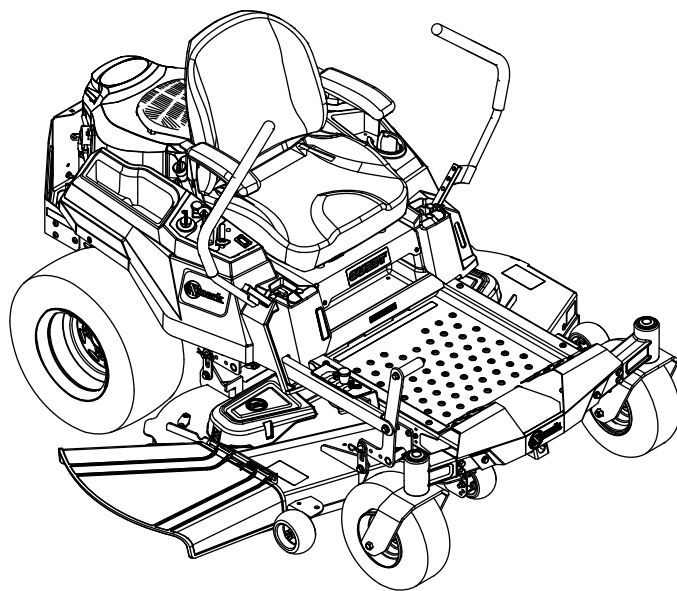




QUEST®

Model No. QZS735GKC54200—Serial No. 411294212 and Up

Picture below may not reflect actual product.



Parts Manual

Ordering Replacement Parts

To order replacement parts, please supply the part number, the quantity, and the description of each part desired.

Understanding Reference Numbers

Each identified part in an illustration has a reference number. The reference number for a part also appears in the parts list, along with other information about the part.

This catalog uses two special reference number formats, one to indicate parts in a service assembly and another to indicate the quantity of a given part in an illustration.

Service Assembly Reference Numbers

Parts in service assemblies have reference numbers in the form a:b. The a represents the reference number of the entire service assembly and the b represents a sequential number unique to each part within the service assembly.

For example, a wheel assembly might be identified by reference number 6, the tire by 6:1, the valve by 6:2, and the wheel by 6:3. When you order the assembly identified by reference number 6, you receive all parts identified by reference numbers 6:1, 6:2, and 6:3. However, you may also order any part individually. Reference numbers of this type appear in illustration and in parts lists.

Reference Numbers Indicating Quantity

In an illustration, if a reference number indicates more than one part, the reference number has the form nX y. The n represents the quantity of the part, the X is the multiplication symbol, and the y represents the reference number.

For example, in an illustration, the reference number 2X 37 means that two of the parts identified by reference number 37 are indicated.

Touch Up Paint

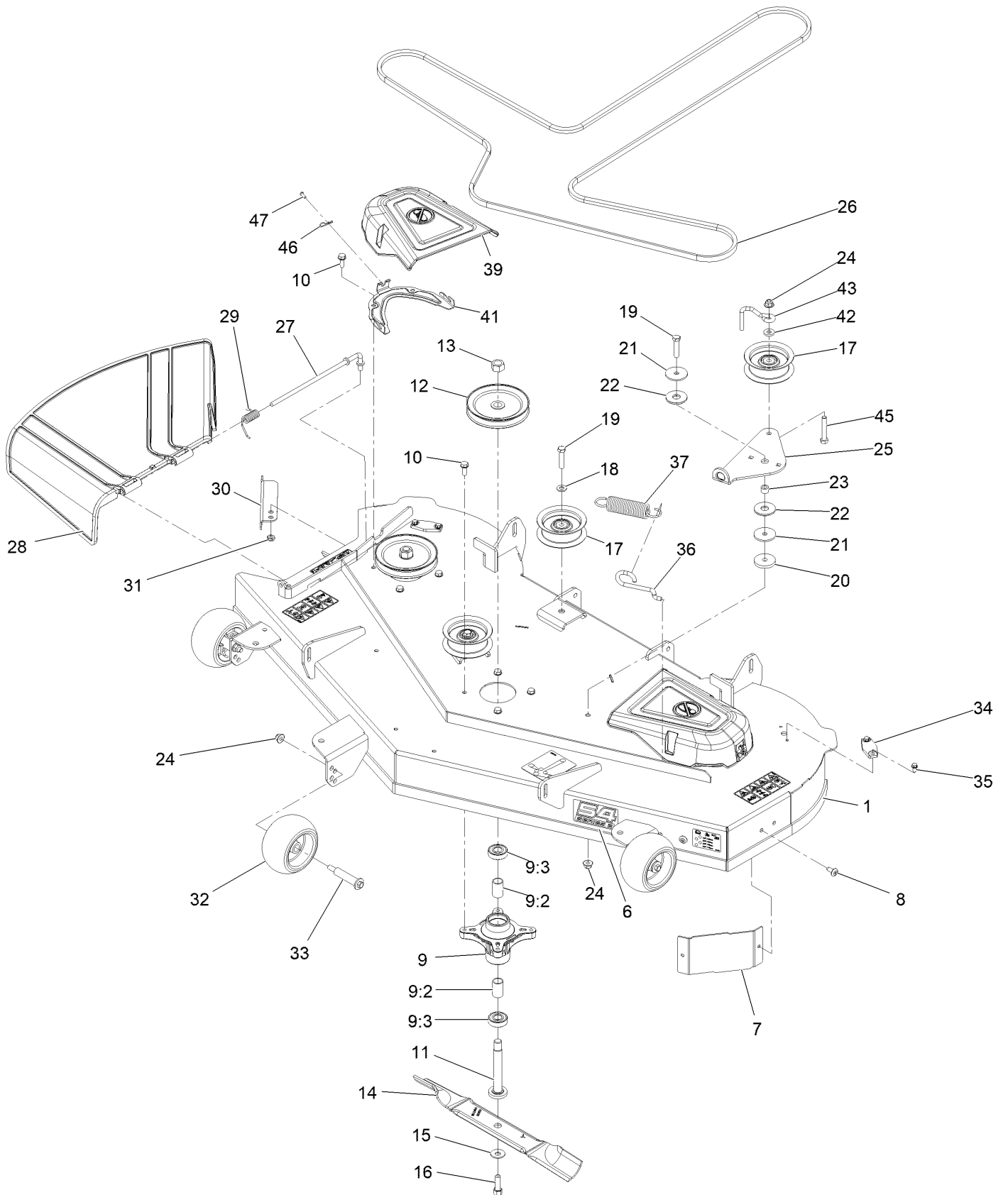
Exmark black touch up spray paint – gloss black.

Exmark red touch up paint (spray paint – P/N 1-850337 - .6 oz liquid bottle – P/N 103-9140).

Contents

Deck Assembly	4
Deck W/Decals Assembly	6
Main Frame Assembly	8
Main Frame W/Decals Assembly	10
Deck Lift Assembly	12
Caster Tire Assembly	14
Rear Tire Assembly	16
Brake Assembly	18
Seat Assembly	20
Seat Assembly (cont.)	22
Motion Control Assembly	24
Fuel Assembly	26
Engine Assembly	28
Clutch Assembly	30
Traction Drive Assembly	32
Electrical Assembly	34

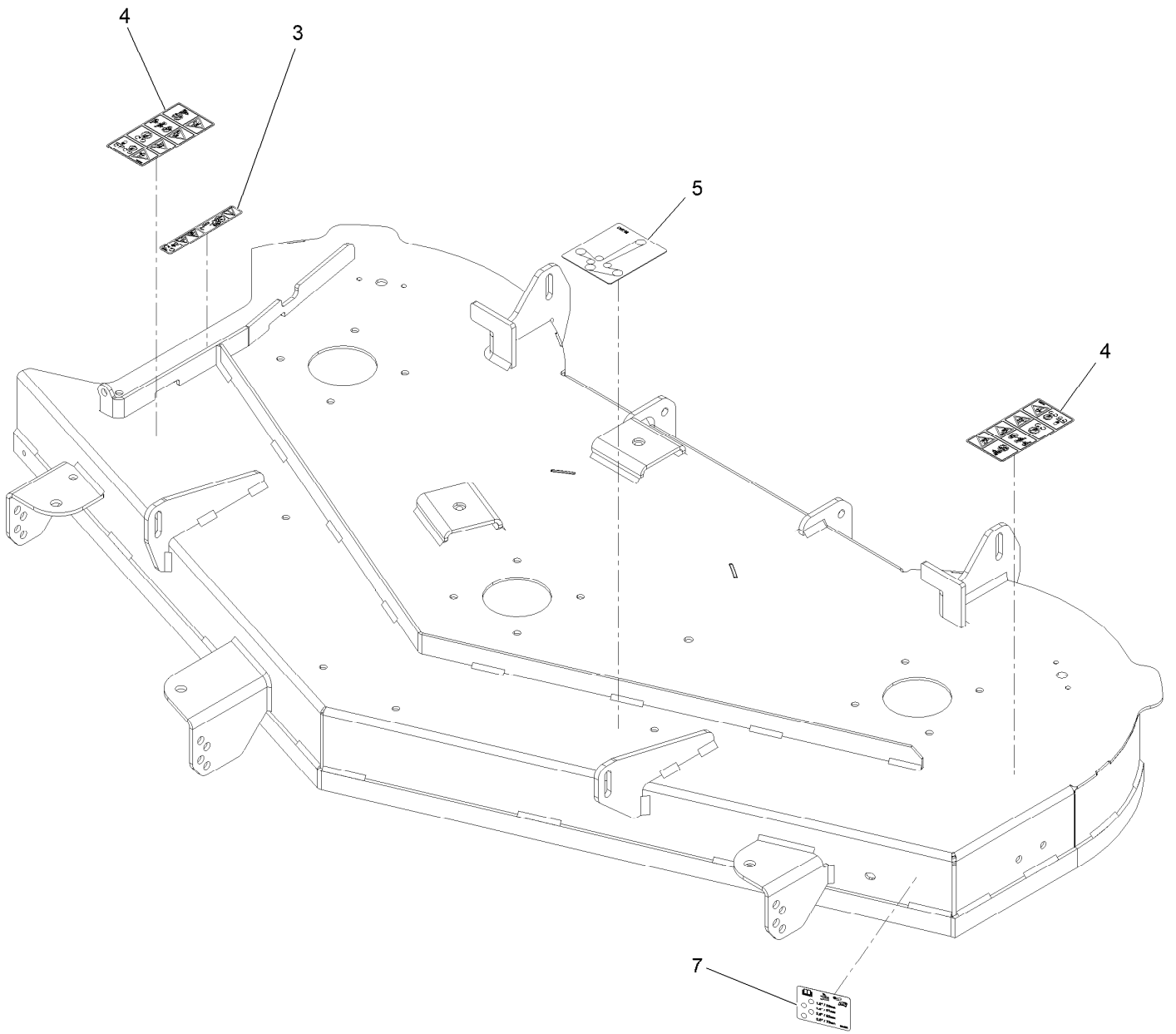
Deck Assembly



Deck Assembly (continued)

<i>Ref.</i>	<i>Part Number</i>	<i>Qty.</i>	<i>Description</i>	<i>Ref.</i>	<i>Part Number</i>	<i>Qty.</i>	<i>Description</i>
1	144-5289	1	Deck ASM-54 4Pt	24	104-8301	5	Nut-Nyloc 3/8-16 Flg
6	142-5863	1	Decal-54 Series 2	25	138-7262	1	Arm-Idler
7	139-2448-03	1	Baffle-Corner	26	130-0843	1	Belt-V
8	138-9753	2	Screw	27	137-2019	1	Rod-Pivot
9	139-3214	3	Spindle ASM	28	138-7502	1	Deflector-Discharge
9:2	120-7935	2	Spacer	29	138-7268	1	Spring-Torsion
9:3	138-9770	2	Bearing-Ball	30	138-9800-03	1	Baffle-Cutoff
10	32144-41	12	Screw-HWH 3/8-16 X 7/8 Taptite	31	3296-59	1	Nut-Nyloc 3/8-16 Thin
11	117-7268	3	Shaft-Spindle	32	1-603299	3	Roller-Scalp, Anti
12	138-7261	3	Pulley ASM	33	112-3977	3	Bolt-HH Shoulder 3/8-16 X 3.79
13	3219-6	3	Nut-Hex 5/8-18	34	136-4171	2	Cover-Washout Port
14	115-2454-03	3	Blade-Hi Lift	35	32144-4	4	Screw-HWH 1/4-20 X 1/2 Taptite
15	3290-465	3	Washer-Spring Disc	36	138-7266	1	Spring-Return, Hook
16	26-0671	3	Screw-HH 7/16-20 X 1.36 Gr8	37	138-7264	1	Spring-Extension
17	132-9420	3	Pulley-Idler, Flat	39	144-1906	2	Cover-Belt
18	3256-24	2	Washer-3/8 SAE	41	139-3272-03	2	Bracket-Cover, Belt
19	323-9	3	Screw-HH 3/8-16 X 1 3/4	42	138-7207	1	Spacer-Hub, Blower
20	110-9981	1	Washer-Plain	43	138-7270	1	Guide-Belt, Idler
21	63-7400	2	Washer-Rebound	45	323-11	1	Screw-HH 3/8-16 X 2 1/4
22	114-0463	2	Washer-Friction, Composite	46	144-1944	2	Pin-Hair
23	115-4986	1	Spacer	47	94-6961	2	Screw

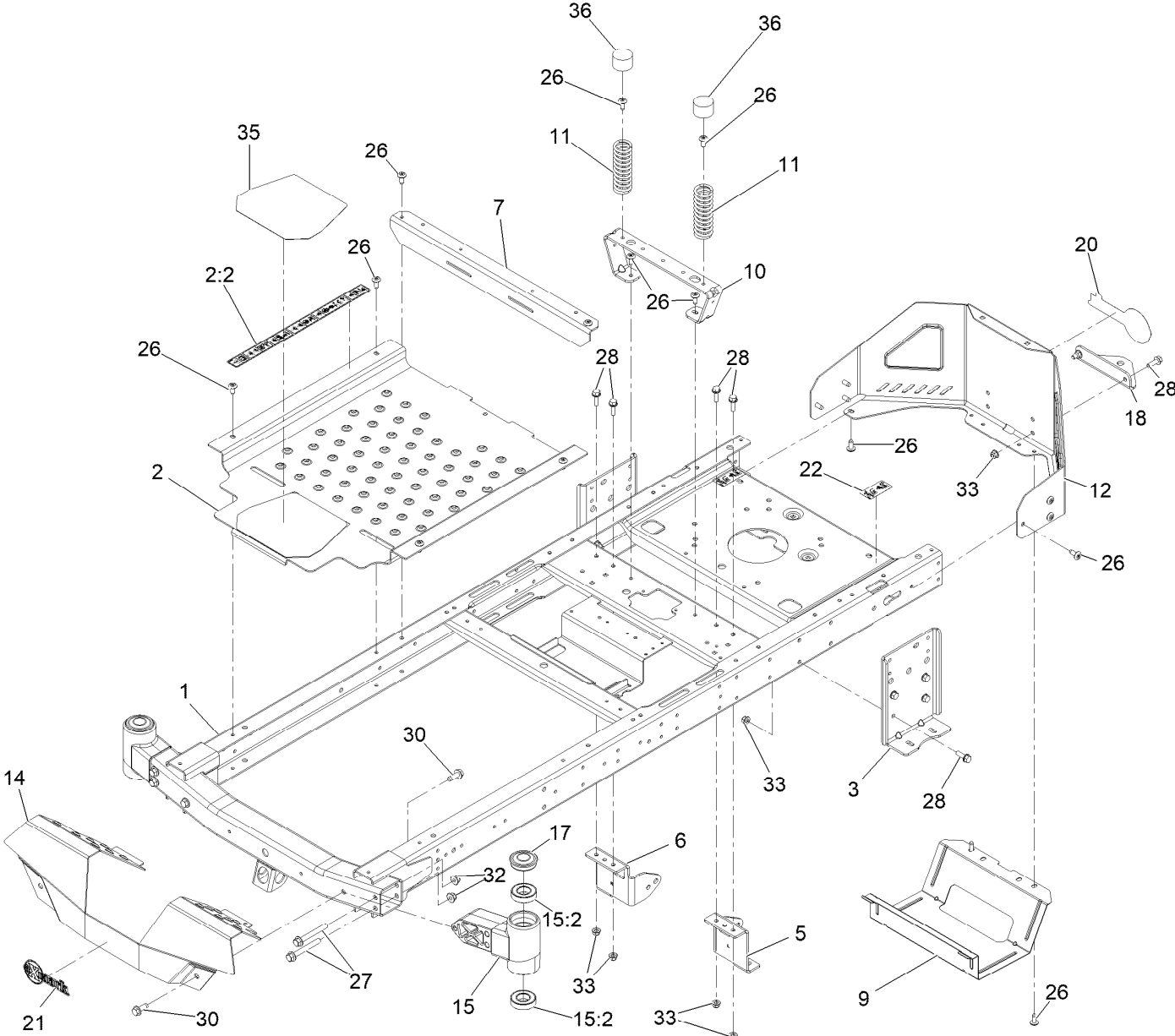
Deck W/Decals Assembly



Deck W/Decals Assembly (continued)

<i>Ref.</i>	<i>Part Number</i>	<i>Qty.</i>	<i>Description</i>	<i>Ref.</i>	<i>Part Number</i>	<i>Qty.</i>	<i>Description</i>
3	93-7009	1	Decal-Danger	5	99-3943	1	Decal-Routing, Belt
4	132-0872	2	Decal-Danger, Deck	7	112-9840	1	Decal-Scalp, Anti

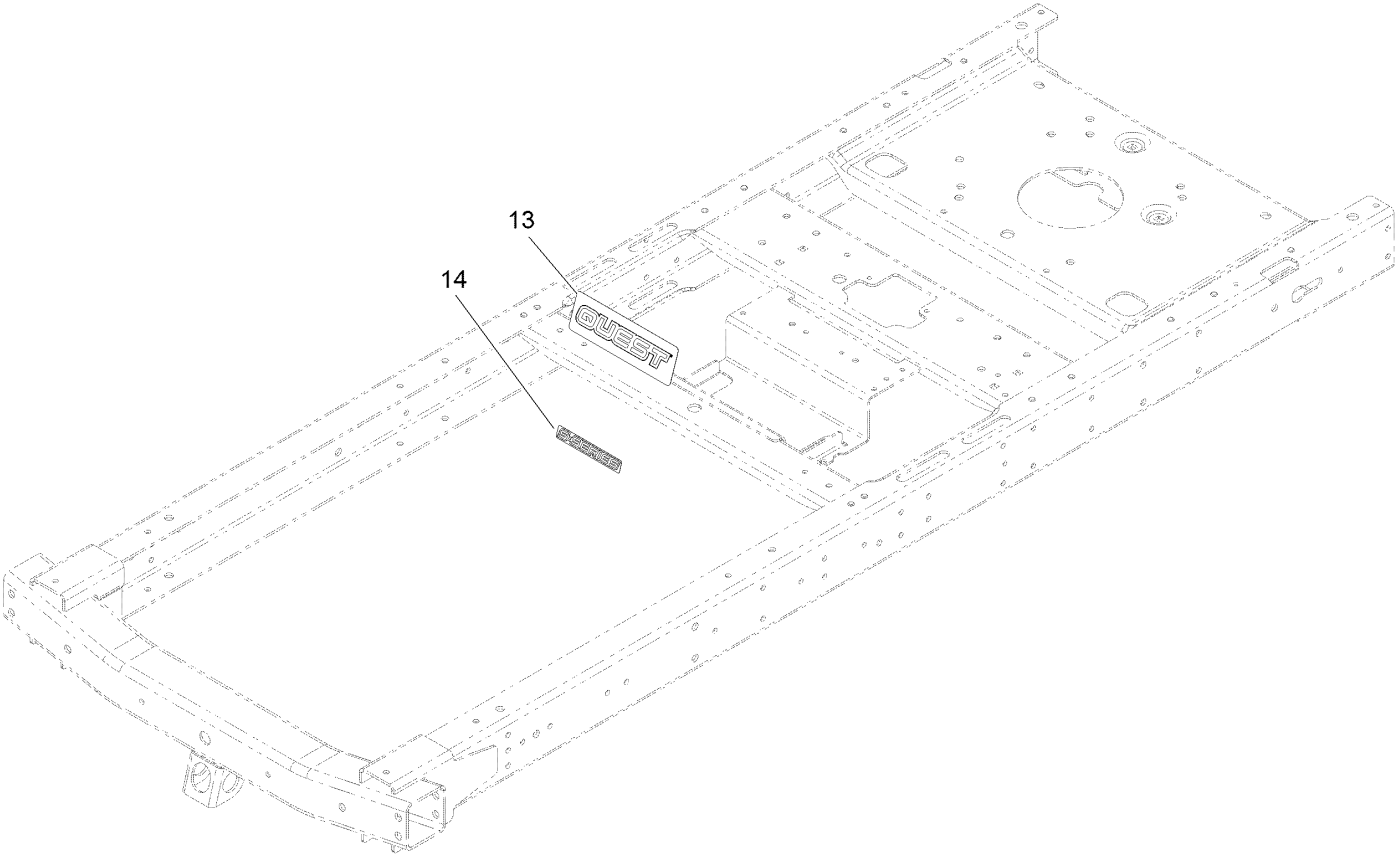
Main Frame Assembly



Main Frame Assembly (continued)

<i>Ref.</i>	<i>Part Number</i>	<i>Qty.</i>	<i>Description</i>	<i>Ref.</i>	<i>Part Number</i>	<i>Qty.</i>	<i>Description</i>
1	137-9820-05	1	Frame ASM - Riveted/Welded	17	138-7200	2	Cap-Grease
2	144-1927	1	Pan-Floor ASM	18	117-1232-03	1	Bracket-Hitch
2:2	144-5288	1	Decal-Warning	20	142-5858	1	Decal-Exmark Logo
3	138-7520-01	2	Plate-Mount, Hydro	21	142-5841	1	Decal-Exmark Logo
5	137-7020-01	1	Mount-Hydro, Front (Right)	22	142-5854	2	Decal-Bypass
6	139-3211-01	1	Mount-Hydro, Front (Left)	26	138-9753	20	Screw-Button Head 5/16-18 X 3/4 Tf
7	138-9791-05	1	Brace-Cross	27	139-2429	4	Screw-HHF 3/8-16 X 3
9	138-0867-03	1	Guard-Muffler	28	3234-29	14	Screw-HH Flg 5/16-18 X 1
10	138-6036-03	1	Support-Seat	30	139-2428	4	Screw-HWH
11	138-2548	2	Spring-Compression	32	139-2430	4	Nut-HF, NI
12	138-9820-05	1	Guard-Engine	33	104-8300	14	Nut-Nyloc 5/16-18 Flg
14	138-9827-01	1	Footrest	35	139-3220	1	Tread-Step
15	142-5809	2	Axle-Stub	36	701178	2	Cap-Protector
15:2	109-3678	2	Bearing-Ball				

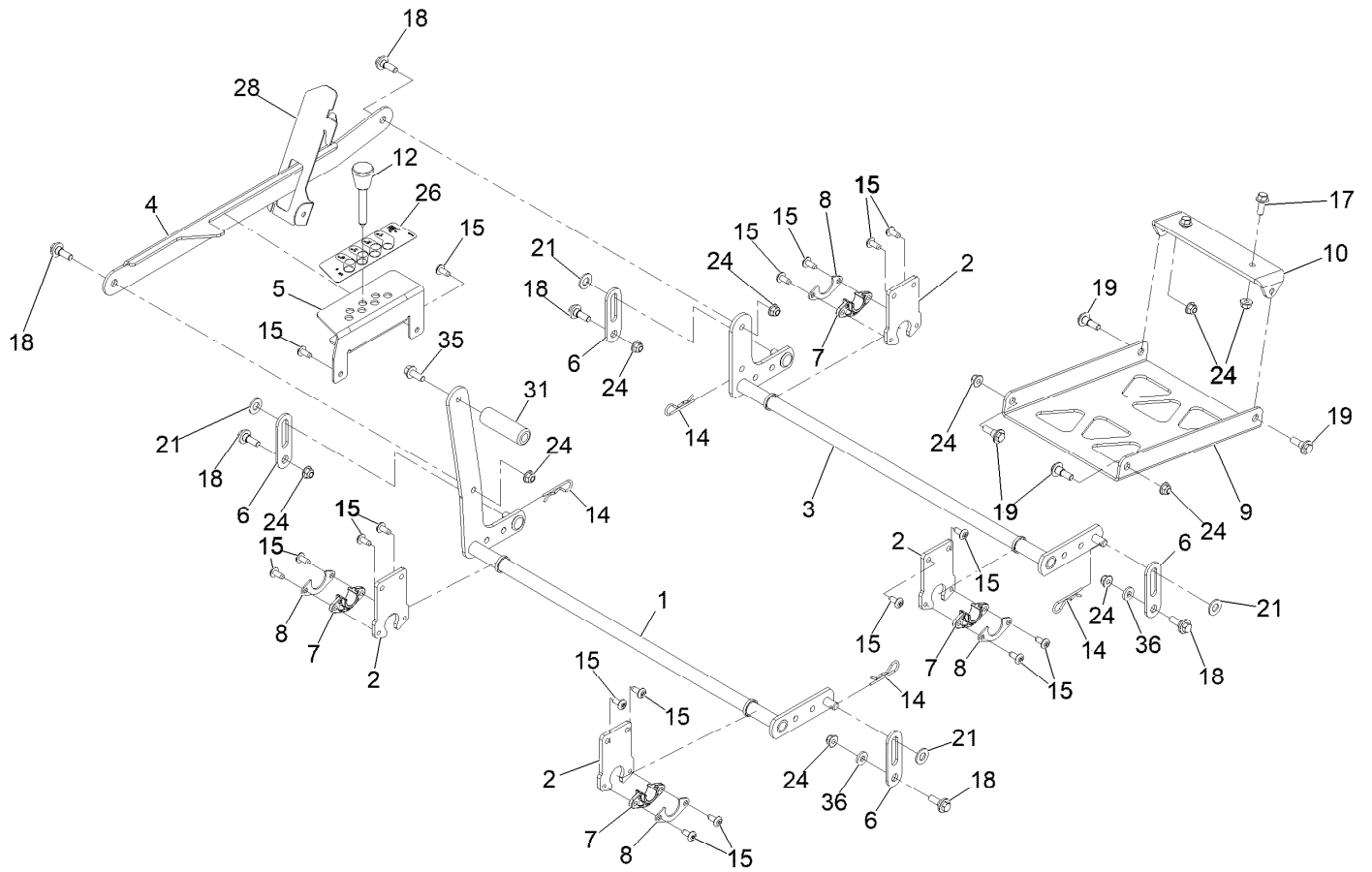
Main Frame W/Decals Assembly



Main Frame W/Decals Assembly (continued)

<i>Ref.</i>	<i>Part Number</i>	<i>Qty.</i>	<i>Description</i>
13	142-4906	1	Decal-Quest Logo
14	142-5834	1	Decal-S-Series

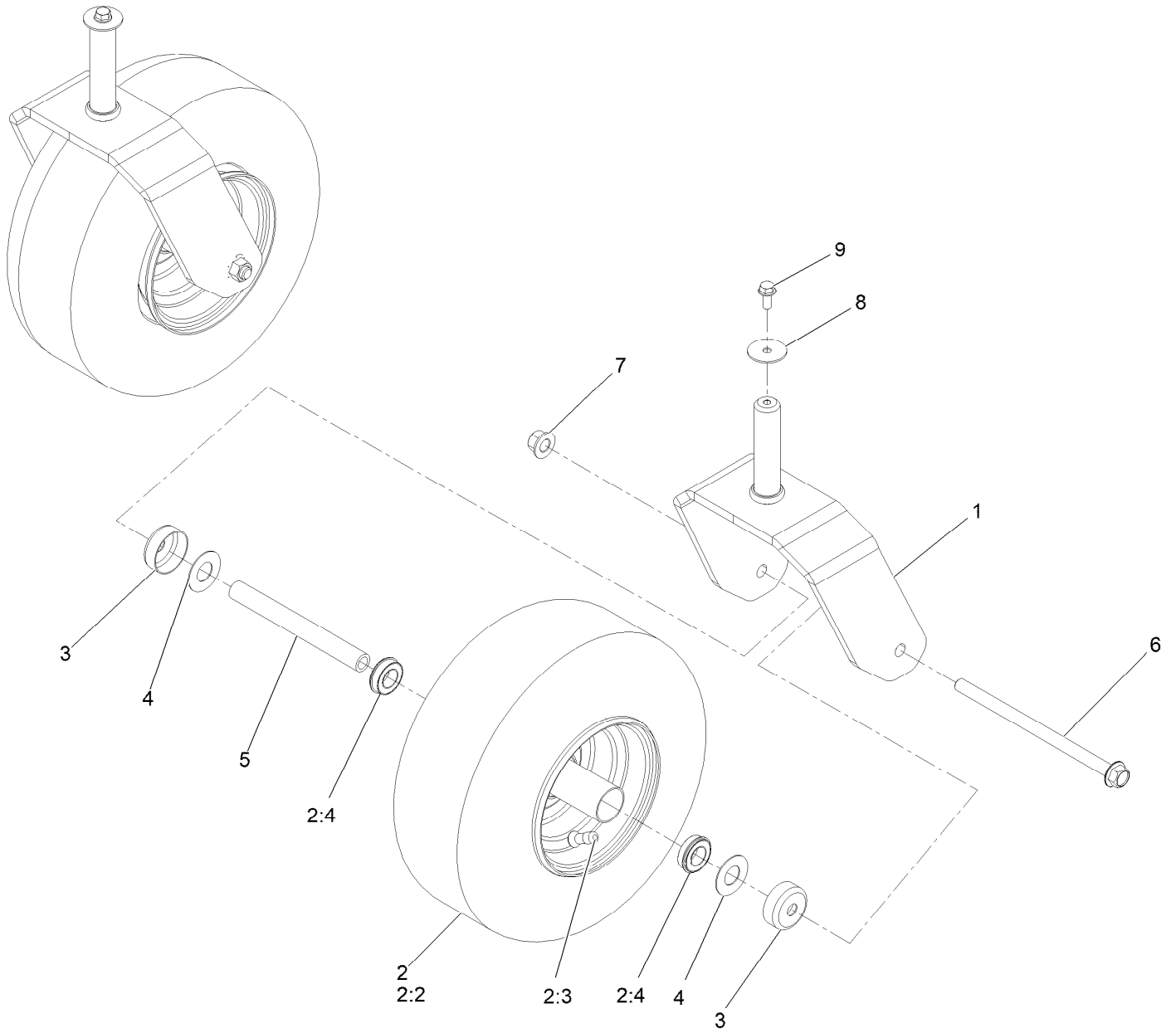
Deck Lift Assembly



Deck Lift Assembly (continued)

<i>Ref.</i>	<i>Part Number</i>	<i>Qty.</i>	<i>Description</i>	<i>Ref.</i>	<i>Part Number</i>	<i>Qty.</i>	<i>Description</i>
1	138-2503-03	1	Pivot Front ASM	15	138-9753	18	Screw
2	138-9804-03	4	Support-Cross, Shaft	17	3234-42	2	Screw HHF 3/8-16 X 1
3	138-2504-03	1	Rear Pivot ASM	18	137-9847	6	Screw-Shoulder
4	137-5091-03	1	Link-HOC	19	109-9840	4	Screw-Hex Flange 3/8-16 X .80
5	137-5092-03	1	Bracket-HOC	21	3256-26	4	Washer-1/2 SAE
6	137-7001-03	4	Link-Decklift	24	104-8301	12	Nut-Nyloc 3/8-16 Flg
7	139-5872	4	Bearing-Flange	26	139-5892	1	Decal-HOC
8	138-7204	4	Gusset-Deck Lift	28	139-5804-03	1	Bracket-HOC
9	139-2435-03	1	Pan-Deck Pivot	31	139-7452	1	Pedal-Foot Lift
10	139-2405-03	1	Mount - Pan	35	139-2597	1	Screw-HHF
12	140-2146	1	HOC Pin ASM	36	43-0940	4	Spacer
14	1-806005	4	Hairpin-Cotter				

Caster Tire Assembly

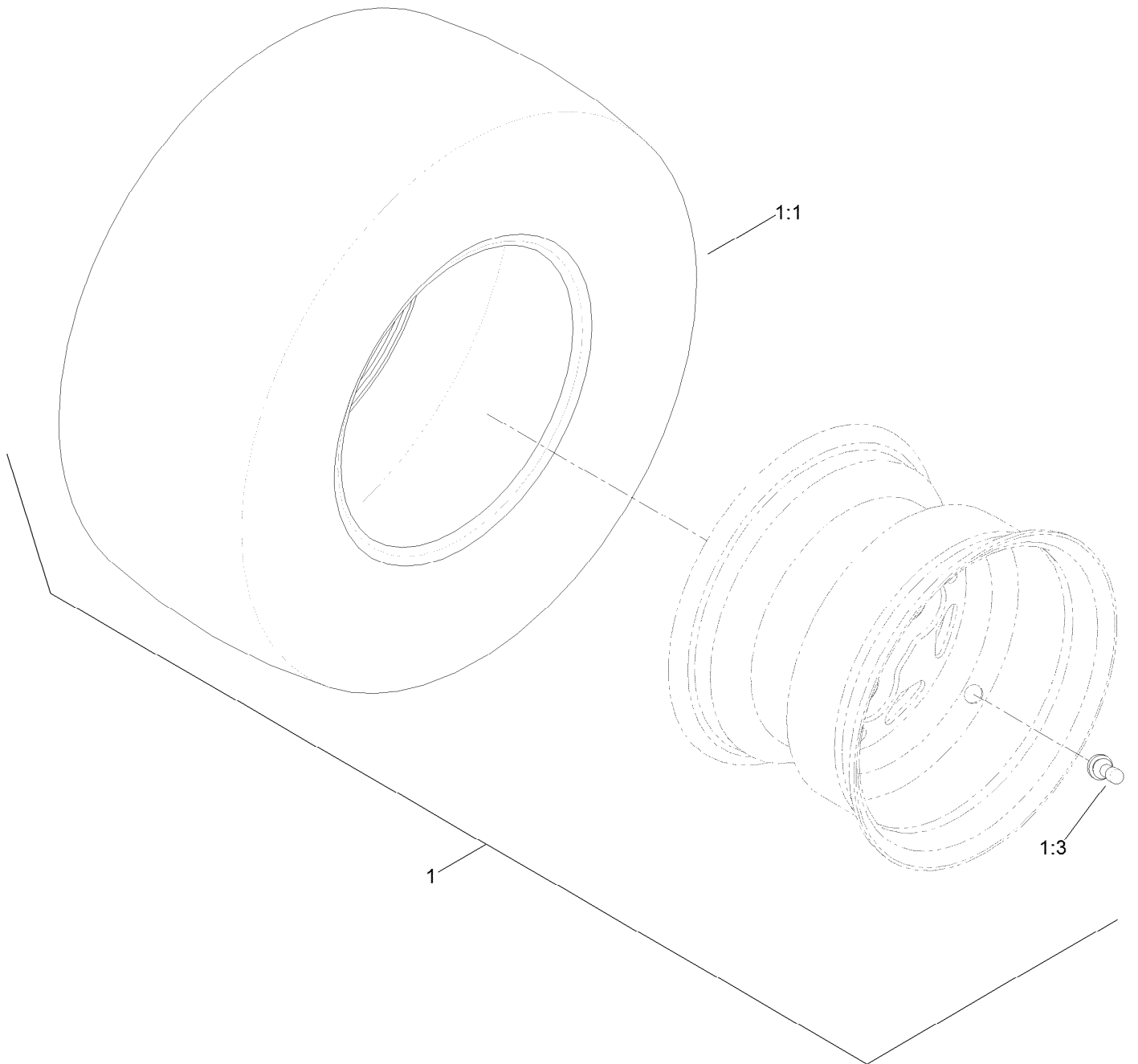


Caster Tire Assembly (continued)

<i>Ref.</i>	<i>Part Number</i>	<i>Qty.</i>	<i>Description</i>	<i>Ref.</i>	<i>Part Number</i>	<i>Qty.</i>	<i>Description</i>
1	133-4375-01	2	Fork ASM	4	136-5590	4	Washer
2	133-4427	2	Tire And Wheel ASM	5	133-4487	2	Spanner-Wheel
2:2	125-5581	1	Tire	6	126-5389	2	Screw-HHF
2:3	232-27	1	Stem-Valve	7	99-5107	2	Nut-Lock 1/2-13
2:4	136-4190	2	Bearing	8	3256-68	2	Washer-Flat
2:99	232-46	1	Tube-Inner ●	9	3234-47	2	Screw-HH Flg 5/16-18 X 3/4
3	138-7208	4	Guard-Seal				

● Not illustrated

Rear Tire Assembly

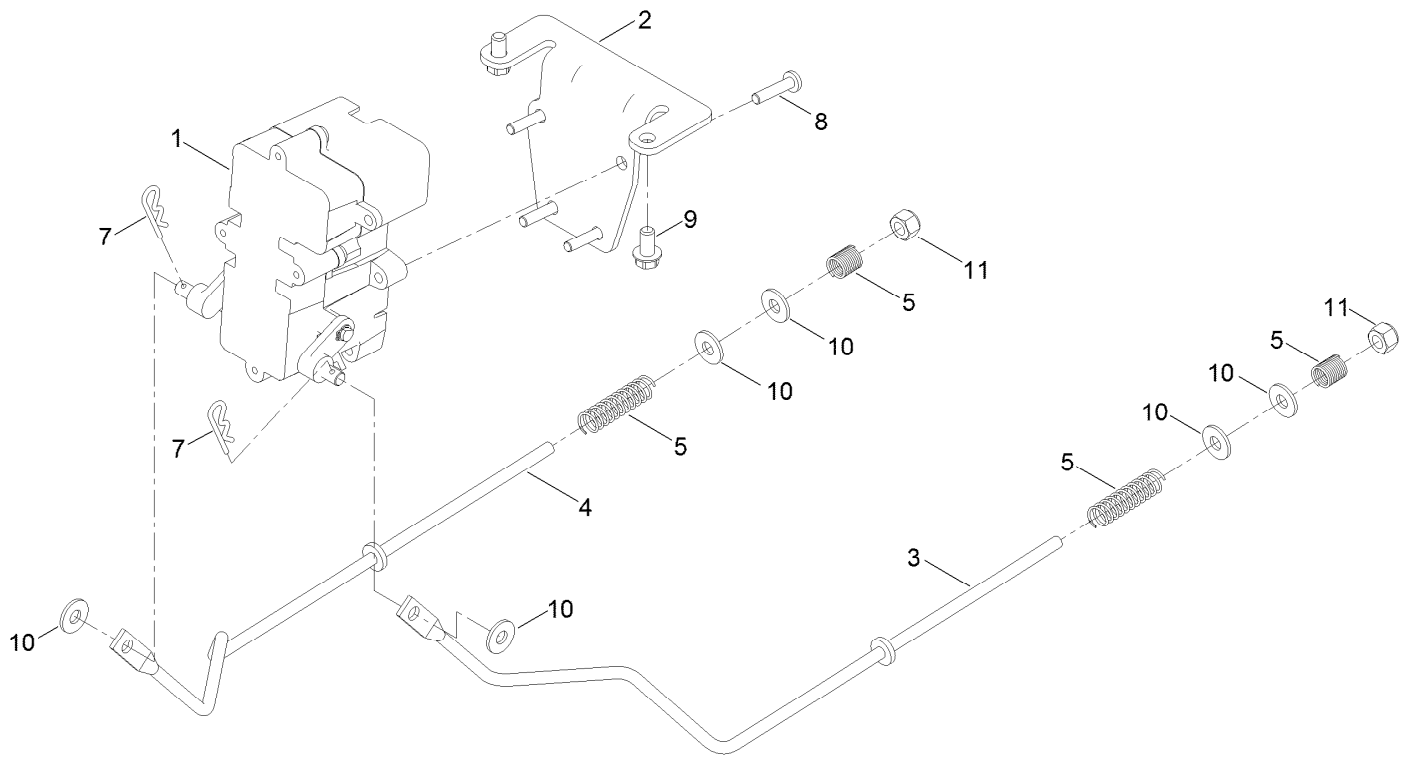


Rear Tire Assembly (continued)

<i>Ref.</i>	<i>Part Number</i>	<i>Qty.</i>	<i>Description</i>	<i>Ref.</i>	<i>Part Number</i>	<i>Qty.</i>	<i>Description</i>
1	133-9278	2	Tire And Wheel ASM	1:3	232-27	1	Stem-Valve
1:1	133-9293	1	Tire	1:99	105-4070	1	Tube-Inner ●

● Not illustrated

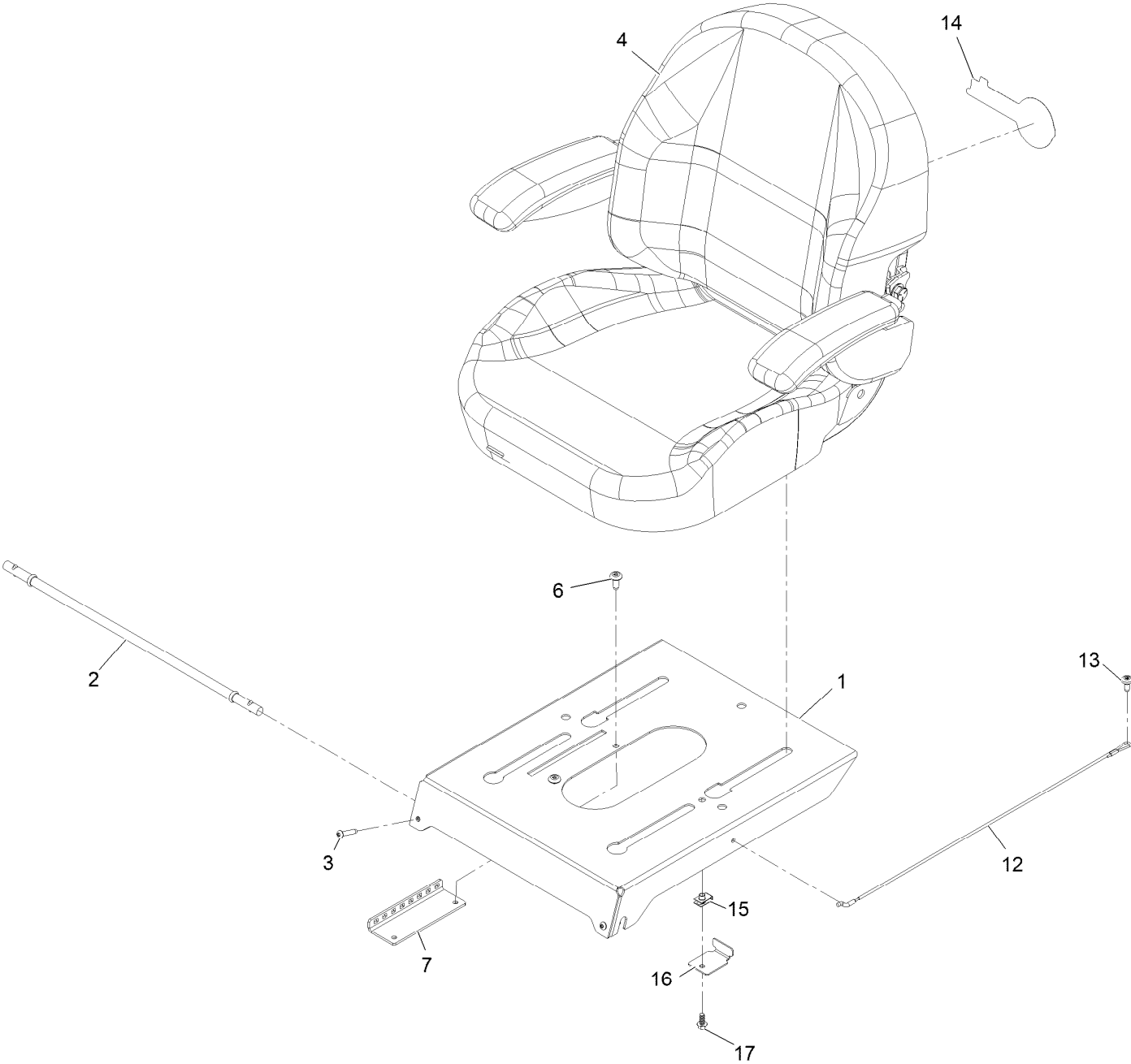
Brake Assembly



Brake Assembly (continued)

<i>Ref.</i>	<i>Part Number</i>	<i>Qty.</i>	<i>Description</i>	<i>Ref.</i>	<i>Part Number</i>	<i>Qty.</i>	<i>Description</i>
1	138-2514	1	Brake Box ASM	7	3290-307	2	Pin-Cotter
2	133-9284-03	1	Bracket-Mount, Brake	8	32144-36	4	Screw-PPH
3	138-2591	1	Rod-Brake, LH	9	32144-4	2	Screw-HWH
4	138-2592	1	Rod-Brake, RH	10	119-8952	6	Washer
5	117-1169	4	Spring-Compression	11	3296-42	2	Nut-Lock, NI

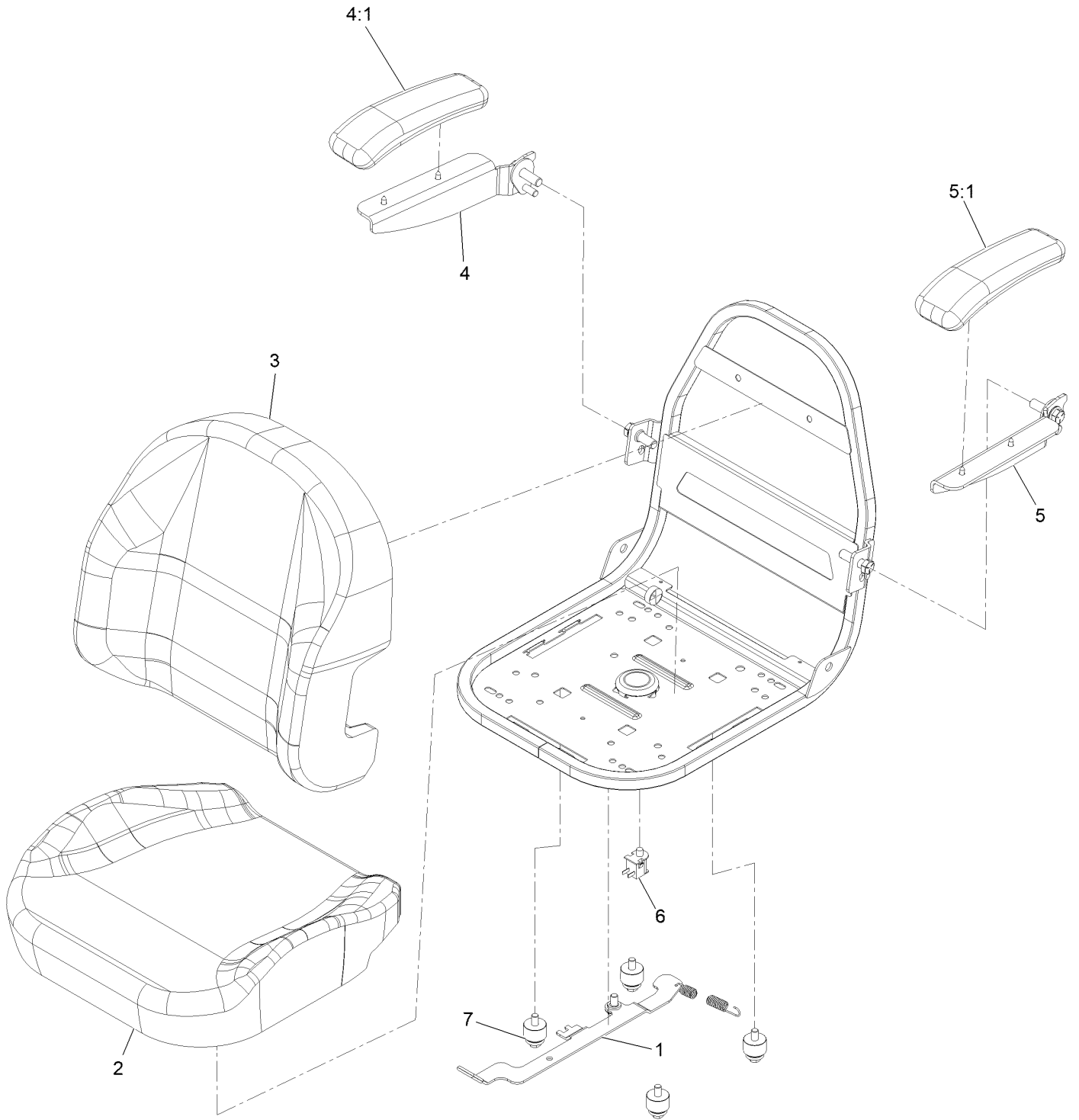
Seat Assembly



Seat Assembly (continued)

<i>Ref.</i>	<i>Part Number</i>	<i>Qty.</i>	<i>Description</i>	<i>Ref.</i>	<i>Part Number</i>	<i>Qty.</i>	<i>Description</i>
1	139-5869-03	1	Pan-Seat	12	139-2398	1	Cable-Lanyard
2	138-7555	1	Rod-Pivot	13	120-7950	1	Screw-1/4-20 X 1/2 Tf Torx Plus
3	108-0035	2	Screw	14	135-3747	1	Decal-Exmark Logo
4	142-8124	1	ASM-Seat Exmark	15	107069	1	Nut-Retainer-Panel 1/4-20
6	138-9753	2	Screw-Button Head 5/16-18 X 3/4 Tf	16	138-7214	1	Bracket-Stop, Seat
7	131-4008-03	1	Bracket-Latch, Seat	17	99-6810	1	Screw-HH 1/4-20 X 5/8

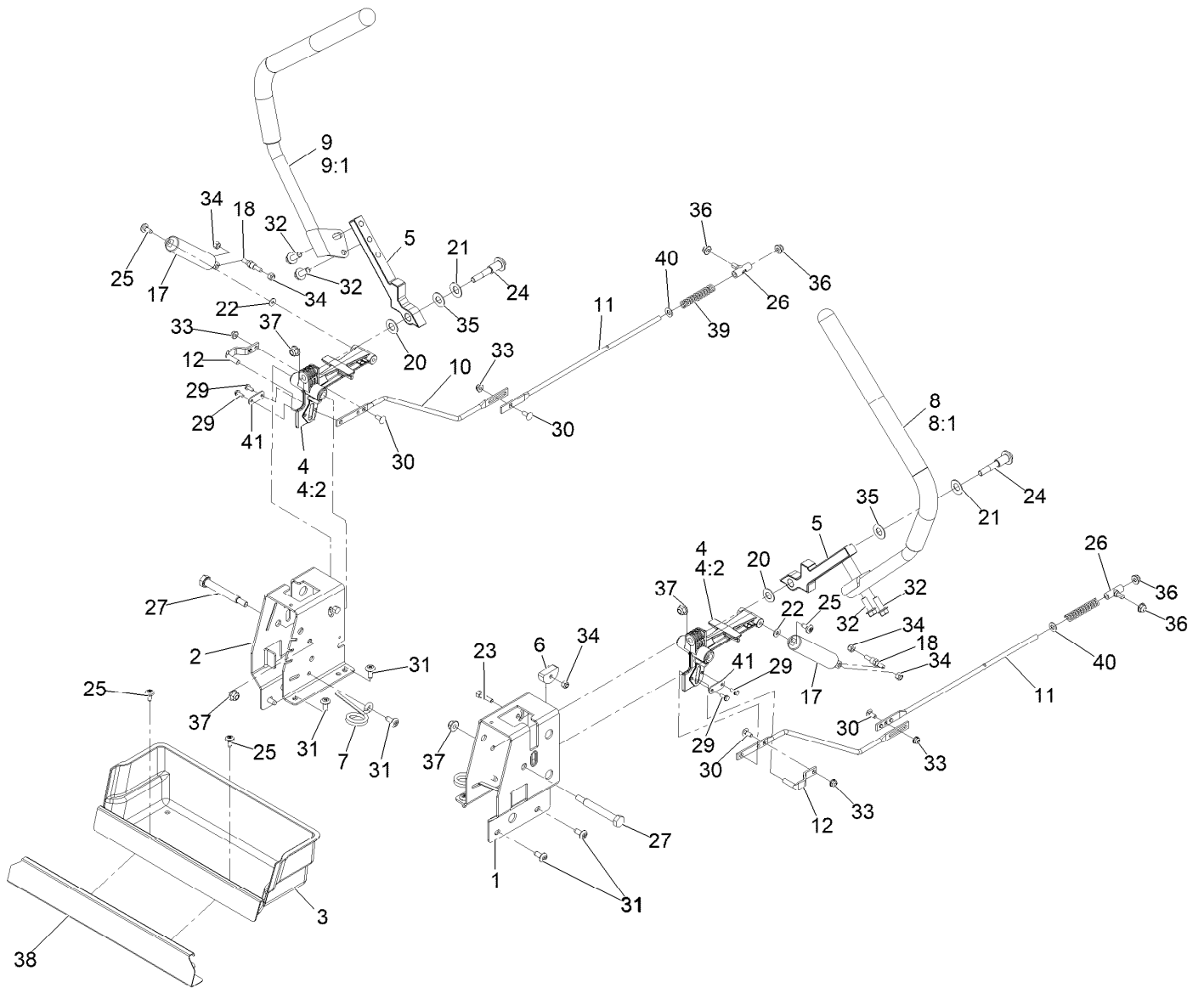
Seat Assembly (cont.)



Seat Assembly (cont.) (continued)

<i>Ref.</i>	<i>Part Number</i>	<i>Qty.</i>	<i>Description</i>	<i>Ref.</i>	<i>Part Number</i>	<i>Qty.</i>	<i>Description</i>
1	131-4153	1	Track ASM	5	121-3660	1	LH Arm Rest Kit
2	142-8311	1	Cushion-Seat Bottom	5:1	110-4163	1	Cushion-Rest, Arm
3	142-8310	1	Cushion-Seat Back Exmark	6	82-2190	1	Switch-Bail
4	121-3658	1	RH Arm Rest Kit	7	131-4154	1	Bushing ASM
4:1	110-4163	1	Cushion-Rest, Arm				

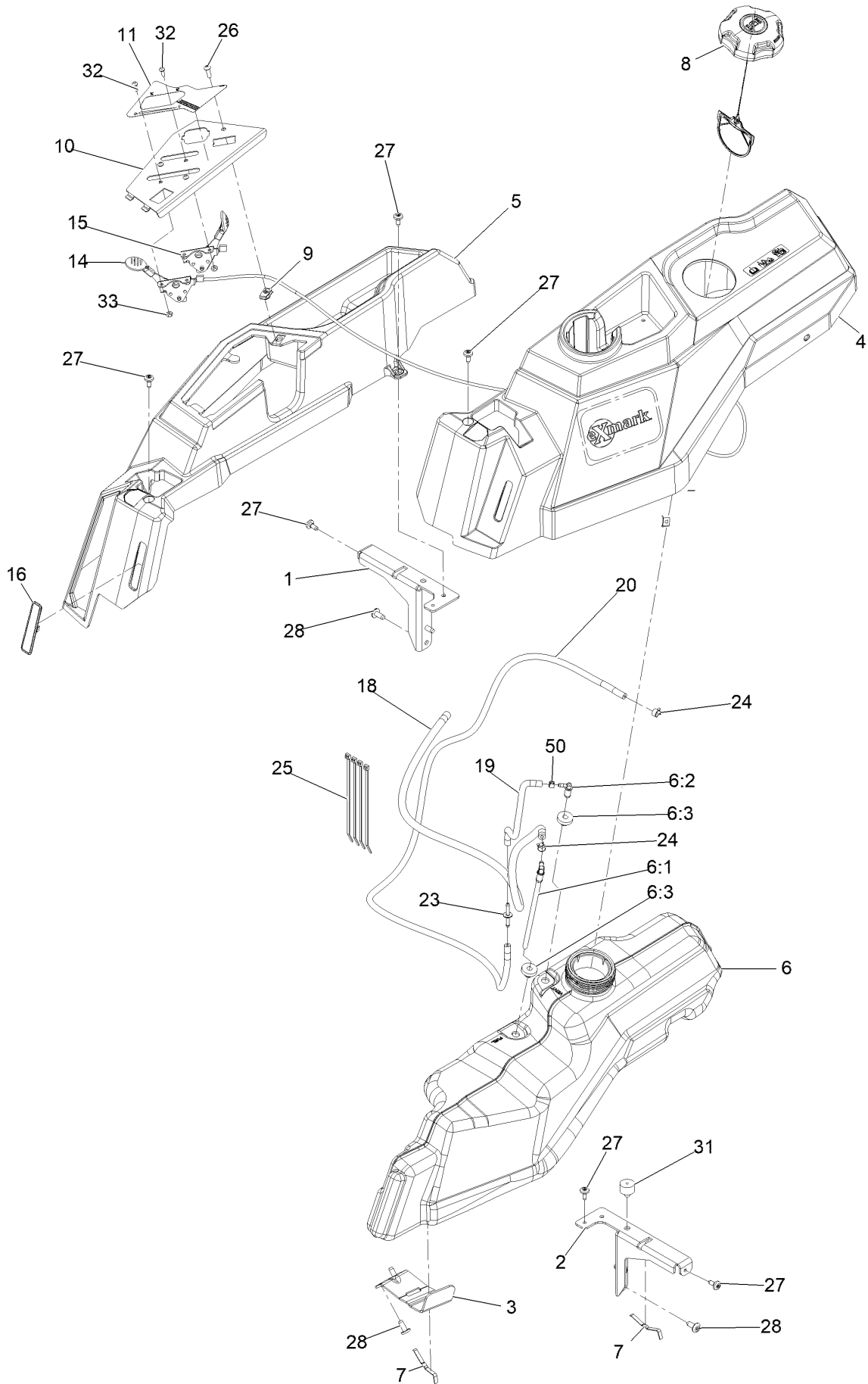
Motion Control Assembly



Motion Control Assembly (continued)

<i>Ref.</i>	<i>Part Number</i>	<i>Qty.</i>	<i>Description</i>	<i>Ref.</i>	<i>Part Number</i>	<i>Qty.</i>	<i>Description</i>
1	138-7598-03	1	Plate-Control Box, LH	23	139-5811	2	Bolt-Pivot, Eccentric
2	138-7599-03	1	Plate-Control Box, RH	24	117-1198	2	Bolt-Pivot
3	144-1960	1	Box, Storage	25	120-7950	4	Screw-1/4-20 X 1/2 Tf Torx Plus
4	119-3470	2	Actuator Arm ASM	26	138-7218	2	Mount-Rod, Hydro
4:2	256-156	2	Bushing-Flange	27	115-5099	2	Bolt-Pivot
5	133-9299-05	2	Arm-Control	29	32144-1	4	Screw-HWH #10-24 X 1/2 Taptite
6	139-5803	2	Eccentric	30	3229-11	4	Bolt-Carriage 1/4-20 X 5/8
7	138-7539	2	Spring-Torsion	31	138-9753	10	Screw
8	133-7055	1	Handle-Control, LH	32	3234-42	4	Screw HHF 3/8-16 X 1
8:1	121-0726	1	Grip	33	104-7201	4	Nut-Nyloc 1/4-20 Flg
9	133-7057	1	Handle-Control, RH	34	3296-42	6	Nut-Nyloc 1/4-20
9:1	121-0726	1	Grip	35	117-1240	2	Washer
10	138-2580	2	Rod-Hydro, Front	36	119-4041	2	Nut-HF
11	144-1818	2	Rod-Hydro, Rear	37	104-8301	4	Nut-Nyloc 3/8-16 Flg
12	121-1753	2	Pin-Rod, Hydro	38	139-3280-05	1	Plate-Kick
17	132-6853	2	Damper-Non Cavitating	39	138-7252	2	Spring-Compression
18	138-7215	2	Stud-Damper	40	120-9683	2	Washer-Plain
20	120-2273	2	Washer-Nylon	41	119-8948	2	Plate-Stop, Hydro
21	119-8925	2	Washer-Belleville				
22	119-8952	2	Washer				

Fuel Assembly

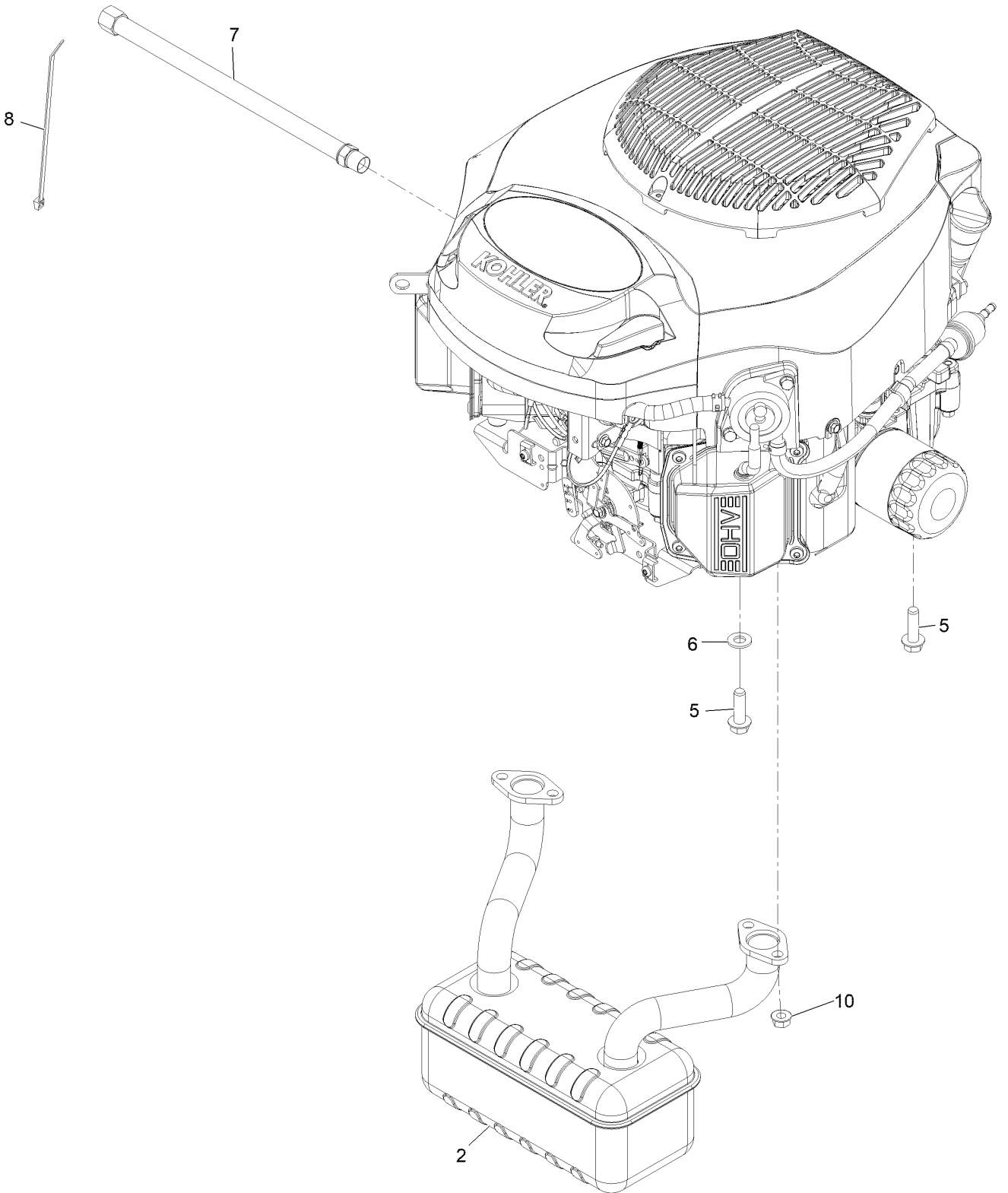


Fuel Assembly (continued)

<i>Ref.</i>	<i>Part Number</i>	<i>Qty.</i>	<i>Description</i>	<i>Ref.</i>	<i>Part Number</i>	<i>Qty.</i>	<i>Description</i>
1	138-6070-03	1	Support-Pod, RH	18	110-5702	1	Hose-Fuel
2	138-6071-03	1	Support-Pod, LH	19	136-6345	1	Hose-Fuel
3	139-3271-03	1	Support-Tank, Fuel	20	132-0918	1	Hose-Fuel
4	142-4191	1	Pod- LH	23	144-1983	1	Adapter Orifice
5	142-4192	1	Pod- RH	24	2412-98	2	Clamp-Hose
6	144-5304	1	Tank-Fuel ASM	25	614249	5	Tie-Cable
6:1	139-1091	1	Connector-Elbow, 90 DEG	26	3258-166	1	Screw-PPH 1/4-20 X 3/4
6:2	144-5302	1	Fitting-Elbow 90	27	120-7950	6	Screw-1/4-20 X 1/2 Tf Torx Plus
6:3	46-6560	2	Bushing	28	138-9753	6	Screw-Button Head 5/16-18 X 3/4 Tf
7	609830	2	Spring	31	120-7893	1	Bumper-Grommet
8	137-4119	1	Cap-Fuel, Ratcheting	32	3250-12	4	Screw-PPH #10-24 X 1/2
9	107069	1	Nut-Retainer-Panel 1/4-20	33	3296-2	4	Nut-Nyloc #10-24
10	142-4193-03	1	Panel- Control	49	32180-418	1	Clip-Harness ●
11	142-5862	1	Decal-Control Panel	50	2412-80	1	Clamp-Hose
14	116-0969	1	ASM,Throttle Cable				
15	126-6945	1	Cable-Control, Choke				
16	142-4296	1	Plug-Sc				

● Not illustrated

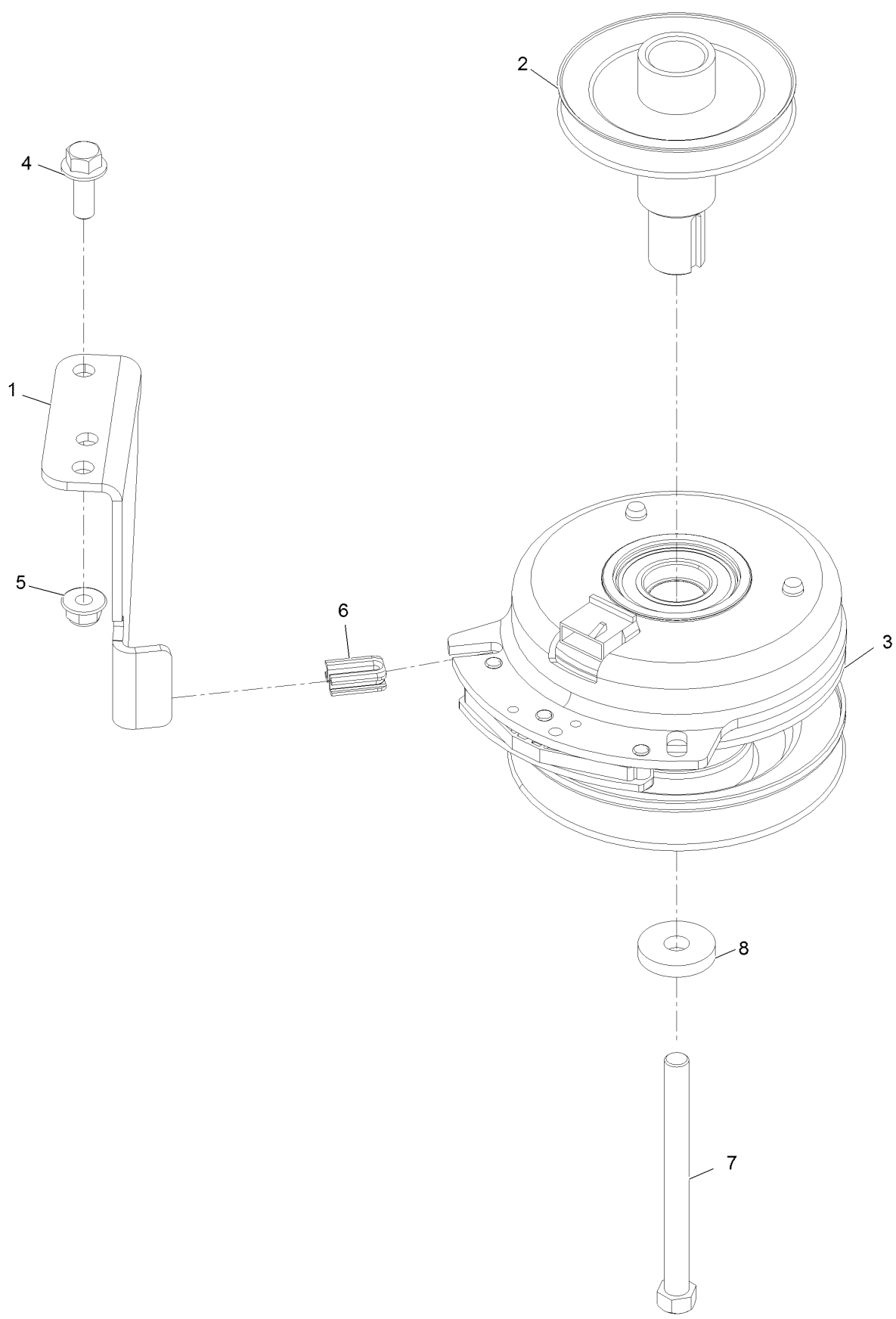
Engine Assembly



Engine Assembly (continued)

<i>Ref.</i>	<i>Part Number</i>	<i>Qty.</i>	<i>Description</i>	<i>Ref.</i>	<i>Part Number</i>	<i>Qty.</i>	<i>Description</i>
2	139-5868	1	Muffler	7	117-1261	1	Hose-Drain, Oil
5	32144-109	4	Screw-HWH 3/8-16 X 1 1/4 Taptite	8	614249	1	Tie-Cable
6	3256-24	3	Washer-3/8 SAE	10	33004-00	4	Nut-Hex M8-1.25

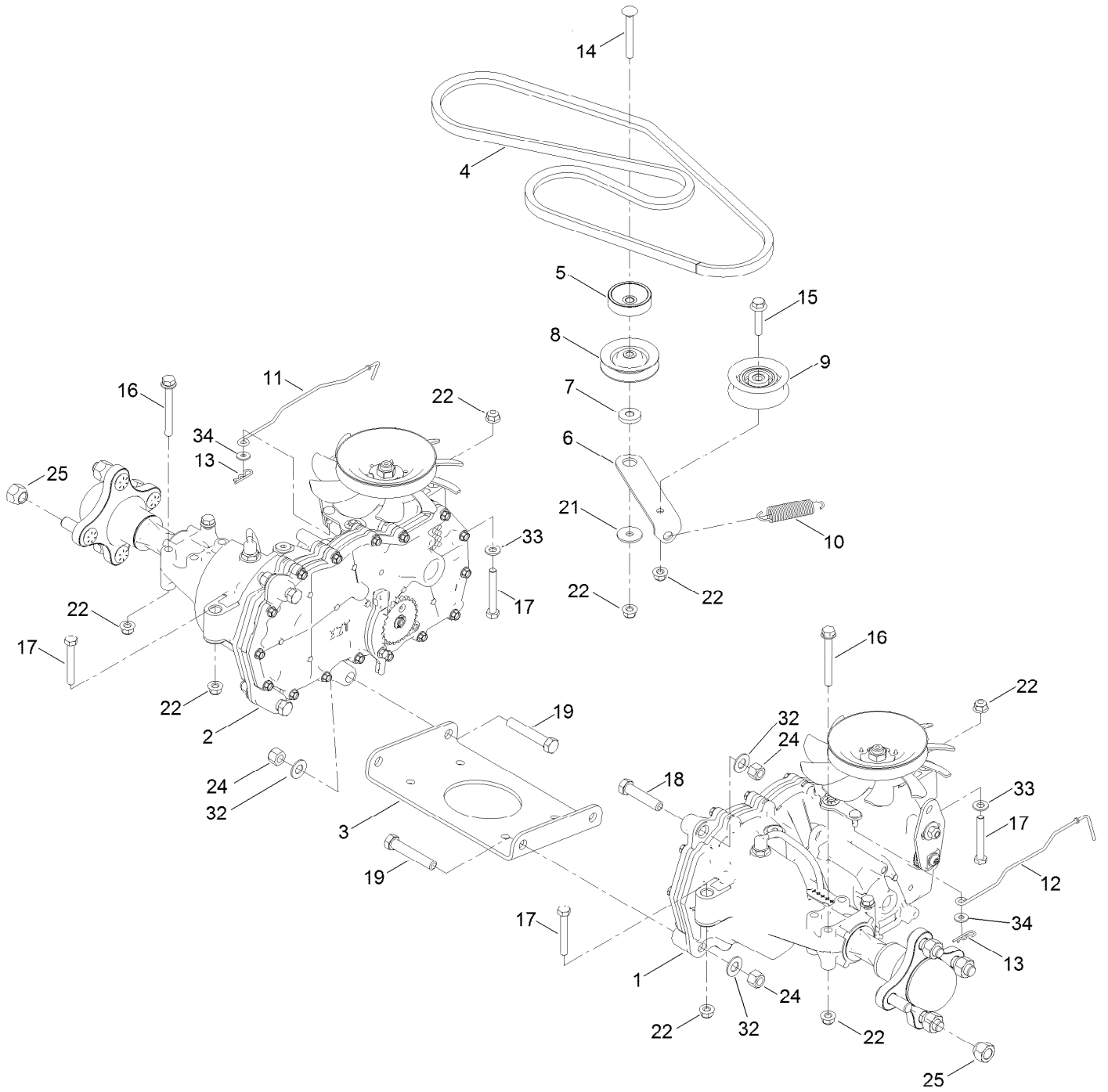
Clutch Assembly



Clutch Assembly (continued)

<i>Ref.</i>	<i>Part Number</i>	<i>Qty.</i>	<i>Description</i>	<i>Ref.</i>	<i>Part Number</i>	<i>Qty.</i>	<i>Description</i>
1	137-7000	1	Stop-Clutch (Wide)	5	104-8301	1	Nut-HF, NI
2	138-9792	1	Pulley-Engine	6	120-2217	1	Isolator-Clutch
3	127-3410	1	Clutch-PTO	7	3212-19	1	Screw-HH
4	3234-42	1	Screw-HHF	8	112843	1	Washer

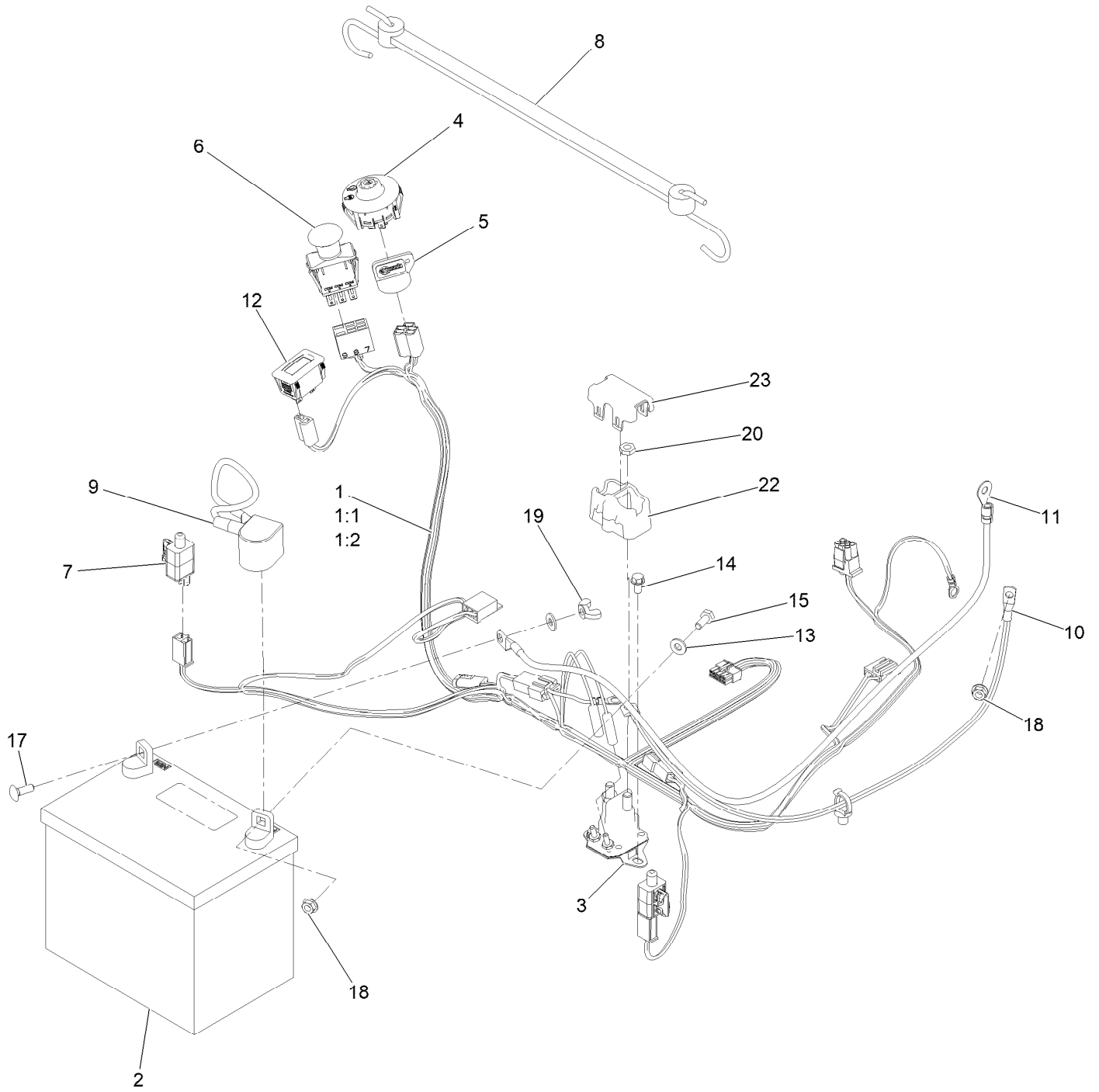
Traction Drive Assembly



Traction Drive Assembly (continued)

<i>Ref.</i>	<i>Part Number</i>	<i>Qty.</i>	<i>Description</i>	<i>Ref.</i>	<i>Part Number</i>	<i>Qty.</i>	<i>Description</i>
1	139-7470	1	LH Hydro Transaxle ASM	14	3230-8	1	Screw-CARR
2	139-7471	1	RH Hydro Transaxle ASM	15	115-1794	1	Screw-HHF
3	138-2571-03	1	Crossplate-Hydro	16	138-7590	4	Screw-HHF
4	139-2399	1	V-Belt	17	322-11	4	Screw-HH
5	138-9809	1	Spacer	18	324-8	2	Screw-HH
6	138-7276	1	Arm-Idler	19	324-10	4	Screw-HH
7	138-7277	1	Spacer-Arm, Idler	21	5-4460	1	Washer-Pivot
8	68-0030	1	Idler	22	104-8300	10	Nut-HF, NI
9	138-7597	1	Pulley-Idler, Flat	24	3296-48	6	Nut-Hex
10	137-7040	1	Spring-Return, Pedal	25	242-50	8	Nut-Lug
11	138-7245	1	Rod-Bypass, RH	32	3256-25	6	Washer-Flat
12	138-7243	1	Rod-Bypass, LH	33	3256-23	2	Washer-Plain
13	3290-307	2	Pin-Cotter	34	119-8952	2	Washer

Electrical Assembly



Electrical Assembly (continued)

<i>Ref.</i>	<i>Part Number</i>	<i>Qty.</i>	<i>Description</i>	<i>Ref.</i>	<i>Part Number</i>	<i>Qty.</i>	<i>Description</i>
1	138-2521	1	Harness-Wire	11	121-5726	1	Cable-Battery, Black
1:1	109355	1	Fuse-Blade, 15 Amp	12	120-2244	1	Hourmeter
1:2	109102	1	Fuse-Blade, 25 Amp	13	3256-22	2	Washer-1/4 SAE
2	105-1692	1	Battery, 230CCA W/O Electrolyte	14	32144-4	2	Screw-HWH 1/4-20 X 1/2 Taptite
3	117-1197	1	Solenoid	15	321-3	1	Screw-HH 1/4-20 X 5/8
4	137-4100	1	Switch-Ignition	17	3229-1	1	Bolt-Carriage 1/4-20 X 3/4
5	103-2106	1	Key-Exmark Logo	18	32128-33	2	Nut-Whizlock 1/4-20
6	103-5221	1	Switch-PTO	19	32103-22	1	Nut-Wing
7	110-6765	2	Switch	20	3220-2	2	Nut-Jam 5/16-24
8	139-2381	1	Strap-Rubber	22	140-2080	1	Cover-Solenoid
9	140-2713	1	Cable-Battery, Pos	23	140-2081	1	Cap-Solenoid
10	139-2431	1	Cable-Battery, Red (8 Gauge)				

Notes:

Notes:

Notes:



MAXIMIZE THE PERFORMANCE OF YOUR EXMARK MACHINE.



EXMARK® PREMIUM ENGINE OIL

Exmark now offers a family of engine oil viscosities to perform well in any environment. Each viscosity has the same synthetic formulation to give you what you need in punishing conditions. We designed each grade to the highest quality, making it ideal even for diesel applications. Coupled with Exmark Premium Fuel Treatment, we have the performance products to make your machine hum.

EXMARK PREMIUM ENGINE OIL SAE 30/10W-30

- Meets zero shear requirements of a straight grade SAE 30 as well as the cold temp properties of a 10W-30.
- Most versatile oil in the industry.
- Superior corrosion protection over conventional oil - even in corrosive, humid environments.

EXMARK PREMIUM ENGINE OIL SAE 20W-50

- Perfect for your big block engine, or any application in severe service.
- Same full synthetic formulation as all other Exmark Premium viscosities.
- Also effective for use in severe service small block engines.

EXMARK PREMIUM ENGINE OIL SAE 10W-50

- Full synthetic formulation gives you peak performance. Don't settle for less.
- Wide span multi-grade combines easy starting in cold weather with maximum protection in high temperature operation.
- Reduce friction & wear over standard mineral formulations.

EXMARK PREMIUM ENGINE OIL SAE 0W-40

- The perfect choice for when the weather turns cold or unpredictable, and your Exmark UTV has to perform.
- Commercial quality for severe service.
- Advanced additive package helps prevent corrosion from long-term storage.

EXMARK PREMIUM ENGINE OIL UTV FORMULATION

- 4-cycle high-temp formulation.
- Heavier viscosity, full synthetic, perfect for your UTV.

EXMARK PREMIUM UTV EXTREME CONDITIONS GEAR OIL

- SAE 80W-90, designed to keep your UTV performing at its peak.
- Shear stable, hypoid gear lube.
- Includes a premium additive system to combat wear, oxidation, rust & corrosion.

Available from your local Exmark dealer. Find your closest dealer at exmark.com

EXMARK ACCESSORIES AND OPTIONS*

MID-MOUNT RIDING ACCESSORIES AND OPTIONS

CUSTOM RIDE SEAT SUSPENSION SYSTEM	OPERATOR CONTROLLED DISCHARGE
FULL SUSPENSION SEAT	SUN SHADE
DECK LIFT ASSIST KIT	TRASH CONTAINER
HITCH KIT	TURF STRIPER
LIGHT KIT	ULTRA VAC COLLECTION SYSTEM
12V POWER PORT	ULTRA VAC QUICK DISPOSAL SYSTEM
MICRO-MULCH SYSTEM	

OUT-FRONT RIDING ACCESSORIES AND OPTIONS

CUSTOM RIDE SEAT SUSPENSION SYSTEM	SNOW BLADE
DUAL-TAIL WHEEL	SNOWBLOWER
FLOOR PAN EXTENDER	SUN SHADE
HITCH KIT	TRASH CONTAINER
LIGHT KIT	ULTRA VAC COLLECTION SYSTEM
MICRO-MULCH SYSTEM	ULTRA VAC QUICK DISPOSAL SYSTEM
ROLL OVER PROTECTION SYSTEM (ROPS)	WEATHER CAB

WALK-BEHIND ACCESSORIES AND OPTIONS

GRASS CATCHER	TURF STRIPER
MICRO-MULCH SYSTEM	STANDON

*Some accessories and options not available for some models.

Place Model No. and Serial No.
Label Here (Included in the Literature
Pack) or Fill in Below

Model No. _____

Serial No. _____

Date Purchased _____

Engine Model No. and Spec. No. _____

Engine Serial No. (E/No) _____

© 2021 Exmark Mfg. Co., Inc.
415 Industrial Row
Beatrice, NE 68310
All Rights Reserved

Part No. 4505-679 Rev. A
(402) 223-6375
Fax (402) 223-5489
Printed in the USA.

