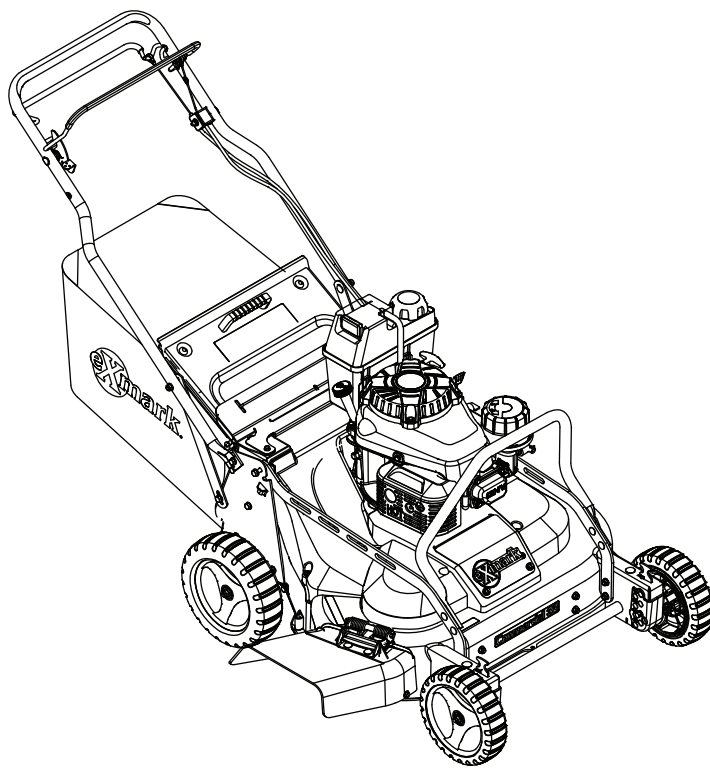




COMMERCIAL 30

Model No. ECX200CKC30000—Serial No. 411294212 and Up

Picture below may not reflect actual product.



Parts Manual

Part No. 4505-628 Rev. B

Ordering Replacement Parts

To order replacement parts, please supply the part number, the quantity, and the description of each part desired.

Understanding Reference Numbers

Each identified part in an illustration has a reference number. The reference number for a part also appears in the parts list, along with other information about the part.

This catalog uses two special reference number formats, one to indicate parts in a service assembly and another to indicate the quantity of a given part in an illustration.

Service Assembly Reference Numbers

Parts in service assemblies have reference numbers in the form a:b. The a represents the reference number of the entire service assembly and the b represents a sequential number unique to each part within the service assembly.

For example, a wheel assembly might be identified by reference number 6, the tire by 6:1, the valve by 6:2, and the wheel by 6:3. When you order the assembly identified by reference number 6, you receive all parts identified by reference numbers 6:1, 6:2, and 6:3. However, you may also order any part individually. Reference numbers of this type appear in illustration and in parts lists.

Reference Numbers Indicating Quantity

In an illustration, if a reference number indicates more than one part, the reference number has the form nX y. The n represents the quantity of the part, the X is the multiplication symbol, and the y represents the reference number.

For example, in an illustration, the reference number 2X 37 means that two of the parts identified by reference number 37 are indicated.

Touch Up Paint

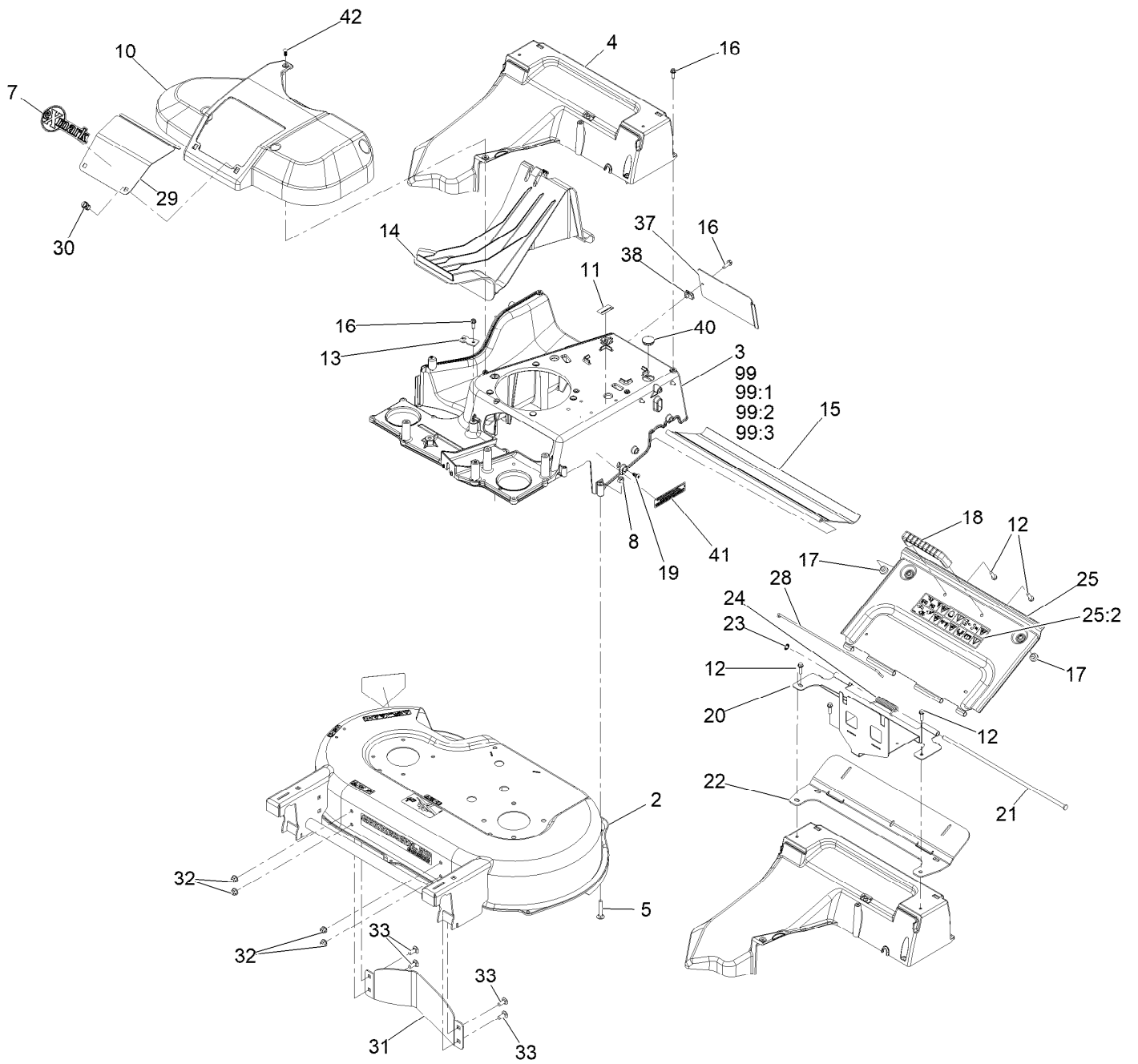
Exmark black touch up spray paint – gloss black.

Exmark red touch up paint (spray paint – P/N 1-850337 - .6 oz liquid bottle – P/N 103-9140).

Contents

Deck, Frame, and Chute Assembly	4
Deck W/Decals Assembly	6
Spindle and Blade Assembly	8
Pulleys and Idler Assembly No. 126-7890	10
Side Discharge Chute Assembly	12
Bag Assembly	14
Engine and Fuel Tank Assembly	16
Suspension Traction Assembly	18
Handle Assembly	20
Transmission and Wheel Assembly	22

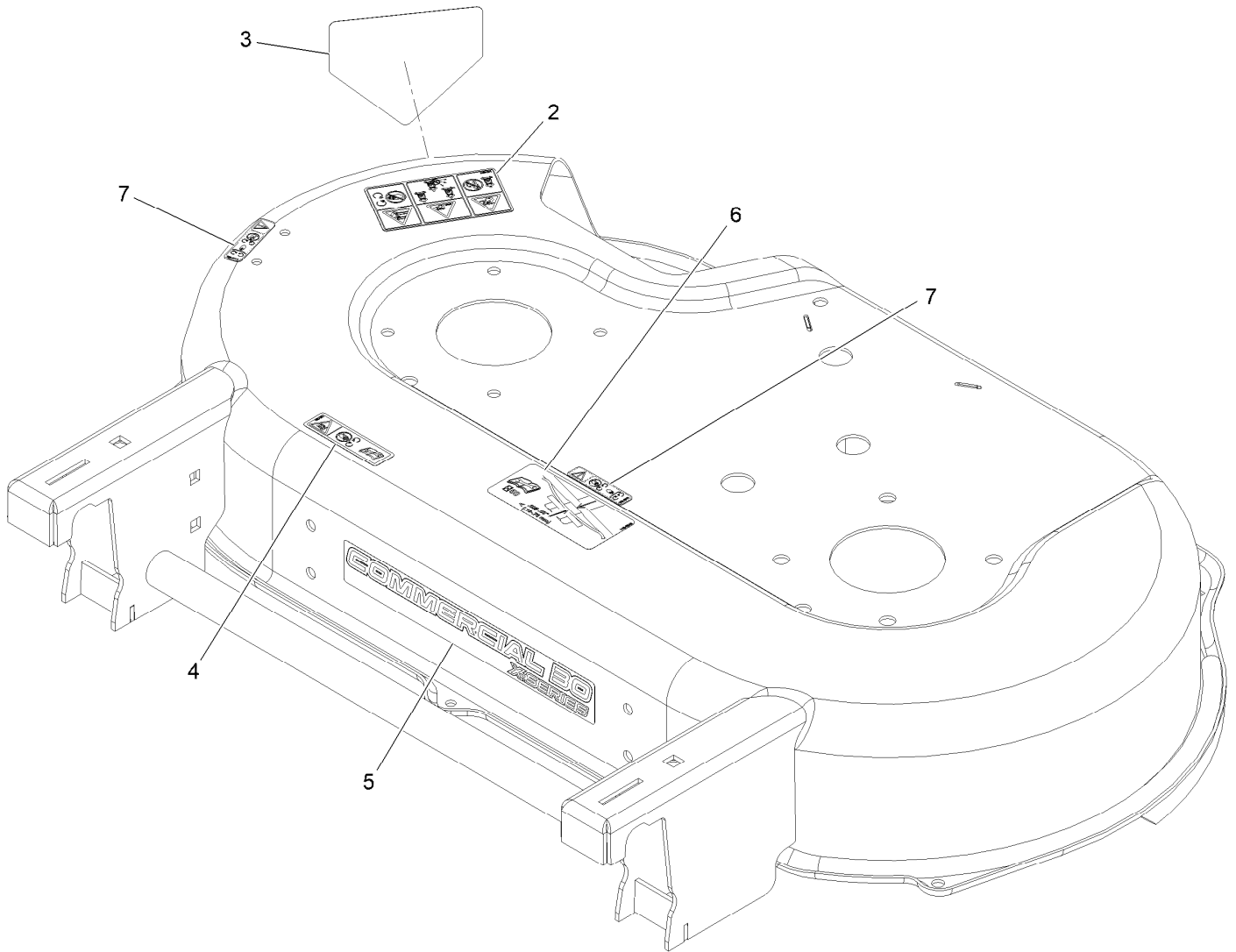
Deck, Frame, and Chute Assembly



Deck, Frame, and Chute Assembly (continued)

<i>Ref.</i>	<i>Part Number</i>	<i>Qty.</i>	<i>Description</i>	<i>Ref.</i>	<i>Part Number</i>	<i>Qty.</i>	<i>Description</i>
2	142-2491	1	Deck-30, X-Series W/Decals	23	32151-72	1	Ring-Retaining
3	145-3920-01	1	Frame-30"	24	116-7573	1	Spring-Torsion, Cover
4	133-8177	1	Chute	25	116-8355	1	Rear Door ASM
5	3230-5	2	Bolt-Carriage 5/16-18 X 1 3/4	25:2	116-7583	1	Decal-Warning
7	126-6575	1	Decal-Exmark Logo	28	116-6966	1	Clip-Seal
8	3296-29	2	Nut-Nyloc 5/16-18	29	121-5793-03	1	Door-Access
10	139-5406	1	Cover-Belt	30	121-5840	2	Fastener
11	126-4345	1	Decal-Patent	31	130-2352-01	1	Baffle-Control
12	46-8091	5	Screw-HWH 1/4-10 X .82 Plastite	32	104-8300	4	Nut-Nyloc 5/16-18 Flg
13	138-3224	1	Bracket-Cable, Traction	33	3274-55	4	Screw-Button Head 5/16-18 X 3/4
14	120-5225	1	Plug-Mulch	37	138-5332-01	1	Cover-Frame
15	121-5841	1	Shield-Trailing	38	107069	1	Nut-Retainer-Panel 1/4-20
16	49-2040	9	Screw-HWH 1/4-20 X 3/4 Tf	40	126-7151	1	Plug-Button
17	1-513658	2	Bumper	41	133-8062	1	Decal-Arrestor, Spark
18	65-5100	1	Handle-Door	42	140-1341	1	Clip-Xmas Tree
19	117-1092	2	Screw-PTH	99	125-5072	1	Frame Plate Kit
20	142-8180-03	1	Weld-Tank Mount	99:1	125-2542	1	Plate-Frame
21	116-6933	1	Pin-Hinge	99:2	3229-3	3	Bolt-Carriage 1/4-20 X 1 1/4
22	116-6229	1	Seal-Door	99:3	3296-42	3	Nut-Nyloc 1/4-20

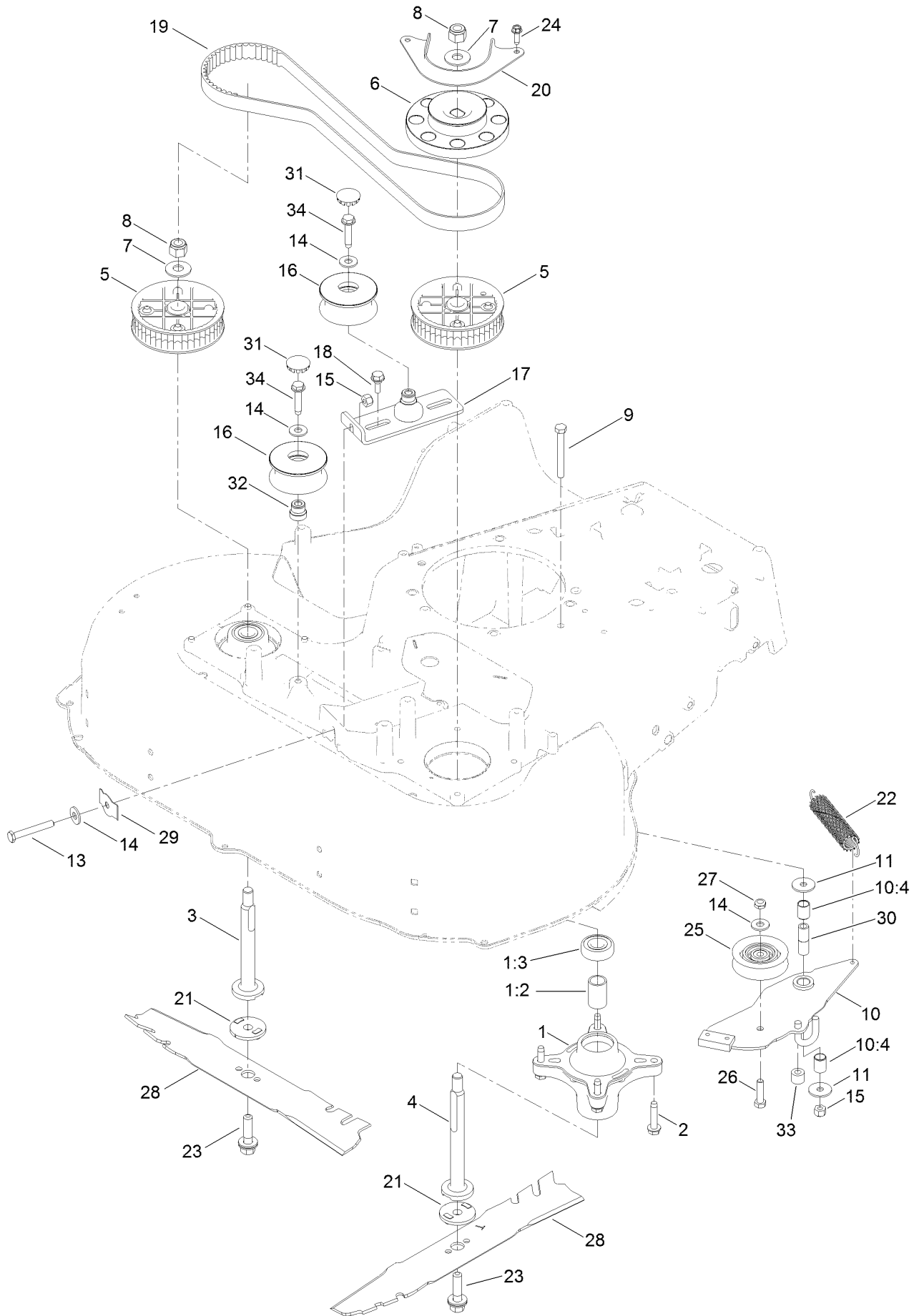
Deck W/Decals Assembly



Deck W/Decals Assembly (continued)

<i>Ref.</i>	<i>Part Number</i>	<i>Qty.</i>	<i>Description</i>	<i>Ref.</i>	<i>Part Number</i>	<i>Qty.</i>	<i>Description</i>
2	145-3851	1	Decal-Danger, CE	5	142-2489	1	Decal-Comm 30 X-Series
3	94-8072	1	Decal-Danger	6	116-8528	1	Decal
4	116-7581	1	Decal-Warning	7	120-9570	2	Decal-Warning

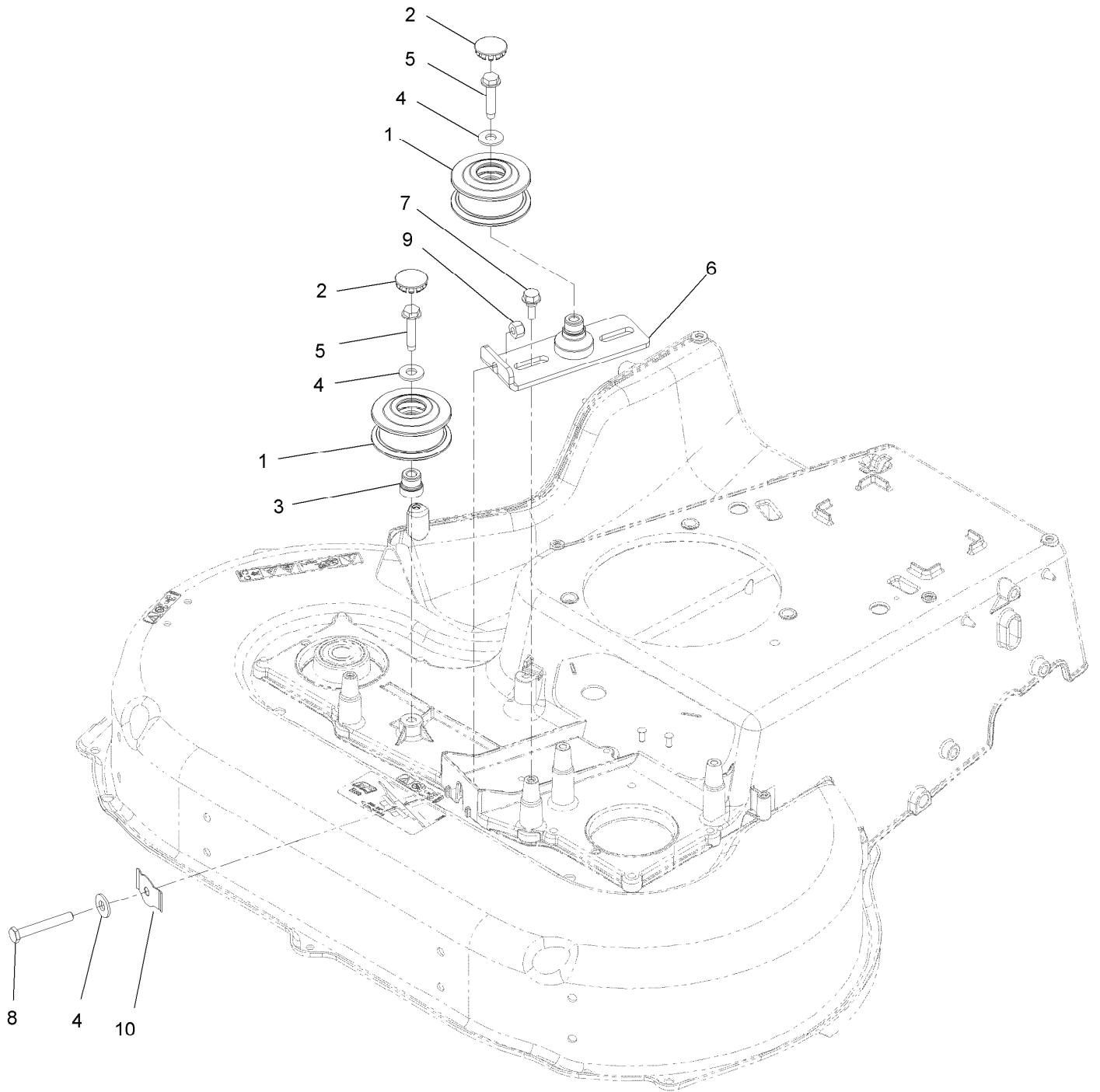
Spindle and Blade Assembly



Spindle and Blade Assembly (continued)

<i>Ref.</i>	<i>Part Number</i>	<i>Qty.</i>	<i>Description</i>	<i>Ref.</i>	<i>Part Number</i>	<i>Qty.</i>	<i>Description</i>
1	121-9107	2	Spindle ASM	17	126-6453	1	Bracket-Idler
1:2	120-7935	2	Spacer	18	120-7024	2	Screw-Shoulder, HWH
1:3	136-5441	2	Bearing-Ball	19	120-3335	1	Belt-Synchronous
2	139-1731	8	Screw-Thd Roll, HWH	20	120-5245-03	1	Guide-Belt, Spindle
3	139-6612	1	Shaft-Spindle	21	120-5236	2	Adapter-Blade
4	139-6613	1	Shaft-Spindle	22	121-5808	1	Spring-Extension, Brake
5	121-9100	2	Sprocket	23	125-2466	2	Bolt-Blade
6	130-6664	1	Pulley-Brake, Spindle	24	49-2040	2	Screw-HWHTF
7	109-9505	2	Washer-Spring	25	120-7082	1	Pulley-Idler
8	3296-19	2	Nut-Hex	26	322-6	1	Screw-HH
9	322-13	1	Screw-HH	27	3296-47	1	Nut-Lock,NI
10	136-5903	1	Brake Arm ASM	28	116-6358-03	2	Blade-Rotary
10:4	131-0819	2	Bushing-Sleeve	29	121-2336	1	Spring-Flat
11	5-4460	2	Washer-Pivot	30	131-0823	1	Spacer-Brake
13	9114524	1	Bolt-TAP, HH	31	126-7151	2	Plug-Button
14	3256-3	4	Washer-Flat	32	131-4504	1	Adapter-Bore
15	3296-29	2	Nut-Lock, NI	33	133-1964	1	Spacer
16	126-7890	1	Pulleys And Idler Kit	34	32144-57	2	Screw

Pulleys and Idler Assembly No. 126-7890

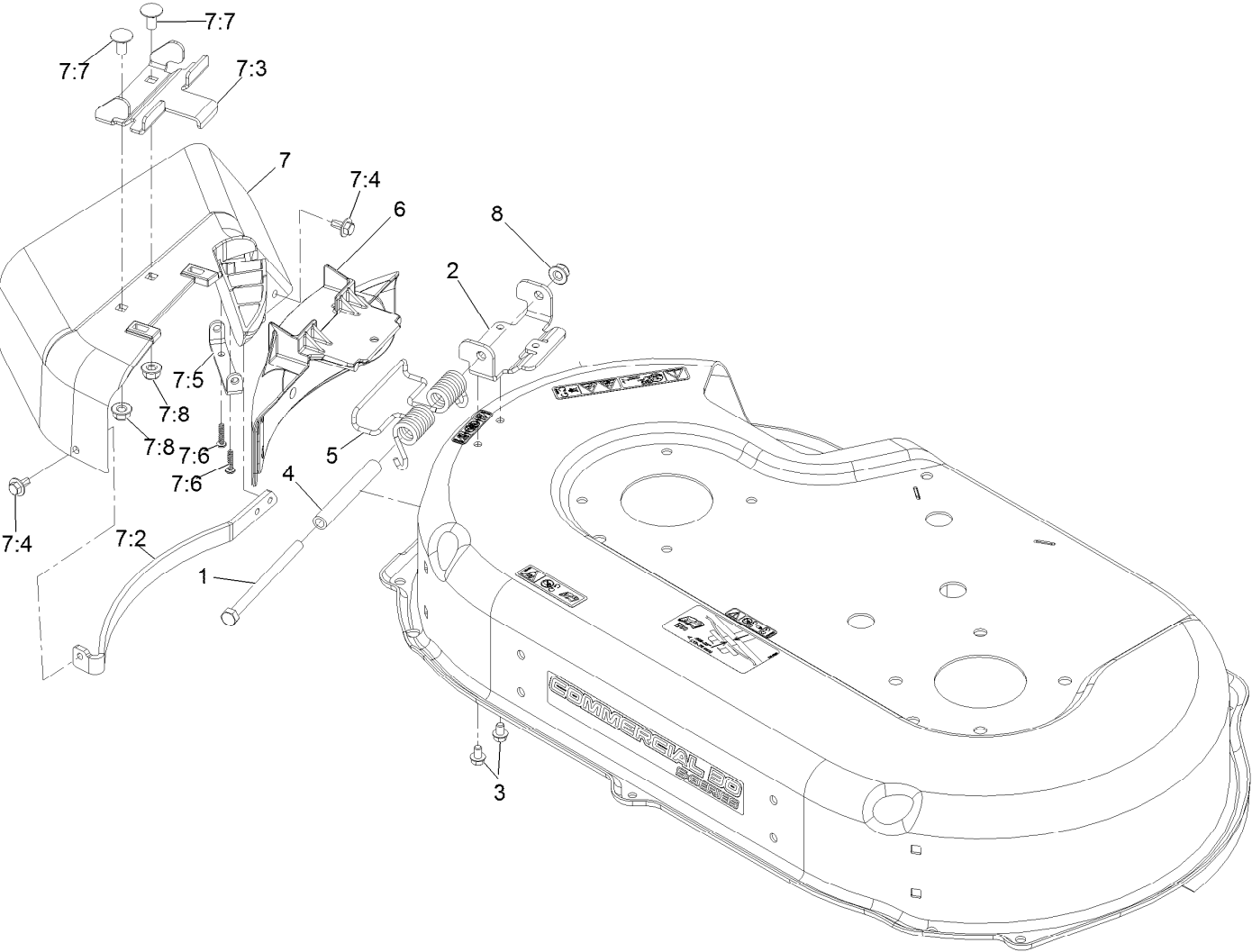


Pulleys and Idler Assembly No. 126-7890 (continued)

<i>Ref.</i>	<i>Part Number</i>	<i>Qty.</i>	<i>Description</i>
1	126-5880	2	Pulley-Idler, Flat
2	126-7151	2	Plug-Button
3	131-4504	1	Adapter-Bore
4	3256-3	3	Washer-Flat
5	32144-57	2	Screw

<i>Ref.</i>	<i>Part Number</i>	<i>Qty.</i>	<i>Description</i>
6	126-6453	1	Bracket-Idler
7	120-7024	2	Screw-Shoulder, HWH
8	9114524	1	Bolt-TAP, HH
9	3296-29	1	Nut-Lock, NI
10	121-2336	1	Spring-Flat

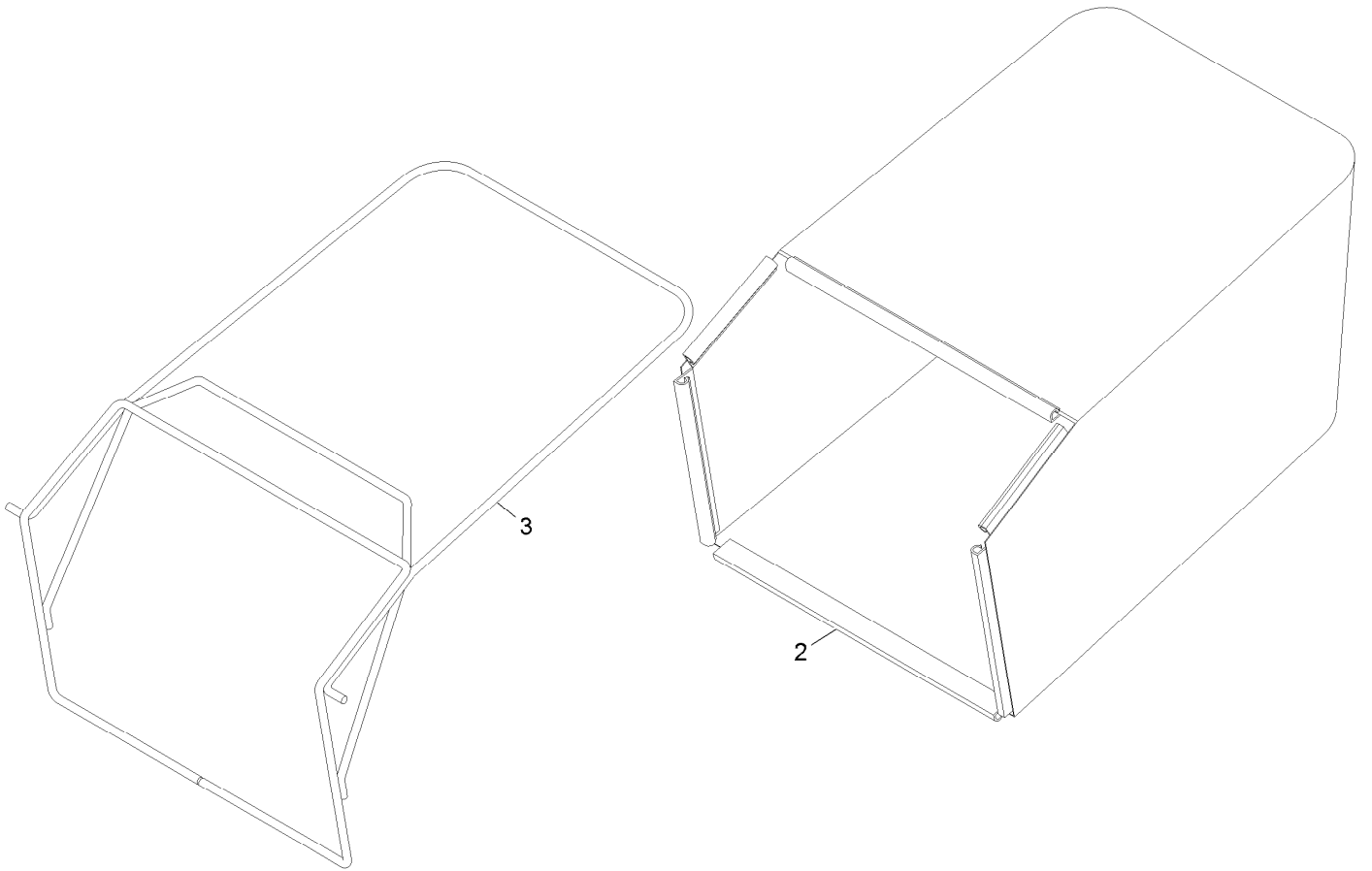
Side Discharge Chute Assembly



Side Discharge Chute Assembly (continued)

<i>Ref.</i>	<i>Part Number</i>	<i>Qty.</i>	<i>Description</i>	<i>Ref.</i>	<i>Part Number</i>	<i>Qty.</i>	<i>Description</i>
1	322-38	1	Screw-HH 5/16-18 X 4 1/2	7:3	121-9196	1	Bracket-Chute
2	121-9195	1	Hinge	7:4	46-8560	2	Screw-HHF 1/4-20 X 1/2
3	137-4795	2	Screw	7:5	112-6416	1	Bracket-Cover
4	125-2478	1	Spacer	7:6	94-4496	2	Screw-PPH
5	121-9193	1	Spring-Torsion	7:7	3230-18	2	Bolt-Carriage 5/16-18 X 5/8
6	125-5093-01	1	Cover-Discharge	7:8	104-8300	2	Nut-Nyloc 5/16-18 Flg
7	116-9754	1	Side Discharge Chute ASM	8	104-8300	1	Nut-Nyloc 5/16-18 Flg
7:2	116-9752-03	1	Guard-Chute				

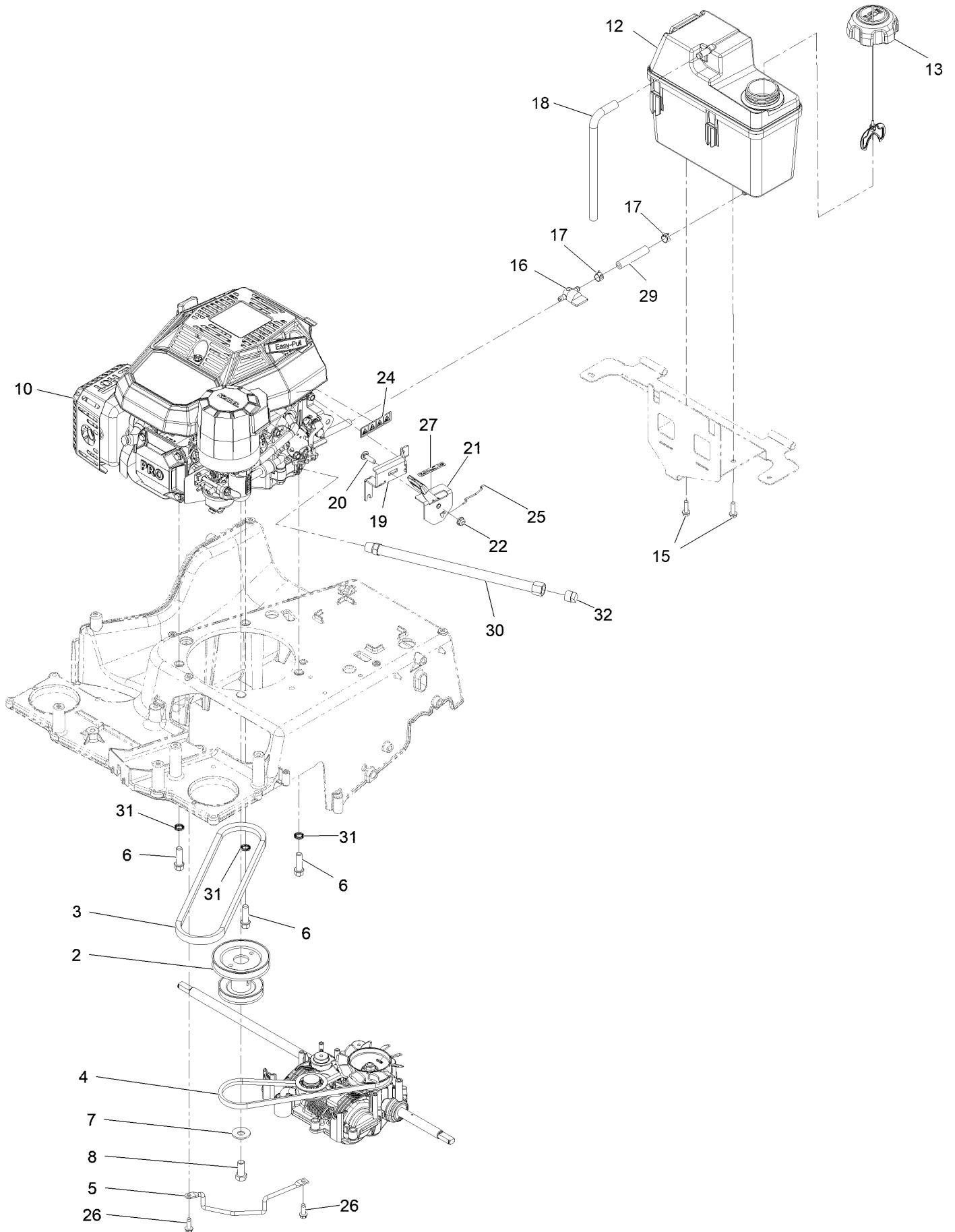
Bag Assembly



Bag Assembly (continued)

<i>Ref.</i>	<i>Part Number</i>	<i>Qty.</i>	<i>Description</i>
2	116-6350	1	Bag-Grass
3	116-5596-03	1	Frame-Bag

Engine and Fuel Tank Assembly



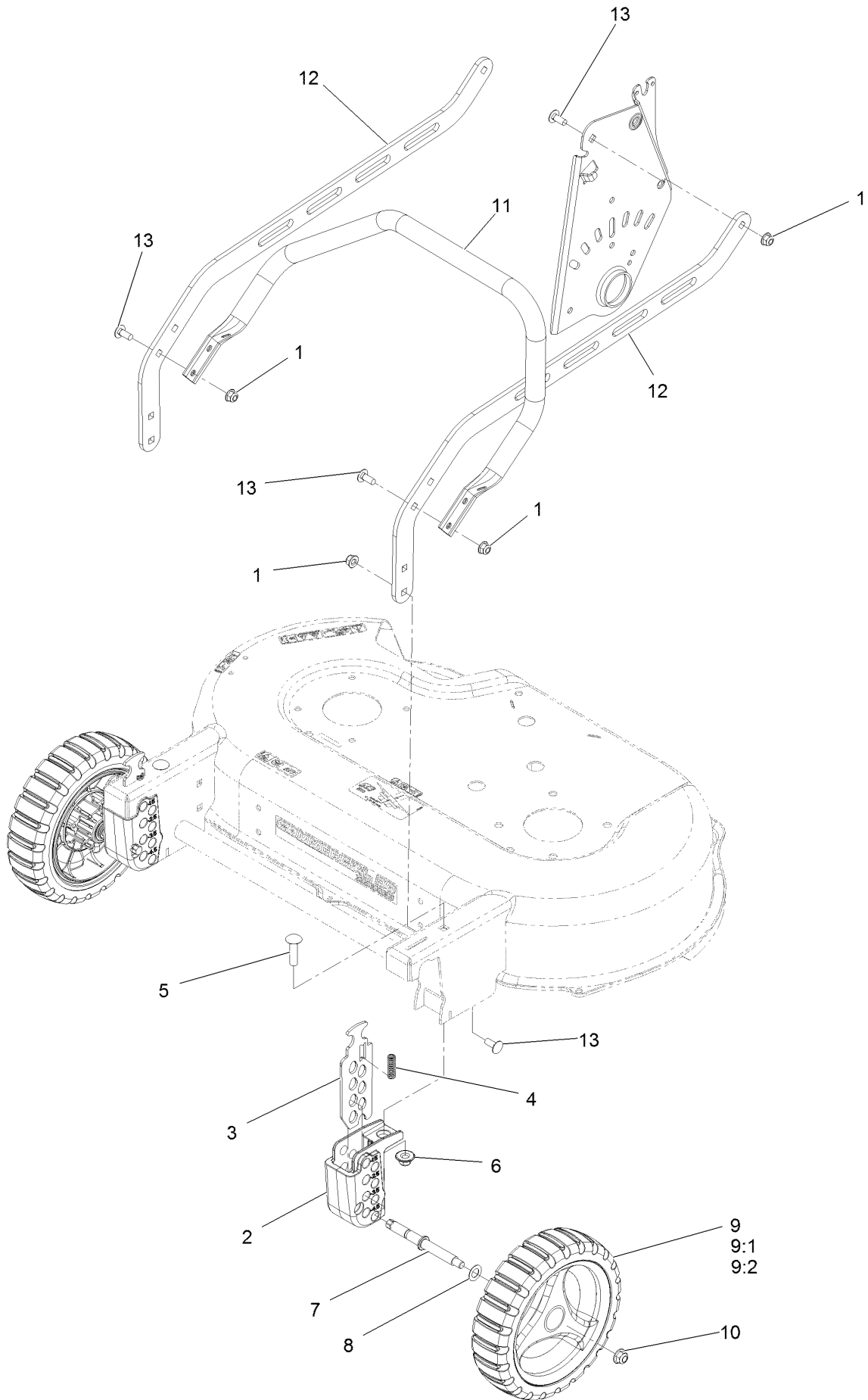
Engine and Fuel Tank Assembly (continued)

<i>Ref.</i>	<i>Part Number</i>	<i>Qty.</i>	<i>Description</i>	<i>Ref.</i>	<i>Part Number</i>	<i>Qty.</i>	<i>Description</i>
2	137-9181	1	Pulley-Engine	17	2412-98	2	Clamp-Hose
3	121-5765	1	V-Belt	18	115-0962	1	Hose-Vent, Canister
4	133-8151	1	Belt-V	19	145-1504-03	1	Bracket-Throttle
5	138-5331-03	1	Rod-Guide, Belt	20	3229-30	1	Bolt-Carriage 1/4-20 X 1
6	95-1727	3	Screw-HWH 3/8-16 X 1 1/4 Taptite	21	130-9655	1	Control-Throttle
7	3290-465	1	Washer-Spring Disc	22	104-7201	1	Nut-Nyloc 1/4-20 Flg
8	3212-4	1	Screw-HH 7/16-20 X 1	24	116-9313	1	Decal-Warning, Engine
10		1	Engine-Kohler ●■	25	138-5387	1	Wire-Link
12	114-0280	1	Tank-Fuel	26	49-2040	2	Screw-HWH 1/4-20 X 3/4 Tf
13	137-4127	1	Cap-Fuel	27	130-9656	1	Decal-Throttle, Choke
15	46-8091	2	Screw-HWH 1/4-10 X .82 Plastite	29	109-0304	1	Hose-Fuel Line 2 1/2"
16	1-603770	1	Valve-Fuel	30	117-1261	1	Hose-Drain, Oil
				31	145-3960	3	Washer-Lock
				32	281-2	1	Plug-Pipe

● Not serviced separately

■ Obtain parts from www.kohlerplus.com

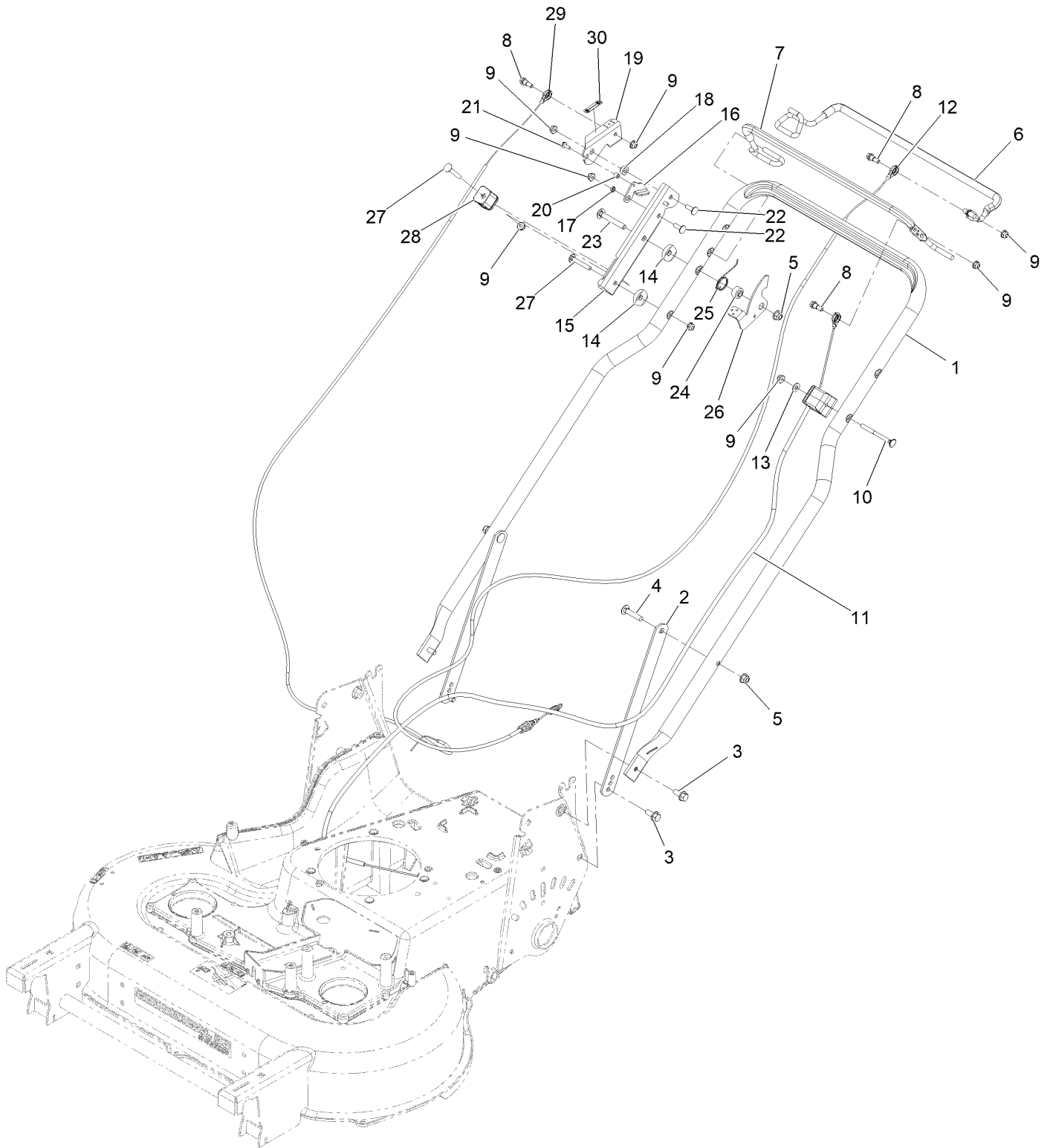
Suspension Traction Assembly



Suspension Traction Assembly (continued)

<i>Ref.</i>	<i>Part Number</i>	<i>Qty.</i>	<i>Description</i>	<i>Ref.</i>	<i>Part Number</i>	<i>Qty.</i>	<i>Description</i>
1	104-8300	10	Nut-Nyloc 5/16-18 Flg	9	126-7347	2	Wheel ASM, 9" W/Bearings
2	116-6357	2	Block-Front Quadrant	9:1	126-7345	1	Wheel ASM, 9"
3	109-9292	2	Plate, Front Height	9:2	133-2603	2	Bearing-Ball
4	109-7258	2	Spring-Compression	10	104-8301	2	Nut-Nyloc 3/8-16 Flg
5	3231-26	2	Bolt-Carriage 3/8-16 X 1 1/2	11	116-7675-03	1	Guard-Engine
6	109-6658	2	Nut-Nyloc 3/8-16 Flg	12	116-7661-03	2	Brace-RH
7	116-0994	2	Axle-Wheel	13	3230-23	10	Bolt-Carriage 5/16-18 X 3/4 Short Neck
8	36-4780	2	Washer				

Handle Assembly

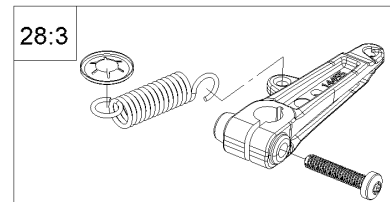
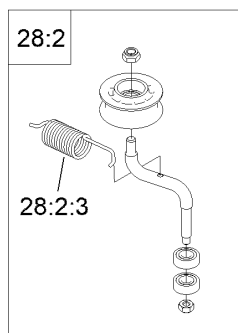
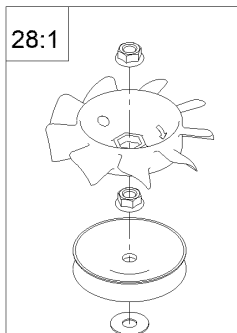
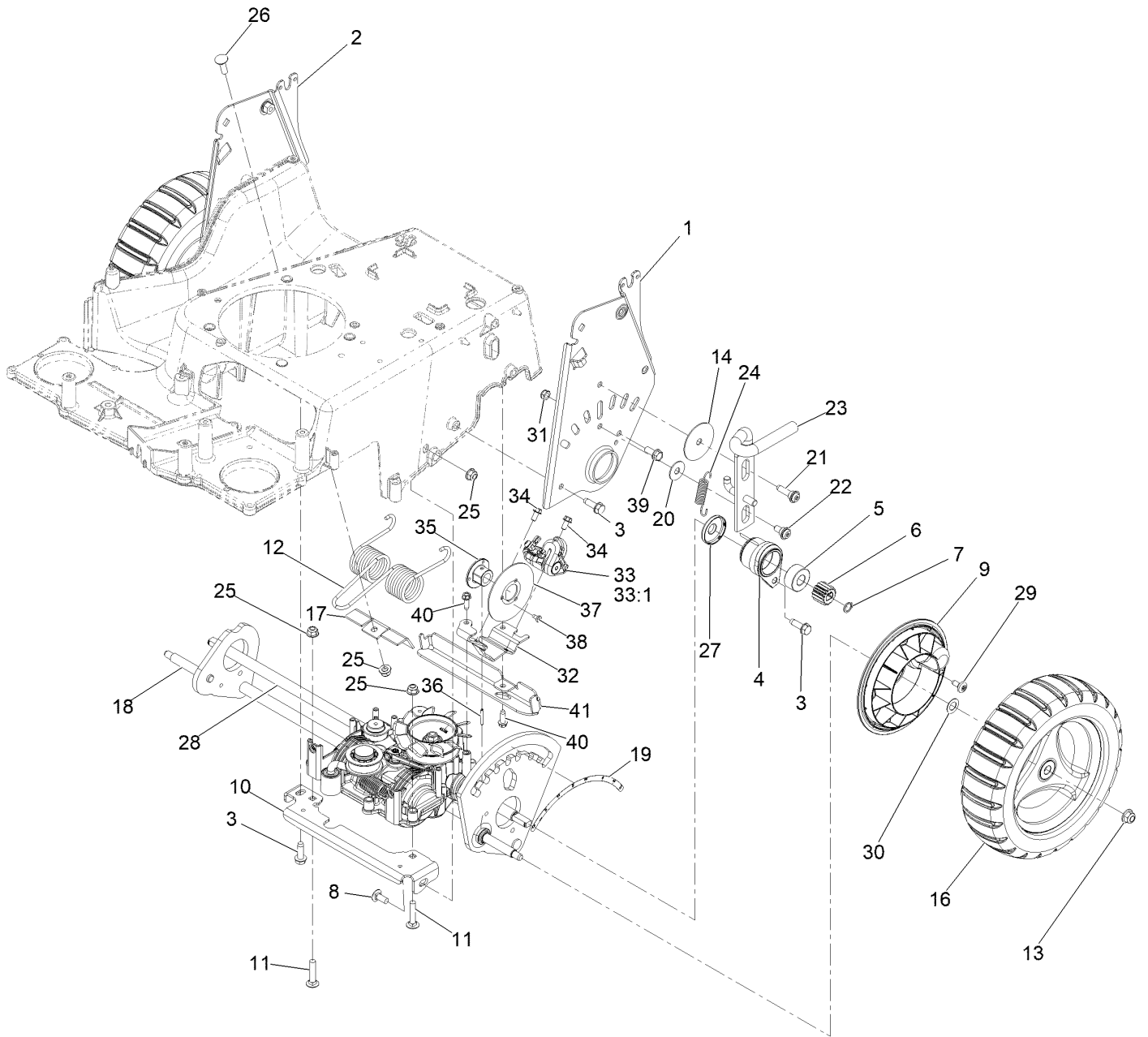


Handle Assembly (continued)

<i>Ref.</i>	<i>Part Number</i>	<i>Qty.</i>	<i>Description</i>	<i>Ref.</i>	<i>Part Number</i>	<i>Qty.</i>	<i>Description</i>
1	137-4767-03	1	Handle	18	139-1817	1	Washer-Stepped
2	116-8208-03	2	Support-Handle	19	139-1819	1	Lever-Brake
3	116-7230	4	Screw-HHF	20	117-9965	1	Spacer
4	3230-4	2	Bolt-Carriage 5/16-18 X 1 1/2	21	32144-1	1	Screw-HWH #10-24 X 1/2 Taptite
5	104-8300	3	Nut-Nyloc 5/16-18 Flg	22	1-807512	2	Bolt-Carriage 1/4-20 X 3/4 Short Neck
6	139-1815	1	Bail-Traction, Coated	23	3230-7	1	Bolt-Carriage 5/16-18 X 2 1/4
7	137-4810	1	Bail-BBC, Coated	24	116-2690	1	Bushing-Stepped
8	42-3560	3	Bolt-Shoulder	25	109-9318	1	Spring-Lever, BBC
9	104-7201	8	Nut-Nyloc 1/4-20 Flg	26	116-2998	1	Lever-BBC
10	140-3985	1	Screw-Handle	27	3229-5	2	Screw-CARR
11	137-4759	1	Cable-BBC	28	106-6801	1	Anchor-Cable
12	137-4807	1	Cable-Traction	29	138-5399	1	Cable-Brake, Parking
13	3256-1	1	Washer-Flat	30	139-5405	1	Decal-Brake, Parking
14	106-7260	2	Washer-Curved	99	614249	4	Tie-Cable ●
15	139-1818-03	1	Mount-Lever, Brake				
16	139-1813	1	Link-Actuation, Brake				
17	138-5368	1	Spacer				

● Not illustrated

Transmission and Wheel Assembly



Transmission and Wheel Assembly (continued)

<i>Ref.</i>	<i>Part Number</i>	<i>Qty.</i>	<i>Description</i>	<i>Ref.</i>	<i>Part Number</i>	<i>Qty.</i>	<i>Description</i>
1	137-9172-03	1	HOC Plate Assembly	24	138-5393	1	Spring-Extension
2	137-9173-03	1	HOC Plate Assembly	25	104-8300	4	Nut-Nyloc 5/16-18 Flg
3	701243	7	Screw-HWH 5/16-18 X 1 Tf	26	3230-2	1	Bolt-Carriage 5/16-18 X 1
4	137-9183	2	Bearing Retainer ASM	27	137-9185	2	Cover-Bearing
5	137-4779	4	Bearing-Ball, Custom	28	133-2670	1	Transmission-Mv702
6	136-9111	2	Gear-Pinion, 15T	28:1	139-1837	1	Pulley & Fan Repair Kit
7	32151-61	2	Ring-Retaining	28:2	139-1842	1	Idler Pulley Repair Kit
8	3230-23	1	Bolt-Carriage 5/16-18 X 3/4 Short Neck	28:2:3	139-1845	1	Spring-Tension, Belt
9	136-7095	2	Cover-Wheel	28:3	139-8974	1	Clutch Lever Repair Kit
10	133-8104-03	1	Bracket-Transmission, Front	29	120-7950	2	Screw-1/4-20 X 1/2 Tf Torx Plus
11	3230-4	2	Bolt-Carriage 5/16-18 X 1 1/2	30	36-4780	2	Washer
12	121-2368	1	Spring-Torsion	31	3296-47	1	Nut-Nyloc 5/16-18 Thin
13	104-8301	2	Nut-Nyloc 3/8-16 Flg	32	138-5394-03	1	Bracket-Mount, Brake
14	125-2540	1	Washer-Plain	33	138-5398	1	Caliper-Brake, Disc
16	138-3213	2	Wheel ASM, 10.5 W/Gear	33:1	139-8999	2	Pad-Brake, Disc ●
17	121-2397	1	Bracket	34	32144-4	2	Screw-HWH 1/4-20 X 1/2 Taptite
18	139-8967	1	Rear Axle ASM	35	139-8990	1	Hub-Rotor
19	116-7127	1	Decal-HOC, Rear	36	933156	1	Pin-Roll
20	52-2860	1	Washer	37	138-5396	1	Disc-Rotor
21	119-2267	1	Screw-Button Head 5/16-18 X 1 Tf	38	139-8960	3	Screw-Torx PH Thd Roll
22	120-9471	1	Screw-Shoulder Bh 5/16-18 X 1/2 Tf Torx	39	609471	1	Screw
23	139-1737	1	Lock-Height, Adj	40	49-2040	2	Screw-HWH 1/4-20 X 3/4 Tf
				41	140-1262-01	1	Bracket-Support, Cable

● Not illustrated

EXMARK ACCESSORIES AND OPTIONS*

MID-MOUNT RIDING ACCESSORIES AND OPTIONS

CUSTOM RIDE SEAT SUSPENSION SYSTEM	OPERATOR CONTROLLED DISCHARGE
FULL SUSPENSION SEAT	SUN SHADE
DECK LIFT ASSIST KIT	TRASH CONTAINER
HITCH KIT	TURF STRIPER
LIGHT KIT	ULTRA VAC COLLECTION SYSTEM
12V POWER PORT	ULTRA VAC QUICK DISPOSAL SYSTEM
MICRO-MULCH SYSTEM	

OUT-FRONT RIDING ACCESSORIES AND OPTIONS

CUSTOM RIDE SEAT SUSPENSION SYSTEM	SNOW BLADE
DUAL-TAIL WHEEL	SNOWBLOWER
FLOOR PAN EXTENDER	SUN SHADE
HITCH KIT	TRASH CONTAINER
LIGHT KIT	ULTRA VAC COLLECTION SYSTEM
MICRO-MULCH SYSTEM	ULTRA VAC QUICK DISPOSAL SYSTEM
ROLL OVER PROTECTION SYSTEM (ROPS)	WEATHER CAB

WALK-BEHIND ACCESSORIES AND OPTIONS

GRASS CATCHER	TURF STRIPER
MICRO-MULCH SYSTEM	STANDON

*Some accessories and options not available for some models.

Place Model No. and Serial No.
Label Here (Included in the Literature
Pack) or Fill in Below

Model No. _____

Serial No. _____

Date Purchased _____

Engine Model No. and Spec. No. _____

Engine Serial No. (E/No) _____

© 2022 Exmark Mfg. Co., Inc.
415 Industrial Row
Beatrice, NE 68310
All Rights Reserved

Part No. 4505-628 Rev. B
(402) 223-6375
Fax (402) 223-5489
Printed in the USA.

