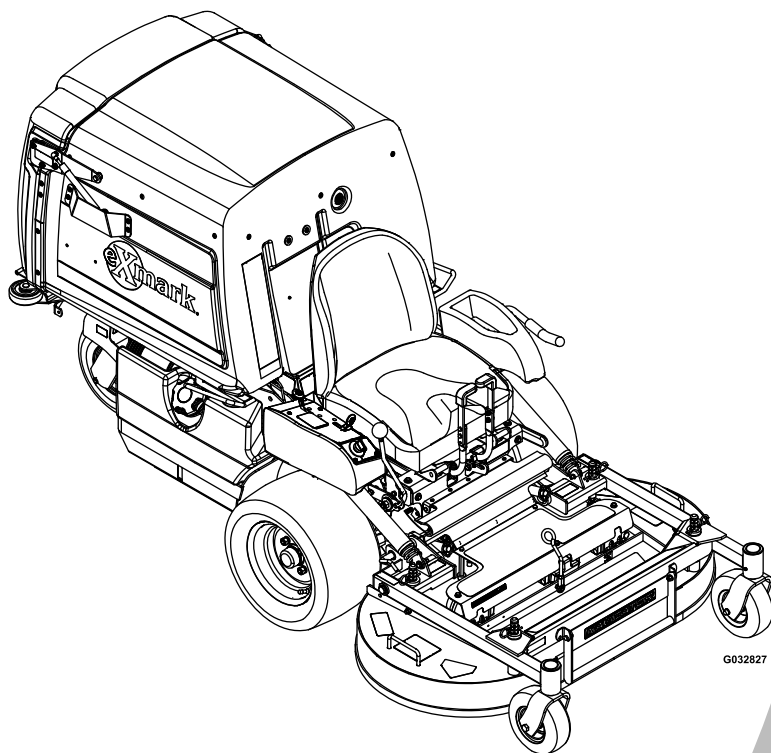




NAVIGATOR®

Model No. NVS740CKC42000—Serial No. 408644346 and Up

Picture below may not reflect actual product.



Parts Manual

Part No. 4505-275 Rev. A

Ordering Replacement Parts

To order replacement parts, please supply the part number, the quantity, and the description of each part desired.

Understanding Reference Numbers

Each identified part in an illustration has a reference number. The reference number for a part also appears in the parts list, along with other information about the part.

This catalog uses two special reference number formats, one to indicate parts in a service assembly and another to indicate the quantity of a given part in an illustration.

Service Assembly Reference Numbers

Parts in service assemblies have reference numbers in the form a:b. The a represents the reference number of the entire service assembly and the b represents a sequential number unique to each part within the service assembly.

For example, a wheel assembly might be identified by reference number 6, the tire by 6:1, the valve by 6:2, and the wheel by 6:3. When you order the assembly identified by reference number 6, you receive all parts identified by reference numbers 6:1, 6:2, and 6:3. However, you may also order any part individually. Reference numbers of this type appear in illustration and in parts lists.

Reference Numbers Indicating Quantity

In an illustration, if a reference number indicates more than one part, the reference number has the form nX y. The n represents the quantity of the part, the X is the multiplication symbol, and the y represents the reference number.

For example, in an illustration, the reference number 2X 37 means that two of the parts identified by reference number 37 are indicated.

Touch Up Paint

Exmark black touch up spray paint – gloss black.

Exmark red touch up paint (spray paint – P/N 1-850337 - .6 oz liquid bottle – P/N 103-9140).

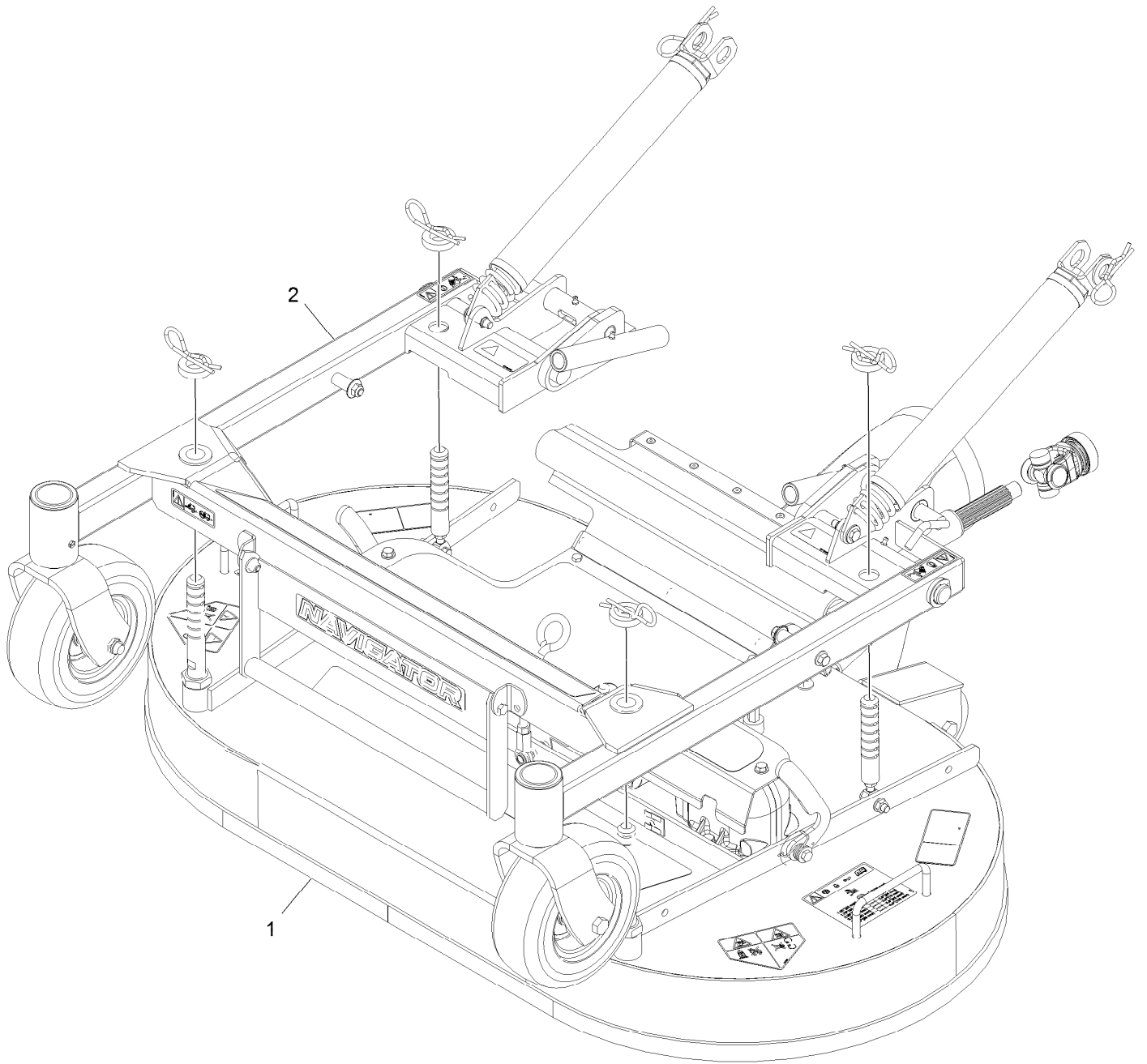


If your Exmark dealer does not have the Exmark part in stock, Exmark will get the parts to the dealer the next business day or the part will be FREE Guaranteed!! (Some restrictions apply. See your participating Exmark Dealer for details.)

Contents

Complete Deck and Support Frame Assembly	4
Deck Assembly	6
Deck W/Decals Assembly	8
Discharge Tube Assembly	10
Gearbox Assembly No. 103-3460	12
Rear Deck Height Adjustment Assembly No. 109-0322	14
Deck Support Frame Assembly	16
Deck Support W/Decals Assembly No. 103-9481	18
Spring Lift Assist Assembly No. 116-7850	20
Main Frame Assembly	22
Frame and Decal Assembly No. 116-7482	24
Speed Control Assembly	26
Parking Brake Assembly	28
Seat Assembly	30
Blower Mounting Assembly	32
Blower Assembly No. 116-9649	34
Drive Assembly	36
Engine Assembly	38
Fuel Assembly	40
Hydraulic Assembly	42
Hydraulic Pump Assembly No. 116-7836	44
Idler Assembly No. 103-7349	46
Hopper Assembly	48
Hopper Assembly (cont.)	50
Hopper Screen Assembly No. 109-0717	52
Hopper Door Assembly No. 103-9456	54
Hopper Frame Assembly	56
Fill Sensor Assembly	58
Hopper Frame Assembly	60
Electrical Assembly	62
Hopper Switch Actuator Assembly No. 103-8528	64

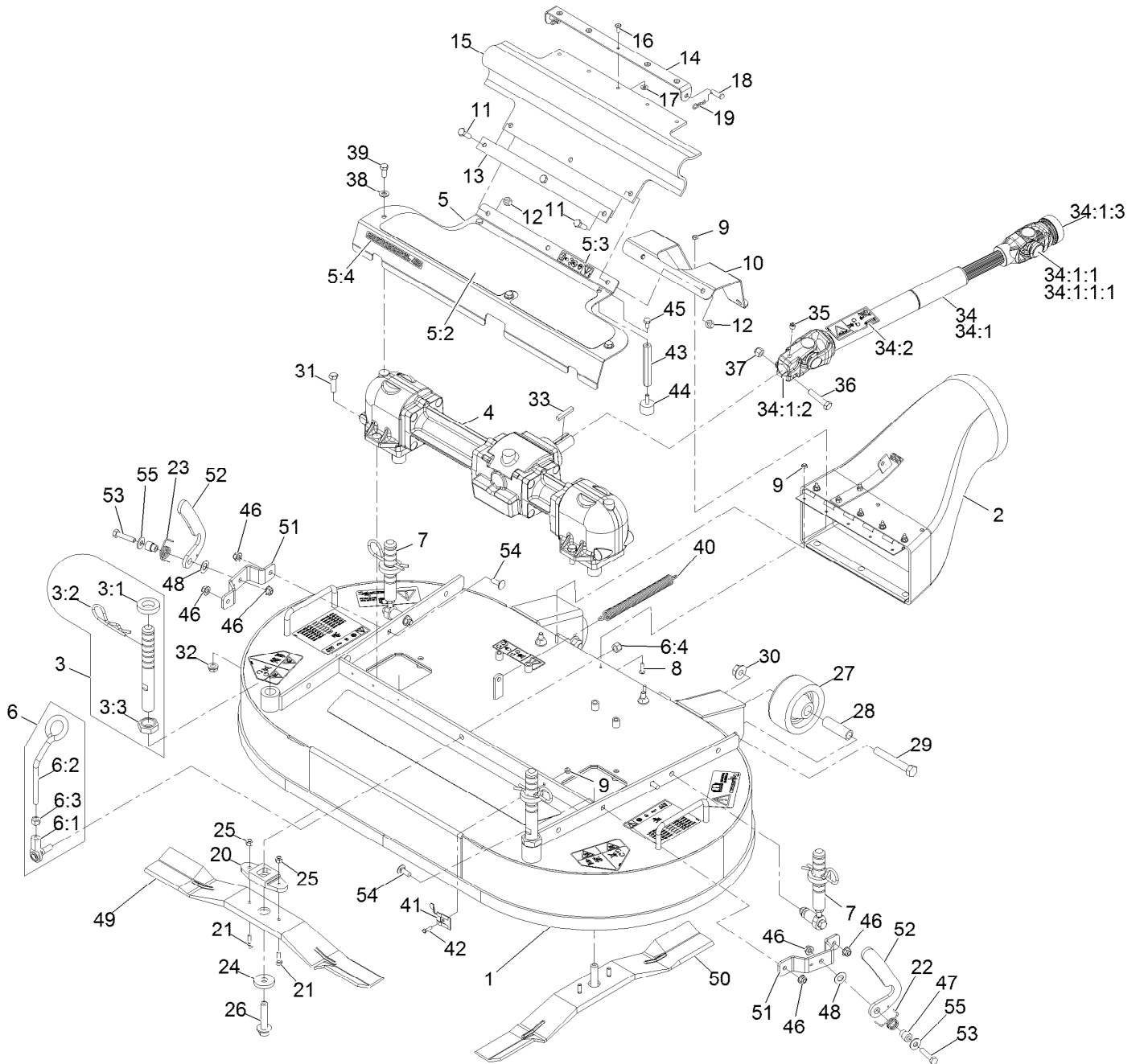
Complete Deck and Support Frame Assembly



Complete Deck and Support Frame Assembly (continued)

<i>Ref.</i>	<i>Part Number</i>	<i>Qty.</i>	<i>Description</i>
1	142-2917	1	Deck-Cutting
2	142-2909	1	Frame-Deck Support

Deck Assembly

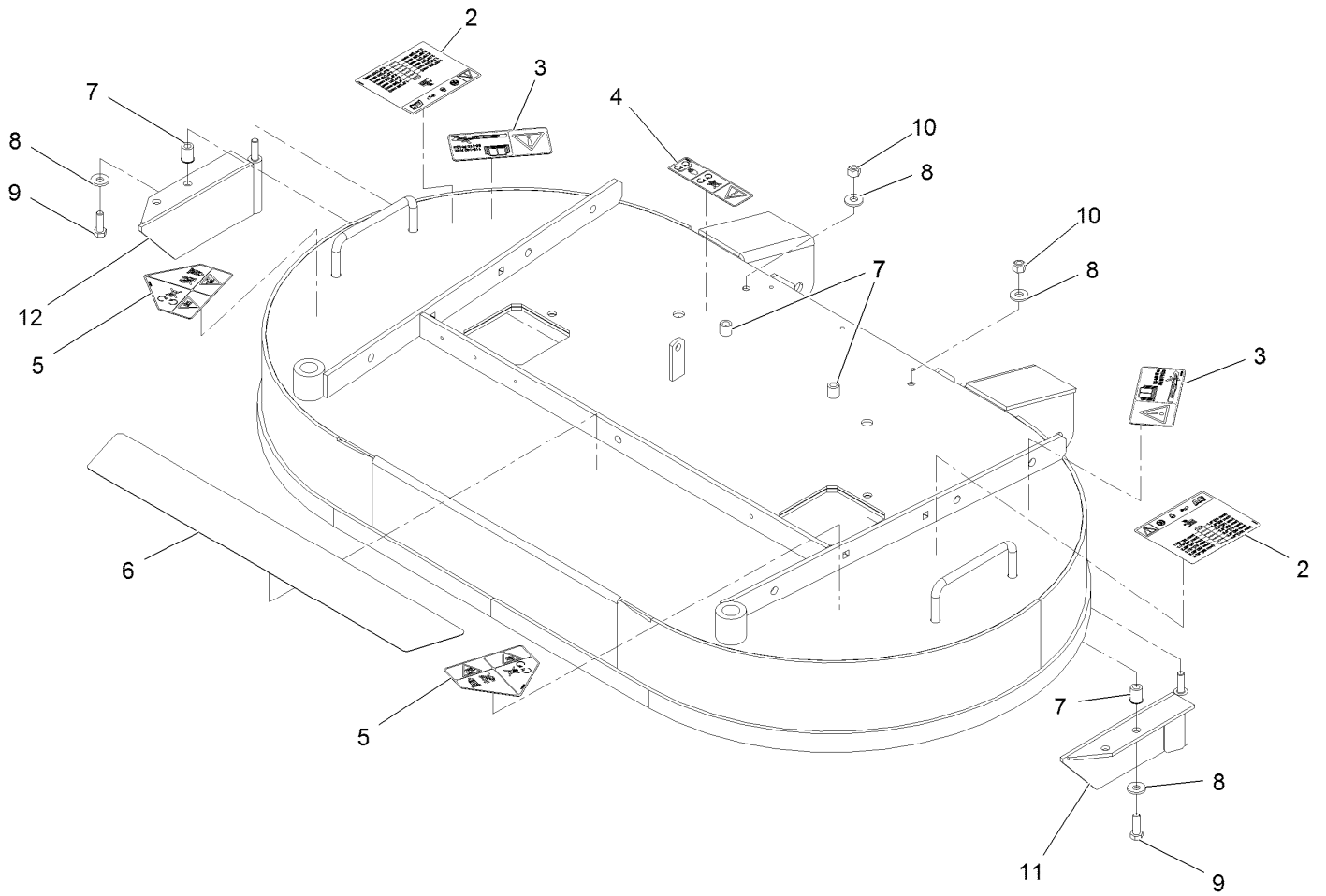


Deck Assembly (continued)

<i>Ref.</i>	<i>Part Number</i>	<i>Qty.</i>	<i>Description</i>	<i>Ref.</i>	<i>Part Number</i>	<i>Qty.</i>	<i>Description</i>
1	142-2918	1	Deck-Cutting 42 W/Decals	25	3296-42	4	Nut-Lock, NI
2	103-9487	1	Discharge Tube ASM	26	92-5816	2	Bolt-Blade
3	109-0321	2	Front Deck Height Adjust ASM	27	103-3700	2	Roller-Deck
3:1	1-413425	1	Spacer-Deck Support	28	103-4230	2	Spacer-Roller
3:2	103-7353	1	Pin-Cut Height	29	325-14	2	Screw-HH
3:3	103-8496	1	Nut-Jam	30	32128-49	2	Nut-HHF
4	103-3460	1	Gearbox ASM	31	323-7	4	Screw-HH
5	103-9497	1	Asm, Gearbox Cover W/Decal (42")	32	3290-357	4	Nut-HHF, Whiz
5:2	103-8626	1	Pad-Anti Skid	33	67-7490	1	Key-Square
5:3	119-0217	1	Decal-Danger	34	103-9485	1	Drive Shaft ASM
5:4	126-7280	1	Decal-Commercial 42	34:1		1	Drive Shaft-Telescoping ●
6	103-8363	1	Deck Latch ASM	34:1:1	54-9180	2	U-Joint Kit
6:1	103-7994	1	Balljoint-RH	34:1:1:1	62-3820	1	Fitting-Grease
6:2	103-8307	1	Latch-Deck	34:1:2	103-9328	1	Yoke-Keyed
6:3	3219-3	1	Nut-Hex	34:1:3	103-9329	1	Yoke-Quick Disconnect
6:4	3296-6	1	Nut-Lock	34:2	116-9049	1	Decal-Danger, Driveline
7	109-0322	2	Rear Deck Height Adjust ASM	35	3247-2	1	Screw-Set, HSH
8	1-803075	3	Screw-Head, Truss	36	323-9	1	Screw-HH
9	3296-2	6	Nut-Lock, NI	37	3296-39	1	Nut-Lock, NI
10	116-7842-01	1	Guard-Drive Shaft	38	3256-23	3	Washer-Plain
11	322-5	3	Screw-HH	39	322-3	3	Screw-HH
12	3296-29	3	Nut-Lock, NI	40	103-8841	1	Spring-Extension
13	103-6290-03	1	Strap-Drive, Line Cover	41	1-513690	1	Clip-Deck, Hold Up Rod
14	103-6183-03	1	Bracket-Guard, PTO	42	3290-134	1	Screw
15	103-5979	1	Guard-PTO	43	103-8610	2	Stand-Off
16	114439	5	Rivet-Blind	44	1-523420	2	Bumper
17	3256-14	5	Washer-Flat	45	321-2	2	Screw-HH
18	1-808280	2	Pin-Clevis	46	104-8300	6	Nut-HF, NI
19	1-806003	2	Pin-Cotter	47	108-9087	2	Collar-Basket
20	103-7705	2	Driver-Blade	48	110-4068	2	Washer-Plastic
21	99-0283	4	Bolt-Shear	49	103-4210	1	Blade, RH (42") Red
22	75-3960	1	Spring-Torsion, LH (Yellow)	50	103-4209	1	Blade, LH (42") Black
23	75-3970	1	Spring-Torsion, RH	51	142-2236-01	2	Bracket-Latch Pivot
24	30-8770	2	Washer	52	142-2475	2	Latch - Deck
				53	322-7	2	Screw-HH
				54	3230-10	4	Bolt-CARR
				55	3256-3	2	Washer-Flat

● Not serviced separately

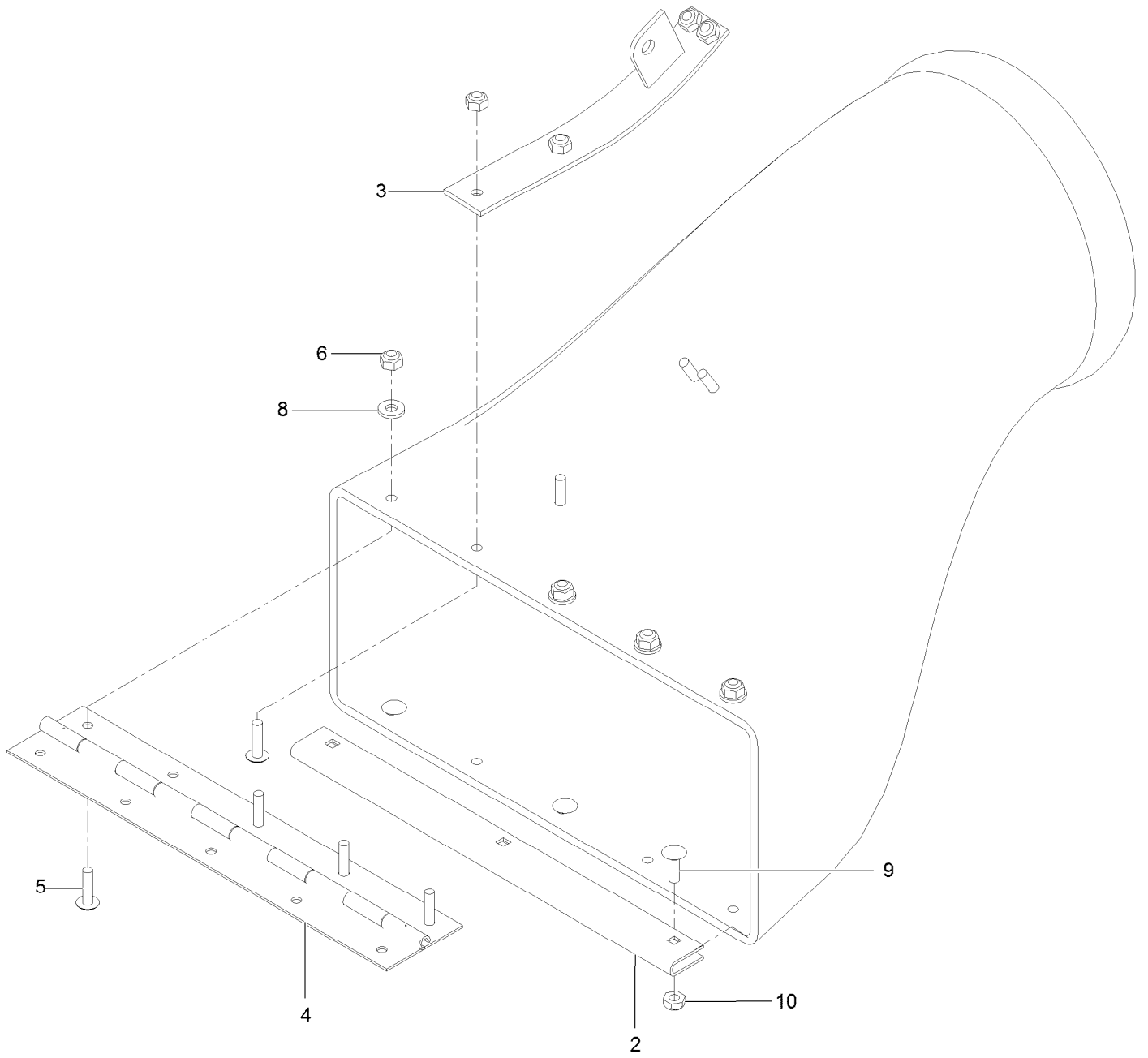
Deck W/Decals Assembly



Deck W/Decals Assembly (continued)

<i>Ref.</i>	<i>Part Number</i>	<i>Qty.</i>	<i>Description</i>	<i>Ref.</i>	<i>Part Number</i>	<i>Qty.</i>	<i>Description</i>
2	116-8934	2	Decal-Height Adjust, Cutting	8	1-303334	4	Washer-Spring
3	93-7818	2	Decal-Torque, Blade Bolt	9	322-5	2	Screw-HH
4	112-9028	1	Decal-Cover, Missing	10	3296-29	2	Nut-Lock, NI
5	112-8760	2	Decal-Danger	11	109-4053-01	1	Baffle-LH
6	103-8667	1	Pad-Anti Skid	12	109-4054-01	1	Baffle-RH
7	32148-7	4	Nut-Clinch				

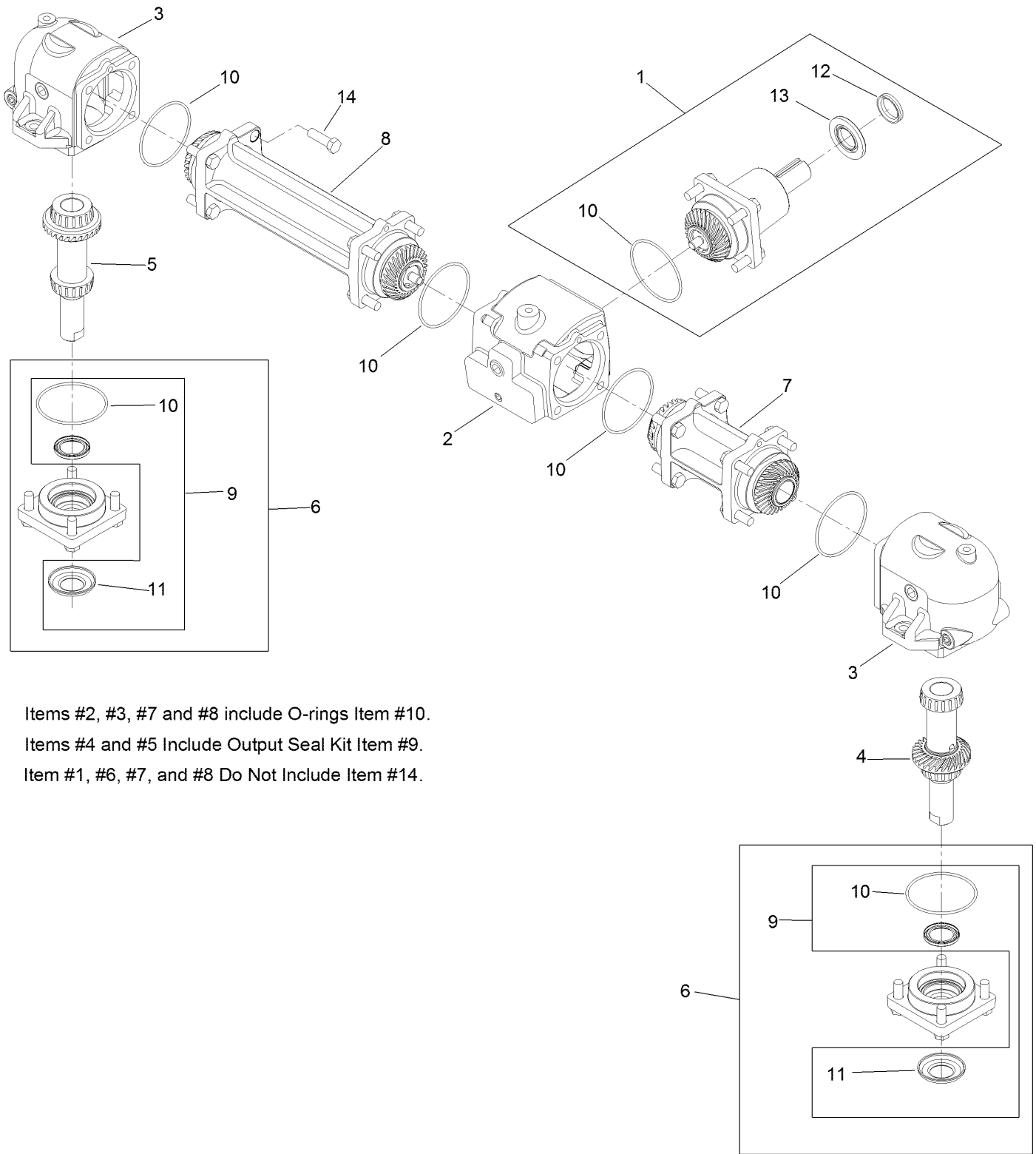
Discharge Tube Assembly



Discharge Tube Assembly (continued)

<i>Ref.</i>	<i>Part Number</i>	<i>Qty.</i>	<i>Description</i>	<i>Ref.</i>	<i>Part Number</i>	<i>Qty.</i>	<i>Description</i>
2	109-2228-03	1	Guard-Plenum	6	3296-2	8	Nut-Lock, NI
3	103-5868-01	1	Mount-Spring	8	3256-14	4	Washer-Flat
4	139-4460	1	Hinge-Piano	9	1-807533	3	Bolt-CARR
5	1-803075	8	Screw-Head, Truss	10	3296-12	3	Nut-Lock, NI

Gearbox Assembly No. 103-3460



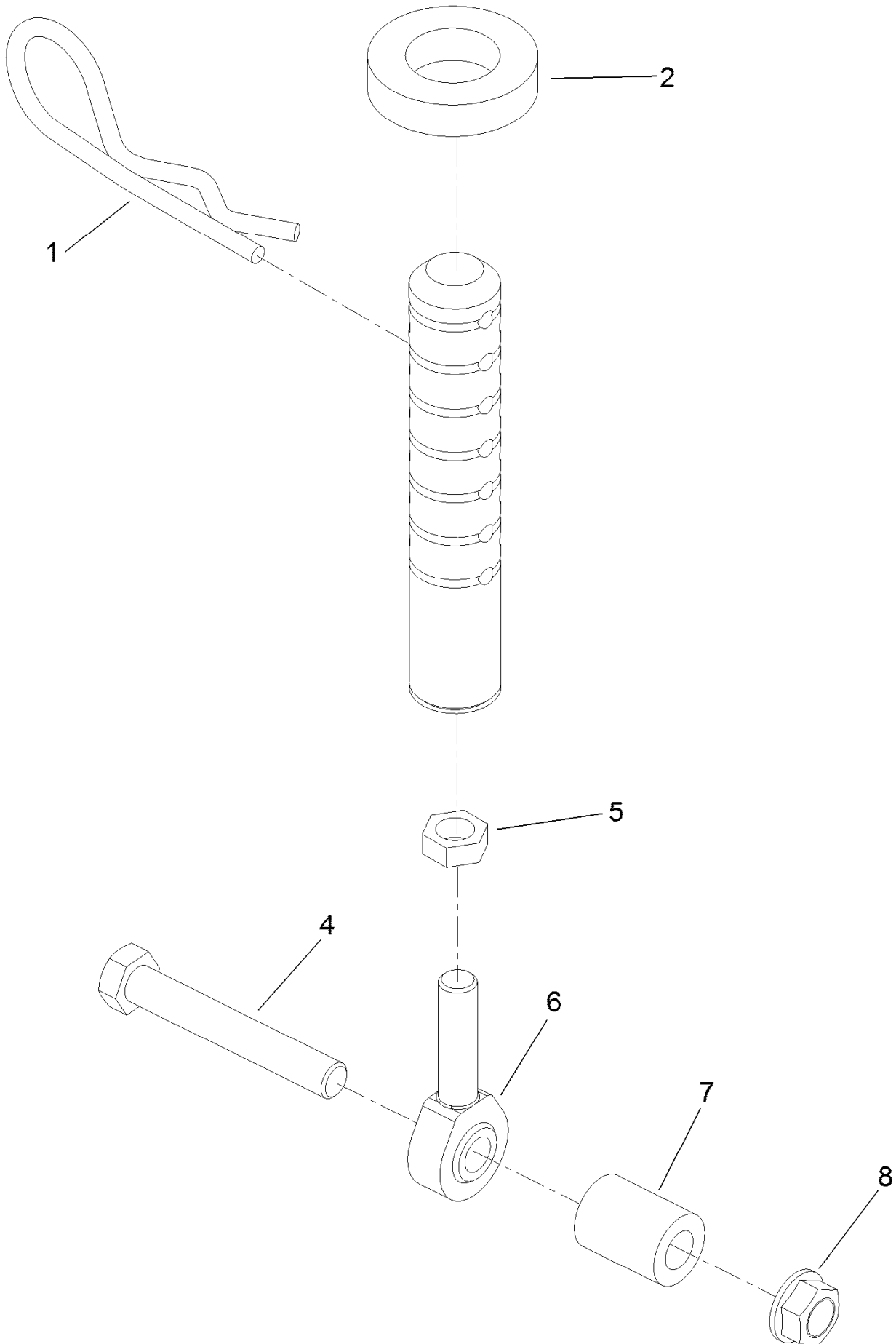
Items #2, #3, #7 and #8 include O-rings Item #10.
 Items #4 and #5 Include Output Seal Kit Item #9.
 Item #1, #6, #7, and #8 Do Not Include Item #14.

Gearbox Assembly No. 103-3460 (continued)

<i>Ref.</i>	<i>Part Number</i>	<i>Qty.</i>	<i>Description</i>	<i>Ref.</i>	<i>Part Number</i>	<i>Qty.</i>	<i>Description</i>
1	109-0188	1	Input Pinion ASM	7	109-0197	1	Tube-Connector, Short
2	109-0190	1	Housing-Center	8	109-0199	1	Tube-Connector, Long
3	109-0191	1	Housing-End	9	109-0201	1	Output Seal Kit
4	109-0192	1	LH Output Shaft And Gear ASM	10	109-0203	1	Seal-O-Ring
5	109-0194	1	RH Output Shaft And Gear ASM	11	109-0204	1	Washer-Cupped
6	109-0196	1	Cap-Output	12	109-0205	1	Seal-V-Ring ●
				13	109-0202	1	Seal-Input ●
				14	93-3987	28	Bolt-Blade

● Apply bead of Mobil HTS grease (P/N 103-5217 1.5 oz packet) (or a food-grade anti-seize) between input seal and v-ring.

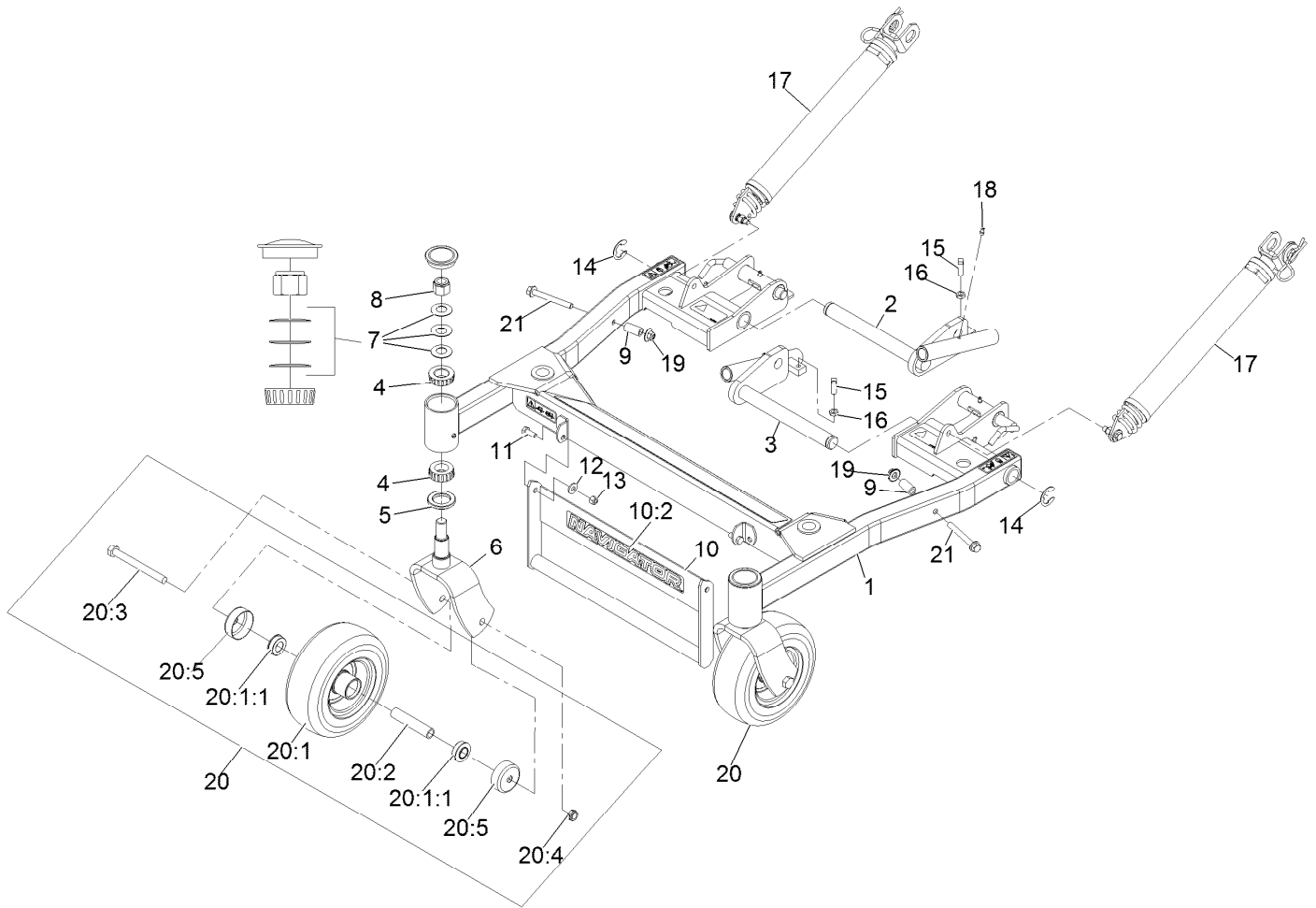
Rear Deck Height Adjustment Assembly No. 109-0322



Rear Deck Height Adjustment Assembly No. 109-0322 (continued)

<i>Ref.</i>	<i>Part Number</i>	<i>Qty.</i>	<i>Description</i>	<i>Ref.</i>	<i>Part Number</i>	<i>Qty.</i>	<i>Description</i>
1	103-7353	1	Pin-Cut Height	6	1-613204	1	Balljoint
2	1-413425	1	Spacer-Deck Support	7	106-5620	1	Tube-Interlock
4	323-11	1	Screw-HH	8	3290-357	1	Nut-HHF, Whiz
5	3220-3	1	Nut-HJ				

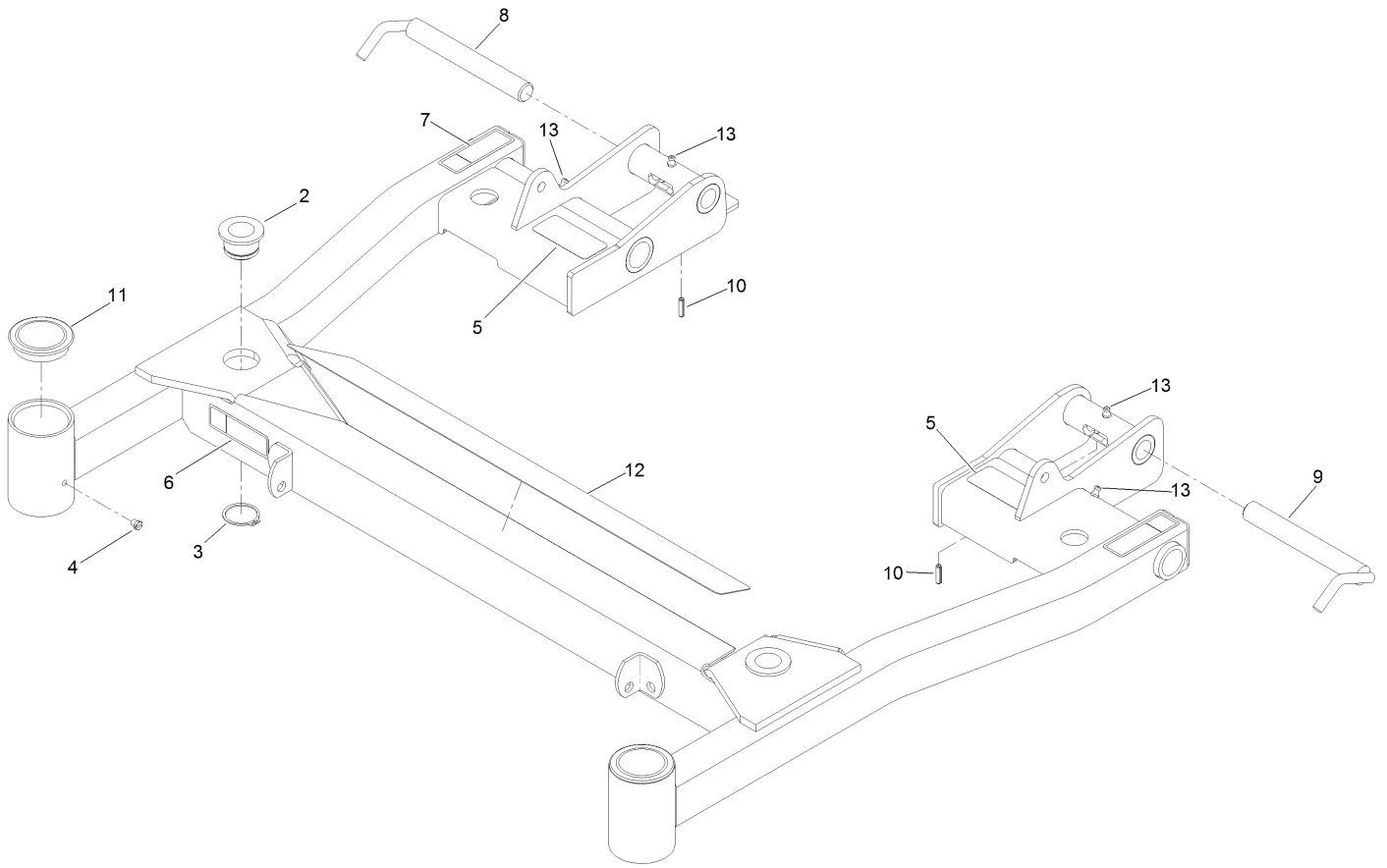
Deck Support Frame Assembly



Deck Support Frame Assembly (continued)

<i>Ref.</i>	<i>Part Number</i>	<i>Qty.</i>	<i>Description</i>	<i>Ref.</i>	<i>Part Number</i>	<i>Qty.</i>	<i>Description</i>
1	142-2910	1	Frame-Deck Support W/Decals	13	3296-29	2	Nut-Nyloc 5/16-18
2	103-3729-01	1	Pivot-Deck, RH	14	1-808519	2	Ring-Snap
3	103-3732-01	1	Pivot-Deck, LH	15	3243-5	2	Setscrew-SQH 3/8-16 X 1
4	1-543509	4	Cone-Bearing Tapered Roller	16	3218-3	2	Nut-Jam 3/8-16
5	1-543511	2	Seal-Grease	17	116-7850	2	Lift Assist Spring ASM
6	109-1933-01	2	Fork-Caster	18	302-19	2	Zerk-1/4-28 Str
7	1-633508	6	Washer-Spring Disc	19	109-6658	2	Nut-Nyloc 3/8-16 Flg
8	3296-51	2	Nut-Nyloc 3/4-10	20	135-5966	2	ASM,Ff Caster Wheel W/Axle
9	108-6544	2	Spacer	20:1	135-5962	1	ASM,Wheel And Tire
10	103-9482	1	Asm, Deck Lift Handle W/Decal	20:1:1	135-5963	2	Bearing-Ball
10:2	126-7199	1	Decal-Navigator Logo	20:2	109-2094	1	Spacer-Caster, Front
11	322-4	2	Screw-HH 5/16-18 X 7/8	20:3	325-19	1	Screw-HH 1/2-13 X 5
12	1-303334	2	Washer-Spring Disc 5/16	20:4	3296-45	1	Nut-Nyloc 1/2-13 Thin
				20:5	103-2768	2	Guard-Seal
				21	3234-41	2	Screw-HHF

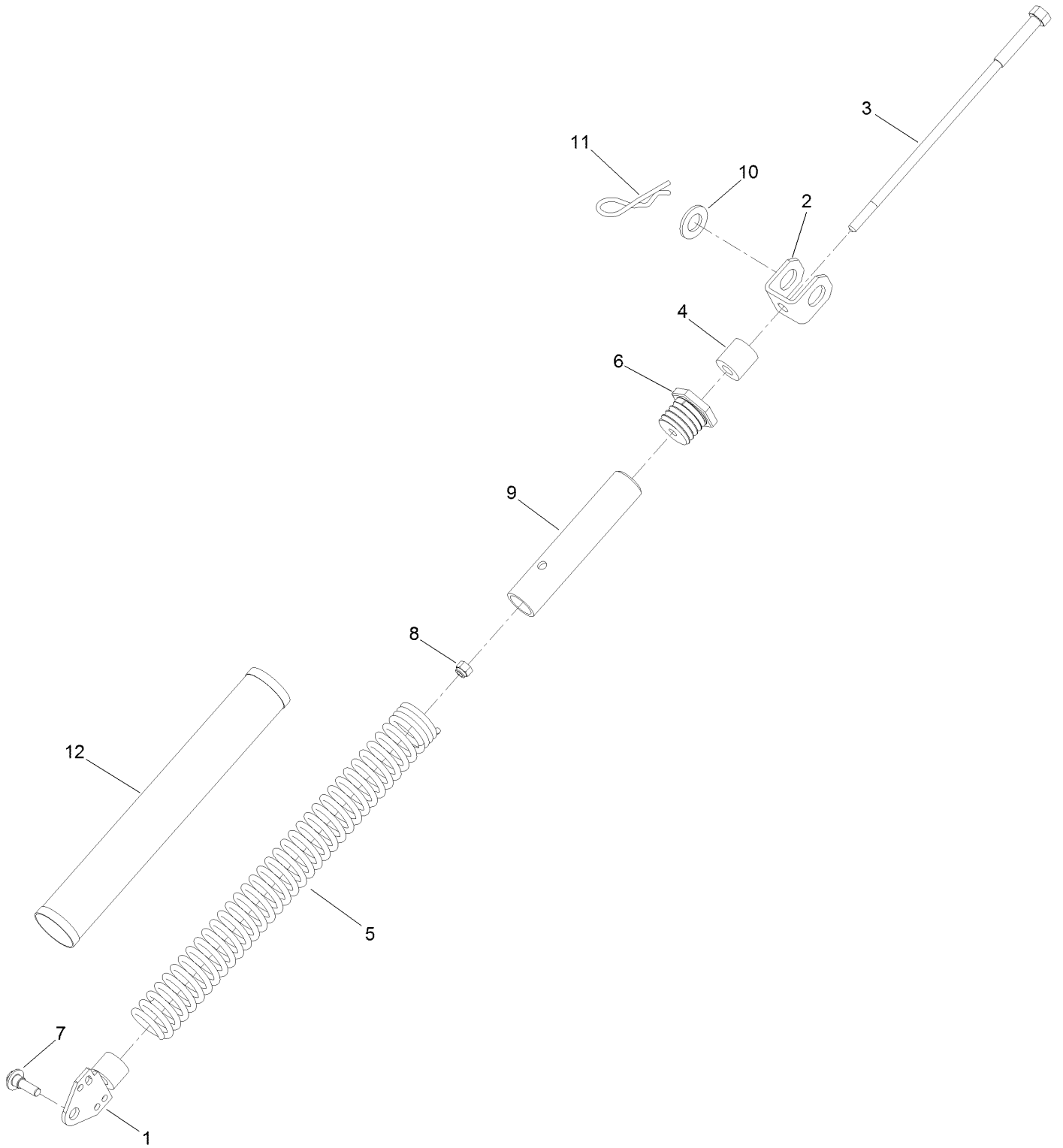
Deck Support W/Decals Assembly No. 103-9481



Deck Support W/Decals Assembly No. 103-9481 (continued)

<i>Ref.</i>	<i>Part Number</i>	<i>Qty.</i>	<i>Description</i>	<i>Ref.</i>	<i>Part Number</i>	<i>Qty.</i>	<i>Description</i>
2	103-7436	2	Bushing-Support, Deck	8	103-4119	1	Lock-Deck, RH
3	32120-33	2	Ring-Retaining	9	103-4118	1	Lock-Deck, LH
4	1-811010	2	Plug	10	32121-3	2	Pin-Spring
5	93-6696	2	Decal-Warning	11	103-4882	2	Cap-Grease
6	116-8936	1	Decal-Danger	12	103-8667	1	Pad-Anti Skid
7	116-8935	2	Decal-Warning, Folding Deck	13	302-19	4	Fitting-Grease

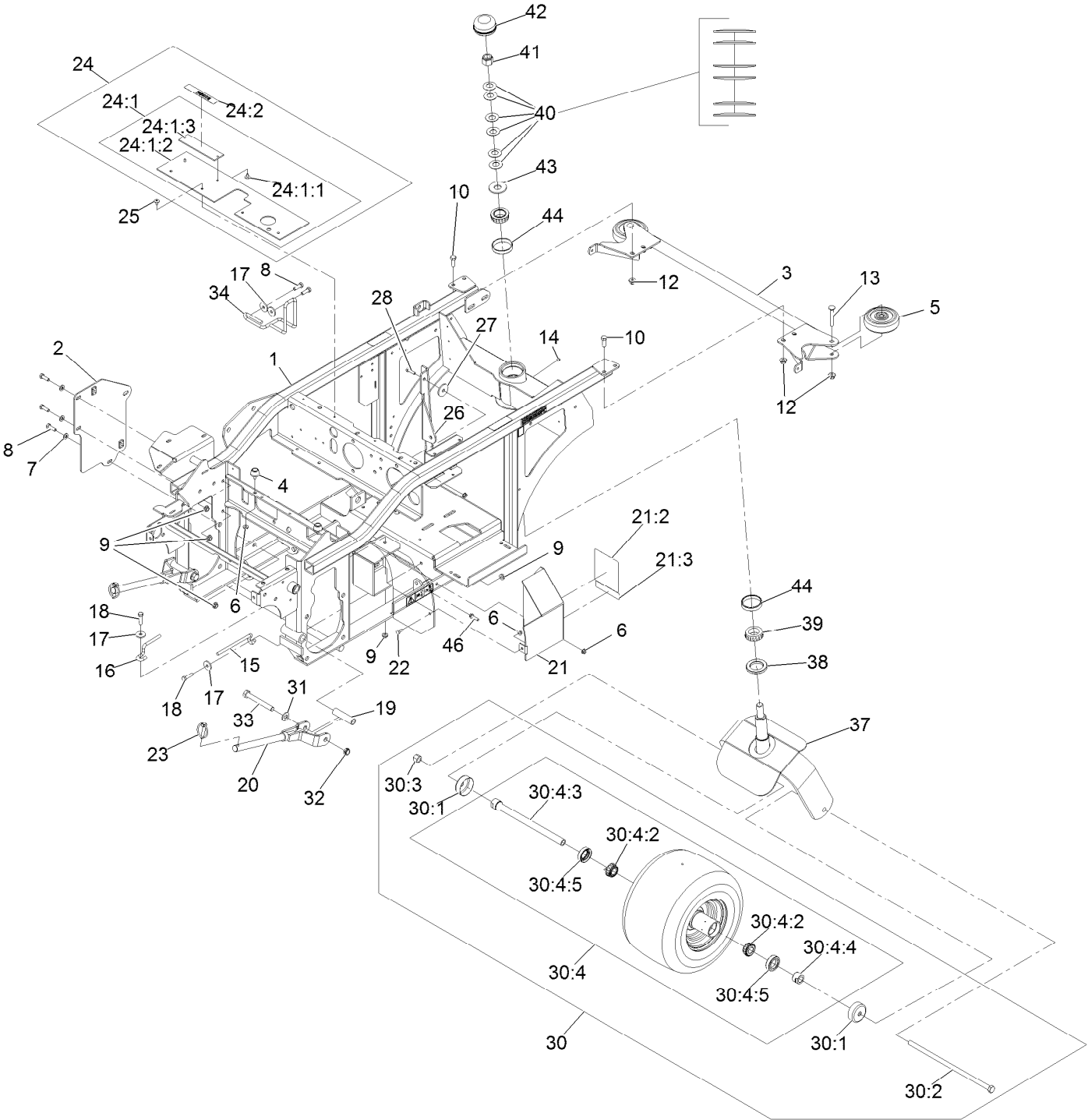
Spring Lift Assist Assembly No. 116-7850



Spring Lift Assist Assembly No. 116-7850 (continued)

<i>Ref.</i>	<i>Part Number</i>	<i>Qty.</i>	<i>Description</i>	<i>Ref.</i>	<i>Part Number</i>	<i>Qty.</i>	<i>Description</i>
1	103-4284	1	Tensioner-Spring	7	614672	1	Screw-Shoulder, HWH
2	103-4285	1	Mount-Lift Assist, Deck	8	3296-39	2	Nut-Lock, NI
3	103-3773	1	Shaft-Adjustment, Spring	9	103-7865	1	Spring-Tube
4	109-1978	1	Spacer	10	3256-28	1	Washer-Flat
5	103-4281	1	Spring-Extension	11	103-7353	1	Pin-Cut Height
6	103-3772	1	Plug-Adjuster, Spring	12	103-7971	1	Cover-Spring, Deck

Main Frame Assembly



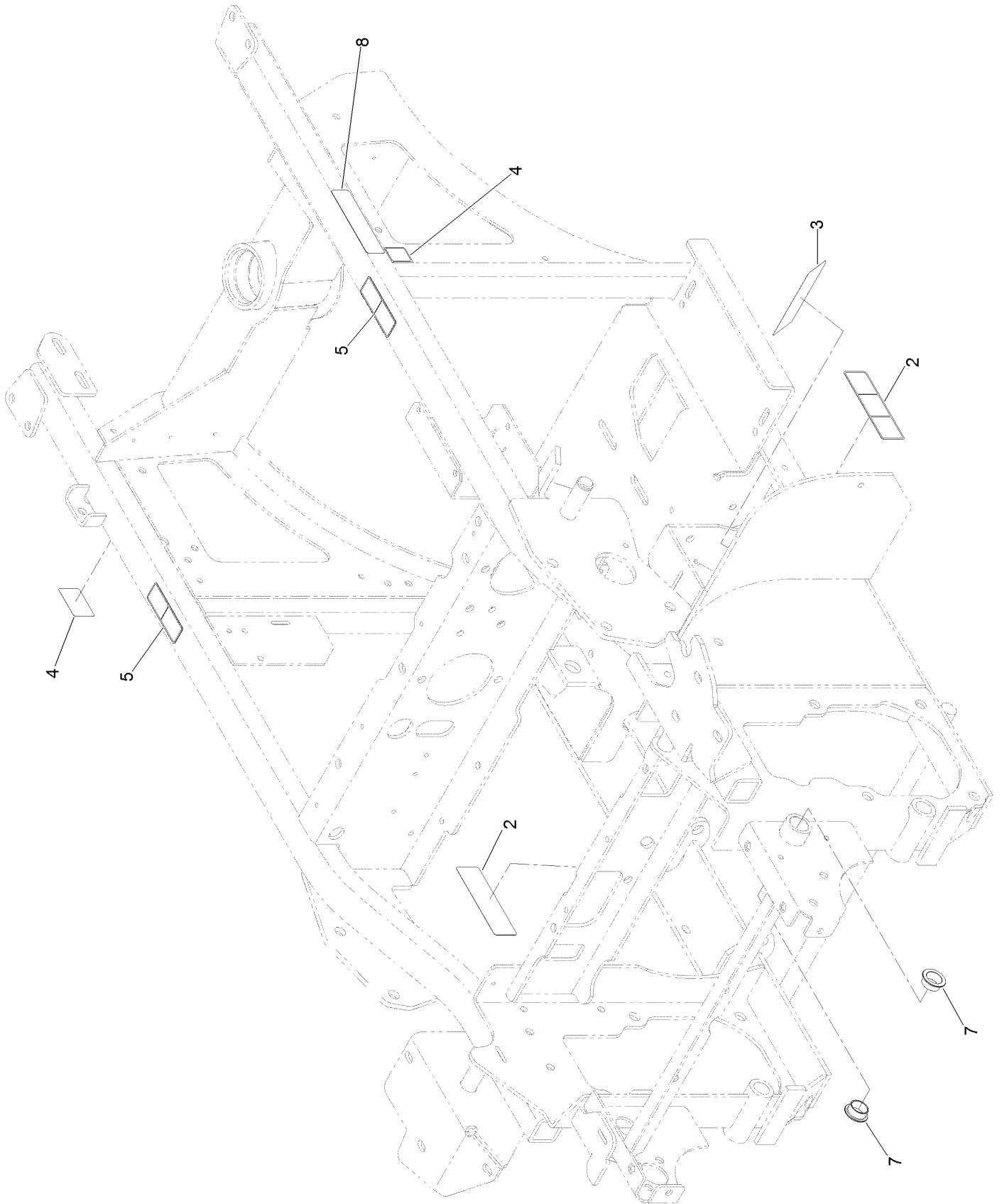
Main Frame Assembly (continued)

<i>Ref.</i>	<i>Part Number</i>	<i>Qty.</i>	<i>Description</i>	<i>Ref.</i>	<i>Part Number</i>	<i>Qty.</i>	<i>Description</i>
1	116-7482	1	Frame ASM	25	1-803035	4	Rivet 3/16 X 1/4
2	116-7396-03	1	Plate-Support	26	109-5874-03	1	Brace-PTO
3	109-0925-03	1	Bumper-Rear	27	1-213069	1	Washer
4	109-2365	1	Bumper-Rubber	28	321-6	1	Screw-HH 1/4-20 X 1
5	103-5408	2	Roller-Bumper	30	103-9494	1	Asm, Rear Caster Wheel W/Axle
6	32128-33	5	Nut-Whizlock 1/4-20	30:1	103-2768	2	Guard-Seal
7	3256-23	3	Washer-5/16 SAE	30:2	103-7738	1	Screw-HH 1/2-13 X 13
8	322-5	5	Screw-HH 5/16-18 X 1	30:3	3296-23	1	Nut-Nyloc 1/2-13
9	32128-20	5	Nut-Whizlock 5/16-18	30:4	103-5305	1	Asm, Wheel Tire And Brg 13X8.00-6 Sp
10	323-6	4	Screw-HH 3/8-16 X 1	30:4:2	1-633585	2	Bearing-Cone Tapered Roller
12	104-8301	6	Nut-Nyloc 3/8-16 Flg	30:4:3	126-5362	1	Axle Caster ASM
13	3231-31	2	Bolt-Carriage 3/8-16 X 2 1/2	30:4:4	103-3051	1	Spacer-Nut ■
14	1-811010	1	Plug	30:4:5	103-0063	2	Seal-Double Lip
15	103-8333	1	Guide-Belt	31	3256-26	2	Washer-1/2 SAE
16	103-8349	1	Guide-Belt	32	3296-45	2	Nut-Nyloc 1/2-13 Thin
17	1-613235	4	Washer	33	325-17	2	Screw-HH 1/2-13 X 4
18	322-6	2	Screw-HH 5/16-18 X 1 1/4	34	135-5784	1	Wld-Belt Guide
19	1-633060	2	Spacer-Wheel, Short	37	103-3351-03	1	Fork-Rear Caster
20	103-6596-03	2	Rod-Push	38	103-9027	1	Seal-Grease
21	130-2879	1	Drive Shield ASM	39	103-9028	2	Cone-Bearing Taper Roller
21:2	116-8941	1	Decal-Belt Routing	40	1-633508	6	Washer-Spring Disc
21:3	98-1977	1	Decal-Warning	41	3296-51	1	Nut-Nyloc 3/4-10
22	321-3	1	Screw-HH 1/4-20 X 5/8	42	126-9882	1	Cap-Grease
23	103-4155	2	Pin-Lynch	43	3256-8	1	Washer
24	103-9476	1	Lift Shield ASM	44	103-9029	2	Cup-Bearing Tapered Roller
24:1		1	Shield-Lift ●	46	120-4654	1	Screw-HHF 1/4-20 X 1
24:1:1	1-803035	2	Rivet 3/16 X 1/4				
24:1:2	103-8819	1	Flap-Guard				
24:1:3	103-9114-03	1	Plate-Decal				
24:2	98-1977	1	Decal-Warning				

● Not serviced separately

■ Use Pro-Lock, Nut Type (P/N 1-840022, .5ml tube) on threads.

Frame and Decal Assembly No. 116-7482

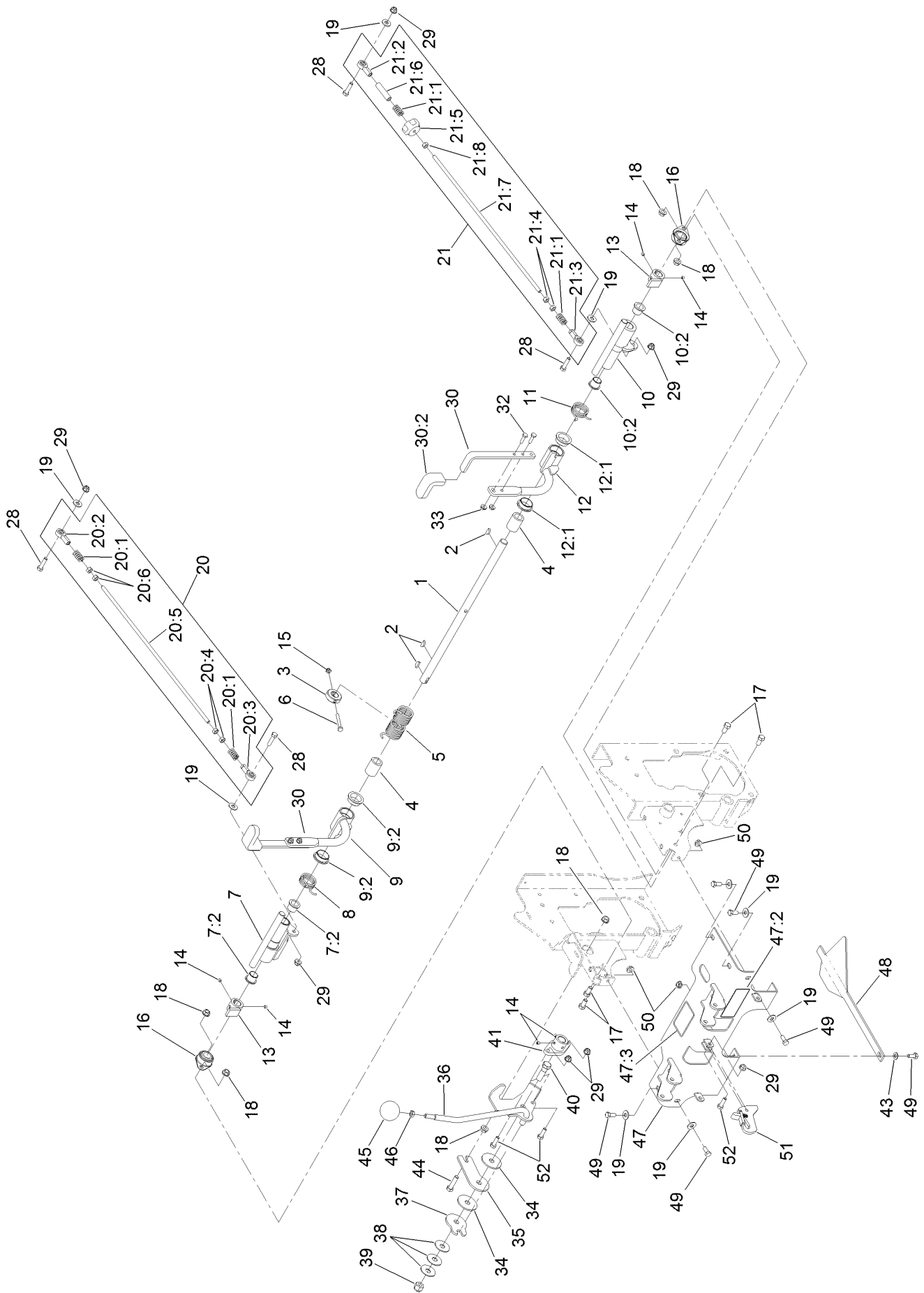


Frame and Decal Assembly No. 116-7482 (continued)

<i>Ref.</i>	<i>Part Number</i>	<i>Qty.</i>	<i>Description</i>
2	112-9028	2	Decal-Cover, Missing
3	126-4207	1	Decal-Adjustment, Clutch
4	106-5517	2	Decal-Warning

<i>Ref.</i>	<i>Part Number</i>	<i>Qty.</i>	<i>Description</i>
5	120-0625	2	Decal-Warning
7	108519	2	Bushing-Bronze
8	133-8062	1	Decal-Arrestor, Spark

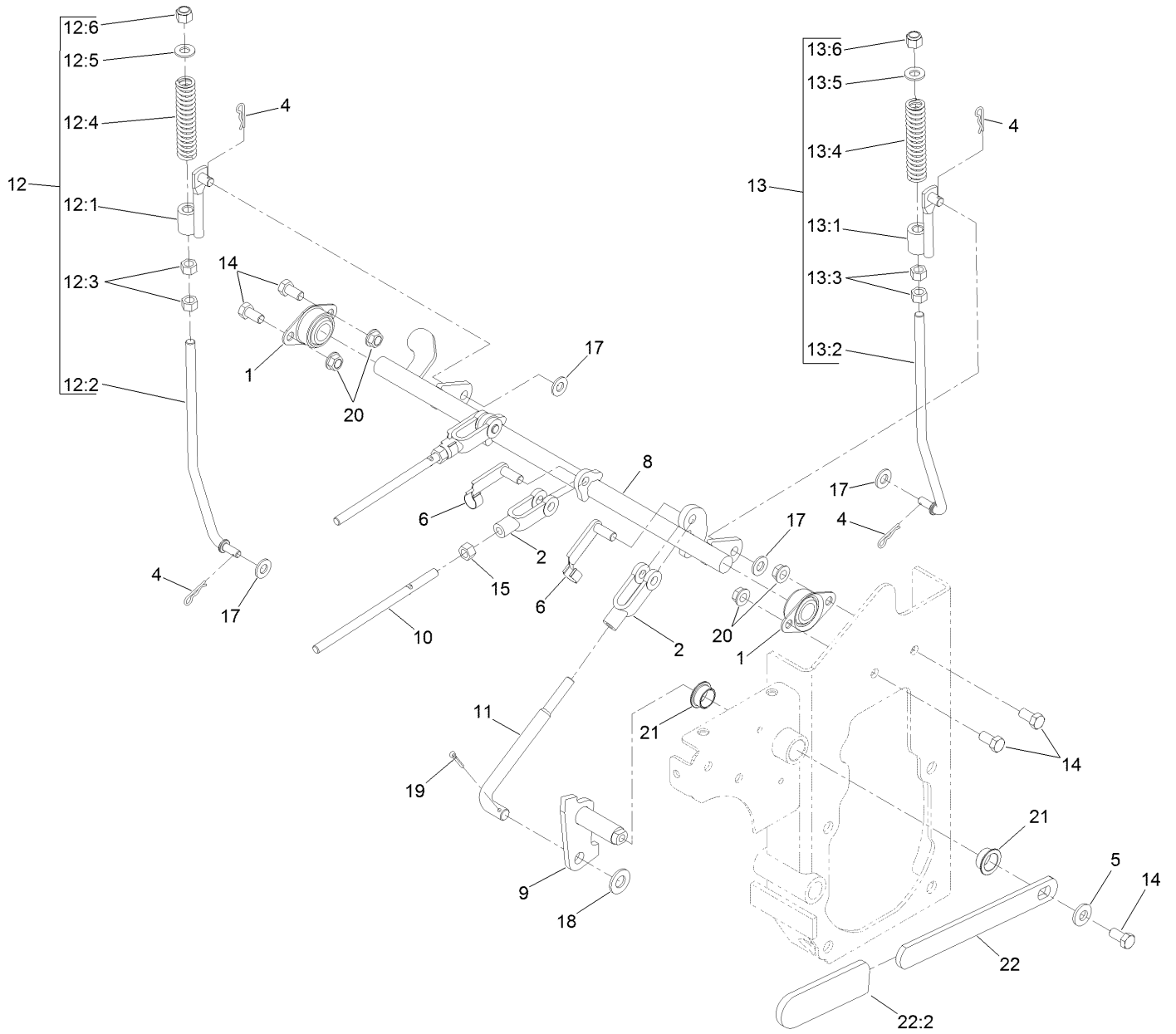
Speed Control Assembly



Speed Control Assembly (continued)

<i>Ref.</i>	<i>Part Number</i>	<i>Qty.</i>	<i>Description</i>	<i>Ref.</i>	<i>Part Number</i>	<i>Qty.</i>	<i>Description</i>
1	116-7856	1	Shaft-Control, Speed	21:4	1-804524	2	Nut
2	3257-5	3	Key-Woodruff	21:5	103-3060	1	Knob-Tracking
3	116-7372	1	Stop-Hub, Center	21:6	103-5945	1	Spacer
4	116-7414	2	Bushing-Plastic	21:7	116-7492	1	Rod-Linkage, Steering
5	116-8475	1	Spring-Torsion, Double	21:8	3219-2	1	Nut-Hex
6	321-11	1	Screw-HH	28	322-6	4	Screw-HH
7	116-8444	1	RH Control Hub ASM	29	104-8300	7	Nut-HF, NI
7:2	103-4398	2	Bearing-Flange, Iglide	30	116-9246	2	Handle ASM
8	116-7380	1	Spring-Torsion, RH	30:2	103-5994	1	Grip-Handle, Steering
9	126-7461	1	RH Steering Handle ASM	32	321-5	4	Screw-HH
9:2	116-7422	2	Bearing-Flange, Iglide	33	32128-33	4	Nut-HF
10	116-7416	1	LH Control Hub ASM	34	103-5009	2	Disc-Friction
10:2	103-4398	2	Bearing-Flange, Iglide	35	116-7846	1	Plate-Friction, Speed Control
11	116-7381	1	Spring-Torsion, LH				
12	126-7463	1	LH Steering Handle ASM	36	116-7845	1	Lever-Speed Control
12:1	116-7422	2	Bearing-Flange, Iglide	37	116-7849	1	Plate-Friction, Speed Control
13	103-4342	2	Hub-Speed Control				
14	108-0989	6	Screw-Set	38	103-5018	3	Washer-Disc, Spring
15	3296-56	1	Nut-Lock, NI	39	3296-19	1	Nut-Hex
16	1-633102	2	Bearing-Flange, Side	40	116-7848	1	Screw-HH
17	323-4	4	Screw-HH	41	116-7859	1	Hub-Control, Speed
18	3290-357	6	Nut-HHF, Whiz	43	3256-23	1	Washer-Plain
19	3256-3	9	Washer-Flat	44	323-8	1	Screw-HH
20	116-9667	1	RH Pump Linkage ASM	45	103-4397	1	Knob-Ball, Speed Control
20:1	1-323245	2	Spring-Compression	46	3218-3	1	Nut-Jam
20:2	1-543017	1	Balljoint-RH	47	116-7384	1	Console ASM
20:3	1-633152	1	Balljoint-LH	47:2	116-9049	1	Decal-Danger, Driveline
20:4	1-804524	2	Nut	47:3	116-8946	1	Decal-Motor, Wheel
20:5	116-7492	1	Rod-Linkage, Steering	48	103-5993-03	1	Guide-Plenum
20:6	3219-2	2	Nut-Hex	49	322-3	6	Screw-HH
21	116-9668	1	LH Pump Linkage ASM	50	32128-20	3	Nut-HF
21:1	1-323245	2	Spring-Compression	51	103-8494	1	Hook
21:2	1-543017	1	Balljoint-RH	52	322-5	3	Screw-HH
21:3	1-633152	1	Balljoint-LH				

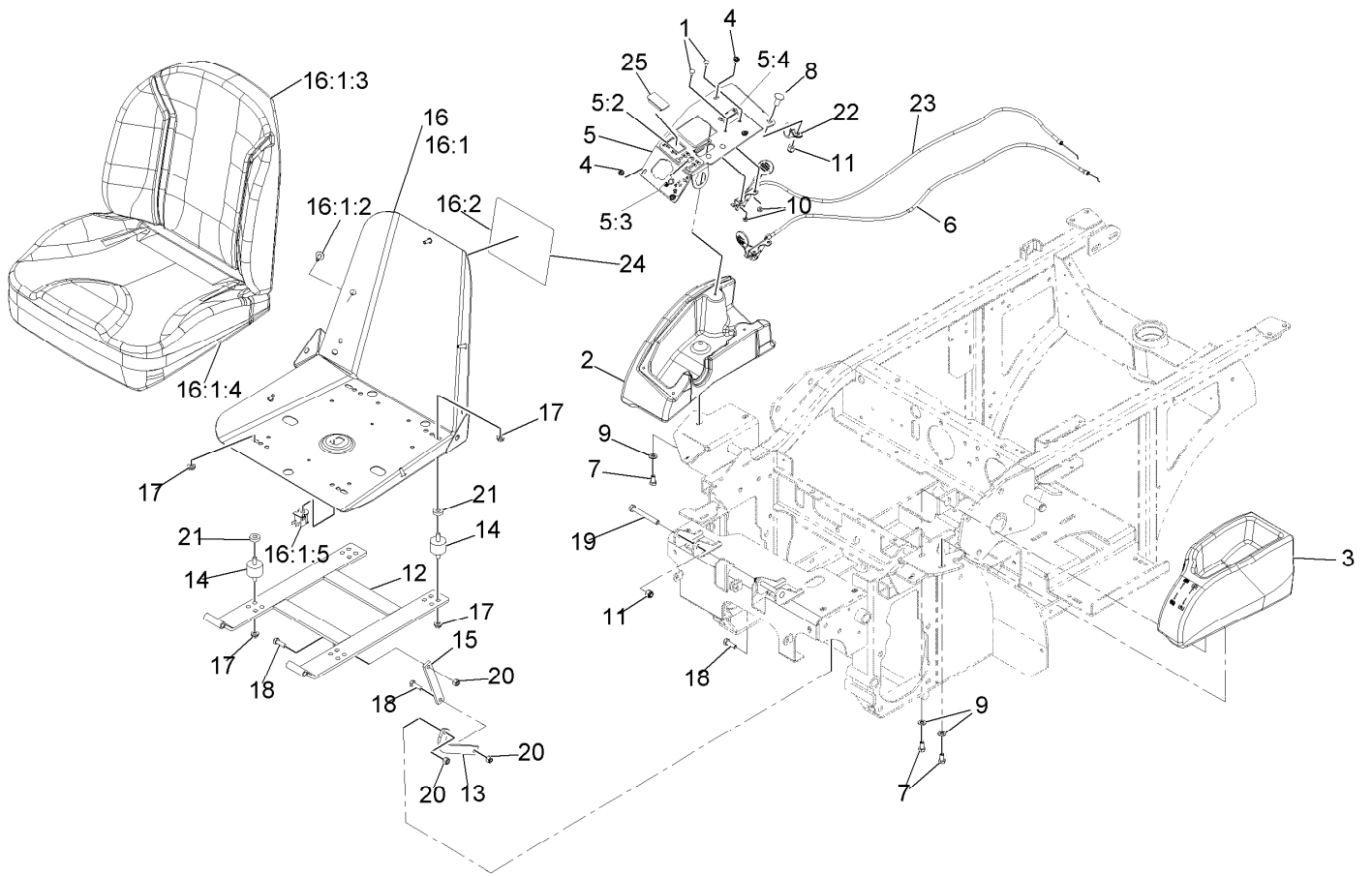
Parking Brake Assembly



Parking Brake Assembly (continued)

<i>Ref.</i>	<i>Part Number</i>	<i>Qty.</i>	<i>Description</i>	<i>Ref.</i>	<i>Part Number</i>	<i>Qty.</i>	<i>Description</i>
1	1-633102	2	Bearing-Flange, Side	13	116-9749	1	LH Brake Linkage ASM
2	1-633131	3	Yoke-Linkage, Brake	13:1	116-8467	1	Brake Linkage ASM
4	1-806003	4	Pin-Cotter	13:2	116-8464	1	Link-Brake, LH
5	98-5975	1	Washer-Belleville	13:3	3219-3	2	Nut-Hex
6	103-2399	3	Pin-Spring, Clevis	13:4	116-8470	1	Spring-Compression
8	116-7483-03	1	Shaft-Brake	13:5	3256-24	1	Washer-Flat
9	116-7486	1	Pivot-Brake	13:6	3296-6	1	Nut-Lock
10	116-7838	2	Rod-Linkage, Brake	14	323-4	5	Screw-HH
11	116-8474	1	Rod-Linkage, Brake	15	3219-3	2	Nut-Hex
12	116-9748	1	RH Brake Linkage ASM	17	3256-24	4	Washer-Flat
12:1	116-8467	1	Brake Linkage ASM	18	3256-26	1	Washer-Flat
12:2	116-8465	1	Link-Brake, RH	19	3272-10	1	Pin-Cotter
12:3	3219-3	2	Nut-Hex	20	3290-357	4	Nut-HHF, Whiz
12:4	116-8470	1	Spring-Compression	21	108519	2	Bushing-Bronze
12:5	3256-24	1	Washer-Flat	22	103-9469	1	Park Brake Handle ASM
12:6	3296-6	1	Nut-Lock	22:2	1-633268	1	Grip-Lever

Seat Assembly

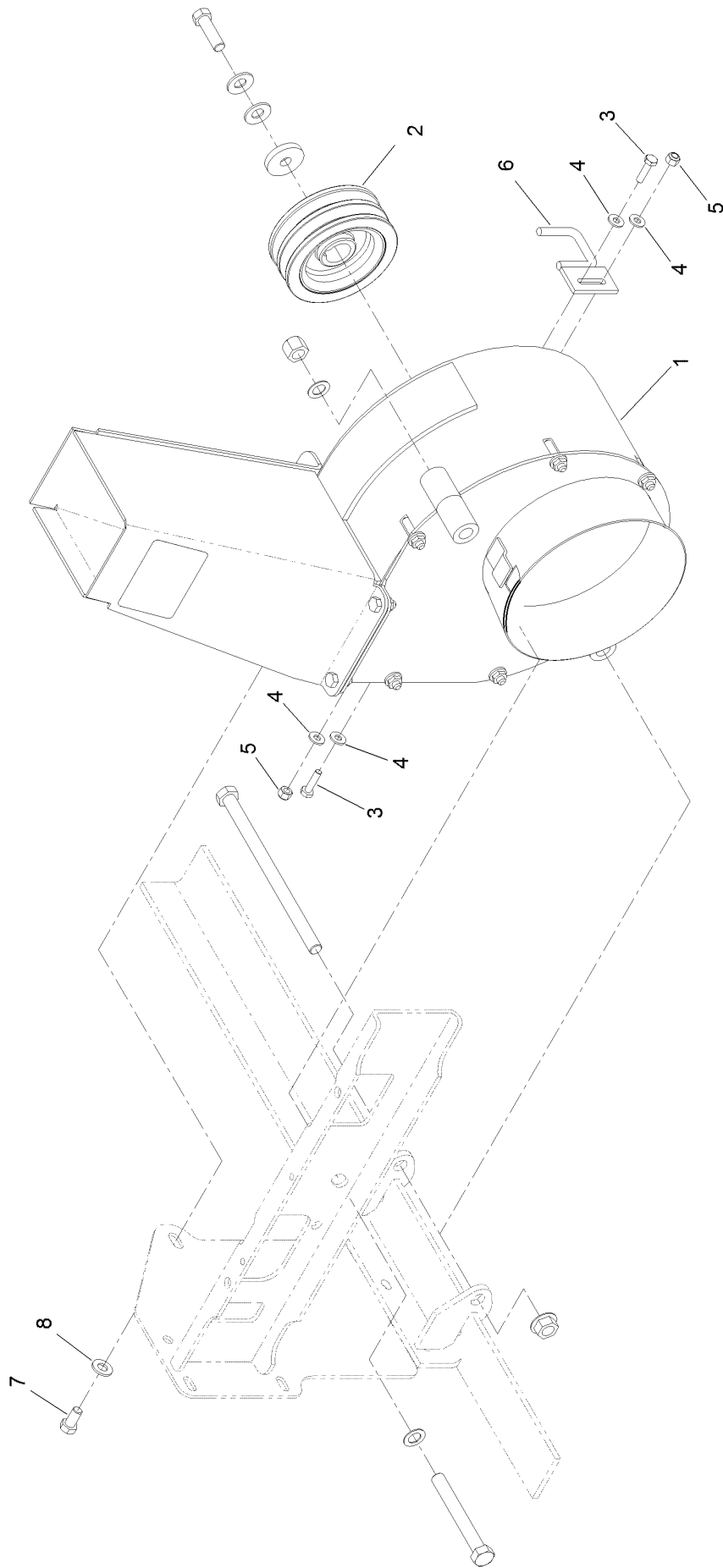


Seat Assembly (continued)

<i>Ref.</i>	<i>Part Number</i>	<i>Qty.</i>	<i>Description</i>	<i>Ref.</i>	<i>Part Number</i>	<i>Qty.</i>	<i>Description</i>
1	1-807513	4	Bolt-Carriage #10-24 X 1/2	16	126-9643	1	ASM-Seat W/Decal
2	116-9430	1	Console-RH	16:1		1	ASM-Seat, Navigator ●
3	126-4342	1	Console, LH Grey	16:1:2	103-8383	5	Screw-HWH 1/4-20 X 3/4 Taptite
4	109-2661	4	Screw-PPH #10-24 X 1/2	16:1:3	131-4150	1	Cushion-Seat, Back
5	116-9374	1	Control Panel ASM	16:1:4	126-5900	1	Cover-Seat Bottom Svc
5:2	116-9375	1	Decal-Nav Console 640Kc	16:1:5	82-2190	1	Switch
5:3	126-7442	1	Decal-Speed Control	16:2	116-9044	1	Decal-Service Aid
5:4	116-9470	1	Decal-Choke	17	32128-20	8	Nut-Whizlock 5/16-18
6	109-4641	1	Cable-Throttle	18	322-5	3	Screw-HH 5/16-18 X 1
7	322-2	6	Screw-HH 5/16-18 X 5/8	19	323-14	2	Screw-HH 3/8-16 X 3
8	3231-27	1	Bolt-Carriage 3/8-16 X 7/8	20	3296-29	3	Nut-Nyloc 5/16-18
9	3256-23	6	Washer-5/16 SAE	21	5-0652	4	Spacer
10	3296-2	4	Nut-Nyloc #10-24	22	1-643312	1	Clip-Loom
11	3296-39	3	Nut-Nyloc 3/8-16	23	109-4640	1	Cable-Choke
12	103-4362-03	1	Frame-Seat	24	116-9044	1	Decal-Service Aid
13	116-9554	1	Link-Seat Stop	25	99-7420	1	Plug-Hole
14	103-5496	4	Mount-Vibration, Rubber				
15	103-8563	1	Link-Seat				

● Not serviced separately

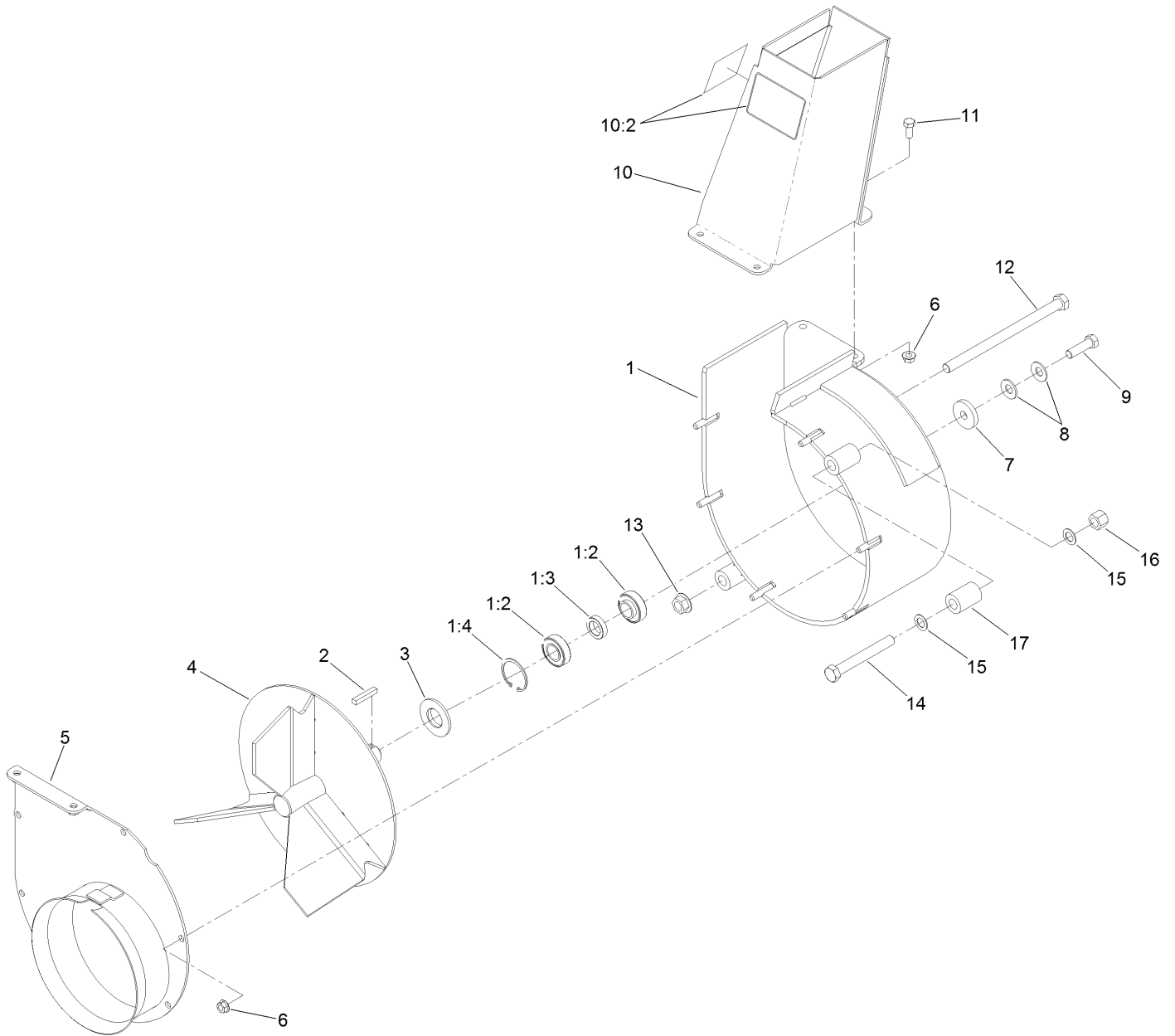
Blower Mounting Assembly



Blower Mounting Assembly (continued)

<i>Ref.</i>	<i>Part Number</i>	<i>Qty.</i>	<i>Description</i>	<i>Ref.</i>	<i>Part Number</i>	<i>Qty.</i>	<i>Description</i>
1	116-9649	1	Blower ASM	5	3296-42	2	Nut-Lock, NI
2	103-6733	1	Sheave-Blower	6	103-9167-03	1	Guide
3	321-6	2	Screw-HH	7	323-4	1	Screw-HH
4	3256-22	4	Washer-Flat	8	3256-24	1	Washer-Flat

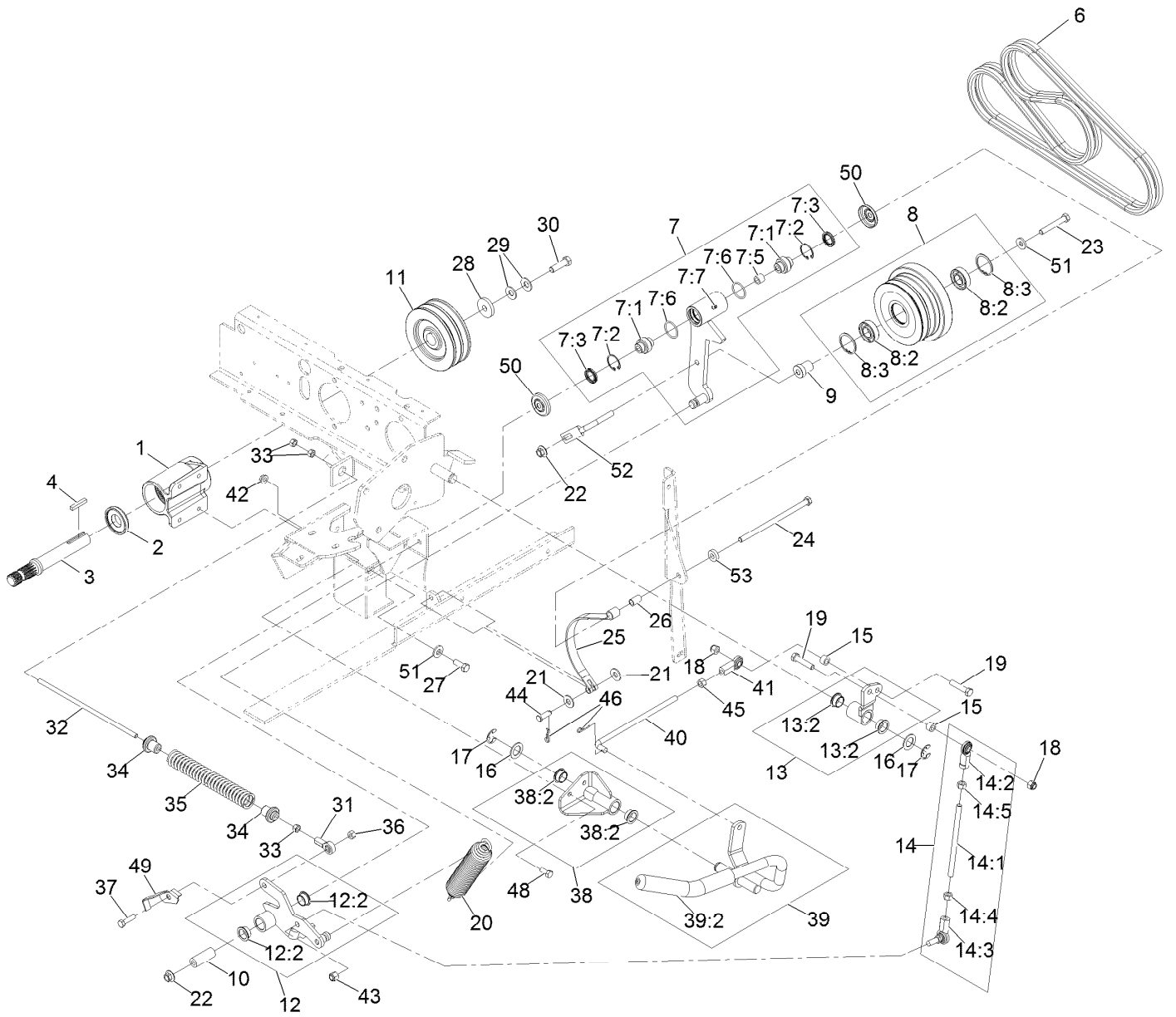
Blower Assembly No. 116-9649



Blower Assembly No. 116-9649 (continued)

<i>Ref.</i>	<i>Part Number</i>	<i>Qty.</i>	<i>Description</i>	<i>Ref.</i>	<i>Part Number</i>	<i>Qty.</i>	<i>Description</i>
1	116-9648	1	Housing ASM	9	3212-6	1	Screw-HH
1:2	103-3540	2	Bearing-Ball	10	103-9474	1	Discharge Chute ASM
1:3	103-4921	1	Spacer-Bearing	10:2	116-8943	2	Decal-Danger, Impeller
1:4	32120-8	2	Ring-Snap	11	322-3	4	Screw-HH
2	67-7490	1	Key-Square	12	325-42	1	Screw-HH
3	103-3894	1	Spacer-Blower	13	32128-23	1	Nut-HF
4	103-5194	1	Impeller-3 Blade	14	325-17	1	Screw-HH
5	103-3370-03	1	Cover-Blower	15	18-9810	2	Washer-Thrust
6	32128-20	10	Nut-HF	16	3296-23	1	Nut-Lock, NI
7	1-543610	1	Washer-Clutch	17	103-6999	1	Spacer-Mount
8	1-603610	2	Washer-Spring				

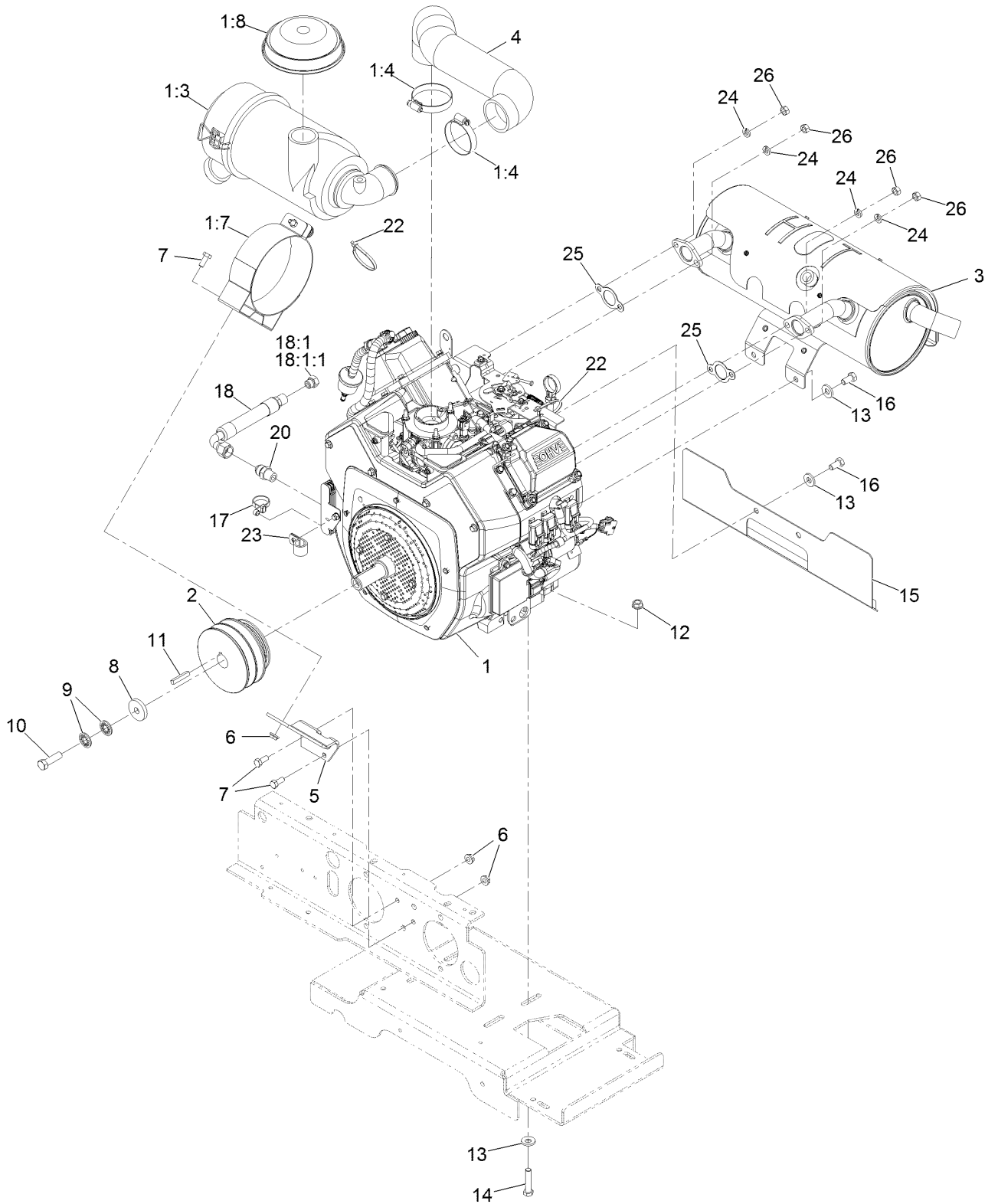
Drive Assembly



Drive Assembly (continued)

<i>Ref.</i>	<i>Part Number</i>	<i>Qty.</i>	<i>Description</i>	<i>Ref.</i>	<i>Part Number</i>	<i>Qty.</i>	<i>Description</i>
1	103-2544	1	Jackshaft ASM	21	3256-4	2	Washer-Flat
2	103-2535	1	Spacer-Guard, Bottom	22	32128-19	2	Nut-HF Lock, Large Flg
3	103-6735	1	Jackshaft	23	323-12	1	Screw-HH
4	67-7490	1	Key-Square	24	323-36	1	Screw-HH
6	103-6737	1	Belt, Matched Pair	25	103-7697	1	Band-Brake
7	103-8253	1	Idler Pivot ASM	26	103-9816	1	Spacer
7:1	103-3504	2	Bearing-Spherical	27	323-6	4	Screw-HH
7:2	32120-10	2	Ring-Snap	28	1-543610	1	Washer-Clutch
7:3	103-3506	2	Seal-Lip, Single	29	1-603610	2	Washer-Spring
7:5	1-413088	1	Bushing-Lever, Lift	30	3212-6	1	Screw-HH
7:6	106-7159	2	O-Ring	31	1-543017	1	Balljoint-RH
7:7	302-19	1	Fitting-Grease	32	103-7996	1	Linkage-Rod, PTO Brake
8	103-9439	1	Idler Sheave ASM	33	3219-2	3	Nut-Hex
8:2	251-347	2	Bearing-Ball	34	103-8254	2	Bushing-Spring
8:3	32151-13	2	Ring-Retaining	35	103-7997	1	Spring-Brake
9	103-7350	1	Spacer-Idler	36	3296-29	1	Nut-Lock, NI
10	103-7382	1	Bushing	37	322-6	1	Screw-HH
11	103-6732	1	Sheave	38	103-9295	1	Pivot ASM
12	103-9296	1	Arm ASM	38:2	108519	2	Bushing-Bronze
12:2	108519	2	Bushing-Bronze	39	103-9486	1	PTO Handle ASM
13	103-9297	1	Arm ASM	39:2	103-8153	1	Grip-Lever, Control
13:2	108519	2	Bushing-Bronze	40	103-8277	1	Link-Handle
14	103-7392	1	Clutch Link ASM	41	103-0608	1	Joint-Ball, End
14:1	103-7393	1	Rod-Linkage	42	32128-20	2	Nut-HF
14:2	103-1167	1	Joint-Ball End, LH	43	3296-6	1	Nut-Lock
14:3	103-7994	1	Balljoint-RH	44	283-2	1	Pin-Clevis
14:4	3219-3	1	Nut-Hex	45	3219-3	1	Nut-Hex
14:5	3219-20	1	Nut-Hex, LH	46	1-806003	2	Pin-Cotter
15	92-9025	2	Spacer	48	322-3	2	Screw-HH
16	1-303007	2	Washer	49	103-8716-03	1	Switch-Flag
17	32151-48	2	E-Ring	50	103-2916	2	Guard-Top
18	3296-39	2	Nut-Lock, NI	51	98-5975	5	Washer-Belleville
19	323-9	2	Screw-HH	52	109-5491	1	Guide-Belt
20	109-0148	1	Spring-Extension	53	5-0652	1	Spacer

Engine Assembly



Engine Assembly (continued)

<i>Ref.</i>	<i>Part Number</i>	<i>Qty.</i>	<i>Description</i>	<i>Ref.</i>	<i>Part Number</i>	<i>Qty.</i>	<i>Description</i>
1		1	Engine-Kohler, Ch740 ●■	12	3290-357	4	Nut-HHF, Whiz
1:3	103-8569	1	Air Cleaner Canister ASM	13	98-5975	8	Washer-Belleville
1:4	2412-42	2	Clamp-Hose	14	323-9	4	Screw-HH
1:7	103-1058	1	Bracket-Filter, Air	15	109-0181-03	1	Shield-Exhaust
1:8	100-2436	1	Hood-Cleaner, 2" Air Intake	16	323-4	4	Screw-HH
2	103-6731	1	Sheave-Engine	17	109-7896	1	Tie-Cable
3	103-7444	1	Muffler	18	116-5338	1	Oil Drain Hose ASM
4	103-6961	1	Hose-Air Intake	18:1	353-508	1	Plug-HH
5	103-3695-03	1	Bracket-Filter, Air	18:1:1	237-42	1	O-Ring
6	32128-20	4	Nut-HF	20	116-1455	1	Fitting-Straight ▲
7	322-3	4	Screw-HH	22	3290-378	3	Tie-Cable
8	1-543610	1	Washer-Clutch	23	1-633396	1	Clip-Loom
9	1-603610	2	Washer-Spring	24	1-805005	4	Washer-Lock
10	3212-6	1	Screw-HH ◆	25	1-653291	2	Gasket-Exhaust
11	67-7490	1	Key-Square	26	33014-00	4	Nut-Hex

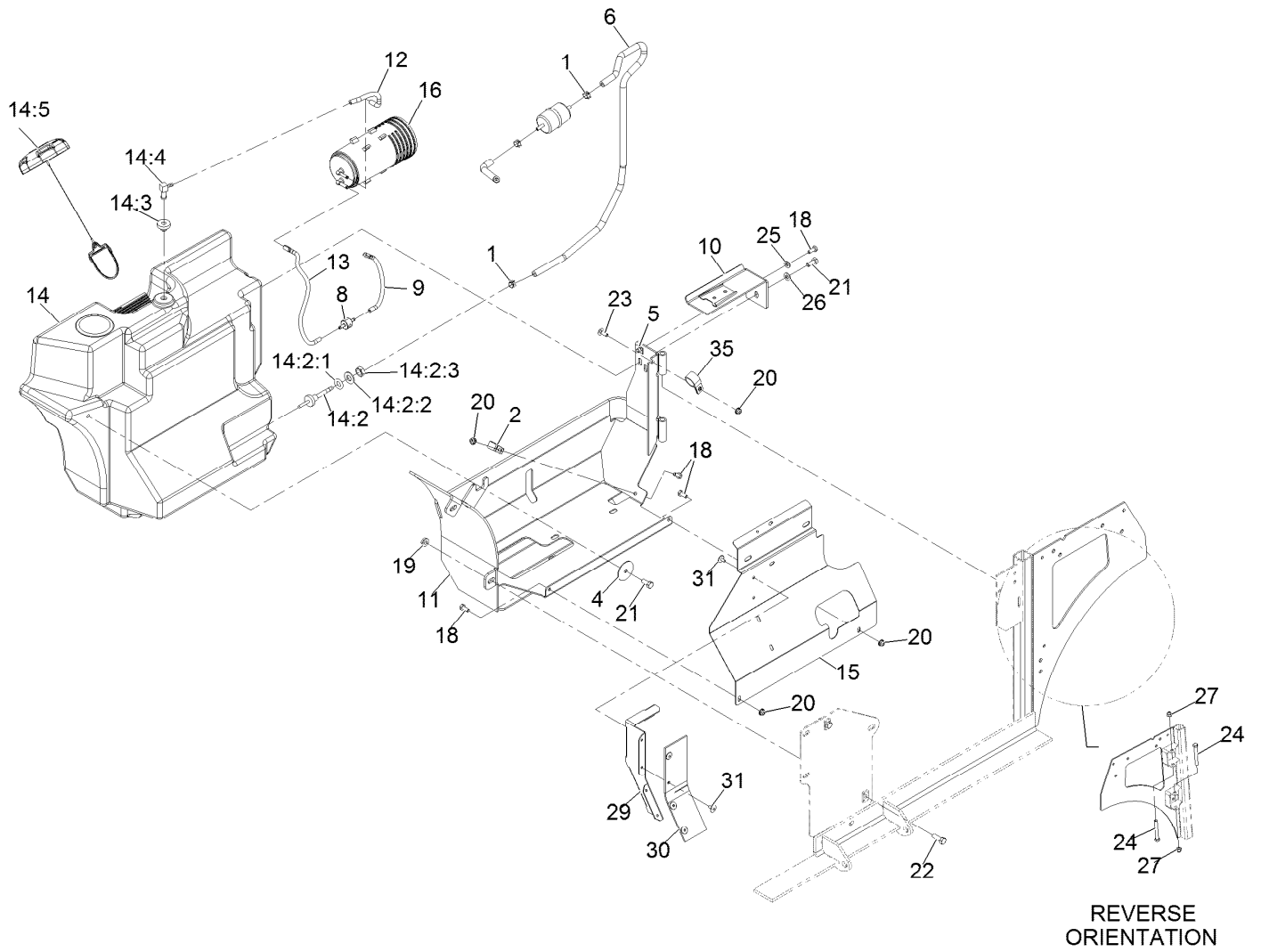
● Not serviced separately

▲ Use a Teflon Pipe Sealant or equivalent on threads.

◆ Use Pro-Lock, Nut Type (P/N 1-840022, .5ml tube) on threads.

■ Obtain parts from www.kohlerplus.com

Fuel Assembly



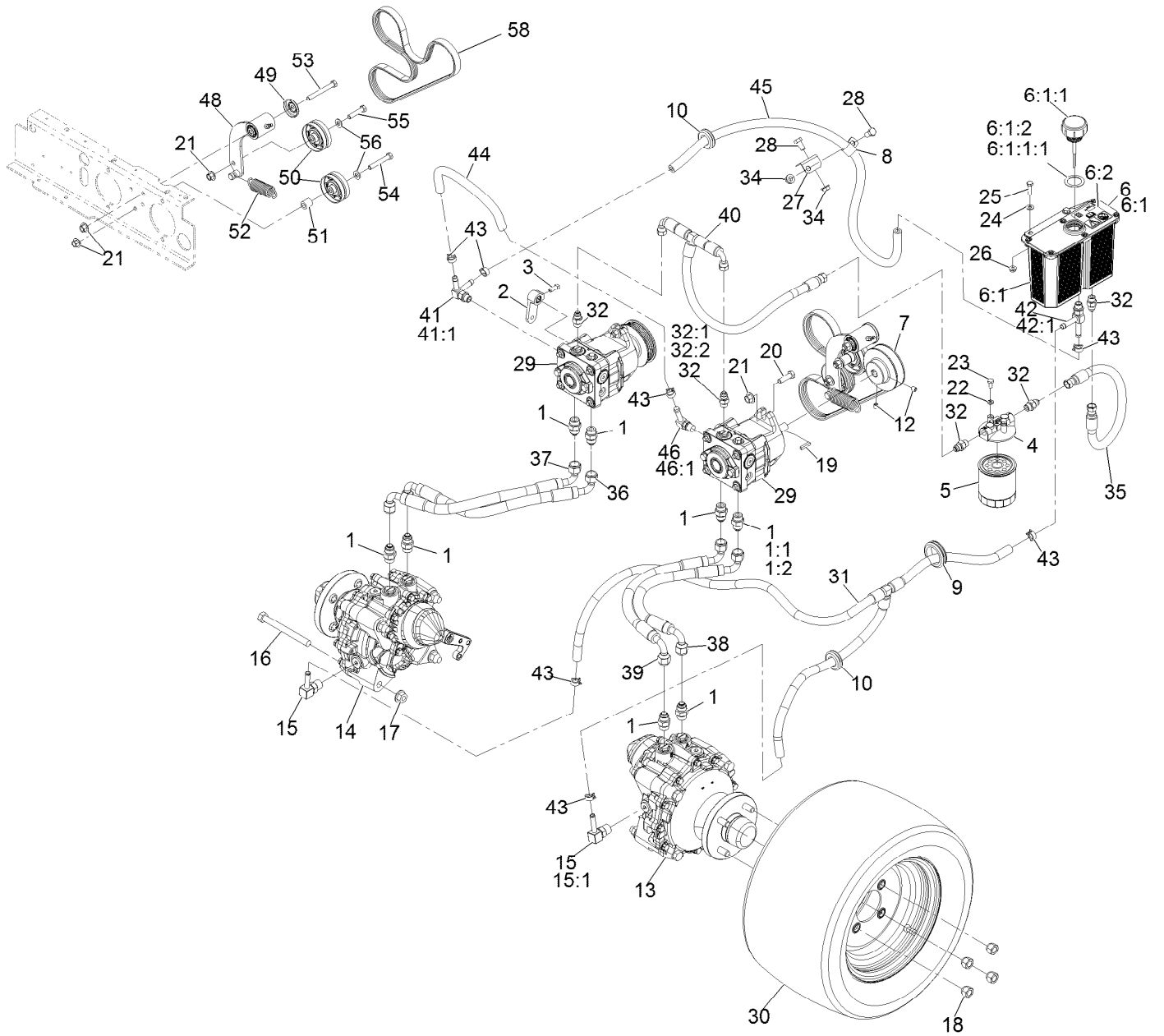
Fuel Assembly (continued)

<i>Ref.</i>	<i>Part Number</i>	<i>Qty.</i>	<i>Description</i>	<i>Ref.</i>	<i>Part Number</i>	<i>Qty.</i>	<i>Description</i>
1	2412-98	2	Clamp-Hose	14:4	100-1596	1	Fitting-90 DEG
2	1-513762	1	Clip-Loom 1/2	14:5	137-4119	1	Cap-Fuel, Ratcheting
4	1-653036	1	Washer	15	116-7928-03	1	Panel-Tank Shield
5	107069	1	Nut-Retainer-Panel 1/4-20	16	117-1221	1	Canister-Carbon, 800Cc
6	109-0284	1	Hose-Fuel Line 29"	18	321-3	4	Screw-HH 1/4-20 X 5/8
8	133-8499	1	Valve-Check, Vacuum	19	32128-20	2	Nut-Whizlock 5/16-18
9	116-2619	1	Hose-Vent, Formed	20	104-7201	4	Nut-Nyloc 1/4-20 Flg
10	116-2847-03	1	Canister Bracket ASM	21	322-3	2	Screw-HH 5/16-18 X 3/4 ●
11	116-2848-03	1	Tank Frame ASM	22	322-5	2	Screw-HH 5/16-18 X 1 ■
12	116-2966	1	Hose-Vent, Formed	23	3229-1	1	Bolt-Carriage 1/4-20 X 3/4
13	116-2967	1	Hose-Vent, Formed	24	323-14	2	Screw-HH 3/8-16 X 3
14	116-8365	1	Fuel Tank ASM	25	3256-22	1	Washer-1/4 SAE
14:2	103-6057	1	Fitting-Fuel Bulkhead W/Screen ●	26	3256-23	1	Washer-5/16 SAE
14:2:1	103-2784	1	O-Ring	27	3296-39	2	Nut-Nyloc 3/8-16
14:2:2	3256-26	1	Washer-1/2 SAE	29	103-7095-03	1	Deflector-Air
14:2:3	3220-5	1	Nut-Jam 1/2-20	30	103-9658	1	Flap-Rubber
14:3	46-6560	1	Bushing	31	1-803035	9	Rivet 3/16 X 1/4
				35	110-0824	1	R-Clamp

● Use Pro-Lock, Nut Type (P/N 1-840022, .5ml tube) on threads.

■ Use Pro-Lock retaining type, Part no. 1-840023 (.5cc tube) on threads.

Hydraulic Assembly

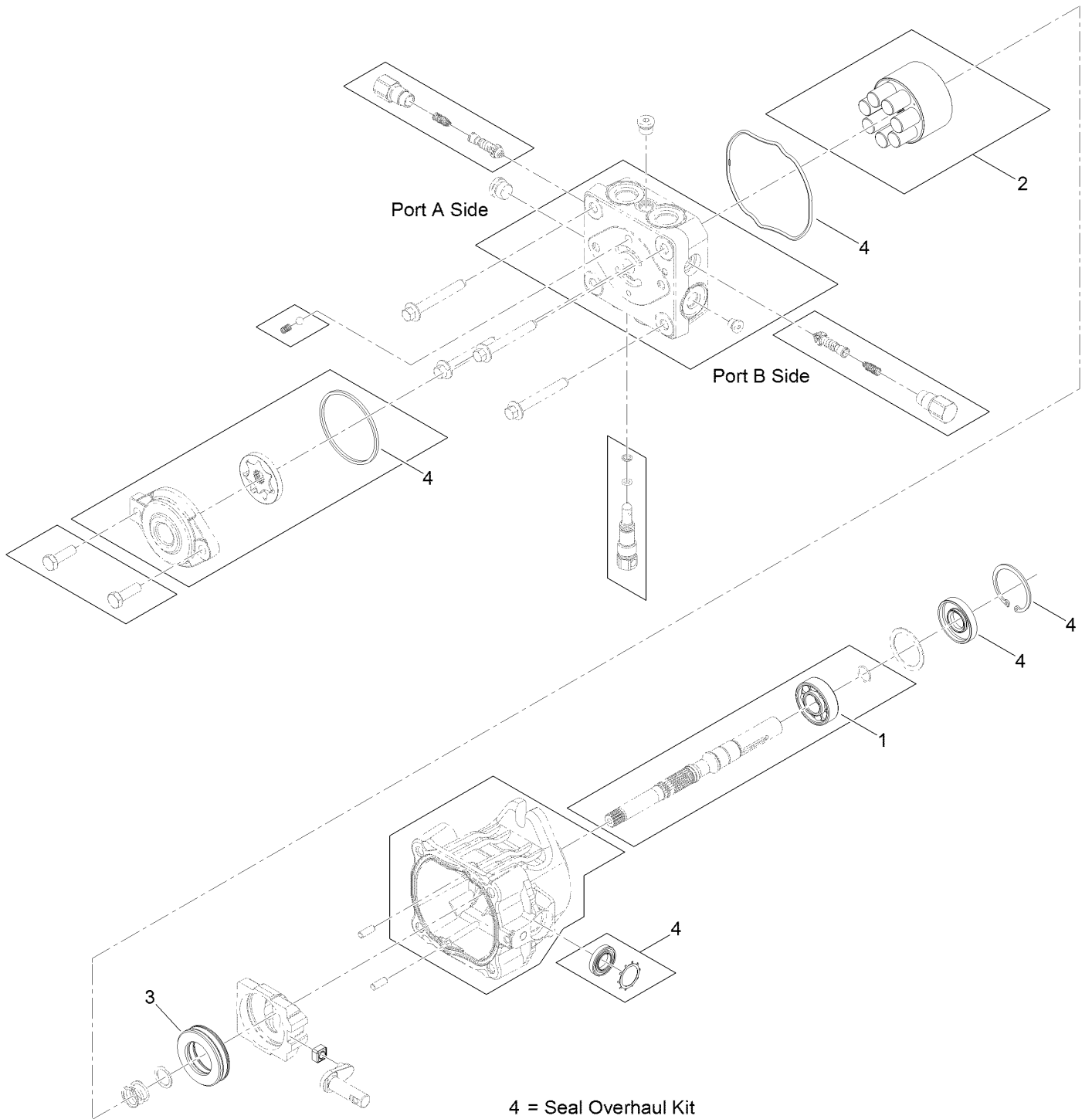


Hydraulic Assembly (continued)

<i>Ref.</i>	<i>Part Number</i>	<i>Qty.</i>	<i>Description</i>	<i>Ref.</i>	<i>Part Number</i>	<i>Qty.</i>	<i>Description</i>
1	1-603990	8	Adapter-Straight	28	323-4	2	Screw-HH 3/8-16 X 3/4
1:1	1-603920	1	O-Ring-SAE #8	29	116-7836	2	12Cc Hydro Pump ASM
1:2	1-603992	1	O-Ring-37 Flare #8	30	116-5634	2	Tire And Wheel ASM
2	1-632208	2	Arm-Control, Pump	31	116-7831	1	Hydraulic Hose ASM
3	120-6474	2	Screw-Set, SQH 5/16-18 X 3/4	32	103-2156	5	Adapter-Straight
4	104-7836	1	Filter-Head	32:1	1-603921	1	O-Ring-SAE #6
5	109-4180	1	Element, Oil Filter	32:2	103-1020	1	O-Ring-37 Flare #6
6	116-9274	1	Reservoir ASM	34	3290-357	2	Nut-Whizlock 3/8-16
6:1		1	Reservoir-HYD ●	35	126-4400	1	Hydraulic Hose ASM
6:1:1	116-9273	1	Reservoir Cap ASM	36	116-7827	1	Hydraulic Hose ASM
6:1:1:1	103-1949	1	Gasket-Cap	37	116-7828	1	Hydraulic Hose ASM
6:1:2	103-1949	1	Gasket-Cap	38	116-7829	1	Hydraulic Hose ASM
6:2	115-4212	1	Decal-Warning	39	116-7830	1	Hydraulic Hose ASM
7	103-4246	2	Sheave	40	109-1264	1	Hydraulic Hose ASM
8	1-633396	1	Clip-Loom 5/8	41	103-5469	1	Adapter-Tee Special
9	103-7706	1	Grommet	41:1	237-42	1	O-Ring
10	1-543286	2	Grommet	42	103-1828	1	Adapter-Running Tee
12	1-803310	4	Setscrew-5/16-18 X 3/8	42:1	237-42	1	O-Ring
13	116-7401	1	Motor-HYD, LH	43	103-1988	7	Clamp-Hose 11/16
14	116-7402	1	Motor-HYD, RH	44	103-5452	1	Hose-HYD
15	354-134	2	Fitting-90	45	103-5477	1	Hose-HYD
15:1	237-79	1	O-Ring	46	100-4887	1	Fitting-Elbow, 90
16	325-19	8	Screw-HH 1/2-13 X 5	46:1	237-42	1	O-Ring
17	32128-49	8	Nut-Whizlock 1/2-13	48	103-7349	1	Short Idler ASM
18	242-50	8	Nut-Lug 1/2-20	49	103-2916	1	Guard-Top
19	1-807272	2	Key-5Mm X 5Mm X 25Mm	50	116-6361	2	Pulley
20	323-7	4	Screw-HH 3/8-16 X 1 1/4	51	106-5574	1	Spacer-Mounting, Steering
21	32128-43	7	Nut-Whizlock 3/8-16	52	1-653331	1	Spring
22	1-805004	2	Washer-Lock 1/4 Heavy	53	323-20	1	Screw-HH 3/8-16 X 3-1/4
23	321-3	2	Screw-HH 1/4-20 X 5/8	54	323-12	1	Screw-HH 3/8-16 X 2 1/2
24	3256-22	2	Washer-1/4 SAE	55	323-9	1	Screw-HH 3/8-16 X 1 3/4
25	321-6	2	Screw-HH 1/4-20 X 1	56	3256-24	2	Washer-3/8 SAE
26	32128-33	2	Nut-Whizlock 1/4-20	58	103-4244	1	Belt
27	103-8631	1	Bracket-Clamp				

● Not serviced separately

Hydraulic Pump Assembly No. 116-7836

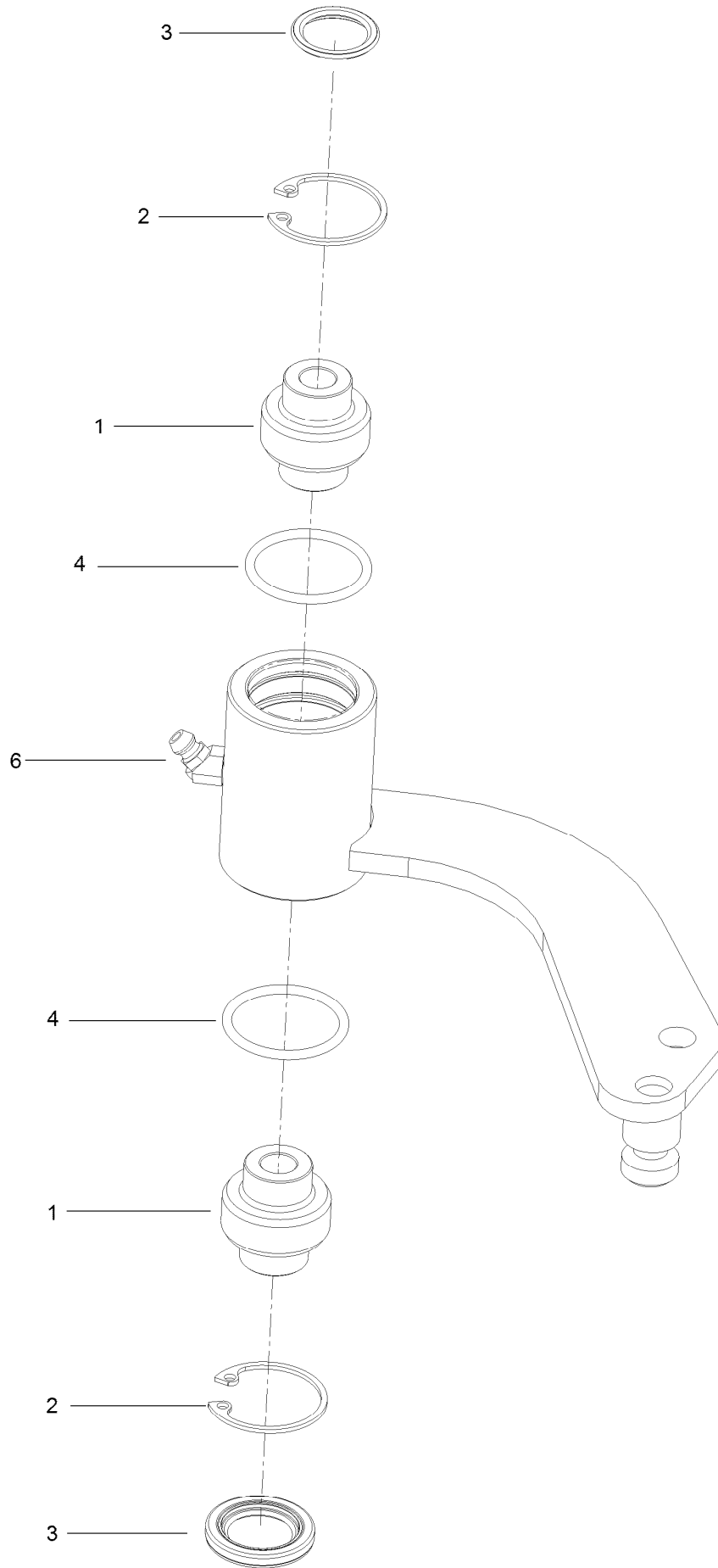


Hydraulic Pump Assembly No. 116-7836 (continued)

<i>Ref.</i>	<i>Part Number</i>	<i>Qty.</i>	<i>Description</i>
1	104-5311	1	Bearing-Ball
2	103-7443	1	Cylinder Block Kit

<i>Ref.</i>	<i>Part Number</i>	<i>Qty.</i>	<i>Description</i>
3	121-3235	1	Bearing-Thrust, Plastic Cage
4	105-6184	1	Seal Overhaul Kit

Idler Assembly No. 103-7349

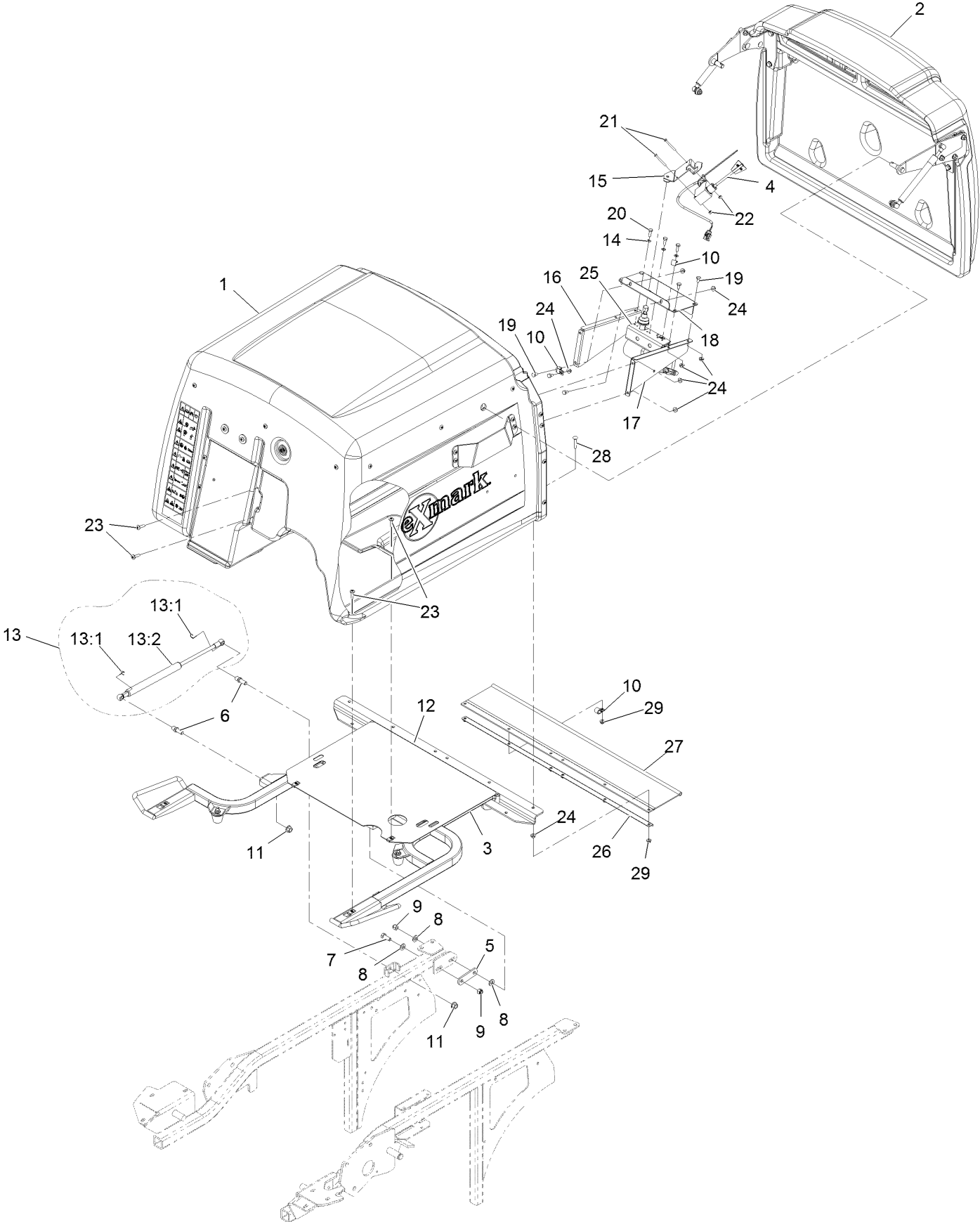


Idler Assembly No. 103-7349 (continued)

<i>Ref.</i>	<i>Part Number</i>	<i>Qty.</i>	<i>Description</i>
1	103-3504	2	Bearing-Spherical
2	32120-10	2	Ring-Snap
3	103-3506	2	Seal-Lip, Single

<i>Ref.</i>	<i>Part Number</i>	<i>Qty.</i>	<i>Description</i>
4	106-7159	2	O-Ring
6	302-11	1	Fitting-Lube, 45 DEG

Hopper Assembly

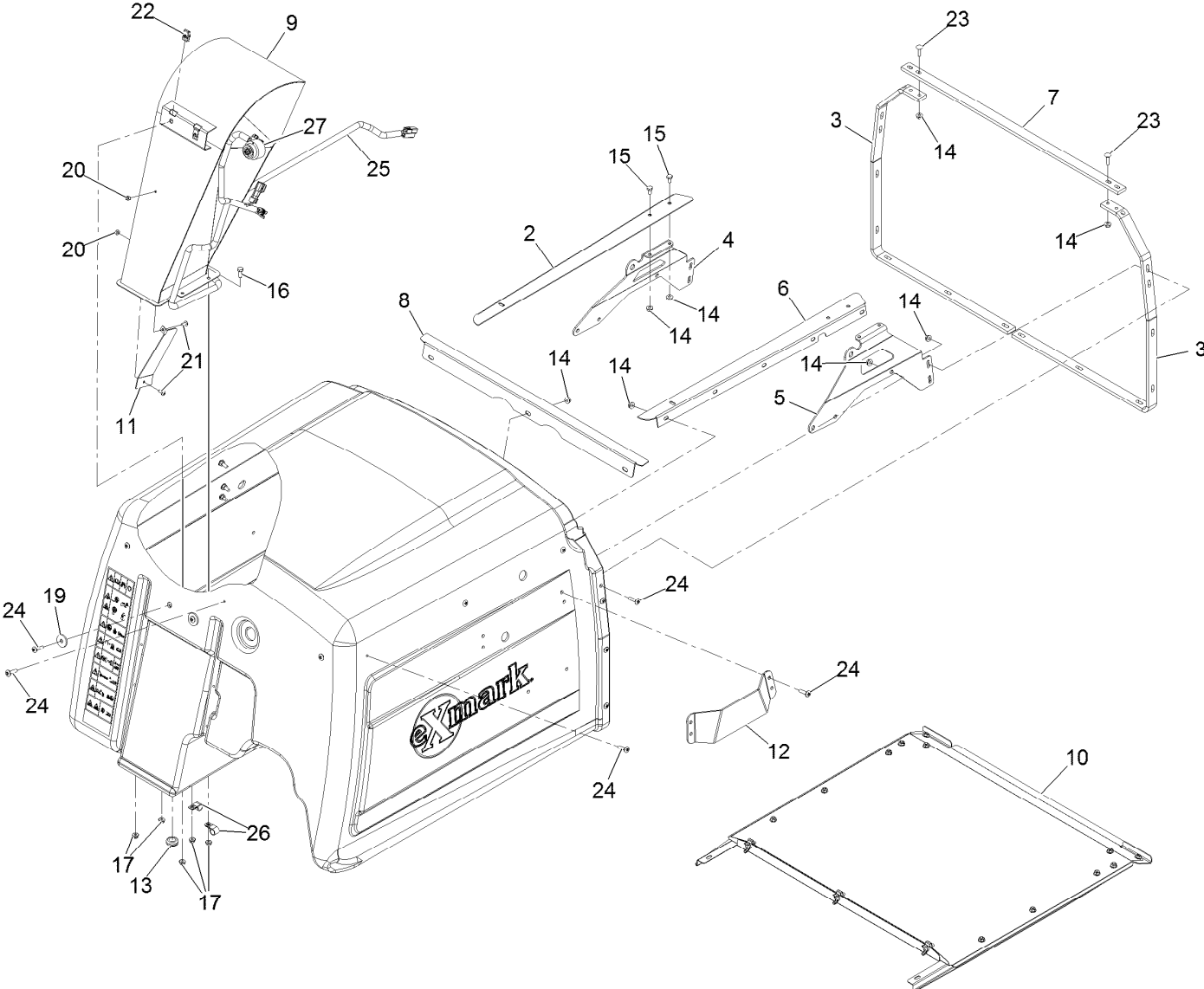


Hopper Assembly (continued)

<i>Ref.</i>	<i>Part Number</i>	<i>Qty.</i>	<i>Description</i>	<i>Ref.</i>	<i>Part Number</i>	<i>Qty.</i>	<i>Description</i>
1	103-9457	1	Asm, Hopper	14	1-303435	3	Washer-Spring Disc 1/4
1		1	Hopper ASM ●	15	109-3648	1	Mount-Switch
2	103-9456	1	Asm, Door Hopper	16	103-6067-03	1	Bracket-Drive Motor, LH
3	109-4086	1	Hopper Frame ASM	17	103-6068-03	1	Bracket-Drive Motor, RH
4	116-9404	1	Fill Sensor ASM	18	103-7085-03	1	Plate-Switch
5	1-633068	2	Arm-Lift, Deck	19	321-2	7	Screw-HH 1/4-20 X 1/2
6	103-5426	2	Stud-Ball 13Mm	20	329-4	3	Screw-HH 1/4-28 X 3/4
7	323-6	2	Screw-HH 3/8-16 X 1	21	3250-48	2	Screw-PPH #10-24 X 1 3/4
8	3256-24	6	Washer-3/8 SAE	22	3296-2	2	Nut-Nyloc #10-24
9	3296-39	4	Nut-Nyloc 3/8-16	23	32105-32	8	Screw-Truss HD 1/4-20 X 1
10	1-513762	3	Clip-Loom 1/2	24	32128-33	17	Nut-Whizlock 1/4-20
11	33005-00	2	Nut-Hex M10-1.5 Flg	25	109-3853	1	Motor
12	614672	2	Screw-Shoulder 3/8-16 X 1.295	26	103-6022-03	1	Channel-Frame, Hopper
13	109-0716	1	Damper Kit	27	103-6025	1	Deflector-Grass
13:1	103-8325	2	Clip-Retainer-13Mm	28	3229-4	6	Bolt-Carriage 1/4-20 X 1 1/2
13:2	103-5425	1	Shock-Compression, Gas	29	104-7201	6	Nut-Nyloc 1/4-20 Flg

● Not serviced separately

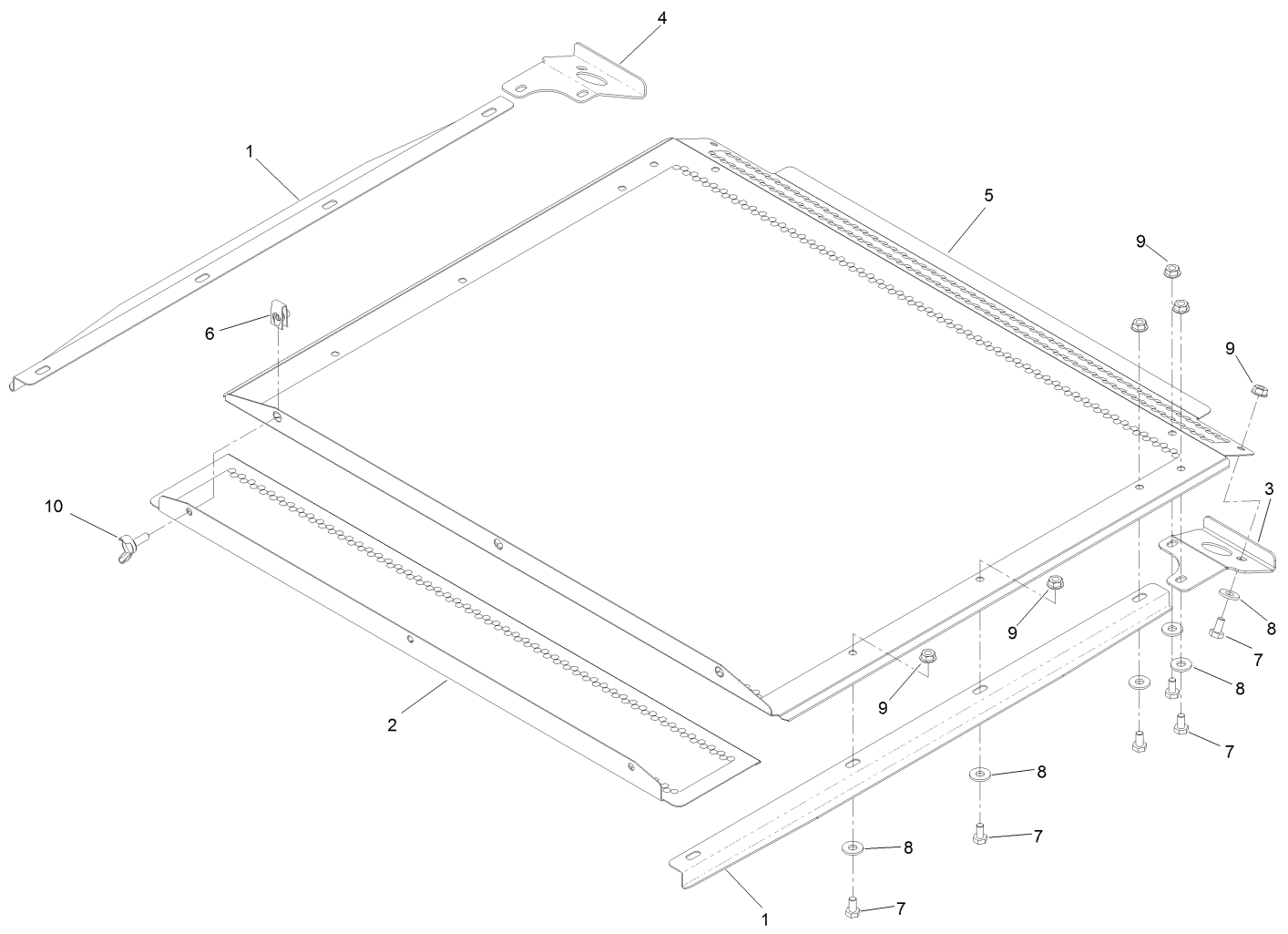
Hopper Assembly (cont.)



Hopper Assembly (cont.) (continued)

<i>Ref.</i>	<i>Part Number</i>	<i>Qty.</i>	<i>Description</i>	<i>Ref.</i>	<i>Part Number</i>	<i>Qty.</i>	<i>Description</i>
2	103-5736-03	1	Angle-Screen Track, RH	15	321-2	4	Screw-HH
3	103-5045-03	2	Reinforcement-Hopper	16	321-4	5	Screw-HH
4	103-5751-03	1	Brace-Door Pivot, RH	17	104-7201	5	Nut-HF
5	103-5749-03	1	Brace-Door Pivot, LH	19	1-613235	2	Washer
6	103-5774-03	1	Angle-Screen Track, LH	20	3296-2	2	Nut-Lock, NI
7	103-5772-03	1	Bracket-Frame Connect	21	32122-30	2	Screw-PTH
8	103-7035-03	1	Channel-Screen, Front	22	107069	2	Clip
9	109-3650-03	1	Diffuser	23	3229-2	4	Screw-CARR
10	109-0717	1	Hopper Screen ASM	24	32105-32	27	Screw-TTH
11	103-8680	1	Deflector-Discharge Chute	25	103-8800	1	Harness-Wire, Hopper
12	109-4019	2	Plate-Guard	26	1-513762	2	Clip-Loom
13	1-543296	1	Grommet	27	103-0205	1	Alarm-Tone, Dual
14	32128-33	33	Nut-HF				

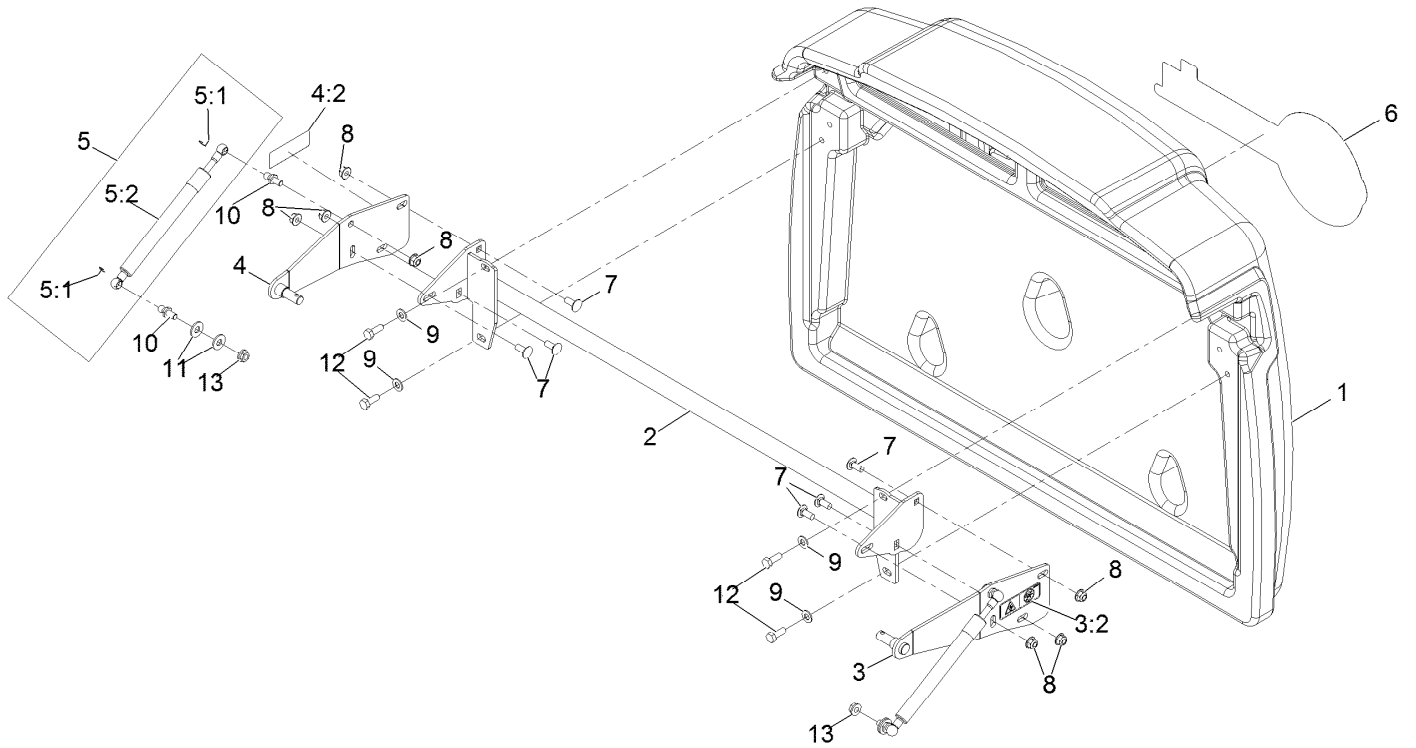
Hopper Screen Assembly No. 109-0717



Hopper Screen Assembly No. 109-0717 (continued)

<i>Ref.</i>	<i>Part Number</i>	<i>Qty.</i>	<i>Description</i>	<i>Ref.</i>	<i>Part Number</i>	<i>Qty.</i>	<i>Description</i>
1	103-8203-03	2	Guide-Screen	6	107069	3	Clip
2	103-7048-03	1	Panel-Screen, Removable	7	321-2	12	Screw-HH
3	103-7098-03	1	Handle-Screen, LH	8	3256-2	12	Washer-Flat
4	103-7099-03	1	Handle-Screen, RH	9	32128-33	12	Nut-HF
5	103-5745-03	1	Panel-Screen, Hopper	10	109-1063	3	Screw-Wing

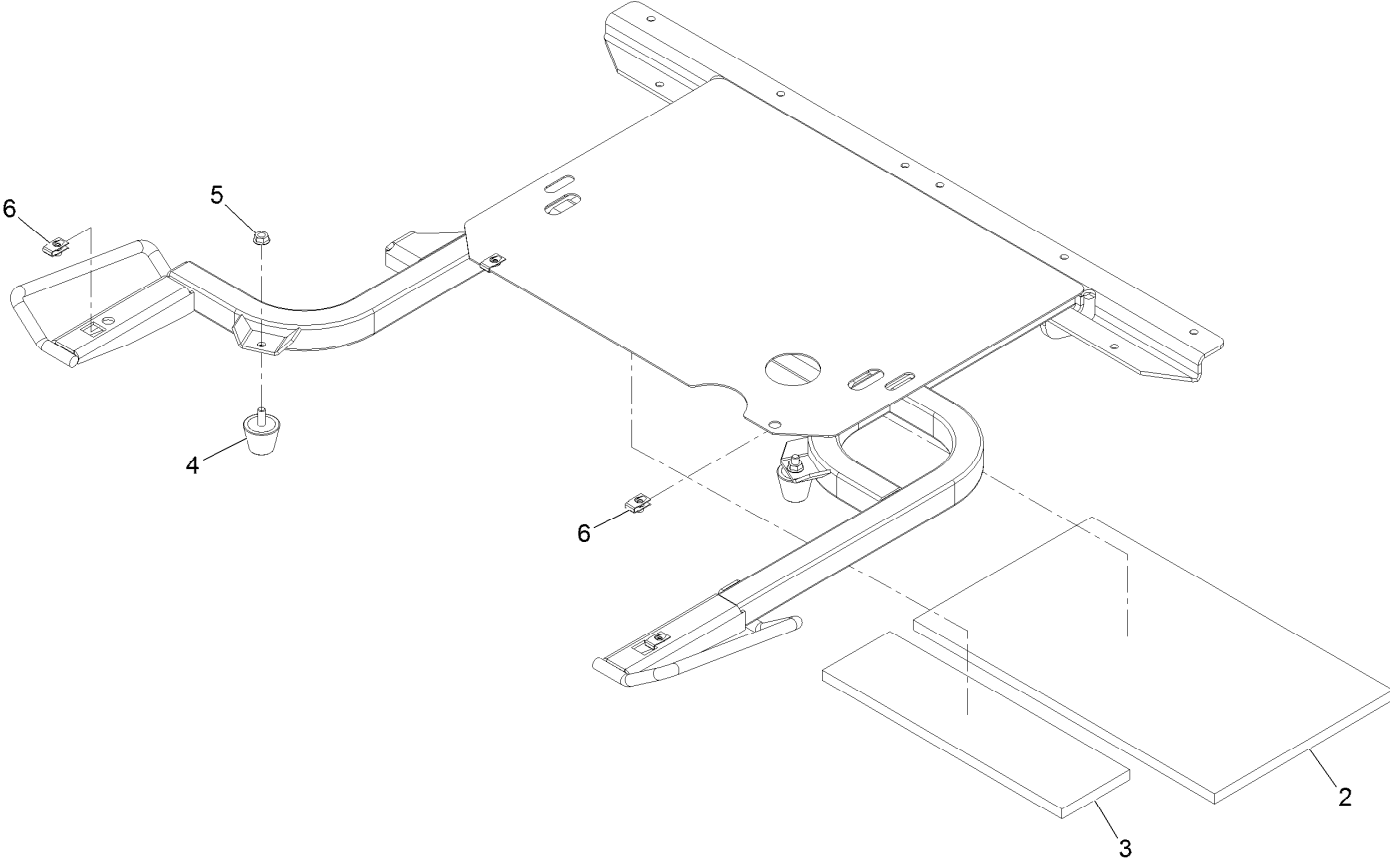
Hopper Door Assembly No. 103-9456



Hopper Door Assembly No. 103-9456 (continued)

<i>Ref.</i>	<i>Part Number</i>	<i>Qty.</i>	<i>Description</i>	<i>Ref.</i>	<i>Part Number</i>	<i>Qty.</i>	<i>Description</i>
1	109-3955	1	Door, 9.5 Bushel Hopper	6	126-7353	1	Decal-Exmark Logo
2	109-4153-03	1	Support-Door	7	3230-23	6	Screw-CARR
3	109-4253	1	LH Door Pivot ASM	8	104-8300	8	Nut-HF, NI
3:2	120-0625	1	Decal-Warning	9	3256-23	4	Washer-Plain
4	109-4254	1	RH Door Pivot ASM	10	103-5752	4	Stud-Ball
4:2	120-0625	1	Decal-Warning	11	3256-3	4	Washer-Flat
5	109-0715	2	Damper Kit	12	322-4	4	Screw-HH
5:1	103-8324	2	Clip-Retainer	13	32128-20	2	Nut-HF
5:2	103-5746	1	Shock-Gas Tension				

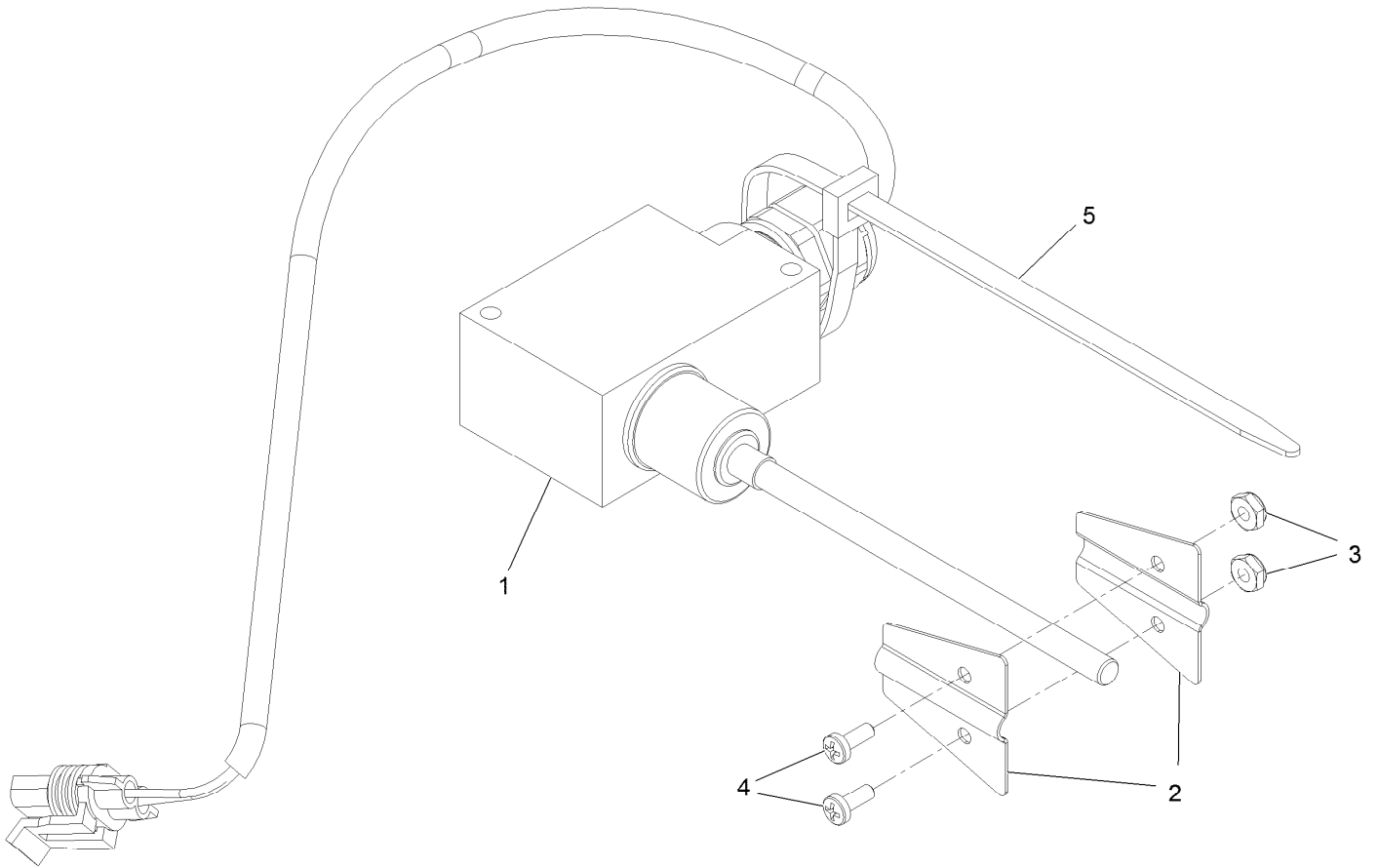
Hopper Frame Assembly



Hopper Frame Assembly (continued)

<i>Ref.</i>	<i>Part Number</i>	<i>Qty.</i>	<i>Description</i>	<i>Ref.</i>	<i>Part Number</i>	<i>Qty.</i>	<i>Description</i>
2	103-7824	1	Insulation-Foam Pad, Rear	5	32128-20	2	Nut-HF
3	103-7825	1	Insulation-Foam Pad, Front	6	107069	4	Clip
4	1-543963	2	Bumper-Rubber				

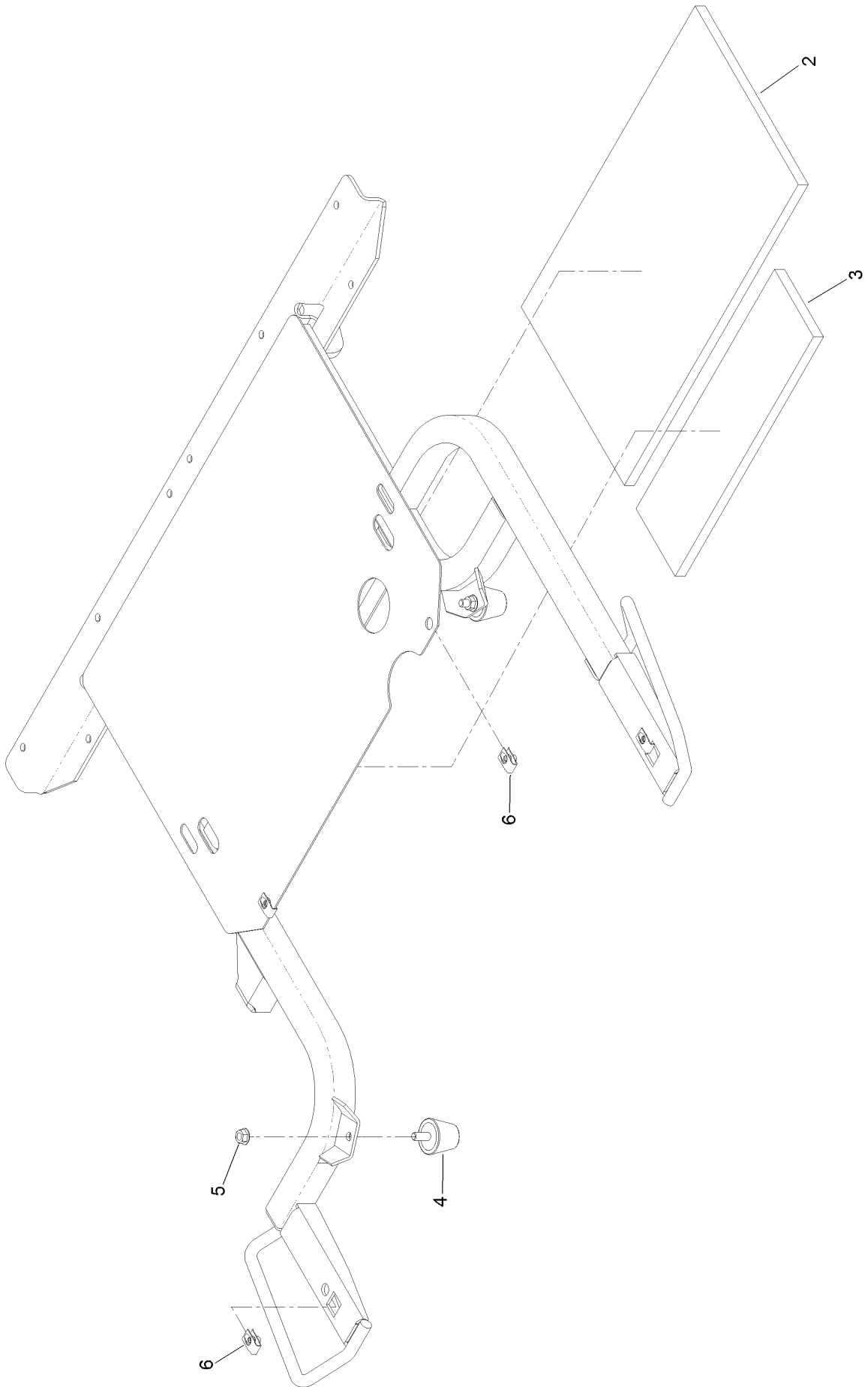
Fill Sensor Assembly



Fill Sensor Assembly (continued)

<i>Ref.</i>	<i>Part Number</i>	<i>Qty.</i>	<i>Description</i>	<i>Ref.</i>	<i>Part Number</i>	<i>Qty.</i>	<i>Description</i>
1	109-3854	1	Fill Sensor Wire Kit	4	9107622	2	Screw-PPH #6-32 X 5/8
2	103-8789	2	Flag-Sensor, Fill	5	3290-378	1	Tie-Cable
3	3296-9	2	Nut-Nyloc #6-32 Thin				

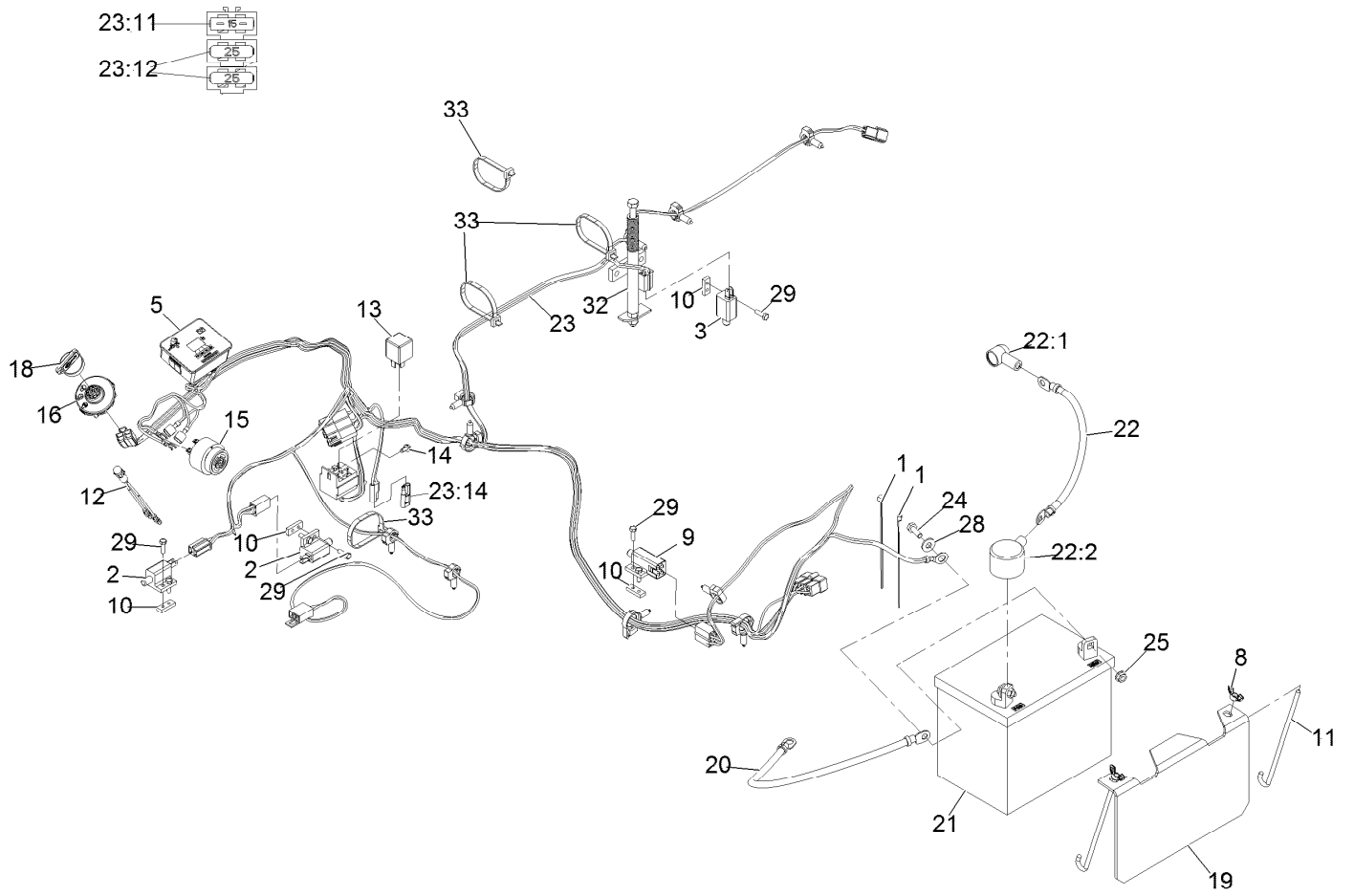
Hopper Frame Assembly



Hopper Frame Assembly (continued)

<i>Ref.</i>	<i>Part Number</i>	<i>Qty.</i>	<i>Description</i>	<i>Ref.</i>	<i>Part Number</i>	<i>Qty.</i>	<i>Description</i>
2	103-7824	1	Insulation-Foam Pad, Rear	5	32128-20	2	Nut-HF
3	103-7825	1	Insulation-Foam Pad, Front	6	107069	4	Clip
4	1-543963	2	Bumper-Rubber				

Electrical Assembly



Electrical Assembly (continued)

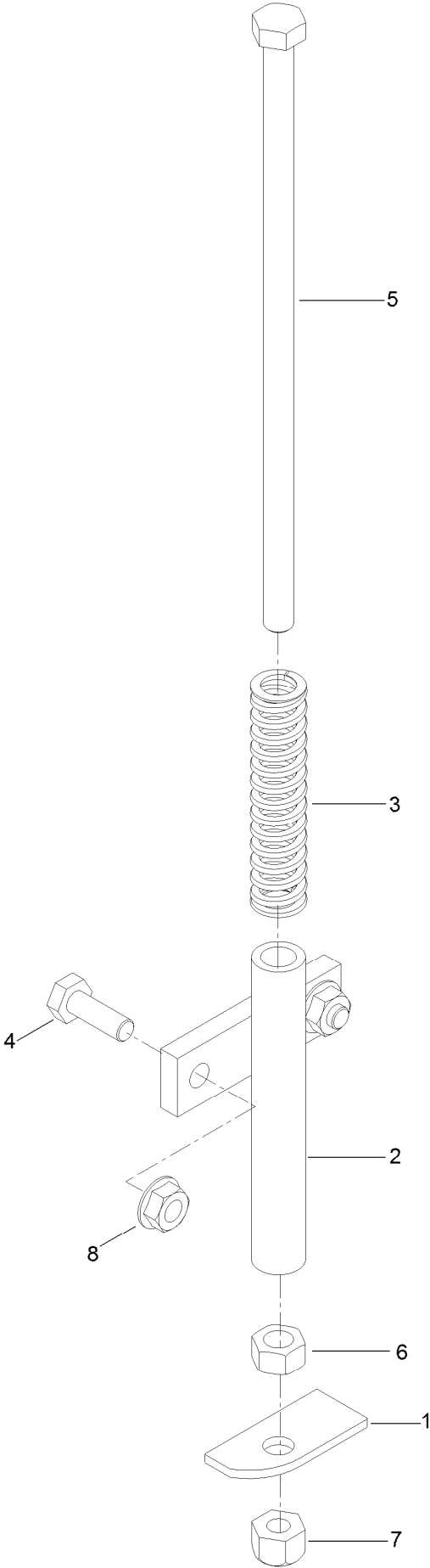
<i>Ref.</i>	<i>Part Number</i>	<i>Qty.</i>	<i>Description</i>	<i>Ref.</i>	<i>Part Number</i>	<i>Qty.</i>	<i>Description</i>
1	1-303287	2	Tie-Cable 5 1/2 (Small)	21		1	Battery ●■
2	1-513051	2	Switch-N.O.	22	116-4730	1	Cable-Battery, Positive
3	1-513152	1	Switch-N.C.	22:1	1-543393	1	Insulator-Solenoid
5	116-8812	1	Hour Meter ASM	22:2	109-2407	1	Insulator-Battery
8	1-543792	2	Wingnut-Nyloc 1/4-20	23	116-9114	1	Harness-Wiring ▲
9	1-633111	1	Switch	23:11	109355	1	Fuse-Blade, 15 Amp
10	1-633181	4	Plate-Tapped	23:12	109102	2	Fuse-Blade, 25 Amp
11	1-633651	2	Bolt-Holddown	23:14	116-0053	1	Cap-Plug
12	1-643267	1	Indicator-Red LED	24	321-4	2	Screw-HH 1/4-20 X 3/4
13	1-643275	1	Relay-12Vdc 40 Amp	25	32128-33	2	Nut-Whizlock 1/4-20
14	104-2065	1	Screw-HWH #10-24 X 3/8	28	3256-2	2	Washer-1/4 Std
15	103-0205	1	Alarm-Dual Tone 12Vdc	29	3290-134	8	Screw-HH Machine 10-24 X 5/8
16	137-4100	1	Switch-Ignition				
18	103-2106	1	Key-Exmark Logo	32	103-8528	1	Hopper Switch Actuator ASM
19	103-4161-03	1	Hold Down-Battery				
20	103-8355	1	Cable-Ground(-)	33	3290-378	4	Tie-Cable

● Obtain locally.

■ Not serviced separately

▲ Use dielectric grease on all unsealed connectors and terminals only. Do not apply in sealed connectors.

Hopper Switch Actuator Assembly No. 103-8528



Hopper Switch Actuator Assembly No. 103-8528 (continued)

<i>Ref.</i>	<i>Part Number</i>	<i>Qty.</i>	<i>Description</i>	<i>Ref.</i>	<i>Part Number</i>	<i>Qty.</i>	<i>Description</i>
1	126-7505	1	Plate-Switch	5	322-50	1	Screw-HH
2	1-522424-03	1	Mount-Spring, Seat	6	3217-6	1	Nut-Hex
3	1-523415	1	Spring-Switch, Seat	7	3296-29	1	Nut-Lock, NI
4	321-4	2	Screw-HH	8	32128-33	2	Nut-HF

Notes:



MAXIMIZE THE PERFORMANCE OF YOUR EXMARK MACHINE.



EXMARK® PREMIUM ENGINE OIL

Exmark now offers a family of engine oil viscosities to perform well in any environment. Each viscosity has the same synthetic formulation to give you what you need in punishing conditions. We designed each grade to the highest quality, making it ideal even for diesel applications. Coupled with Exmark Premium Fuel Treatment, we have the performance products to make your machine hum.

EXMARK PREMIUM ENGINE OIL SAE 30/10W-30

- Meets zero shear requirements of a straight grade SAE 30 as well as the cold temp properties of a 10W-30.
- Most versatile oil in the industry.
- Superior corrosion protection over conventional oil - even in corrosive, humid environments.

EXMARK PREMIUM ENGINE OIL SAE 20W-50

- Perfect for your big block engine, or any application in severe service.
- Same full synthetic formulation as all other Exmark Premium viscosities.
- Also effective for use in severe service small block engines.

EXMARK PREMIUM ENGINE OIL SAE 10W-50

- Full synthetic formulation gives you peak performance. Don't settle for less.
- Wide span multi-grade combines easy starting in cold weather with maximum protection in high temperature operation.
- Reduce friction & wear over standard mineral formulations.

EXMARK PREMIUM ENGINE OIL SAE 0W-40

- The perfect choice for when the weather turns cold or unpredictable, and your Exmark UTV has to perform.
- Commercial quality for severe service.
- Advanced additive package helps prevent corrosion from long-term storage.

EXMARK PREMIUM ENGINE OIL UTV FORMULATION

- 4-cycle high-temp formulation.
- Heavier viscosity, full synthetic, perfect for your UTV.

EXMARK PREMIUM UTV EXTREME CONDITIONS GEAR OIL

- SAE 80W-90, designed to keep your UTV performing at its peak.
- Shear stable, hypoid gear lube.
- Includes a premium additive system to combat wear, oxidation, rust & corrosion.

Available from your local Exmark dealer. Find your closest dealer at exmark.com

EXMARK ACCESSORIES AND OPTIONS*

MID-MOUNT RIDING ACCESSORIES AND OPTIONS

CUSTOM RIDE SEAT SUSPENSION SYSTEM	OPERATOR CONTROLLED DISCHARGE
FULL SUSPENSION SEAT	SUN SHADE
DECK LIFT ASSIST KIT	TRASH CONTAINER
HITCH KIT	TURF STRIPER
LIGHT KIT	ULTRA VAC COLLECTION SYSTEM
12V POWER PORT	ULTRA VAC QUICK DISPOSAL SYSTEM
MICRO-MULCH SYSTEM	

OUT-FRONT RIDING ACCESSORIES AND OPTIONS

CUSTOM RIDE SEAT SUSPENSION SYSTEM	SNOW BLADE
DUAL-TAIL WHEEL	SNOWBLOWER
FLOOR PAN EXTENDER	SUN SHADE
HITCH KIT	TRASH CONTAINER
LIGHT KIT	ULTRA VAC COLLECTION SYSTEM
MICRO-MULCH SYSTEM	ULTRA VAC QUICK DISPOSAL SYSTEM
ROLL OVER PROTECTION SYSTEM (ROPS)	WEATHER CAB

WALK-BEHIND ACCESSORIES AND OPTIONS

GRASS CATCHER	TURF STRIPER
MICRO-MULCH SYSTEM	STANDON

*Some accessories and options not available for some models.

Place Model No. and Serial No.
Label Here (Included in the Literature
Pack) or Fill in Below

Model No. _____

Serial No. _____

Date Purchased _____

Engine Model No. and Spec. No. _____

Engine Serial No. (E/No) _____

© 2020 Exmark Mfg. Co., Inc.
415 Industrial Row
Beatrice, NE 68310
All Rights Reserved

Part No. 4505-275 Rev. A
(402) 223-6375
Fax (402) 223-5489
Printed in the USA.

