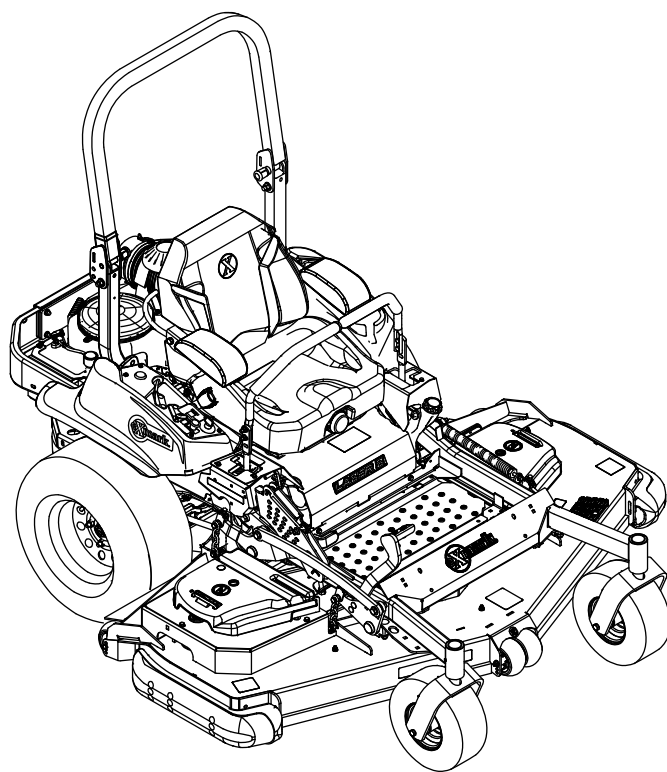




# **LAZER Z<sup>®</sup> S-SERIES**

Model No. LZS801CKA60RA1—Serial No. 408644346 and Up

Picture below may not reflect actual product.



# **Parts Manual**

Part No. 4505-257 Rev. A

# Ordering Replacement Parts

To order replacement parts, please supply the part number, the quantity, and the description of each part desired.

## Understanding Reference Numbers

Each identified part in an illustration has a reference number. The reference number for a part also appears in the parts list, along with other information about the part.

This catalog uses two special reference number formats, one to indicate parts in a service assembly and another to indicate the quantity of a given part in an illustration.

## Service Assembly Reference Numbers

Parts in service assemblies have reference numbers in the form a:b. The a represents the reference number of the entire service assembly and the b represents a sequential number unique to each part within the service assembly.

For example, a wheel assembly might be identified by reference number 6, the tire by 6:1, the valve by 6:2, and the wheel by 6:3. When you order the assembly identified by reference number 6, you receive all parts identified by reference numbers 6:1, 6:2, and 6:3. However, you may also order any part individually. Reference numbers of this type appear in illustration and in parts lists.

## Reference Numbers Indicating Quantity

In an illustration, if a reference number indicates more than one part, the reference number has the form nX y. The n represents the quantity of the part, the X is the multiplication symbol, and the y represents the reference number.

For example, in an illustration, the reference number 2X 37 means that two of the parts identified by reference number 37 are indicated.

# Touch Up Paint

Exmark black touch up spray paint – gloss black.

Exmark red touch up paint (spray paint – P/N 1-850337 - .6 oz liquid bottle – P/N 103-9140).

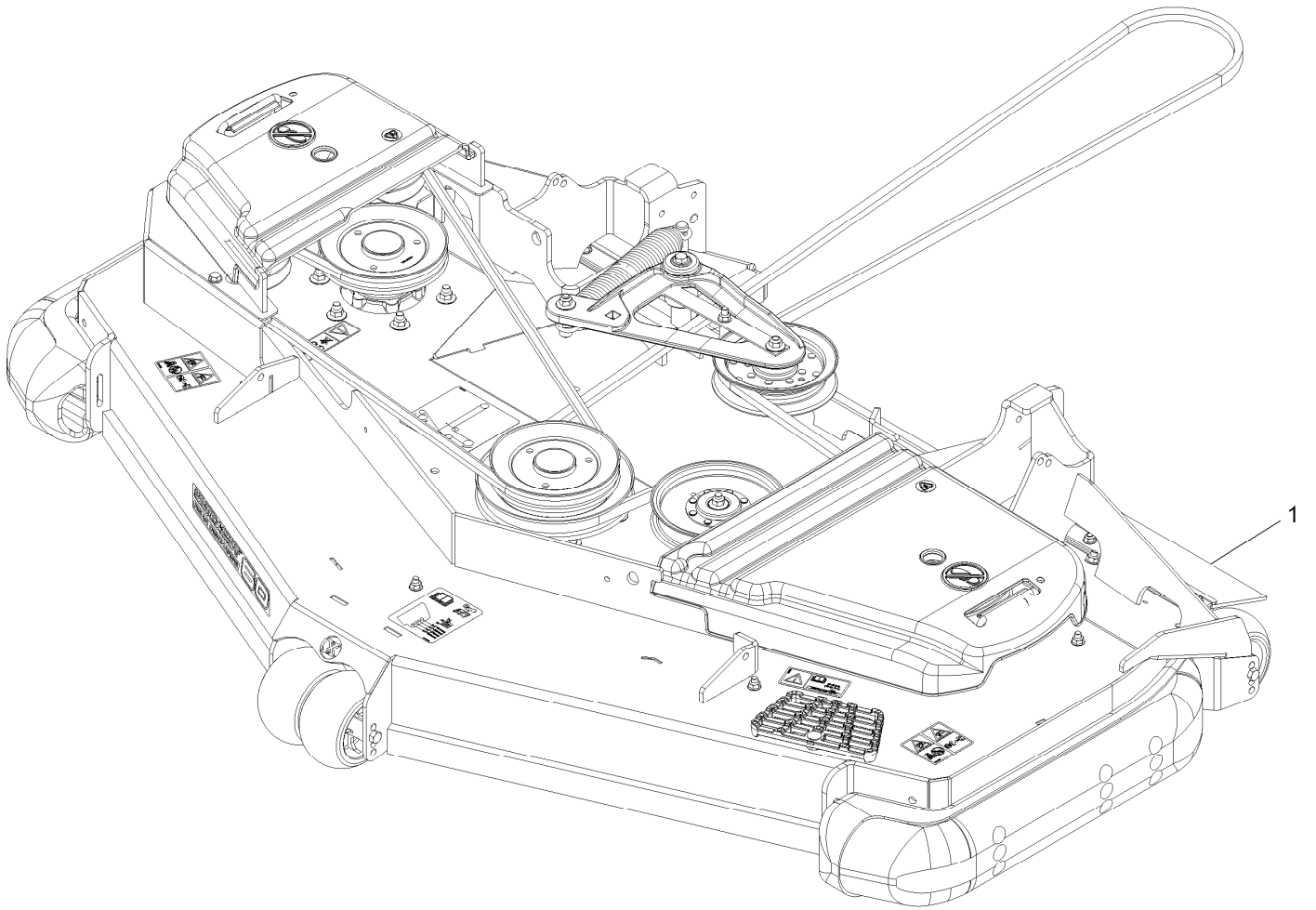


If your Exmark dealer does not have the Exmark part in stock, Exmark will get the parts to the dealer the next business day or the part will be FREE Guaranteed!! (Some restrictions apply. See your participating Exmark Dealer for details.)

## Contents

Complete Deck Assembly . . . . .	4
Deck Assembly . . . . .	6
Deck W/Decals Assembly . . . . .	8
Idler Assembly No. 126-0853 . . . . .	10
Deck Idler Assembly No. 126-1720 . . . . .	12
Rear Discharge Tunnel Assembly . . . . .	14
Discharge Tunnel Assembly No. 126-4930 . . . . .	16
Main Frame Assembly . . . . .	18
S-Series Decal . . . . .	20
Roll-Over Protection System . . . . .	22
Roll Over Protection System (cont.) . . . . .	24
Front Caster and Fork Assembly . . . . .	26
Caster Wheel and Fork Assembly . . . . .	28
Deck Lift Assembly . . . . .	30
Height-of-Cut Assembly No. 109-7438 . . . . .	32
Controls Assembly . . . . .	34
Motion Control Assembly . . . . .	36
Rear Wheel Assembly . . . . .	38
Park Brake Assembly . . . . .	40
Seat Assembly . . . . .	42
Seat Assembly (cont.) . . . . .	44
Fuel Assembly . . . . .	46
Fuel Tank Assembly . . . . .	48
Engine Assembly . . . . .	50
Hydraulic Assembly . . . . .	52
LH Hydro Assembly No. 135-7903 . . . . .	54
RH Hydro Assembly No. 135-7904 . . . . .	56
Pump Idler Assembly No. 116-1255 . . . . .	58
Electrical Assembly . . . . .	60

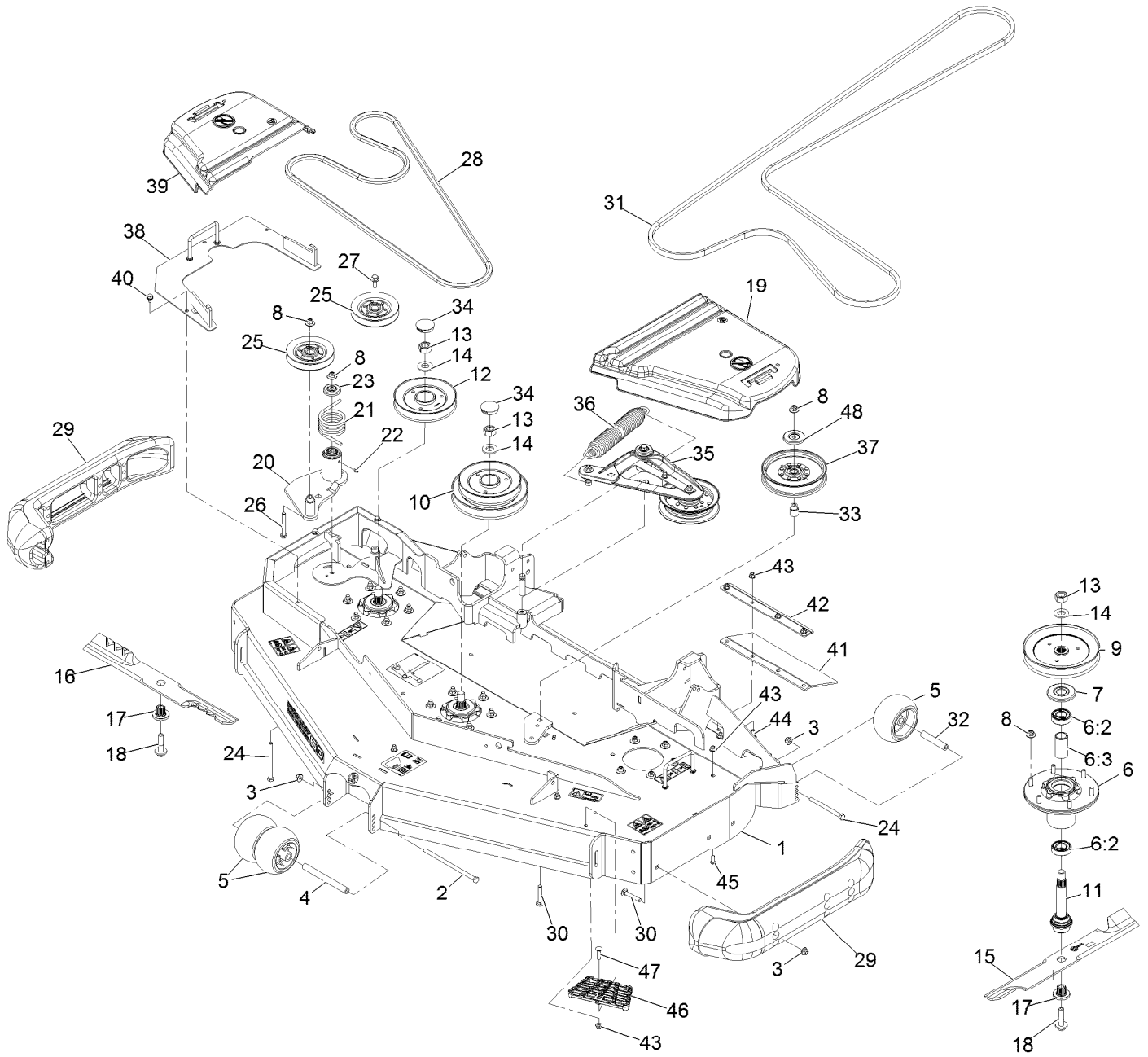
# Complete Deck Assembly



## Complete Deck Assembly (continued)

<i>Ref.</i>	<i>Part Number</i>	<i>Qty.</i>	<i>Description</i>
1	126-0376	1	ASM-Deck Complete Rd60 Nlz

# Deck Assembly



## Deck Assembly (continued)

<i>Ref.</i>	<i>Part Number</i>	<i>Qty.</i>	<i>Description</i>	<i>Ref.</i>	<i>Part Number</i>	<i>Qty.</i>	<i>Description</i>
1	116-9839	1	Deck-Rd60 Nlz, W/Decals	22	302-19	1	Zerk-1/4-28 Str
2	108-5388	1	Screw-HH 3/8-16 X 7 3/8	23	103-2916	1	Guard-Top
3	104-8301	9	Nut-Nyloc 3/8-16 Flg	24	323-23	3	Screw-HH 3/8-16 X 4-1/2
4	98-5967	1	Spacer-Wheel	25	126-1478	2	Sheave
5	1-603299	4	Roller-Scalp, Anti	26	323-13	1	Screw-HH 3/8-16 X 2 3/4
6	116-3344	3	ASM-Cutter Hsg With Bearings	27	3234-11	1	Screw-HH Flg 3/8-16 X 1
6:2	116-0720	2	Bearing-Ball	28	116-8187	1	Belt
6:3	116-3312	1	Spacer-Bearing	29	112-1479	2	Skid-Bumper, Deck
7	116-1286	3	Guard,Bearing Top .989	30	3231-7	7	Bolt-Carriage 3/8-16 X 2 1/4
8	109-6658	21	Nut-Nyloc 3/8-16 Flg	31	125-9371	1	Belt
9	116-0676	1	Sheave,Blade Drive 7.25	32	98-7912	2	Tube-Spanner
10	126-0352	1	Sheave, Double 60Rd	33	1-633456	1	Bushing, Idler
11	116-3341	3	ASM-Spindle And Seal	34	116-2253	2	Plug,Black Nylon 1.75
12	126-0354	1	Sheave-Rd Rev Drive Series 4	35	126-1720	1	Deck Idler ASM
13	116-7306	3	Nut-Hex ▲	36	116-6317	1	Spring-Extension
14	103-2802	3	Washer-Spring Disc 3/4	37	126-9189	1	Idler-Pulley, Flat 6.00X1.00
15	116-5174	2	Blade-Extreme 2, 20.50" ●	38	116-8195-01	1	Cover-Drive Reverse
15	103-6403	2	Blade, Notched	39	116-8190	1	Cover-Belt, RH
15	103-6388	2	Blade, Low Lift ●	40	9266934	3	Screw-HWH 5/16 X 1/2 Tf
16	116-8196	1	Blade-Low Lift 20.5, Rd60 ●	41	116-8191	2	Guard-Tire
16	116-8181	1	Blade-Extreme 2-20.50, Rd60	42	126-0413-01	2	Support-Outer Flap
17	103-3037	3	Bushing, Splined	43	104-8300	15	Nut-Nyloc 5/16-18 Flg
18	109-9220	3	Screw-Sems 1/2-20 X 2.19 ◆■	44	3230-16	8	Bolt-Carriage 5/16-18 X 7/8
19	109-6938	1	Cover-Belt, LH	45	3274-55	6	Screw-Button Head 5/16-18 X 3/4
20	126-0853	1	Idler ASM	46	126-4781-03	1	Step-Deck
21	108-1921	1	Spring-Torsion	47	3230-3	1	Bolt-Carriage 5/16-18 X 1 1/4
				48	126-8043	1	Shield-Dust

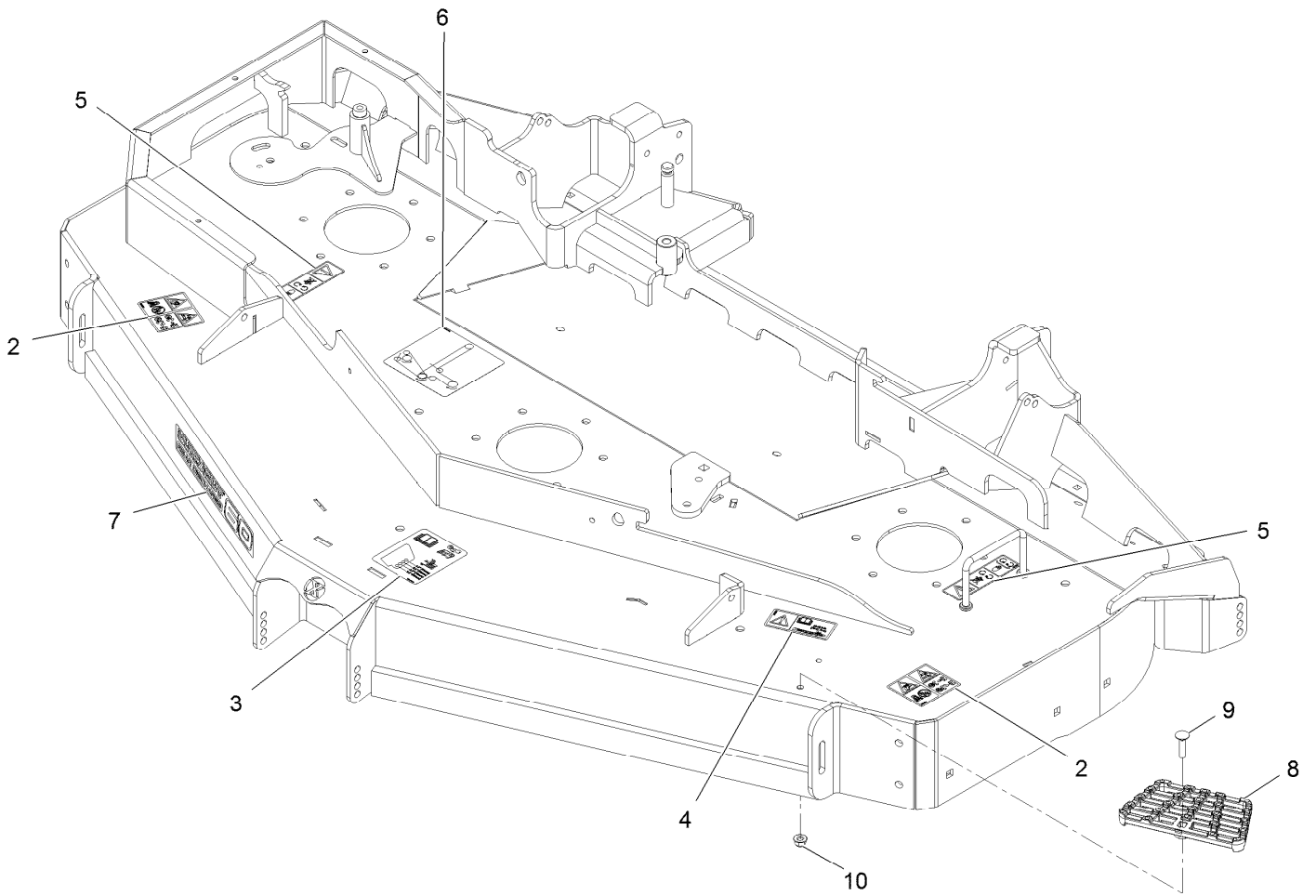
● Optional Equipment

▲ Torque to 130-160 ft-lb

◆ Apply lubricant to threads as needed to prevent seizing. Copper based anti-seize preferable. Grease is an acceptable substitute.

■ Torque to 55-60 ft-lb

# Deck W/Decals Assembly

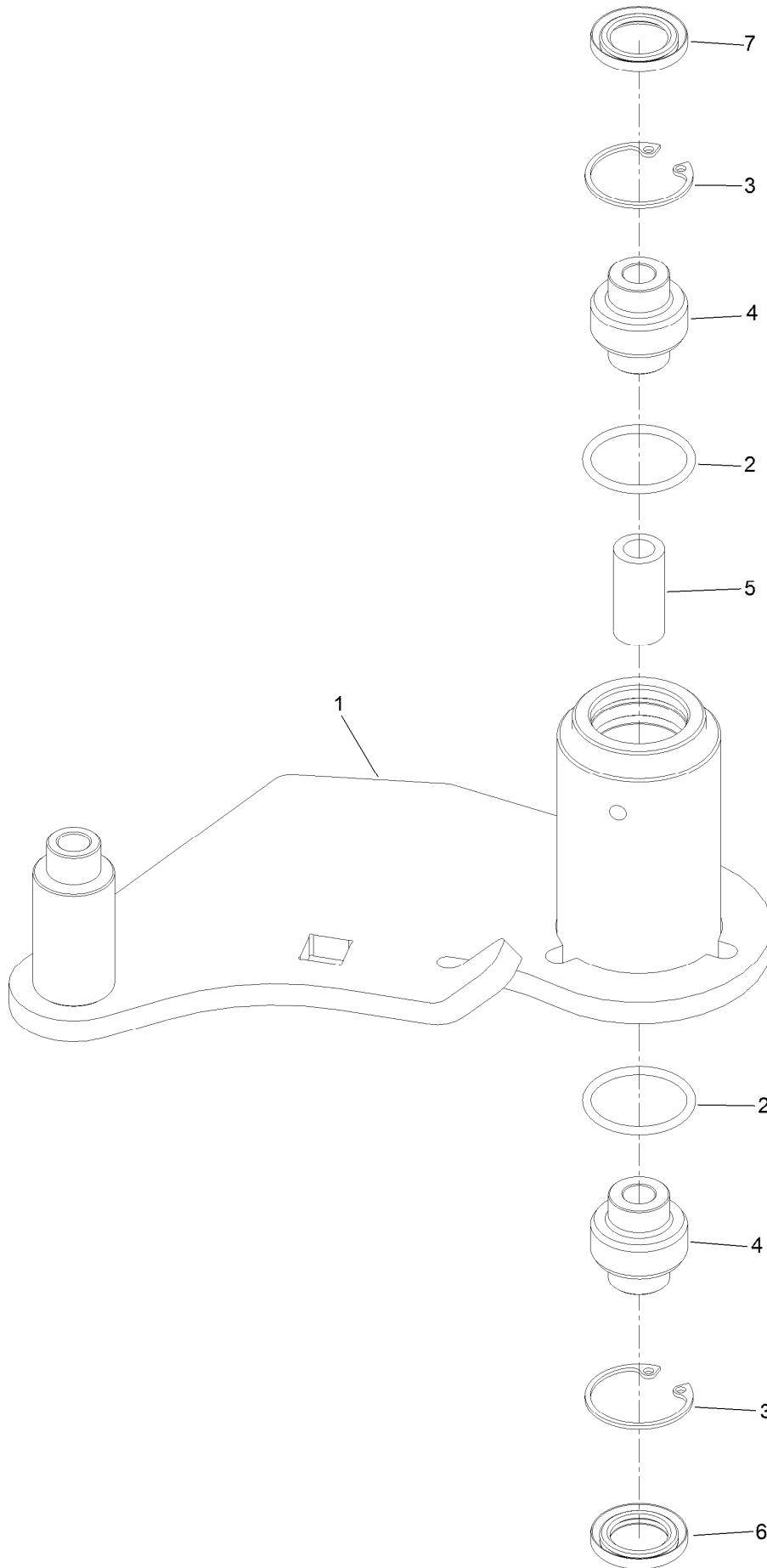




## Deck W/Decals Assembly (continued)

<i>Ref.</i>	<i>Part Number</i>	<i>Qty.</i>	<i>Description</i>	<i>Ref.</i>	<i>Part Number</i>	<i>Qty.</i>	<i>Description</i>
2	135-0664	2	Decal-Danger, Thrown Object	6	126-0768	1	Decal-Routing, Belt
3	109-6036	1	Decal-Roller, Anti-Scalp	7	126-6596	1	Decal, 60Rd
4	116-8283	1	Decal-Torque, Bolt	8	126-4781-03	1	Step-Deck
5	112-9028	2	Decal-Cover, Missing	9	3230-3	1	Screw-CARR
				10	104-8300	1	Nut-HF, NI

# Idler Assembly No. 126-0853



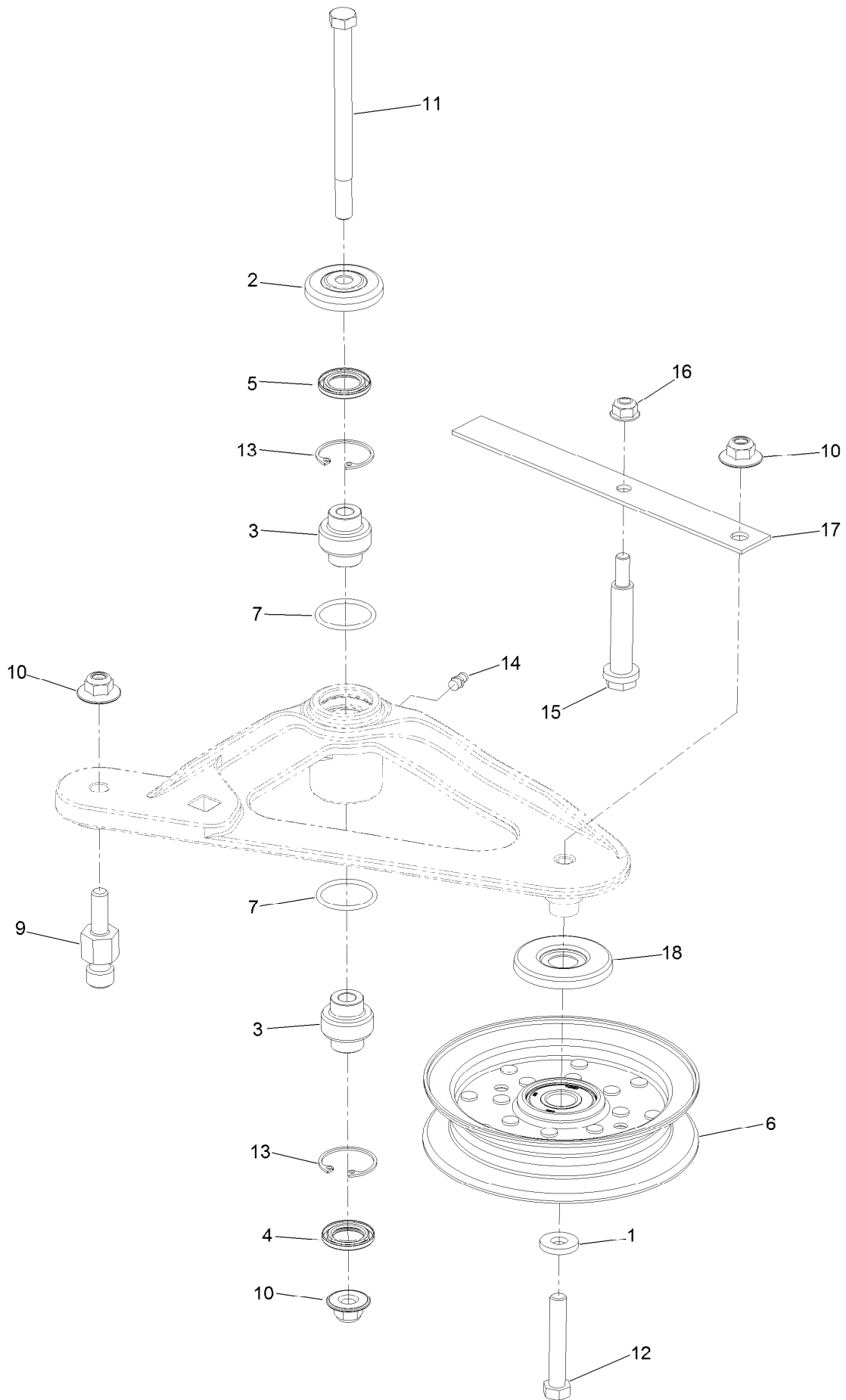
## Idler Assembly No. 126-0853 (continued)

<i>Ref.</i>	<i>Part Number</i>	<i>Qty.</i>	<i>Description</i>
1		1	Idler-Deck ●
2	106-7159	2	O-Ring
3	32120-10	2	Ring-Snap
4	103-3504	2	Bearing-Spherical

<i>Ref.</i>	<i>Part Number</i>	<i>Qty.</i>	<i>Description</i>
5	108-6544	1	Spacer
6	103-3505	1	Seal-Lip, Double
7	103-3506	1	Seal-Lip, Single

● Not serviced separately

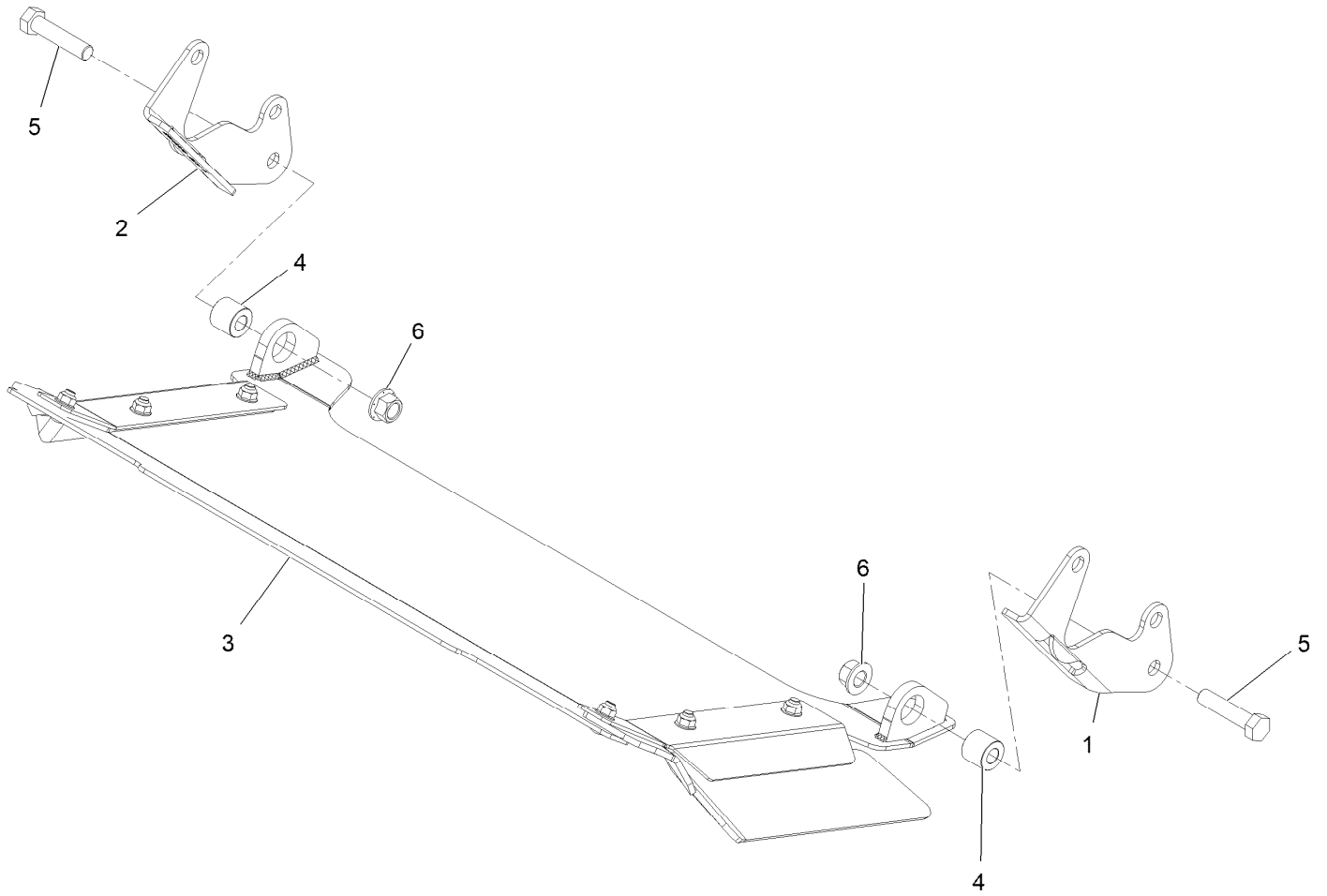
# Deck Idler Assembly No. 126-1720



## Deck Idler Assembly No. 126-1720 (continued)

<i>Ref.</i>	<i>Part Number</i>	<i>Qty.</i>	<i>Description</i>	<i>Ref.</i>	<i>Part Number</i>	<i>Qty.</i>	<i>Description</i>
1	43-0940	1	Spacer	11	109-7409	1	Screw-Shoulder, HH
2	103-2916	1	Guard-Top	12	104-3396	1	Screw-HH
3	103-3504	2	Bearing-Spherical	13	32120-10	2	Ring-Snap
4	103-3505	1	Seal-Lip, Double	14	302-19	1	Fitting-Grease
5	103-3506	1	Seal-Lip, Single	15	88-4590	1	Bolt-Shoulder
6	126-9196	1	Idler-Pulley, Flat	16	104-8300	1	Nut-HF, NI
7	106-7159	2	O-Ring	17	126-1704	1	Spring-Belt
9	126-0423	1	Pin-Spring, Anchor	18	126-9195	1	Shield-Guard, Dust
10	109-6658	3	Nut-Flange, NI				

# Rear Discharge Tunnel Assembly

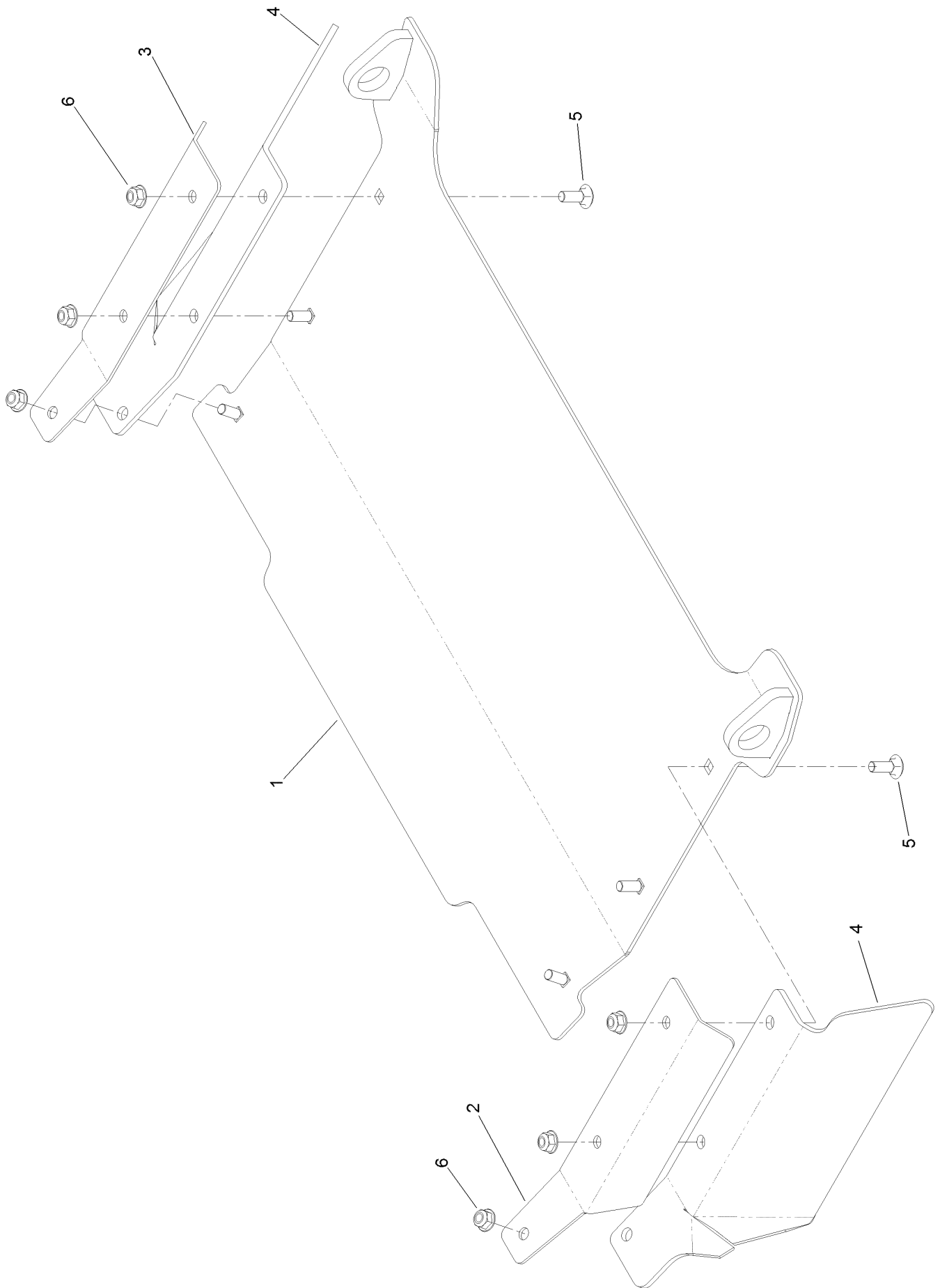


## Rear Discharge Tunnel Assembly (continued)

<i>Ref.</i>	<i>Part Number</i>	<i>Qty.</i>	<i>Description</i>
1	125-9369-03	1	Bracket-Discharge Mount, LH
2	125-9370-03	1	Bracket-Discharge Mount, RH

<i>Ref.</i>	<i>Part Number</i>	<i>Qty.</i>	<i>Description</i>
3	126-4930	1	Discharge Tunnel ASM
4	126-1705	2	Bushing-Sleeve
5	325-9	2	Screw-HH
6	99-5107	2	Nut-Lock

# Discharge Tunnel Assembly No. 126-4930

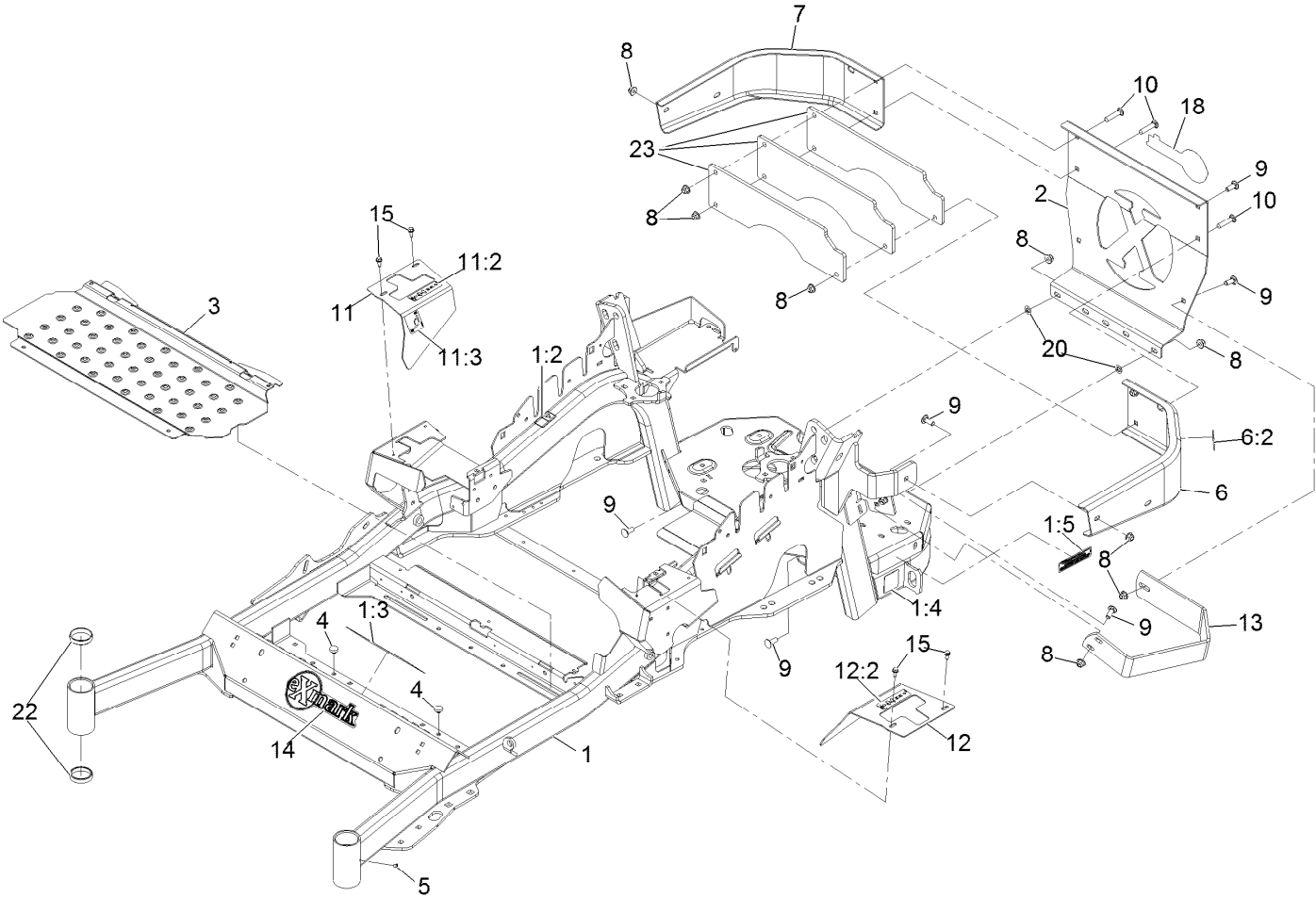




# Discharge Tunnel Assembly No. 126-4930 (continued)

<i>Ref.</i>	<i>Part Number</i>	<i>Qty.</i>	<i>Description</i>	<i>Ref.</i>	<i>Part Number</i>	<i>Qty.</i>	<i>Description</i>
1	126-4929-03	1	Discharge Tunnel ASM	4	125-9368	2	Flap-Rubber
2	125-9366-03	1	Bracket-Flap, LH	5	3230-16	6	Screw-CARR
3	125-9367-03	1	Bracket-Flap, RH	6	104-8300	6	Nut-HF, NI

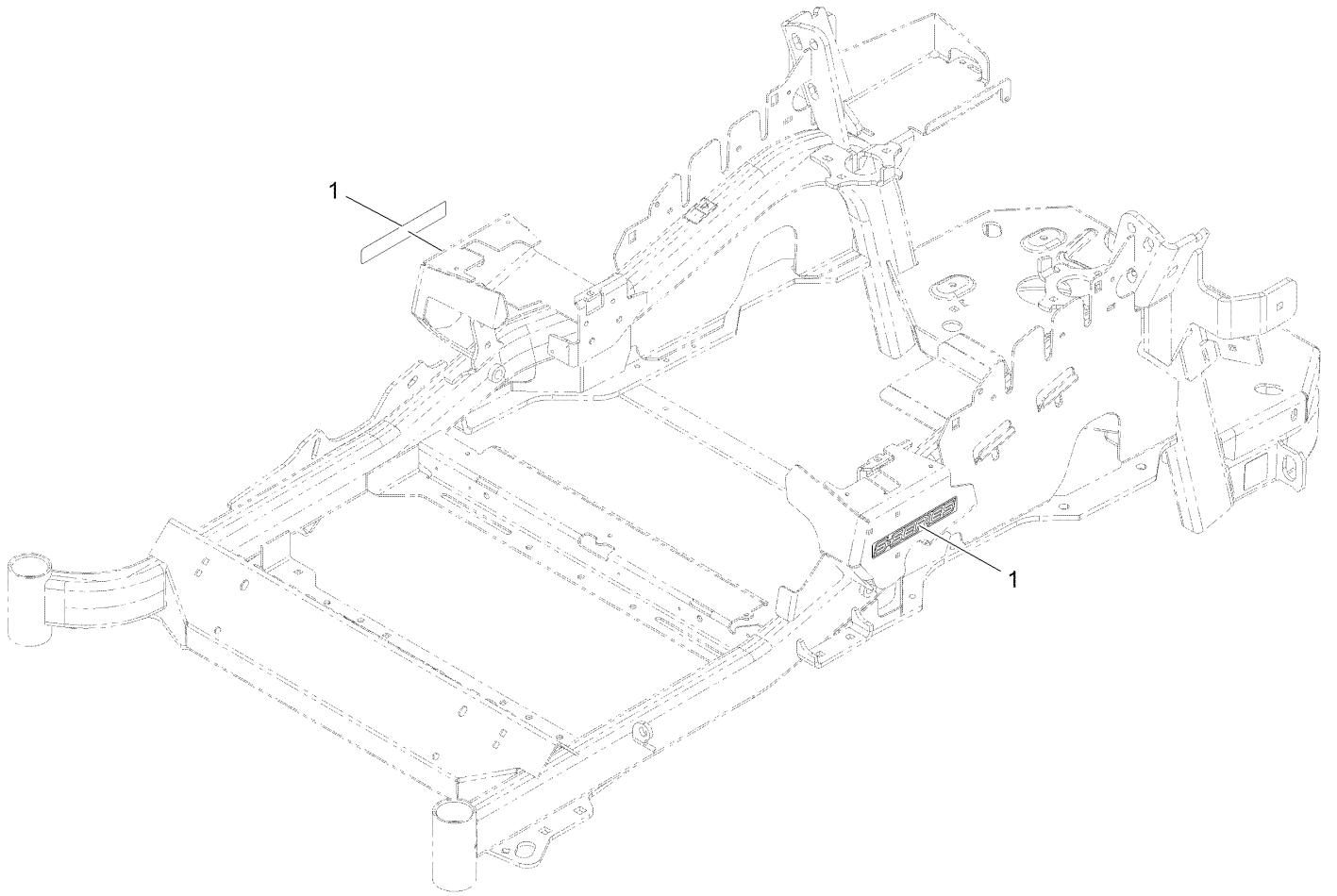
# Main Frame Assembly



## Main Frame Assembly (continued)

<i>Ref.</i>	<i>Part Number</i>	<i>Qty.</i>	<i>Description</i>	<i>Ref.</i>	<i>Part Number</i>	<i>Qty.</i>	<i>Description</i>
1	116-9720	1	Mainframe ASM	10	3231-29	3	Bolt-Carriage 3/8-16 X 1 3/4
1:2	106-5517	2	Decal-Warning	11	116-5899	1	RH Motion Control Cover ASM
1:3	132-0871	1	Decal-Danger	11:2	99-8936	1	Decal-Control, Motion
1:4	106-2655	2	Decal-Hazard, Pinched Finger	11:3	116-5988	1	Decal-Park Brake, CE
1:5	133-8062	1	Decal-Arrestor, Spark	12	116-0580	1	LH Motion Control Cover ASM
2	109-8863-03	1	Plate,Rear Guard	12:2	99-8936	1	Decal-Control, Motion
3	116-8898-01	1	Floorpan	13	126-2067-03	1	Guard-Muffler
4	1-513658	2	Bumper	14	135-2274	1	Decal-Exmark
5	1-811010	2	Plug	15	32144-10	4	Screw-HWH 1/4-20 X .62
6	116-0180	1	LH Bumper ASM	18	126-6877	1	Decal, Exmark Logo
6:2	106-5517	1	Decal-Warning	20	107-3154	2	Nut-Push 3/8-16
7	116-0057-03	1	Bumper-RH	22	1-543508	4	Cup-Bearing Tapered Roller
8	104-8301	11	Nut-Nyloc 3/8-16 Flg	23	126-4772-03	3	Plate-Weight, 6 Lb
9	3231-22	8	Bolt-Carriage 3/8-16 X 1				

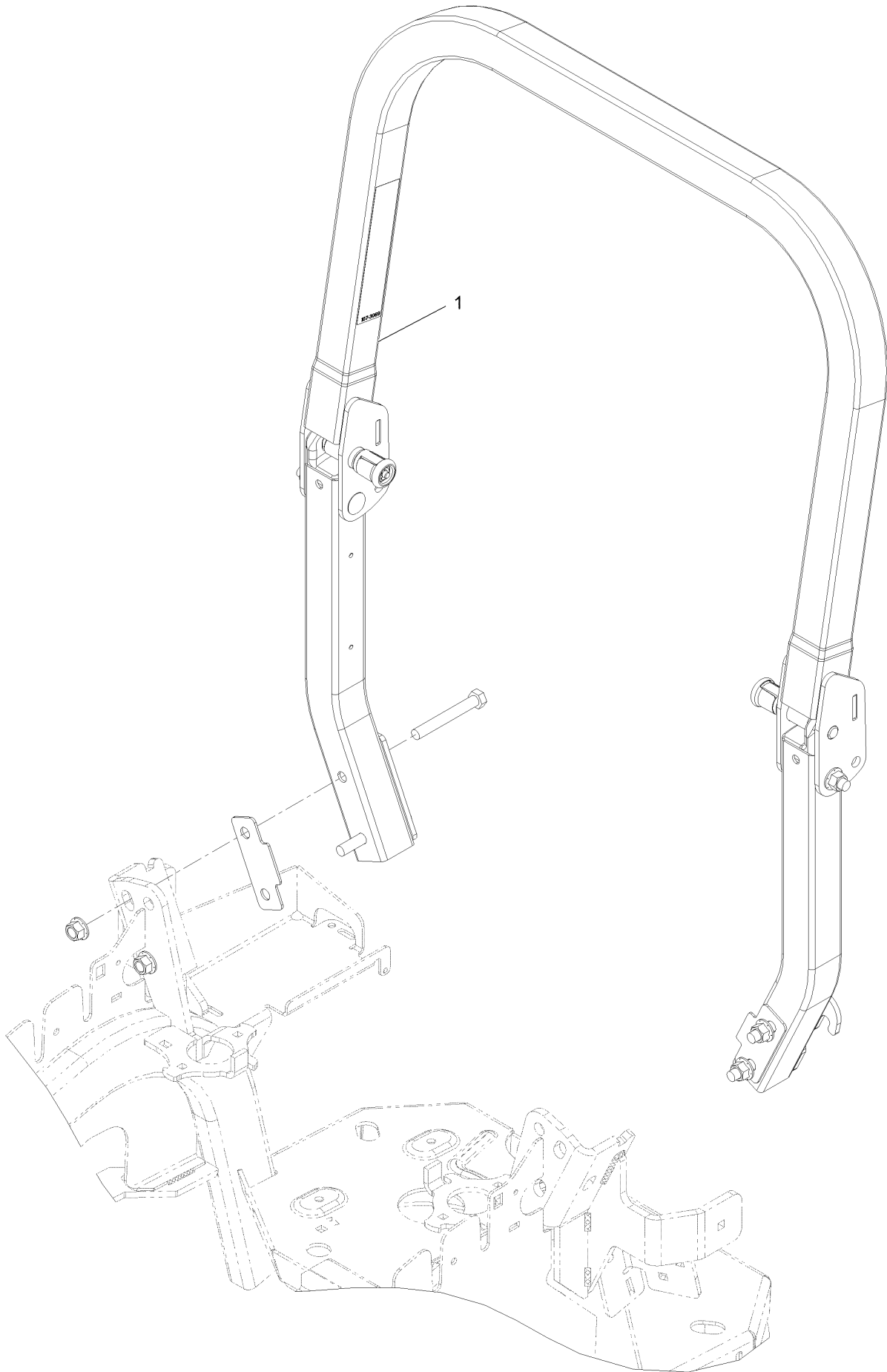
# S-Series Decal



## S-Series Decal (continued)

<i>Ref.</i>	<i>Part Number</i>	<i>Qty.</i>	<i>Description</i>
1	126-6572	2	Decal-S-Series

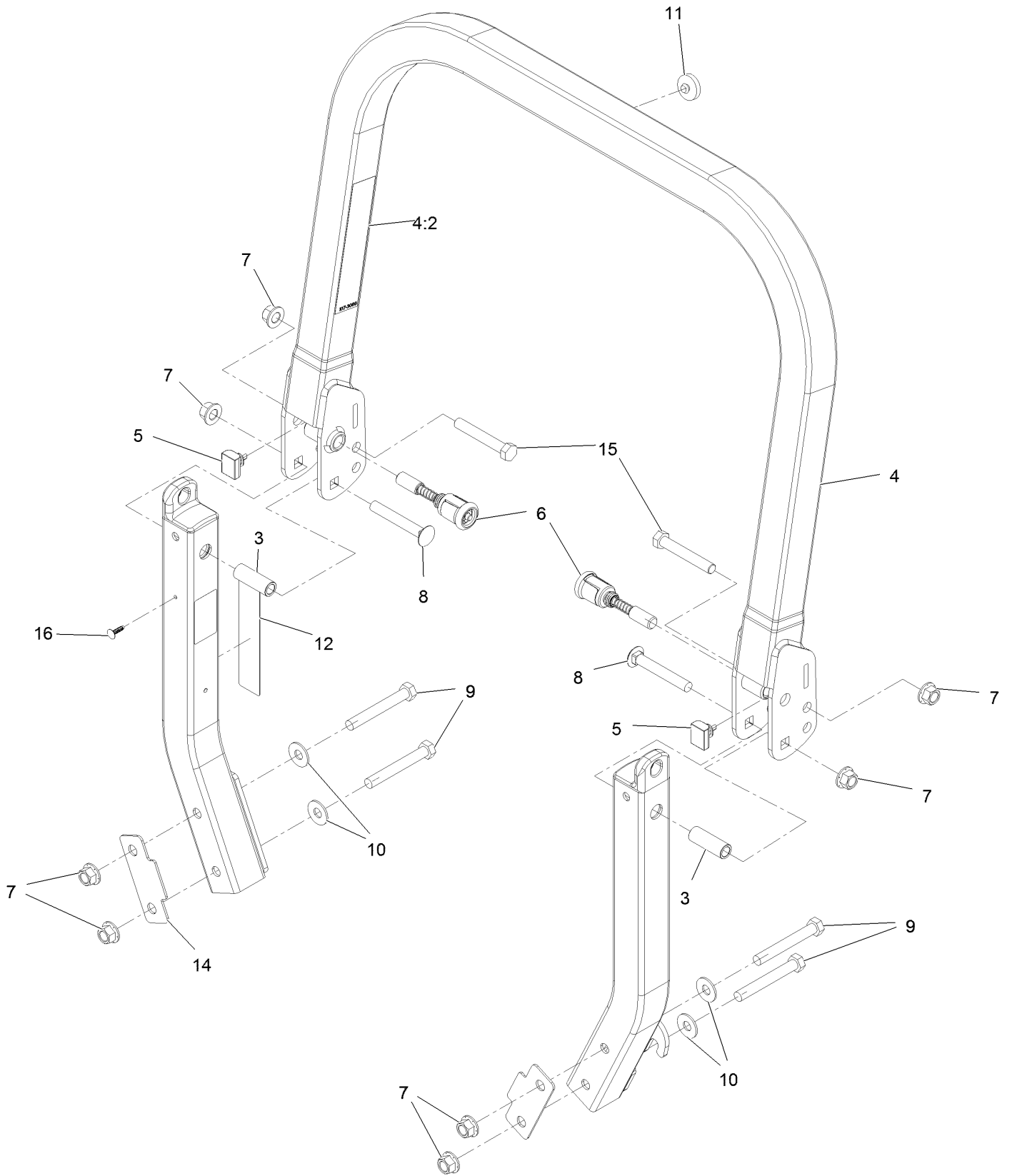
# Roll-Over Protection System



# Roll-Over Protection System (continued)

<i>Ref.</i>	<i>Part Number</i>	<i>Qty.</i>	<i>Description</i>
1	116-0230	1	ASM,ROPS Service Exmark

# Roll Over Protection System (cont.)

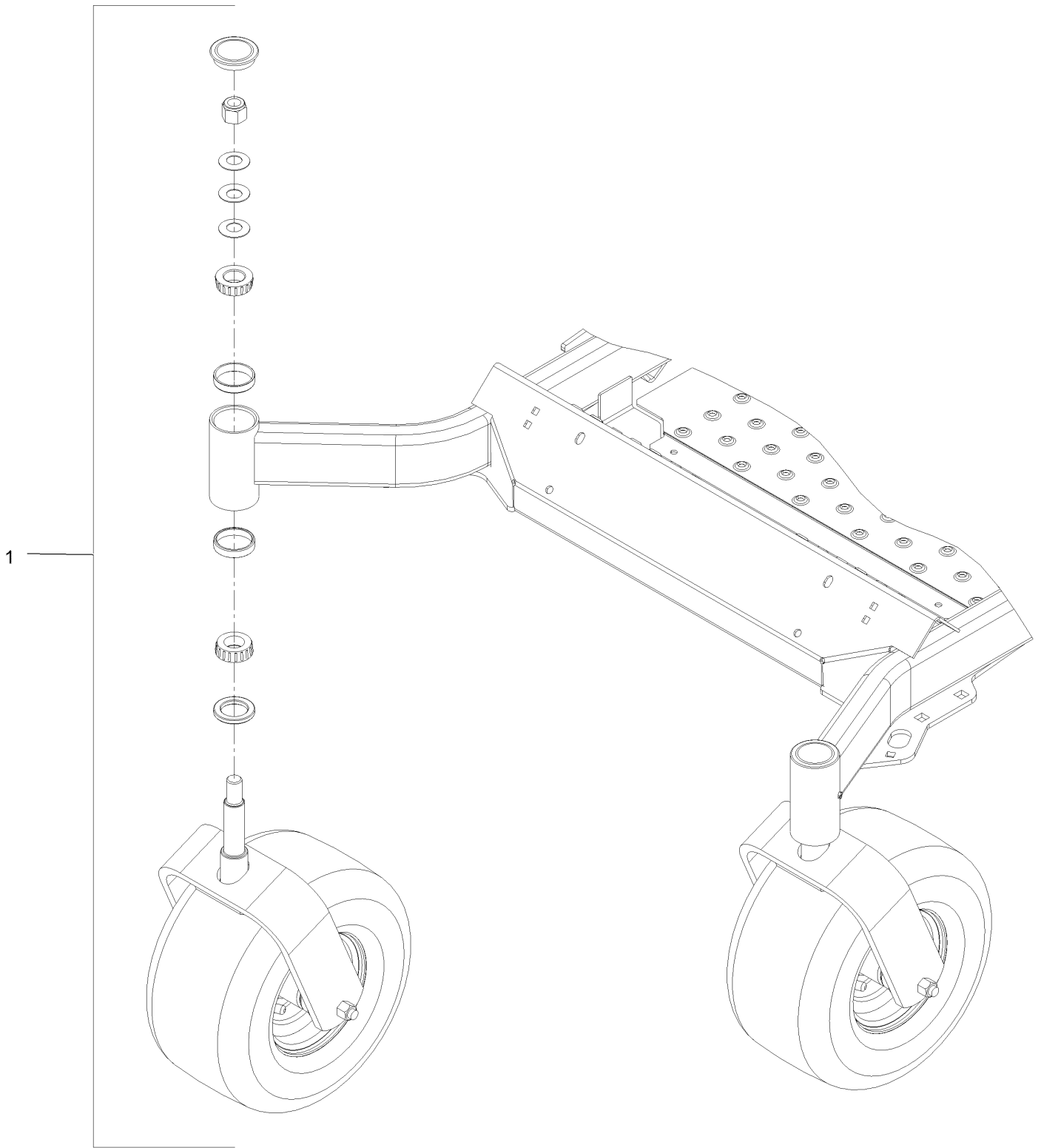




## Roll Over Protection System (cont.) (continued)

<i>Ref.</i>	<i>Part Number</i>	<i>Qty.</i>	<i>Description</i>	<i>Ref.</i>	<i>Part Number</i>	<i>Qty.</i>	<i>Description</i>
3	109-6653	2	Spacer	9	325-35	4	Screw-HH
4	116-0019	1	Upper ROPS ASM	10	109-9505	4	Washer, Spring Disc 1/2
4:2	107-3069	1	Decal-Warning	11	109-9233	1	Bumper-Push-In, Rubber
5	109-5337	2	Bumper-ROPS	12	117-0346	1	Decal-Caution, Fuel Vent
6	116-0104	2	Pin-Spring	14	116-0960	2	Spacer
7	99-5107	8	Nut-Lock 1/2-13	15	325-13	2	Screw-HH
8	3233-10	2	Bolt-Carriage 1/2-13 X 3 1/2	16	125-8067	1	Plug-Plastic

# Front Caster and Fork Assembly

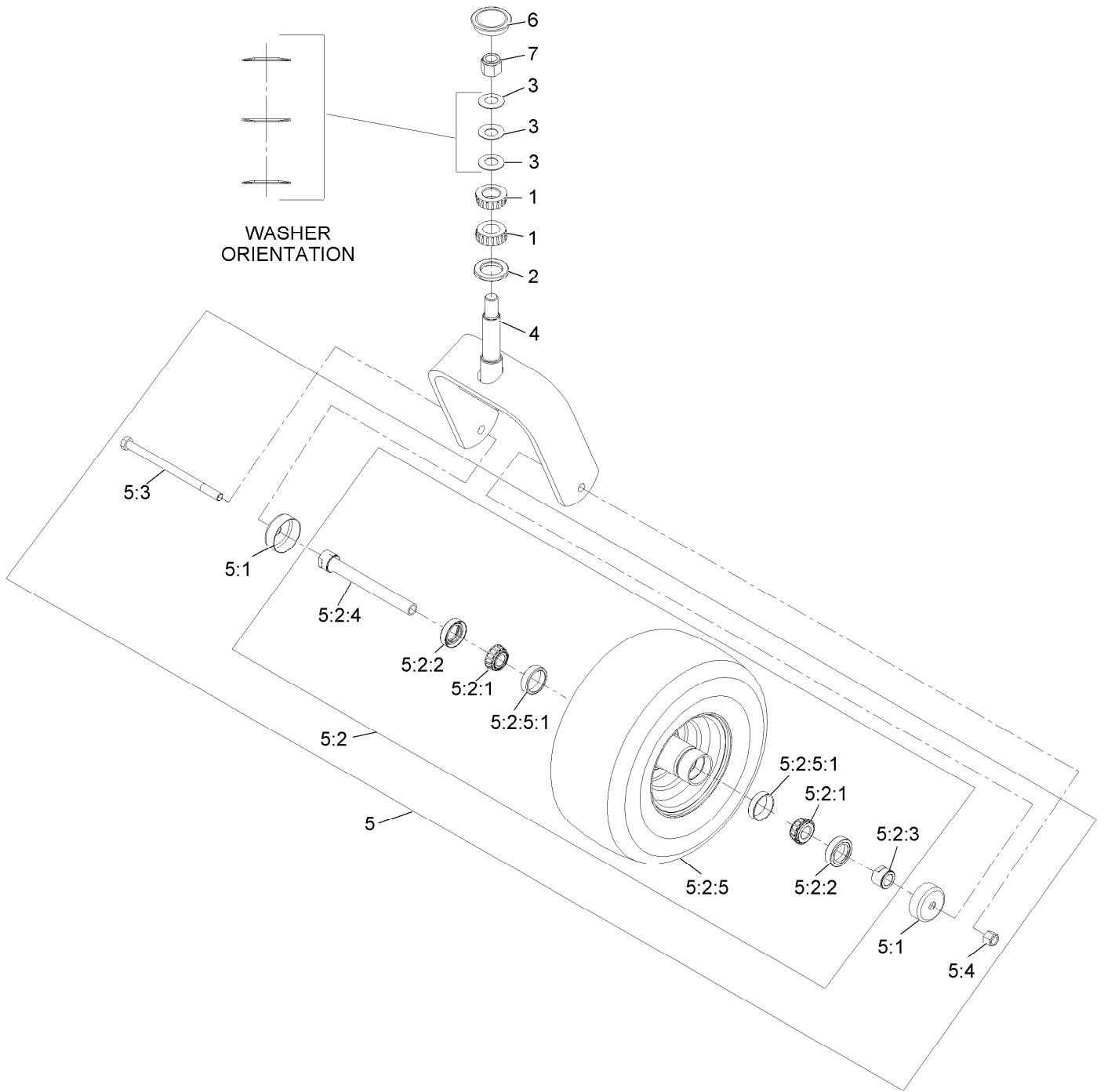


# Front Caster and Fork Assembly (continued)

<i>Ref.</i>	<i>Part Number</i>	<i>Qty.</i>	<i>Description</i>
1		2	Front Caster W/Fork ASM ●

● Not serviced separately

# Caster Wheel and Fork Assembly



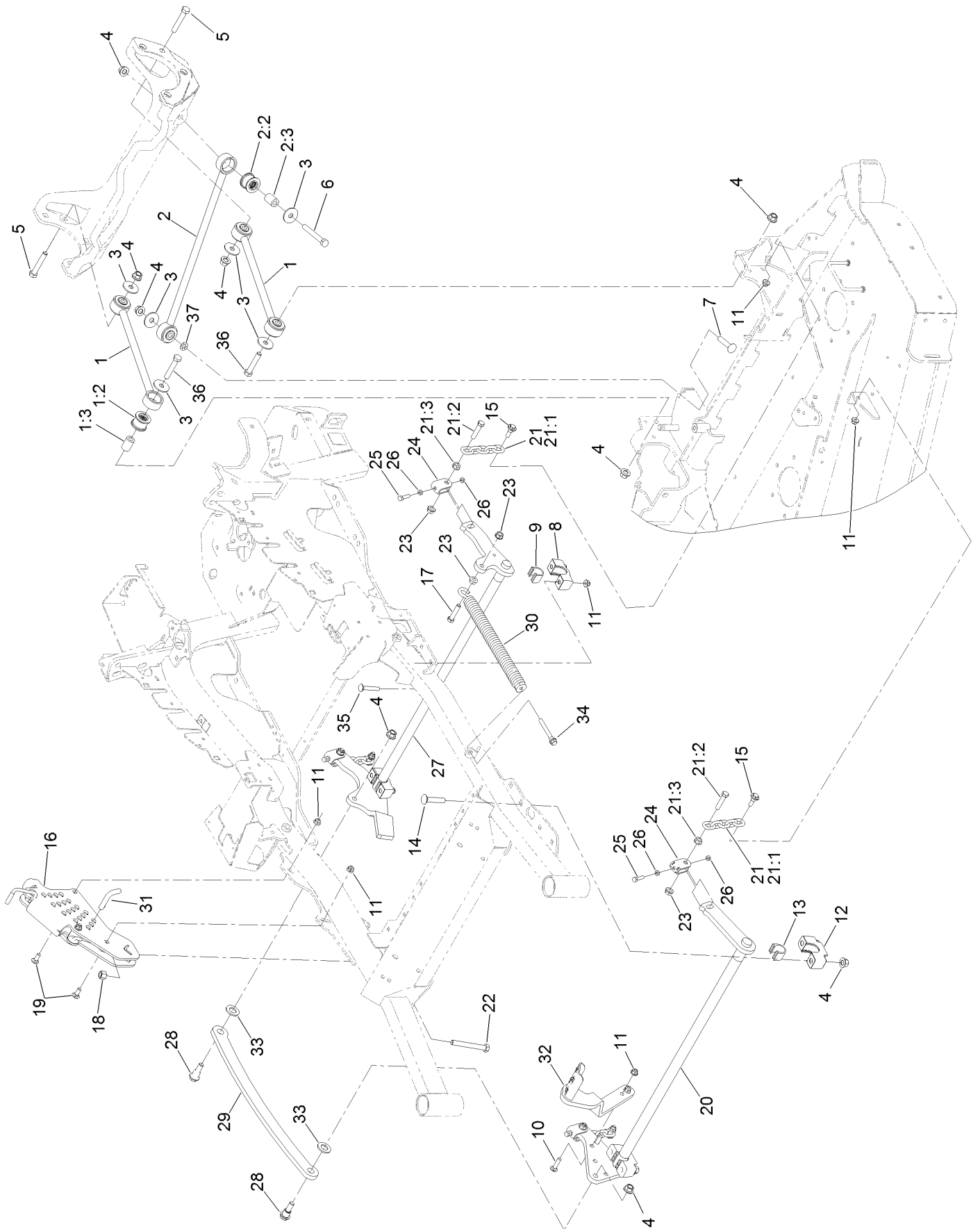
## Caster Wheel and Fork Assembly (continued)

<i>Ref.</i>	<i>Part Number</i>	<i>Qty.</i>	<i>Description</i>	<i>Ref.</i>	<i>Part Number</i>	<i>Qty.</i>	<i>Description</i>
1	1-543509	2	Bearing-Roller, Tapered	5:2:3	103-3051	1	Spacer-Nut ■
2	116-5647	1	Seal-Grease	5:2:4	126-5361	1	Axle Caster ASM
3	1-633508	3	Washer-Bellville	5:2:5		1	Wheel And Tire ASM ●
4	116-6707-01	1	Caster	5:2:5:1	1-633584	2	Bearing-Cup
5	109-9127	1	Wheel & Tire ASM	5:3	325-39	1	Screw-HH
5:1	103-2768	2	Guard-Seal	5:4	3296-23	1	Nut-Lock, NI
5:2		1	Wheel And Tire ASM ●	6	103-4882	1	Cap-Grease
5:2:1	1-633585	2	Bearing-Cone, Taper	7	3296-51	1	Nut-Lock, NI
5:2:2	103-0063	2	Seal-Caster				

● Not serviced separately

■ Use Pro-Lock, Nut Type (P/N 1-840022, .5ml tube) on threads.

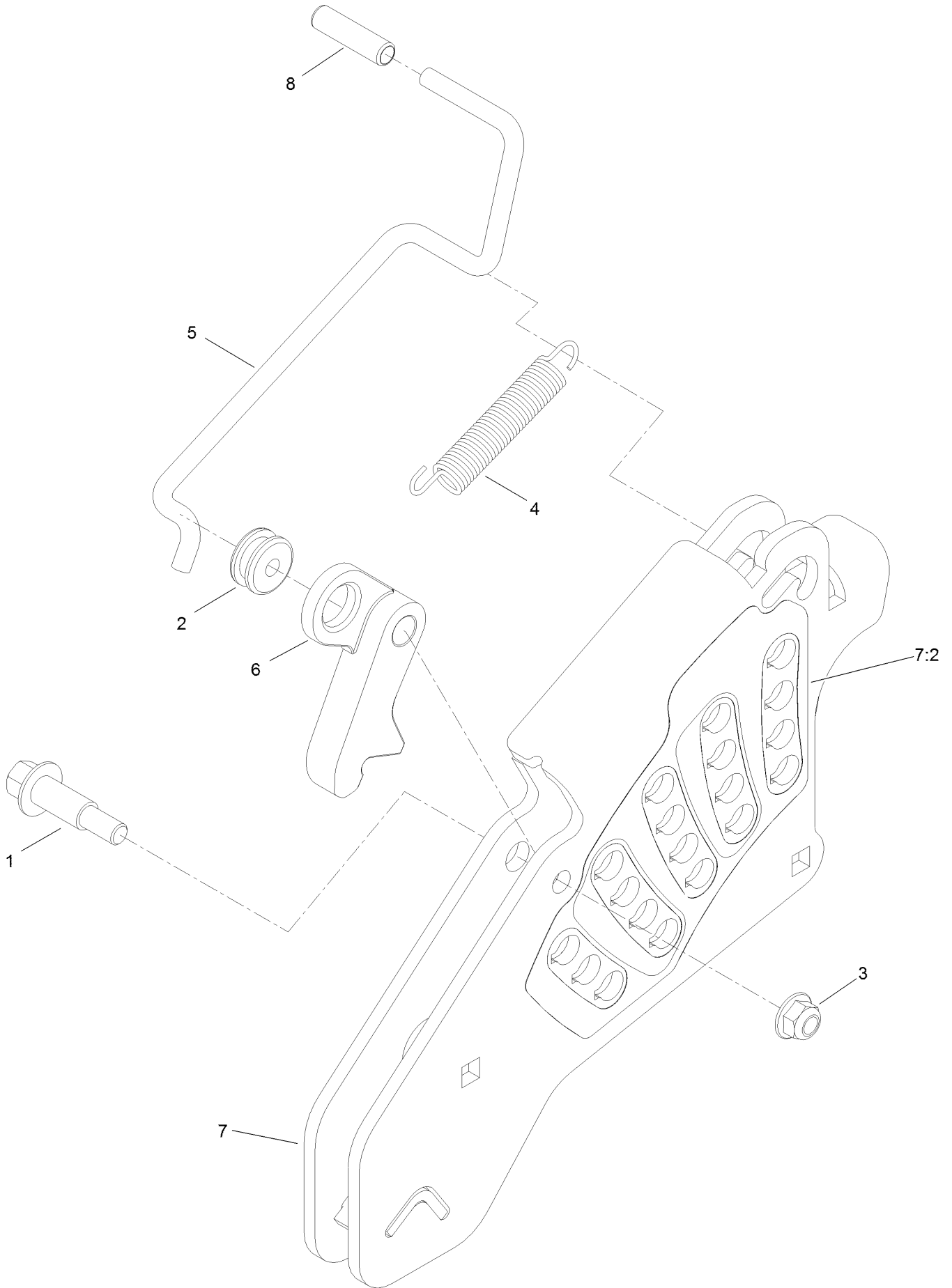
# Deck Lift Assembly



## Deck Lift Assembly (continued)

<i>Ref.</i>	<i>Part Number</i>	<i>Qty.</i>	<i>Description</i>	<i>Ref.</i>	<i>Part Number</i>	<i>Qty.</i>	<i>Description</i>
1	109-7952	2	Deck Strut ASM	17	109-9065	1	Screw-HH
1:2	109-5009	2	Bushing-Suspension, Rubber	18	3296-23	1	Nut-Lock, NI
1:3	109-5010	2	Spacer	19	3231-2	2	Bolt-CARR
2	109-5013	1	Panhard Rod ASM	20	126-2475-03	1	Decklift-Front
2:2	109-5009	2	Bushing-Suspension, Rubber	21	116-0756	4	Deck Lift Chain ASM
2:3	109-5010	2	Spacer	21:1	1-633447	1	Chain-Lift, Deck
3	86-1990	6	Washer-Thrust	21:2	109-9065	1	Screw-HH
4	99-5107	12	Nut-Lock	21:3	32128-37	1	Nut-HF
5	325-12	2	Screw-HH	22	116-0559	1	Bolt-TAP
6	325-17	1	Screw-HH	23	32128-37	6	Nut-HF
7	3233-34	1	Screw-CARR	24	109-9066	4	Yoke-Adjust, Deck
8	127-0553	2	Support-Bearing, Cross Shaft (Rear)	25	322-47	4	Screw-HH
9	109-7173	2	Bearing-Cross Shaft, Rear	26	3218-2	8	Nut-Jam
10	3231-4	2	Screw-CARR	27	116-0459-03	1	Lift-Deck, Rear
11	104-8301	12	Nut-HF, NI	28	116-0780	2	Screw-Shoulder, HHF
12	109-9409	2	Support-Bearing, Cross Shaft (Front)	29	116-0797-03	1	Link-Lift, Deck
13	109-9410	2	Bearing-Cross Shaft, Front	30	116-0000	1	Spring-Extension
14	116-1700	4	Bolt-CARR	31	116-5584	1	Pin-HOC
15	109-9840	4	Screw-Shoulder, HHF	32	116-1919-01	1	Lever-Foot
16	109-7438	1	HOC ASM	33	3256-28	2	Washer-Flat
				34	92-7674	1	Bolt-Shoulder
				35	3231-7	4	Screw-CARR
				36	325-11	2	Screw-HH
				37	126-2916	1	Nut-Push

# Height-of-Cut Assembly No. 109-7438

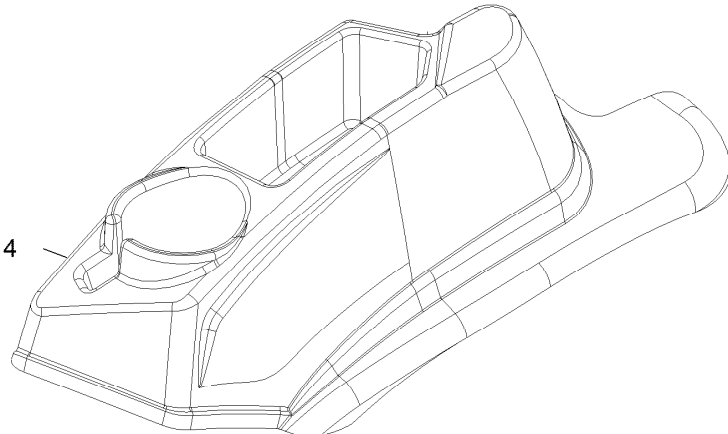
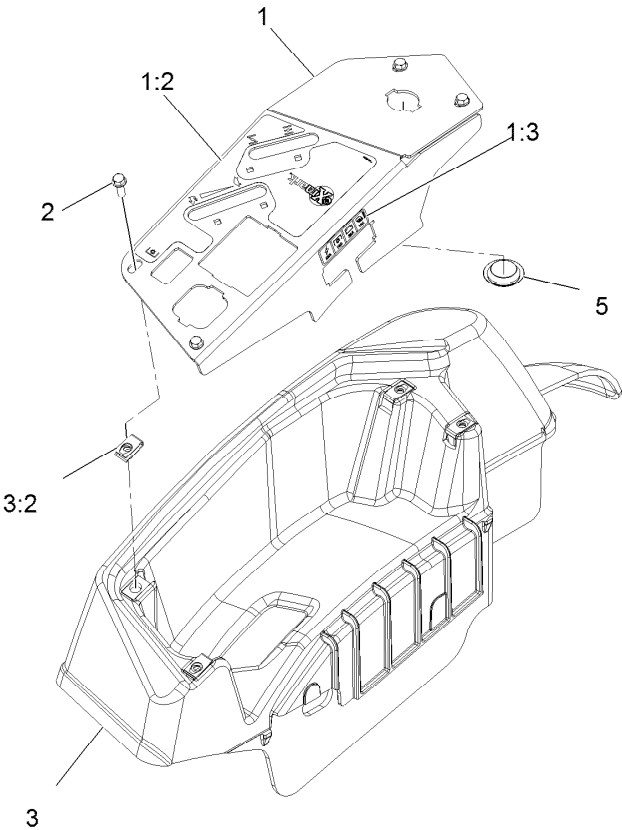




## Height-of-Cut Assembly No. 109-7438 (continued)

<i>Ref.</i>	<i>Part Number</i>	<i>Qty.</i>	<i>Description</i>	<i>Ref.</i>	<i>Part Number</i>	<i>Qty.</i>	<i>Description</i>
1	62-1330	1	Bolt-Shoulder	6	116-0118	1	Pawl-Transport, HOC
2	109-7130	1	Grommet	7	109-7335	1	HOC Plate ASM
3	104-8301	1	Nut-HF, NI	7:2	126-4398	1	Decal-HOC
4	109-7124	1	Spring-Extension	8	109-8250	1	Grip-Lever
5	109-7128	1	Rod-Lock, Transport				

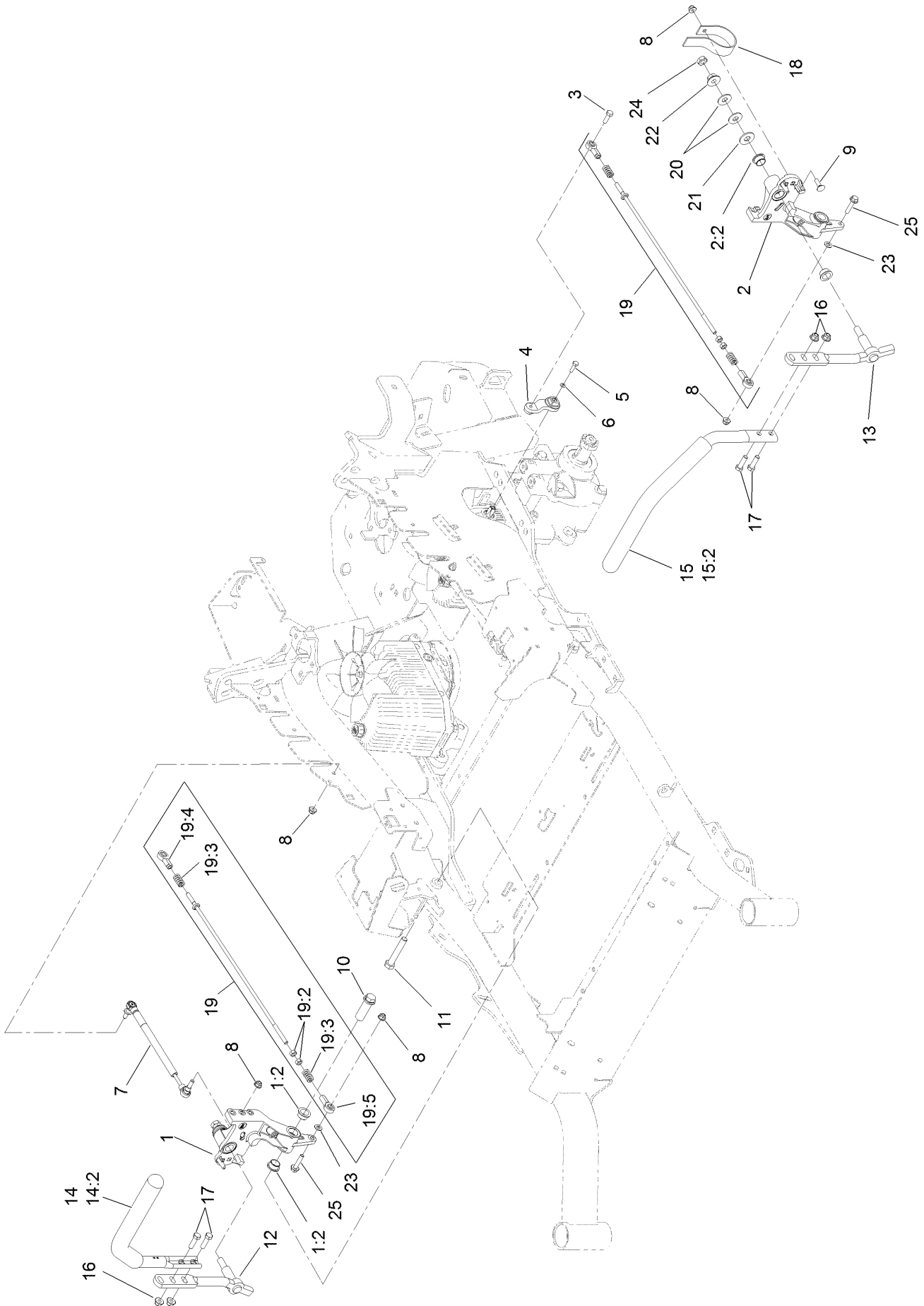
# Controls Assembly



## Controls Assembly (continued)

<i>Ref.</i>	<i>Part Number</i>	<i>Qty.</i>	<i>Description</i>	<i>Ref.</i>	<i>Part Number</i>	<i>Qty.</i>	<i>Description</i>
1	135-3146	1	ASM-Panel, Control W/Decal	2	32105-15	4	Screw-Machine 1/4-20 X 3/4
1:2	116-8724	1	Decal-Control Panel Non-EFI	3	116-1278	1	Console,RH As ASM
1:3	114-4466	1	Decal-Fuses	3:2	107069	4	Nut-Retainer-Panel 1/4-20
				4	109-9457	1	Console, LH As
				5	116-1875	1	Plug-Plastic

# Motion Control Assembly

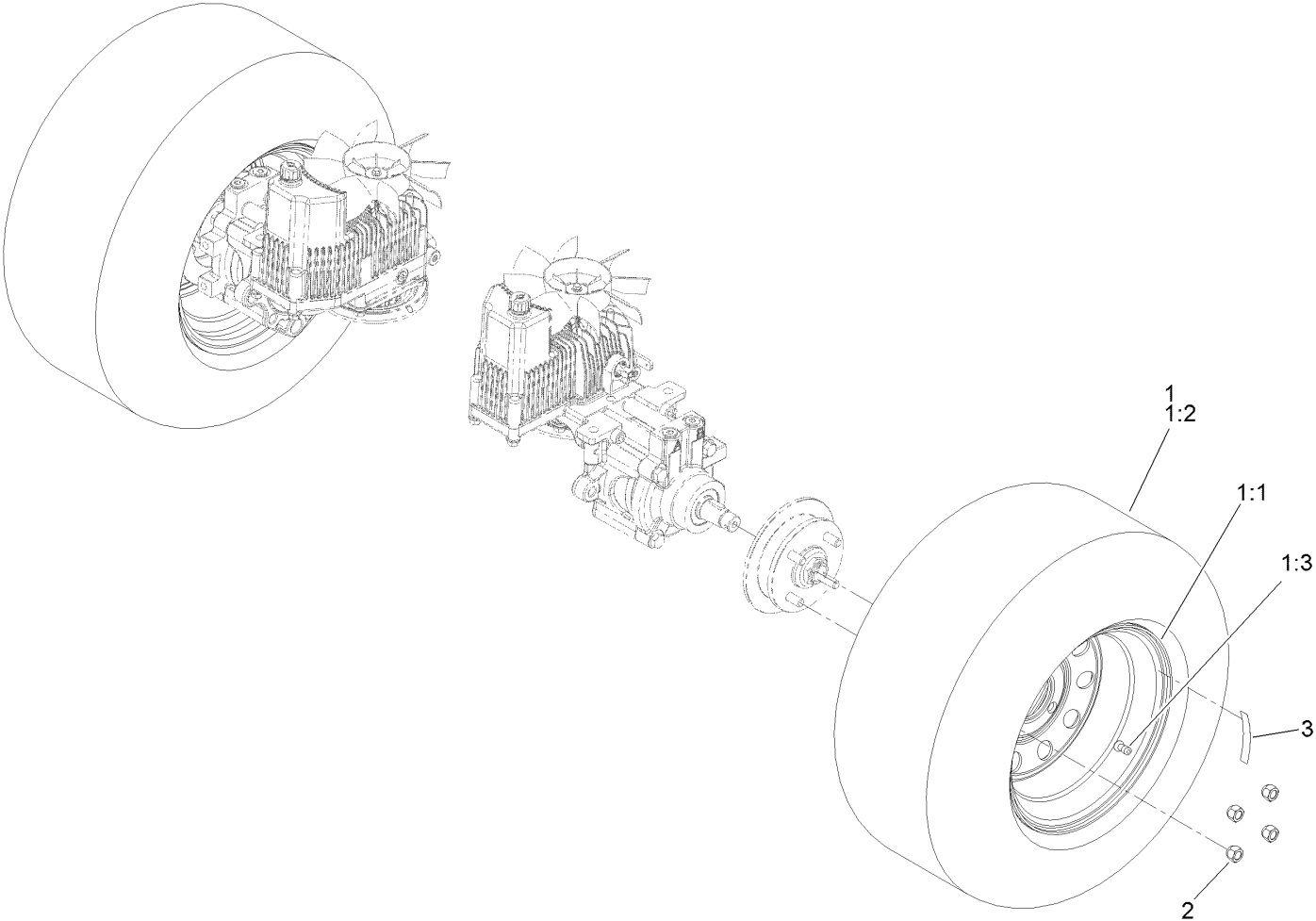


## Motion Control Assembly (continued)

<i>Ref.</i>	<i>Part Number</i>	<i>Qty.</i>	<i>Description</i>	<i>Ref.</i>	<i>Part Number</i>	<i>Qty.</i>	<i>Description</i>
1	116-0880	1	RH Motion Control And Bushing ASM	14	135-4371	1	RH Handle ASM
1:2	109-8054	4	Bushing-Flange	14:2	109-5668	1	Grip-Lever, Control
2	116-0881	1	LH Motion Control And Bushing ASM	15	135-4373	1	LH Handle ASM
2:2	109-8054	4	Bushing-Flange	15:2	109-5668	1	Grip-Lever, Control
3	116-0648	2	Screw-HH, Thread Locking ●	16	104-8301	4	Nut-HF, NI
4	109-4581	2	Arm-Control, Pump	17	323-7	4	Screw-HH
5	9080046	2	Screw-HH ●	18	109-5575	2	Spring-Leaf
6	1-303435	2	Washer-Spring	19	109-8106	2	Front Pump Linkage ASM
7	116-0027	2	Damper-Control, Motion	19:2	3219-2	2	Nut-Hex
8	104-8300	8	Nut-HF, NI	19:3	1-323245	2	Spring-Compression
9	3230-2	2	Bolt-CARR	19:4	1-633152	1	Balljoint-LH
10	109-5891	2	Hub-Threaded	19:5	1-543017	1	Balljoint-RH
11	325-12	2	Screw-HH	20	109-9505	4	Washer-Spring
12	116-0039	1	Lever-Control Motion, RH	21	3256-6	2	Washer-Flat
13	116-0040	1	Lever-Control Motion, LH	22	32128-56	2	Nut-HF
				23	3256-23	2	Washer-Plain
				24	3218-5	2	Nut-Jam
				25	115-1794	2	Screw-HHF

● Use Pro-Lock, Nut Type (P/N 1-840022, .5ml tube) on threads.

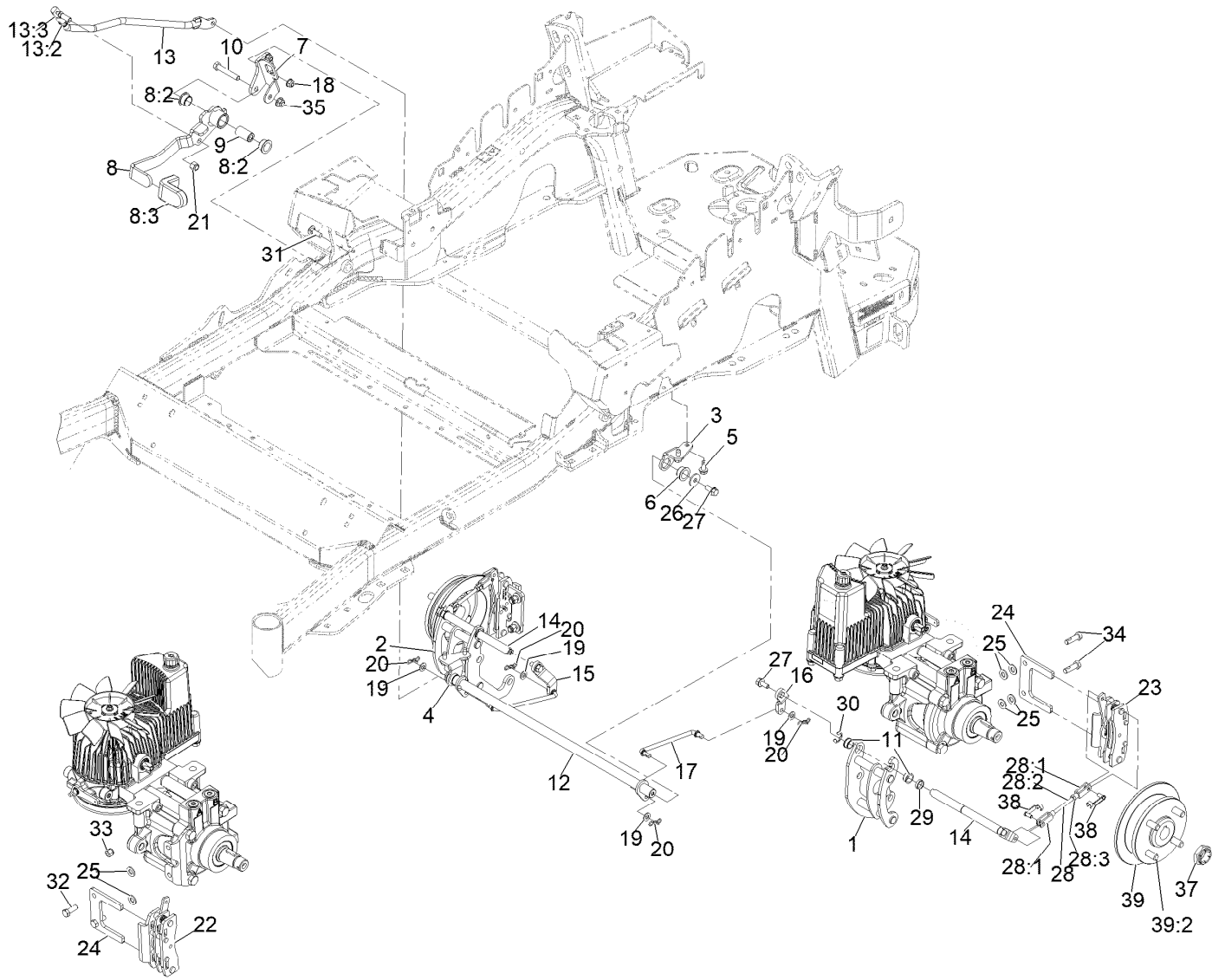
# Rear Wheel Assembly



## Rear Wheel Assembly (continued)

<i>Ref.</i>	<i>Part Number</i>	<i>Qty.</i>	<i>Description</i>	<i>Ref.</i>	<i>Part Number</i>	<i>Qty.</i>	<i>Description</i>
1	115-3588	2	Wheel And Tire ASM	2	242-50	8	Nut-Lug
1:1	109-2871	1	Rim	3	126-2055	2	Decal-Torque, Wheel Hub Lug
1:2	1-633993	1	Tire				
1:3	232-27	1	Stem-Valve				

# Park Brake Assembly

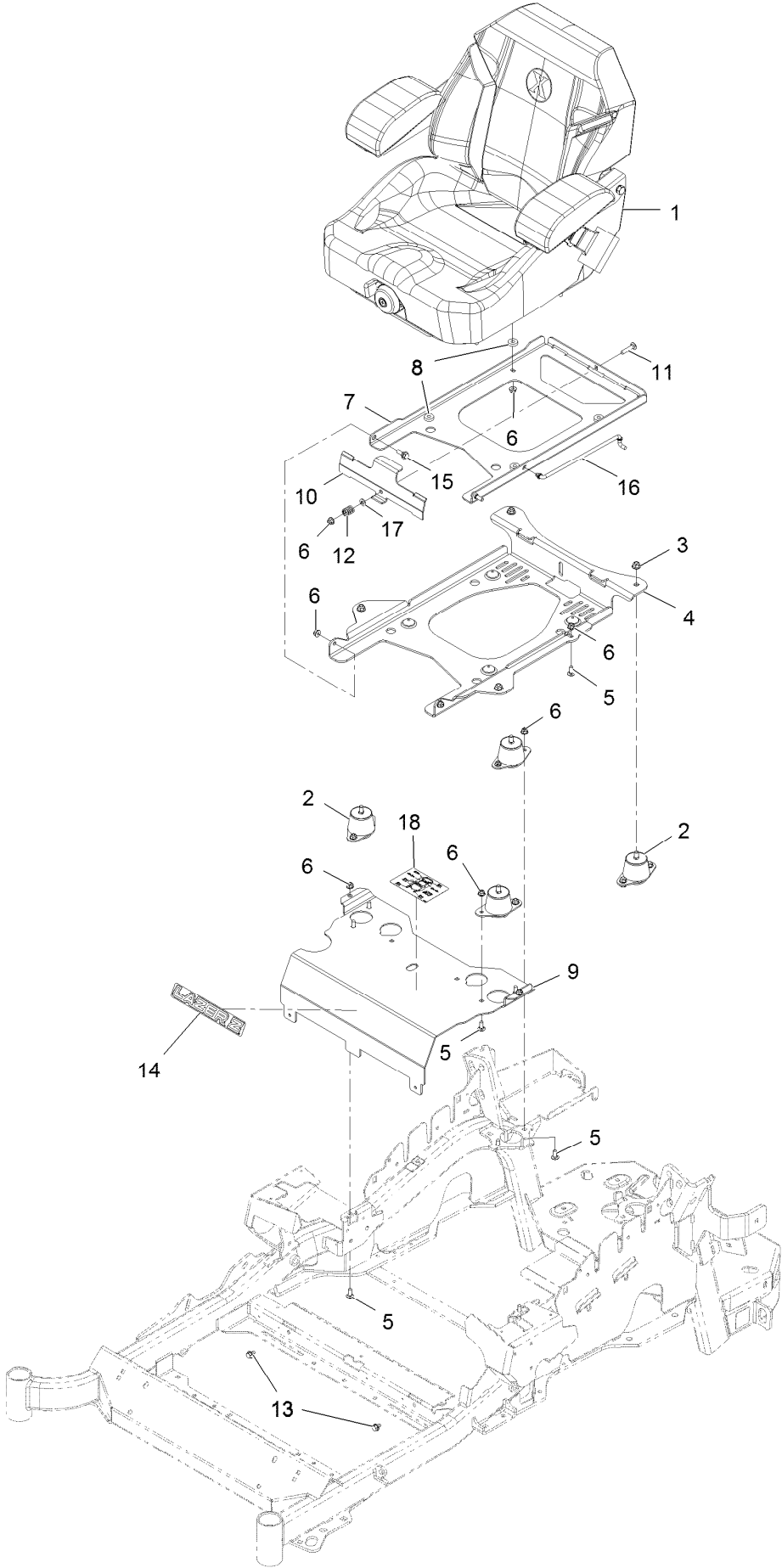




## Park Brake Assembly (continued)

<i>Ref.</i>	<i>Part Number</i>	<i>Qty.</i>	<i>Description</i>	<i>Ref.</i>	<i>Part Number</i>	<i>Qty.</i>	<i>Description</i>
1	126-4248	1	Mount-Bellcrank, LH	20	119-1415	4	Pin-Cotter, Locking
2	126-4249	1	Mount-Bellcrank, RH	21	3296-6	1	Nut-Nyloc 3/8-24
3	116-9681	1	Mount-Pivot, LH	22	135-7440	1	Caliper-Brake, RH
4	116-9682	1	Mount-Pivot, RH	23	135-7441	1	Caliper-Brake, LH
5	32144-70	4	Screw-HWH 5/16-18 X 3/4 Tf	24	135-7828	2	Plate-Mount, Brake
6	109-8054	2	Bushing-Flanged	25	3256-24	6	Washer-3/8 SAE
7	116-9096-01	1	Bracket-Mount	26	115-7109	2	Washer-Flat
8	135-7565	1	Brake Lever ASM	27	98-9940	4	Screw-HHF
8:2	109-8054	2	Bushing-Flanged	28	126-7587	2	Rear Linkage ASM
8:3	132-4749	1	Grip-Lever	28:1	126-7588	2	Yoke
9	116-9117	1	Pivot-Handle, Brake	28:2	116-9069	1	Linkage, Rear
10	323-11	1	Screw-HH 3/8-16 X 2 1/4	28:3	3220-1	1	Nut-Jam 1/4-28
11	126-6199	4	Bushing	29	126-6200	2	Spacer
12	135-7800	1	Shaft-Cross	30	32120-19	2	E-Ring
13	135-7805	1	ASM, Front Linkage	31	3230-2	2	Bolt-Carriage 5/16-18 X 1
13:2	94-7572	1	End-Tie Rod, RH	32	135-7915	2	Screw-HH,
13:3	3220-3	1	Nut-Jam 3/8-24	33	112-0236	2	Nut-Lock
14	126-4251	2	Bellcrank	34	135-7890	2	Screw-HH, Patch,
15	126-3716	1	Arm-Inner, RH	35	104-8301	1	Nut-Nyloc 3/8-16 Flg
16	126-3715	1	Arm-Inner, LH	37	116-1399	2	Locknut
17	135-7583	2	Link-Mid	38	126-6395	4	Pin-Clevis, Spring
18	104-8300	2	Nut-Nyloc 5/16-18 Flg	39	142-2701	2	Wheel Hub ASM
19	3256-23	4	Washer-5/16 SAE	39:2	116-1696	4	Stud-Wheel

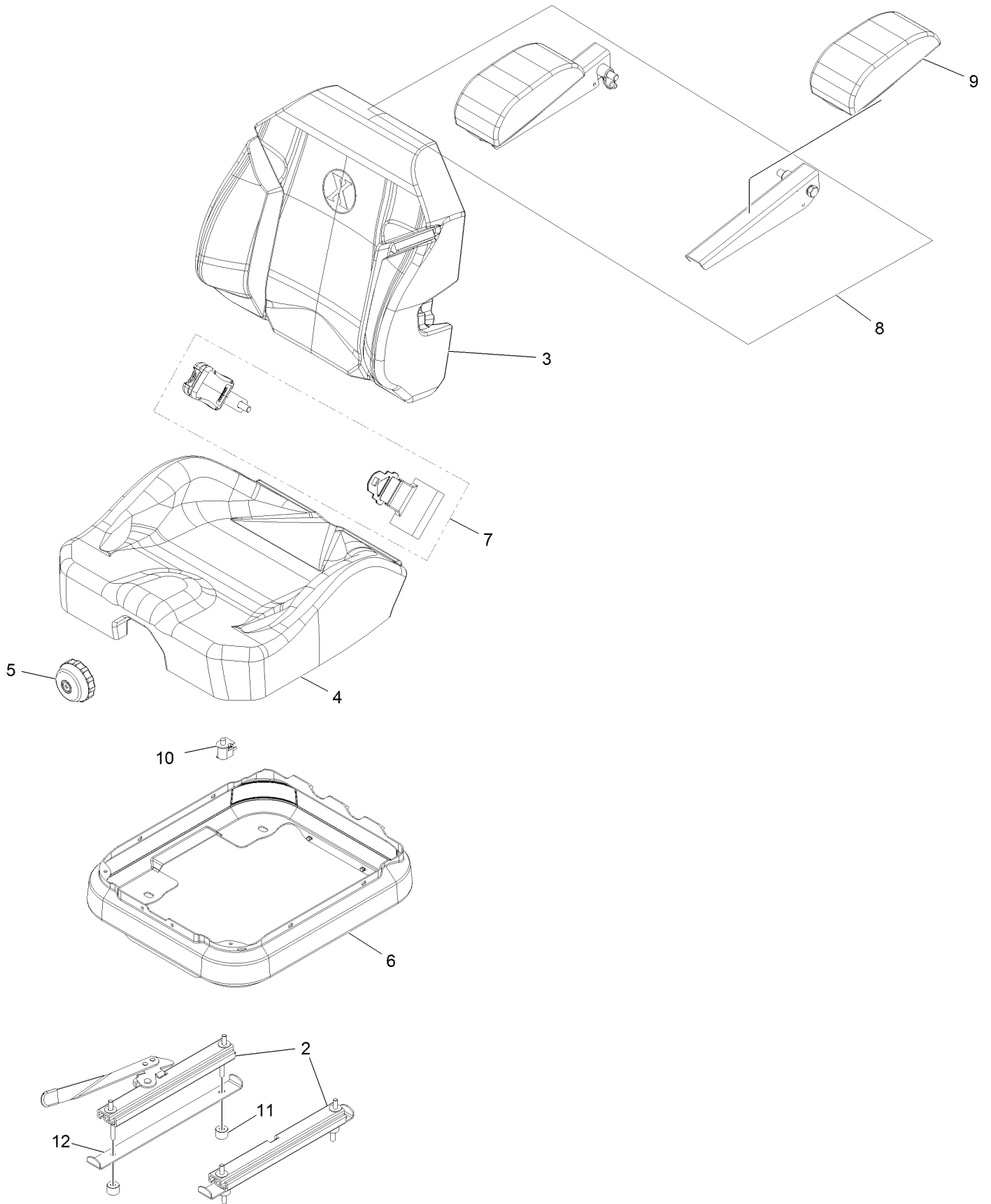
# Seat Assembly



## Seat Assembly (continued)

<i>Ref.</i>	<i>Part Number</i>	<i>Qty.</i>	<i>Description</i>	<i>Ref.</i>	<i>Part Number</i>	<i>Qty.</i>	<i>Description</i>
1	116-8912	1	Kit-Suspension Seat	10	109-9881-03	1	Plate-Latch, Seat
2	109-9034	4	Isolator-Seat	11	3230-4	1	Bolt-Carriage 5/16-18 X 1 1/2
3	104-8301	4	Nut-Nyloc 3/8-16 Flg	12	107-3017	1	Spring-Compression
4	116-3860-03	1	Plate-Tilt, Seat Support	13	9266934	2	Screw-HWH 5/16 X 1/2 Tf
5	3230-23	11	Bolt-Carriage 5/16-18 X 3/4 Short Neck	14	126-6574	1	Decal, Lazer Model
6	104-8300	18	Nut-Nyloc 5/16-18 Flg	15	116-1297	2	Screw-Shoulder
7	116-3859-03	1	Plate-Frame, Seat	16	116-0070	1	Rod-Prop
8	26-4840	4	Spacer-Pin, Mounting	17	3256-23	1	Washer-5/16 SAE
9	116-2130-03	1	Panel-Front, Seat Mount	18	114-4465	1	Decal-Service Aid

# Seat Assembly (cont.)

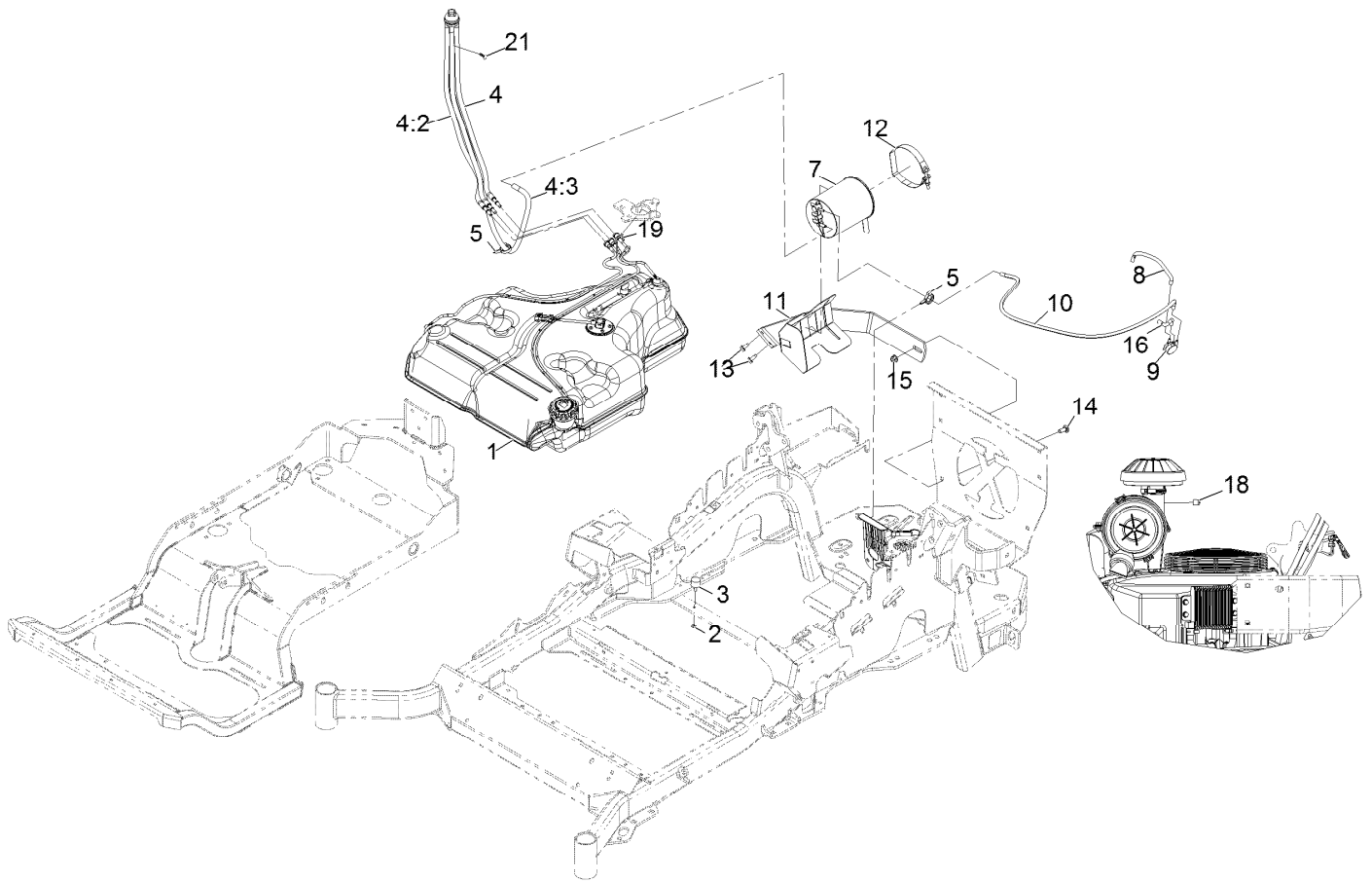


## Seat Assembly (cont.) (continued)

<i>Ref.</i>	<i>Part Number</i>	<i>Qty.</i>	<i>Description</i>	<i>Ref.</i>	<i>Part Number</i>	<i>Qty.</i>	<i>Description</i>
2	116-8910	1	Seat Track Set	7	126-2061	1	Seat Belt Service Kit
3	116-8908	1	Cover-Back 311463Vn500	8	116-8906	1	Kit-Arm Rest Set
4	116-8909	1	Cover-Cushion 311464Vn500	9	116-8905	1	Kit-Arm Rest Pads
5	116-8911	1	Knob-Adjuster	10	82-2190	1	Switch
6	116-5659	1	Cover-Suspension Bellows	11	116-9329	4	Spacer
				12	126-9918-03	2	Stop, Seat ●

● Used on Diesel models only

# Fuel Assembly



## Fuel Assembly (continued)

<i>Ref.</i>	<i>Part Number</i>	<i>Qty.</i>	<i>Description</i>	<i>Ref.</i>	<i>Part Number</i>	<i>Qty.</i>	<i>Description</i>
1	135-0643	1	Fuel Tank ASM	11	116-1433-03	1	Mount-Canister
2	3218-1	2	Nut-Jam 1/4-20	12	116-2228	1	Clamp, T-Bolt
3	1-523420	2	Bumper	13	32144-70	2	Screw-HWH 5/16-18 X 3/4 Tf
4	127-0583	1	Fuel Manifold Vent ASM	14	3231-22	1	Bolt-Carriage 3/8-16 X 1
4:2	109-0302	3	Hose-Fuel Line 24"	15	104-8301	1	Nut-Nyloc 3/8-16 Flg
4:3	108-5376	1	Hose-Fuel	16	119-8502	1	Hose-Vent, Formed
5	105-1853	2	Clamp-Hose	18	116-4464	1	Plug-Port
7	116-1442	1	Canister-Carbon, 1200Cc	19	116-6005	1	Retainer-Line, Vapor
8	135-3415	1	Hose-Vent,Formed	21	125-8067	1	Plug-Plastic
9	116-2232	1	Valve-Control, Vacuum				
10	135-3417	1	Hose,Vent,Formed				

# Fuel Tank Assembly

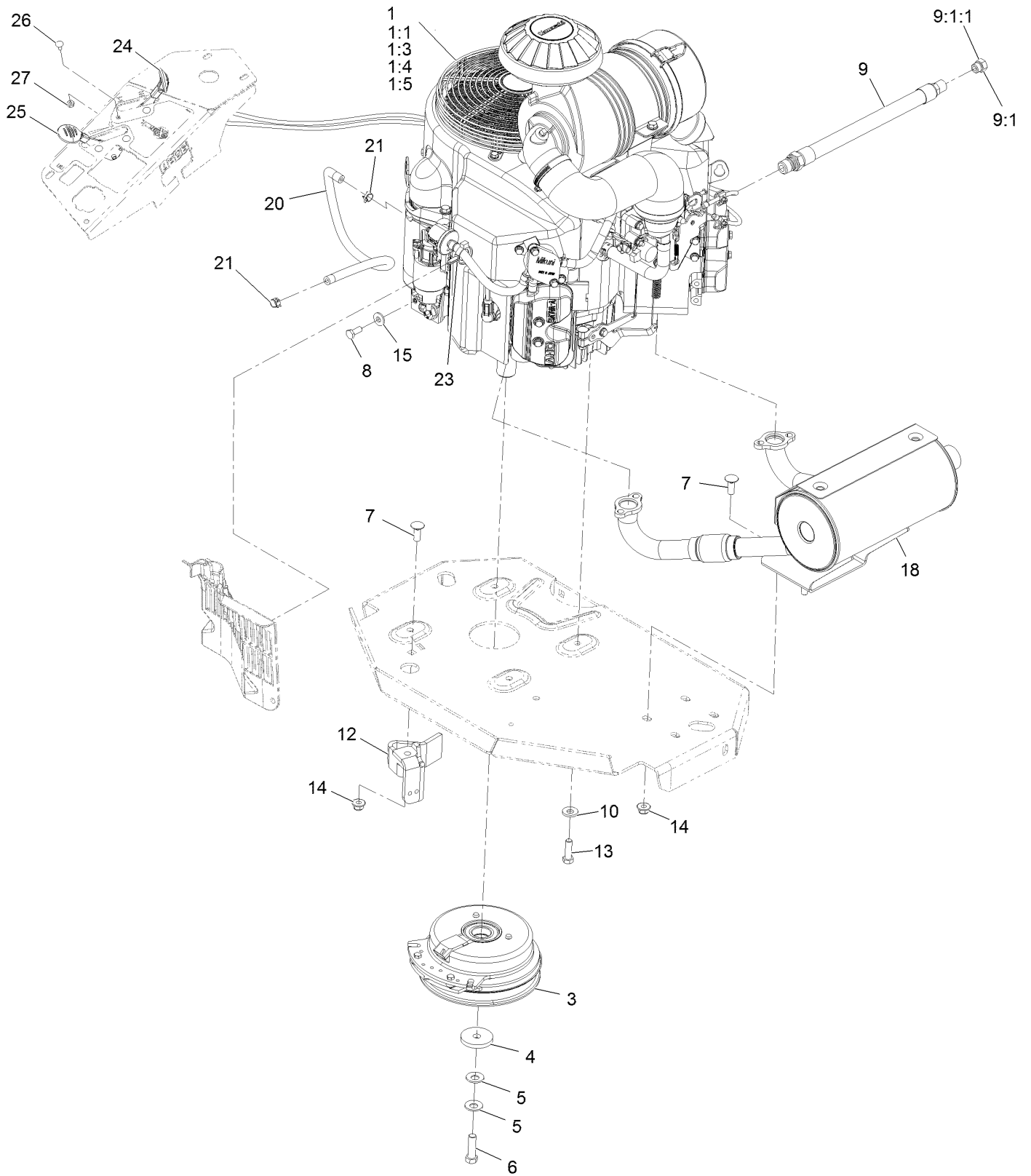




## Fuel Tank Assembly (continued)

<i>Ref.</i>	<i>Part Number</i>	<i>Qty.</i>	<i>Description</i>	<i>Ref.</i>	<i>Part Number</i>	<i>Qty.</i>	<i>Description</i>
2	46-6560	4	Bushing	8:1	46-6560	1	Bushing
3	116-2459	1	Fuel Line Kit (With Grommet)	9	116-2461	1	LH Vent Line Kit (With Grommet)
3:1	46-6560	1	Bushing	9:1	46-6560	1	Bushing
4	3290-500	5	Screw-PPH	10	116-2462	1	Rear Vent Line Kit (With Grommet)
5	3253-17	5	Washer-Lock	10:1	46-6560	1	Bushing
6	126-3913	1	Float-Sender, Fuel	11	1-603770	1	Valve-Fuel
6:1	126-3950	1	Gasket-Sender	12	2412-98	2	Clamp-Hose
7	126-1789	1	Cap-Fuel, Ratcheting	13	109-0650	1	Hose-Fuel
8	116-2460	1	RH Vent Line Kit (With Grommet)				

# Engine Assembly



## Engine Assembly (continued)

<i>Ref.</i>	<i>Part Number</i>	<i>Qty.</i>	<i>Description</i>	<i>Ref.</i>	<i>Part Number</i>	<i>Qty.</i>	<i>Description</i>
1		1	Engine-Kawasaki Fx801V ▲ ◆	9:1	353-508	1	Plug-W/O-Ring ●
1:1		1	Kawasaki 49065-2078 Engine Oil Filter ▲◆	9:1:1	237-42	1	O-Ring
1:3		1	Kawasaki 49019-0031 Fuel Filter ▲◆	10	98-5975	4	Washer-Spring Disc 3/8
1:4		1	Kawasaki 11013-7039 Safety Filter ▲◆	12	116-2612-01	1	Clutch-Anchor
1:5		1	Kawasaki 11013-7038 Air Filter ▲◆	13	323-7	4	Screw-HH 3/8-16 X 1 1/4
3	116-1620	1	Clutch Kit	14	104-8301	5	Nut-Nyloc 3/8-16 Flg
4	109-6919	1	Washer-Clutch	15	1-303334	1	Washer-Spring Disc 5/16
5	1-603610	2	Washer-Spring Disc 7/16	18	135-5500	1	Muffler, Fx850/801 Flex
6	109-9761	1	Screw-HH 7/16-20 X 1 1/2 W/Loctite □	20	109-0298	1	Line-Fuel
7	3231-22	5	Bolt-Carriage 3/8-16 X 1	21	2412-98	2	Clamp-Hose
8	33114-020	1	Screw-HH M8-1.25 X 20Mm	23	105-1853	2	Clamp-Hose
9	116-4924	1	Asm-Hose Oil Drain W/Plug ■	24	109-8167	1	ASM, Choke Cable
				25	116-1972	1	ASM,Throttle Cable
				26	1-807513	4	Bolt-Carriage #10-24 X 1/2
				27	3296-2	4	Nut-Nyloc #10-24

● Torque to 24-26 ft-lb

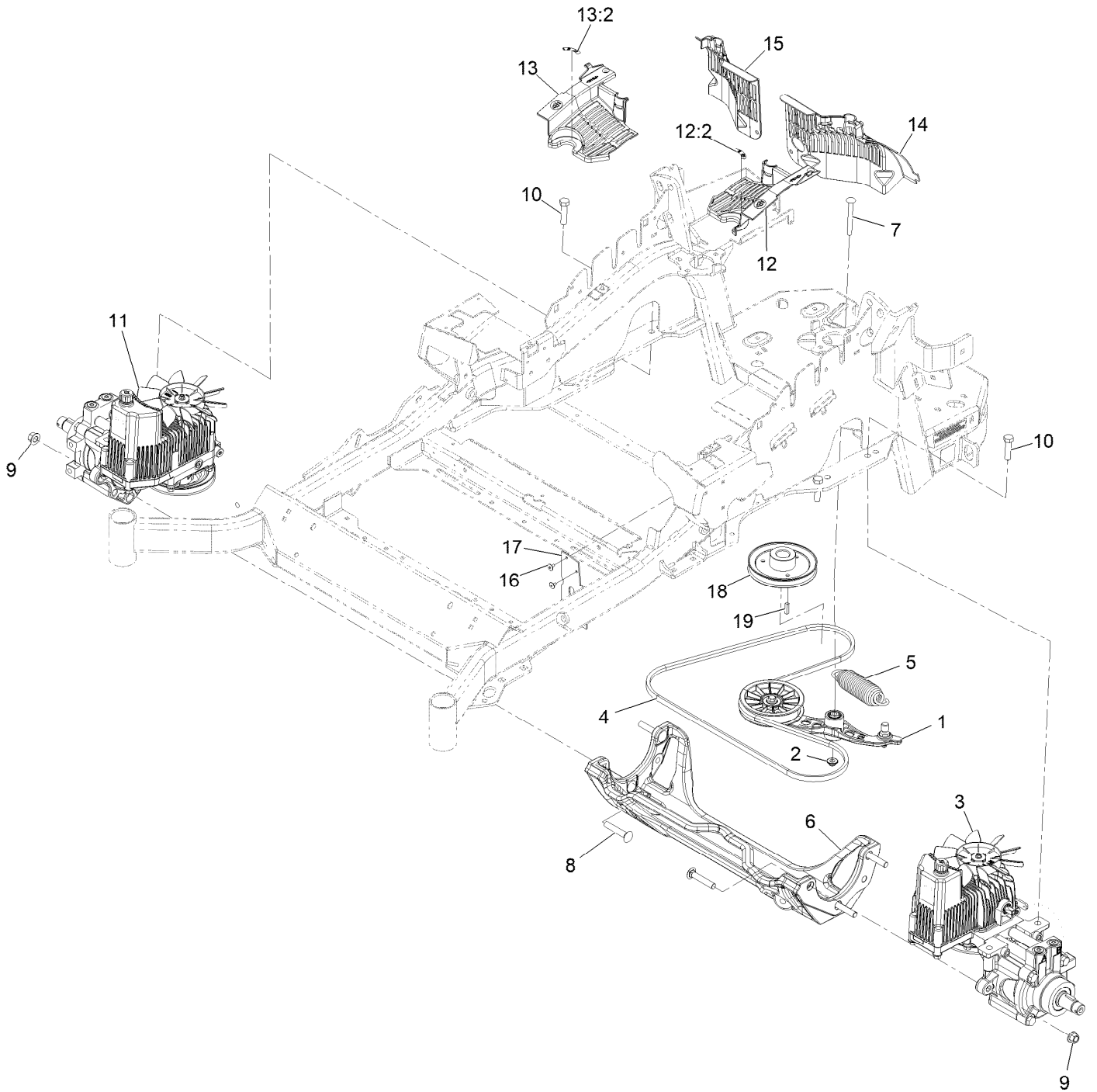
▲ Not serviced separately

□ Use Pro-Lock, Nut Type (P/N 1-840022, .5ml tube) on threads.

■ Torque to 23-29 ft-lb

◆ Obtain parts from [www.kawpower.com](http://www.kawpower.com)

# Hydraulic Assembly

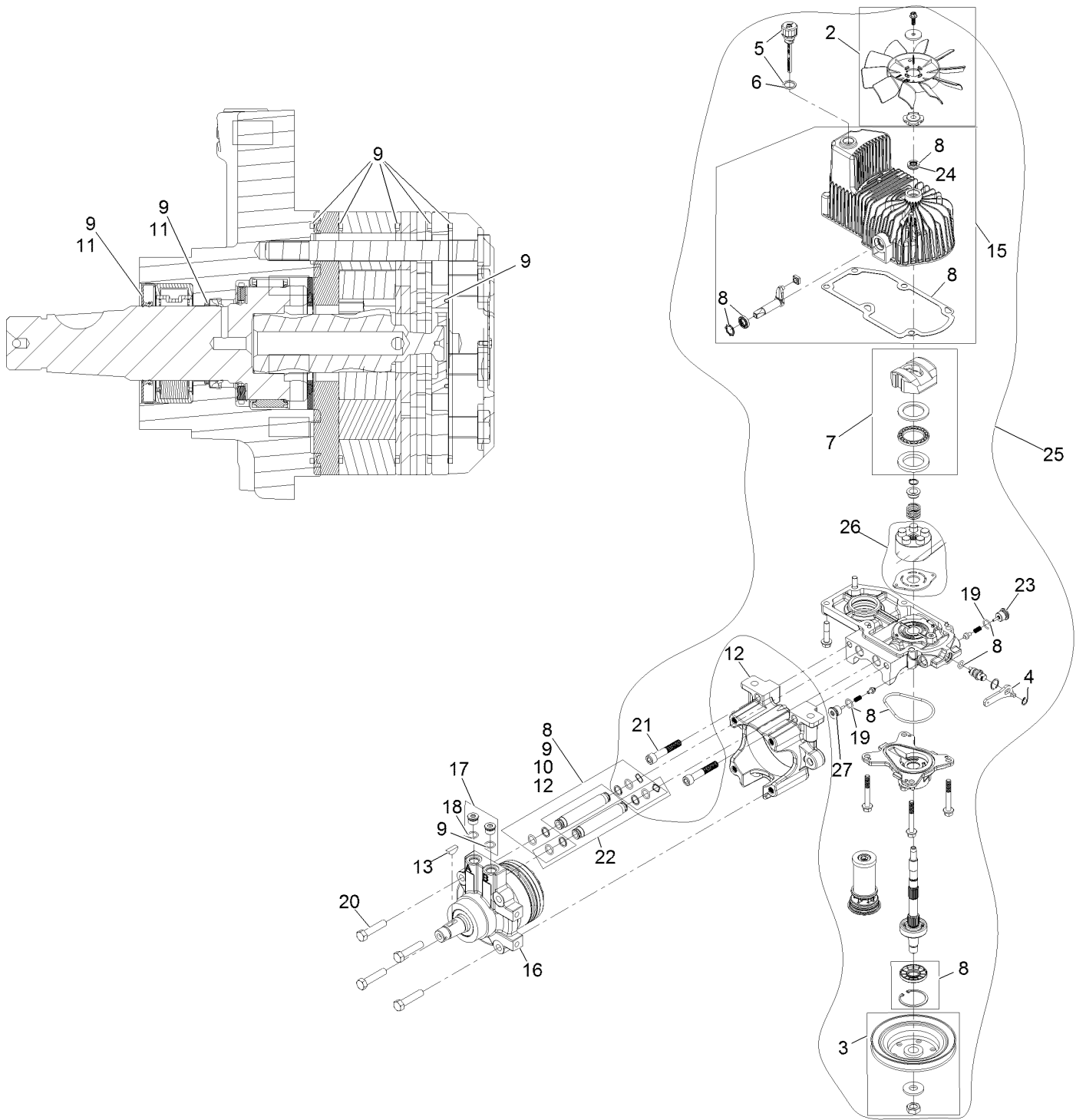


## Hydraulic Assembly (continued)

<i>Ref.</i>	<i>Part Number</i>	<i>Qty.</i>	<i>Description</i>	<i>Ref.</i>	<i>Part Number</i>	<i>Qty.</i>	<i>Description</i>
1	116-1255	1	Pump Idler ASM	13	116-0171	1	RH Hydro Guard ASM
2	109-6658	1	Nut-Nyloc 3/8-16 Flg	13:2	116-8726	1	Decal-Oil, Hydro
3	135-7903	1	Hydro-LH	14	109-9057	1	Guard-Hydro, Rear (LH)
4	126-9835	1	Belt-V	15	109-9058	1	Guard-Hydro, Rear (RH)
5	116-6317	1	Spring-Extension	16	1-803035	2	Rivet 3/16 X 1/4
6	116-7558	1	Cradle-Hydro	17	116-2362	1	Deflector-Air Flow
7	116-1502	1	Bolt-Shoulder, Carriage	18	109-9905	1	Sheave
8	126-0095	6	Screw-CARR	19	1-807259	1	Key-Machine 1/4 X 1/4 X 1
9	99-5107	6	Nut-Lock	99	109-9828	1	Oil-HYD, (Quart) ●
10	325-8	4	Screw-HH	99	116-0164	1	Filter-Hydro ●
11	135-7904	1	Hydro-RH	99	116-1218	1	Oil-HYD, 1 Gallon ●
12	116-0170	1	LH Hydro Guard ASM	99	126-8103	1	Kit, Hydro Service ●
12:2	116-8726	1	Decal-Oil, Hydro				

● Not illustrated

# LH Hydro Assembly No. 135-7903

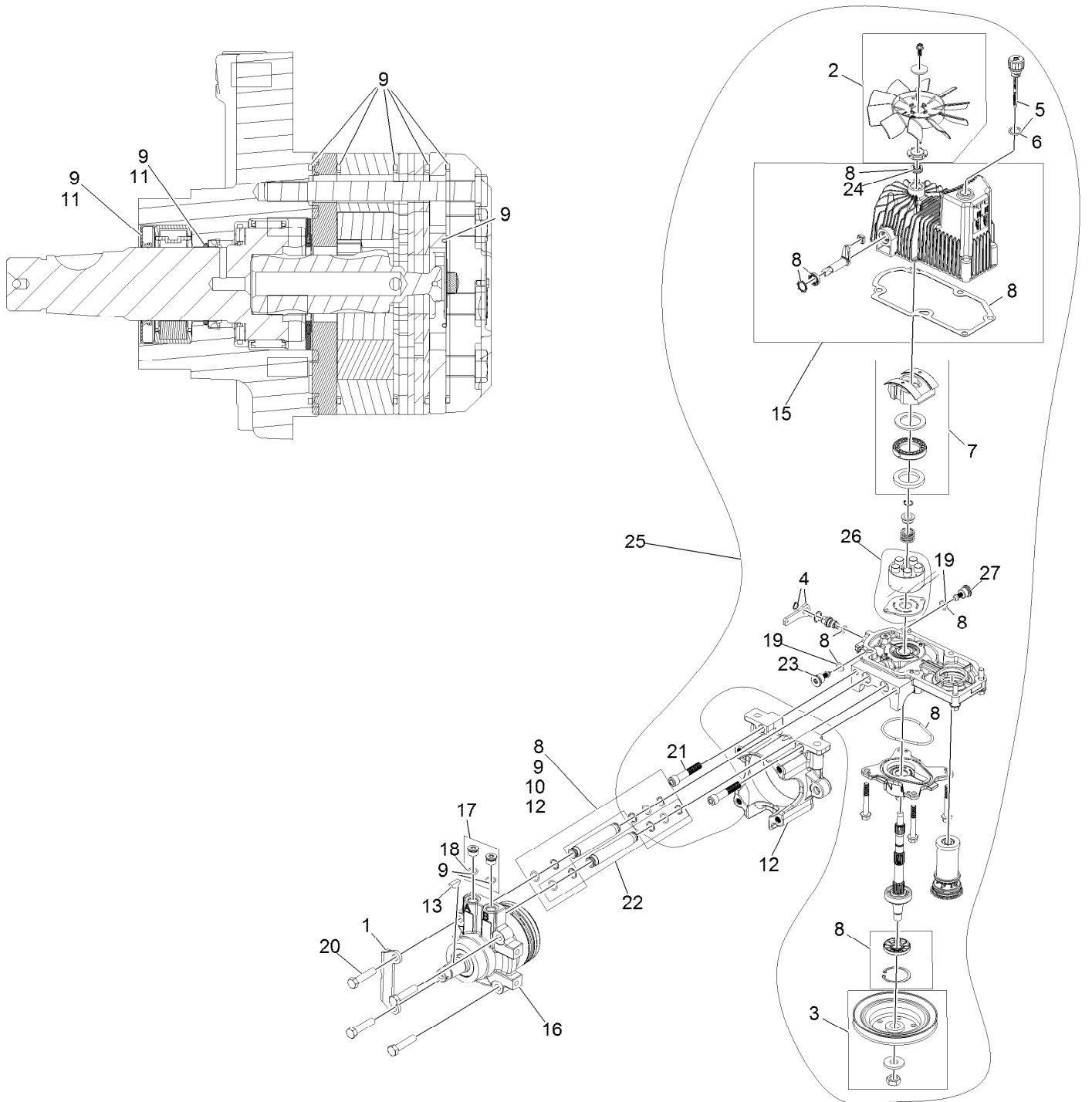


## LH Hydro Assembly No. 135-7903 (continued)

<i>Ref.</i>	<i>Part Number</i>	<i>Qty.</i>	<i>Description</i>	<i>Ref.</i>	<i>Part Number</i>	<i>Qty.</i>	<i>Description</i>
2	142-3603	1	Kit, 7.8 In Fan	17	116-7901	1	Magnetic Plugs Service Kit
3	116-0234	1	Pulley Kit	18	76-1900	2	O-Ring
4	116-0235	1	Handle	19	116-8662	2	O-Ring-Valve, Check
5	116-0236	1	Dipstick	20	116-8974	4	Screw-HH 1/2-20 X 2 1/4
6	116-0237	1	Gasket	21	116-8975	2	Screw-HSH 1/2-20 X 2 3/4
7	116-1367	1	Swash Block Kit	22	116-9922	2	Hydraulic Tube Kit
8	142-3604	1	Kit, Pump Seal	23	126-7466	1	Valve-Shock
9	116-1369	1	Motor Seal Kit	24	126-7711	1	Seal-Drive, Fan
10	116-1370	1	Tube Seal Kit	25	142-3609	1	Kit, Pump Section 12Cc LH
11	116-1371	1	Output Shaft Seal Kit	26	142-4500	1	Kit - 12Cc Port Plate, Rotate Grp
12	116-5469	1	Cup-Nose	27	142-4459	1	Shock Valve Orificed 3800
13	3257-42	1	Key-Woodruff 5/16 X 1	99	116-1373	1	Flow Test Kit ●
15	142-4460	1	Kit, Housing-Hydro LH	99	116-4245	1	Puller-Pulley ●
16	116-8915	1	Motor-Hydraulic				

● Not illustrated

# RH Hydro Assembly No. 135-7904



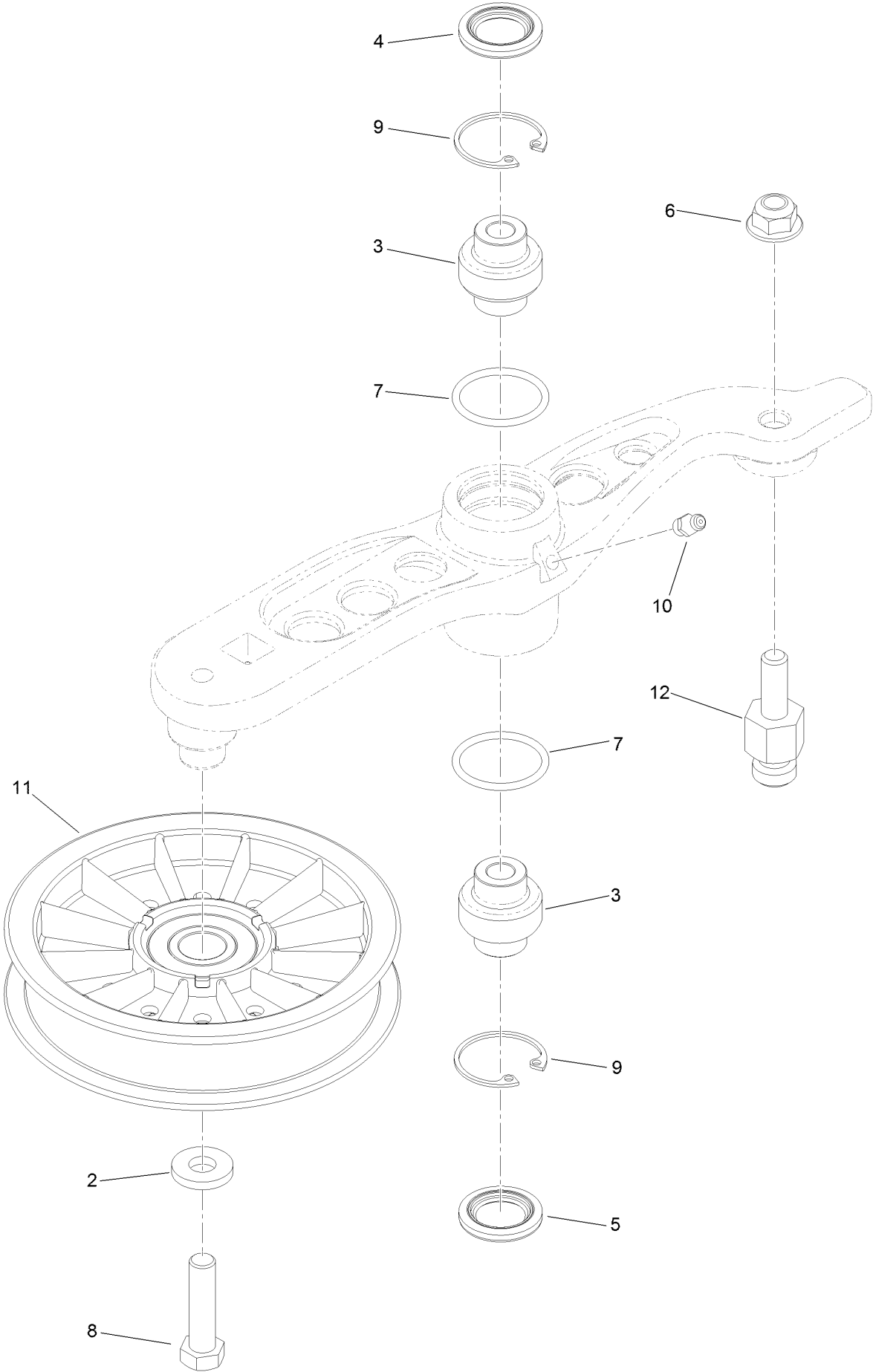


## RH Hydro Assembly No. 135-7904 (continued)

<i>Ref.</i>	<i>Part Number</i>	<i>Qty.</i>	<i>Description</i>	<i>Ref.</i>	<i>Part Number</i>	<i>Qty.</i>	<i>Description</i>
1	135-7827	1	Plate, Horse Shoe Mount	17	116-7901	1	Magnetic Plugs Service Kit
2	142-3603	1	Kit, 7.8 In Fan	18	76-1900	2	O-Ring
3	116-0234	1	Pulley Kit	19	116-8662	2	O-Ring-Valve, Check
4	116-0235	1	Handle	20	116-8974	4	Screw-HH 1/2-20 X 2 1/4
5	116-0236	1	Dipstick	21	116-8975	2	Screw-HSH 1/2-20 X 2 3/4
6	116-0237	1	Gasket	22	116-9922	2	Hydraulic Tube Kit
7	116-1367	1	Swash Block Kit	23	126-7466	1	Valve-Shock
8	142-3604	1	Kit, Pump Seal	24	126-7711	1	Seal-Drive, Fan
9	116-1369	1	Motor Seal Kit	25	142-3608	1	Kit, Pump Section 12Cc RH
10	116-1370	1	Tube Seal Kit	26	142-4500	1	Kit - 12Cc Port Plate, Rotate Grp
11	116-1371	1	Output Shaft Seal Kit				
12	116-5469	1	Cup-Nose	27	142-4459	1	Shock Valve Orificed 3800
13	3257-42	1	Key-Woodruff 5/16 X 1	99	116-1373	1	Flow Test Kit ●
15	142-4461	1	Kit, Housing-Hydro RH	99	116-4245	1	Puller-Pulley ●
16	116-8916	1	Motor-Hydraulic RH 240Cc				

● Not illustrated

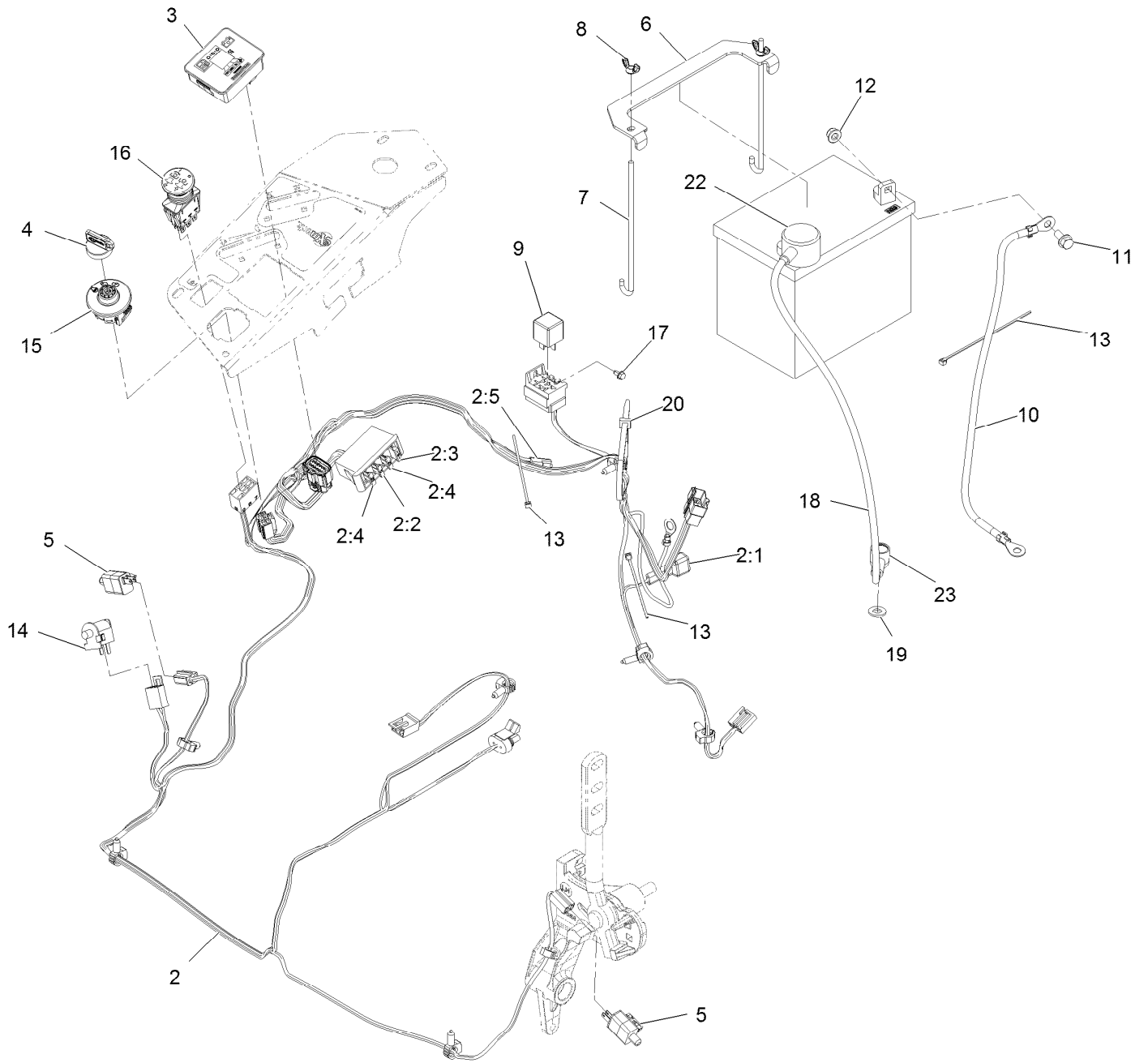
# Pump Idler Assembly No. 116-1255



## Pump Idler Assembly No. 116-1255 (continued)

<i>Ref.</i>	<i>Part Number</i>	<i>Qty.</i>	<i>Description</i>	<i>Ref.</i>	<i>Part Number</i>	<i>Qty.</i>	<i>Description</i>
2	43-0940	1	Spacer	8	323-8	1	Screw-HH
3	103-3504	2	Bearing-Spherical	9	32120-10	2	Ring-Snap
4	103-3505	1	Seal-Lip, Double	10	302-19	1	Fitting-Grease
5	103-3506	1	Seal-Lip, Single	11	109-8076	1	Pulley-Idler
6	109-6658	1	Nut-Flange, NI	12	132-4724	1	Pin-Anchor, Spring
7	106-7159	2	O-Ring				

# Electrical Assembly



## Electrical Assembly (continued)

<i>Ref.</i>	<i>Part Number</i>	<i>Qty.</i>	<i>Description</i>	<i>Ref.</i>	<i>Part Number</i>	<i>Qty.</i>	<i>Description</i>
2	116-6009	1	Harness-Wire, Main ●	10	114-1218	1	Cable-Battery, Negative
2:1	103-3895	1	Diode	11	3234-5	2	Screw-HHF
2:2	218-578	1	Fuse-Blade, 10 Amp	12	104-8300	2	Nut-HF, NI
2:3	109355	1	Fuse-Blade, 15 Amp	13	1-303287	3	Tie-Cable
2:4	109102	2	Fuse-Blade, 25 Amp	14	82-2190	1	Switch-Bail
2:5	116-0053	1	Cap-Plug	15	137-4100	1	Switch-Ignition
3	117-3882	1	Fuel/Hour Meter ASM	16	116-0124	1	Switch-PTO, 10 Amp
4	1-603511	1	Keys-Ignition (Spare Pair)	17	104-2065	1	Screw-HWH
4	103-2106	1	Key,Exmark Logo	18	115-3864	1	Cable-Battery, Positive
5	110-6765	2	Switch	19	3256-24	1	Washer-Flat
6	116-0042-03	1	Strap-Tie Down, Battery	20	3290-378	1	Tie-Cable
7	1-633651	2	Bolt-Holddown	22	109-2407	1	Insulator-Battery
8	1-543792	2	Wingnut	23	1-543393	1	Insulator-Solenoid
9	1-643275	1	Relay				

● Use dielectric grease on all unsealed connectors and terminals only. Do not apply in sealed connectors.

**Notes:**



# MAXIMIZE THE PERFORMANCE OF YOUR EXMARK MACHINE.



## EXMARK® PREMIUM ENGINE OIL

Exmark now offers a family of engine oil viscosities to perform well in any environment. Each viscosity has the same synthetic formulation to give you what you need in punishing conditions. We designed each grade to the highest quality, making it ideal even for diesel applications. Coupled with Exmark Premium Fuel Treatment, we have the performance products to make your machine hum.

### EXMARK PREMIUM ENGINE OIL SAE 30/10W-30

- Meets zero shear requirements of a straight grade SAE 30 as well as the cold temp properties of a 10W-30.
- Most versatile oil in the industry.
- Superior corrosion protection over conventional oil - even in corrosive, humid environments.

### EXMARK PREMIUM ENGINE OIL SAE 20W-50

- Perfect for your big block engine, or any application in severe service.
- Same full synthetic formulation as all other Exmark Premium viscosities.
- Also effective for use in severe service small block engines.

### EXMARK PREMIUM ENGINE OIL SAE 10W-50

- Full synthetic formulation gives you peak performance. Don't settle for less.
- Wide span multi-grade combines easy starting in cold weather with maximum protection in high temperature operation.
- Reduce friction & wear over standard mineral formulations.

### EXMARK PREMIUM ENGINE OIL SAE 0W-40

- The perfect choice for when the weather turns cold or unpredictable, and your Exmark UTV has to perform.
- Commercial quality for severe service.
- Advanced additive package helps prevent corrosion from long-term storage.

### EXMARK PREMIUM ENGINE OIL UTV FORMULATION

- 4-cycle high-temp formulation.
- Heavier viscosity, full synthetic, perfect for your UTV.

### EXMARK PREMIUM UTV EXTREME CONDITIONS GEAR OIL

- SAE 80W-90, designed to keep your UTV performing at its peak.
- Shear stable, hypoid gear lube.
- Includes a premium additive system to combat wear, oxidation, rust & corrosion.

**Available from your local Exmark dealer. Find your closest dealer at [exmark.com](http://exmark.com)**

## EXMARK ACCESSORIES AND OPTIONS\*

### MID-MOUNT RIDING ACCESSORIES AND OPTIONS

CUSTOM RIDE SEAT SUSPENSION SYSTEM	OPERATOR CONTROLLED DISCHARGE
FULL SUSPENSION SEAT	SUN SHADE
DECK LIFT ASSIST KIT	TRASH CONTAINER
HITCH KIT	TURF STRIPER
LIGHT KIT	ULTRA VAC COLLECTION SYSTEM
12V POWER PORT	ULTRA VAC QUICK DISPOSAL SYSTEM
MICRO-MULCH SYSTEM	

### OUT-FRONT RIDING ACCESSORIES AND OPTIONS

CUSTOM RIDE SEAT SUSPENSION SYSTEM	SNOW BLADE
DUAL-TAIL WHEEL	SNOWBLOWER
FLOOR PAN EXTENDER	SUN SHADE
HITCH KIT	TRASH CONTAINER
LIGHT KIT	ULTRA VAC COLLECTION SYSTEM
MICRO-MULCH SYSTEM	ULTRA VAC QUICK DISPOSAL SYSTEM
ROLL OVER PROTECTION SYSTEM (ROPS)	WEATHER CAB

### WALK-BEHIND ACCESSORIES AND OPTIONS

GRASS CATCHER	TURF STRIPER
MICRO-MULCH SYSTEM	STANDON

\*Some accessories and options not available for some models.

Place Model No. and Serial No.  
Label Here (Included in the Literature  
Pack) or Fill in Below

Model No. \_\_\_\_\_

Serial No. \_\_\_\_\_

Date Purchased \_\_\_\_\_

Engine Model No. and Spec. No. \_\_\_\_\_

Engine Serial No. (E/No) \_\_\_\_\_

© 2020 Exmark Mfg. Co., Inc.  
415 Industrial Row  
Beatrice, NE 68310  
All Rights Reserved

Part No. 4505-257 Rev. A  
(402) 223-6375  
Fax (402) 223-5489  
Printed in the USA.

