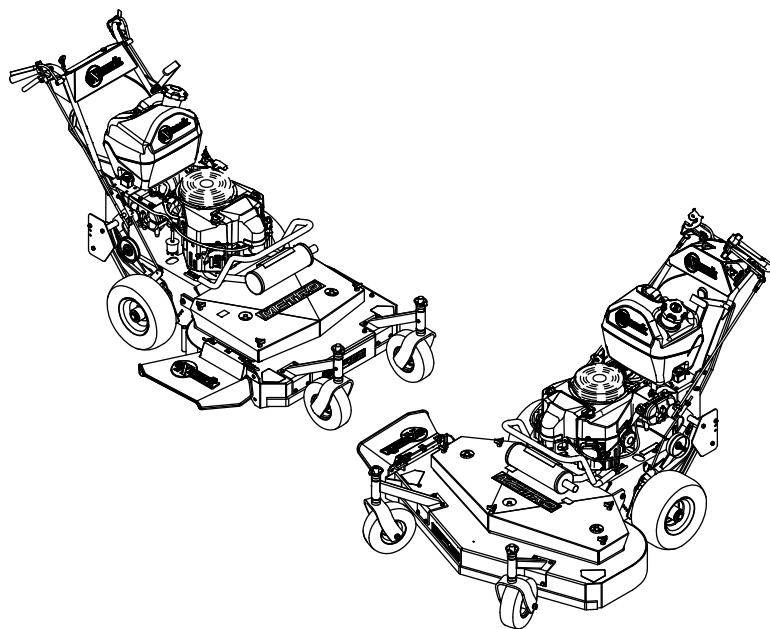




METRO®

Model No. MGS481CKA48300—Serial No. 408644346 and Up

Picture below may not reflect actual product.



Parts Manual

Part No. 4505-181 Rev. A

Ordering Replacement Parts

To order replacement parts, please supply the part number, the quantity, and the description of each part desired.

Understanding Reference Numbers

Each identified part in an illustration has a reference number. The reference number for a part also appears in the parts list, along with other information about the part.

This catalog uses two special reference number formats, one to indicate parts in a service assembly and another to indicate the quantity of a given part in an illustration.

Service Assembly Reference Numbers

Parts in service assemblies have reference numbers in the form a:b. The a represents the reference number of the entire service assembly and the b represents a sequential number unique to each part within the service assembly.

For example, a wheel assembly might be identified by reference number 6, the tire by 6:1, the valve by 6:2, and the wheel by 6:3. When you order the assembly identified by reference number 6, you receive all parts identified by reference numbers 6:1, 6:2, and 6:3. However, you may also order any part individually. Reference numbers of this type appear in illustration and in parts lists.

Reference Numbers Indicating Quantity

In an illustration, if a reference number indicates more than one part, the reference number has the form nX y. The n represents the quantity of the part, the X is the multiplication symbol, and the y represents the reference number.

For example, in an illustration, the reference number 2X 37 means that two of the parts identified by reference number 37 are indicated.

Touch Up Paint

Exmark black touch up spray paint – gloss black.

Exmark red touch up paint (spray paint – P/N 1-850337 - .6 oz liquid bottle – P/N 103-9140).

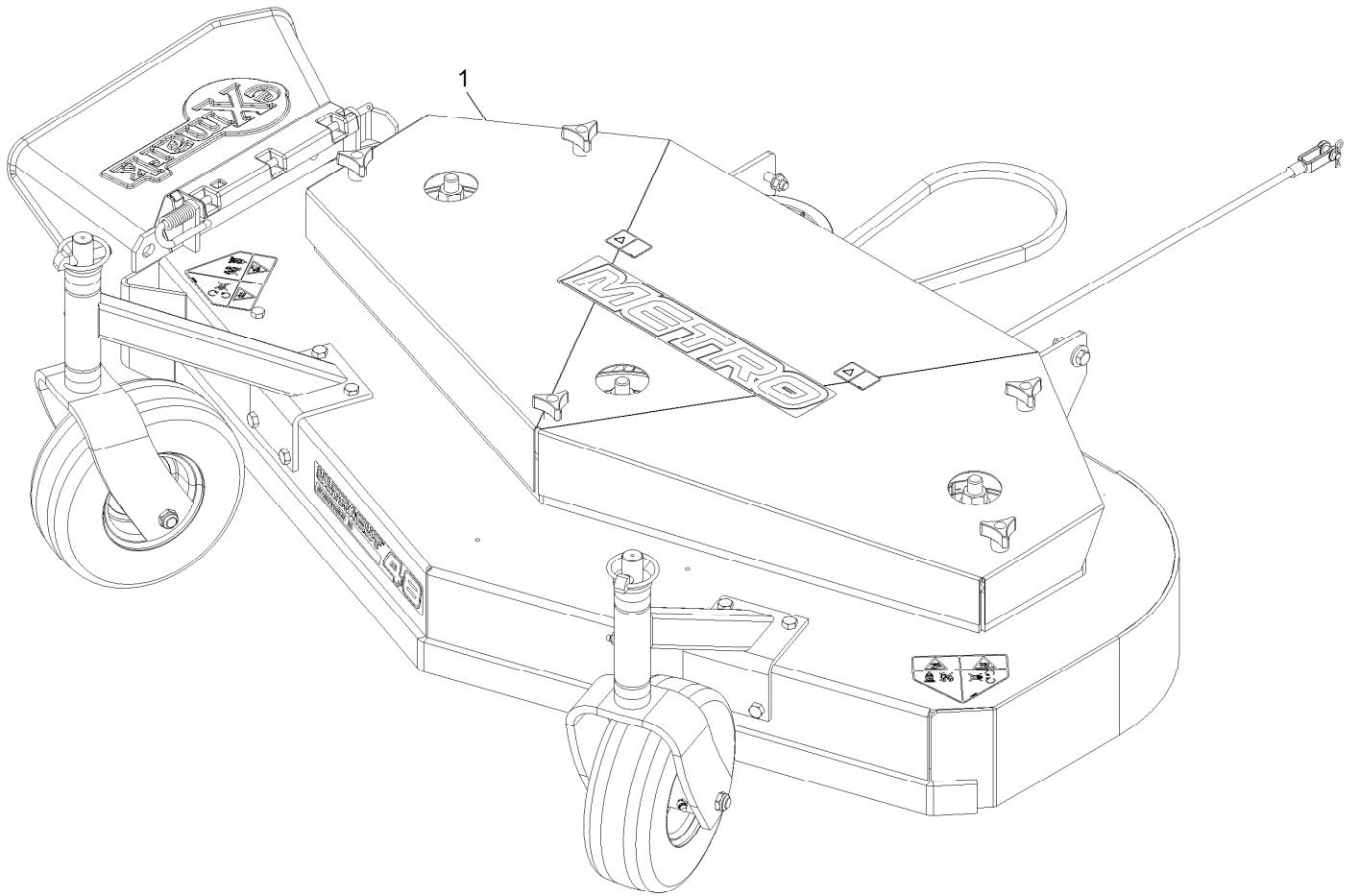


If your Exmark dealer does not have the Exmark part in stock, Exmark will get the parts to the dealer the next business day or the part will be FREE Guaranteed!! (Some restrictions apply. See your participating Exmark Dealer for details.)

Contents

| | |
|--|----|
| Complete Deck Assembly..... | 4 |
| Deck Assembly..... | 6 |
| Deck W/Decals Assembly..... | 8 |
| Caster Mount W/Weight Assembly No. 116-8245..... | 10 |
| Caster Wheel Support W/Bearings 103-2296..... | 12 |
| Caster Wheel Assembly No. 103-1236..... | 14 |
| Engine Deck W/Transmission..... | 16 |
| Engine Deck W/Decals Assembly..... | 18 |
| Wheel and Tire Assembly..... | 20 |
| Engine Deck W/Transmission (cont.)..... | 22 |
| Engine Assembly..... | 24 |
| ECS Upper Handle and Controls..... | 26 |
| Console W/Decals Assembly..... | 28 |
| Electrical Assembly..... | 30 |
| Fuel Tank Assembly..... | 32 |

Complete Deck Assembly

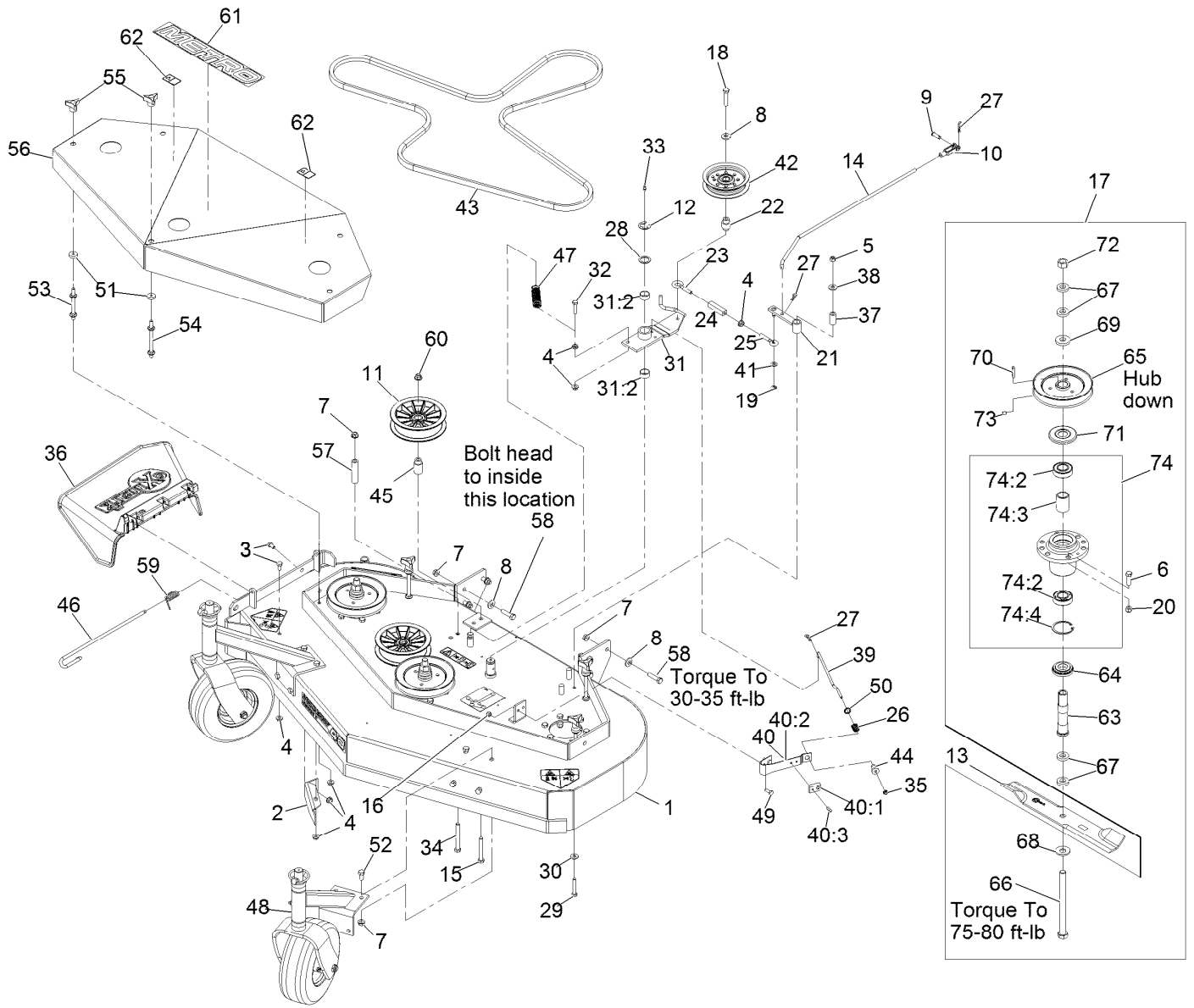


Complete Deck Assembly (continued)

| <i>Ref.</i> | <i>Part Number</i> | <i>Qty.</i> | <i>Description</i> |
|-------------|--------------------|-------------|--------------------|
| 1 | | 1 | Deck ASM-48 ● |

● Not serviced separately

Deck Assembly



Deck Assembly (continued)

| Ref. | Part Number | Qty. | Description | Ref. | Part Number | Qty. | Description |
|------|-------------|------|---------------------------------|------|-------------|------|----------------------------------|
| 1 | 1-404257 | 1 | Deck W/Decals And Dogleg | 40 | 1-324372 | 1 | Pad And Spring ASM |
| 2 | 116-1729-01 | 1 | Baffle-Dogleg | 40:1 | 1-323709 | 1 | Pad-Brake ● |
| 3 | 322-2 | 3 | Screw-HH 5/16-18 X 5/8 | 40:2 | 1-323710 | 1 | Spring ● |
| 4 | 32128-20 | 11 | Nut-Whizlock 5/16-18 | 40:3 | 103-0138 | 2 | Rivet 3/16 X 1/2 ● |
| 5 | 3296-29 | 1 | Nut-Nyloc 5/16-18 | 41 | 3256-23 | 1 | Washer-5/16 SAE |
| 6 | 323-7 | 18 | Screw-HH 3/8-16 X 1 1/4 | 42 | 116-3626 | 1 | Pulley-Idler |
| 7 | 3290-357 | 8 | Nut-Whizlock 3/8-16 | 43 | 1-403174 | 1 | Drive Belt (Main Deck) 48" |
| 8 | 98-5975 | 12 | Washer-Spring Disc 3/8 | 44 | 1-323746 | 1 | Spacer-Flanged |
| 9 | 1-808280 | 1 | Pin-Clevis 5/16 X 1 49/64 | 45 | 1-413113 | 2 | Bushing-Idler |
| 10 | 1-303105 | 1 | Yoke-Adjustable | 46 | 109-8854 | 1 | Pin-Chute |
| 11 | 109-0977 | 2 | Pulley,Idler 5" | 47 | 1-323071 | 1 | Spring-Extension |
| 12 | 32151-103 | 1 | E-Ring | 48 | 116-8245 | 2 | ASM-Caster Mnt W/Weight |
| 13 | 103-1577 | 3 | Blade, 16.25 Solid ■ | 49 | 321-4 | 2 | Screw-HH 1/4-20 X 3/4 |
| 13 | 103-6581 | 3 | Blade, 16.25 Mulching □ | 50 | 1-323748 | 1 | Ring-Push On |
| 13 | 103-6583 | 3 | Blade, 16.25 Notched | 51 | 1-323417 | 5 | Washer-Belt Shield |
| 13 | 103-6738 | 3 | Blade,Low Lift 16.25 ■ | 52 | 323-4 | 8 | Screw-HH 3/8-16 X 3/4 |
| 13 | 116-5178 | 3 | Blade-Extreme 2, 16.25" ■ | 53 | 1-303537 | 2 | Stud-Shield, Belt (Short) |
| 14 | 1-323303 | 1 | Arm-Assist, Linkage | 54 | 1-303536 | 3 | Stud-Shield, Belt (Long) |
| 15 | 323-13 | 2 | Screw-HH 3/8-16 X 2 3/4 | 55 | 1-323385 | 5 | Knob-3 Prong |
| 16 | 3296-42 | 2 | Nut-Nyloc 1/4-20 | 56 | 116-2707 | 1 | ASM,Shield W/Decals 48 Metro |
| 17 | 103-8387 | 3 | Asm, Cutter Housing Complete | 57 | 1-403188 | 1 | Spacer |
| 18 | 702809 | 1 | Screw-HH | 58 | 323-8 | 8 | Screw-HH 3/8-16 X 1 1/2 |
| 19 | 32120-35 | 1 | E-Ring | 59 | 116-0962 | 1 | Spring, Torsion |
| 20 | 3296-39 | 18 | Nut-Nyloc 3/8-16 | 60 | 104-8301 | 2 | Nut-Nyloc 3/8-16 Flg |
| 21 | 1-322235 | 1 | Arm-Assist, 32/36 | 61 | 126-6890 | 1 | Decal-Metro |
| 22 | 1-303434 | 1 | Bushing-Engagement | 62 | 106-5517 | 2 | Decal-Warning |
| 23 | 1-303348 | 1 | Eyebolt-Thread, LH | 63 | 1-323529 | 3 | Tube-Spindle, Short ○ |
| 24 | 1-303236 | 1 | Body-Turnbuckle | 64 | 103-2535 | 3 | Spacer-Guard Bottom |
| 25 | 1-303238 | 1 | Eyebolt-Thread, RH | 65 | 1-403183 | 3 | Sheave ○ |
| 26 | 1-323747 | 1 | Spring-Compression | 66 | 1-800861 | 3 | Screw-Cap, HH |
| 27 | 1-806003 | 3 | Hairpin-Cotter | 67 | 1-323539 | 12 | Spacer-Blade Drive |
| 28 | 1-303352 | 1 | Washer-Spindle | 68 | 1-513208 | 3 | Washer-Spring Disc 5/8 |
| 29 | 322-10 | 1 | Screw-HH 5/16-18 X 2 | 69 | 1-323339 | 3 | Washer |
| 30 | 1-303334 | 1 | Washer-Spring Disc 5/16 | 70 | 1-807267 | 3 | Key-Machine 1/4 X 3/16 X 1 1/4 |
| 31 | 103-3600 | 1 | Idler Arm ASM | 71 | 103-1330 | 3 | Guard-Bearing Top ○ |
| 31:2 | 1-323729 | 2 | Sleeve-Bearing | 72 | 3219-6 | 3 | Nut-Hex 5/8-18 |
| 32 | 116-3515 | 1 | Screw,HH Special 5/16-18 X 1.25 | 73 | 3246-18 | 3 | Setscrew-5/16-18 X 3/8 ◆ |
| 33 | 302-19 | 1 | Zerk-1/4-28 Str | 74 | | 3 | Cutter Housing ASM ▲ |
| 34 | 323-20 | 1 | Screw-HH 3/8-16 X 3-1/4 | 74 | 103-8280 | 3 | Asm, Cutter Housing W/Bearings ○ |
| 35 | 3296-56 | 1 | Nut-Nyloc 1/4-20 Thin | 74:2 | 103-2477 | 2 | Bearing-Jackshaft |
| 36 | 109-5151 | 1 | Deflector-Discharge | 74:3 | 103-2534 | 1 | Spacer-Bearing |
| 37 | 1-403179 | 1 | Tube-Pivot | 74:4 | 32120-8 | 1 | Ring-Retaining |
| 38 | 3256-3 | 1 | Washer-5/16 Std | | | | |
| 39 | 1-323714 | 1 | Rod-Brake | | | | |

● Not illustrated

▲ Not serviced separately

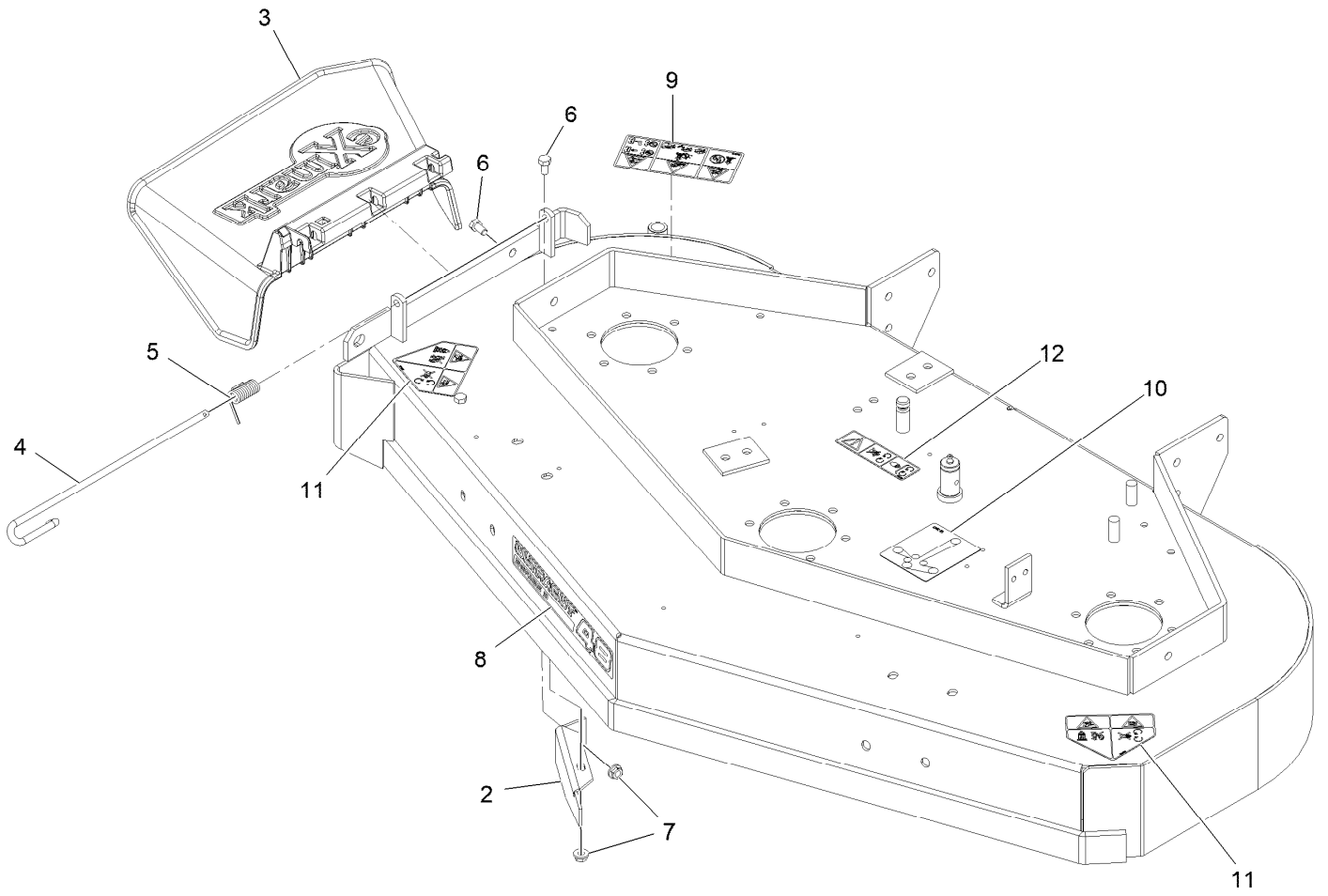
◆ Use Pro-Lock, Nut Type (P/N 1-840022, .5ml tube) on threads.

□ Requires installation of mulch kit for proper mulching. See your Exmark dealer for details.

○ Apply Mobil HTS grease (P/N 103-5217 1.5 oz packet) (or a food-grade anti-seize). See operator s manual for locations.

■ Optional Equipment

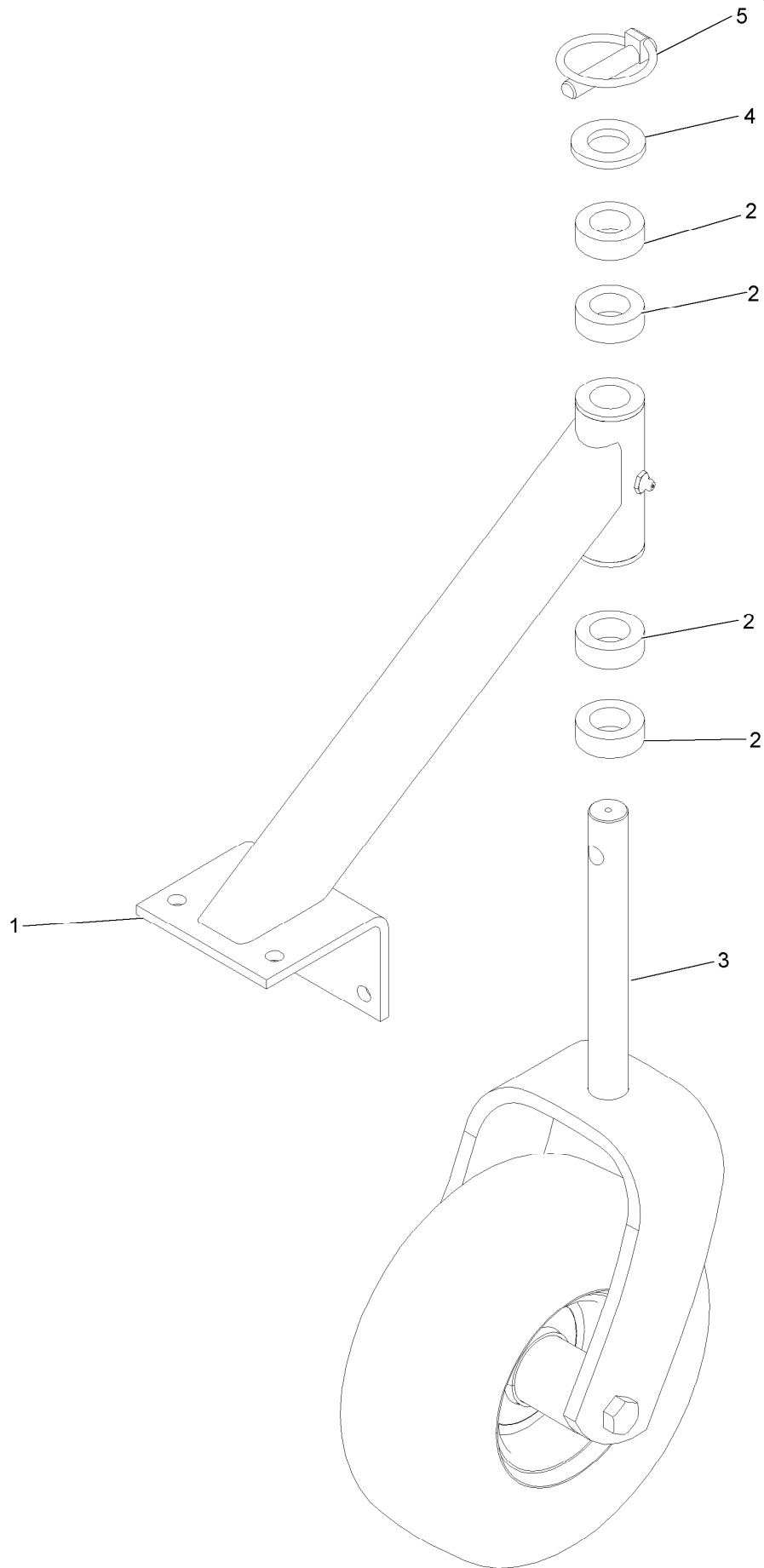
Deck W/Decals Assembly



Deck W/Decals Assembly (continued)

| <i>Ref.</i> | <i>Part Number</i> | <i>Qty.</i> | <i>Description</i> | <i>Ref.</i> | <i>Part Number</i> | <i>Qty.</i> | <i>Description</i> |
|-------------|--------------------|-------------|------------------------|-------------|--------------------|-------------|----------------------------|
| 2 | 116-1729-01 | 1 | Baffle-Dogleg | 8 | 126-6746 | 1 | Decal-Ultracut 48 Series 3 |
| 3 | 109-5151 | 1 | Deflector-Discharge | 9 | 135-5210 | 1 | Decal-Warning Thrown Obj |
| 4 | 109-8854 | 1 | Pin-Chute | 10 | 99-3943 | 1 | Decal-Routing, Belt |
| 5 | 116-0962 | 1 | Spring, Torsion | 11 | 112-8760 | 2 | Decal-Danger |
| 6 | 322-2 | 3 | Screw-HH 5/16-18 X 5/8 | 12 | 112-9028 | 1 | Decal-Cover, Missing |
| 7 | 32128-20 | 3 | Nut-Whizlock 5/16-18 | | | | |

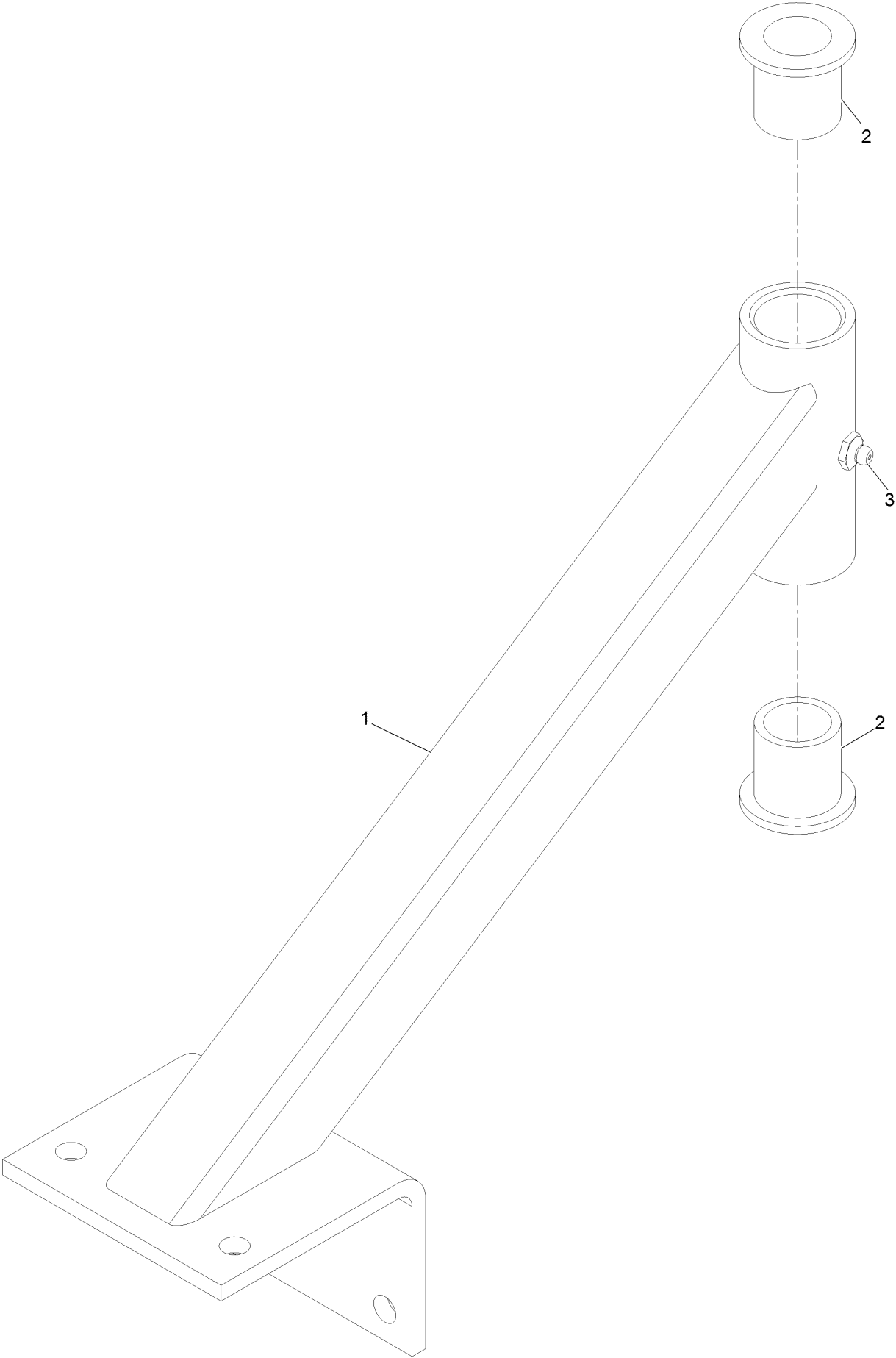
Caster Mount W/Weight Assembly No. 116-8245



Caster Mount W/Weight Assembly No. 116-8245 (continued)

| <i>Ref.</i> | <i>Part Number</i> | <i>Qty.</i> | <i>Description</i> | <i>Ref.</i> | <i>Part Number</i> | <i>Qty.</i> | <i>Description</i> |
|-------------|--------------------|-------------|--|-------------|--------------------|-------------|-----------------------|
| 1 | 103-2296 | 1 | Caster Whl Support W/Bearings, Weighted | 3 | 103-1236 | 1 | Caster Wheel Assembly |
| 2 | 1-303314 | 4 | Spacer-Caster | 4 | 1-513338 | 1 | Washer |
| | | | | 5 | 1-809020 | 1 | Pin |

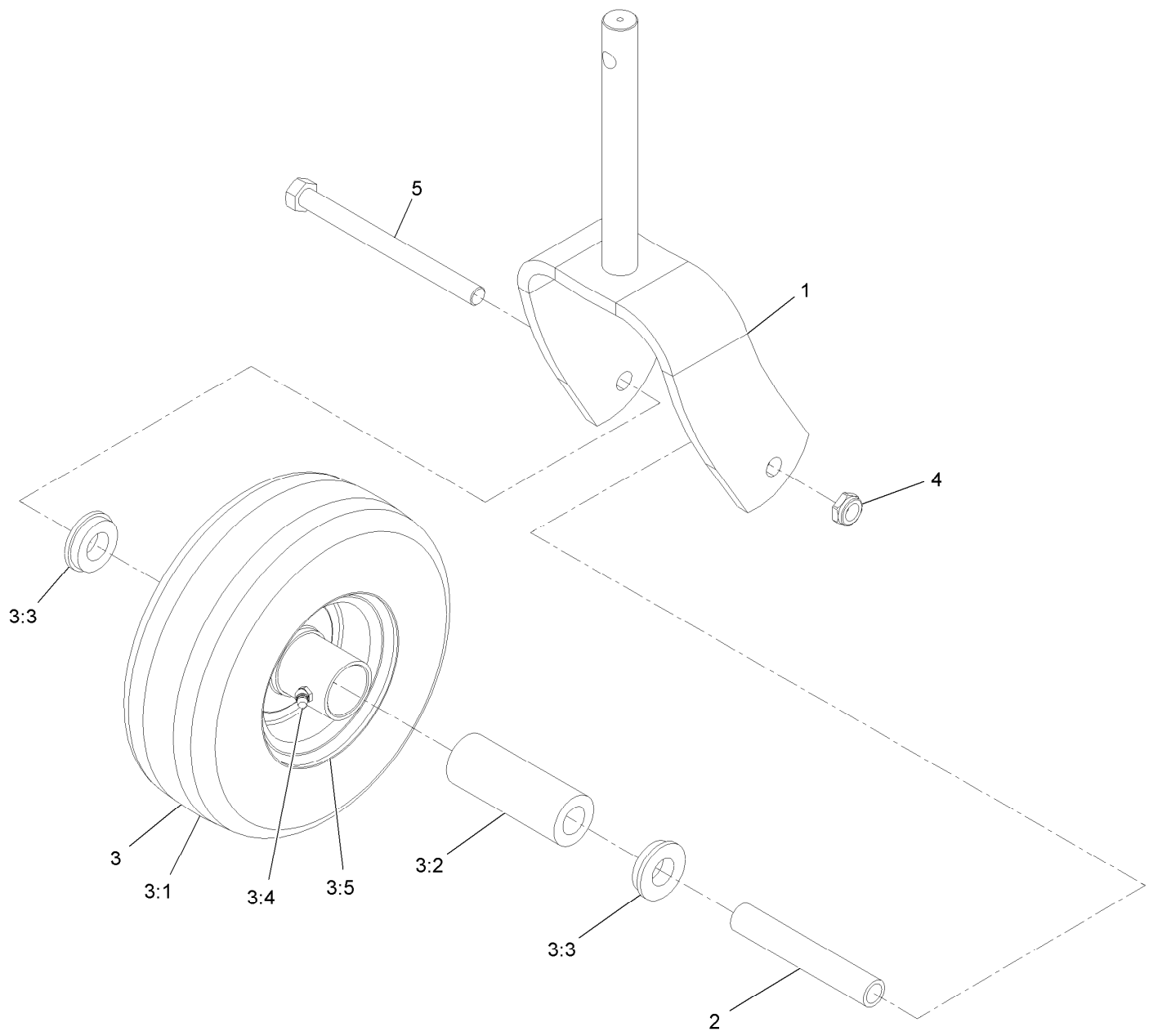
Caster Wheel Support W/Bearings 103-2296



Caster Wheel Support W/Bearings 103-2296 (continued)

| <i>Ref.</i> | <i>Part Number</i> | <i>Qty.</i> | <i>Description</i> |
|-------------|--------------------|-------------|--|
| 1 | 103-2297-01 | 1 | Caster Whl Support Wldmnt, Weighted |
| 2 | 1-303514 | 2 | Bearing-Flanged |
| 3 | 302-52 | 1 | Fitting-Grease |

Caster Wheel Assembly No. 103-1236

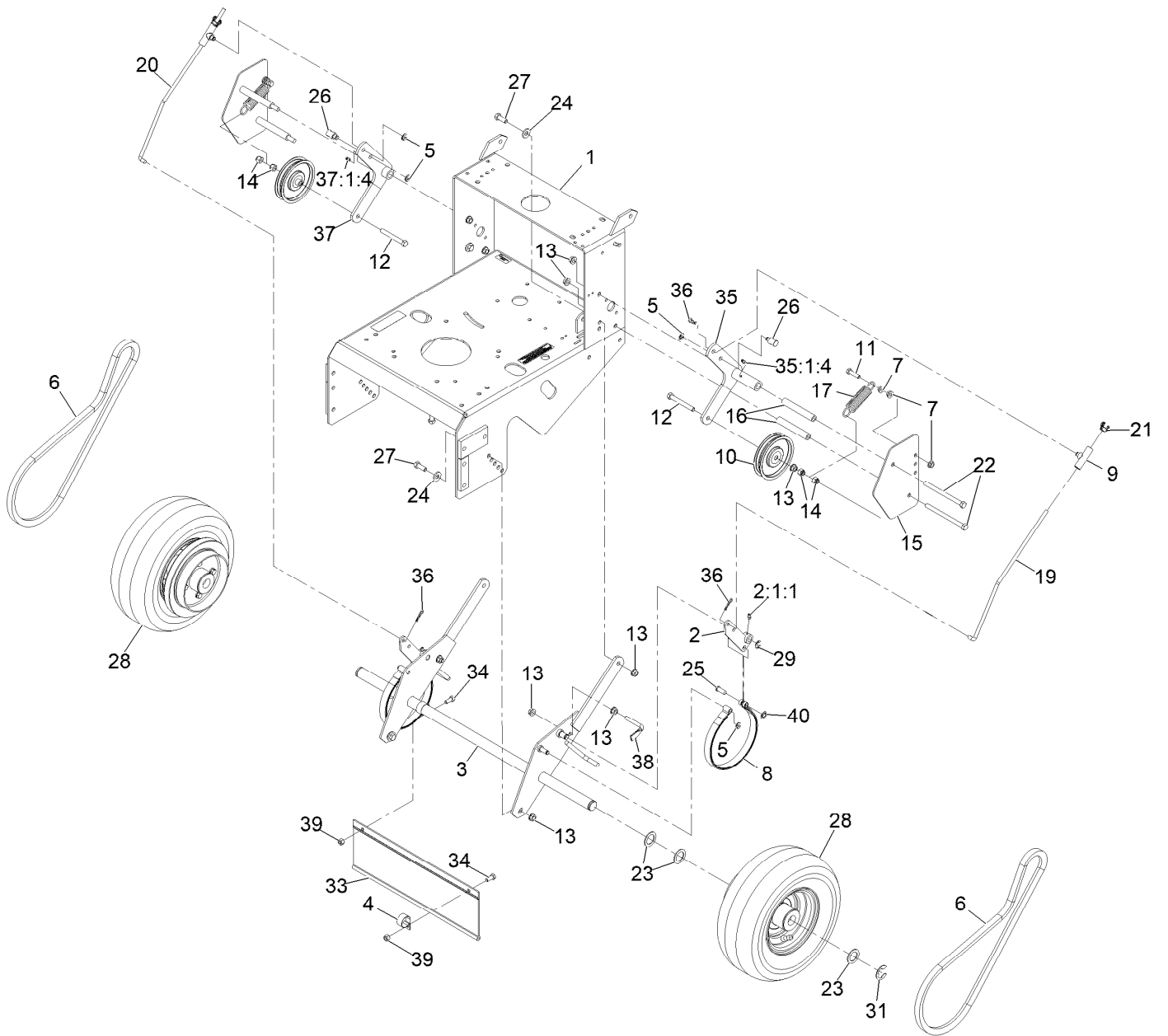


Caster Wheel Assembly No. 103-1236 (continued)

| <i>Ref.</i> | <i>Part Number</i> | <i>Qty.</i> | <i>Description</i> | <i>Ref.</i> | <i>Part Number</i> | <i>Qty.</i> | <i>Description</i> |
|-------------|--------------------|-------------|--------------------|-------------|--------------------|-------------|--------------------|
| 1 | 116-7942-01 | 1 | Fork-Caster | 3:3 | 1-513810 | 2 | Bushing |
| 2 | 1-513547 | 1 | Spacer | 3:4 | 302-61 | 1 | Fitting-Grease |
| 3 | 110-5023 | 1 | Wheel And Tire ASM | 3:5 | | 1 | Wheel ● |
| 3:1 | | 1 | Tire ● | 4 | 3296-45 | 1 | Nut-Hex |
| 3:2 | 1-513809 | 1 | Bearing | 5 | 325-20 | 1 | Screw-HH |

● Not serviced separately

Engine Deck W/Transmission

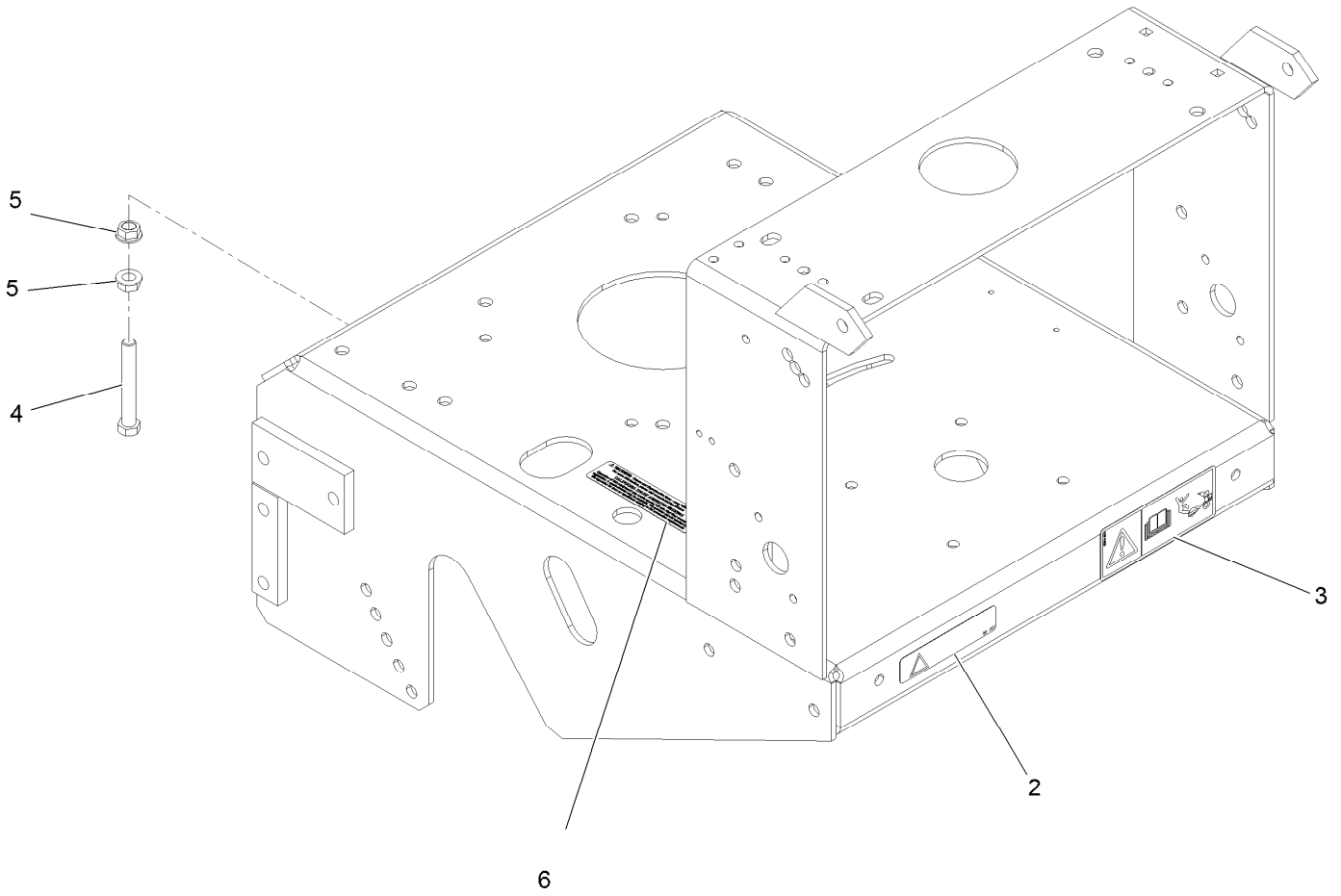


Engine Deck W/Transmission (continued)

| <i>Ref.</i> | <i>Part Number</i> | <i>Qty.</i> | <i>Description</i> | <i>Ref.</i> | <i>Part Number</i> | <i>Qty.</i> | <i>Description</i> |
|-------------|--------------------|-------------|------------------------------------|-------------|--------------------|-------------|------------------------|
| 1 | 116-6131 | 1 | ASM, Metro Engine Deck W/Decals | 21 | 1-513959 | 2 | Wingnut-Nyloc 5/16 |
| 2 | 103-1611-03 | 2 | Arm-Brake | 22 | 323-39 | 4 | Screw-HH 3/8-16 X 5 |
| 2:1:1 | 1-324154 | 1 | Bushing-Zerk | 23 | 1-523157 | 6 | Washer ● |
| 3 | 1-322117-03 | 1 | Axle | 23 | 1-543436 | 8 | Washer-Spacer ● |
| 4 | 2412-104 | 2 | Clamp-R | 24 | 98-5975 | 4 | Washer-Spring Disc 3/8 |
| 5 | 32151-47 | 4 | Ring-Retaining | 25 | 1-323307 | 2 | Pin-Clevis 1/2 X 1 |
| 6 | 1-323288 | 2 | Belt, Wheel Drive | 26 | 103-1618 | 2 | Swivel, Short |
| 7 | 32128-20 | 6 | Nut-Whizlock 5/16-18 | 27 | 323-6 | 4 | Screw-HH 3/8-16 X 1 |
| 8 | 1-323262 | 2 | Band-Brake | 28 | 126-4482 | 2 | Drive Wheel ASM |
| 9 | 110-5866 | 2 | Swivel-Brake | 29 | 32120-47 | 2 | Ring-Retaining |
| 10 | 1-323277 | 2 | Idler-Wheel, Drive | 31 | 1-808519 | 2 | Ring-Snap |
| 11 | 116-3515 | 2 | Screw,HH Special 5/16-18 X 1.25 | 33 | 98-3259 | 1 | Shield-Trailing |
| 12 | 99-8664 | 2 | Bolt-HH 3/8-16 X 3 Tap | 34 | 322-3 | 2 | Screw-HH 5/16-18 X 3/4 |
| 13 | 3290-357 | 14 | Nut-Whizlock 3/8-16 | 35 | 116-7542-03 | 1 | Arm-Idler, LH |
| 14 | 3296-39 | 4 | Nut-Nyloc 3/8-16 | 35:1:4 | 302-19 | 1 | Zerk-1/4-28 Str |
| 15 | 1-323287-01 | 2 | Shield-Wheel, Drive | 36 | 1-806003 | 2 | Hairpin-Cotter |
| 16 | 1-323283 | 4 | Spacer-Shield | 37 | 116-7543-03 | 1 | Arm-Idler, RH |
| 17 | 1-603402 | 2 | Spring-Extension | 37:1:4 | 302-19 | 1 | Zerk-1/4-28 Str |
| 19 | 103-1619 | 1 | Linkage,LH Brake | 38 | 1-412358 | 2 | Scraper |
| 20 | 103-1620 | 1 | Linkage,RH Brake | 39 | 3296-29 | 2 | Nut-Nyloc 5/16-18 |
| | | | | 40 | 1-803051 | 2 | Nut-Push 3/8 |

● QTY As Required

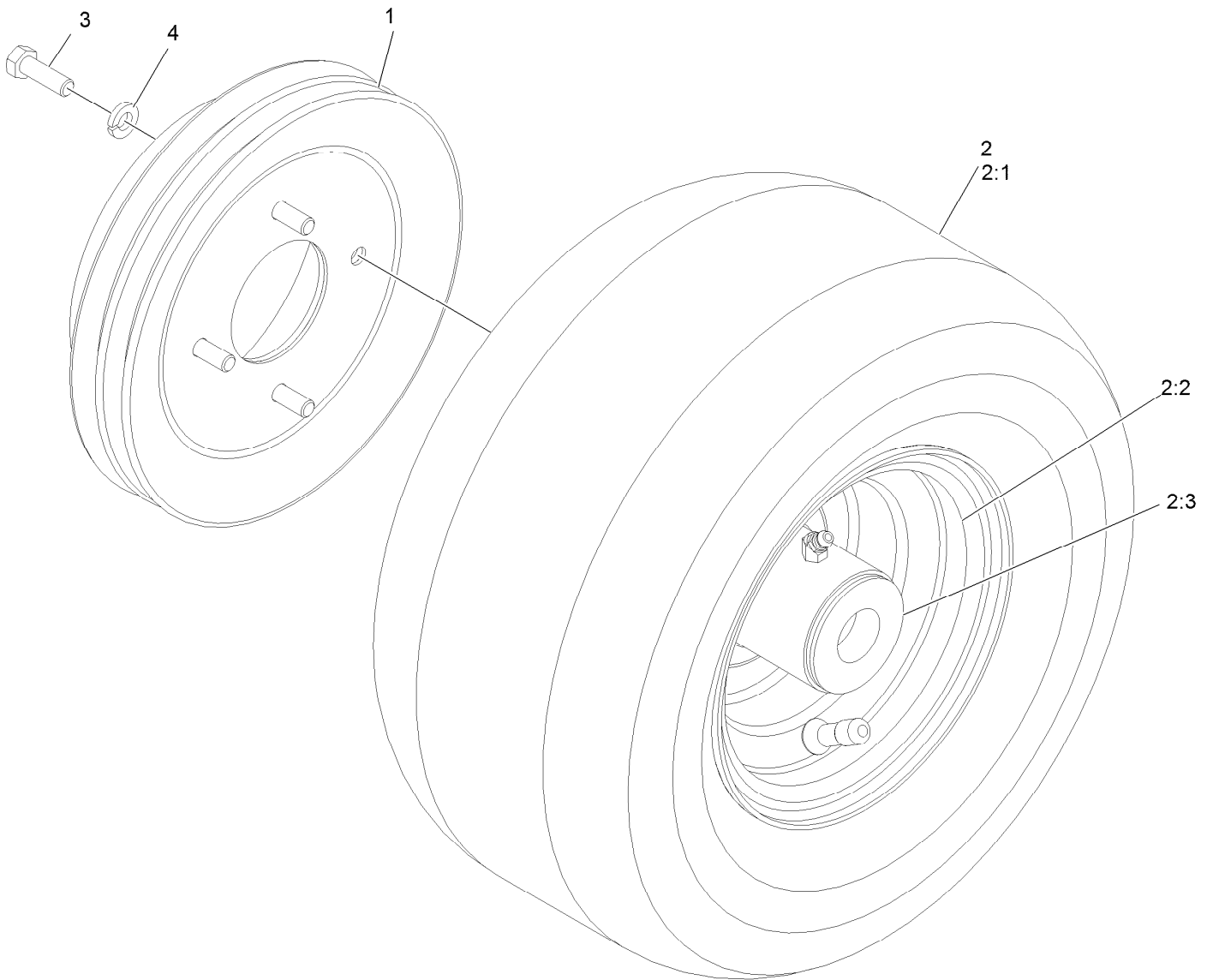
Engine Deck W/Decals Assembly



Engine Deck W/Decals Assembly (continued)

| <i>Ref.</i> | <i>Part Number</i> | <i>Qty.</i> | <i>Description</i> | <i>Ref.</i> | <i>Part Number</i> | <i>Qty.</i> | <i>Description</i> |
|-------------|--------------------|-------------|-------------------------|-------------|--------------------|-------------|-----------------------|
| 2 | 98-1977 | 1 | Decal-Warning | 5 | 3290-357 | 2 | Nut-Whizlock 3/8-16 |
| 3 | 126-1400 | 1 | Decal-Warning, Sulky | 6 | 133-8062 | 1 | Decal-Arrestor, Spark |
| 4 | 323-13 | 1 | Screw-HH 3/8-16 X 2 3/4 | | | | |

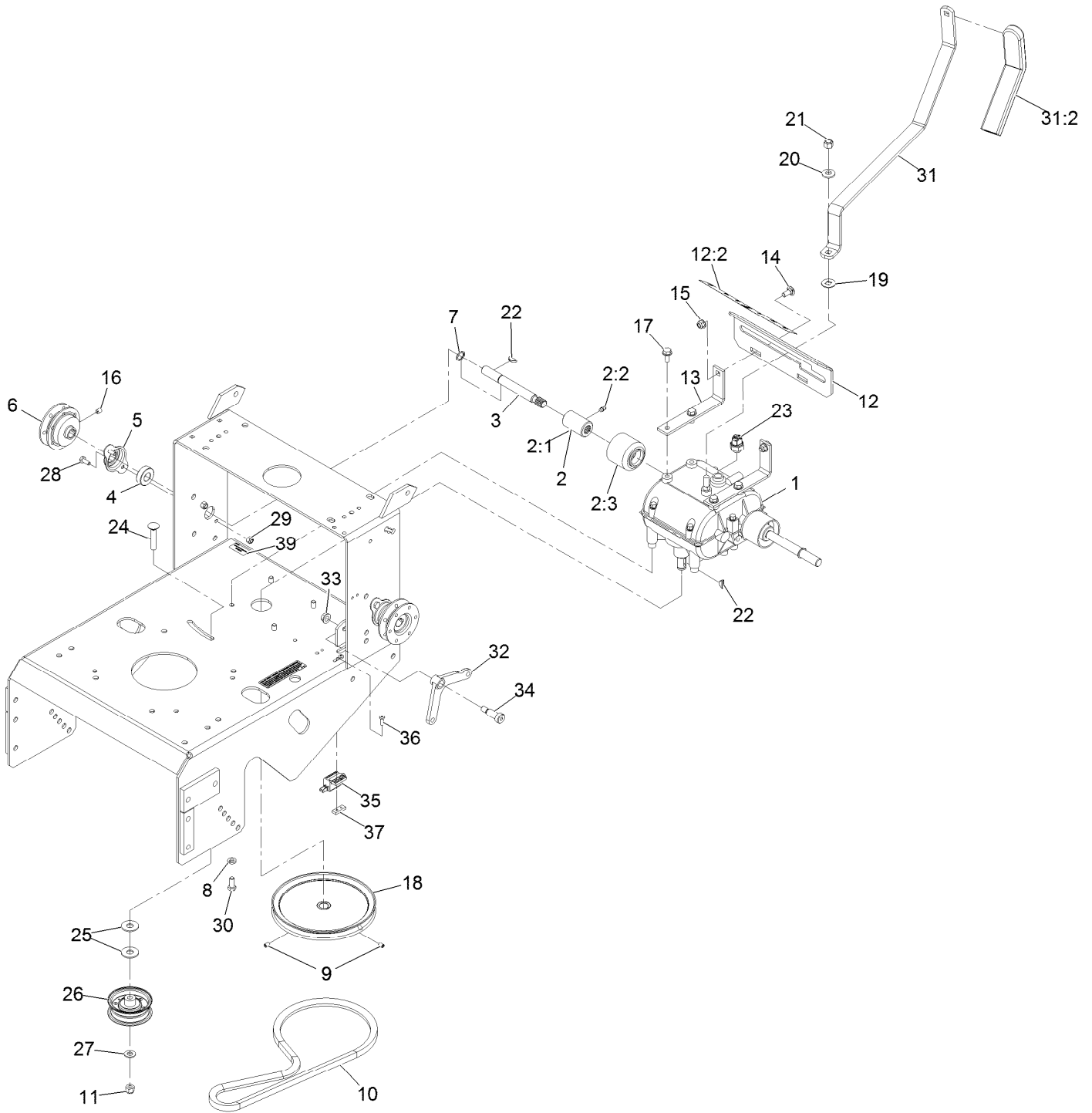
Wheel and Tire Assembly



Wheel and Tire Assembly (continued)

| <i>Ref.</i> | <i>Part Number</i> | <i>Qty.</i> | <i>Description</i> | <i>Ref.</i> | <i>Part Number</i> | <i>Qty.</i> | <i>Description</i> |
|-------------|--------------------|-------------|---------------------|-------------|--------------------|-------------|------------------------|
| 1 | 109-4359 | 1 | Drum And Sheave ASM | 2:3 | 1-323329 | 2 | Bearing-Flanged |
| 2 | 130-8364 | 1 | Wheel And Tire ASM | 3 | 322-5 | 4 | Screw-HH 5/16-18 X 1 |
| 2:1 | 130-8367 | 1 | Tire | 4 | 1-805005 | 4 | Washer-Lock 5/16 Heavy |
| 2:2 | 1-323328 | 1 | Wheel And Hub ASM | | | | |

Engine Deck W/Transmission (cont.)



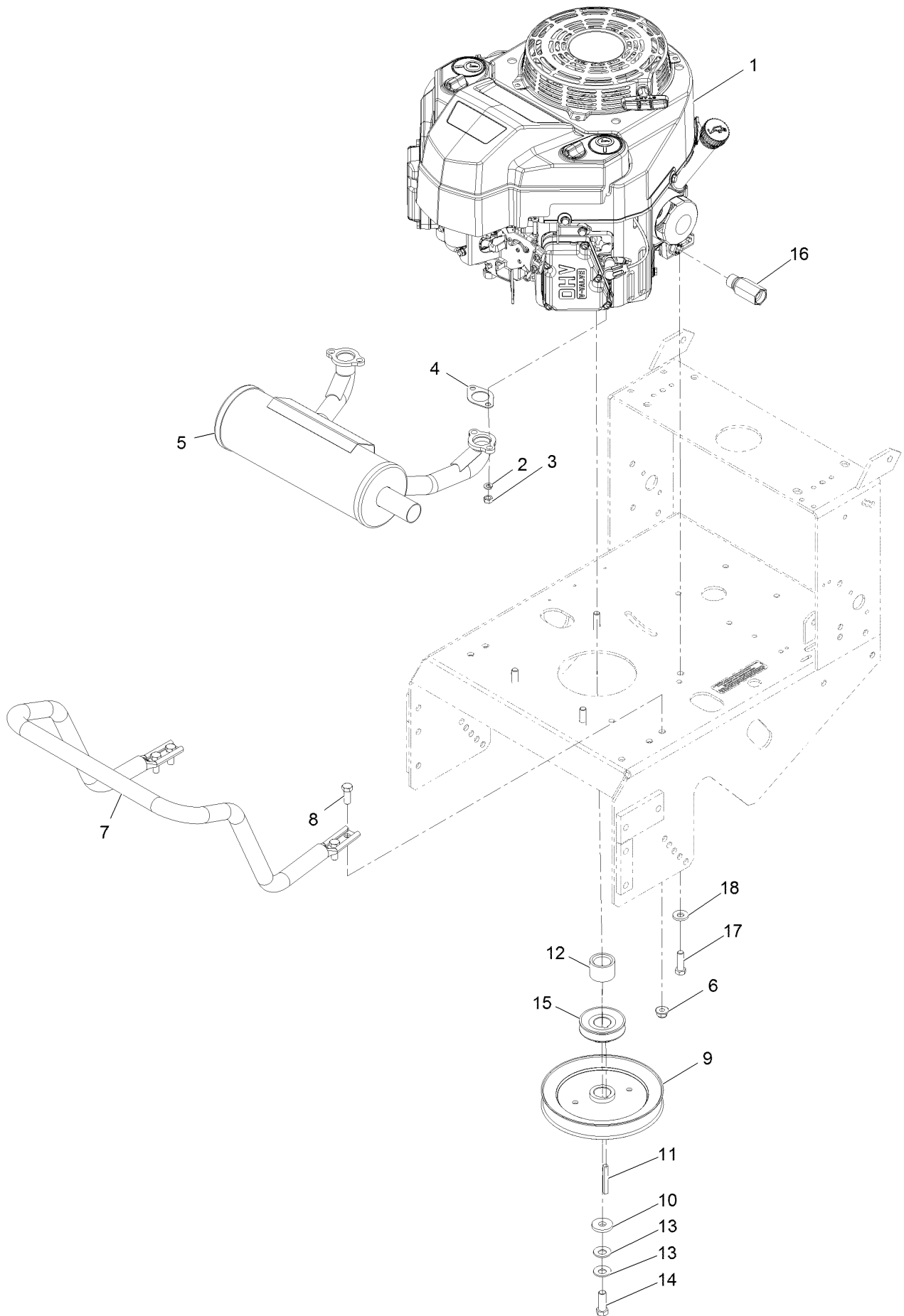
Engine Deck W/Transmission (cont.) (continued)

| <i>Ref.</i> | <i>Part Number</i> | <i>Qty.</i> | <i>Description</i> | <i>Ref.</i> | <i>Part Number</i> | <i>Qty.</i> | <i>Description</i> |
|-------------|--------------------|-------------|------------------------------|-------------|--------------------|-------------|----------------------------|
| 1 | 137-4105 | 1 | Transmission-5 Speed | 18 | 1-323278 | 1 | Sheave-Transmission ● |
| 2 | 1-324340 | 2 | Coupling, W/Guard And Zerk | 19 | 1-323379 | 1 | Washer |
| 2:1 | 1-323680 | 1 | Coupler | 20 | 98-5975 | 1 | Washer-Spring Disc 3/8 |
| 2:2 | 302-19 | 1 | Zerk-1/4-28 Str | 21 | 3296-6 | 1 | Nut-Nyloc 3/8-24 |
| 2:3 | 51-4220 | 1 | Guard-Coupler | 22 | 3257-5 | 3 | Key-Woodruff #9 3/4 X 3/16 |
| 3 | 1-323502 | 2 | Shaft-Transmission | 23 | 1-303282 | 1 | Switch-Start, Neutral |
| 4 | 1-323252 | 2 | Bearing-Shaft ● | 24 | 3231-6 | 1 | Bolt-Carriage 3/8-16 X 2 |
| 5 | 1-323254 | 2 | Flange-Output | 25 | 3256-5 | 2 | Washer-7/16 Std |
| 6 | 103-6511 | 2 | Sheave-Transmission ● | 26 | 130-8362 | 1 | Pulley-Idler, Flat |
| 7 | 32151-62 | 2 | Ring-Retaining | 27 | 3256-24 | 1 | Washer-3/8 SAE |
| 8 | 1-805005 | 4 | Washer-Lock 5/16 Heavy | 28 | 321-3 | 4 | Screw-HH 1/4-20 X 5/8 |
| 9 | 3245-41 | 2 | Setscrew-1/4-20 X 3/8 ■ | 29 | 3296-42 | 4 | Nut-Nyloc 1/4-20 |
| 10 | 1-323280 | 1 | Belt, Transmission Drive | 30 | 322-3 | 4 | Screw-HH 5/16-18 X 3/4 |
| 11 | 3296-39 | 1 | Nut-Nyloc 3/8-16 | 31 | 103-1606 | 1 | Lever, Shift W/Grip |
| 12 | 103-3498 | 1 | Asm, Shifter Plate W/ Decals | 31:2 | 103-1733 | 1 | Grip Foam |
| 12:2 | 98-3264 | 1 | Decal-Speed, Ground | 32 | 1-303186 | 1 | Bellcrank |
| 13 | 1-323389-03 | 2 | Bracket-Plate, Shift | 33 | 3290-357 | 1 | Nut-Whizlock 3/8-16 |
| 14 | 3230-1 | 2 | Bolt-Carriage 5/16-18 X 3/4 | 34 | 1-603403 | 1 | Bolt-Shoulder |
| 15 | 104-8300 | 2 | Nut-Nyloc 5/16-18 Flg | 35 | 1-513051 | 1 | Switch-N.O. |
| 16 | 3246-18 | 2 | Setscrew-5/16-18 X 3/8 ■ | 36 | 3290-500 | 2 | Screw-PPH #10-24 X 5/8 |
| 17 | 32144-11 | 4 | Screw-HWH 5/16-18 X 3/4 Tf | 37 | 1-633181 | 1 | Plate-Tapped |
| | | | | 39 | 126-4345 | 1 | Decal-Patent |

● Apply anti-seize compound in bore.

■ Use Pro-Lock, Nut Type (P/N 1-840022, .5ml tube) on threads.

Engine Assembly



Engine Assembly (continued)

| <i>Ref.</i> | <i>Part Number</i> | <i>Qty.</i> | <i>Description</i> | <i>Ref.</i> | <i>Part Number</i> | <i>Qty.</i> | <i>Description</i> |
|-------------|--------------------|-------------|-----------------------|-------------|--------------------|-------------|-------------------------|
| 1 | | 1 | Engine-Kawasaki ●■ | 10 | 1-373034 | 1 | Washer |
| 2 | 114-3550 | 4 | Washer-Spring Lock M8 | 11 | 103-4177 | 1 | Key |
| 3 | 114-3549 | 4 | Nut-M8 | 12 | 1-633453 | 1 | Spacer-Clutch |
| 4 | 1-653313 | 2 | Gasket-Exhaust | 13 | 1-603610 | 2 | Washer-Spring Disc 7/16 |
| 5 | 116-3735 | 1 | Muffler-Horizontal | 14 | 116-3702 | 1 | Screw-HH ◆ |
| 6 | 104-8301 | 4 | Nut-Nyloc 3/8-16 Flg | 15 | 103-1666 | 1 | Sheave-Transmission ▲ |
| 7 | 135-4729-03 | 1 | Tube-Guard Muffler | 16 | 103-2587 | 1 | Adapter |
| 8 | 323-6 | 4 | Screw-HH 3/8-16 X 1 | 17 | 323-7 | 4 | Screw-HH 3/8-16 X 1 1/4 |
| 9 | 103-1667 | 1 | Sheave ▲ | 18 | 98-5975 | 4 | Washer-Spring Disc 3/8 |

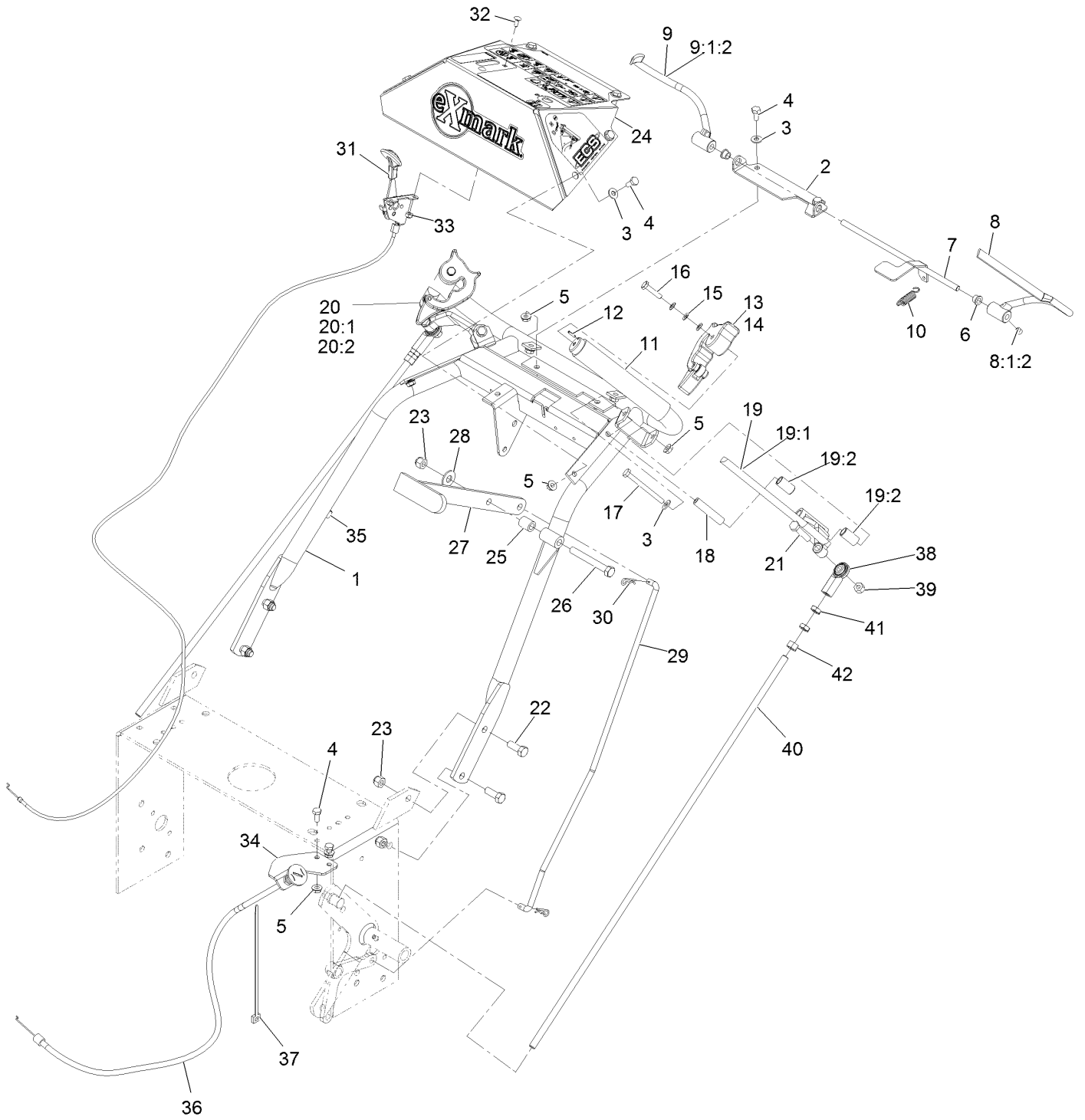
● Not serviced separately

▲ Apply anti-seize compound in bore.

◆ Use Pro-Lock, Nut Type (P/N 1-840022, .5ml tube) on threads.

■ Obtain parts from www.kawpower.com

ECS Upper Handle and Controls



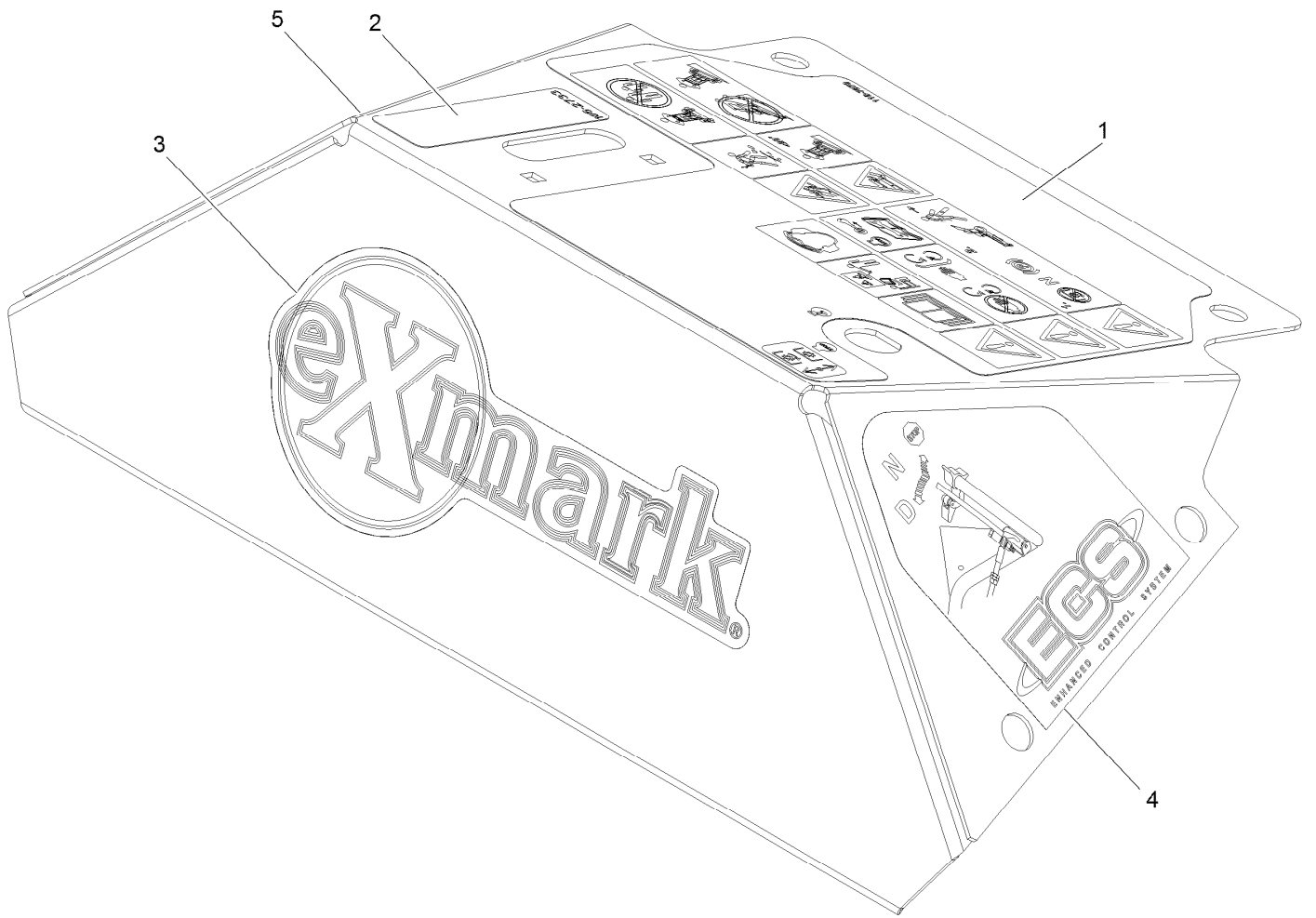
ECS Upper Handle and Controls (continued)

| <i>Ref.</i> | <i>Part Number</i> | <i>Qty.</i> | <i>Description</i> | <i>Ref.</i> | <i>Part Number</i> | <i>Qty.</i> | <i>Description</i> |
|-------------|--------------------|-------------|------------------------------------|-------------|--------------------|-------------|--|
| 1 | 103-0770-03 | 1 | Handle Weldment | 20:2 | 126-9366 | 2 | Bushing, Sleeve |
| 2 | 103-0489-03 | 1 | Bracket, Opc Axle | 21 | 322-9 | 2 | Screw-HH 5/16-18 X 1 3/4 |
| 3 | 3256-22 | 10 | Washer-1/4 SAE | 22 | 323-6 | 4 | Screw-HH 3/8-16 X 1 |
| 4 | 321-3 | 10 | Screw-HH 1/4-20 X 5/8 | 23 | 3296-39 | 5 | Nut-Nyloc 3/8-16 |
| 5 | 32128-33 | 12 | Nut-Whizlock 1/4-20 | 24 | 109-4934 | 1 | Asm, Console (109-4649-03) W/Decals |
| 6 | 1-303365 | 2 | Bushing-Nylon | 25 | 1-633080 | 1 | Spacer |
| 7 | 103-0769-03 | 1 | Rod Weldment, OPC | 26 | 323-14 | 1 | Screw-HH 3/8-16 X 3 |
| 8 | 116-4079 | 1 | Wld,LH OPC Lever ■ | 27 | 103-1629 | 1 | Clutch Lever W/Grip |
| 8:1:2 | 1-803322 | 1 | Setscrew-5/16-24 X 5/16 ● | 28 | 3256-4 | 1 | Washer-3/8 Std |
| 9 | 116-4080 | 1 | Wld,RH OPC Lever ■ | 29 | 103-1627 | 1 | Linkage, Upper |
| 9:1:2 | 1-803322 | 1 | Setscrew-5/16-24 X 5/16 ● | 30 | 1-806003 | 2 | Hairpin-Cotter |
| 10 | 1-303363 | 1 | Spring-Extension | 31 | 116-2426 | 1 | Control, Throttle |
| 11 | 103-0815 | 2 | Grip-Bar, Handle | 31 | 116-2426RT02 | 1 | Control, Throttle |
| 12 | 126-2925 | 2 | Pin-Spring | 32 | 1-807513 | 2 | Bolt-Carriage #10-24 X 1/2 |
| 13 | 103-1631 | 1 | Latch, Thumb LH | 33 | 3296-2 | 2 | Nut-Nyloc #10-24 |
| 14 | 103-1630 | 1 | Latch, Thumb RH | 34 | 103-1797-01 | 1 | Bracket-Cable, Choke |
| 15 | 1-303435 | 6 | Washer-Spring Disc 1/4 | 35 | 1-303088 | 1 | Clip-Cable |
| 16 | 103-0235 | 2 | Screw-HH 1/4-20 X 1 1/8 W/Nylon | 36 | 103-1796 | 1 | Cable-Choke |
| 17 | 321-14 | 2 | Screw-HH 1/4-20 X 2 3/4 | 36 | 103-1796RT01 | 1 | Cable-Choke |
| 18 | 103-0027 | 2 | Bushing-Lever, Drive | 37 | 3290-378 | 1 | Tie-Cable |
| 19 | 103-2514 | 1 | Asm, Drive Lever LH | 38 | 103-2463 | 2 | Balljoint |
| 19:1 | 116-4081 | 1 | Wld,LH Drive Lever | 39 | 3296-29 | 2 | Nut-Nyloc 5/16-18 |
| 19:2 | 126-9366 | 2 | Bushing, Sleeve | 40 | 103-1604 | 2 | Linkage, Wheel Drive |
| 20 | 103-2513 | 1 | Asm, Drive Lever RH | 41 | 3220-3 | 4 | Nut-Jam 3/8-24 |
| 20:1 | 116-4082 | 1 | Wld,RH Drive Lever | 42 | 3219-3 | 2 | Nut-Hex 3/8-24 |

● Use Pro-Lock, Nut Type (P/N 1-840022, .5ml tube) on threads.

■ Use Pro-Lock retaining type, Part no. 1-840023 (.5cc tube) on inside of bore of OPC hub.

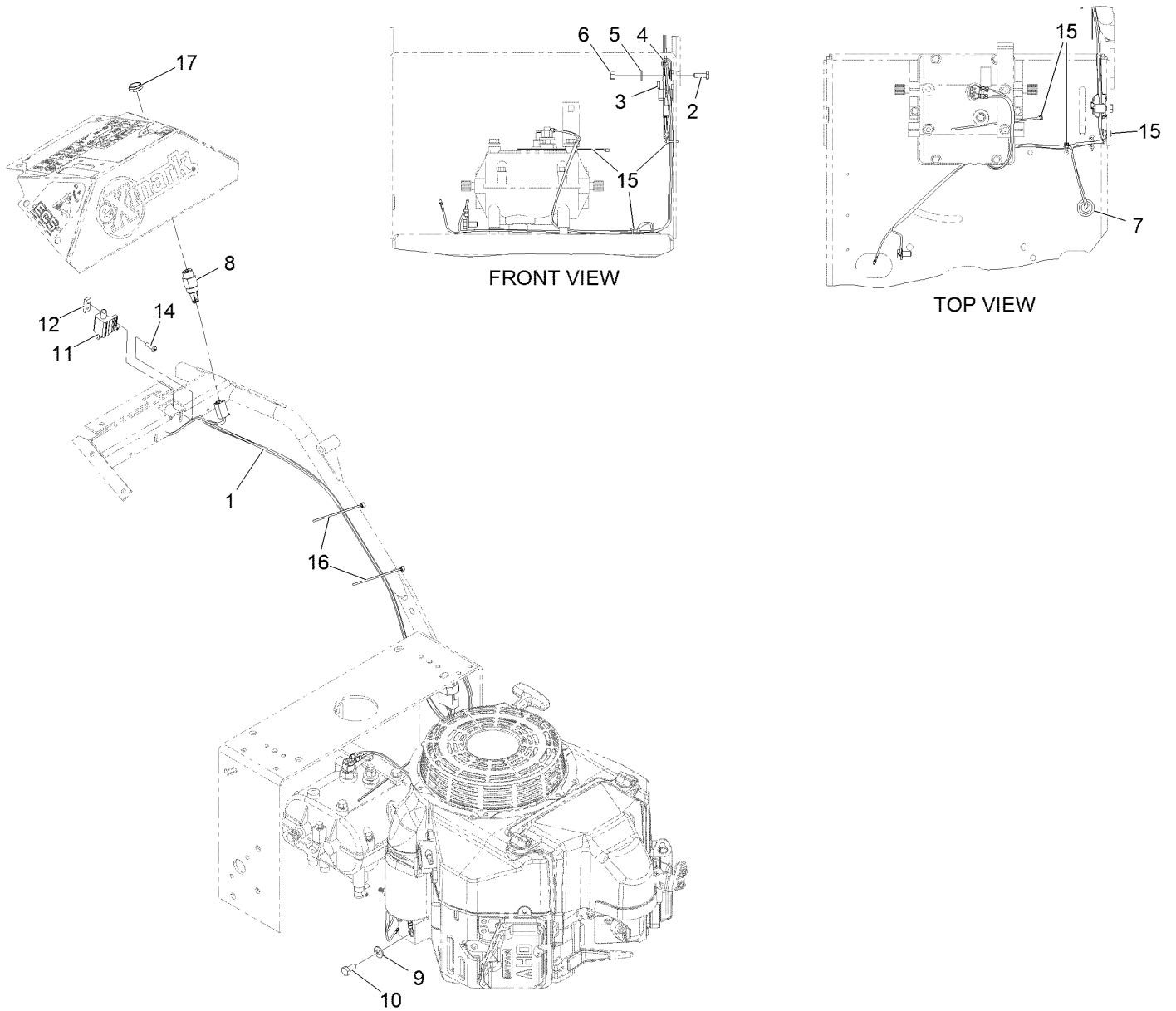
Console W/Decals Assembly



Console W/Decals Assembly (continued)

| <i>Ref.</i> | <i>Part Number</i> | <i>Qty.</i> | <i>Description</i> | <i>Ref.</i> | <i>Part Number</i> | <i>Qty.</i> | <i>Description</i> |
|-------------|--------------------|-------------|--------------------|-------------|--------------------|-------------|---------------------------|
| 1 | 135-2864 | 1 | Decal-Console | 4 | 103-2244 | 1 | Decal, LH Ecs Instruction |
| 2 | 106-2733 | 1 | Decal-Throttle | 5 | 103-2245 | 1 | Decal, RH Ecs Instruction |
| 3 | 126-6877 | 1 | Decal, Exmark Logo | | | | |

Electrical Assembly



Electrical Assembly (continued)

| <i>Ref.</i> | <i>Part Number</i> | <i>Qty.</i> | <i>Description</i> | <i>Ref.</i> | <i>Part Number</i> | <i>Qty.</i> | <i>Description</i> |
|-------------|--------------------|-------------|--------------------------------------|-------------|--------------------|-------------|-------------------------|
| 1 | 116-2661 | 1 | Harness-Wire ● | 9 | 33094-00 | 1 | Washer |
| 2 | 321-4 | 1 | Screw-HH 1/4-20 X 3/4 | 10 | 33114-016 | 1 | Screw-HH M8-1.25 X 16Mm |
| 3 | 1-323430 | 1 | Module-Interlock | 11 | 1-513051 | 1 | Switch-N.O. |
| 4 | 1-513762 | 1 | Clip-Loom 1/2 | 12 | 1-633181 | 1 | Plate-Tapped |
| 5 | 3256-22 | 1 | Washer-1/4 SAE | 14 | 3290-500 | 2 | Screw-PPH #10-24 X 5/8 |
| 6 | 3296-42 | 1 | Nut-Nyloc 1/4-20 | 15 | 1-303287 | 3 | Tie-Cable 5 1/2 (Small) |
| 7 | 1-543296 | 1 | Grommet | 16 | 1-303287 | 2 | Tie-Cable 5 1/2 (Small) |
| 8 | 1-403121 | 1 | Switch & Key (Includes Nut & Washer) | 17 | 103-0498 | 1 | Nut-Ignition |

● Use dielectric grease on all unsealed connectors and terminals only. Do not apply in sealed connectors.

Fuel Tank Assembly (continued)

| <i>Ref.</i> | <i>Part Number</i> | <i>Qty.</i> | <i>Description</i> | <i>Ref.</i> | <i>Part Number</i> | <i>Qty.</i> | <i>Description</i> |
|-------------|--------------------|-------------|-------------------------------------|-------------|--------------------|-------------|---|
| 1 | 135-2855 | 1 | ASM, Fuel Tank 5 Gal | 14 | 3290-378 | 4 | Tie-Cable |
| 1:2 | 137-4119 | 1 | Cap-Fuel, Ratcheting | 15 | 114-0286 | 1 | Hose-Vent |
| 1:3 | 114-0284 | 1 | Grommet | 16 | 117-1221 | 1 | Canister-Carbon, 800Cc |
| 1:4 | 119-3547 | 1 | Valve-Vent, Fuel | 17 | 115-0962 | 1 | Hose-Vent, Canister |
| 1:5 | 46-6560 | 1 | Bushing | 18 | 116-2231 | 1 | Hose-Vent, Formed |
| 1:6 | 109-9364 | 1 | Fitting-Fuel (W/Line And Screen) | 19 | 114-0292 | 1 | Bracket-Canister, Carbon |
| 2 | 107-4543 | 2 | Clamp | 20 | 321-2 | 2 | Screw-HH 1/4-20 X 1/2 |
| 3 | 3256-3 | 2 | Washer-5/16 Std | 21 | 115-4486-01 | 1 | Bracket-Canister, Carbon |
| 4 | 322-10 | 2 | Screw-HH 5/16-18 X 2 | 22 | 104-7201 | 4 | Nut-Nyloc 1/4-20 Flg |
| 5 | 104-8300 | 2 | Nut-Nyloc 5/16-18 Flg | 23 | 3229-1 | 2 | Bolt-Carriage 1/4-20 X 3/4 |
| 7 | 114-4428 | 1 | Hose-Fuel | 24 | 116-2232 | 1 | Valve-Control, Vacuum |
| 8 | 2412-98 | 4 | Clamp-Hose | 25 | 119-8502 | 1 | Hose-Vent, Formed |
| 9 | 1-603770 | 1 | Valve-Fuel | 26 | 119-8501 | 1 | Hose-Vent, Formed |
| 10 | 109-0293 | 1 | Hose-Fuel Line 8 1/2" | 28 | | 1 | Pn 41019-1055 Filter W/6In Fuel Line ●■▲ |

● Not illustrated
▲ Obtain parts from www.kawpower.com

■ Not serviced separately

Notes:



MAXIMIZE THE PERFORMANCE OF YOUR EXMARK MACHINE.



EXMARK® PREMIUM ENGINE OIL

Exmark now offers a family of engine oil viscosities to perform well in any environment. Each viscosity has the same synthetic formulation to give you what you need in punishing conditions. We designed each grade to the highest quality, making it ideal even for diesel applications. Coupled with Exmark Premium Fuel Treatment, we have the performance products to make your machine hum.

EXMARK PREMIUM ENGINE OIL SAE 30/10W-30

- Meets zero shear requirements of a straight grade SAE 30 as well as the cold temp properties of a 10W-30.
- Most versatile oil in the industry.
- Superior corrosion protection over conventional oil - even in corrosive, humid environments.

EXMARK PREMIUM ENGINE OIL SAE 20W-50

- Perfect for your big block engine, or any application in severe service.
- Same full synthetic formulation as all other Exmark Premium viscosities.
- Also effective for use in severe service small block engines.

EXMARK PREMIUM ENGINE OIL SAE 10W-50

- Full synthetic formulation gives you peak performance. Don't settle for less.
- Wide span multi-grade combines easy starting in cold weather with maximum protection in high temperature operation.
- Reduce friction & wear over standard mineral formulations.

EXMARK PREMIUM ENGINE OIL SAE 0W-40

- The perfect choice for when the weather turns cold or unpredictable, and your Exmark UTV has to perform.
- Commercial quality for severe service.
- Advanced additive package helps prevent corrosion from long-term storage.

EXMARK PREMIUM ENGINE OIL UTV FORMULATION

- 4-cycle high-temp formulation.
- Heavier viscosity, full synthetic, perfect for your UTV.

EXMARK PREMIUM UTV EXTREME CONDITIONS GEAR OIL

- SAE 80W-90, designed to keep your UTV performing at its peak.
- Shear stable, hypoid gear lube.
- Includes a premium additive system to combat wear, oxidation, rust & corrosion.

Available from your local Exmark dealer. Find your closest dealer at exmark.com

EXMARK ACCESSORIES AND OPTIONS*

MID-MOUNT RIDING ACCESSORIES AND OPTIONS

| | |
|------------------------------------|---------------------------------|
| CUSTOM RIDE SEAT SUSPENSION SYSTEM | OPERATOR CONTROLLED DISCHARGE |
| FULL SUSPENSION SEAT | SUN SHADE |
| DECK LIFT ASSIST KIT | TRASH CONTAINER |
| HITCH KIT | TURF STRIPER |
| LIGHT KIT | ULTRA VAC COLLECTION SYSTEM |
| 12V POWER PORT | ULTRA VAC QUICK DISPOSAL SYSTEM |
| MICRO-MULCH SYSTEM | |

OUT-FRONT RIDING ACCESSORIES AND OPTIONS

| | |
|------------------------------------|---------------------------------|
| CUSTOM RIDE SEAT SUSPENSION SYSTEM | SNOW BLADE |
| DUAL-TAIL WHEEL | SNOWBLOWER |
| FLOOR PAN EXTENDER | SUN SHADE |
| HITCH KIT | TRASH CONTAINER |
| LIGHT KIT | ULTRA VAC COLLECTION SYSTEM |
| MICRO-MULCH SYSTEM | ULTRA VAC QUICK DISPOSAL SYSTEM |
| ROLL OVER PROTECTION SYSTEM (ROPS) | WEATHER CAB |

WALK-BEHIND ACCESSORIES AND OPTIONS

| | |
|--------------------|--------------|
| GRASS CATCHER | TURF STRIPER |
| MICRO-MULCH SYSTEM | STANDON |

*Some accessories and options not available for some models.

Place Model No. and Serial No.
Label Here (Included in the Literature
Pack) or Fill in Below

Model No. _____

Serial No. _____

Date Purchased _____

Engine Model No. and Spec. No. _____

Engine Serial No. (E/No) _____

© 2021 Exmark Mfg. Co., Inc.
415 Industrial Row
Beatrice, NE 68310
All Rights Reserved

Part No. 4505-181 Rev. A
(402) 223-6375
Fax (402) 223-5489
Printed in the USA.

