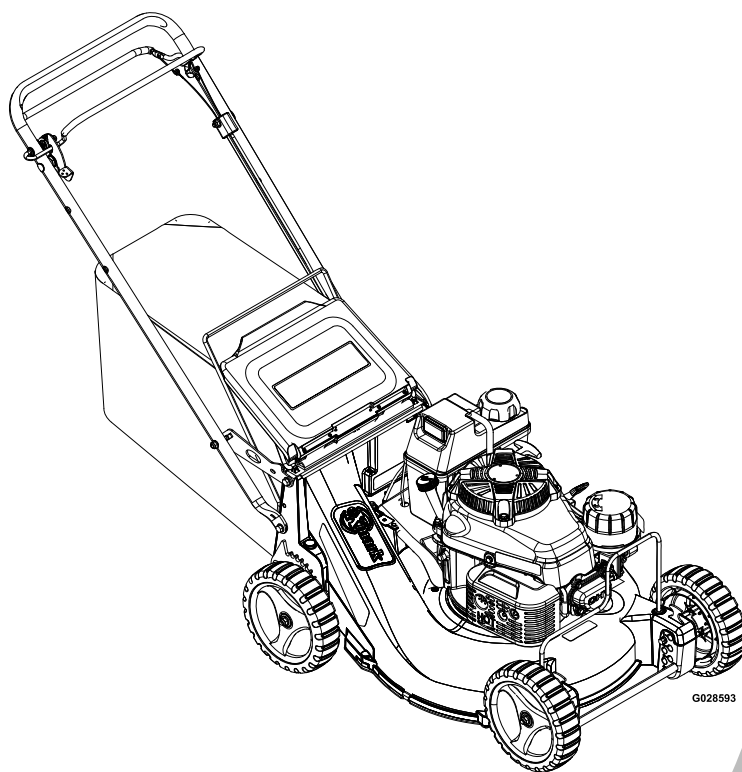




COMMERCIAL 21

Model No. ECS180GKA21000—Serial No. 408644346 and Up

Picture below may not reflect actual product.



Parts Manual

Part No. 4505-165 Rev. A

Ordering Replacement Parts

To order replacement parts, please supply the part number, the quantity, and the description of each part desired.

Understanding Reference Numbers

Each identified part in an illustration has a reference number. The reference number for a part also appears in the parts list, along with other information about the part.

This catalog uses two special reference number formats, one to indicate parts in a service assembly and another to indicate the quantity of a given part in an illustration.

Service Assembly Reference Numbers

Parts in service assemblies have reference numbers in the form a:b. The a represents the reference number of the entire service assembly and the b represents a sequential number unique to each part within the service assembly.

For example, a wheel assembly might be identified by reference number 6, the tire by 6:1, the valve by 6:2, and the wheel by 6:3. When you order the assembly identified by reference number 6, you receive all parts identified by reference numbers 6:1, 6:2, and 6:3. However, you may also order any part individually. Reference numbers of this type appear in illustration and in parts lists.

Reference Numbers Indicating Quantity

In an illustration, if a reference number indicates more than one part, the reference number has the form nX y. The n represents the quantity of the part, the X is the multiplication symbol, and the y represents the reference number.

For example, in an illustration, the reference number 2X 37 means that two of the parts identified by reference number 37 are indicated.

Touch Up Paint

Exmark black touch up spray paint – gloss black.

Exmark red touch up paint (spray paint – P/N 1-850337 - .6 oz liquid bottle – P/N 103-9140).

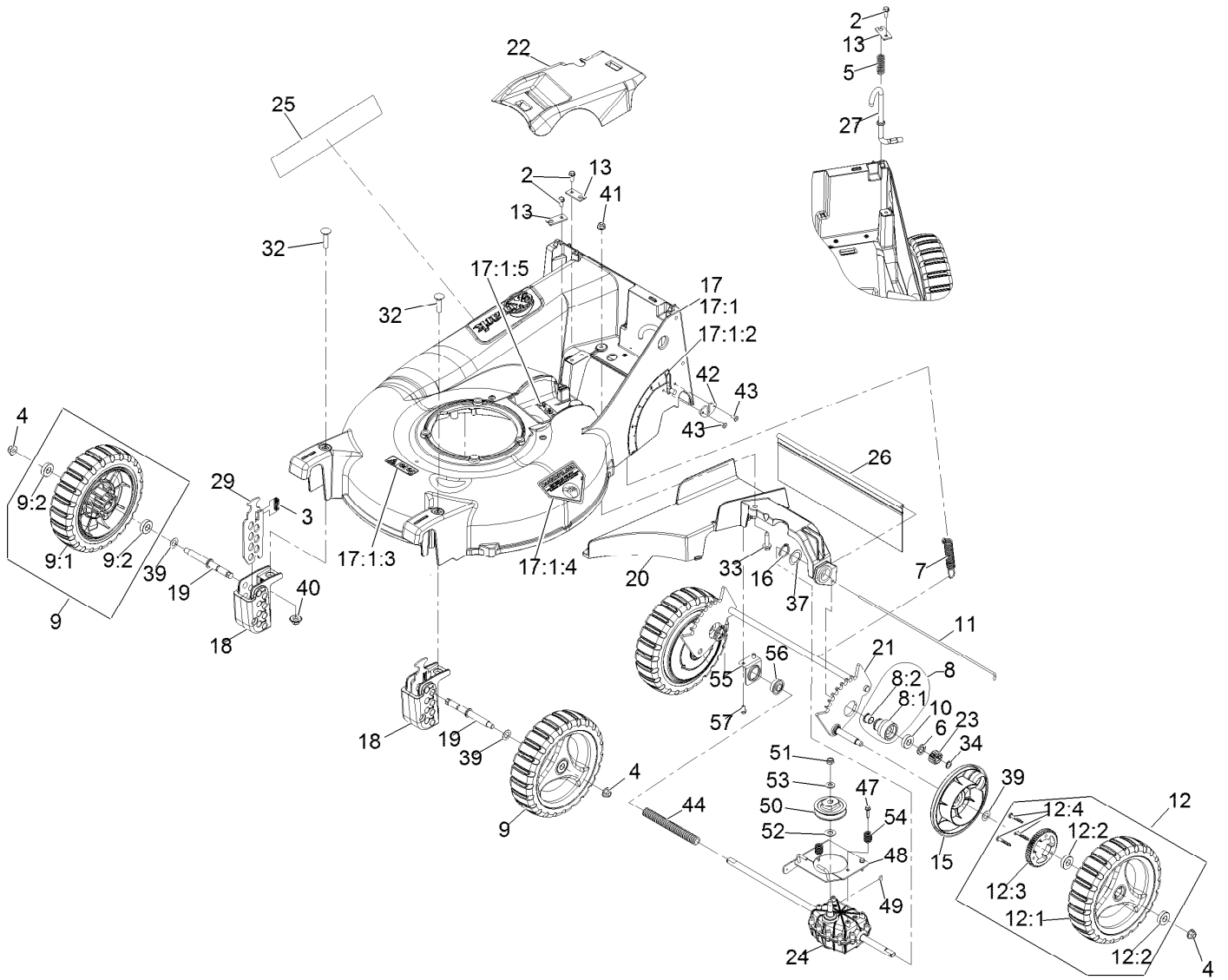


If your Exmark dealer does not have the Exmark part in stock, Exmark will get the parts to the dealer the next business day or the part will be FREE Guaranteed!! (Some restrictions apply. See your participating Exmark Dealer for details.)

Contents

Deck and Wheel Assembly 4
Handle Assembly 6
Bag and Door Assembly 8
Blade Assembly 10
Engine Assembly 12

Deck and Wheel Assembly

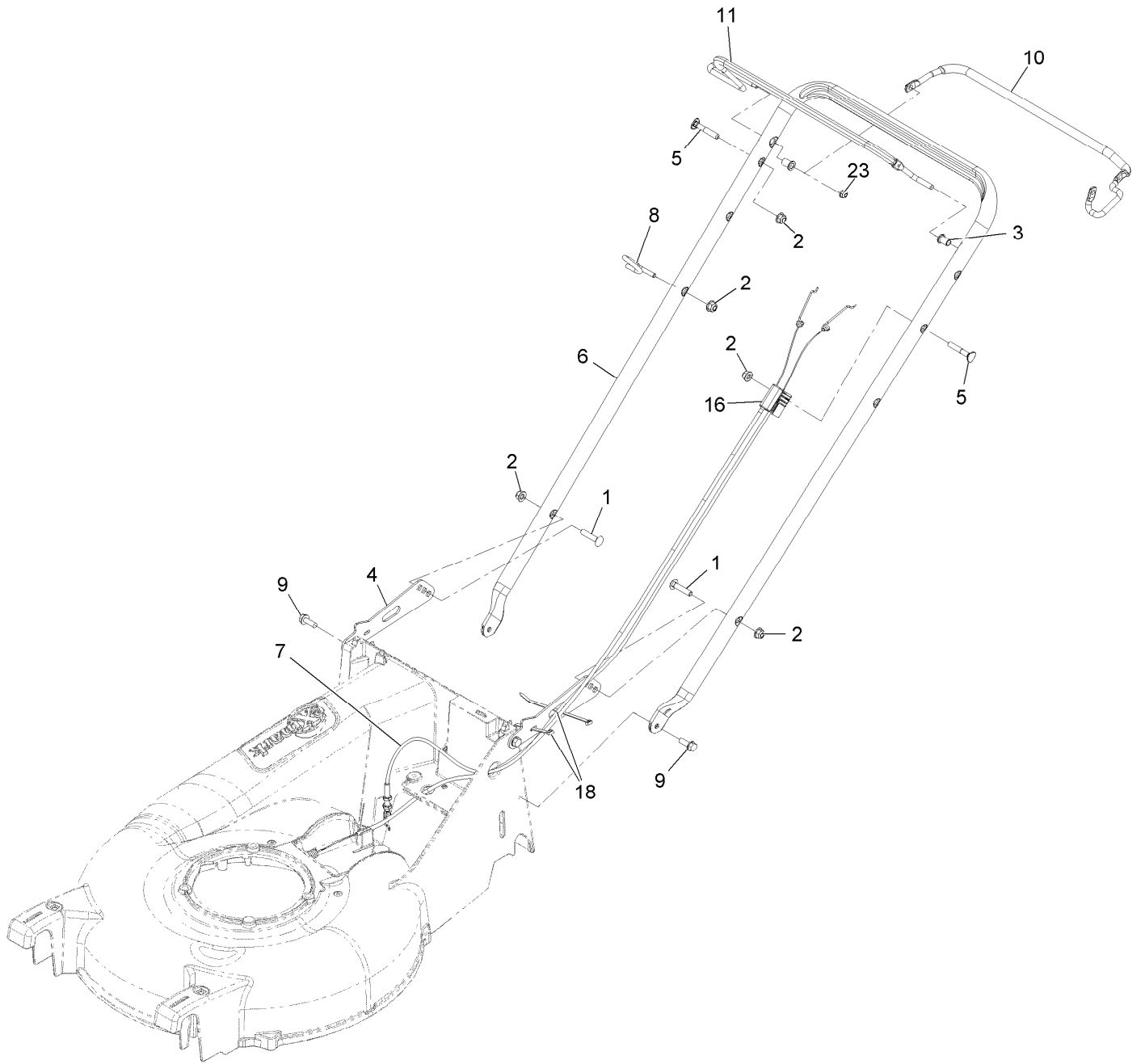


Deck and Wheel Assembly (continued)

<i>Ref.</i>	<i>Part Number</i>	<i>Qty.</i>	<i>Description</i>	<i>Ref.</i>	<i>Part Number</i>	<i>Qty.</i>	<i>Description</i>
2	32144-85	2	Screw-HWH 1/4-20 X .62	21	109-9312	1	Wld,Rear Axle P21
3	109-7258	2	Spring-Compression	22	109-9324	1	Cover,Belt
4	104-8301	4	Nut-Nyloc 3/8-16 Flg	23	131-5399	2	Gear-Pinion, 15T
5	109-7694	1	Spring-Compression	24	116-9906	1	Transmission-HD, 4.5/1
6	108-5059	2	Spacer-Bushing	25	126-6885	1	Decal-Comm 21 S-Series
7	109-7692	1	Spring-Extension	26	116-0252	1	Shield-Trailing P21
8	116-6172	2	Housing ASM	27	116-0329	1	Rod-Height Adj P21
8:1	116-6171	1	Housing-Bearing	29	109-9292	2	Plate, Front Height
8:2	116-4279	1	Bearing-Flange	32	109-8449	2	Bolt-Carriage 3/8-16 X 1 1/2
9	126-7347	2	Wheel ASM, 9" W/Bearings	33	32144-49	1	Screw-HWH 5/16-18 1 1/4 Tf
9:1	126-7345	1	Wheel ASM, 9"	34	32151-61	2	Ring-Retaining
9:2	133-2603	2	Bearing-Ball	37	74-1810	2	Washer
10	133-2603	2	Bearing-Ball	39	36-4780	4	Washer
11	109-8025	1	Rod,Shield	40	109-6658	2	Nut-Nyloc 3/8-16 Flg
12	126-7758	2	Wheel ASM, 9 W/Gear	41	104-8300	1	Nut-Nyloc 5/16-18 Flg
12:1	126-7345	1	Wheel ASM, 9"	42	116-2221	1	Plate,Wear
12:2	133-2603	2	Bearing-Ball	43	114439	2	Rivet
12:3	133-2625	1	Gear-Wheel, 52T	44	126-2335	1	Cover-Shaft-Drive
12:4	130-6426	3	Stud-Drive	47	27-0220	3	Screw-Special
13	109-8441	2	Bracket,Mount	48	116-3539-03	1	Transmission Plate ASM
15	126-8259	2	Cover,Gear	49	3257-1	1	Key-Woodruff 1/8 X 1/2
16	32151-36	2	Ring-Retaining	50	39-6740	1	Pulley
17	135-7789	1	Deck-ASM, Com21 Boxed	51	3296-5	1	Nut-Nyloc 3/8-24 Thin
17:1		1	Deck W/Decals ●	52	36-4792	1	Washer-Thrust
17:1:2	116-1922	1	Decal-Height Of Cut	53	3256-45	1	Washer-Flat
17:1:3	130-9670	1	Decal-Warning, Blade	54	116-1438	2	Spring,Compression
17:1:4	94-8072	1	Decal-Danger	55	138-3233	1	Mount-Bearing
17:1:5	119-0217	1	Decal-Danger	56	104-8699	1	Bearing-Ball
18	109-9302	2	Block,Front Quadrant	57	9266714	2	Screw-HWH 1/4-20 X .50
19	116-0994	2	Axle-Wheel				
20	116-9646-01	1	Bracket-Transmission And Chute				

● Not serviced separately

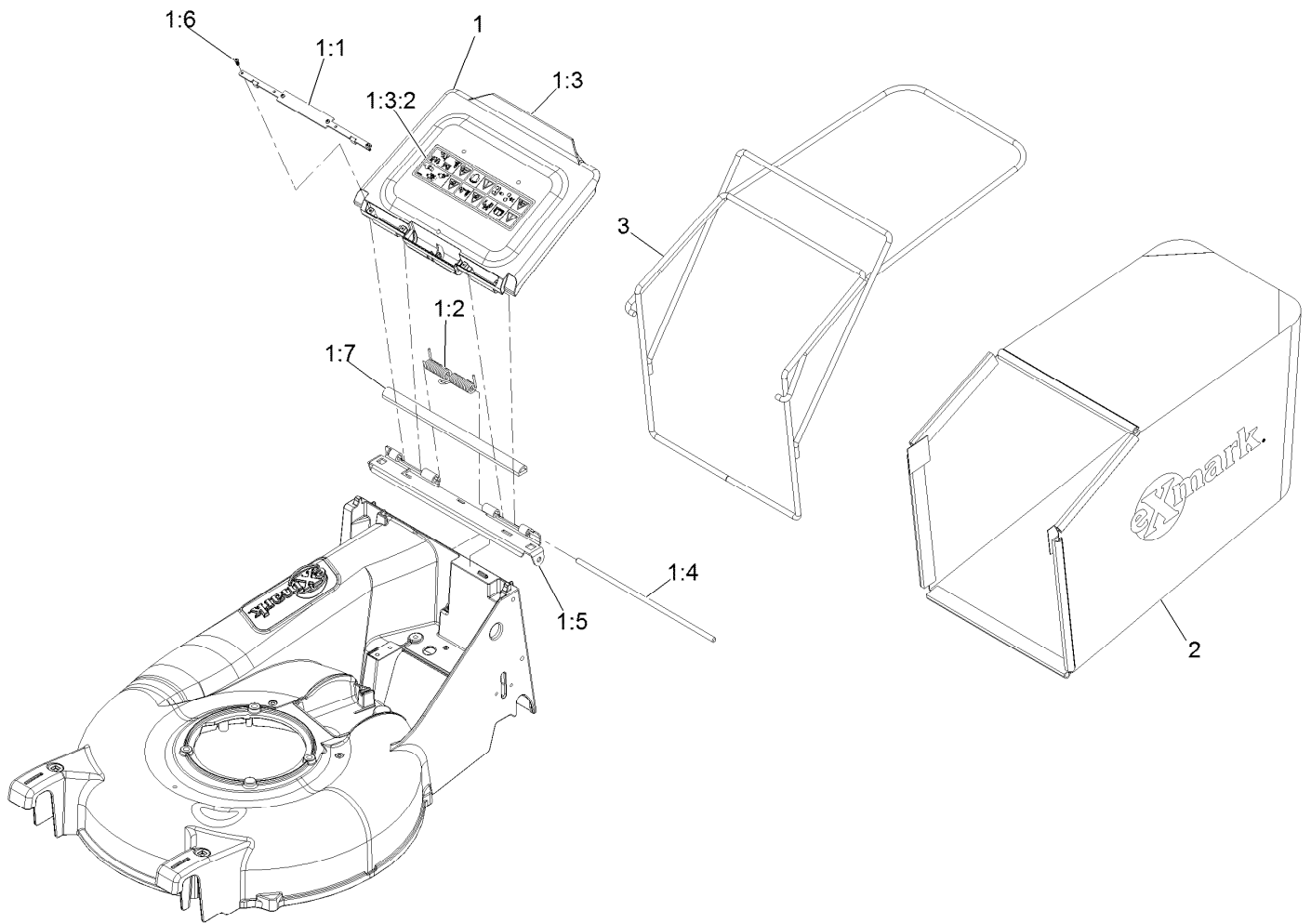
Handle Assembly



Handle Assembly (continued)

<i>Ref.</i>	<i>Part Number</i>	<i>Qty.</i>	<i>Description</i>	<i>Ref.</i>	<i>Part Number</i>	<i>Qty.</i>	<i>Description</i>
1	33-5790	2	Bolt-Carriage 5/16-18 X 1 1/2	8	116-1056	1	Guide,Rope
2	104-8300	4	Nut-Nyloc 5/16-18 Flg	9	32144-41	4	Screw-HWH 3/8-16 X 7/8 Taptite
3	116-1478	2	Bushing-Handlebar	10	116-7797	1	Bail-Drive
4	109-9323-03	2	Bracket,Handlebar	11	116-2252	1	Bail,OPC/BBC
5	112-8876	1	Bolt-Carriage 5/16-18 X 2	16	116-0905	1	Cable-Zone Kawasaki
6	116-0119-03	1	Handlebar-P21	18	614249	2	Tie-Cable
7	126-7397	1	Cable, Drive Ec21	23	104-7201	1	Nut-Nyloc 1/4-20 Flg

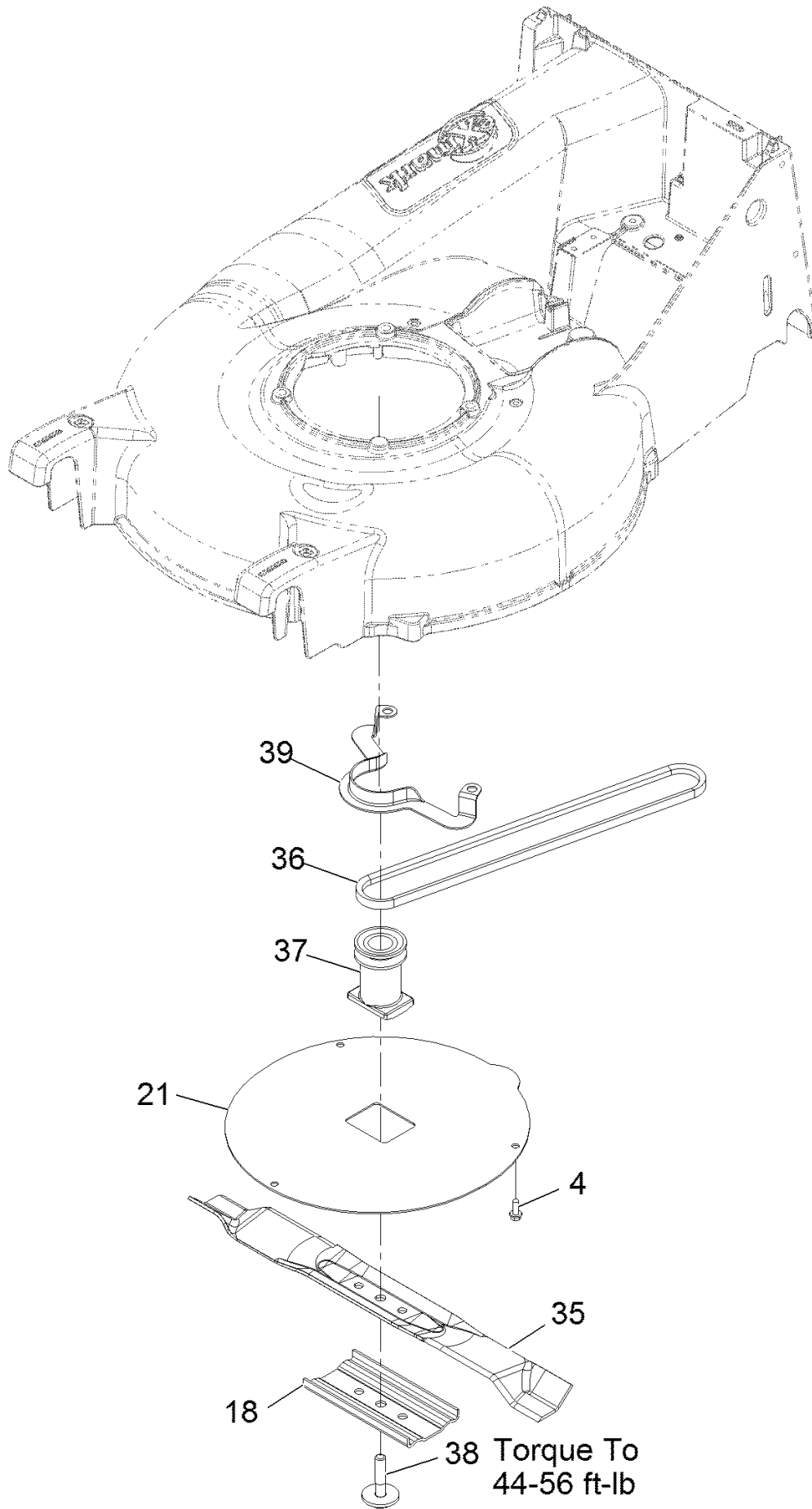
Bag and Door Assembly



Bag and Door Assembly (continued)

<i>Ref.</i>	<i>Part Number</i>	<i>Qty.</i>	<i>Description</i>	<i>Ref.</i>	<i>Part Number</i>	<i>Qty.</i>	<i>Description</i>
1	126-6086	1	Door ASM	1:5	126-2636-03	1	Bracket-Door Pivot
1:1	126-2628-03	1	Plate, Door Cover	1:6	363-1596	4	Screw-PPHTF #6-19 X 7/16
1:2	126-2627	1	Spring-Plastic Door	1:7	126-5438	1	Seal-Epdm Foam Bulb
1:3	126-4200	1	ASM-Door & Decal	2	126-2630	1	Bag-21 Grass
1:3:2	116-7583	1	Decal-Warning	3	126-2631-03	1	Wld-Bag Frame
1:4	126-2635	1	Pin-Door Pivot				

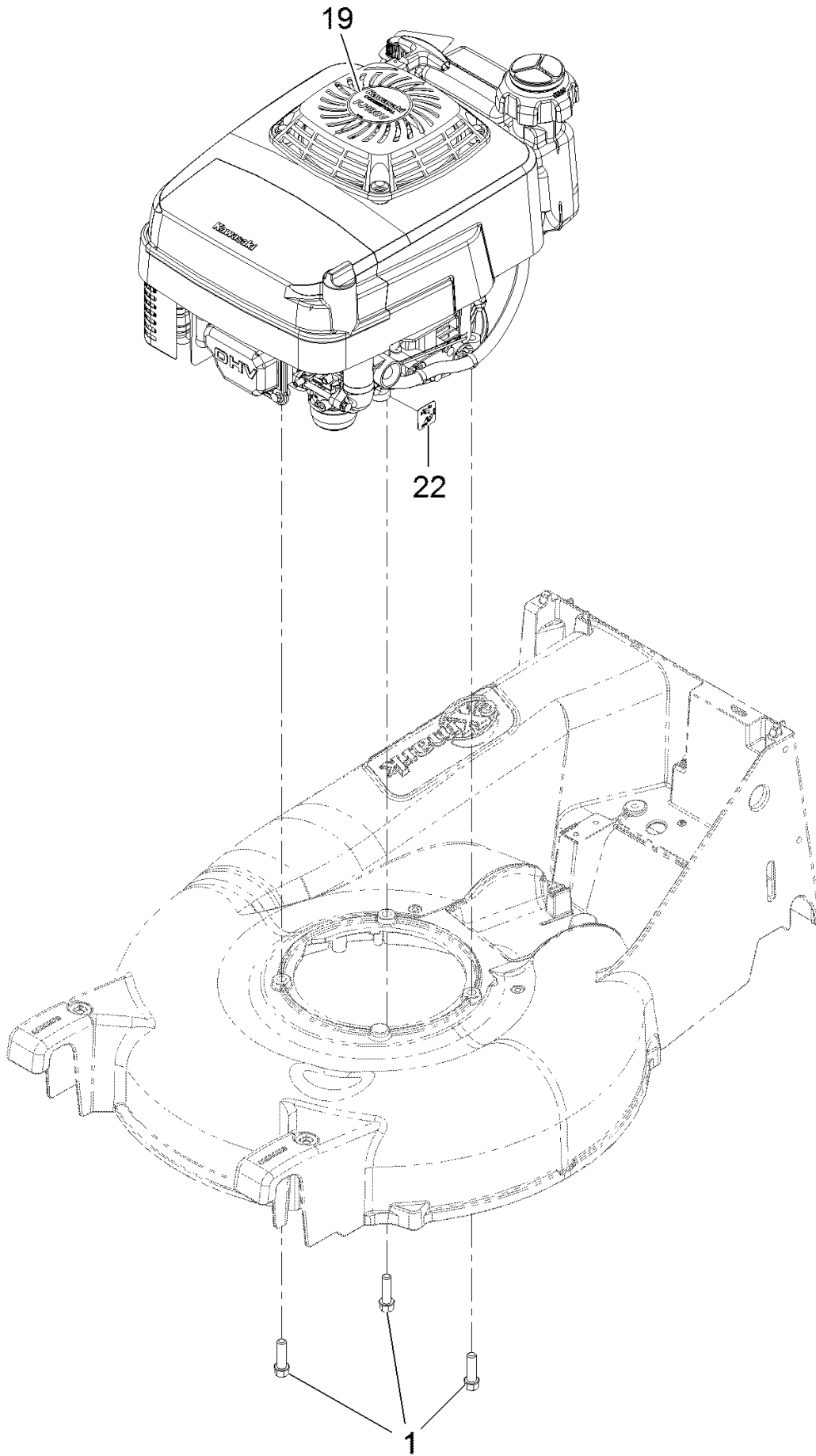
Blade Assembly



Blade Assembly (continued)

<i>Ref.</i>	<i>Part Number</i>	<i>Qty.</i>	<i>Description</i>	<i>Ref.</i>	<i>Part Number</i>	<i>Qty.</i>	<i>Description</i>
4	32144-85	3	Screw-HWH 1/4-20 X .62	36	109-7299	1	Belt,3L P21 Drive
18	108-3766-03	1	Support-Blade	37	109-7257	1	Blade-Adapter
21	116-3503-03	1	Cover-As	38	116-0005	1	Bolt-Blade, Sem
35	135-0413	1	Blade - Medium Lift, 20.5	39	108-8110-03	1	Guide-Belt

Engine Assembly



Engine Assembly (continued)

<i>Ref.</i>	<i>Part Number</i>	<i>Qty.</i>	<i>Description</i>
1	95-1727	3	Screw-HWH 3/8-16 X 1 1/4 Tapite
19	107-4201	1	Decal-Recoil
22	125-8403	1	Decal-Primer

Notes:

Notes:

EXMARK ACCESSORIES AND OPTIONS*

MID-MOUNT RIDING ACCESSORIES AND OPTIONS

CUSTOM RIDE SEAT SUSPENSION SYSTEM	OPERATOR CONTROLLED DISCHARGE
FULL SUSPENSION SEAT	SUN SHADE
DECK LIFT ASSIST KIT	TRASH CONTAINER
HITCH KIT	TURF STRIPER
LIGHT KIT	ULTRA VAC COLLECTION SYSTEM
12V POWER PORT	ULTRA VAC QUICK DISPOSAL SYSTEM
MICRO-MULCH SYSTEM	

OUT-FRONT RIDING ACCESSORIES AND OPTIONS

CUSTOM RIDE SEAT SUSPENSION SYSTEM	SNOW BLADE
DUAL-TAIL WHEEL	SNOWBLOWER
FLOOR PAN EXTENDER	SUN SHADE
HITCH KIT	TRASH CONTAINER
LIGHT KIT	ULTRA VAC COLLECTION SYSTEM
MICRO-MULCH SYSTEM	ULTRA VAC QUICK DISPOSAL SYSTEM
ROLL OVER PROTECTION SYSTEM (ROPS)	WEATHER CAB

WALK-BEHIND ACCESSORIES AND OPTIONS

GRASS CATCHER	TURF STRIPER
MICRO-MULCH SYSTEM	STANDON

*Some accessories and options not available for some models.

Place Model No. and Serial No.
Label Here (Included in the Literature
Pack) or Fill in Below

Model No. _____

Serial No. _____

Date Purchased _____

Engine Model No. and Spec. No. _____

Engine Serial No. (E/No) _____

© 2021 Exmark Mfg. Co., Inc.
415 Industrial Row
Beatrice, NE 68310
All Rights Reserved

Part No. 4505-165 Rev. A
(402) 223-6375
Fax (402) 223-5489
Printed in the USA.

