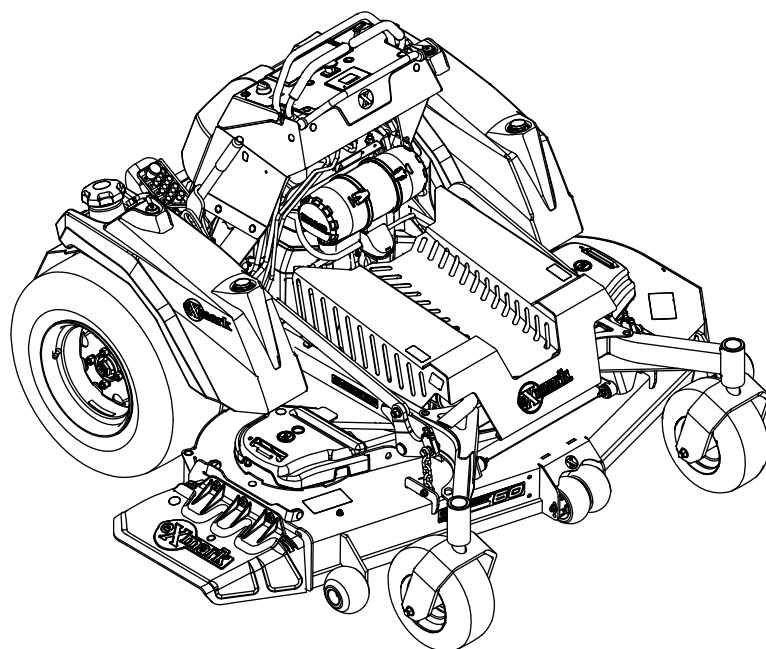




# **STARIS® S-SERIES**

Model No. STS740EKC60400—Serial No. 406294345 and Up

Picture below may not reflect actual product.



# **Parts Manual**

Part No. 4504-826 Rev. A

# Ordering Replacement Parts

To order replacement parts, please supply the part number, the quantity, and the description of each part desired.

## Understanding Reference Numbers

Each identified part in an illustration has a reference number. The reference number for a part also appears in the parts list, along with other information about the part.

This catalog uses two special reference number formats, one to indicate parts in a service assembly and another to indicate the quantity of a given part in an illustration.

## Service Assembly Reference Numbers

Parts in service assemblies have reference numbers in the form a:b. The a represents the reference number of the entire service assembly and the b represents a sequential number unique to each part within the service assembly.

For example, a wheel assembly might be identified by reference number 6, the tire by 6:1, the valve by 6:2, and the wheel by 6:3. When you order the assembly identified by reference number 6, you receive all parts identified by reference numbers 6:1, 6:2, and 6:3. However, you may also order any part individually. Reference numbers of this type appear in illustration and in parts lists.

## Reference Numbers Indicating Quantity

In an illustration, if a reference number indicates more than one part, the reference number has the form nX y. The n represents the quantity of the part, the X is the multiplication symbol, and the y represents the reference number.

For example, in an illustration, the reference number 2X 37 means that two of the parts identified by reference number 37 are indicated.

# Touch Up Paint

Exmark black touch up spray paint – gloss black.

Exmark red touch up paint (spray paint – P/N 1-850337 - .6 oz liquid bottle – P/N 103-9140).

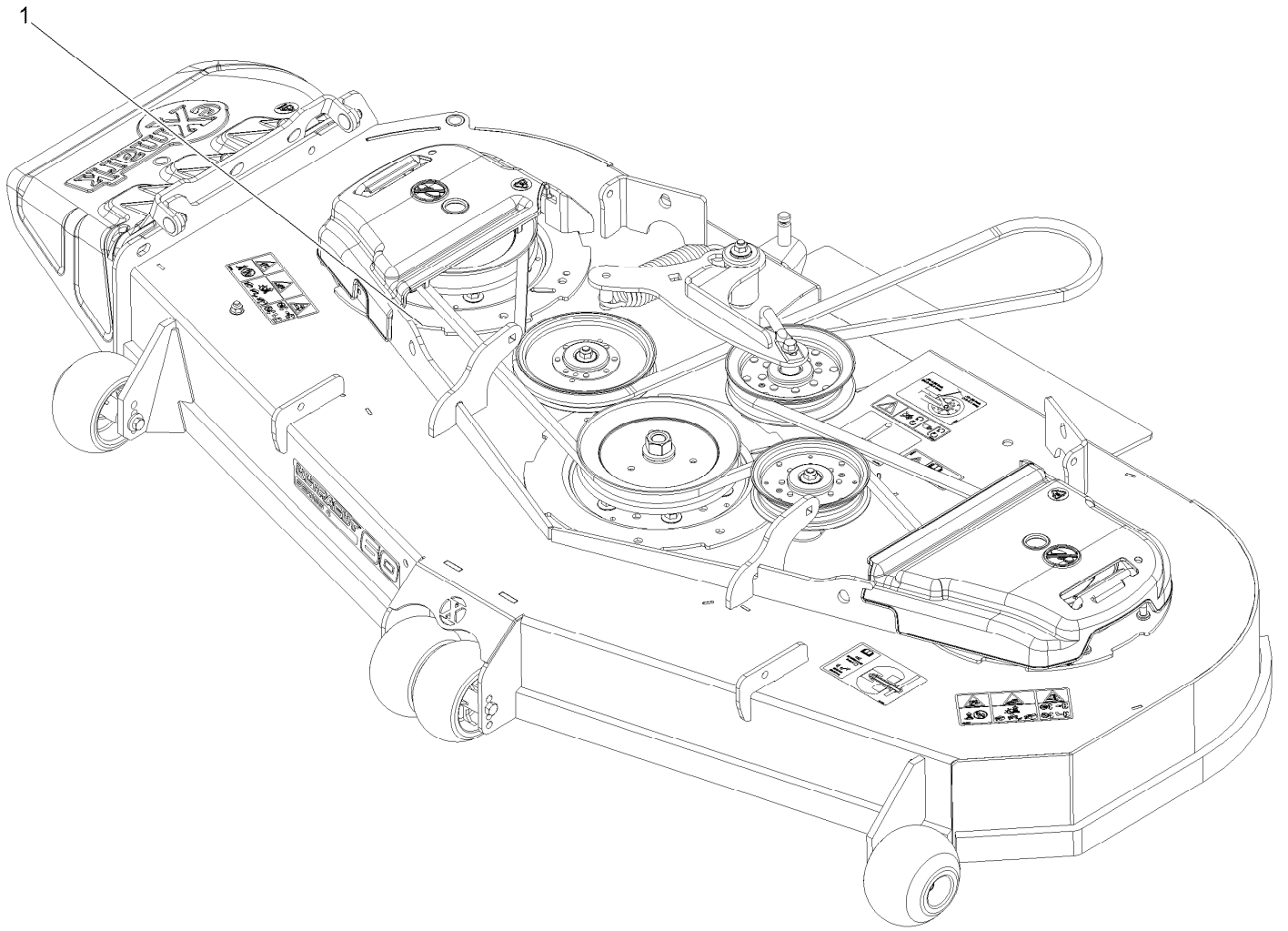


If your Exmark dealer does not have the Exmark part in stock, Exmark will get the parts to the dealer the next business day or the part will be FREE Guaranteed!! (Some restrictions apply. See your participating Exmark Dealer for details.)

## Contents

Complete Deck Assembly . . . . .	4
Deck Assembly . . . . .	6
Deck W/Decals Assembly . . . . .	8
Idler Arm Assembly . . . . .	10
Main Frame Assembly . . . . .	12
Controls Assembly . . . . .	14
Deck Lift Assembly . . . . .	16
Deck Strut Assembly . . . . .	18
Height of Cut Lever Assembly . . . . .	20
Platform Assembly . . . . .	22
Guarding Assembly . . . . .	24
Drive Wheel Assembly . . . . .	26
Caster Wheel Assembly . . . . .	28
Park Brake Assembly . . . . .	30
Fuel Assembly . . . . .	32
Left and Right Fuel Tank Assembly . . . . .	34
Left Fuel Line Assembly . . . . .	36
Right Fuel Line Assembly . . . . .	38
Fuel Line Assembly . . . . .	40
Engine Assembly . . . . .	42
Hydraulic Assembly . . . . .	44
Idler Arm Assembly . . . . .	46
Electrical Assembly . . . . .	48
Harness Assembly . . . . .	50

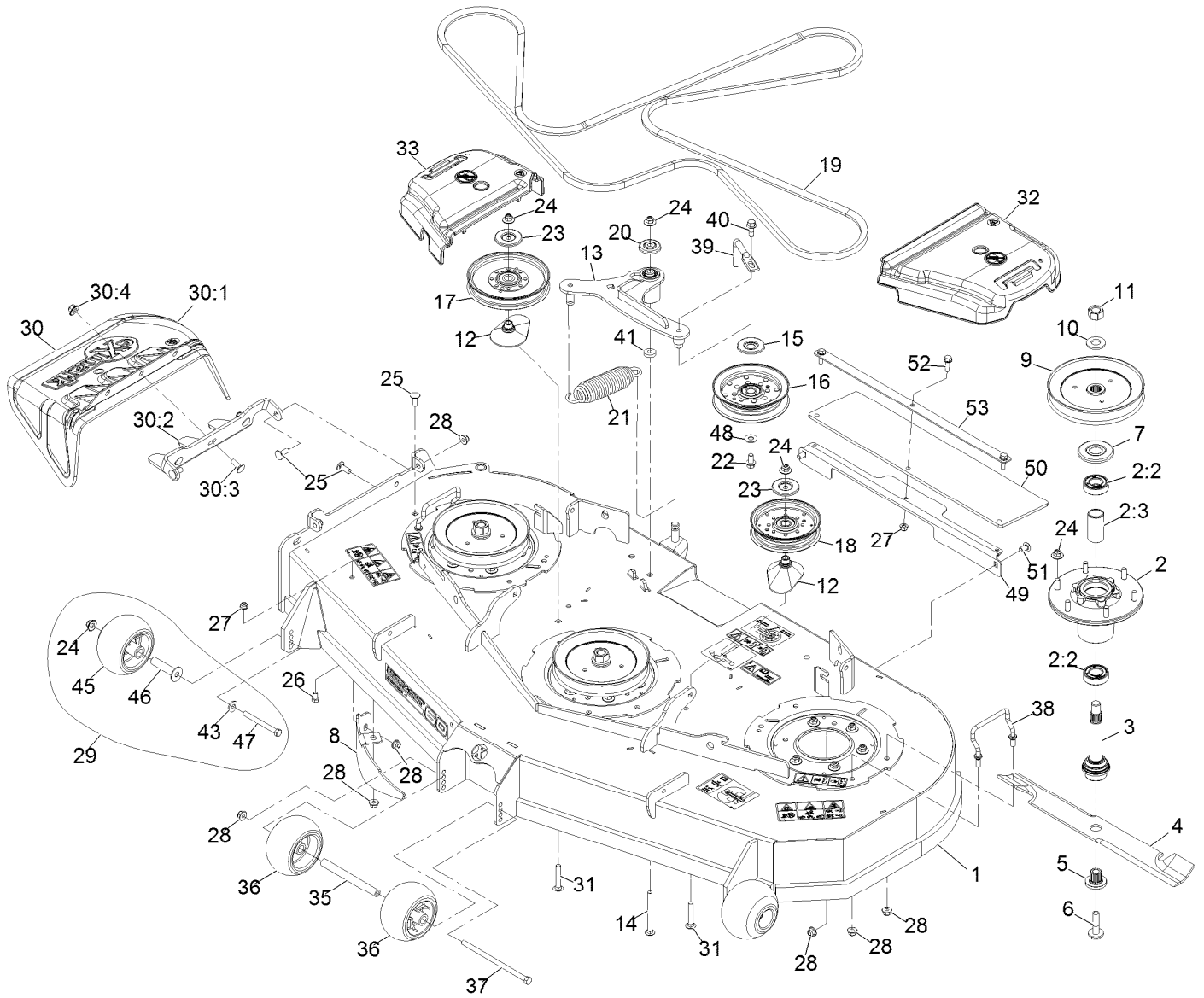
# Complete Deck Assembly



# Complete Deck Assembly (continued)

<i>Ref.</i>	<i>Part Number</i>	<i>Qty.</i>	<i>Description</i>
1	135-6670	1	ASM, Complete Deck, 604

# Deck Assembly



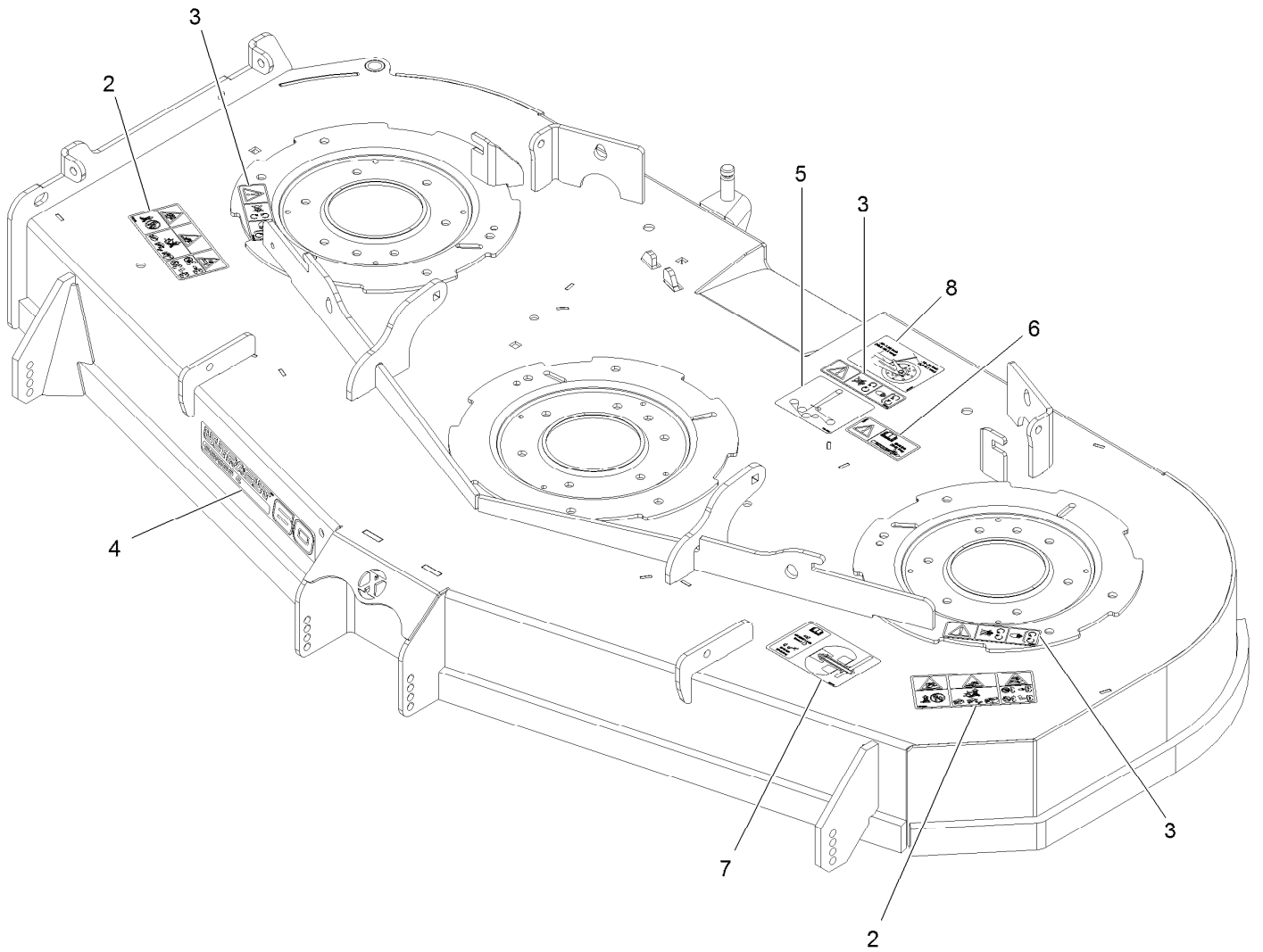
## Deck Assembly (continued)

<i>Ref.</i>	<i>Part Number</i>	<i>Qty.</i>	<i>Description</i>	<i>Ref.</i>	<i>Part Number</i>	<i>Qty.</i>	<i>Description</i>
1	142-2416	1	ASM, 60" Deck W/ Decals	25	3231-22	4	Bolt-Carriage 3/8-16 X 1
2	116-3344	3	ASM-Cutter Hsg With Bearings	26	322-2	1	Screw-HH 5/16-18 X 5/8
2:2	116-0720	2	Bearing-Ball	27	104-8300	4	Nut-Nyloc 5/16-18 Flg
2:3	116-3312	1	Spacer-Bearing	28	104-8301	11	Nut-Nyloc 3/8-16 Flg
3	116-3341	3	ASM-Spindle And Seal	29	116-9981	2	Kit, Anti-Scalp Roller
4	103-6388	3	Blade, Low Lift ●	30	109-7188	1	ASM,Discharge Chute
4	103-6393	3	Blade, Mulching ■	30:1	109-2738	1	Chute, Discharge
4	103-6383	3	Blade, Solid ●	30:2	109-8675-01	1	Bracket,Discharge Chute
4	103-6403	3	Blade, Notched	30:3	3231-22	3	Bolt-Carriage 3/8-16 X 1
4	116-5174	3	Blade-Extreme 2, 20.50" ●	30:4	109-6658	3	Nut-Nyloc 3/8-16 Flg
5	103-3037	3	Bushing, Splined	31	3231-7	2	Bolt-Carriage 3/8-16 X 2 1/4
6	109-9220	3	Screw-Sems 1/2-20 X 2.19	32	109-6936	1	Cover-Belt, LH
7	116-1286	3	Guard,Bearing Top .989	33	109-6935	1	Cover-Belt, RH
8	116-5614-01	1	Dogleg - Lz60	35	98-5967	1	Spacer-Wheel
9	116-0676	3	Sheave,Blade Drive 7.25	36	1-603299	2	Roller-Scalp, Anti
10	103-2802	3	Washer-Spring Disc 3/4	37	108-5388	1	Screw-HH 3/8-16 X 7 3/8
11	116-7306	3	Nut-Hex	38	135-7735	2	Wireform, Belt Cover
12	109-2872	2	Spacer-Pulley	39	135-5023	1	Guide, Belt
13	135-1937	1	ASM, Deck Idler	40	126-1680	1	Screw-Hfh
14	3231-37	1	Bolt-Carriage 3/8-16 X 4	41	62-6660	1	Spacer
15	126-9195	1	Shield-Guard, Dust	43	98-5975	2	Washer-Spring Disc 3/8
16	126-9196	1	Idler-Pulley, Flat	45	103-8415	2	Roller-Anti-Scalp
17	126-7685	1	Idler-Pulley	46	116-8131	2	Axle, Roller
18	126-9187	1	Pulley-Idler, Flat	47	116-9362	2	Screw-HH 3/8-16 X 3 3/4 GR 8
19	135-4711	1	Belt, 5V	48	3256-4	1	Washer-3/8 Std
20	103-2916	1	Guard-Top	49	135-6287-03	1	Brkt, Heat Deflector
21	116-6317	1	Spring-Extension	50	135-6358	1	Shield, Heat
22	110-1718	1	Screw-Hex Flange 3/8-16 X 3/4	51	3231-21	2	Bolt-Carriage 3/8-16 X 3/4
23	126-8043	2	Shield-Dust	52	3234-29	3	Screw-HH Flg 5/16-18 X 1
24	109-6658	23	Nut-Nyloc 3/8-16 Flg	53	135-7122-03	1	Brkt-Heat Deflector, Top

● Optional Equipment

■ Requires installation of mulch kit for proper mulching. See your Exmark dealer for details.

# Deck W/Decals Assembly

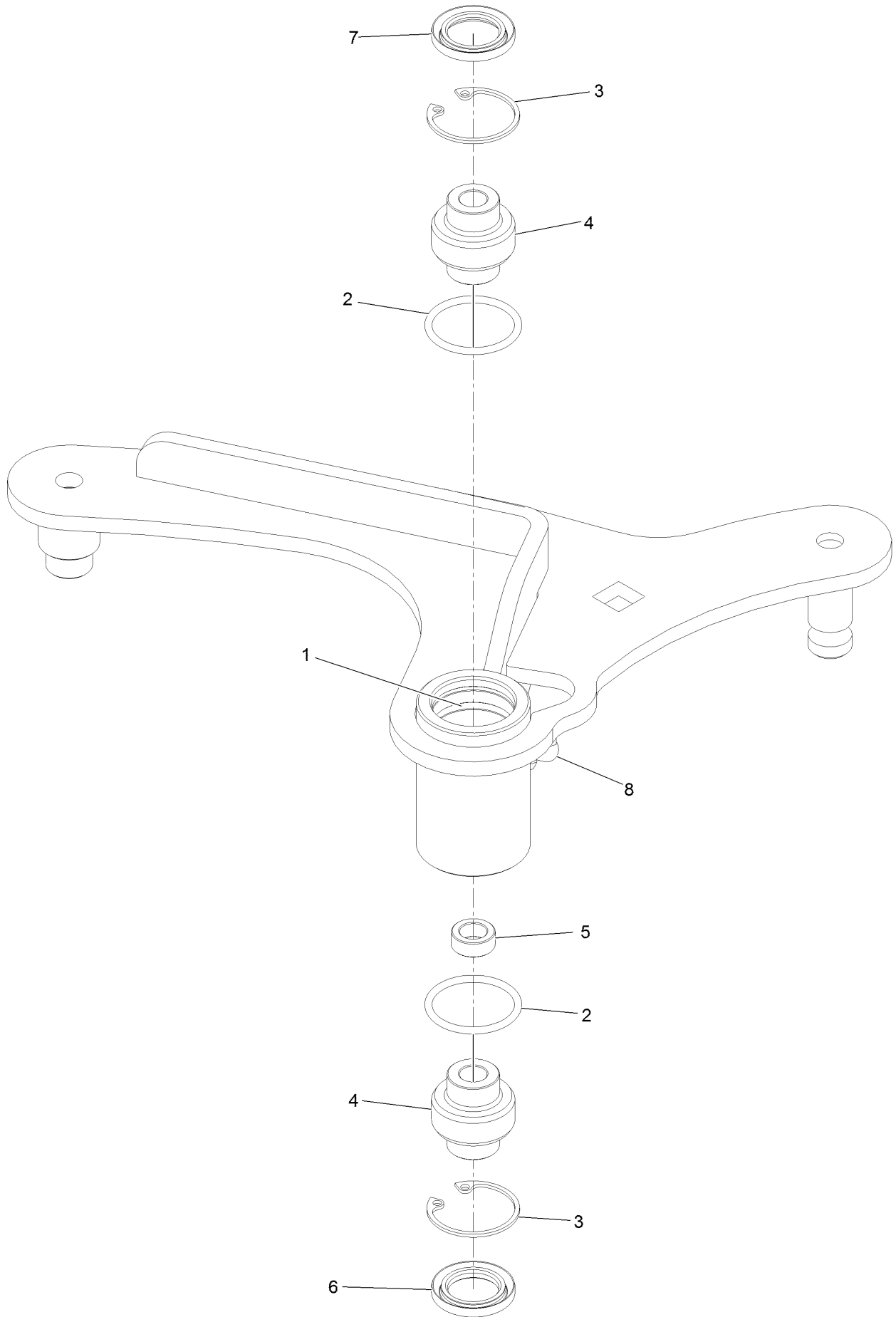




## Deck W/Decals Assembly (continued)

<i>Ref.</i>	<i>Part Number</i>	<i>Qty.</i>	<i>Description</i>	<i>Ref.</i>	<i>Part Number</i>	<i>Qty.</i>	<i>Description</i>
2	135-5210	2	Decal-Warning Thrown Obj	6	116-8283	1	Decal-Torque, Bolt
3	112-9028	3	Decal-Cover, Missing	7	126-0898	1	Decal-Roller Mounting
4	126-6589	1	Decal, 604	8	142-3157	1	Decal-Belt Guide Dist
5	116-8727	1	Decal-Belt Routing				

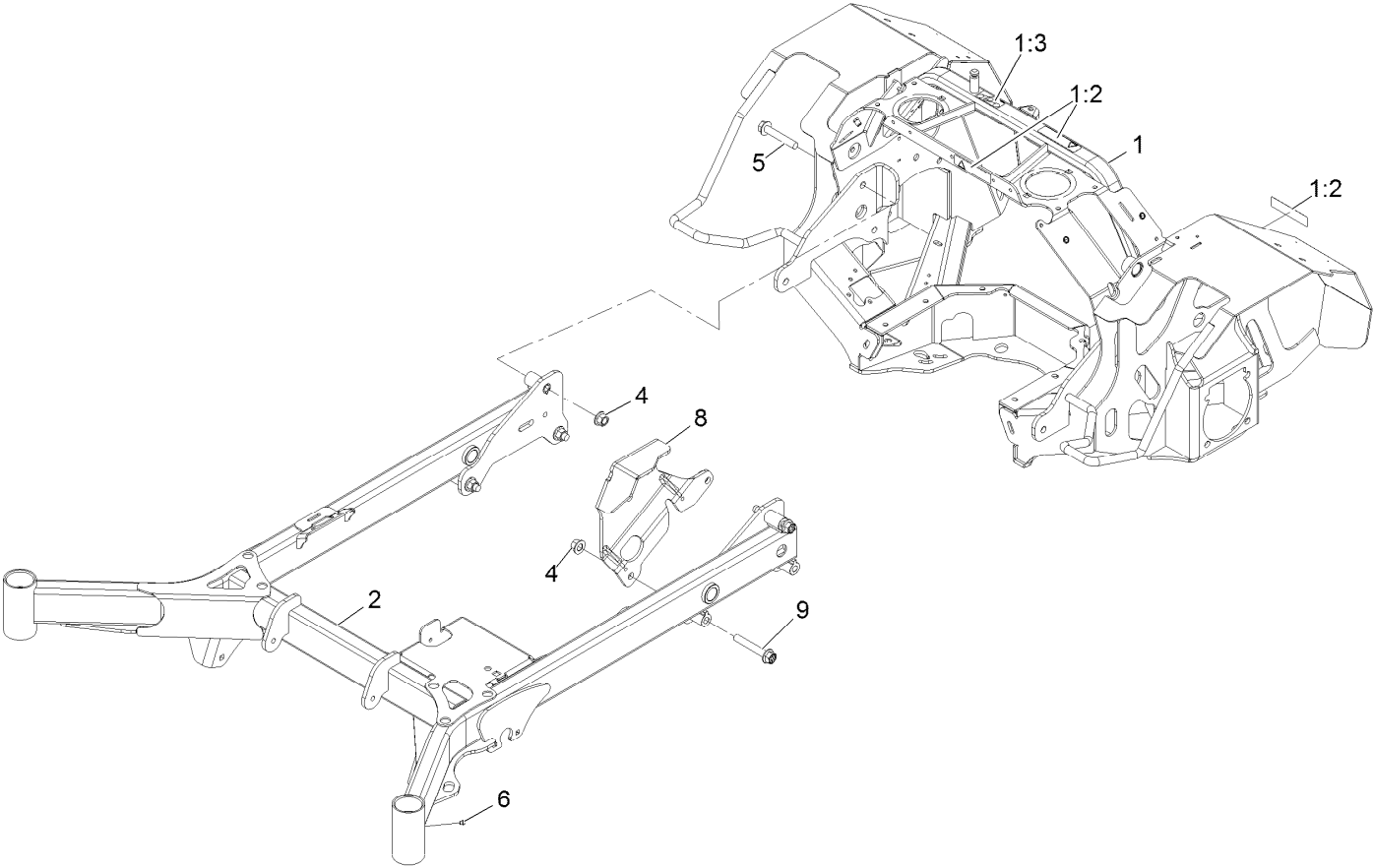
# Idler Arm Assembly



## Idler Arm Assembly (continued)

<i>Ref.</i>	<i>Part Number</i>	<i>Qty.</i>	<i>Description</i>	<i>Ref.</i>	<i>Part Number</i>	<i>Qty.</i>	<i>Description</i>
1	135-1936-03	1	Weld, Idler Arm	5	103-5677	1	Spacer
2	106-7159	2	O-Ring	6	103-3505	1	Seal-Lip, Double
3	32120-10	2	Ring-Retaining	7	103-3506	1	Seal-Single Lip
4	103-3504	2	Bearing-Spherical	8	302-40	1	Zerk-90° 1/4-28

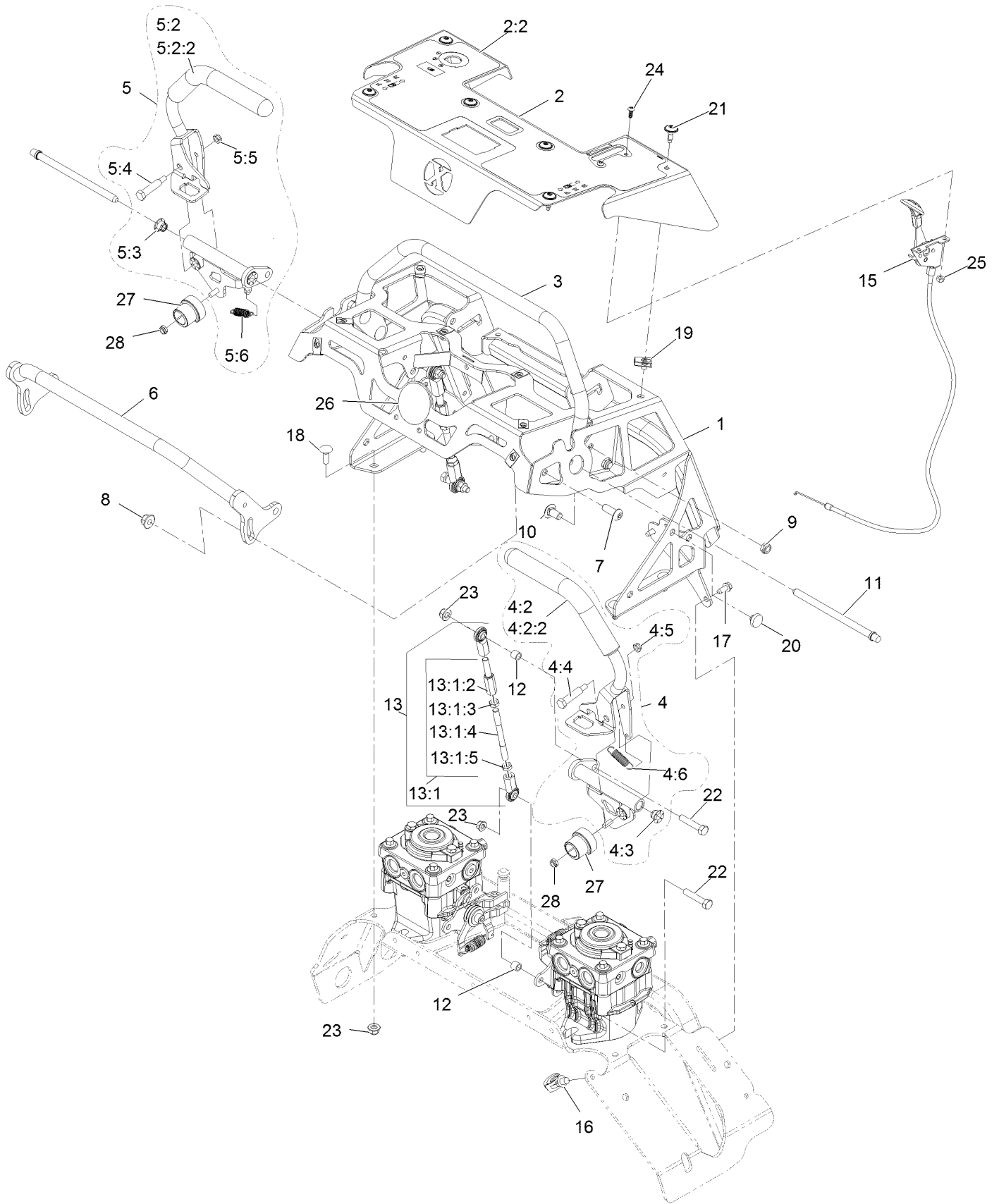
# Main Frame Assembly



## Main Frame Assembly (continued)

<i>Ref.</i>	<i>Part Number</i>	<i>Qty.</i>	<i>Description</i>	<i>Ref.</i>	<i>Part Number</i>	<i>Qty.</i>	<i>Description</i>
1	142-2409	1	ASM, Rear Frame W/ Decals	4	99-5107	6	Nut-Lock 1/2-13
1:2	98-1977	3	Decal-Warning	5	3234-40	4	Screw-HF
1:3	135-2267	1	Decal-Belt Routing HYD	6	1-811010	2	Plug
2	135-1943-01	1	Weld, Front Frame, 60	8	135-6756-03	1	Weld, Fuel Module
				9	135-7112	2	Screw-HHF

# Controls Assembly

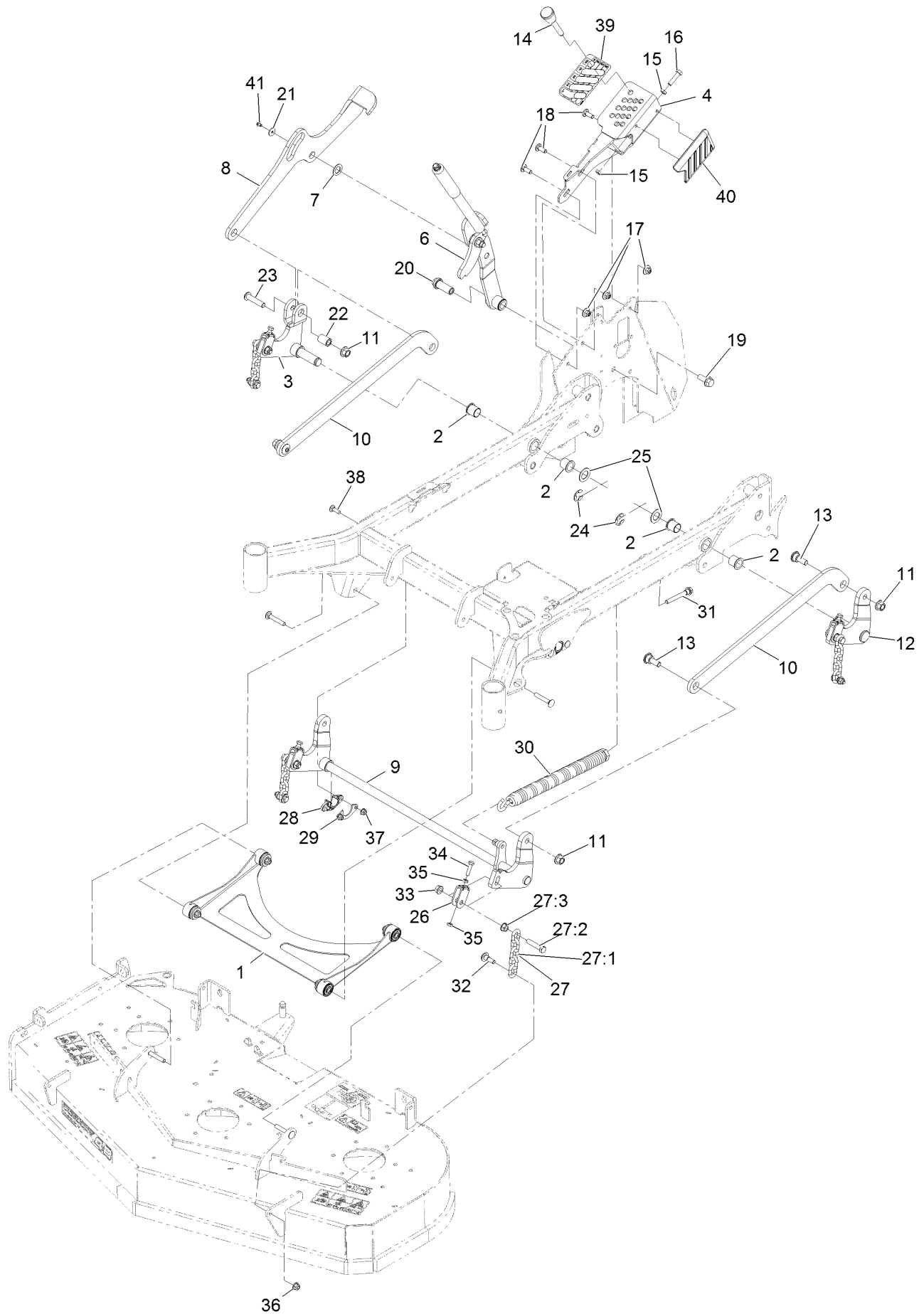


## Controls Assembly (continued)

<i>Ref.</i>	<i>Part Number</i>	<i>Qty.</i>	<i>Description</i>	<i>Ref.</i>	<i>Part Number</i>	<i>Qty.</i>	<i>Description</i>
1	135-4142	1	ASM, Control Tower W/ Decal	8	104-8301	2	Nut-Nyloc 3/8-16 Flg
2	142-2418	1	ASM, Control Panel W/ Decal	9	3296-59	4	Nut-Nyloc 3/8-16 Thin
2:2	135-6772	1	Decal-Control Panel EFI	10	3231-21	4	Bolt-Carriage 3/8-16 X 3/4
3	135-3430-03	1	Weld, Rear Ref Bar	11	135-1277	2	Pin, Pivot
4	135-1304	1	ASM, Motion Control, Lt	12	1-633545	4	Spacer
4:2	135-2546	1	ASM, Lt Control Lever W/ Grip	13	135-7116	2	ASM, Linkage
4:2:2	135-3301	1	Grip, Drive Lever	13:1		1	ASM, Motion Control Link ●
4:3	135-6412	4	Bearing, Igus	13:1:2	116-4755	1	Rod-Adjustment
4:4	121-1229	1	Bolt-Shoulder	13:1:3	3220-16	1	Nut-Jam 3/8-24 LH
4:5	3296-56	1	Nut-Nyloc 1/4-20 Thin	13:1:4	135-1291	1	Link, Motion Control
4:6	114-0249	1	Spring-Extension	13:1:5	3220-3	1	Nut-Jam 3/8-24
5	135-1305	1	ASM, Motion Control, Rt	15	135-4352	1	Cable, Throttle
5:2	135-2547	1	ASM, Rt Control Lever W/ Grip	16	32180-030	1	Clip-Tie
5:2:2	135-3301	1	Grip, Drive Lever	17	32144-10	4	Screw-HWH 1/4-20 X .62
5:3	135-6412	4	Bearing, Igus	18	3230-16	4	Bolt-Carriage 5/16-18 X 7/8
5:4	121-1229	1	Bolt-Shoulder	19	107069	8	Nut-Retainer-Panel 1/4-20
5:5	3296-56	1	Nut-Nyloc 1/4-20 Thin	20	1-513658	2	Bumper
5:6	114-0249	1	Spring-Extension	21	135-3494	6	Screw, Torx
6	135-3432-03	1	Weld, Front Ref Bar	22	322-8	4	Screw-HH
7	3274-94	2	Screw-Button Head 3/8-16 X 1	23	104-8300	8	Nut-Nyloc 5/16-18 Flg
				24	135-3176	2	Screw, BHCS
				25	3296-2	2	Nut-Nyloc #10-24
				26	135-2281	1	Decal-Cover
				27	126-1499	2	Cam
				28	3296-56	2	Nut-Nyloc 1/4-20 Thin

● Not serviced separately

# Deck Lift Assembly

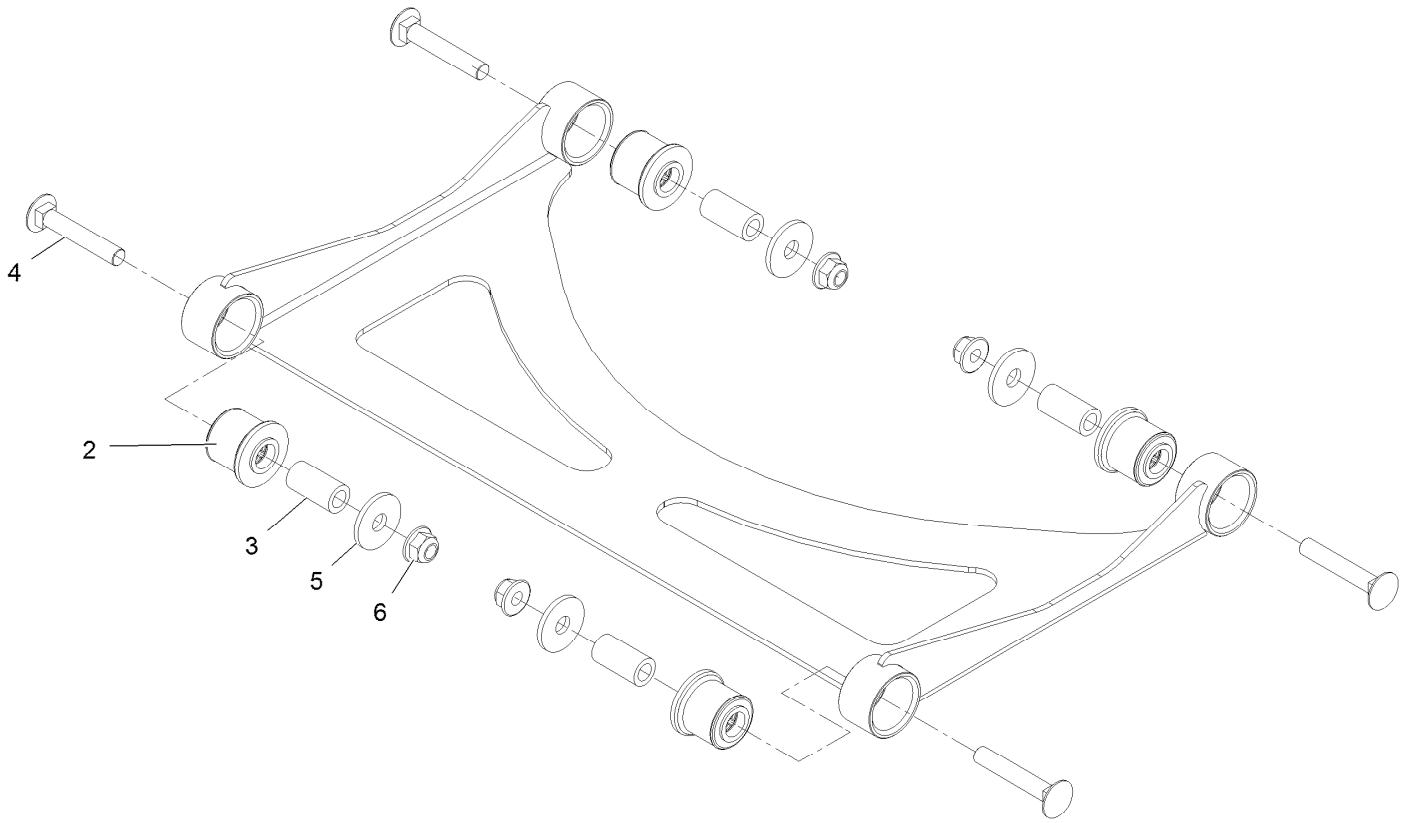




## Deck Lift Assembly (continued)

<i>Ref.</i>	<i>Part Number</i>	<i>Qty.</i>	<i>Description</i>	<i>Ref.</i>	<i>Part Number</i>	<i>Qty.</i>	<i>Description</i>
1	142-3574	1	ASM, Deck Strut	24	32151-103	2	E-Ring
2	135-1248	4	Bushing, Igus	25	119-2332	2	Washer-Flat
3	135-4586-03	1	Weld, Bellcrank, Rt	26	109-9066	4	Yoke-Adjust, Deck
4	142-2300-03	1	Weld, HOC Index	27	116-0756	4	Deck Lift Chain ASM
6	135-7940	1	ASM, HOC Lever	27:1	1-633447	1	Chain-Lift, Deck
7	119-7640	1	Washer-Thrust	27:2	109-9065	1	Screw-HH 7/16-14 X 2
8	135-7782-03	1	Strap, HOC Index	27:3	32128-37	1	Nut-Whizlock 7/16-14
9	135-4585-03	1	Weld, HOC Cross Shaft	28	115-5065	2	Bushing-Flange
10	135-1253-03	2	Strap, HOC Lift	29	116-2887	2	Gusset-Lift, Deck
11	99-5107	4	Nut-Lock 1/2-13	30	116-0886	1	Spring-Extension
12	135-4587-03	1	Weld, Bellcrank	31	92-7674	1	Screw-Shcs 3/8-16 X 2.212
13	135-1259	3	Bolt, Shoulder	32	109-9840	4	Screw-Hex Flange 3/8-16 X .80
14	126-5401	1	Pin-HOC	33	32128-37	4	Nut-Whizlock 7/16-14
15	3218-3	2	Nut-Jam 3/8-16	34	322-47	4	Screw-HH 5/16-18 X 1 1/4
16	323-50	1	Bolt-HH	35	3218-2	8	Nut-Jam 5/16-18
17	109-6658	3	Nut-Nyloc 3/8-16 Flg	36	104-8301	4	Nut-Nyloc 3/8-16 Flg
18	3231-22	3	Bolt-Carriage 3/8-16 X 1	37	104-8300	4	Nut-Nyloc 5/16-18 Flg
19	3234-38	1	Screw-HHF	38	3230-2	4	Bolt-Carriage 5/16-18 X 1
20	142-2181	1	Pivot, HOC Lever	39	135-2280	1	Decal-Height Of Cut
21	3256-67	1	Washer	40	135-5337	1	Pad, Knee
22	135-3944	1	Spacer, HOC	41	142-2216	1	Screw, 1/4-20 X 3/8 PH Torx
23	135-3945	1	Screw-HSBH				

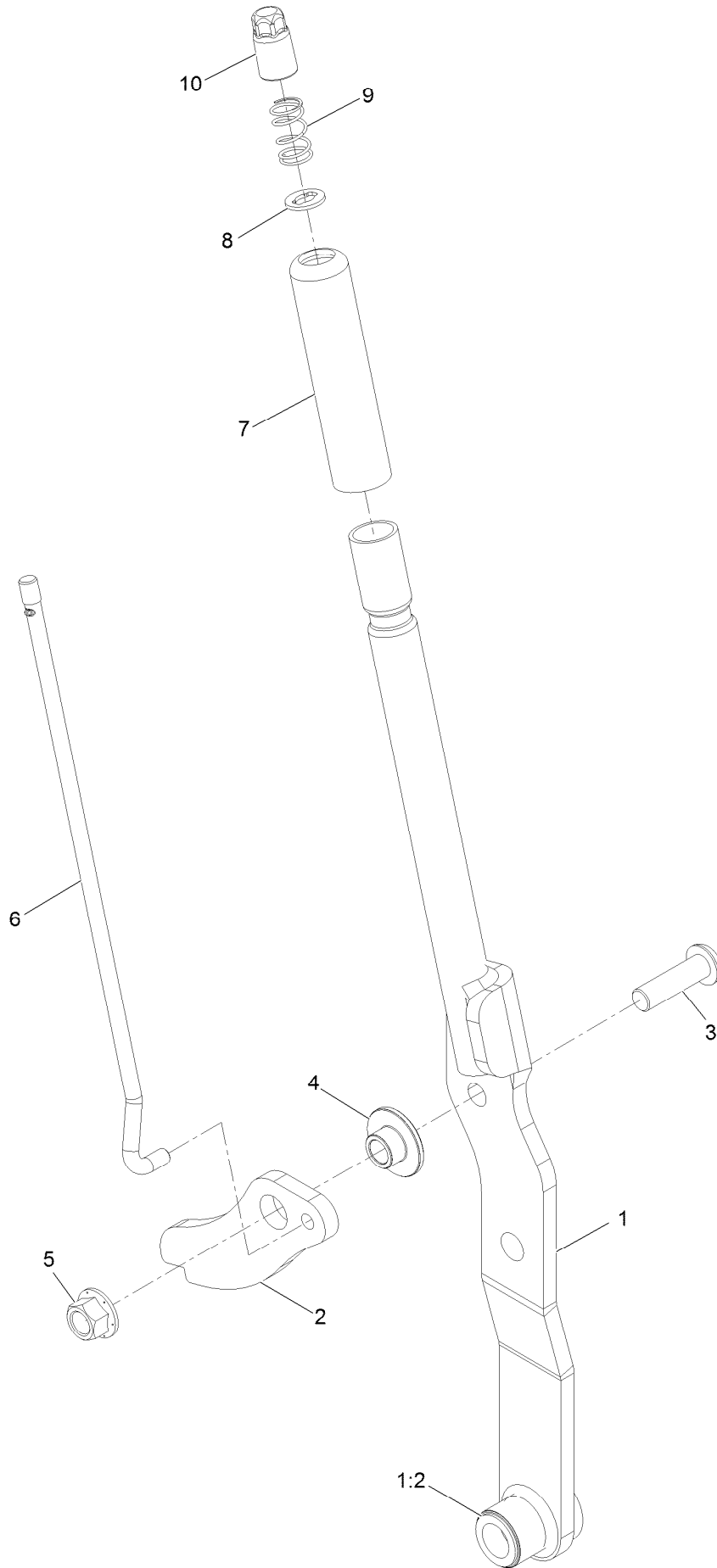
# Deck Strut Assembly



## Deck Strut Assembly (continued)

<i>Ref.</i>	<i>Part Number</i>	<i>Qty.</i>	<i>Description</i>	<i>Ref.</i>	<i>Part Number</i>	<i>Qty.</i>	<i>Description</i>
2	137-4108	4	Bushing-Rubber	5	2844	4	Washer
3	108-6544	4	Spacer	6	104-8301	4	Nut-Nyloc 3/8-16 Flg
4	3231-7	4	Bolt-Carriage 3/8-16 X 2 1/4				

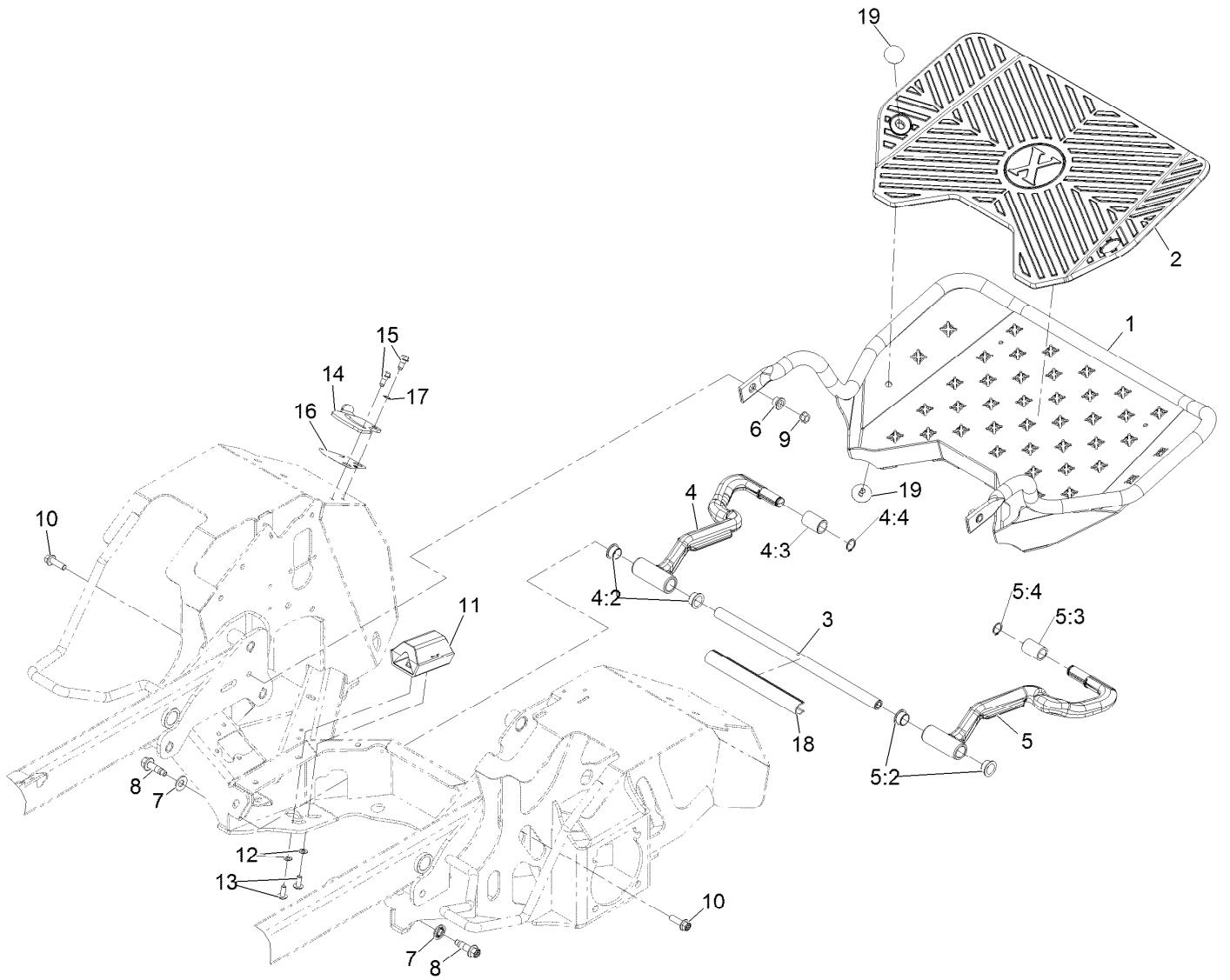
# Height of Cut Lever Assembly



## Height of Cut Lever Assembly (continued)

<i>Ref.</i>	<i>Part Number</i>	<i>Qty.</i>	<i>Description</i>	<i>Ref.</i>	<i>Part Number</i>	<i>Qty.</i>	<i>Description</i>
1	135-7939	1	ASM, HOC Lever W/ Bushings	5	99-5107	1	Nut-Lock 1/2-13
1:2	109-8054	2	Bushing-Flanged	6	135-1260	1	Linc, HOC
2	135-1209	1	Arm, Transport Lock	7	115-3592	1	Grip
3	108-1993	1	Screw-HSBH	8	114-1207	1	Washer-Special
4	135-3954	1	Spacer	9	114-8187	1	Spring-Compression
				10	135-7809	1	Button, Push

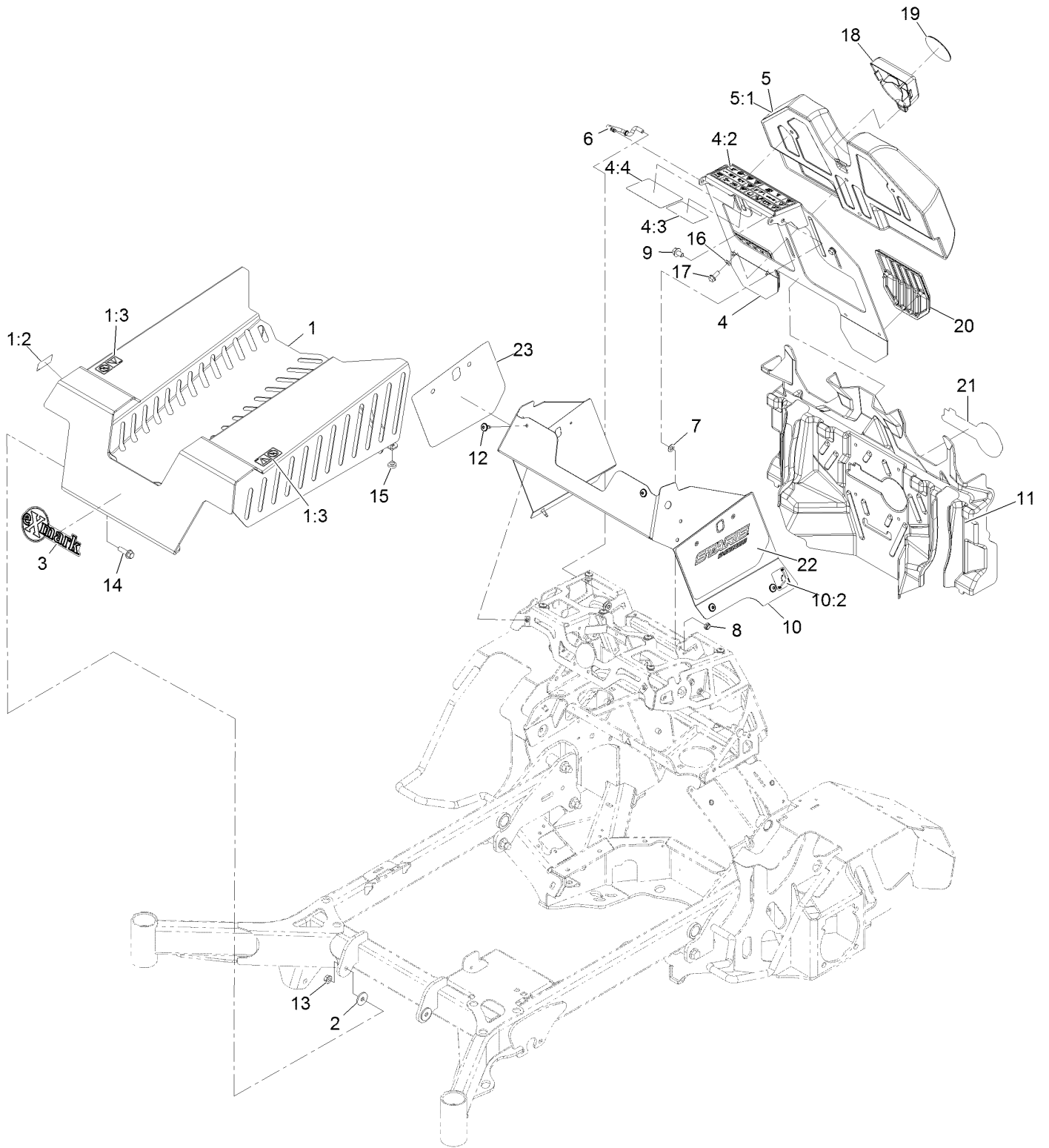
# Platform Assembly



## Platform Assembly (continued)

<i>Ref.</i>	<i>Part Number</i>	<i>Qty.</i>	<i>Description</i>	<i>Ref.</i>	<i>Part Number</i>	<i>Qty.</i>	<i>Description</i>
1	142-2748-05	1	Weld, Platform	9	32128-21	2	Nut-3/8-16 Flanged Side Lock
2	142-3129	1	Mat, Platform	10	135-4712	2	Screw, HHF
3	135-1336	1	Shaft, Cross	11	135-3993	2	Bumper
4	135-2237	1	ASM, Rt Arm W/ Bushings	12	3255-8	4	Washer-Lock 5/16 (Ext-Tooth)
4:2	109-8054	2	Bushing-Flanged	13	126-6268	4	Screw-Truss HD 5/16-18 X 3/4 Torx Plus
4:3	135-6438	1	Bushing, Sleeve	14	142-2492-03	1	Latch, Platform
4:4	32120-72	1	Ring-Snap	15	126-4424	2	Screw-Shoulder
5	135-2236	1	ASM, Lt Arm W/ Bushings	16	135-5206	1	Decal-Latch Lock
5:2	109-8054	2	Bushing-Flanged	17	142-2432	1	Washer, Wave
5:3	135-6438	1	Bushing, Sleeve	18	135-7563	1	Keeper
5:4	32120-72	1	Ring-Snap	19	142-3247	4	Rivet-Ratchet
6	109-8788	2	Bushing-Flanged				
7	1-603610	2	Washer-Spring Disc 7/16				
8	135-7001	2	Screw-HHF				

# Guarding Assembly

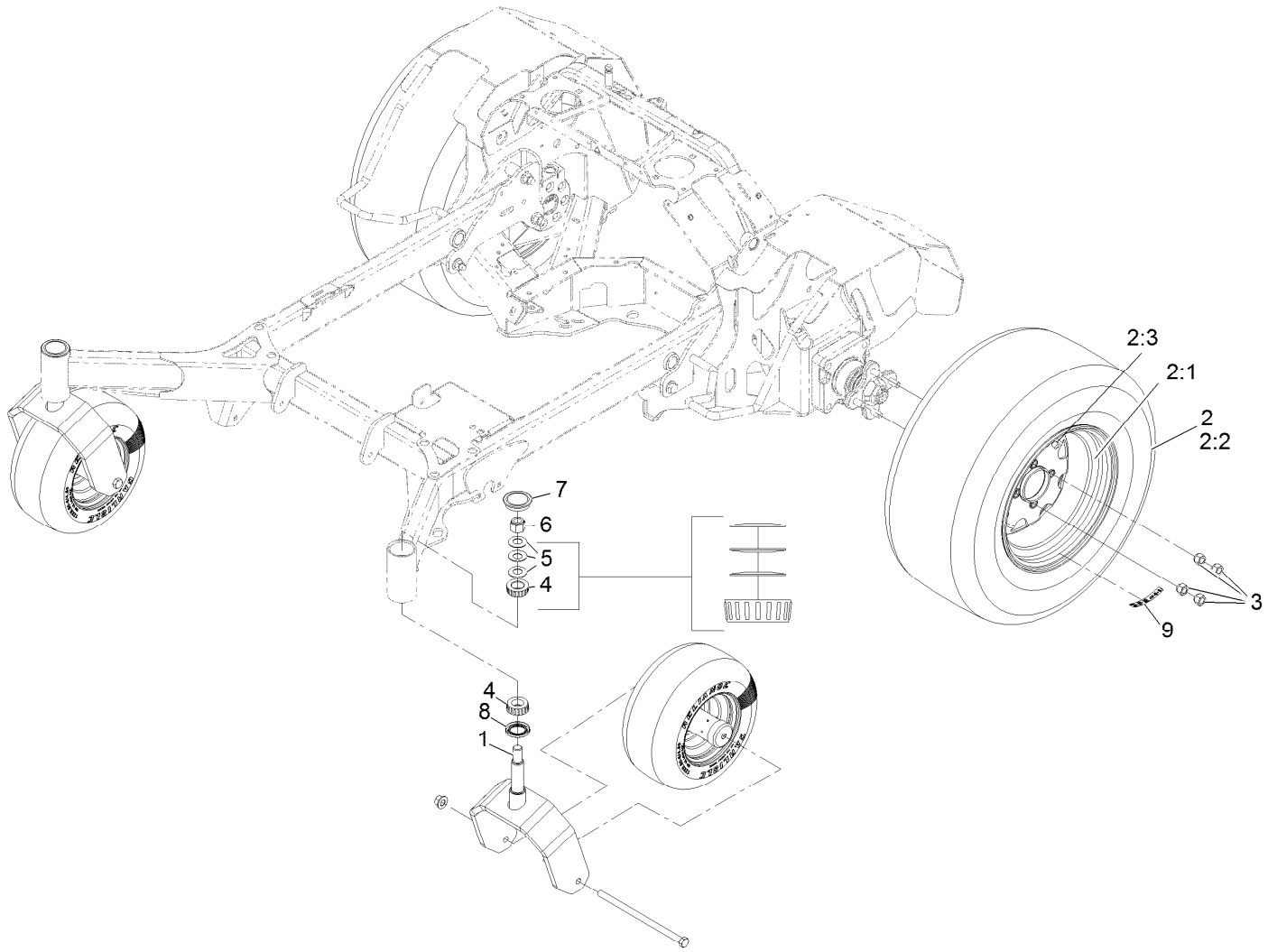




## Guarding Assembly (continued)

<i>Ref.</i>	<i>Part Number</i>	<i>Qty.</i>	<i>Description</i>	<i>Ref.</i>	<i>Part Number</i>	<i>Qty.</i>	<i>Description</i>
1	135-2163	1	ASM, Front Cover W/ Decals	10	135-2164	1	ASM, Tower Skin W/ Decals
1:2	106-5517	1	Decal-Warning	10:2	116-5988	1	Decal-Park Brake, CE
1:3	119-6807	2	Decal-Warning	11	142-2889	1	Panel, Heat Deflector
2	107675	2	Washer	12	135-3494	6	Screw, Torx
3	126-6877	1	Decal, Exmark Logo	13	32128-21	2	Nut-3/8-16 Flanged Side Lock
4	135-2162	1	ASM, Pad Backing W/ Decals	14	119-4061	2	Screw-HHF
4:2	135-2412	1	Decal-Warning	15	1-513658	2	Bumper
4:3	116-8253	1	Decal-Drive Release	16	3290-475	3	Washer-Belleville
4:4	135-2266	1	Decal-Service Aid	17	100-1668	3	Screw-HHF
5	135-1320	1	Pad, Thigh	18	135-2596	1	Insert, Pad
5:1	135-6556	1	Cover, Pad	19	135-2714	1	Decal-X Logo Badge 3 In
6	135-1611	1	Rod, Prop	20	135-5107	2	Pad, Knee
7	131-8667	2	Washer-Thrust	21	135-7280	1	Decal-Exmark Logo
8	3296-59	2	Nut-Nyloc 3/8-16 Thin	22	135-6809	1	Decal-Staris Logo Lt
9	3234-9	2	Screw-HHF	23	135-6810	1	Decal-Staris Logo Rt

# Drive Wheel Assembly

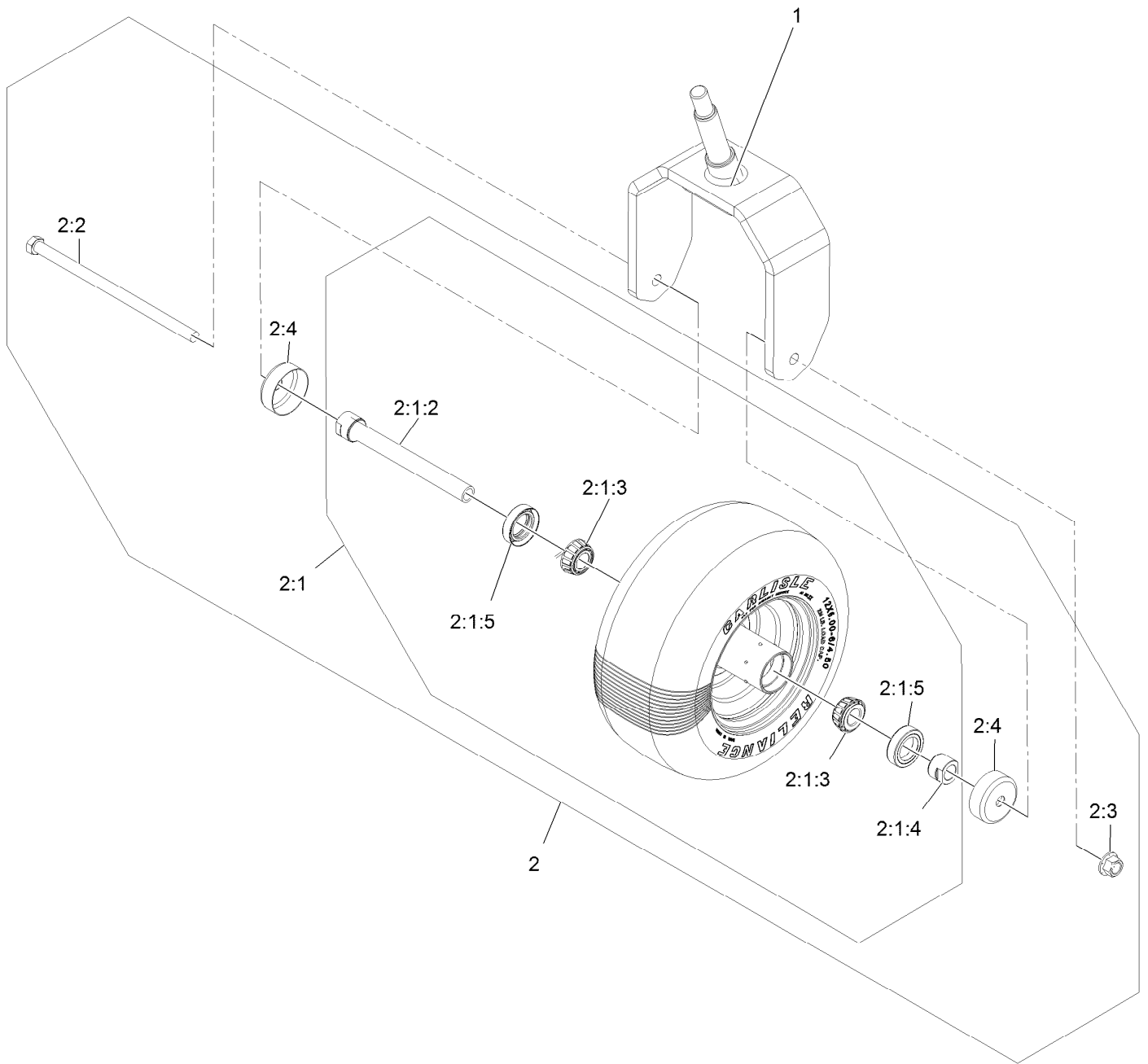


## Drive Wheel Assembly (continued)

<i>Ref.</i>	<i>Part Number</i>	<i>Qty.</i>	<i>Description</i>	<i>Ref.</i>	<i>Part Number</i>	<i>Qty.</i>	<i>Description</i>
1		2	ASM, Caster, 12X6-6●	5	1-633508	6	Washer-Spring Disc
2	135-2175	2	ASM, Wheel And Tire	6	3296-51	2	Nut-Nyloc 3/4-10
2:1	135-2172	1	Rim, 12 X 8.5	7	103-4882	2	Cap-Grease
2:2	135-2173	1	Tire, 23 X 10.50-12	8	116-5647	2	Seal-Grease
2:3	232-27	1	Stem-Valve	9	126-2055	2	Decal-Torque, Wheel Hub Lug
3	242-50	8	Nut-Lug 1/2-20				
4	1-543509	4	Cone-Bearing Tapered Roller				

● Not serviced separately

# Caster Wheel Assembly

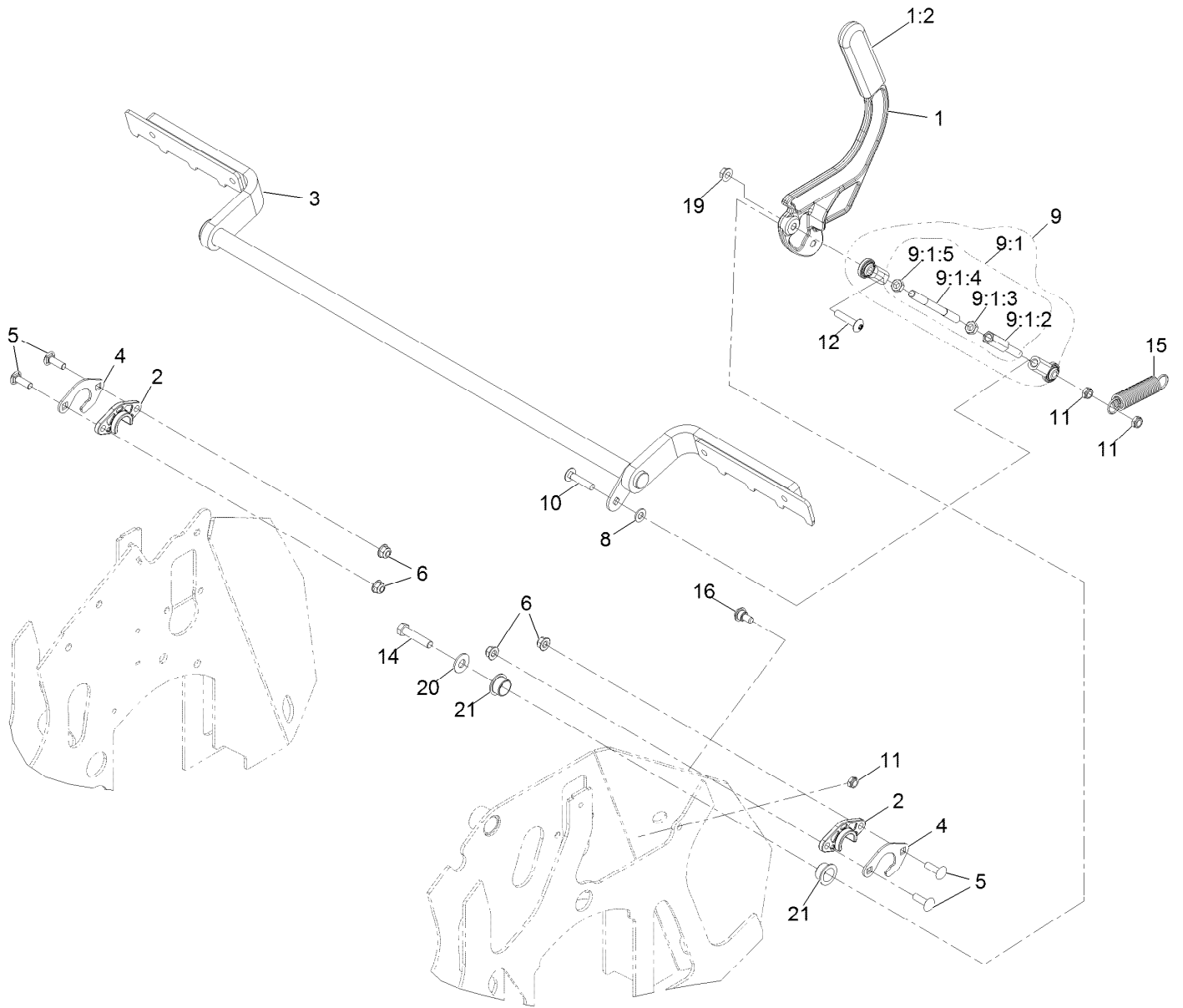


## Caster Wheel Assembly (continued)

<i>Ref.</i>	<i>Part Number</i>	<i>Qty.</i>	<i>Description</i>	<i>Ref.</i>	<i>Part Number</i>	<i>Qty.</i>	<i>Description</i>
1	135-3598-01	1	Weld, Caster Fork	2:1:4	103-3051	1	Spacer-Nut
2	135-2148	1	ASM, Caster W/ Axle	2:1:5	103-0063	2	Seal-Caster
2:1		1	ASM, Caster W/ Bearings ●	2:2	325-39	1	Screw-HH
2:1:2	126-5361	1	Axle Caster ASM	2:3	99-5107	1	Nut-Lock
2:1:3	1-633585	2	Bearing-Cone, Taper	2:4	103-2768	2	Guard-Seal

● Not serviced separately

# Park Brake Assembly

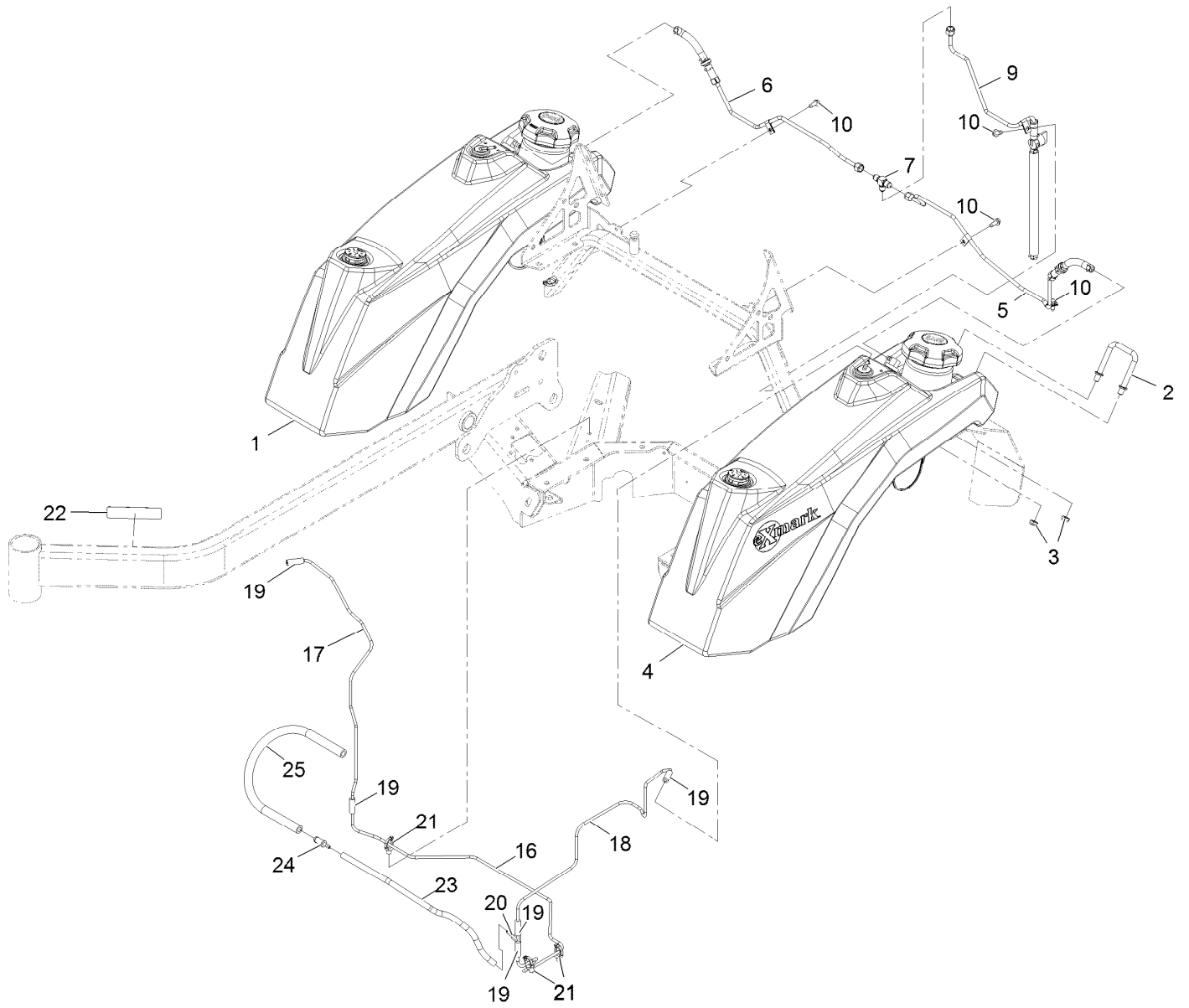


## Park Brake Assembly (continued)

<i>Ref.</i>	<i>Part Number</i>	<i>Qty.</i>	<i>Description</i>	<i>Ref.</i>	<i>Part Number</i>	<i>Qty.</i>	<i>Description</i>
1	142-2413	1	ASM, Brake Lever W/ Grip	9:1:5	3220-3	1	Nut-Jam 3/8-24
1:2	1-633268	1	Grip-Lever	10	3230-4	1	Bolt-Carriage 5/16-18 X 1 1/2
2	115-5065	2	Bushing-Flange	11	3296-47	3	Nut-Nyloc 5/16-18 Thin
3	142-3739-03	1	Weld-Brake Shaft	12	126-7439	1	Screw-Truss HD 5-16-18 X 1 1/2 Torx Plus
4	135-7867	2	Support, Bearing	14	323-52	1	Screw-HH 3/8-16 X 1 3/4
5	3230-22	4	Bolt-Carriage 5/16-18 X 1 Sp	15	1-323161	1	Spring
6	104-8300	4	Nut-Nyloc 5/16-18 Flg	16	120-9471	1	Screw-Shoulder Bh 5/16-18 X 1/2 Tf Torx
8	3256-23	1	Washer-5/16 SAE	19	32128-25	1	Nut-Hex 5/16-18 Side Lock
9	135-7116	1	ASM, Linkage	20	3256-4	1	Washer-3/8 Std
9:1		1	ASM, Motion Control Link ●	21	135-7091	2	Bushing, Igus
9:1:2	116-4755	1	Rod-Adjustment				
9:1:3	3220-16	1	Nut-Jam 3/8-24 LH				
9:1:4	135-1291	1	Link, Motion Control				

● Not serviced separately

# Fuel Assembly

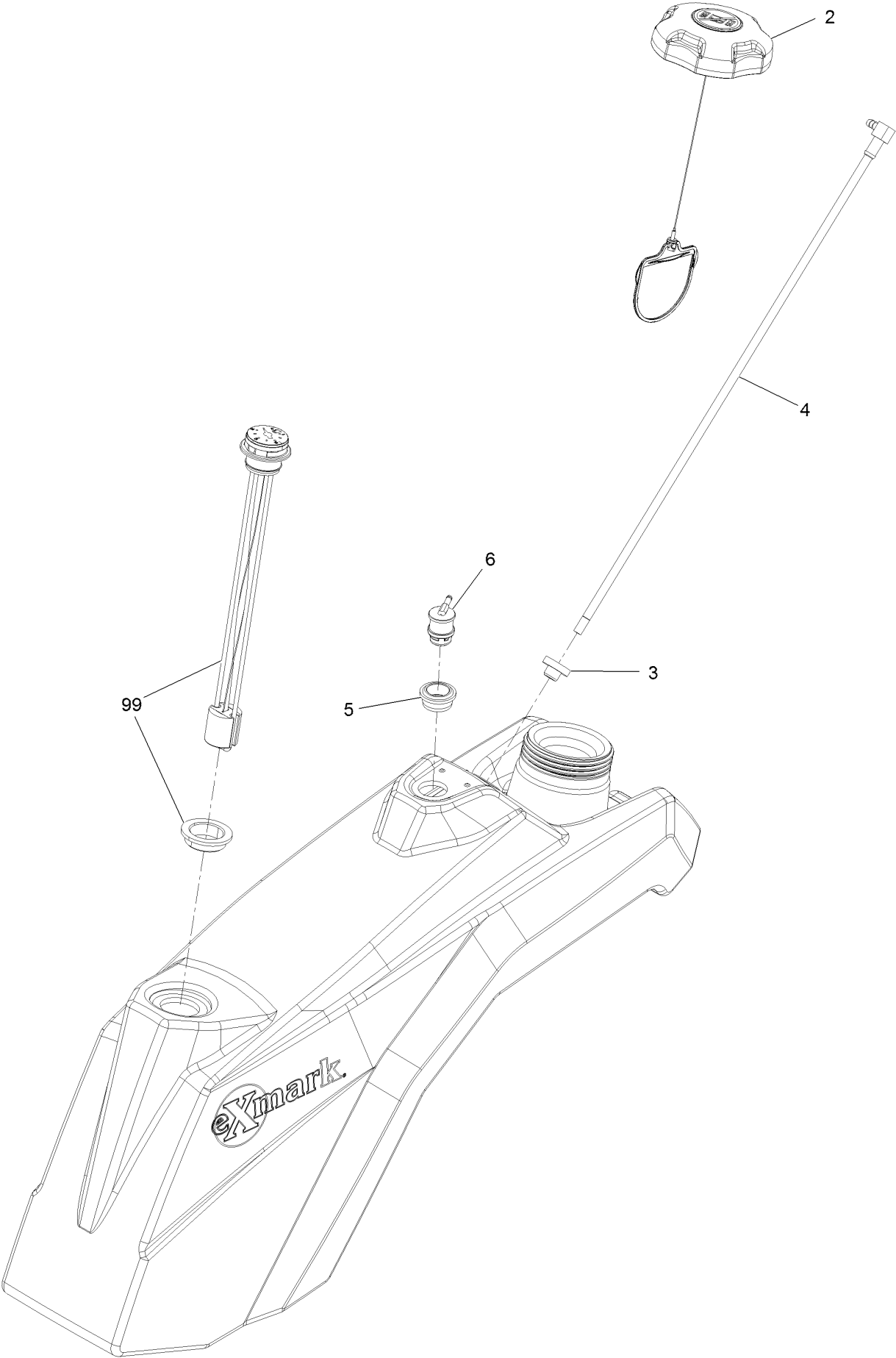




## Fuel Assembly (continued)

<i>Ref.</i>	<i>Part Number</i>	<i>Qty.</i>	<i>Description</i>	<i>Ref.</i>	<i>Part Number</i>	<i>Qty.</i>	<i>Description</i>
1	135-2227	1	ASM, Rt Fuel Tank	17	135-2221	1	Line, Vent, Right
2	135-7299	2	Clamp, Tank	18	135-7097	1	Line, Vent, Left
3	3296-59	4	Nut-Nyloc 3/8-16 Thin	19	51-3216	5	Hose-Fuel
4	135-2225	1	ASM, Lt Fuel Tank	20	135-2222	1	Fitting, 3/16" Y
5	135-2197	1	ASM, Left Fuel Line	21	32180-030	4	Clip-Tie
6	135-2198	1	ASM, Right Fuel Line	22	133-8062	1	Decal-Arrestor, Spark
7	135-2203	1	Fitting, 2603-4-4-4	23	135-3950	1	Hose, Vent
9	135-2201	1	ASM, Koh Fuel Line	24	98-2952	1	Fitting-Straight
10	32144-10	5	Screw-HWH 1/4-20 X .62	25	116-5087	1	Hose-Fuel
16	135-2219	1	Line, Vent, Main				

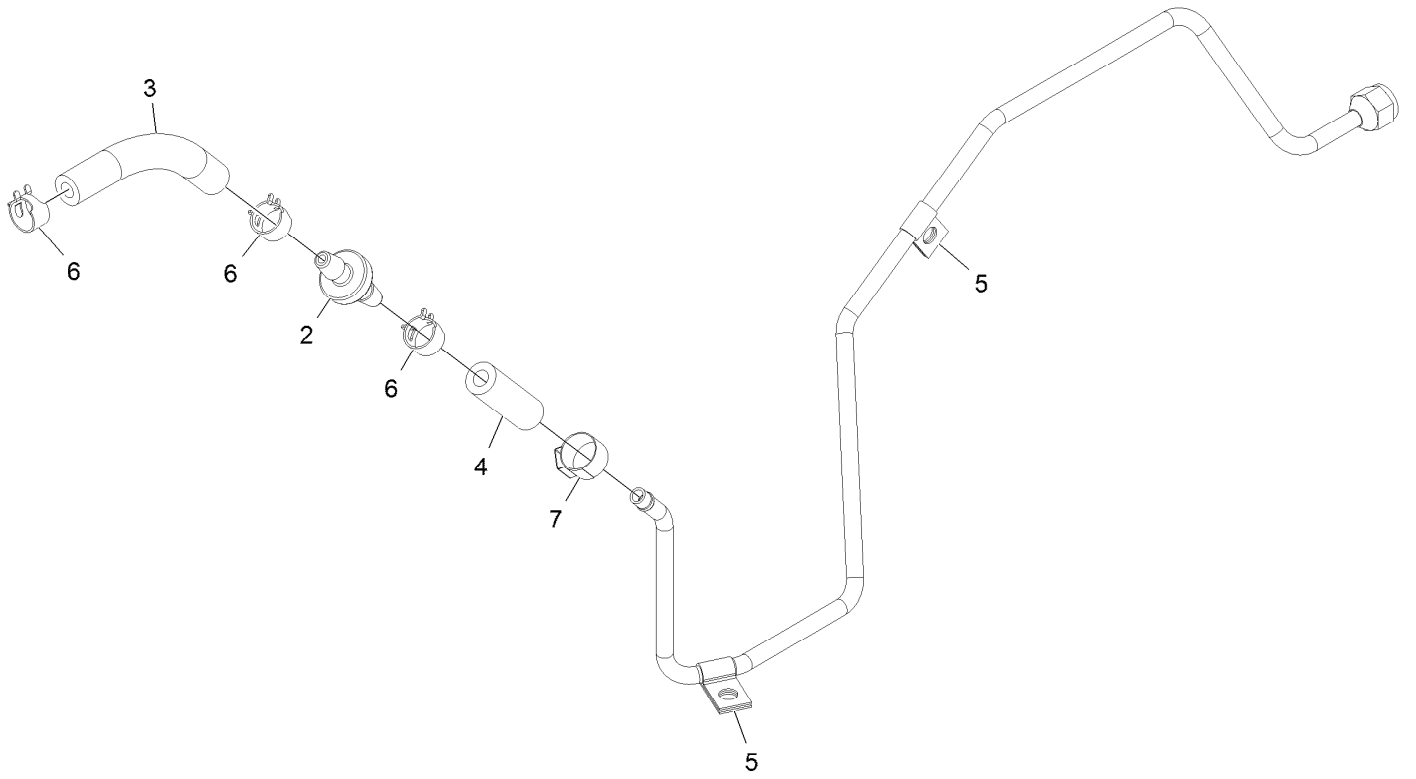
# Left and Right Fuel Tank Assembly



## Left and Right Fuel Tank Assembly (continued)

<i>Ref.</i>	<i>Part Number</i>	<i>Qty.</i>	<i>Description</i>	<i>Ref.</i>	<i>Part Number</i>	<i>Qty.</i>	<i>Description</i>
2	137-4119	1	Cap-Fuel, Ratcheting	5	114-0284	1	Grommet
3	46-6560	1	Bushing	6	119-3547	1	Valve-Vent, Fuel
4	135-1916	1	Straw, Fuel, Short	99	135-3987	1	Kit, Fuel Gauge

# Left Fuel Line Assembly

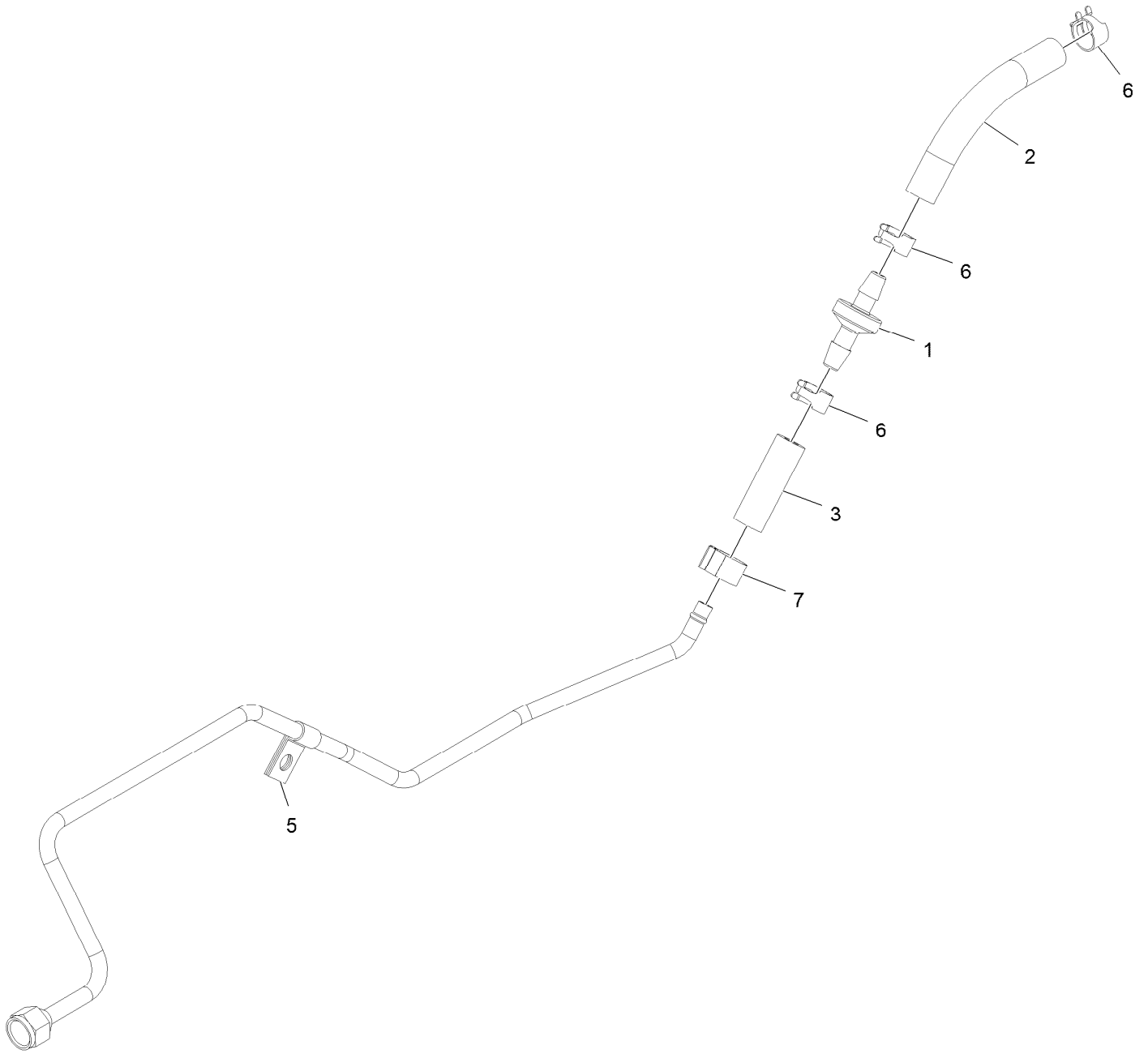


## Left Fuel Line Assembly (continued)

<i>Ref.</i>	<i>Part Number</i>	<i>Qty.</i>	<i>Description</i>	<i>Ref.</i>	<i>Part Number</i>	<i>Qty.</i>	<i>Description</i>
2	99-5000	1	Valve-Check, Fuel	5	2412-72	2	Clip-Closed, Insulated
3	105-8342	1	Hose-Fuel	6	2412-98	3	Clamp-Hose
4		1	Hose-Fuel ●	7		1	Clamp-Hose, Fuel ●

● Not serviced separately

# Right Fuel Line Assembly

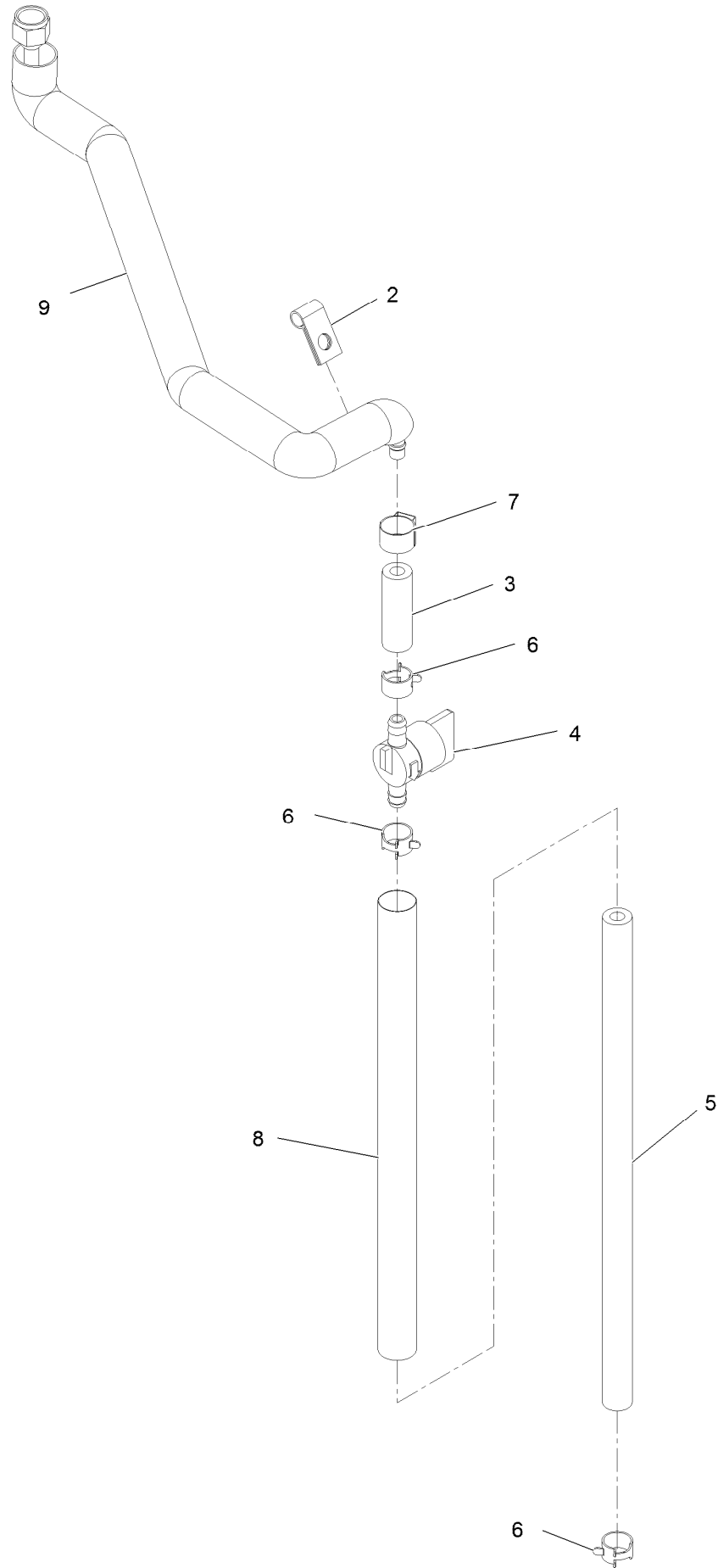


## Right Fuel Line Assembly (continued)

<i>Ref.</i>	<i>Part Number</i>	<i>Qty.</i>	<i>Description</i>	<i>Ref.</i>	<i>Part Number</i>	<i>Qty.</i>	<i>Description</i>
1	99-5000	1	Valve-Check, Fuel	5	2412-72	1	Clip-Closed, Insulated
2	105-8342	1	Hose-Fuel	6	2412-98	3	Clamp-Hose
3		1	Hose-Fuel ●	7		1	Clamp-Hose, Fuel ●

● Not serviced separately

# Fuel Line Assembly



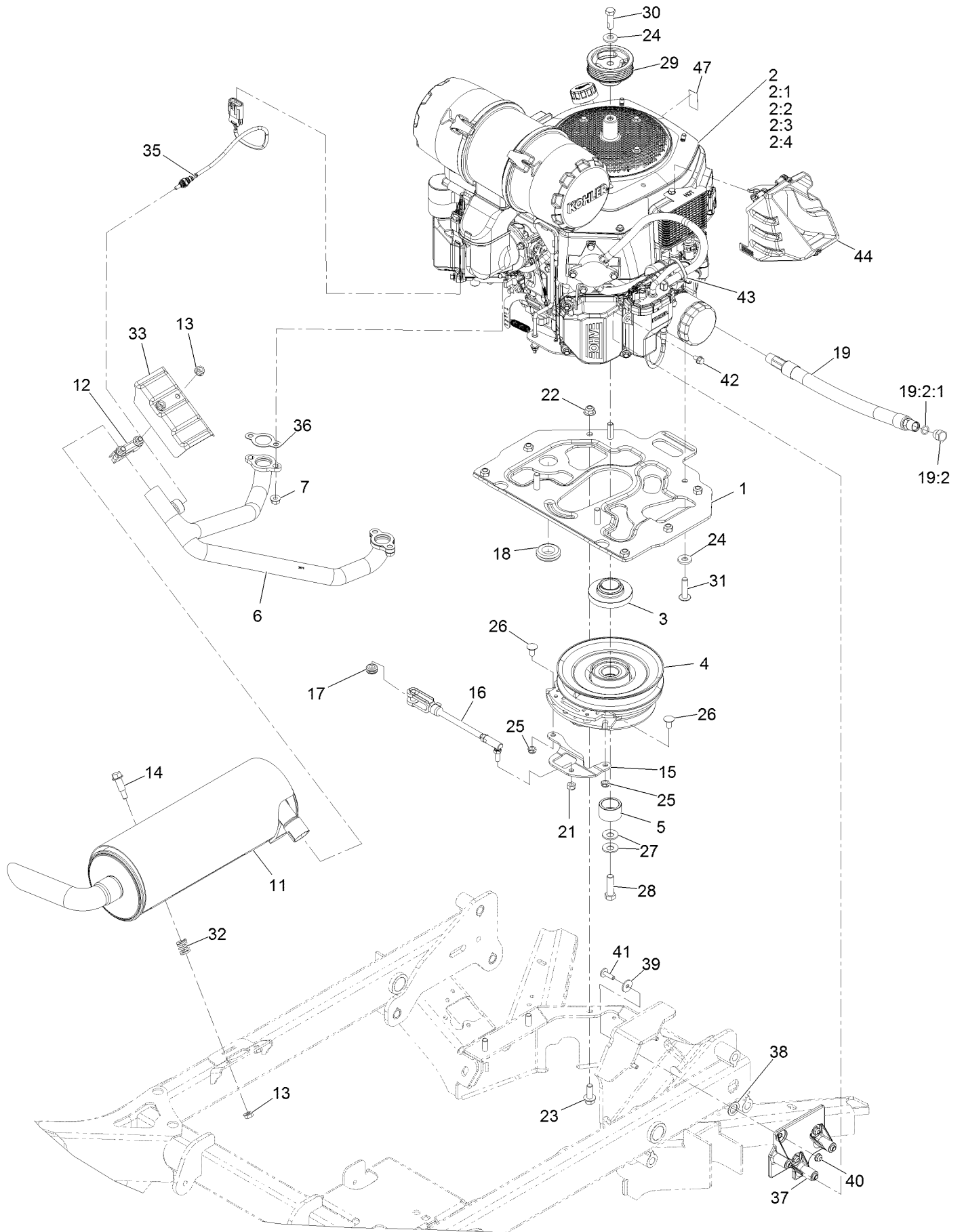


## Fuel Line Assembly (continued)

<i>Ref.</i>	<i>Part Number</i>	<i>Qty.</i>	<i>Description</i>	<i>Ref.</i>	<i>Part Number</i>	<i>Qty.</i>	<i>Description</i>
2	2412-72	1	Clip-Closed, Insulated	6	2412-98	3	Clamp-Hose
3		1	Hose-Fuel ●	7		1	Clamp-Hose, Fuel ●
4	1-603770	1	Valve-Fuel	8	135-6549	1	Sleeve, Thermal
5	109-0282	1	Hose-Fuel	9	121-4404	1	Sleeve-Thermal,

● Not serviced separately

# Engine Assembly



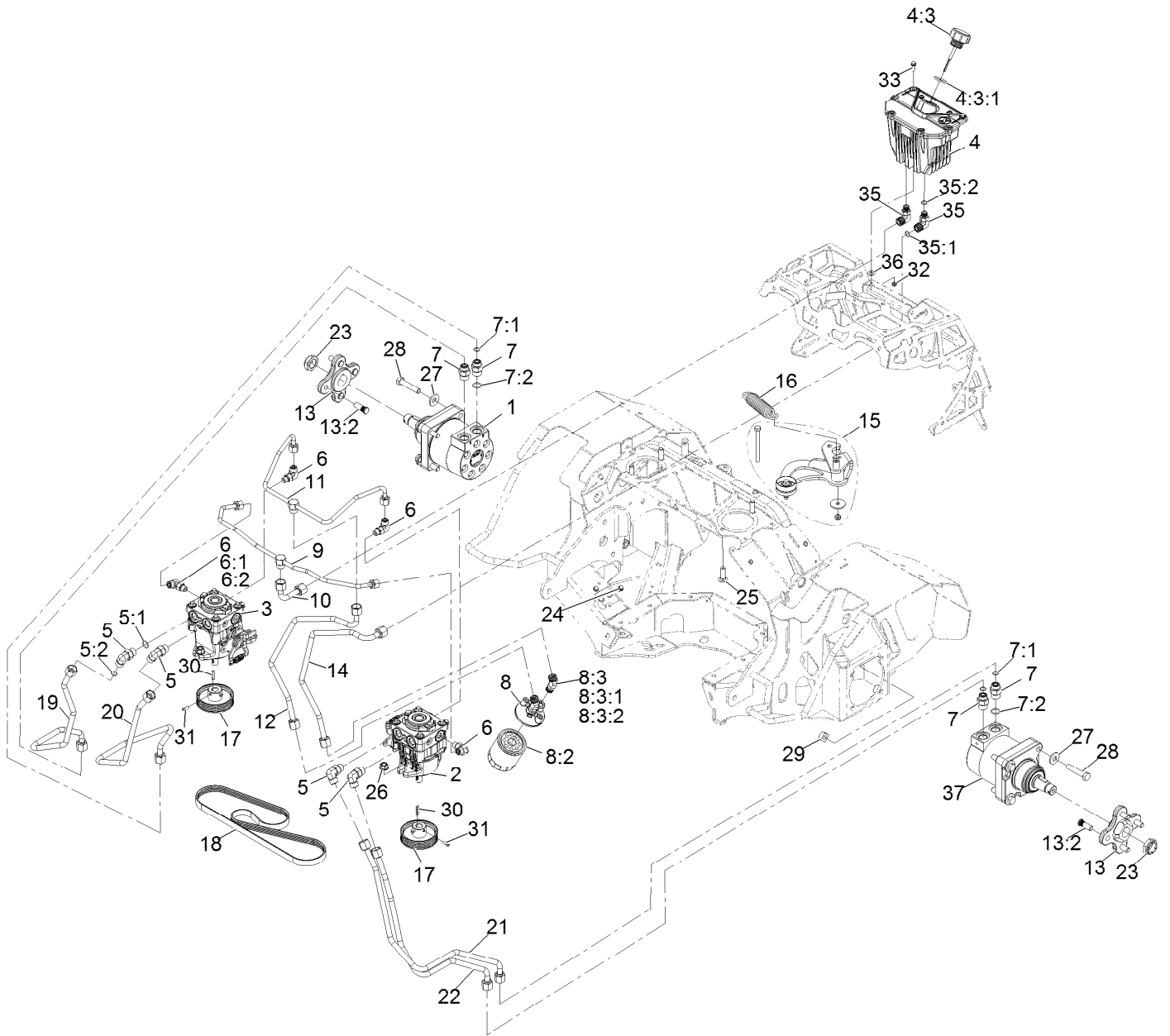
## Engine Assembly (continued)

<i>Ref.</i>	<i>Part Number</i>	<i>Qty.</i>	<i>Description</i>	<i>Ref.</i>	<i>Part Number</i>	<i>Qty.</i>	<i>Description</i>
1	135-1615-03	1	Plate, Engine	21	3296-4	1	Nut-Lock 5/16-24
2		1	Engine, Kohler Cv740 EFI ▲◆	22	104-8301	6	Nut-Nyloc 3/8-16 Flg
2:1		1	Kohler 52 050 02-S Engine Oil Filter ▲◆	23	3234-42	6	Screw HHF 3/8-16 X 1
2:2		1	Kohler 25 083 01-S Engine Air Filter ▲◆	24	98-5975	5	Washer-Spring Disc 3/8
2:3		1	Kohler 25 083 04-S Safety Filter ▲◆	25	3296-47	2	Nut-Nyloc 5/16-18 Thin
2:4		1	Kohler 25 050 42-S Fuel Filter ▲◆	26	3230-18	2	Bolt-Carriage 5/16-18 X 5/8
3	142-3593	1	Spacer, Clutch 1.13	27	1-603610	2	Washer-Spring Disc 7/16
4	142-3588	1	Clutch	28	109-9761	1	Screw-HH 7/16-20 X 1 1/2 W/Loctite
5	135-1308	1	Spacer, Clutch	29	135-1198	1	Pulley, Crank
6	135-5095	1	Header, Kohler	30	135-7890	1	Screw-HH, Patch,
7	68-9400	4	Nut-Flange	31	126-0983	4	Screw-BHTF
11	142-3577	1	Muffler, 5"	32	135-6667	2	Spring, Compression
12	104-4090	1	Clamp-Muffler	33	135-7527	1	Shield, Heat
13	32128-25	4	Nut-Hex 5/16-18 Side Lock	35	135-6594	1	Sensor, Mini O2
14	130-2344	2	Bolt-Shoulder	36	110-6697	2	Gasket-Exhaust
15	135-1589	1	Strap, Clutch	37	136-6346	1	Bracket-Pump, Fuel
16	126-0620	1	ASM, Clutch Anchor	38	121-6840	3	Washer-Rubber
17	237-136	1	Grommet	39	3256-67	3	Washer
18	1-543286	1	Grommet	40	104-7201	3	Nut-Nyloc 1/4-20 Flg
19	116-5108	1	Oil Drain Hose ASM	41	126-6269	3	Screw-Truss
19:2	353-508	1	Plug-W/O-Ring ■	42	33103-012	3	Screw-HHF
19:2:1	237-42	1	O-Ring	43	1-303335	2	Tie-Cable 7 15/16 (Large) ●
				44	135-6621	1	Duct, Air
				47	135-6844	1	Decal-10W-50 Oil
				48	142-3562	1	Stand-Off, Duct ●

● Not illustrated  
▲ Not serviced separately

■ Torque to 24-26 ft-lb  
◆ Obtain parts from [www.kohlerplus.com](http://www.kohlerplus.com)

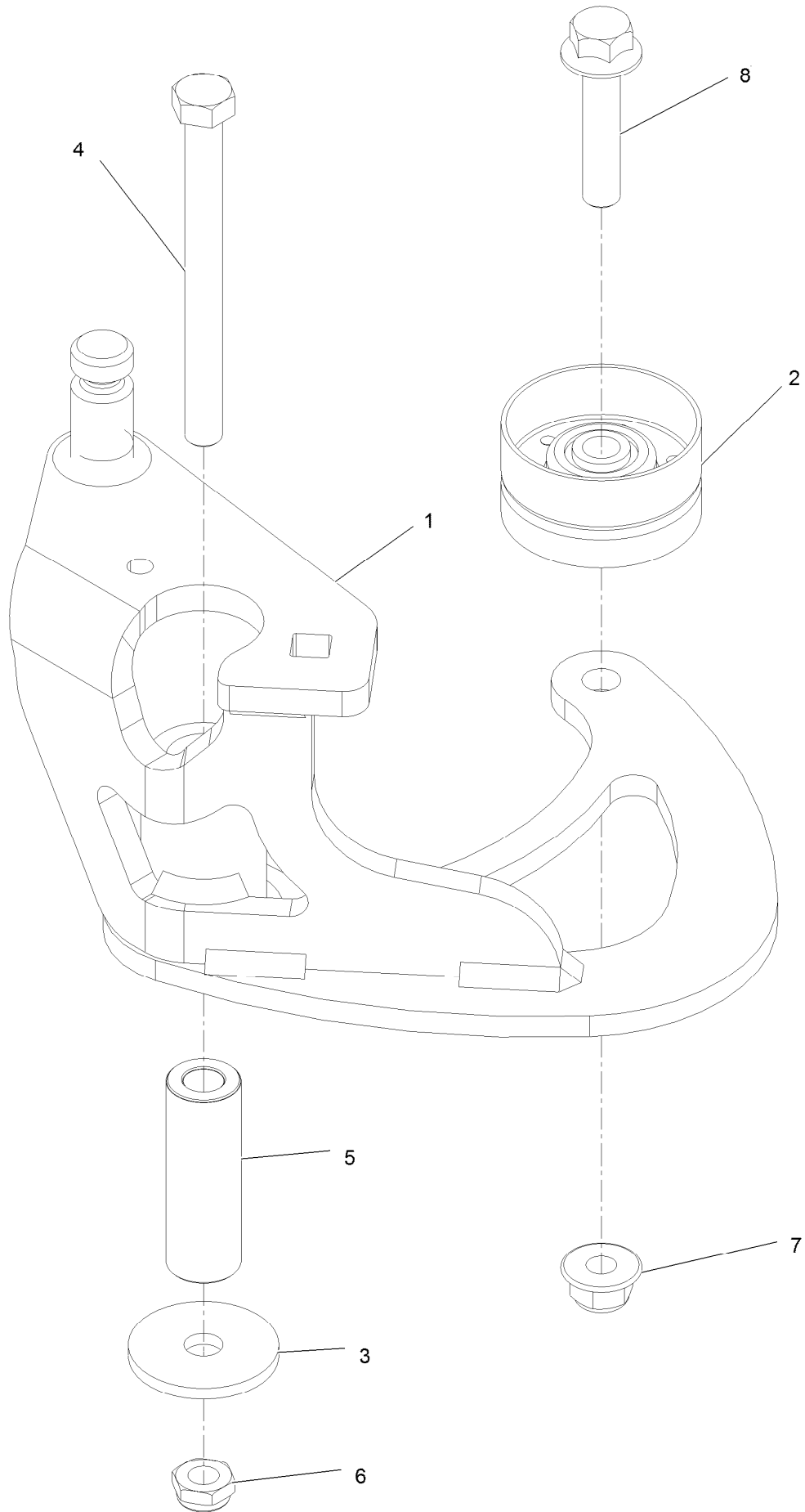
# Hydraulic Assembly



## Hydraulic Assembly (continued)

<i>Ref.</i>	<i>Part Number</i>	<i>Qty.</i>	<i>Description</i>	<i>Ref.</i>	<i>Part Number</i>	<i>Qty.</i>	<i>Description</i>
1	135-1162	1	Motor, T1195	14	135-7052	1	Line, Hydraulic, Supply
2	142-2933	1	Pump, 12Cc	15	135-1270	1	ASM, Idler Arm
3	142-2934	1	Pump, 12Cc	16	135-1272	1	Spring, Extension
4	135-3305	1	ASM, Hydraulic Reservoir	17	142-2968	2	Pulley, Pvk5
4:3	142-2793	1	Cap, Hydraulic	18	135-1196	1	Belt, Pvk5
4:3:1	142-2792	1	O-Ring	19	142-2819	1	Kit-Sts HYD Line B-A
5	340-98	4	Fitting-Elbow, 90 DEG	20	142-2820	1	Kit-Sts HYD Line A-B
5:1	237-79	1	O-Ring	21	142-2844	1	Kit, Hydraulic Line, A-B
5:2	237-30	1	O-Ring	22	142-2843	1	Kit, Hydraulic Line, B-A
6	340-77	4	Fitting-Elbow, 90 DEG	23	116-1399	2	Locknut
6:1	237-22	1	O-Ring	24	119-1065	2	Screw-HWH
6:2	237-42	1	O-Ring	25	3232-3	4	Bolt-Carriage 7/16-14 X 1 1/2
7	340-6	4	Fitting-Straight	26	114-8417	4	Nut-HF, NI
7:1	237-30	1	O-Ring	27	1-513435	8	Washer-Spring Disc 1/2
7:2	237-80	1	O-Ring	28	325-10	8	Screw-HH 1/2-13 X 2 1/2
8	142-2951	1	ASM, Filter Head	29	3290-510	8	Nut-Square
8:2	109-4180	1	Element, Oil Filter	30	135-7971	2	Key, 5Mm X 5Mm X 29Mm
8:3	340-96	2	Adapter	31	3241-7	4	Screw-SQH
8:3:1	237-30	1	O-Ring	32	3296-56	2	Nut-Nyloc 1/4-20 Thin
8:3:2	237-42	1	O-Ring	33	32105-15	2	Screw-Machine 1/4-20 X 3/4
9	135-7056	1	Line, Hydraulic, Case Tee	35	340-99	2	Fitting-HYD, 90 DEG
10	135-7054	1	Line, Hydraulic, Case	35:1	237-30	1	O-Ring
11	135-7055	1	Line, Hydraulic, Charge Tee	35:2	237-42	1	O-Ring
12	135-7053	1	Line, Hydraulic, Charge	36	73-0041	2	Washer-Thrust
13	135-2214	2	ASM, Hub W/ Studs	37	142-2840	1	Motor, T1195
13:2	116-1696	4	Stud-Wheel				

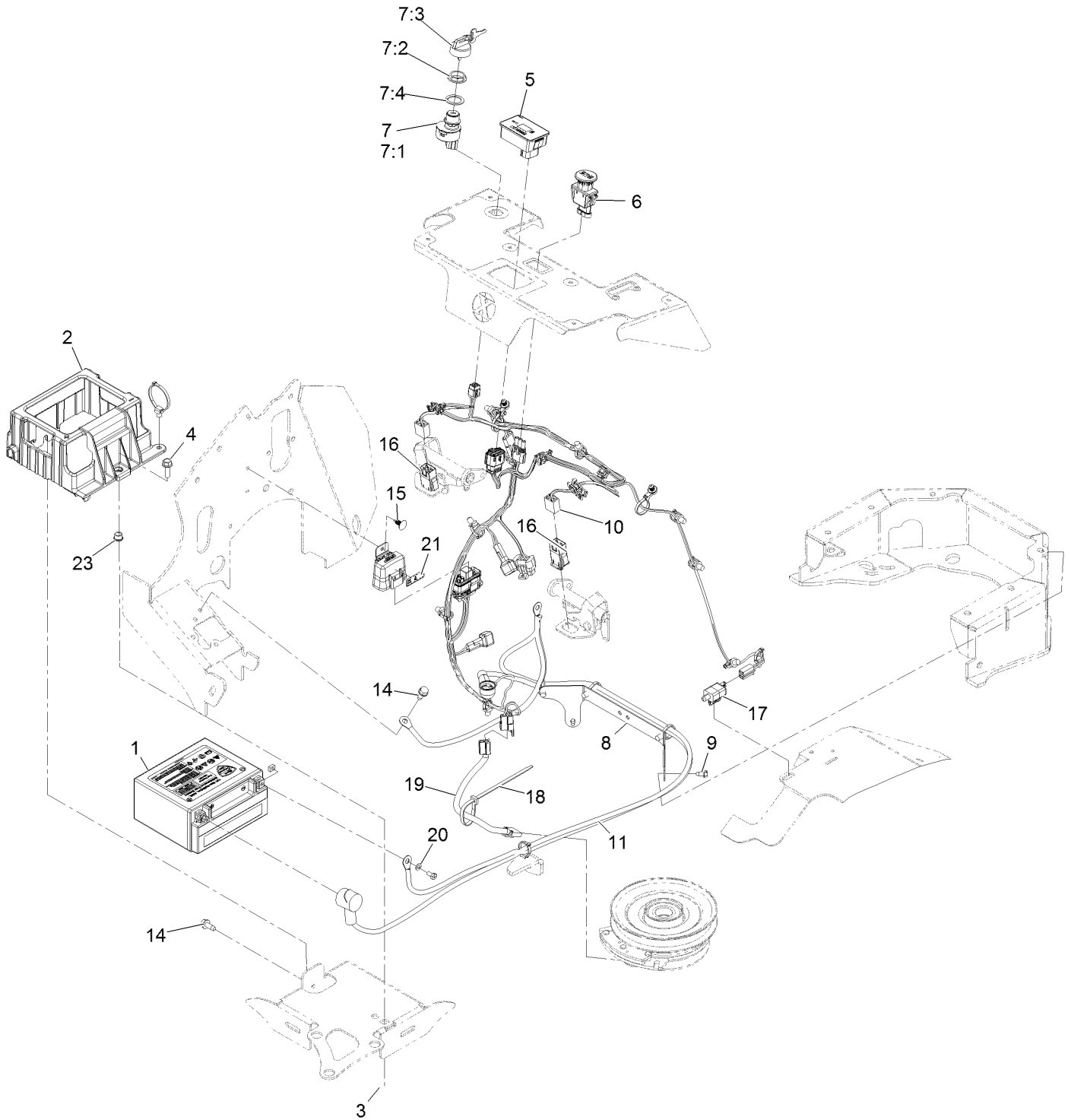
# Idler Arm Assembly



## Idler Arm Assembly (continued)

<i>Ref.</i>	<i>Part Number</i>	<i>Qty.</i>	<i>Description</i>	<i>Ref.</i>	<i>Part Number</i>	<i>Qty.</i>	<i>Description</i>
1	135-2238	1	ASM, Idler Arm W/ Bushings	5	135-1273	1	Tube, Idler Pivot
2	135-1199	1	Idler, Flat	6	3296-59	1	Nut-Nyloc 3/8-16 Thin
3	1-213069	1	Washer	7	104-8301	2	Nut-Nyloc 3/8-16 Flg
4	323-16	1	Screw-HH 3/8-16 X 4	8	3234-19	1	Screw-HHF 3/8-16 X 1 3/4

# Electrical Assembly





## Electrical Assembly (continued)

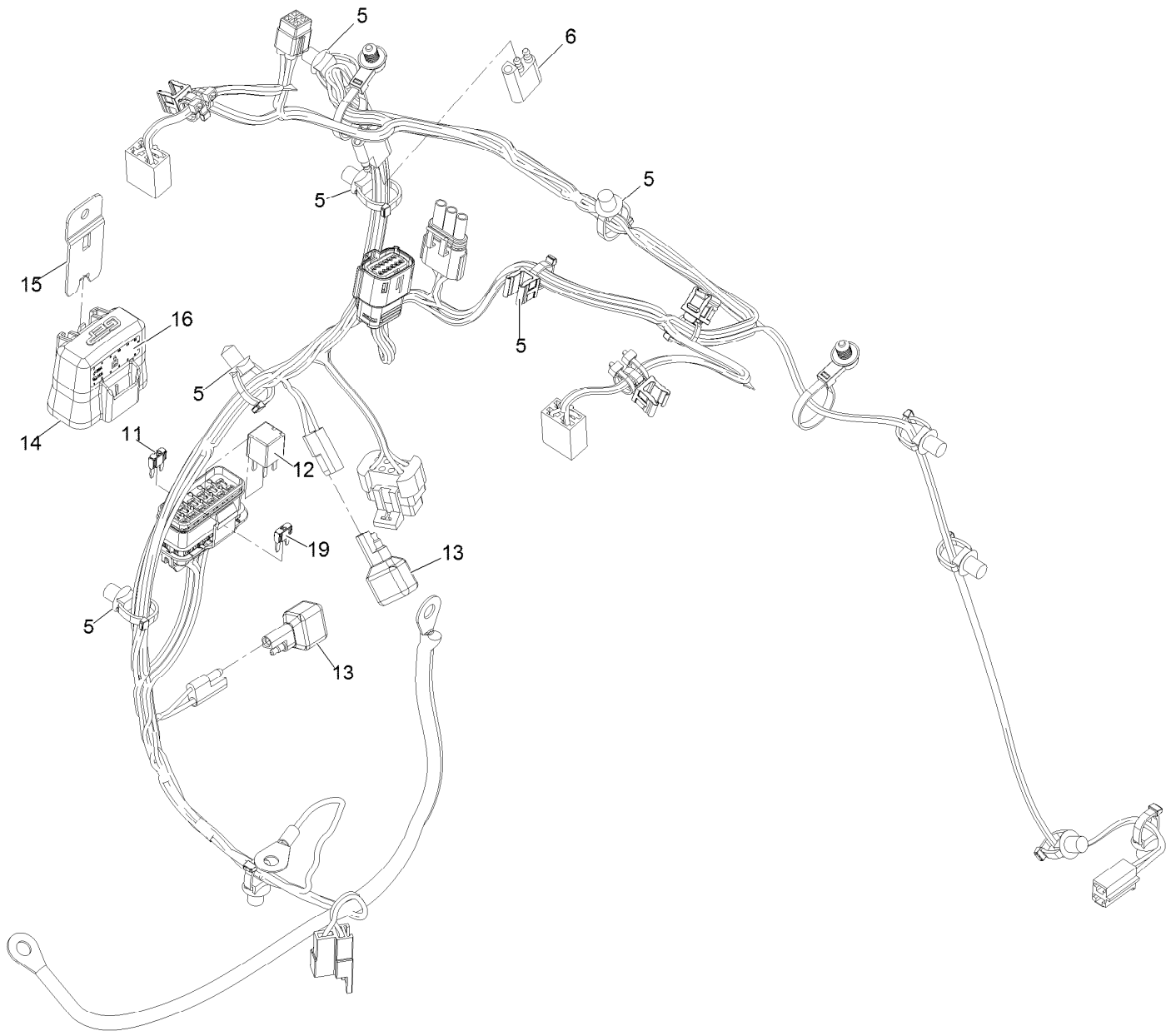
<i>Ref.</i>	<i>Part Number</i>	<i>Qty.</i>	<i>Description</i>	<i>Ref.</i>	<i>Part Number</i>	<i>Qty.</i>	<i>Description</i>
1	135-4421	1	Battery, Agm, Non-Spillable	10	142-2406	1	Harness-Wire ▲
2	142-2450	1	Box, Battery	11	135-2126	1	Harness-Battery
3	135-4473	1	Nut, Snap	14	32144-11	2	Screw-HWH 5/16-18 X 3/4 Tf
4	115-5142	1	Screw-HHF	15	117-2382	1	Plug-Plastic
5	135-7189	1	Module-Hour Meter	16	104-3338	2	Switch-Delta
6	126-6187	1	Switch-PTO, Sealed	17	110-6765	1	Switch
7	126-6285	1	Ignition Switch ASM	18	1-303335	1	Tie-Cable 7 15/16 (Large)
7:1		1	Switch-Ignition ■	19	109-9274	1	Harness-Clutch
7:2	108-8660	1	Nut-Mounting	20	1-303435	2	Washer-Spring Disc 1/4
7:3	106-5270	1	Ignition Key Set	21	126-7875	1	Decal-Fuse
7:4	108-8659	1	Washer-Backup	23	256-116	1	Bushing-Flange
8	135-1924-03	1	Support, Battery Cable	99	135-7732	1	Hardware Kit, Battery ●
9	32104-17	2	Screw-HWH 1/4-20 X 1/2 Tap				

● Not illustrated

■ Not serviced separately

▲ Use dielectric grease on all unsealed connectors and terminals only. Do not apply in sealed connectors.

# Harness Assembly



## Harness Assembly (continued)

<i>Ref.</i>	<i>Part Number</i>	<i>Qty.</i>	<i>Description</i>	<i>Ref.</i>	<i>Part Number</i>	<i>Qty.</i>	<i>Description</i>
5	32180-030	10	Clip-Tie	14	32180-176	1	Cover-Block, Fuse
6	32180-197	1	Cap-Plug	15	32180-177	1	Clip-Mounting
11	121-8868	1	Fuse-Mini Blade, 20 Amp	16	126-7875	1	Decal-Fuse
12	126-3991	1	Relay-Micro	19	121-8867	1	Fuse-Mini Blade, 15 Amp
13	100-4918	2	Diode				

**Notes:**

**Notes:**

**Notes:**



# MAXIMIZE THE PERFORMANCE OF YOUR EXMARK MACHINE.



## EXMARK® PREMIUM ENGINE OIL

Exmark now offers a family of engine oil viscosities to perform well in any environment. Each viscosity has the same synthetic formulation to give you what you need in punishing conditions. We designed each grade to the highest quality, making it ideal even for diesel applications. Coupled with Exmark Premium Fuel Treatment, we have the performance products to make your machine hum.

### EXMARK PREMIUM ENGINE OIL SAE 30/10W-30

- Meets zero shear requirements of a straight grade SAE 30 as well as the cold temp properties of a 10W-30.
- Most versatile oil in the industry.
- Superior corrosion protection over conventional oil - even in corrosive, humid environments.

### EXMARK PREMIUM ENGINE OIL SAE 20W-50

- Perfect for your big block engine, or any application in severe service.
- Same full synthetic formulation as all other Exmark Premium viscosities.
- Also effective for use in severe service small block engines.

### EXMARK PREMIUM ENGINE OIL SAE 10W-50

- Full synthetic formulation gives you peak performance. Don't settle for less.
- Wide span multi-grade combines easy starting in cold weather with maximum protection in high temperature operation.
- Reduce friction & wear over standard mineral formulations.

### EXMARK PREMIUM ENGINE OIL SAE 0W-40

- The perfect choice for when the weather turns cold or unpredictable, and your Exmark UTV has to perform.
- Commercial quality for severe service.
- Advanced additive package helps prevent corrosion from long-term storage.

### EXMARK PREMIUM ENGINE OIL UTV FORMULATION

- 4-cycle high-temp formulation.
- Heavier viscosity, full synthetic, perfect for your UTV.

### EXMARK PREMIUM UTV EXTREME CONDITIONS GEAR OIL

- SAE 80W-90, designed to keep your UTV performing at its peak.
- Shear stable, hypoid gear lube.
- Includes a premium additive system to combat wear, oxidation, rust & corrosion.

**Available from your local Exmark dealer. Find your closest dealer at [exmark.com](http://exmark.com)**

## EXMARK ACCESSORIES AND OPTIONS\*

### MID-MOUNT RIDING ACCESSORIES AND OPTIONS

CUSTOM RIDE SEAT SUSPENSION SYSTEM	OPERATOR CONTROLLED DISCHARGE
FULL SUSPENSION SEAT	SUN SHADE
DECK LIFT ASSIST KIT	TRASH CONTAINER
HITCH KIT	TURF STRIPER
LIGHT KIT	ULTRA VAC COLLECTION SYSTEM
12V POWER PORT	ULTRA VAC QUICK DISPOSAL SYSTEM
MICRO-MULCH SYSTEM	

### OUT-FRONT RIDING ACCESSORIES AND OPTIONS

CUSTOM RIDE SEAT SUSPENSION SYSTEM	SNOW BLADE
DUAL-TAIL WHEEL	SNOWBLOWER
FLOOR PAN EXTENDER	SUN SHADE
HITCH KIT	TRASH CONTAINER
LIGHT KIT	ULTRA VAC COLLECTION SYSTEM
MICRO-MULCH SYSTEM	ULTRA VAC QUICK DISPOSAL SYSTEM
ROLL OVER PROTECTION SYSTEM (ROPS)	WEATHER CAB

### WALK-BEHIND ACCESSORIES AND OPTIONS

GRASS CATCHER	TURF STRIPER
MICRO-MULCH SYSTEM	STANDON

\*Some accessories and options not available for some models.

Place Model No. and Serial No.  
Label Here (Included in the Literature  
Pack) or Fill in Below

Model No. \_\_\_\_\_

Serial No. \_\_\_\_\_

Date Purchased \_\_\_\_\_

Engine Model No. and Spec. No. \_\_\_\_\_

Engine Serial No. (E/No) \_\_\_\_\_

© 2019 Exmark Mfg. Co., Inc.  
2101 Ashland Ave  
Beatrice, NE 68310  
All Rights Reserved

Part No. 4504-826 Rev. A  
(402) 223-6375  
Fax (402) 223-5489  
Printed in the USA.

