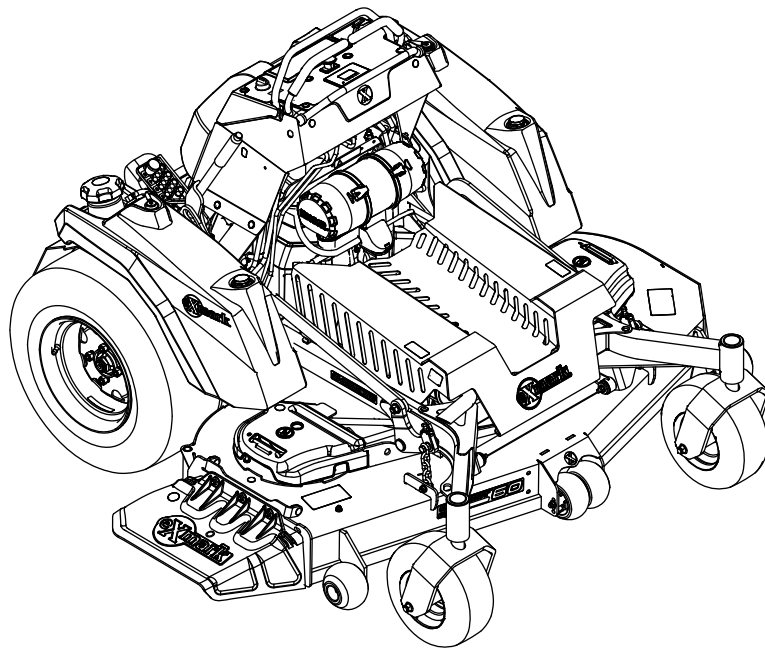




STARIS S-SERIES

Model No. STS730AKC52400—Serial No. 406294345 and Up

Picture below may not reflect actual product.



Parts Manual

Part No. 4504-823 Rev. A

Ordering Replacement Parts

To order replacement parts, please supply the part number, the quantity, and the description of each part desired.

Understanding Reference Numbers

Each identified part in an illustration has a reference number. The reference number for a part also appears in the parts list, along with other information about the part.

This catalog uses two special reference number formats, one to indicate parts in a service assembly and another to indicate the quantity of a given part in an illustration.

Service Assembly Reference Numbers

Parts in service assemblies have reference numbers in the form a:b. The a represents the reference number of the entire service assembly and the b represents a sequential number unique to each part within the service assembly.

For example, a wheel assembly might be identified by reference number 6, the tire by 6:1, the valve by 6:2, and the wheel by 6:3. When you order the assembly identified by reference number 6, you receive all parts identified by reference numbers 6:1, 6:2, and 6:3. However, you may also order any part individually. Reference numbers of this type appear in illustration and in parts lists.

Reference Numbers Indicating Quantity

In an illustration, if a reference number indicates more than one part, the reference number has the form nX y. The n represents the quantity of the part, the X is the multiplication symbol, and the y represents the reference number.

For example, in an illustration, the reference number 2X 37 means that two of the parts identified by reference number 37 are indicated.

Touch Up Paint

Exmark black touch up spray paint – gloss black.

Exmark red touch up paint (spray paint – P/N 1-850337 - .6 oz liquid bottle – P/N 103-9140).

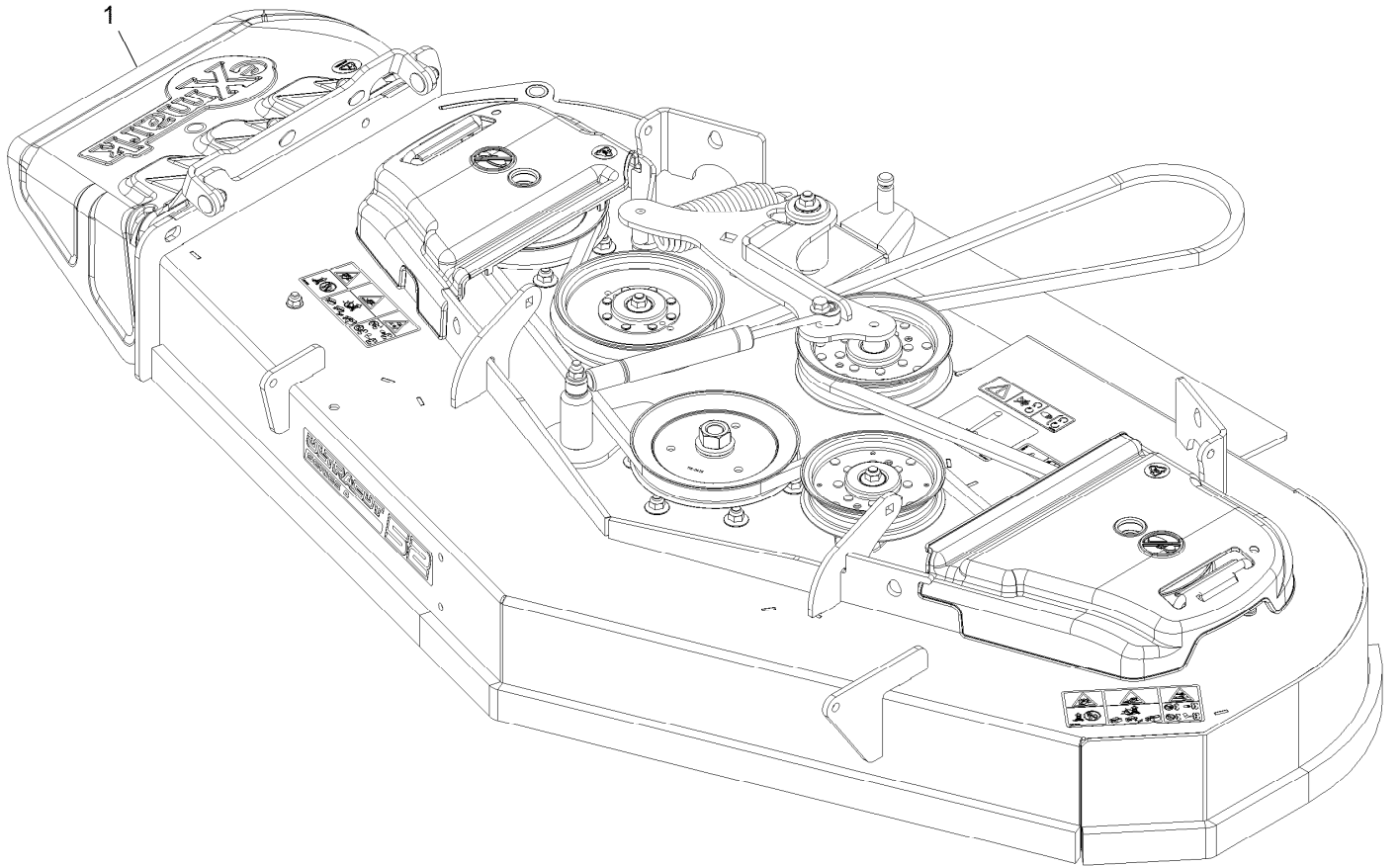


If your Exmark dealer does not have the Exmark part in stock, Exmark will get the parts to the dealer the next business day or the part will be FREE Guaranteed!! (Some restrictions apply. See your participating Exmark Dealer for details.)

Contents

Complete Deck Assembly.....	4
Deck Assembly.....	6
Deck W/Decals Assembly.....	8
Deck Idler Assembly.....	10
Main Frame Assembly.....	12
Controls Assembly.....	14
Deck Lift Assembly.....	16
Deck Strut Assembly.....	18
Height of Cut Lever Assembly.....	20
Platform Assembly.....	22
Guarding Assembly.....	24
Drive Wheel Assembly.....	26
Caster Wheel Assembly.....	28
Park Brake Assembly.....	30
Fuel Assembly.....	32
Right Fuel Tank Assembly.....	34
Left Fuel Line Assembly.....	36
Right Fuel Line Assembly.....	38
Fuel Line Assembly.....	40
Engine Assembly.....	42
Hydraulic Assembly.....	44
Idler Arm Assembly.....	46
Electrical Assembly.....	48
Harness Assembly.....	50

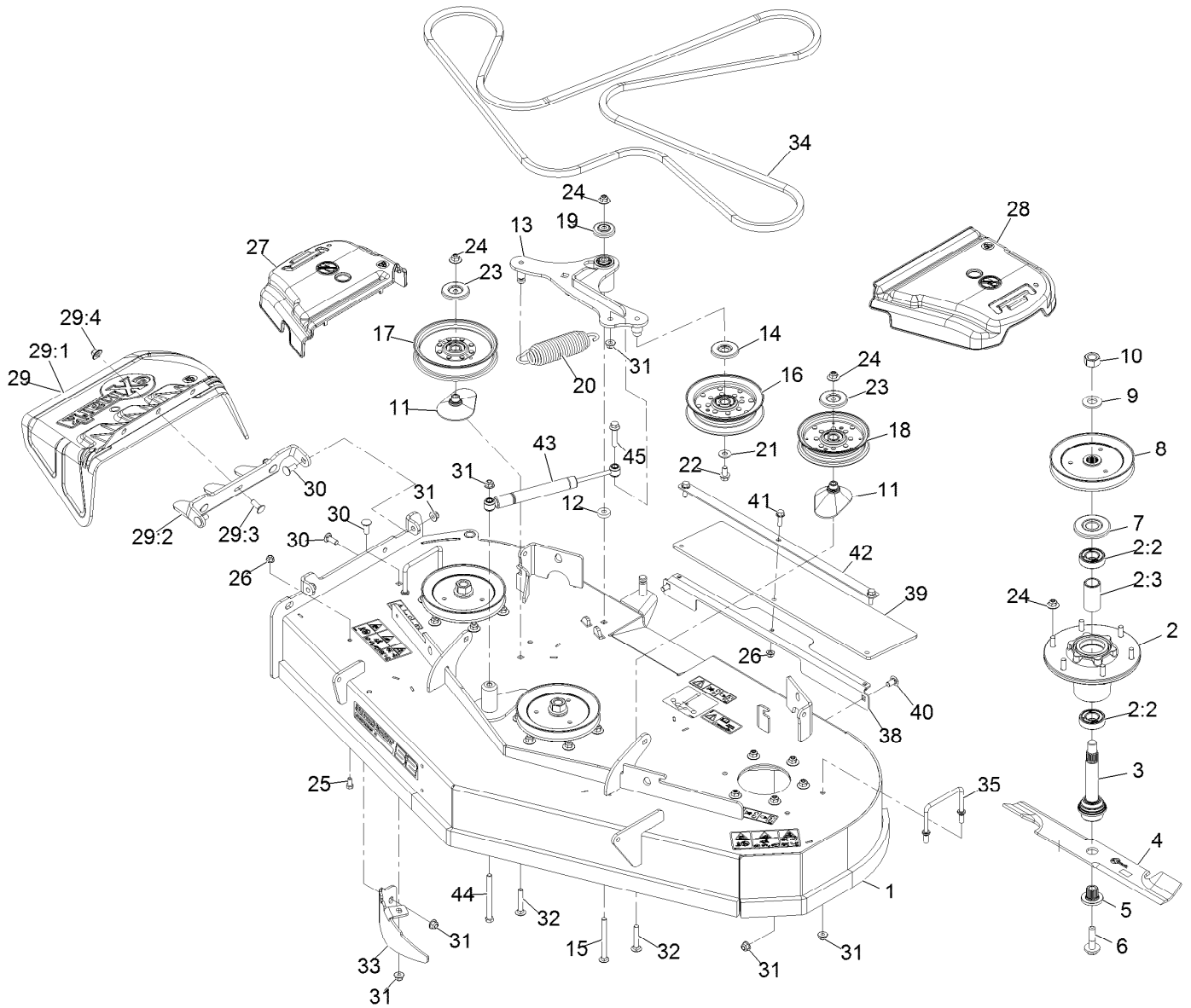
Complete Deck Assembly



Complete Deck Assembly (continued)

<i>Ref.</i>	<i>Part Number</i>	<i>Qty.</i>	<i>Description</i>
1	135-6669	1	ASM, Complete Deck, 524

Deck Assembly



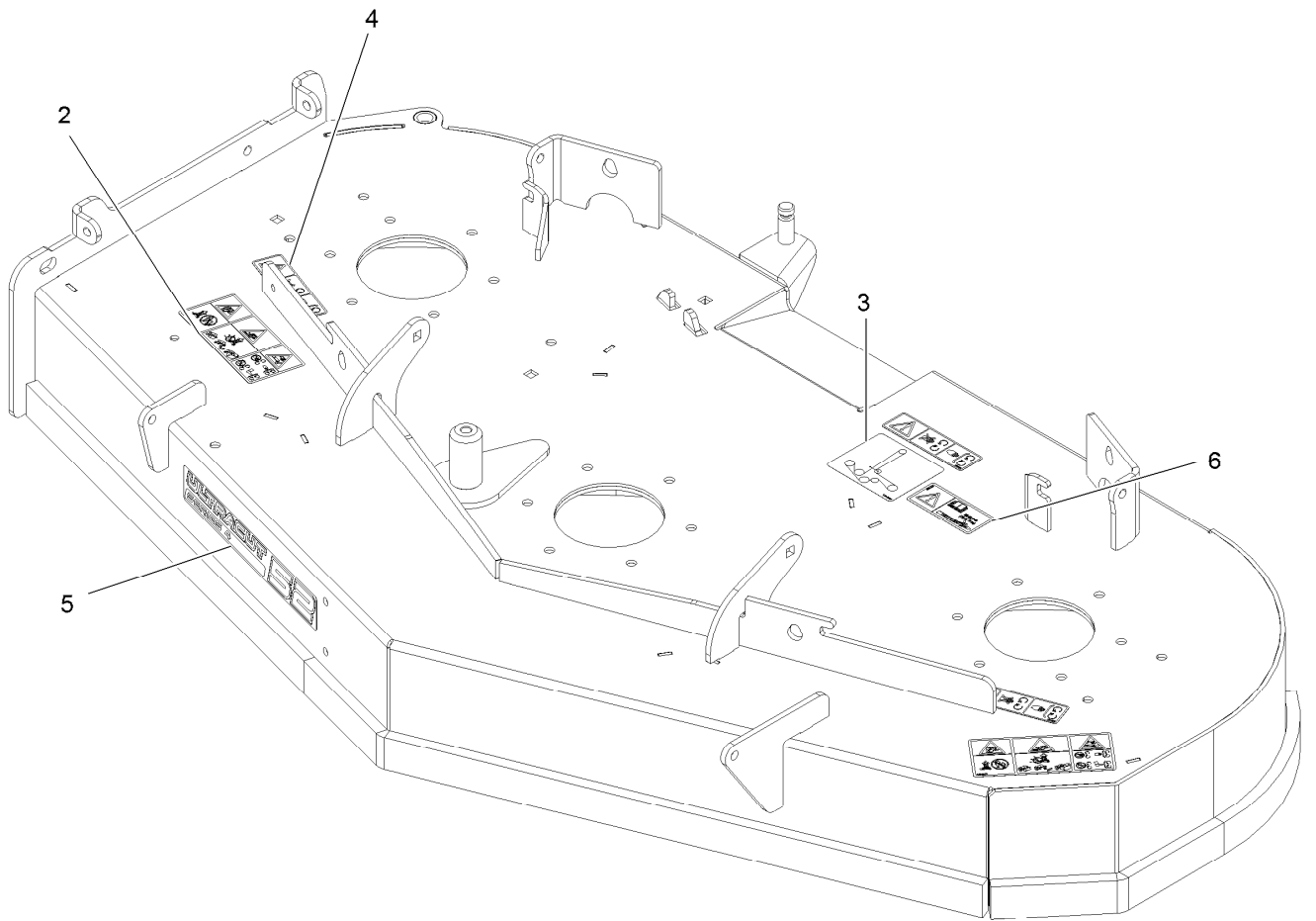
Deck Assembly (continued)

<i>Ref.</i>	<i>Part Number</i>	<i>Qty.</i>	<i>Description</i>	<i>Ref.</i>	<i>Part Number</i>	<i>Qty.</i>	<i>Description</i>
1	135-1908	1	ASM, Deck W/ Decals, 52"	22	110-1718	1	Screw-Hex Flange 3/8-16 X 3/4
2	116-3344	3	ASM-Cutter Hsg With Bearings	23	126-8043	2	Shield-Dust
2:2	116-0720	2	Bearing-Ball	24	109-6658	21	Nut-Nyloc 3/8-16 Flg
2:3	116-3312	1	Spacer-Bearing	25	322-2	1	Screw-HH 5/16-18 X 5/8
3	116-3341	3	ASM-Spindle And Seal	26	104-8300	4	Nut-Nyloc 5/16-18 Flg
4	103-6392	3	Blade, Mulching ■	27	109-6935	1	Cover-Belt, RH
4	103-6382	3	Blade, Solid ●	28	109-6936	1	Cover-Belt, LH
4	103-6387	3	Blade, Low Lift ●	29	109-7188	1	ASM,Discharge Chute
4	116-5175	3	Blade-Extreme 2, 18.00" ●	29:1	109-2738	1	Chute, Discharge
4	103-6402	3	Blade-Notched	29:2	109-8675-01	1	Bracket,Discharge Chute
5	103-3037	3	Bushing, Splined	29:3	3231-22	3	Bolt-Carriage 3/8-16 X 1
6	109-9220	3	Screw-Sems 1/2-20 X 2.19	29:4	109-6658	3	Nut-Nyloc 3/8-16 Flg
7	116-1286	3	Guard,Bearing Top .989	30	3231-22	4	Bolt-Carriage 3/8-16 X 1
8	116-0675	3	Sheave,Blade Drive 6.50	31	104-8301	12	Nut-Nyloc 3/8-16 Flg
9	103-2802	3	Washer-Spring Disc 3/4	32	3231-7	2	Bolt-Carriage 3/8-16 X 2 1/4
10	116-7306	3	Nut-Hex	33	116-5814-01	1	Baffle-Dogleg, Lz-Vt52
11	109-2872	2	Spacer-Pulley	34	135-5078	1	Belt, 5V
12	62-6660	1	Spacer	35	109-6982	2	Wireform-Cover
13	135-7394	1	ASM-Deck Idler	38	135-6287-03	1	Brkt, Heat Deflector
14	126-9195	1	Shield-Guard, Dust	39	135-6358	1	Shield, Heat
15	3231-37	1	Bolt-Carriage 3/8-16 X 4	40	3231-21	2	Bolt-Carriage 3/8-16 X 3/4
16	126-9196	1	Idler-Pulley, Flat	41	3234-29	3	Screw-HH Flg 5/16-18 X 1
17	126-9189	1	Idler-Pulley, Flat 6.00X1.00	42	135-7122-03	1	Brkt-Heat Deflector, Top
18	126-9187	1	Pulley-Idler, Flat	43	135-7252	1	Damper
19	103-2916	1	Guard-Top	44	323-17	1	Screw-HH 3/8-16 X 4 1/4
20	116-6317	1	Spring-Extension	45	3234-19	1	Screw-HHF 3/8-16 X 1 3/4
21	3256-4	1	Washer-3/8 Std				

● Optional Equipment

■ Requires installation of mulch kit for proper mulching. See your Exmark dealer for details.

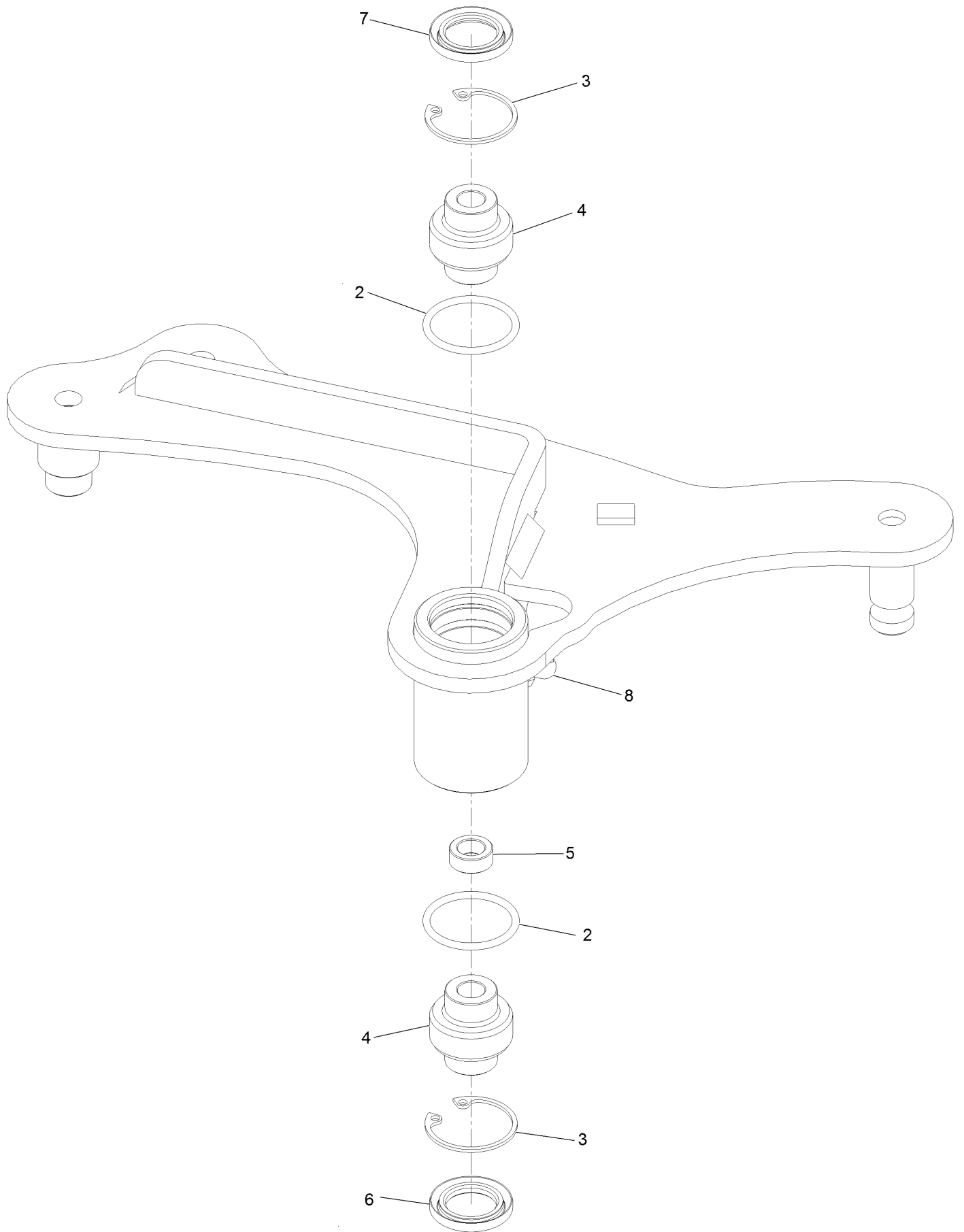
Deck W/Decals Assembly



Deck W/Decals Assembly (continued)

<i>Ref.</i>	<i>Part Number</i>	<i>Qty.</i>	<i>Description</i>	<i>Ref.</i>	<i>Part Number</i>	<i>Qty.</i>	<i>Description</i>
2	135-5210	2	Decal-Warning Thrown Obj	5	126-6588	1	Decal, 524
3	116-8727	1	Decal-Belt Routing	6	116-8283	1	Decal-Torque, Bolt
4	112-9028	3	Decal-Cover, Missing				

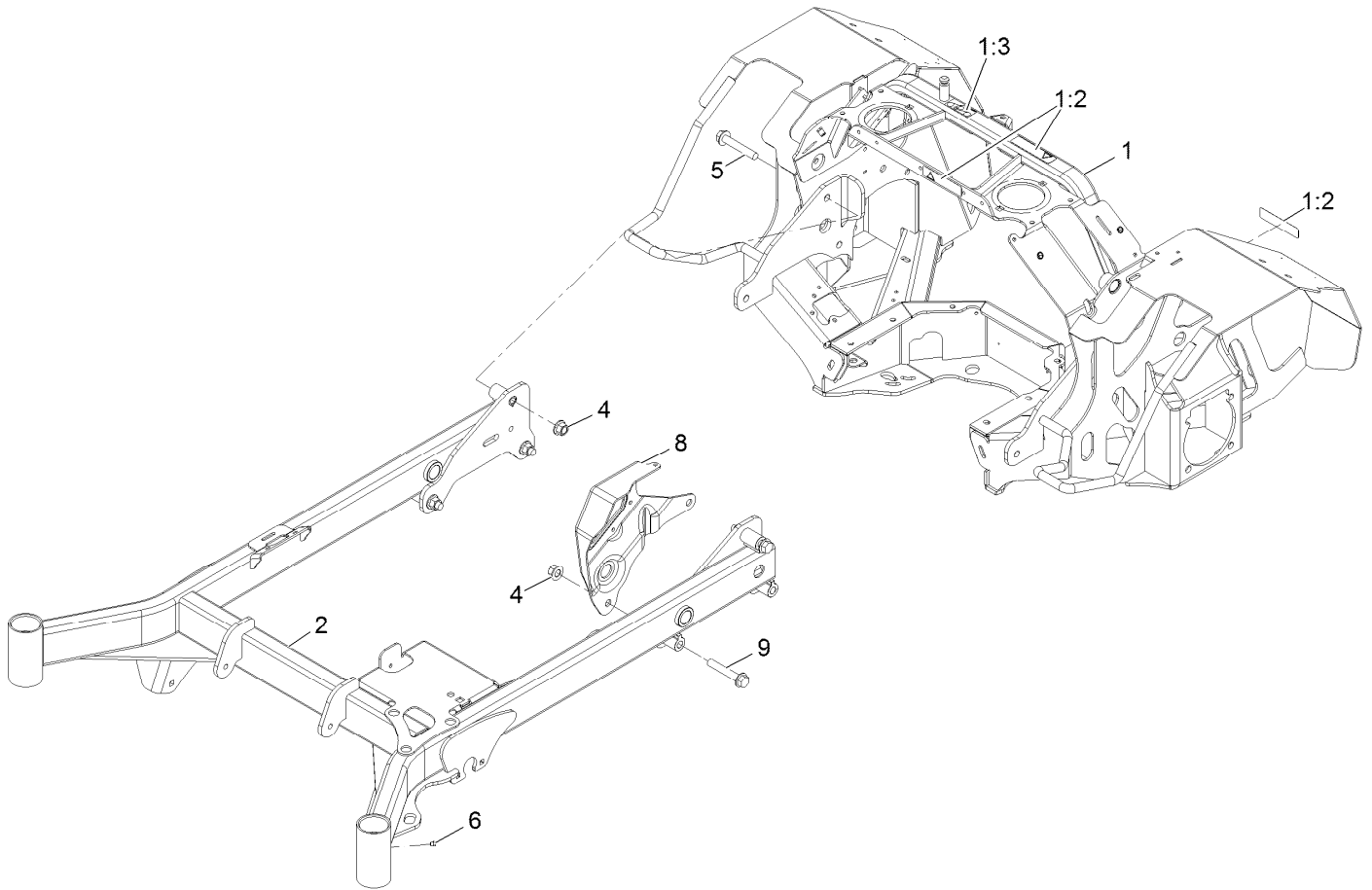
Deck Idler Assembly



Deck Idler Assembly (continued)

<i>Ref.</i>	<i>Part Number</i>	<i>Qty.</i>	<i>Description</i>	<i>Ref.</i>	<i>Part Number</i>	<i>Qty.</i>	<i>Description</i>
2	106-7159	2	O-Ring	6	103-3505	1	Seal-Lip, Double
3	32120-10	2	Ring-Retaining	7	103-3506	1	Seal-Single Lip
4	103-3504	2	Bearing-Spherical	8	302-40	1	Zerk-90° 1/4-28
5	103-5677	1	Spacer				

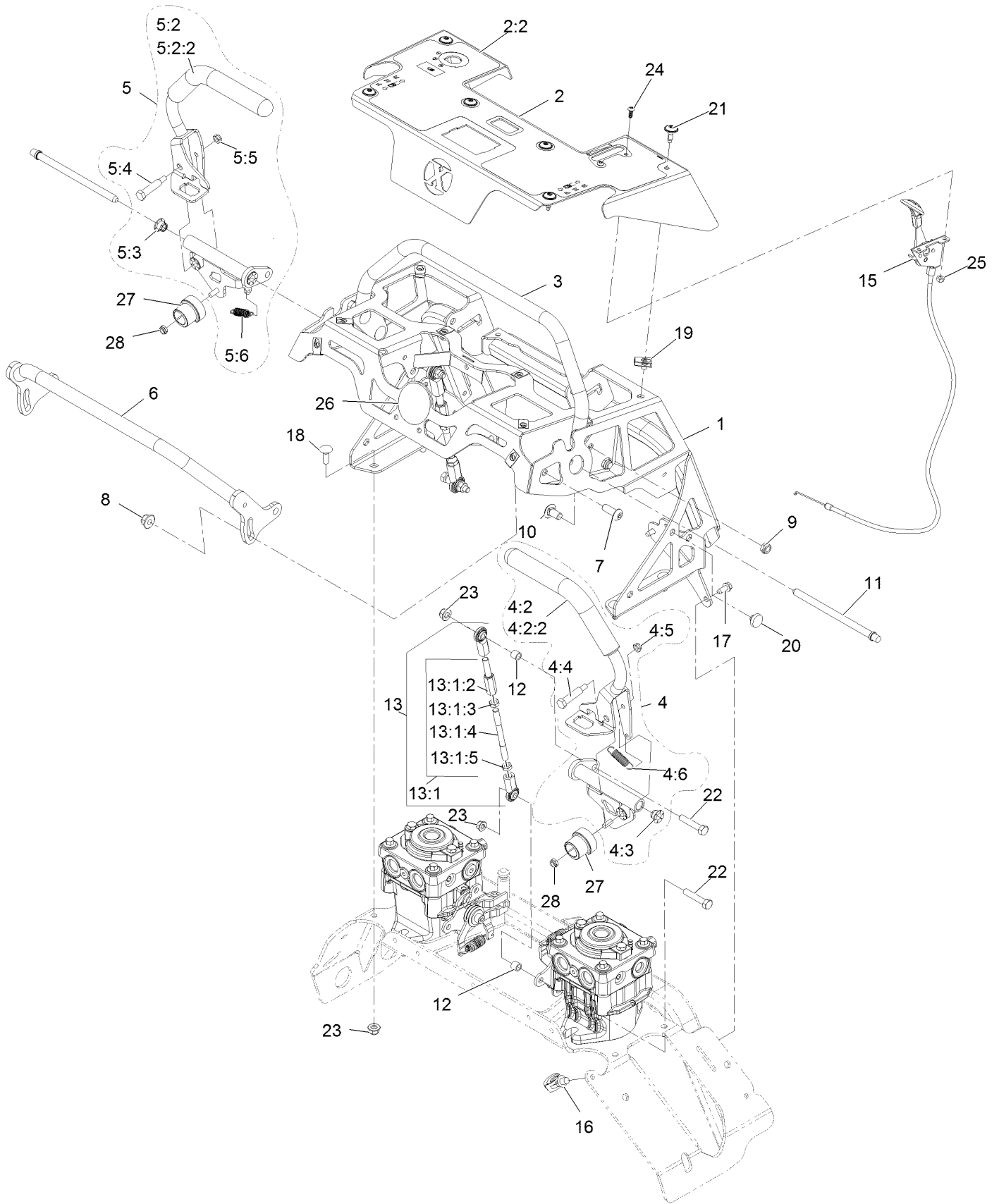
Main Frame Assembly



Main Frame Assembly (continued)

<i>Ref.</i>	<i>Part Number</i>	<i>Qty.</i>	<i>Description</i>	<i>Ref.</i>	<i>Part Number</i>	<i>Qty.</i>	<i>Description</i>
1	142-2409	1	ASM, Rear Frame W/ Decals	4	99-5107	6	Nut-Lock 1/2-13
1:2	98-1977	3	Decal-Warning	5	3234-40	4	Screw-HF
1:3	135-2267	1	Decal-Belt Routing HYD	6	1-811010	2	Plug
2	135-1176-01	1	Weld, Front Frame, 48/52	8	135-6756-03	1	Weld, Fuel Module
				9	135-7112	2	Screw-HHF

Controls Assembly

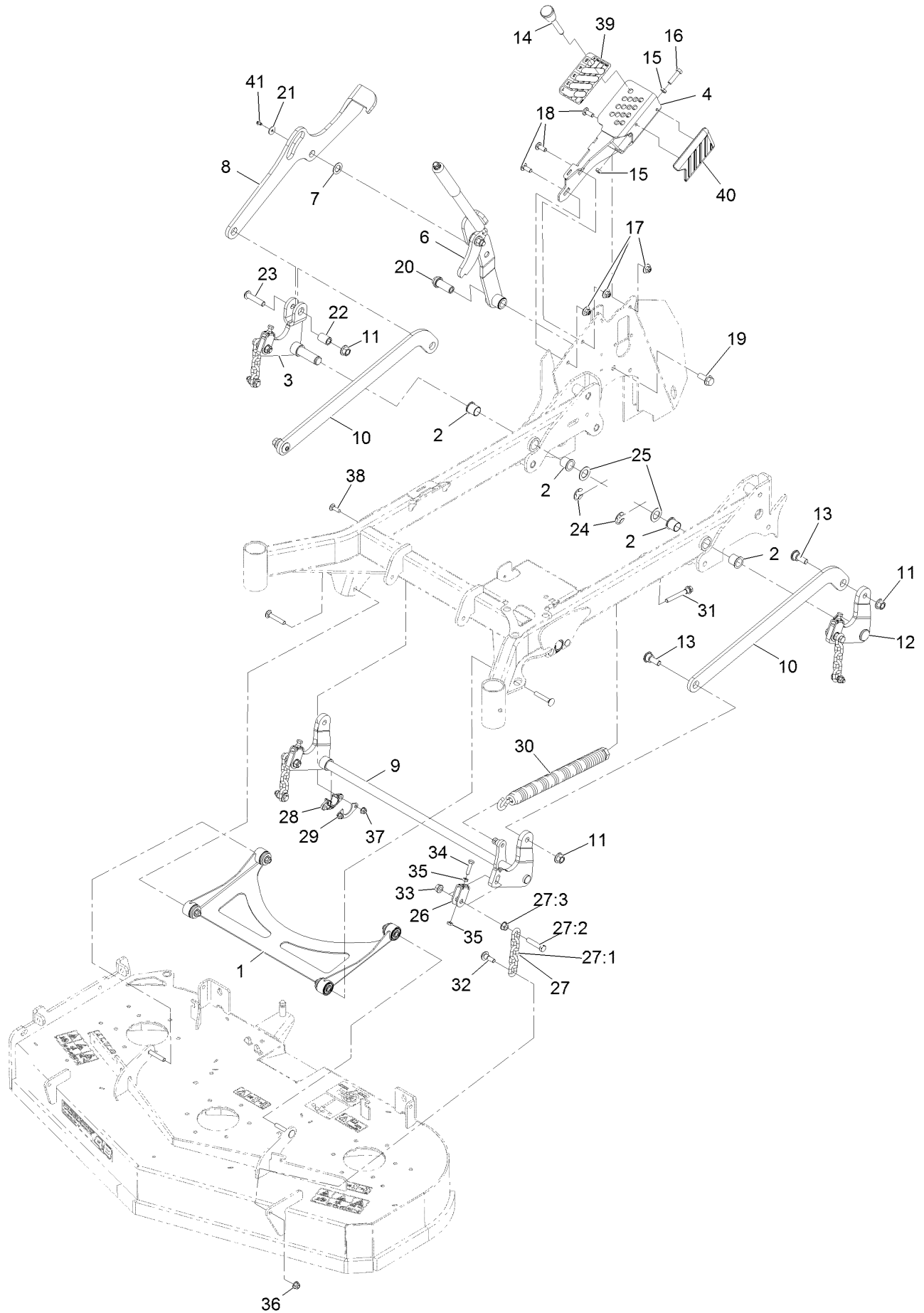


Controls Assembly (continued)

<i>Ref.</i>	<i>Part Number</i>	<i>Qty.</i>	<i>Description</i>	<i>Ref.</i>	<i>Part Number</i>	<i>Qty.</i>	<i>Description</i>
1	135-4142	1	ASM, Control Tower W/ Decal	8	104-8301	2	Nut-Nyloc 3/8-16 Flg
2	142-2418	1	ASM, Control Panel W/ Decal	9	3296-59	4	Nut-Nyloc 3/8-16 Thin
2:2	135-6772	1	Decal-Control Panel EFI	10	3231-21	4	Bolt-Carriage 3/8-16 X 3/4
3	135-3430-03	1	Weld, Rear Ref Bar	11	135-1277	2	Pin, Pivot
4	135-1304	1	ASM, Motion Control, Lt	12	1-633545	4	Spacer
4:2	135-2546	1	ASM, Lt Control Lever W/ Grip	13	135-7116	2	ASM, Linkage
4:2:2	135-3301	1	Grip, Drive Lever	13:1		1	ASM, Motion Control Link ●
4:3	135-6412	4	Bearing, Igus	13:1:2	116-4755	1	Rod-Adjustment
4:4	121-1229	1	Bolt-Shoulder	13:1:3	3220-16	1	Nut-Jam 3/8-24 LH
4:5	3296-56	1	Nut-Nyloc 1/4-20 Thin	13:1:4	135-1291	1	Link, Motion Control
4:6	114-0249	1	Spring-Extension	13:1:5	3220-3	1	Nut-Jam 3/8-24
5	135-1305	1	ASM, Motion Control, Rt	15	135-4352	1	Cable, Throttle
5:2	135-2547	1	ASM, Rt Control Lever W/ Grip	16	32180-030	1	Clip-Tie
5:2:2	135-3301	1	Grip, Drive Lever	17	32144-10	4	Screw-HWH 1/4-20 X .62
5:3	135-6412	4	Bearing, Igus	18	3230-16	4	Bolt-Carriage 5/16-18 X 7/8
5:4	121-1229	1	Bolt-Shoulder	19	107069	8	Nut-Retainer-Panel 1/4-20
5:5	3296-56	1	Nut-Nyloc 1/4-20 Thin	20	1-513658	2	Bumper
5:6	114-0249	1	Spring-Extension	21	135-3494	6	Screw, Torx
6	135-3432-03	1	Weld, Front Ref Bar	22	322-8	4	Screw-HH
7	3274-94	2	Screw-Button Head 3/8-16 X 1	23	104-8300	8	Nut-Nyloc 5/16-18 Flg
				24	135-3176	2	Screw, BHCS
				25	3296-2	2	Nut-Nyloc #10-24
				26	135-2281	1	Decal-Cover
				27	126-1499	2	Cam
				28	3296-56	2	Nut-Nyloc 1/4-20 Thin

● Not serviced separately

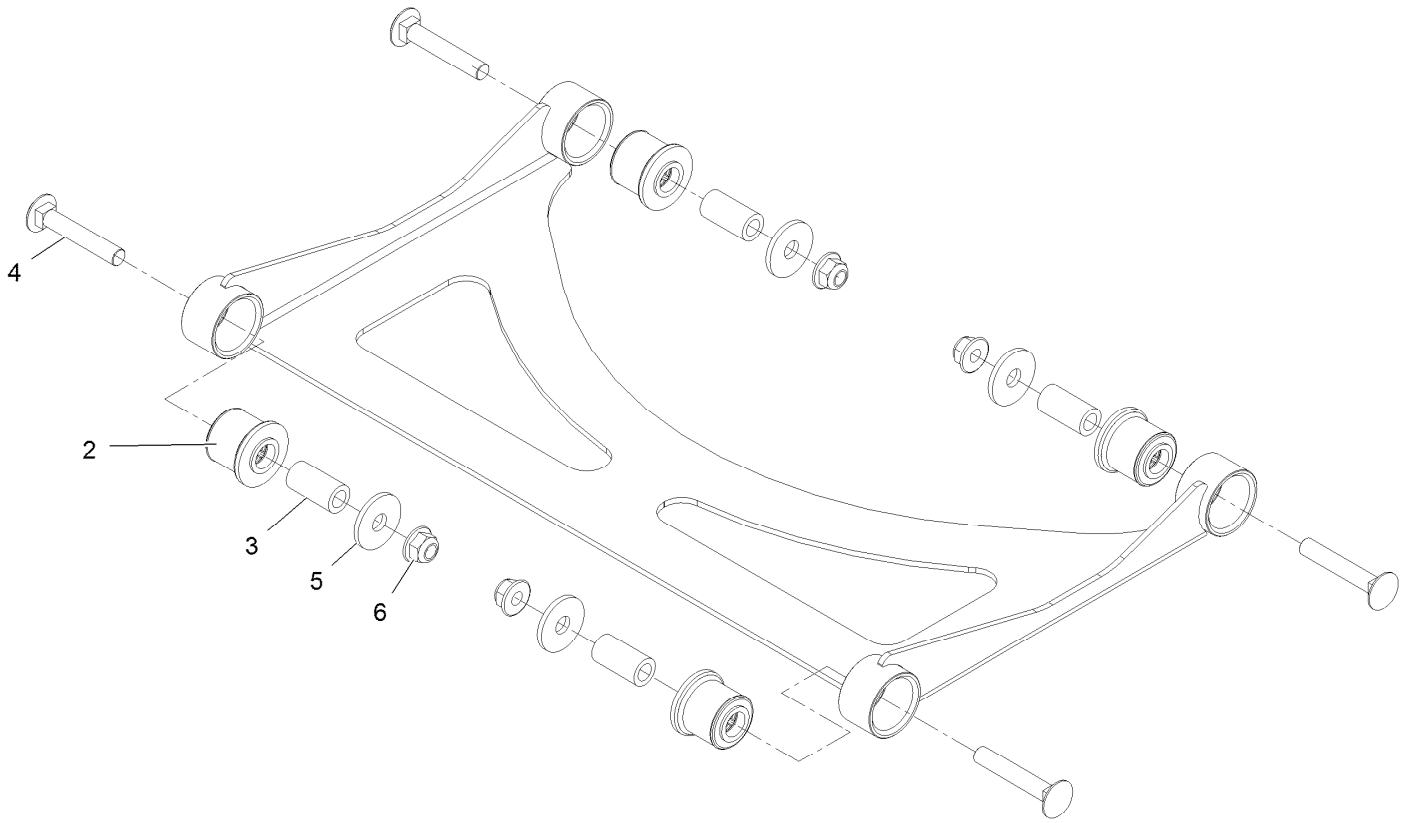
Deck Lift Assembly



Deck Lift Assembly (continued)

<i>Ref.</i>	<i>Part Number</i>	<i>Qty.</i>	<i>Description</i>	<i>Ref.</i>	<i>Part Number</i>	<i>Qty.</i>	<i>Description</i>
1	142-3574	1	ASM, Deck Strut	24	32151-103	2	E-Ring
2	135-1248	4	Bushing, Igus	25	119-2332	2	Washer-Flat
3	135-4586-03	1	Weld, Bellcrank, Rt	26	109-9066	4	Yoke-Adjust, Deck
4	142-2300-03	1	Weld, HOC Index	27	116-0756	4	Deck Lift Chain ASM
6	135-7940	1	ASM, HOC Lever	27:1	1-633447	1	Chain-Lift, Deck
7	119-7640	1	Washer-Thrust	27:2	109-9065	1	Screw-HH 7/16-14 X 2
8	135-7782-03	1	Strap, HOC Index	27:3	32128-37	1	Nut-Whizlock 7/16-14
9	135-4585-03	1	Weld, HOC Cross Shaft	28	115-5065	2	Bushing-Flange
10	135-1253-03	2	Strap, HOC Lift	29	116-2887	2	Gusset-Lift, Deck
11	99-5107	4	Nut-Lock 1/2-13	30	116-0886	1	Spring-Extension
12	135-4587-03	1	Weld, Bellcrank	31	92-7674	1	Screw-Shcs 3/8-16 X 2.212
13	135-1259	3	Bolt, Shoulder	32	109-9840	4	Screw-Hex Flange 3/8-16 X .80
14	126-5401	1	Pin-HOC	33	32128-37	4	Nut-Whizlock 7/16-14
15	3218-3	2	Nut-Jam 3/8-16	34	322-47	4	Screw-HH 5/16-18 X 1 1/4
16	323-50	1	Bolt-HH	35	3218-2	8	Nut-Jam 5/16-18
17	109-6658	3	Nut-Nyloc 3/8-16 Flg	36	104-8301	4	Nut-Nyloc 3/8-16 Flg
18	3231-22	3	Bolt-Carriage 3/8-16 X 1	37	104-8300	4	Nut-Nyloc 5/16-18 Flg
19	3234-38	1	Screw-HHF	38	3230-2	4	Bolt-Carriage 5/16-18 X 1
20	142-2181	1	Pivot, HOC Lever	39	135-2280	1	Decal-Height Of Cut
21	3256-67	1	Washer	40	135-5337	1	Pad, Knee
22	135-3944	1	Spacer, HOC	41	142-2216	1	Screw, 1/4-20 X 3/8 PH Torx
23	135-3945	1	Screw-HSBH				

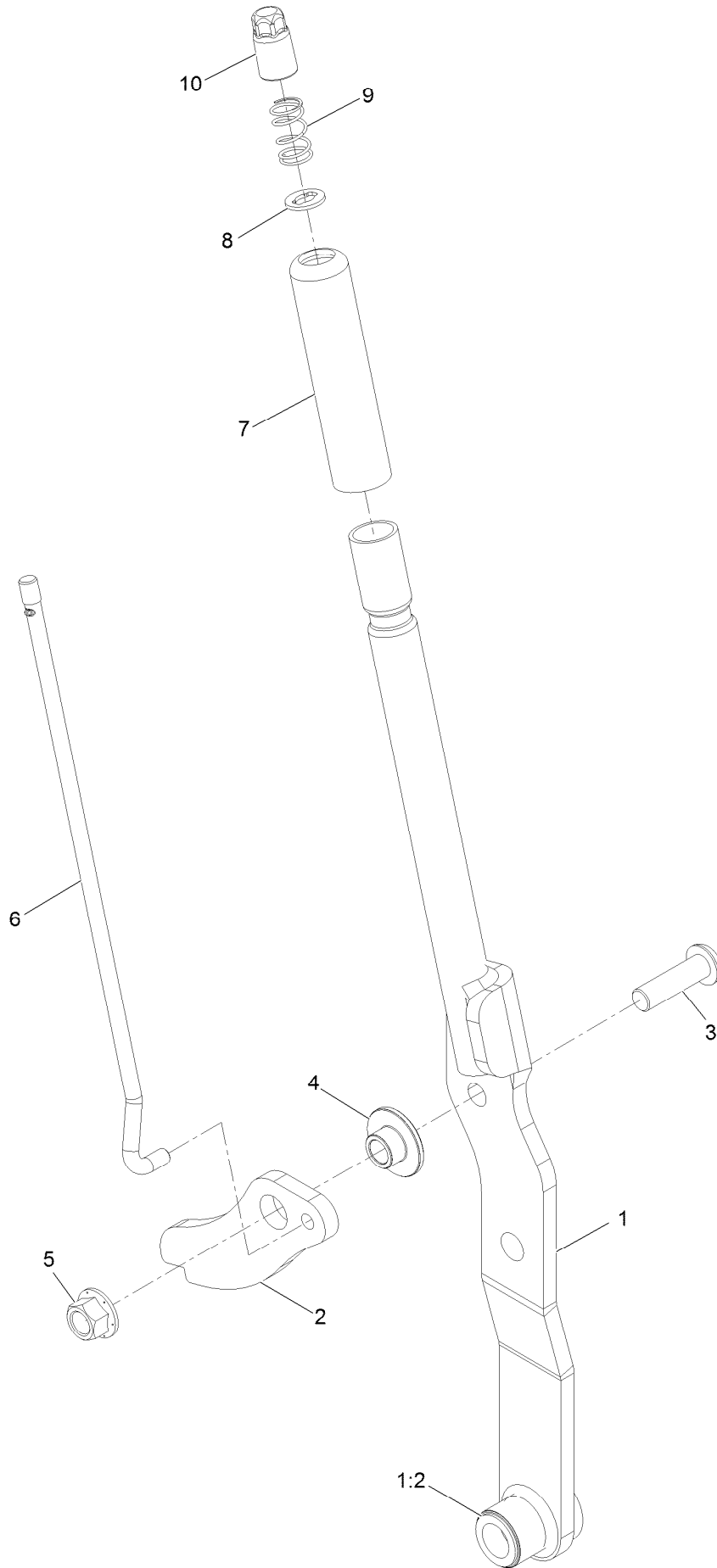
Deck Strut Assembly



Deck Strut Assembly (continued)

<i>Ref.</i>	<i>Part Number</i>	<i>Qty.</i>	<i>Description</i>	<i>Ref.</i>	<i>Part Number</i>	<i>Qty.</i>	<i>Description</i>
2	137-4108	4	Bushing-Rubber	5	2844	4	Washer
3	108-6544	4	Spacer	6	104-8301	4	Nut-Nyloc 3/8-16 Flg
4	3231-7	4	Bolt-Carriage 3/8-16 X 2 1/4				

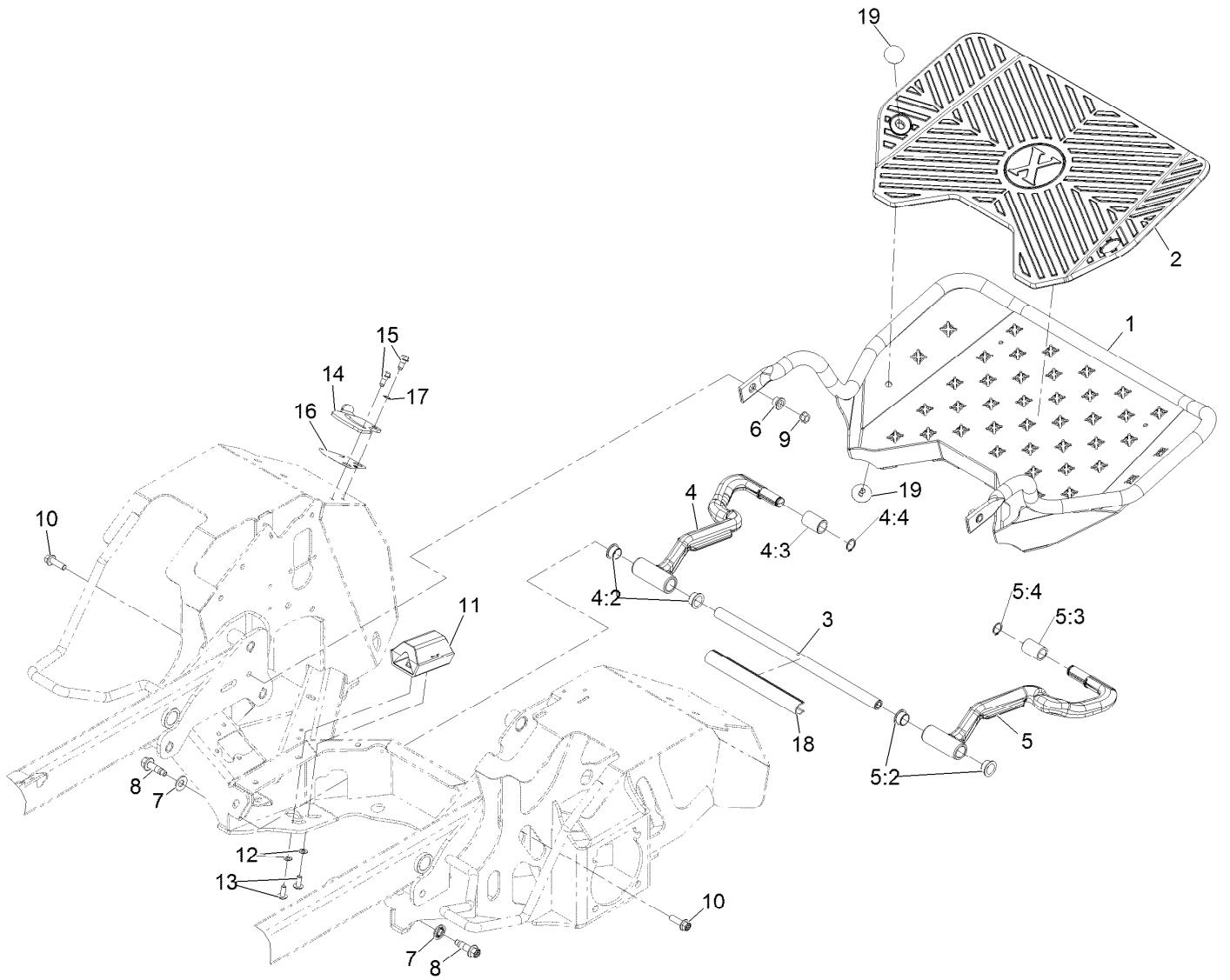
Height of Cut Lever Assembly



Height of Cut Lever Assembly (continued)

<i>Ref.</i>	<i>Part Number</i>	<i>Qty.</i>	<i>Description</i>	<i>Ref.</i>	<i>Part Number</i>	<i>Qty.</i>	<i>Description</i>
1	135-7939	1	ASM, HOC Lever W/ Bushings	5	99-5107	1	Nut-Lock 1/2-13
1:2	109-8054	2	Bushing-Flanged	6	135-1260	1	Linc, HOC
2	135-1209	1	Arm, Transport Lock	7	115-3592	1	Grip
3	108-1993	1	Screw-HSBH	8	114-1207	1	Washer-Special
4	135-3954	1	Spacer	9	114-8187	1	Spring-Compression
				10	135-7809	1	Button, Push

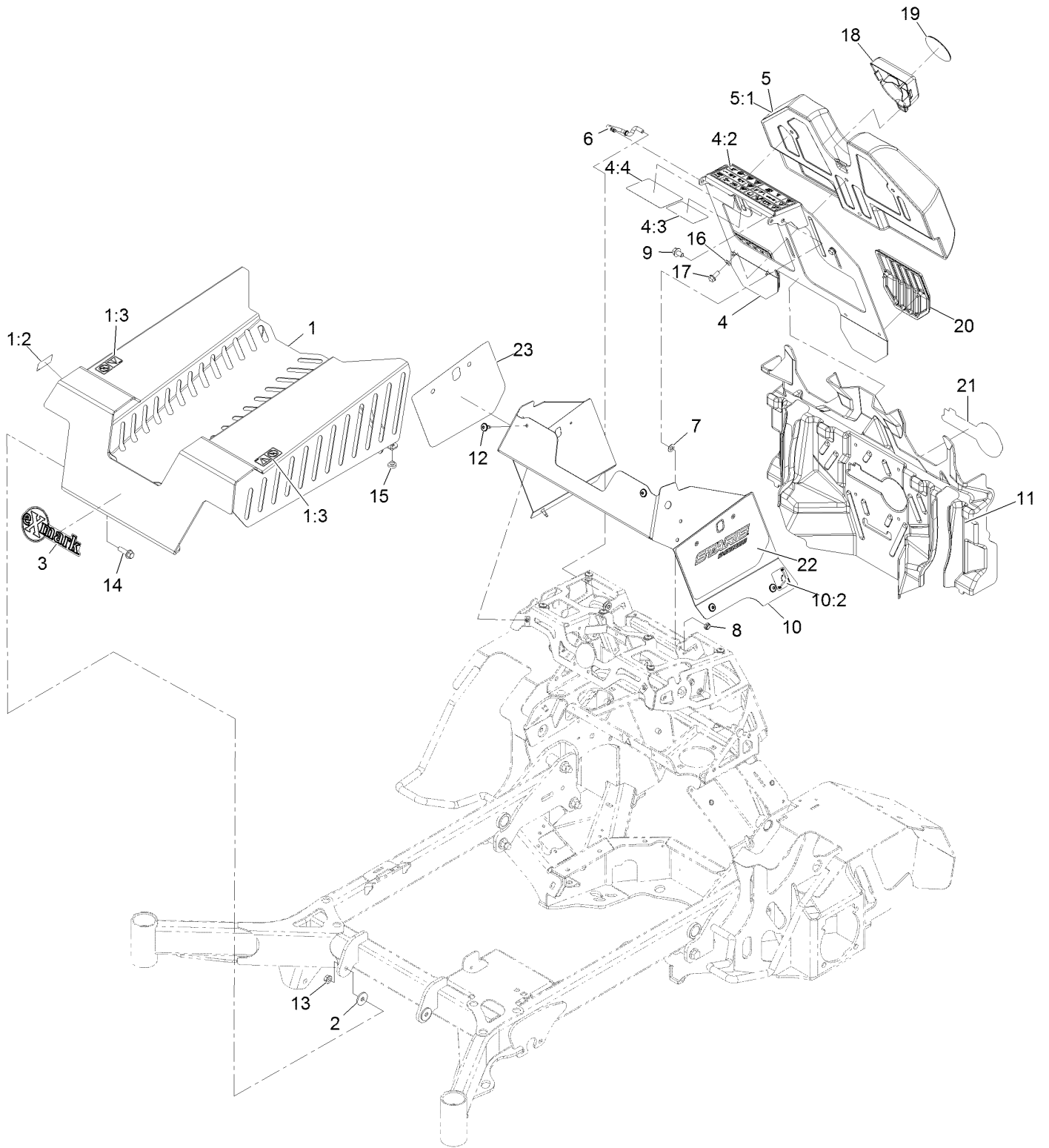
Platform Assembly



Platform Assembly (continued)

<i>Ref.</i>	<i>Part Number</i>	<i>Qty.</i>	<i>Description</i>	<i>Ref.</i>	<i>Part Number</i>	<i>Qty.</i>	<i>Description</i>
1	142-2748-05	1	Weld, Platform	9	32128-21	2	Nut-3/8-16 Flanged Side Lock
2	142-3129	1	Mat, Platform	10	135-4712	2	Screw, HHF
3	135-1336	1	Shaft, Cross	11	135-3993	2	Bumper
4	135-2237	1	ASM, Rt Arm W/ Bushings	12	3255-8	4	Washer-Lock 5/16 (Ext-Tooth)
4:2	109-8054	2	Bushing-Flanged	13	126-6268	4	Screw-Truss HD 5/16-18 X 3/4 Torx Plus
4:3	135-6438	1	Bushing, Sleeve	14	142-2492-03	1	Latch, Platform
4:4	32120-72	1	Ring-Snap	15	126-4424	2	Screw-Shoulder
5	135-2236	1	ASM, Lt Arm W/ Bushings	16	135-5206	1	Decal-Latch Lock
5:2	109-8054	2	Bushing-Flanged	17	142-2432	1	Washer, Wave
5:3	135-6438	1	Bushing, Sleeve	18	135-7563	1	Keeper
5:4	32120-72	1	Ring-Snap	19	142-3247	4	Rivet-Ratchet
6	109-8788	2	Bushing-Flanged				
7	1-603610	2	Washer-Spring Disc 7/16				
8	135-7001	2	Screw-HHF				

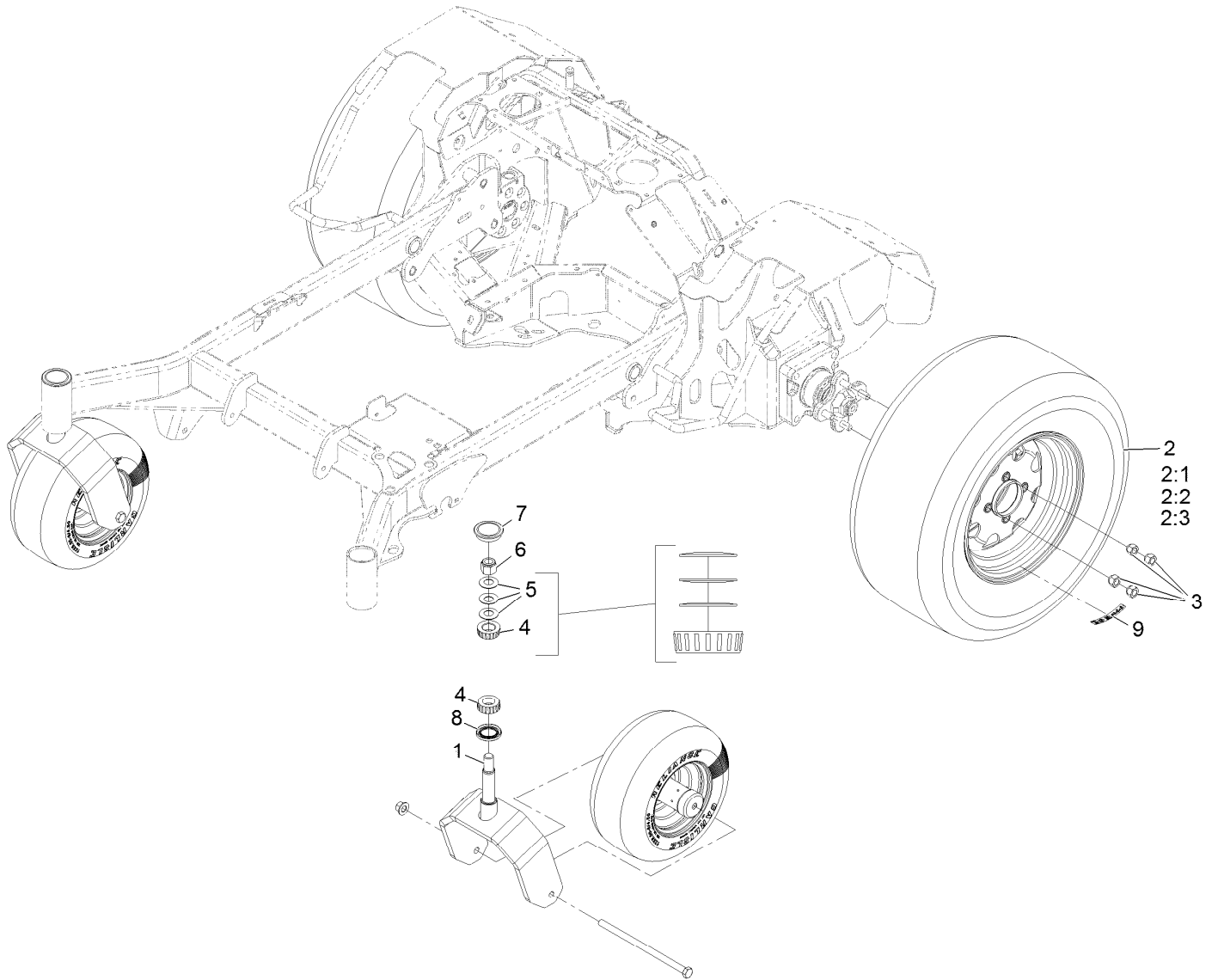
Guarding Assembly



Guarding Assembly (continued)

<i>Ref.</i>	<i>Part Number</i>	<i>Qty.</i>	<i>Description</i>	<i>Ref.</i>	<i>Part Number</i>	<i>Qty.</i>	<i>Description</i>
1	135-2163	1	ASM, Front Cover W/ Decals	10	135-2164	1	ASM, Tower Skin W/ Decals
1:2	106-5517	1	Decal-Warning	10:2	116-5988	1	Decal-Park Brake, CE
1:3	119-6807	2	Decal-Warning	11	142-2889	1	Panel, Heat Deflector
2	107675	2	Washer	12	135-3494	6	Screw, Torx
3	126-6877	1	Decal, Exmark Logo	13	32128-21	2	Nut-3/8-16 Flanged Side Lock
4	135-2162	1	ASM, Pad Backing W/ Decals	14	119-4061	2	Screw-HHF
4:2	135-2412	1	Decal-Warning	15	1-513658	2	Bumper
4:3	116-8253	1	Decal-Drive Release	16	3290-475	3	Washer-Belleville
4:4	135-2266	1	Decal-Service Aid	17	100-1668	3	Screw-HHF
5	135-1320	1	Pad, Thigh	18	135-2596	1	Insert, Pad
5:1	135-6556	1	Cover, Pad	19	135-2714	1	Decal-X Logo Badge 3 In
6	135-1611	1	Rod, Prop	20	135-5107	2	Pad, Knee
7	131-8667	2	Washer-Thrust	21	135-7280	1	Decal-Exmark Logo
8	3296-59	2	Nut-Nyloc 3/8-16 Thin	22	135-6809	1	Decal-Staris Logo Lt
9	3234-9	2	Screw-HHF	23	135-6810	1	Decal-Staris Logo Rt

Drive Wheel Assembly

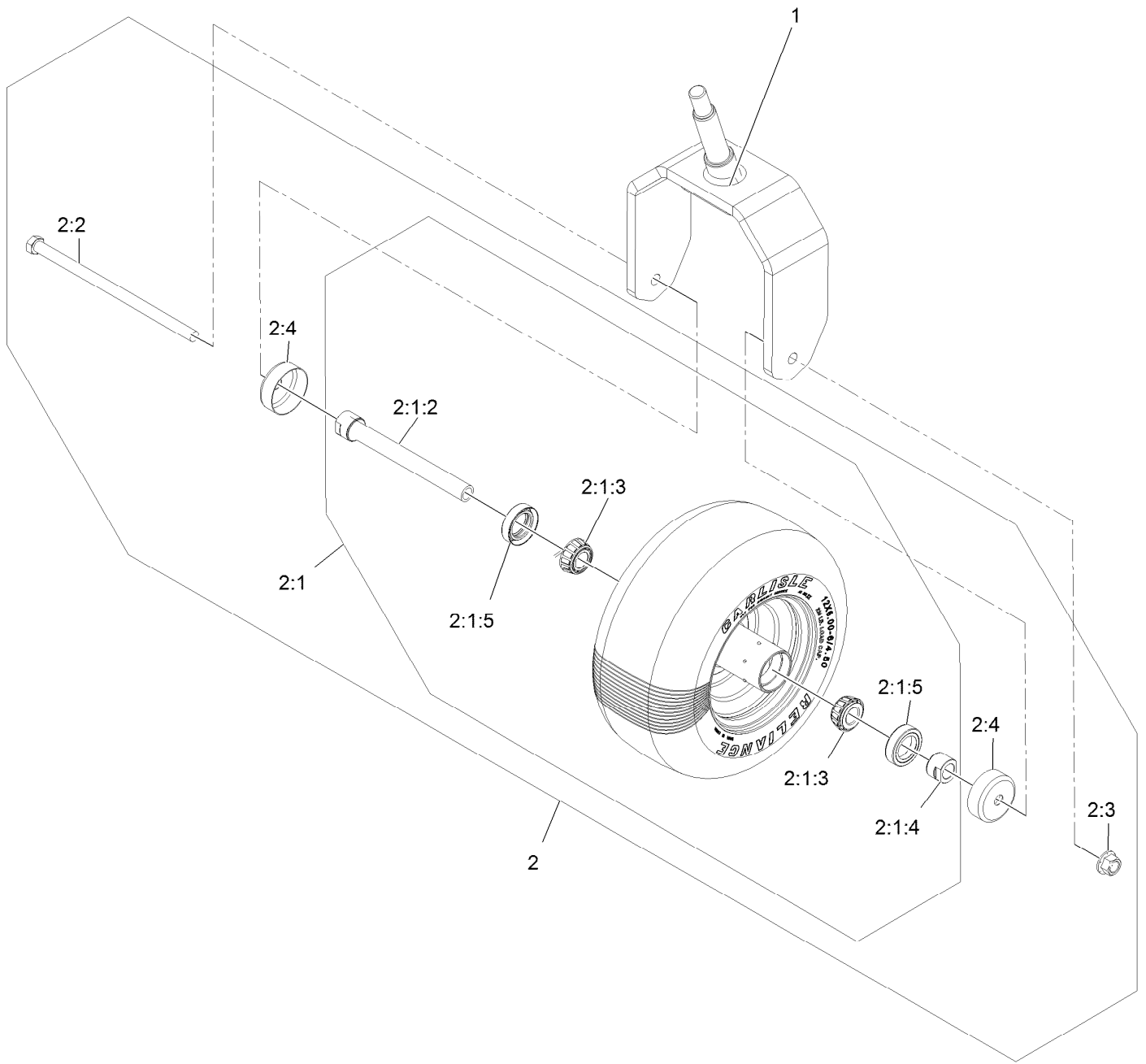


Drive Wheel Assembly (continued)

<i>Ref.</i>	<i>Part Number</i>	<i>Qty.</i>	<i>Description</i>	<i>Ref.</i>	<i>Part Number</i>	<i>Qty.</i>	<i>Description</i>
1		2	ASM, Caster, 12X6-6●	5	1-633508	6	Washer-Bellville
2	135-2215	2	ASM, Wheel And Tire	6	3296-51	2	Nut-Lock, NI
2:1	135-2216	1	Tire, 23 X 9.50-12	7	103-4882	2	Cap-Grease
2:2	135-2170	1	Rim, 12 X 7	8	116-5647	2	Seal-Grease
2:3	232-27	1	Stem-Valve	9	126-2055	2	Decal-Torque, Wheel Hub Lug
3	242-50	8	Nut-Lug				
4	1-543509	4	Bearing-Roller, Tapered				

● Not serviced separately

Caster Wheel Assembly

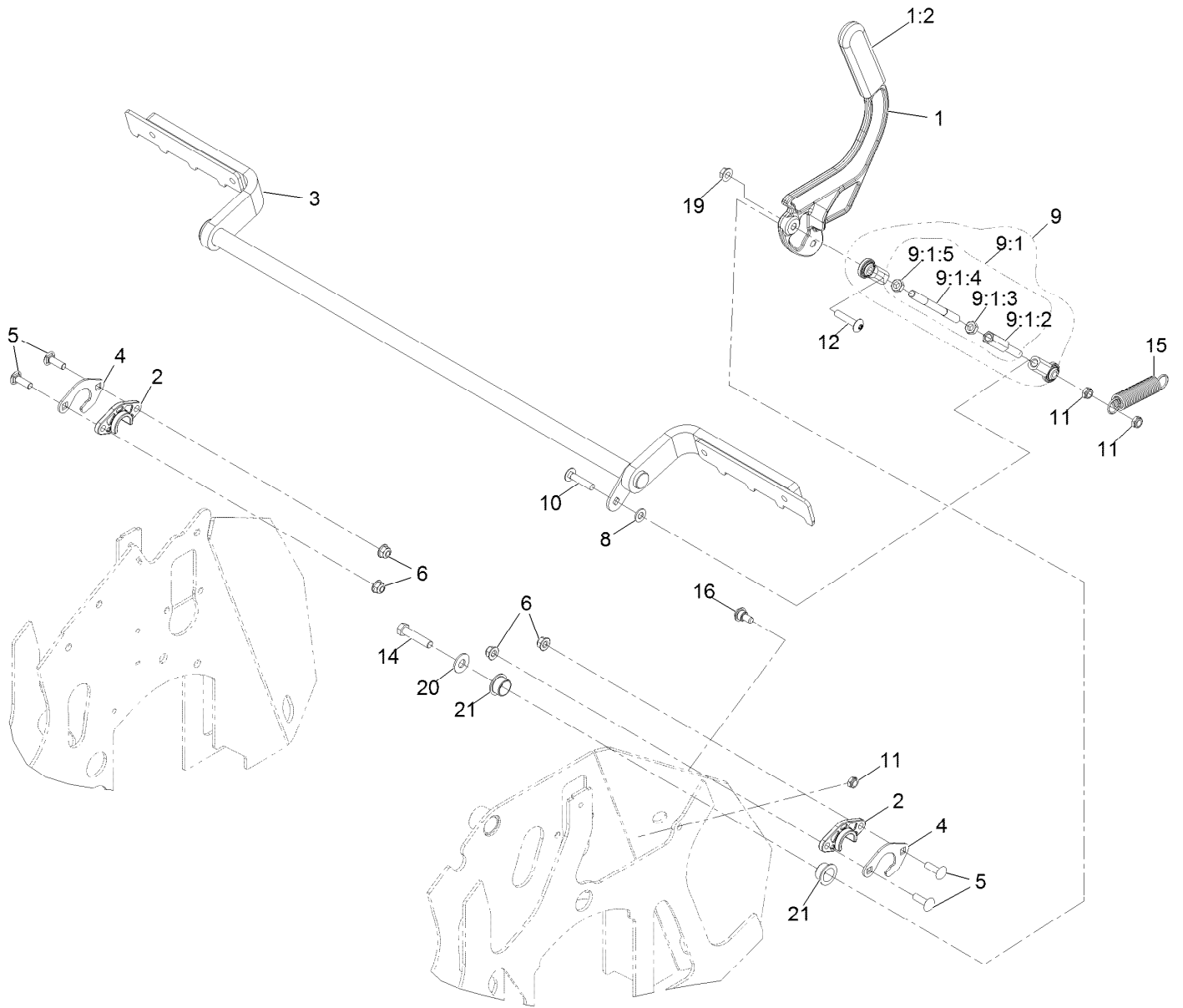


Caster Wheel Assembly (continued)

<i>Ref.</i>	<i>Part Number</i>	<i>Qty.</i>	<i>Description</i>	<i>Ref.</i>	<i>Part Number</i>	<i>Qty.</i>	<i>Description</i>
1	135-3598-01	1	Weld, Caster Fork	2:1:4	103-3051	1	Spacer-Nut
2	135-2148	1	ASM, Caster W/ Axle	2:1:5	103-0063	2	Seal-Caster
2:1		1	ASM, Caster W/ Bearings ●	2:2	325-39	1	Screw-HH
2:1:2	126-5361	1	Axle Caster ASM	2:3	99-5107	1	Nut-Lock
2:1:3	1-633585	2	Bearing-Cone, Taper	2:4	103-2768	2	Guard-Seal

● Not serviced separately

Park Brake Assembly

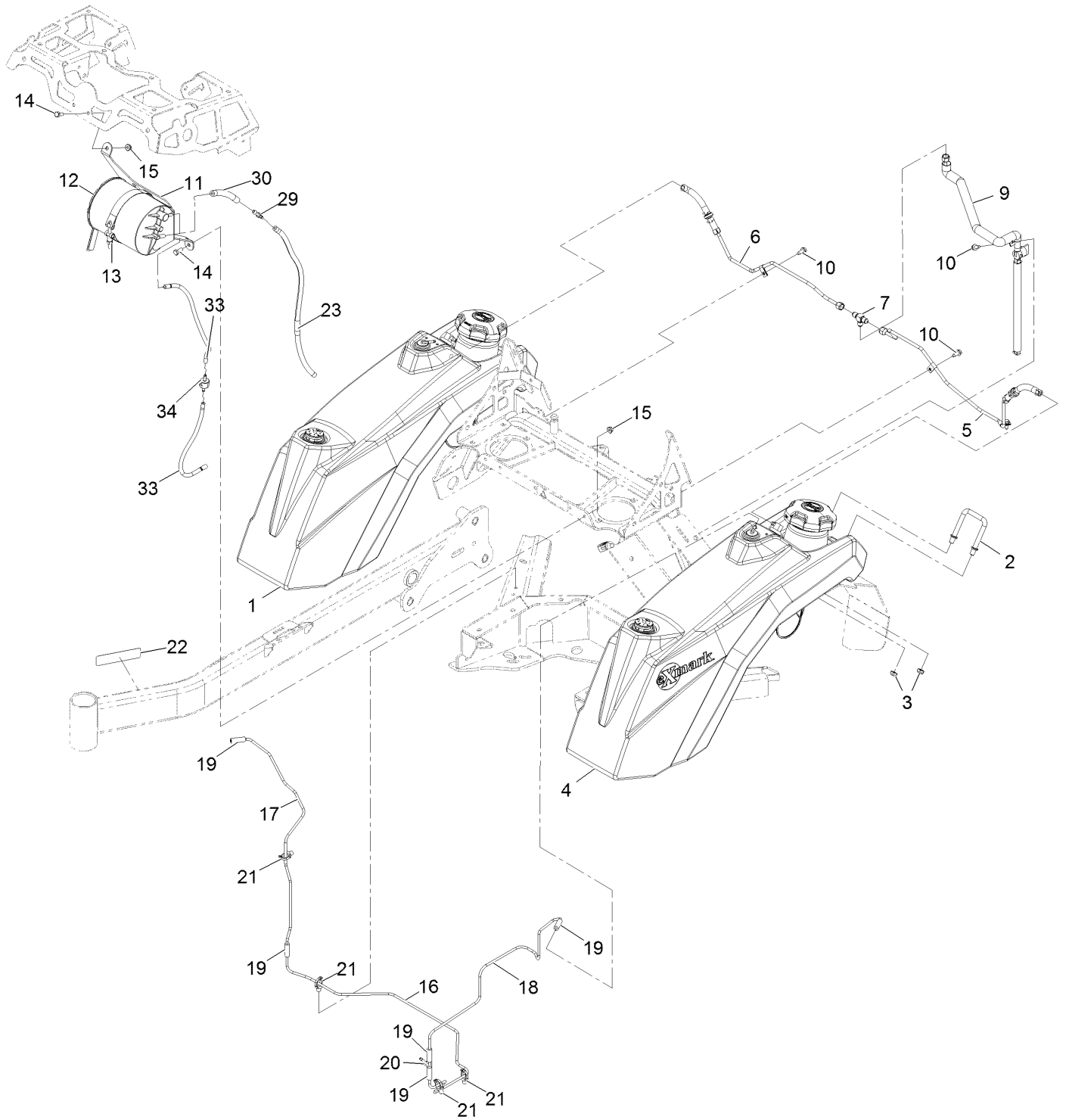


Park Brake Assembly (continued)

<i>Ref.</i>	<i>Part Number</i>	<i>Qty.</i>	<i>Description</i>	<i>Ref.</i>	<i>Part Number</i>	<i>Qty.</i>	<i>Description</i>
1	142-2413	1	ASM, Brake Lever W/ Grip	9:1:5	3220-3	1	Nut-Jam 3/8-24
1:2	1-633268	1	Grip-Lever	10	3230-4	1	Bolt-Carriage 5/16-18 X 1 1/2
2	115-5065	2	Bushing-Flange	11	3296-47	3	Nut-Nyloc 5/16-18 Thin
3	142-3739-03	1	Weld-Brake Shaft	12	126-7439	1	Screw-Truss HD 5-16-18 X 1 1/2 Torx Plus
4	135-7867	2	Support, Bearing	14	323-52	1	Screw-HH 3/8-16 X 1 3/4
5	3230-22	4	Bolt-Carriage 5/16-18 X 1 Sp	15	1-323161	1	Spring
6	104-8300	4	Nut-Nyloc 5/16-18 Flg	16	120-9471	1	Screw-Shoulder Bh 5/16-18 X 1/2 Tf Torx
8	3256-23	1	Washer-5/16 SAE	19	32128-25	1	Nut-Hex 5/16-18 Side Lock
9	135-7116	1	ASM, Linkage	20	3256-4	1	Washer-3/8 Std
9:1		1	ASM, Motion Control Link ●	21	135-7091	2	Bushing, Igus
9:1:2	116-4755	1	Rod-Adjustment				
9:1:3	3220-16	1	Nut-Jam 3/8-24 LH				
9:1:4	135-1291	1	Link, Motion Control				

● Not serviced separately

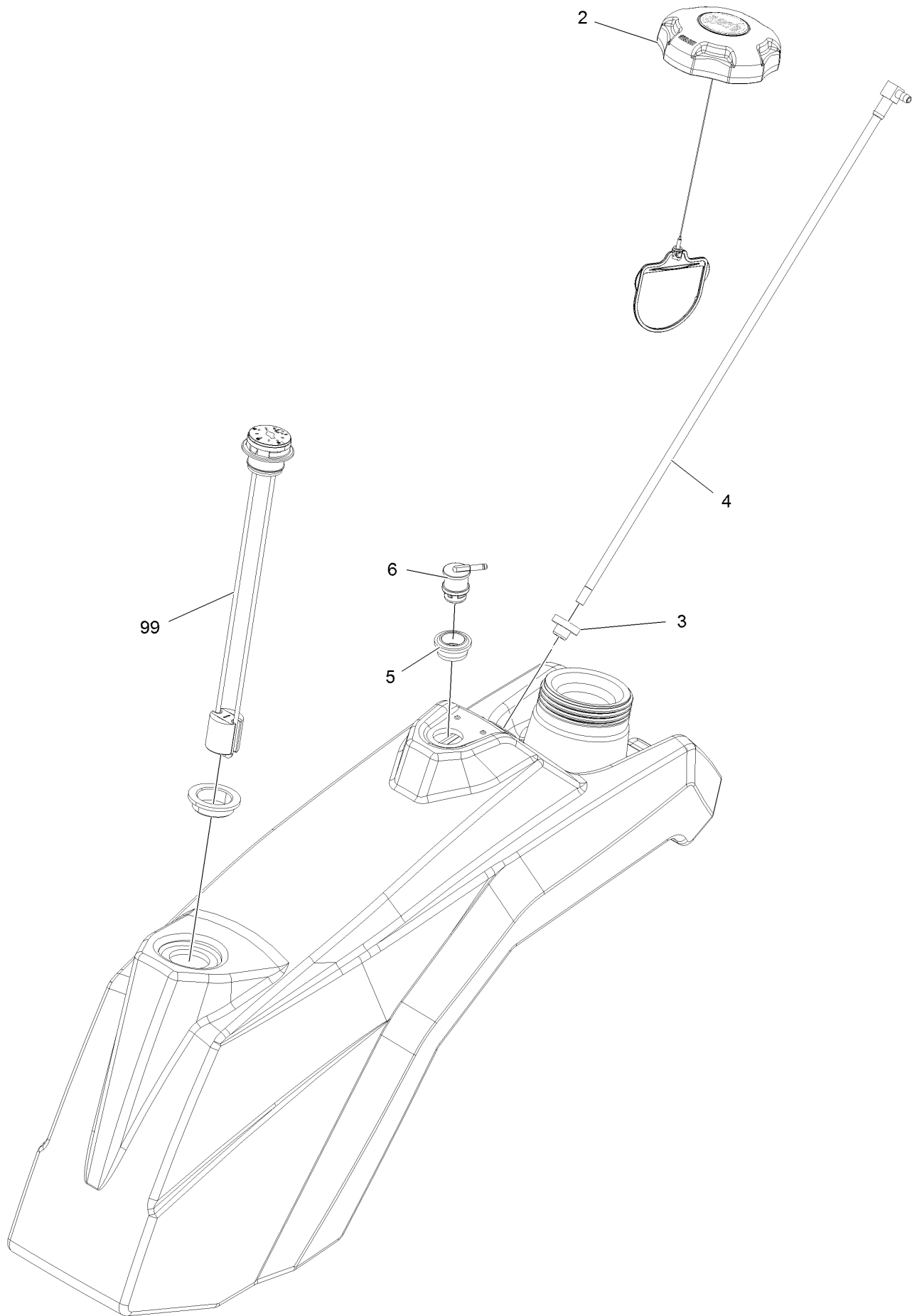
Fuel Assembly



Fuel Assembly (continued)

<i>Ref.</i>	<i>Part Number</i>	<i>Qty.</i>	<i>Description</i>	<i>Ref.</i>	<i>Part Number</i>	<i>Qty.</i>	<i>Description</i>
1	135-2227	1	ASM, Rt Fuel Tank	15	104-7201	3	Nut-Nyloc 1/4-20 Flg
2	135-7299	2	Clamp, Tank	16	135-2219	1	Line, Vent, Main
3	3296-59	4	Nut-Nyloc 3/8-16 Thin	17	135-2221	1	Line, Vent, Right
4	135-2225	1	ASM, Lt Fuel Tank	18	135-7097	1	Line, Vent, Left
5	142-3597	1	ASM, Left Fuel Line	19	51-3216	5	Hose-Fuel
6	142-3598	1	ASM, Right Fuel Line	20	135-2222	1	Fitting, 3/16" Y
7	135-2203	1	Fitting, 2603-4-4-4	21	32180-030	4	Clip-Tie
9	142-3600	1	ASM, Koh Fuel Line	22	133-8062	1	Decal-Arrestor, Spark
10	32144-10	5	Screw-HWH 1/4-20 X .62	23	135-3950	1	Hose, Vent
11	135-1928-03	1	Bracket, Carbon Canister	29	106-8150	1	Fitting-Straight
12	116-1442	1	Canister-Carbon, 1200Cc	30	105-8342	1	Hose-Fuel
13	116-2228	1	Clamp, T-Bolt	33	119-4235	2	Hose-Vent, Formed
14	321-39	3	Screw-HH	34	133-8499	1	Valve-Check, Vacuum

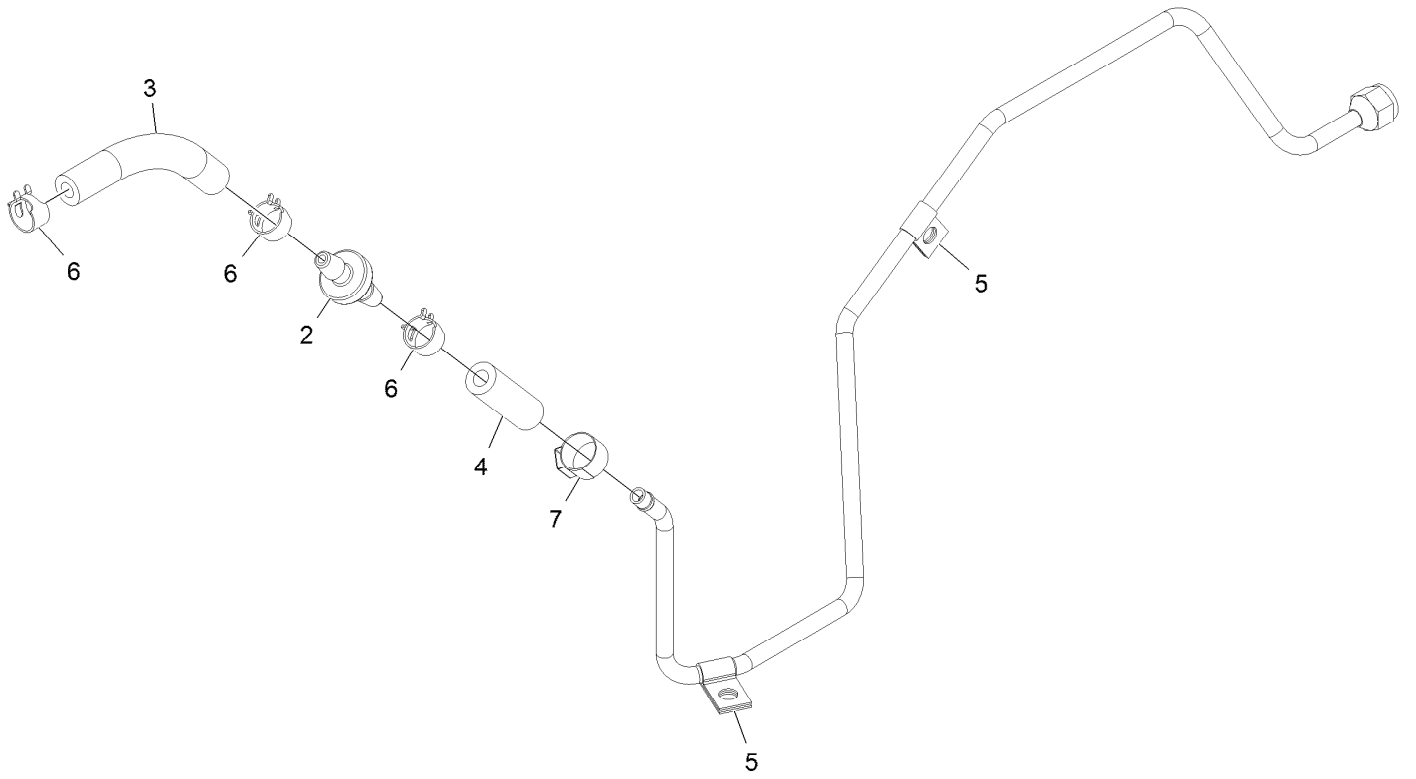
Right Fuel Tank Assembly



Right Fuel Tank Assembly (continued)

<i>Ref.</i>	<i>Part Number</i>	<i>Qty.</i>	<i>Description</i>	<i>Ref.</i>	<i>Part Number</i>	<i>Qty.</i>	<i>Description</i>
2	137-4119	1	Cap-Fuel, Ratcheting	5	114-0284	1	Grommet
3	46-6560	1	Bushing	6	119-3547	1	Valve-Vent, Fuel
4	135-1916	1	Straw, Fuel, Short	99	135-3987	1	Kit, Fuel Gauge

Left Fuel Line Assembly

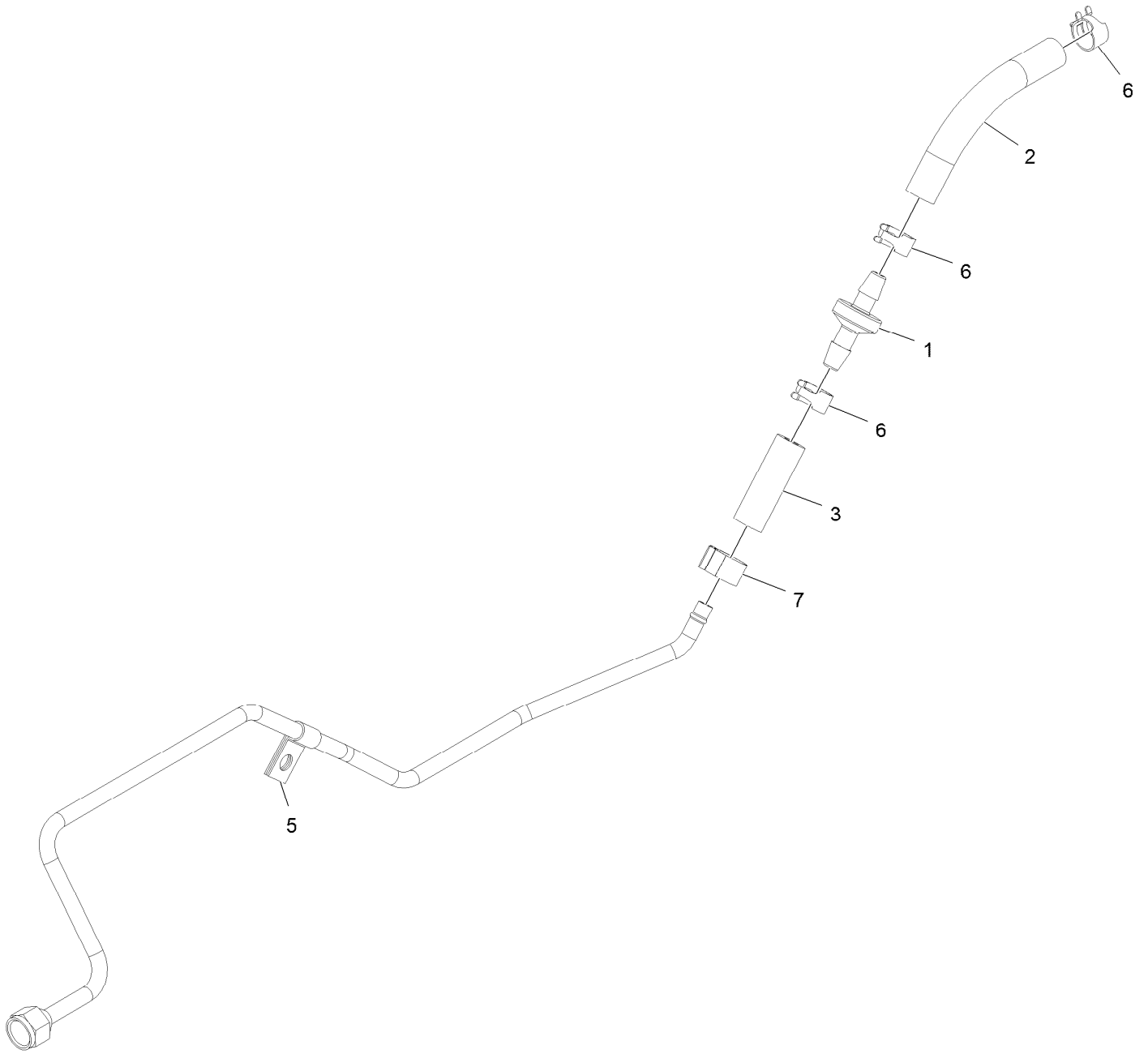


Left Fuel Line Assembly (continued)

<i>Ref.</i>	<i>Part Number</i>	<i>Qty.</i>	<i>Description</i>	<i>Ref.</i>	<i>Part Number</i>	<i>Qty.</i>	<i>Description</i>
2	99-5000	1	Valve-Check, Fuel	5	2412-72	2	Clip-Closed, Insulated
3	105-8342	1	Hose-Fuel	6	2412-98	3	Clamp-Hose
4		1	Hose-Fuel ●	7		1	Clamp-Hose, Fuel ●

● Not serviced separately

Right Fuel Line Assembly

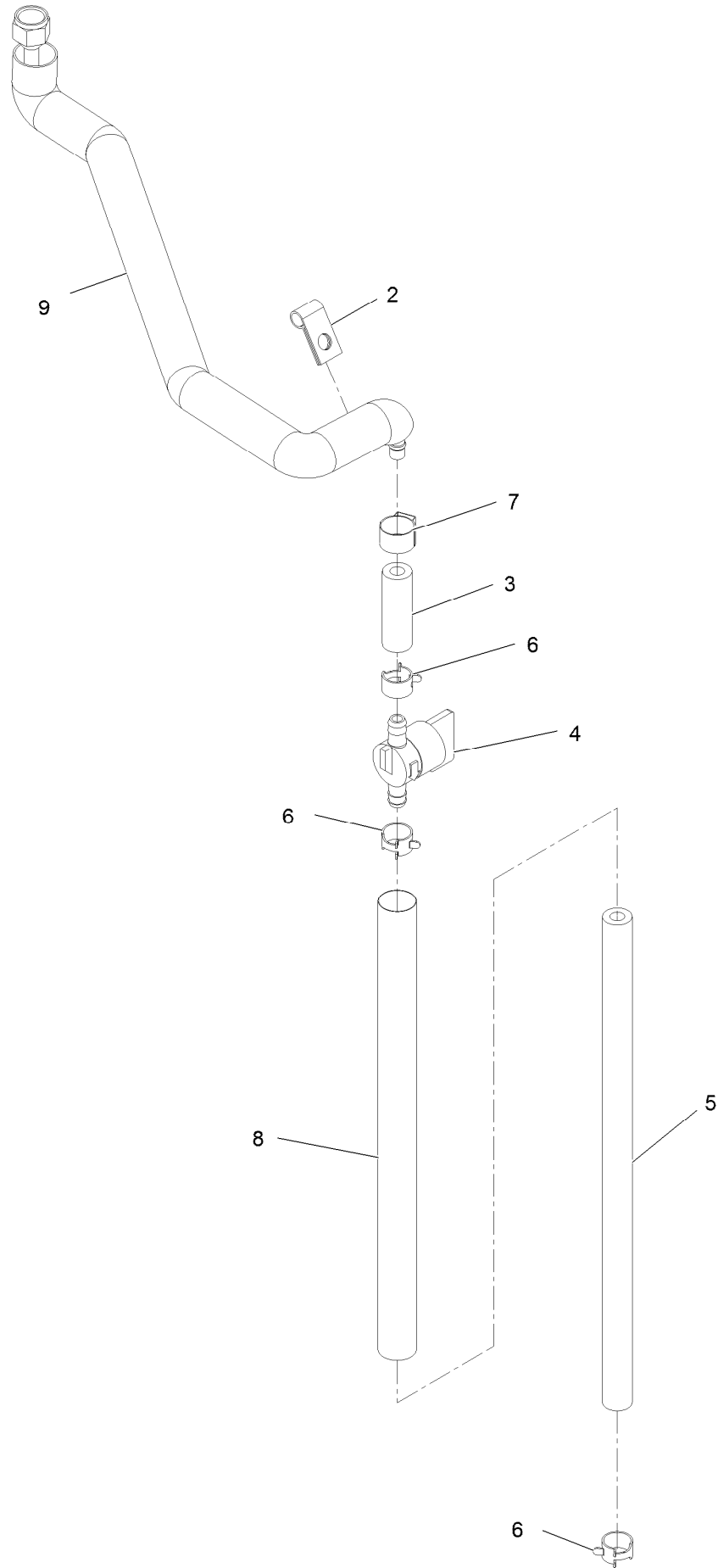


Right Fuel Line Assembly (continued)

<i>Ref.</i>	<i>Part Number</i>	<i>Qty.</i>	<i>Description</i>	<i>Ref.</i>	<i>Part Number</i>	<i>Qty.</i>	<i>Description</i>
1	99-5000	1	Valve-Check, Fuel	5	2412-72	1	Clip-Closed, Insulated
2	105-8342	1	Hose-Fuel	6	2412-98	3	Clamp-Hose
3		1	Hose-Fuel ●	7		1	Clamp-Hose, Fuel ●

● Not serviced separately

Fuel Line Assembly

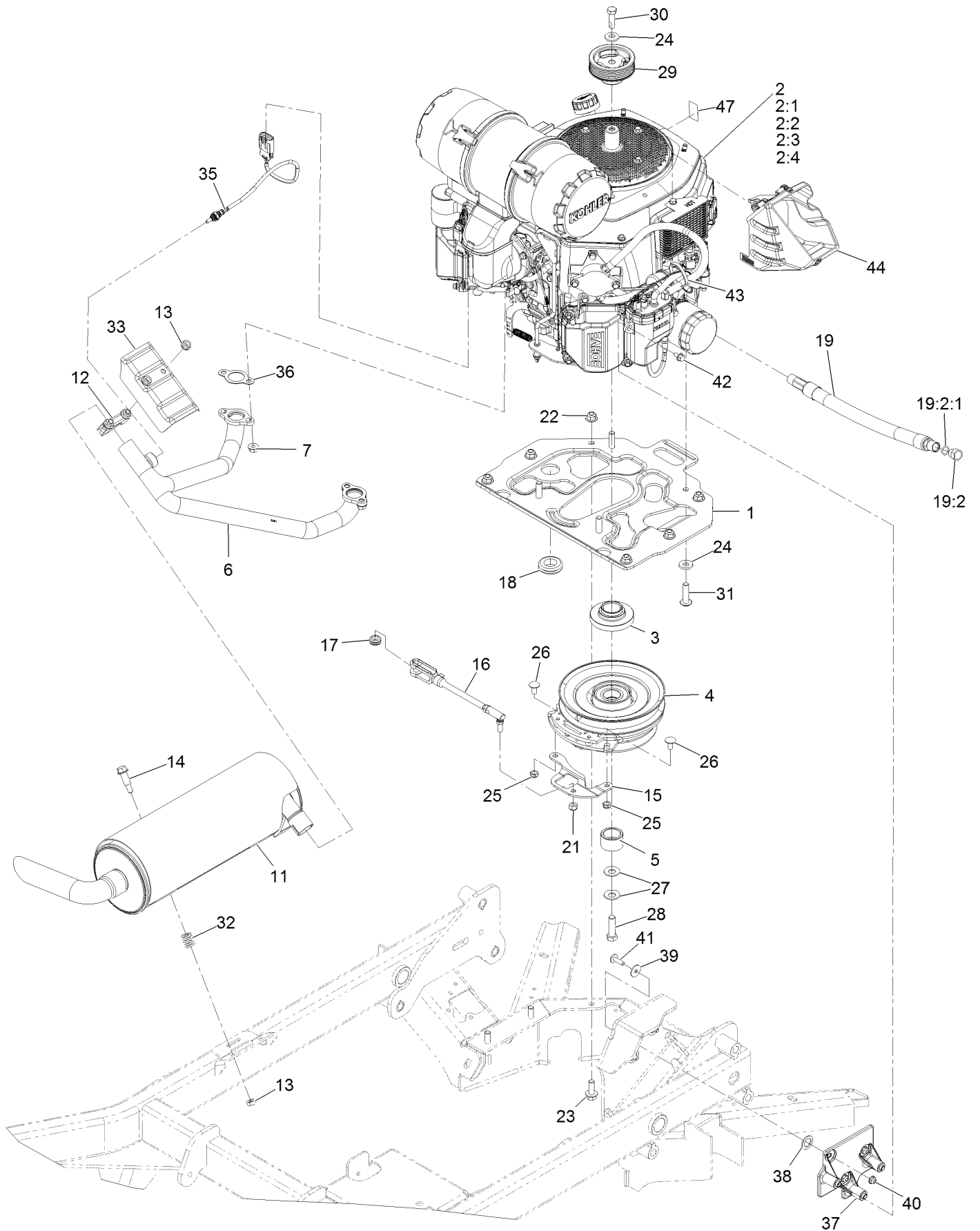


Fuel Line Assembly (continued)

<i>Ref.</i>	<i>Part Number</i>	<i>Qty.</i>	<i>Description</i>	<i>Ref.</i>	<i>Part Number</i>	<i>Qty.</i>	<i>Description</i>
2	2412-72	1	Clip-Closed, Insulated	6	2412-98	3	Clamp-Hose
3		1	Hose-Fuel ●	7		1	Clamp-Hose, Fuel ●
4	1-603770	1	Valve-Fuel	8	135-6549	1	Sleeve, Thermal
5	109-0282	1	Hose-Fuel	9	121-4404	1	Sleeve-Thermal,

● Not serviced separately

Engine Assembly



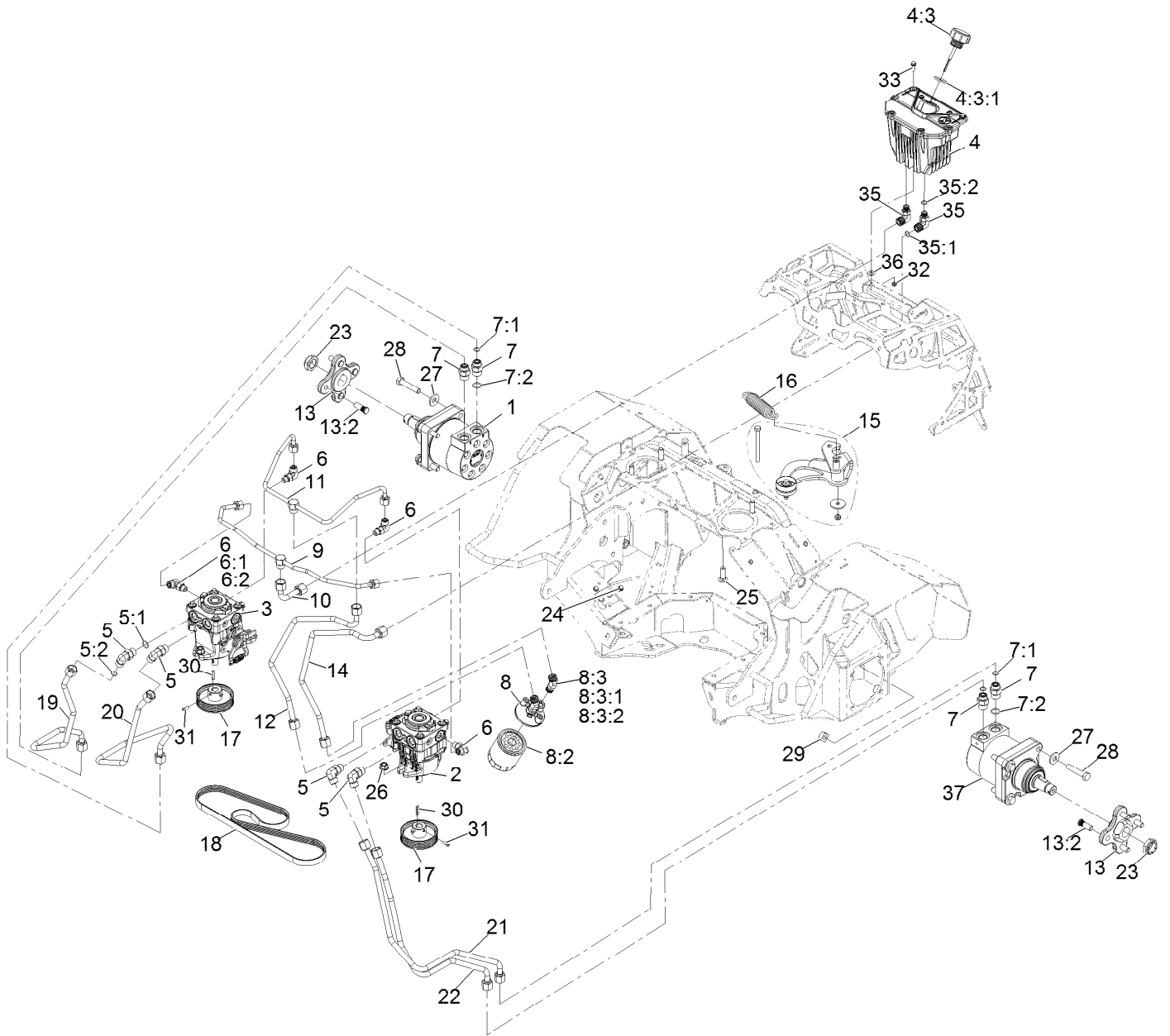
Engine Assembly (continued)

<i>Ref.</i>	<i>Part Number</i>	<i>Qty.</i>	<i>Description</i>	<i>Ref.</i>	<i>Part Number</i>	<i>Qty.</i>	<i>Description</i>
1	135-1615-03	1	Plate, Engine	19:2:1	237-42	1	O-Ring
2		1	Engine, Kohler Cv730 EFI ▲◆	21	3296-4	1	Nut-Lock
2:1		1	Kohler 52 050 02-S Engine Oil Filter ▲◆	22	104-8301	6	Nut-HF, NI
2:2		1	Kohler 25 083 01-S Engine Air Filter ▲◆	23	3234-42	6	Screw-HHF
2:3		1	Kohler 25 083 04-S Safety Filter ▲◆	24	98-5975	5	Washer-Belleville
2:4		1	Kohler 25 050 42-S Fuel Filter ▲◆	25	3296-47	2	Nut-Lock, NI
3	142-3593	1	Spacer, Clutch 1.13	26	3230-18	2	Screw-CARR
4	142-3587	1	Clutch	27	1-603610	2	Washer-Spring
5	135-1308	1	Spacer, Clutch	28	109-9761	1	Screw-HH
6	135-5095	1	Header, Kohler	29	135-1198	1	Pulley, Crank
7	68-9400	4	Nut-Flange	30	135-7890	1	Screw-HH, Patch,
11	142-3577	1	Muffler, 5"	31	126-0983	4	Screw-BHTF
12	104-4090	1	Clamp-Muffler	32	135-6667	2	Spring, Compression
13	32128-25	4	Nut-HF	33	135-7527	1	Shield, Heat
14	130-2344	2	Bolt-Shoulder	35	135-6594	1	Sensor, Mini O2
15	135-1589	1	Strap, Clutch	36	110-6697	2	Gasket-Exhaust
16	126-0620	1	ASM, Clutch Anchor	37	136-6346	1	Bracket-Pump, Fuel
17	237-136	1	Grommet	38	121-6840	3	Washer-Rubber
18	1-543286	1	Grommet	39	3256-67	3	Washer
19	116-5108	1	Oil Drain Hose ASM	40	104-7201	3	Nut-HF
19:2	353-508	1	Plug-HH ■	41	126-6269	3	Screw-Truss
				42	33103-012	3	Screw-HHF
				43	1-303335	2	Tie-Plastic ●
				44	135-6621	1	Duct, Air
				47	135-6844	1	Decal-10W-50 Oil
				48	142-3562	1	Stand-Off, Duct ●

● Not illustrated
▲ Not serviced separately

■ Torque to 24-26 ft-lb
◆ Obtain parts from www.kohlerplus.com

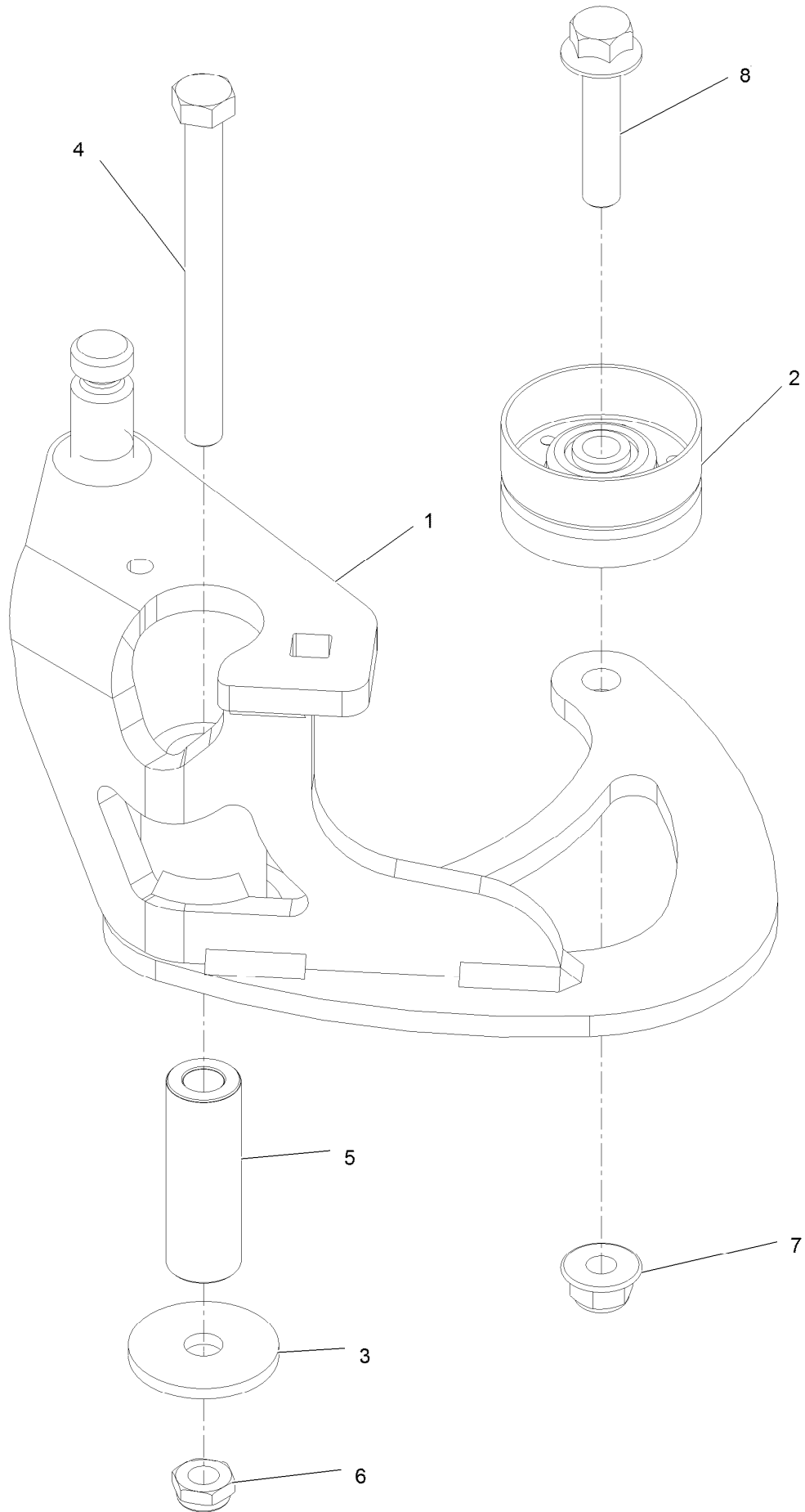
Hydraulic Assembly



Hydraulic Assembly (continued)

<i>Ref.</i>	<i>Part Number</i>	<i>Qty.</i>	<i>Description</i>	<i>Ref.</i>	<i>Part Number</i>	<i>Qty.</i>	<i>Description</i>
1	135-1162	1	Motor, T1195	14	135-7052	1	Line, Hydraulic, Supply
2	142-2933	1	Pump, 12Cc	15	135-1270	1	ASM, Idler Arm
3	142-2934	1	Pump, 12Cc	16	135-1272	1	Spring, Extension
4	135-3305	1	ASM, Hydraulic Reservoir	17	142-2968	2	Pulley, Pvk5
4:3	142-2793	1	Cap, Hydraulic	18	135-1196	1	Belt, Pvk5
4:3:1	142-2792	1	O-Ring	19	142-2819	1	Kit-Sts HYD Line B-A
5	340-98	4	Fitting-Elbow, 90 DEG	20	142-2820	1	Kit-Sts HYD Line A-B
5:1	237-79	1	O-Ring	21	142-2844	1	Kit, Hydraulic Line, A-B
5:2	237-30	1	O-Ring	22	142-2843	1	Kit, Hydraulic Line, B-A
6	340-77	4	Fitting-Elbow, 90 DEG	23	116-1399	2	Locknut
6:1	237-22	1	O-Ring	24	119-1065	2	Screw-HWH
6:2	237-42	1	O-Ring	25	3232-3	4	Bolt-Carriage 7/16-14 X 1 1/2
7	340-6	4	Fitting-Straight	26	114-8417	4	Nut-HF, NI
7:1	237-30	1	O-Ring	27	1-513435	8	Washer-Spring Disc 1/2
7:2	237-80	1	O-Ring	28	325-10	8	Screw-HH 1/2-13 X 2 1/2
8	142-2951	1	ASM, Filter Head	29	3290-510	8	Nut-Square
8:2	109-4180	1	Element, Oil Filter	30	135-7971	2	Key, 5Mm X 5Mm X 29Mm
8:3	340-96	2	Adapter	31	3241-7	4	Screw-SQH
8:3:1	237-30	1	O-Ring	32	3296-56	2	Nut-Nyloc 1/4-20 Thin
8:3:2	237-42	1	O-Ring	33	32105-15	2	Screw-Machine 1/4-20 X 3/4
9	135-7056	1	Line, Hydraulic, Case Tee	35	340-99	2	Fitting-HYD, 90 DEG
10	135-7054	1	Line, Hydraulic, Case	35:1	237-30	1	O-Ring
11	135-7055	1	Line, Hydraulic, Charge Tee	35:2	237-42	1	O-Ring
12	135-7053	1	Line, Hydraulic, Charge	36	73-0041	2	Washer-Thrust
13	135-2214	2	ASM, Hub W/ Studs	37	142-2840	1	Motor, T1195
13:2	116-1696	4	Stud-Wheel				

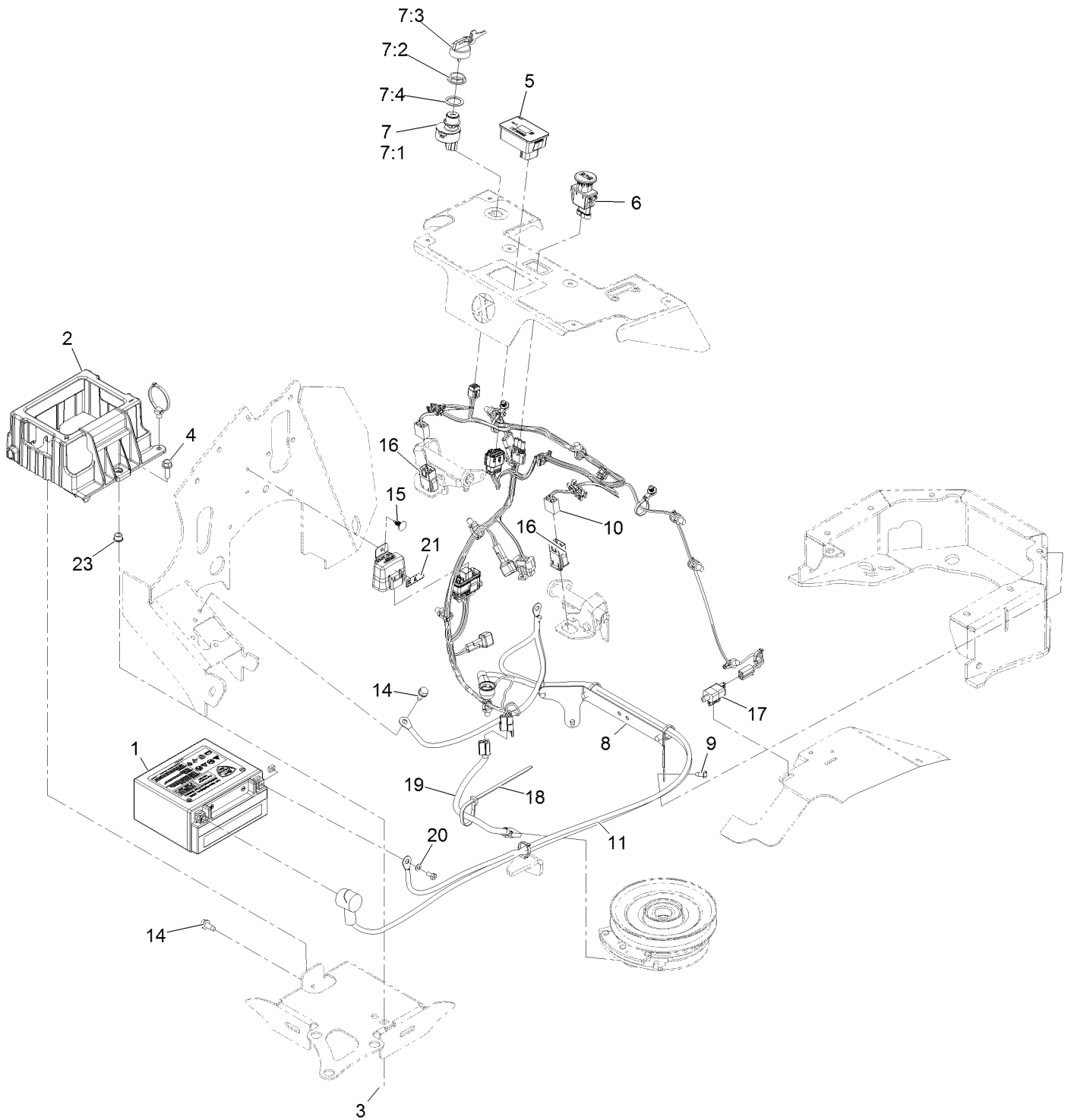
Idler Arm Assembly



Idler Arm Assembly (continued)

<i>Ref.</i>	<i>Part Number</i>	<i>Qty.</i>	<i>Description</i>	<i>Ref.</i>	<i>Part Number</i>	<i>Qty.</i>	<i>Description</i>
1	135-2238	1	ASM, Idler Arm W/ Bushings	5	135-1273	1	Tube, Idler Pivot
2	135-1199	1	Idler, Flat	6	3296-59	1	Nut-Nyloc 3/8-16 Thin
3	1-213069	1	Washer	7	104-8301	2	Nut-Nyloc 3/8-16 Flg
4	323-16	1	Screw-HH 3/8-16 X 4	8	3234-19	1	Screw-HHF 3/8-16 X 1 3/4

Electrical Assembly



Electrical Assembly (continued)

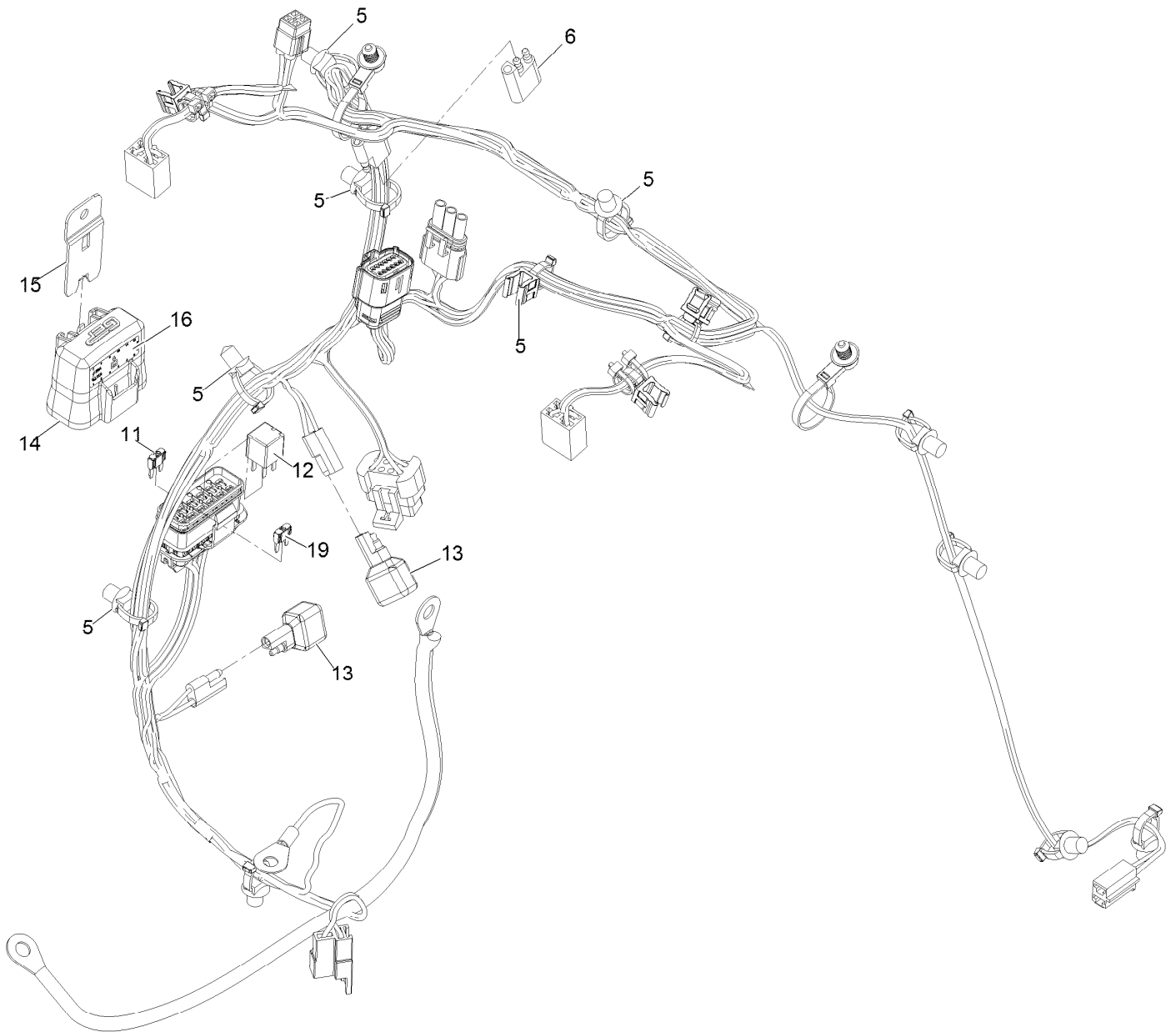
<i>Ref.</i>	<i>Part Number</i>	<i>Qty.</i>	<i>Description</i>	<i>Ref.</i>	<i>Part Number</i>	<i>Qty.</i>	<i>Description</i>
1	135-4421	1	Battery, Agm, Non-Spillable	10	142-2406	1	Harness-Wire ▲
2	142-2450	1	Box, Battery	11	135-2126	1	Harness-Battery
3	135-4473	1	Nut, Snap	14	32144-11	2	Screw-HWH 5/16-18 X 3/4 Tf
4	115-5142	1	Screw-HHF	15	117-2382	1	Plug-Plastic
5	135-7189	1	Module-Hour Meter	16	104-3338	2	Switch-Delta
6	126-6187	1	Switch-PTO, Sealed	17	110-6765	1	Switch
7	126-6285	1	Ignition Switch ASM	18	1-303335	1	Tie-Cable 7 15/16 (Large)
7:1		1	Switch-Ignition ■	19	109-9274	1	Harness-Clutch
7:2	108-8660	1	Nut-Mounting	20	1-303435	2	Washer-Spring Disc 1/4
7:3	106-5270	1	Ignition Key Set	21	126-7875	1	Decal-Fuse
7:4	108-8659	1	Washer-Backup	23	256-116	1	Bushing-Flange
8	135-1924-03	1	Support, Battery Cable	99	135-7732	1	Hardware Kit, Battery ●
9	32104-17	2	Screw-HWH 1/4-20 X 1/2 Tap				

● Not illustrated

■ Not serviced separately

▲ Use dielectric grease on all unsealed connectors and terminals only. Do not apply in sealed connectors.

Harness Assembly



Harness Assembly (continued)

<i>Ref.</i>	<i>Part Number</i>	<i>Qty.</i>	<i>Description</i>	<i>Ref.</i>	<i>Part Number</i>	<i>Qty.</i>	<i>Description</i>
5	32180-030	10	Clip-Tie	14	32180-176	1	Cover-Block, Fuse
6	32180-197	1	Cap-Plug	15	32180-177	1	Clip-Mounting
11	121-8868	1	Fuse-Mini Blade, 20 Amp	16	126-7875	1	Decal-Fuse
12	126-3991	1	Relay-Micro	19	121-8867	1	Fuse-Mini Blade, 15 Amp
13	100-4918	2	Diode				

Notes:

Notes:

Notes:



MAXIMIZE THE PERFORMANCE OF YOUR EXMARK MACHINE.



EXMARK® PREMIUM ENGINE OIL

Exmark now offers a family of engine oil viscosities to perform well in any environment. Each viscosity has the same synthetic formulation to give you what you need in punishing conditions. We designed each grade to the highest quality, making it ideal even for diesel applications. Coupled with Exmark Premium Fuel Treatment, we have the performance products to make your machine hum.

EXMARK PREMIUM ENGINE OIL SAE 30/10W-30

- Meets zero shear requirements of a straight grade SAE 30 as well as the cold temp properties of a 10W-30.
- Most versatile oil in the industry.
- Superior corrosion protection over conventional oil - even in corrosive, humid environments.

EXMARK PREMIUM ENGINE OIL SAE 20W-50

- Perfect for your big block engine, or any application in severe service.
- Same full synthetic formulation as all other Exmark Premium viscosities.
- Also effective for use in severe service small block engines.

EXMARK PREMIUM ENGINE OIL SAE 10W-50

- Full synthetic formulation gives you peak performance. Don't settle for less.
- Wide span multi-grade combines easy starting in cold weather with maximum protection in high temperature operation.
- Reduce friction & wear over standard mineral formulations.

EXMARK PREMIUM ENGINE OIL SAE 0W-40

- The perfect choice for when the weather turns cold or unpredictable, and your Exmark UTV has to perform.
- Commercial quality for severe service.
- Advanced additive package helps prevent corrosion from long-term storage.

EXMARK PREMIUM ENGINE OIL UTV FORMULATION

- 4-cycle high-temp formulation.
- Heavier viscosity, full synthetic, perfect for your UTV.

EXMARK PREMIUM UTV EXTREME CONDITIONS GEAR OIL

- SAE 80W-90, designed to keep your UTV performing at its peak.
- Shear stable, hypoid gear lube.
- Includes a premium additive system to combat wear, oxidation, rust & corrosion.

Available from your local Exmark dealer. Find your closest dealer at exmark.com

EXMARK ACCESSORIES AND OPTIONS*

MID-MOUNT RIDING ACCESSORIES AND OPTIONS

CUSTOM RIDE SEAT SUSPENSION SYSTEM	OPERATOR CONTROLLED DISCHARGE
FULL SUSPENSION SEAT	SUN SHADE
DECK LIFT ASSIST KIT	TRASH CONTAINER
HITCH KIT	TURF STRIPER
LIGHT KIT	ULTRA VAC COLLECTION SYSTEM
12V POWER PORT	ULTRA VAC QUICK DISPOSAL SYSTEM
MICRO-MULCH SYSTEM	

OUT-FRONT RIDING ACCESSORIES AND OPTIONS

CUSTOM RIDE SEAT SUSPENSION SYSTEM	SNOW BLADE
DUAL-TAIL WHEEL	SNOWBLOWER
FLOOR PAN EXTENDER	SUN SHADE
HITCH KIT	TRASH CONTAINER
LIGHT KIT	ULTRA VAC COLLECTION SYSTEM
MICRO-MULCH SYSTEM	ULTRA VAC QUICK DISPOSAL SYSTEM
ROLL OVER PROTECTION SYSTEM (ROPS)	WEATHER CAB

WALK-BEHIND ACCESSORIES AND OPTIONS

GRASS CATCHER	TURF STRIPER
MICRO-MULCH SYSTEM	STANDON

*Some accessories and options not available for some models.

Place Model No. and Serial No.
Label Here (Included in the Literature
Pack) or Fill in Below

Model No. _____

Serial No. _____

Date Purchased _____

Engine Model No. and Spec. No. _____

Engine Serial No. (E/No) _____

© 2019 Exmark Mfg. Co., Inc.
2101 Ashland Ave
Beatrice, NE 68310
All Rights Reserved

Part No. 4504-823 Rev. A
(402) 223-6375
Fax (402) 223-5489
Printed in the USA.

