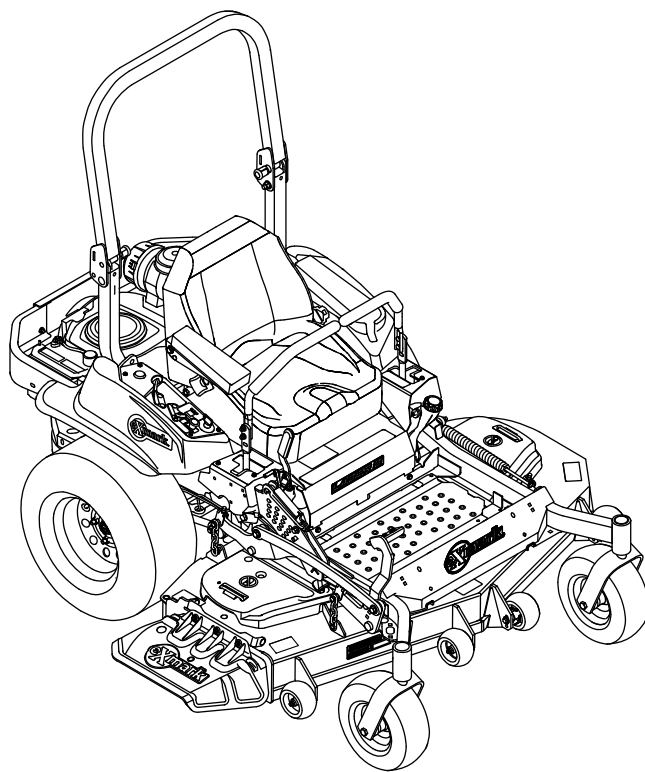




LAZER Z[®] E-SERIES

Model No. LZE651CKA484A2—Serial No. 406294345 and Up

Picture below may not reflect actual product.



Parts Manual

Part No. 4504-793 Rev. A

Ordering Replacement Parts

To order replacement parts, please supply the part number, the quantity, and the description of each part desired.

Understanding Reference Numbers

Each identified part in an illustration has a reference number. The reference number for a part also appears in the parts list, along with other information about the part.

This catalog uses two special reference number formats, one to indicate parts in a service assembly and another to indicate the quantity of a given part in an illustration.

Service Assembly Reference Numbers

Parts in service assemblies have reference numbers in the form a:b. The a represents the reference number of the entire service assembly and the b represents a sequential number unique to each part within the service assembly.

For example, a wheel assembly might be identified by reference number 6, the tire by 6:1, the valve by 6:2, and the wheel by 6:3. When you order the assembly identified by reference number 6, you receive all parts identified by reference numbers 6:1, 6:2, and 6:3. However, you may also order any part individually. Reference numbers of this type appear in illustration and in parts lists.

Reference Numbers Indicating Quantity

In an illustration, if a reference number indicates more than one part, the reference number has the form nX y. The n represents the quantity of the part, the X is the multiplication symbol, and the y represents the reference number.

For example, in an illustration, the reference number 2X 37 means that two of the parts identified by reference number 37 are indicated.

Touch Up Paint

Exmark black touch up spray paint – gloss black.

Exmark red touch up paint (spray paint – P/N 1-850337 - .6 oz liquid bottle – P/N 103-9140).

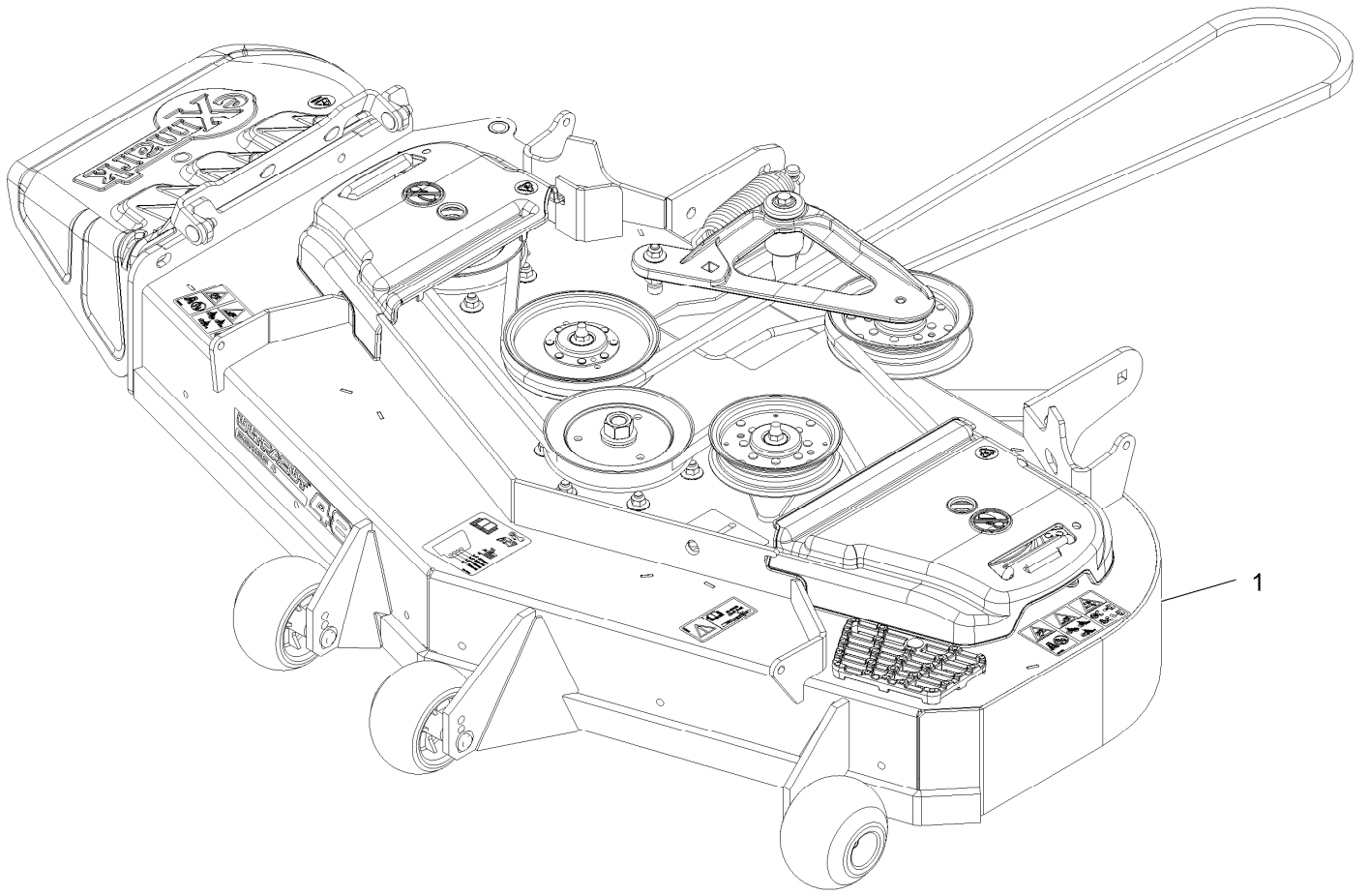


If your Exmark dealer does not have the Exmark part in stock, Exmark will get the parts to the dealer the next business day or the part will be FREE Guaranteed!! (Some restrictions apply. See your participating Exmark Dealer for details.)

Contents

Complete Deck Assembly.....	4
Deck Assembly.....	6
Deck W/Decals Assembly.....	8
Idler Assembly.....	10
Main Frame Assembly.....	12
E-Series Decal.....	14
Roll-Over Protection System.....	16
Roll Over Protection System (cont.).....	18
Front Caster and Fork Assembly.....	20
Caster Wheel and Fork Assembly.....	22
Deck Lift Assembly.....	24
Height-of-Cut Assembly No. 109-7438.....	26
Console Assembly.....	28
Motion Control Assembly.....	30
Rear Wheel Assembly.....	32
Park Brake Assembly.....	34
Seat Assembly.....	36
Seat Assembly (cont.).....	38
Fuel Assembly.....	40
Fuel Tank Assembly.....	42
Engine Assembly.....	44
Hydraulic Assembly.....	46
Pump Idler Assembly No. 116-1255.....	48
Electrical Assembly.....	50

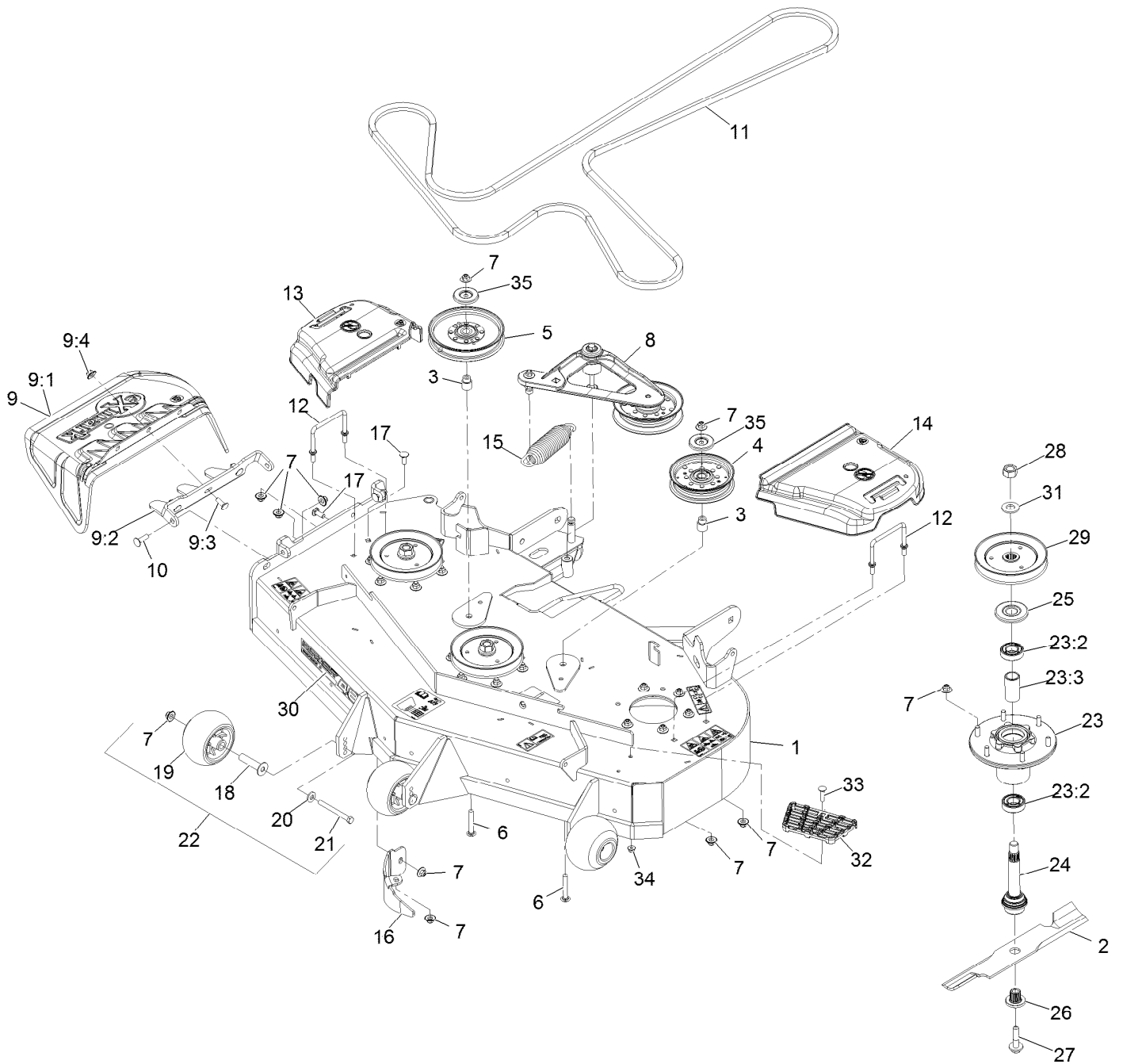
Complete Deck Assembly



Complete Deck Assembly (continued)

<i>Ref.</i>	<i>Part Number</i>	<i>Qty.</i>	<i>Description</i>
1	116-3597	1	ASM,484 Deck Complete

Deck Assembly



Deck Assembly (continued)

<i>Ref.</i>	<i>Part Number</i>	<i>Qty.</i>	<i>Description</i>	<i>Ref.</i>	<i>Part Number</i>	<i>Qty.</i>	<i>Description</i>
1	109-9008	1	ASM,Deck W/Decals 48	18	116-8131	3	Axle, Roller
2	103-6381	3	Blade, Solid ●	19	103-8415	3	Roller-Anti-Scalp
2	103-6386	3	Blade, Low Lift ●	20	98-5975	3	Washer-Spring Disc 3/8
2	103-6391	3	Blade, Mulching ◆	21	116-9362	3	Screw-HH 3/8-16 X 3 3/4 GR 8
2	103-6401	3	Blade-Notched	22	116-9981	3	Kit, Anti-Scalp Roller
2	116-5177	3	Blade-Extreme 2, 16.25" ●	23	116-3344	3	ASM-Cutter Hsg With Bearings
3	1-633456	2	Bushing, Idler	23:2	116-0720	2	Bearing-Ball
4	126-9187	1	Pulley-Idler, Flat	23:3	116-3312	1	Spacer-Bearing
5	126-7685	1	Idler-Pulley	24	116-3341	3	ASM-Spindle And Seal
6	3231-44	2	Bolt-Carriage 3/8-16 X 2 1/2	25	116-1286	3	Guard,Bearing Top .989
7	109-6658	31	Nut-Nyloc 3/8-16 Flg	26	103-3037	3	Bushing, Splined
8	116-3755	1	Deck Idler ASM	27	109-9220	3	Screw-Sems 1/2-20 X 2.19 ■ □
9	109-7188	1	ASM,Discharge Chute	28	116-7306	3	Nut-Hex ▲
9:1	109-2738	1	Chute, Discharge	29	116-0674	3	Sheave,Blade Drive 5.90
9:2	109-8675-01	1	Bracket,Discharge Chute	30	126-6587	1	Decal, 484
9:3	3231-22	3	Bolt-Carriage 3/8-16 X 1	31	103-2802	3	Washer-Spring Disc 3/4
9:4	109-6658	3	Nut-Nyloc 3/8-16 Flg	32	126-4781-03	1	Step-Deck
10	3231-28	2	Bolt-Carriage 3/8-16 X 1 1/4	33	3230-3	1	Bolt-Carriage 5/16-18 X 1 1/4
11	109-8070	1	Belt	34	104-8300	1	Nut-Nyloc 5/16-18 Flg
12	109-6982	2	Wireform-Cover	35	126-8043	2	Shield-Dust
13	109-6935	1	Cover-Belt, RH				
14	109-6936	1	Cover-Belt, LH				
15	116-6317	1	Spring-Extension				
16	116-5995-01	1	Baffle-Dogleg,Lzs Lzx Vt48				
17	3231-22	2	Bolt-Carriage 3/8-16 X 1				

● Optional Equipment

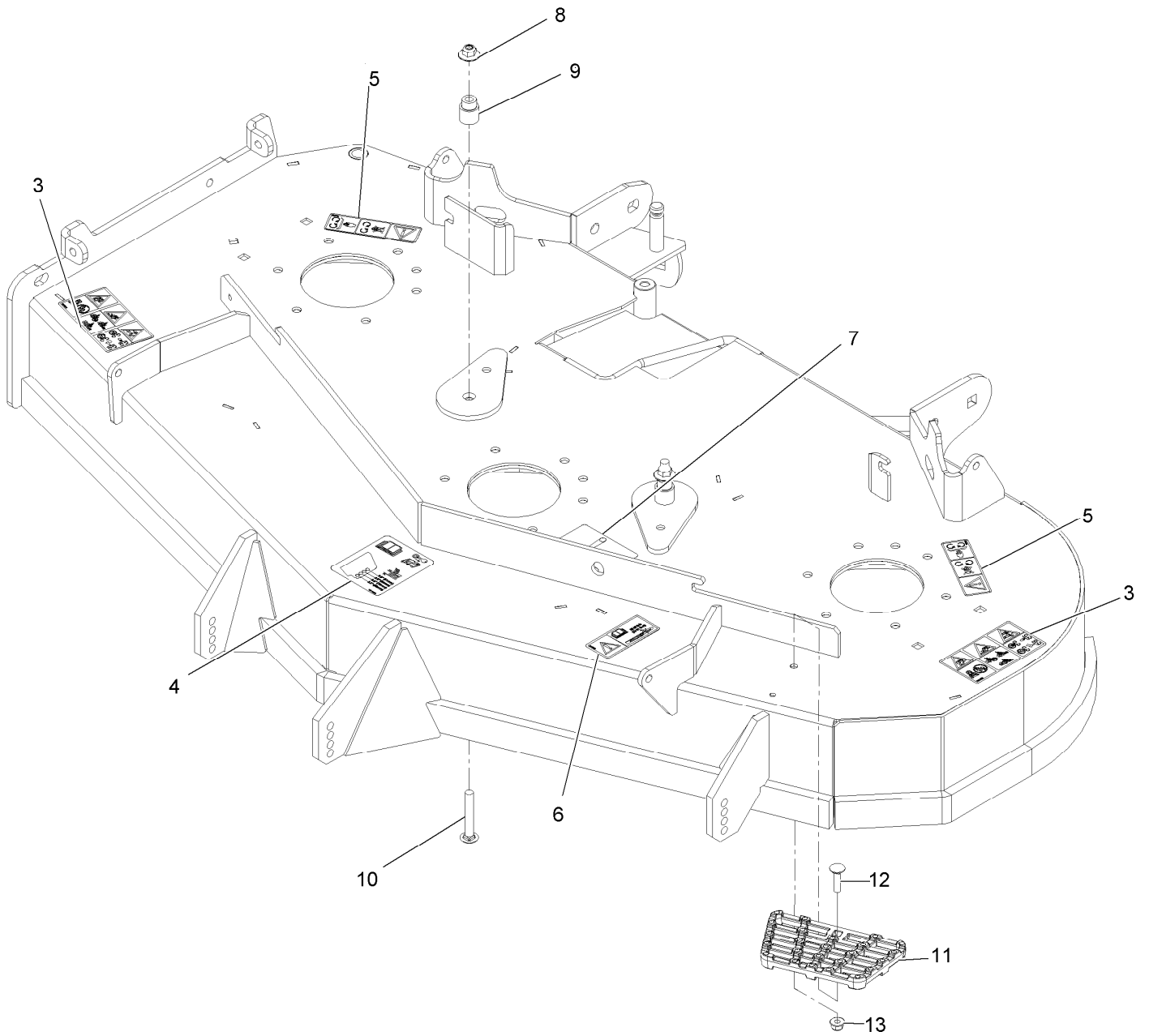
▲ Torque to 130-160 ft-lb

◆ Requires installation of mulch kit for proper mulching. See your Exmark dealer for details.

□ Apply lubricant to threads as needed to prevent seizing. Copper based anti-seize preferable. Grease is an acceptable substitute.

■ Torque to 50-60 ft-lb

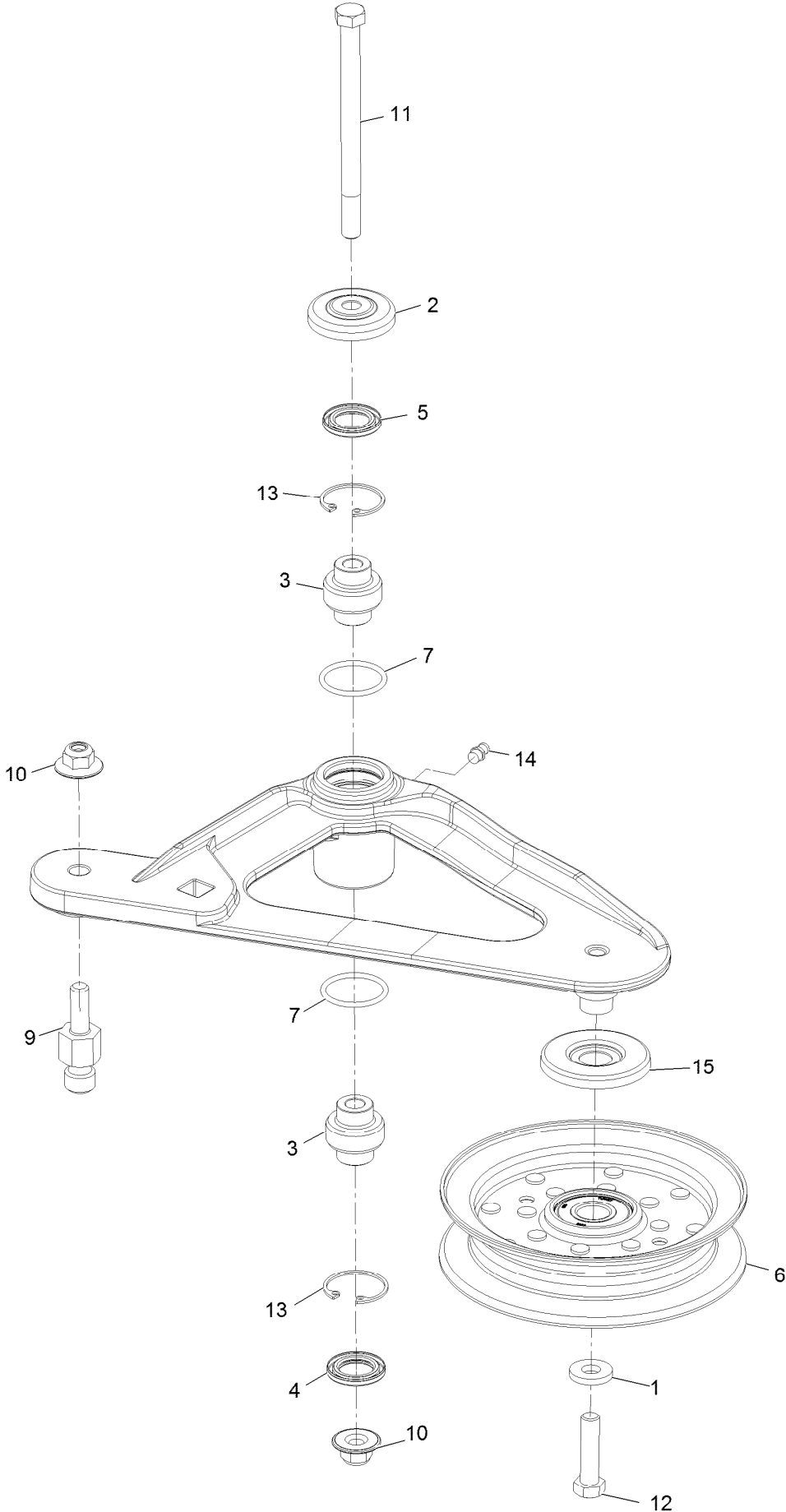
Deck W/Decals Assembly



Deck W/Decals Assembly (continued)

<i>Ref.</i>	<i>Part Number</i>	<i>Qty.</i>	<i>Description</i>	<i>Ref.</i>	<i>Part Number</i>	<i>Qty.</i>	<i>Description</i>
3	126-6464	2	Decal-Danger Thrown Objects	9	1-633456	2	Bushing, Idler
4	109-6036	1	Decal-Roller, Anti-Scalp	10	3231-44	2	Bolt-Carriage 3/8-16 X 2 1/2
5	112-9028	2	Decal-Cover, Missing	11	126-4781-03	1	Step-Deck
6	116-8283	1	Decal-Torque, Bolt	12	3230-3	1	Bolt-Carriage 5/16-18 X 1 1/4
7	116-8727	1	Decal-Belt Routing	13	104-8300	1	Nut-Nyloc 5/16-18 Flg
8	109-6658	2	Nut-Nyloc 3/8-16 Flg				

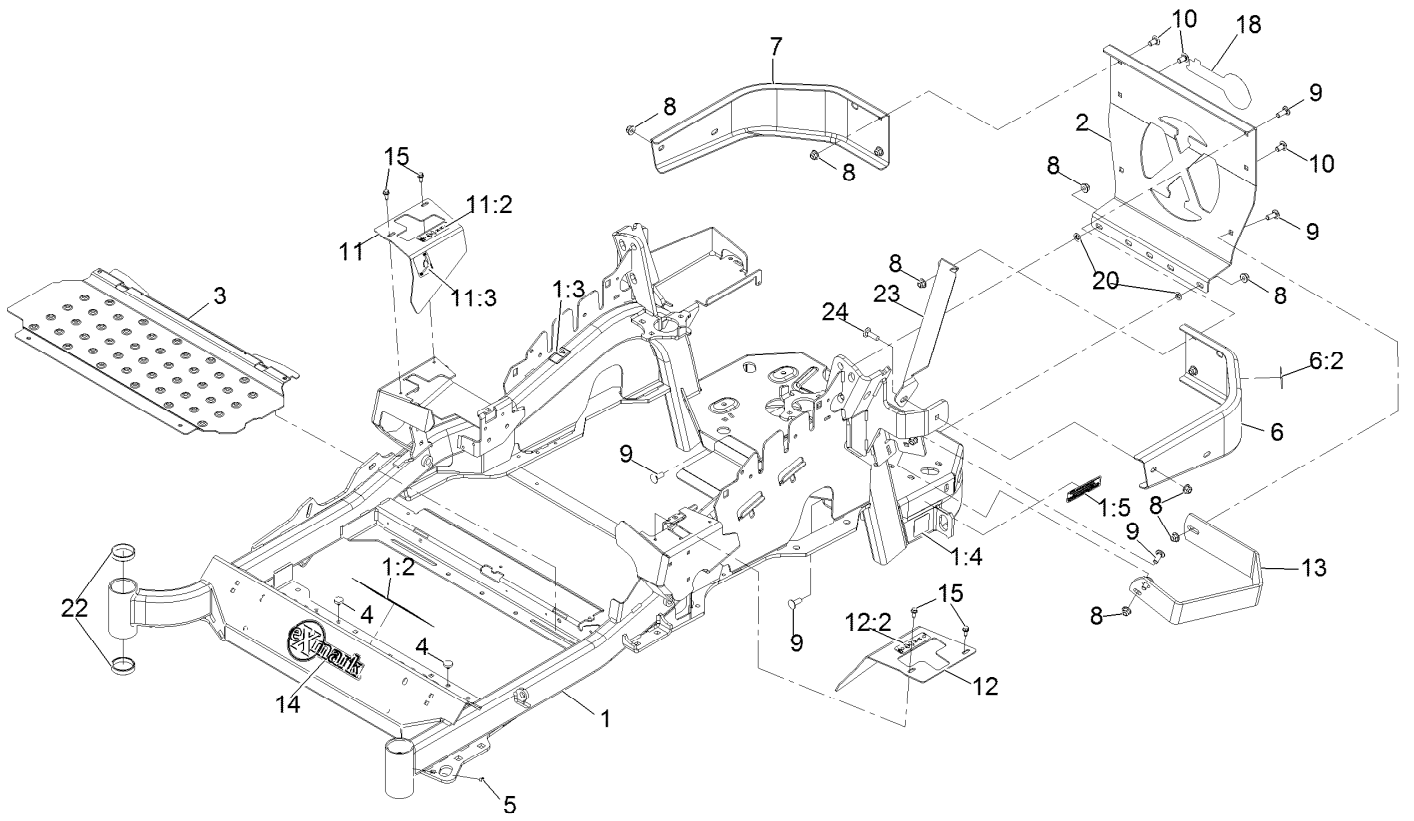
Idler Assembly



Idler Assembly (continued)

<i>Ref.</i>	<i>Part Number</i>	<i>Qty.</i>	<i>Description</i>	<i>Ref.</i>	<i>Part Number</i>	<i>Qty.</i>	<i>Description</i>
1	43-0940	1	Spacer	9	126-0423	1	Pin-Spring, Anchor
2	103-2916	1	Guard-Top	10	109-6658	2	Nut-Flange, NI
3	103-3504	2	Bearing-Spherical	11	109-7409	1	Screw-Shoulder, HH
4	103-3505	1	Seal-Lip, Double	12	323-8	1	Screw-HH
5	103-3506	1	Seal-Lip, Single	13	32120-10	2	Ring-Snap
6	126-9196	1	Idler-Pulley, Flat	14	302-19	1	Fitting-Grease
7	106-7159	2	O-Ring	15	126-9195	1	Shield-Guard, Dust

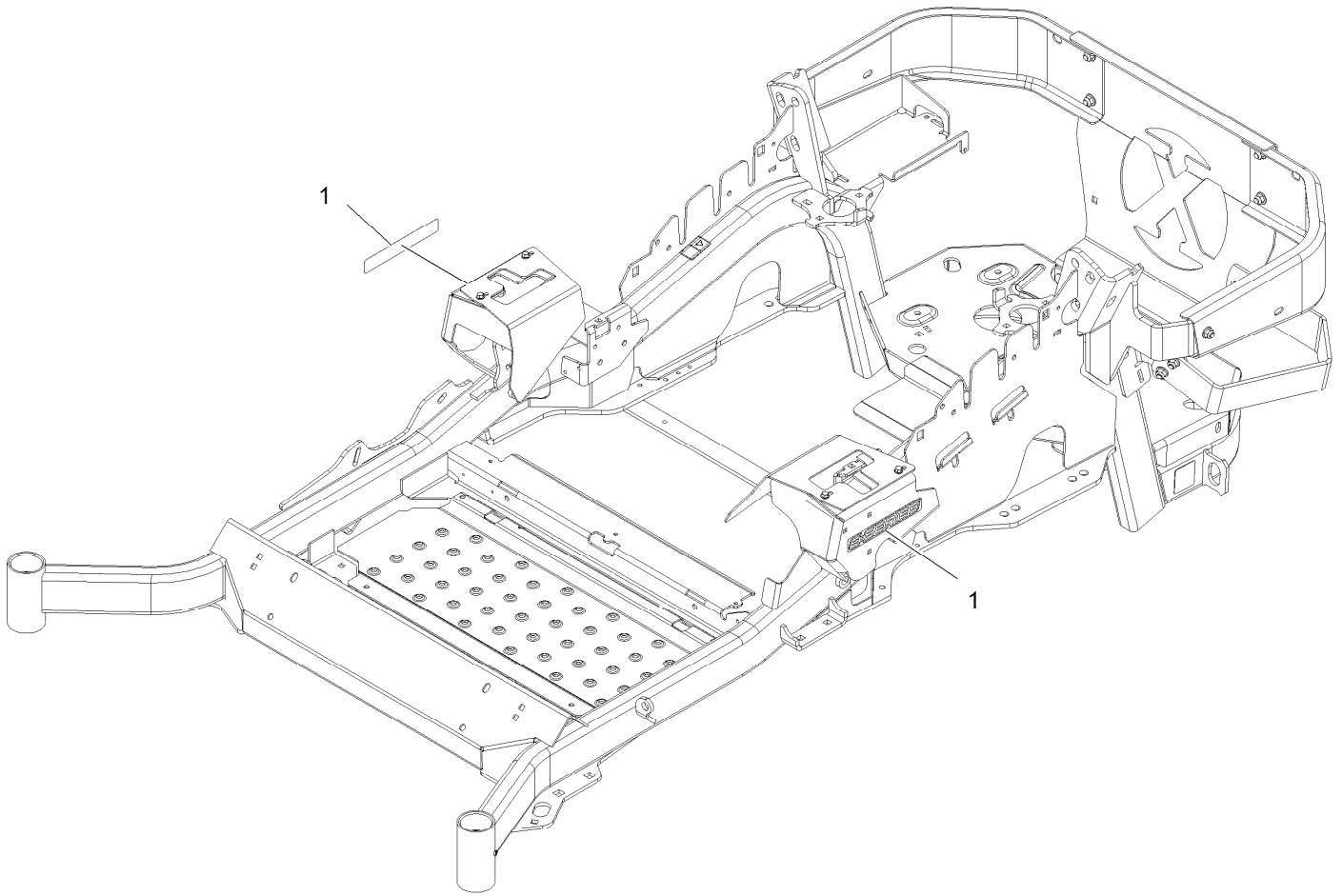
Main Frame Assembly



Main Frame Assembly (continued)

<i>Ref.</i>	<i>Part Number</i>	<i>Qty.</i>	<i>Description</i>	<i>Ref.</i>	<i>Part Number</i>	<i>Qty.</i>	<i>Description</i>
1	116-5900	1	Mainframe ASM	11	116-5899	1	RH Motion Control Cover ASM
1:2	132-0871	1	Decal-Danger	11:2	99-8936	1	Decal-Control, Motion
1:3	106-5517	2	Decal-Warning	11:3	116-5988	1	Decal-Park Brake, CE
1:4	106-2655	2	Decal-Hazard, Pinched Finger	12	116-0580	1	LH Motion Control Cover ASM
1:5	133-8062	1	Decal-Arrestor, Spark	12:2	99-8936	1	Decal-Control, Motion
2	109-8863-03	1	Plate,Rear Guard	13	126-2067-03	1	Guard-Muffler
3	116-8898-01	1	Floorpan	14	135-2274	1	Decal-Exmark
4	1-513658	2	Bumper	15	32144-10	4	Screw-HWH
5	1-811010	2	Plug	18	126-6877	1	Decal, Exmark Logo
6	116-0180	1	LH Bumper ASM	20	107-3154	2	Nut-Push
6:2	106-5517	1	Decal-Warning	22	1-543508	4	Cup-Bearing
7	116-0057-03	1	Bumper-RH	23	127-0324-03	1	Strap
8	104-8301	11	Nut-HF, NI	24	3231-25	1	Bolt-CARR
9	3231-22	7	Screw-CARR				
10	3231-21	3	Screw-CARR				

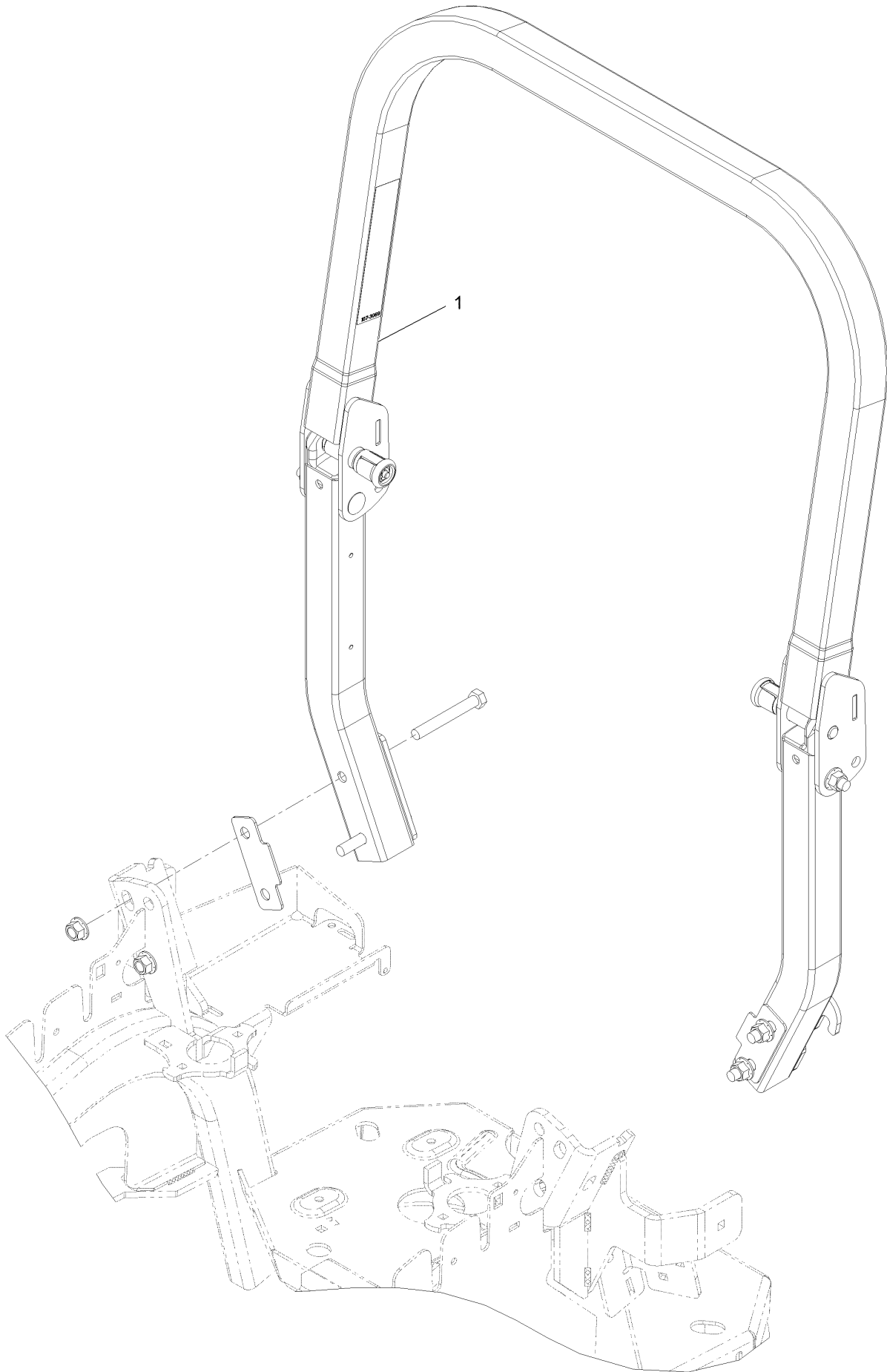
E-Series Decal



E-Series Decal (continued)

<i>Ref.</i>	<i>Part Number</i>	<i>Qty.</i>	<i>Description</i>
1	126-6571	2	Decal-E-Series

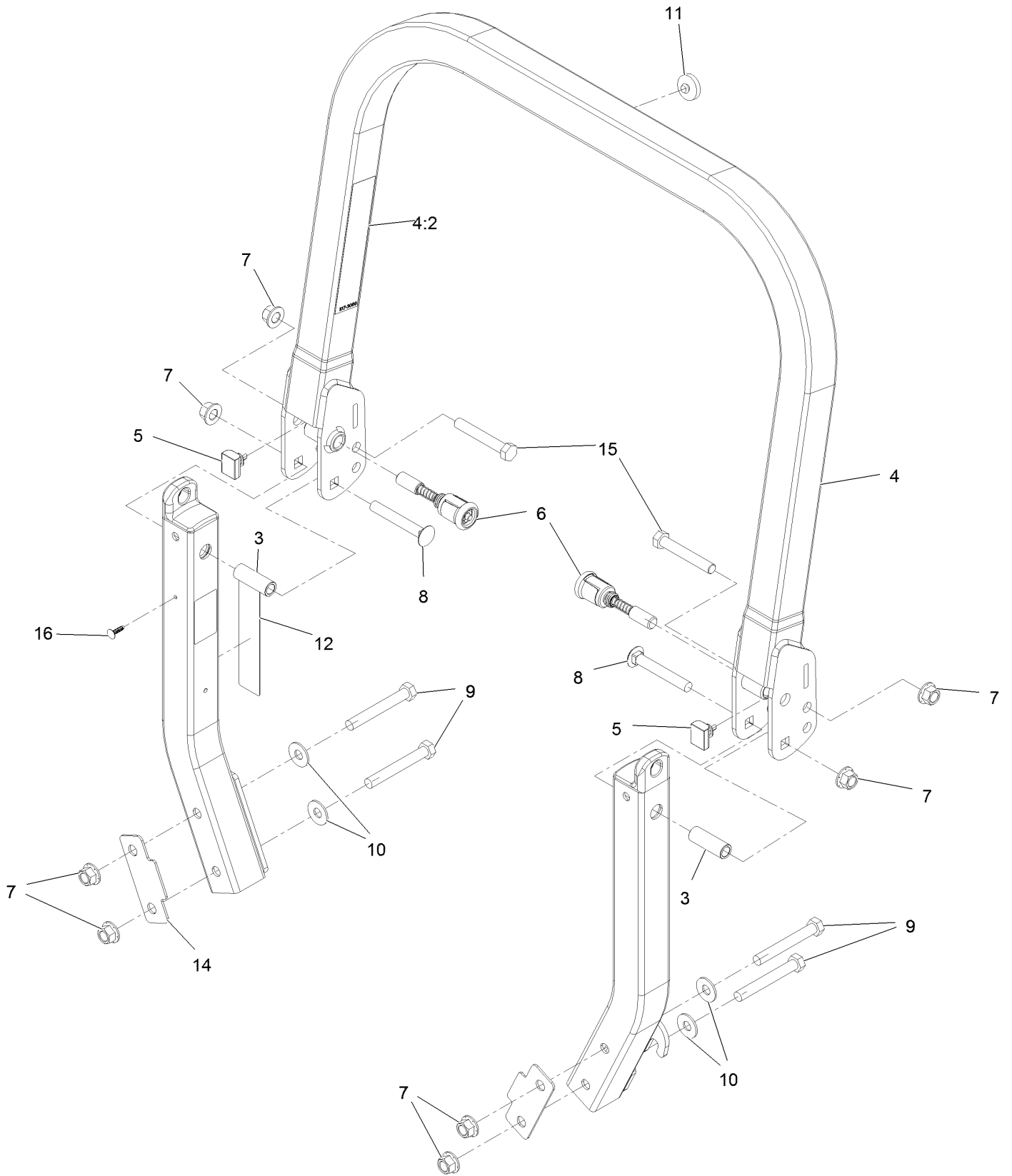
Roll-Over Protection System



Roll-Over Protection System (continued)

<i>Ref.</i>	<i>Part Number</i>	<i>Qty.</i>	<i>Description</i>
1	116-0230	1	ASM,ROPS Service Exmark

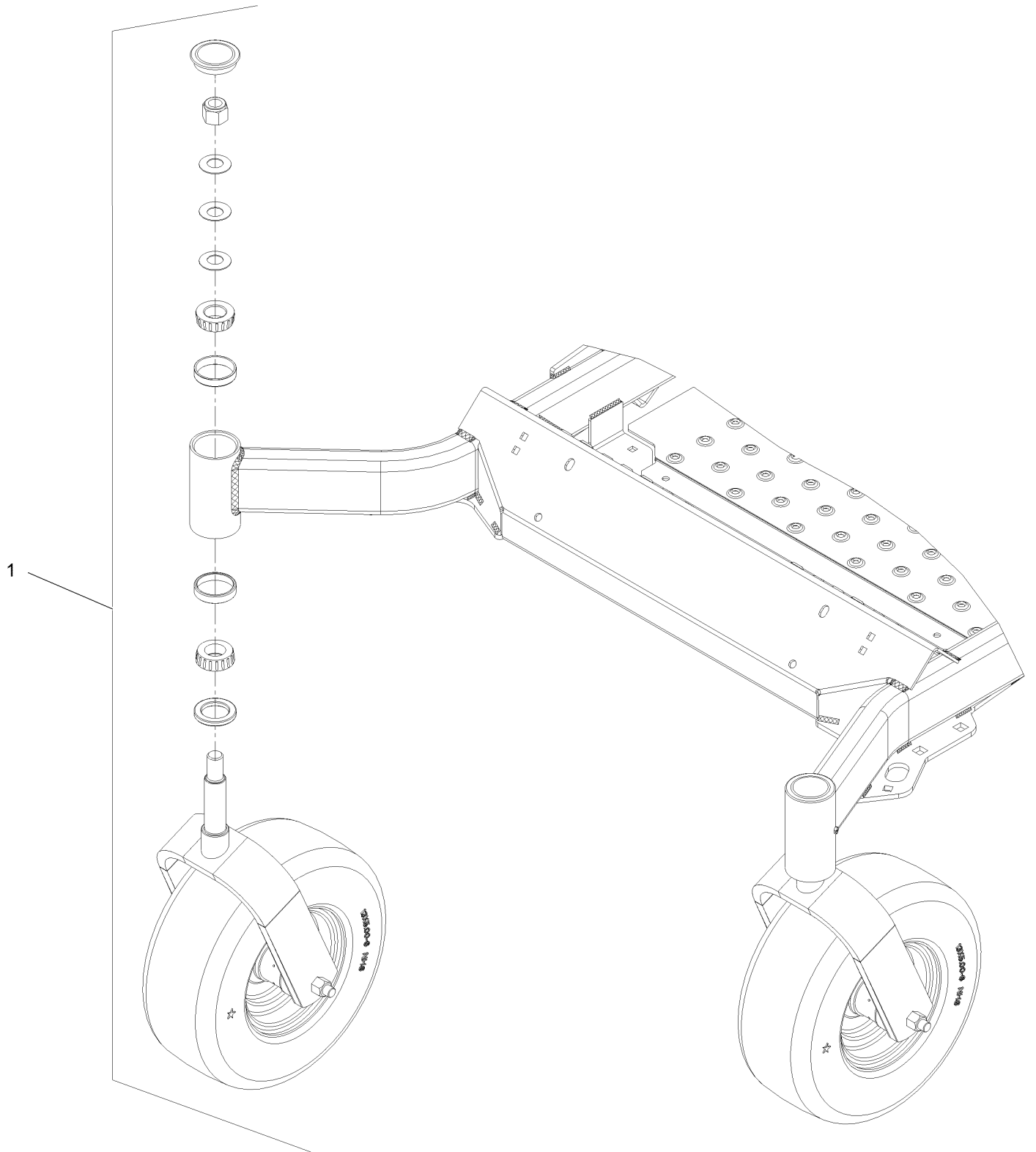
Roll Over Protection System (cont.)



Roll Over Protection System (cont.) (continued)

<i>Ref.</i>	<i>Part Number</i>	<i>Qty.</i>	<i>Description</i>	<i>Ref.</i>	<i>Part Number</i>	<i>Qty.</i>	<i>Description</i>
3	109-6653	2	Spacer	9	325-35	4	Screw-HH
4	116-0019	1	Upper ROPS ASM	10	109-9505	4	Washer, Spring Disc 1/2
4:2	107-3069	1	Decal-Warning	11	109-9233	1	Bumper-Push-In, Rubber
5	109-5337	2	Bumper-ROPS	12	117-0346	1	Decal-Caution, Fuel Vent
6	116-0104	2	Pin-Spring	14	116-0960	2	Spacer
7	99-5107	8	Nut-Lock 1/2-13	15	325-13	2	Screw-HH
8	3233-10	2	Bolt-Carriage 1/2-13 X 3 1/2	16	125-8067	1	Plug-Plastic

Front Caster and Fork Assembly

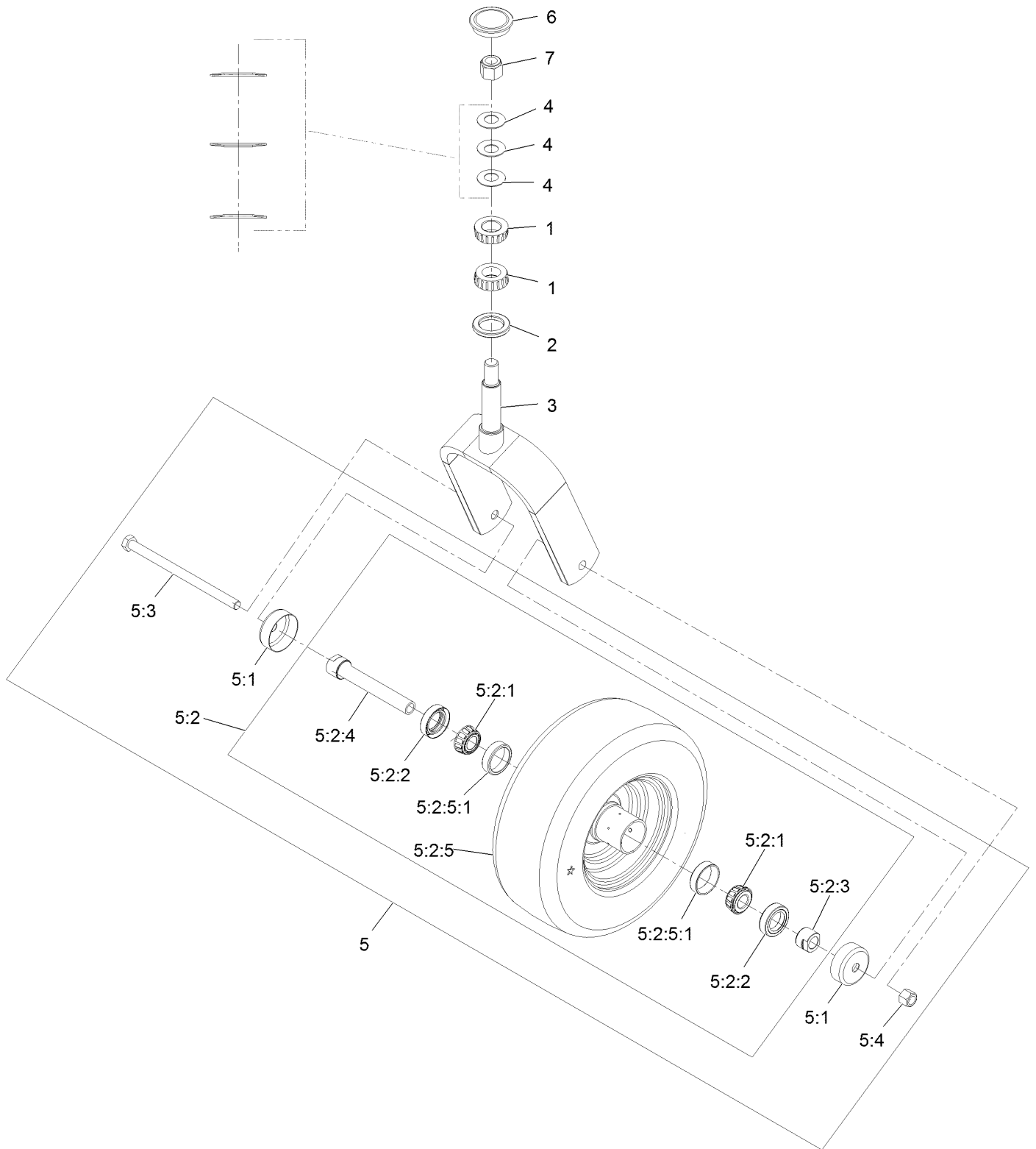


Front Caster and Fork Assembly (continued)

<i>Ref.</i>	<i>Part Number</i>	<i>Qty.</i>	<i>Description</i>
1		2	Front Caster And Fork ASM ●

● Not serviced separately

Caster Wheel and Fork Assembly



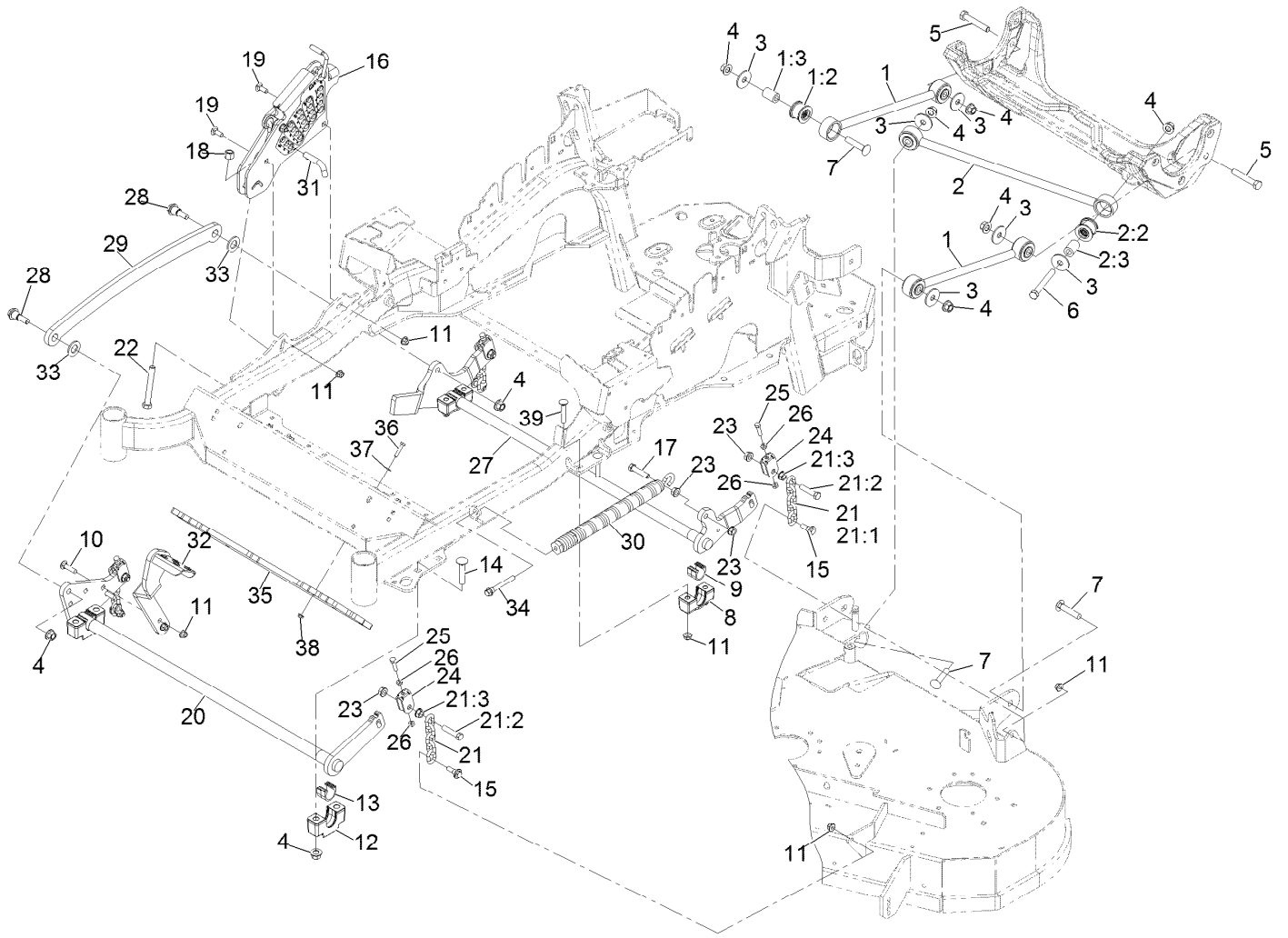
Caster Wheel and Fork Assembly (continued)

<i>Ref.</i>	<i>Part Number</i>	<i>Qty.</i>	<i>Description</i>	<i>Ref.</i>	<i>Part Number</i>	<i>Qty.</i>	<i>Description</i>
1	1-543509	2	Cone-Bearing Tapered Roller	5:2:2	103-0063	2	Seal-Double Lip
2	116-5647	1	Seal-Grease	5:2:3	103-3051	1	Spacer-Nut ■
3	116-6703-01	1	Weld, Fork	5:2:4	126-5360	1	Axle-Caster
4	1-633508	3	Washer-Spring Disc	5:2:5		1	Wheel And Tire ASM ●
5	109-9126	1	Wheel & Tire ASM	5:2:5:1	1-633584	2	Bearing-Cup
5:1	103-2768	2	Guard-Seal	5:3	325-42	1	Screw-HH 1/2-13 X 8
5:2		1	Wheel And Tire ASM ●	5:4	3296-23	1	Nut-Nyloc 1/2-13
5:2:1	1-633585	2	Bearing-Cone Tapered Roller	6	103-4882	1	Cap-Grease
				7	3296-51	1	Nut-Nyloc 3/4-10

● Not serviced separately

■ Use Pro-Lock, Nut Type (P/N 1-840022, .5ml tube) on threads.

Deck Lift Assembly



Deck Lift Assembly (continued)

<i>Ref.</i>	<i>Part Number</i>	<i>Qty.</i>	<i>Description</i>	<i>Ref.</i>	<i>Part Number</i>	<i>Qty.</i>	<i>Description</i>
1	109-7952	2	Deck Strut ASM	18	3296-23	1	Nut-Nyloc 1/2-13
1:2	109-5009	2	Bushing-Suspension, Rubber	19	3231-2	2	Bolt-Carriage 3/8-16 X 1
1:3	109-5010	2	Spacer	20	126-2475-03	1	Decklift-Front
2	109-5013	1	Panhard Rod ASM	21	116-0756	4	Deck Lift Chain ASM
2:2	109-5009	2	Bushing-Suspension, Rubber	21:1	1-633447	1	Chain-Lift, Deck
2:3	109-5010	2	Spacer	21:2	109-9065	1	Screw-HH 7/16-14 X 2
3	86-1990	6	Washer	21:3	32128-37	1	Nut-Whizlock 7/16-14
4	99-5107	12	Nut-Lock 1/2-13	22	116-0559	1	Bolt-HH 1/2-13 X 4 Tap
5	325-12	2	Screw-HH 1/2-13 X 3	23	32128-37	6	Nut-Whizlock 7/16-14
6	325-17	1	Screw-HH 1/2-13 X 4	24	109-9066	4	Yoke-Adjust, Deck
7	3233-34	3	Bolt-Carriage 1/2-13 X 2 1/2	25	322-47	4	Screw-HH 5/16-18 X 1 1/4
8	127-0553	2	Support-Bearing, Cross Shaft (Rear)	26	3218-2	8	Nut-Jam 5/16-18
9	109-7173	2	Bearing-Cross Shaft, Rear	27	116-0459-03	1	Lift-Deck, Rear
10	3231-4	2	Bolt-Carriage 3/8-16 X 1 1/2	28	116-0780	2	Screw-Shoulder HHF 1/2-13 X 1.12
11	104-8301	12	Nut-Nyloc 3/8-16 Flg	29	116-0797-03	1	Link-Lift, Deck
12	109-9409	2	Support-Bearing, Cross Shaft (Front)	30	116-0886	1	Spring-Extension
13	109-9410	2	Bearing-Cross Shaft, Front	31	116-5584	1	Pin-HOC
14	116-1700	4	Bolt-Carriage 1/2-13 X 2 1/2 Spl Neck	32	116-1919-01	1	Lever-Foot
15	109-9840	4	Screw-Hex Flange 3/8-16 X .80	33	3256-28	2	Washer-3/4 SAE
16	109-7438	1	HOC ASM	34	92-7674	1	Screw-Shcs 3/8-16 X 2.212
17	109-9065	1	Screw-HH 7/16-14 X 2	35	140-4963-01	1	Weight-Toe Board
				36	321-8	4	Screw-HH 1/4-20 X 1 1/4
				37	3256-22	4	Washer-1/4 SAE
				38	104-7201	4	Nut-Nyloc 1/4-20 Flg
				39	3231-7	4	Bolt-Carriage 3/8-16 X 2 1/4

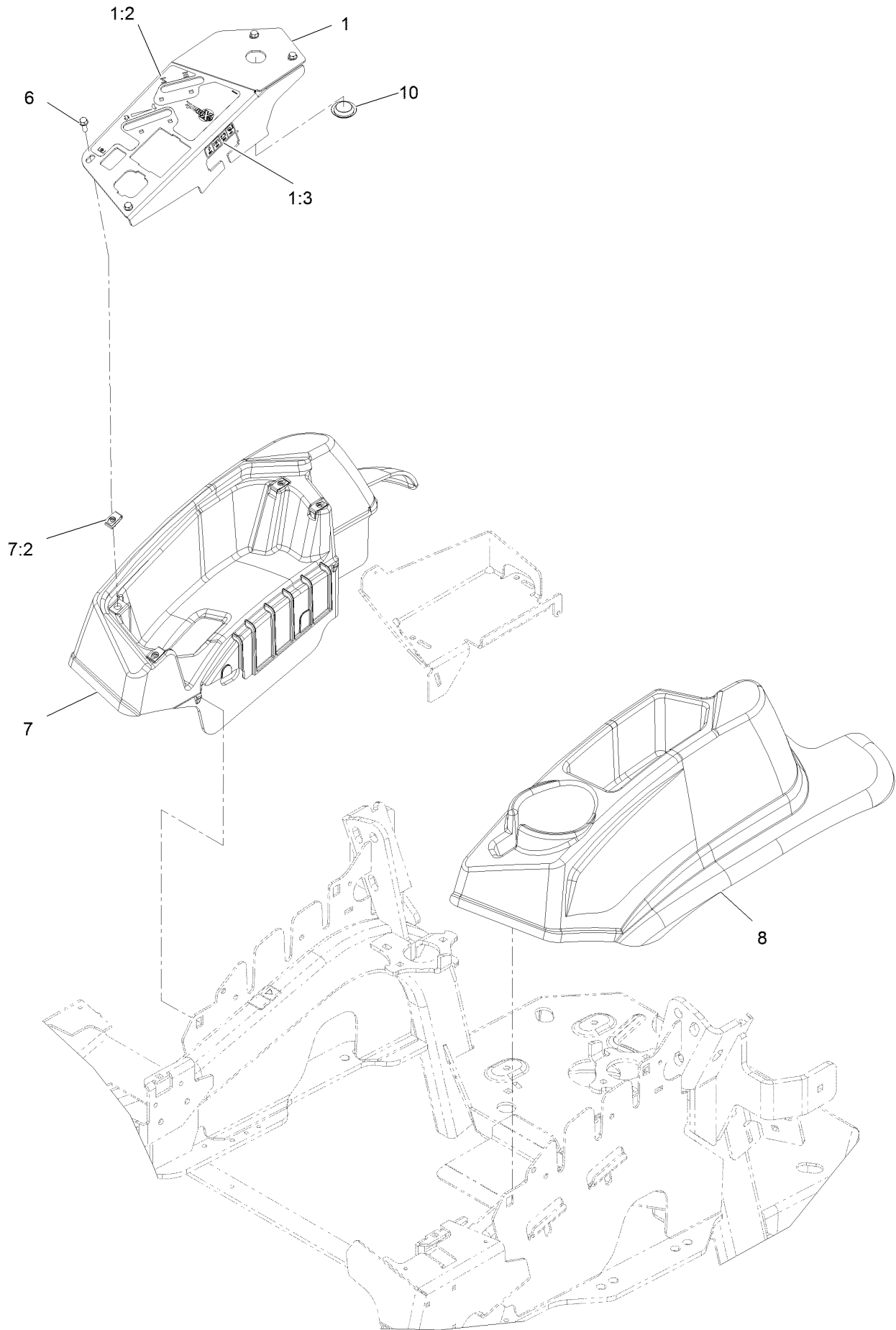
Height-of-Cut Assembly No. 109-7438



Height-of-Cut Assembly No. 109-7438 (continued)

<i>Ref.</i>	<i>Part Number</i>	<i>Qty.</i>	<i>Description</i>	<i>Ref.</i>	<i>Part Number</i>	<i>Qty.</i>	<i>Description</i>
1	62-1330	1	Bolt-Shoulder	6	116-0118	1	Pawl-Transport, HOC
2	109-7130	1	Grommet	7	109-7335	1	HOC Plate ASM
3	104-8301	1	Nut-HF, NI	7:2	126-4398	1	Decal-HOC
4	109-7124	1	Spring-Extension	8	109-8250	1	Grip-Lever
5	109-7128	1	Rod-Lock, Transport				

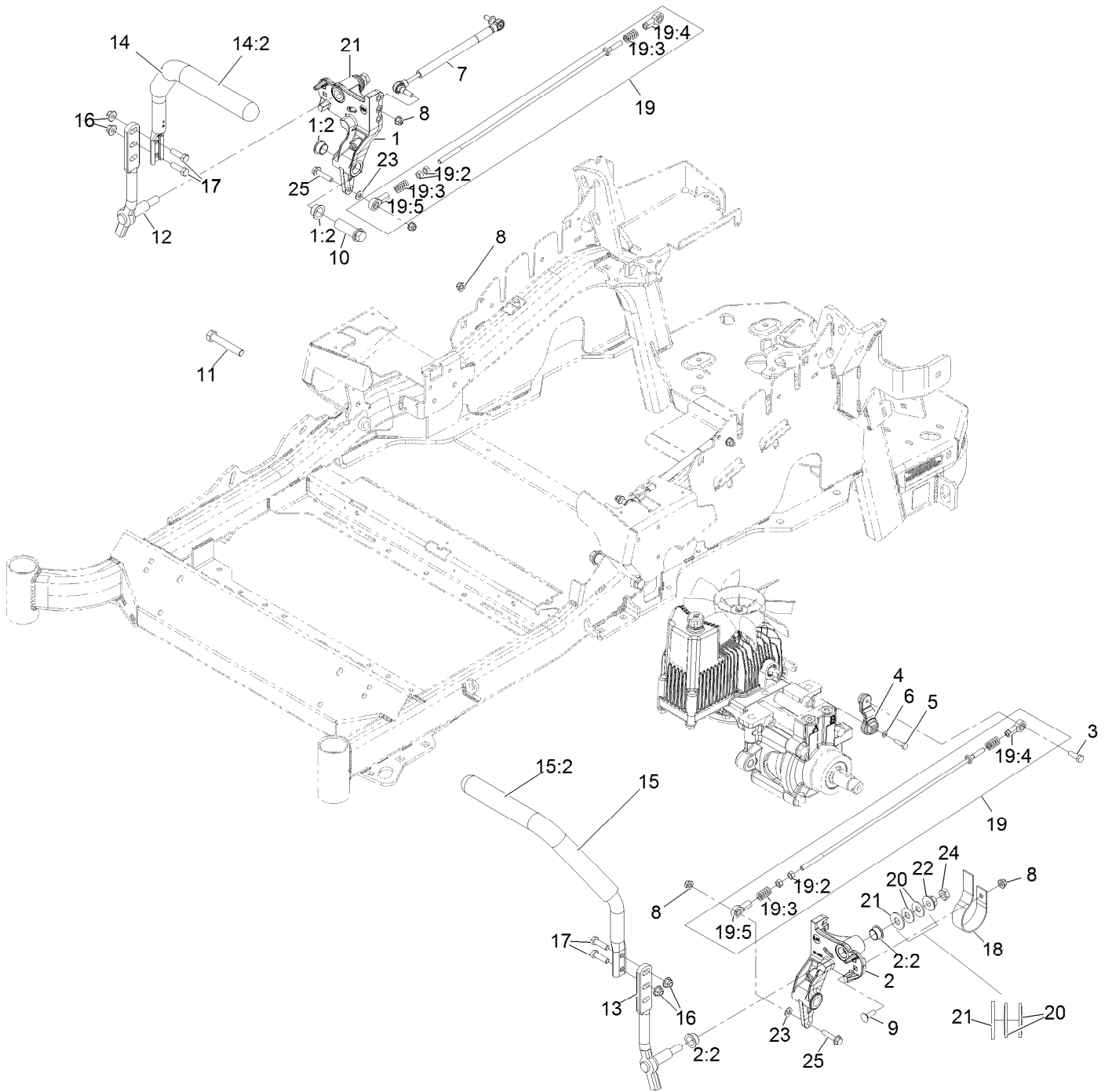
Console Assembly



Console Assembly (continued)

<i>Ref.</i>	<i>Part Number</i>	<i>Qty.</i>	<i>Description</i>	<i>Ref.</i>	<i>Part Number</i>	<i>Qty.</i>	<i>Description</i>
1	109-8484	1	Console,Panel W/Decal	7	116-1278	1	Console,RH As ASM
1:2	116-8724	1	Decal-Control Panel Non-EFI	7:2	107069	4	Nut-Retainer-Panel 1/4-20
1:3	114-4466	1	Decal-Fuses	8	109-9457	1	Console, LH As
6	32105-15	4	Screw-Machine 1/4-20 X 3/4	10	116-1875	1	Plug-Plastic

Motion Control Assembly

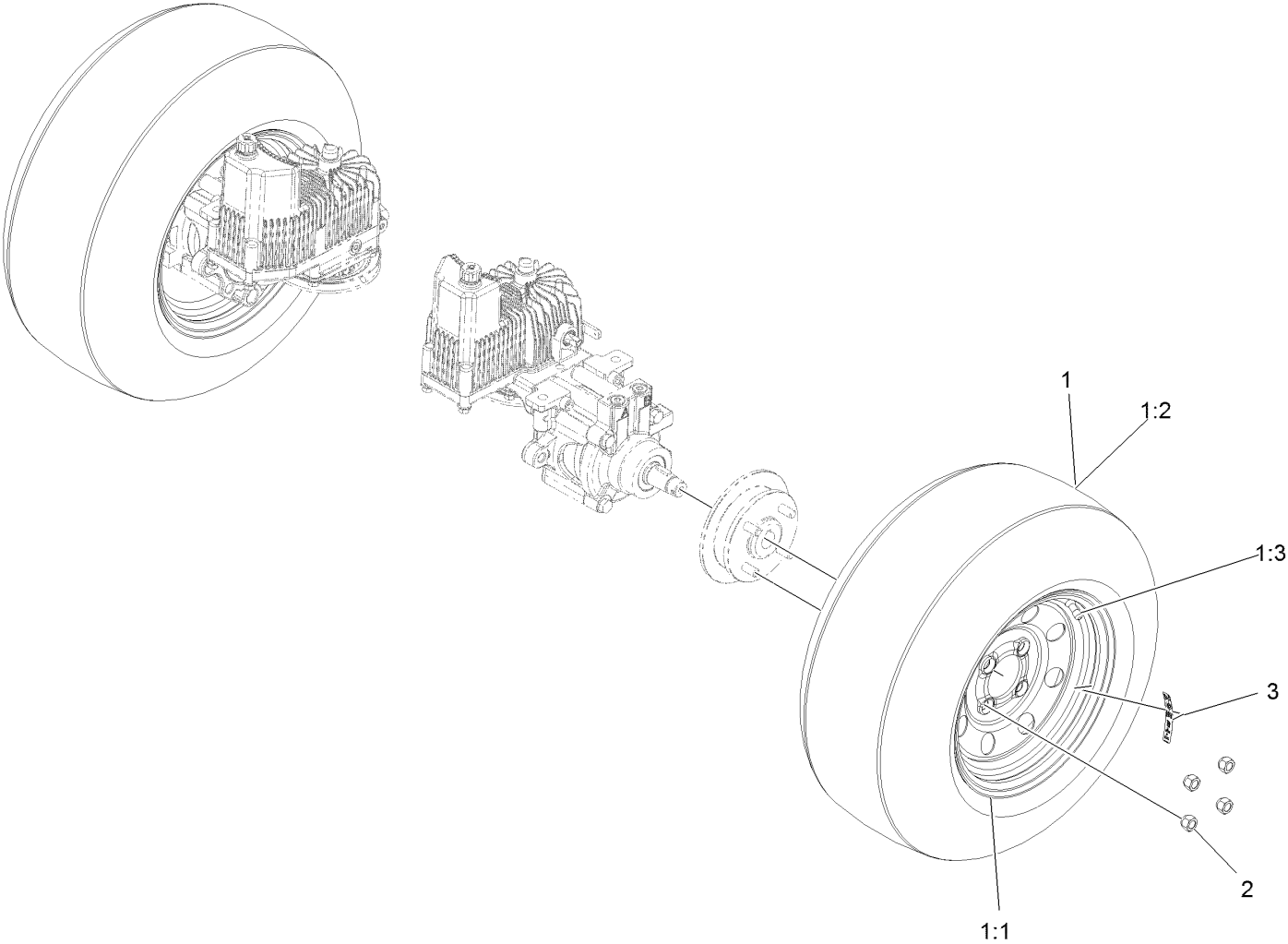


Motion Control Assembly (continued)

<i>Ref.</i>	<i>Part Number</i>	<i>Qty.</i>	<i>Description</i>	<i>Ref.</i>	<i>Part Number</i>	<i>Qty.</i>	<i>Description</i>
1	116-0880	1	RH Motion Control And Bushing ASM	14:2	109-5668	1	Grip-Lever, Control
1:2	109-8054	4	Bushing-Flanged	15	135-4373	1	LH Handle ASM
2	116-0881	1	LH Motion Control And Bushing ASM	15:2	109-5668	1	Grip-Lever, Control
2:2	109-8054	4	Bushing-Flanged	16	104-8301	4	Nut-Nyloc 3/8-16 Flg
3	116-0648	2	Screw-HH 5/16-18 X 1 W/Patch ●	17	323-7	4	Screw-HH 3/8-16 X 1 1/4
4	109-4581	2	Arm-Control, Pump	18	109-5575	2	Spring-Leaf
5	9080046	2	Screw-HH 1/4-20 X 7/8 ●	19	109-8107	2	Pump Linkage Rear ASM
6	1-303435	2	Washer-Spring Disc 1/4	19:2	3219-2	2	Nut-Hex 5/16-24
7	116-0027	2	Damper-Control, Motion	19:3	1-323245	2	Spring-Compression
8	104-8300	8	Nut-Nyloc 5/16-18 Flg	19:4	1-633152	1	Balljoint
9	3230-2	2	Bolt-Carriage 5/16-18 X 1	19:5	1-543017	1	Balljoint
10	109-5891	2	Hub-Threaded	20	109-9505	4	Washer, Spring Disc 1/2
11	325-12	2	Screw-HH 1/2-13 X 3	21	3256-6	2	Washer
12	116-0039	1	Lever-Control Motion, RH	22	32128-56	2	Nut-Hex 1/2-13 Flange
13	116-0040	1	Lever-Control Motion, LH	23	3256-23	2	Washer-5/16 SAE
14	135-4371	1	RH Handle ASM	24	3218-5	2	Nut-Jam 1/2-13
				25	115-1794	2	Screw-Hex Flange 5/16-18 X 1 1/2

● Use Pro-Lock, Nut Type (P/N 1-840022, .5ml tube) on threads.

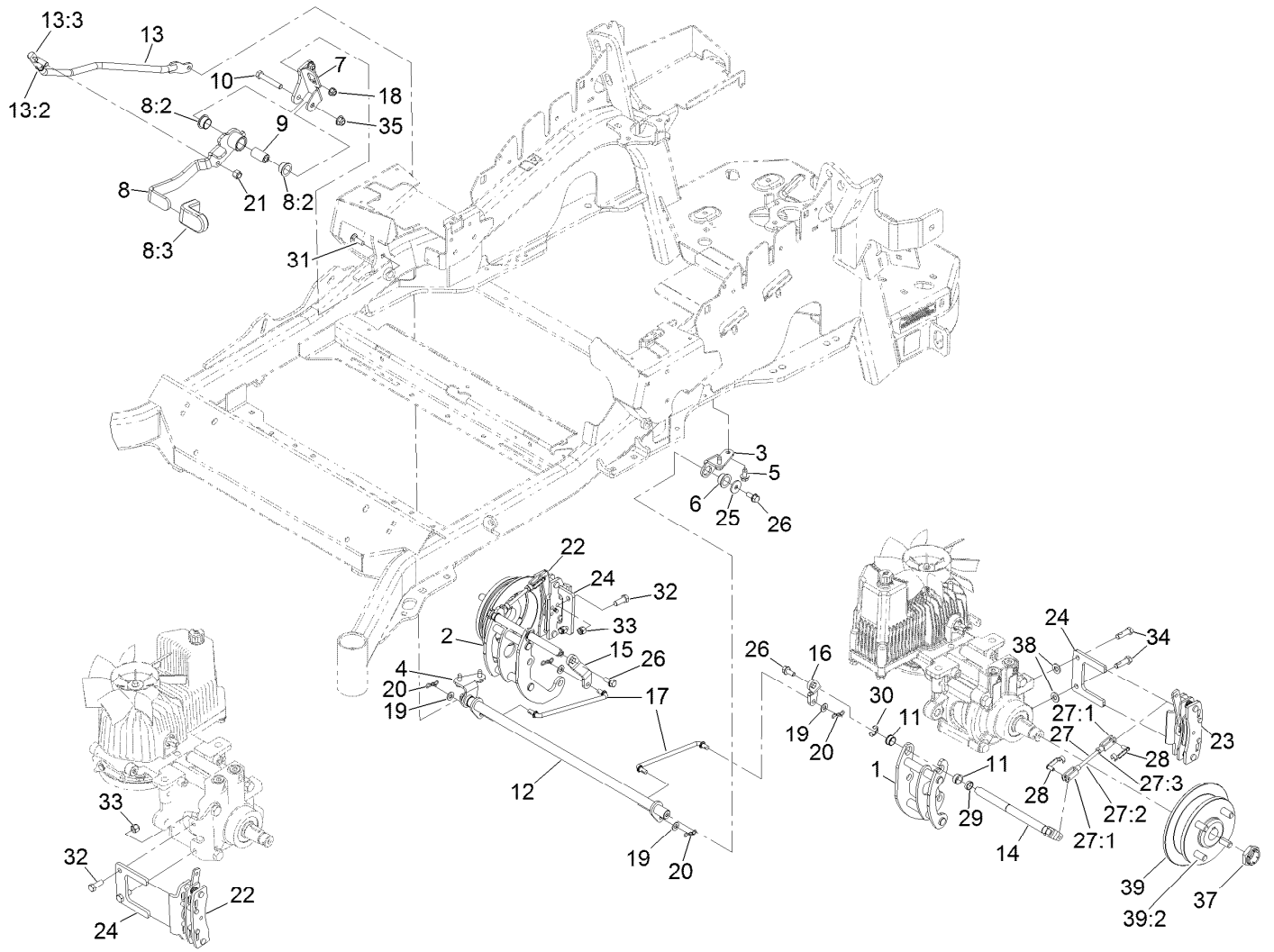
Rear Wheel Assembly



Rear Wheel Assembly (continued)

<i>Ref.</i>	<i>Part Number</i>	<i>Qty.</i>	<i>Description</i>	<i>Ref.</i>	<i>Part Number</i>	<i>Qty.</i>	<i>Description</i>
1	116-8289	2	Wheel And Tire ASM	2	242-50	8	Nut-Lug 1/2-20
1:1	116-8290	1	ASM, Rim	3	126-2055	2	Decal-Torque, Wheel Hub Lug
1:2	116-8291	1	Tire-Drive, 23X9.5-12				
1:3	232-27	1	Stem-Valve				

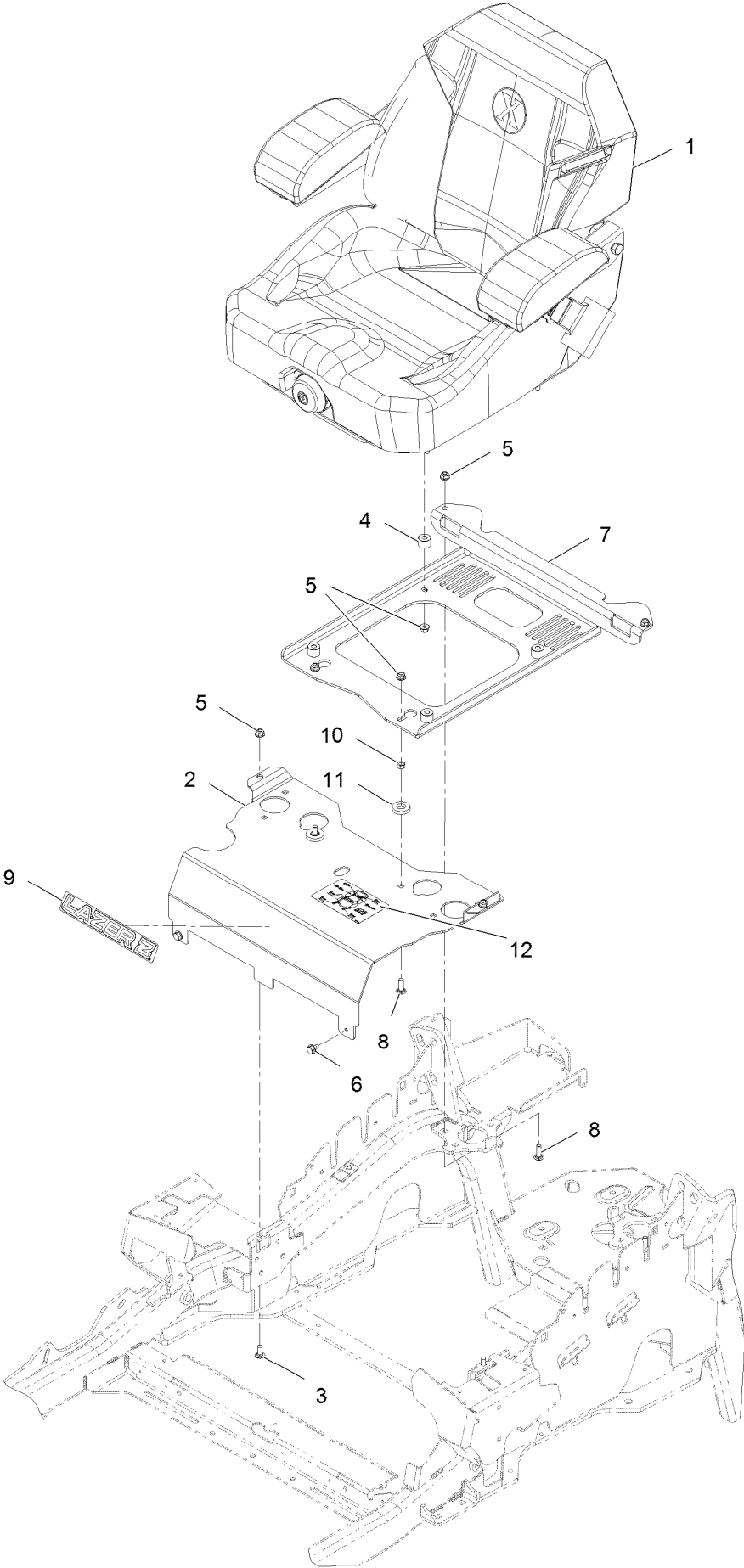
Park Brake Assembly



Park Brake Assembly (continued)

<i>Ref.</i>	<i>Part Number</i>	<i>Qty.</i>	<i>Description</i>	<i>Ref.</i>	<i>Part Number</i>	<i>Qty.</i>	<i>Description</i>
1	126-4248	1	Mount-Bellcrank, LH	20	119-1415	4	Pin-Cotter, Locking
2	126-4249	1	Mount-Bellcrank, RH	21	3296-6	1	Nut-Lock
3	116-9681	1	Mount-Pivot, LH	22	135-7440	1	Caliper-Brake, RH
4	116-9682	1	Mount-Pivot, RH	23	135-7441	1	Caliper-Brake, LH
5	32144-70	4	Screw-HWHTF	24	135-7828	2	Plate-Mount, Brake
6	109-8054	2	Bushing-Flange	25	115-7109	2	Washer-Flat
7	116-9096-01	1	Bracket-Mount	26	98-9940	4	Screw-HHF
8	135-7565	1	Brake Lever ASM	27	126-7587	2	Rear Linkage ASM
8:2	109-8054	2	Bushing-Flange	27:1	126-7588	2	Yoke
8:3	132-4749	1	Grip-Lever	27:2	116-9069	1	Linkage, Rear
9	116-9117	1	Pivot-Handle, Brake	27:3	3220-1	1	Nut-Jam
10	323-11	1	Screw-HH	28	126-6395	4	Pin-Clevis, Spring
11	126-6199	4	Bushing	29	126-6200	2	Spacer
12	135-7800	1	Shaft-Cross	30	32120-19	2	E-Ring
13	135-7805	1	ASM, Front Linkage	31	3230-2	2	Bolt-CARR
13:2	94-7572	1	End-Tie Rod, RH	32	135-7915	2	Screw-HH,
13:3	3220-3	1	Nut-HJ	33	112-0236	2	Nut-Lock
14	126-4251	2	Bellcrank	34	135-7890	2	Screw-HH, Patch,
15	126-3716	1	Arm-Inner, RH	35	104-8301	1	Nut-HF, NI
16	126-3715	1	Arm-Inner, LH	37	116-1399	2	Locknut
17	135-7584	2	Wireform, Mid-Link, Lwb	38	3256-24	6	Washer-Flat
18	104-8300	2	Nut-HF, NI	39	142-2701	2	Wheel Hub ASM
19	3256-23	4	Washer-Plain	39:2	116-1696	4	Stud-Wheel

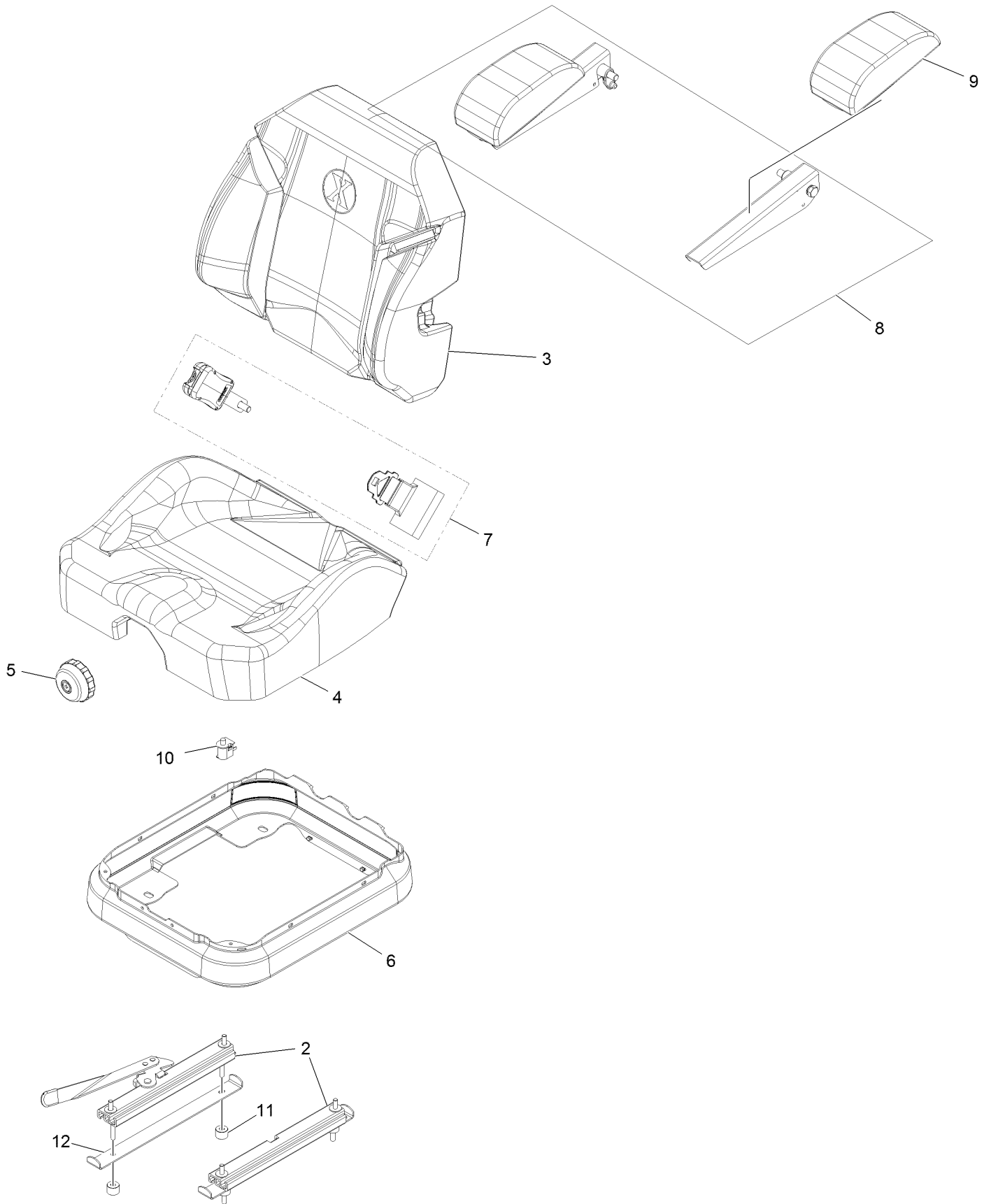
Seat Assembly



Seat Assembly (continued)

<i>Ref.</i>	<i>Part Number</i>	<i>Qty.</i>	<i>Description</i>	<i>Ref.</i>	<i>Part Number</i>	<i>Qty.</i>	<i>Description</i>
1	116-8912	1	Kit-Suspension Seat	7	116-0192-03	1	Plate-Support, Seat
2	116-2130-03	1	Panel-Front, Seat Mount	8	3230-22	4	Bolt-Carriage 5/16-18 X 1 Sp
3	3230-23	2	Bolt-Carriage 5/16-18 X 3/4 Short Neck	9	126-6574	1	Decal, Lazer Model
4	116-9329	4	Spacer	10	3217-6	2	Nut-Hex 5/16-18
5	104-8300	10	Nut-Nyloc 5/16-18 Flg	11	1-323539	2	Spacer-Blade Drive
6	9266934	2	Screw-HWH 5/16 X 1/2 Tf	12	114-4465	1	Decal-Service Aid

Seat Assembly (cont.)

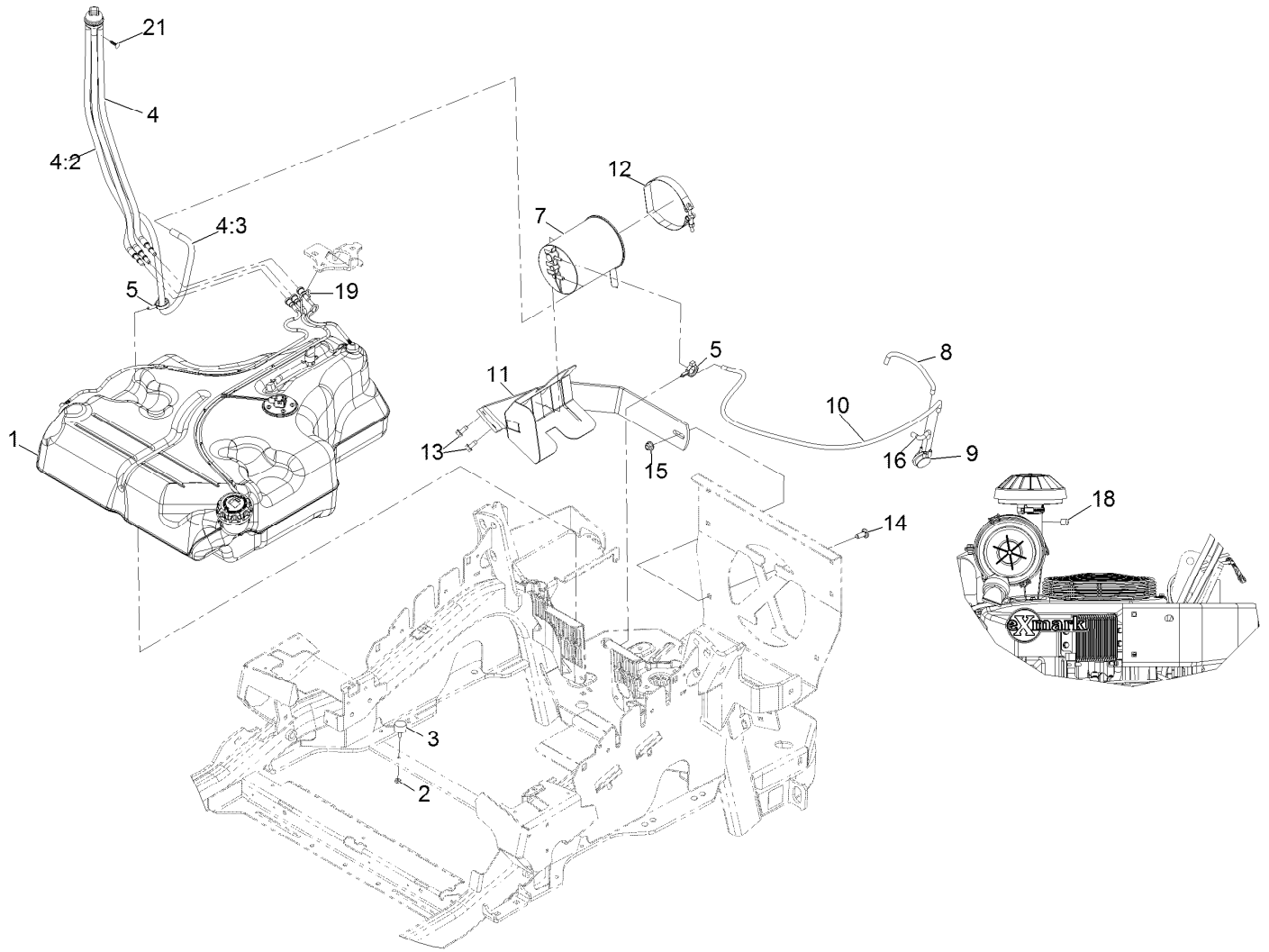


Seat Assembly (cont.) (continued)

<i>Ref.</i>	<i>Part Number</i>	<i>Qty.</i>	<i>Description</i>	<i>Ref.</i>	<i>Part Number</i>	<i>Qty.</i>	<i>Description</i>
2	116-8910	1	Seat Track Set	7	126-2061	1	Seat Belt Service Kit
3	116-8908	1	Cover-Back 311463Vn500	8	116-8906	1	Kit-Arm Rest Set
4	116-8909	1	Cover-Cushion 311464Vn500	9	116-8905	1	Kit-Arm Rest Pads
5	116-8911	1	Knob-Adjuster	10	82-2190	1	Switch
6	116-5659	1	Cover-Suspension Bellows	11	116-9329	4	Spacer
				12	126-9918-03	2	Stop, Seat ●

● Used on Diesel models only

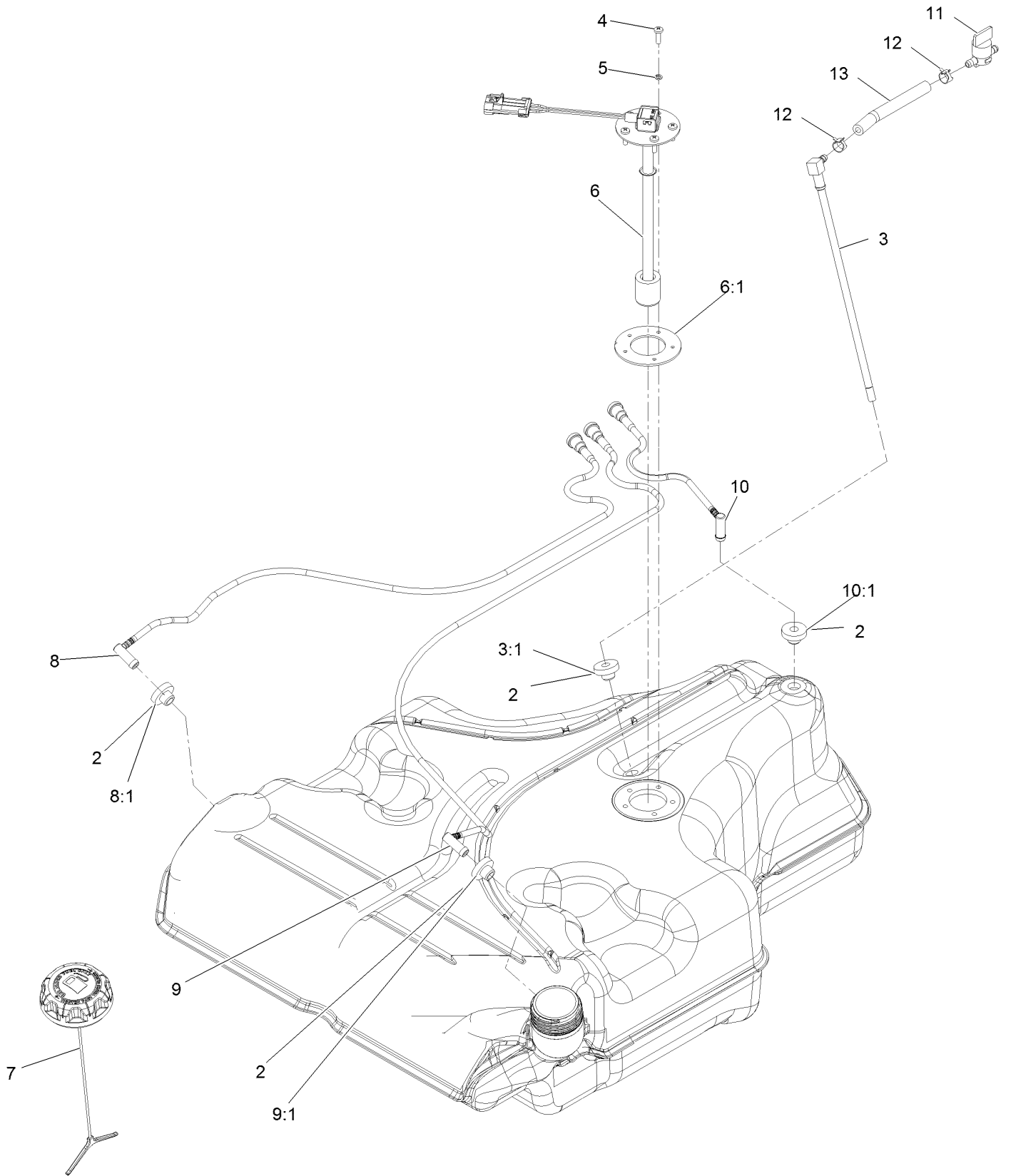
Fuel Assembly



Fuel Assembly (continued)

<i>Ref.</i>	<i>Part Number</i>	<i>Qty.</i>	<i>Description</i>	<i>Ref.</i>	<i>Part Number</i>	<i>Qty.</i>	<i>Description</i>
1	126-9156	1	ASM-8 Gallon Fuel Tank	11	116-1433-03	1	Mount-Canister
2	3218-1	2	Nut-Jam 1/4-20	12	116-2228	1	Clamp, T-Bolt
3	1-523420	2	Bumper	13	32144-70	2	Screw-HWH 5/16-18 X 3/4 Tf
4	127-0583	1	Fuel Manifold Vent ASM	14	3231-22	1	Bolt-Carriage 3/8-16 X 1
4:2	109-0302	3	Hose-Fuel Line 24"	15	104-8301	1	Nut-Nyloc 3/8-16 Flg
4:3	108-5376	1	Hose-Fuel	16	119-8502	1	Hose-Vent, Formed
5	105-1853	2	Clamp-Hose	18	116-4464	1	Plug-Port
7	116-1442	1	Canister-Carbon, 1200Cc	19	116-6005	1	Retainer-Line, Vapor
8	135-3415	1	Hose-Vent,Formed	21	125-8067	1	Plug-Plastic
9	116-2232	1	Valve-Control, Vacuum				
10	135-3417	1	Hose,Vent,Formed				

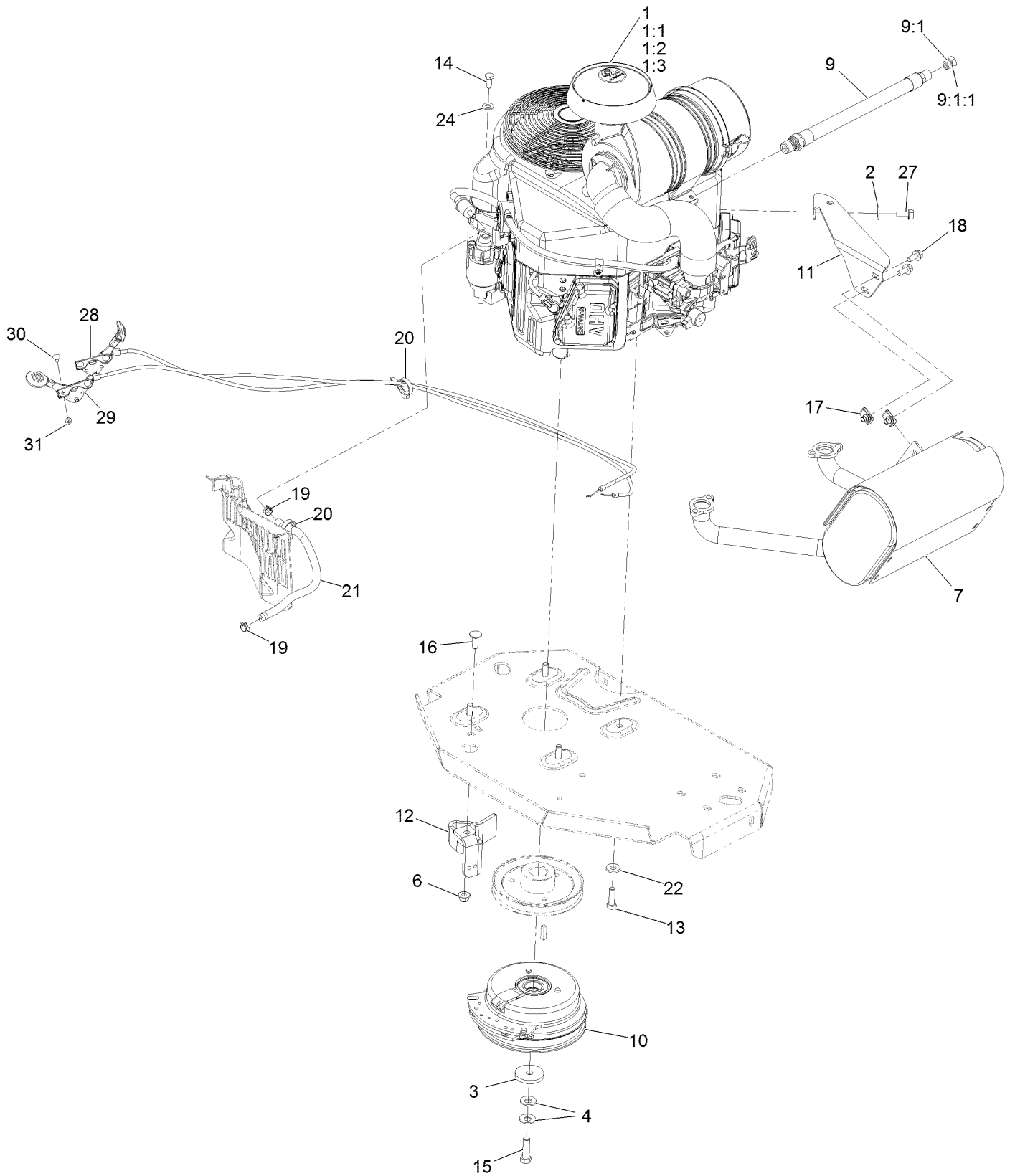
Fuel Tank Assembly



Fuel Tank Assembly (continued)

<i>Ref.</i>	<i>Part Number</i>	<i>Qty.</i>	<i>Description</i>	<i>Ref.</i>	<i>Part Number</i>	<i>Qty.</i>	<i>Description</i>
2	46-6560	4	Bushing	8:1	46-6560	1	Bushing
3	116-2459	1	Fuel Line Kit (With Grommet)	9	116-2461	1	LH Vent Line Kit (With Grommet)
3:1	46-6560	1	Bushing	9:1	46-6560	1	Bushing
4	3290-500	5	Screw-PPH #10-24 X 5/8	10	116-2462	1	Rear Vent Line Kit (With Grommet)
5	3253-17	5	Washer-Lock 3/16	10:1	46-6560	1	Bushing
6	126-3949	1	Sender-Level, Fuel (W/Gasket)	11	1-603770	1	Valve-Fuel
6:1	126-3950	1	Gasket-Sender	12	2412-98	2	Clamp-Hose
7	126-1789	1	Cap-Fuel, Ratcheting	13	109-0650	1	Hose-Fuel
8	116-2460	1	RH Vent Line Kit (With Grommet)				

Engine Assembly



Engine Assembly (continued)

<i>Ref.</i>	<i>Part Number</i>	<i>Qty.</i>	<i>Description</i>	<i>Ref.</i>	<i>Part Number</i>	<i>Qty.</i>	<i>Description</i>
1		1	Engine-Kawasaki, Fx651V-S07-R ■▲	12	116-2612-01	1	Clutch-Anchor
1:1		1	Kawasaki 49065-7007 Engine Oil Filter ■▲	13	323-7	4	Screw-HH 3/8-16 X 1 1/4
1:2		1	Kawasaki 11013-7044 Engine Air Filter ■▲	14	33114-020	1	Screw-HH M8-1.25 X 20Mm
1:3		1	Kawasaki 11013-7045 Safety Filter ■▲	15	109-9761	1	Screw-HH 7/16-20 X 1 1/2 W/Loctite □
2	1-303334	1	Washer-Spring Disc 5/16	16	3231-22	1	Bolt-Carriage 3/8-16 X 1
3	109-6919	1	Washer-Clutch	17	94-2413	2	Nut-U
4	1-603610	2	Washer-Spring Disc 7/16	18	3234-5	2	Screw-HH Flg 5/16-18 X 3/4
6	104-8301	1	Nut-Nyloc 3/8-16 Flg	19	2412-98	2	Clamp-Hose
7	116-1715	1	Muffler	20	105-1853	2	Clamp-Hose
9	116-4924	1	Asm-Hose Oil Drain W/Plug ◆	21	109-0296	1	Hose-Fuel Line 15"
9:1	353-508	1	Plug-W/O-Ring ●	22	98-5975	4	Washer-Spring Disc 3/8
9:1:1	237-42	1	O-Ring	24	33094-00	1	Washer
10	116-1947	1	Clutch	27	95-4184	1	Screw-HH M8-1.25 X 20Mm
11	116-1435	1	Bracket-Muffler	28	109-8167	1	ASM, Choke Cable
				29	116-1972	1	ASM,Throttle Cable
				30	1-807513	4	Bolt-Carriage #10-24 X 1/2
				31	3296-2	4	Nut-Nyloc #10-24

● Torque to 24-26 ft-lb

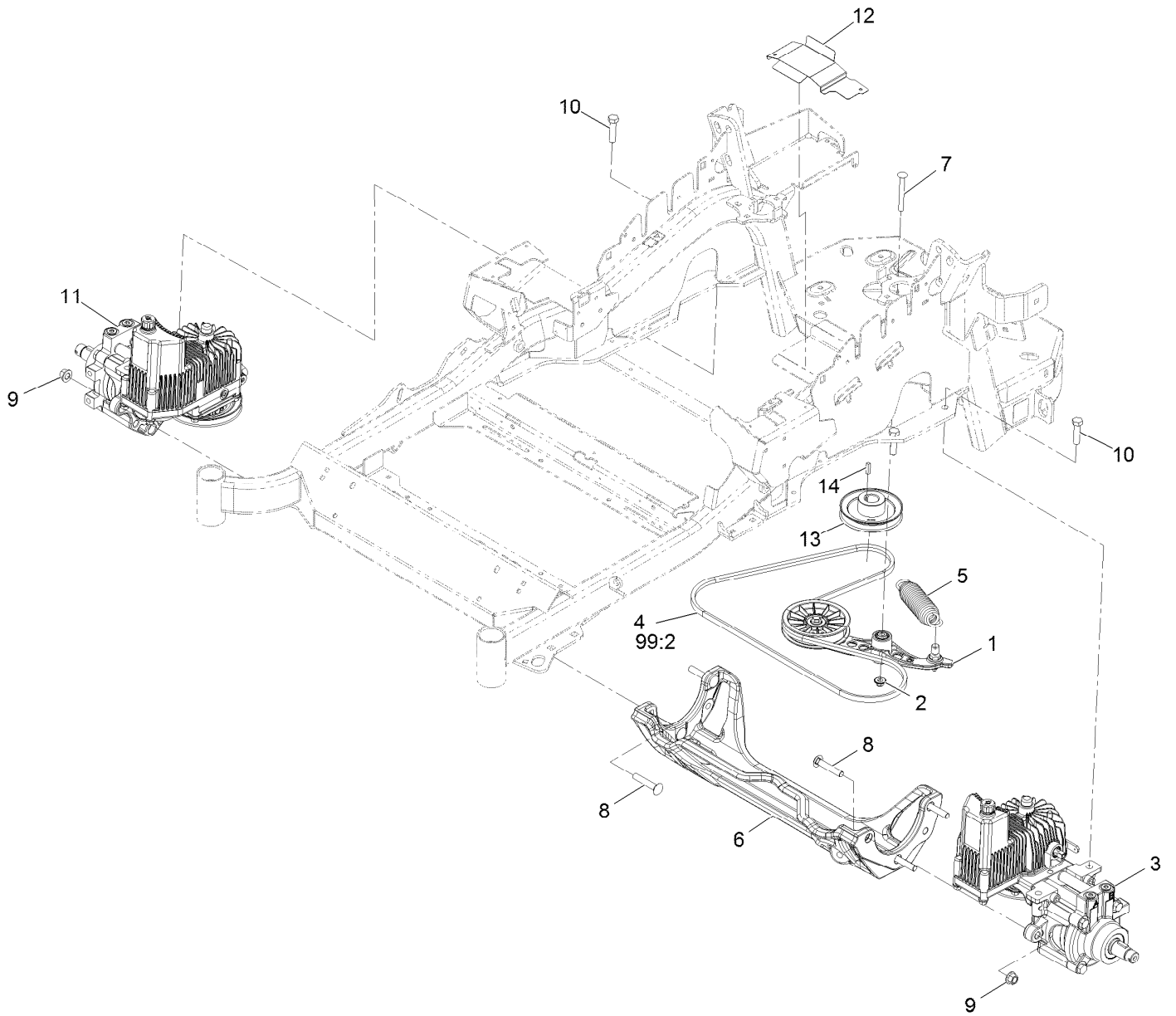
▲ Obtain parts from www.kawpowerepc.com

◆ Use a Teflon Pipe Sealant or equivalent on threads.

□ Use Pro-Lock, Nut Type (P/N 1-840022, .5ml tube) on threads.

■ Not serviced separately

Hydraulic Assembly

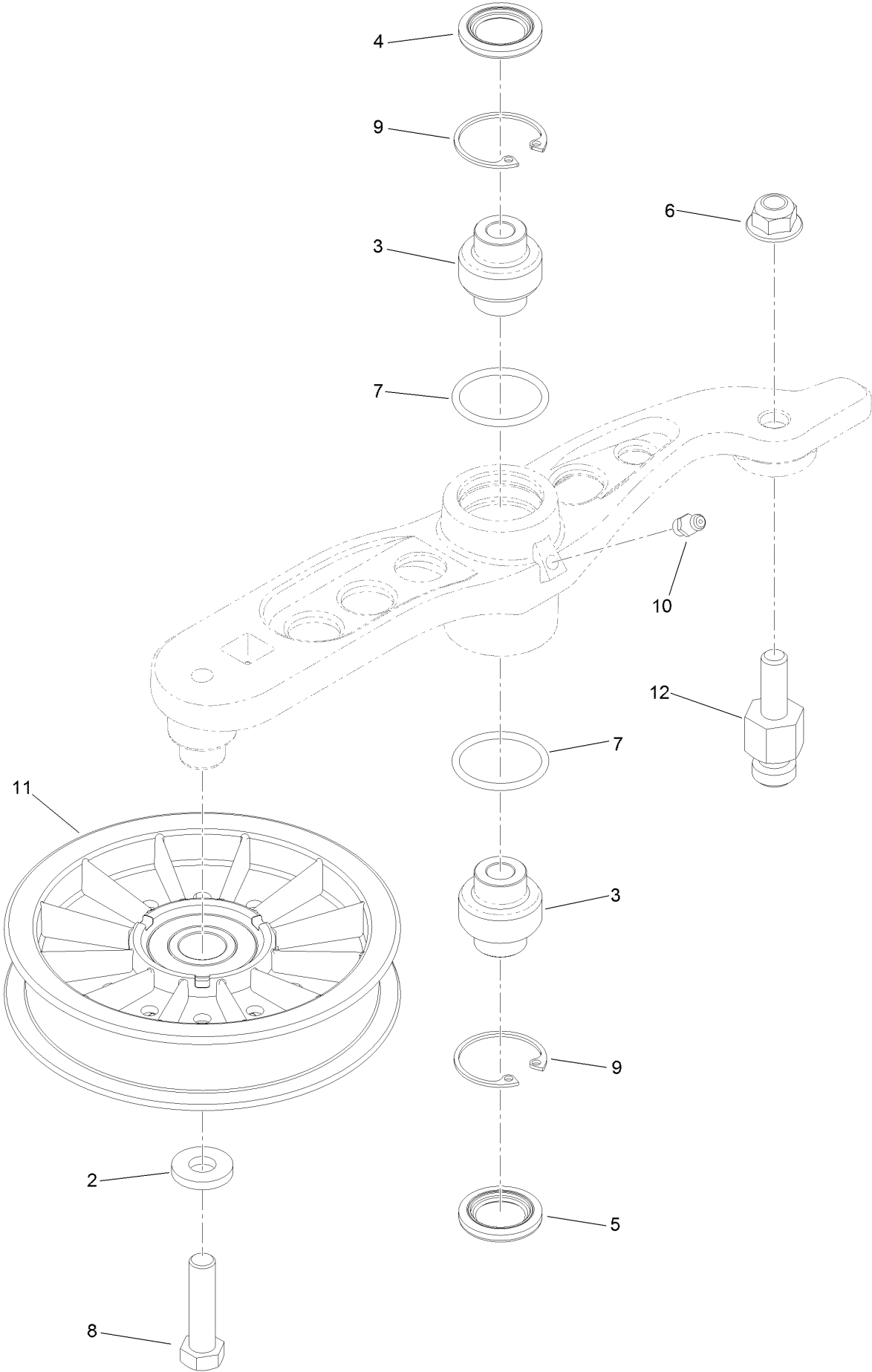


Hydraulic Assembly (continued)

<i>Ref.</i>	<i>Part Number</i>	<i>Qty.</i>	<i>Description</i>	<i>Ref.</i>	<i>Part Number</i>	<i>Qty.</i>	<i>Description</i>
1	116-1255	1	Pump Idler ASM	12	116-2999-01	1	Guard-Belt
2	109-6658	1	Nut-Flange, NI	13	116-1946	1	Sheave-Pump, Drive
3	126-1327	1	LH Hydro ASM (12Cc No Fan)	14	1-807259	1	Key
4	126-8475	1	Belt-V	99	109-9828	1	Oil-HYD, (Quart) ●
5	116-6317	1	Spring-Extension	99	116-0164	1	Filter-Hydro ●
6	116-7558	1	Cradle-Hydro	99	116-1218	1	Oil-HYD, 1 Gallon ●
7	116-1502	1	Bolt-Shoulder, Carriage	99	116-3282	1	Kit,Hydro Service ●
8	126-0095	6	Screw-CARR	99:1	109-9828	4	Oil-HYD, (Quart) ●
9	99-5107	6	Nut-Lock	99:2	116-1953	1	Belt-V
10	325-8	4	Screw-HH	99:3	116-0164	2	Filter-Hydro ●
11	126-1328	1	RH Hydro ASM (12Cc No Fan)				

● Not illustrated

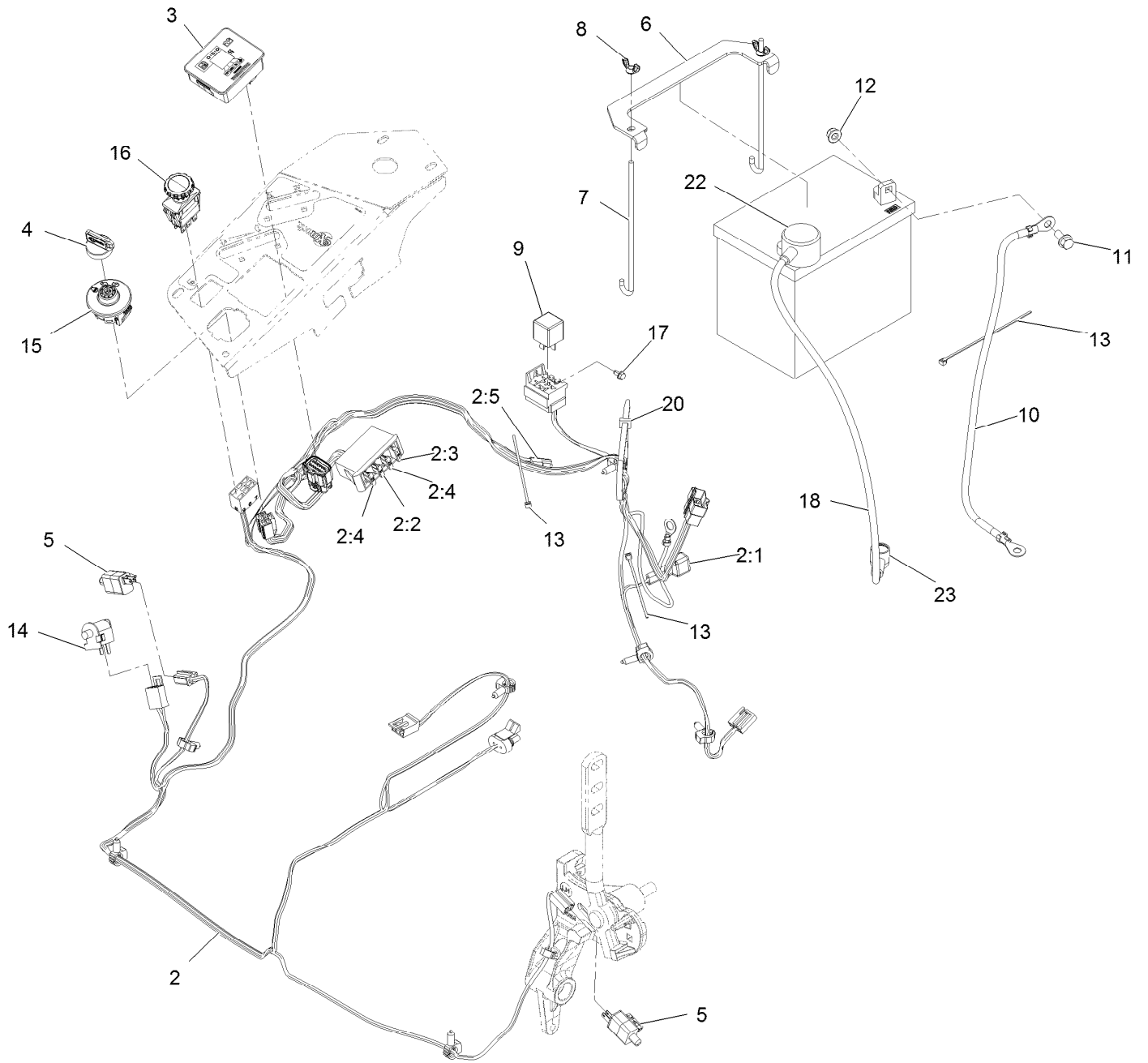
Pump Idler Assembly No. 116-1255



Pump Idler Assembly No. 116-1255 (continued)

<i>Ref.</i>	<i>Part Number</i>	<i>Qty.</i>	<i>Description</i>	<i>Ref.</i>	<i>Part Number</i>	<i>Qty.</i>	<i>Description</i>
2	43-0940	1	Spacer	8	323-8	1	Screw-HH
3	103-3504	2	Bearing-Spherical	9	32120-10	2	Ring-Snap
4	103-3505	1	Seal-Lip, Double	10	302-19	1	Fitting-Grease
5	103-3506	1	Seal-Lip, Single	11	109-8076	1	Pulley-Idler
6	109-6658	1	Nut-Flange, NI	12	132-4724	1	Pin-Anchor, Spring
7	106-7159	2	O-Ring				

Electrical Assembly



Electrical Assembly (continued)

<i>Ref.</i>	<i>Part Number</i>	<i>Qty.</i>	<i>Description</i>	<i>Ref.</i>	<i>Part Number</i>	<i>Qty.</i>	<i>Description</i>
2	116-6009	1	Harness-Wire, Main ●	9	1-643275	1	Relay-12Vdc 40 Amp
2:1	103-3895	1	Diode	10	114-1218	1	Cable-Battery, Negative
2:2	218-578	1	Fuse-Blade, 10 Amp	11	3234-5	2	Screw-HH Flg 5/16-18 X 3/4
2:3	109355	1	Fuse-Blade, 15 Amp	12	104-8300	2	Nut-Nyloc 5/16-18 Flg
2:4	109102	2	Fuse-Blade, 25 Amp	13	1-303287	3	Tie-Cable 5 1/2 (Small)
2:5	116-0053	1	Cap-Plug	14	82-2190	1	Switch
3	117-3882	1	Fuel/Hour Meter ASM	15	137-4100	1	Switch-Ignition
4	1-603511	1	Key-Ignition	16	116-0124	1	Switch-PTO, 10 Amp
4	103-2106	1	Key-Exmark Logo	17	104-2065	1	Screw-HWH #10-24 X 3/8
5	110-6765	2	Switch	18	115-3864	1	Cable-Battery, Positive
6	116-0042-03	1	Strap-Tie Down, Battery	20	1-303335	1	Tie-Cable 7 15/16 (Large)
7	1-633651	2	Bolt-Holddown	22	109-2407	1	Insulator-Battery
8	1-543792	2	Wingnut-Nyloc 1/4-20	23	1-543393	1	Insulator-Solenoid

● Use dielectric grease on all unsealed connectors and terminals only. Do not apply in sealed connectors.

Notes:

Notes:

Notes:



MAXIMIZE THE PERFORMANCE OF YOUR EXMARK MACHINE.



EXMARK® PREMIUM ENGINE OIL

Exmark now offers a family of engine oil viscosities to perform well in any environment. Each viscosity has the same synthetic formulation to give you what you need in punishing conditions. We designed each grade to the highest quality, making it ideal even for diesel applications. Coupled with Exmark Premium Fuel Treatment, we have the performance products to make your machine hum.

EXMARK PREMIUM ENGINE OIL SAE 30/10W-30

- Meets zero shear requirements of a straight grade SAE 30 as well as the cold temp properties of a 10W-30.
- Most versatile oil in the industry.
- Superior corrosion protection over conventional oil - even in corrosive, humid environments.

EXMARK PREMIUM ENGINE OIL SAE 20W-50

- Perfect for your big block engine, or any application in severe service.
- Same full synthetic formulation as all other Exmark Premium viscosities.
- Also effective for use in severe service small block engines.

EXMARK PREMIUM ENGINE OIL SAE 10W-50

- Full synthetic formulation gives you peak performance. Don't settle for less.
- Wide span multi-grade combines easy starting in cold weather with maximum protection in high temperature operation.
- Reduce friction & wear over standard mineral formulations.

EXMARK PREMIUM ENGINE OIL SAE 0W-40

- The perfect choice for when the weather turns cold or unpredictable, and your Exmark UTV has to perform.
- Commercial quality for severe service.
- Advanced additive package helps prevent corrosion from long-term storage.

EXMARK PREMIUM ENGINE OIL UTV FORMULATION

- 4-cycle high-temp formulation.
- Heavier viscosity, full synthetic, perfect for your UTV.

EXMARK PREMIUM UTV EXTREME CONDITIONS GEAR OIL

- SAE 80W-90, designed to keep your UTV performing at its peak.
- Shear stable, hypoid gear lube.
- Includes a premium additive system to combat wear, oxidation, rust & corrosion.

Available from your local Exmark dealer. Find your closest dealer at exmark.com

EXMARK ACCESSORIES AND OPTIONS*

MID-MOUNT RIDING ACCESSORIES AND OPTIONS

CUSTOM RIDE SEAT SUSPENSION SYSTEM	OPERATOR CONTROLLED DISCHARGE
FULL SUSPENSION SEAT	SUN SHADE
DECK LIFT ASSIST KIT	TRASH CONTAINER
HITCH KIT	TURF STRIPER
LIGHT KIT	ULTRA VAC COLLECTION SYSTEM
12V POWER PORT	ULTRA VAC QUICK DISPOSAL SYSTEM
MICRO-MULCH SYSTEM	

OUT-FRONT RIDING ACCESSORIES AND OPTIONS

CUSTOM RIDE SEAT SUSPENSION SYSTEM	SNOW BLADE
DUAL-TAIL WHEEL	SNOWBLOWER
FLOOR PAN EXTENDER	SUN SHADE
HITCH KIT	TRASH CONTAINER
LIGHT KIT	ULTRA VAC COLLECTION SYSTEM
MICRO-MULCH SYSTEM	ULTRA VAC QUICK DISPOSAL SYSTEM
ROLL OVER PROTECTION SYSTEM (ROPS)	WEATHER CAB

WALK-BEHIND ACCESSORIES AND OPTIONS

GRASS CATCHER	TURF STRIPER
MICRO-MULCH SYSTEM	STANDON

*Some accessories and options not available for some models.

Place Model No. and Serial No.
Label Here (Included in the Literature
Pack) or Fill in Below

Model No. _____

Serial No. _____

Date Purchased _____

Engine Model No. and Spec. No. _____

Engine Serial No. (E/No) _____

© 2019 Exmark Mfg. Co., Inc.
2101 Ashland Ave
Beatrice, NE 68310
All Rights Reserved

Part No. 4504-793 Rev. A
(402) 223-6375
Fax (402) 223-5489
Printed in the USA.

