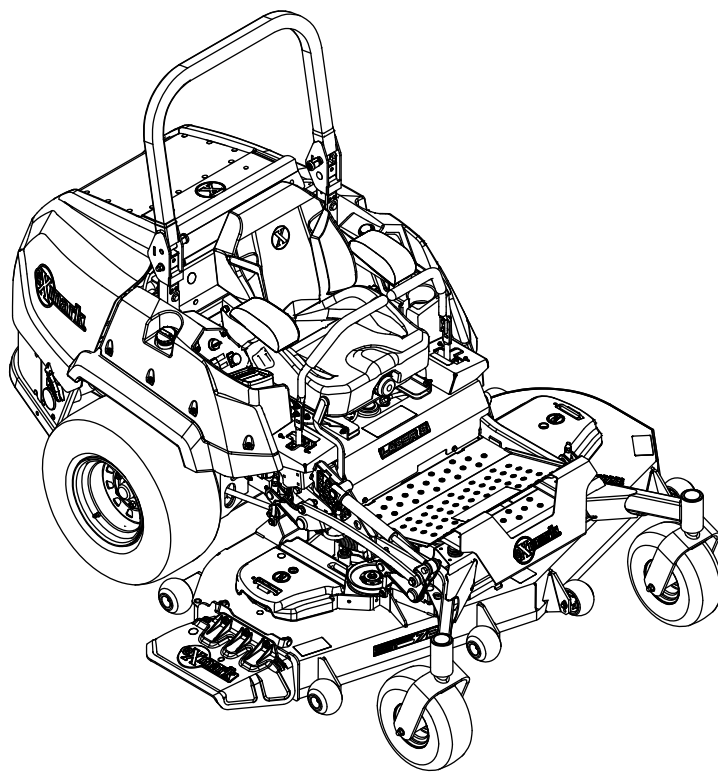




LAZER Z[®] DIESEL

Model No. LZS80TDYM604W0—Serial No. 406294345 and Up

Picture below may not reflect actual product.



Parts Manual

Part No. 4504-648 Rev. A

Ordering Replacement Parts

To order replacement parts, please supply the part number, the quantity, and the description of each part desired.

Understanding Reference Numbers

Each identified part in an illustration has a reference number. The reference number for a part also appears in the parts list, along with other information about the part.

This catalog uses two special reference number formats, one to indicate parts in a service assembly and another to indicate the quantity of a given part in an illustration.

Service Assembly Reference Numbers

Parts in service assemblies have reference numbers in the form a:b. The a represents the reference number of the entire service assembly and the b represents a sequential number unique to each part within the service assembly.

For example, a wheel assembly might be identified by reference number 6, the tire by 6:1, the valve by 6:2, and the wheel by 6:3. When you order the assembly identified by reference number 6, you receive all parts identified by reference numbers 6:1, 6:2, and 6:3. However, you may also order any part individually. Reference numbers of this type appear in illustration and in parts lists.

Reference Numbers Indicating Quantity

In an illustration, if a reference number indicates more than one part, the reference number has the form nX y. The n represents the quantity of the part, the X is the multiplication symbol, and the y represents the reference number.

For example, in an illustration, the reference number 2X 37 means that two of the parts identified by reference number 37 are indicated.

Touch Up Paint

Exmark black touch up spray paint – gloss black.

Exmark red touch up paint (spray paint – P/N 1-850337 - .6 oz liquid bottle – P/N 103-9140).



If your Exmark dealer does not have the Exmark part in stock, Exmark will get the parts to the dealer the next business day or the part will be FREE Guaranteed!! (Some restrictions apply. See your participating Exmark Dealer for details.)

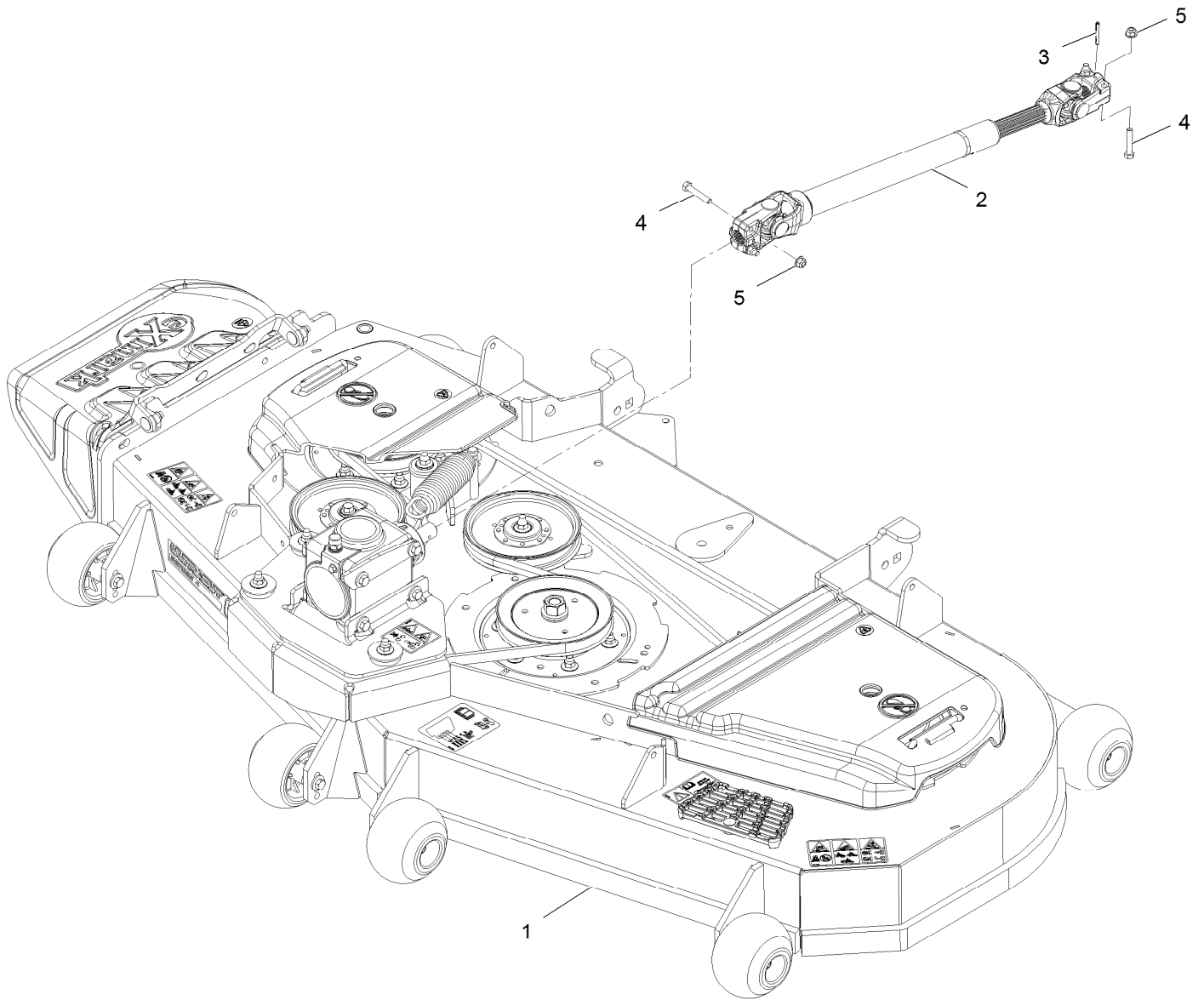
Contents

| | |
|---|----|
| Complete Deck Assembly (Gearbox Asm Not Included) | 6 |
| Deck Assembly W/Gearbox | 8 |
| Deck Assembly | 10 |
| Deck W/Decals Assembly | 12 |
| Idler Arm Assembly | 14 |
| Gearbox and Mount Assembly | 16 |
| Gearbox Assembly (cont.) | 18 |
| Driveshaft Assembly | 20 |
| Power Frame Assembly | 22 |
| Frame Assembly | 24 |
| Roll-Over Protection System Assembly | 26 |
| Rear Wheel Assembly | 28 |
| Caster Wheel and Fork Assembly | 30 |
| Deck Lift Assembly | 32 |
| Hydraulic Lift Fold Assembly | 34 |
| Motion Control Assembly | 36 |
| Rod Linkage Assembly | 38 |
| Parking Brake Assembly | 40 |
| Seat Assembly | 42 |
| Seat Assembly (cont.) | 44 |
| Fuel Assembly | 46 |
| LH Fuel Tank Assembly | 48 |
| RH Fuel Tank Assembly | 50 |
| Valve Assembly No. 131-1934 | 52 |
| Engine, Muffler and Air Cleaner Assembly | 54 |
| Air Cleaner Assembly No. 126-7646 | 56 |
| Hood and Console Assembly | 58 |
| Hood Assembly | 60 |
| Cooling Assembly | 62 |
| Cooling Assembly (cont.) | 64 |
| Cylinder Block Assembly | 66 |
| Gear Housing Assembly | 68 |
| Flywheel Housing and Oil Sump Assembly | 70 |
| Cylinder Head and Cover Assembly | 72 |
| Suction Manifold Assembly | 74 |
| Exhaust Manifold Assembly | 76 |
| Camshaft and Driving Gear Assembly | 78 |
| Turbine Assembly | 80 |
| Crankshaft and Piston Assembly | 82 |
| Oil Pump Assembly | 84 |
| Oil Pump Assembly (cont.) | 86 |
| Cooling Water System Assembly | 88 |
| Fuel Injection Pump Assembly | 90 |
| Governor Assembly | 92 |

Contents (continued)

| | |
|---|-----|
| Fuel Injection Valve Assembly | 94 |
| Fuel Pipe Assembly | 96 |
| Starting Motor Assembly | 98 |
| Generator Assembly | 100 |
| Electronic Control Unit Assembly | 102 |
| Fuel System Assembly | 104 |
| Gasket Set | 106 |
| Hydraulic Drive Assembly | 108 |
| Hydraulic Assembly | 110 |
| Hydraulic Reservoir Assembly | 112 |
| Transmission Assembly | 114 |
| Hydraulic Gear Pump Assembly | 116 |
| Transmission Assembly (cont.) Charge Pump Housing Assembly | 118 |
| Transmission Assembly (cont.) Center Section Assembly | 120 |
| Transmission Assembly (cont.) Gear Case and Clutch Assembly | 122 |
| Electrical Assembly | 124 |
| Harness Assembly | 126 |

Complete Deck Assembly (Gearbox Asm Not Included)

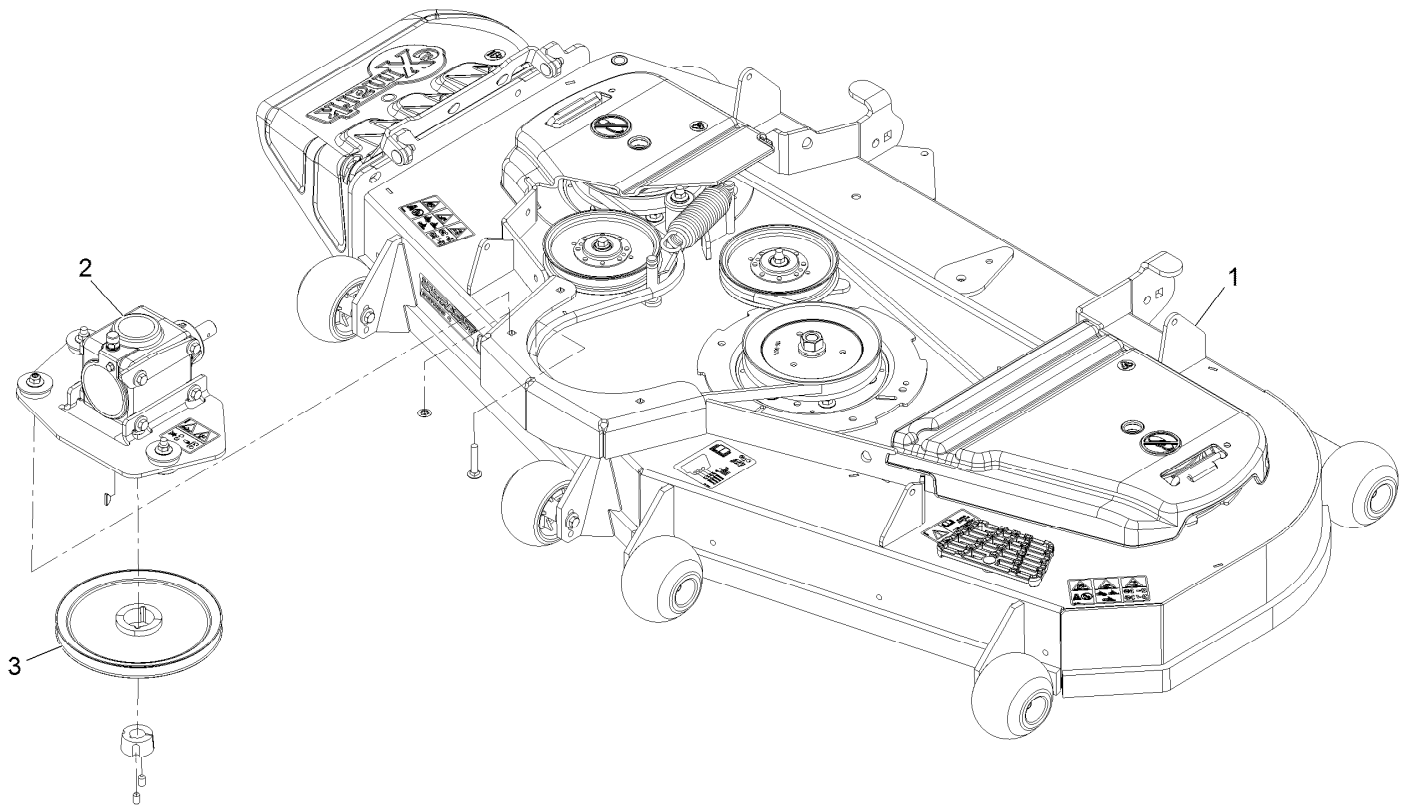


Complete Deck Assembly (Gearbox Asm Not Included) (continued)

| <i>Ref.</i> | <i>Part Number</i> | <i>Qty.</i> | <i>Description</i> | <i>Ref.</i> | <i>Part Number</i> | <i>Qty.</i> | <i>Description</i> |
|-------------|--------------------|-------------|--------------------|-------------|--------------------|-------------|--------------------------|
| 1 | | 1 | Deck ASM-604 ● | 3 | 32121-34 | 2 | Pin-Roll |
| 1 | 135-0828 | 1 | Deck ASM-604 | 4 | 322-9 | 4 | Screw-HH 5/16-18 X 1 3/4 |
| 2 | 110-3575 | 1 | Driveshaft ASM | 5 | 104-8300 | 4 | Nut-Nyloc 5/16-18 Flg |

● Not serviced separately

Deck Assembly W/Gearbox

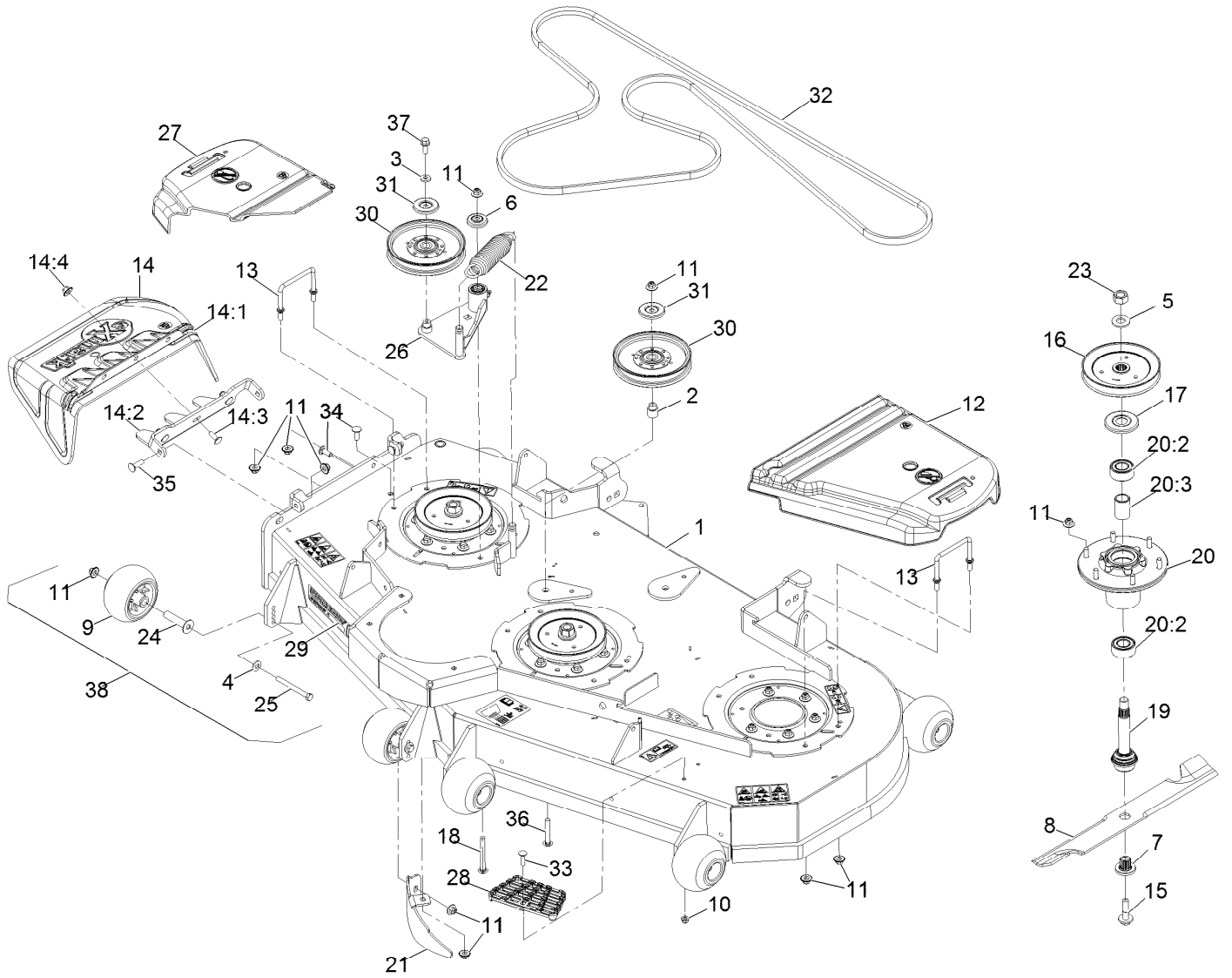


Deck Assembly W/Gearbox (continued)

| <i>Ref.</i> | <i>Part Number</i> | <i>Qty.</i> | <i>Description</i> |
|-------------|--------------------|-------------|--------------------|
| 1 | | 1 | Deck ASM-604 ● |
| 2 | | 1 | Gearbox ASM ● |
| 3 | 126-2822 | 1 | Pulley |

● Not serviced separately

Deck Assembly



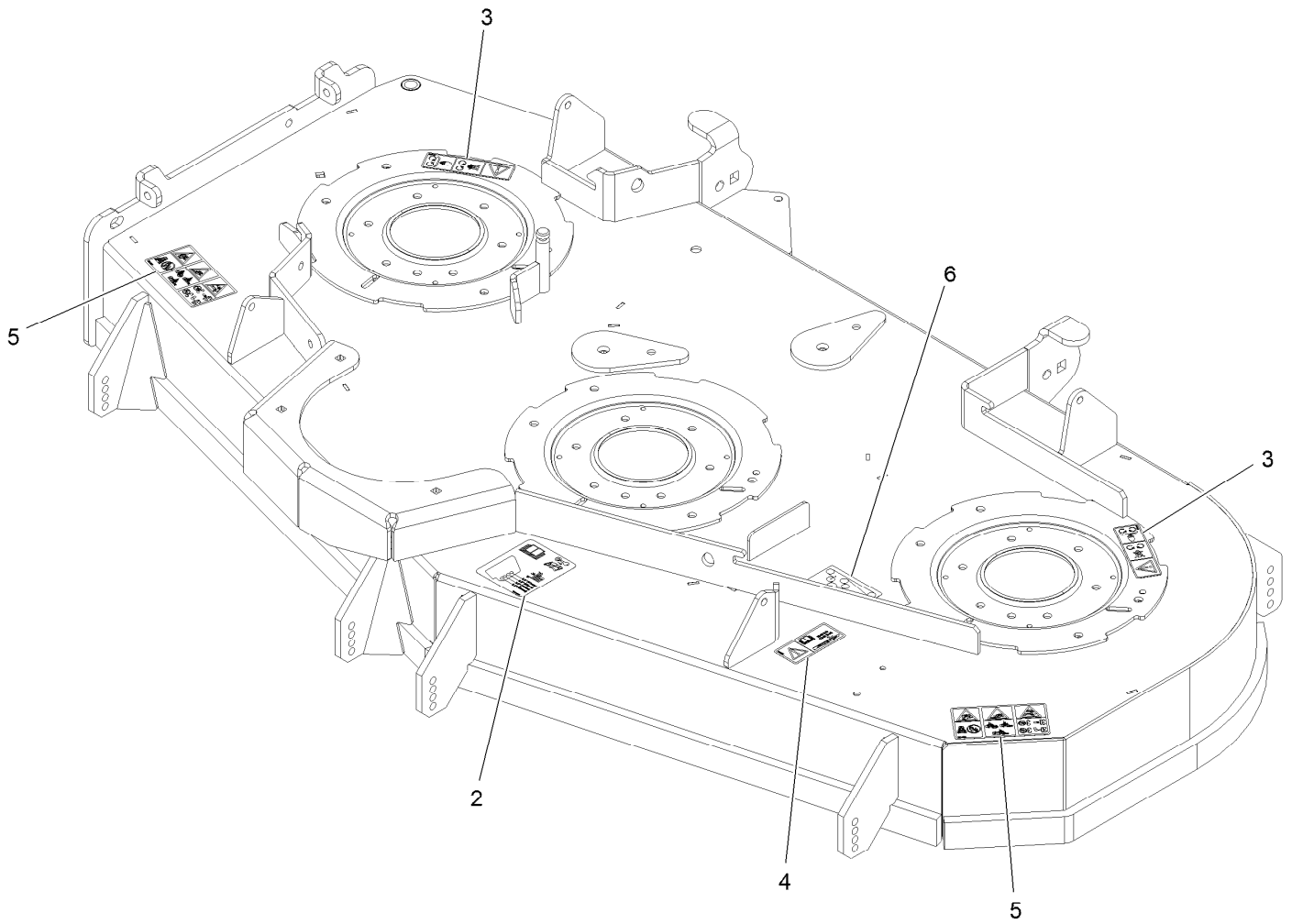
Deck Assembly (continued)

| <i>Ref.</i> | <i>Part Number</i> | <i>Qty.</i> | <i>Description</i> | <i>Ref.</i> | <i>Part Number</i> | <i>Qty.</i> | <i>Description</i> |
|-------------|--------------------|-------------|--|-------------|--------------------|-------------|----------------------------------|
| 1 | 126-0909 | 1 | Deck ASM, W/Decals 60 | 19 | 116-3341 | 3 | ASM-Spindle And Seal |
| 2 | 1-633456 | 1 | Bushing, Idler | 20 | 135-3437 | 3 | ASM-Cutter Hsg |
| 3 | 43-0940 | 1 | Spacer | 20:2 | 135-3144 | 2 | Bearing-3205 Trashguard |
| 4 | 98-5975 | 6 | Washer-Spring Disc 3/8 | 20:3 | 135-3440 | 1 | Spacer-Bearing |
| 5 | 103-2802 | 3 | Washer-Spring Disc 3/4 | 21 | 116-5614-01 | 1 | Dogleg - Lz60 |
| 6 | 103-2916 | 1 | Guard-Top | 22 | 116-6317 | 1 | Spring-Extension |
| 7 | 103-3037 | 3 | Bushing, Splined | 23 | 116-7306 | 3 | Nut-Hex |
| 8 | 103-6383 | 3 | Blade, Solid ● | 24 | 116-8131 | 6 | Axle, Roller |
| 8 | 103-6388 | 3 | Blade, Low Lift ● | 25 | 116-9362 | 6 | Screw-HH 3/8-16 X 3 3/4 GR 8 |
| 8 | 103-6393 | 3 | Blade, Mulching ■ | 26 | 126-2585 | 1 | Idler Arm ASM |
| 8 | 116-5174 | 3 | Blade-Extreme 2, 20.50" ● | 27 | 126-3182 | 1 | Beltshield-Rt, 60 |
| 8 | 103-6403 | 3 | Blade, Notched | 28 | 126-4781-03 | 1 | Step-Deck |
| 9 | 103-8415 | 6 | Roller-Anti-Scalp | 29 | 126-6589 | 1 | Decal, 604 |
| 10 | 104-8300 | 1 | Nut-Nyloc 5/16-18 Flg | 30 | 126-7685 | 2 | Idler-Pulley |
| 11 | 109-6658 | 34 | Nut-Nyloc 3/8-16 Flg | 31 | 126-8043 | 2 | Shield-Dust |
| 12 | 109-6938 | 1 | Cover-Belt, LH | 32 | 126-8047 | 1 | Belt-V |
| 13 | 109-6982 | 2 | Wireform-Cover | 33 | 3230-3 | 1 | Bolt-Carriage 5/16-18 X 1 1/4 |
| 14 | 109-7188 | 1 | ASM,Discharge Chute | 34 | 3231-22 | 2 | Bolt-Carriage 3/8-16 X 1 |
| 14:1 | 109-2738 | 1 | Chute, Discharge | 35 | 3231-28 | 2 | Bolt-Carriage 3/8-16 X 1 1/4 |
| 14:2 | 109-8675-01 | 1 | Bracket,Discharge Chute | 36 | 3231-44 | 1 | Bolt-Carriage 3/8-16 X 2 1/2 |
| 14:3 | 3231-22 | 3 | Bolt-Carriage 3/8-16 X 1 | 37 | 3234-11 | 1 | Screw-HH Flg 3/8-16 X 1 |
| 14:4 | 109-6658 | 3 | Nut-Nyloc 3/8-16 Flg | 38 | 116-9981 | 6 | Kit, Anti-Scalp Roller |
| 15 | 109-9220 | 3 | Screw-Sems 1/2-20 X 2.19 | | | | |
| 16 | 116-0675 | 3 | Sheave,Blade Drive 6.50 | | | | |
| 17 | 103-1330 | 3 | Guard-Bearing Top | | | | |
| 18 | 116-1502 | 1 | Bolt-Carriage Shoulder 3/8-16 X 3 1/2 | | | | |

● Optional Equipment

■ Requires installation of mulch kit for proper mulching. See your Exmark dealer for details.

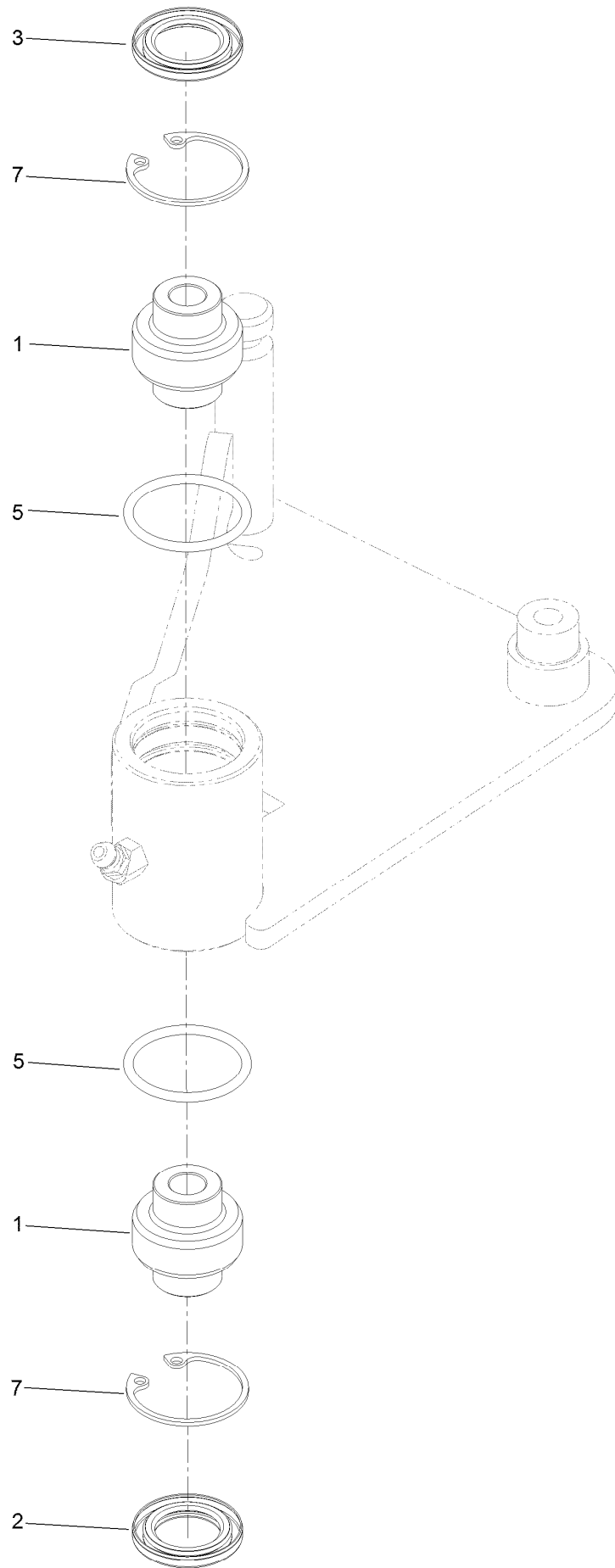
Deck W/Decals Assembly



Deck W/Decals Assembly (continued)

| <i>Ref.</i> | <i>Part Number</i> | <i>Qty.</i> | <i>Description</i> | <i>Ref.</i> | <i>Part Number</i> | <i>Qty.</i> | <i>Description</i> |
|-------------|--------------------|-------------|--------------------------|-------------|--------------------|-------------|--------------------------------|
| 2 | 109-6036 | 1 | Decal-Roller, Anti-Scalp | 5 | 126-6464 | 2 | Decal-Danger Thrown Objects |
| 3 | 112-9028 | 2 | Decal-Cover, Missing | 6 | 126-9573 | 1 | Decal-Belt 60 Side |
| 4 | 116-8283 | 1 | Decal-Bolt Torque | | | | |

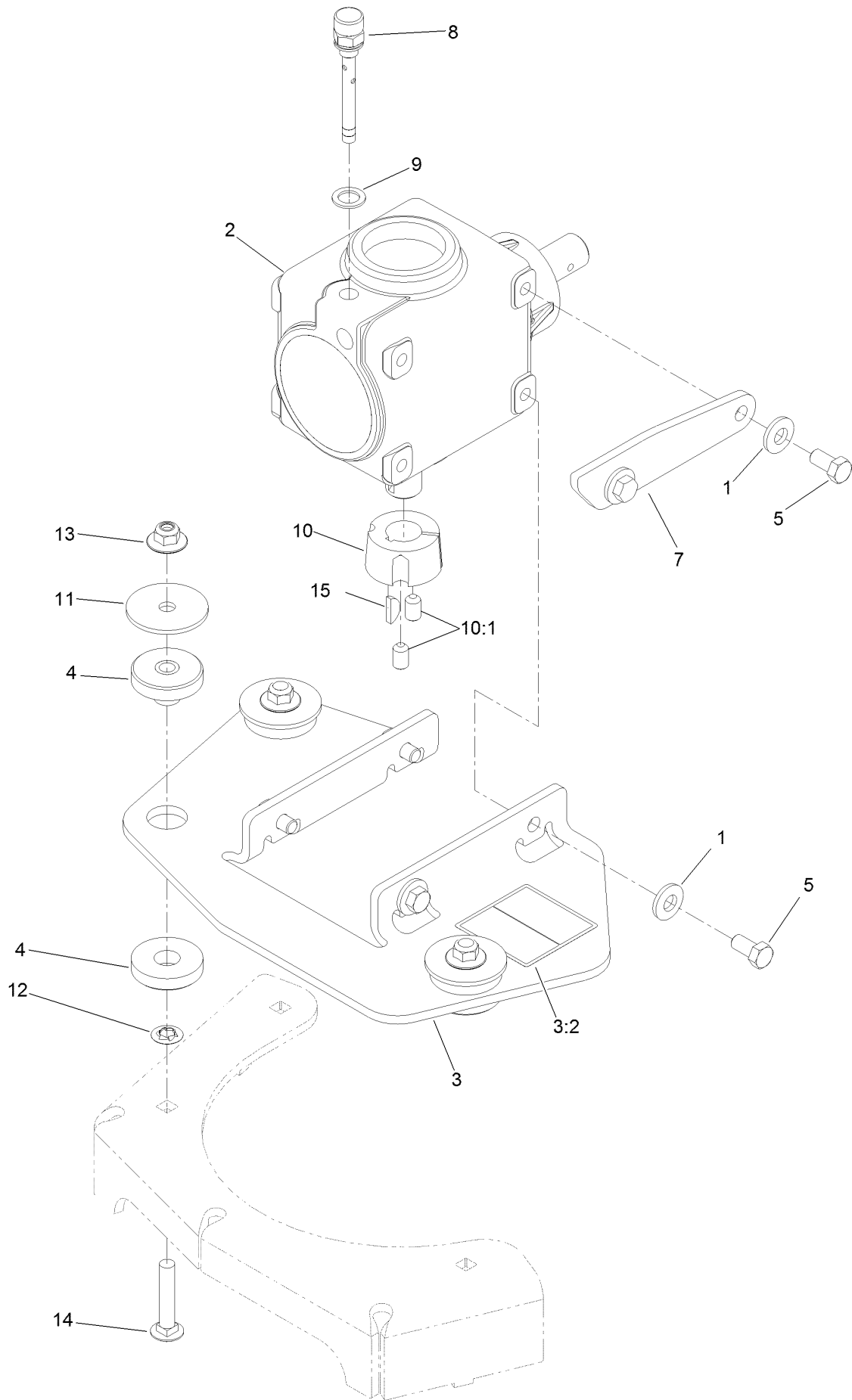
Idler Arm Assembly



Idler Arm Assembly (continued)

| <i>Ref.</i> | <i>Part Number</i> | <i>Qty.</i> | <i>Description</i> | <i>Ref.</i> | <i>Part Number</i> | <i>Qty.</i> | <i>Description</i> |
|-------------|--------------------|-------------|--------------------|-------------|--------------------|-------------|--------------------|
| 1 | 103-3504 | 2 | Bearing-Spherical | 5 | 106-7159 | 2 | O-Ring |
| 2 | 103-3505 | 1 | Seal-Lip, Double | 7 | 32120-10 | 2 | Ring-Snap |
| 3 | 103-3506 | 1 | Seal-Lip, Single | | | | |

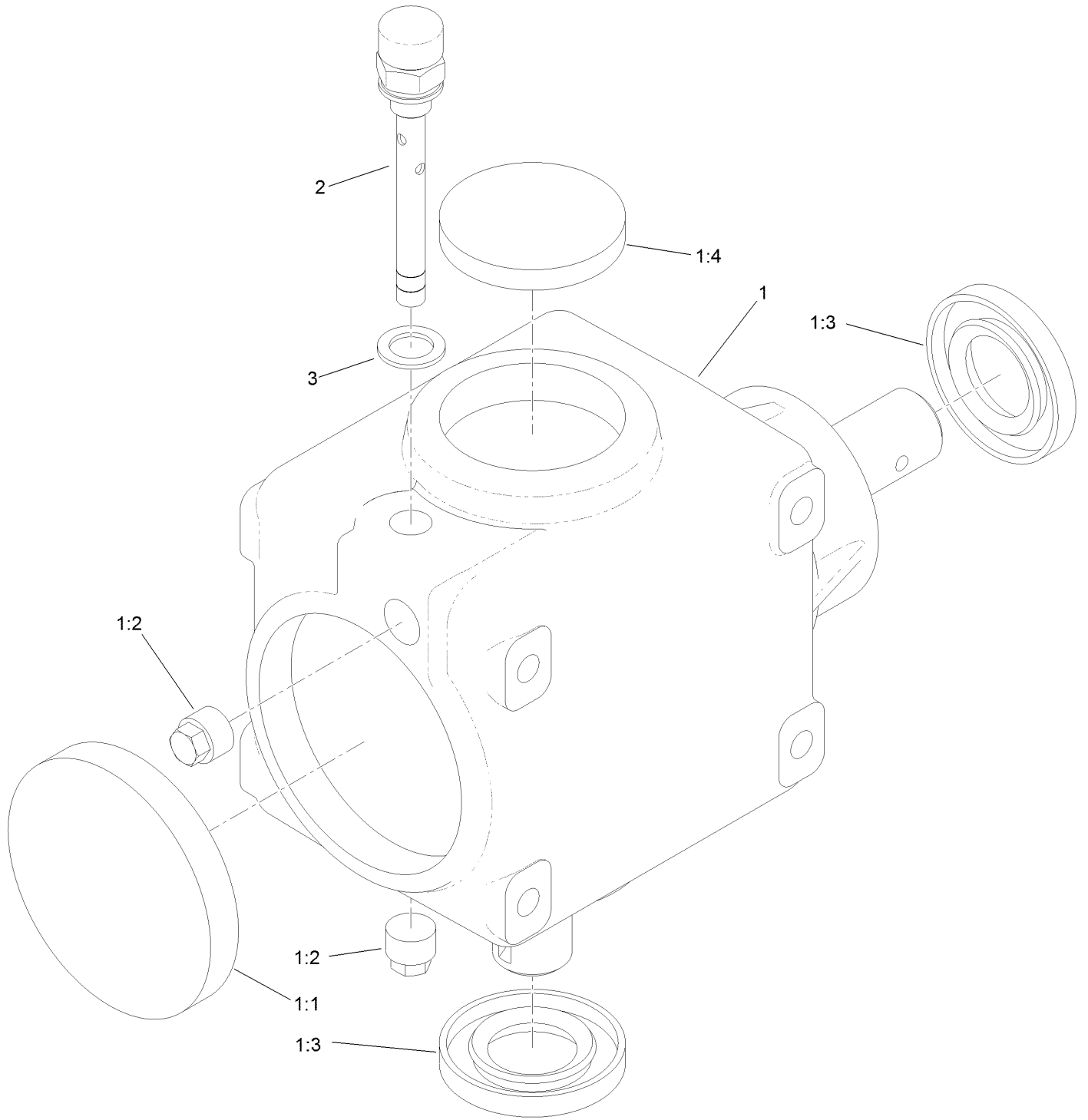
Gearbox and Mount Assembly



Gearbox and Mount Assembly (continued)

| <i>Ref.</i> | <i>Part Number</i> | <i>Qty.</i> | <i>Description</i> | <i>Ref.</i> | <i>Part Number</i> | <i>Qty.</i> | <i>Description</i> |
|-------------|--------------------|-------------|-------------------------------|-------------|--------------------|-------------|--------------------|
| 1 | 98-5975 | 6 | Washer-Belleville | 9 | 130-4899 | 1 | Washer |
| 2 | 130-8659 | 1 | Gearbox ASM | 10 | 23-1640 | 1 | Bushing-Taperlock |
| 3 | 135-0874 | 1 | Mount-Gearbox | 10:1 | 3247-4 | 2 | Screw-Set |
| 3:2 | 135-0679 | 1 | Decal-Hazard, Entanglement | 11 | 83-1040 | 3 | Washer-Flat |
| 4 | 126-3074 | 3 | Mount-ISO | 12 | 107-3154 | 3 | Nut-Push |
| 5 | 323-4 | 6 | Screw-HH | 13 | 109-6658 | 3 | Nut-Flange, NI |
| 7 | 126-3544 | 1 | Stop-Gearbox | 14 | 3231-6 | 3 | Screw-CARR |
| 8 | 130-8661 | 1 | Plug-Breather | 15 | 3257-5 | 1 | Key-Woodruff |

Gearbox Assembly (cont.)

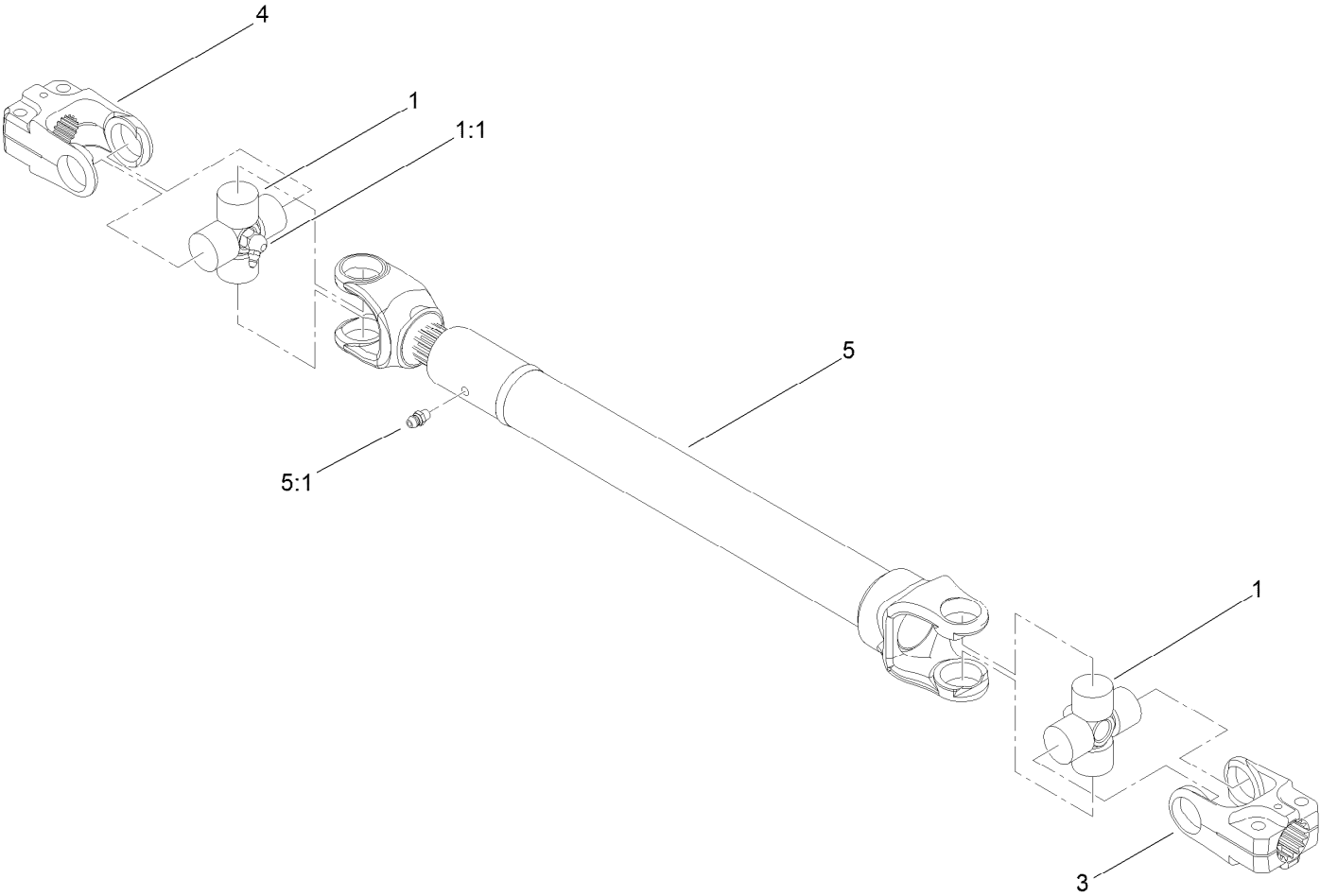


Gearbox Assembly (cont.) (continued)

| <i>Ref.</i> | <i>Part Number</i> | <i>Qty.</i> | <i>Description</i> | <i>Ref.</i> | <i>Part Number</i> | <i>Qty.</i> | <i>Description</i> |
|-------------|--------------------|-------------|--------------------|-------------|--------------------|-------------|--------------------|
| 1 | | 1 | Gearbox ASM ● | 1:4 | 107-2935 | 1 | Cap-Oil |
| 1:1 | 107-2932 | 1 | Cap-Oil | 2 | 130-8661 | 1 | Plug-Breather |
| 1:2 | 107-2933 | 2 | Plug | 3 | 130-4899 | 1 | Washer |
| 1:3 | 117-9247 | 2 | Seal | | | | |

● Not serviced separately

Driveshaft Assembly

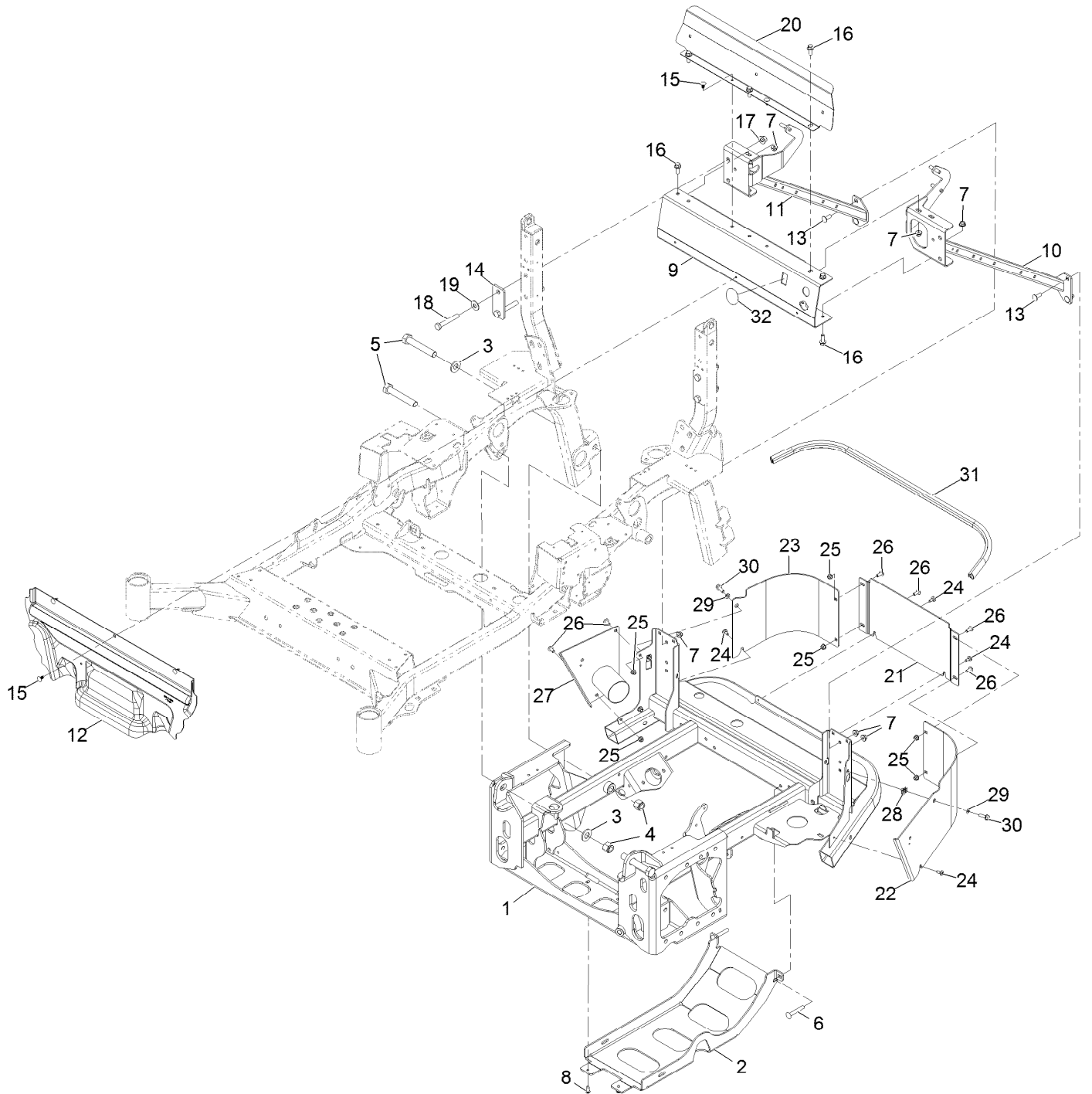


Driveshaft Assembly (continued)

| <i>Ref.</i> | <i>Part Number</i> | <i>Qty.</i> | <i>Description</i> | <i>Ref.</i> | <i>Part Number</i> | <i>Qty.</i> | <i>Description</i> |
|-------------|--------------------|-------------|-----------------------|-------------|--------------------|-------------|--------------------|
| 1 | 112-1687 | 2 | Cross And Bearing Kit | 4 | 54-9090 | 1 | Yoke-End |
| 1:1 | 62-3820 | 1 | Fitting-Grease | 5 | | 1 | Tube-Yoke, Slip ● |
| 3 | 54-9040 | 1 | Yoke-End | 5:1 | 302-22 | 1 | Fitting-Grease |

● Not serviced separately

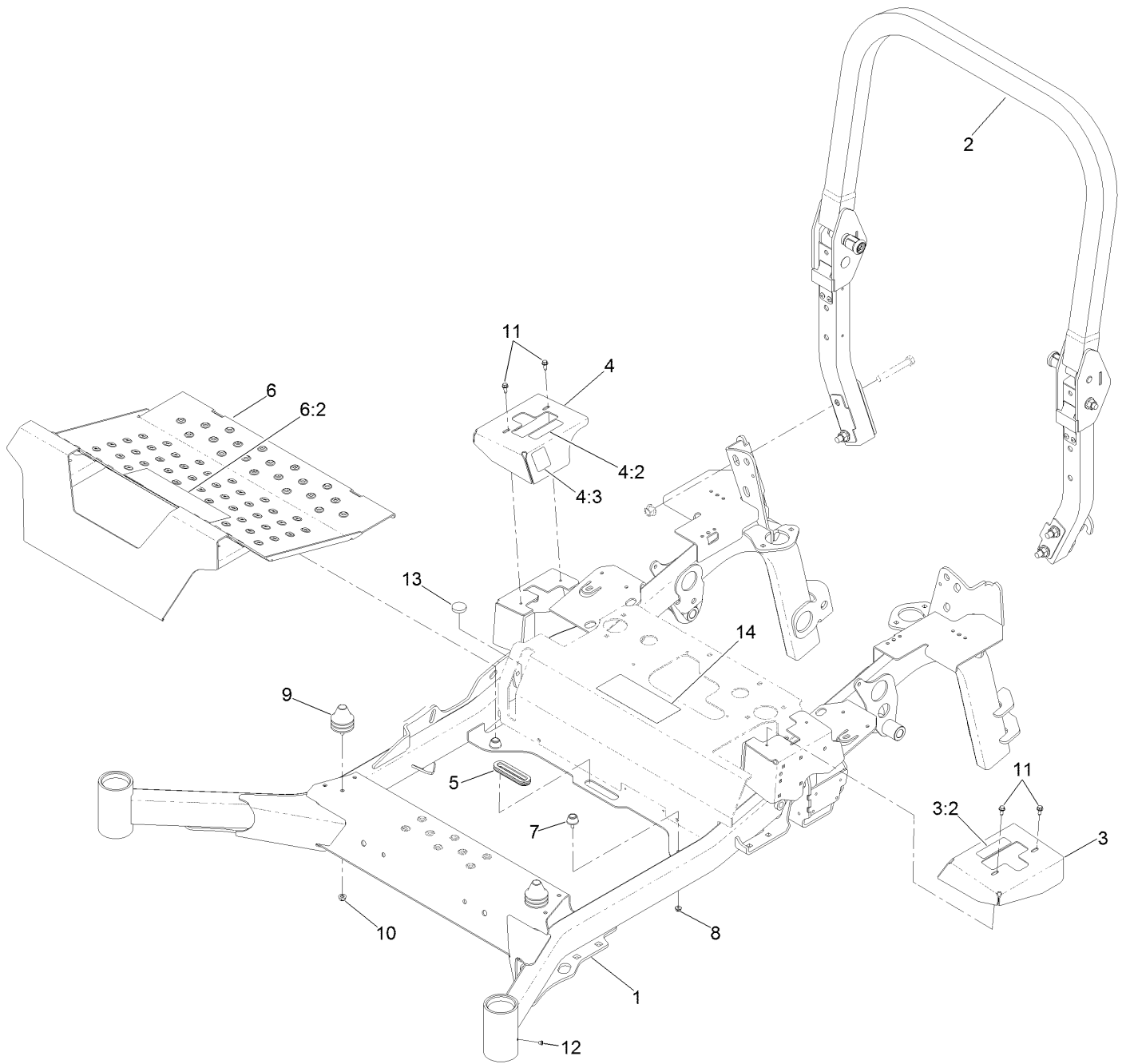
Power Frame Assembly



Power Frame Assembly (continued)

| <i>Ref.</i> | <i>Part Number</i> | <i>Qty.</i> | <i>Description</i> | <i>Ref.</i> | <i>Part Number</i> | <i>Qty.</i> | <i>Description</i> |
|-------------|--------------------|-------------|-------------------------------------|-------------|--------------------|-------------|--|
| 1 | 126-5929-03 | 1 | Frame-Power | 18 | 112-7264 | 4 | Screw-HH |
| 2 | 126-5922-03 | 1 | Plate-Skid | 19 | 109-9505 | 4 | Washer, Spring Disc 1/2 |
| 3 | 103-2802 | 4 | Washer-Spring Disc 3/4 | 20 | 126-6557-03 | 1 | Shield-Air |
| 4 | 3296-51 | 4 | Nut-Nyloc 3/4-10 | 21 | 126-8954-03 | 1 | Plate-Bumper, Center |
| 5 | 328-8 | 4 | Screw-HH | 22 | 126-8952-03 | 1 | Plate-Bumper, LH |
| 6 | 3231-44 | 2 | Bolt-Carriage 3/8-16 X 2 1/2 | 23 | 126-8953-03 | 1 | Plate-Bumper, RH |
| 7 | 104-8301 | 13 | Nut-Nyloc 3/8-16 Flg | 24 | 120-7950 | 4 | Screw-1/4-20 X 1/2 Tf Torx Plus |
| 8 | 613381 | 2 | Screw-Button Head 5/16-18 X .725 Tf | 25 | 104-8300 | 7 | Nut-Nyloc 5/16-18 Flg |
| 9 | 126-8567-03 | 1 | Channel-Cross | 26 | 126-6268 | 7 | Screw-Truss HD 5/16-18 X 3/4 Torx Plus |
| 10 | 126-8563-03 | 1 | Brace-ROPS, LH | 27 | 135-0880 | 1 | Plate-Exhaust |
| 11 | 126-8565-03 | 1 | Brace-ROPS, RH | 28 | 112-3306 | 2 | Nut |
| 12 | 126-7458 | 1 | Panel-Deflector, Heat | 29 | 3290-475 | 2 | Washer-Belleville |
| 13 | 3231-22 | 4 | Bolt-Carriage 3/8-16 X 1 | 30 | 3234-29 | 2 | Screw-HH Flg 5/16-18 X 1 |
| 14 | 135-0412-03 | 2 | Plate-Spacer | 31 | 126-6845 | 1 | Seal-Bulb |
| 15 | 117-2382 | 5 | Plug-Plastic | 32 | 135-3728 | 1 | Decal-Cover |
| 16 | 131-2220 | 7 | Screw-HHF | | | | |
| 17 | 99-5107 | 4 | Nut-Lock 1/2-13 | | | | |

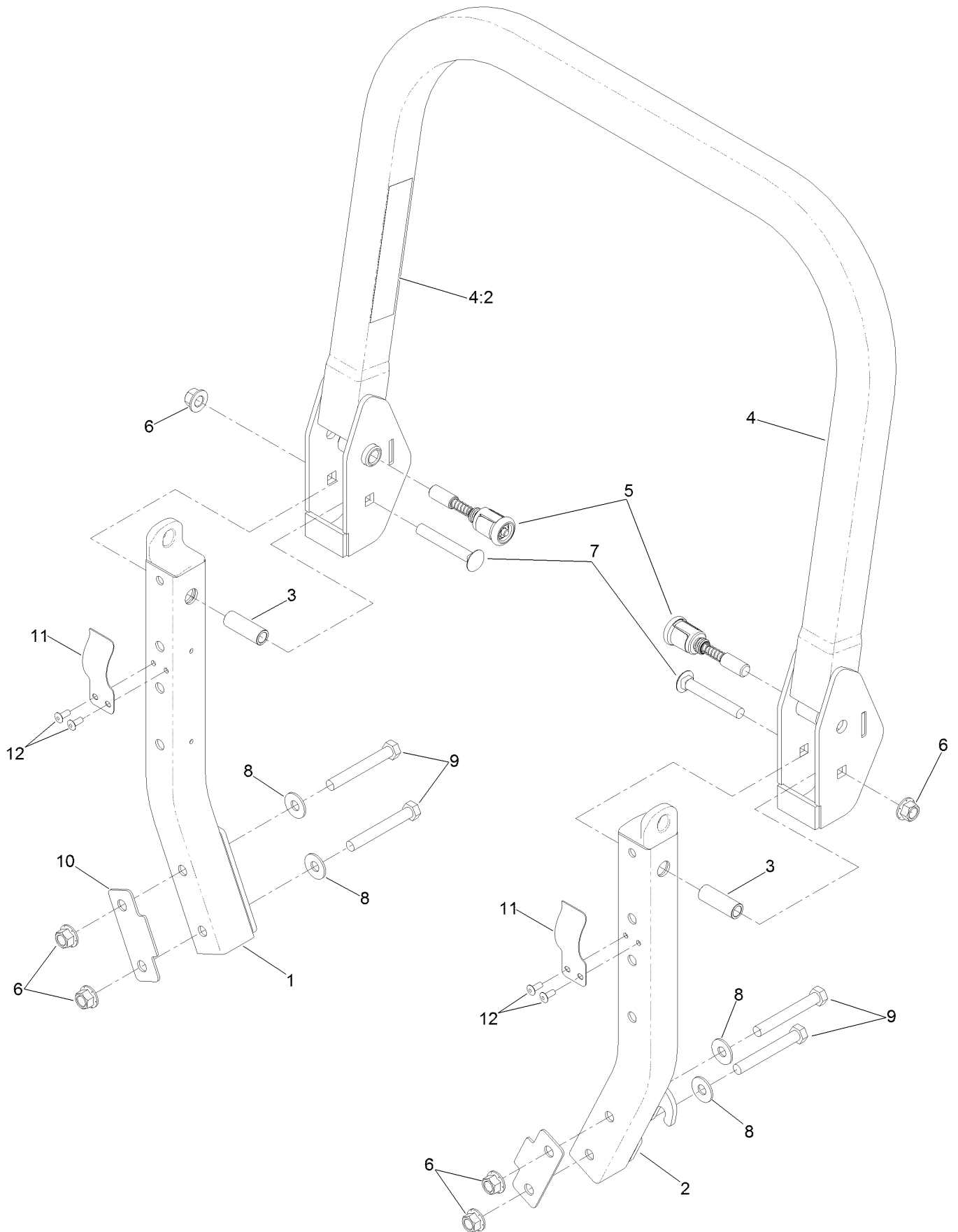
Frame Assembly



Frame Assembly (continued)

| <i>Ref.</i> | <i>Part Number</i> | <i>Qty.</i> | <i>Description</i> | <i>Ref.</i> | <i>Part Number</i> | <i>Qty.</i> | <i>Description</i> |
|-------------|--------------------|-------------|--------------------------|-------------|--------------------|-------------|------------------------|
| 1 | 126-0569-01 | 1 | Frame | 6:2 | 126-8383 | 1 | Decal-Danger |
| 2 | 135-5786 | 1 | ROPS ASM | 7 | 109-2365 | 2 | Bumper-Rubber |
| 3 | 126-1821 | 1 | Cover-Motion Control, LH | 8 | 104-7201 | 2 | Nut-HF |
| 3:2 | 99-8936 | 1 | Decal-Control, Motion | 9 | 126-5491 | 2 | Isolator |
| 4 | 126-1831 | 1 | Cover-Motion Control, RH | 10 | 104-8300 | 2 | Nut-HF, NI |
| 4:2 | 99-8936 | 1 | Decal-Control, Motion | 11 | 32144-10 | 4 | Screw-HWH |
| 4:3 | 116-5988 | 1 | Decal-Park Brake, CE | 12 | 1-811010 | 2 | Plug |
| 5 | 126-7065 | 1 | Grommet-Rubber | 13 | 109-9233 | 1 | Bumper-Push-In, Rubber |
| 6 | 126-9066 | 1 | Pan-Floor | 14 | 126-9279 | 1 | Decal-Service Aid |

Roll-Over Protection System Assembly

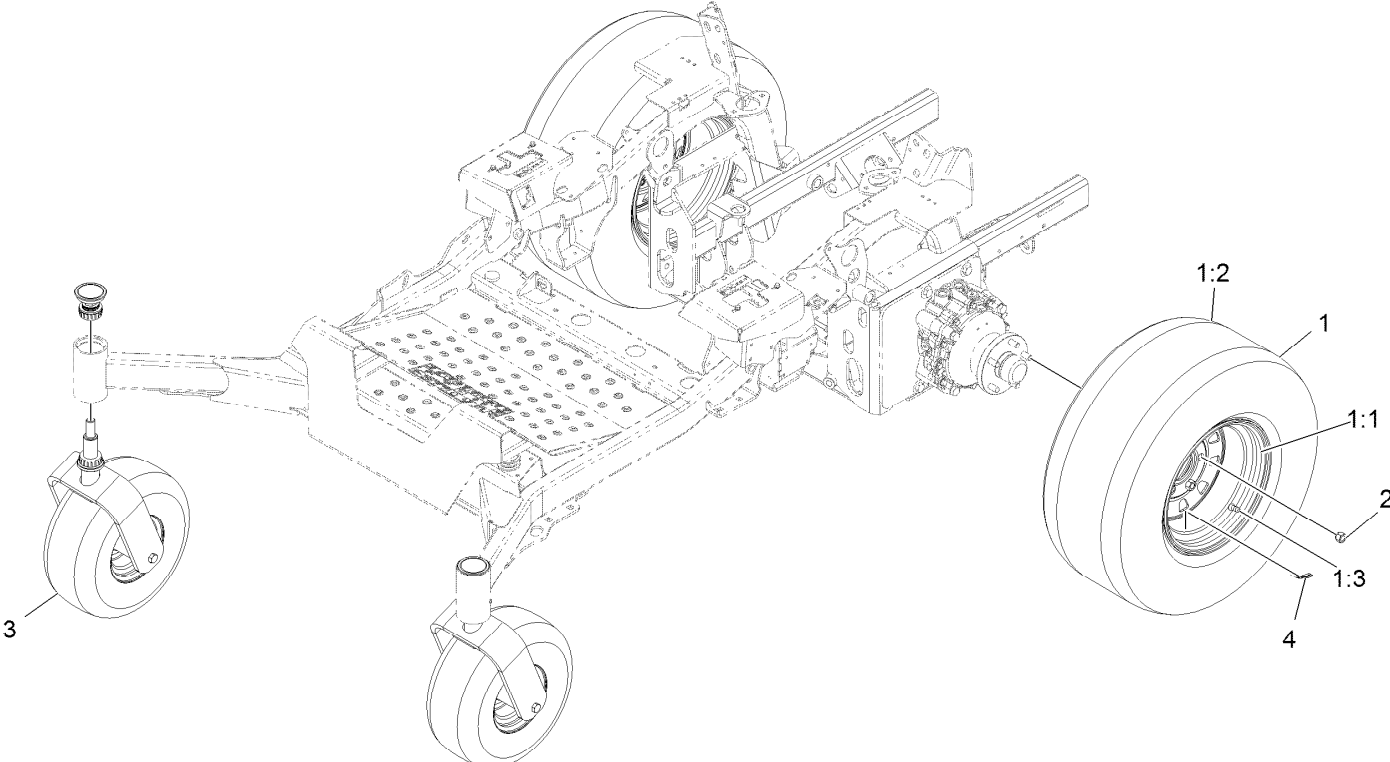


Roll-Over Protection System Assembly (continued)

| <i>Ref.</i> | <i>Part Number</i> | <i>Qty.</i> | <i>Description</i> | <i>Ref.</i> | <i>Part Number</i> | <i>Qty.</i> | <i>Description</i> |
|-------------|--------------------|-------------|--------------------|-------------|--------------------|-------------|------------------------------|
| 1 | | 1 | Lower-ROPS, RH ● | 7 | 3233-10 | 2 | Bolt-Carriage 1/2-13 X 3 1/2 |
| 2 | | 1 | Lower-ROPS, LH ● | 8 | 109-9505 | 4 | Washer, Spring Disc 1/2 |
| 3 | 109-6653 | 2 | Spacer | 9 | 325-35 | 4 | Screw-HH |
| 4 | 126-7085 | 1 | ROPS Upper ASM | 10 | 116-0960 | 2 | Spacer |
| 4:2 | 107-3069 | 1 | Decal-Warning | 11 | 110-5696 | 2 | Spring-Leaf |
| 5 | 116-0104 | 2 | Pin-Spring | 12 | 3290-412 | 4 | Rivet-Blind |
| 6 | 99-5107 | 6 | Nut-Lock 1/2-13 | | | | |

● Not serviced separately

Rear Wheel Assembly

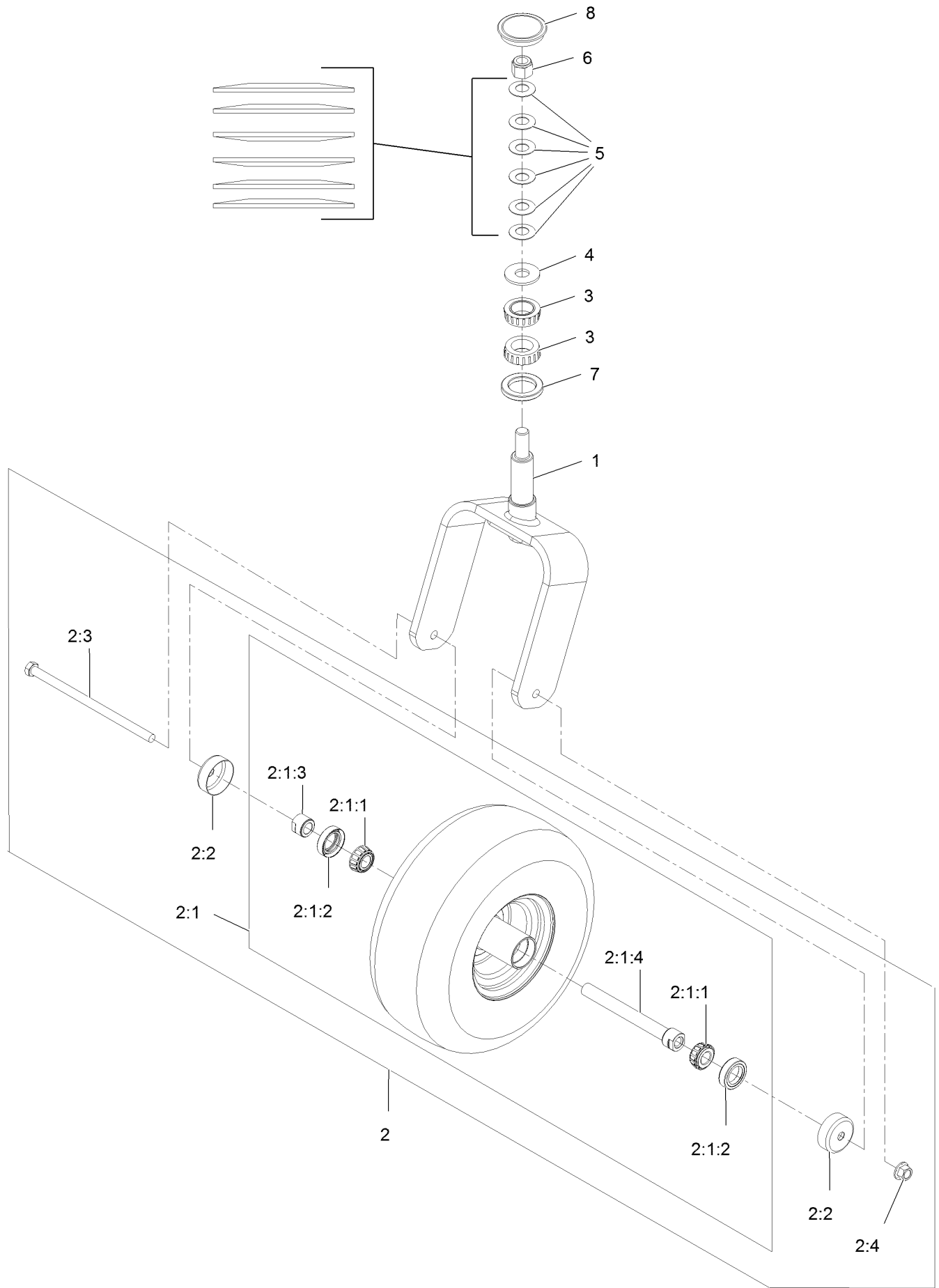


Rear Wheel Assembly (continued)

| <i>Ref.</i> | <i>Part Number</i> | <i>Qty.</i> | <i>Description</i> | <i>Ref.</i> | <i>Part Number</i> | <i>Qty.</i> | <i>Description</i> |
|-------------|--------------------|-------------|---------------------|-------------|--------------------|-------------|-------------------------|
| 1 | 126-3138 | 2 | ASM-Tire 26 X 12-12 | 2 | 242-50 | 10 | Nut-Lug 1/2-20 |
| 1:1 | 126-8193 | 1 | Rim ASM | 3 | | 2 | ASM, Wheel Caster ● |
| 1:2 | 126-8033 | 1 | Tire | 4 | 135-0328 | 2 | Decal-Torque, Wheel Nut |
| 1:3 | 232-27 | 1 | Stem-Valve | | | | |

● Not serviced separately

Caster Wheel and Fork Assembly

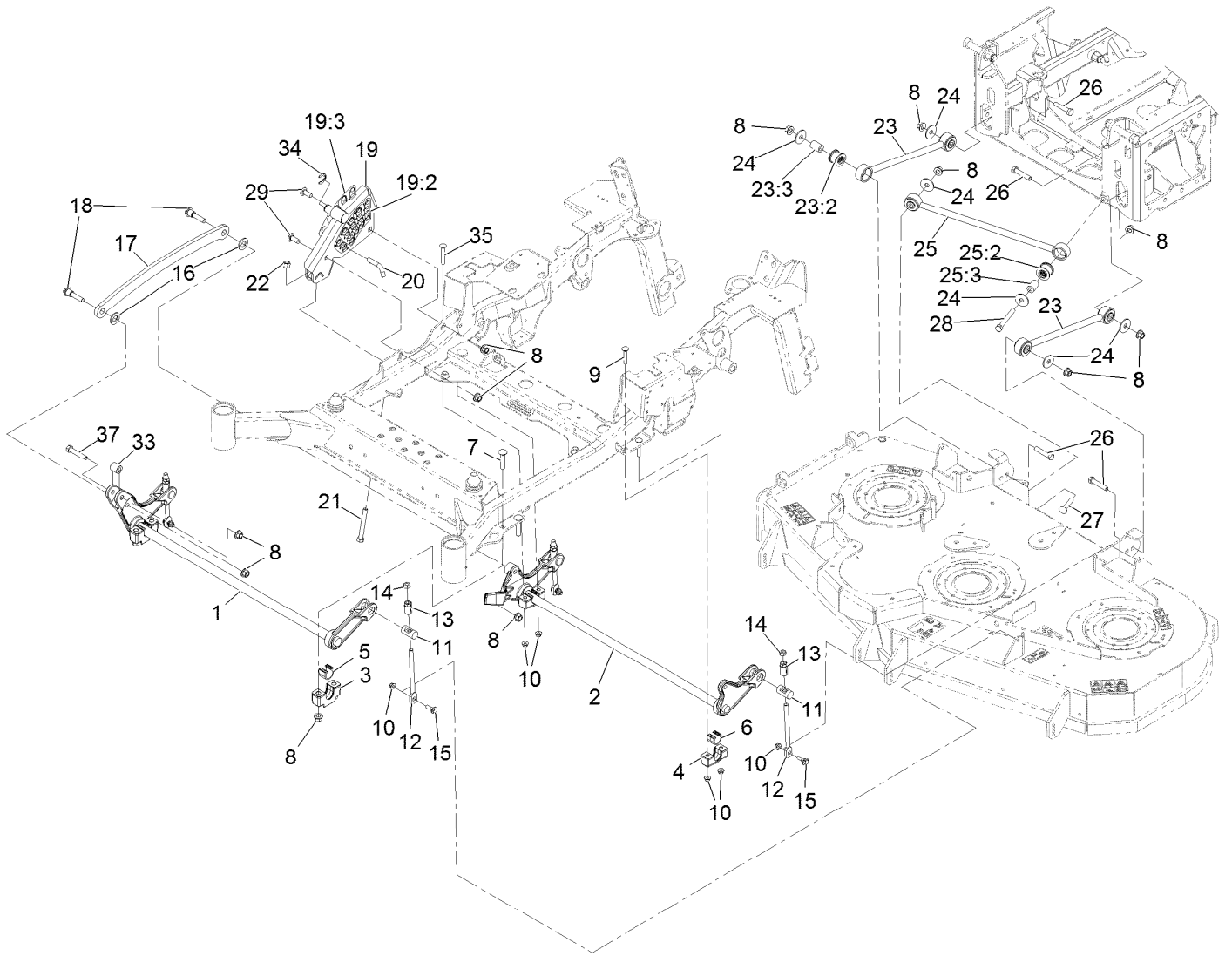


Caster Wheel and Fork Assembly (continued)

| <i>Ref.</i> | <i>Part Number</i> | <i>Qty.</i> | <i>Description</i> | <i>Ref.</i> | <i>Part Number</i> | <i>Qty.</i> | <i>Description</i> |
|-------------|--------------------|-------------|-----------------------------|-------------|--------------------|-------------|---------------------------|
| 1 | 126-8601-01 | 1 | Fork-Caster | 2:3 | 325-39 | 1 | Screw-HH 1/2-13 X 9 1/2 |
| 2 | 126-8157 | 1 | ASM-Whl And Tire | 2:4 | 99-5107 | 1 | Nut-Lock 1/2-13 |
| 2:1 | | 1 | ASM-Whl And Tire ● | 3 | 103-9028 | 2 | Cone-Bearing Taper Roller |
| 2:1:1 | 1-633585 | 2 | Bearing-Cone Tapered Roller | 4 | 3256-8 | 1 | Washer |
| 2:1:2 | 103-0063 | 2 | Seal-Double Lip | 5 | 1-633508 | 6 | Washer-Spring Disc |
| 2:1:3 | 103-3051 | 1 | Spacer-Nut | 6 | 3296-51 | 1 | Nut-Nyloc 3/4-10 |
| 2:1:4 | 126-5361 | 1 | Axle Caster ASM | 7 | 135-0355 | 1 | Seal-Grease |
| 2:2 | 103-2768 | 2 | Guard-Seal | 8 | 126-9369 | 1 | Cap-Grease |

● Not serviced separately

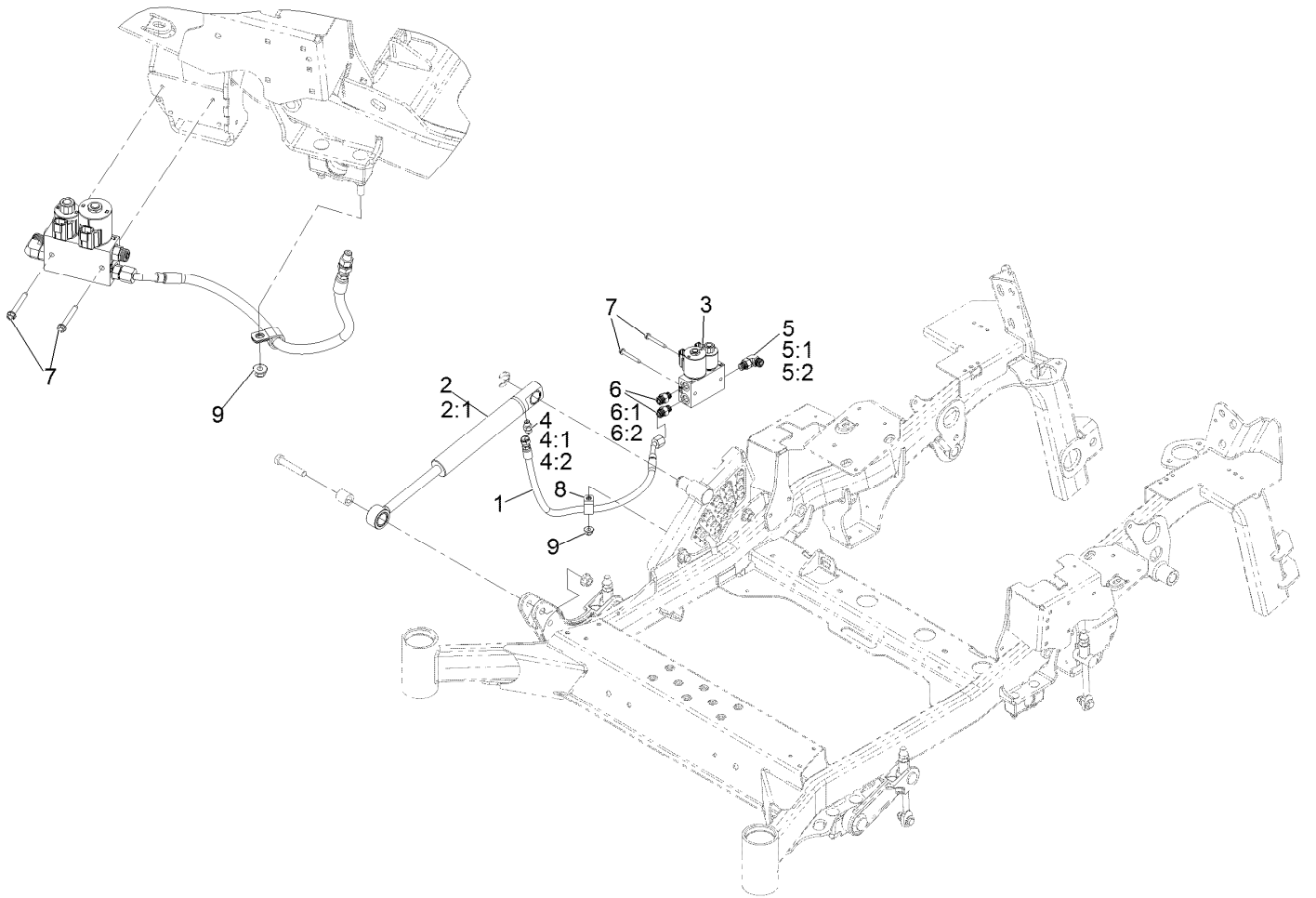
Deck Lift Assembly



Deck Lift Assembly (continued)

| <i>Ref.</i> | <i>Part Number</i> | <i>Qty.</i> | <i>Description</i> | <i>Ref.</i> | <i>Part Number</i> | <i>Qty.</i> | <i>Description</i> |
|-------------|--------------------|-------------|---------------------------------------|-------------|--------------------|-------------|------------------------------|
| 1 | 135-1216-03 | 1 | Lift-Deck, Front | 19 | 126-7866 | 1 | HOC ASM |
| 2 | 116-2645-03 | 1 | Lift-Deck, Rear | 19:2 | 126-9275 | 1 | Decal-HOC |
| 3 | 109-9409 | 2 | Support-Bearing, Cross Shaft (Front) | 19:3 | 135-1432 | 1 | Decal-HOC, Outer |
| 4 | 127-0553 | 2 | Support-Bearing, Cross Shaft (Rear) | 20 | 116-5584 | 1 | Pin-HOC |
| 5 | 109-9410 | 2 | Bearing-Cross Shaft, Front | 21 | 116-0559 | 1 | Bolt-HH 1/2-13 X 4 Tap |
| 6 | 109-7173 | 2 | Bearing-Cross Shaft, Rear | 22 | 3296-23 | 1 | Nut-Nyloc 1/2-13 |
| 7 | 116-1700 | 4 | Bolt-Carriage 1/2-13 X 2 1/2 Spl Neck | 23 | 109-7952 | 2 | Deck Strut ASM |
| 8 | 99-5107 | 15 | Nut-Lock 1/2-13 | 23:2 | 109-5009 | 2 | Bushing-Suspension, Rubber |
| 9 | 3231-7 | 3 | Bolt-Carriage 3/8-16 X 2 1/4 | 23:3 | 109-5010 | 2 | Spacer |
| 10 | 104-8301 | 8 | Nut-Nyloc 3/8-16 Flg | 24 | 86-1990 | 6 | Washer |
| 11 | 109-8353 | 4 | Trunnion | 25 | 109-5013 | 1 | Panhard Rod ASM |
| 12 | 109-8007 | 4 | Link-Adjuster, Deck Lift | 25:2 | 109-5009 | 2 | Bushing-Suspension, Rubber |
| 13 | 109-7840 | 4 | Adjuster-Lift, Deck | 25:3 | 109-5010 | 2 | Spacer |
| 14 | 3218-5 | 4 | Nut-Jam 1/2-13 | 26 | 325-10 | 4 | Screw-HH 1/2-13 X 2 1/2 |
| 15 | 109-9840 | 4 | Screw-Hex Flange 3/8-16 X .80 | 27 | 3233-34 | 1 | Bolt-Carriage 1/2-13 X 2 1/2 |
| 16 | 3256-28 | 2 | Washer-3/4 SAE | 28 | 325-17 | 1 | Screw-HH 1/2-13 X 4 |
| 17 | 116-0797-03 | 1 | Link-Lift, Deck | 29 | 3233-26 | 2 | Screw-CARR, Short Neck |
| 18 | 116-2022 | 2 | Screw-Hex Flange 1/2-13 X 1.90 | 33 | 135-1215 | 1 | Spacer-Pivot |
| | | | | 34 | 32151-91 | 1 | Ring-Retaining |
| | | | | 35 | 3231-9 | 1 | Bolt-Carriage 3/8-16 X 2 3/4 |
| | | | | 37 | 325-11 | 1 | Screw-HH 1/2-13 X 2 3/4 |

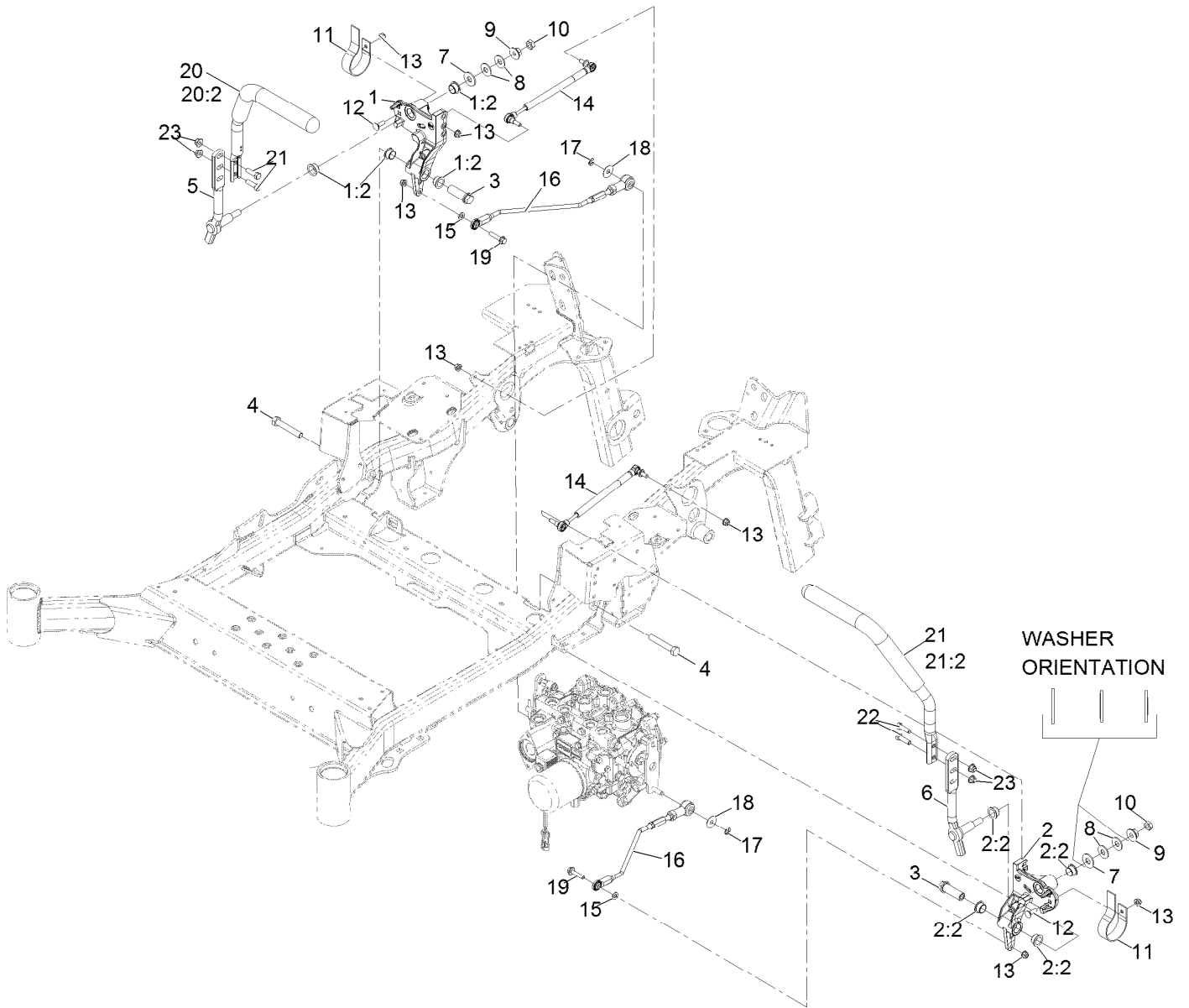
Hydraulic Lift Fold Assembly



Hydraulic Lift Fold Assembly (continued)

| <i>Ref.</i> | <i>Part Number</i> | <i>Qty.</i> | <i>Description</i> | <i>Ref.</i> | <i>Part Number</i> | <i>Qty.</i> | <i>Description</i> |
|-------------|--------------------|-------------|-----------------------|-------------|--------------------|-------------|----------------------|
| 1 | 126-8683 | 1 | Hose ASM | 5:1 | 237-22 | 1 | O-Ring |
| 2 | 126-7841 | 1 | Lift Cylinder ASM | 5:2 | 237-42 | 1 | O-Ring |
| 2:1 | 142-2767 | 1 | CYL Repair Kit | 6 | 340-2 | 2 | Fitting-Straight |
| 3 | 131-1934 | 1 | Deck Lift Valve ASM | 6:1 | 237-22 | 1 | O-Ring |
| 4 | 126-8692 | 1 | Fitting-HYD, Straight | 6:2 | 237-42 | 1 | O-Ring |
| 4:1 | 237-78 | 1 | O-Ring | 7 | 117-5248 | 2 | Screw-HWHTF |
| 4:2 | 237-21 | 1 | O-Ring | 8 | 1-633396 | 1 | Clip-Loom 5/8 |
| 5 | 340-77 | 1 | Fitting-Elbow, 90 DEG | 9 | 104-8301 | 1 | Nut-Nyloc 3/8-16 Flg |

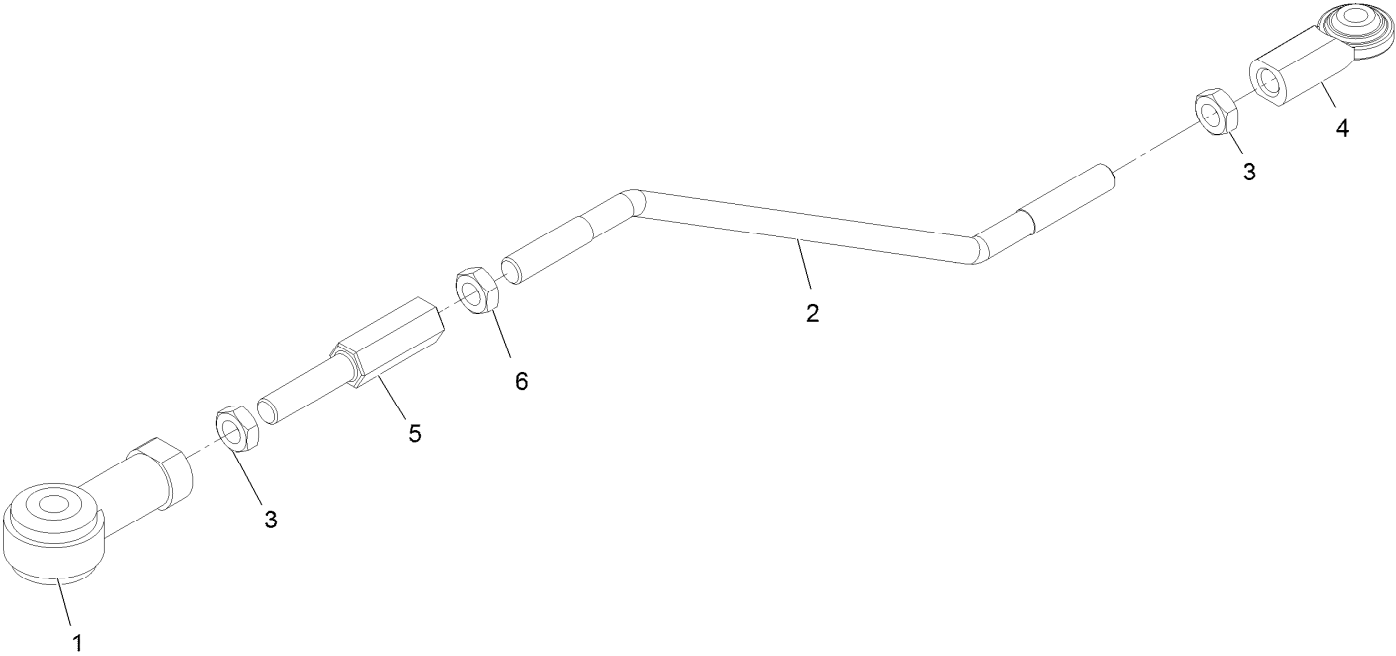
Motion Control Assembly



Motion Control Assembly (continued)

| <i>Ref.</i> | <i>Part Number</i> | <i>Qty.</i> | <i>Description</i> | <i>Ref.</i> | <i>Part Number</i> | <i>Qty.</i> | <i>Description</i> |
|-------------|--------------------|-------------|-----------------------------------|-------------|--------------------|-------------|----------------------------------|
| 1 | 116-0880 | 1 | RH Motion Control And Bushing ASM | 12 | 3230-2 | 2 | Bolt-Carriage 5/16-18 X 1 |
| 1:2 | 109-8054 | 4 | Bushing-Flanged | 13 | 104-8300 | 8 | Nut-Nyloc 5/16-18 Flg |
| 2 | 116-0881 | 1 | LH Motion Control And Bushing ASM | 14 | 116-0027 | 2 | Damper-Control, Motion |
| 2:2 | 109-8054 | 4 | Bushing-Flanged | 15 | 3256-23 | 2 | Washer-5/16 SAE |
| 3 | 109-5891 | 2 | Hub-Threaded | 16 | 126-6131 | 2 | Front Linkage Rod ASM |
| 4 | 325-12 | 2 | Screw-HH 1/2-13 X 3 | 17 | 32151-47 | 2 | Ring-Retaining |
| 5 | 116-0039 | 1 | Lever-Control Motion, RH | 18 | 105-6814 | 2 | Washer-Plain |
| 6 | 116-0040 | 1 | Lever-Control Motion, LH | 19 | 115-1794 | 2 | Screw-Hex Flange 5/16-18 X 1 1/2 |
| 7 | 3256-6 | 2 | Washer | 20 | 126-7700 | 1 | RH Steering Handle ASM |
| 8 | 109-9505 | 4 | Washer, Spring Disc 1/2 | 20:2 | 109-5668 | 1 | Grip-Lever, Control |
| 9 | 32128-56 | 2 | Nut-Hex 1/2-13 Flange | 21 | 126-7699 | 1 | LH Steering Handle ASM |
| 10 | 3218-5 | 2 | Nut-Jam 1/2-13 | 21:2 | 109-5668 | 1 | Grip-Lever, Control |
| 11 | 109-5575 | 2 | Spring-Leaf | 22 | 323-7 | 4 | Screw-HH 3/8-16 X 1 1/4 |
| | | | | 23 | 104-8301 | 4 | Nut-Nyloc 3/8-16 Flg |

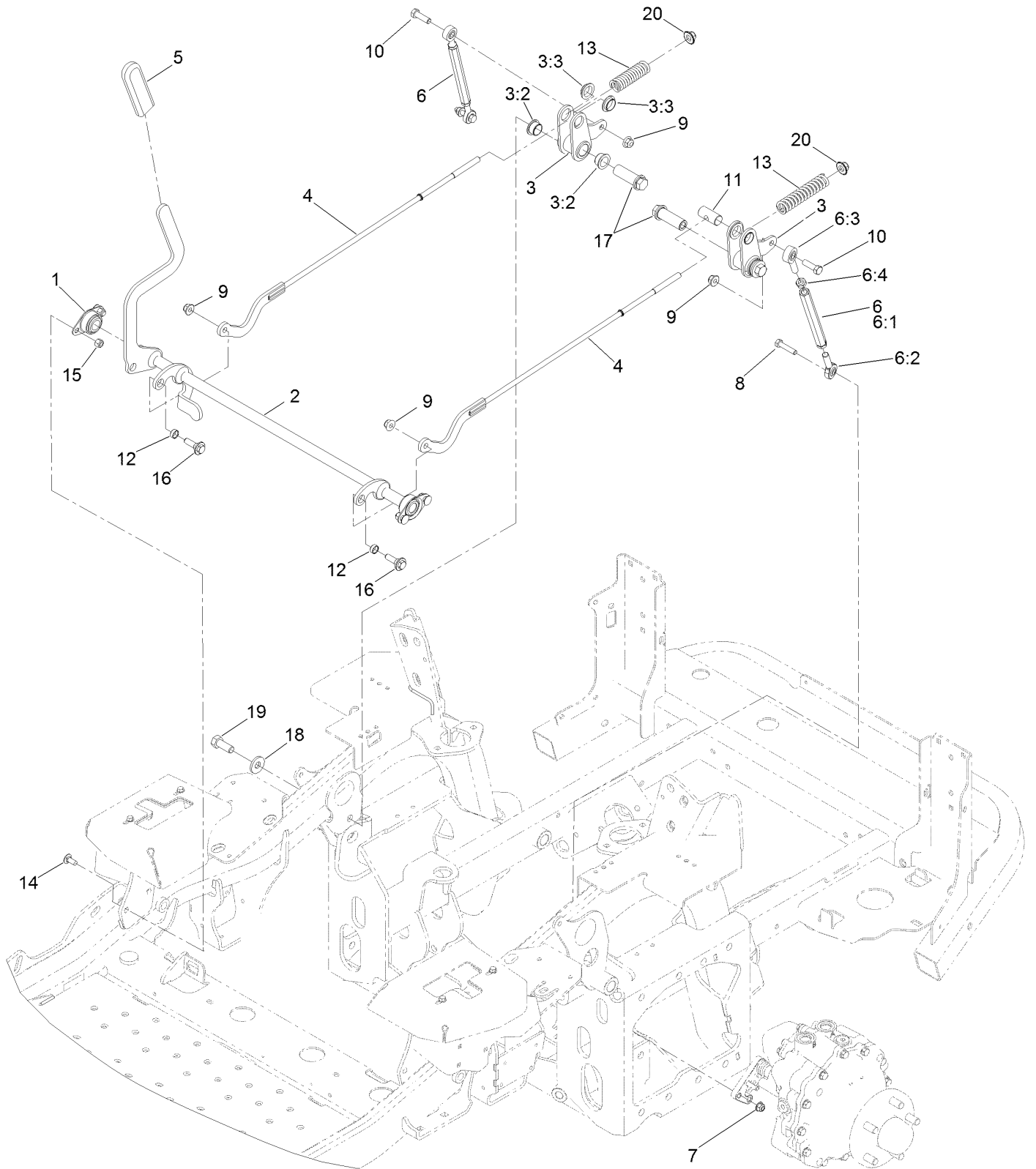
Rod Linkage Assembly



Rod Linkage Assembly (continued)

| <i>Ref.</i> | <i>Part Number</i> | <i>Qty.</i> | <i>Description</i> | <i>Ref.</i> | <i>Part Number</i> | <i>Qty.</i> | <i>Description</i> |
|-------------|--------------------|-------------|--------------------|-------------|--------------------|-------------|--------------------|
| 1 | 105-7199 | 1 | End-Rod, Isolated | 4 | 103-2463 | 1 | Balljoint |
| 2 | 126-6469 | 1 | Rod-Linkage, Rear | 5 | 116-4755 | 1 | Rod-Adjustment |
| 3 | 3220-3 | 2 | Nut-Jam 3/8-24 | 6 | 3220-16 | 1 | Nut-Jam 3/8-24 LH |

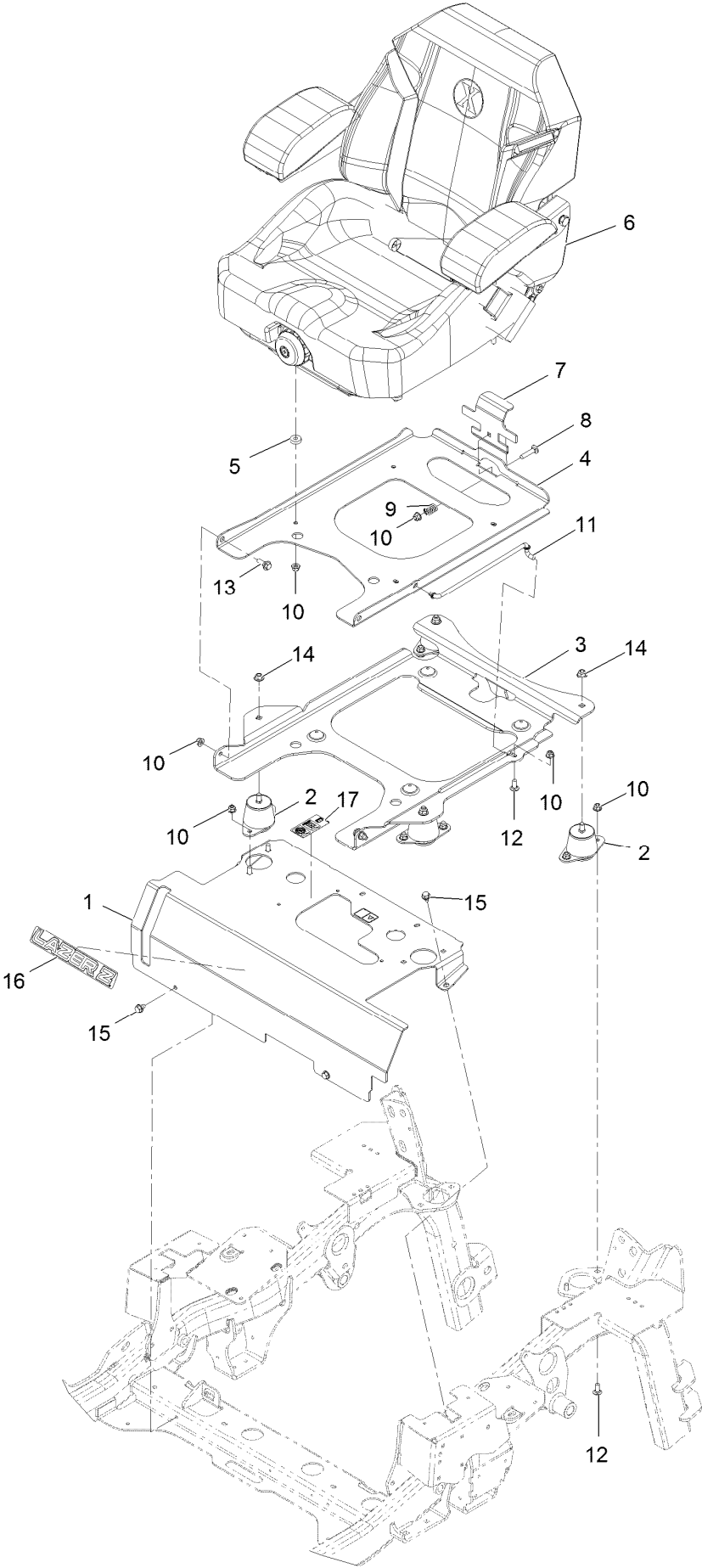
Parking Brake Assembly



Parking Brake Assembly (continued)

| <i>Ref.</i> | <i>Part Number</i> | <i>Qty.</i> | <i>Description</i> | <i>Ref.</i> | <i>Part Number</i> | <i>Qty.</i> | <i>Description</i> |
|-------------|--------------------|-------------|----------------------|-------------|--------------------|-------------|---------------------|
| 1 | 1-633102 | 2 | Bearing-Flange, Side | 8 | 322-7 | 2 | Screw-HH |
| 2 | 126-2019 | 1 | Shaft-Brake | 9 | 104-8301 | 4 | Nut-HF, NI |
| 3 | 126-3010 | 2 | Brake Bellcrank ASM | 10 | 323-7 | 2 | Screw-HH |
| 3:2 | 109-8054 | 2 | Bushing-Flange | 11 | 1-633144 | 2 | Pin-Trunion |
| 3:3 | 135-2840 | 2 | Bushing-Flange | 12 | 133-5109 | 2 | Bearing-Sleeve |
| 4 | 126-3193 | 2 | Link-Brake, Upper | 13 | 109-2230 | 2 | Spring-Compression |
| 5 | 1-633268 | 1 | Grip-Lever | 14 | 3230-23 | 4 | Screw-CARR |
| 6 | 126-9171 | 2 | Turnbuckle ASM | 15 | 3296-29 | 4 | Nut-Lock, NI |
| 6:1 | 126-9172 | 1 | Turnbuckle | 16 | 614672 | 2 | Screw-Shoulder, HWH |
| 6:2 | 126-9302 | 1 | Bearing-End, LH Rod | 17 | 109-5891 | 2 | Hub-Threaded |
| 6:3 | 1-613204 | 1 | Balljoint | 18 | 1-513435 | 2 | Washer-Spring |
| 6:4 | 3220-3 | 1 | Nut-HJ | 19 | 325-5 | 2 | Screw-HH |
| 7 | 104-8300 | 2 | Nut-HF, NI | 20 | 109-6658 | 2 | Nut-Flange, NI |

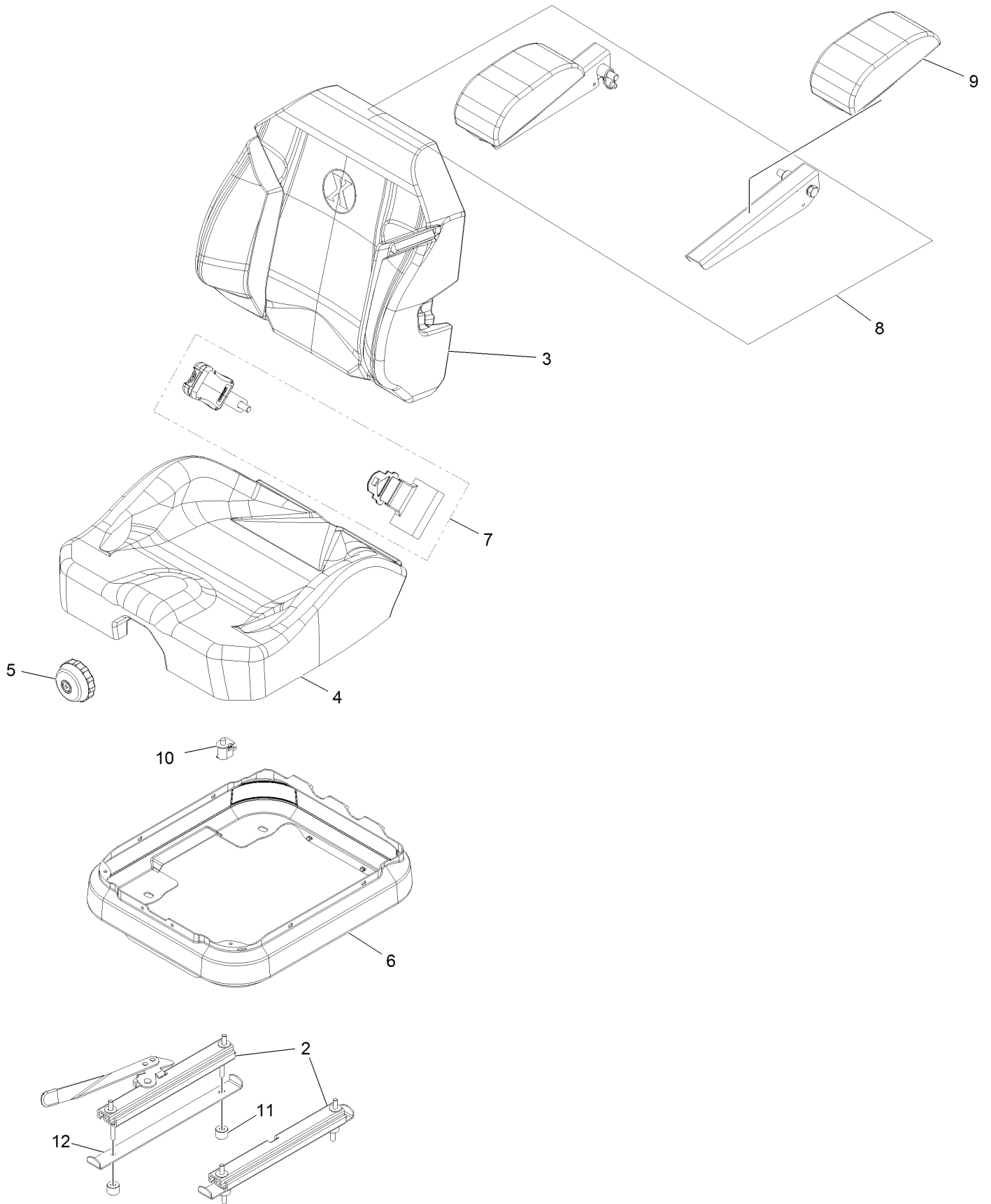
Seat Assembly



Seat Assembly (continued)

| <i>Ref.</i> | <i>Part Number</i> | <i>Qty.</i> | <i>Description</i> | <i>Ref.</i> | <i>Part Number</i> | <i>Qty.</i> | <i>Description</i> |
|-------------|--------------------|-------------|----------------------------------|-------------|--------------------|-------------|---|
| 1 | 126-7286 | 1 | Seat Mount ASM | 10 | 104-8300 | 16 | Nut-Nyloc 5/16-18 Flg |
| 2 | 109-9034 | 4 | Isolator-Seat | 11 | 116-0070 | 1 | Rod-Prop |
| 3 | 126-2701-03 | 1 | Plate-Support, Tilt Seat | 12 | 3230-23 | 9 | Bolt-Carriage 5/16-18 X 3/4 Short Neck |
| 4 | 126-2700-03 | 1 | Plate-Frame, Seat | 13 | 116-1297 | 2 | Screw-Shoulder |
| 5 | 26-4840 | 4 | Spacer-Pin, Mounting | 14 | 104-8301 | 4 | Nut-Nyloc 3/8-16 Flg |
| 6 | 116-8912 | 1 | Kit-Suspension Seat | 15 | 9266934 | 4 | Screw-HWH 5/16 X 1/2 Tf |
| 7 | 126-1855 | 1 | Plate-Latch, Seat | 16 | 126-6574 | 1 | Decal, Lazer Model |
| 8 | 3230-4 | 1 | Bolt-Carriage 5/16-18 X 1 1/2 | 17 | 135-2838 | 1 | Decal-Trans Fluid |
| 9 | 107-3017 | 1 | Spring-Compression | | | | |

Seat Assembly (cont.)

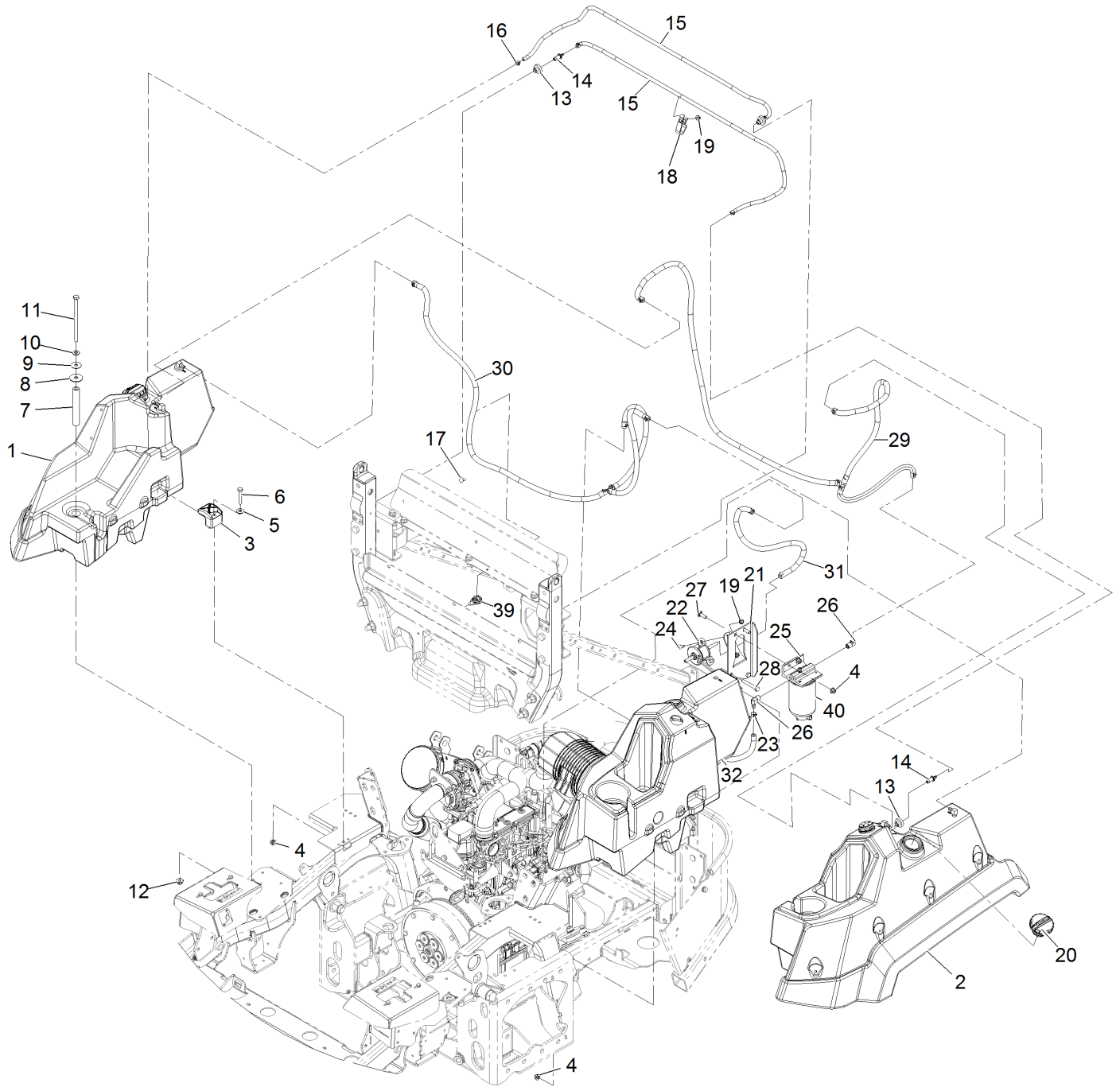


Seat Assembly (cont.) (continued)

| <i>Ref.</i> | <i>Part Number</i> | <i>Qty.</i> | <i>Description</i> | <i>Ref.</i> | <i>Part Number</i> | <i>Qty.</i> | <i>Description</i> |
|-------------|--------------------|-------------|------------------------------|-------------|--------------------|-------------|-----------------------|
| 2 | 116-8910 | 1 | Seat Track Set | 7 | 126-2061 | 1 | Seat Belt Service Kit |
| 3 | 116-8908 | 1 | Cover-Back 311463Vn500 | 8 | 116-8906 | 1 | Kit-Arm Rest Set |
| 4 | 116-8909 | 1 | Cover-Cushion 311464Vn500 | 9 | 116-8905 | 1 | Kit-Arm Rest Pads |
| 5 | 116-8911 | 1 | Knob-Adjuster | 10 | 82-2190 | 1 | Switch |
| 6 | 116-5659 | 1 | Cover-Suspension Bellows | 11 | 116-9329 | 4 | Spacer |
| | | | | 12 | 126-9918-03 | 2 | Stop, Seat ● |

● Used on Diesel models only

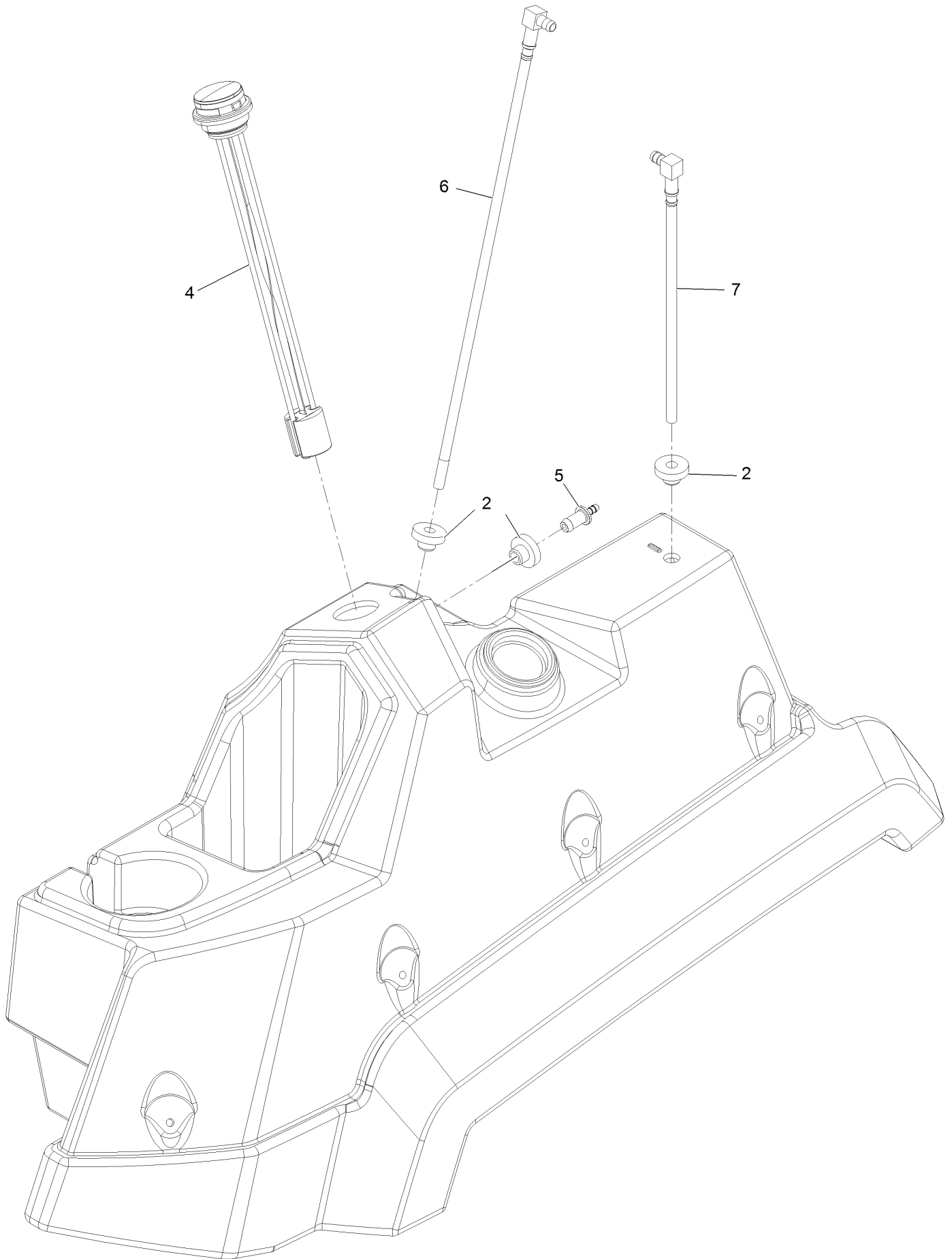
Fuel Assembly



Fuel Assembly (continued)

| <i>Ref.</i> | <i>Part Number</i> | <i>Qty.</i> | <i>Description</i> | <i>Ref.</i> | <i>Part Number</i> | <i>Qty.</i> | <i>Description</i> |
|-------------|--------------------|-------------|----------------------------|-------------|--------------------|-------------|----------------------------------|
| 1 | 126-8651 | 1 | RH Fuel Tank ASM | 19 | 104-7201 | 5 | Nut-Nyloc 1/4-20 Flg |
| 2 | 126-8652 | 1 | LH Fuel Tank ASM | 20 | 135-2715 | 2 | Cap-Fuel, Diesel |
| 3 | 107-4543 | 4 | Clamp | 21 | 135-0166-03 | 1 | Bracket-Filter And Pump, Fuel |
| 4 | 104-8300 | 8 | Nut-Nyloc 5/16-18 Flg | 22 | 121-5613 | 1 | Pump-Fuel, Electric |
| 5 | 3256-3 | 4 | Washer-5/16 Std | 23 | 92-2379 | 4 | Clamp-Hose |
| 6 | 322-21 | 4 | Screw-HH | 24 | 32105-15 | 2 | Screw-Machine 1/4-20 X 3/4 |
| 7 | 126-8335 | 2 | Tube-Spacer | 25 | 135-7380 | 1 | ASM,Fuel Filter W/Head |
| 8 | 95-1905 | 2 | Washer-Rubber | 26 | 353-781 | 2 | Fitting-HYD, 90 |
| 9 | 105-6814 | 2 | Washer-Plain | 27 | 3230-22 | 2 | Bolt-Carriage 5/16-18 X 1 Sp |
| 10 | 3256-24 | 2 | Washer-3/8 SAE | 28 | 322-11 | 2 | Screw-HH 5/16-18 X 2 1/4 |
| 11 | 323-22 | 2 | Screw-HH | 29 | 135-0510 | 1 | Line-Fuel, Suction |
| 12 | 104-8301 | 2 | Nut-Nyloc 3/8-16 Flg | 30 | 135-0511 | 1 | Line-Fuel, Return |
| 13 | 46-6560 | 2 | Bushing | 31 | 109-0308 | 1 | Hose-Fuel |
| 14 | 116-4630 | 2 | Fitting-Orifice, Straight | 32 | 110-4105 | 1 | Hose-Fuel |
| 15 | 117-6395 | 2 | Hose-Vent, Tank | 39 | 32180-030 | 1 | Clip-Tie |
| 16 | 2412-80 | 4 | Clamp-Hose | 40 | 116-0289 | 1 | Filter-Fuel |
| 17 | 3229-11 | 3 | Bolt-Carriage 1/4-20 X 5/8 | | | | |
| 18 | 92-5753 | 3 | Clamp-Hose | | | | |

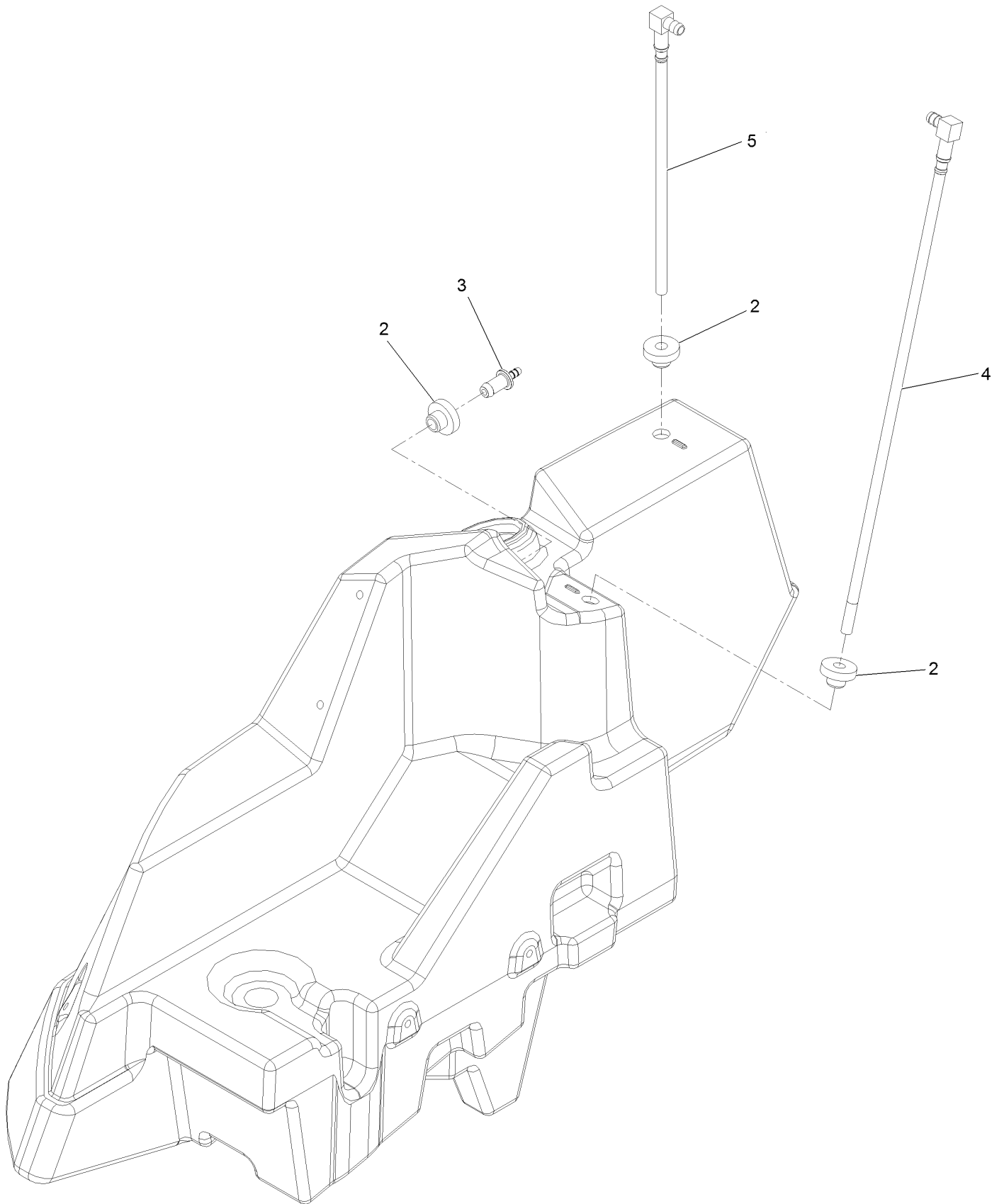
LH Fuel Tank Assembly



LH Fuel Tank Assembly (continued)

| <i>Ref.</i> | <i>Part Number</i> | <i>Qty.</i> | <i>Description</i> | <i>Ref.</i> | <i>Part Number</i> | <i>Qty.</i> | <i>Description</i> |
|-------------|--------------------|-------------|---------------------------|-------------|--------------------|-------------|--------------------|
| 2 | 46-6560 | 3 | Bushing | 6 | 126-8647 | 1 | Pick-Up-Fuel |
| 4 | 126-8660 | 1 | Gauge-Fuel | 7 | 126-8649 | 1 | Return-Fuel |
| 5 | 116-4630 | 1 | Fitting-Orifice, Straight | | | | |

RH Fuel Tank Assembly



RH Fuel Tank Assembly (continued)

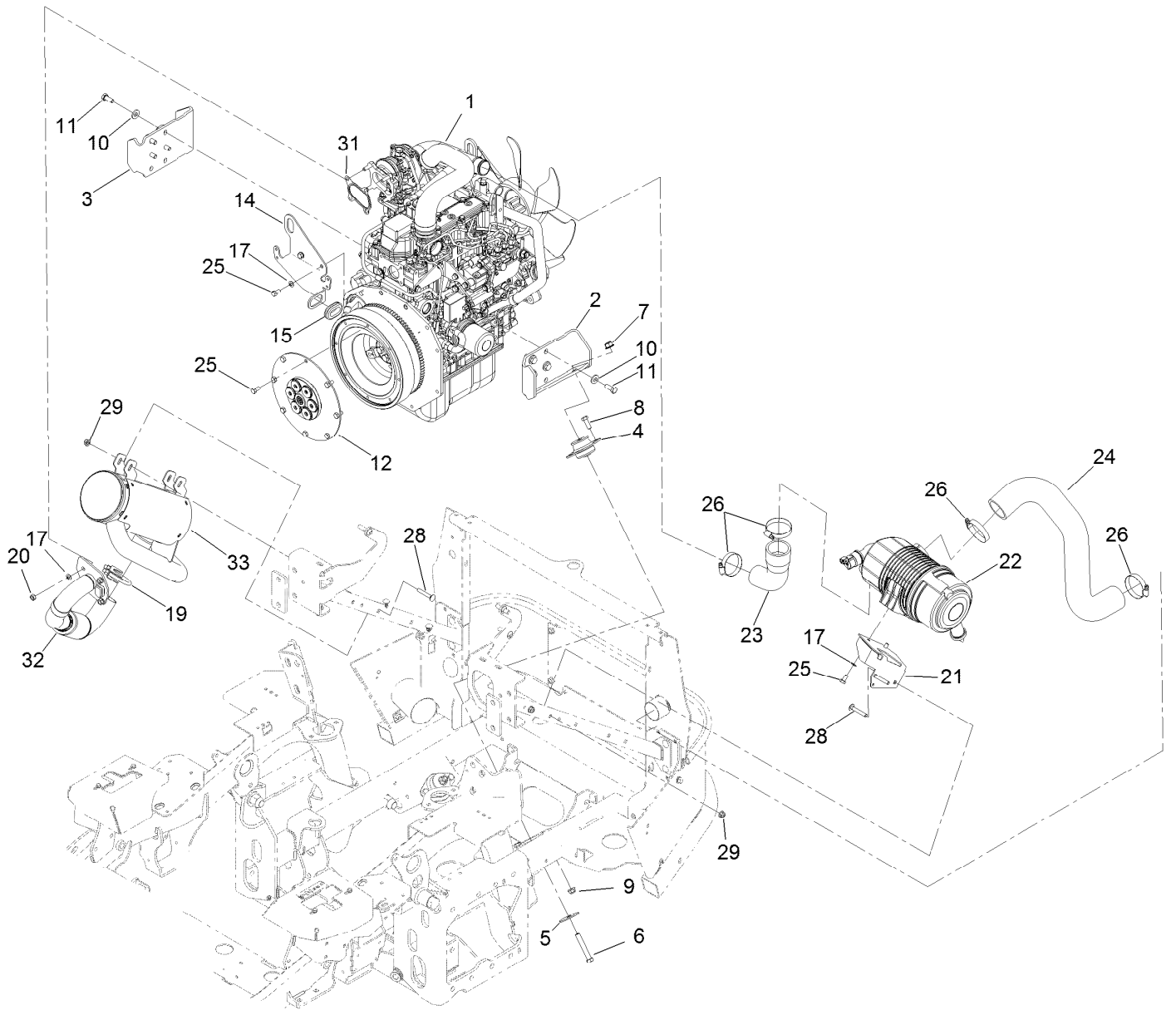
| <i>Ref.</i> | <i>Part Number</i> | <i>Qty.</i> | <i>Description</i> | <i>Ref.</i> | <i>Part Number</i> | <i>Qty.</i> | <i>Description</i> |
|-------------|--------------------|-------------|---------------------------|-------------|--------------------|-------------|--------------------|
| 2 | 46-6560 | 3 | Bushing | 4 | 126-8647 | 1 | Pick-Up-Fuel |
| 3 | 116-4630 | 1 | Fitting-Orifice, Straight | 5 | 126-8649 | 1 | Return-Fuel |

Valve Assembly No. 131-1934 (continued)

| <i>Ref.</i> | <i>Part Number</i> | <i>Qty.</i> | <i>Description</i> |
|-------------|--------------------|-------------|--------------------|
| 3 | 107-7517 | 1 | Valve-Solenoid |
| 3:1 | 105-9156 | 1 | Seal Kit |
| 3:2 | 107-7812 | 1 | Nut-Solenoid |
| 4 | 131-1935 | 1 | Valve-Solenoid |

| <i>Ref.</i> | <i>Part Number</i> | <i>Qty.</i> | <i>Description</i> |
|-------------|--------------------|-------------|--------------------|
| 5 | 115-3021 | 1 | Coil-12V |
| 6 | 119-8036 | 1 | Coil |
| 7 | 110-2634 | 1 | Nut-Coil |

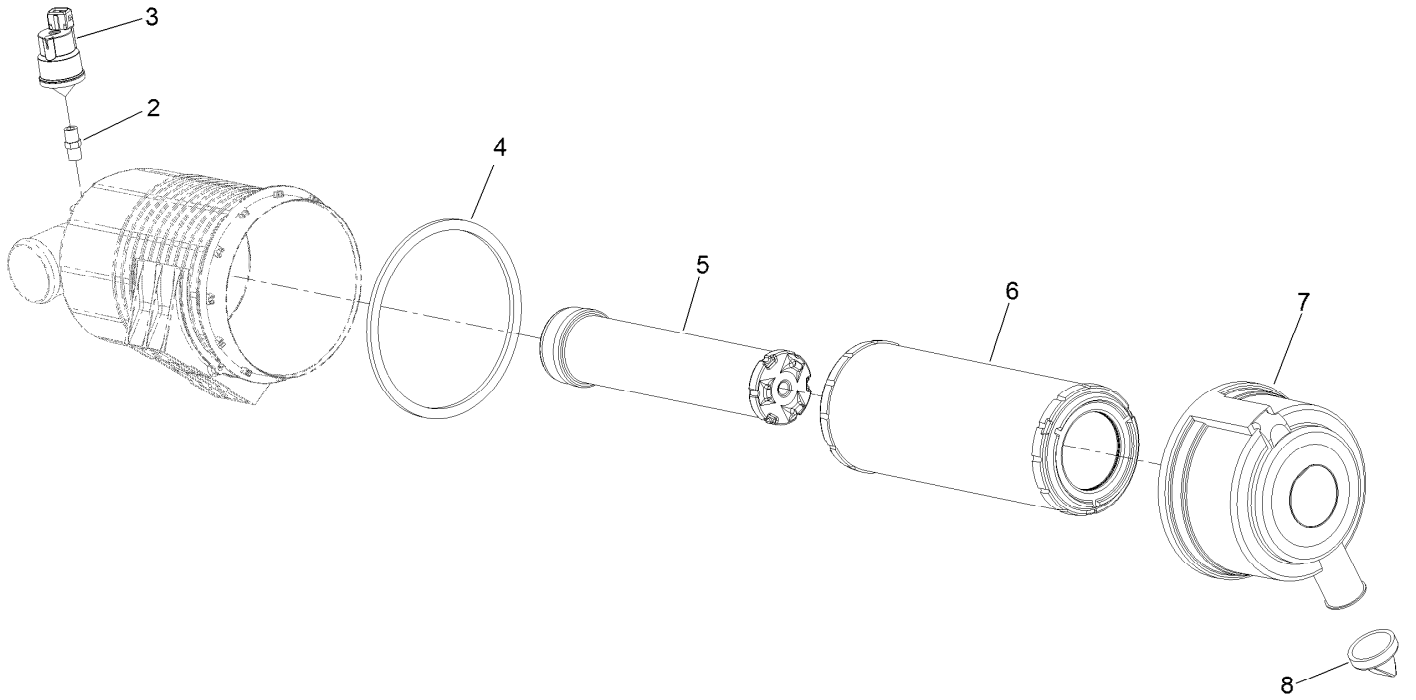
Engine, Muffler and Air Cleaner Assembly



Engine, Muffler and Air Cleaner Assembly (continued)

| <i>Ref.</i> | <i>Part Number</i> | <i>Qty.</i> | <i>Description</i> | <i>Ref.</i> | <i>Part Number</i> | <i>Qty.</i> | <i>Description</i> |
|-------------|--------------------|-------------|----------------------------------|-------------|--------------------|-------------|----------------------|
| 1 | 138-6926 | 1 | Engine-Yanmar, 3Tnv80Ft-Zmtr1 | 17 | 3290-475 | 8 | Washer-Belleville |
| 2 | 126-9282-03 | 1 | Mount-Engine, LH | 19 | 18-2130 | 1 | Clamp |
| 3 | 126-9285-03 | 1 | Mount-Engine, RH | 20 | 33014-00 | 4 | Nut-Hex |
| 4 | 130-2486 | 2 | Mount | 21 | 126-8730-03 | 1 | Bracket-Cleaner, Air |
| 5 | 87-5100 | 2 | Washer-Snubbing | 22 | 126-7646 | 1 | Air Cleaner ASM |
| 6 | 324-11 | 2 | Screw-HH | 23 | 126-7288 | 1 | Hose-Air |
| 7 | 114-8417 | 2 | Nut-HF, NI | 24 | 120-9177 | 1 | Hose-Air |
| 8 | 323-6 | 4 | Screw-HH | 25 | 99-5132 | 12 | Bolt |
| 9 | 104-8301 | 4 | Nut-HF, NI | 26 | 2412-130 | 4 | Clamp-Hose |
| 10 | 98-5975 | 8 | Washer-Belleville | 28 | 3230-6 | 4 | Bolt-CARR |
| 11 | 33115-025 | 8 | Screw-HH | 29 | 104-8300 | 4 | Nut-HF, NI |
| 12 | 126-6531 | 1 | Coupler-Flywheel | 31 | 136-2307 | 1 | Gasket-Header |
| 14 | 126-7610-03 | 1 | Bracket-Guide | 32 | 126-9329 | 1 | Header Pipe |
| 15 | 108-3723 | 1 | Grommet | 33 | 126-8911 | 1 | Muffler |

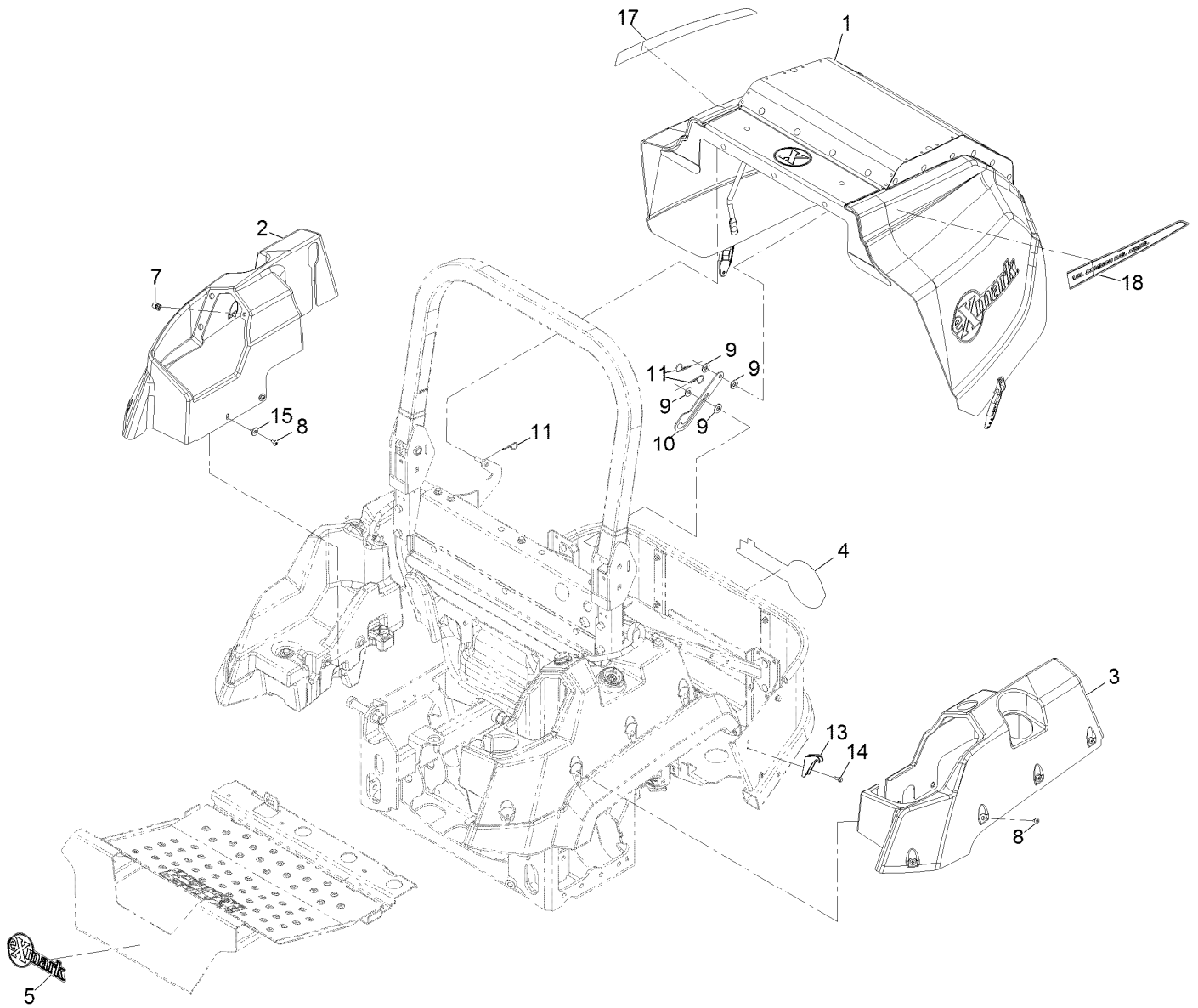
Air Cleaner Assembly No. 126-7646



Air Cleaner Assembly No. 126-7646 (continued)

| <i>Ref.</i> | <i>Part Number</i> | <i>Qty.</i> | <i>Description</i> | <i>Ref.</i> | <i>Part Number</i> | <i>Qty.</i> | <i>Description</i> |
|-------------|--------------------|-------------|------------------------|-------------|--------------------|-------------|--------------------|
| 2 | 105-4292 | 1 | Nipple-Pipe | 6 | 108-3810 | 1 | Filter-Air |
| 3 | 126-7651 | 1 | Indicator-Mini | 7 | 104-0497 | 1 | Cover |
| 4 | 104-4897 | 1 | Gasket | 8 | 104-0498 | 1 | Valve-Vacuator |
| 5 | 114-4057 | 1 | Element-Safety, 5 Inch | | | | |

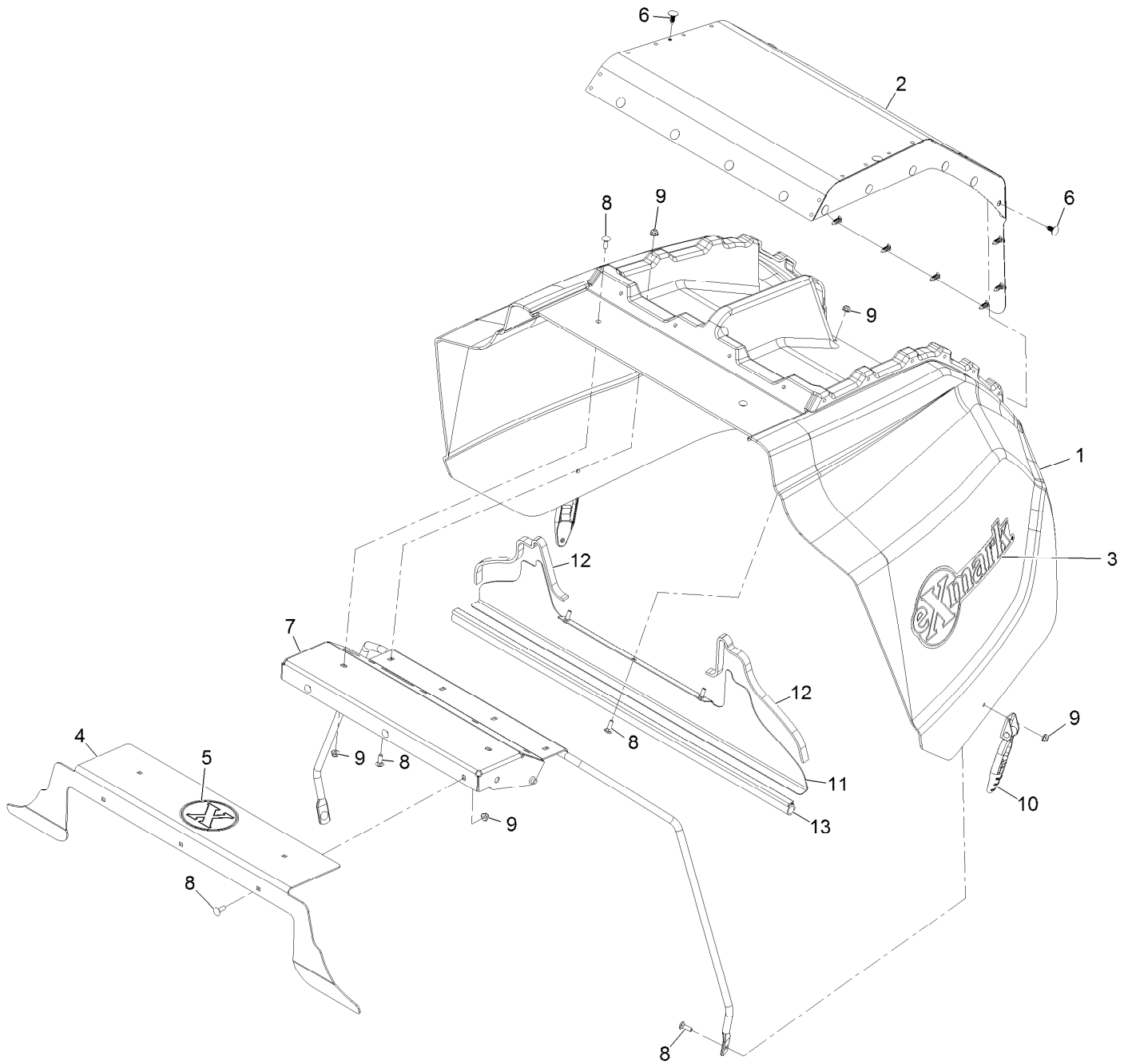
Hood and Console Assembly



Hood and Console Assembly (continued)

| <i>Ref.</i> | <i>Part Number</i> | <i>Qty.</i> | <i>Description</i> | <i>Ref.</i> | <i>Part Number</i> | <i>Qty.</i> | <i>Description</i> |
|-------------|--------------------|-------------|---------------------------|-------------|--------------------|-------------|------------------------|
| 1 | 135-6744 | 1 | ASM, Hood Lzsd | 10 | 120-9129 | 1 | Prop-Hood |
| 2 | 126-6787 | 1 | Cover-Tank, RH | 11 | 3290-255 | 3 | Pin-Cotter, Hair |
| 3 | 126-6790 | 1 | Cover-Tank, LH | 13 | 126-8672 | 2 | Latch-Catch |
| 4 | 126-6992 | 1 | Decal-Exmark | 14 | 32144-10 | 2 | Screw-HWH 1/4-20 X .62 |
| 5 | 135-2274 | 1 | Decal-Exmark | 15 | 3256-71 | 4 | Washer |
| 7 | 107069 | 1 | Nut-Retainer-Panel 1/4-20 | 17 | 135-3173 | 1 | Decal-Turbo Diesel-RH |
| 8 | 126-8216 | 12 | Screw-Torx | 18 | 135-3174 | 1 | Decal-Turbo Diesel-LH |
| 9 | 3256-4 | 4 | Washer-3/8 Std | | | | |

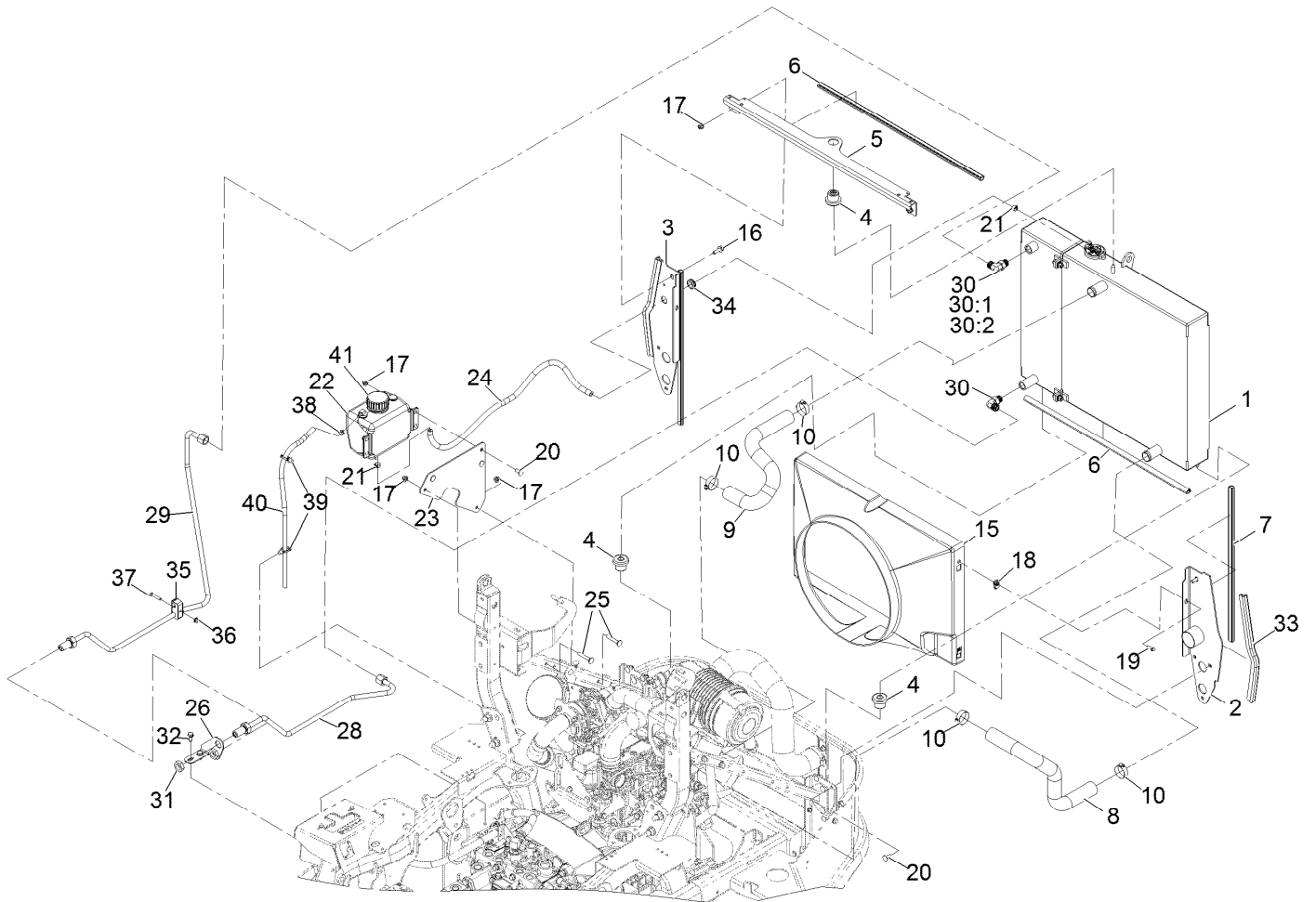
Hood Assembly



Hood Assembly (continued)

| <i>Ref.</i> | <i>Part Number</i> | <i>Qty.</i> | <i>Description</i> | <i>Ref.</i> | <i>Part Number</i> | <i>Qty.</i> | <i>Description</i> |
|-------------|--------------------|-------------|--------------------|-------------|--------------------|-------------|----------------------------|
| 1 | 135-6745 | 1 | Hood,Lzsd | 8 | 3229-1 | 14 | Bolt-Carriage 1/4-20 X 3/4 |
| 2 | 135-6746-03 | 1 | Screen-Intake | 9 | 104-7201 | 14 | Nut-Nyloc 1/4-20 Flg |
| 3 | 126-6992 | 2 | Decal-Exmark | 10 | 103-2898 | 2 | Latch-Rubber |
| 4 | 135-6750-03 | 1 | Hood-Block Off | 11 | 135-7572-03 | 1 | Plate-Seal |
| 5 | 126-7457 | 1 | Decal-X-Logo | 12 | 135-7573 | 2 | Seal-Foam |
| 6 | 117-2382 | 24 | Plug-Plastic | 13 | 126-6846 | 1 | Seal-Bulb |
| 7 | 126-6524-03 | 1 | Support-Hood | | | | |

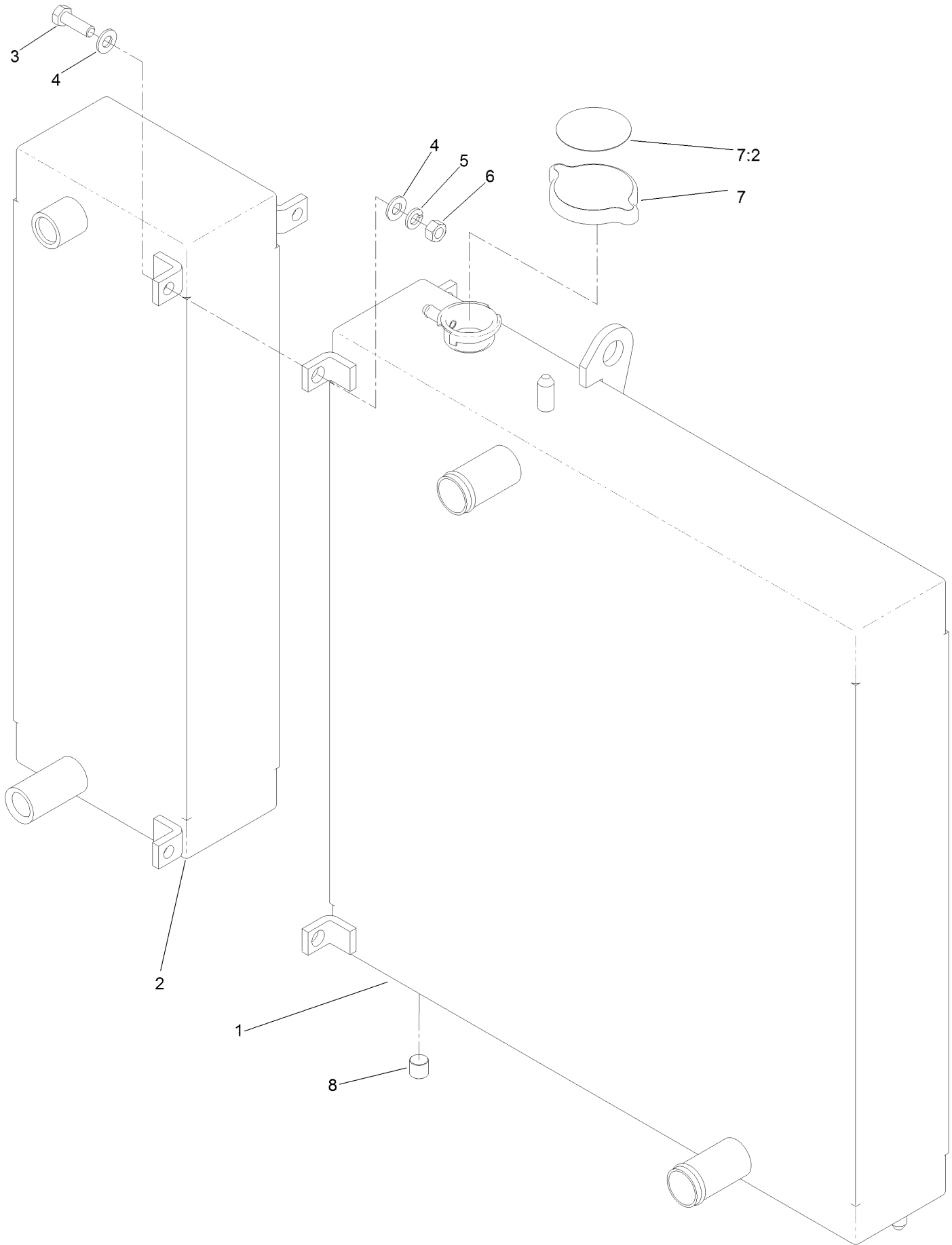
Cooling Assembly



Cooling Assembly (continued)

| <i>Ref.</i> | <i>Part Number</i> | <i>Qty.</i> | <i>Description</i> | <i>Ref.</i> | <i>Part Number</i> | <i>Qty.</i> | <i>Description</i> |
|-------------|--------------------|-------------|---|-------------|--------------------|-------------|-------------------------------|
| 1 | 121-3330 | 1 | Cooling ASM | 24 | 126-7648 | 1 | Hose |
| 2 | 126-9026-03 | 1 | Support-Radiator, LH | 25 | 3230-6 | 2 | Bolt-Carriage 3/16-18 X 2 |
| 3 | 126-9028-03 | 1 | Support-Radiator, RH | 26 | 126-6781-03 | 1 | Bracket-Bulkhead |
| 4 | 119-1422 | 3 | Mount-Isolator | 28 | 126-8691 | 1 | Hydraulic Tube ASM |
| 5 | 120-0068-03 | 1 | Bracket-Cooling, Top | 29 | 126-8690 | 1 | Hydraulic Tube ASM |
| 6 | 119-1427 | 2 | Seal-Bulb | 30 | 340-98 | 2 | Fitting-Elbow, 90 DEG |
| 7 | 119-1426 | 2 | Seal-Bulb | 30:1 | 237-79 | 1 | O-Ring |
| 8 | 126-7787 | 1 | Hose-Radiator, Lower | 30:2 | 237-30 | 1 | O-Ring |
| 9 | 126-7788 | 1 | Hose-Radiator, Upper | 31 | 340-127 | 2 | Nut-Bulkhead |
| 10 | 2412-34 | 4 | Clamp-Hose | 32 | 32144-70 | 2 | Screw-HWH 5/16-18 X 3/4 Tf |
| 15 | 126-6720 | 1 | Shroud-Fan | 33 | 126-6847 | 2 | Seal-Bulb |
| 16 | 3234-29 | 2 | Screw-HH Flg 5/16-18 X 1 | 34 | 237-124 | 1 | Grommet |
| 17 | 104-8300 | 13 | Nut-Nyloc 5/16-18 Flg | 35 | 135-0641 | 1 | Clamp-Twin |
| 18 | 107069 | 4 | Nut-Retainer-Panel 1/4-20 | 36 | 104-7201 | 1 | Nut-Nyloc 1/4-20 Flg |
| 19 | 32105-15 | 4 | Screw-Machine 1/4-20 X 3/4 | 37 | 321-13 | 1 | Screw-HH 1/4-20 X 1 3/8 |
| 20 | 3230-23 | 9 | Bolt-Carriage 5/16-18 X 3/4 Short Neck | 38 | 2412-98 | 1 | Clamp-Hose |
| 21 | 92-2379 | 2 | Clamp-Hose | 39 | 32180-030 | 2 | Clip-Tie |
| 22 | 135-4692 | 1 | Tank-Overflow, W/Cap | 40 | 110-4103 | 1 | Hose-Fuel |
| 23 | 126-9178-03 | 1 | Bracket-Bottle | 41 | 135-4693 | 1 | Cap-W/Tether |

Cooling Assembly (cont.)

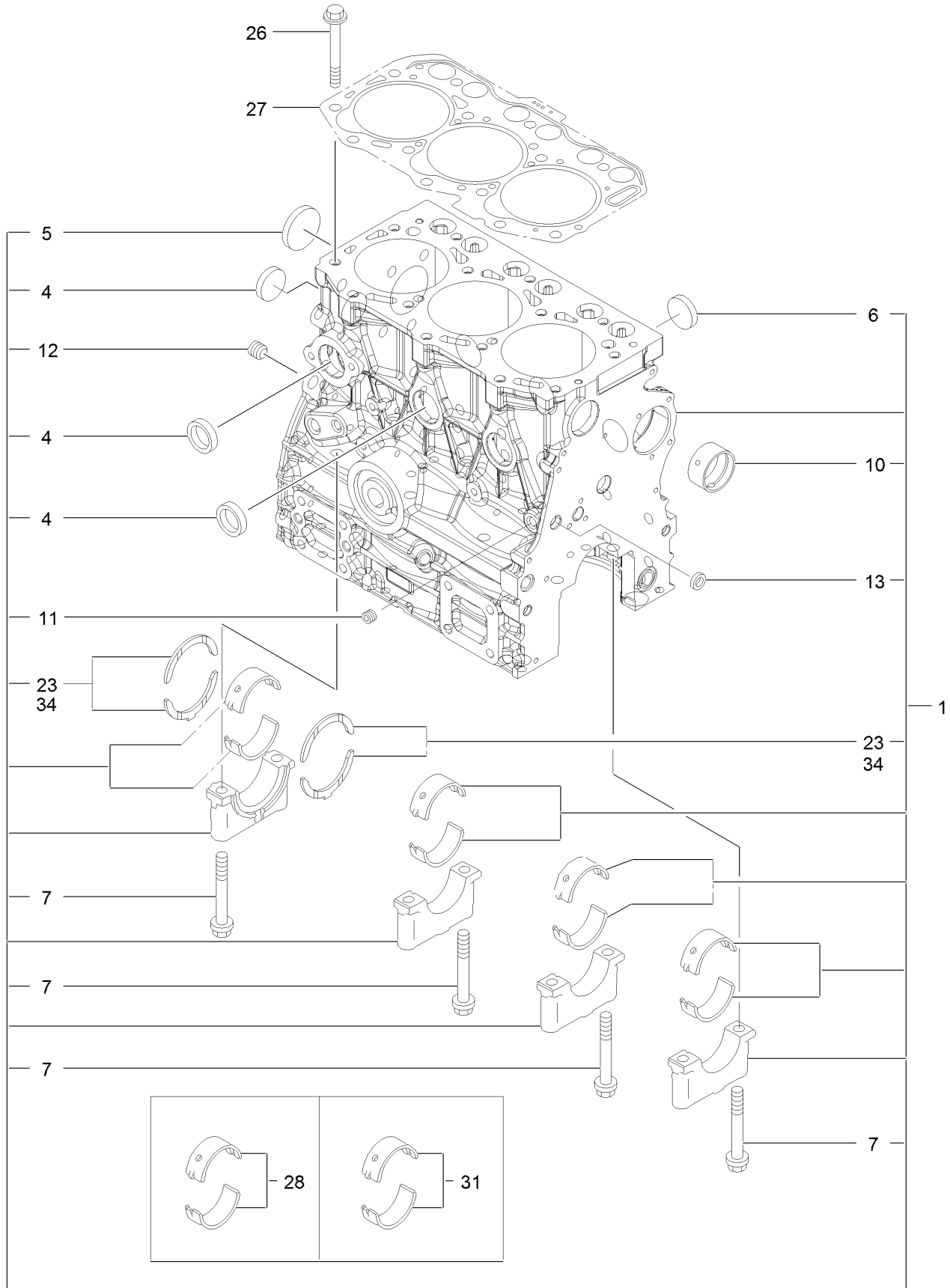


Cooling Assembly (cont.) (continued)

| <i>Ref.</i> | <i>Part Number</i> | <i>Qty.</i> | <i>Description</i> |
|-------------|--------------------|-------------|--------------------|
| 1 | 121-3328 | 1 | Radiator |
| 2 | 121-3329 | 1 | Oil Cooler |
| 3 | 322-5 | 3 | Screw-HH |
| 4 | 3256-23 | 6 | Washer-Plain |
| 5 | 3253-4 | 3 | Washer-Lock |

| <i>Ref.</i> | <i>Part Number</i> | <i>Qty.</i> | <i>Description</i> |
|-------------|--------------------|-------------|--------------------|
| 6 | 3217-6 | 3 | Nut-Hex |
| 7 | 119-1430 | 1 | Radiator Cap ASM |
| 7:2 | 117-3276 | 1 | Decal-Danger |
| 8 | 99-8551 | 1 | Plug-Pipe |

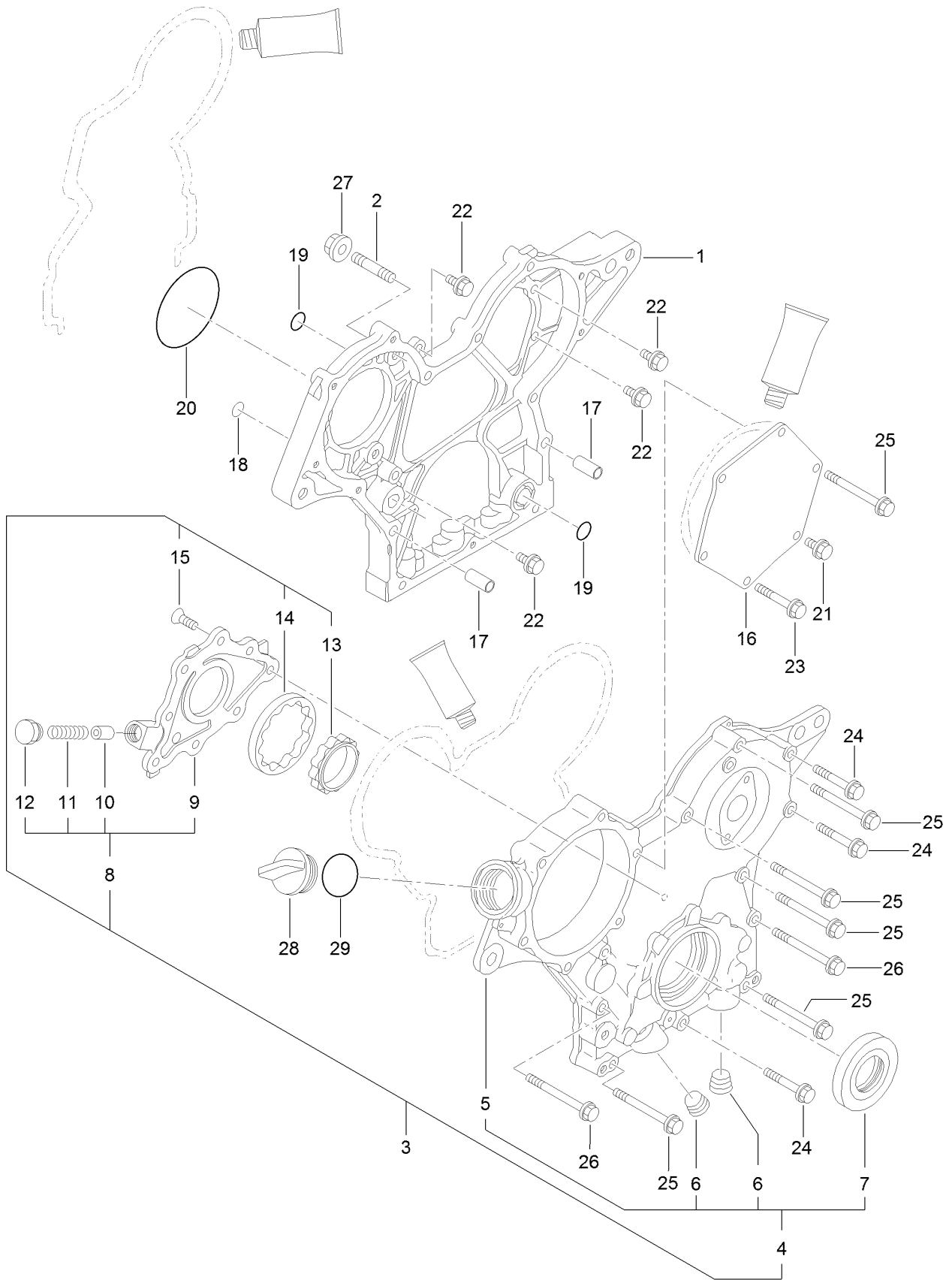
Cylinder Block Assembly



Cylinder Block Assembly (continued)

| <i>Ref.</i> | <i>Part Number</i> | <i>Qty.</i> | <i>Description</i> | <i>Ref.</i> | <i>Part Number</i> | <i>Qty.</i> | <i>Description</i> |
|-------------|--------------------|-------------|--------------------|-------------|--------------------|-------------|---------------------|
| 1 | 135-4030 | 1 | Block ASM-Cylinder | 13 | 125-7237 | 1 | Plug |
| 4 | 135-4031 | 4 | Plug-Cup | 23 | 135-4036 | 2 | Thrust Bearing ASM |
| 5 | 135-4032 | 1 | Plug-Dish | 26 | 135-4037 | 14 | Bolt-Head, Cylinder |
| 6 | 135-4033 | 3 | Plug-Cup | 27 | 135-4038 | 1 | Gasket Set-Head |
| 7 | 135-4034 | 8 | Bolt-Cap, Metal | 28 | 135-4039 | 4 | Main Bearing ASM |
| 10 | 135-4035 | 1 | Bushing-Camshaft | 31 | 135-4040 | 4 | Main Bearing ASM |
| 11 | 125-6969 | 1 | Plug | 34 | 135-4041 | 2 | Bearing-Thrust |
| 12 | 125-6973 | 1 | Plug | | | | |

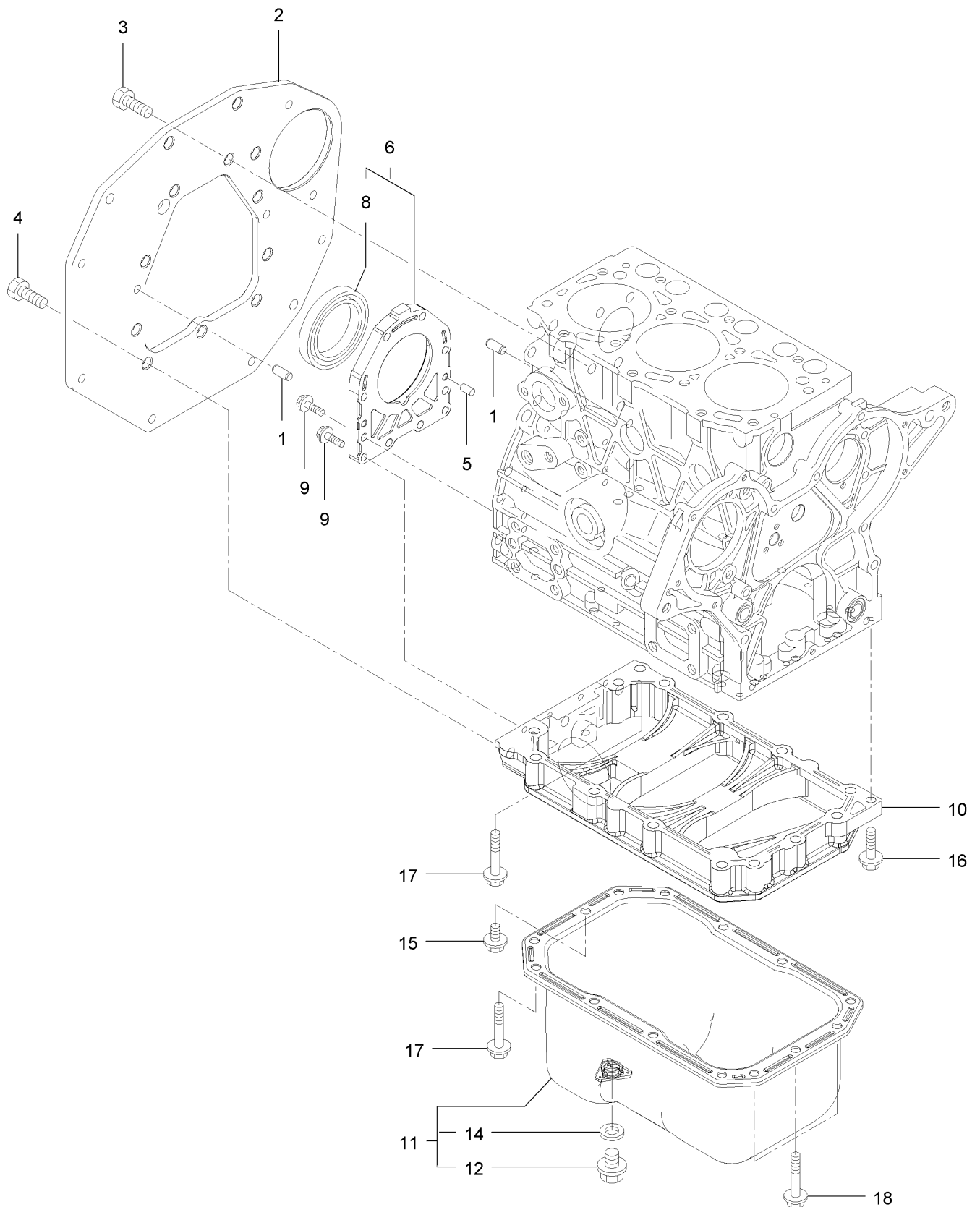
Gear Housing Assembly



Gear Housing Assembly (continued)

| <i>Ref.</i> | <i>Part Number</i> | <i>Qty.</i> | <i>Description</i> | <i>Ref.</i> | <i>Part Number</i> | <i>Qty.</i> | <i>Description</i> |
|-------------|--------------------|-------------|---------------------------------|-------------|--------------------|-------------|--------------------|
| 1 | 135-4042 | 1 | Case-Gear | 15 | 135-4055 | 8 | Screw |
| 2 | 135-4043 | 3 | Bolt-Stud | 16 | 135-4056 | 1 | Cover-Pump |
| 3 | 135-4044 | 1 | Complete Gear Case Cover ASM | 17 | 135-4057 | 4 | Dowel-Pipe |
| 4 | 135-4045 | 1 | Gear Case Cover ASM | 18 | 127-2973 | 1 | O-Ring |
| 5 | 135-4046 | 1 | Cover-Case, Gear | 19 | 135-4058 | 3 | O-Ring |
| 6 | 133-6798 | 2 | Plug | 20 | 125-6957 | 1 | O-Ring |
| 7 | 135-4047 | 1 | Seal-Oil | 21 | 125-7206 | 1 | Bolt |
| 8 | 135-4048 | 1 | Cover ASM | 22 | 125-7208 | 4 | Bolt |
| 9 | 135-4049 | 1 | Cover-Pump | 23 | 125-7211 | 4 | Bolt |
| 10 | 135-4050 | 1 | Valve-Relief | 24 | 125-7211 | 3 | Bolt |
| 11 | 135-4051 | 1 | Spring | 25 | 135-4059 | 7 | Bolt |
| 12 | 135-4052 | 1 | Plug | 26 | 136-8257 | 2 | Bolt |
| 13 | 135-4053 | 1 | Rotor-Inner | 27 | 125-7229 | 3 | Nut |
| 14 | 135-4054 | 1 | Rotor-Outer | 28 | 125-6972 | 1 | Cover-Filler |
| | | | | 29 | 125-7197 | 1 | O-Ring |

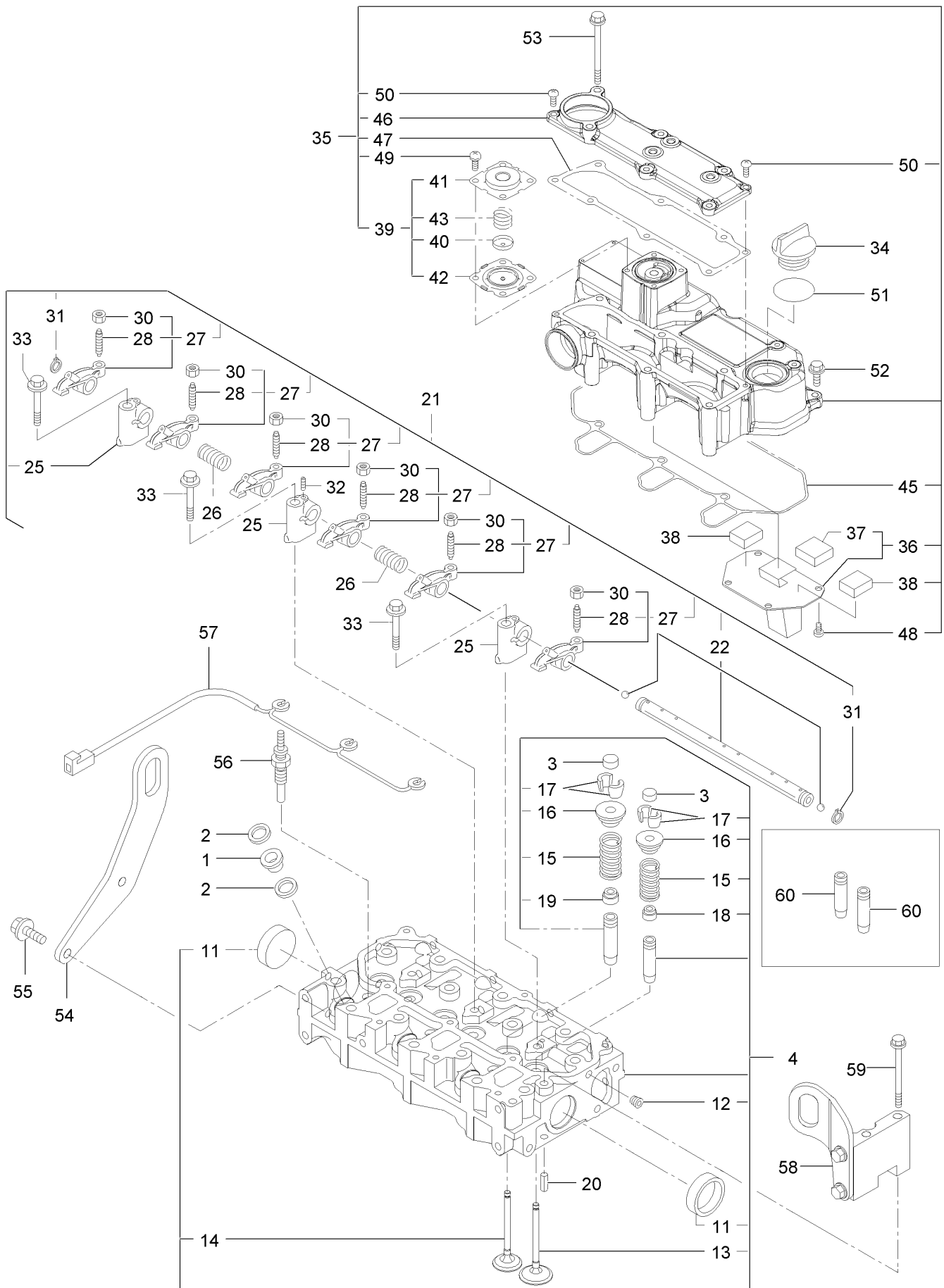
Flywheel Housing and Oil Sump Assembly



Flywheel Housing and Oil Sump Assembly (continued)

| <i>Ref.</i> | <i>Part Number</i> | <i>Qty.</i> | <i>Description</i> | <i>Ref.</i> | <i>Part Number</i> | <i>Qty.</i> | <i>Description</i> |
|-------------|--------------------|-------------|--------------------|-------------|--------------------|-------------|--------------------|
| 1 | 125-6995 | 2 | Pin | 10 | 135-4066 | 1 | Spacer-Pan, Oil |
| 2 | 135-4060 | 1 | Flange-Mounting | 11 | 135-4067 | 1 | Oil Pan ASM |
| 3 | 135-4061 | 9 | Bolt | 12 | 135-4068 | 1 | Plug |
| 4 | 125-7226 | 3 | Bolt | 14 | 136-8236 | 1 | Washer-Seal |
| 5 | 135-4062 | 2 | Pin-Parallel | 15 | 125-7212 | 1 | Bolt |
| 6 | 135-4063 | 1 | Case ASM-Oil Seal | 16 | 125-7216 | 1 | Bolt |
| 8 | 135-4064 | 1 | Seal-Oil | 17 | 125-7219 | 11 | Bolt |
| 9 | 135-4065 | 10 | Bolt | 18 | 125-7220 | 3 | Bolt |

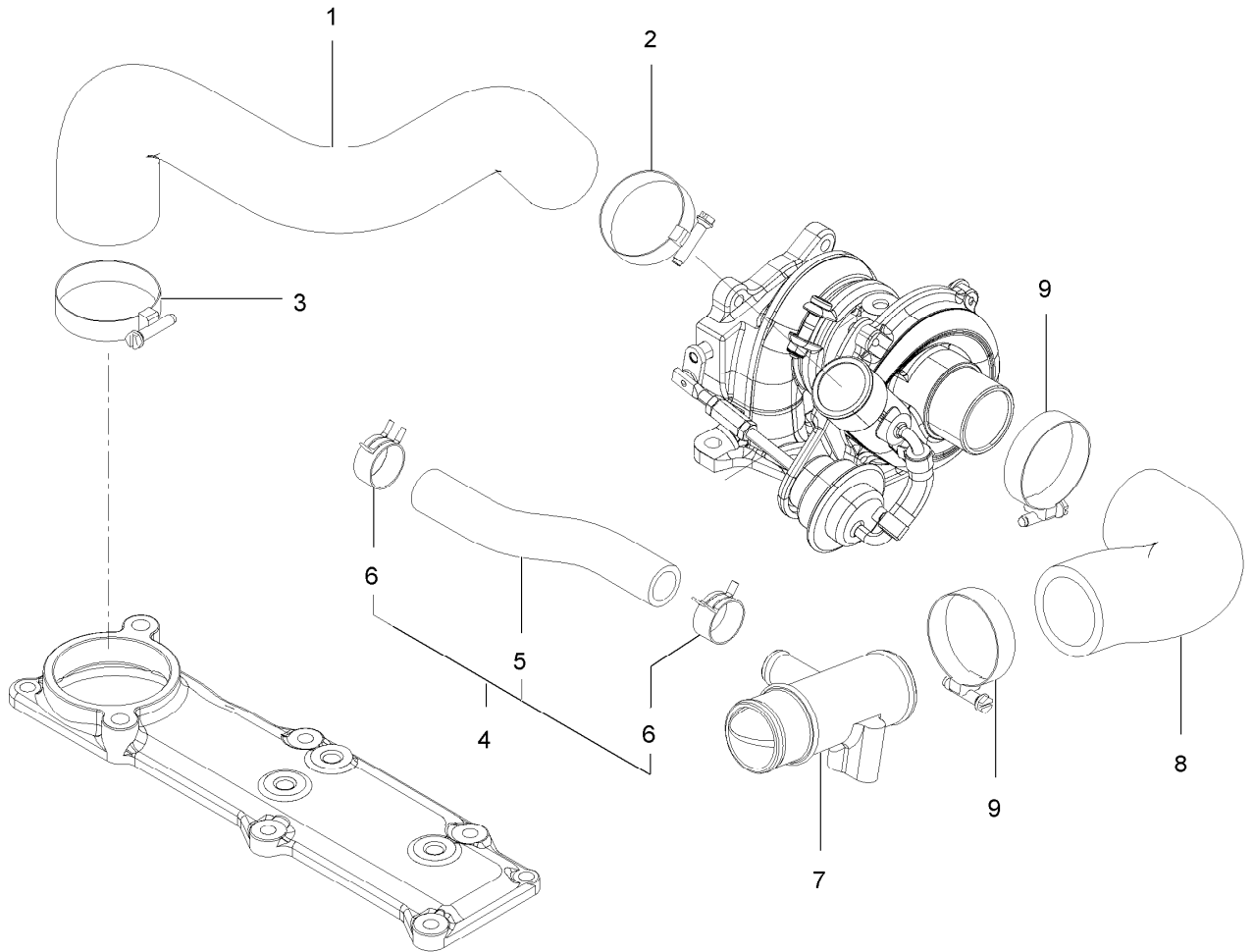
Cylinder Head and Cover Assembly



Cylinder Head and Cover Assembly (continued)

| <i>Ref.</i> | <i>Part Number</i> | <i>Qty.</i> | <i>Description</i> | <i>Ref.</i> | <i>Part Number</i> | <i>Qty.</i> | <i>Description</i> |
|-------------|--------------------|-------------|---------------------|-------------|--------------------|-------------|-----------------------------|
| 1 | 135-4069 | 3 | Protector-Nozzle | 36 | 135-4085 | 1 | Plate-Baffle |
| 2 | 135-4070 | 6 | Gasket-Nozzle | 37 | 135-4086 | 1 | Baffle-Breather |
| 3 | 135-4071 | 6 | Cap-Valve | 38 | 135-4086 | 2 | Baffle-Breather |
| 4 | 135-4072 | 1 | Head ASM-Cylinder | 39 | 135-4088 | 1 | Diaphragm ASM |
| 11 | 135-4073 | 2 | Plug-Cup | 40 | 135-4089 | 1 | Plate-Diaphragm |
| 12 | 133-6797 | 1 | Plug | 41 | 135-4090 | 1 | Cover-Diaphragm |
| 13 | 135-4074 | 3 | Valve-Suction | 42 | 135-4091 | 1 | Diaphragm |
| 14 | 135-4075 | 3 | Valve, Exhaust 3 | 43 | 135-4092 | 1 | Spring-Diaphragm |
| 15 | 135-4076 | 6 | Spring-Valve | 45 | 135-4093 | 1 | Gasket-Cover, Cylinder Head |
| 16 | 125-7054 | 6 | Retainer | 46 | 135-4094 | 1 | Cover ASM-Bonnet |
| 17 | 125-6914 | 12 | Cotter | 47 | 135-4095 | 1 | Gasket |
| 18 | 125-6915 | 3 | Seal-Stem, Valve | 48 | 125-7186 | 4 | Screw |
| 19 | 125-6916 | 3 | Seal-Stem, Valve | 49 | 125-7186 | 4 | Screw |
| 20 | 125-7184 | 2 | Pin-Spring | 50 | 127-3168 | 2 | Screw |
| 21 | 135-4077 | 1 | Rocker Support ASM | 51 | 125-7197 | 1 | O-Ring |
| 22 | 135-4078 | 1 | Rocker Shaft ASM | 52 | 125-7209 | 3 | Bolt |
| 25 | 135-4079 | 3 | Support-Arm, Rocker | 53 | 135-4096 | 6 | Bolt |
| 26 | 135-4080 | 2 | Spring-Rocker | 54 | 135-4097 | 1 | Lifter-Engine |
| 27 | 135-4081 | 6 | Rocker Arm ASM | 55 | 125-7214 | 2 | Bolt |
| 28 | 125-7013 | 6 | Screw-Adjust, Valve | 56 | 135-4291 | 3 | Plug-Glow |
| 30 | 125-7014 | 6 | Nut | 57 | 135-4294 | 1 | Connector-Glow Plug |
| 31 | 135-7082 | 2 | Ring | 58 | 135-4292 | 1 | Lifter ASM |
| 32 | 135-4083 | 1 | Screw | 59 | 127-3178 | 2 | Bolt |
| 33 | 125-7218 | 3 | Bolt | 60 | 125-6917 | 6 | Guide |
| 34 | 125-6972 | 1 | Cover-Filler | | | | |
| 35 | 135-4084 | 1 | Bonnet ASM | | | | |

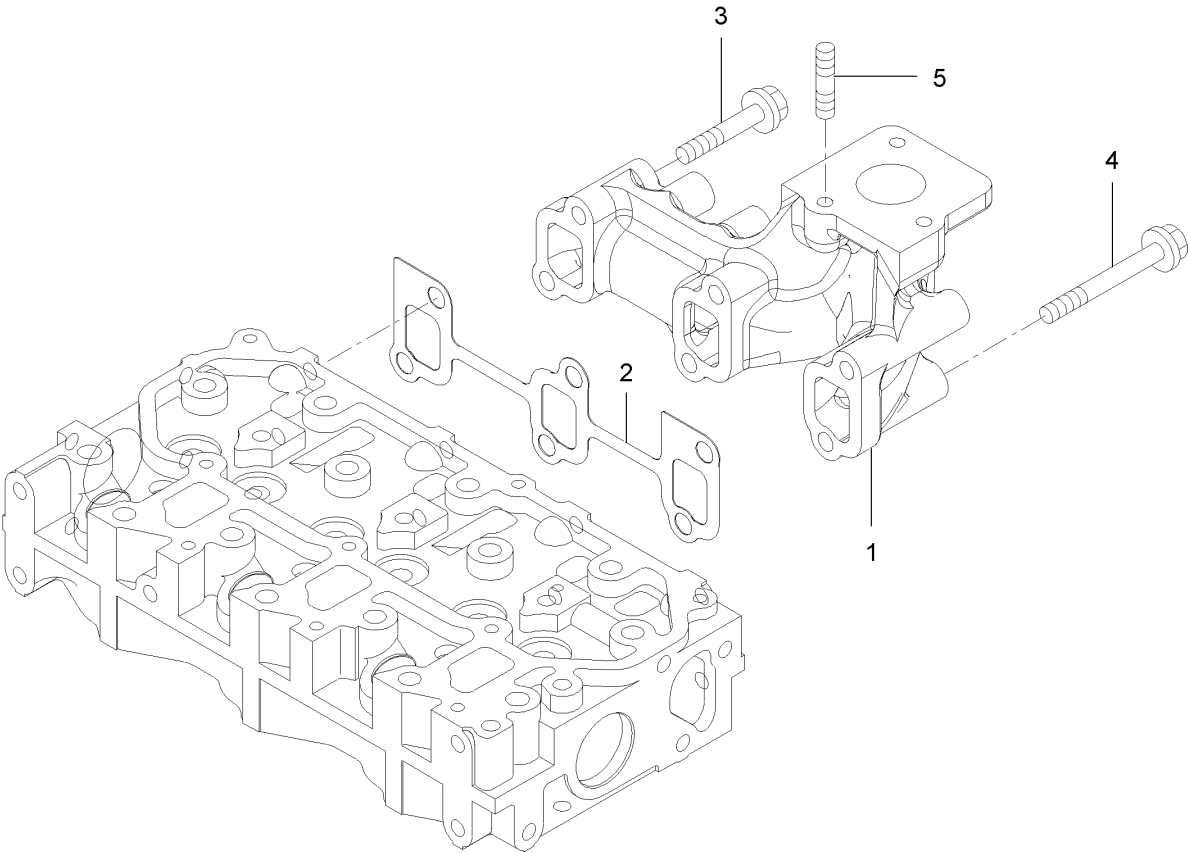
Suction Manifold Assembly



Suction Manifold Assembly (continued)

| <i>Ref.</i> | <i>Part Number</i> | <i>Qty.</i> | <i>Description</i> | <i>Ref.</i> | <i>Part Number</i> | <i>Qty.</i> | <i>Description</i> |
|-------------|--------------------|-------------|--------------------|-------------|--------------------|-------------|--------------------|
| 1 | 135-4101 | 1 | Hose-Air Intake | 6 | 125-7040 | 2 | Clip-Hose |
| 2 | 125-7189 | 1 | Clamp-Hose | 7 | 135-4104 | 1 | Joint-Breather |
| 3 | 127-3170 | 1 | Clamp-Hose | 8 | 135-4105 | 1 | Hose-Intake, Air |
| 4 | 135-4102 | 1 | Hose ASM-Breather | 9 | 127-3170 | 2 | Clamp-Hose |
| 5 | 135-4103 | 1 | Hose-Breather | | | | |

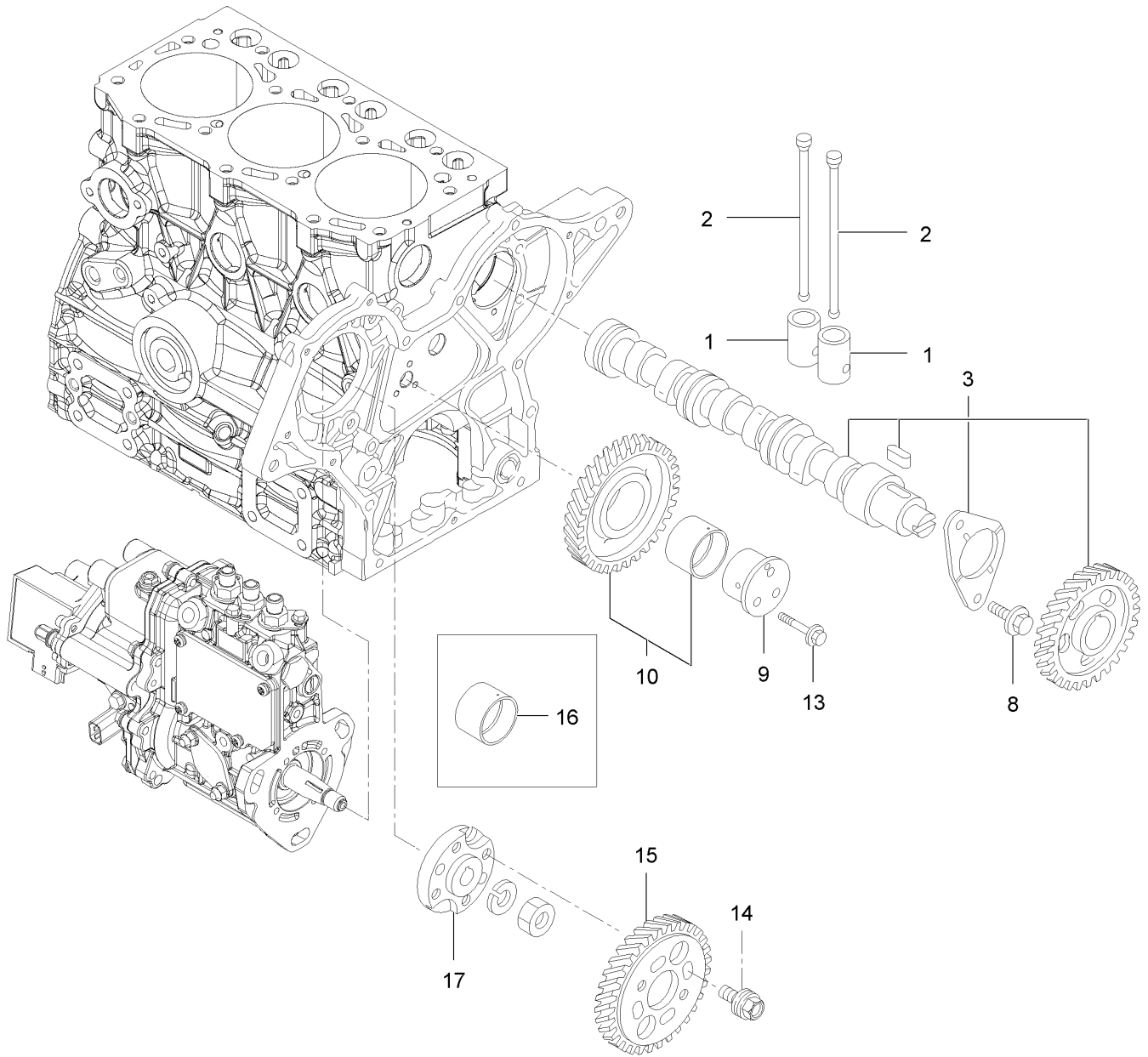
Exhaust Manifold Assembly



Exhaust Manifold Assembly (continued)

| <i>Ref.</i> | <i>Part Number</i> | <i>Qty.</i> | <i>Description</i> | <i>Ref.</i> | <i>Part Number</i> | <i>Qty.</i> | <i>Description</i> |
|-------------|--------------------|-------------|--------------------------|-------------|--------------------|-------------|--------------------|
| 1 | 135-4106 | 1 | Manifold-Exhaust | 4 | 133-6606 | 3 | Bolt |
| 2 | 135-4107 | 1 | Gasket-Manifold, Exhaust | 5 | 125-7043 | 3 | Stud |
| 3 | 133-6714 | 3 | Bolt | | | | |

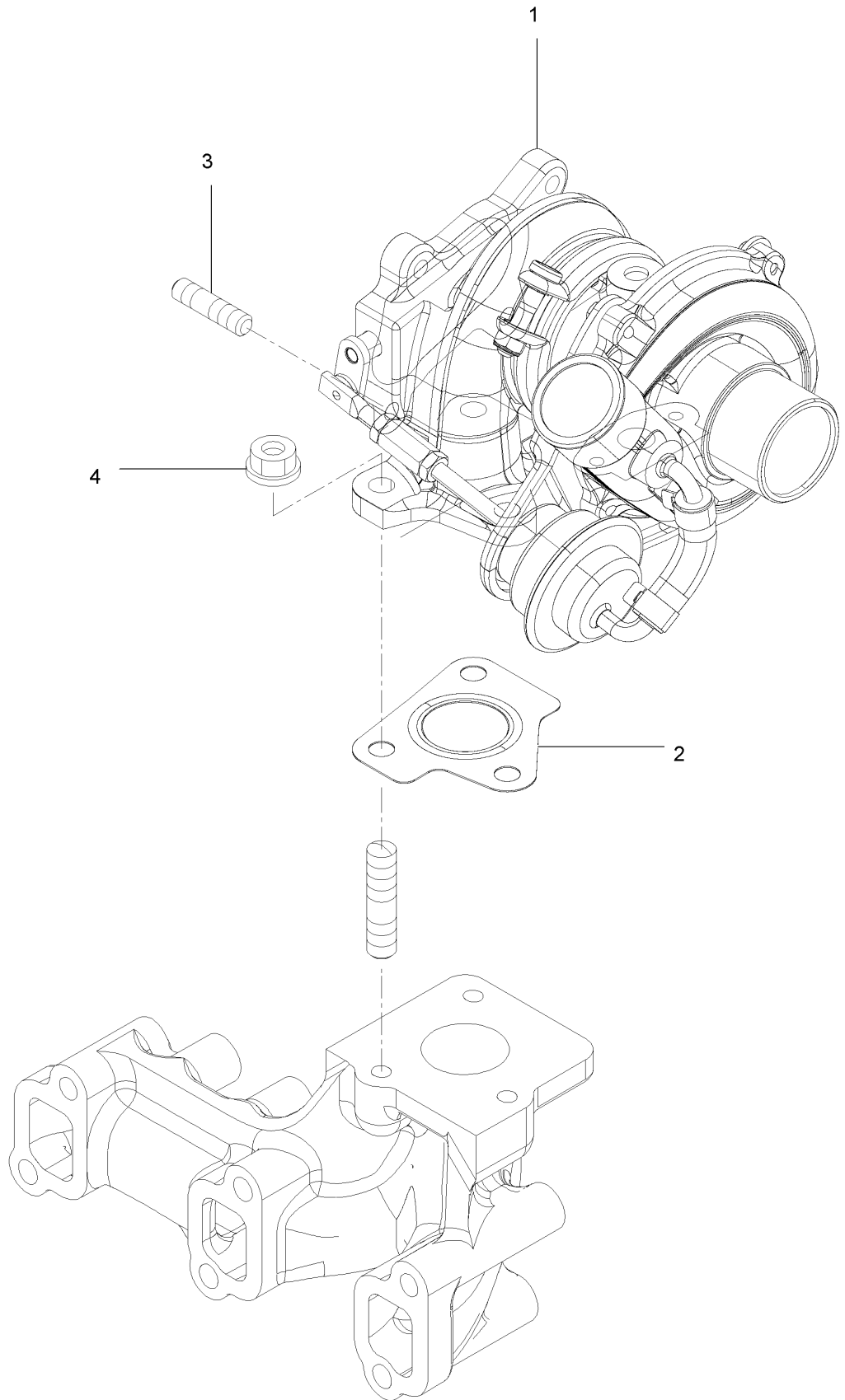
Camshaft and Driving Gear Assembly



Camshaft and Driving Gear Assembly (continued)

| <i>Ref.</i> | <i>Part Number</i> | <i>Qty.</i> | <i>Description</i> | <i>Ref.</i> | <i>Part Number</i> | <i>Qty.</i> | <i>Description</i> |
|-------------|--------------------|-------------|--------------------|-------------|--------------------|-------------|--------------------|
| 1 | 135-4108 | 6 | Tappet | 13 | 135-4147 | 3 | Bolt |
| 2 | 135-4109 | 6 | Push-Rod | 14 | 125-7020 | 4 | Bolt |
| 3 | 135-4110 | 1 | Camshaft ASM | 15 | 135-4148 | 1 | Gear-Pump |
| 8 | 125-7206 | 2 | Bolt | 16 | 135-4149 | 1 | Bushing-Gear, Idle |
| 9 | 135-4145 | 1 | Shaft-Idle | 17 | 135-4150 | 1 | Flange |
| 10 | 135-4146 | 1 | Idle Gear ASM | | | | |

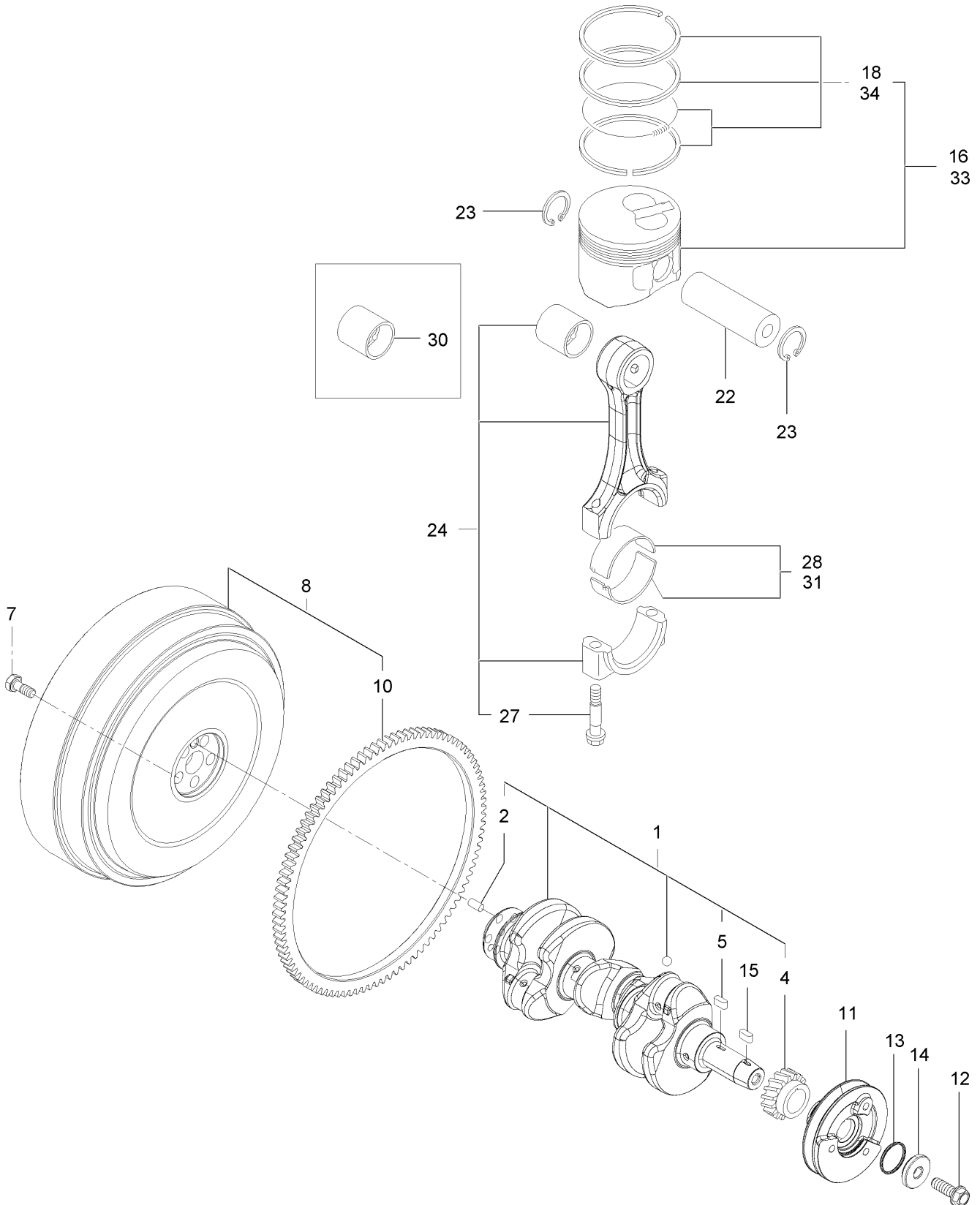
Turbine Assembly



Turbine Assembly (continued)

| <i>Ref.</i> | <i>Part Number</i> | <i>Qty.</i> | <i>Description</i> | <i>Ref.</i> | <i>Part Number</i> | <i>Qty.</i> | <i>Description</i> |
|-------------|--------------------|-------------|--------------------|-------------|--------------------|-------------|--------------------|
| 1 | 135-4151 | 1 | Turbocharger | 3 | 125-6906 | 4 | Stud |
| 2 | 127-3799 | 1 | Gasket-In, T C | 4 | 125-7229 | 3 | Nut |

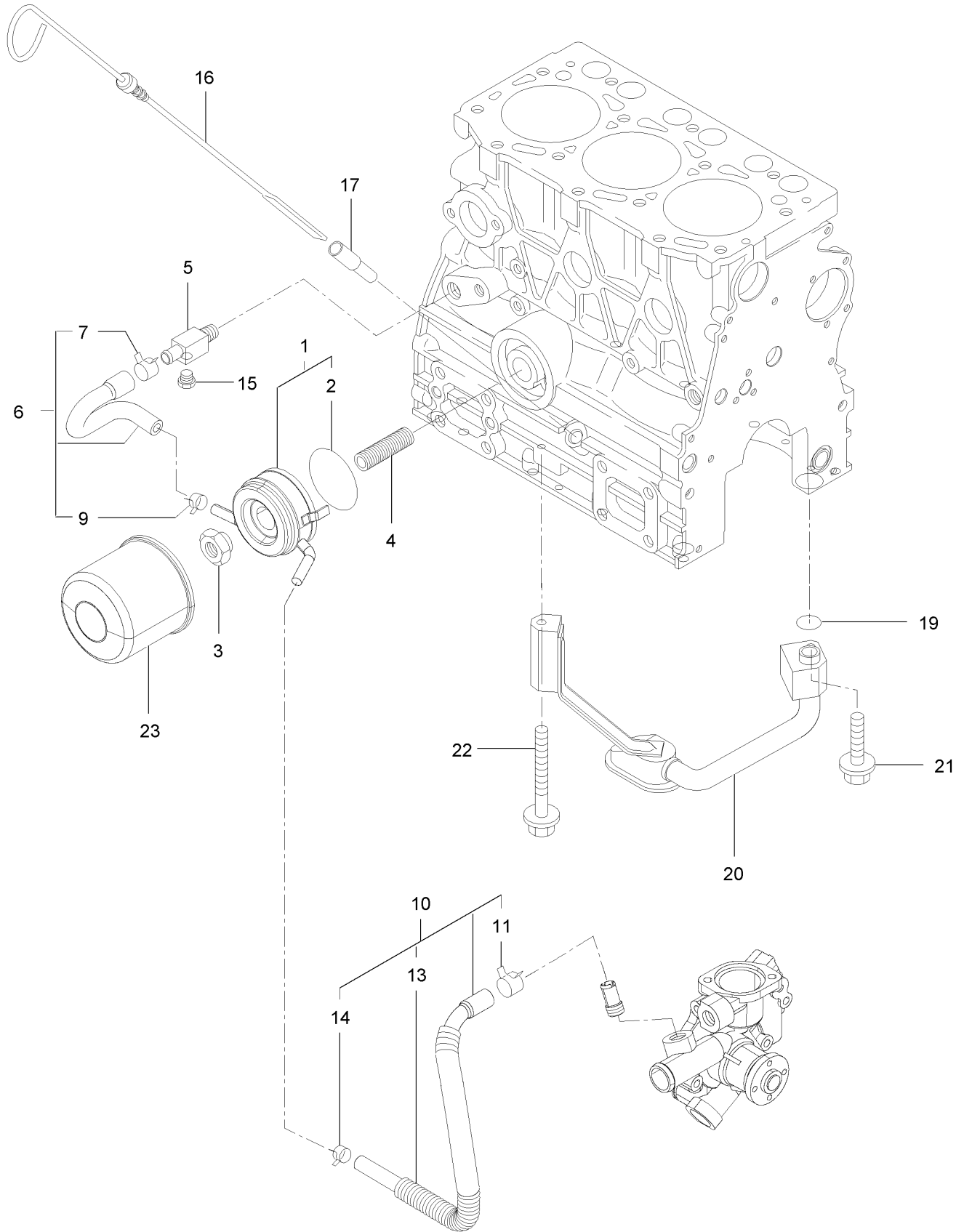
Crankshaft and Piston Assembly



Crankshaft and Piston Assembly (continued)

| <i>Ref.</i> | <i>Part Number</i> | <i>Qty.</i> | <i>Description</i> | <i>Ref.</i> | <i>Part Number</i> | <i>Qty.</i> | <i>Description</i> |
|-------------|--------------------|-------------|------------------------|-------------|--------------------|-------------|----------------------|
| 1 | 135-4152 | 1 | Crankshaft ASM | 16 | 135-4163 | 3 | Piston ASM |
| 2 | 125-6995 | 1 | Pin | 18 | 135-4164 | 3 | Ring ASM |
| 4 | 135-4153 | 1 | Gear-Crankshaft | 22 | 135-4165 | 3 | Pin-Piston |
| 5 | 135-4154 | 1 | Key | 23 | 135-4166 | 6 | Ring |
| 7 | 135-4155 | 5 | Bolt, Flywheel 5 | 24 | 135-4167 | 3 | Rod ASM-Connecting |
| 8 | 135-4156 | 1 | Flywheel ASM | 27 | 135-4168 | 6 | Bolt-Rod, Connecting |
| 10 | 135-4157 | 1 | Gear-Ring | 28 | 135-4169 | 3 | Bearing-Pin, Crank |
| 11 | 135-4158 | 1 | V-Pulley, Crankshaft 1 | 30 | 135-4170 | 3 | Bearing-Pin, Piston |
| 12 | 135-4159 | 1 | Bolt, Flange 12X1.25 1 | 31 | 135-4171 | 3 | Bearing-Pin (0.25) |
| 13 | 135-4160 | 1 | Gasket-Washer | 33 | 135-4172 | 3 | Piston ASM |
| 14 | 135-4161 | 1 | Washer | 34 | 135-4173 | 3 | Ring ASM |
| 15 | 135-4154 | 1 | Key | | | | |

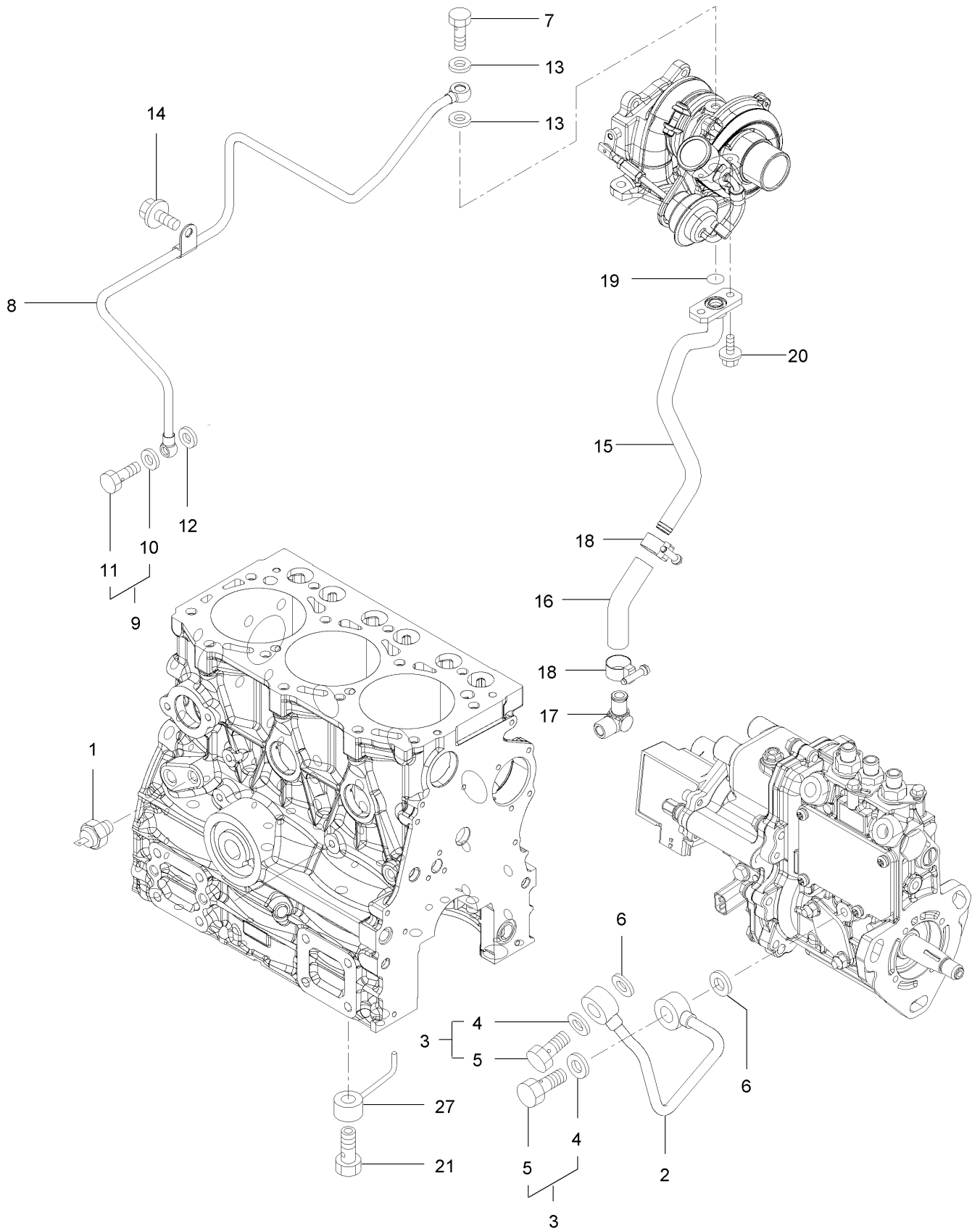
Oil Pump Assembly



Oil Pump Assembly (continued)

| <i>Ref.</i> | <i>Part Number</i> | <i>Qty.</i> | <i>Description</i> | <i>Ref.</i> | <i>Part Number</i> | <i>Qty.</i> | <i>Description</i> |
|-------------|--------------------|-------------|--------------------|-------------|--------------------|-------------|--------------------|
| 1 | 135-4174 | 1 | Cooler-Oil | 13 | 125-6946 | 1 | Tube |
| 2 | 125-7075 | 1 | O-Ring | 14 | 125-7191 | 1 | Clamp-Hose |
| 3 | 125-7041 | 1 | Nut-Cooler, Oil | 15 | 125-7171 | 1 | Plug-Drain |
| 4 | 135-4175 | 1 | Stud-Lo Filter | 16 | 135-4177 | 1 | Dipstick |
| 5 | 125-6990 | 1 | Joint | 17 | 125-6954 | 1 | Guide-Dipstick |
| 6 | 135-4176 | 1 | Pipe ASM-Cooler In | 19 | 135-4178 | 1 | O-Ring |
| 7 | 125-7162 | 1 | Clip | 20 | 135-4179 | 1 | Pipe ASM-Oil Inlet |
| 9 | 125-7191 | 1 | Clamp-Hose | 21 | 135-4147 | 1 | Bolt |
| 10 | 125-7079 | 1 | Pipe ASM | 22 | 136-8257 | 1 | Bolt |
| 11 | 125-7162 | 1 | Clip | 23 | 135-4181 | 1 | Filter-Oil, Engine |

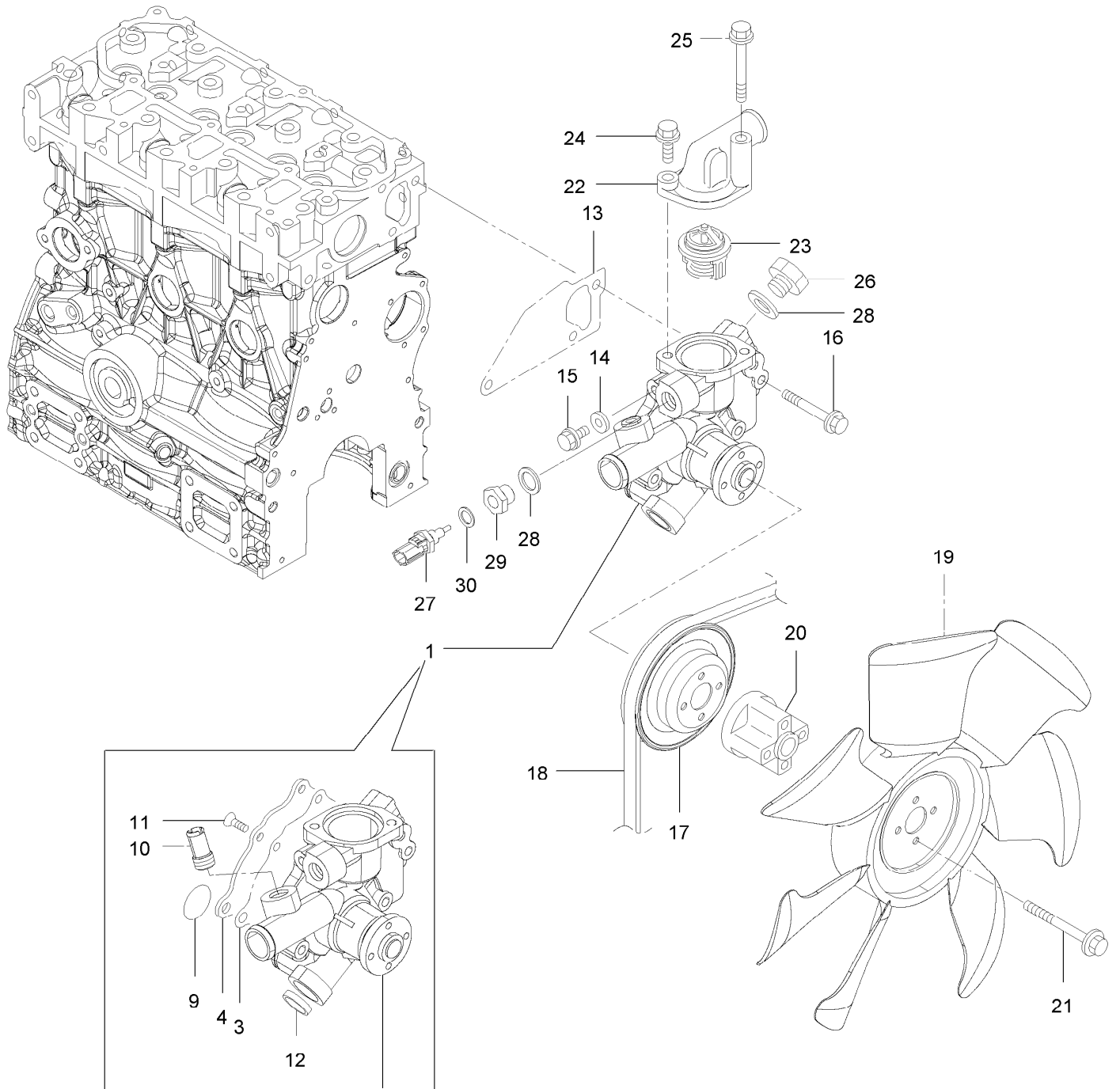
Oil Pump Assembly (cont.)



Oil Pump Assembly (cont.) (continued)

| <i>Ref.</i> | <i>Part Number</i> | <i>Qty.</i> | <i>Description</i> | <i>Ref.</i> | <i>Part Number</i> | <i>Qty.</i> | <i>Description</i> |
|-------------|--------------------|-------------|--------------------|-------------|--------------------|-------------|--------------------|
| 1 | 125-6918 | 1 | Switch-Oil | 12 | 125-7174 | 1 | Washer-Seal |
| 2 | 135-4182 | 1 | Pipe-Oil | 13 | 125-7193 | 2 | Gasket |
| 3 | 125-6988 | 2 | Joint Bolt ASM | 14 | 125-7212 | 1 | Bolt |
| 4 | 125-7174 | 2 | Washer-Seal | 15 | 135-4184 | 1 | Pipe-Lo Return |
| 5 | 125-7194 | 2 | Bolt-Joint | 16 | 127-2992 | 1 | Joint |
| 6 | 125-7174 | 2 | Washer-Seal | 17 | 127-3003 | 1 | Elbow |
| 7 | 125-6952 | 1 | Bolt-Joint, Pipe | 18 | 127-3169 | 2 | Clamp-Hose |
| 8 | 135-4183 | 1 | Pipe ASM-Lo | 19 | 125-7198 | 1 | O-Ring |
| 9 | 125-6988 | 1 | Joint Bolt ASM | 20 | 125-7208 | 2 | Bolt |
| 10 | 125-7174 | 1 | Washer-Seal | 21 | 135-4185 | 3 | Valve ASM-Check |
| 11 | 125-7194 | 1 | Bolt-Joint | 27 | 135-4186 | 3 | Nozzle ASM-Piston |

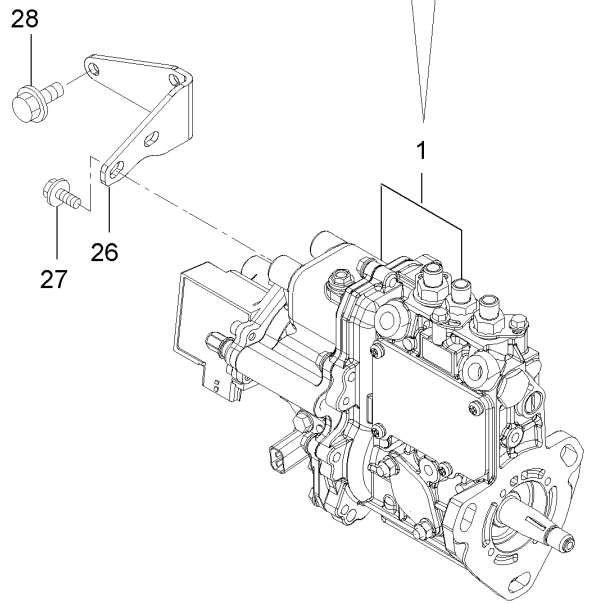
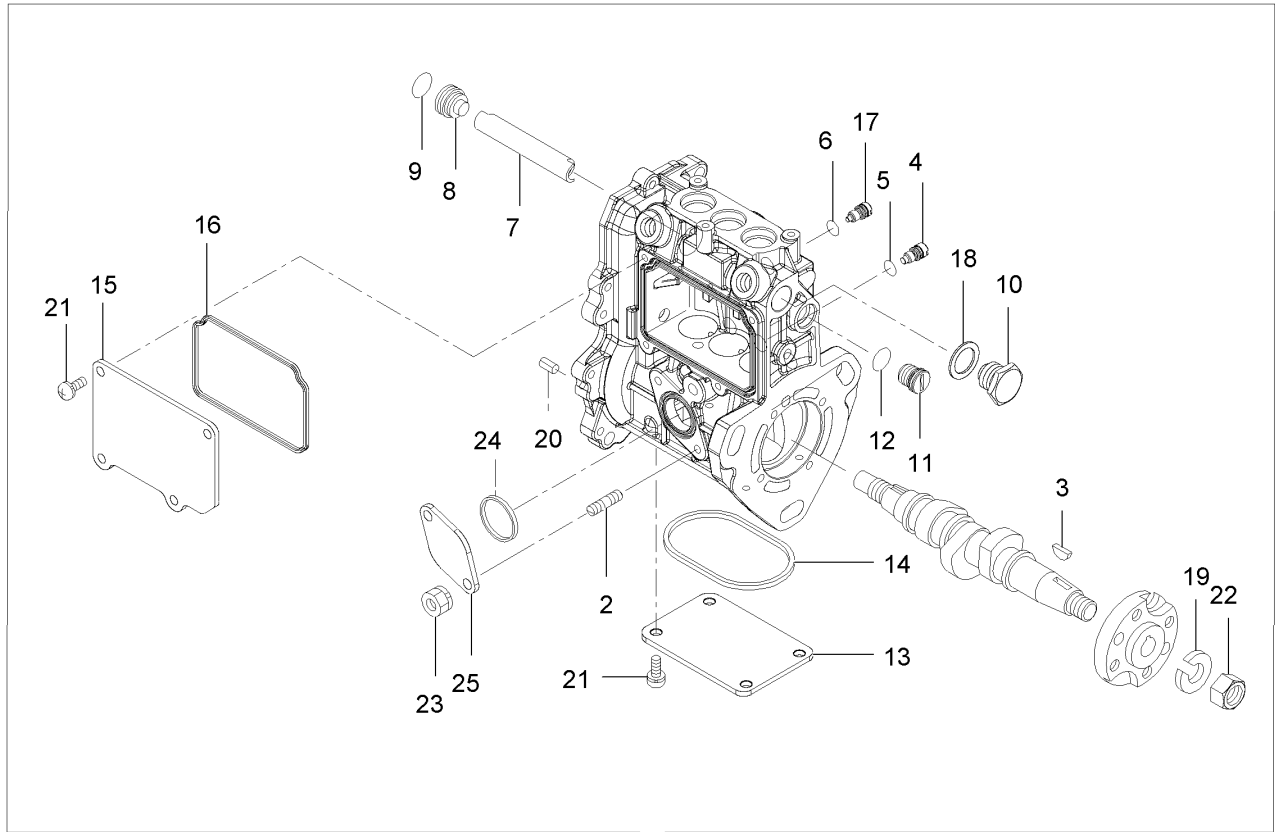
Cooling Water System Assembly



Cooling Water System Assembly (continued)

| <i>Ref.</i> | <i>Part Number</i> | <i>Qty.</i> | <i>Description</i> | <i>Ref.</i> | <i>Part Number</i> | <i>Qty.</i> | <i>Description</i> |
|-------------|--------------------|-------------|--------------------|-------------|--------------------|-------------|-----------------------|
| 1 | 135-4187 | 1 | Pump ASM-Water | 19 | 135-4196 | 1 | Fan-Cooling 1 |
| 3 | 135-4188 | 1 | Gasket | 20 | 135-4197 | 1 | Spacer-Fan |
| 4 | 135-4189 | 1 | Cover | 21 | 135-4059 | 4 | Bolt |
| 9 | 135-4190 | 1 | O-Ring | 22 | 135-4199 | 1 | Cover-Thermostat |
| 10 | 135-4191 | 1 | Joint-Pipe | 23 | 135-4200 | 1 | Thermostat |
| 11 | 133-2504 | 4 | Screw | 24 | 135-4201 | 1 | Bolt |
| 12 | 135-4192 | 1 | Plug | 25 | 135-4202 | 1 | Bolt |
| 13 | 135-4193 | 1 | Gasket-Pump, Water | 26 | 125-6953 | 1 | Plug |
| 14 | 125-7192 | 1 | Gasket | 27 | 125-7124 | 1 | Sensor-Thermostat, CW |
| 15 | 125-7212 | 1 | Bolt | 28 | 125-6979 | 2 | Gasket |
| 16 | 125-7220 | 3 | Bolt | 29 | 135-4203 | 1 | Joint |
| 17 | 135-4194 | 1 | V-Pulley | 30 | 125-7176 | 1 | Washer-Seal |
| 18 | 135-4195 | 1 | V-Belt | | | | |

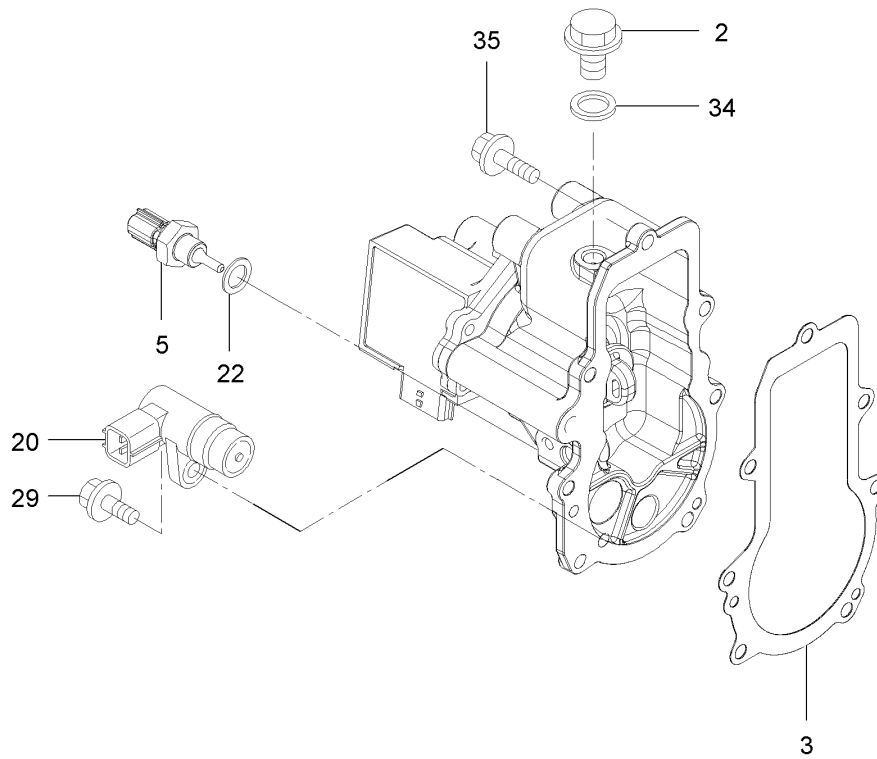
Fuel Injection Pump Assembly



Fuel Injection Pump Assembly (continued)

| <i>Ref.</i> | <i>Part Number</i> | <i>Qty.</i> | <i>Description</i> | <i>Ref.</i> | <i>Part Number</i> | <i>Qty.</i> | <i>Description</i> |
|-------------|--------------------|-------------|-----------------------|-------------|--------------------|-------------|--------------------|
| 1 | 135-4204 | 1 | Fie ASM | 15 | 135-4217 | 1 | Cover |
| 2 | 135-4205 | 2 | Bolt-Stud | 16 | 135-4218 | 1 | Gasket |
| 3 | 135-4206 | 1 | Key-Feather, Woodruff | 17 | 135-4219 | 1 | Stopper-Rack |
| 4 | 125-7156 | 3 | Stopper | 18 | 136-8236 | 1 | Washer-Seal |
| 5 | 135-4207 | 3 | O-Ring | 19 | 135-4220 | 1 | Washer-Spring |
| 6 | 135-4207 | 1 | O-Ring | 20 | 125-7183 | 2 | Pin-Spring |
| 7 | 135-4209 | 1 | Deflector | 21 | 135-4221 | 8 | Screw |
| 8 | 135-4210 | 1 | Plug-Deflector | 22 | 133-2506 | 1 | Nut |
| 9 | 135-4211 | 1 | O-Ring | 23 | 135-4222 | 2 | Nut |
| 10 | 135-4212 | 1 | Plug-Deflector | 24 | 135-4223 | 1 | Gasket |
| 11 | 135-4213 | 1 | Plug-Rack | 25 | 135-4224 | 1 | Cover-Pump |
| 12 | 135-4214 | 1 | O-Ring | 26 | 135-4225 | 1 | Support |
| 13 | 135-4215 | 1 | Cover | 27 | 125-7213 | 2 | Bolt |
| 14 | 135-4216 | 1 | Gasket | 28 | 125-7595 | 2 | Bolt |

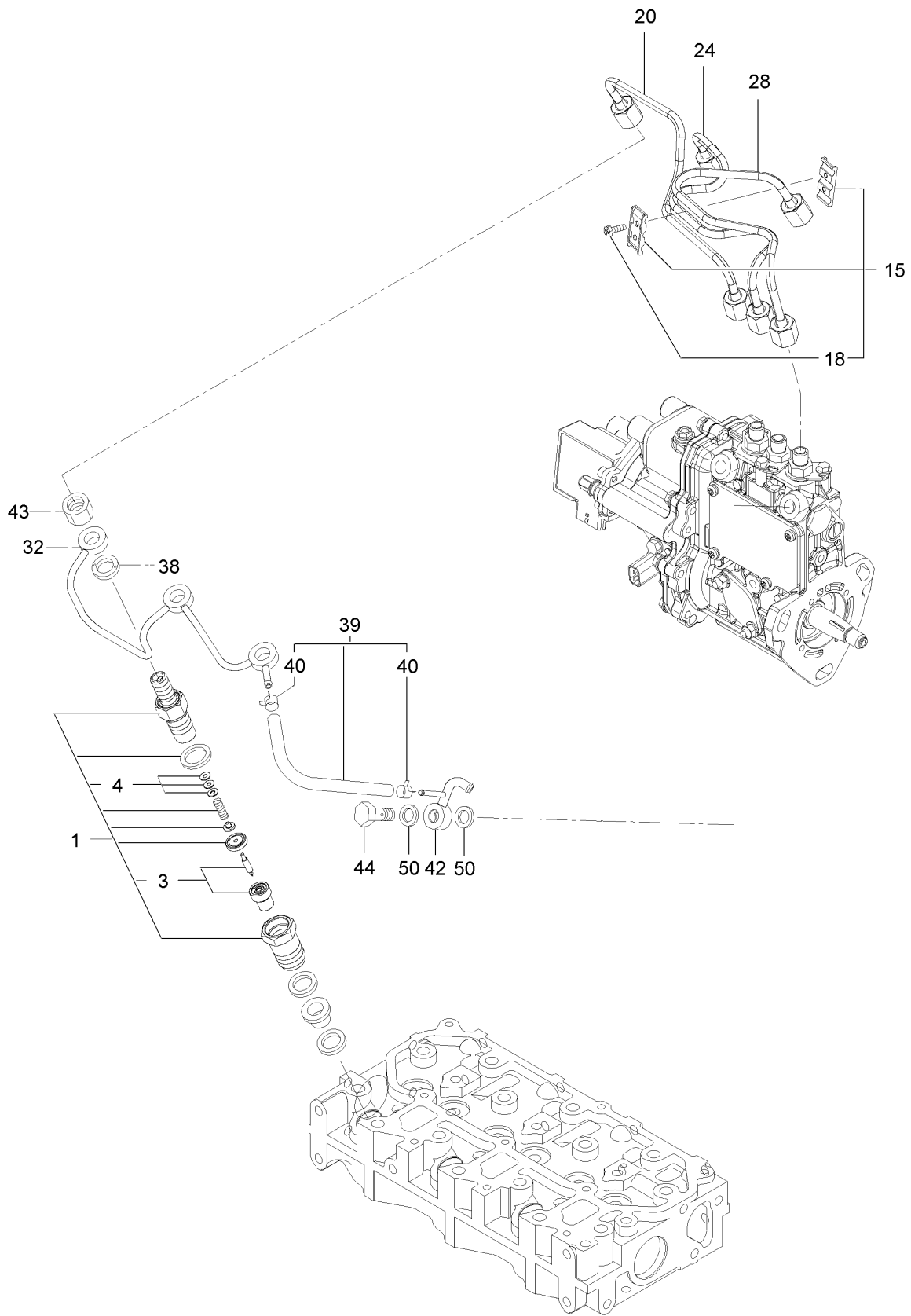
Governor Assembly



Governor Assembly (continued)

| <i>Ref.</i> | <i>Part Number</i> | <i>Qty.</i> | <i>Description</i> | <i>Ref.</i> | <i>Part Number</i> | <i>Qty.</i> | <i>Description</i> |
|-------------|--------------------|-------------|--------------------|-------------|--------------------|-------------|--------------------|
| 2 | 135-4226 | 1 | Plug | 22 | 125-7176 | 1 | Washer-Seal |
| 3 | 135-4227 | 1 | Gasket | 29 | 125-7208 | 1 | Bolt |
| 5 | 135-4228 | 1 | Sensor-Oil Temp | 34 | 125-7175 | 1 | Washer-Seal |
| 20 | 125-7152 | 1 | Sensor | 35 | 125-7209 | 7 | Bolt |

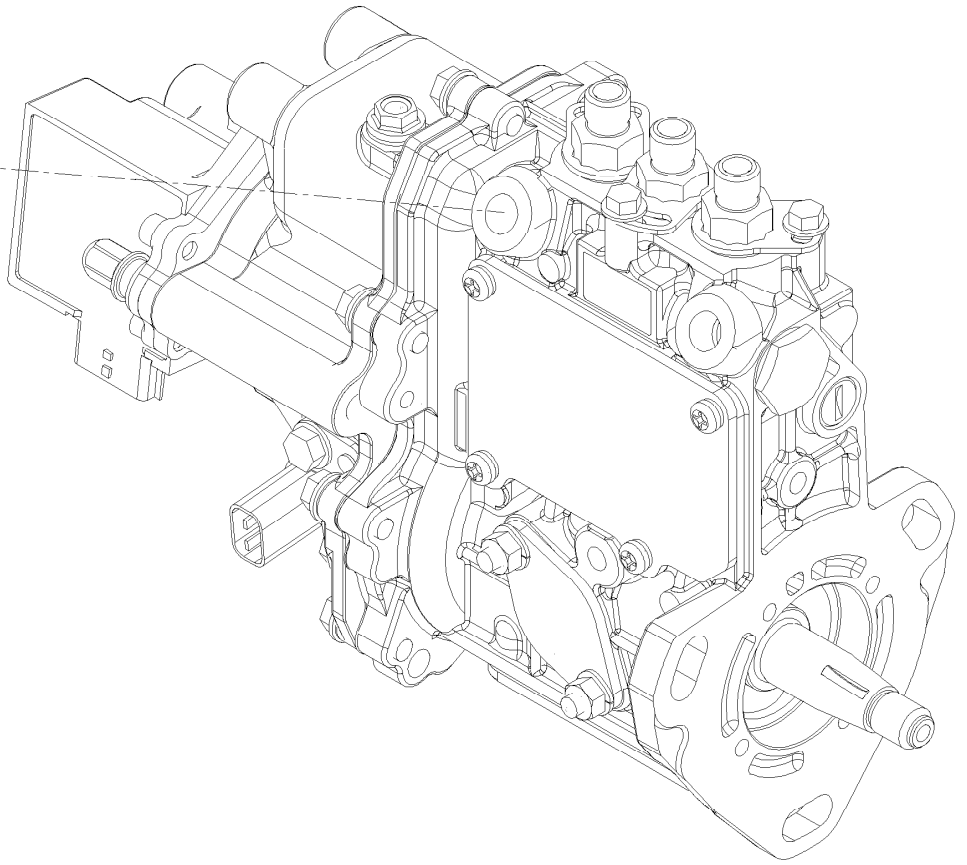
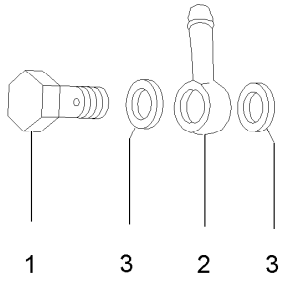
Fuel Injection Valve Assembly



Fuel Injection Valve Assembly (continued)

| <i>Ref.</i> | <i>Part Number</i> | <i>Qty.</i> | <i>Description</i> | <i>Ref.</i> | <i>Part Number</i> | <i>Qty.</i> | <i>Description</i> |
|-------------|--------------------|-------------|--------------------|-------------|--------------------|-------------|--------------------|
| 1 | 135-4229 | 3 | Nozzle ASM | 32 | 135-4236 | 1 | Pipe ASM |
| 3 | 135-4230 | 3 | Nozzle ASM | 38 | 135-4237 | 3 | Gasket |
| 4 | 135-4231 | 3 | Adjusting Shim Set | 39 | 135-4238 | 1 | Hose ASM |
| 15 | 135-4232 | 1 | Retainer-Pipe | 40 | 136-8225 | 2 | Clamp-Hose |
| 18 | 125-7027 | 2 | Bolt | 42 | 135-4239 | 1 | Joint-Over Flow |
| 20 | 135-4233 | 1 | Pipe ASM | 43 | 135-4240 | 3 | Nut-Nozzle |
| 24 | 135-4234 | 1 | Pipe ASM | 44 | 135-4241 | 1 | Check Valve ASM |
| 28 | 135-4235 | 1 | Pipe ASM | 50 | 125-7176 | 2 | Washer-Seal |

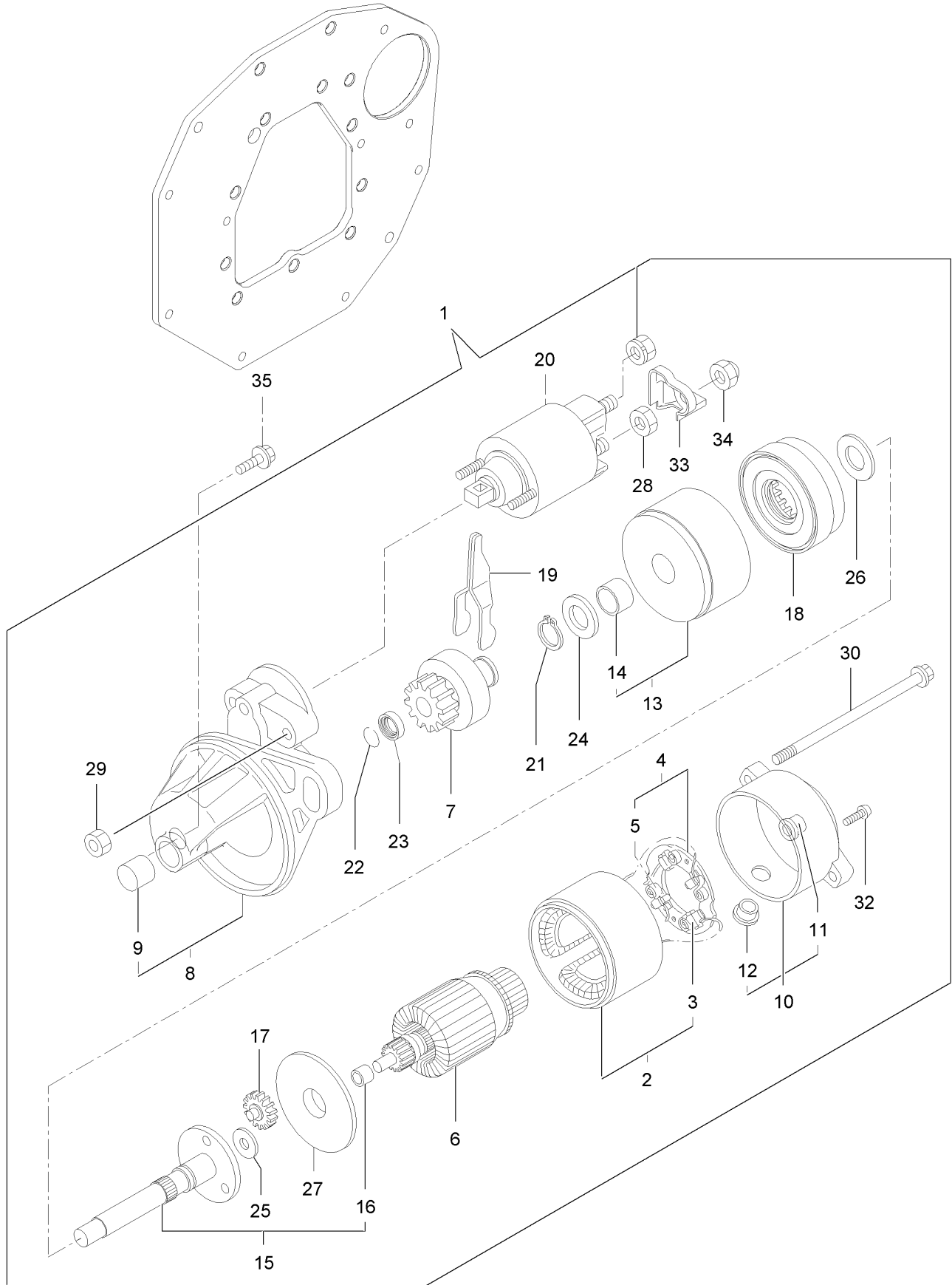
Fuel Pipe Assembly



Fuel Pipe Assembly (continued)

| <i>Ref.</i> | <i>Part Number</i> | <i>Qty.</i> | <i>Description</i> |
|-------------|--------------------|-------------|--------------------|
| 1 | 135-4242 | 1 | Bolt-Joint, Pipe |
| 2 | 135-4243 | 1 | Joint-Pipe |
| 3 | 125-7176 | 2 | Washer-Seal |

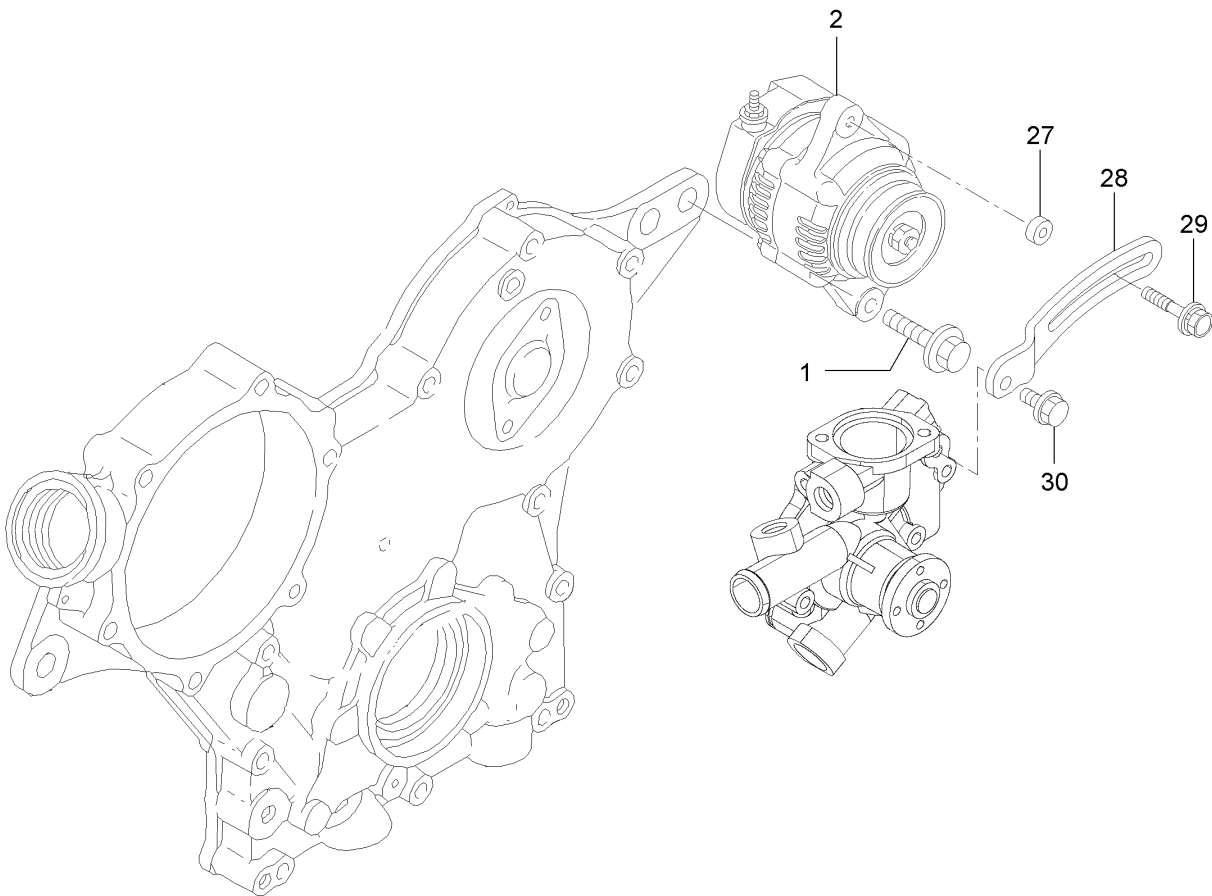
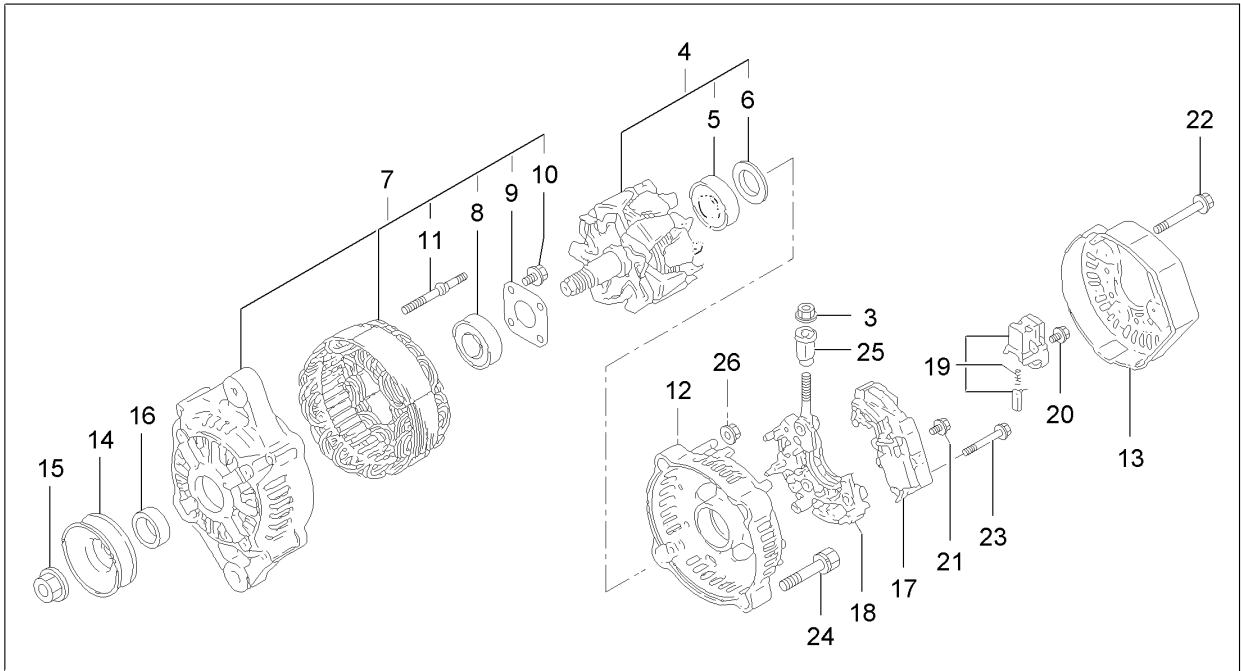
Starting Motor Assembly



Starting Motor Assembly (continued)

| <i>Ref.</i> | <i>Part Number</i> | <i>Qty.</i> | <i>Description</i> | <i>Ref.</i> | <i>Part Number</i> | <i>Qty.</i> | <i>Description</i> |
|-------------|--------------------|-------------|--------------------|-------------|--------------------|-------------|--------------------|
| 1 | 135-4244 | 1 | Starter ASM | 18 | 135-4261 | 1 | Gear |
| 2 | 135-4245 | 1 | Yoke ASM | 19 | 135-4262 | 1 | Lever |
| 3 | 135-4246 | 2 | Starter Kit | 20 | 135-4263 | 1 | Switch ASM |
| 4 | 135-4247 | 1 | Holder ASM | 21 | 135-4264 | 1 | Ring |
| 5 | 135-4248 | 4 | Spring | 22 | 135-4265 | 1 | Ring |
| 6 | 135-4249 | 1 | Armature ASM | 23 | 135-4266 | 1 | Nut |
| 7 | 135-4250 | 1 | Clutch ASM | 24 | 135-4267 | 1 | Washer |
| 8 | 135-4251 | 1 | Housing ASM | 25 | 135-4268 | 1 | Washer |
| 9 | 135-4252 | 1 | Bearing, Needle 1 | 26 | 135-4269 | 1 | Washer |
| 10 | 135-4253 | 1 | Frame ASM | 27 | 135-4270 | 1 | Plate |
| 11 | 135-4254 | 1 | Bearing | 28 | 135-4271 | 1 | Nut |
| 12 | 135-4255 | 1 | Cover | 29 | 135-4272 | 2 | Nut |
| 13 | 135-4256 | 1 | Bearing ASM | 30 | 135-4273 | 2 | Bolt-Through |
| 14 | 135-4257 | 1 | Bearing | 32 | 135-4274 | 2 | Screw |
| 15 | 135-4258 | 1 | Shaft Assy 1 | 33 | 135-4275 | 1 | Cover-Terminal |
| 16 | 135-4259 | 1 | Bearing | 34 | 135-4276 | 1 | Nut |
| 17 | 135-4260 | 3 | Gear | 35 | 127-3179 | 2 | Bolt |

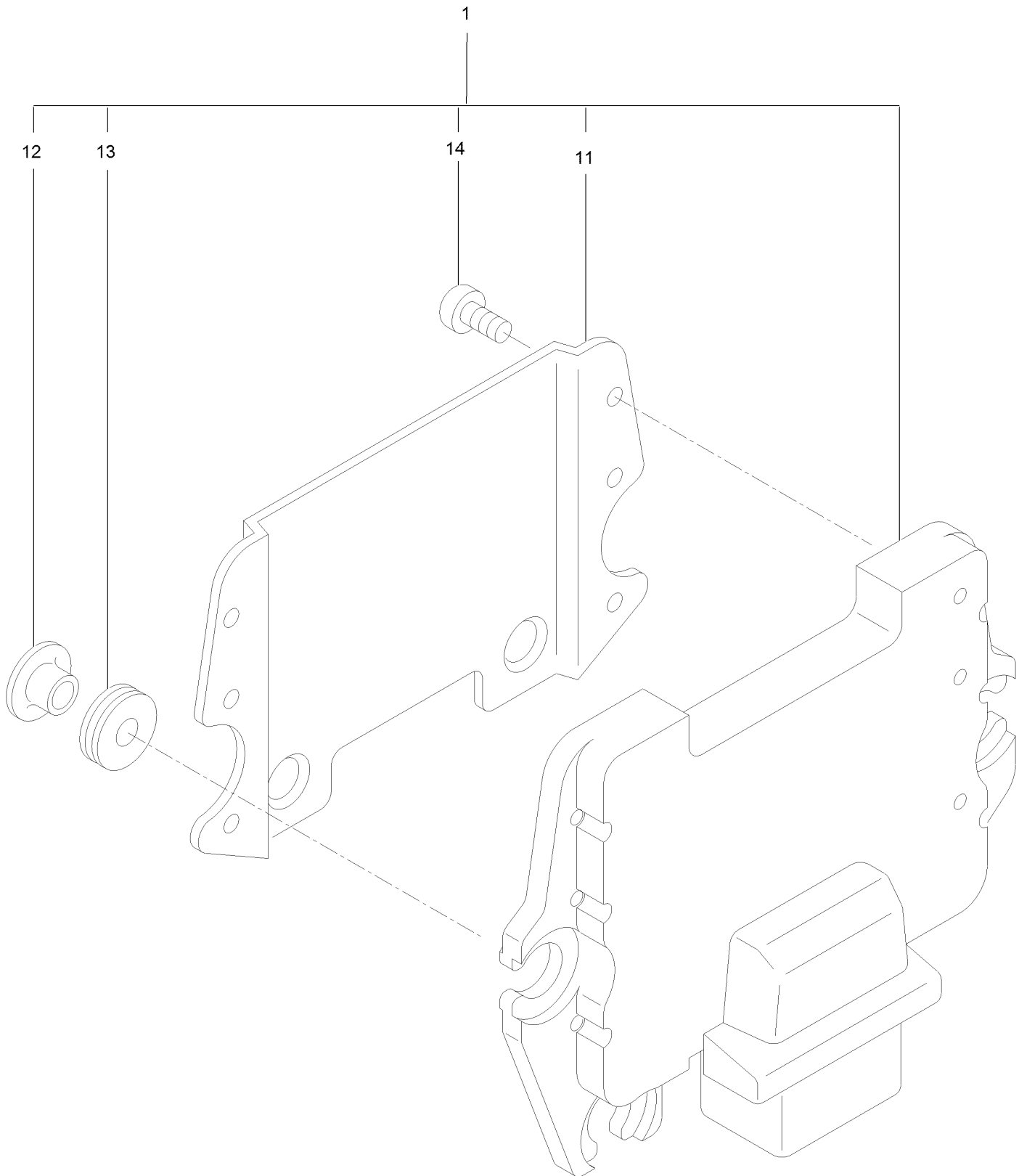
Generator Assembly



Generator Assembly (continued)

| <i>Ref.</i> | <i>Part Number</i> | <i>Qty.</i> | <i>Description</i> | <i>Ref.</i> | <i>Part Number</i> | <i>Qty.</i> | <i>Description</i> |
|-------------|--------------------|-------------|--------------------|-------------|--------------------|-------------|--------------------|
| 1 | 135-4277 | 1 | Bolt | 16 | 127-2957 | 1 | Collar |
| 2 | 135-4278 | 1 | Alternator | 17 | 135-4026 | 1 | Regulator ASM |
| 3 | 127-3190 | 1 | Nut | 18 | 127-3848 | 1 | Holder |
| 4 | 127-3843 | 1 | Rotor ASM | 19 | 127-2993 | 1 | Holder |
| 5 | 127-2983 | 1 | Bearing-Ball | 20 | 127-2965 | 6 | Screw |
| 6 | 127-2962 | 1 | Cover | 21 | 127-2966 | 1 | Screw |
| 7 | 135-4025 | 1 | Frame ASM | 22 | 127-2967 | 3 | Bolt |
| 8 | 127-2958 | 1 | Bearing-Ball | 23 | 127-2968 | 2 | Screw |
| 9 | 127-2959 | 1 | Plate-Retainer | 24 | 127-2969 | 2 | Bolt |
| 10 | 127-2960 | 4 | Screw | 25 | 127-2970 | 1 | Bushing-Insulation |
| 11 | 127-2961 | 2 | Stud | 26 | 127-2971 | 2 | Nut |
| 12 | 127-3845 | 1 | Frame | 27 | 125-6947 | 1 | Spacer |
| 13 | 127-3846 | 1 | Cover | 28 | 135-4279 | 1 | Adjuster-Belt |
| 14 | 127-2954 | 1 | Pulley | 29 | 125-7134 | 1 | Bolt |
| 15 | 127-2955 | 1 | Nut | 30 | 125-7595 | 1 | Bolt |

Electronic Control Unit Assembly

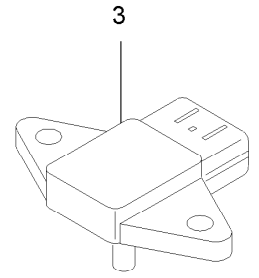
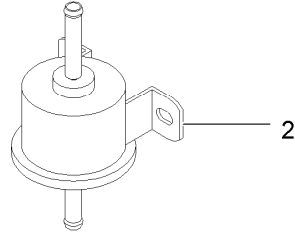
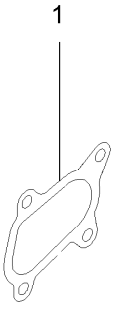


Electronic Control Unit Assembly (continued)

| <i>Ref.</i> | <i>Part Number</i> | <i>Qty.</i> | <i>Description</i> | <i>Ref.</i> | <i>Part Number</i> | <i>Qty.</i> | <i>Description</i> |
|-------------|--------------------|-------------|--------------------|-------------|--------------------|-------------|--------------------|
| 1 | 135-4280 | 1 | Ecu ASM ● | 13 | 125-6908 | 3 | Absorber |
| 11 | 125-7129 | 1 | Shield | 14 | 125-7187 | 6 | Screw |
| 12 | 125-7130 | 3 | Collar | | | | |

● Contact an Authorized Service Dealer

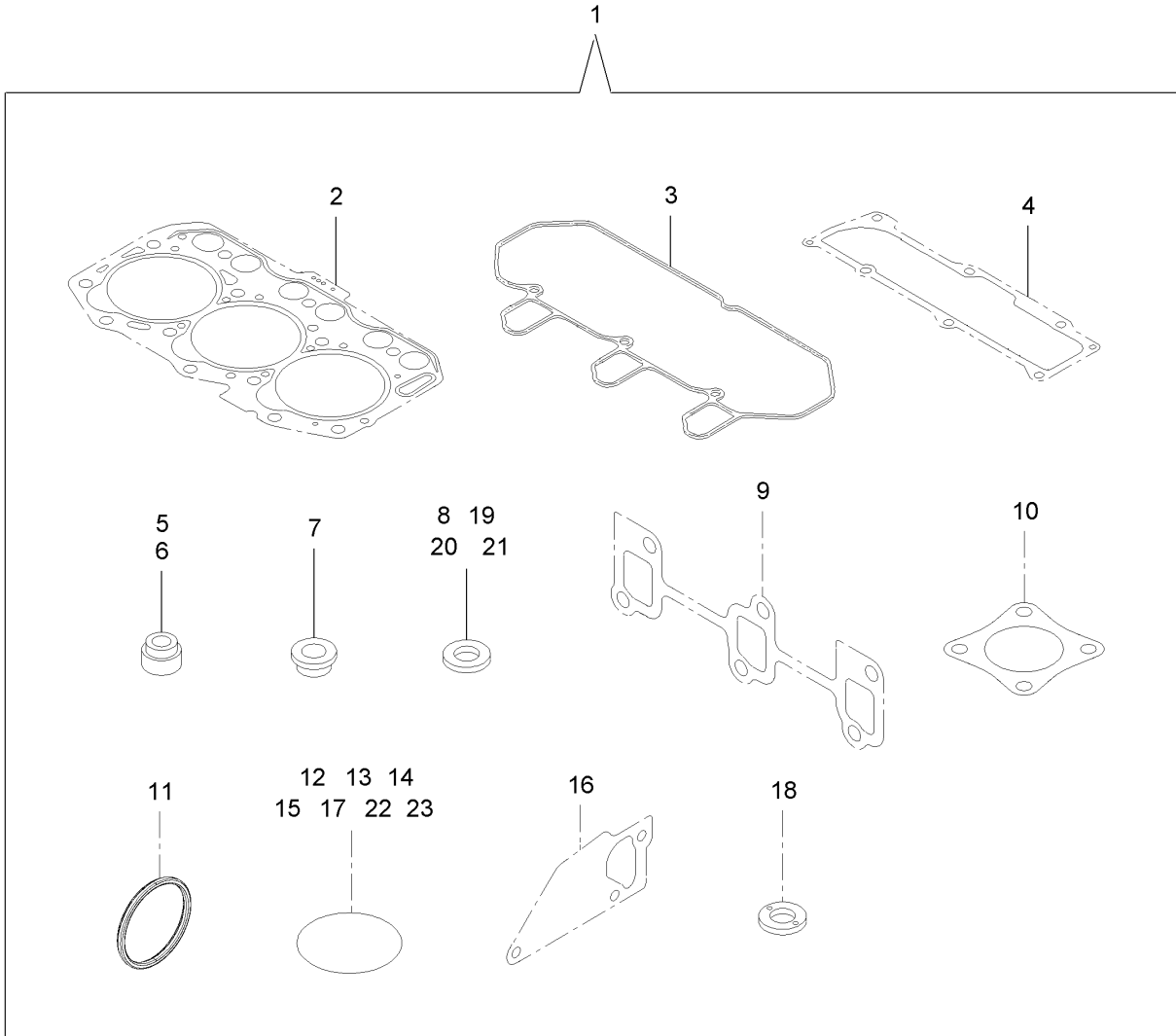
Fuel System Assembly



Fuel System Assembly (continued)

| <i>Ref.</i> | <i>Part Number</i> | <i>Qty.</i> | <i>Description</i> |
|-------------|--------------------|-------------|---------------------|
| 1 | 127-3779 | 1 | Gasket-Out, T C |
| 2 | 121-5613 | 1 | Pump-Fuel, Electric |
| 3 | 135-4282 | 1 | Sensor |

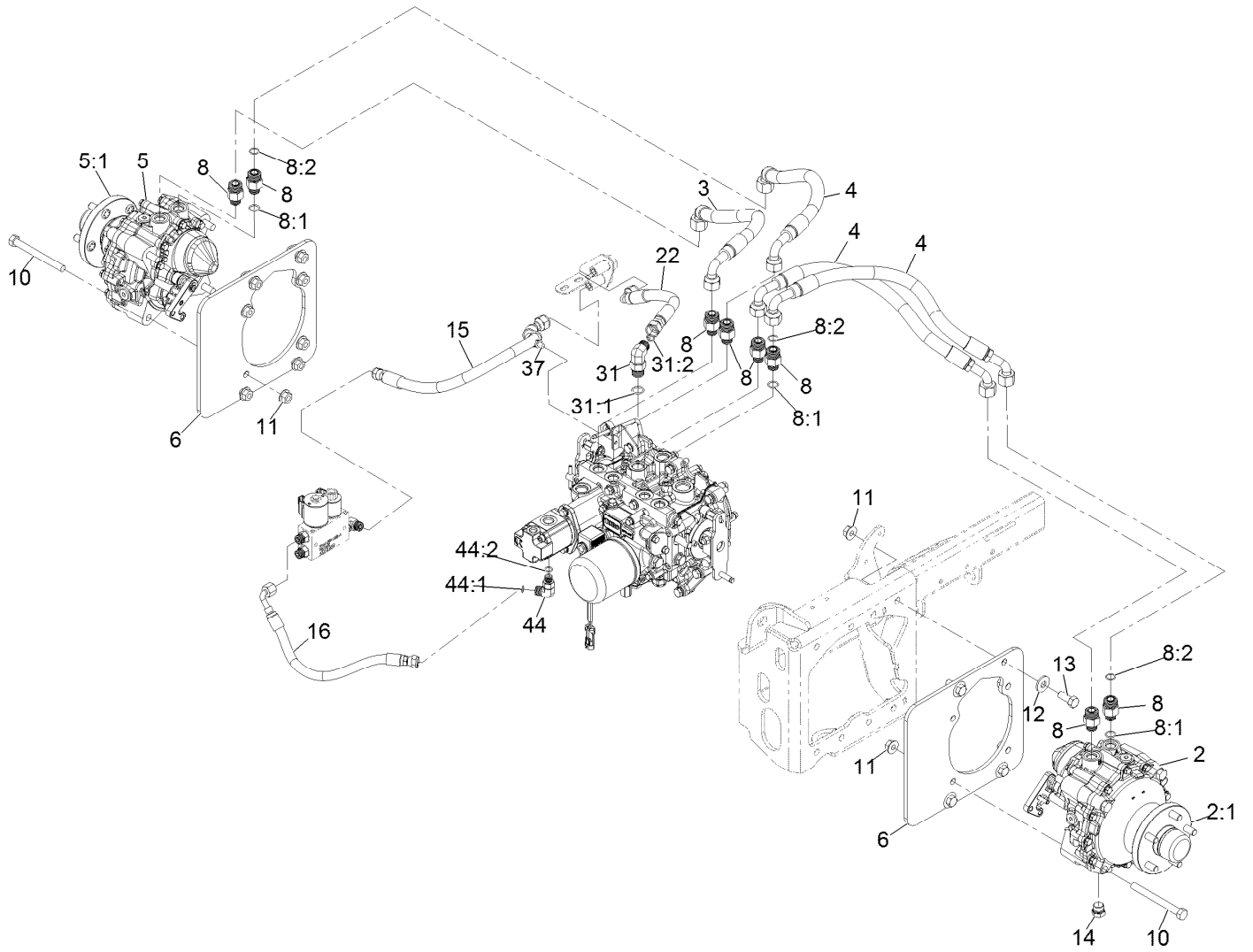
Gasket Set



Gasket Set (continued)

| <i>Ref.</i> | <i>Part Number</i> | <i>Qty.</i> | <i>Description</i> | <i>Ref.</i> | <i>Part Number</i> | <i>Qty.</i> | <i>Description</i> |
|-------------|--------------------|-------------|--------------------------------|-------------|--------------------|-------------|--------------------|
| 1 | 135-4283 | 1 | Gasket Kit | 13 | 127-2973 | 1 | O-Ring |
| 2 | 135-4038 | 1 | Gasket Set-Head | 14 | 135-4058 | 3 | O-Ring |
| 3 | 135-4093 | 1 | Gasket-Cover, Cylinder Head | 15 | 135-4293 | 1 | O-Ring |
| 4 | 135-4095 | 1 | Gasket | 16 | 135-4193 | 1 | Gasket-Pump, Water |
| 5 | 125-6915 | 3 | Seal-Stem, Valve | 17 | 125-6957 | 1 | O-Ring |
| 6 | 125-6916 | 3 | Seal-Stem, Valve | 18 | 135-4237 | 3 | Gasket |
| 7 | 135-4069 | 3 | Protector-Nozzle | 19 | 125-7174 | 4 | Washer-Seal |
| 8 | 135-4070 | 6 | Gasket-Nozzle | 20 | 125-7176 | 4 | Washer-Seal |
| 9 | 135-4107 | 1 | Gasket-Manifold, Exhaust | 21 | 125-7192 | 1 | Gasket |
| 10 | 135-4290 | 1 | Gasket-Silencer | 22 | 125-7197 | 2 | O-Ring |
| 11 | 135-4160 | 1 | Gasket-Washer | 23 | 135-4295 | 1 | O-Ring |
| 12 | 125-6909 | 1 | O-Ring | | | | |

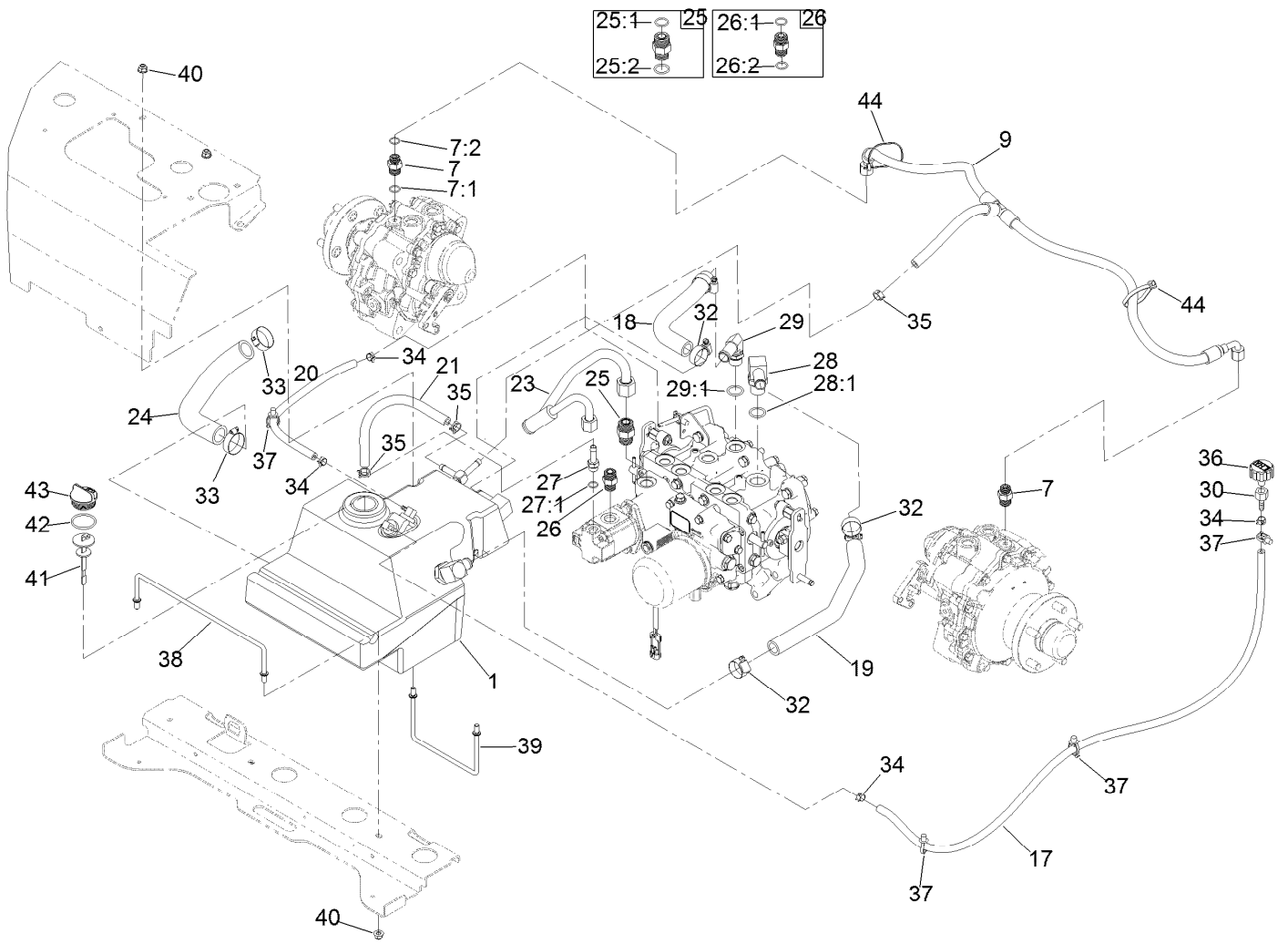
Hydraulic Drive Assembly



Hydraulic Drive Assembly (continued)

| <i>Ref.</i> | <i>Part Number</i> | <i>Qty.</i> | <i>Description</i> | <i>Ref.</i> | <i>Part Number</i> | <i>Qty.</i> | <i>Description</i> |
|-------------|--------------------|-------------|------------------------|-------------|--------------------|-------------|-------------------------|
| 2 | 126-8134 | 1 | Motor-HYD, LH | 13 | 325-5 | 8 | Screw-HH 1/2-13 X 1 1/4 |
| 2:1 | 135-5333 | 1 | 5 Stud Wheel Hub Kit | 14 | 142-2435 | 2 | Plug, Magnetic-ORB-8 |
| 3 | 126-8686 | 1 | Hose ASM | 15 | 126-8685 | 1 | Hose ASM |
| 4 | 126-8687 | 3 | Hose ASM | 16 | 126-8684 | 1 | Hose ASM |
| 5 | 126-8133 | 1 | Motor-HYD, RH | 22 | 126-8682 | 1 | Hose ASM |
| 5:1 | 135-5333 | 1 | 5 Stud Wheel Hub Kit | 31 | 340-105 | 1 | Fitting-Elbow, 90 DEG |
| 6 | 126-7469-03 | 2 | Plate-Motor | 31:1 | 237-80 | 1 | O-Ring |
| 8 | 340-155 | 8 | Fitting-Straight | 31:2 | 237-30 | 1 | O-Ring |
| 8:1 | 237-79 | 1 | O-Ring | 37 | 32180-030 | 1 | Clip-Tie |
| 8:2 | 237-151 | 1 | O-Ring | 44 | 340-77 | 1 | Fitting-Elbow, 90 DEG |
| 10 | 325-19 | 8 | Screw-HH 1/2-13 X 5 | 44:1 | 237-22 | 1 | O-Ring |
| 11 | 32128-49 | 16 | Nut-Whizlock 1/2-13 | 44:2 | 237-42 | 1 | O-Ring |
| 12 | 1-513435 | 8 | Washer-Spring Disc 1/2 | | | | |

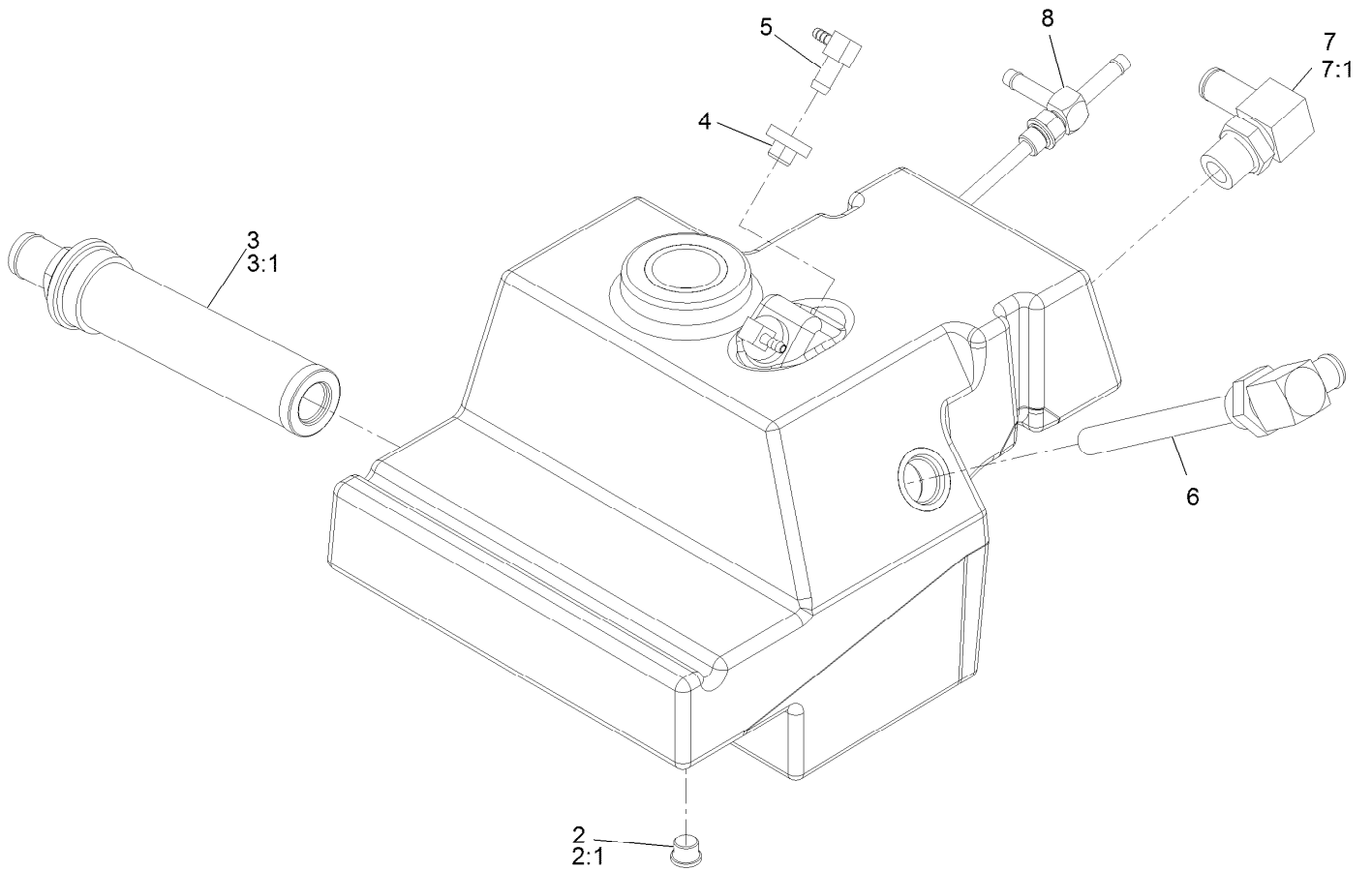
Hydraulic Assembly



Hydraulic Assembly (continued)

| <i>Ref.</i> | <i>Part Number</i> | <i>Qty.</i> | <i>Description</i> | <i>Ref.</i> | <i>Part Number</i> | <i>Qty.</i> | <i>Description</i> |
|-------------|--------------------|-------------|--------------------|-------------|--------------------|-------------|---------------------------|
| 1 | 126-6764 | 1 | HYD Reservoir ASM | 27:1 | 237-42 | 1 | O-Ring |
| 7 | 340-3 | 2 | Fitting-Straight | 28 | 353-987 | 1 | Fitting-Elbow, 90 |
| 7:1 | 237-22 | 1 | O-Ring | 28:1 | 237-81 | 1 | O-Ring |
| 7:2 | 237-79 | 1 | O-Ring | 29 | 87-8170 | 1 | Fitting-90 |
| 9 | 135-3731 | 1 | Tee Hose ASM | 29:1 | 237-80 | 1 | O-Ring |
| 17 | 126-6776 | 1 | Hose | 30 | 354-95 | 1 | Fitting-Straight |
| 18 | 126-6767 | 1 | Hose-Return | 32 | 2412-129 | 4 | Clamp-Hose |
| 19 | 126-6768 | 1 | Hose-Return | 33 | 2412-34 | 2 | Clamp-Hose |
| 20 | 126-6778 | 1 | Hose | 34 | 2412-98 | 4 | Clamp-Hose |
| 21 | 126-6766 | 1 | Hose | 35 | 103-1988 | 3 | Clamp-Hose 11/16 |
| 23 | 126-8688 | 1 | Tube ASM | 36 | 68-6150 | 1 | Breather |
| 24 | 126-6774 | 1 | Hose-Suction | 37 | 32180-030 | 4 | Clip-Tie |
| 25 | 340-7 | 1 | Fitting-Straight | 38 | 126-7547 | 1 | Rod-Support, HYD Tank |
| 25:1 | 237-65 | 1 | O-Ring | 39 | 126-7546 | 1 | Rod-Support, HYD Tank |
| 25:2 | 237-80 | 1 | O-Ring | 40 | 104-8300 | 4 | Nut-Nyloc 5/16-18 Flg |
| 26 | 340-4 | 1 | Fitting-Straight | 41 | 112-6365 | 1 | Dipstick |
| 26:1 | 237-30 | 1 | O-Ring | 42 | 94-8166 | 1 | O-Ring |
| 26:2 | 237-79 | 1 | O-Ring | 43 | 93-7498 | 1 | Plug-Plastic |
| 27 | 103-1912 | 1 | Adapter-Straight | 44 | 1-303335 | 2 | Tie-Cable 7 15/16 (Large) |

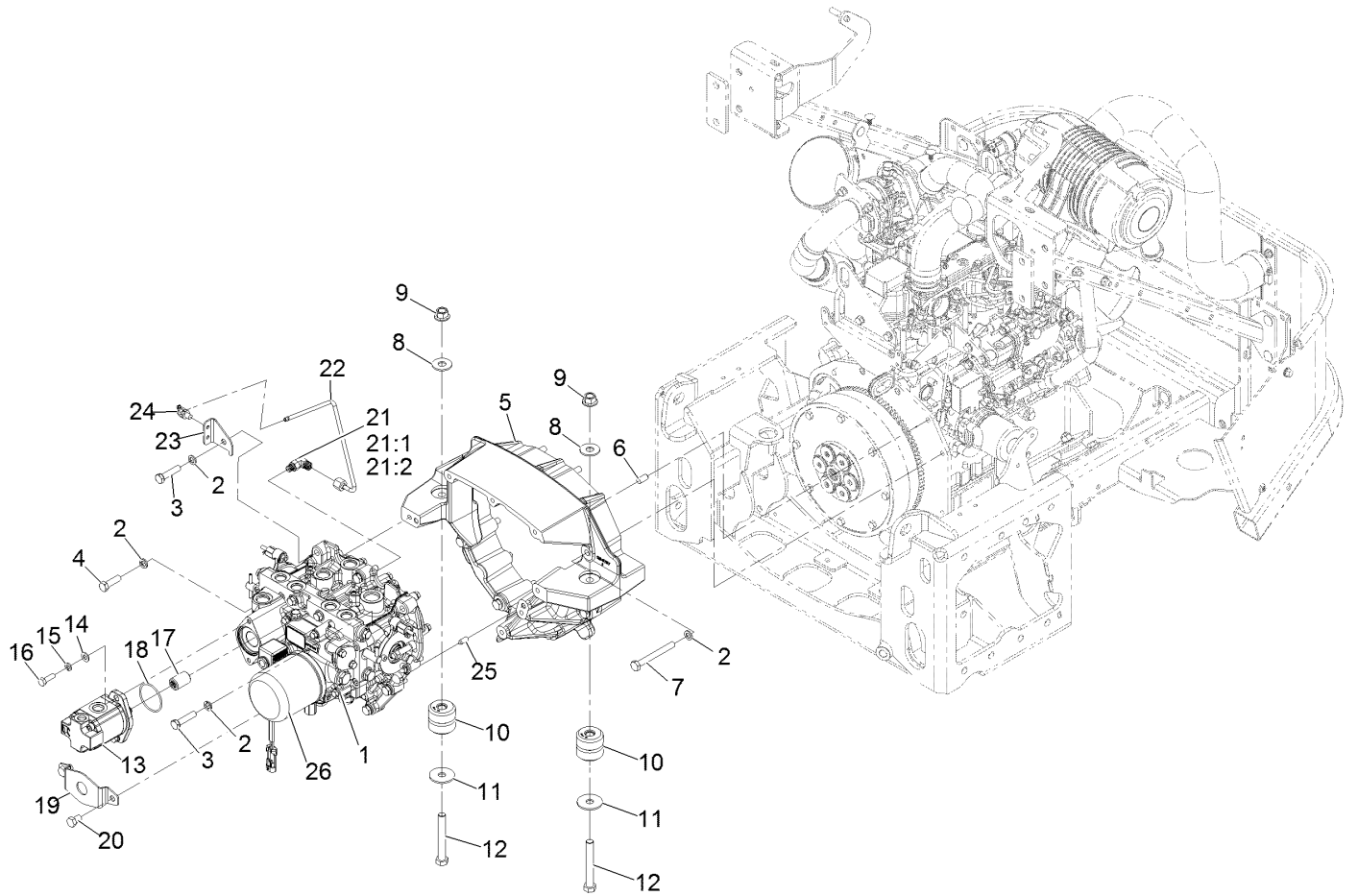
Hydraulic Reservoir Assembly



Hydraulic Reservoir Assembly (continued)

| <i>Ref.</i> | <i>Part Number</i> | <i>Qty.</i> | <i>Description</i> | <i>Ref.</i> | <i>Part Number</i> | <i>Qty.</i> | <i>Description</i> |
|-------------|--------------------|-------------|--------------------|-------------|--------------------|-------------|------------------------|
| 2 | 353-989 | 1 | Plug-Hex, Hollow | 5 | 104-5228 | 2 | Fitting-Elbow, 90 DEG |
| 2:1 | 237-42 | 1 | O-Ring | 6 | 126-6782 | 1 | Fitting-Standpipe |
| 3 | 104-7546 | 1 | Tank Strainer ASM | 7 | 353-987 | 1 | Fitting-Elbow, 90 |
| 3:1 | 340-136 | 1 | O-Ring | 7:1 | 237-81 | 1 | O-Ring |
| 4 | 46-6560 | 2 | Bushing | 8 | 135-3740 | 1 | Fitting-Tee, Drop Tube |

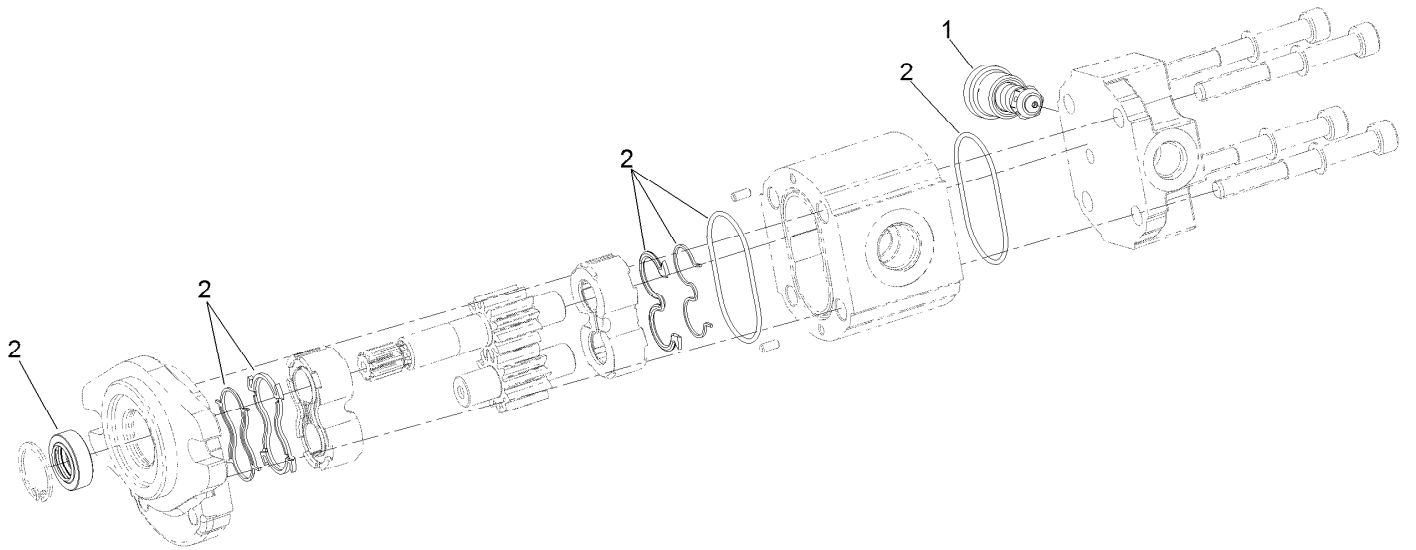
Transmission Assembly



Transmission Assembly (continued)

| <i>Ref.</i> | <i>Part Number</i> | <i>Qty.</i> | <i>Description</i> | <i>Ref.</i> | <i>Part Number</i> | <i>Qty.</i> | <i>Description</i> |
|-------------|--------------------|-------------|-------------------------|-------------|--------------------|-------------|-------------------------|
| 1 | 131-5510 | 1 | Transmisson ASM | 15 | 3253-4 | 2 | Washer-Lock 5/16 |
| 2 | 48-9590 | 14 | Washer-Lock | 16 | 33114-025 | 2 | Screw-HH M8-1.25 X 25Mm |
| 3 | 33115-045 | 6 | Screw-HH | 17 | 108-9920 | 1 | Coupler-Spline |
| 4 | 33115-035 | 1 | Screw-HH M10-1.5 X 25Mm | 18 | 108-9919 | 1 | O-Ring |
| 5 | 126-8786 | 1 | Housing-Flywheel | 19 | 114-4088 | 1 | Shield-Seal |
| 6 | 126-8893 | 2 | Pin-Dowel | 20 | 33115-016 | 2 | Screw-HH |
| 7 | 33115-090 | 7 | Screw-HH | 21 | 340-132 | 1 | Fitting-Elbow, 90 DEG |
| 8 | 3256-6 | 2 | Washer | 21:1 | 237-78 | 1 | O-Ring |
| 9 | 99-5107 | 2 | Nut-Lock 1/2-13 | 21:2 | 237-21 | 1 | O-Ring |
| 10 | 126-6095 | 2 | Mount-Isolator | 22 | 126-8689 | 1 | Tube ASM |
| 11 | 86-1990 | 2 | Washer | 23 | 126-6806 | 1 | Support-Tube |
| 12 | 325-15 | 2 | Screw-HH | 24 | 32180-030 | 1 | Clip-Tie |
| 13 | 112-9542 | 1 | HYD Gear Pump ASM | 25 | 87-1910 | 2 | Pin-Dowel |
| 14 | 3256-23 | 2 | Washer-5/16 SAE | 26 | 135-2252 | 1 | Filter-Oil, HYD |

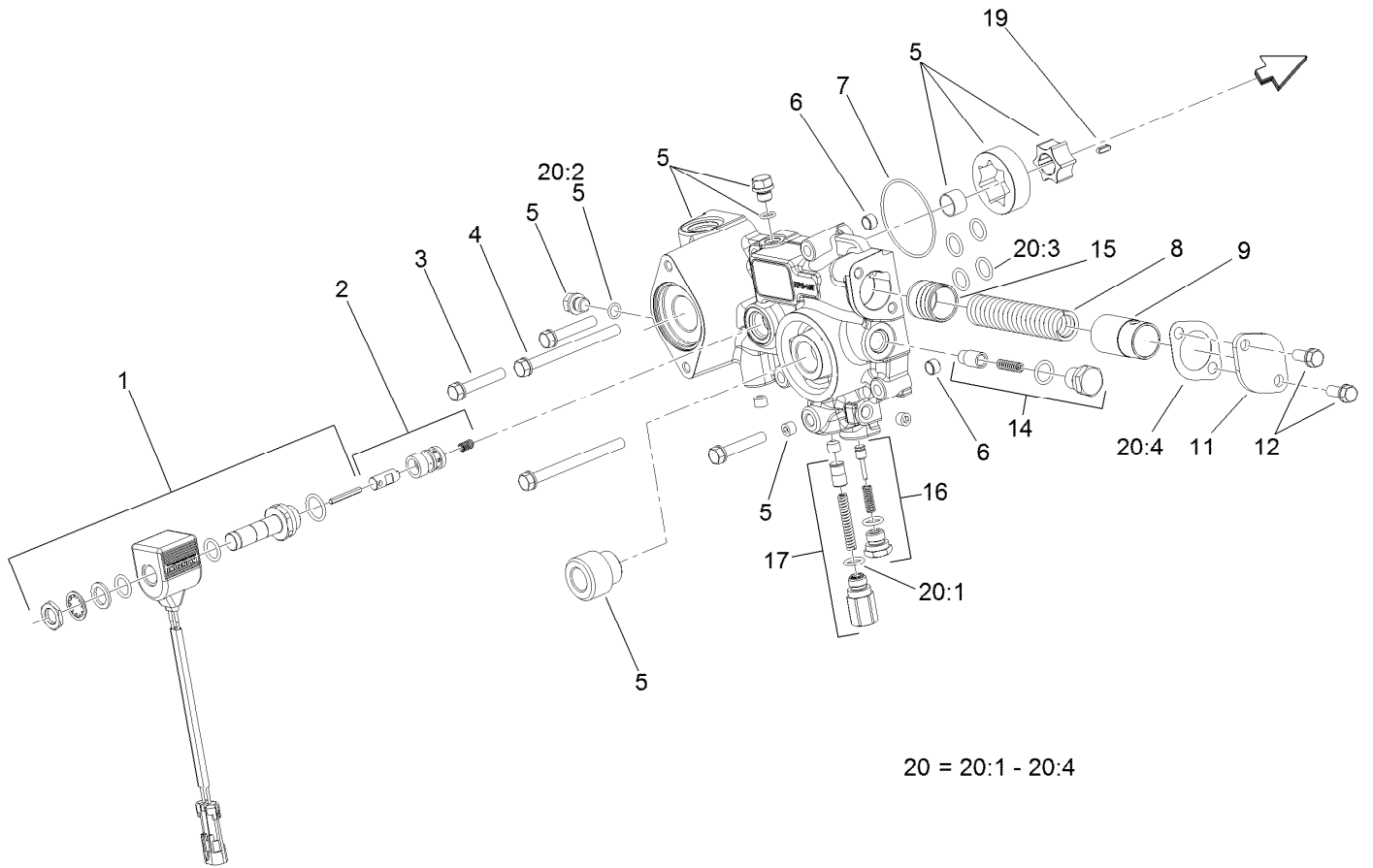
Hydraulic Gear Pump Assembly



Hydraulic Gear Pump Assembly (continued)

| <i>Ref.</i> | <i>Part Number</i> | <i>Qty.</i> | <i>Description</i> |
|-------------|--------------------|-------------|--------------------|
| 1 | 112-0198 | 1 | Valve |
| 2 | 112-0199 | 1 | Seal Kit |

Transmission Assembly (cont.) Charge Pump Housing Assembly



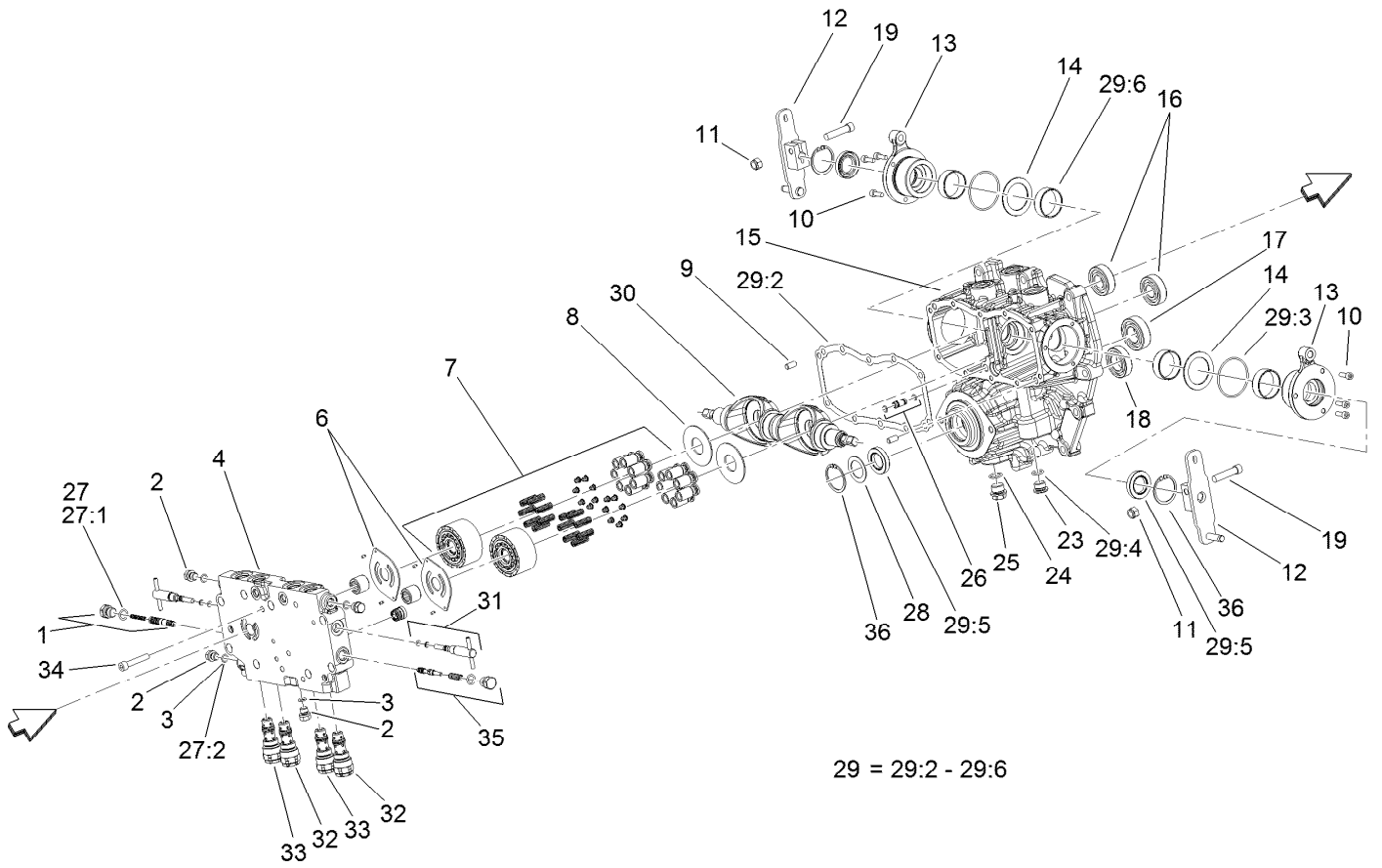
20 = 20:1 - 20:4

Transmission Assembly (cont.) Charge Pump Housing Assembly (continued)

| <i>Ref.</i> | <i>Part Number</i> | <i>Qty.</i> | <i>Description</i> | <i>Ref.</i> | <i>Part Number</i> | <i>Qty.</i> | <i>Description</i> |
|-------------|--------------------|-------------|---------------------|-------------|--------------------|-------------|-------------------------|
| 1 | 107-0851 | 1 | Solenoid ASM | 14 | 107-0843 | 1 | Filter Bypass Valve ASM |
| 2 | 107-0850 | 1 | Solenoid Valve ASM | 15 | 107-0818 | 1 | Piston |
| 3 | 107-0863 | 3 | Bolt | 16 | 107-0842 | 1 | Charge Relief Valve ASM |
| 4 | 107-0864 | 2 | Bolt | 17 | 107-0841 | 1 | Pressure Valve ASM |
| 5 | 107-0840 | 1 | Pump Body ASM | 19 | 107-0865 | 1 | Key |
| 6 | 107-0848 | 2 | Pin | 20 | 107-0855 | 1 | Charge Pump Seal Kit |
| 7 | 107-0856 | 1 | O-Ring | 20:1 | 93-0418 | 2 | O-Ring |
| 8 | 107-0845 | 1 | Spring | 20:2 | 107-0817 | 2 | O Ring-Plug |
| 9 | 107-0844 | 1 | Collar | 20:3 | 104-3298 | 6 | Packing |
| 11 | 107-0846 | 1 | Cover | 20:4 | 107-0847 | 1 | Gasket |
| 12 | 93-0457 | 2 | Bolt And Washer ASM | | | | |

Transmission Assembly (cont.)

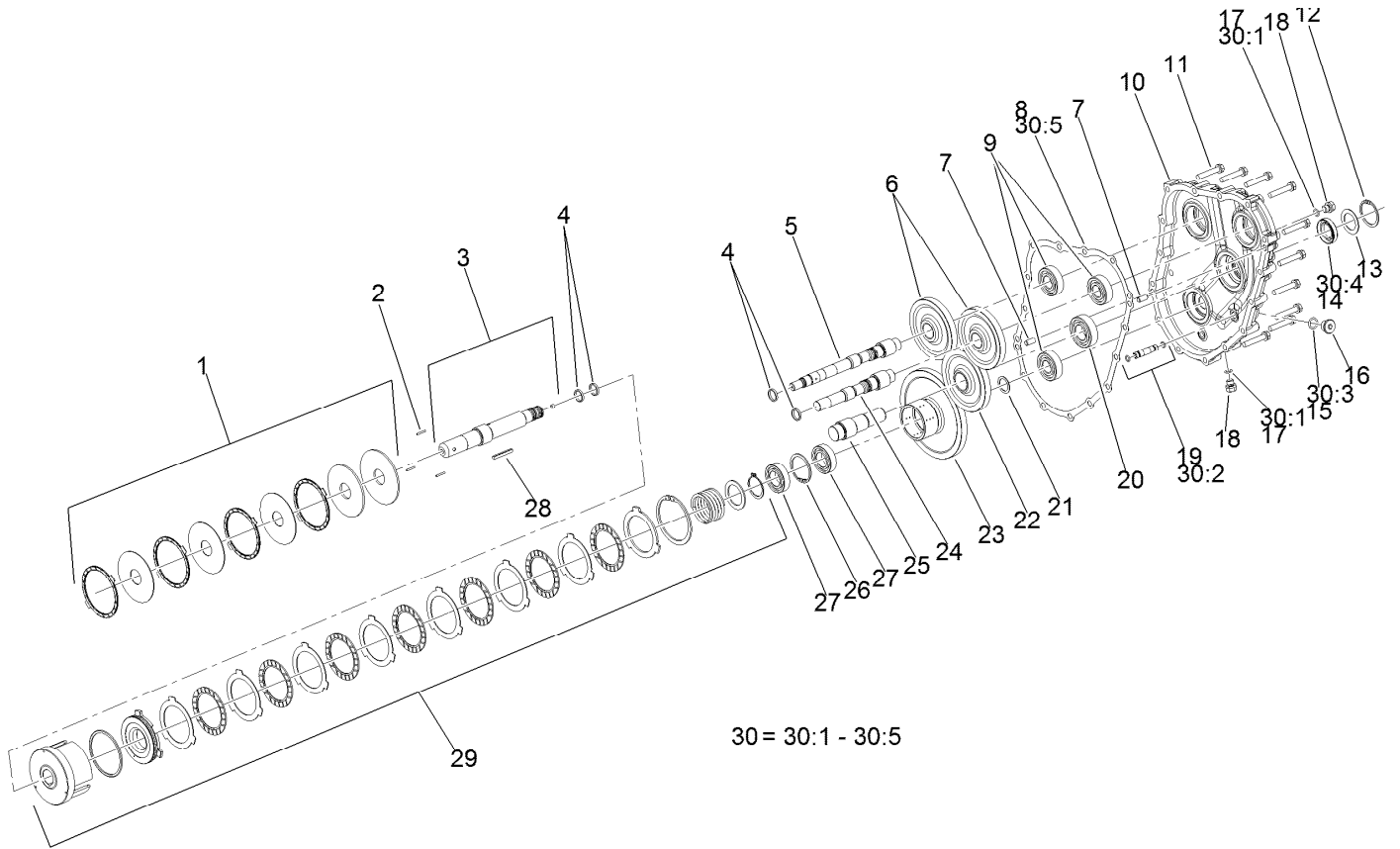
Center Section Assembly



Transmission Assembly (cont.) Center Section Assembly (continued)

| <i>Ref.</i> | <i>Part Number</i> | <i>Qty.</i> | <i>Description</i> | <i>Ref.</i> | <i>Part Number</i> | <i>Qty.</i> | <i>Description</i> |
|-------------|--------------------|-------------|-----------------------|-------------|--------------------|-------------|-----------------------|
| 1 | 107-0807 | 1 | Valve-Flushing, RH | 25 | 107-0867 | 1 | Plug |
| 2 | 107-0857 | 6 | Plug | 26 | 107-0812 | 1 | Pipe |
| 3 | 107-0817 | 6 | O Ring-Plug | 27 | 107-0852 | 1 | Center Case Seal Kit |
| 4 | 121-3377 | 1 | Center Case, Complete | 27:1 | 93-0418 | 2 | O-Ring |
| 6 | 107-0805 | 2 | Plate-Valve | 27:2 | 107-0817 | 6 | O Ring-Plug |
| 7 | 107-0824 | 2 | Cylinder Block ASM | 28 | 107-0813 | 1 | Spacer |
| 8 | 107-0830 | 2 | Plate-Thrust | 29 | 107-0853 | 1 | Pump Housing Seal Kit |
| 9 | 92-0765 | 4 | Pin-Parallel | 29:2 | 107-0810 | 1 | Gasket-Case, Center |
| 10 | 107-0859 | 6 | Bolt | 29:3 | 107-0817 | 2 | O Ring-Plug |
| 11 | 120-6681 | 2 | U-Nut | 29:4 | 104-3298 | 1 | Packing |
| 12 | 120-6680 | 2 | Arm-Control | 29:5 | 107-0814 | 3 | Seal |
| 13 | 107-0832 | 2 | Side Cover ASM | 29:6 | 107-0825 | 4 | Ring-Seal |
| 14 | 107-0829 | 2 | Washer | 30 | 120-6679 | 2 | Plate-Swash |
| 15 | 120-5151 | 1 | Pump Housing ASM | 31 | 107-0808 | 2 | Valve-Bypass |
| 16 | 107-0826 | 2 | Bearing | 32 | 107-0804 | 2 | Valve-Rear |
| 17 | 107-0821 | 1 | Bearing | 33 | 107-0803 | 2 | Valve-Front |
| 18 | 107-0838 | 1 | Bearing | 34 | 107-0863 | 8 | Bolt |
| 19 | 120-6682 | 2 | Bolt | 35 | 107-0806 | 1 | Valve-Flushing, LH |
| 23 | 107-0861 | 1 | Plug-NPTF | 36 | 92-0757 | 2 | Ring-Snap |
| 24 | 237-79 | 1 | O-Ring | | | | |

Transmission Assembly (cont.) Gear Case and Clutch Assembly

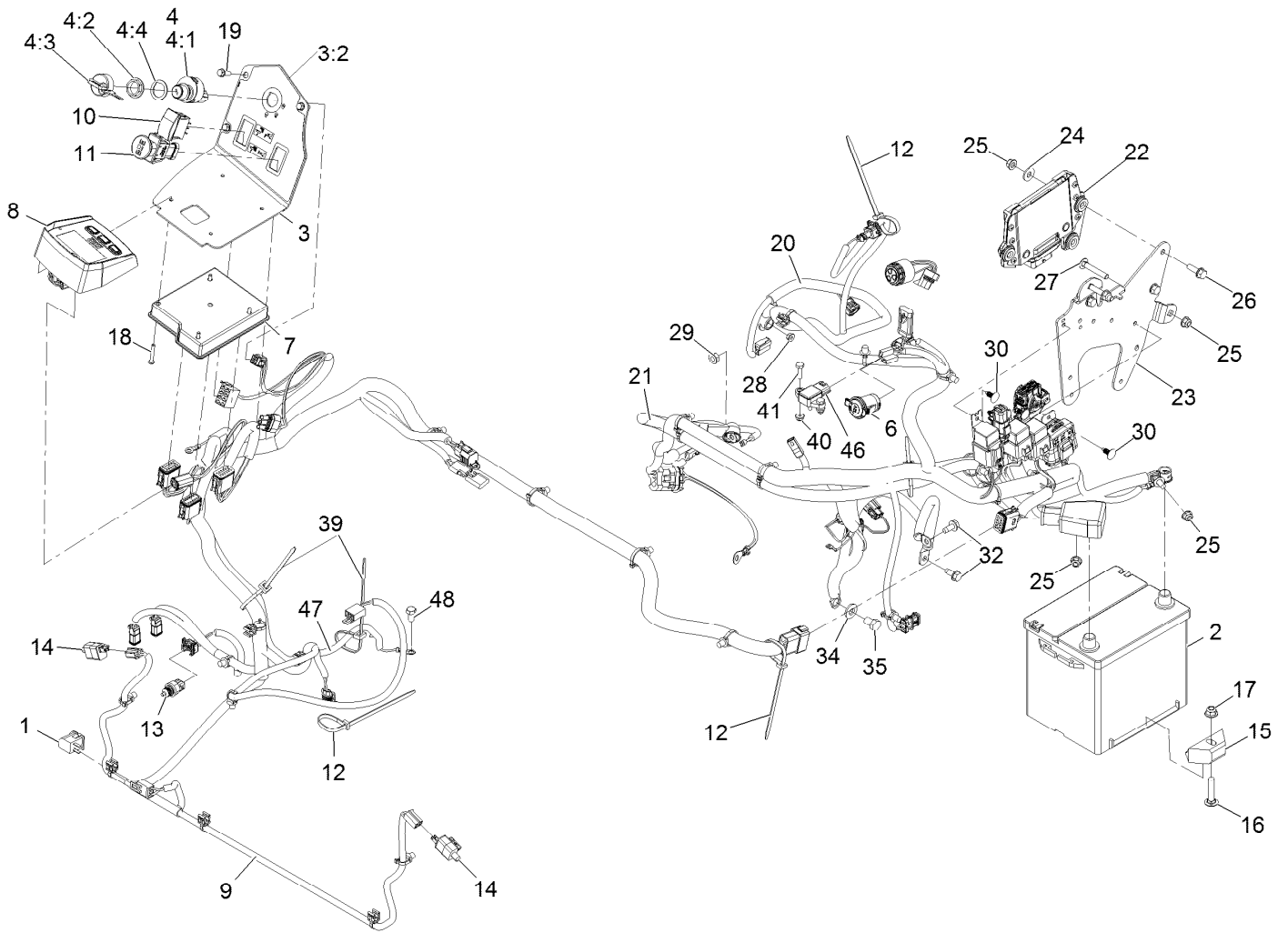


Transmission Assembly (cont.) Gear Case and Clutch Assembly (continued)

| <i>Ref.</i> | <i>Part Number</i> | <i>Qty.</i> | <i>Description</i> | <i>Ref.</i> | <i>Part Number</i> | <i>Qty.</i> | <i>Description</i> |
|-------------|--------------------|-------------|----------------------|-------------|--------------------|-------------|-----------------------|
| 1 | 107-0839 | 1 | PTO Brake ASM | 19 | 107-0811 | 1 | Pipe |
| 2 | 107-0837 | 3 | Rod-Push | 20 | 107-0821 | 2 | Bearing |
| 3 | 107-0833 | 1 | PTO Shaft ASM | 21 | 107-0836 | 1 | Spacer |
| 4 | 107-0825 | 2 | Ring-Seal | 22 | 107-0820 | 1 | Gear-Input |
| 5 | 107-0827 | 1 | Shaft-Pump | 23 | 107-0834 | 1 | Gear-PTO |
| 6 | 107-0823 | 2 | Gear-Pump | 24 | 107-0822 | 1 | Shaft-Pump |
| 7 | 92-0765 | 4 | Pin-Parallel | 25 | 107-0819 | 1 | Shaft-Input |
| 8 | 107-0816 | 1 | Gasket-Housing, Gear | 26 | 92-0758 | 1 | Ring-Snap |
| 9 | 107-0826 | 4 | Bearing | 27 | 107-0838 | 3 | Bearing |
| 10 | 120-5152 | 1 | Housing-Case, Gear | 28 | 107-0866 | 1 | Key |
| 11 | 107-0863 | 13 | Bolt | 29 | 107-0835 | 1 | Clutch Cylinder ASM |
| 12 | 92-0757 | 1 | Ring-Snap | 30 | 107-0854 | 1 | Gear Housing Seal Kit |
| 13 | 107-0813 | 1 | Spacer | 30:1 | 107-0817 | 2 | O Ring-Plug |
| 14 | 107-0814 | 1 | Seal | 30:2 | | 2 | O-Ring ● |
| 15 | 104-3298 | 1 | Packing | 30:3 | 104-3298 | 1 | Packing |
| 16 | 107-0861 | 1 | Plug-NPTF | 30:4 | 107-0814 | 1 | Seal |
| 17 | 107-0817 | 6 | O Ring-Plug | 30:5 | 107-0816 | 1 | Gasket-Housing, Gear |
| 18 | 107-0857 | 6 | Plug | | | | |

● Not serviced separately

Electrical Assembly



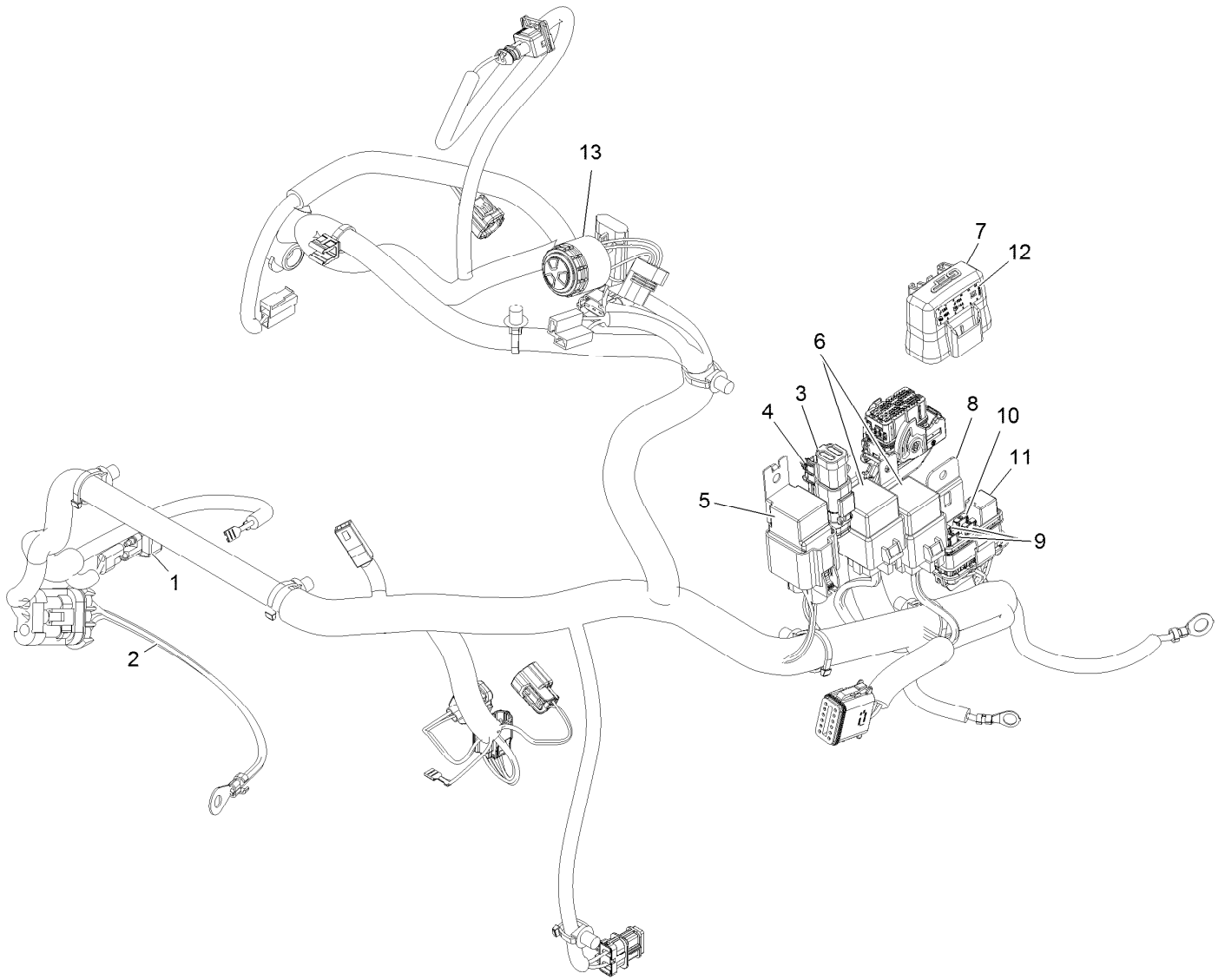
Electrical Assembly (continued)

| <i>Ref.</i> | <i>Part Number</i> | <i>Qty.</i> | <i>Description</i> | <i>Ref.</i> | <i>Part Number</i> | <i>Qty.</i> | <i>Description</i> |
|-------------|--------------------|-------------|---------------------------------|-------------|--------------------|-------------|------------------------|
| 1 | 82-2190 | 1 | Switch-Bail | 18 | 126-5092 | 4 | Screw-PPH |
| 2 | 106-5187 | 1 | Battery-Dry | 19 | 32105-15 | 3 | Screw-HWH |
| 3 | 135-6122 | 1 | Console ASM | 20 | 126-7387 | 1 | Harness-Wire ■ |
| 3:2 | 126-9278 | 1 | Decal-Control Panel | 21 | 126-7406 | 1 | Cable-Battery |
| 4 | 126-6285 | 1 | Ignition Switch ASM | 22 | 135-4280 | 1 | Ecu ASM |
| 4:1 | | 1 | Switch-Ignition ● | 23 | 135-0503-03 | 1 | Bracket-Mount, Ecu |
| 4:2 | 108-8660 | 1 | Nut-Mounting | 24 | 3256-3 | 3 | Washer-Flat |
| 4:3 | 106-5270 | 1 | Ignition Key Set | 25 | 104-8300 | 7 | Nut-HF, NI |
| 4:4 | 108-8659 | 1 | Washer-Backup | 26 | 3234-29 | 3 | Screw-HHF |
| 6 | 126-6499 | 1 | Port-Power, 12V | 27 | 3230-6 | 2 | Bolt-CARR |
| 7 | 135-3427 | 1 | Module-Mcu | 28 | 33003-00 | 1 | Nut-HF |
| 8 | 126-4232 | 1 | Module, Ldu | 29 | 127-2371 | 1 | Nut-HF |
| 9 | 126-7262 | 1 | Harness-Wire | 30 | 117-2382 | 4 | Plug-Plastic |
| 10 | 100-1535 | 1 | Switch-Rocker, (On)-Off-(On) | 32 | 32144-70 | 2 | Screw-HWHTF |
| 11 | 126-6187 | 1 | Switch-PTO, Sealed | 34 | 98-5975 | 1 | Washer-Belleville |
| 12 | 1-303335 | 3 | Tie-Plastic | 35 | 33115-016 | 1 | Screw-HH |
| 13 | 126-7698 | 1 | Sensor-Temperature | 39 | 3290-378 | 2 | Tie-Cable |
| 14 | 110-6765 | 2 | Switch | 40 | 104-7201 | 2 | Nut-HF |
| 15 | 138-6335 | 1 | Retainer-Battery | 41 | 321-5 | 2 | Screw-HH |
| 16 | 3231-5 | 1 | Screw-CARR | 46 | 126-9261 | 1 | Sensor-Atm |
| 17 | 104-8301 | 1 | Nut-HF, NI | 47 | 135-3998 | 1 | Harness-Wire, Jumper ■ |
| | | | | 48 | 99-5132 | 1 | Bolt |

● Not serviced separately

■ Use dielectric grease on all unsealed connectors and terminals only. Do not apply in sealed connectors.

Harness Assembly



Harness Assembly (continued)

| <i>Ref.</i> | <i>Part Number</i> | <i>Qty.</i> | <i>Description</i> | <i>Ref.</i> | <i>Part Number</i> | <i>Qty.</i> | <i>Description</i> |
|-------------|--------------------|-------------|----------------------------|-------------|--------------------|-------------|-------------------------|
| 1 | 100-4918 | 1 | Diode | 8 | 32180-177 | 1 | Clip-Mounting |
| 2 | 99-3441 | 1 | Harness-Wire, Fusible Link | 9 | 121-8867 | 3 | Fuse-Mini Blade, 15 Amp |
| 3 | 32160-359 | 1 | Connector (6M) | 10 | 121-8866 | 1 | Fuse-Mini Blade, 10 Amp |
| 4 | 32180-103 | 1 | Clip-Connector | 11 | 126-3991 | 1 | Relay-Micro |
| 5 | 127-7514 | 1 | Relay-70A | 12 | 126-9100 | 1 | Decal-Fuse |
| 6 | 99-7430 | 2 | Relay-Mini | 13 | 126-6286 | 1 | Alarm-Dual Tone |
| 7 | 32180-176 | 1 | Cover-Block, Fuse | | | | |

Notes:

Notes:

Notes:



MAXIMIZE THE PERFORMANCE OF YOUR EXMARK MACHINE.



EXMARK® PREMIUM ENGINE OIL

Exmark now offers a family of engine oil viscosities to perform well in any environment. Each viscosity has the same synthetic formulation to give you what you need in punishing conditions. We designed each grade to the highest quality, making it ideal even for diesel applications. Coupled with Exmark Premium Fuel Treatment, we have the performance products to make your machine hum.

EXMARK PREMIUM ENGINE OIL SAE 30/10W-30

- Meets zero shear requirements of a straight grade SAE 30 as well as the cold temp properties of a 10W-30.
- Most versatile oil in the industry.
- Superior corrosion protection over conventional oil - even in corrosive, humid environments.

EXMARK PREMIUM ENGINE OIL SAE 20W-50

- Perfect for your big block engine, or any application in severe service.
- Same full synthetic formulation as all other Exmark Premium viscosities.
- Also effective for use in severe service small block engines.

EXMARK PREMIUM ENGINE OIL SAE 10W-50

- Full synthetic formulation gives you peak performance. Don't settle for less.
- Wide span multi-grade combines easy starting in cold weather with maximum protection in high temperature operation.
- Reduce friction & wear over standard mineral formulations.

EXMARK PREMIUM ENGINE OIL SAE 0W-40

- The perfect choice for when the weather turns cold or unpredictable, and your Exmark UTV has to perform.
- Commercial quality for severe service.
- Advanced additive package helps prevent corrosion from long-term storage.

EXMARK PREMIUM ENGINE OIL UTV FORMULATION

- 4-cycle high-temp formulation.
- Heavier viscosity, full synthetic, perfect for your UTV.

EXMARK PREMIUM UTV EXTREME CONDITIONS GEAR OIL

- SAE 80W-90, designed to keep your UTV performing at its peak.
- Shear stable, hypoid gear lube.
- Includes a premium additive system to combat wear, oxidation, rust & corrosion.

Available from your local Exmark dealer. Find your closest dealer at exmark.com

EXMARK ACCESSORIES AND OPTIONS*

MID-MOUNT RIDING ACCESSORIES AND OPTIONS

| | |
|------------------------------------|---------------------------------|
| CUSTOM RIDE SEAT SUSPENSION SYSTEM | OPERATOR CONTROLLED DISCHARGE |
| FULL SUSPENSION SEAT | SUN SHADE |
| DECK LIFT ASSIST KIT | TRASH CONTAINER |
| HITCH KIT | TURF STRIPER |
| LIGHT KIT | ULTRA VAC COLLECTION SYSTEM |
| 12V POWER PORT | ULTRA VAC QUICK DISPOSAL SYSTEM |
| MICRO-MULCH SYSTEM | |

OUT-FRONT RIDING ACCESSORIES AND OPTIONS

| | |
|------------------------------------|---------------------------------|
| CUSTOM RIDE SEAT SUSPENSION SYSTEM | SNOW BLADE |
| DUAL-TAIL WHEEL | SNOWBLOWER |
| FLOOR PAN EXTENDER | SUN SHADE |
| HITCH KIT | TRASH CONTAINER |
| LIGHT KIT | ULTRA VAC COLLECTION SYSTEM |
| MICRO-MULCH SYSTEM | ULTRA VAC QUICK DISPOSAL SYSTEM |
| ROLL OVER PROTECTION SYSTEM (ROPS) | WEATHER CAB |

WALK-BEHIND ACCESSORIES AND OPTIONS

| | |
|--------------------|--------------|
| GRASS CATCHER | TURF STRIPER |
| MICRO-MULCH SYSTEM | STANDON |

*Some accessories and options not available for some models.

Place Model No. and Serial No.
Label Here (Included in the Literature
Pack) or Fill in Below

Model No. _____

Serial No. _____

Date Purchased _____

Engine Model No. and Spec. No. _____

Engine Serial No. (E/No) _____

© 2019 Exmark Mfg. Co., Inc.
2101 Ashland Ave
Beatrice, NE 68310
All Rights Reserved

Part No. 4504-648 Rev. A
(402) 223-6375
Fax (402) 223-5489
Printed in the USA.

