



LAZER Z[®] S-SERIES

Model No. LZS740AKC524A2—Serial No. 406294345 and Up

Picture below may not reflect actual product.



Parts Manual

Part No. 4504-630 Rev. B

Ordering Replacement Parts

To order replacement parts, please supply the part number, the quantity, and the description of each part desired.

Understanding Reference Numbers

Each identified part in an illustration has a reference number. The reference number for a part also appears in the parts list, along with other information about the part.

This catalog uses two special reference number formats, one to indicate parts in a service assembly and another to indicate the quantity of a given part in an illustration.

Service Assembly Reference Numbers

Parts in service assemblies have reference numbers in the form a:b. The a represents the reference number of the entire service assembly and the b represents a sequential number unique to each part within the service assembly.

For example, a wheel assembly might be identified by reference number 6, the tire by 6:1, the valve by 6:2, and the wheel by 6:3. When you order the assembly identified by reference number 6, you receive all parts identified by reference numbers 6:1, 6:2, and 6:3. However, you may also order any part individually. Reference numbers of this type appear in illustration and in parts lists.

Reference Numbers Indicating Quantity

In an illustration, if a reference number indicates more than one part, the reference number has the form nX y. The n represents the quantity of the part, the X is the multiplication symbol, and the y represents the reference number.

For example, in an illustration, the reference number 2X 37 means that two of the parts identified by reference number 37 are indicated.

Touch Up Paint

Exmark black touch up spray paint – gloss black.

Exmark red touch up paint (spray paint – P/N 1-850337 - .6 oz liquid bottle – P/N 103-9140).

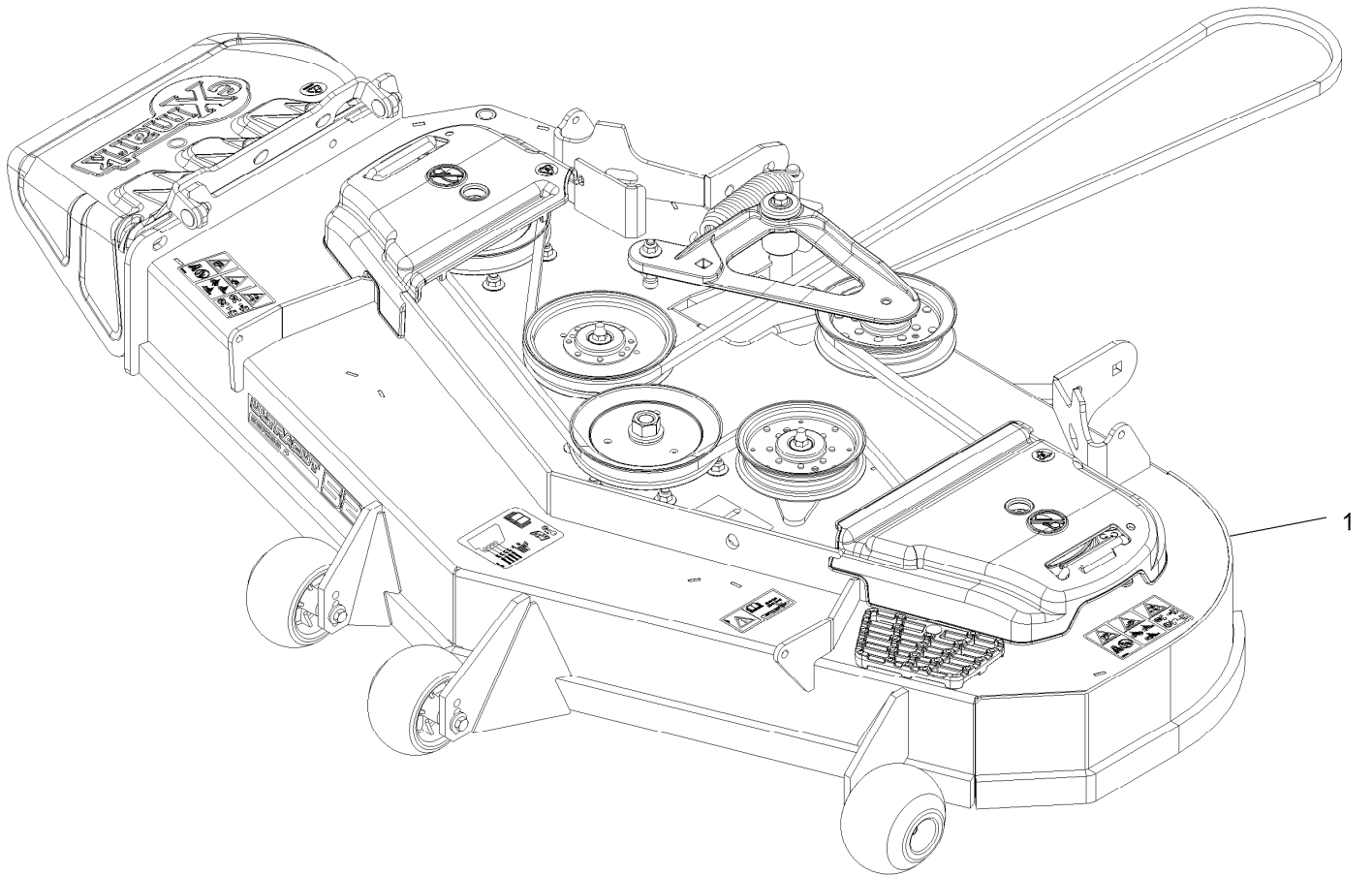


If your Exmark dealer does not have the Exmark part in stock, Exmark will get the parts to the dealer the next business day or the part will be FREE Guaranteed!! (Some restrictions apply. See your participating Exmark Dealer for details.)

Contents

Complete Deck Assembly.....	4
Deck Assembly.....	6
Deck W/Decals Assembly.....	8
Idler Assembly.....	10
Main Frame Assembly.....	12
S-Series Decal.....	14
Roll-Over Protection System.....	16
Roll Over Protection System (cont.).....	18
Front Caster and Fork Assembly.....	20
Caster Wheel and Fork Assembly.....	22
Deck Lift Assembly.....	24
Height-of-Cut Assembly No. 109-7438.....	26
Controls Assembly.....	28
Motion Control Assembly.....	30
Rear Wheel Assembly.....	32
Park Brake Assembly.....	34
Seat Assembly.....	36
Seat Assembly (cont.).....	38
Fuel Assembly.....	40
Fuel Tank Assembly.....	42
Engine Assembly.....	44
Hydraulic Assembly.....	46
LH Hydro Assembly No. 135-7899.....	48
RH Hydro Assembly No. 135-7900.....	50
Pump Idler Assembly No. 116-1255.....	52
Electrical Assembly.....	54
Harness Assembly.....	56

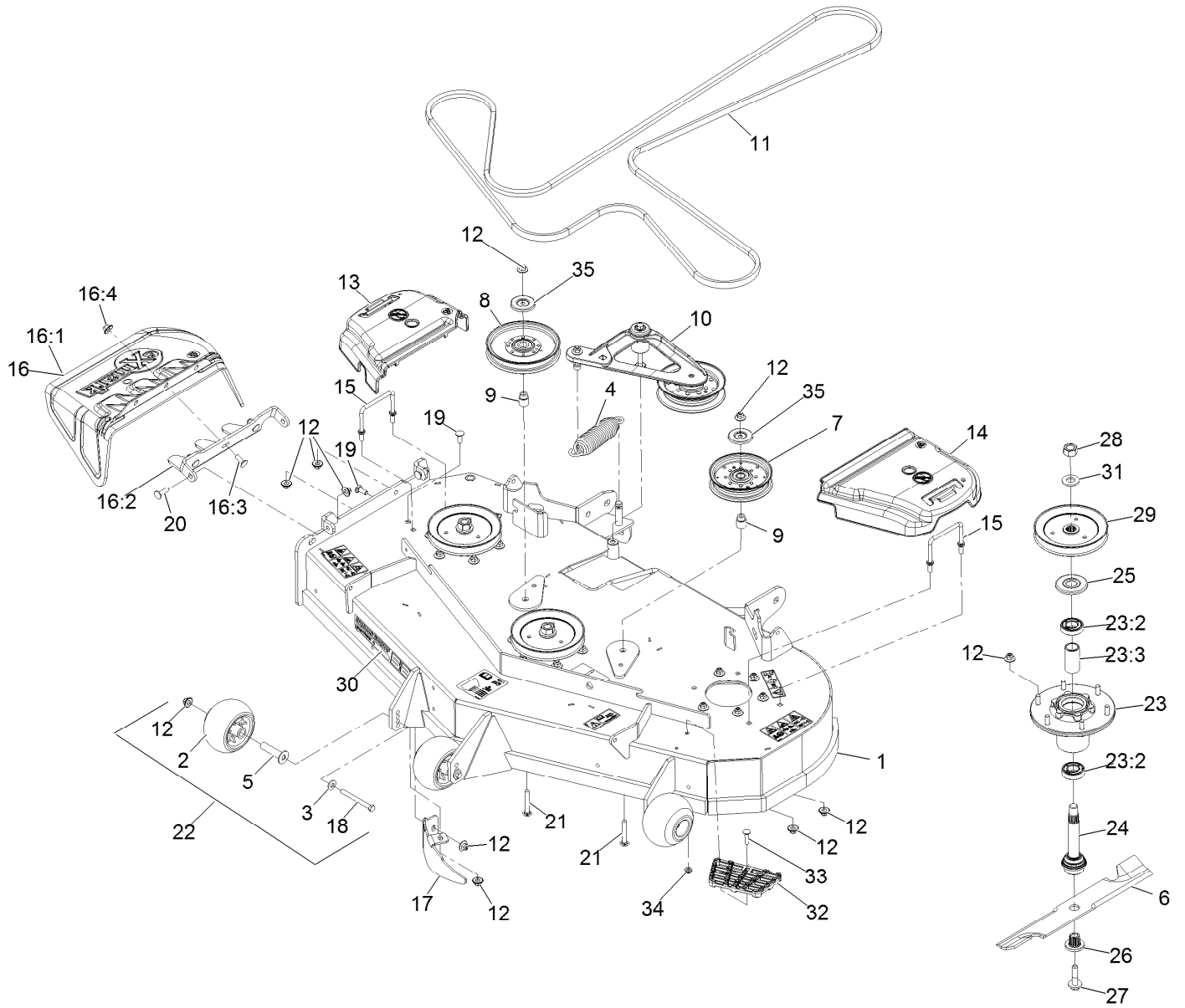
Complete Deck Assembly



Complete Deck Assembly (continued)

<i>Ref.</i>	<i>Part Number</i>	<i>Qty.</i>	<i>Description</i>
1	116-3598	1	ASM,524 Deck Complete

Deck Assembly



Deck Assembly (continued)

<i>Ref.</i>	<i>Part Number</i>	<i>Qty.</i>	<i>Description</i>	<i>Ref.</i>	<i>Part Number</i>	<i>Qty.</i>	<i>Description</i>
1	109-9149	1	ASM,Deck W/ Decals 52	16:4	109-6658	3	Nut-Flange, NI
2	103-8415	3	Roller-Anti-Scalp	17	116-5814-01	1	Baffle-Dogleg, Lz-Vt52
3	98-5975	3	Washer-Belleville	18	116-9362	3	Screw-HH
4	116-6317	1	Spring-Extension	19	3231-22	2	Screw-CARR
5	116-8131	3	Axle, Roller	20	3231-28	2	Screw-CARR
6	103-6382	3	Blade, Solid	21	3231-44	2	Screw-CARR
6	103-6387	3	Blade, Low Lift	22	116-9981	3	Kit, Anti-Scalp Roller
6	103-6392	3	Blade, Mulching ■	23	116-3344	3	ASM-Cutter Hsg With Bearings
6	103-6402	3	Blade-Notched				
6	116-5175	3	Blade-Extreme 2, 18.00"	23:2	116-0720	2	Bearing-Ball
7	126-9187	1	Pulley-Idler, Flat	23:3	116-3312	1	Spacer-Bearing
8	126-7685	1	Idler-Pulley	24	116-3341	3	ASM-Spindle And Seal ▲
9	1-633456	2	Bushing, Idler	25	116-1286	3	Guard,Bearing Top .989
10	116-3755	1	Deck Idler ASM	26	103-3037	3	Bushing, Splined
11	135-5776	1	Belt,V-B X 186.00"	27	109-9220	3	Screw-Sems ●◆
12	109-6658	31	Nut-Flange, NI	28	116-7306	3	Nut-Hex
13	109-6935	1	Cover-Belt, RH	29	116-0675	3	Sheave,Blade Drive 6.50
14	109-6936	1	Cover-Belt, LH	30	126-6588	1	Decal, 524
15	109-6982	2	Wireform-Cover	31	103-2802	3	Washer
16	109-7188	1	ASM,Discharge Chute	32	126-4781-03	1	Step-Deck
16:1	109-2738	1	Chute, Discharge	33	3230-3	1	Screw-CARR
16:2	109-8675-01	1	Bracket,Discharge Chute	34	104-8300	1	Nut-HF, NI
16:3	3231-22	3	Screw-CARR	35	126-8043	2	Shield-Dust

● Torque to 50-60 ft-lb

■ Requires installation of mulch kit for proper mulching. See your Exmark dealer for details.

▲ Apply Mobil HTS grease (P/N 103-5217 1.5 oz packet) (or a food-grade anti-seize) to spindle shaft

◆ Apply lubricant to threads as needed to prevent seizing. Copper based anti-seize preferable. Grease is an acceptable substitute.

Deck W/Decals Assembly



Deck W/Decals Assembly (continued)

<i>Ref.</i>	<i>Part Number</i>	<i>Qty.</i>	<i>Description</i>	<i>Ref.</i>	<i>Part Number</i>	<i>Qty.</i>	<i>Description</i>
3	126-6464	2	Decal-Danger Thrown Objects	9	1-633456	2	Bushing, Idler
4	109-6036	1	Decal-Roller, Anti-Scalp	10	3231-44	2	Bolt-Carriage 3/8-16 X 2 1/2
5	112-9028	2	Decal-Cover, Missing	11	126-4781-03	1	Step-Deck
6	116-8283	1	Decal-Torque, Bolt	12	3230-3	1	Bolt-Carriage 5/16-18 X 1 1/4
7	116-8727	1	Decal-Belt Routing	13	104-8300	1	Nut-Nyloc 5/16-18 Flg
8	109-6658	2	Nut-Nyloc 3/8-16 Flg				

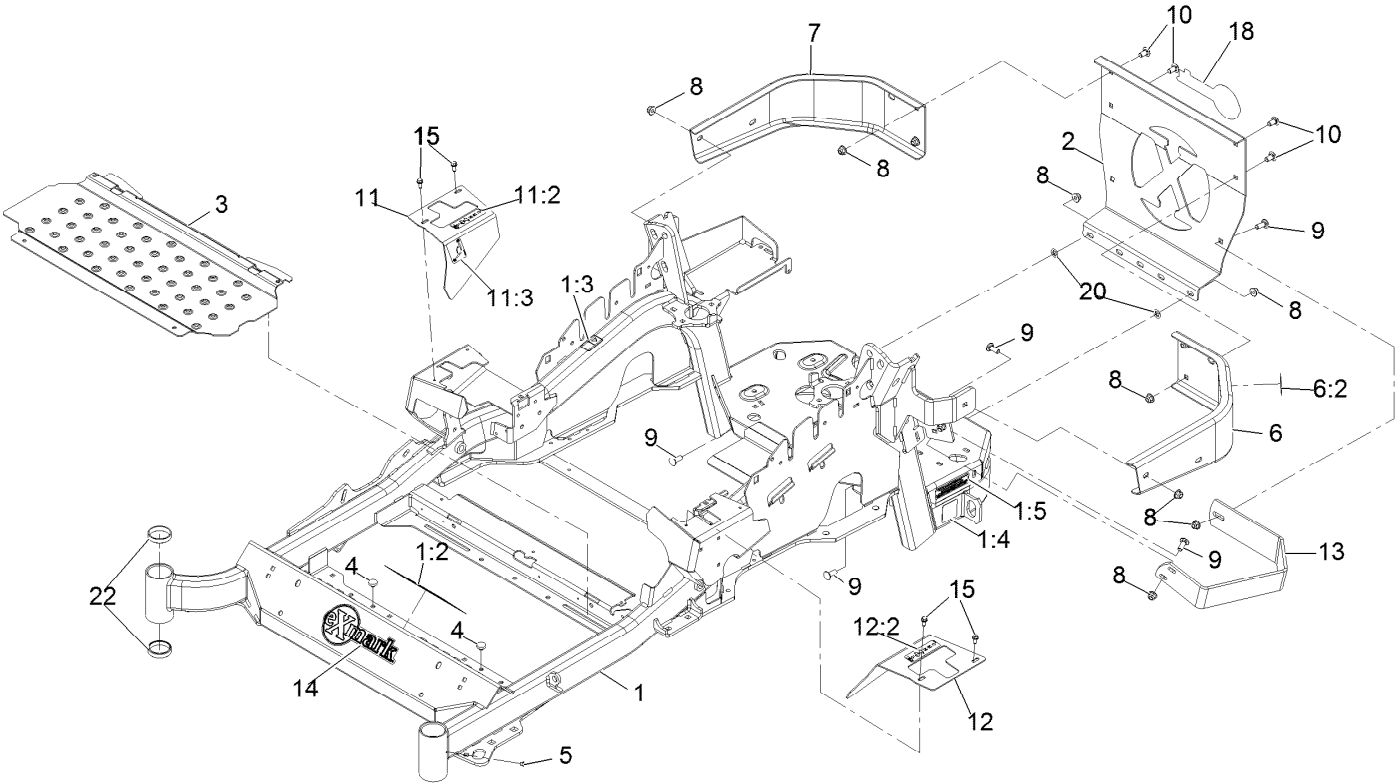
Idler Assembly



Idler Assembly (continued)

<i>Ref.</i>	<i>Part Number</i>	<i>Qty.</i>	<i>Description</i>	<i>Ref.</i>	<i>Part Number</i>	<i>Qty.</i>	<i>Description</i>
1	43-0940	1	Spacer	9	126-0423	1	Pin-Spring, Anchor
2	103-2916	1	Guard-Top	10	109-6658	2	Nut-Flange, NI
3	103-3504	2	Bearing-Spherical	11	109-7409	1	Screw-Shoulder, HH
4	103-3505	1	Seal-Lip, Double	12	323-8	1	Screw-HH
5	103-3506	1	Seal-Lip, Single	13	32120-10	2	Ring-Snap
6	126-9196	1	Idler-Pulley, Flat	14	302-19	1	Fitting-Grease
7	106-7159	2	O-Ring	15	126-9195	1	Shield-Guard, Dust

Main Frame Assembly



Main Frame Assembly (continued)

<i>Ref.</i>	<i>Part Number</i>	<i>Qty.</i>	<i>Description</i>	<i>Ref.</i>	<i>Part Number</i>	<i>Qty.</i>	<i>Description</i>
1	116-5900	1	Mainframe ASM	10	3231-21	4	Bolt-Carriage 3/8-16 X 3/4
1:2	132-0871	1	Decal-Danger	11	116-5899	1	RH Motion Control Cover ASM
1:3	106-5517	2	Decal-Warning	11:2	99-8936	1	Decal-Control, Motion
1:4	106-2655	2	Decal-Hazard, Pinched Finger	11:3	116-5988	1	Decal-Park Brake, CE
1:5	133-8062	1	Decal-Arrestor, Spark	12	116-0580	1	LH Motion Control Cover ASM
2	109-8863-03	1	Plate,Rear Guard	12:2	99-8936	1	Decal-Control, Motion
3	116-8898-01	1	Floorpan	13	126-2067-03	1	Guard-Muffler
4	1-513658	2	Bumper	14	135-2274	1	Decal-Exmark
5	1-811010	2	Plug	15	32144-10	4	Screw-HWH 1/4-20 X .62
6	116-0180	1	LH Bumper ASM	18	126-6877	1	Decal, Exmark Logo
6:2	106-5517	1	Decal-Warning	20	107-3154	2	Nut-Push 3/8-16
7	116-0057-03	1	Bumper-RH	22	1-543508	4	Cup-Bearing Tapered Roller
8	104-8301	11	Nut-Nyloc 3/8-16 Flg				
9	3231-22	7	Bolt-Carriage 3/8-16 X 1				

S-Series Decal



S-Series Decal (continued)

<i>Ref.</i>	<i>Part Number</i>	<i>Qty.</i>	<i>Description</i>
1	126-6572	2	Decal-S-Series

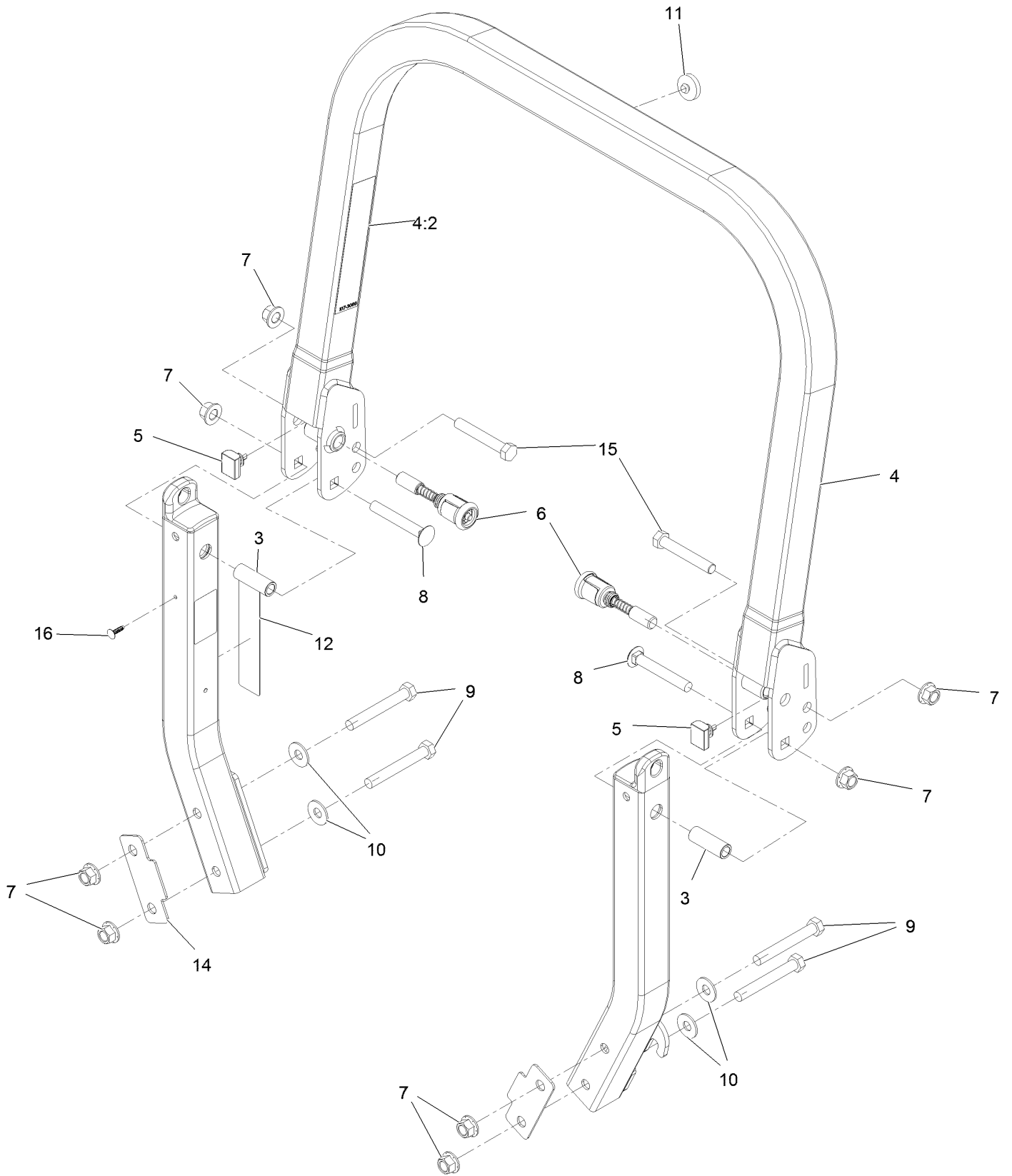
Roll-Over Protection System



Roll-Over Protection System (continued)

<i>Ref.</i>	<i>Part Number</i>	<i>Qty.</i>	<i>Description</i>
1	116-0230	1	ASM,ROPS Service Exmark

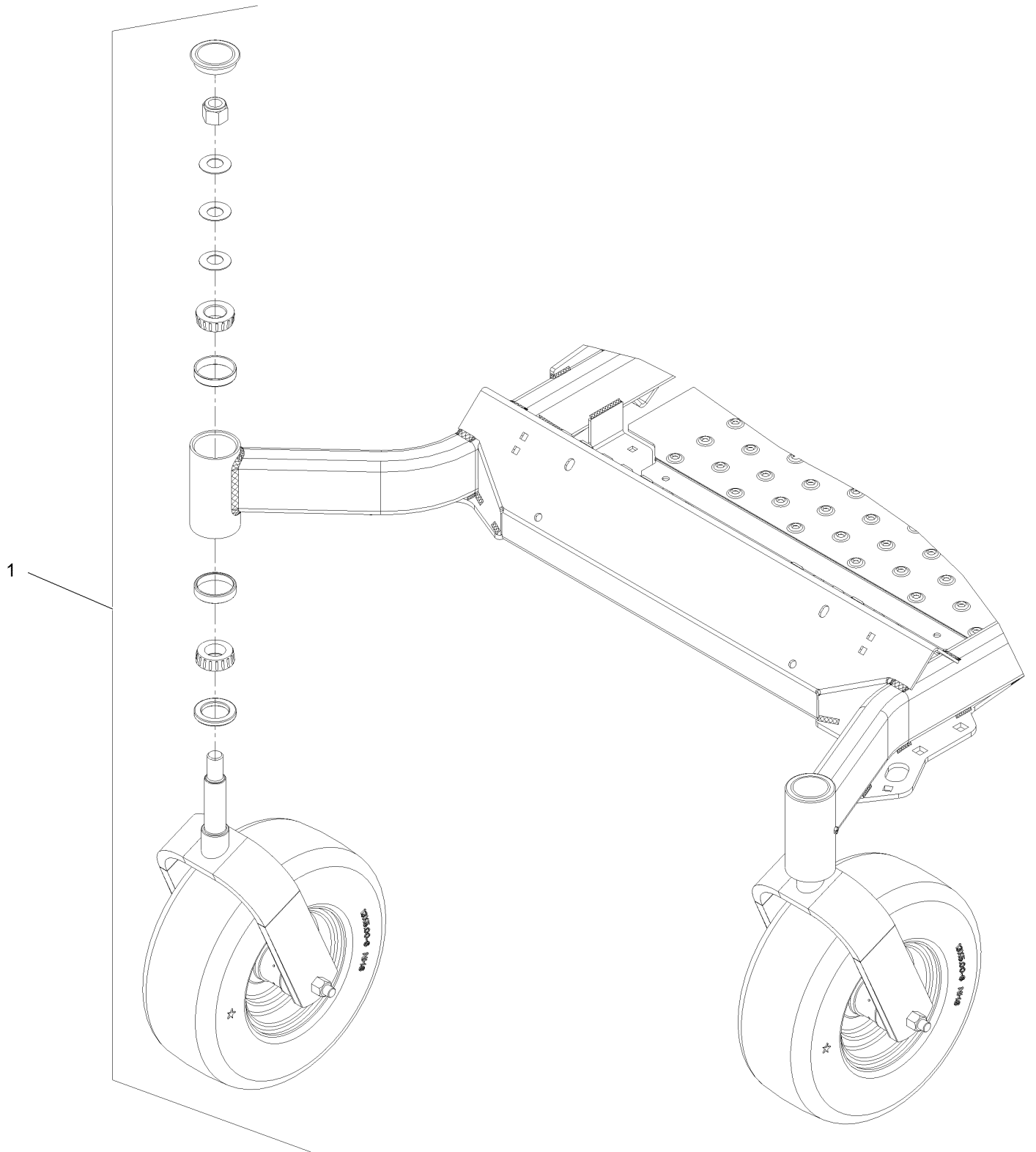
Roll Over Protection System (cont.)



Roll Over Protection System (cont.) (continued)

<i>Ref.</i>	<i>Part Number</i>	<i>Qty.</i>	<i>Description</i>	<i>Ref.</i>	<i>Part Number</i>	<i>Qty.</i>	<i>Description</i>
3	109-6653	2	Spacer	9	325-35	4	Screw-HH
4	116-0019	1	Upper ROPS ASM	10	109-9505	4	Washer, Spring Disc 1/2
4:2	107-3069	1	Decal-Warning	11	109-9233	1	Bumper-Push-In, Rubber
5	109-5337	2	Bumper-ROPS	12	117-0346	1	Decal-Caution, Fuel Vent
6	116-0104	2	Pin-Spring	14	116-0960	2	Spacer
7	99-5107	8	Nut-Lock 1/2-13	15	325-13	2	Screw-HH
8	3233-10	2	Bolt-Carriage 1/2-13 X 3 1/2	16	125-8067	1	Plug-Plastic

Front Caster and Fork Assembly

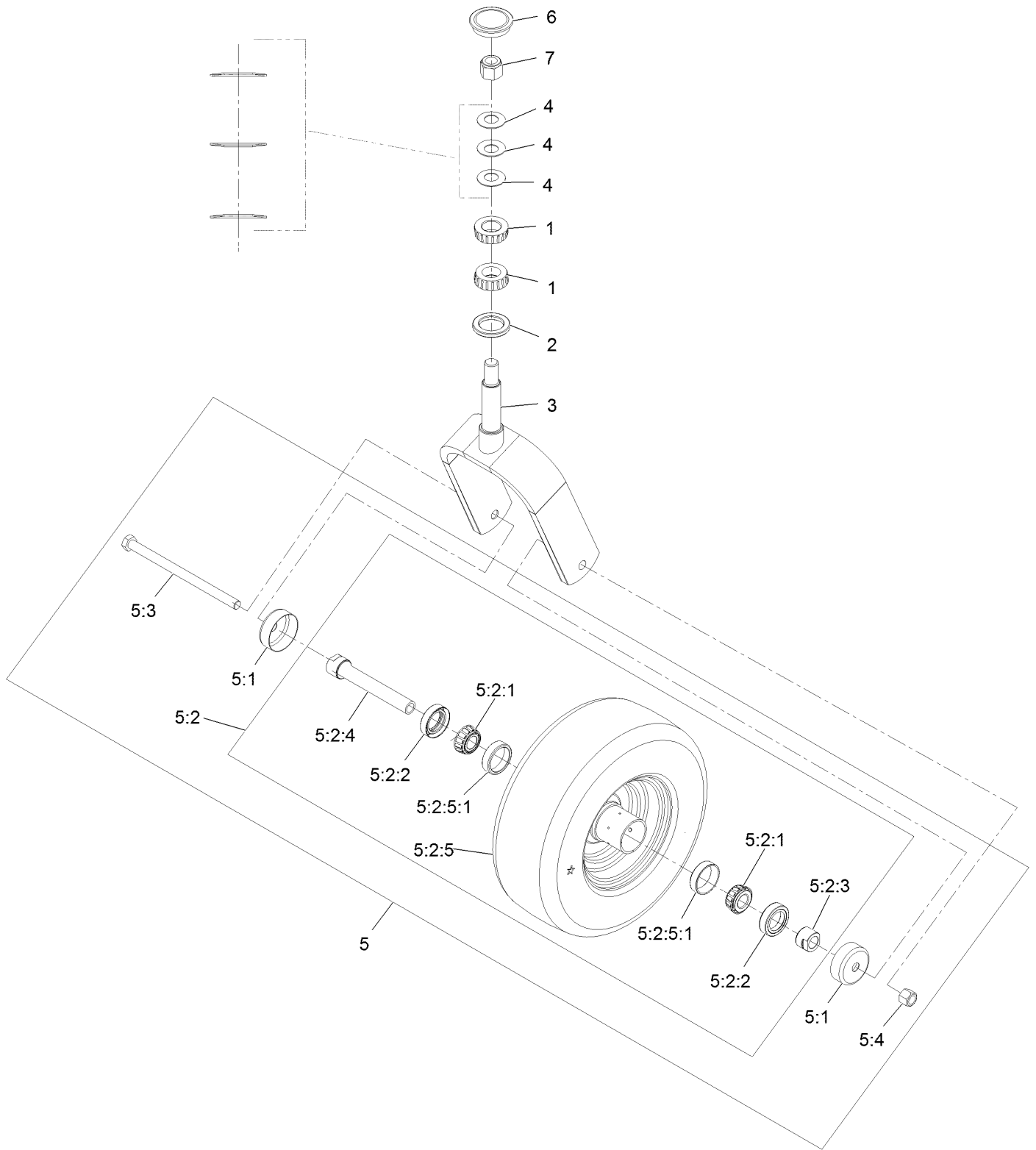


Front Caster and Fork Assembly (continued)

<i>Ref.</i>	<i>Part Number</i>	<i>Qty.</i>	<i>Description</i>
1		2	Front Caster And Fork ASM
			●

● Not serviced separately

Caster Wheel and Fork Assembly



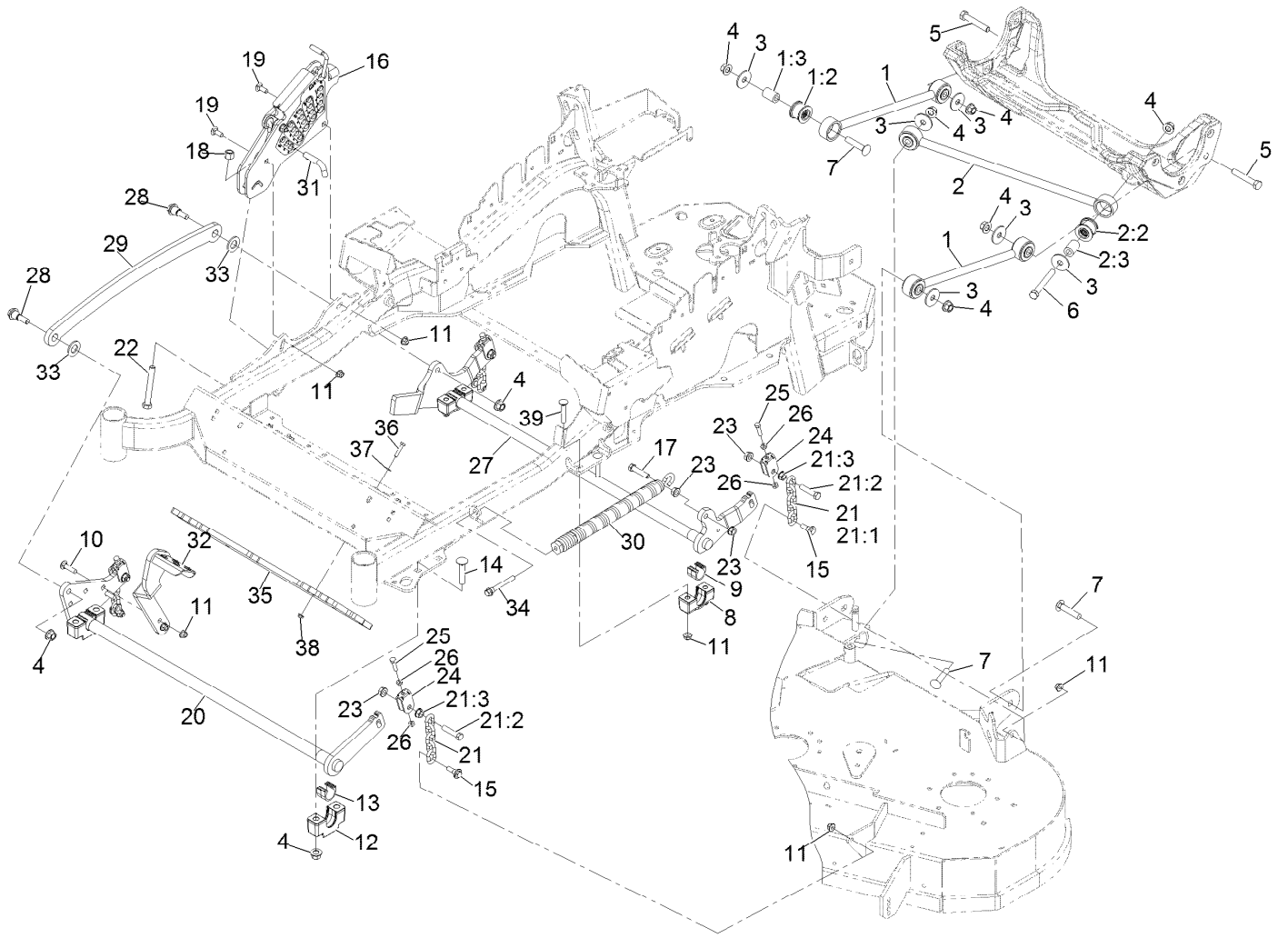
Caster Wheel and Fork Assembly (continued)

<i>Ref.</i>	<i>Part Number</i>	<i>Qty.</i>	<i>Description</i>	<i>Ref.</i>	<i>Part Number</i>	<i>Qty.</i>	<i>Description</i>
1	1-543509	2	Cone-Bearing Tapered Roller	5:2:2	103-0063	2	Seal-Double Lip
2	116-5647	1	Seal-Grease	5:2:3	103-3051	1	Spacer-Nut ■
3	116-6703-01	1	Weld, Fork	5:2:4	126-5360	1	Axle-Caster
4	1-633508	3	Washer-Spring Disc	5:2:5		1	Wheel And Tire ASM ●
5	109-9126	1	Wheel & Tire ASM	5:2:5:1	1-633584	2	Bearing-Cup
5:1	103-2768	2	Guard-Seal	5:3	325-42	1	Screw-HH 1/2-13 X 8
5:2		1	Wheel And Tire ASM ●	5:4	3296-23	1	Nut-Nyloc 1/2-13
5:2:1	1-633585	2	Bearing-Cone Tapered Roller	6	103-4882	1	Cap-Grease
				7	3296-51	1	Nut-Nyloc 3/4-10

● Not serviced separately

■ Use Pro-Lock, Nut Type (P/N 1-840022, .5ml tube) on threads.

Deck Lift Assembly



Deck Lift Assembly (continued)

<i>Ref.</i>	<i>Part Number</i>	<i>Qty.</i>	<i>Description</i>	<i>Ref.</i>	<i>Part Number</i>	<i>Qty.</i>	<i>Description</i>
1	109-7952	2	Deck Strut ASM	18	3296-23	1	Nut-Nyloc 1/2-13
1:2	109-5009	2	Bushing-Suspension, Rubber	19	3231-2	2	Bolt-Carriage 3/8-16 X 1
1:3	109-5010	2	Spacer	20	126-2475-03	1	Decklift-Front
2	109-5013	1	Panhard Rod ASM	21	116-0756	4	Deck Lift Chain ASM
2:2	109-5009	2	Bushing-Suspension, Rubber	21:1	1-633447	1	Chain-Lift, Deck
2:3	109-5010	2	Spacer	21:2	109-9065	1	Screw-HH 7/16-14 X 2
3	86-1990	6	Washer	21:3	32128-37	1	Nut-Whizlock 7/16-14
4	99-5107	12	Nut-Lock 1/2-13	22	116-0559	1	Bolt-HH 1/2-13 X 4 Tap
5	325-12	2	Screw-HH 1/2-13 X 3	23	32128-37	6	Nut-Whizlock 7/16-14
6	325-17	1	Screw-HH 1/2-13 X 4	24	109-9066	4	Yoke-Adjust, Deck
7	3233-34	3	Bolt-Carriage 1/2-13 X 2 1/2	25	322-47	4	Screw-HH 5/16-18 X 1 1/4
8	127-0553	2	Support-Bearing, Cross Shaft (Rear)	26	3218-2	8	Nut-Jam 5/16-18
9	109-7173	2	Bearing-Cross Shaft, Rear	27	116-0459-03	1	Lift-Deck, Rear
10	3231-4	2	Bolt-Carriage 3/8-16 X 1 1/2	28	116-0780	2	Screw-Shoulder HHF 1/2-13 X 1.12
11	104-8301	12	Nut-Nyloc 3/8-16 Flg	29	116-0797-03	1	Link-Lift, Deck
12	109-9409	2	Support-Bearing, Cross Shaft (Front)	30	116-0886	1	Spring-Extension
13	109-9410	2	Bearing-Cross Shaft, Front	31	116-5584	1	Pin-HOC
14	116-1700	4	Bolt-Carriage 1/2-13 X 2 1/2 Spl Neck	32	116-1919-01	1	Lever-Foot
15	109-9840	4	Screw-Hex Flange 3/8-16 X .80	33	3256-28	2	Washer-3/4 SAE
16	109-7438	1	HOC ASM	34	92-7674	1	Screw-Shcs 3/8-16 X 2.212
17	109-9065	1	Screw-HH 7/16-14 X 2	35	140-4963-01	1	Weight-Toe Board
				36	321-8	4	Screw-HH 1/4-20 X 1 1/4
				37	3256-22	4	Washer-1/4 SAE
				38	104-7201	4	Nut-Nyloc 1/4-20 Flg
				39	3231-7	4	Bolt-Carriage 3/8-16 X 2 1/4

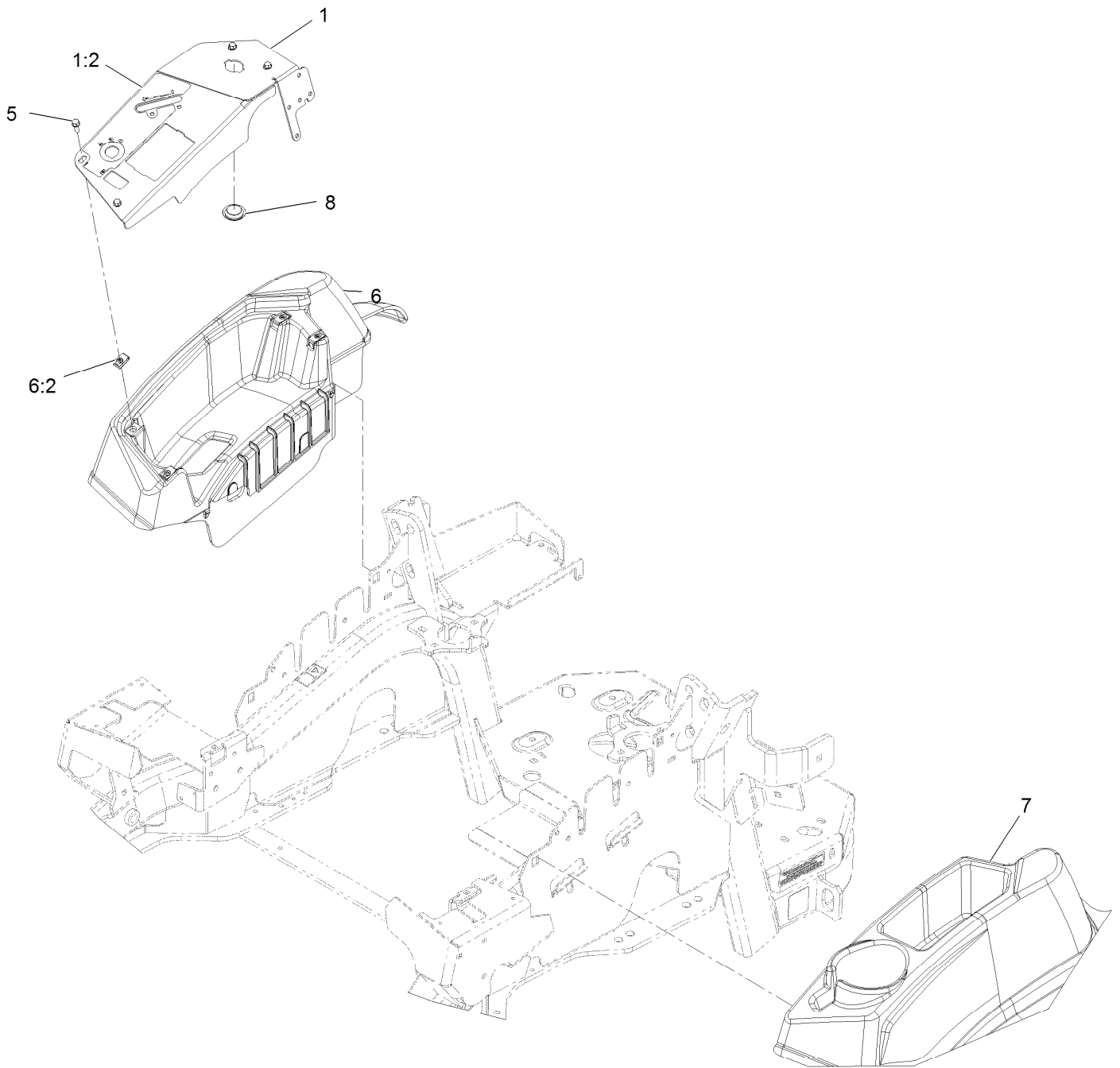
Height-of-Cut Assembly No. 109-7438



Height-of-Cut Assembly No. 109-7438 (continued)

<i>Ref.</i>	<i>Part Number</i>	<i>Qty.</i>	<i>Description</i>	<i>Ref.</i>	<i>Part Number</i>	<i>Qty.</i>	<i>Description</i>
1	62-1330	1	Bolt-Shoulder	6	116-0118	1	Pawl-Transport, HOC
2	109-7130	1	Grommet	7	109-7335	1	HOC Plate ASM
3	104-8301	1	Nut-HF, NI	7:2	126-4398	1	Decal-HOC
4	109-7124	1	Spring-Extension	8	109-8250	1	Grip-Lever
5	109-7128	1	Rod-Lock, Transport				

Controls Assembly



Controls Assembly (continued)

<i>Ref.</i>	<i>Part Number</i>	<i>Qty.</i>	<i>Description</i>	<i>Ref.</i>	<i>Part Number</i>	<i>Qty.</i>	<i>Description</i>
1	135-2279	1	Panel-Control W/Decal Shm-EFI	6	116-1278	1	Console,RH As ASM
1:2	126-8823	1	Decal-Control Panel-EFI	6:2	107069	4	Nut-Retainer-Panel 1/4-20
5	32105-15	4	Screw-Machine 1/4-20 X 3/4	7	109-9457	1	Console, LH As
				8	116-1875	1	Plug-Plastic

Motion Control Assembly

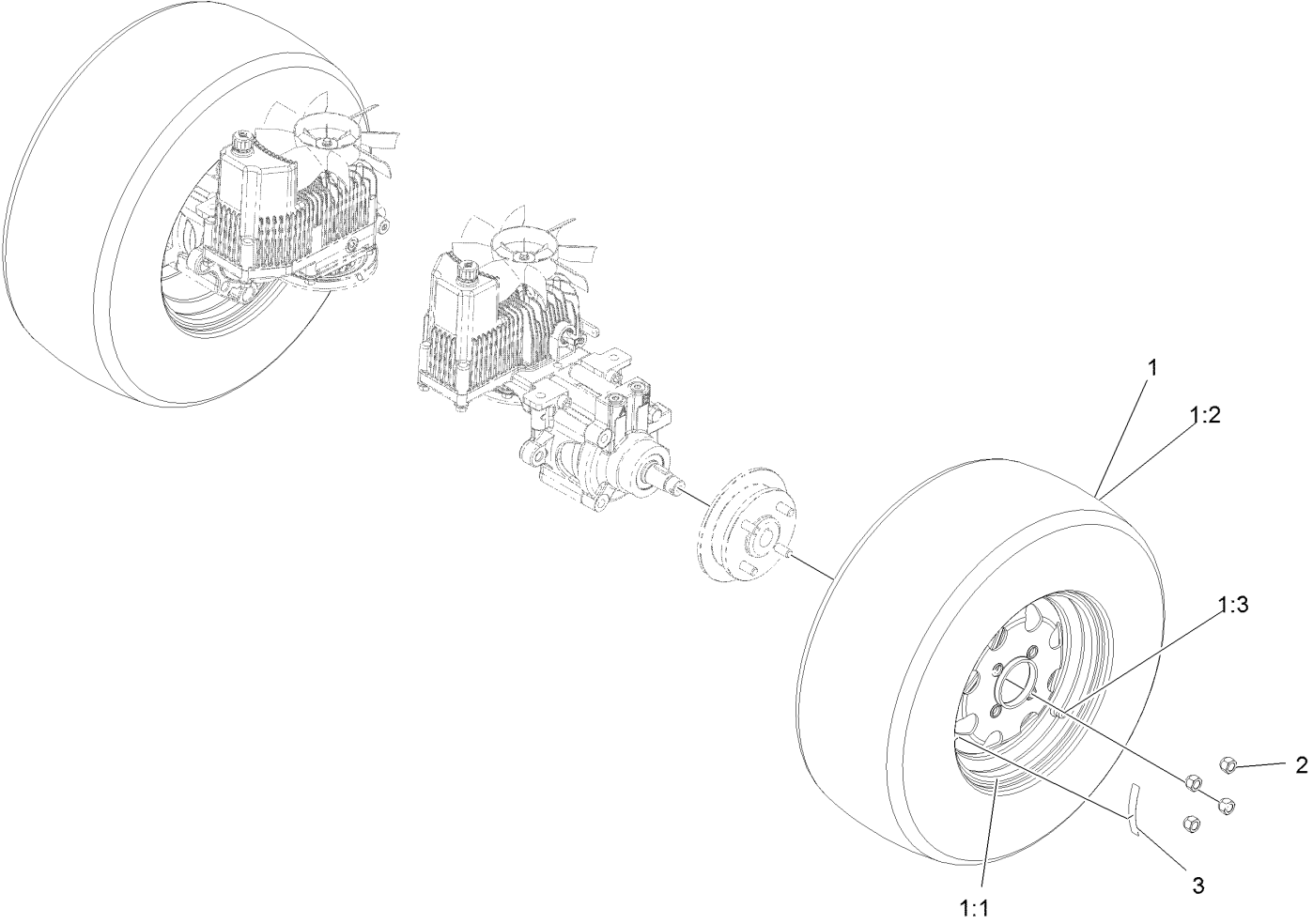


Motion Control Assembly (continued)

<i>Ref.</i>	<i>Part Number</i>	<i>Qty.</i>	<i>Description</i>	<i>Ref.</i>	<i>Part Number</i>	<i>Qty.</i>	<i>Description</i>
1	116-0880	1	RH Motion Control And Bushing ASM	14:2	109-5668	1	Grip-Lever, Control
1:2	109-8054	4	Bushing-Flanged	15	135-4373	1	LH Handle ASM
2	116-0881	1	LH Motion Control And Bushing ASM	15:2	109-5668	1	Grip-Lever, Control
2:2	109-8054	4	Bushing-Flanged	16	104-8301	4	Nut-Nyloc 3/8-16 Flg
3	116-0648	2	Screw-HH 5/16-18 X 1 W/Patch ●	17	323-7	4	Screw-HH 3/8-16 X 1 1/4
4	109-4581	2	Arm-Control, Pump	18	109-5575	2	Spring-Leaf
5	9080046	2	Screw-HH 1/4-20 X 7/8 ●	19	109-8107	2	Pump Linkage Rear ASM
6	1-303435	2	Washer-Spring Disc 1/4	19:2	3219-2	2	Nut-Hex 5/16-24
7	116-0027	2	Damper-Control, Motion	19:3	1-323245	2	Spring-Compression
8	104-8300	8	Nut-Nyloc 5/16-18 Flg	19:4	1-633152	1	Balljoint
9	3230-2	2	Bolt-Carriage 5/16-18 X 1	19:5	1-543017	1	Balljoint
10	109-5891	2	Hub-Threaded	20	109-9505	4	Washer, Spring Disc 1/2
11	325-12	2	Screw-HH 1/2-13 X 3	21	3256-6	2	Washer
12	116-0039	1	Lever-Control Motion, RH	22	32128-56	2	Nut-Hex 1/2-13 Flange
13	116-0040	1	Lever-Control Motion, LH	23	3256-23	2	Washer-5/16 SAE
14	135-4371	1	RH Handle ASM	24	3218-5	2	Nut-Jam 1/2-13
				25	115-1794	2	Screw-Hex Flange 5/16-18 X 1 1/2

● Use Pro-Lock, Nut Type (P/N 1-840022, .5ml tube) on threads.

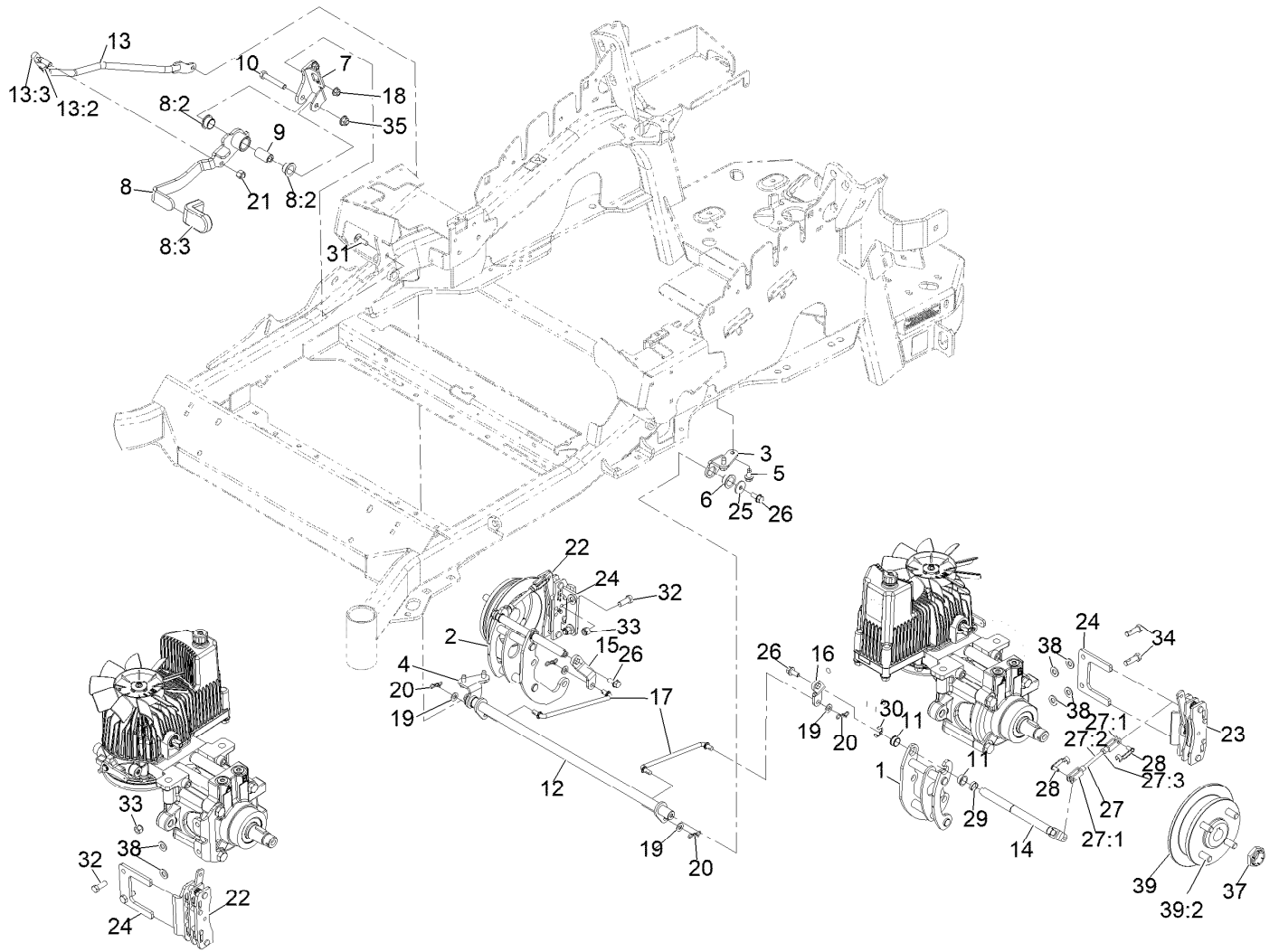
Rear Wheel Assembly



Rear Wheel Assembly (continued)

<i>Ref.</i>	<i>Part Number</i>	<i>Qty.</i>	<i>Description</i>	<i>Ref.</i>	<i>Part Number</i>	<i>Qty.</i>	<i>Description</i>
1	115-3590	2	Wheel And Tire ASM	2	242-50	8	Nut-Lug 1/2-20
1:1	109-3645	1	Rim ASM	3	126-2055	2	Decal-Torque, Wheel Hub Lug
1:2	1-653160	1	Tire				
1:3	232-27	1	Stem-Valve				

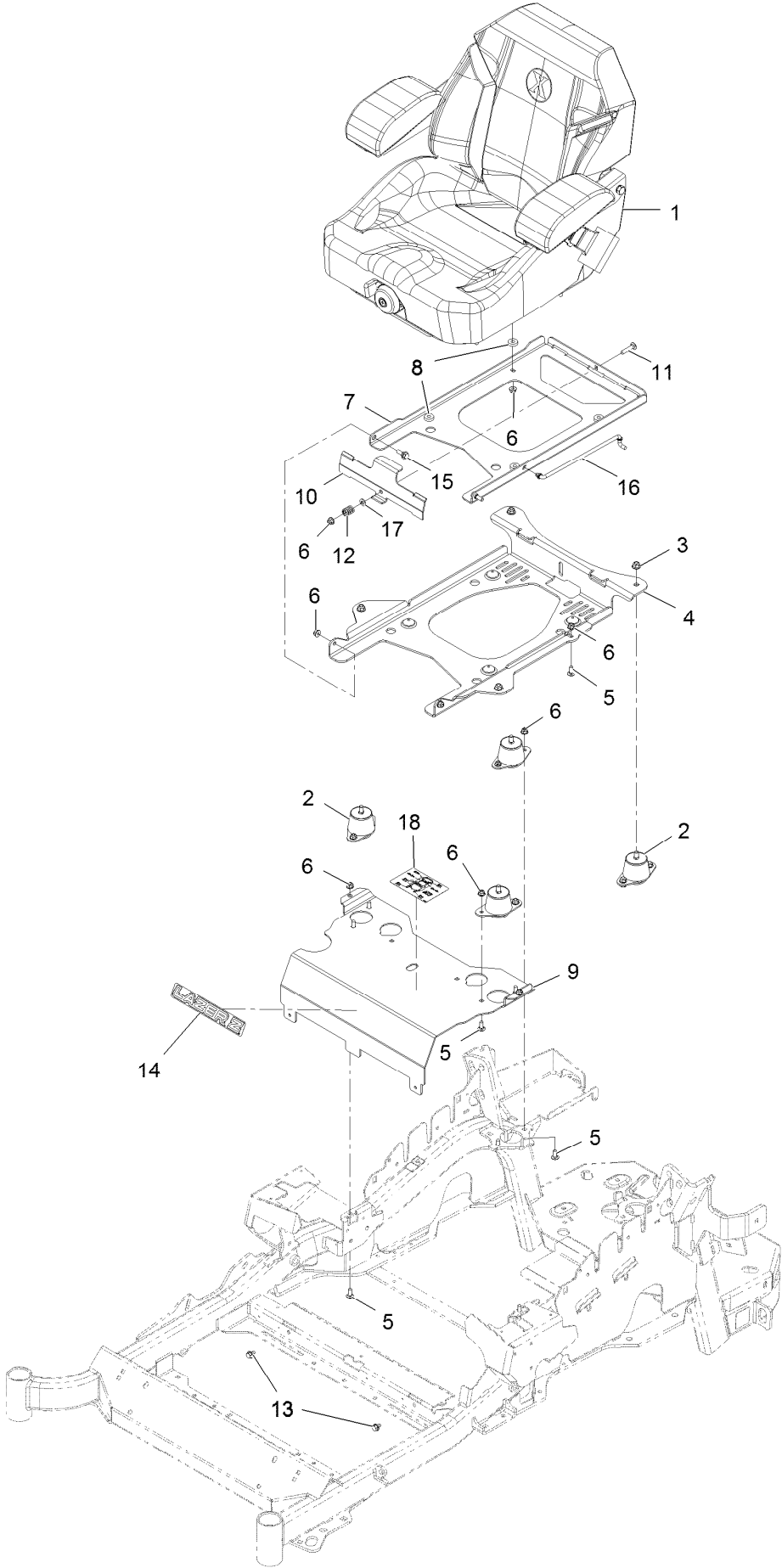
Park Brake Assembly



Park Brake Assembly (continued)

<i>Ref.</i>	<i>Part Number</i>	<i>Qty.</i>	<i>Description</i>	<i>Ref.</i>	<i>Part Number</i>	<i>Qty.</i>	<i>Description</i>
1	126-4248	1	Mount-Bellcrank, LH	20	119-1415	4	Pin-Cotter, Locking
2	126-4249	1	Mount-Bellcrank, RH	21	3296-6	1	Nut-Nyloc 3/8-24
3	116-9681	1	Mount-Pivot, LH	22	135-7440	1	Caliper-Brake, RH
4	116-9682	1	Mount-Pivot, RH	23	135-7441	1	Caliper-Brake, LH
5	32144-70	4	Screw-HWH 5/16-18 X 3/4 Tf	24	135-7828	2	Plate-Mount, Brake
6	109-8054	2	Bushing-Flanged	25	115-7109	2	Washer-Flat
7	116-9096-01	1	Bracket-Mount	26	98-9940	4	Screw-HHF
8	135-7565	1	Brake Lever ASM	27	126-7587	2	Rear Linkage ASM
8:2	109-8054	2	Bushing-Flanged	27:1	126-7588	2	Yoke
8:3	132-4749	1	Grip-Lever	27:2	116-9069	1	Linkage, Rear
9	116-9117	1	Pivot-Handle, Brake	27:3	3220-1	1	Nut-Jam 1/4-28
10	323-11	1	Screw-HH 3/8-16 X 2 1/4	28	126-6395	4	Pin-Clevis, Spring
11	126-6199	4	Bushing	29	126-6200	2	Spacer
12	135-7800	1	Shaft-Cross	30	32120-19	2	E-Ring
13	135-7805	1	ASM, Front Linkage	31	3230-2	2	Bolt-Carriage 5/16-18 X 1
13:2	94-7572	1	End-Tie Rod, RH	32	135-7915	2	Screw-HH,
13:3	3220-3	1	Nut-Jam 3/8-24	33	112-0236	2	Nut-Lock
14	126-4251	2	Bellcrank	34	135-7890	2	Screw-HH, Patch,
15	126-3716	1	Arm-Inner, RH	35	104-8301	1	Nut-Nyloc 3/8-16 Flg
16	126-3715	1	Arm-Inner, LH	37	116-1399	2	Locknut
17	135-7584	2	Wireform, Mid-Link, Lwb	38	3256-24	6	Washer-3/8 SAE
18	104-8300	2	Nut-Nyloc 5/16-18 Flg	39	142-2701	2	Wheel Hub ASM
19	3256-23	4	Washer-5/16 SAE	39:2	116-1696	4	Stud-Wheel

Seat Assembly



Seat Assembly (continued)

<i>Ref.</i>	<i>Part Number</i>	<i>Qty.</i>	<i>Description</i>	<i>Ref.</i>	<i>Part Number</i>	<i>Qty.</i>	<i>Description</i>
1	116-8912	1	Kit-Suspension Seat	10	109-9881-03	1	Plate-Latch, Seat
2	109-9034	4	Isolator-Seat	11	3230-4	1	Bolt-Carriage 5/16-18 X 1 1/2
3	104-8301	4	Nut-Nyloc 3/8-16 Flg	12	107-3017	1	Spring-Compression
4	116-3860-03	1	Plate-Tilt, Seat Support	13	9266934	2	Screw-HWH 5/16 X 1/2 Tf
5	3230-23	11	Bolt-Carriage 5/16-18 X 3/4 Short Neck	14	126-6574	1	Decal, Lazer Model
6	104-8300	18	Nut-Nyloc 5/16-18 Flg	15	116-1297	2	Screw-Shoulder
7	116-3859-03	1	Plate-Frame, Seat	16	116-0070	1	Rod-Prop
8	26-4840	4	Spacer-Pin, Mounting	17	3256-23	1	Washer-5/16 SAE
9	116-2130-03	1	Panel-Front, Seat Mount	18	114-4465	1	Decal-Service Aid

Seat Assembly (cont.)

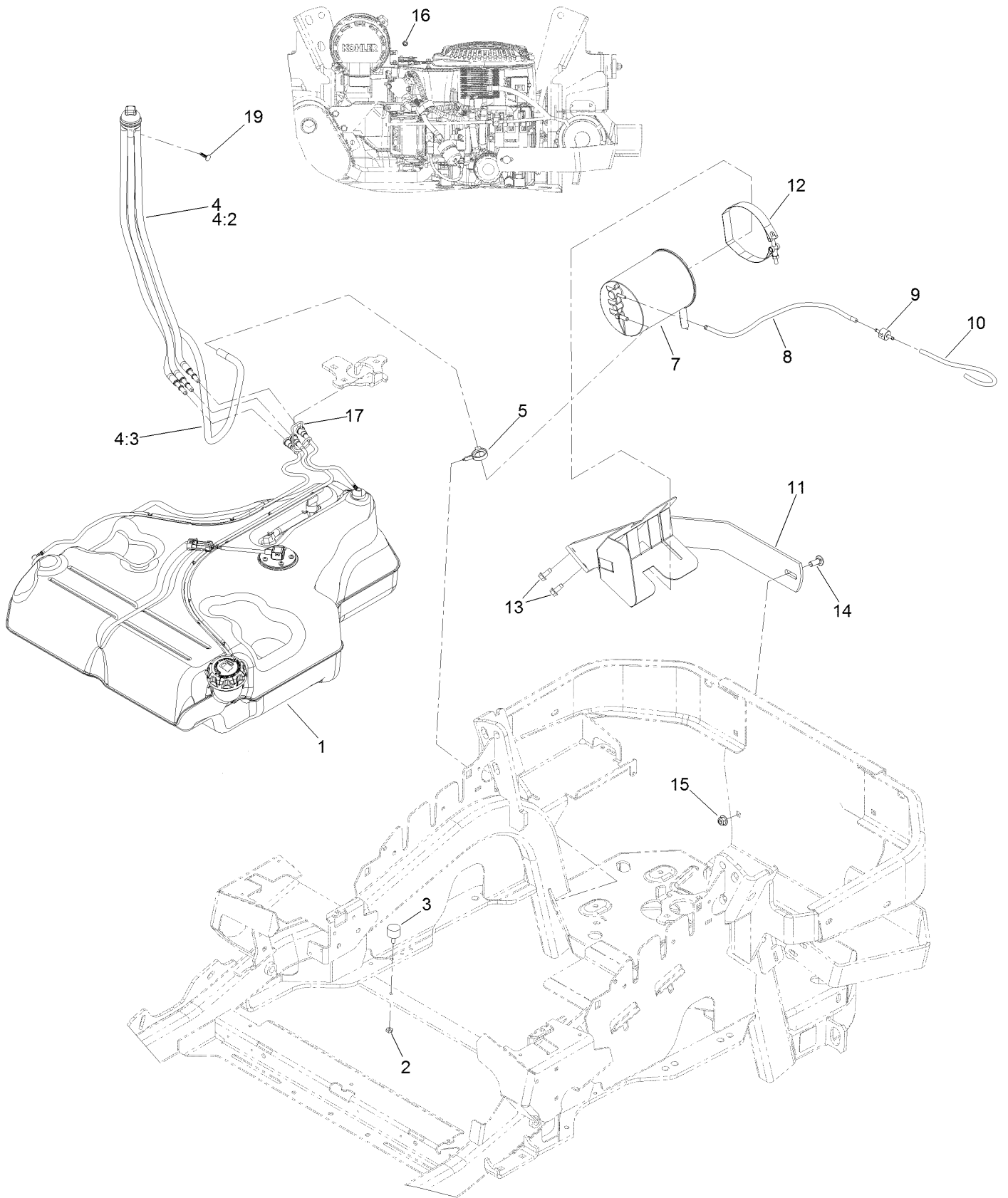


Seat Assembly (cont.) (continued)

<i>Ref.</i>	<i>Part Number</i>	<i>Qty.</i>	<i>Description</i>	<i>Ref.</i>	<i>Part Number</i>	<i>Qty.</i>	<i>Description</i>
2	116-8910	1	Seat Track Set	7	126-2061	1	Seat Belt Service Kit
3	116-8908	1	Cover-Back 311463Vn500	8	116-8906	1	Kit-Arm Rest Set
4	116-8909	1	Cover-Cushion 311464Vn500	9	116-8905	1	Kit-Arm Rest Pads
5	116-8911	1	Knob-Adjuster	10	82-2190	1	Switch
6	116-5659	1	Cover-Suspension Bellows	11	116-9329	4	Spacer
				12	126-9918-03	2	Stop, Seat ●

● Used on Diesel models only

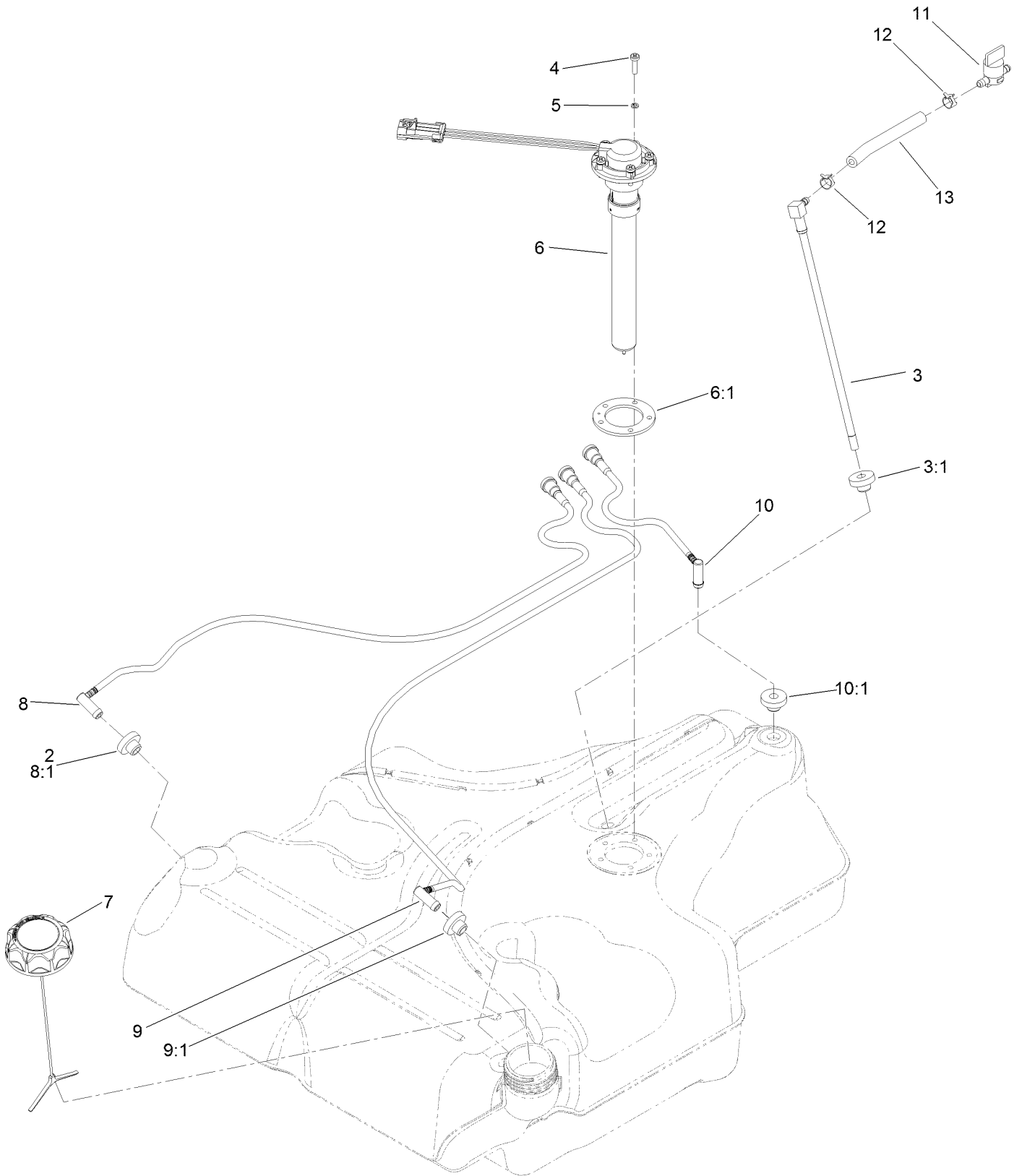
Fuel Assembly



Fuel Assembly (continued)

<i>Ref.</i>	<i>Part Number</i>	<i>Qty.</i>	<i>Description</i>	<i>Ref.</i>	<i>Part Number</i>	<i>Qty.</i>	<i>Description</i>
1	135-0643	1	Fuel Tank ASM	10	119-4235	1	Hose-Vent, Formed
2	3218-1	2	Nut-Jam 1/4-20	11	116-1433-03	1	Mount-Canister
3	1-523420	2	Bumper	12	116-2228	1	Clamp, T-Bolt
4	127-0583	1	Fuel Manifold Vent ASM	13	32144-70	2	Screw-HWH 5/16-18 X 3/4 Tf
4:2	109-0302	3	Hose-Fuel Line 24"	14	3231-22	1	Bolt-Carriage 3/8-16 X 1
4:3	108-5376	1	Hose-Fuel	15	104-8301	1	Nut-Nyloc 3/8-16 Flg
5	105-1853	1	Clamp-Hose	16	116-4464	1	Plug-Port
7	116-1442	1	Canister-Carbon, 1200Cc	17	116-6005	1	Retainer-Line, Vapor
8	116-2963	1	Hose-Vent, Formed	19	125-8067	1	Plug-Plastic
9	133-8499	1	Valve-Check, Vacuum				

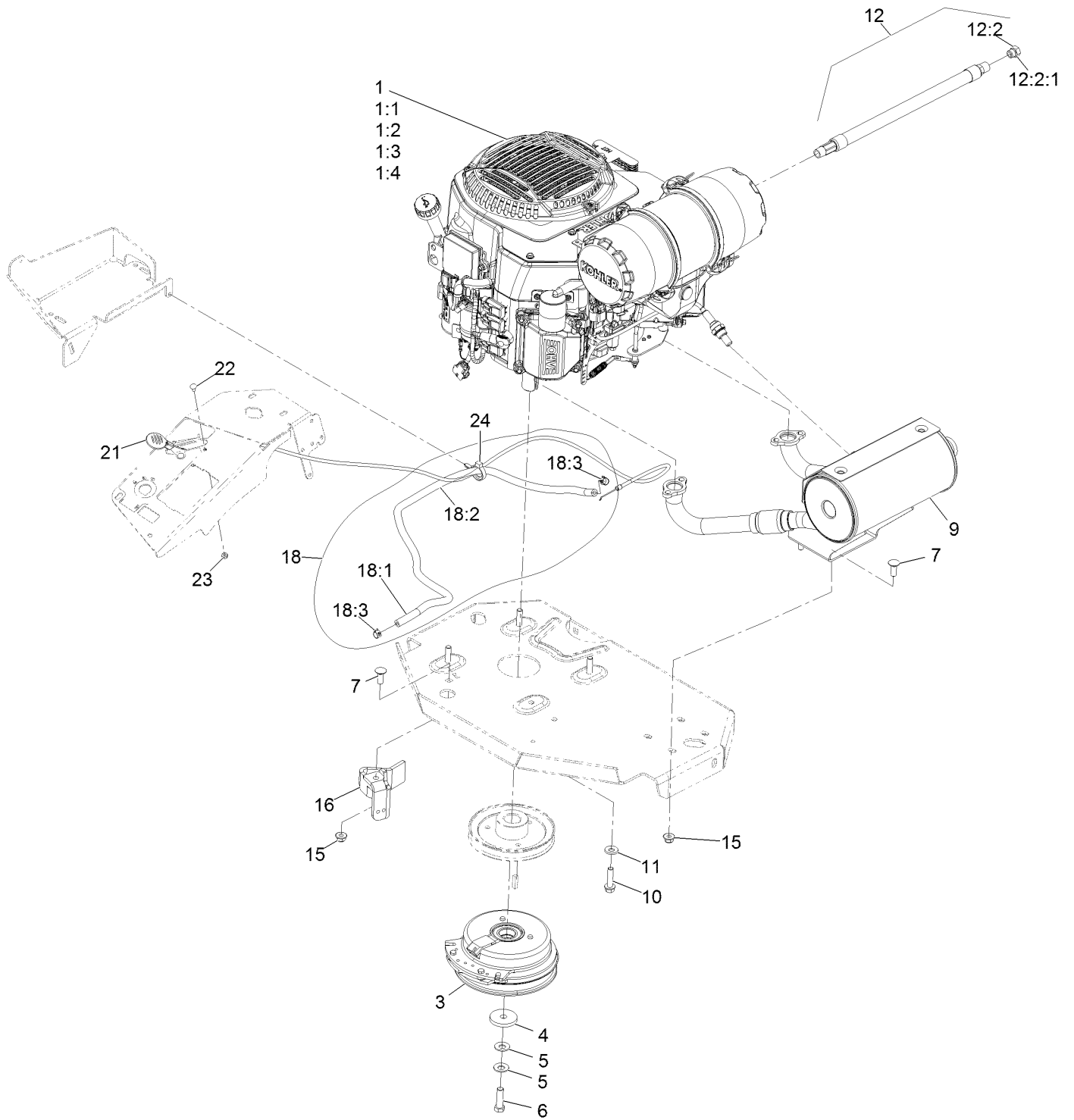
Fuel Tank Assembly



Fuel Tank Assembly (continued)

<i>Ref.</i>	<i>Part Number</i>	<i>Qty.</i>	<i>Description</i>	<i>Ref.</i>	<i>Part Number</i>	<i>Qty.</i>	<i>Description</i>
2	46-6560	4	Bushing	8:1	46-6560	1	Bushing
3	116-2459	1	Fuel Line Kit (With Grommet)	9	116-2461	1	LH Vent Line Kit (With Grommet)
3:1	46-6560	1	Bushing	9:1	46-6560	1	Bushing
4	3290-500	5	Screw-PPH	10	116-2462	1	Rear Vent Line Kit (With Grommet)
5	3253-17	5	Washer-Lock	10:1	46-6560	1	Bushing
6	126-3913	1	Float-Sender, Fuel	11	1-603770	1	Valve-Fuel
6:1	126-3950	1	Gasket-Sender	12	2412-98	2	Clamp-Hose
7	126-1789	1	Cap-Fuel, Ratcheting	13	109-0650	1	Hose-Fuel
8	116-2460	1	RH Vent Line Kit (With Grommet)				

Engine Assembly



Engine Assembly (continued)

<i>Ref.</i>	<i>Part Number</i>	<i>Qty.</i>	<i>Description</i>	<i>Ref.</i>	<i>Part Number</i>	<i>Qty.</i>	<i>Description</i>
1		1	Engine-Kohler Ecv740-3059 ▲◆	10	32144-102	4	Screw-HWH 3/8-16 X 1 1/2 Taptite
1:1		1	Kohler 52 050 02-S Engine Oil Filter ▲◆	11	98-5975	4	Washer-Spring Disc 3/8
1:2		1	Kohler 25 083 01-S Engine Air Filter ▲◆	12	116-5316	1	Oil Drain Hose ASM ■
1:3		1	Kohler 25 083 04-S Safety Filter ▲◆	12:2	353-508	1	Plug-W/O-Ring ●
1:4		1	Kohler 25 050 42-S Fuel Filter ▲◆	12:2:1	237-42	1	O-Ring
3	116-1620	1	Clutch Kit	15	104-8301	5	Nut-Nyloc 3/8-16 Flg
4	109-6919	1	Washer-Clutch	16	116-2612-01	1	Clutch-Anchor
5	1-603610	2	Washer-Spring Disc 7/16	18	117-3893	1	Fuel Line ASM
6	109-9761	1	Screw-HH 7/16-20 X 1 1/2 W/Loctite □	18:1	109-0273	1	Hose-Fuel Line 38 1/4"
7	3231-22	5	Bolt-Carriage 3/8-16 X 1	18:2	117-3892	1	Sleeve-Thermal
9	142-2899	1	Kit,Muffler	18:3	2412-98	2	Clamp-Hose
				21	116-0969	1	ASM,Throttle Cable
				22	1-807513	2	Bolt-Carriage #10-24 X 1/2
				23	3296-2	2	Nut-Nyloc #10-24
				24	105-1853	1	Clamp-Hose

● Torque to 24-26 ft-lb

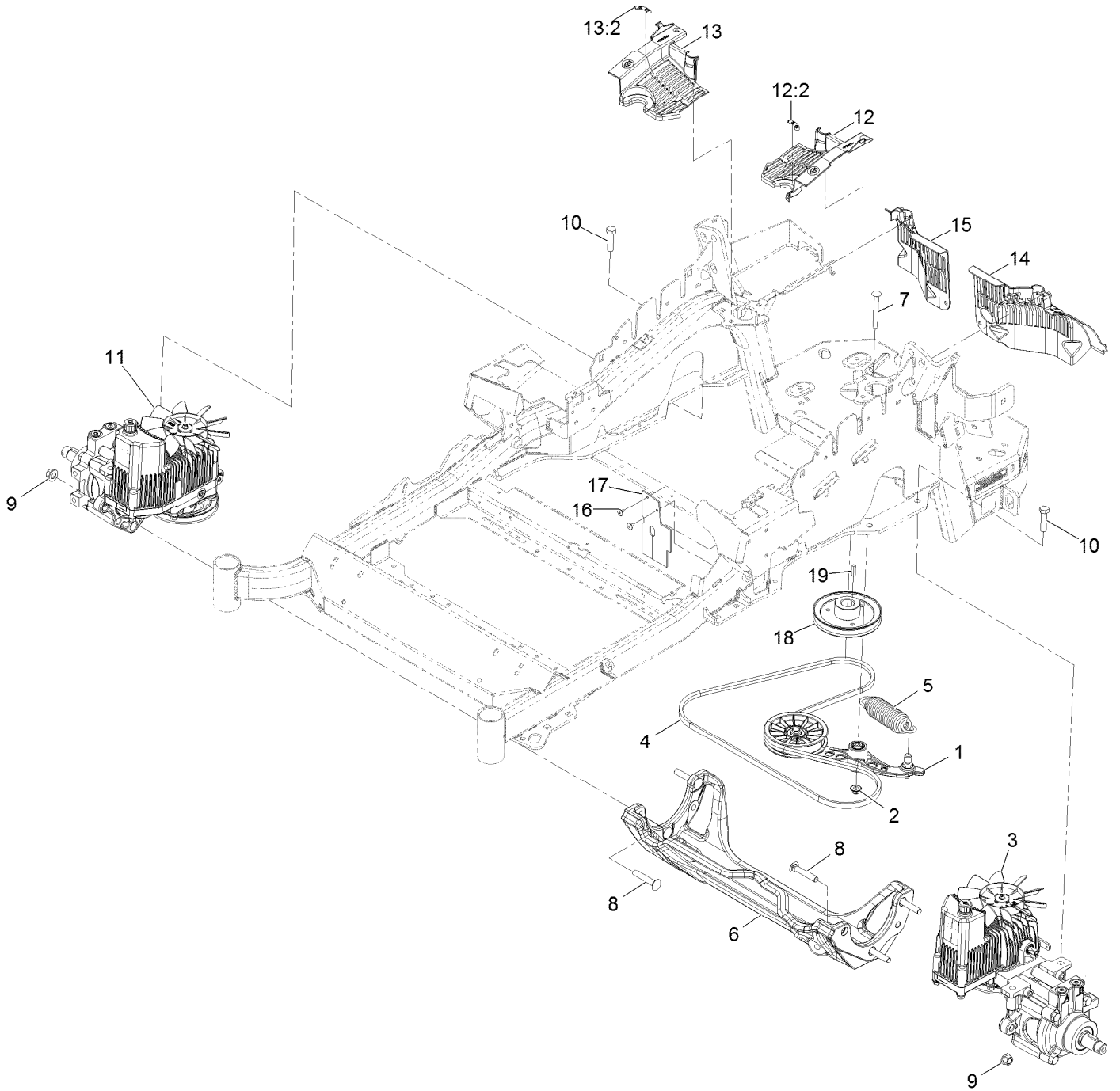
▲ Not serviced separately

□ Use Pro-Lock, Nut Type (P/N 1-840022, .5ml tube) on threads.

■ Torque to 17-23 ft-lb

◆ Obtain parts from www.kohlerplus.com

Hydraulic Assembly

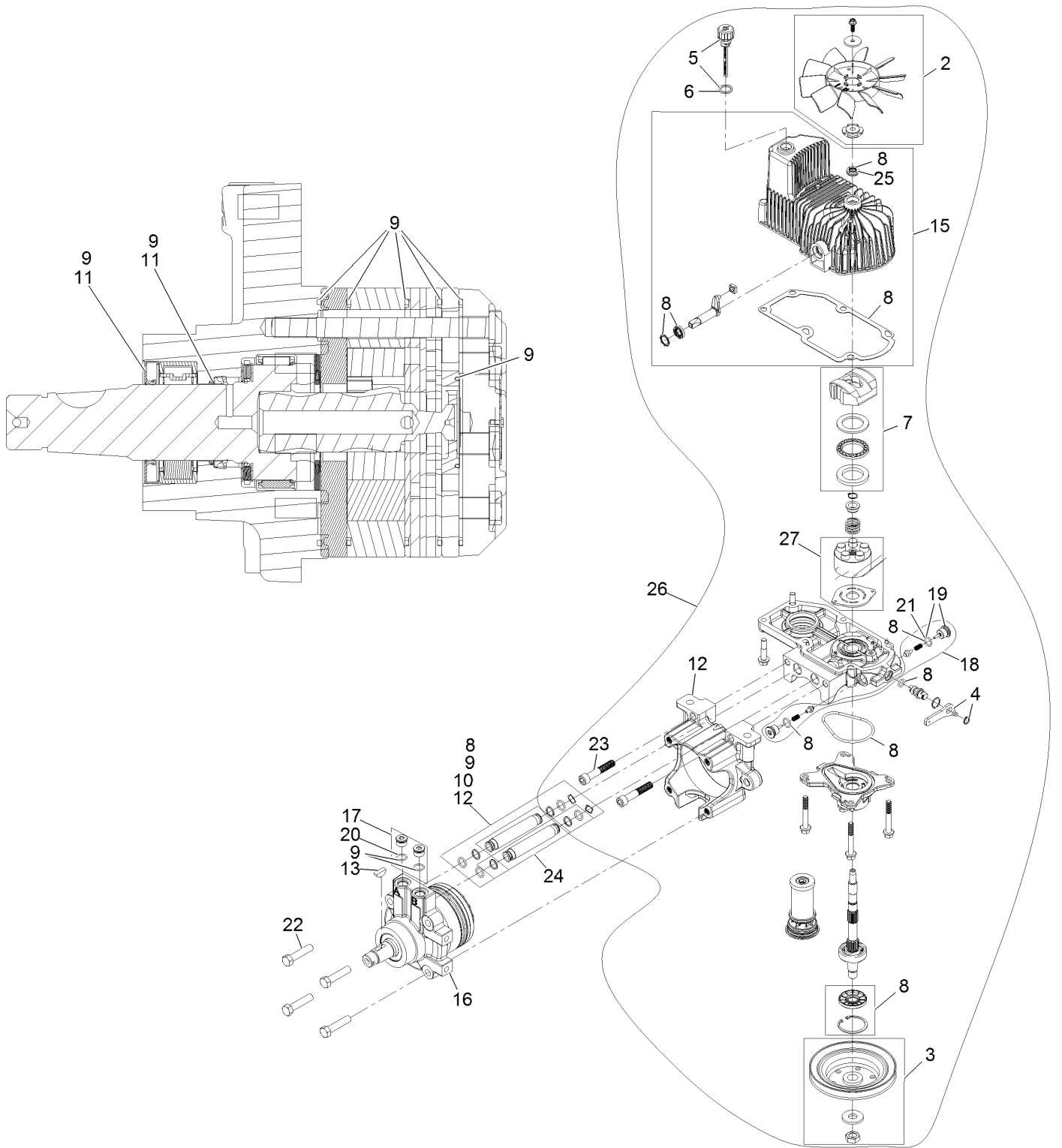


Hydraulic Assembly (continued)

<i>Ref.</i>	<i>Part Number</i>	<i>Qty.</i>	<i>Description</i>	<i>Ref.</i>	<i>Part Number</i>	<i>Qty.</i>	<i>Description</i>
1	116-1255	1	Pump Idler ASM	12:2	116-8726	1	Decal-Oil, Hydro
2	109-6658	1	Nut-Nyloc 3/8-16 Flg	13	116-0171	1	RH Hydro Guard ASM
3	135-7899	1	Hydro-LH	13:2	116-8726	1	Decal-Oil, Hydro
4	126-9835	1	Belt-V	14	109-9057	1	Guard-Hydro, Rear (LH)
5	116-6317	1	Spring-Extension	15	109-9058	1	Guard-Hydro, Rear (RH)
6	116-7558	1	Cradle-Hydro	16	1-803035	2	Rivet 3/16 X 1/4
7	116-1502	1	Bolt-Carriage Shoulder 3/8-16 X 3 1/2	17	116-2362	1	Deflector-Air Flow
8	126-0095	6	Bolt-Carriage 1/2-13 X 2 3/4	18	109-9905	1	Sheave
9	99-5107	6	Nut-Lock 1/2-13	19	1-807259	1	Key-Machine 1/4 X 1/4 X 1
10	325-8	4	Screw-HH 1/2-13 X 1 1/4	99	109-9828	1	Oil-HYD, (Quart) ●
11	135-7900	1	Hydro-RH	99	116-0164	1	Filter-Hydro ●
12	116-0170	1	LH Hydro Guard ASM	99	116-1218	1	Oil-HYD, 1 Gallon ●
				99	126-8103	1	Kit, Hydro Service ●

● Not illustrated

LH Hydro Assembly No. 135-7899

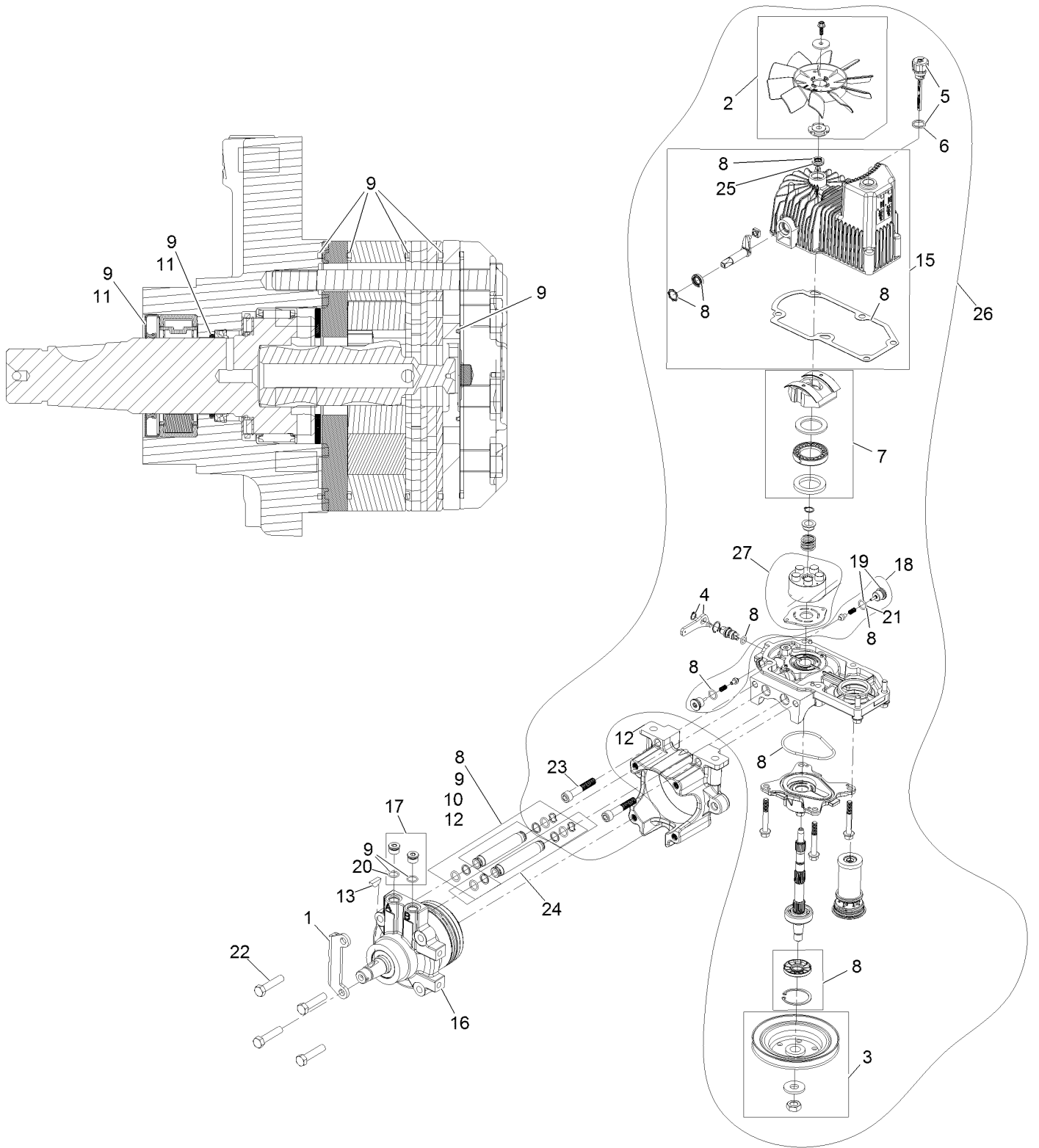


LH Hydro Assembly No. 135-7899 (continued)

<i>Ref.</i>	<i>Part Number</i>	<i>Qty.</i>	<i>Description</i>	<i>Ref.</i>	<i>Part Number</i>	<i>Qty.</i>	<i>Description</i>
2	142-3603	1	Kit, 7.8 In Fan	17	116-7901	1	Magnetic Plugs Service Kit
3	116-0234	1	Pulley Kit	18	142-3605	1	ASM, Check Valve
4	116-0235	1	Handle	19	116-1631	2	Plug-Check (W/O-Ring)
5	116-0236	1	Dipstick	20	76-1900	2	O-Ring
6	116-0237	1	Gasket	21	116-8662	2	O-Ring-Valve, Check
7	116-1367	1	Swash Block Kit	22	116-8974	4	Screw HH
8	142-3604	1	Kit, Pump Seal	23	116-8975	2	Screw-HSH
9	116-1369	1	Motor Seal Kit	24	116-9922	2	Hydraulic Tube Kit
10	116-1370	1	Tube Seal Kit	25	126-7711	1	Seal-Drive, Fan
11	116-1371	1	Output Shaft Seal Kit	26	142-3609	1	Kit, Pump Section 12Cc LH
12	116-5469	1	Cup-Nose	27	142-4500	1	Kit - 12Cc Port Plate, Rotate Grp
13	3257-42	1	Key-Woodruff				
15	142-4460	1	Kit, Housing-Hydro LH	99	116-1373	1	Flow Test Kit ●
16	116-8915	1	Motor-Hydraulic	99	116-4245	1	Puller-Pulley ●

● Not illustrated

RH Hydro Assembly No. 135-7900



RH Hydro Assembly No. 135-7900 (continued)

<i>Ref.</i>	<i>Part Number</i>	<i>Qty.</i>	<i>Description</i>	<i>Ref.</i>	<i>Part Number</i>	<i>Qty.</i>	<i>Description</i>
1	135-7827	1	Plate, Horse Shoe Mount	17	116-7901	1	Magnetic Plugs Service Kit
2	142-3603	1	Kit, 7.8 In Fan	18	142-3605	1	ASM, Check Valve
3	116-0234	1	Pulley Kit	19	116-1631	2	Plug-Check (W/O-Ring)
4	116-0235	1	Handle	20	76-1900	2	O-Ring
5	116-0236	1	Dipstick	21	116-8662	2	O-Ring-Valve, Check
6	116-0237	1	Gasket	22	116-8974	4	Screw HH
7	116-1367	1	Swash Block Kit	23	116-8975	2	Screw-HSH
8	142-3604	1	Kit, Pump Seal	24	116-9922	2	Hydraulic Tube Kit
9	116-1369	1	Motor Seal Kit	25	126-7711	1	Seal-Drive, Fan
10	116-1370	1	Tube Seal Kit	26	142-3608	1	Kit, Pump Section 12Cc RH
11	116-1371	1	Output Shaft Seal Kit	27	142-4500	1	Kit - 12Cc Port Plate, Rotate Grp
12	116-5469	1	Cup-Nose				
13	3257-42	1	Key-Woodruff	99	116-1373	1	Flow Test Kit ●
15	142-4461	1	Kit, Housing-Hydro RH	99	116-4245	1	Puller-Pulley ●
16	116-8916	1	Motor-Hydraulic RH 240Cc				

● Not illustrated

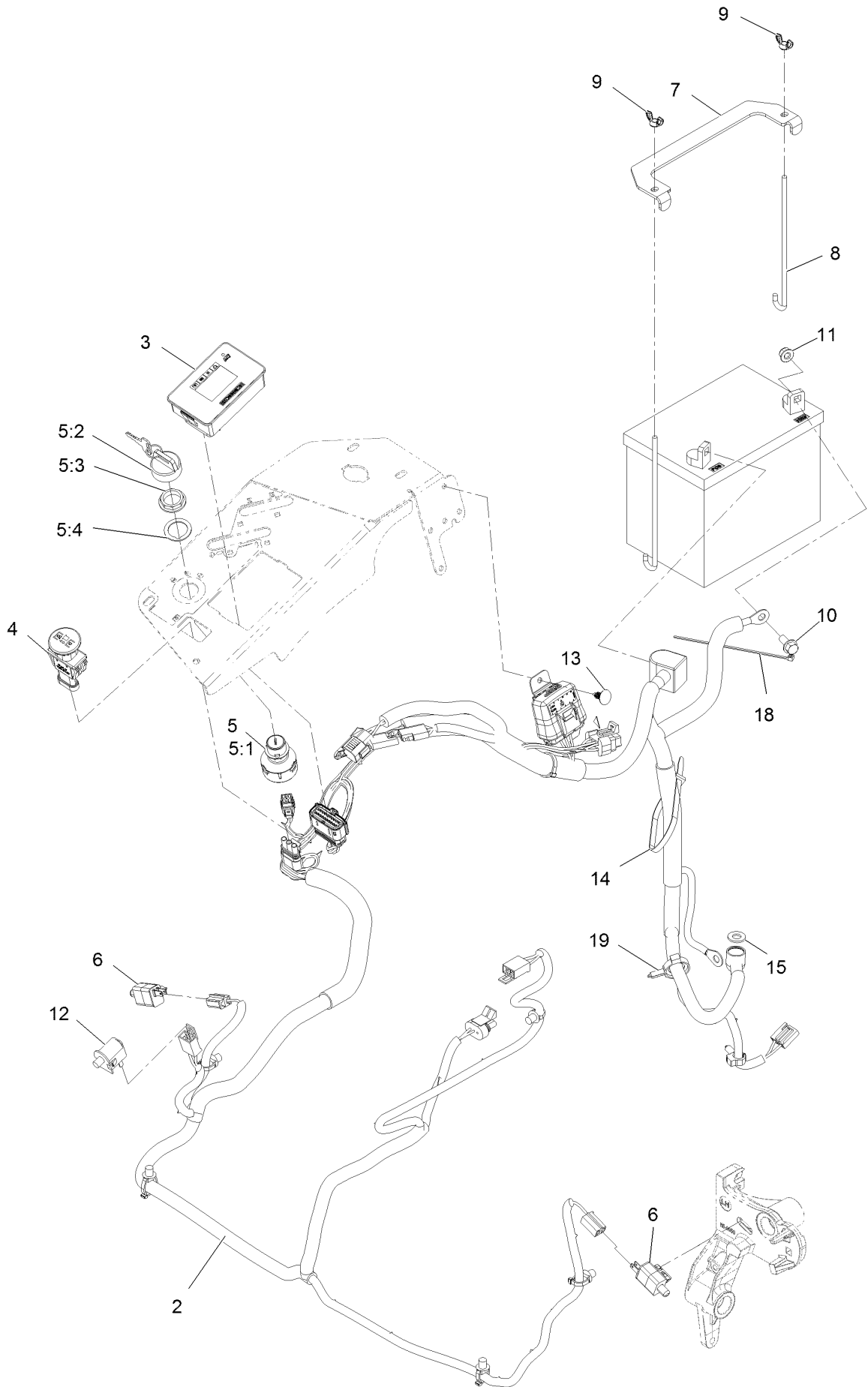
Pump Idler Assembly No. 116-1255



Pump Idler Assembly No. 116-1255 (continued)

<i>Ref.</i>	<i>Part Number</i>	<i>Qty.</i>	<i>Description</i>	<i>Ref.</i>	<i>Part Number</i>	<i>Qty.</i>	<i>Description</i>
2	43-0940	1	Spacer	8	323-8	1	Screw-HH
3	103-3504	2	Bearing-Spherical	9	32120-10	2	Ring-Snap
4	103-3505	1	Seal-Lip, Double	10	302-19	1	Fitting-Grease
5	103-3506	1	Seal-Lip, Single	11	109-8076	1	Pulley-Idler
6	109-6658	1	Nut-Flange, NI	12	132-4724	1	Pin-Anchor, Spring
7	106-7159	2	O-Ring				

Electrical Assembly

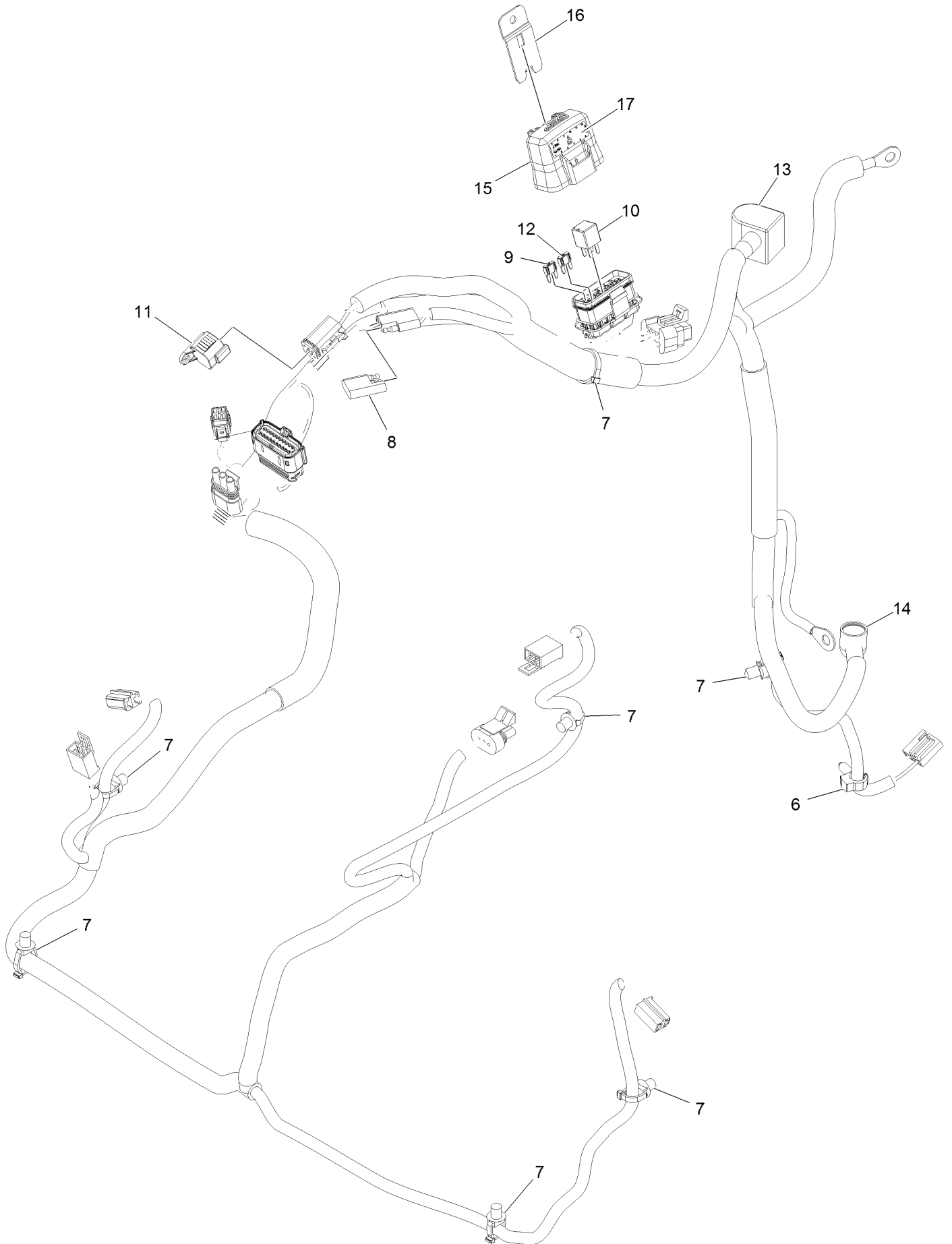


Electrical Assembly (continued)

<i>Ref.</i>	<i>Part Number</i>	<i>Qty.</i>	<i>Description</i>	<i>Ref.</i>	<i>Part Number</i>	<i>Qty.</i>	<i>Description</i>
2	135-5753	1	Wire Harness ASM	8	1-633651	2	Bolt-Holddown
3	135-2471	1	Meter-Hour	9	1-543792	2	Wingnut
4	126-6187	1	Switch-PTO, Sealed	10	3234-5	2	Screw-HHF
5	126-6285	1	Ignition Switch ASM	11	104-8300	2	Nut-HF, NI
5:1		1	Switch-Ignition ●	12	82-2190	1	Switch-Bail
5:2	108-8660	1	Nut-Mounting	13	117-2382	1	Plug-Plastic
5:3	106-5270	1	Ignition Key Set	14	3290-378	1	Tie-Cable
5:4	108-8659	1	Washer-Backup	15	3256-24	1	Washer-Flat
6	110-6765	2	Switch	18	1-303287	1	Tie-Cable
7	116-0042-03	1	Strap-Tie Down, Battery	19	105-1853	1	Clamp-Hose

● Not serviced separately

Harness Assembly



Harness Assembly (continued)

<i>Ref.</i>	<i>Part Number</i>	<i>Qty.</i>	<i>Description</i>	<i>Ref.</i>	<i>Part Number</i>	<i>Qty.</i>	<i>Description</i>
6	32180-037	1	Clip-Harness	12	121-8867	1	Fuse-Mini Blade, 15 Amp
7	32180-030	7	Clip-Tie	13	126-8876	1	Insulator-Battery
8	32180-197	1	Cap-Plug	14	1-543393	1	Insulator-Solenoid
9	121-8868	1	Fuse-Mini Blade, 20 Amp	15	32180-176	1	Cover-Block, Fuse
10	126-3991	1	Relay-Micro	16	32180-177	1	Clip-Mounting
11	32180-156	1	Cap-Plug, 6 Way	17	126-7875	1	Decal-Fuse

Notes:



MAXIMIZE THE PERFORMANCE OF YOUR EXMARK MACHINE.



EXMARK® PREMIUM ENGINE OIL

Exmark now offers a family of engine oil viscosities to perform well in any environment. Each viscosity has the same synthetic formulation to give you what you need in punishing conditions. We designed each grade to the highest quality, making it ideal even for diesel applications. Coupled with Exmark Premium Fuel Treatment, we have the performance products to make your machine hum.

EXMARK PREMIUM ENGINE OIL SAE 30/10W-30

- Meets zero shear requirements of a straight grade SAE 30 as well as the cold temp properties of a 10W-30.
- Most versatile oil in the industry.
- Superior corrosion protection over conventional oil - even in corrosive, humid environments.

EXMARK PREMIUM ENGINE OIL SAE 20W-50

- Perfect for your big block engine, or any application in severe service.
- Same full synthetic formulation as all other Exmark Premium viscosities.
- Also effective for use in severe service small block engines.

EXMARK PREMIUM ENGINE OIL SAE 10W-50

- Full synthetic formulation gives you peak performance. Don't settle for less.
- Wide span multi-grade combines easy starting in cold weather with maximum protection in high temperature operation.
- Reduce friction & wear over standard mineral formulations.

EXMARK PREMIUM ENGINE OIL SAE 0W-40

- The perfect choice for when the weather turns cold or unpredictable, and your Exmark UTV has to perform.
- Commercial quality for severe service.
- Advanced additive package helps prevent corrosion from long-term storage.

EXMARK PREMIUM ENGINE OIL UTV FORMULATION

- 4-cycle high-temp formulation.
- Heavier viscosity, full synthetic, perfect for your UTV.

EXMARK PREMIUM UTV EXTREME CONDITIONS GEAR OIL

- SAE 80W-90, designed to keep your UTV performing at its peak.
- Shear stable, hypoid gear lube.
- Includes a premium additive system to combat wear, oxidation, rust & corrosion.

Available from your local Exmark dealer. Find your closest dealer at exmark.com

EXMARK ACCESSORIES AND OPTIONS*

MID-MOUNT RIDING ACCESSORIES AND OPTIONS

CUSTOM RIDE SEAT SUSPENSION SYSTEM	OPERATOR CONTROLLED DISCHARGE
FULL SUSPENSION SEAT	SUN SHADE
DECK LIFT ASSIST KIT	TRASH CONTAINER
HITCH KIT	TURF STRIPER
LIGHT KIT	ULTRA VAC COLLECTION SYSTEM
12V POWER PORT	ULTRA VAC QUICK DISPOSAL SYSTEM
MICRO-MULCH SYSTEM	

OUT-FRONT RIDING ACCESSORIES AND OPTIONS

CUSTOM RIDE SEAT SUSPENSION SYSTEM	SNOW BLADE
DUAL-TAIL WHEEL	SNOWBLOWER
FLOOR PAN EXTENDER	SUN SHADE
HITCH KIT	TRASH CONTAINER
LIGHT KIT	ULTRA VAC COLLECTION SYSTEM
MICRO-MULCH SYSTEM	ULTRA VAC QUICK DISPOSAL SYSTEM
ROLL OVER PROTECTION SYSTEM (ROPS)	WEATHER CAB

WALK-BEHIND ACCESSORIES AND OPTIONS

GRASS CATCHER	TURF STRIPER
MICRO-MULCH SYSTEM	STANDON

*Some accessories and options not available for some models.

Place Model No. and Serial No.
Label Here (Included in the Literature
Pack) or Fill in Below

Model No. _____

Serial No. _____

Date Purchased _____

Engine Model No. and Spec. No. _____

Engine Serial No. (E/No) _____

© 2020 Exmark Mfg. Co., Inc.
415 Industrial Row
Beatrice, NE 68310
All Rights Reserved

Part No. 4504-630 Rev. B
(402) 223-6375
Fax (402) 223-5489
Printed in the USA.

