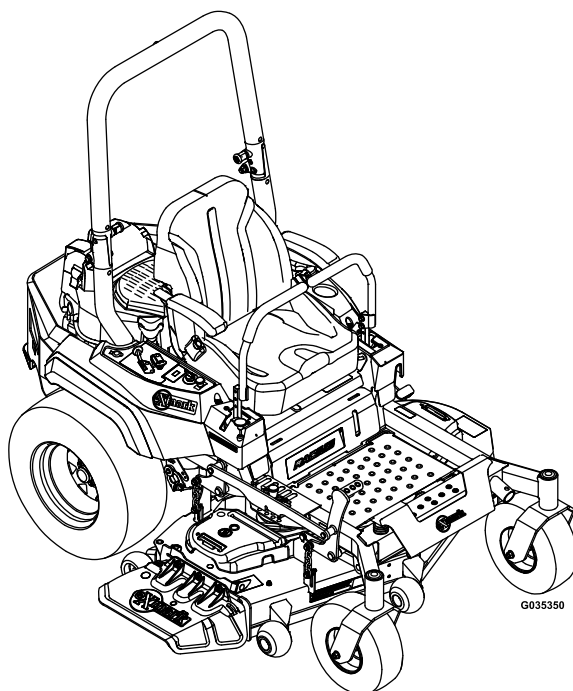




# **RADIUS® X-SERIES**

Model No. RAX651GKA484A3—Serial No. 406294345 and Up

Picture below may not reflect actual product.



# **Parts Manual**

# Ordering Replacement Parts

To order replacement parts, please supply the part number, the quantity, and the description of each part desired.

## Understanding Reference Numbers

Each identified part in an illustration has a reference number. The reference number for a part also appears in the parts list, along with other information about the part.

This catalog uses two special reference number formats, one to indicate parts in a service assembly and another to indicate the quantity of a given part in an illustration.

## Service Assembly Reference Numbers

Parts in service assemblies have reference numbers in the form a:b. The a represents the reference number of the entire service assembly and the b represents a sequential number unique to each part within the service assembly.

For example, a wheel assembly might be identified by reference number 6, the tire by 6:1, the valve by 6:2, and the wheel by 6:3. When you order the assembly identified by reference number 6, you receive all parts identified by reference numbers 6:1, 6:2, and 6:3. However, you may also order any part individually. Reference numbers of this type appear in illustration and in parts lists.

## Reference Numbers Indicating Quantity

In an illustration, if a reference number indicates more than one part, the reference number has the form nX y. The n represents the quantity of the part, the X is the multiplication symbol, and the y represents the reference number.

For example, in an illustration, the reference number 2X 37 means that two of the parts identified by reference number 37 are indicated.

# Touch Up Paint

Exmark black touch up spray paint – gloss black.

Exmark red touch up paint (spray paint – P/N 1-850337 - .6 oz liquid bottle – P/N 103-9140).

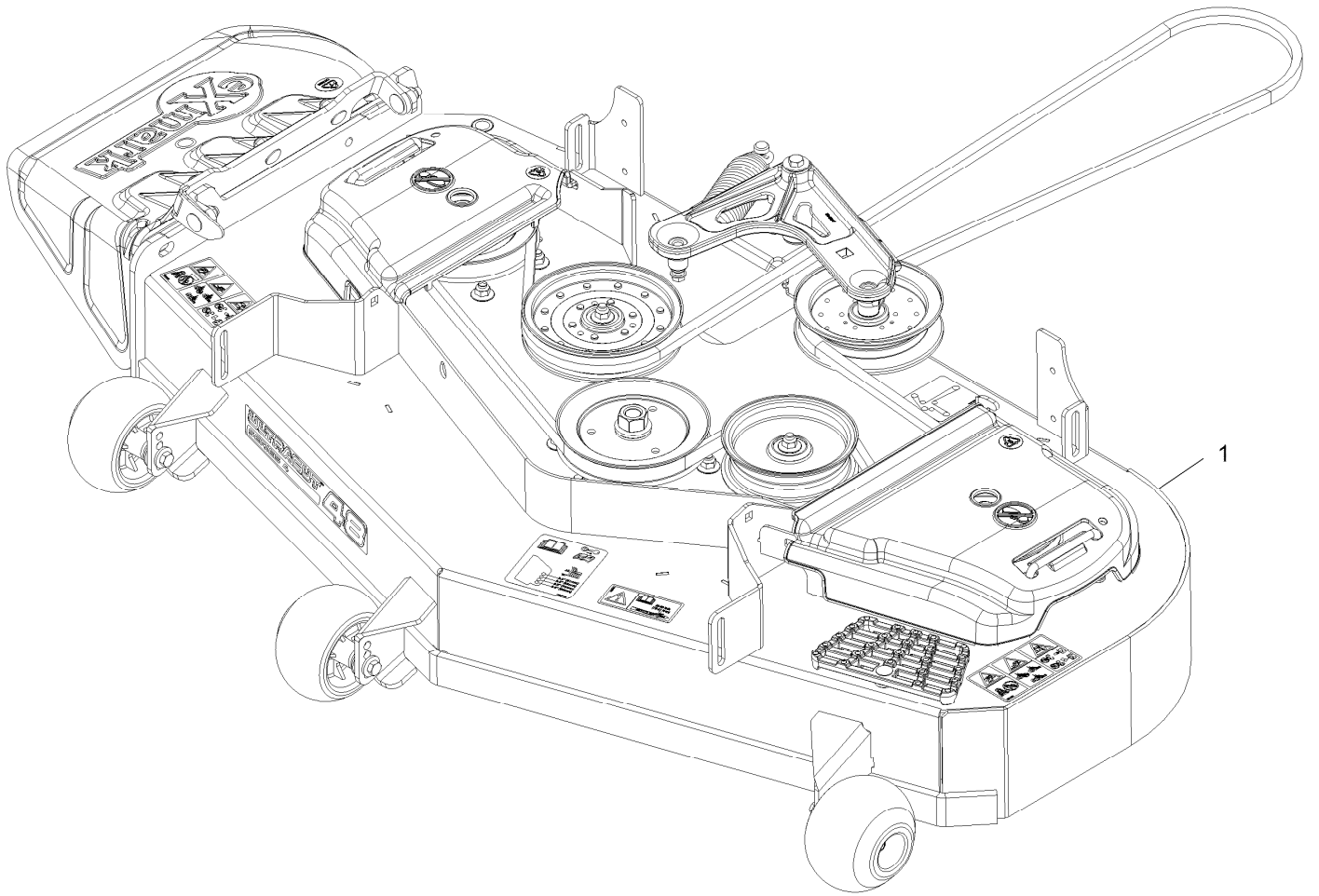


If your Exmark dealer does not have the Exmark part in stock, Exmark will get the parts to the dealer the next business day or the part will be FREE Guaranteed!! (Some restrictions apply. See your participating Exmark Dealer for details.)

## Contents

Complete Deck Assembly.....	4
Deck Assembly.....	6
Deck W/Decals Assembly.....	8
Idler Arm W/Bearings Assembly.....	10
Main Frame Assembly.....	12
Caster Tire Assembly.....	14
Caster Wheel and Fork Assembly.....	16
Roll-Over Protection System Assembly.....	18
Deck Lift Assembly.....	20
Deck Strut Assembly.....	22
Motion Control Assembly.....	24
LH and RH Motion Control Assembly.....	26
Control Panel Assembly.....	28
Seat Assembly.....	30
Seat Assembly (cont.).....	32
Seat Latch Assembly.....	34
Fuel Assembly.....	36
Fuel Tank Assembly (cont.).....	38
Engine Assembly.....	40
Rear Wheel Assembly.....	42
Hydraulic Assembly.....	44
LH Transaxle Assembly No. 126-2883.....	46
RH Transaxle Assembly No. 126-2884.....	48
Electrical Assembly.....	50
Harness Assembly.....	52

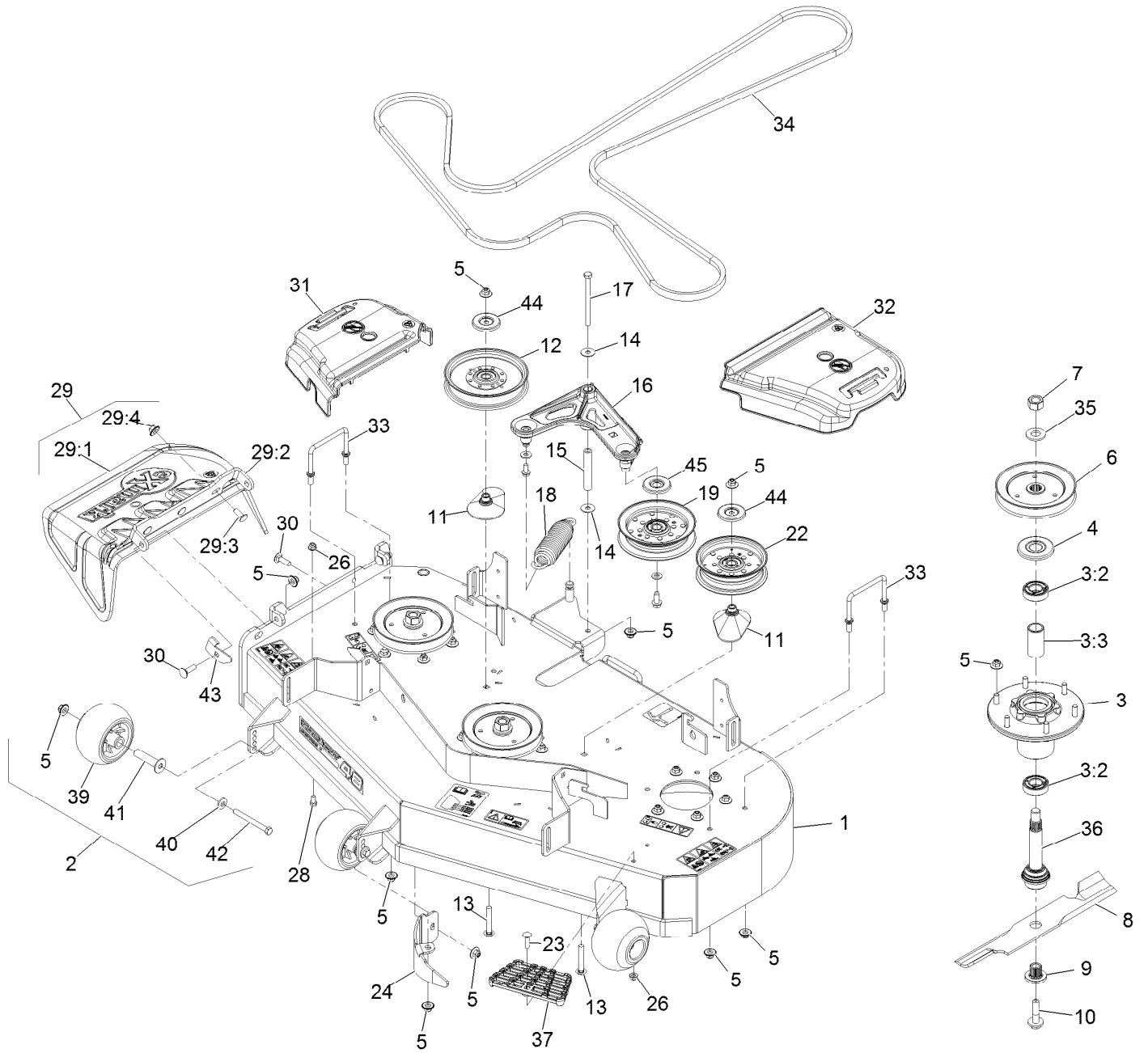
# Complete Deck Assembly



# Complete Deck Assembly (continued)

<i>Ref.</i>	<i>Part Number</i>	<i>Qty.</i>	<i>Description</i>
1	126-8037	1	ASM-Deck Complete 484

# Deck Assembly



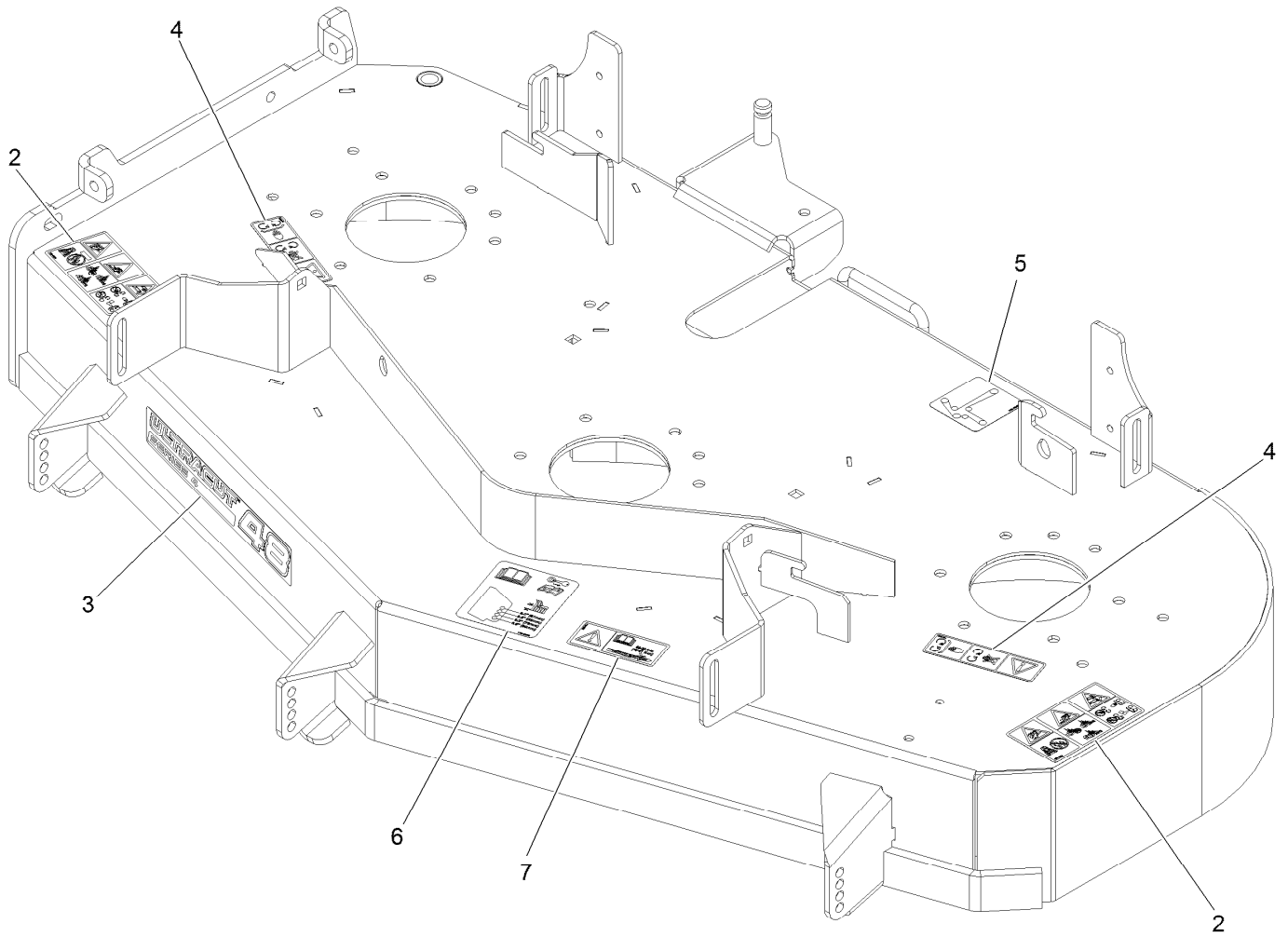
## Deck Assembly (continued)

<i>Ref.</i>	<i>Part Number</i>	<i>Qty.</i>	<i>Description</i>	<i>Ref.</i>	<i>Part Number</i>	<i>Qty.</i>	<i>Description</i>
1	126-3584	1	ASM-Deck W/Decals 484	23	3230-3	1	Bolt-Carriage 5/16-18 X 1 1/4
2	116-9981	3	Kit, Anti-Scalp Roller	24	116-5995-01	1	Baffle-Dogleg,Lzs Lzx Vt48
3	116-3344	3	ASM-Cutter Hsg With Bearings	26	104-8300	2	Nut-Nyloc 5/16-18 Flg
3:2	116-0720	2	Bearing-Ball	28	322-2	1	Screw-HH 5/16-18 X 5/8
3:3	116-3312	1	Spacer-Bearing	29	109-7188	1	ASM,Discharge Chute
4	116-1286	3	Guard,Bearing Top .989	29:1	109-2738	1	Chute, Discharge
5	109-6658	31	Nut-Nyloc 3/8-16 Flg	29:2	109-8675-01	1	Bracket,Discharge Chute
6	116-0674	3	Sheave,Blade Drive 5.90	29:3	3231-22	3	Bolt-Carriage 3/8-16 X 1
7	116-7306	3	Nut-Hex	29:4	109-6658	3	Nut-Nyloc 3/8-16 Flg
8	116-5177	3	Blade-Extreme 2, 16.25" ●	30	3231-25	3	Bolt-Carriage 3/8-16 X 1 1/4
8	103-6401	3	Blade-Notched	31	109-6935	1	Cover-Belt, RH
8	103-6391	3	Blade, Mulching ■	32	109-6936	1	Cover-Belt, LH
8	103-6386	3	Blade, Low Lift ●	33	109-6982	2	Wireform-Cover
8	103-6381	3	Blade, Solid ●	34	126-6626	1	Belt-V
9	103-3037	3	Bushing, Splined	35	103-2802	3	Washer-Spring Disc 3/4
10	109-9220	3	Screw-Sems 1/2-20 X 2.19	36	116-3341	3	ASM-Spindle And Seal
11	109-2872	2	Spacer-Pulley	37	126-4781-03	1	Step-Deck
12	126-9189	1	Idler-Pulley, Flat 6.00X1.00	39	103-8415	3	Roller-Anti-Scalp
13	3231-44	2	Bolt-Carriage 3/8-16 X 2 1/2	40	98-5975	3	Washer-Spring Disc 3/8
14	52-2860	2	Washer	41	116-8131	3	Axle, Roller
15	116-5111	1	Bushing	42	116-9362	3	Screw-HH 3/8-16 X 3 3/4 GR 8
16	126-0976	1	Idler Arm ASM	43	135-0064	1	Stop-Discharge Chute
17	323-38	1	Screw-HH 3/8-16 X 4 3/4	44	126-8043	2	Shield-Dust
18	116-6317	1	Spring-Extension	45	126-9195	1	Shield-Guard, Dust
19	126-9196	1	Idler-Pulley, Flat				
22	126-9197	1	Idler-Pulley, Flat 5.00X1.31				

● Optional Equipment

■ Requires installation of mulch kit for proper mulching. See your Exmark dealer for details.

# Deck W/Decals Assembly

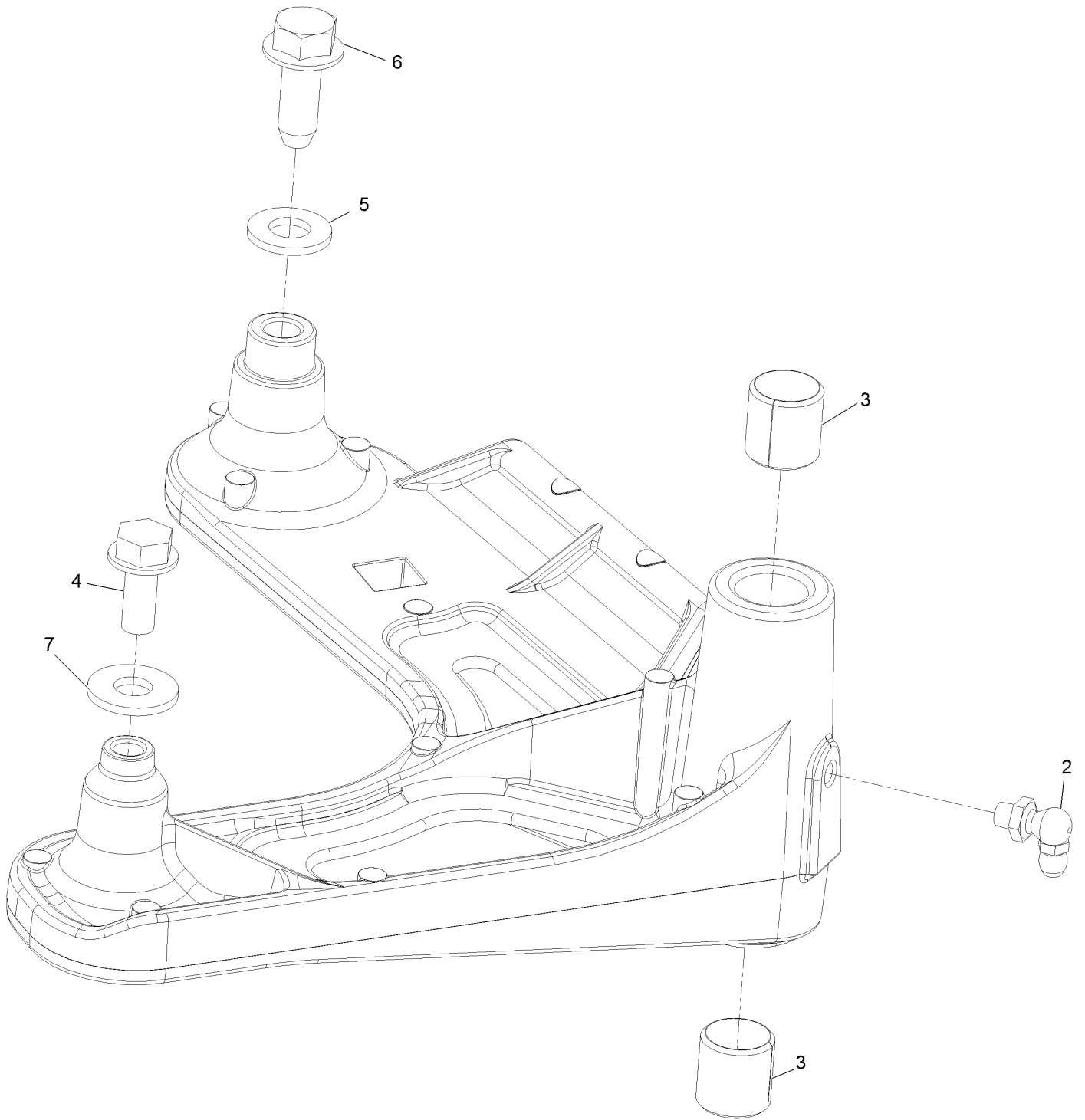




## Deck W/Decals Assembly (continued)

<i>Ref.</i>	<i>Part Number</i>	<i>Qty.</i>	<i>Description</i>	<i>Ref.</i>	<i>Part Number</i>	<i>Qty.</i>	<i>Description</i>
2	126-6464	2	Decal-Danger Thrown Objects	5	109-6035	1	Decal-Routing, Belt
3	126-6587	1	Decal, 484	6	109-6036	1	Decal-Roller, Anti-Scalp
4	112-9028	2	Decal-Cover, Missing	7	116-8283	1	Decal-Bolt Torque

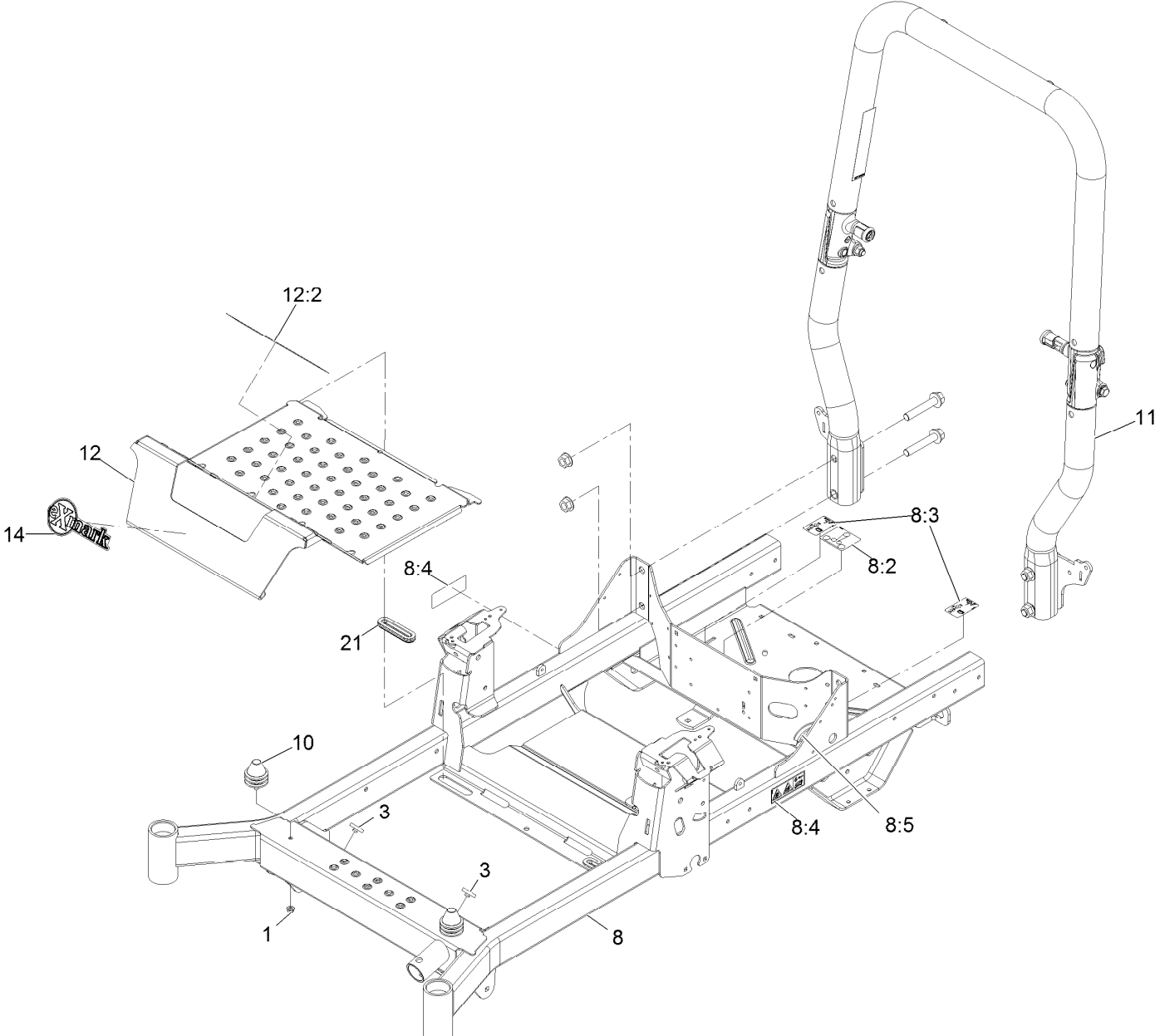
# Idler Arm W/Bearings Assembly



## Idler Arm W/Bearings Assembly (continued)

<i>Ref.</i>	<i>Part Number</i>	<i>Qty.</i>	<i>Description</i>	<i>Ref.</i>	<i>Part Number</i>	<i>Qty.</i>	<i>Description</i>
2	302-40	1	Zerk-90° 1/4-28	5	3256-24	1	Washer-3/8 SAE
3	1-513034	2	Sleeve-Bearing	6	126-1696	1	Screw-Forming, Thread
4	32144-11	1	Screw-HWH 5/16-18 X 3/4 Tf	7	3256-3	1	Washer-5/16 Std

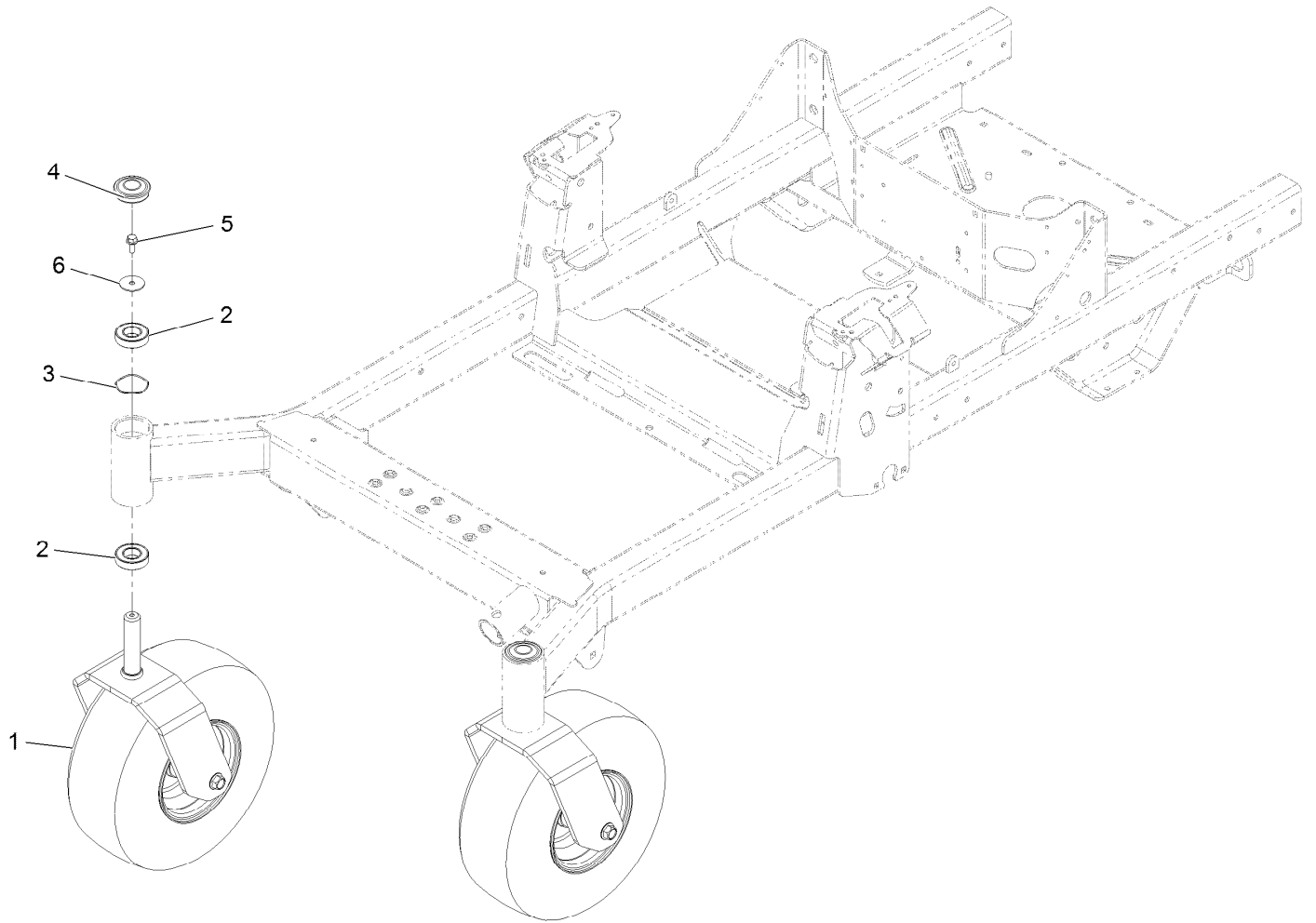
# Main Frame Assembly



## Main Frame Assembly (continued)

<i>Ref.</i>	<i>Part Number</i>	<i>Qty.</i>	<i>Description</i>	<i>Ref.</i>	<i>Part Number</i>	<i>Qty.</i>	<i>Description</i>
1	104-8300	2	Nut-Nyloc 5/16-18 Flg	10	126-5491	2	Isolator
3	109-9233	2	Bumper-Push-In, Rubber	11	126-9525	1	ASM-ROPS Tapered
8	126-4699	1	Frame ASM	12	126-5872	1	Pan-Floor
8:2	109-6014	1	Decal-Routing, Belt	12:2	126-8383	1	Decal-Danger
8:3	116-8588	2	Decal-Release, Drive	14	126-8819	1	Decal-Exmark Logo
8:4	126-4363	2	Decal-Warning	21	126-7065	2	Grommet-Rubber
8:5	127-6618	1	Strip-Seal				

# Caster Tire Assembly

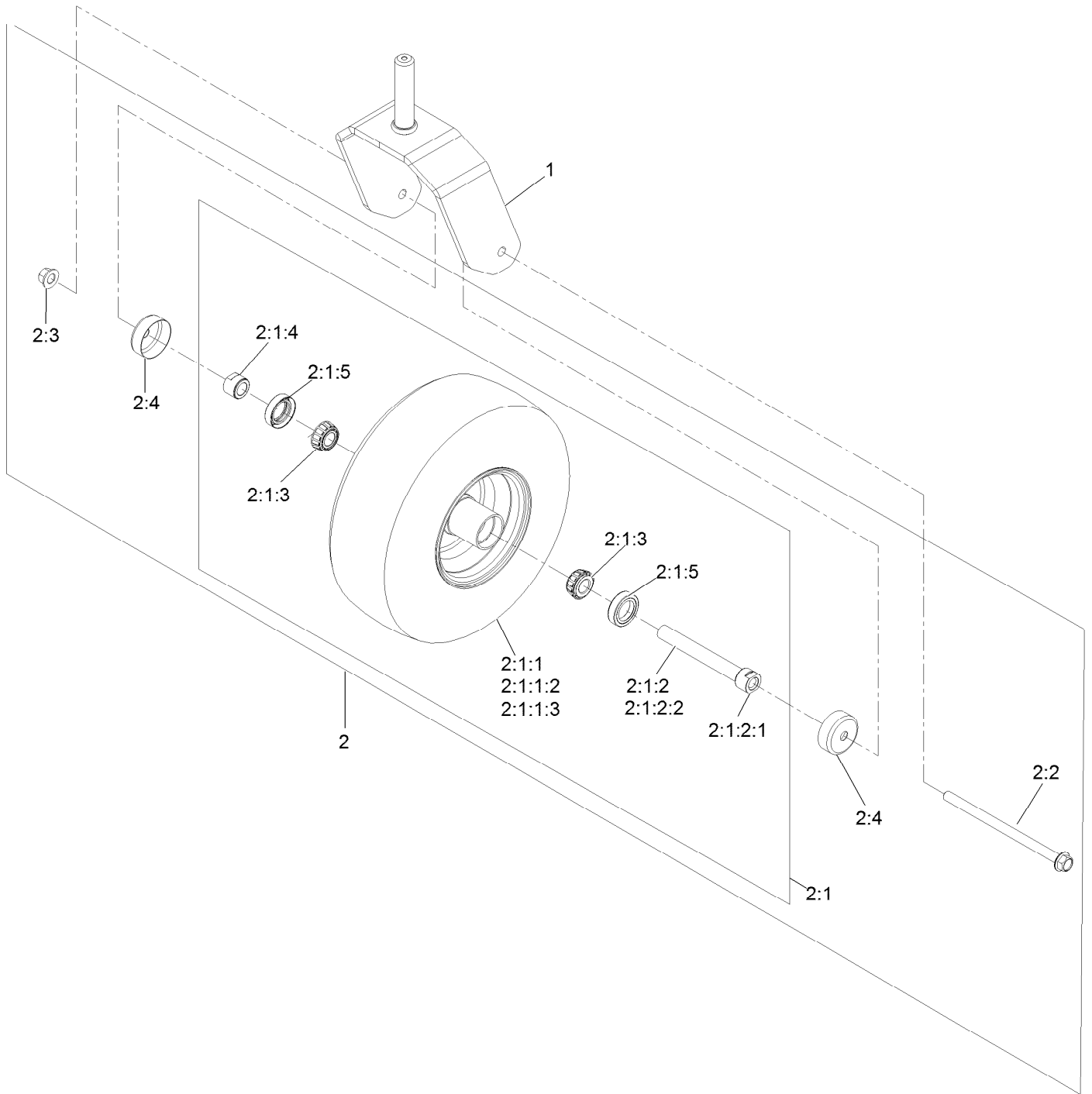


## Caster Tire Assembly (continued)

<i>Ref.</i>	<i>Part Number</i>	<i>Qty.</i>	<i>Description</i>	<i>Ref.</i>	<i>Part Number</i>	<i>Qty.</i>	<i>Description</i>
1		2	ASM-Front Caster W/Fork ●	4	116-4348	2	Cap-Grease
2	109-3678	4	Bearing-Ball	5	3234-5	2	Screw-HH Flg 5/16-18 X 3/4
3	126-5897	2	Spring	6	3256-68	2	Washer-Flat

● Not serviced separately

# Caster Wheel and Fork Assembly



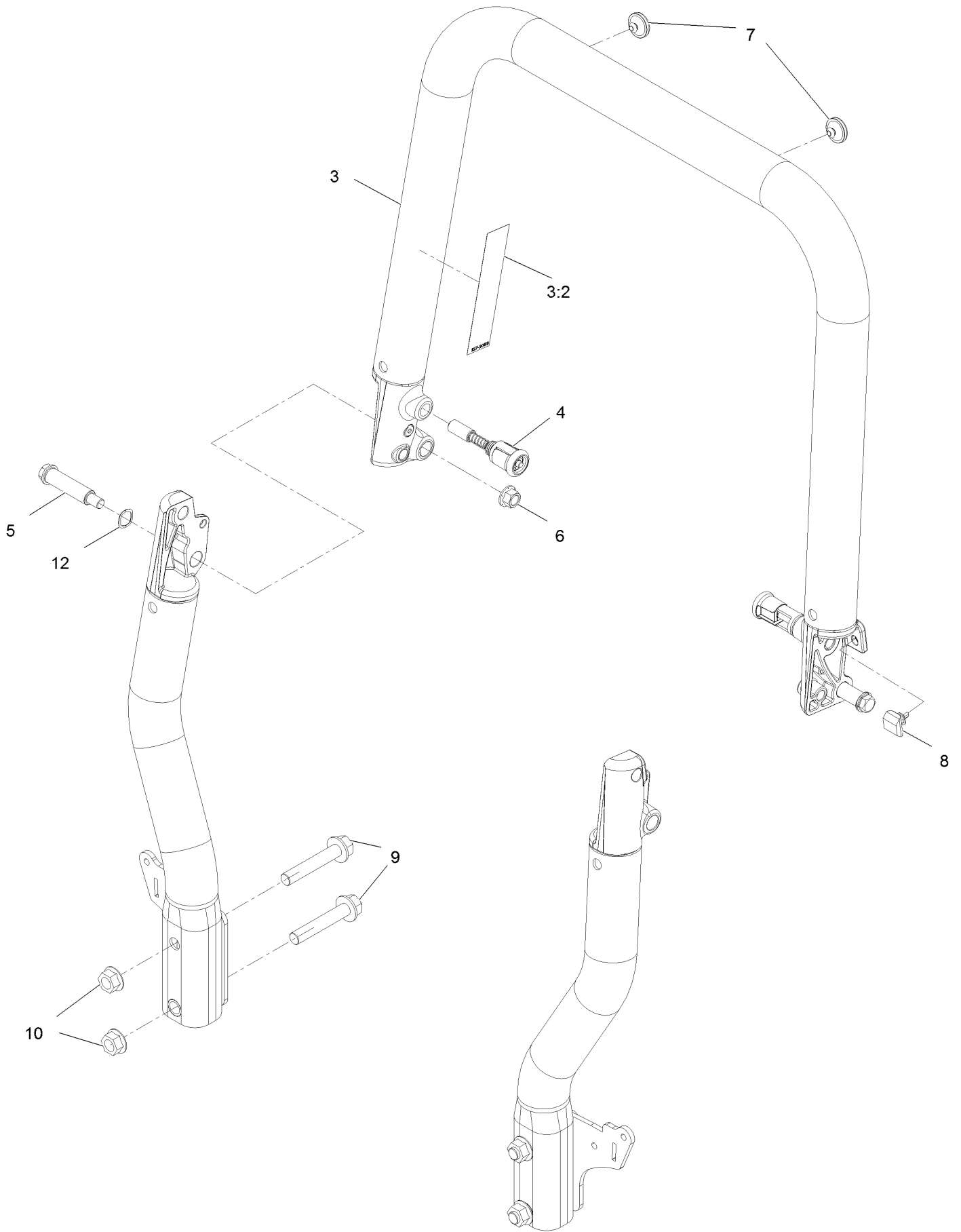


## Caster Wheel and Fork Assembly (continued)

<i>Ref.</i>	<i>Part Number</i>	<i>Qty.</i>	<i>Description</i>	<i>Ref.</i>	<i>Part Number</i>	<i>Qty.</i>	<i>Description</i>
1	126-4312-01	1	Fork-Caster	2:1:2:1	126-5220	1	Axle-Caster
2	126-7752	1	ASM-Wheel Brgs Axle 13X6.50-6	2:1:2:2	103-3051	1	Spacer-Nut
2:1		1	ASM-Wheel And Brgs, 13X6.50-6 ●	2:1:3	1-633585	2	Bearing-Cone Tapered Roller
2:1:1		1	ASM-Wheel And Tire 13X6.50-6 ●	2:1:4	103-3051	1	Spacer-Nut
2:1:1:2	5108	1	Valve	2:1:5	103-0063	2	Seal-Double Lip
2:1:1:3	126-5959	1	Tire	2:2	126-5389	1	Screw-HHF
2:1:2	126-7796	1	Caster Axle ASM	2:3	99-5107	1	Nut-Lock 1/2-13
				2:4	103-2768	2	Guard-Seal

● Not serviced separately

# Roll-Over Protection System Assembly



## Roll-Over Protection System Assembly (continued)

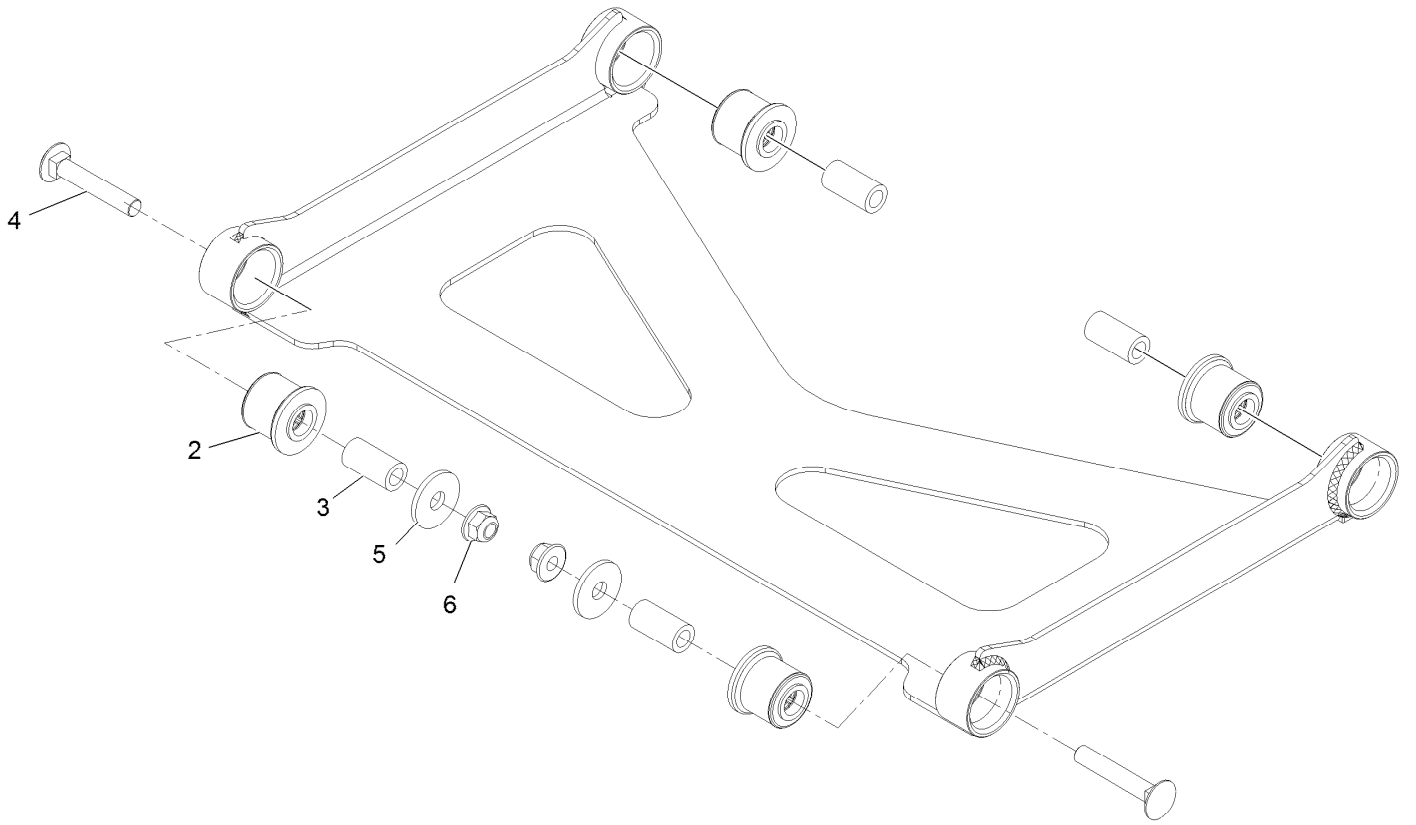
<i>Ref.</i>	<i>Part Number</i>	<i>Qty.</i>	<i>Description</i>	<i>Ref.</i>	<i>Part Number</i>	<i>Qty.</i>	<i>Description</i>
3	126-7838	1	Top Tube ASM	7	135-0504	2	Bumper-ROPS
3:2	107-3069	1	Decal-Warning	8	126-9966	2	Bumper-ROPS
4	116-0104	2	Pin-Spring	9	126-9488	4	Screw-HHF
5	126-9209	2	Bolt-Shoulder	10	32128-50	4	Nut-Flange
6	99-5107	2	Nut-Lock	12	119-4164	2	Washer-Wave



## Deck Lift Assembly (continued)

<i>Ref.</i>	<i>Part Number</i>	<i>Qty.</i>	<i>Description</i>	<i>Ref.</i>	<i>Part Number</i>	<i>Qty.</i>	<i>Description</i>
3	115-5065	4	Bushing-Flange	18	126-8365	1	Deck Strut ASM
4	116-2887	4	Gusset-Lift, Deck	19	3231-7	2	Bolt-Carriage 3/8-16 X 2 1/4
5	3230-22	8	Bolt-Carriage 5/16-18 X 1 Sp	21	126-5221	1	Spacer-Stepped
6	104-8300	8	Nut-Nyloc 5/16-18 Flg	22	3231-42	1	Bolt-Carriage 3/8-16 X 3
9	126-4535	1	Bracket ASM	23	135-0313	1	Screw-CARR
9:1	126-4784	1	Decal-HOC	24	126-5222	1	Plate-Lock, Transport
10	126-4640-03	1	Angle-HOC, Lower	25	126-5593	1	Grommet
11	109-6658	4	Nut-Nyloc 3/8-16 Flg	26	126-5223	1	Rod-Lock, Transport
12	126-8877	4	Deck Chain ASM	27	3218-1	1	Nut-Jam 1/4-20
12:1	1-633447	1	Chain-Lift, Deck	30	126-5401	1	Pin-HOC
12:2	130-0742	2	Bolt-Shoulder	31	126-7019	1	Knob
12:3	104-8301	2	Nut-Nyloc 3/8-16 Flg	45	135-5083-03	1	Shaft-Decklift Front
12:4	43-0940	2	Spacer	46	135-5081-03	1	Shaft-Decklift Rear
13	1-373034	2	Washer	47	135-5079-03	1	Link-Decklift
17	99-5107	2	Nut-Lock 1/2-13	48	325-8	2	Screw-HH 1/2-13 X 1 1/4
				50	135-5617	2	Spacer-Stepped

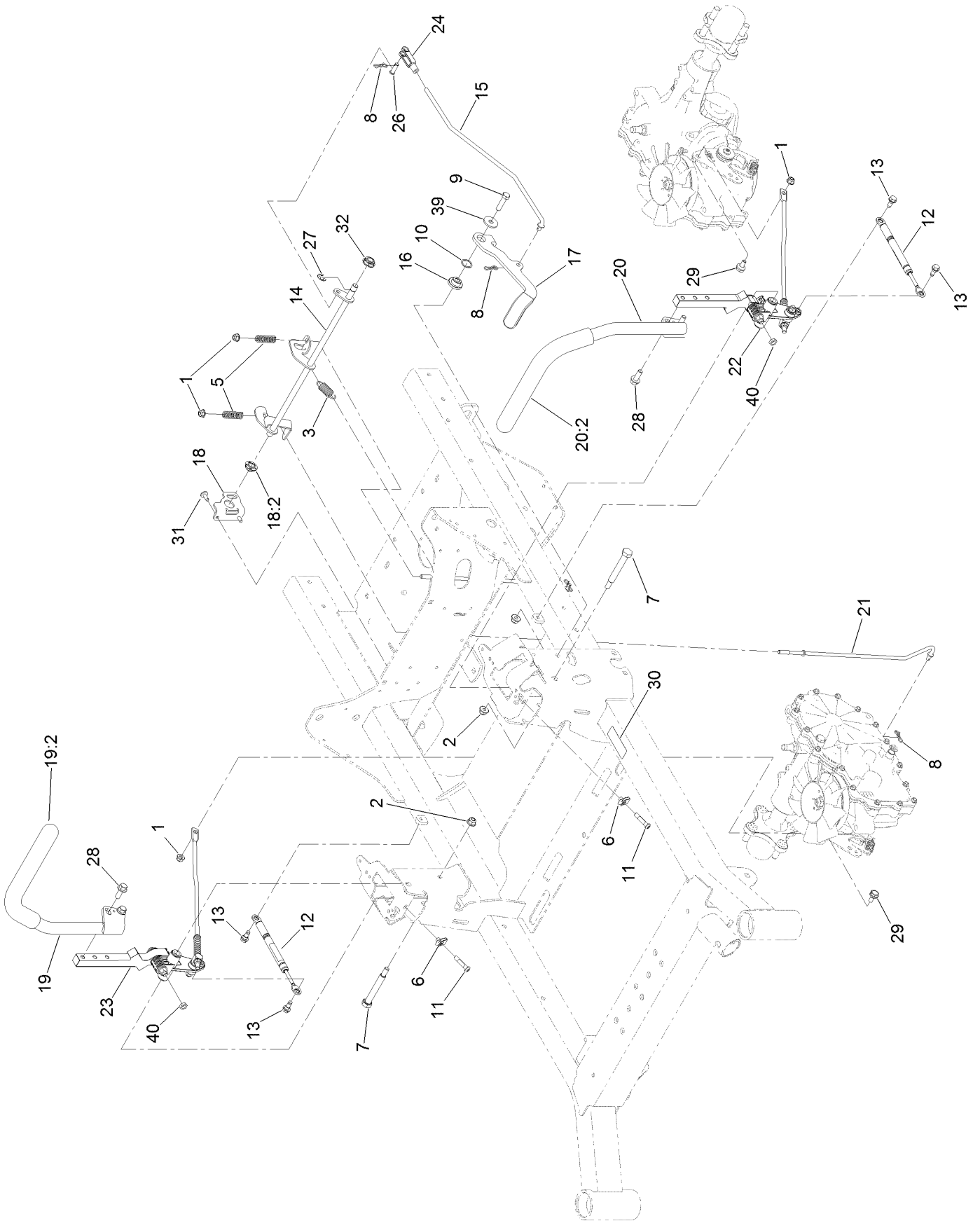
# Deck Strut Assembly



## Deck Strut Assembly (continued)

<i>Ref.</i>	<i>Part Number</i>	<i>Qty.</i>	<i>Description</i>	<i>Ref.</i>	<i>Part Number</i>	<i>Qty.</i>	<i>Description</i>
2	126-8360	4	Bushing-Rubber, Suspension	4	3231-7	2	Bolt-Carriage 3/8-16 X 2 1/4
3	108-6544	4	Spacer	5	2844	2	Washer
				6	104-8301	2	Nut-Nyloc 3/8-16 Flg

# Motion Control Assembly





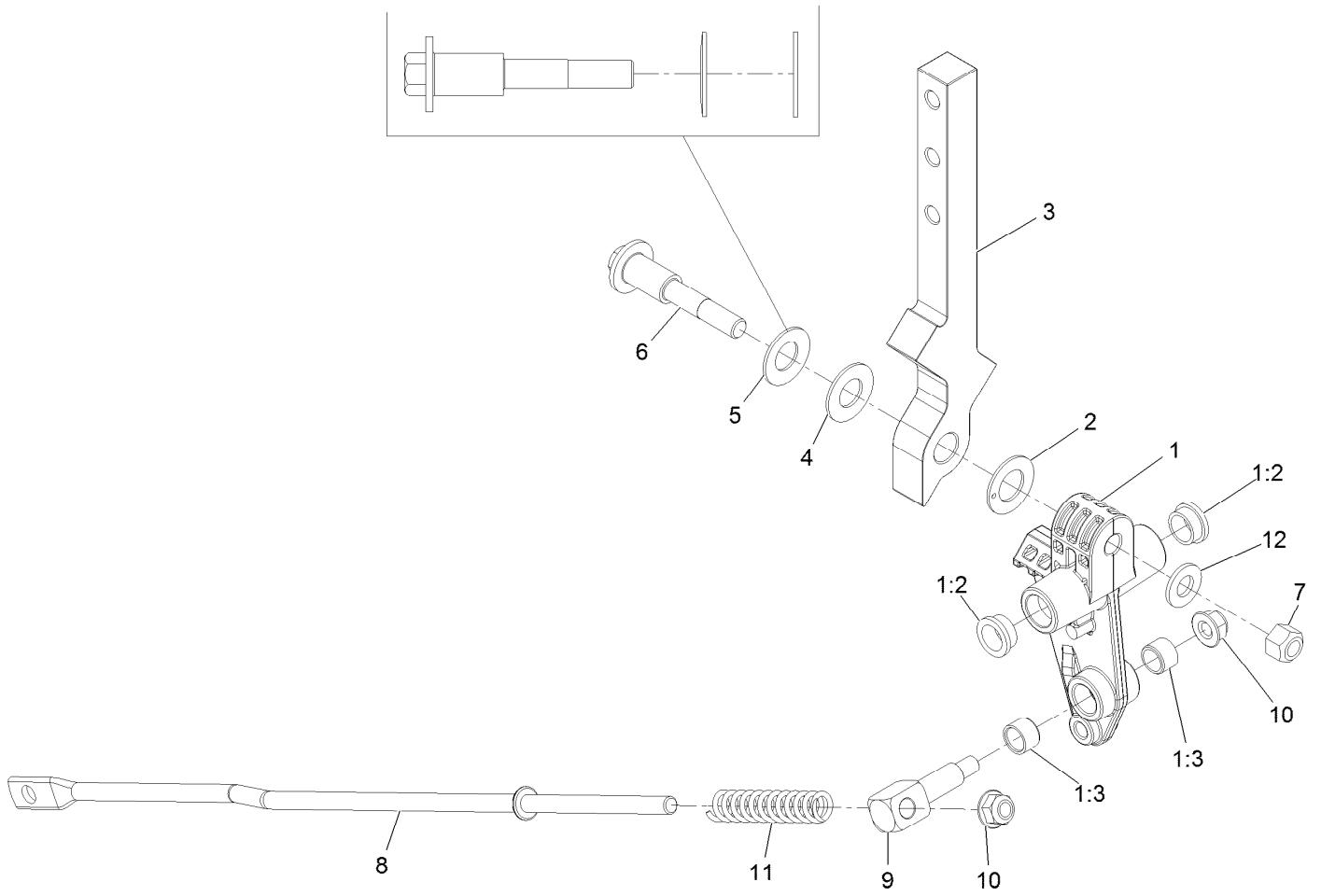
## Motion Control Assembly (continued)

<i>Ref.</i>	<i>Part Number</i>	<i>Qty.</i>	<i>Description</i>	<i>Ref.</i>	<i>Part Number</i>	<i>Qty.</i>	<i>Description</i>
1	104-8300	4	Nut-HF, NI	19	126-9191	1	RH Control Handle ASM
2	104-8301	3	Nut-HF, NI	19:2	126-7359	1	Grip
3	107-1045	1	Spring-Extension	20	126-9192	1	LH Control Handle ASM
5	109-7694	2	Spring-Compression	20:2	126-7359	1	Grip
6	112-3306	2	Nut	21	126-7217	2	Linkage-Brake, Lower
7	115-5099	2	Bolt-Pivot	22		1	LH Motion Control ASM ●
8	119-1415	4	Pin-Cotter, Locking	23		1	RH Motion Control ASM ●
9	323-8	1	Screw-HH	24	1-303105	1	Yoke-Adjustable
10	119-4164	1	Washer-Wave	26	1-808280	1	Pin-Clevis
11	126-4299	2	Screw-HSBH	27	32120-47	1	Ring-Retaining, External
12	126-4322	2	Damper	28	3234-42	4	Screw-HHF
13	126-4424	4	Screw-Shoulder	29	37-8771	2	Bolt-Shoulder, HF
14	126-5813	1	Shaft-Brake	30	115-9625	1	Decal-Brake, Parking
15	126-5819	1	Linkage-Brake, Upper	31	126-6266	2	Screw-Torx
16	126-5989	1	Pivot-Flange	32	126-5820	1	Bearing-Spherical
17	126-9490	1	Lever-Brake (With Grip)	39	2844	1	Washer
18	126-6456	1	Bracket-Brake	40	3218-3	2	Nut-Jam
18:2	126-5820	1	Bearing-Spherical				

● Not serviced separately

# LH and RH Motion Control Assembly

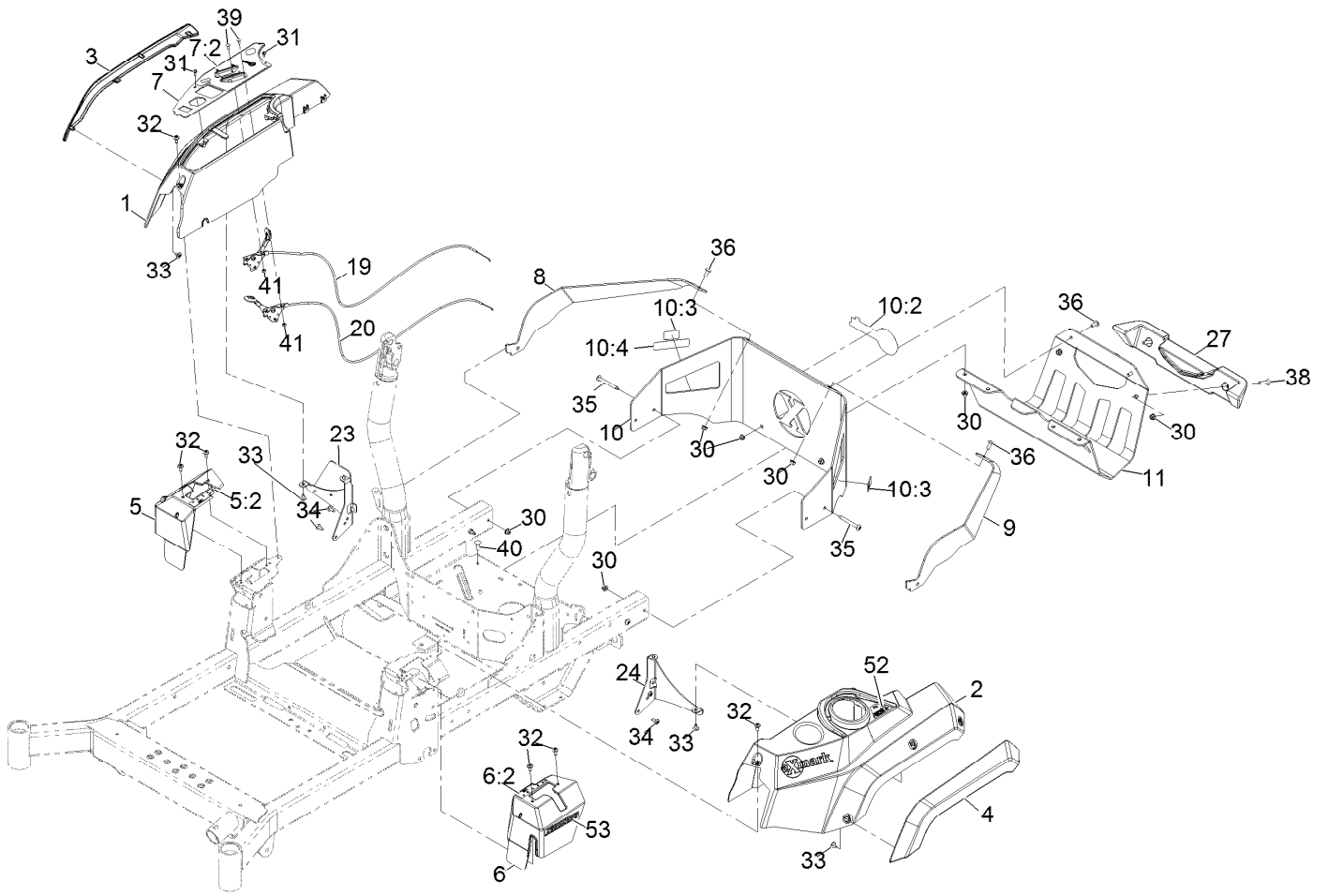
WASHER ORIENTATION



## LH and RH Motion Control Assembly (continued)

<i>Ref.</i>	<i>Part Number</i>	<i>Qty.</i>	<i>Description</i>	<i>Ref.</i>	<i>Part Number</i>	<i>Qty.</i>	<i>Description</i>
1	126-3773	1	Control Arm ASM	6	117-1198	1	Bolt-Pivot
1:2	126-8909	2	Bushing	7	32152-2	1	Nut-Hex 3/8-16 Lock
1:3	1-413152	2	Bushing-Sleeve	8	126-5435	1	Link-Control
2	126-7296	1	Washer-Friction	9	126-5434	1	Swivel
3	126-8182	1	Arm-Control	10	104-8300	2	Nut-Nyloc 5/16-18 Flg
4	117-1240	1	Washer	11	126-8195	1	Spring-Return, Neutral
5	119-8925	1	Washer-Belleville	12	3256-24	1	Washer-3/8 SAE

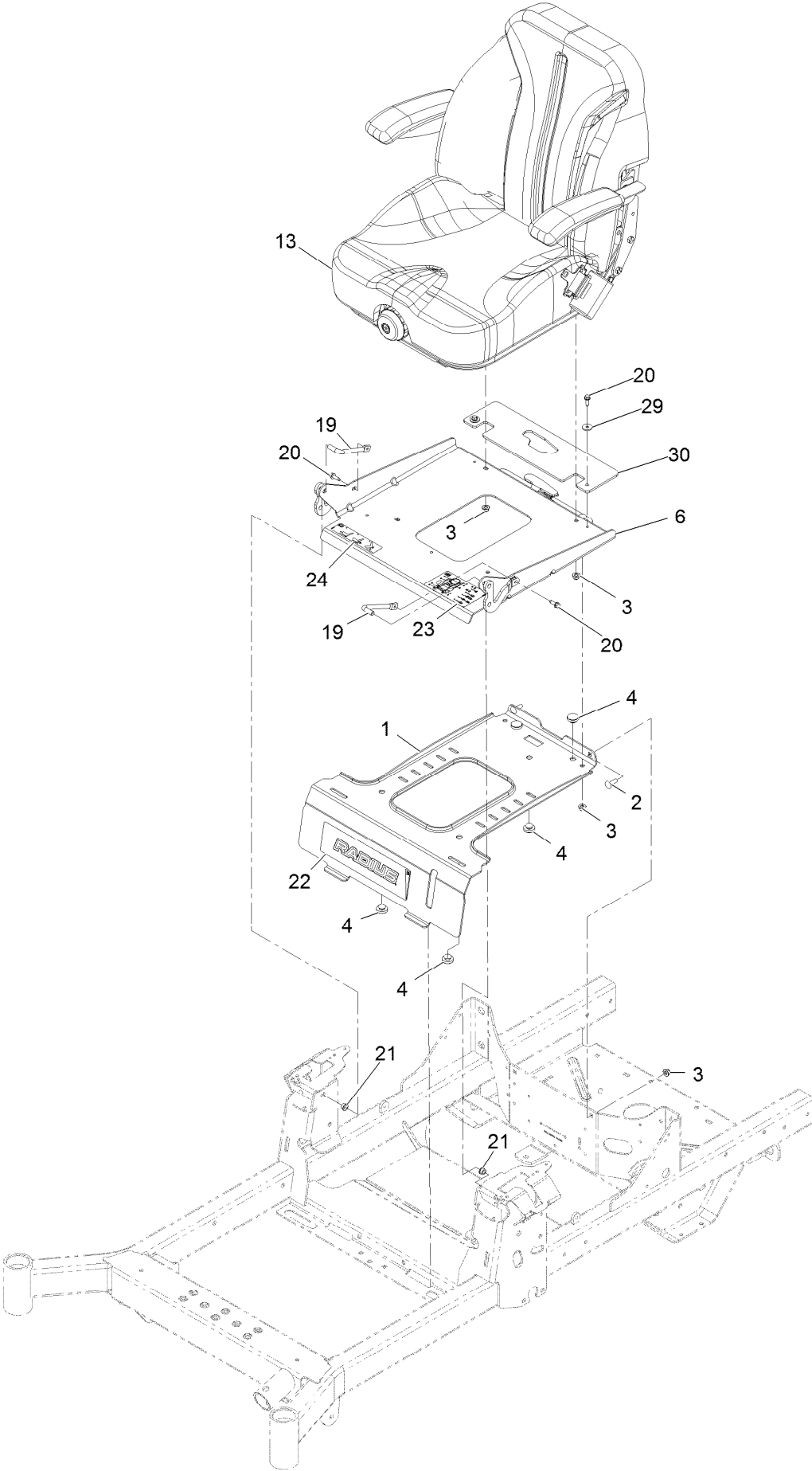
# Control Panel Assembly



## Control Panel Assembly (continued)

<i>Ref.</i>	<i>Part Number</i>	<i>Qty.</i>	<i>Description</i>	<i>Ref.</i>	<i>Part Number</i>	<i>Qty.</i>	<i>Description</i>
1	126-4959	1	Console-Exmark, RH	27	126-7418-03	1	Weight
2	126-4960	1	Console, LH	30	104-8300	12	Nut-Nyloc 5/16-18 Flg
3	126-4741	1	Fender-RH	31	117-5036	2	Screw-HWH #10-14 X 1/2
4	126-4742	1	Fender-LH	32	120-7950	6	Screw-1/4-20 X 1/2 Tf Torx Plus
5	126-7371	1	Cover-Control, Motion (RH)	33	126-5544	10	Screw-HWH #10-14 X 1/2 Torx
5:2	126-6183	1	Decal-Control, Motion (RH)	34	126-6266	4	Screw-1/4-20 X .65 Torx Plus
6	126-7372	1	Cover-Control, Motion (LH)	35	126-6267	4	Screw-Truss HD 5/16-18 X 2 3/4 Torx Plus
6:2	126-6194	1	Decal-Control, Motion (LH)	36	126-6268	4	Screw-Truss HD 5/16-18 X 3/4 Torx Plus
7	135-7845	1	ASM-Control Panel W/Exmark Decal	38	126-7439	2	Screw-Truss HD 5-16-18 X 1 1/2 Torx Plus
7:2	135-7816	1	Decal-Control Panel	39	1-807513	4	Bolt-Carriage #10-24 X 1/2
8	126-6015-03	1	Support-Upper, RH	40	3230-22	2	Bolt-Carriage 5/16-18 X 1 Sp
9	126-6016-03	1	Support-Upper, LH	41	3296-2	4	Nut-Nyloc #10-24
10	126-7802	1	Rear Guard ASM	52	126-9939	1	Decal-Fill, Fuel
10:2	126-6877	1	Decal, Exmark Logo	53	126-9297	2	Decal-X-Series
10:3	106-5517	2	Decal-Warning				
10:4	133-8062	1	Decal-Arrestor, Spark				
11	135-5084-03	1	Guard-Muffler [black]				
19	126-6945	1	Cable-Control, Choke				
20	126-6944	1	Cable-Control, Throttle				
23	126-9945	1	Support-Console, RH				
24	126-5532-03	1	Bracket-Console, LH				

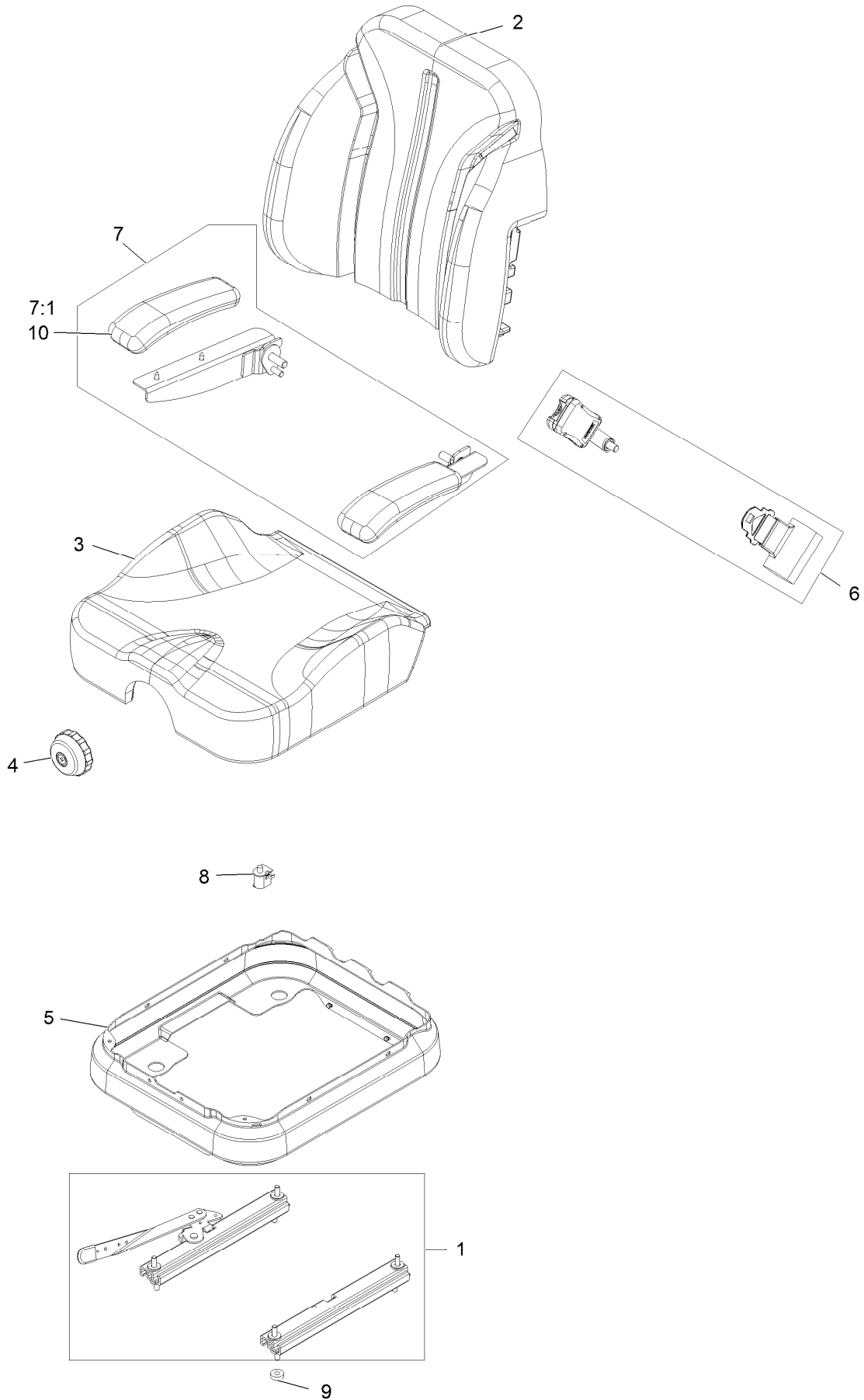
# Seat Assembly



## Seat Assembly (continued)

<i>Ref.</i>	<i>Part Number</i>	<i>Qty.</i>	<i>Description</i>	<i>Ref.</i>	<i>Part Number</i>	<i>Qty.</i>	<i>Description</i>
1	126-4082-03	1	Plate-Retainer, Tank	20	32144-44	4	Screw-HWH 1/4-20 X 3/4
2	3230-22	2	Bolt-Carriage 5/16-18 X 1 Sp	21	1-603735	2	Bushing-Flanged
3	104-8300	6	Nut-Nyloc 5/16-18 Flg	22	126-9082	1	Decal-Radius Logo
4	135-0505	5	Bumper-Seat	23	126-8151	1	Decal-Aid, Service
6	126-7309	1	Seat Pan And Latch ASM	24	126-8161	1	Decal-Latch, Seat
13	126-8292	1	ASM-Susp Seat	29	3256-67	2	Washer
19	126-5914	2	Pin-Pivot, Seat	30	135-0214	1	Guard-Seat, Rubber

# Seat Assembly (cont)

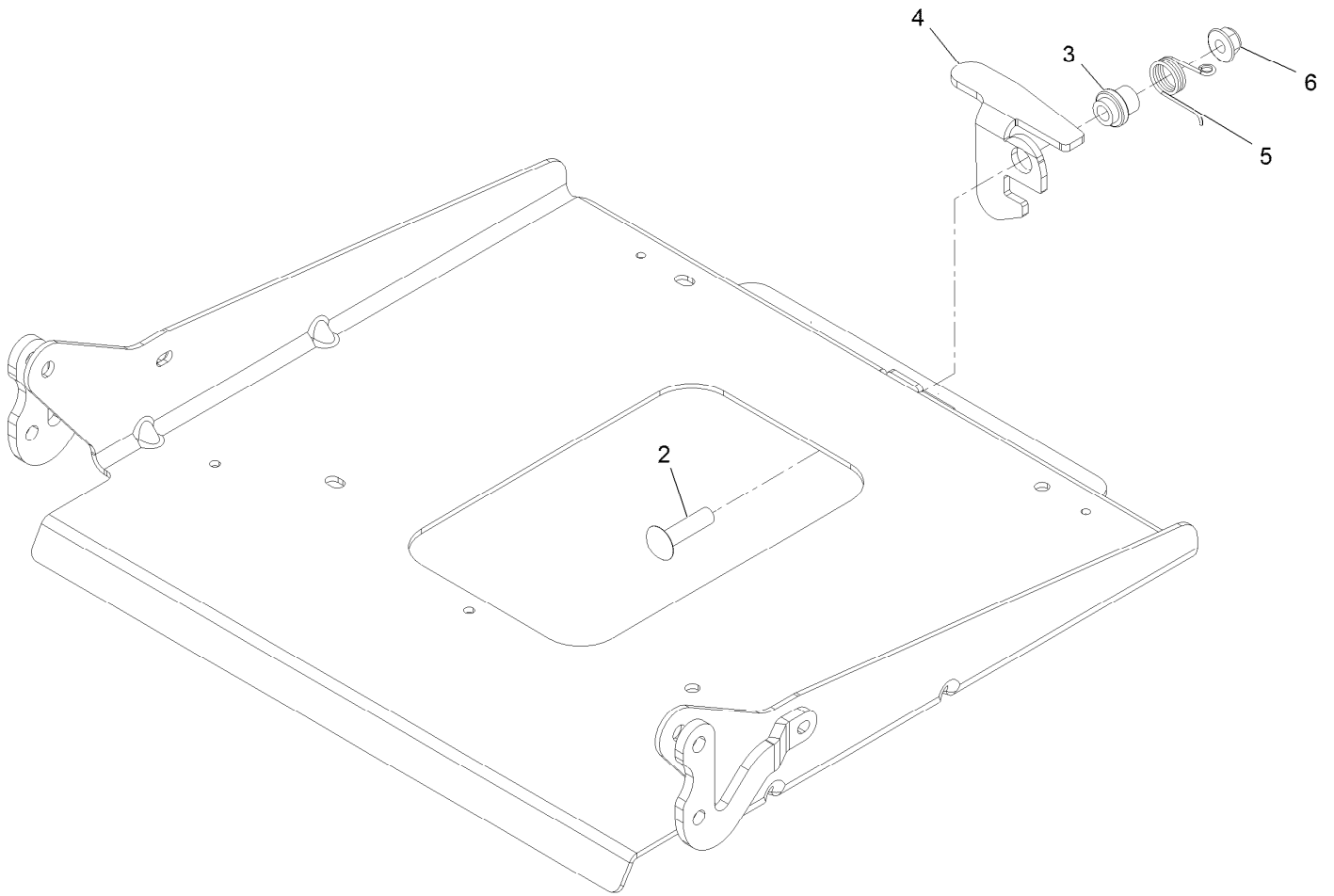




## Seat Assembly (cont) (continued)

<i>Ref.</i>	<i>Part Number</i>	<i>Qty.</i>	<i>Description</i>	<i>Ref.</i>	<i>Part Number</i>	<i>Qty.</i>	<i>Description</i>
1	126-8558	1	Tracks-4" Travel	7	126-2058	1	Armrest Kit
2	126-8552	1	Cover-Seat Back Svc	7:1	110-4163	2	Cushion-Rest, Arm
3	126-8551	1	Cover-Seat Bottom Svc	8	82-2190	1	Switch
4	116-8911	1	Knob-Adjuster	9	26-4840	4	Spacer-Pin, Mounting
5	126-8559	1	Bellows-Seat	10	110-4163	2	Cushion-Rest, Arm
6	126-8560	1	Kit-Seat Belt				

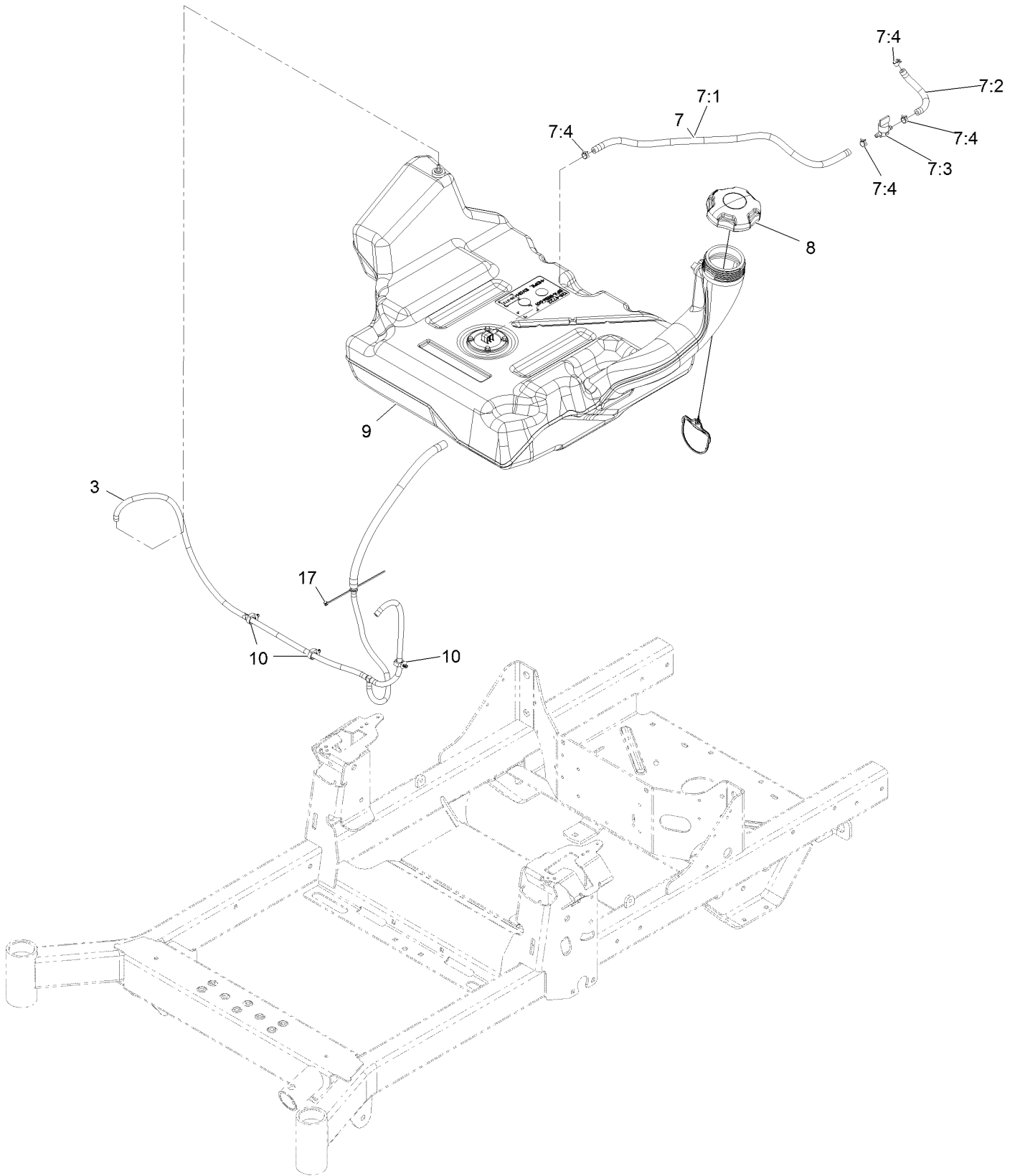
# Seat Latch Assembly



## Seat Latch Assembly (continued)

<i>Ref.</i>	<i>Part Number</i>	<i>Qty.</i>	<i>Description</i>	<i>Ref.</i>	<i>Part Number</i>	<i>Qty.</i>	<i>Description</i>
2	3231-26	1	Screw-CARR	5	126-8923	1	Spring-Torsion, Latch
3	107-0075	1	Bushing-Latch, Seat	6	104-8301	1	Nut-HF, NI
4	126-6739	1	Latch-Catch, Single				

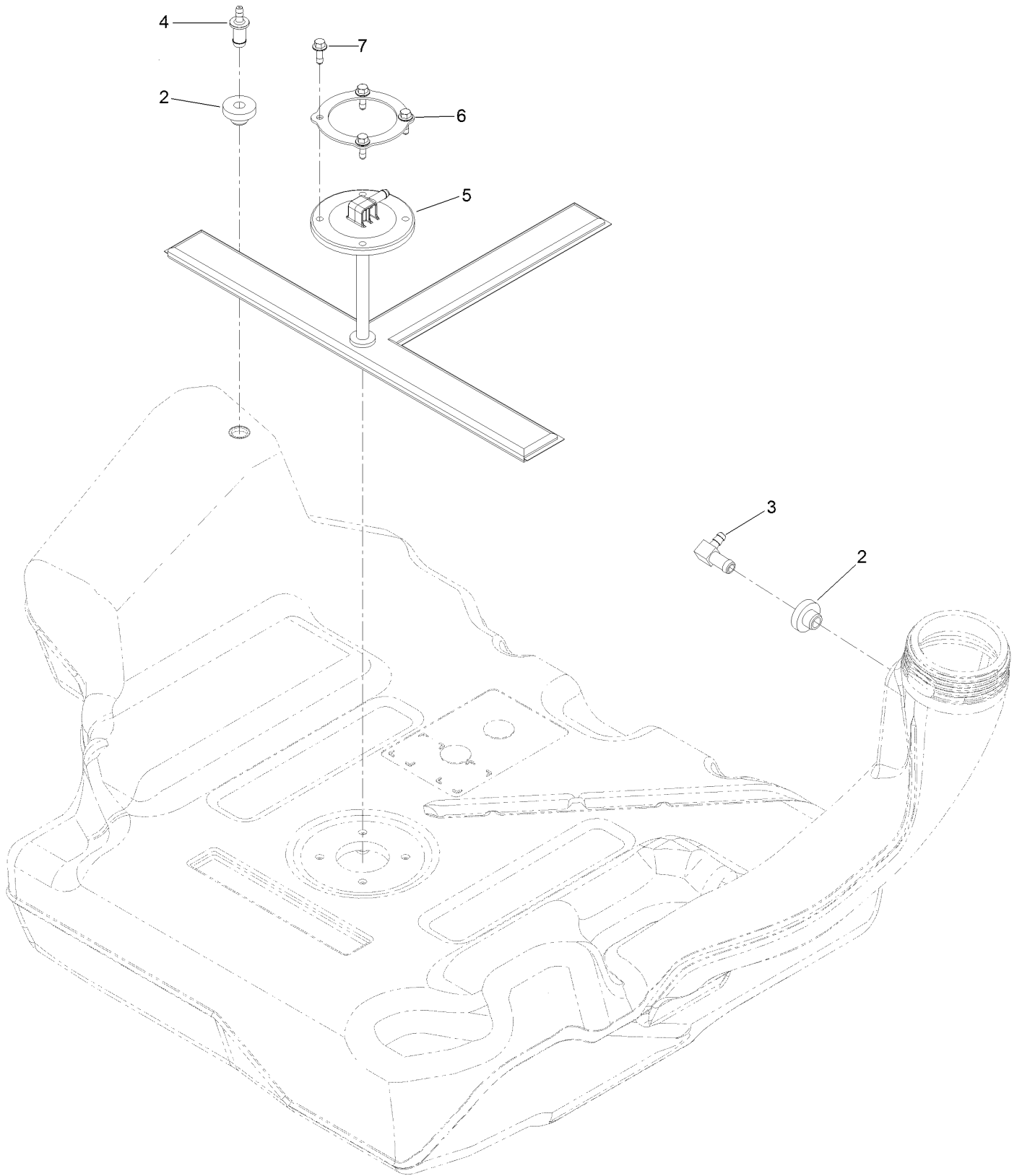
# Fuel Assembly



## Fuel Assembly (continued)

<i>Ref.</i>	<i>Part Number</i>	<i>Qty.</i>	<i>Description</i>	<i>Ref.</i>	<i>Part Number</i>	<i>Qty.</i>	<i>Description</i>
3	126-8736	1	Vent Hose ASM	7:4	2412-98	4	Clamp-Hose
7	126-8740	1	Fuel Hose ASM	8	135-4801	1	Cap-Fuel, Ratcheting
7:1	109-0302	1	Hose-Fuel Line 24"	9	126-4724	1	Tank-Fuel
7:2	109-0678	1	Hose-Fuel	10	126-5523	3	Clip
7:3	1-603770	1	Valve-Fuel	17	1-303287	1	Tie-Cable 5 1/2 (Small)

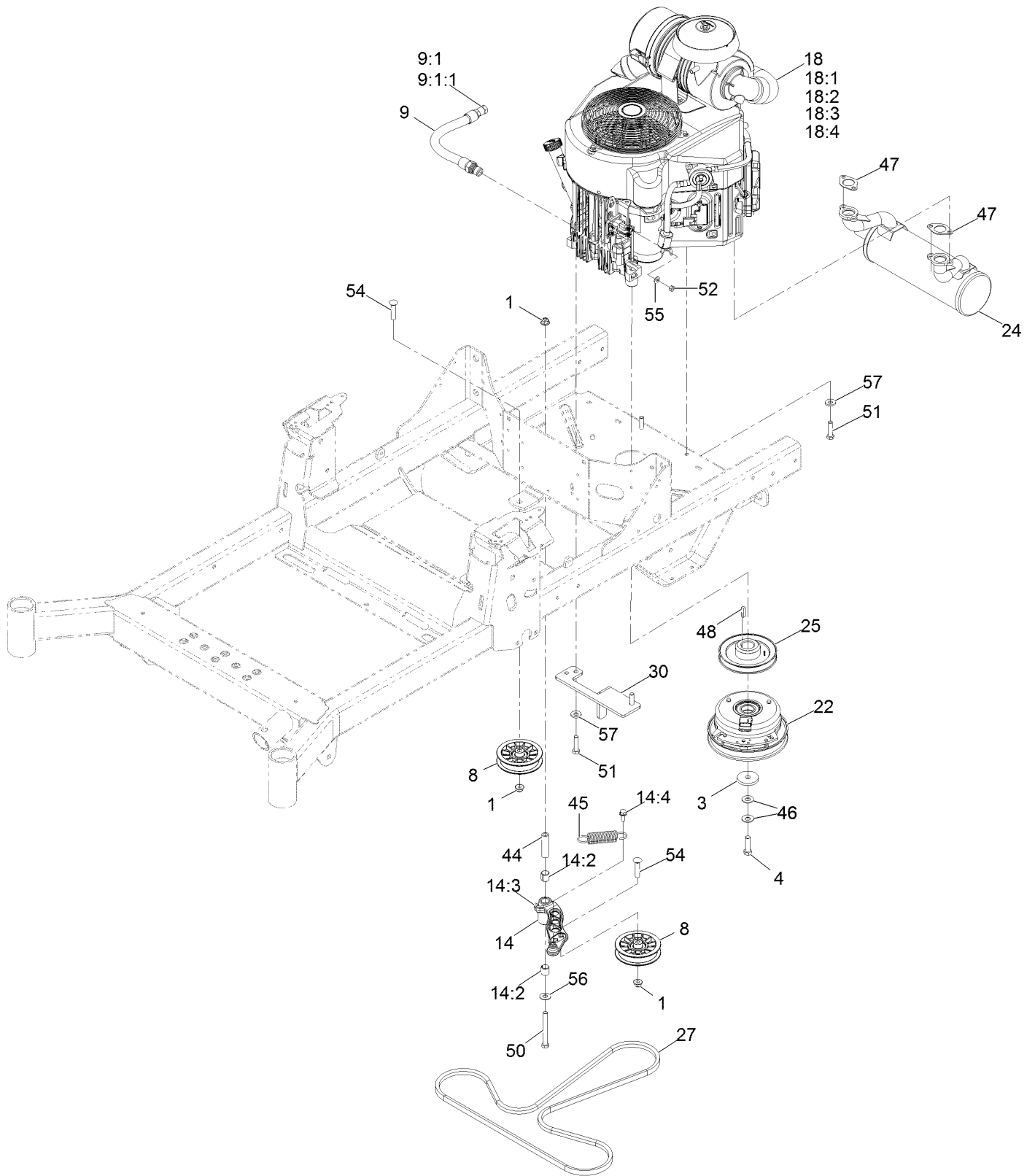
# Fuel Tank Assembly (cont.)



## Fuel Tank Assembly (cont.) (continued)

<i>Ref.</i>	<i>Part Number</i>	<i>Qty.</i>	<i>Description</i>	<i>Ref.</i>	<i>Part Number</i>	<i>Qty.</i>	<i>Description</i>
2	46-6560	2	Bushing	5	126-5528	1	Pickup-Fuel
3	126-9057	1	Fitting-90 DEG	6	126-5527	1	Ring-Retainer
4	116-4630	1	Fitting-Orifice, Straight	7	126-5525	4	Bolt

# Engine Assembly





## Engine Assembly (continued)

<i>Ref.</i>	<i>Part Number</i>	<i>Qty.</i>	<i>Description</i>	<i>Ref.</i>	<i>Part Number</i>	<i>Qty.</i>	<i>Description</i>
1	104-8301	3	Nut-Nyloc 3/8-16 Flg	18:4		1	Kawasaki 11013-7044
3	109-6919	1	Washer-Clutch				Engine Air Filter ▲◆
4	109-9761	1	Screw-HH 7/16-20 X 1 1/2 W/Loctite □	22	126-4324	1	Clutch
8	116-2456	2	Pulley-Flat Idler	24	126-4360	1	Muffler
9	116-4924	1	Asm-Hose Oil Drain W/Plug ■	25	126-5358	1	Sheave (W/Hub)
9:1	353-508	1	Plug-W/O-Ring ●	27	126-5993	1	Belt-V
9:1:1	237-42	1	O-Ring	30	126-6687-03	1	Anchor-Clutch
14	126-0973	1	Idler Arm ASM	44	1-603384	1	Bushing-Pivot, Idler
14:2	1-513034	2	Sleeve-Bearing	45	1-603402	1	Spring-Extension
14:3	302-40	1	Zerk-90° 1/4-28	46	1-603610	2	Washer-Spring Disc 7/16
14:4	32144-11	1	Screw-HWH 5/16-18 X 3/4 Tf	47	1-653313	2	Gasket-Exhaust
18		1	Engine-Kawasaki, Fx651V ▲◆	48	1-807259	1	Key-Machine 1/4 X 1/4 X 1
18:1		1	Kawasaki 49065-7007 Engine Oil Filter ▲◆	50	323-15	1	Screw-HH 3/8-16 X 3 1/2
18:2		1	Kawasaki 49019-7005 Fuel Filter ▲◆	51	323-8	4	Screw-HH 3/8-16 X 1 1/2
18:3		1	Kawasaki 11013-7045 Safety Filter ▲◆	52	3217-5	1	Nut-Hex 1/4-20
				54	3231-29	2	Bolt-Carriage 3/8-16 X 1 3/4
				55	3256-22	1	Washer-1/4 SAE
				56	3256-4	1	Washer-3/8 Std
				57	98-5975	4	Washer-Spring Disc 3/8

● Torque to 24-26 ft-lb

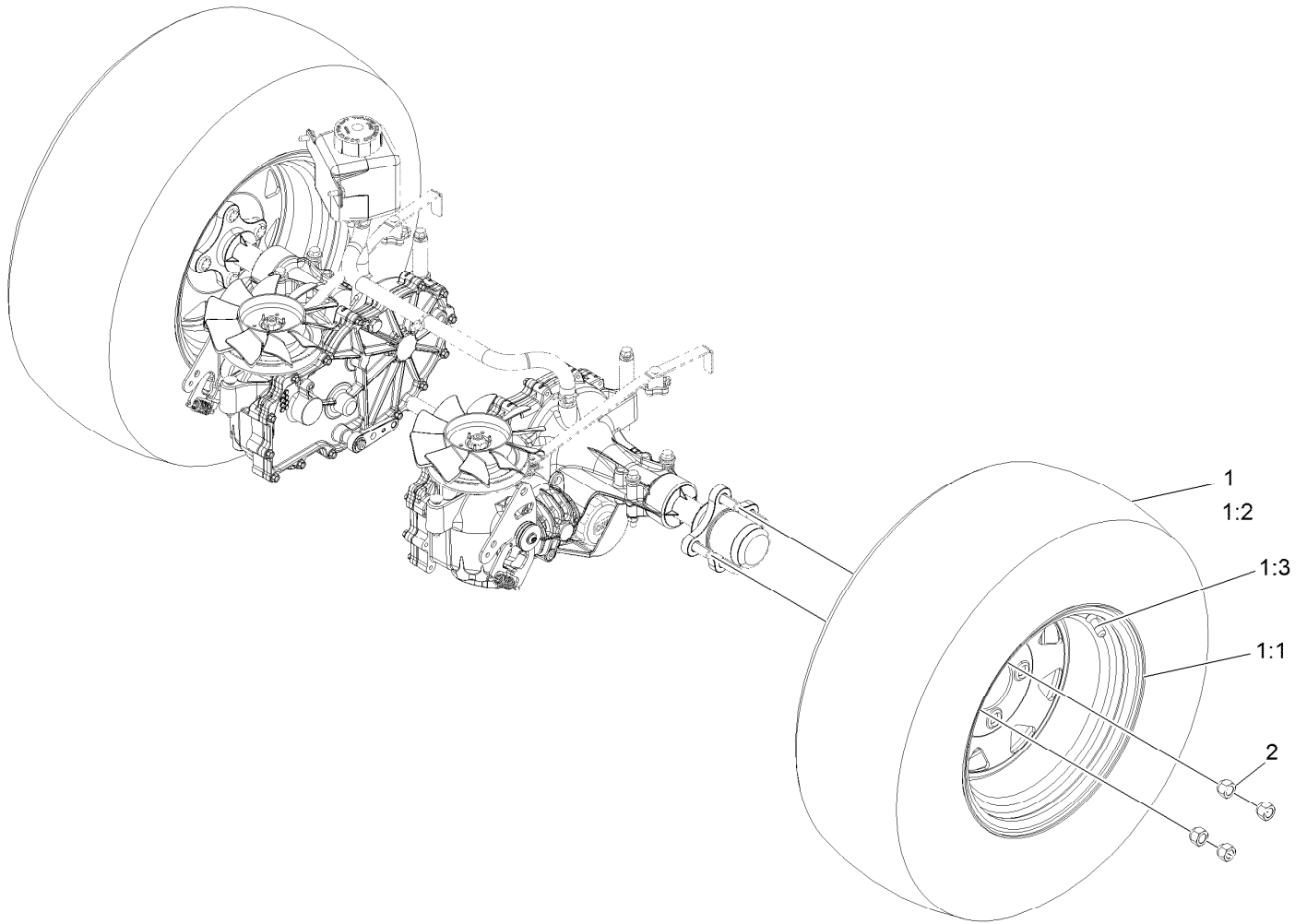
▲ Not serviced separately

□ Use Pro-Lock, Nut Type (P/N 1-840022, .5ml tube) on threads.

■ Torque to 23-29 ft-lb

◆ Obtain parts from [www.kawpowerepc.com](http://www.kawpowerepc.com)

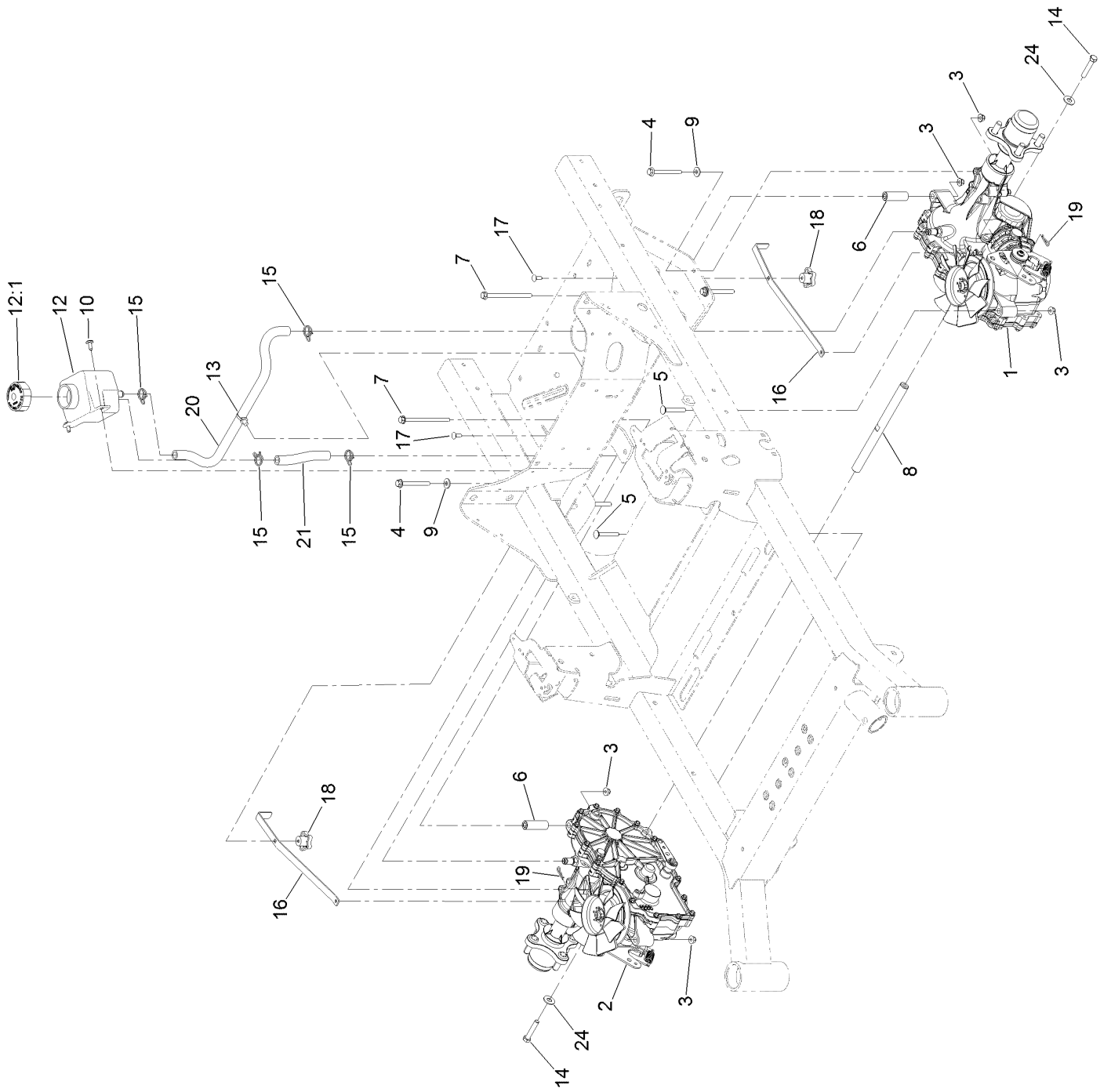
# Rear Wheel Assembly



## Rear Wheel Assembly (continued)

<i>Ref.</i>	<i>Part Number</i>	<i>Qty.</i>	<i>Description</i>	<i>Ref.</i>	<i>Part Number</i>	<i>Qty.</i>	<i>Description</i>
1	126-4870	2	Wheel And Tire ASM	1:3	232-27	1	Stem-Valve
1:1	126-9073	1	Wheel	2	242-50	8	Nut-Lug
1:2	126-4875	1	Tire				

# Hydraulic Assembly

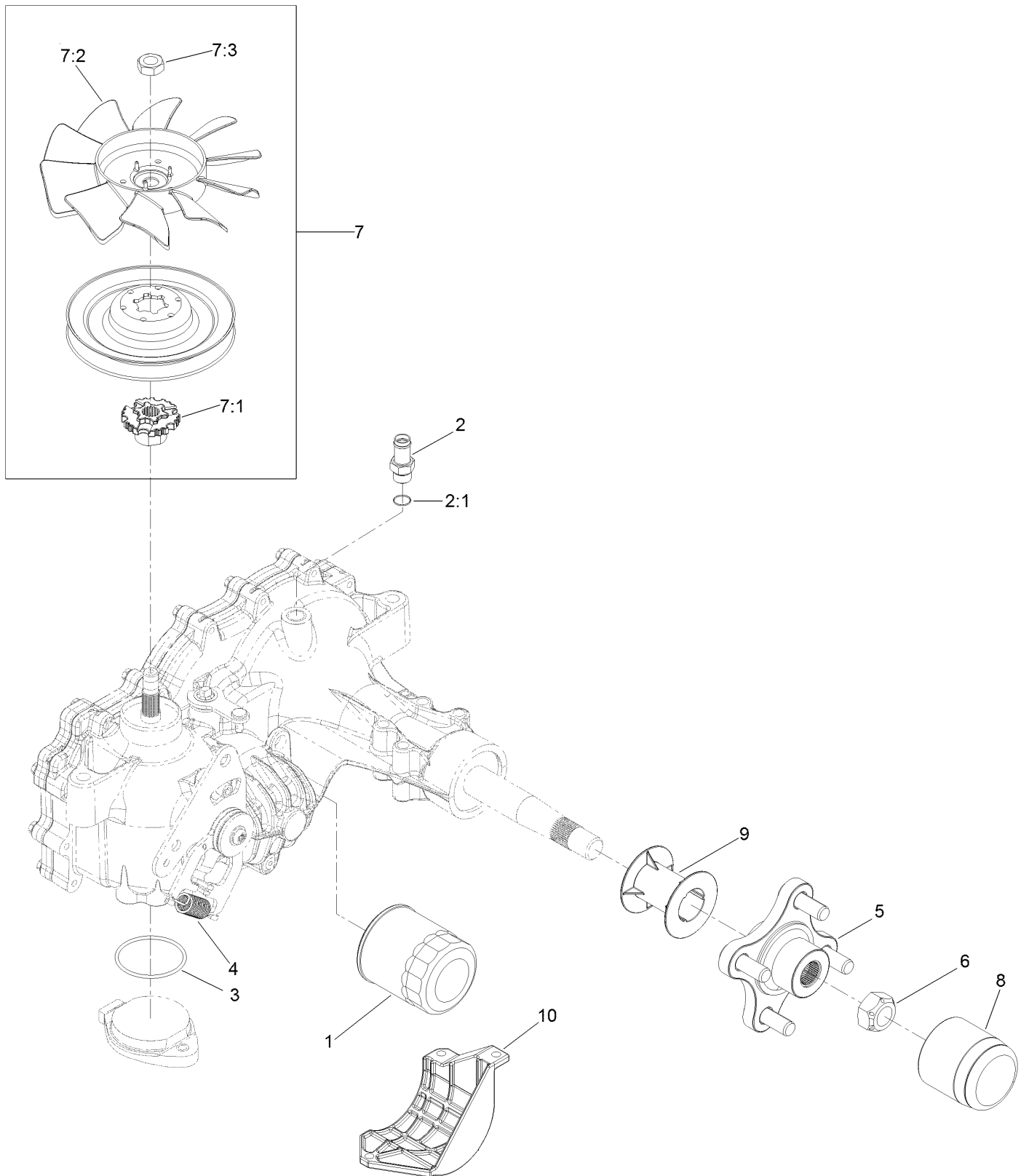


## Hydraulic Assembly (continued)

<i>Ref.</i>	<i>Part Number</i>	<i>Qty.</i>	<i>Description</i>	<i>Ref.</i>	<i>Part Number</i>	<i>Qty.</i>	<i>Description</i>
1	126-2883	1	LH Transaxle ASM	12:1	109-3320	1	Cap-Reservoir, HYD
2	126-2884	1	RH Transaxle ASM	13	32180-118	1	Clip-Tie
3	104-8300	8	Nut-HF, NI	14	94-7972	2	Screw-HH W/Loctite ●
4	126-4687	4	Screw-HHF	15	126-0327	4	Clamp-Hose
5	3230-7	2	Bolt-CARR	16	109-5395	2	Arm-Bypass, Hydro
6	116-5809	2	Spacer-Hydro	17	3229-1	2	Bolt-CARR
7	126-5896	2	Screw HHF	18	108-6402	2	Knob-Handle
8	116-6833	1	Shaft-Spacer	19	1-806003	2	Pin-Cotter
9	1-303334	4	Washer-Spring	20	126-5668	1	Hose-Hydraulic
10	126-6266	2	Screw-Torx	21	126-5669	1	Hose-Hydraulic
12	109-2250	1	Tank-HYD	24	3256-4	2	Washer-Flat

● Use Pro-Lock, Nut Type (P/N 1-840022, .5ml tube) on threads.

# LH Transaxle Assembly No. 126-2883

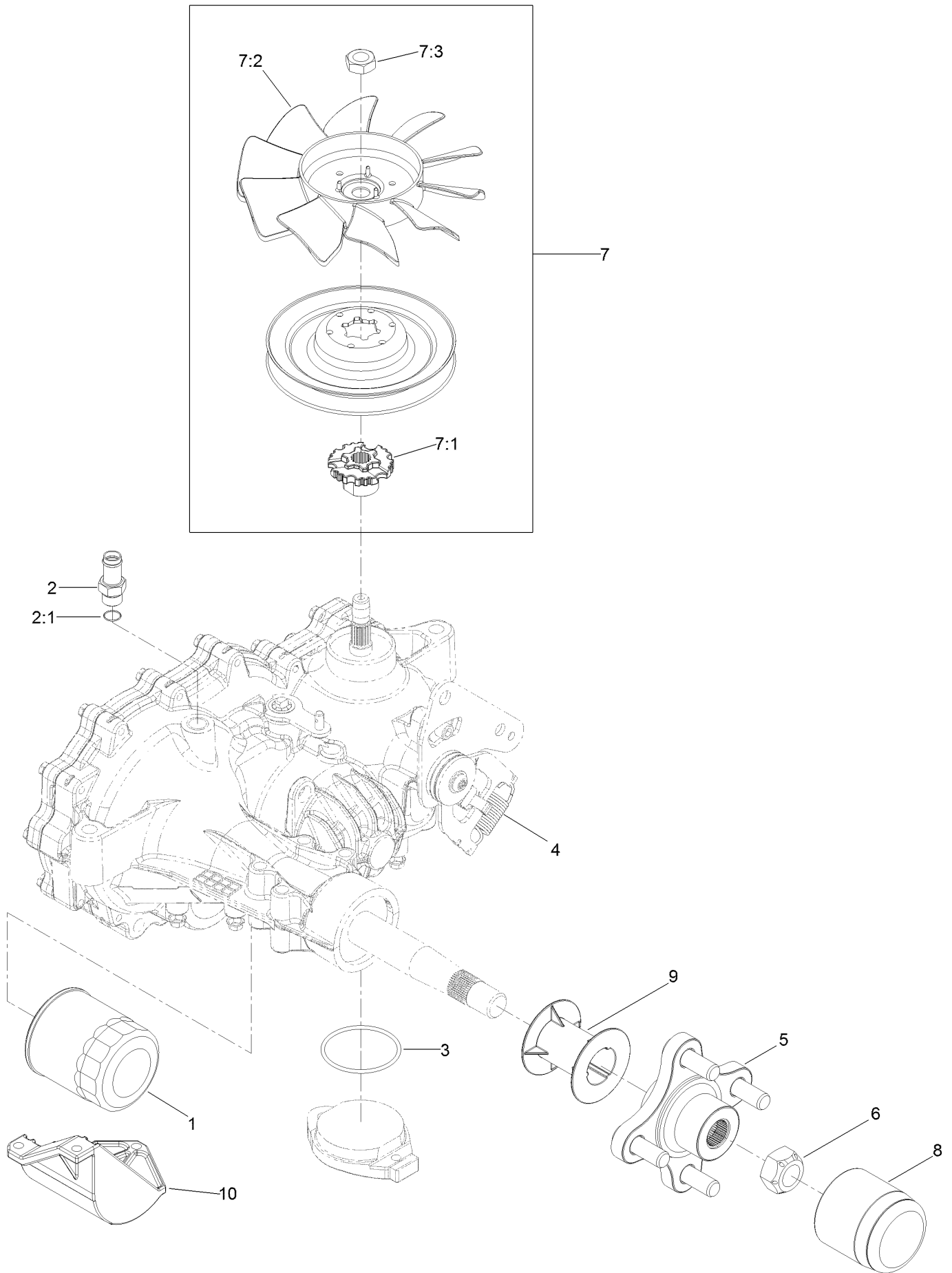


# LH Transaxle Assembly No. 126-2883 (continued)

<i>Ref.</i>	<i>Part Number</i>	<i>Qty.</i>	<i>Description</i>	<i>Ref.</i>	<i>Part Number</i>	<i>Qty.</i>	<i>Description</i>
1	109-3321	1	Element-Oil Filter, HYD	7:1	126-8905	1	Hub-Fan
2	109-3278	1	Adapter-Straight	7:2	126-0226	1	Fan
2:1	237-42	1	O-Ring	7:3	116-9714	1	Nut-HJ
3	109-3540	1	O Ring-Seal	8	116-6214	1	Cap-Axle, Long
4	109-5592	1	Spring-Extension	9	116-6213	1	Tube-Axle
5	116-3872	1	Hub-Offset	10	120-7979	1	Guard-Filter, LH
6	109-3536	1	Nut-Hub	99	135-3604	1	Brake Shaft Seal Kit ●
7	126-8904	1	Fan And Pulley Kit	99	121-3243	1	Seal Kit ●

● Not illustrated

# RH Transaxle Assembly No. 126-2884



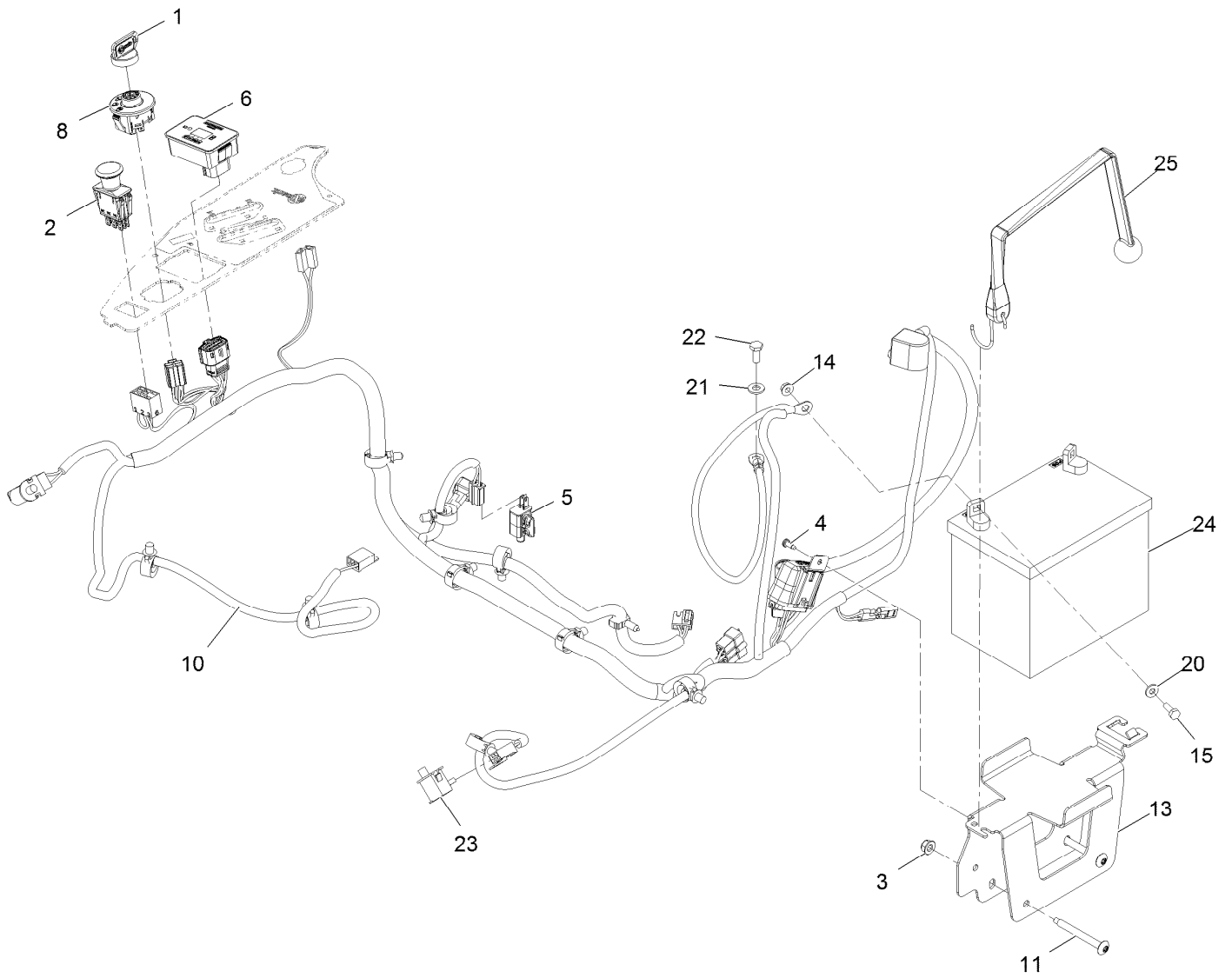


## RH Transaxle Assembly No. 126-2884 (continued)

<i>Ref.</i>	<i>Part Number</i>	<i>Qty.</i>	<i>Description</i>	<i>Ref.</i>	<i>Part Number</i>	<i>Qty.</i>	<i>Description</i>
1	109-3321	1	Element-Oil Filter, HYD	7:1	126-8905	1	Hub-Fan
2	109-3278	1	Adapter-Straight	7:2	126-0226	1	Fan
2:1	237-42	1	O-Ring	7:3	116-9714	1	Nut-HJ
3	109-3540	1	O Ring-Seal	8	116-6214	1	Cap-Axle, Long
4	109-5592	1	Spring-Extension	9	116-6213	1	Tube-Axle
5	116-3872	1	Hub-Offset	10	120-7981	1	Guard-Filter, RH
6	109-3536	1	Nut-Hub	11	121-3243	1	Seal Kit ●
7	126-8904	1	Fan And Pulley Kit	99	135-3604	1	Brake Shaft Seal Kit ●

● Not illustrated

# Electrical Assembly



## Electrical Assembly (continued)

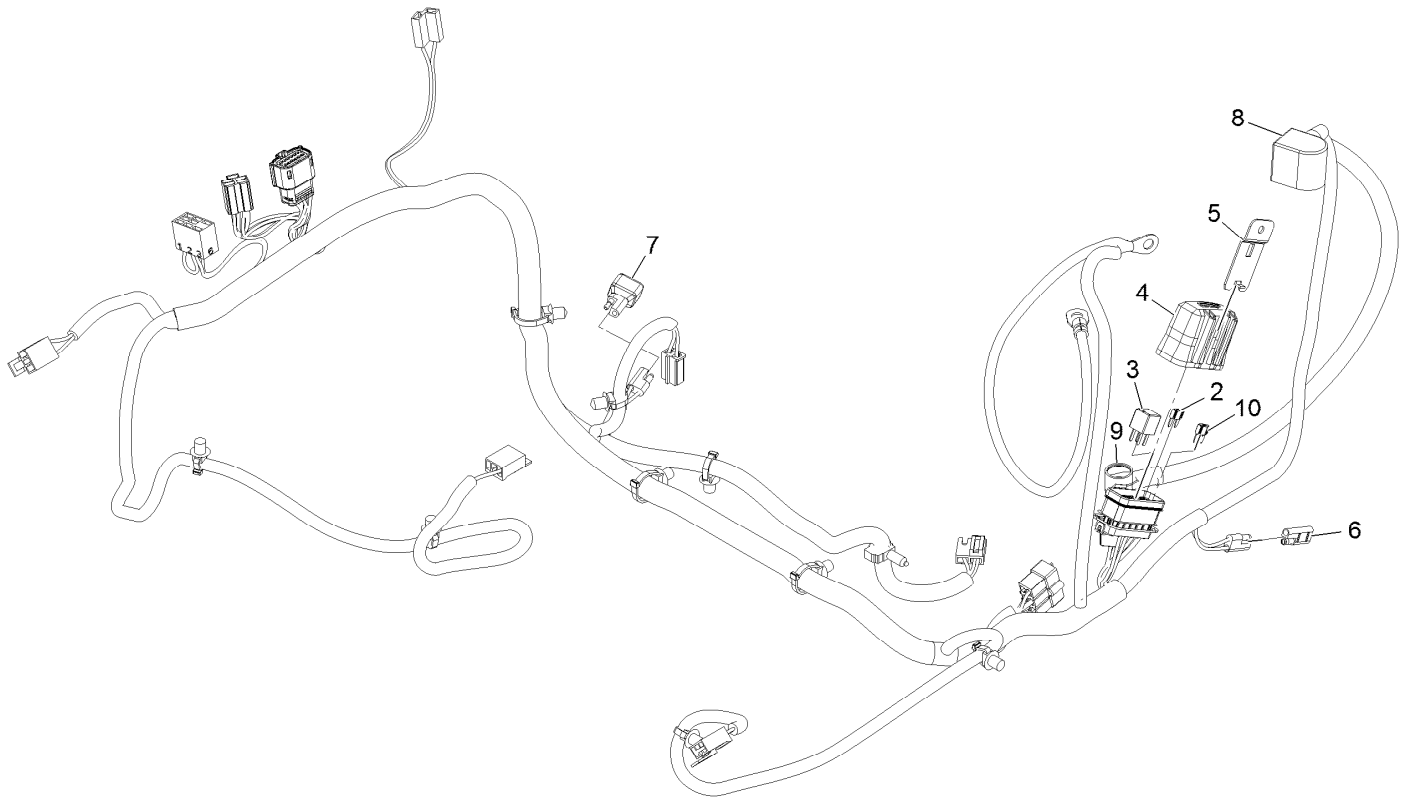
<i>Ref.</i>	<i>Part Number</i>	<i>Qty.</i>	<i>Description</i>	<i>Ref.</i>	<i>Part Number</i>	<i>Qty.</i>	<i>Description</i>
1	1-603511	1	Key-Ignition	13	126-6725-03	1	Tray-Battery
1	103-2106	1	Key-Exmark Logo	14	32128-33	2	Nut-Whizlock 1/4-20
2	103-5221	1	Switch-PTO	15	321-4	2	Screw-HH 1/4-20 X 3/4
3	104-8300	2	Nut-Nyloc 5/16-18 Flg	20	3256-22	2	Washer-1/4 SAE
4	105-6849	1	Screw-Tph #10-24 X 1/2 Tf	21	33094-00	1	Washer
5	110-6765	1	Switch	22	33114-020	1	Screw-HH M8-1.25 X 20Mm
6	116-5609	1	Module ASM	23	82-2190	2	Switch
8	137-4100	1	Switch-Ignition	24		1	Battery ●■
10	126-5803	1	Harness-Wire ▲	25	126-7627	1	Strap-Bungee
11	126-6267	2	Screw-Truss HD 5/16-18 X 2 3/4 Torx Plus				

● Obtain locally.

■ Not serviced separately

▲ Use dielectric grease on all unsealed connectors and terminals only. Do not apply in sealed connectors.

# Harness Assembly



## Harness Assembly (continued)

<i>Ref.</i>	<i>Part Number</i>	<i>Qty.</i>	<i>Description</i>	<i>Ref.</i>	<i>Part Number</i>	<i>Qty.</i>	<i>Description</i>
2	121-8868	1	Fuse-Mini Blade, 20 Amp	7	103-3895	1	Diode
3	126-3991	1	Relay-Micro	8	126-8876	1	Insulator-Battery
4	32180-176	1	Cover-Block, Fuse	9	1-543393	1	Insulator-Solenoid
5	32180-177	1	Clip-Mounting	10	121-8867	1	Fuse-Mini Blade, 15 Amp
6	116-0053	1	Cap-Plug				

**Notes:**



# MAXIMIZE THE PERFORMANCE OF YOUR EXMARK MACHINE.



## EXMARK® PREMIUM ENGINE OIL

Exmark now offers a family of engine oil viscosities to perform well in any environment. Each viscosity has the same synthetic formulation to give you what you need in punishing conditions. We designed each grade to the highest quality, making it ideal even for diesel applications. Coupled with Exmark Premium Fuel Treatment, we have the performance products to make your machine hum.

### EXMARK PREMIUM ENGINE OIL SAE 30/10W-30

- Meets zero shear requirements of a straight grade SAE 30 as well as the cold temp properties of a 10W-30.
- Most versatile oil in the industry.
- Superior corrosion protection over conventional oil - even in corrosive, humid environments.

### EXMARK PREMIUM ENGINE OIL SAE 20W-50

- Perfect for your big block engine, or any application in severe service.
- Same full synthetic formulation as all other Exmark Premium viscosities.
- Also effective for use in severe service small block engines.

### EXMARK PREMIUM ENGINE OIL SAE 10W-50

- Full synthetic formulation gives you peak performance. Don't settle for less.
- Wide span multi-grade combines easy starting in cold weather with maximum protection in high temperature operation.
- Reduce friction & wear over standard mineral formulations.

### EXMARK PREMIUM ENGINE OIL SAE 0W-40

- The perfect choice for when the weather turns cold or unpredictable, and your Exmark UTV has to perform.
- Commercial quality for severe service.
- Advanced additive package helps prevent corrosion from long-term storage.

### EXMARK PREMIUM ENGINE OIL UTV FORMULATION

- 4-cycle high-temp formulation.
- Heavier viscosity, full synthetic, perfect for your UTV.

### EXMARK PREMIUM UTV EXTREME CONDITIONS GEAR OIL

- SAE 80W-90, designed to keep your UTV performing at its peak.
- Shear stable, hypoid gear lube.
- Includes a premium additive system to combat wear, oxidation, rust & corrosion.

**Available from your local Exmark dealer. Find your closest dealer at [exmark.com](http://exmark.com)**

## EXMARK ACCESSORIES AND OPTIONS\*

### MID-MOUNT RIDING ACCESSORIES AND OPTIONS

CUSTOM RIDE SEAT SUSPENSION SYSTEM	OPERATOR CONTROLLED DISCHARGE
FULL SUSPENSION SEAT	SUN SHADE
DECK LIFT ASSIST KIT	TRASH CONTAINER
HITCH KIT	TURF STRIPER
LIGHT KIT	ULTRA VAC COLLECTION SYSTEM
12V POWER PORT	ULTRA VAC QUICK DISPOSAL SYSTEM
MICRO-MULCH SYSTEM	

### OUT-FRONT RIDING ACCESSORIES AND OPTIONS

CUSTOM RIDE SEAT SUSPENSION SYSTEM	SNOW BLADE
DUAL-TAIL WHEEL	SNOWBLOWER
FLOOR PAN EXTENDER	SUN SHADE
HITCH KIT	TRASH CONTAINER
LIGHT KIT	ULTRA VAC COLLECTION SYSTEM
MICRO-MULCH SYSTEM	ULTRA VAC QUICK DISPOSAL SYSTEM
ROLL OVER PROTECTION SYSTEM (ROPS)	WEATHER CAB

### WALK-BEHIND ACCESSORIES AND OPTIONS

GRASS CATCHER	TURF STRIPER
MICRO-MULCH SYSTEM	STANDON

\*Some accessories and options not available for some models.

Place Model No. and Serial No.  
Label Here (Included in the Literature  
Pack) or Fill in Below

Model No. \_\_\_\_\_

Serial No. \_\_\_\_\_

Date Purchased \_\_\_\_\_

Engine Model No. and Spec. No. \_\_\_\_\_

Engine Serial No. (E/No) \_\_\_\_\_

© 2019 Exmark Mfg. Co., Inc.  
2101 Ashland Ave  
Beatrice, NE 68310  
All Rights Reserved

Part No. 4504-542 Rev. A  
(402) 223-6375  
Fax (402) 223-5489  
Printed in the USA.

