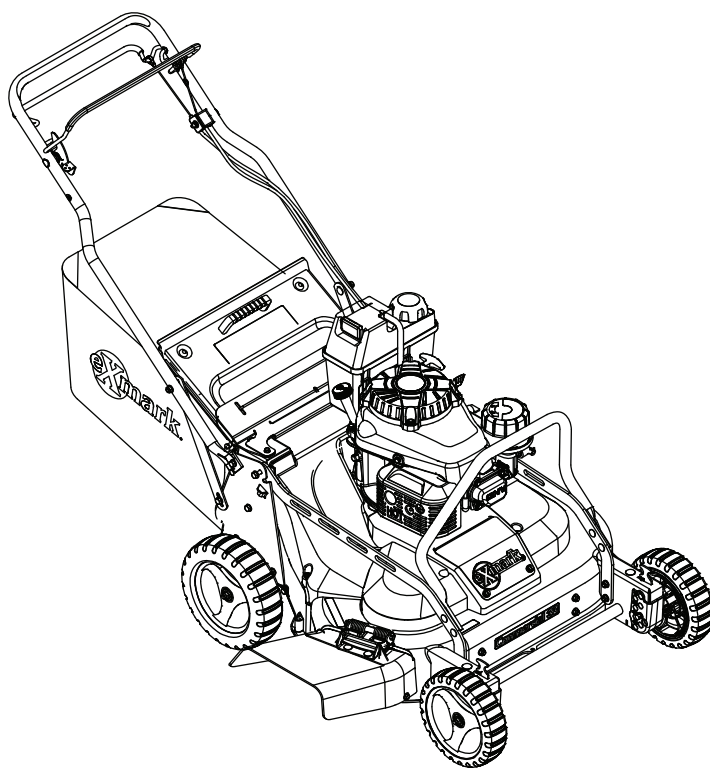




# COMMERCIAL 30

Model No. ECS180CKA30000—Serial No. 406294345 and Up

Picture below may not reflect actual product.



# Parts Manual

Part No. 4504-525 Rev. A

# Ordering Replacement Parts

To order replacement parts, please supply the part number, the quantity, and the description of each part desired.

## Understanding Reference Numbers

Each identified part in an illustration has a reference number. The reference number for a part also appears in the parts list, along with other information about the part.

This catalog uses two special reference number formats, one to indicate parts in a service assembly and another to indicate the quantity of a given part in an illustration.

## Service Assembly Reference Numbers

Parts in service assemblies have reference numbers in the form a:b. The a represents the reference number of the entire service assembly and the b represents a sequential number unique to each part within the service assembly.

For example, a wheel assembly might be identified by reference number 6, the tire by 6:1, the valve by 6:2, and the wheel by 6:3. When you order the assembly identified by reference number 6, you receive all parts identified by reference numbers 6:1, 6:2, and 6:3. However, you may also order any part individually. Reference numbers of this type appear in illustration and in parts lists.

## Reference Numbers Indicating Quantity

In an illustration, if a reference number indicates more than one part, the reference number has the form nX y. The n represents the quantity of the part, the X is the multiplication symbol, and the y represents the reference number.

For example, in an illustration, the reference number 2X 37 means that two of the parts identified by reference number 37 are indicated.

# Touch Up Paint

Exmark black touch up spray paint – gloss black.

Exmark red touch up paint (spray paint – P/N 1-850337 - .6 oz liquid bottle – P/N 103-9140).

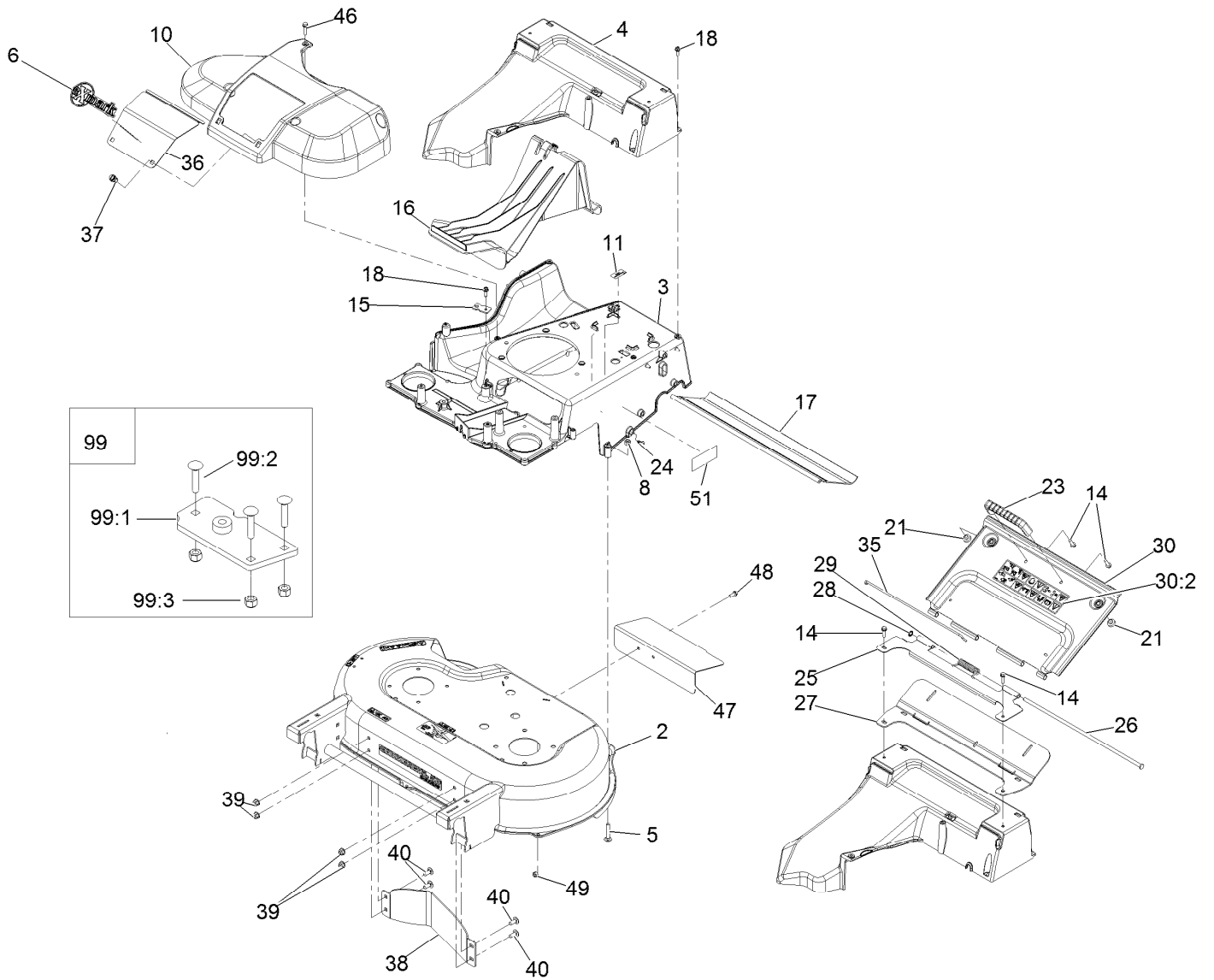


If your Exmark dealer does not have the Exmark part in stock, Exmark will get the parts to the dealer the next business day or the part will be FREE Guaranteed!! (Some restrictions apply. See your participating Exmark Dealer for details.)

## Contents

Deck, Frame, and Chute Assembly .....	4
Deck Assembly W/Decals .....	6
Spindle and Blade Assembly .....	8
Pulleys and Idler Assembly No. 126-7890 .....	10
Side Discharge Chute Assembly .....	12
Bag Assembly .....	14
Engine and Fuel Tank Assembly .....	16
Front Bumper and Wheel Assembly .....	18
Deck and Wheel Assembly .....	20
Handle Assembly .....	22

# Deck, Frame, and Chute Assembly

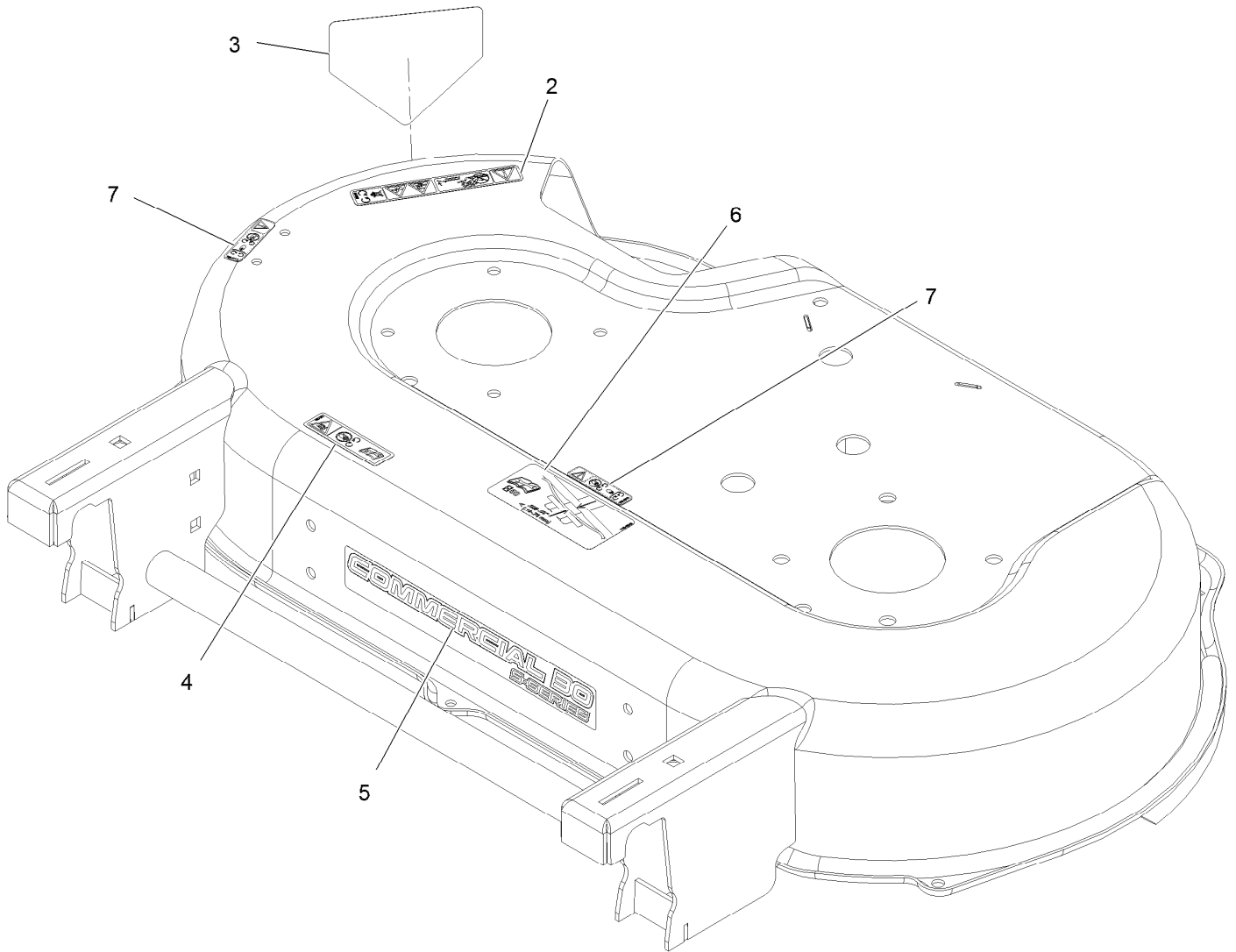


## Deck, Frame, and Chute Assembly (continued)

<i>Ref.</i>	<i>Part Number</i>	<i>Qty.</i>	<i>Description</i>	<i>Ref.</i>	<i>Part Number</i>	<i>Qty.</i>	<i>Description</i>
2	126-7582	1	Deck-30, W/Decals	28	32151-72	1	Ring-Retaining
3	136-5908-01	1	Frame	29	116-7573	1	Spring-Torsion, Cover
4	133-8177	1	Chute	30	116-8355	1	Rear Door ASM
5	3230-5	2	Bolt-Carriage 5/16-18 X 1 3/4	30:2	116-7583	1	Decal-Warning
6	126-6575	1	Decal-Exmark Logo	35	116-6966	1	Clip-Seal
8	3296-29	2	Nut-Nyloc 5/16-18	36	121-5793-03	1	Door-Access
10	139-5406	1	Cover-Belt	37	121-5840	2	Fastener
11	126-4345	1	Decal-Patent	38	130-2352-01	1	Baffle-Control
14	46-8091	4	Screw-HWH 1/4-10 X .82 Plastite	39	104-8300	4	Nut-Nyloc 5/16-18 Flg
15	138-3224	1	Bracket-Cable, Traction	40	3274-55	4	Screw-Button Head 5/16-18 X 3/4
16	120-5225	1	Plug-Mulch	46	32144-86	1	Screw-HWH 1/4-20 X 1 Tf
17	121-5841	1	Shield-Trailing	47	126-6381-01	1	Deflector-Rear
18	49-2040	8	Screw-HWH 1/4-20 X 3/4 Tf	48	32144-85	2	Screw-HWH 1/4-20 X .62
21	1-513658	2	Bumper	49	3296-42	2	Nut-Nyloc 1/4-20
23	65-5100	1	Handle-Door	51	133-8062	1	Decal-Arrestor, Spark
24	117-1092	2	Screw-PTH	99	125-5072	1	Frame Plate Kit
25	116-6351-03	1	Bracket-Hinge	99:1	125-2542	1	Plate-Frame ●
26	116-6933	1	Pin-Hinge	99:2	3229-3	3	Bolt-Carriage 1/4-20 X 1 1/4 ●
27	116-6229	1	Seal-Door	99:3	3296-42	3	Nut-Nyloc 1/4-20 ●

● Not illustrated

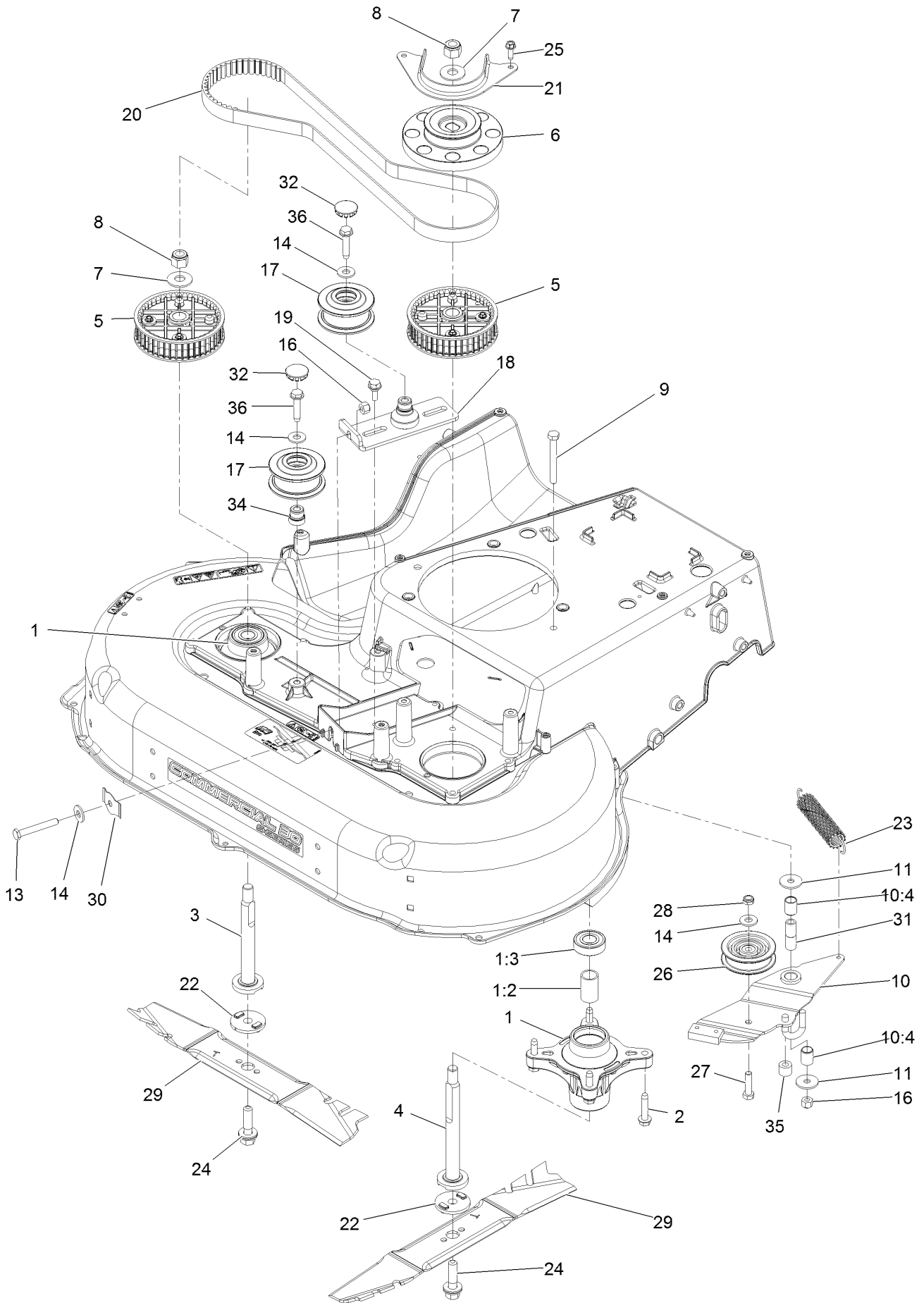
# Deck Assembly W/Decals



## Deck Assembly W/Decals (continued)

<i>Ref.</i>	<i>Part Number</i>	<i>Qty.</i>	<i>Description</i>	<i>Ref.</i>	<i>Part Number</i>	<i>Qty.</i>	<i>Description</i>
2	93-7009	1	Decal-Danger	5	142-2490	1	Decal-Comm 30 S-Series
3	94-8072	1	Decal-Danger	6	116-8528	1	Decal
4	116-7581	1	Decal-Warning	7	120-9570	2	Decal-Warning

# Spindle and Blade Assembly

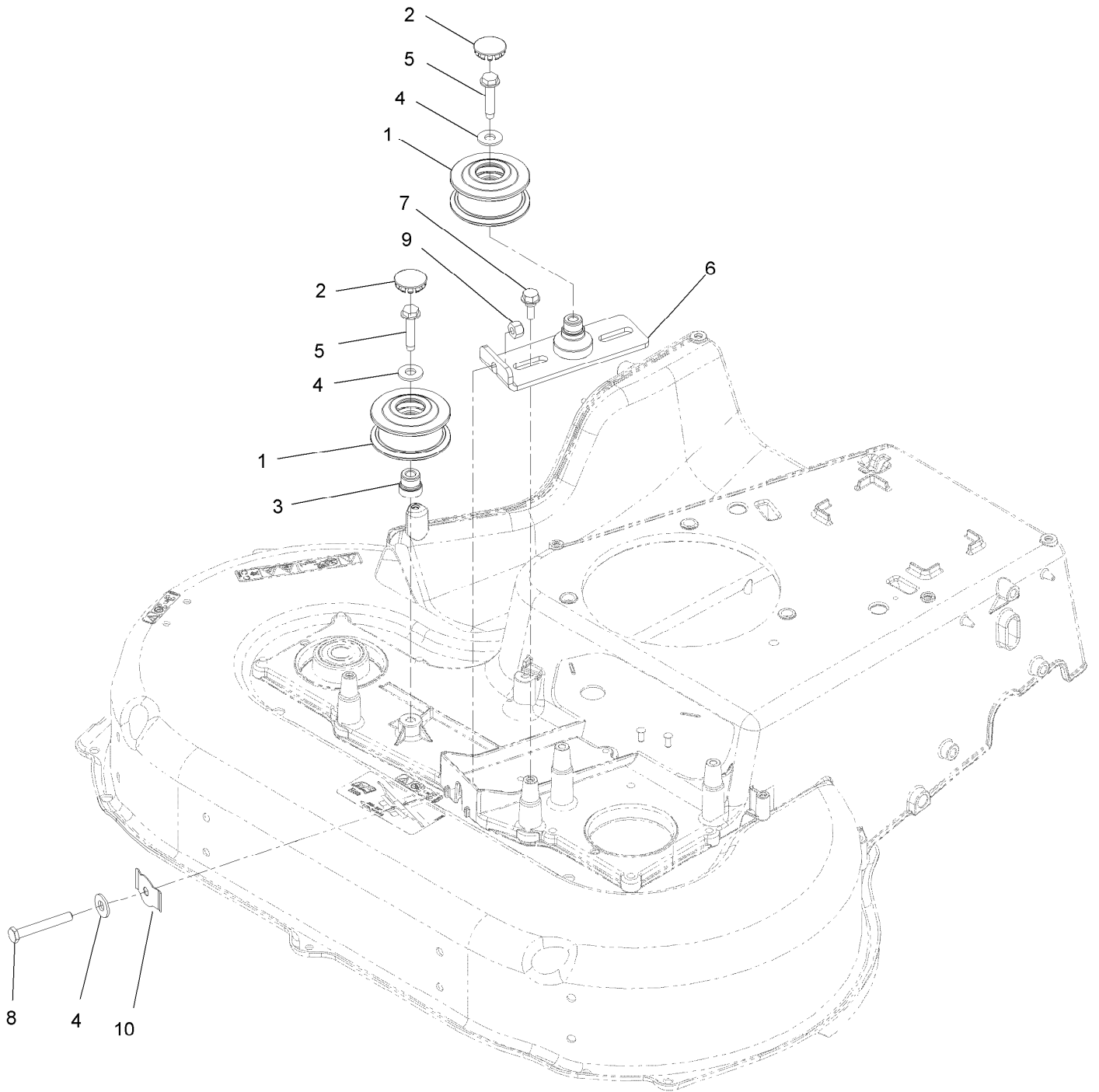




## Spindle and Blade Assembly (continued)

<i>Ref.</i>	<i>Part Number</i>	<i>Qty.</i>	<i>Description</i>	<i>Ref.</i>	<i>Part Number</i>	<i>Qty.</i>	<i>Description</i>
1	121-9107	2	Spindle ASM	19	120-7024	2	Screw-HH Flg 1/4-20 X 3/4 Tf
1:2	120-7935	2	Spacer	20	120-3335	1	Belt-Synchronous
1:3	136-5441	2	Bearing-Ball	21	120-5245-03	1	Guide-Belt, Spindle
2	139-1731	8	Screw-Thd Roll, HWH	22	120-5236	2	Adapter-Blade
3	139-6612	1	Shaft-Spindle	23	121-5808	1	Spring-Extension, Brake
4	139-6613	1	Shaft-Spindle	24	125-2466	2	Bolt-Blade
5	121-9100	2	Sprocket	25	49-2040	2	Screw-HWH 1/4-20 X 3/4 Tf
6	130-6664	1	Pulley-Brake, Spindle	26	120-7082	1	Pulley-Idler
7	109-9505	2	Washer, Spring Disc 1/2	27	322-6	1	Screw-HH 5/16-18 X 1 1/4
8	3296-19	2	Nut-Nyloc 1/2-20	28	3296-47	1	Nut-Nyloc 5/16-18 Thin
9	322-13	1	Screw-HH 5/16-18 X 2 3/4	29	116-6358-03	2	Blade-Rotary
10	136-5903	1	Brake Arm ASM	30	121-2336	1	Spring-Flat
10:4	131-0819	2	Bushing-Sleeve	31	131-0823	1	Spacer-Brake
11	5-4460	2	Washer-Pivot	32	126-7151	2	Plug-Button
13	9114524	1	Bolt-HH 5/16-18 X 2 1/4 Tap	34	131-4504	1	Adapter-Bore
14	3256-3	4	Washer-5/16 Std	35	133-1964	1	Hose-Coolant
16	3296-29	2	Nut-Nyloc 5/16-18	36	32144-57	2	Screw-HWH 5/16-18 X 1 1/2 Tf
17	126-7890	1	Pulleys And Idler Kit				
18	126-6453	1	Bracket-Idler				

# Pulleys and Idler Assembly No. 126-7890

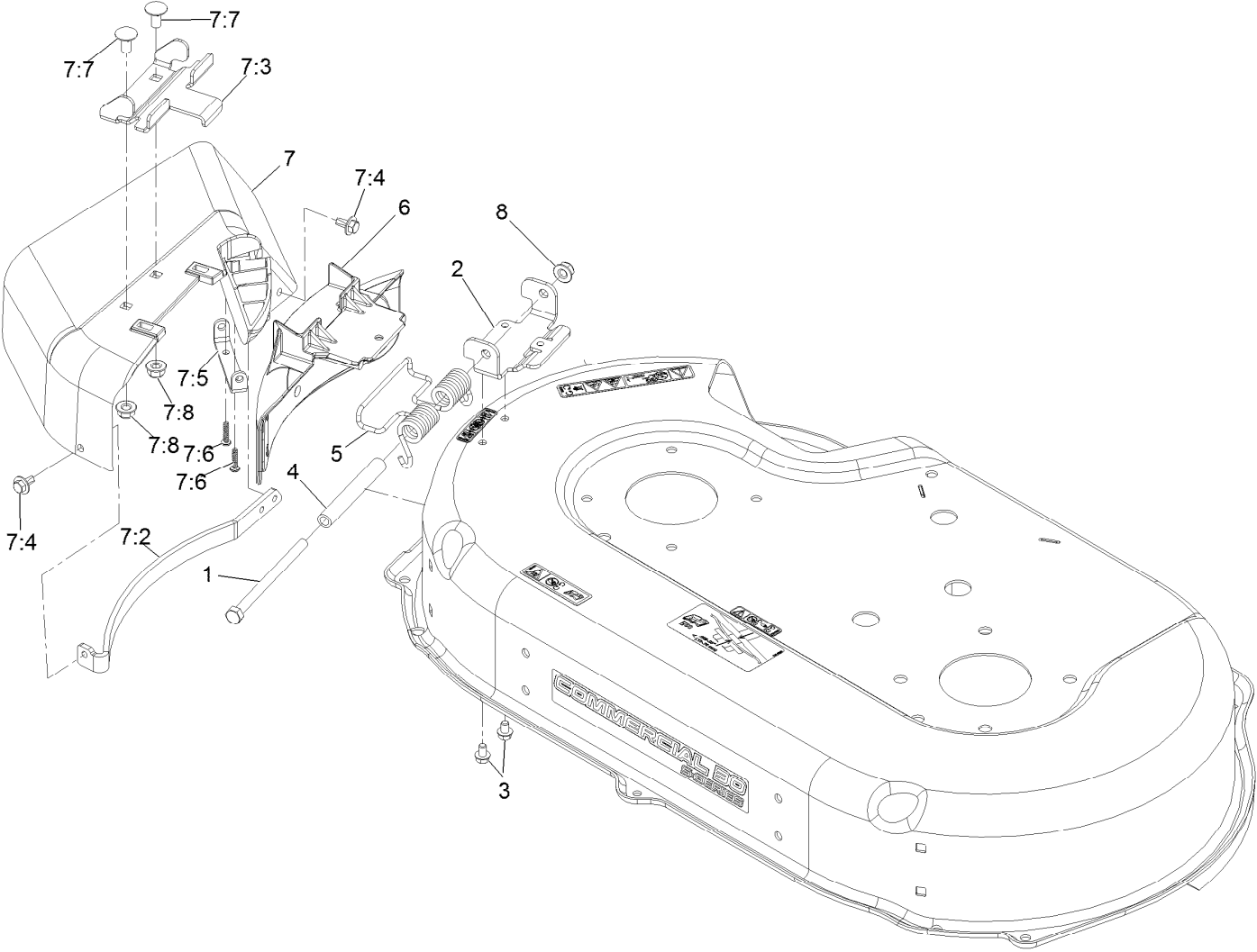


## Pulleys and Idler Assembly No. 126-7890 (continued)

<i>Ref.</i>	<i>Part Number</i>	<i>Qty.</i>	<i>Description</i>
1	126-5880	2	Pulley-Idler, Flat
2	126-7151	2	Plug-Button
3	131-4504	1	Adapter-Bore
4	3256-3	3	Washer-Flat
5	32144-57	2	Screw

<i>Ref.</i>	<i>Part Number</i>	<i>Qty.</i>	<i>Description</i>
6	126-6453	1	Bracket-Idler
7	120-7024	2	Screw-Shoulder, HWH
8	9114524	1	Bolt-TAP, HH
9	3296-29	1	Nut-Lock, NI
10	121-2336	1	Spring-Flat

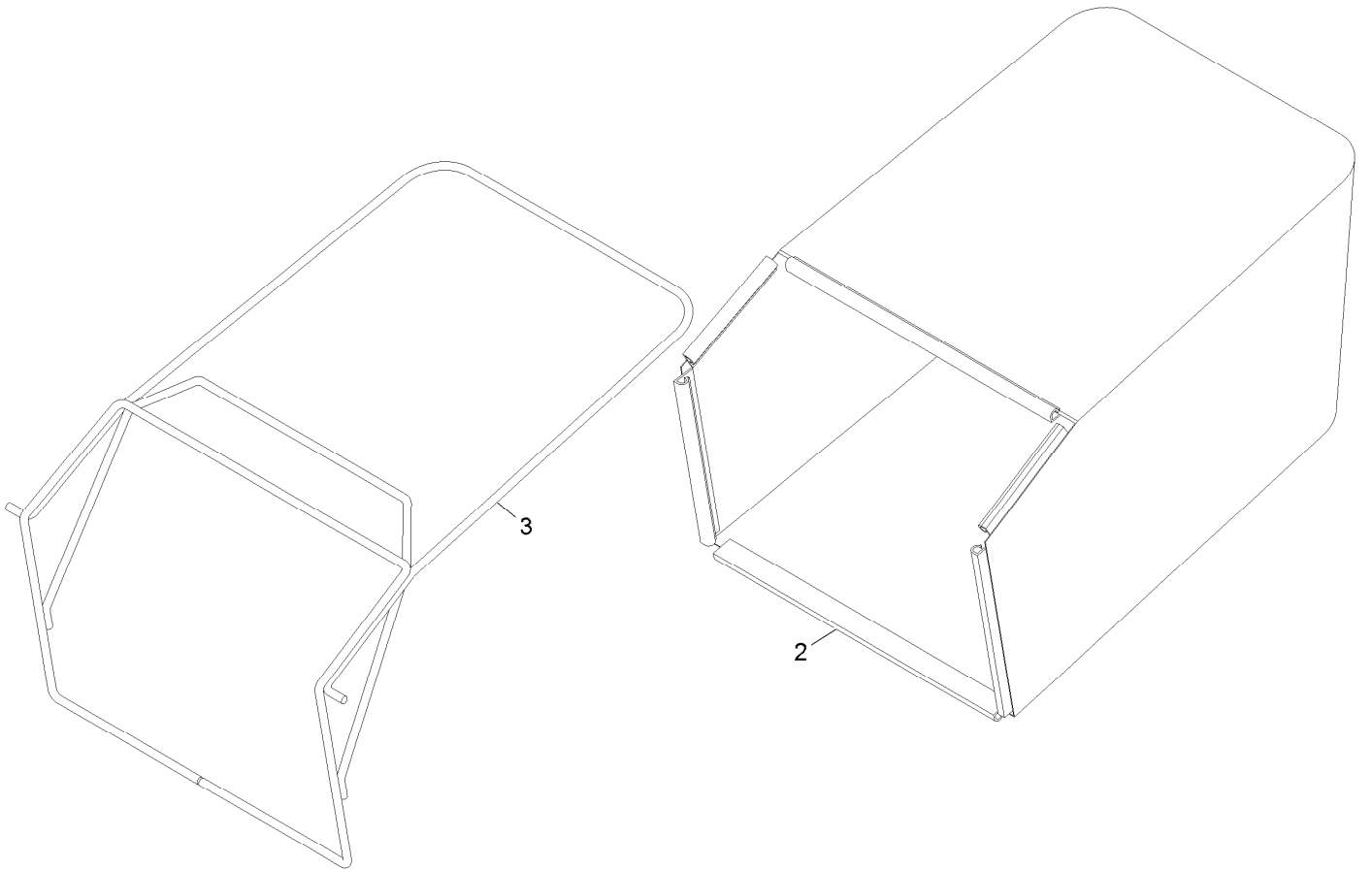
# Side Discharge Chute Assembly



## Side Discharge Chute Assembly (continued)

<i>Ref.</i>	<i>Part Number</i>	<i>Qty.</i>	<i>Description</i>	<i>Ref.</i>	<i>Part Number</i>	<i>Qty.</i>	<i>Description</i>
1	322-38	1	Screw-HH 5/16-18 X 4 1/2	7:3	121-9196	1	Bracket-Chute
2	121-9195	1	Hinge	7:4	46-8560	2	Screw-HHF 1/4-20 X 1/2
3	137-4795	2	Screw	7:5	112-6416	1	Bracket-Cover
4	125-2478	1	Spacer	7:6	94-4496	2	Screw-PPH
5	121-9193	1	Spring-Torsion	7:7	3230-18	2	Bolt-Carriage 5/16-18 X 5/8
6	125-5093-01	1	Cover-Discharge	7:8	104-8300	2	Nut-Nyloc 5/16-18 Flg
7	116-9754	1	Side Discharge Chute ASM	8	104-8300	1	Nut-Nyloc 5/16-18 Flg
7:2	116-9752-03	1	Guard-Chute				

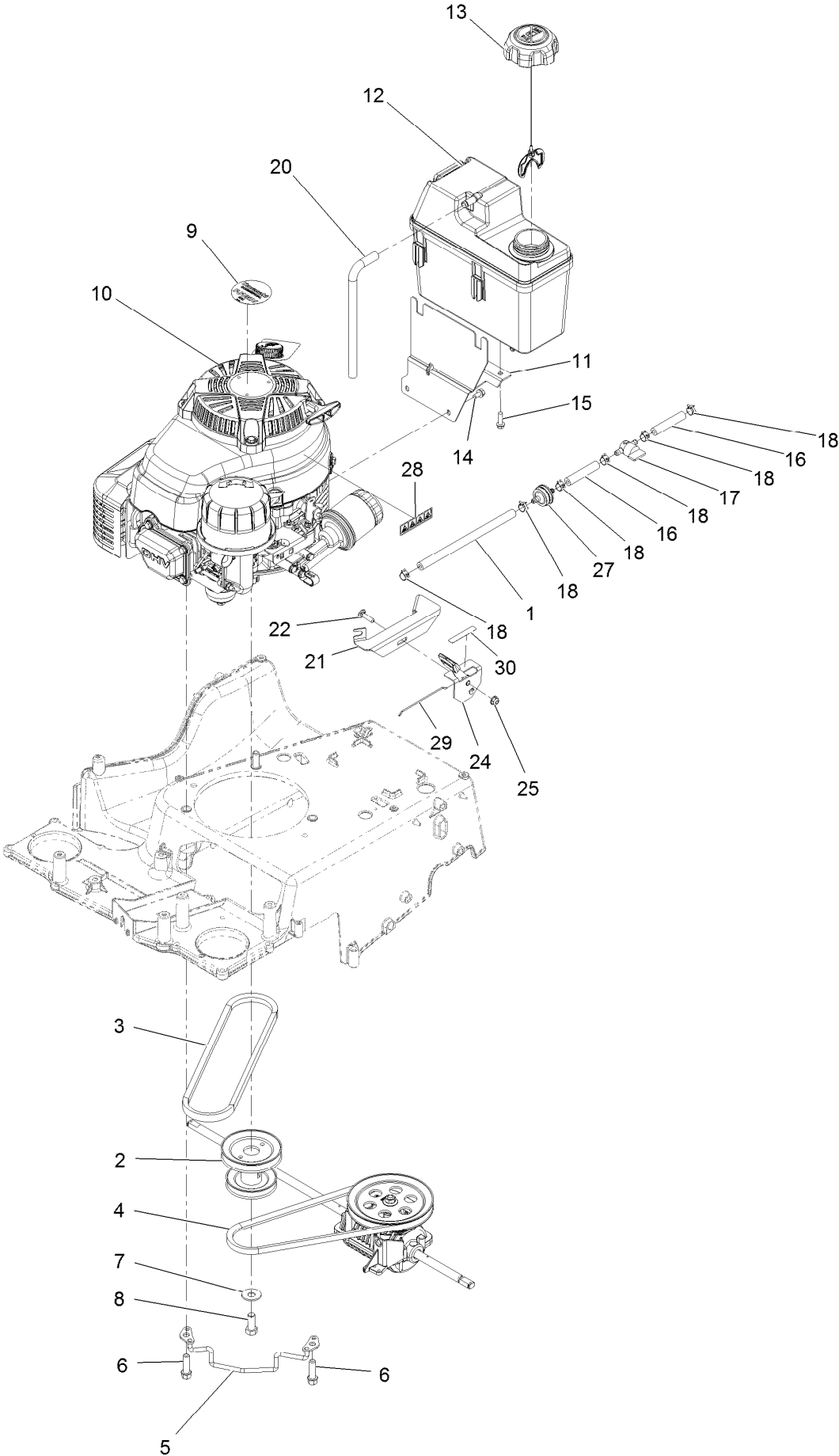
# Bag Assembly



## Bag Assembly (continued)

<i>Ref.</i>	<i>Part Number</i>	<i>Qty.</i>	<i>Description</i>
2	116-6350	1	Bag-Grass
3	116-5596-03	1	Frame-Bag

# Engine and Fuel Tank Assembly





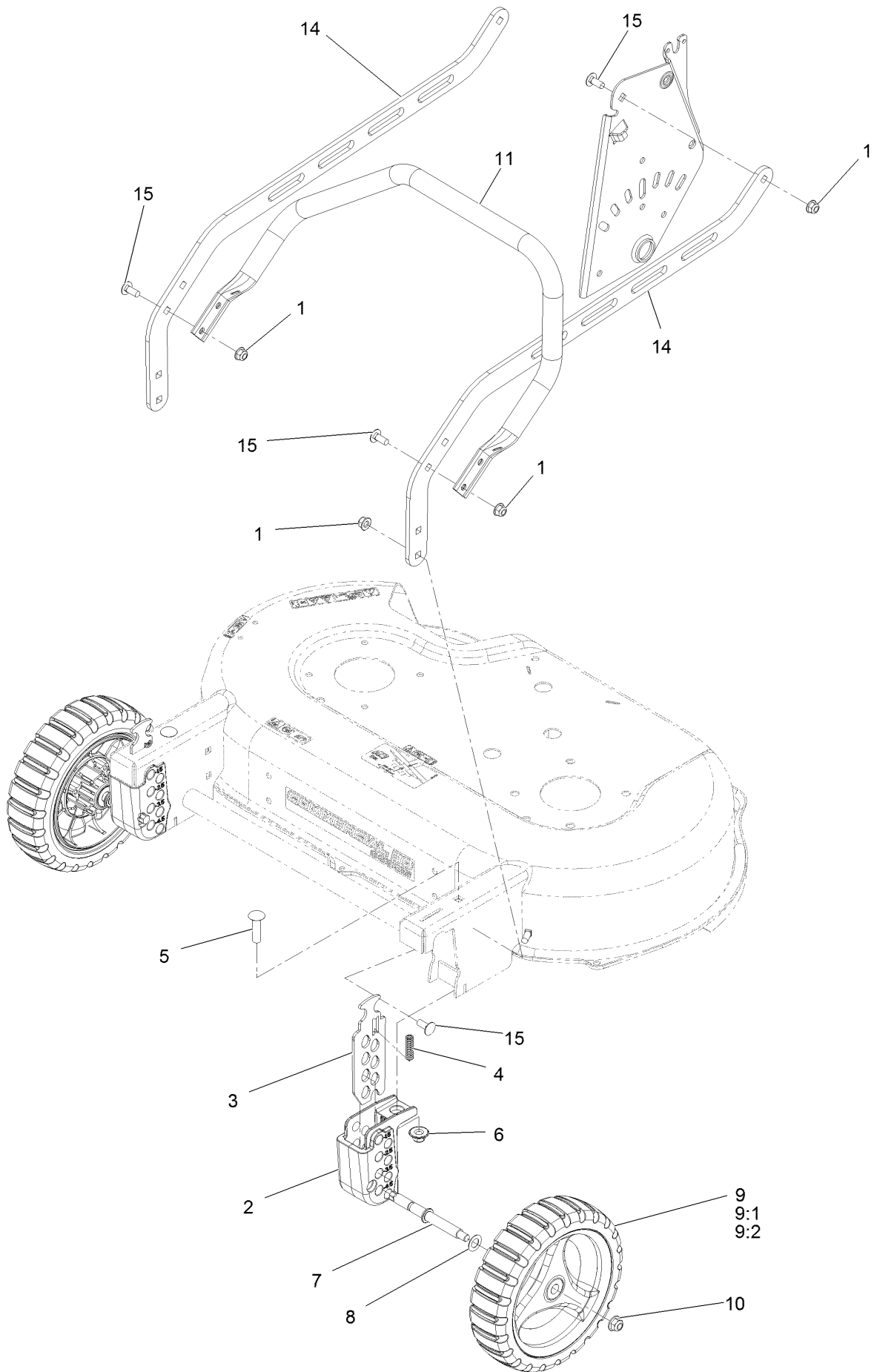
## Engine and Fuel Tank Assembly (continued)

<i>Ref.</i>	<i>Part Number</i>	<i>Qty.</i>	<i>Description</i>	<i>Ref.</i>	<i>Part Number</i>	<i>Qty.</i>	<i>Description</i>
1	119-1892	1	Hose-Fuel	15	46-8091	2	Screw-HWH 1/4-10 X .82 Plastite
2	137-9177	1	Pulley-Engine	16	109-0304	2	Hose-Fuel Line 2 1/2"
3	121-5765	1	V-Belt	17	1-603770	1	Valve-Fuel
4	116-7116	1	Belt	18	2412-98	6	Clamp-Hose
5	139-1734	1	Guide-Belt, Wa	20	115-0962	1	Hose-Vent, Canister
6	95-1727	3	Screw-HWH 3/8-16 X 1 1/4 Taptite	21	130-6440-03	1	Bracket-Mount, Throttle
7	3290-465	1	Washer-Spring Disc	22	3229-30	1	Bolt-Carriage 1/4-20 X 1
8	3212-4	1	Screw-HH 7/16-20 X 1	24	130-9655	1	Control-Throttle
9	109-6528	1	Decal-Recoil	25	104-7201	1	Nut-Nyloc 1/4-20 Flg
10		1	Engine-Kawasaki Fj180V ●■	27	139-5916	1	Filter-Fuel
11	115-0954-03	1	Mount-Tank	28	116-9313	1	Decal-Warning, Engine
12	114-0280	1	Tank-Fuel	29	130-9654	1	Wire-Control
13	137-4127	1	Cap-Fuel	30	130-9656	1	Decal-Throttle, Choke
14	116-8929	3	Screw-HWH				

● Not serviced separately

■ Obtain parts from [www.kawpowerepc.com](http://www.kawpowerepc.com)

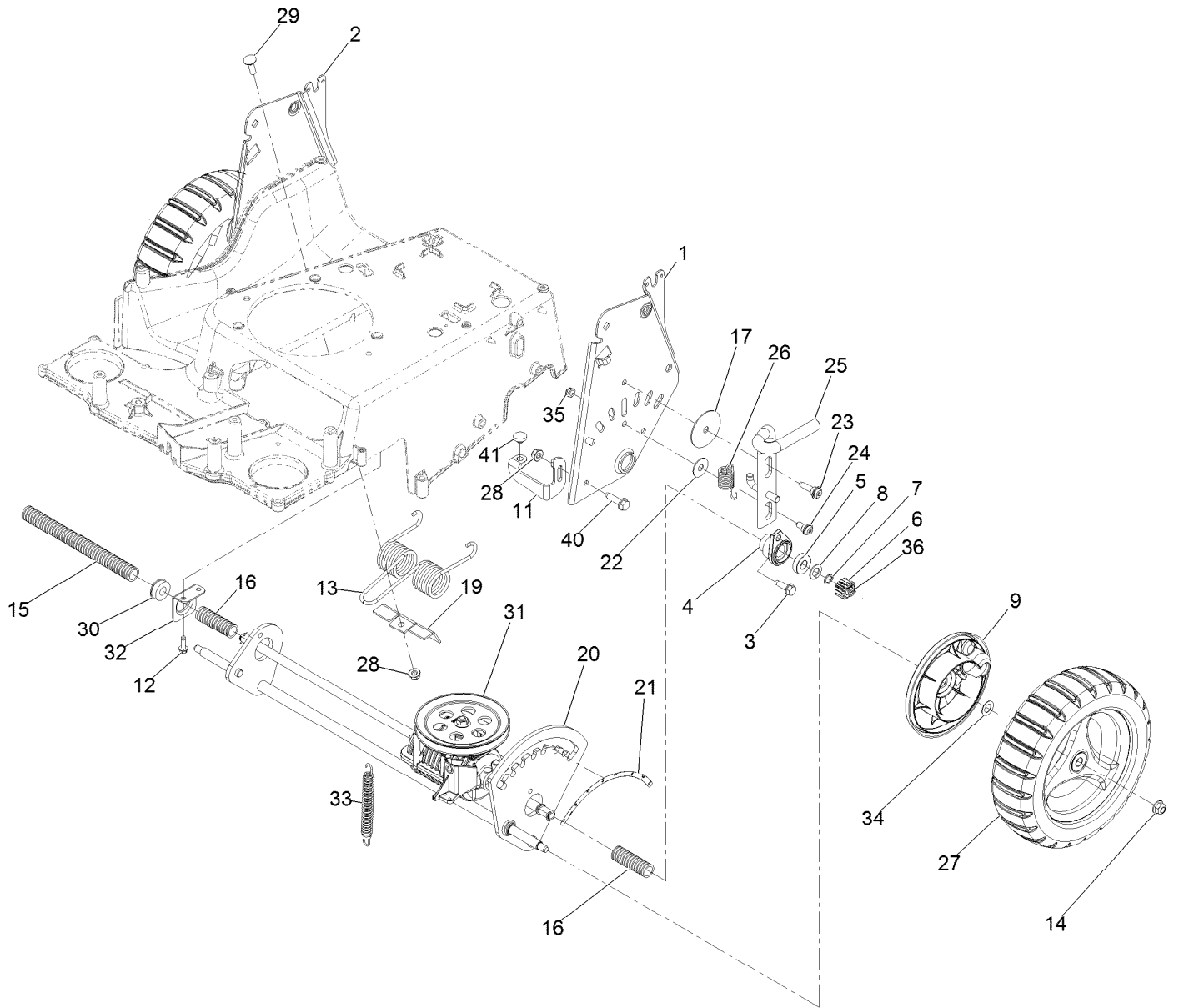
# Front Bumper and Wheel Assembly



## Front Bumper and Wheel Assembly (continued)

<i>Ref.</i>	<i>Part Number</i>	<i>Qty.</i>	<i>Description</i>	<i>Ref.</i>	<i>Part Number</i>	<i>Qty.</i>	<i>Description</i>
1	104-8300	10	Nut-Nyloc 5/16-18 Flg	9	126-7347	2	Wheel ASM, 9" W/Bearings
2	116-6357	2	Block-Front Quadrant	9:1	126-7345	1	Wheel ASM, 9"
3	109-9292	2	Plate, Front Height	9:2	133-2603	2	Bearing-Ball
4	109-7258	2	Spring-Compression	10	104-8301	2	Nut-Nyloc 3/8-16 Flg
5	3231-26	2	Bolt-Carriage 3/8-16 X 1 1/2	11	116-7675-03	1	Guard-Engine
6	109-6658	2	Nut-Nyloc 3/8-16 Flg	14	116-7661-03	2	Brace-RH
7	116-0994	2	Axle-Wheel	15	3230-23	10	Bolt-Carriage 5/16-18 X 3/4 Short Neck
8	36-4780	2	Washer				

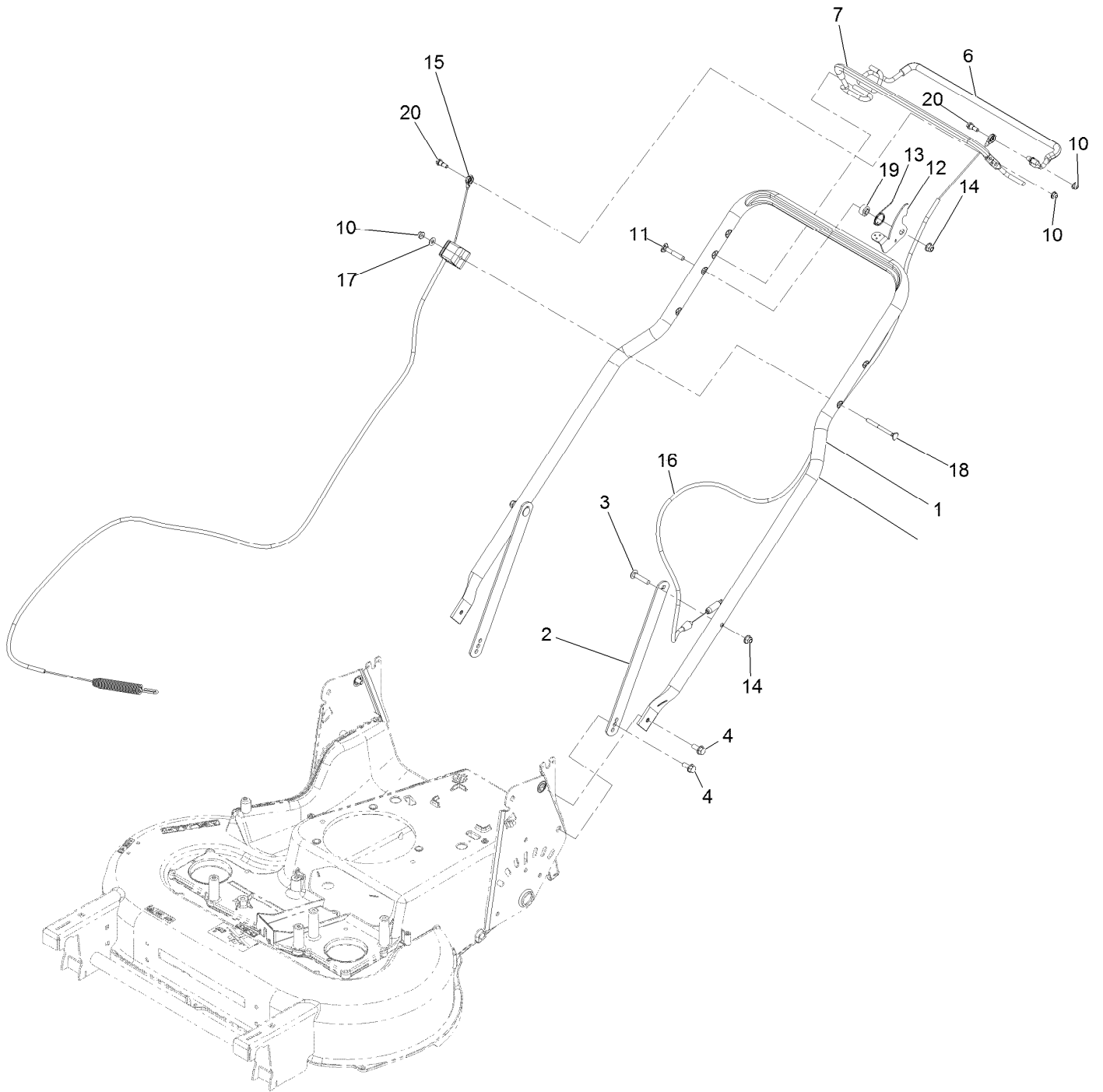
# Deck and Wheel Assembly



## Deck and Wheel Assembly (continued)

<i>Ref.</i>	<i>Part Number</i>	<i>Qty.</i>	<i>Description</i>	<i>Ref.</i>	<i>Part Number</i>	<i>Qty.</i>	<i>Description</i>
1	121-2394-03	1	LH HOC Plate ASM	23	119-2267	1	Screw-Button Head 5/16-18 X 1 Tf
2	121-2395-03	1	RH HOC Plate ASM	24	120-9471	1	Screw-Shoulder Bh 5/16-18 X 1/2 Tf Torx
3	701243	6	Screw-HWH 5/16-18 X 1 Tf	25	139-1737	1	Lock-Height, Adj
4	136-5929	2	Retainer-Bearing	26	120-9452	1	Spring-Extension
5	133-2603	2	Bearing-Ball	27	126-7346	2	Wheel ASM, 10.5 W/Gear
6	131-5399	2	Gear-Pinion, 15T	28	104-8300	2	Nut-Nyloc 5/16-18 Flg
7	32151-61	1	Ring-Retaining	29	3230-2	1	Bolt-Carriage 5/16-18 X 1
8	110-7191	2	Washer-Thrust	30	104-8699	1	Bearing-Ball
9	126-7818	2	Cover,Gear	31	131-9667	1	Transmission Kit
11	131-5344	1	Bracket-Stop, Adjustable	32	138-3233	1	Mount-Bearing
12	49-2040	2	Screw-HWH 1/4-20 X 3/4 Tf	33	120-7027	1	Spring-Extension
13	121-2368	1	Spring-Torsion	34	36-4780	2	Washer
14	104-8301	2	Nut-Nyloc 3/8-16 Flg	35	3296-47	1	Nut-Nyloc 5/16-18 Thin
15	121-5799	1	Conduit-Convoluted	36	130-2369	2	Pin-Snap
16	121-5800	2	Conduit-Convoluted	40	32144-49	1	Screw-HWH 5/16-18 1 1/4 Tf
17	125-2540	1	Washer-Plain	41	1-513658	1	Bumper
19	121-2397	1	Bracket				
20	131-4516	1	Axle-Rear				
21	116-7127	1	Decal-HOC, Rear				
22	52-2860	1	Washer				

# Handle Assembly



## Handle Assembly (continued)

<i>Ref.</i>	<i>Part Number</i>	<i>Qty.</i>	<i>Description</i>	<i>Ref.</i>	<i>Part Number</i>	<i>Qty.</i>	<i>Description</i>
1	137-4767-03	1	Handle	13	109-9318	1	Spring-Lever, BBC
2	116-8208-03	2	Support-Handle	14	104-8300	3	Nut-Nyloc 5/16-18 Flg
3	3230-4	2	Bolt-Carriage 5/16-18 X 1 1/2	15	137-4759	1	Cable-BBC
4	116-7230	4	Screw-HHF	16	137-4758	1	Cable-Traction
6	139-1815	1	Bail-Traction, Coated	17	3256-1	1	Washer-Flat
7	137-4810	1	Bail-BBC, Coated	18	92-2267	1	Screw-Handle
10	104-7201	3	Nut-Nyloc 1/4-20 Flg	19	116-2690	1	Bushing-Stepped
11	112-8876	1	Bolt-Carriage 5/16-18 X 2	20	42-3560	2	Bolt-Shoulder
12	116-2998	1	Lever-BBC	99	614249	3	Tie-Cable ●

● Not illustrated

## EXMARK ACCESSORIES AND OPTIONS\*

### MID-MOUNT RIDING ACCESSORIES AND OPTIONS

CUSTOM RIDE SEAT SUSPENSION SYSTEM	OPERATOR CONTROLLED DISCHARGE
FULL SUSPENSION SEAT	SUN SHADE
DECK LIFT ASSIST KIT	TRASH CONTAINER
HITCH KIT	TURF STRIPER
LIGHT KIT	ULTRA VAC COLLECTION SYSTEM
12V POWER PORT	ULTRA VAC QUICK DISPOSAL SYSTEM
MICRO-MULCH SYSTEM	

### OUT-FRONT RIDING ACCESSORIES AND OPTIONS

CUSTOM RIDE SEAT SUSPENSION SYSTEM	SNOW BLADE
DUAL-TAIL WHEEL	SNOWBLOWER
FLOOR PAN EXTENDER	SUN SHADE
HITCH KIT	TRASH CONTAINER
LIGHT KIT	ULTRA VAC COLLECTION SYSTEM
MICRO-MULCH SYSTEM	ULTRA VAC QUICK DISPOSAL SYSTEM
ROLL OVER PROTECTION SYSTEM (ROPS)	WEATHER CAB

### WALK-BEHIND ACCESSORIES AND OPTIONS

GRASS CATCHER	TURF STRIPER
MICRO-MULCH SYSTEM	STANDON

\*Some accessories and options not available for some models.

Place Model No. and Serial No.  
Label Here (Included in the Literature  
Pack) or Fill in Below

Model No. \_\_\_\_\_

Serial No. \_\_\_\_\_

Date Purchased \_\_\_\_\_

Engine Model No. and Spec. No. \_\_\_\_\_

Engine Serial No. (E/No) \_\_\_\_\_

© 2019 Exmark Mfg. Co., Inc.  
2101 Ashland Ave  
Beatrice, NE 68310  
All Rights Reserved

Part No. 4504-525 Rev. A  
(402) 223-6375  
Fax (402) 223-5489  
Printed in the USA.

