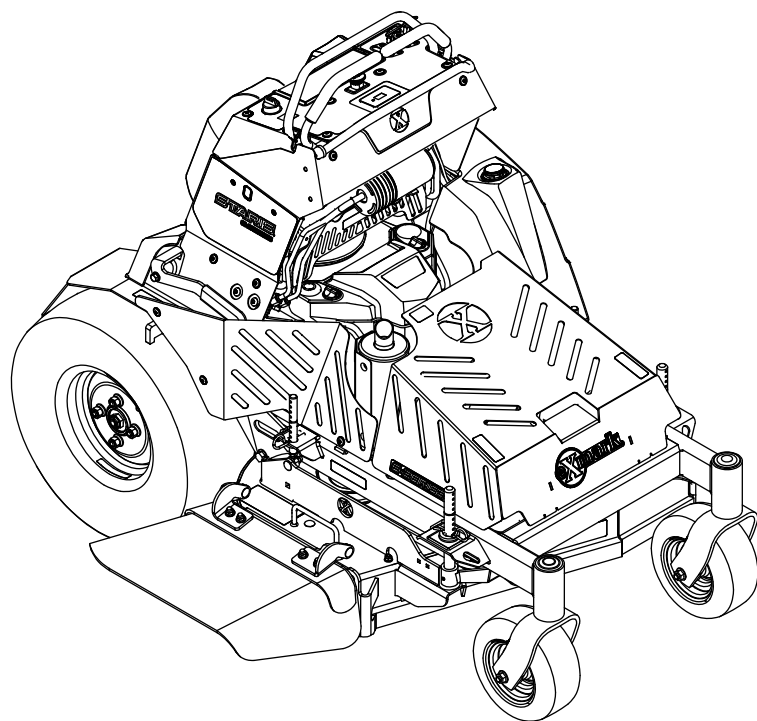




STARIS® E-SERIES

Model No. STE600CKA36300—Serial No. 404314159 and Up

Picture below may not reflect actual product.



Parts Manual

Ordering Replacement Parts

To order replacement parts, please supply the part number, the quantity, and the description of each part desired.

Understanding Reference Numbers

Each identified part in an illustration has a reference number. The reference number for a part also appears in the parts list, along with other information about the part.

This catalog uses two special reference number formats, one to indicate parts in a service assembly and another to indicate the quantity of a given part in an illustration.

Service Assembly Reference Numbers

Parts in service assemblies have reference numbers in the form a:b. The a represents the reference number of the entire service assembly and the b represents a sequential number unique to each part within the service assembly.

For example, a wheel assembly might be identified by reference number 6, the tire by 6:1, the valve by 6:2, and the wheel by 6:3. When you order the assembly identified by reference number 6, you receive all parts identified by reference numbers 6:1, 6:2, and 6:3. However, you may also order any part individually. Reference numbers of this type appear in illustration and in parts lists.

Reference Numbers Indicating Quantity

In an illustration, if a reference number indicates more than one part, the reference number has the form nX y. The n represents the quantity of the part, the X is the multiplication symbol, and the y represents the reference number.

For example, in an illustration, the reference number 2X 37 means that two of the parts identified by reference number 37 are indicated.

Touch Up Paint

Exmark black touch up spray paint – gloss black.

Exmark red touch up paint (spray paint – P/N 1-850337 - .6 oz liquid bottle – P/N 103-9140).

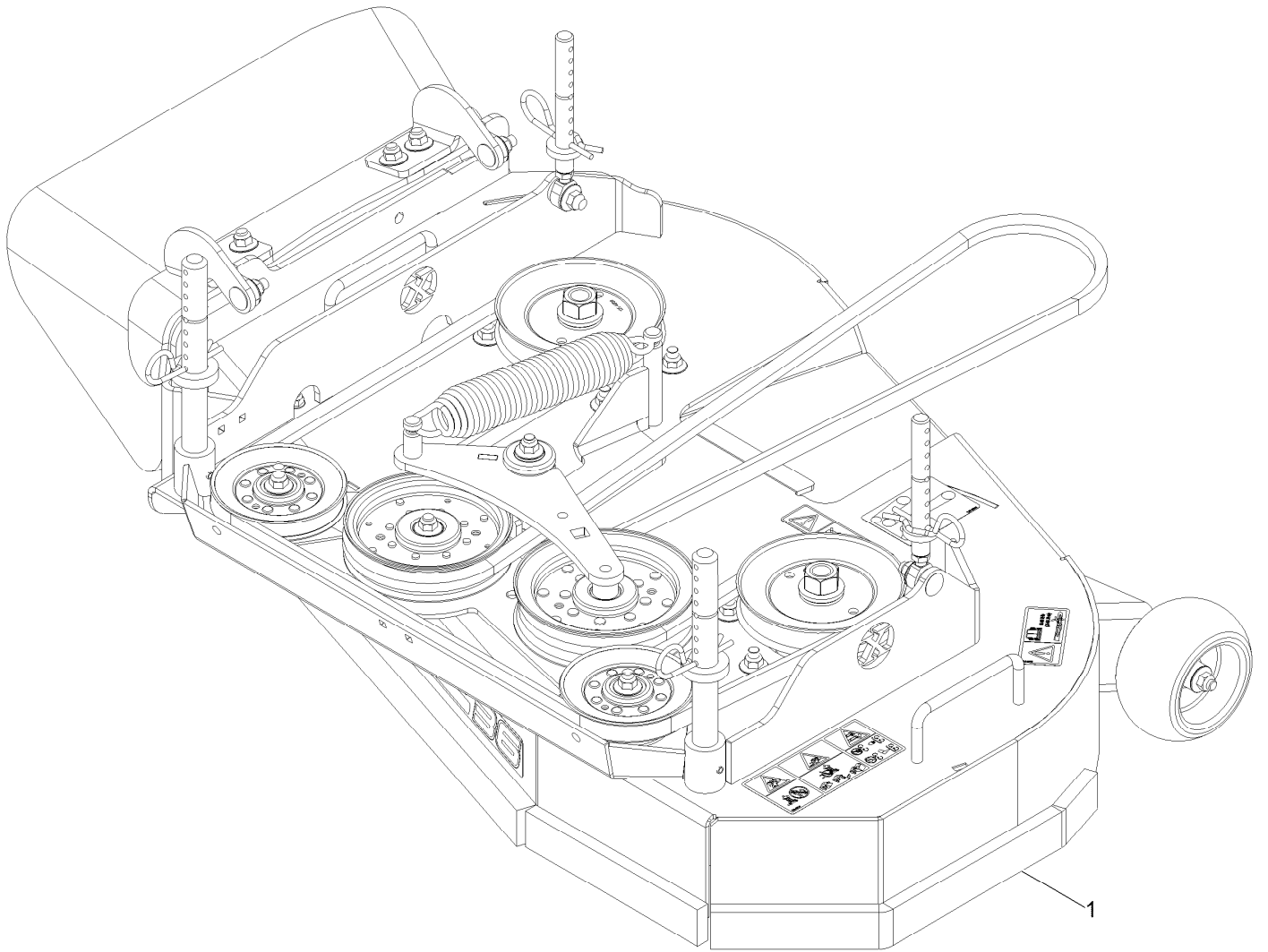


If your Exmark dealer does not have the Exmark part in stock, Exmark will get the parts to the dealer the next business day or the part will be FREE Guaranteed!! (Some restrictions apply. See your participating Exmark Dealer for details.)

Contents

Complete Deck Assembly	4
Deck Assembly	6
Deck W/Decals Assembly	8
Discharge Deflector Assembly	10
Idler Assembly	12
Main Frame Assembly	14
Controls Assembly	16
Left Motion Control Assembly	18
Right Motion Control Assembly	20
Platform Assembly	22
Guarding Assembly	24
Caster Wheel Assembly	26
Park Brake Assembly	28
Tire and Wheel Assembly	30
Fuel Assembly	32
Fuel Tank Assembly-cont.	34
Fuel Line and Valve Assembly	36
Engine Assembly	38
Hydraulic Assembly	40
Idler Arm Assembly	42
Electrical Assembly	44
Harness Assembly	46

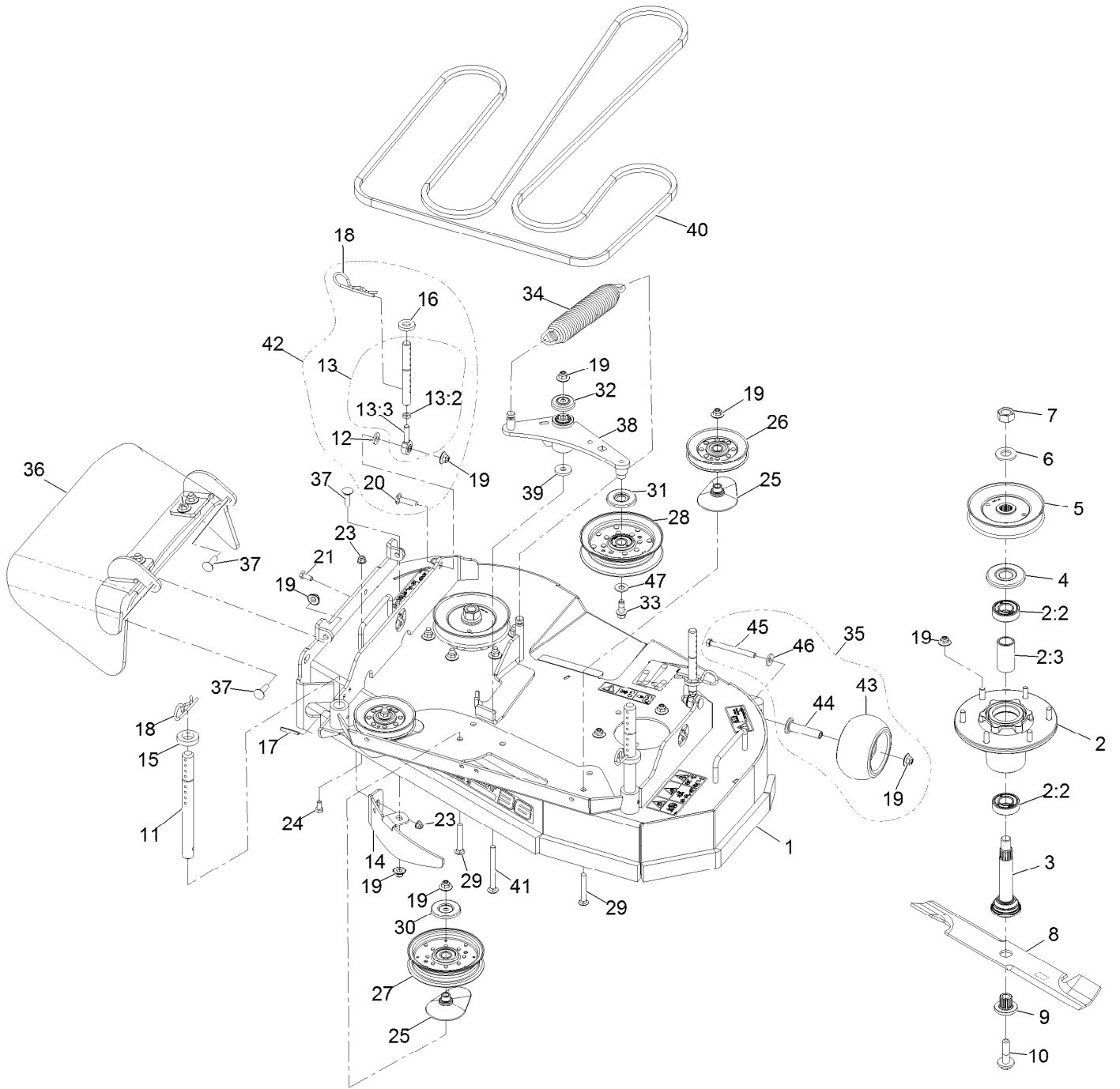
Complete Deck Assembly



Complete Deck Assembly (continued)

<i>Ref.</i>	<i>Part Number</i>	<i>Qty.</i>	<i>Description</i>
1	135-3715	1	ASM-Deck Complete 363

Deck Assembly



Deck Assembly (continued)

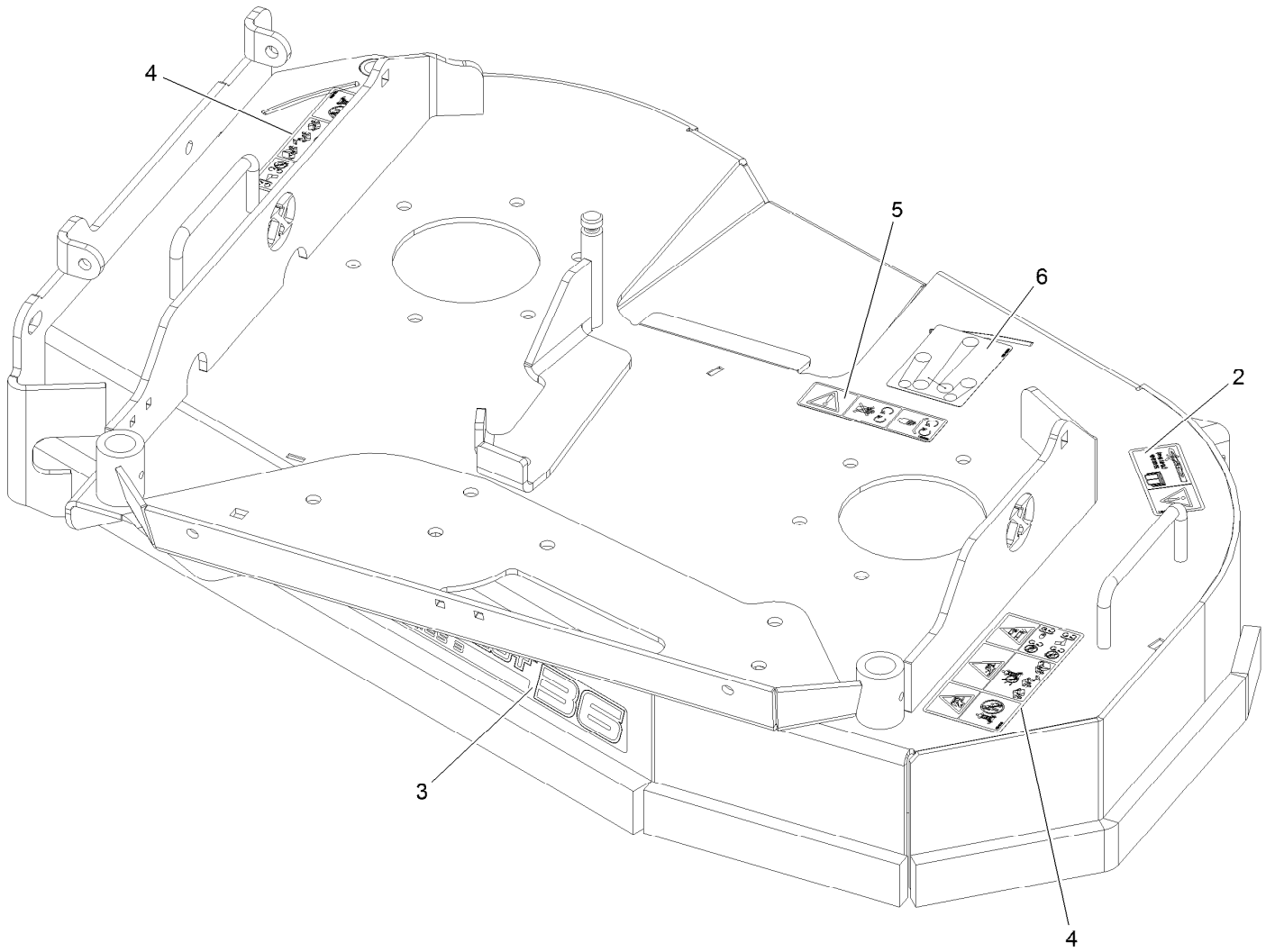
<i>Ref.</i>	<i>Part Number</i>	<i>Qty.</i>	<i>Description</i>	<i>Ref.</i>	<i>Part Number</i>	<i>Qty.</i>	<i>Description</i>
1	135-1672	1	ASM-Deck Decals 36	20	3231-26	2	Bolt-Carriage 3/8-16 X 1 1/2
2	116-3344	2	ASM-Cutter Hsg With Bearings	21	322-3	1	Screw-HH 5/16-18 X 3/4
2:2	116-0720	2	Bearing-Ball	23	104-8300	2	Nut-Nyloc 5/16-18 Flg
2:3	116-3312	1	Spacer-Bearing	24	322-2	1	Screw-HH 5/16-18 X 5/8
3	116-3342	2	ASM-Spindle And Seal	25	109-2872	3	Spacer-Pulley
4	116-1286	2	Guard,Bearing Top .989	26	135-4398	2	Idler - V 4.13 Eod-A
5	135-4809	2	Sheave-Blade Drive	27	126-9187	1	Pulley-Idler, Flat
6	103-2802	2	Washer-Spring Disc 3/4	28	126-9196	1	Idler-Pulley, Flat
7	116-7306	2	Nut-Hex	29	3231-31	3	Bolt-Carriage 3/8-16 X 2 1/2
8	116-5175	2	Blade-Extreme 2, 18.00" ●	30	126-8043	1	Shield-Dust
8	103-6402	2	Blade-Notched	31	126-9195	1	Shield-Guard, Dust
8	103-6392	2	Blade, Mulching ▲	32	103-2916	1	Guard-Top
8	103-6387	2	Blade, Low Lift ●	33	126-1680	1	Screw-Hfh
8	103-6382	2	Blade, Solid ●	34	116-6317	1	Spring-Extension
9	103-3037	2	Bushing, Splined	35	126-7840	1	Kit-Antiscalp Roller
10	109-9220	2	Screw-Sems 1/2-20 X 2.19	36	135-2160	1	Rubber Deflector ASM
11	135-2208	2	Rod, Deck Support	37	3231-25	3	Bolt-Carriage 3/8-16 X 1 1/4
12	43-0940	2	Spacer	38	135-1679	1	ASM.-Arm, Idler
13		2	ASM, Support Link ■	39	1-373034	1	Washer
13:2	1-613204	1	Balljoint	40	135-3214	1	Belt-V
13:3	3220-3	1	Nut-Jam 3/8-24	41	135-0313	1	Screw-CARR
14	126-2783-01	1	Baffle, Dogleg	42	135-2738	1	Kit-Support Link Svc
15	1-413425	2	Spacer-Deck Support	43	1-603299	1	Roller-Scalp, Anti
16	1-323539	2	Spacer-Blade Drive	44	116-8131	1	Axle, Roller
17	1-806332	2	Rollpin 1/4 X 1 1/2	45	116-9362	1	Screw-HH 3/8-16 X 3 3/4 GR 8
18	103-7353	4	Pin-Cut Height	46	98-5975	1	Washer-Spring Disc 3/8
19	109-6658	22	Nut-Nyloc 3/8-16 Flg	47	3256-4	1	Washer-3/8 Std

● Optional Equipment

■ Not serviced separately

▲ Requires installation of mulch kit for proper mulching. See your Exmark dealer for details.

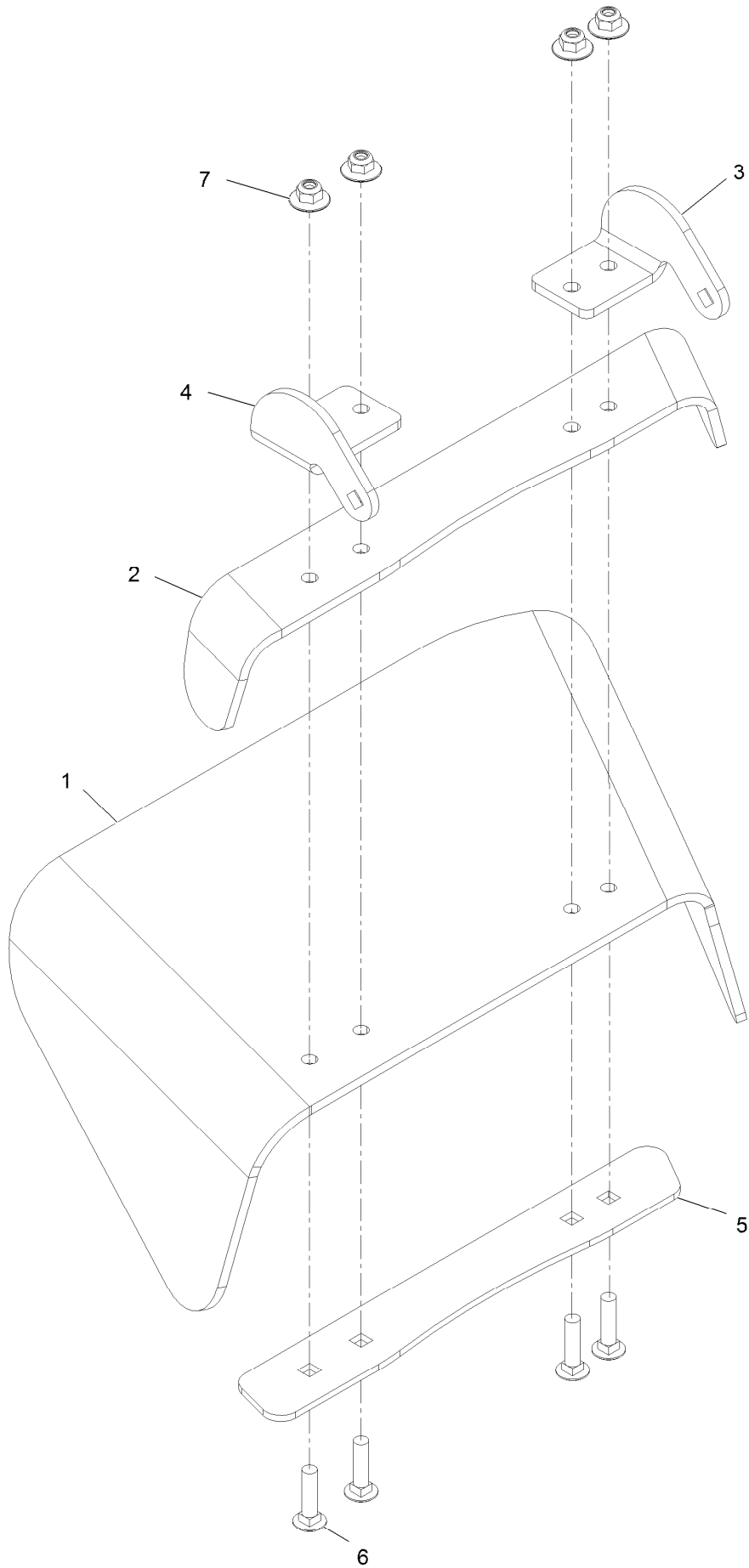
Deck W/Decals Assembly



Deck W/Decals Assembly (continued)

<i>Ref.</i>	<i>Part Number</i>	<i>Qty.</i>	<i>Description</i>	<i>Ref.</i>	<i>Part Number</i>	<i>Qty.</i>	<i>Description</i>
2	116-8283	1	Decal-Bolt Torque	5	112-9028	1	Decal-Cover, Missing
3	126-6745	1	Decal-Ultracut 36 Series 3	6	135-3004	1	Decal-Belt Routing
4	135-5210	2	Decal-Warning Thrown Obj				

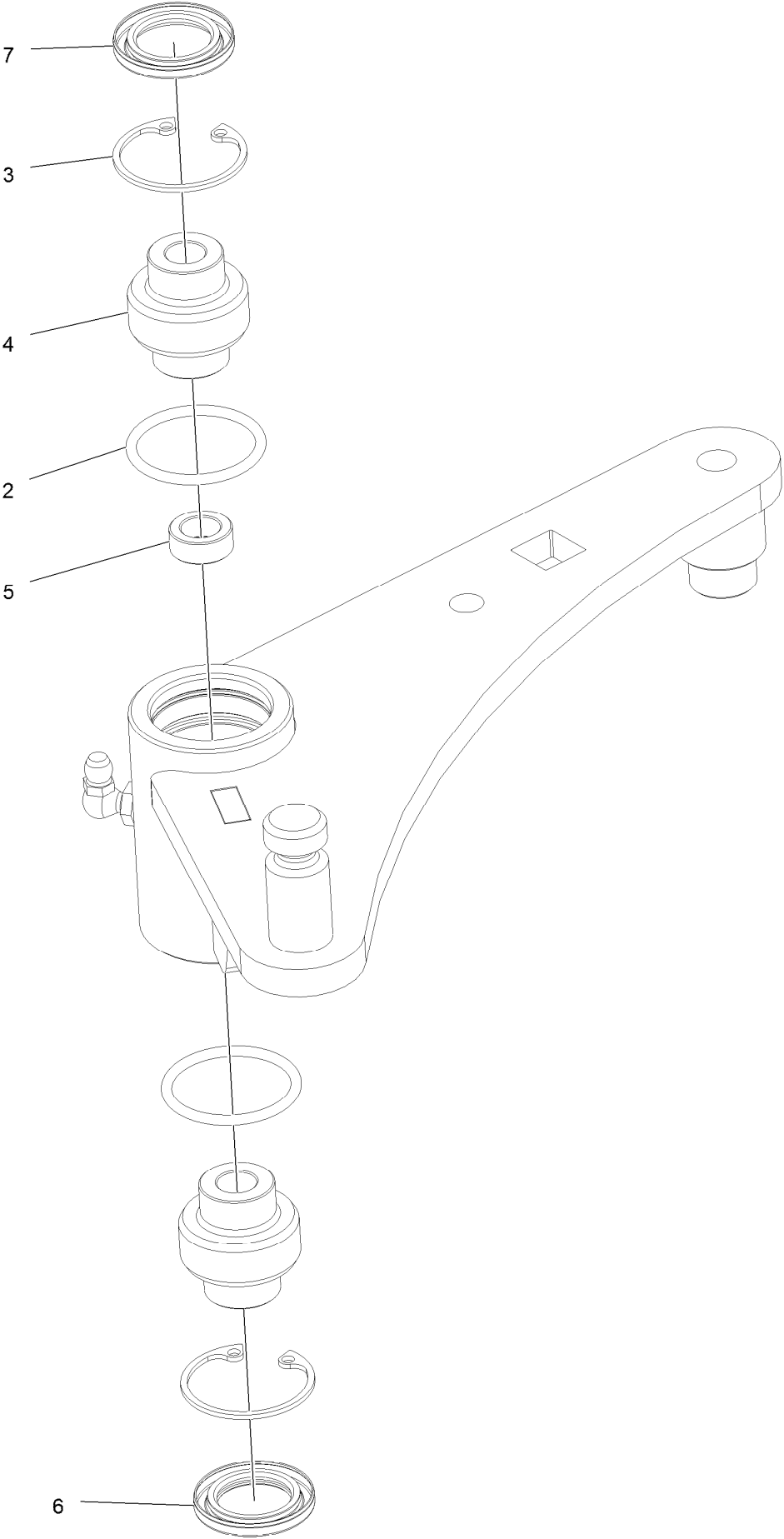
Discharge Deflector Assembly



Discharge Deflector Assembly (continued)

<i>Ref.</i>	<i>Part Number</i>	<i>Qty.</i>	<i>Description</i>	<i>Ref.</i>	<i>Part Number</i>	<i>Qty.</i>	<i>Description</i>
1	135-2157	1	Deflector-Rubber	5	135-2156-03	1	Strap-Bottom Deflector
2	135-2155-01	1	Bracket-Top Deflector	6	3231-4	4	Bolt-Carriage 3/8-16 X 1 1/2
3	135-2158-01	1	Bracket-Deflector	7	109-6658	4	Nut-Nyloc 3/8-16 Flg
4	135-2159-01	1	Bracket-Deflector				

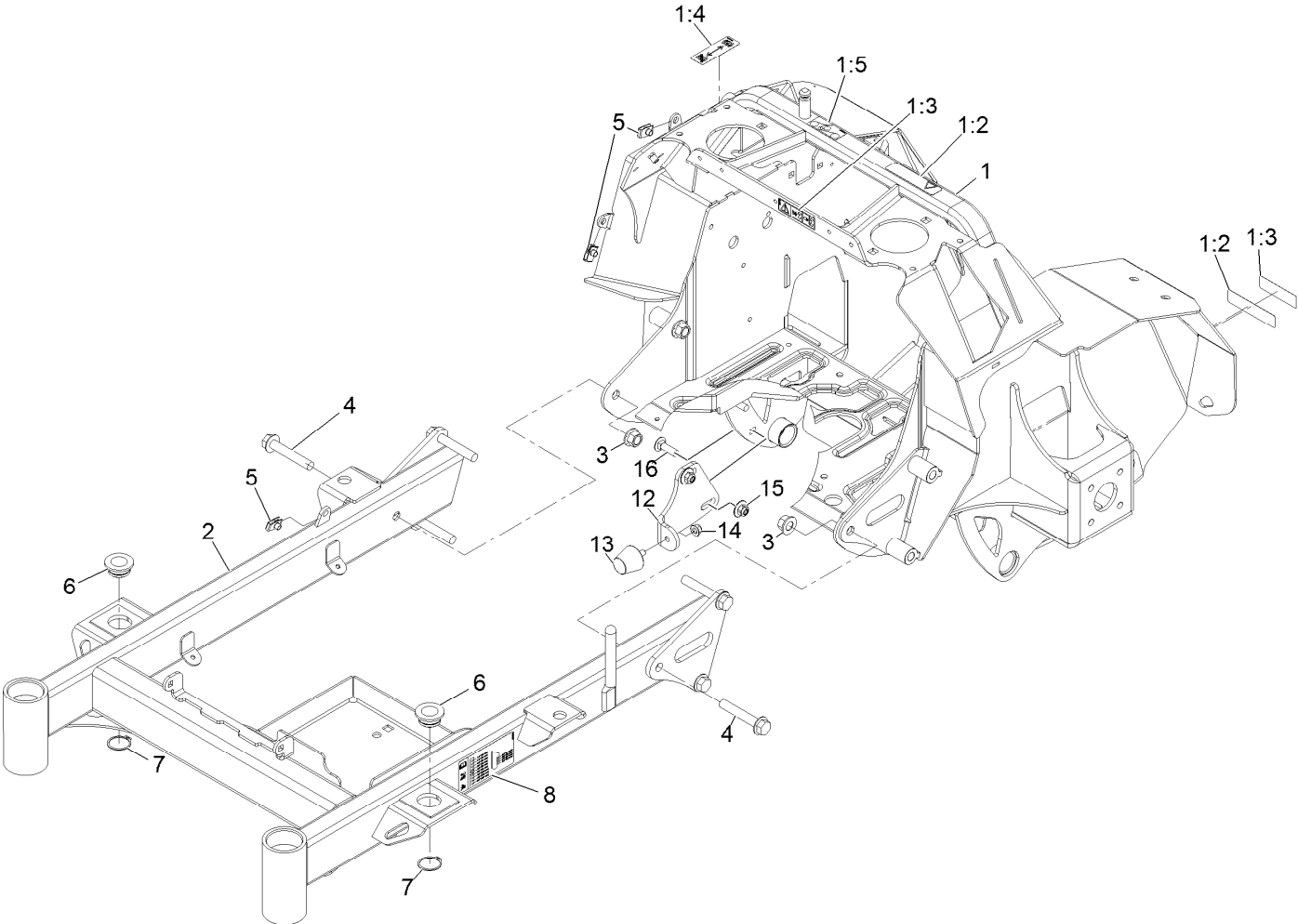
Idler Assembly



Idler Assembly (continued)

<i>Ref.</i>	<i>Part Number</i>	<i>Qty.</i>	<i>Description</i>	<i>Ref.</i>	<i>Part Number</i>	<i>Qty.</i>	<i>Description</i>
2	106-7159	2	O-Ring	5	103-5677	1	Spacer
3	32120-10	2	Ring-Snap	6	103-3505	1	Seal-Lip, Double
4	103-3504	2	Bearing-Spherical	7	103-3506	1	Seal-Lip, Single

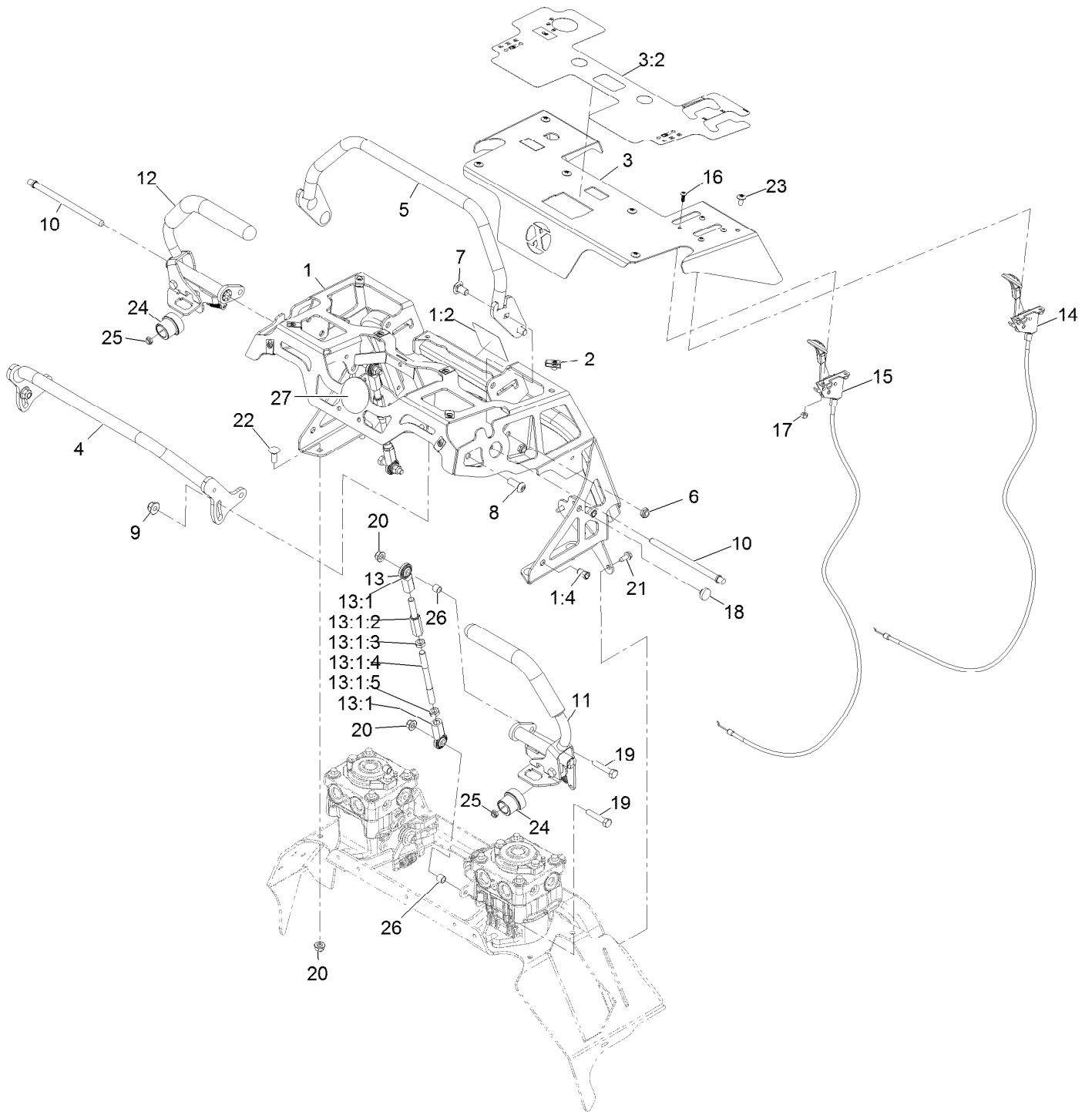
Main Frame Assembly



Main Frame Assembly (continued)

<i>Ref.</i>	<i>Part Number</i>	<i>Qty.</i>	<i>Description</i>	<i>Ref.</i>	<i>Part Number</i>	<i>Qty.</i>	<i>Description</i>
1	135-2575	1	ASM-Frame	6	1-513336	2	Bushing-Deck
1:2	98-1977	2	Decal-Warning	7	32120-33	2	Ring-Retaining
1:3	116-8559	2	Decal, Cover Missing	8	135-2562	1	Decal-Height Of Cut Sm
1:4	115-9625	1	Decal-Brake, Parking	12	135-3891-03	1	Bracket-Bumper
1:5	135-2267	1	Decal-Belt Routing HYD	13	1-543963	1	Bumper-Rubber
2	135-1612-01	1	ASM-Frt Frame 32/36 [red]	14	104-8300	1	Nut-Nyloc 5/16-18 Flg
3	99-5107	6	Nut-Lock 1/2-13	15	109-6658	2	Nut-Nyloc 3/8-16 Flg
4	3234-40	6	Screw-HF	16	3231-25	2	Bolt-Carriage 3/8-16 X 1 1/4
5	107069	3	Nut-Retainer-Panel 1/4-20				

Controls Assembly

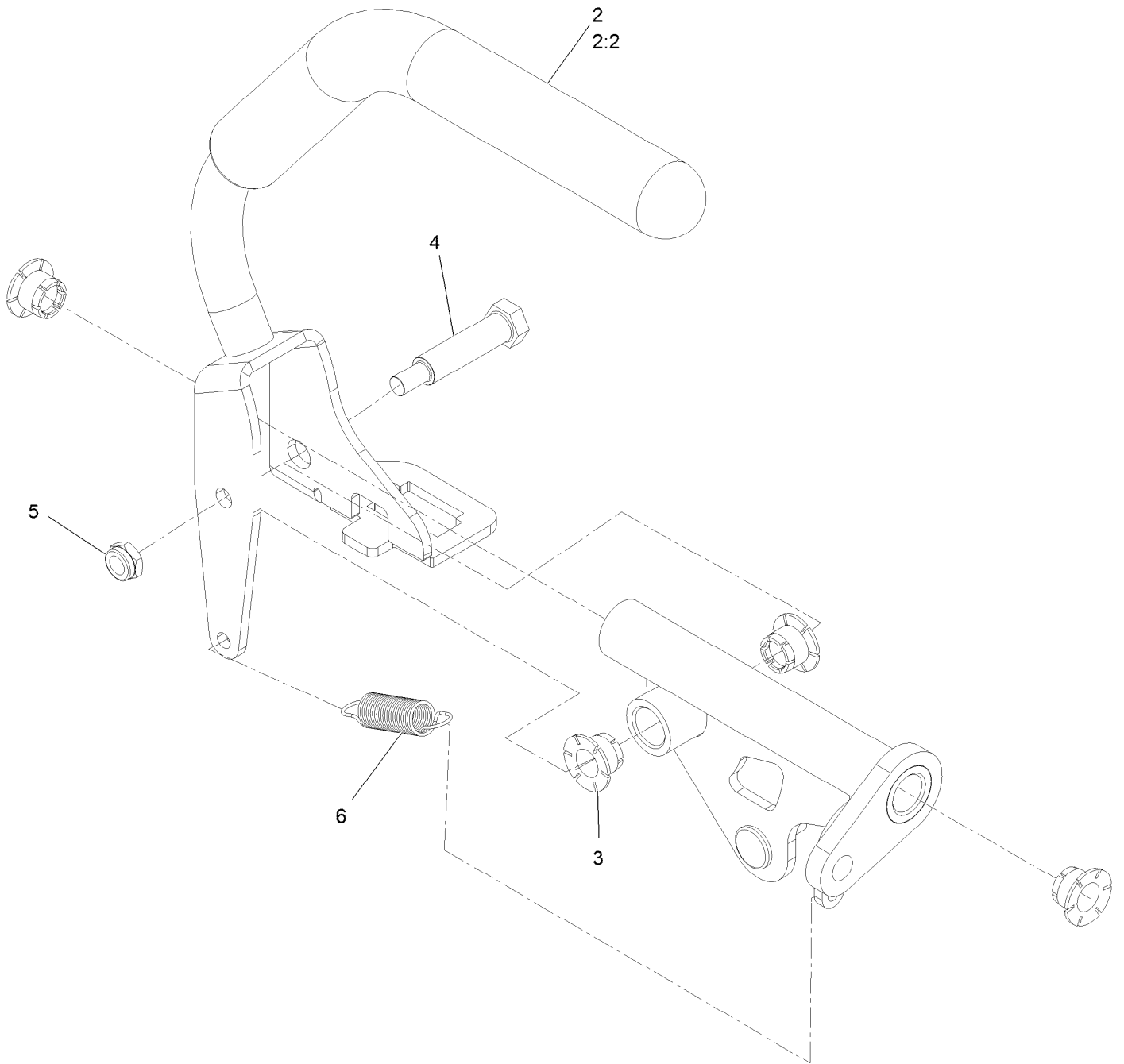


Controls Assembly (continued)

<i>Ref.</i>	<i>Part Number</i>	<i>Qty.</i>	<i>Description</i>	<i>Ref.</i>	<i>Part Number</i>	<i>Qty.</i>	<i>Description</i>
1	135-3683	1	ASM-Ctrl Tower	13:1		1	ASM, Motion Control Link ●
1:2	115-4212	1	Decal-Warning	13:1:2	116-4755	1	Rod-Adjustment
1:4	138-2758	2	Nut-Clinch,Hex	13:1:3	3220-16	1	Nut-Jam 3/8-24 LH
2	107069	8	Nut-Retainer-Panel 1/4-20	13:1:4	135-1291	1	Link, Motion Control
3	135-2579	1	ASM, Control Panel W/ Decals	13:1:5	3220-3	1	Nut-Jam 3/8-24
3:2	135-6773	1	Decal-Control Panel Non-EFI	14	135-2168	1	Control, Choke
4	135-3432-03	1	Weld, Front Ref Bar	15	135-2169	1	Control, Throttle
5	135-3430-03	1	Weld, Rear Ref Bar	16	135-3176	4	Screw, BHCS
6	3296-59	4	Nut-Nyloc 3/8-16 Thin	17	3296-2	4	Nut-Nyloc #10-24
7	3231-21	4	Bolt-Carriage 3/8-16 X 3/4	18	1-513658	2	Bumper
8	3274-94	2	Screw-Button Head 3/8-16 X 1	19	322-8	4	Screw-HH
9	104-8301	2	Nut-Nyloc 3/8-16 Flg	20	104-8300	8	Nut-Nyloc 5/16-18 Flg
10	135-1277	2	Pin, Pivot	21	32144-10	4	Screw-HWH 1/4-20 X .62
11	135-1304	1	ASM, Motion Control, Lt	22	3230-16	4	Bolt-Carriage 5/16-18 X 7/8
12	135-1305	1	ASM, Motion Control, Rt	23	126-8216	6	Screw-Torx
13	135-7116	2	ASM, Linkage	24	126-1499	2	Cam
				25	3296-56	2	Nut-Nyloc 1/4-20 Thin
				26	1-633545	4	Spacer
				27	135-2281	1	Decal-Cover

● Not serviced separately

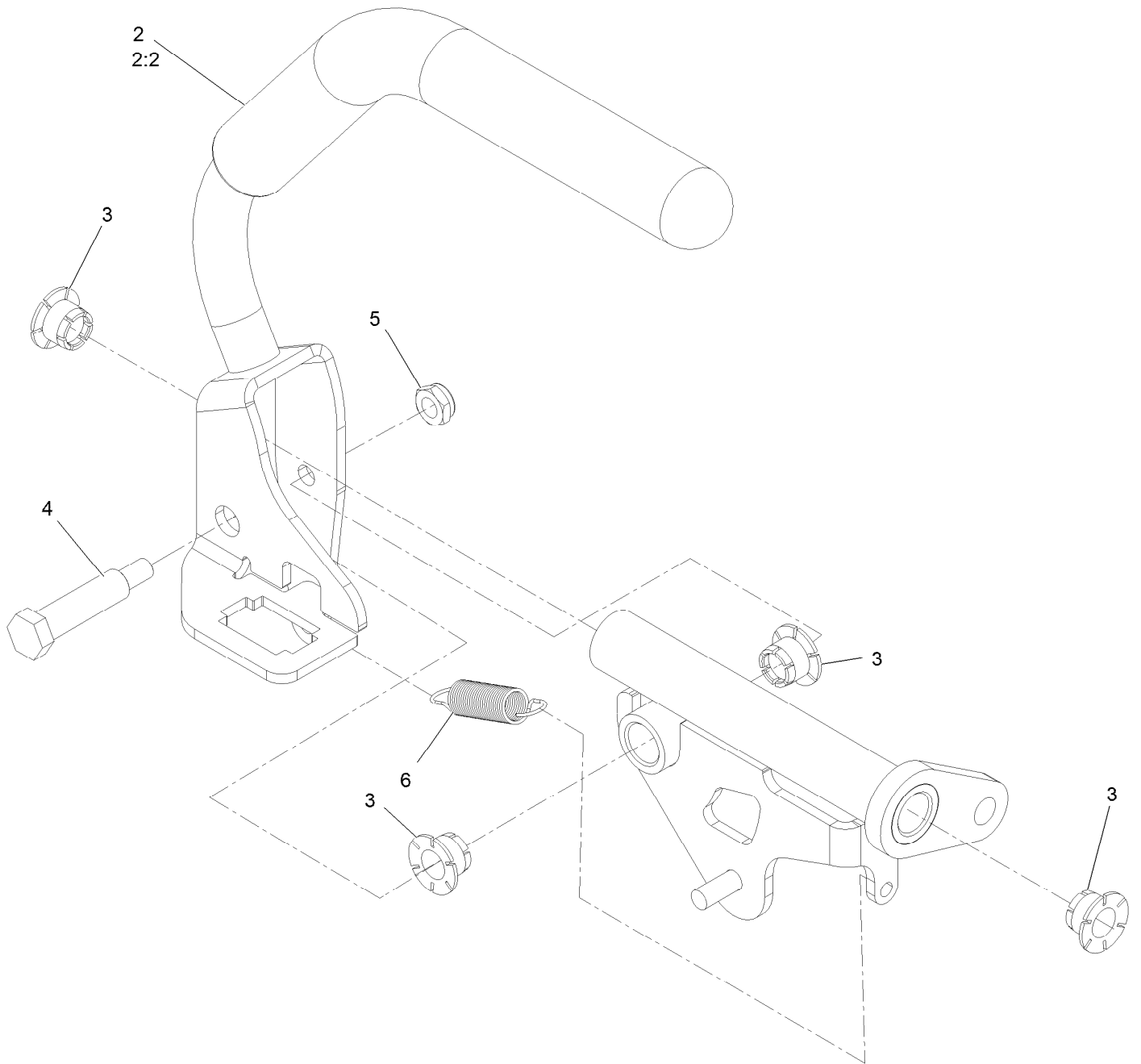
Left Motion Control Assembly



Left Motion Control Assembly (continued)

<i>Ref.</i>	<i>Part Number</i>	<i>Qty.</i>	<i>Description</i>	<i>Ref.</i>	<i>Part Number</i>	<i>Qty.</i>	<i>Description</i>
2	135-2546	1	ASM, Lt Control Lever W/ Grip	4	121-1229	1	Bolt-Shoulder
2:2	135-3301	1	Grip, Drive Lever	5	3296-56	1	Nut-Lock, NI
3	135-6412	4	Bearing, Igus	6	114-0249	1	Spring-Extension

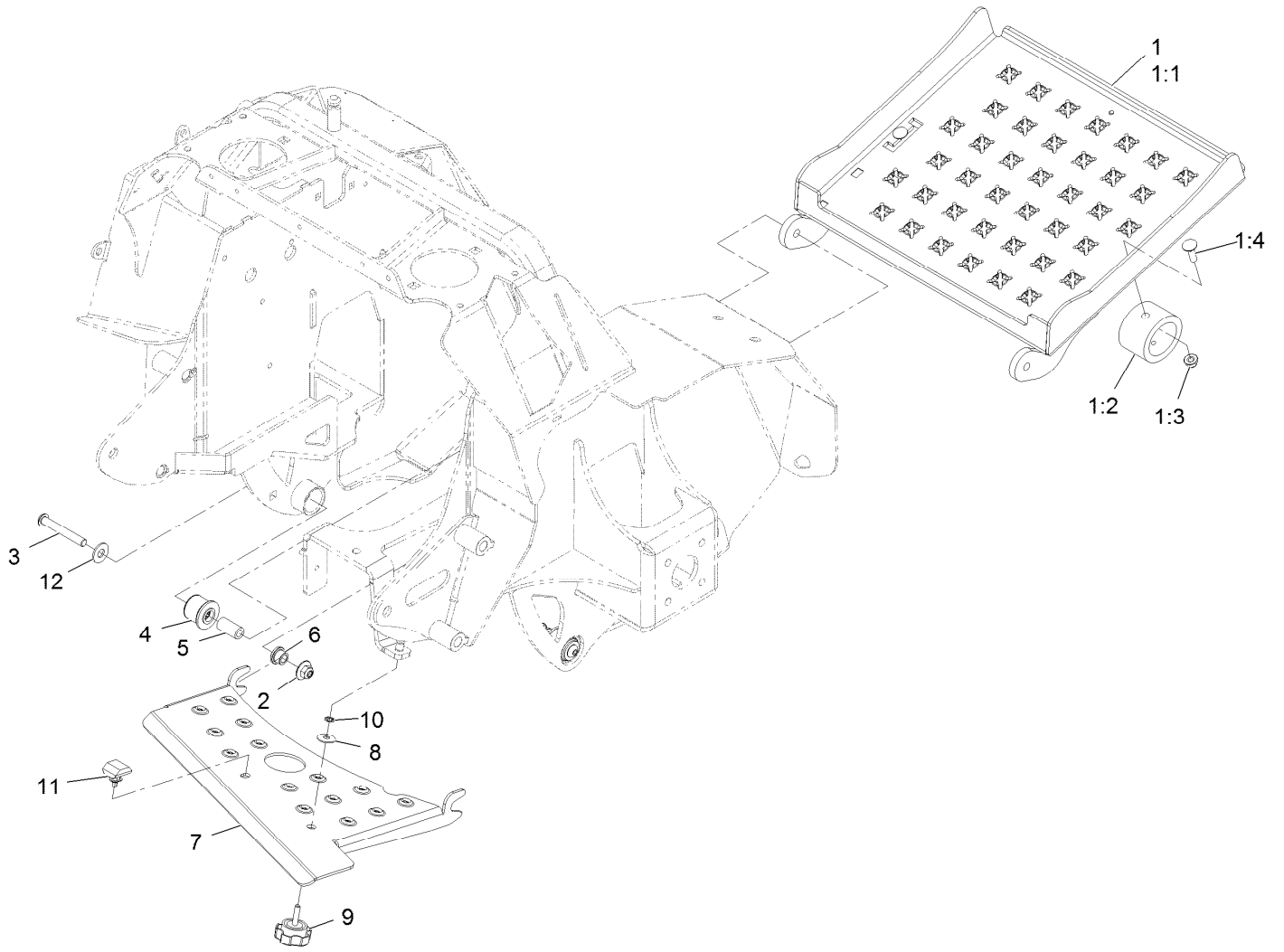
Right Motion Control Assembly



Right Motion Control Assembly (continued)

<i>Ref.</i>	<i>Part Number</i>	<i>Qty.</i>	<i>Description</i>	<i>Ref.</i>	<i>Part Number</i>	<i>Qty.</i>	<i>Description</i>
2	135-2547	1	ASM, Rt Control Lever W/ Grip	4	121-1229	1	Bolt-Shoulder
2:2	135-3301	1	Grip, Drive Lever	5	3296-56	1	Nut-Lock, NI
3	135-6412	4	Bearing, Igus	6	114-0249	1	Spring-Extension

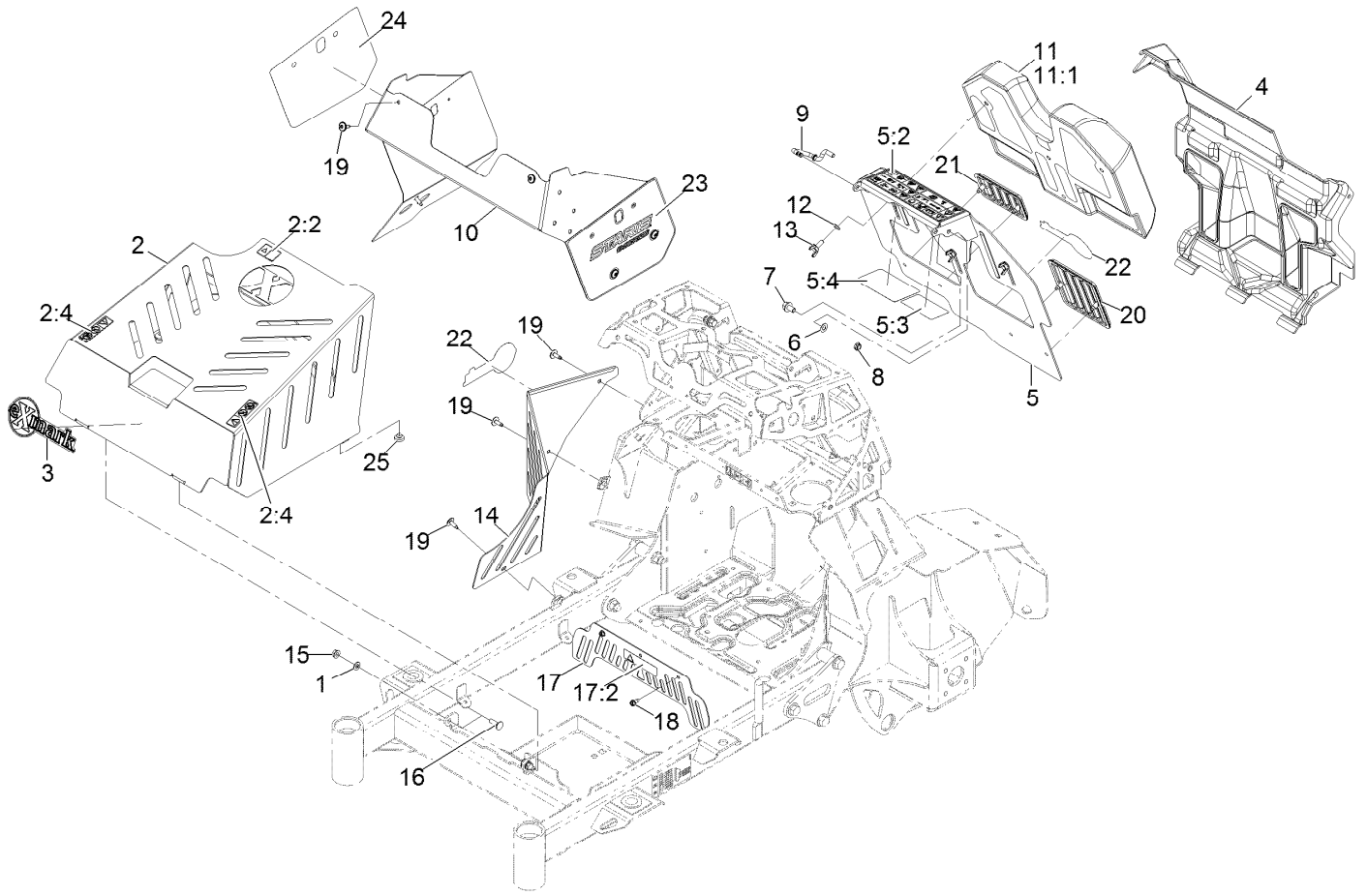
Platform Assembly



Platform Assembly (continued)

<i>Ref.</i>	<i>Part Number</i>	<i>Qty.</i>	<i>Description</i>	<i>Ref.</i>	<i>Part Number</i>	<i>Qty.</i>	<i>Description</i>
1	135-1603	1	Platform, ASM	5	108-6544	2	Spacer
1:1	135-1602-03	1	Wld, Platform	6	109-8788	2	Bushing-Flanged
1:2	135-2548	2	Bumper-Isolator	7	135-6592-03	1	Deflector-Air,36
1:3	104-8300	2	Nut-Nyloc 5/16-18 Flg	8	3290-456	1	Washer-Spring Disc
1:4	3230-2	2	Bolt-Carriage 5/16-18 X 1	9	135-7382	1	Knob
2	109-6658	2	Nut-Nyloc 3/8-16 Flg	10	1-803037	1	Nut-Retaining
3	135-7158	2	Screw-HSBH	11	126-9966	1	Bumper-ROPS
4	126-8360	2	Bushing-Rubber, Suspension	12	3256-4	2	Washer-Flat

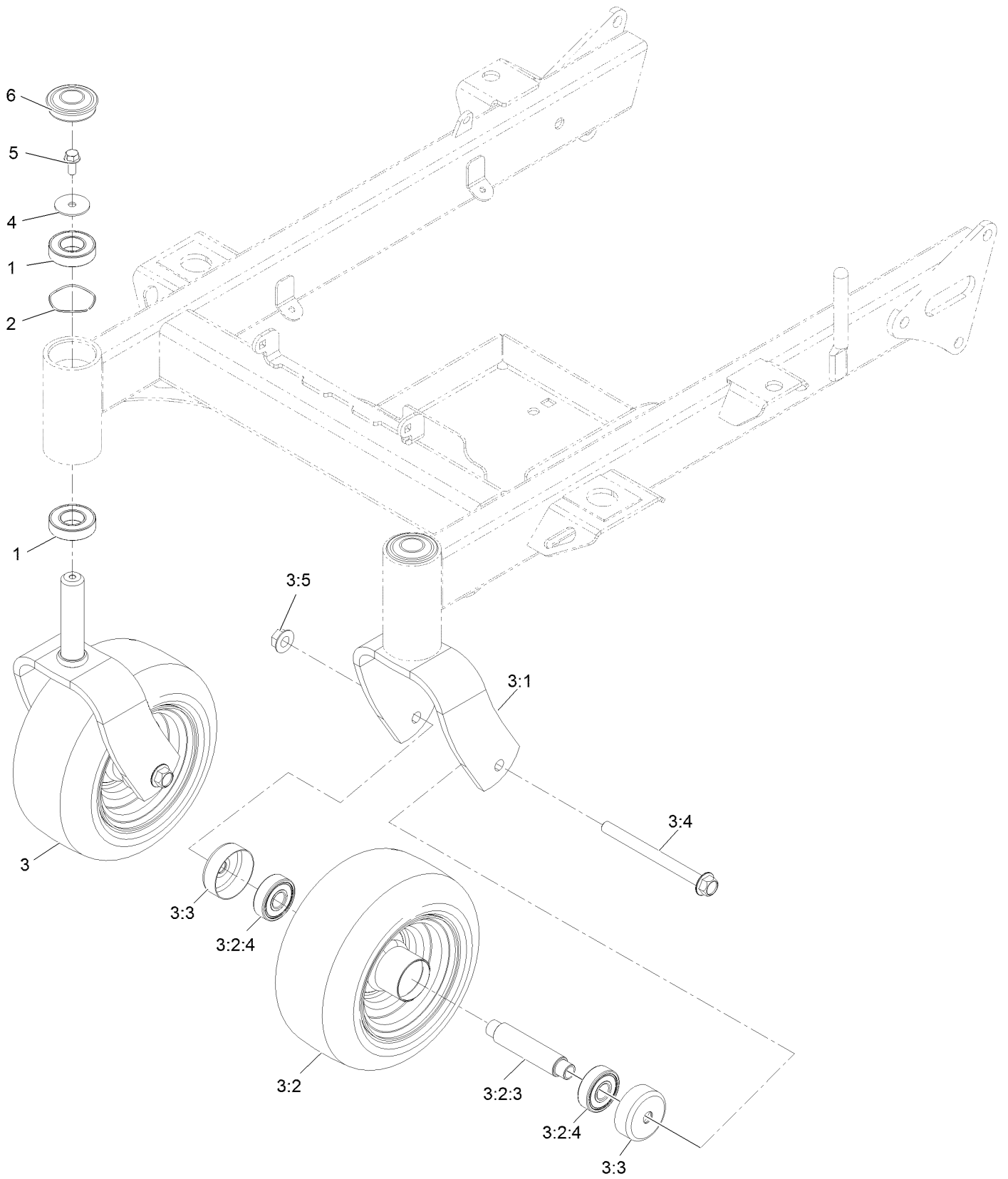
Guarding Assembly



Guarding Assembly (continued)

<i>Ref.</i>	<i>Part Number</i>	<i>Qty.</i>	<i>Description</i>	<i>Ref.</i>	<i>Part Number</i>	<i>Qty.</i>	<i>Description</i>
1	93-6079	2	Spacer-Nylon	11:1	135-6557	1	Cover, Pad
2	135-2190	1	ASM-Cover W Decals	12	3290-475	3	Washer-Belleville
2:2	106-5517	1	Decal-Warning	13	135-2180	3	Screw, Thumb
2:4	136-1672	2	Decal-No Step/Riders	14	135-2413-03	1	Cover-RH Side
3	126-6877	1	Decal, Exmark Logo	15	32128-25	2	Nut-Hex 5/16-18 Side Lock
4	135-4708	1	Cover-Rear	16	3230-2	2	Bolt-Carriage 5/16-18 X 1
5	135-2601	1	ASM, Pad Backing W/ Decals	17	135-2204	1	ASM, Belt Guard W/ Decal
5:2	135-2412	1	Decal-Warning	17:2	98-1977	1	Decal-Warning
5:3	116-8253	1	Decal-Drive Release	18	32104-17	2	Screw-HWH 1/4-20 X 1/2 Tap
5:4	135-2563	1	Decal-Service Aid Sm	19	135-3494	9	Screw, Torx
6	131-8667	2	Washer-Thrust	20	135-5344	1	Pad, Knee, Lt
7	3234-9	2	Screw-HHF	21	135-5345	1	Pad, Knee, Rt
8	3296-59	2	Nut-Nyloc 3/8-16 Thin	22	126-6575	2	Decal-Exmark Logo
9	135-1611	1	Rod, Prop	23	135-6807	1	Decal-Staris Logo Lt
10	135-4830-03	1	Cover-Tower	24	135-6808	1	Decal-Staris Logo Rt
11	135-1972	1	Pad-Thigh	25	1-513658	2	Bumper

Caster Wheel Assembly

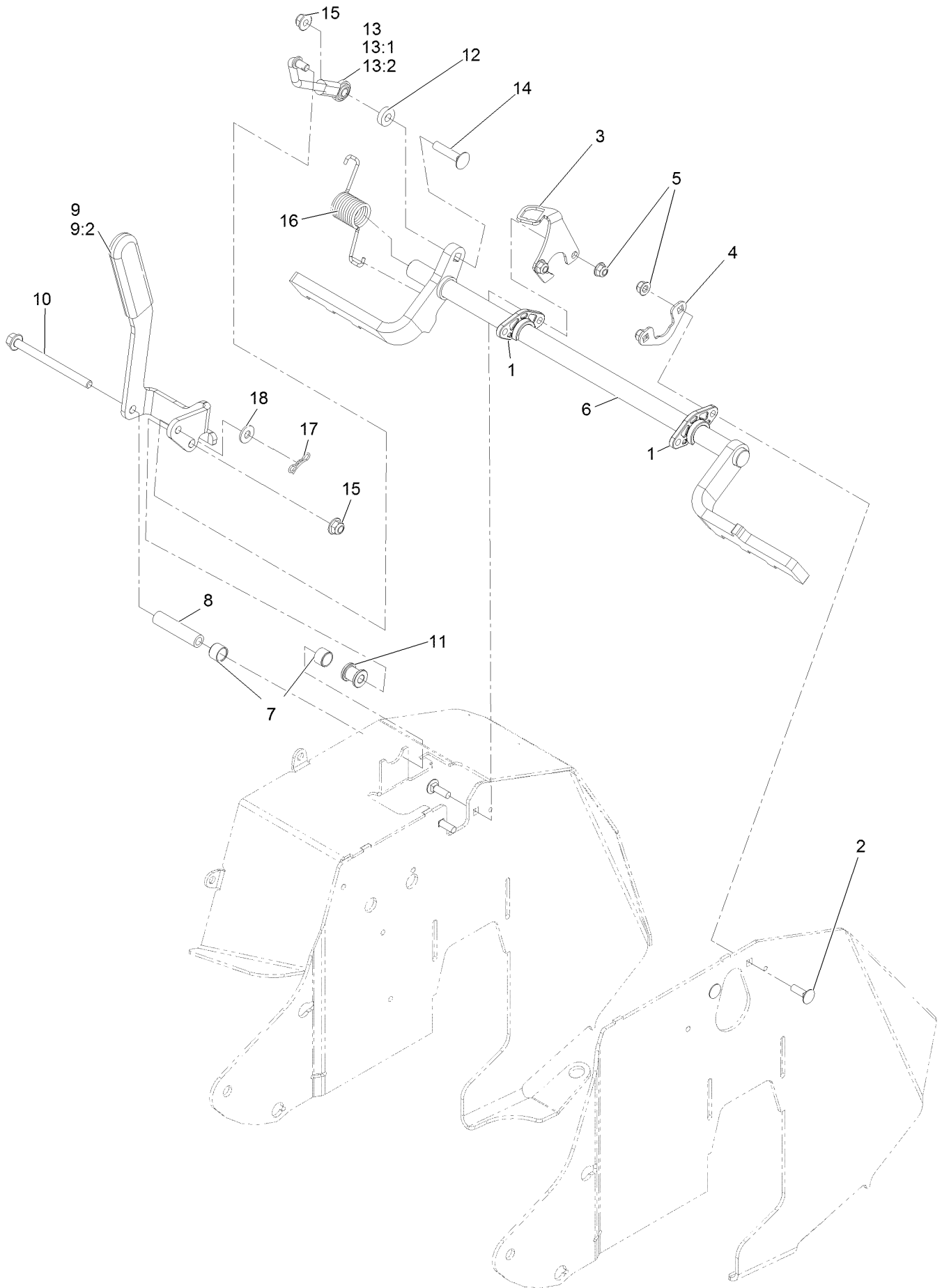


Caster Wheel Assembly (continued)

<i>Ref.</i>	<i>Part Number</i>	<i>Qty.</i>	<i>Description</i>	<i>Ref.</i>	<i>Part Number</i>	<i>Qty.</i>	<i>Description</i>
1	109-3678	4	Bearing-Ball	3:3	135-3218	2	Guard, Seal
2	126-5897	2	Spring	3:4	135-4633	1	Screw-HHF
3		2	ASM-Caster Fork W/Tire ●	3:5	32128-23	1	Nut-HF
3:1	135-1651-01	1	ASM-Caster Fork [red]	4	3256-68	2	Washer-Flat
3:2	135-4518	1	ASM-Tire&whl Sp 9X4.50-5	5	3234-5	2	Screw-HHF
3:2:3	126-7904	1	Axle-Caster	6	116-4348	2	Cap-Grease
3:2:4	116-4004	2	Bearing				

● Not serviced separately

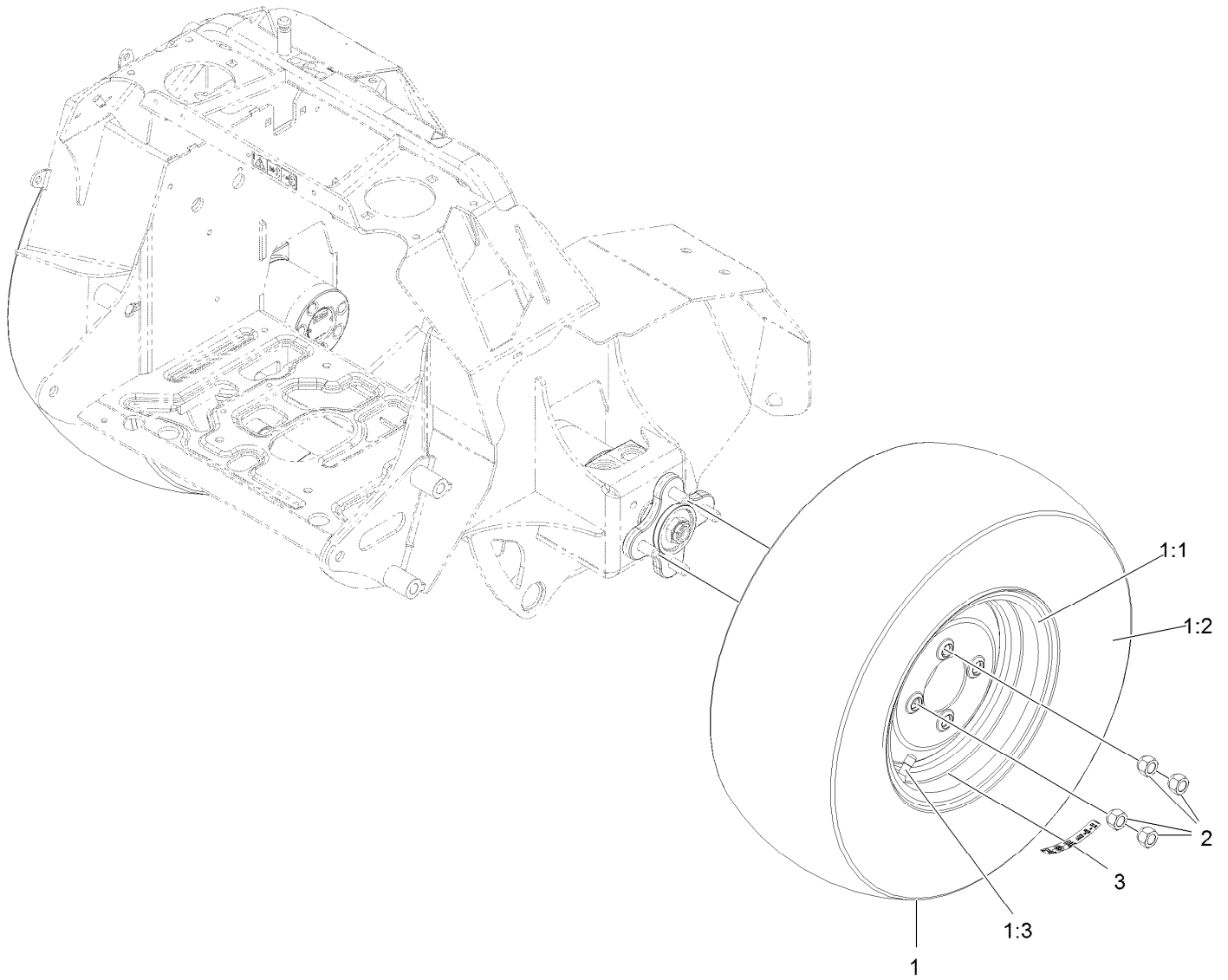
Park Brake Assembly



Park Brake Assembly (continued)

<i>Ref.</i>	<i>Part Number</i>	<i>Qty.</i>	<i>Description</i>	<i>Ref.</i>	<i>Part Number</i>	<i>Qty.</i>	<i>Description</i>
1	115-5065	2	Bushing-Flange	11	135-6040	1	Spacer-.39ldx.88Odx.88L
2	3230-2	4	Bolt-Carriage 5/16-18 X 1	12	5-0652	1	Spacer
3	135-5924	1	Bracket-Switch	13	135-4576	1	ASM-Brake Link
4	135-5132	1	Support, Bearing	13:1	103-0608	1	Balljoint
5	104-8300	4	Nut-Nyloc 5/16-18 Flg	13:2	135-1974	1	Rod-Brake
6	135-1950-03	1	Wld-Brake Shaft 32/36	14	3231-5	1	Bolt-Carriage 3/8-16 X 1 3/4
7	1-413347	2	Sleeve-Bushing	15	104-8301	2	Nut-Nyloc 3/8-16 Flg
8	135-4706	1	Bushing-Pivot	16	108-4052	1	Spring-Torsion
9	135-1949	1	ASM-Brake Lever With Grip	17	119-1415	1	Pin-Cotter, Locking
9:2	1-633268	1	Grip-Lever	18	3256-3	1	Washer-5/16 Std
10	131-8571	1	Screw-HF				

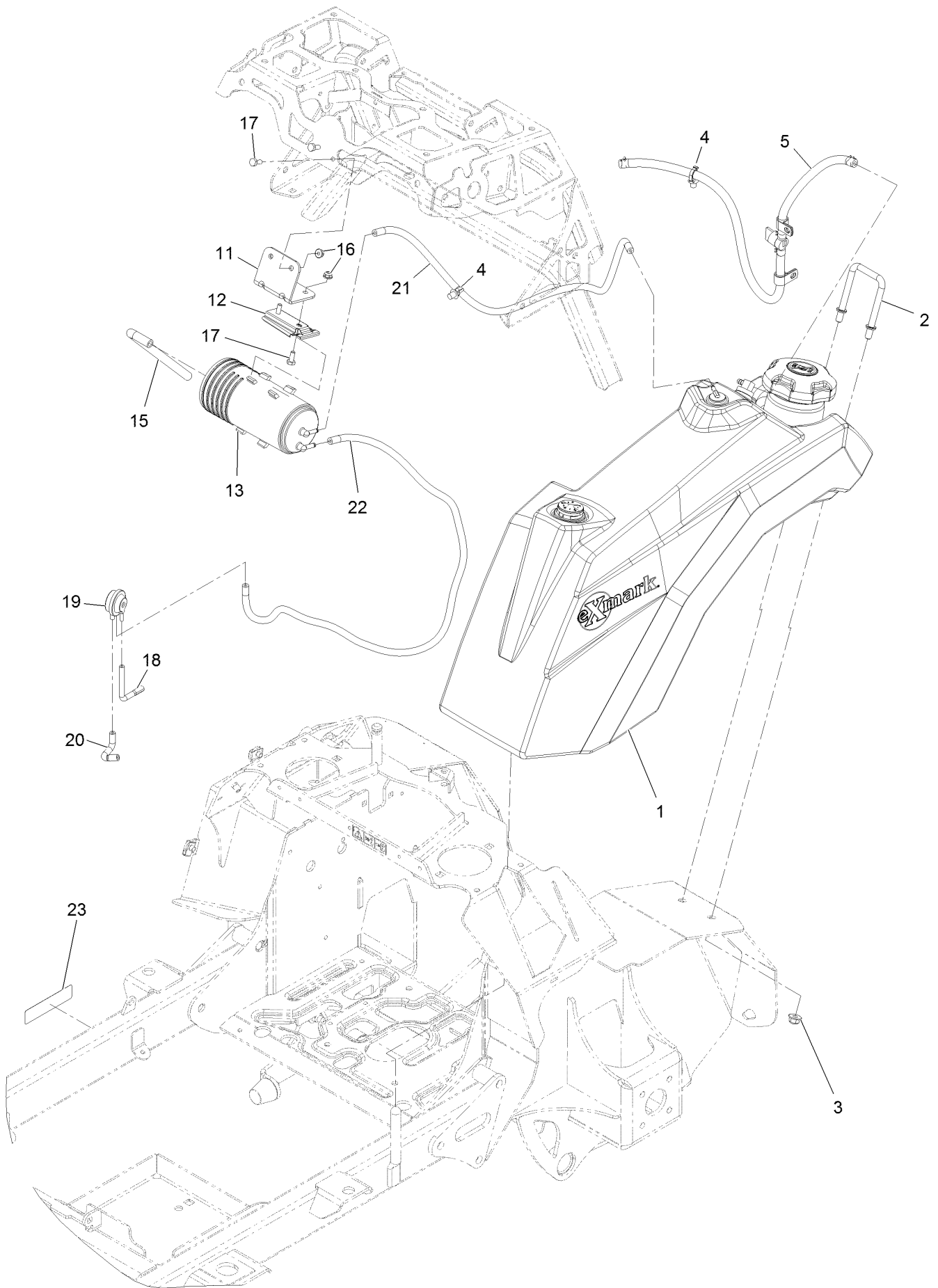
Tire and Wheel Assembly



Tire and Wheel Assembly (continued)

<i>Ref.</i>	<i>Part Number</i>	<i>Qty.</i>	<i>Description</i>	<i>Ref.</i>	<i>Part Number</i>	<i>Qty.</i>	<i>Description</i>
1	135-7244	2	ASM-Whl Tire [+1.45 Os]	2	242-50	8	Nut-Lug
1:1	135-7245	1	Wheel 10 X 6 Wht	3	126-2056	2	Decal-Torque Wheel Lug-Hub
1:2	135-1626	1	Tire-21X8.5-10				
1:3	232-27	1	Stem-Valve				

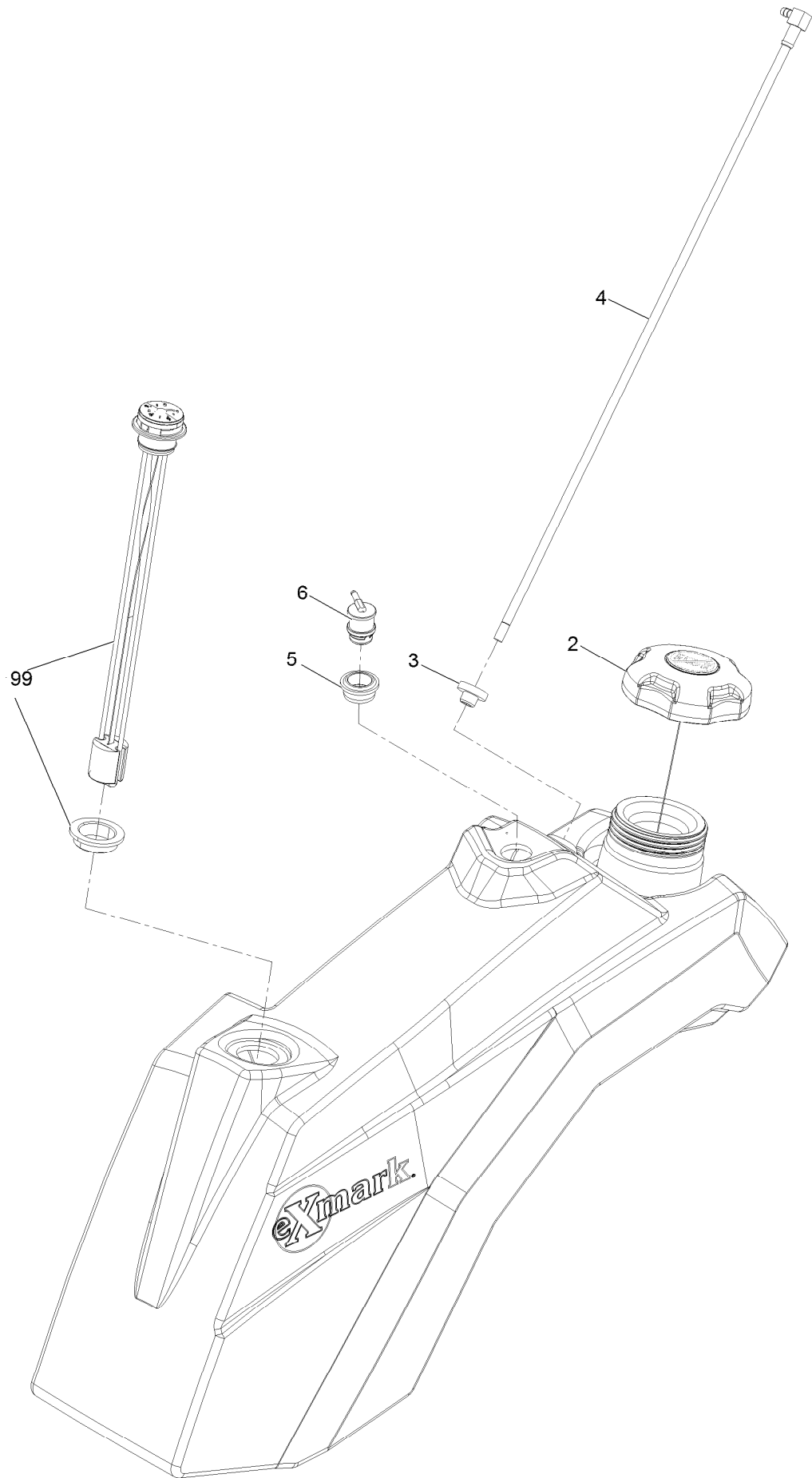
Fuel Assembly



Fuel Assembly (continued)

<i>Ref.</i>	<i>Part Number</i>	<i>Qty.</i>	<i>Description</i>	<i>Ref.</i>	<i>Part Number</i>	<i>Qty.</i>	<i>Description</i>
1	135-1919	1	Assembly, Fuel Tank	16	104-7201	4	Nut-Nyloc 1/4-20 Flg
2	135-1921	1	Clamp, Tank	17	321-3	4	Screw-HH 1/4-20 X 5/8
3	104-8301	2	Nut-Nyloc 3/8-16 Flg	18	119-8501	1	Hose-Vent, Formed
4	32180-030	2	Clip-Tie	19	116-2232	1	Valve-Control, Vacuum
5	135-6842	1	ASM-Fuel Line & Valve	20	119-8502	1	Hose-Vent, Formed
11	135-4495-03	1	Bracket-Carbon Canister	21	119-6074	1	Hose-Fuel
12	114-0292	1	Bracket-Canister, Carbon	22	132-6854	1	Hose-Fuel
13	117-1221	1	Canister-Carbon, 800Cc	23	133-8062	1	Decal-Arrestor, Spark
15	115-0962	1	Hose-Vent, Canister				

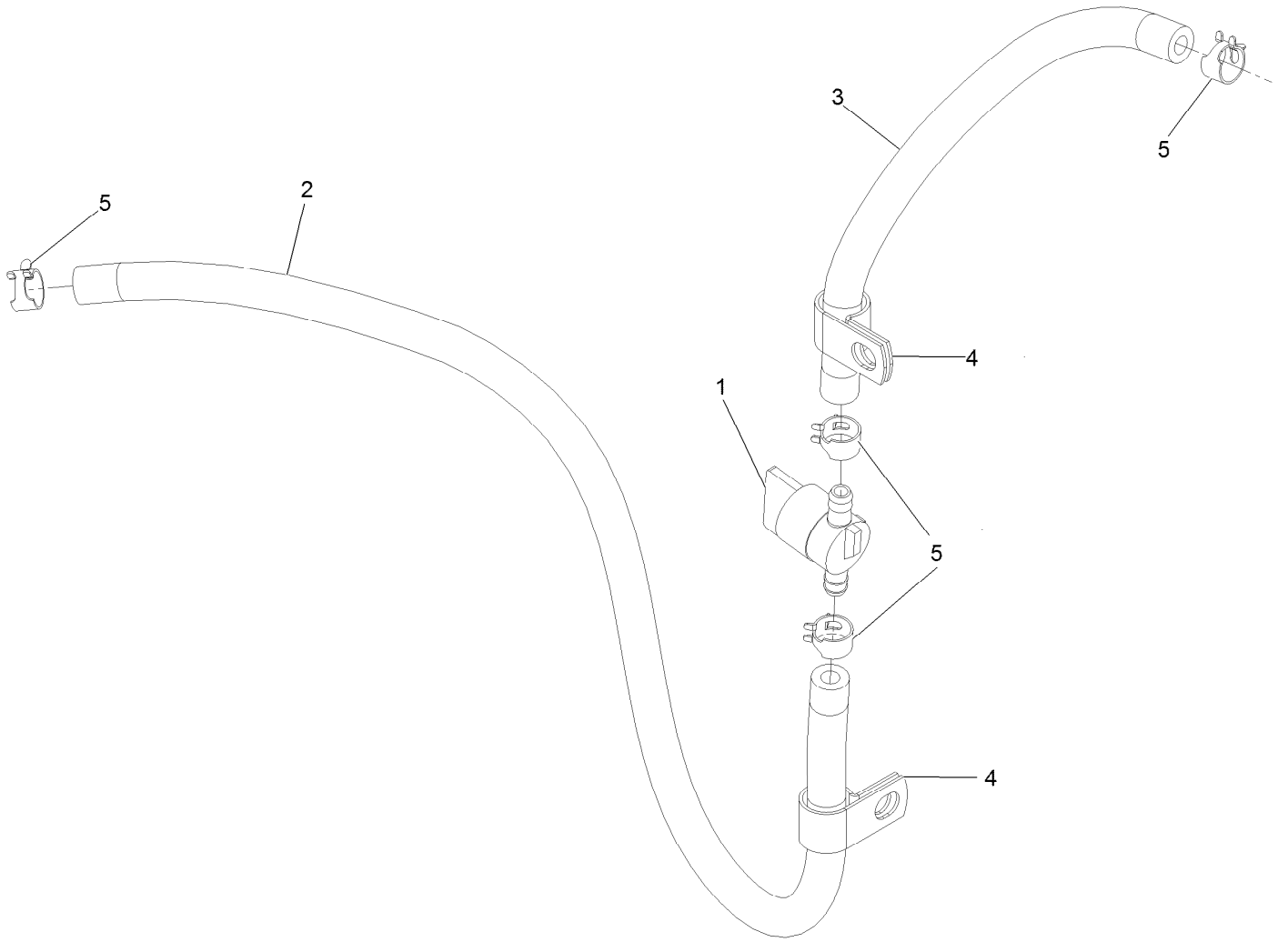
Fuel Tank Assembly-cont.



Fuel Tank Assembly-cont. (continued)

<i>Ref.</i>	<i>Part Number</i>	<i>Qty.</i>	<i>Description</i>	<i>Ref.</i>	<i>Part Number</i>	<i>Qty.</i>	<i>Description</i>
2	137-4119	1	Cap-Fuel, Ratcheting	6	119-3547	1	Valve-Vent, Fuel
3	46-6560	1	Bushing	99	135-3694	1	Kit-Fuel Gauge Replacement
4	135-1917	1	Straw, Fuel, Long				
5	114-0284	1	Grommet				

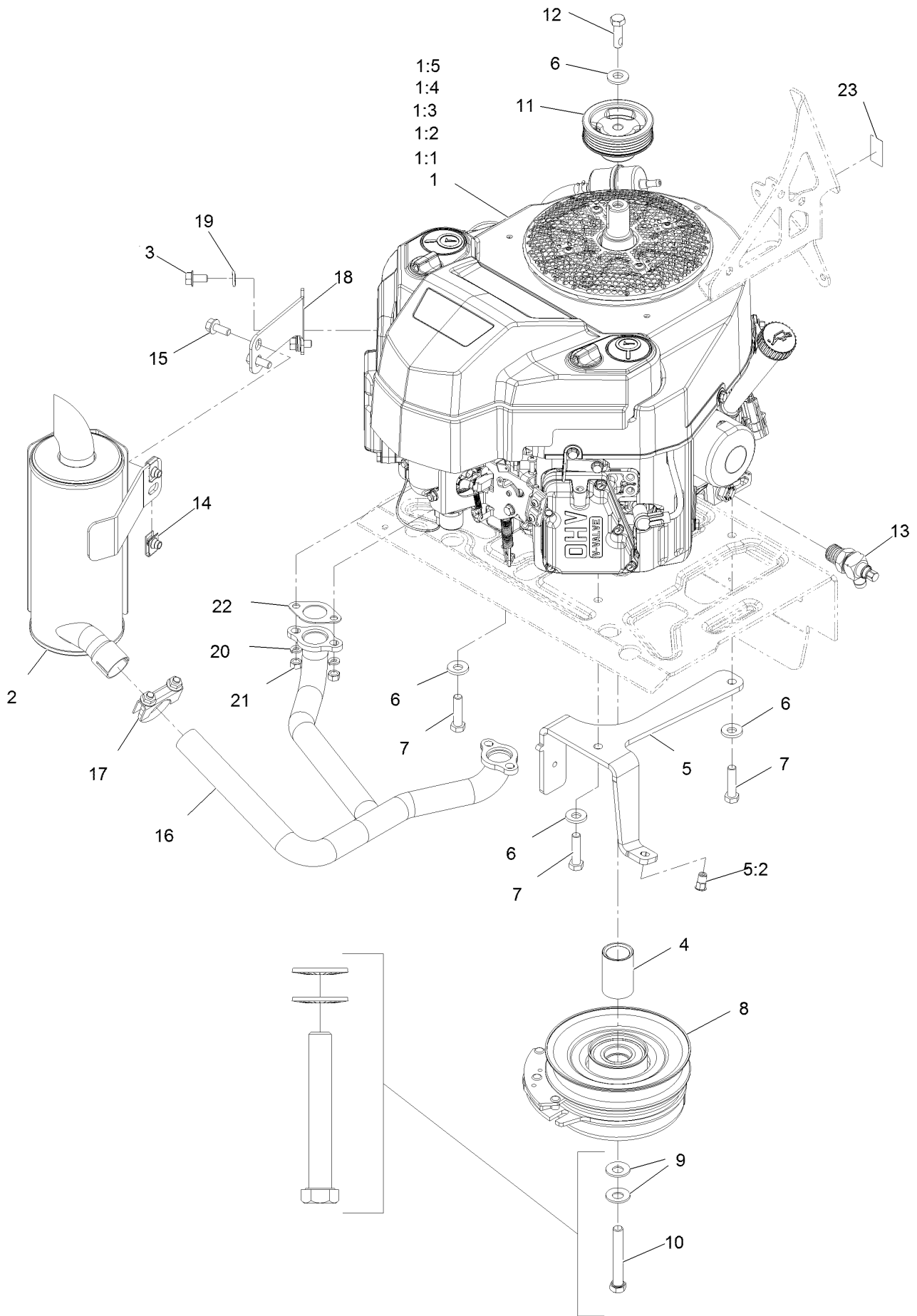
Fuel Line and Valve Assembly



Fuel Line and Valve Assembly (continued)

<i>Ref.</i>	<i>Part Number</i>	<i>Qty.</i>	<i>Description</i>	<i>Ref.</i>	<i>Part Number</i>	<i>Qty.</i>	<i>Description</i>
1	1-603770	1	Valve-Fuel	4	92-6064	2	Clamp-R
2	109-0301	1	Hose-Fuel	5	2412-98	4	Clamp-Hose
3	109-0293	1	Hose-Fuel Line 8 1/2"				

Engine Assembly



Engine Assembly (continued)

<i>Ref.</i>	<i>Part Number</i>	<i>Qty.</i>	<i>Description</i>	<i>Ref.</i>	<i>Part Number</i>	<i>Qty.</i>	<i>Description</i>
1		1	Engine-Kawasaki Fs600 ■▲	7	323-8	4	Screw-HH 3/8-16 X 1 1/2
1:1		1	Kawasaki 49065-7007 Engine Oil Filter ■▲	8	135-2498	1	Clutch 105
1:2		1	Kawasaki 49019-0031 Fuel Filter ■▲	9	1-603610	2	Washer-Spring Disc 7/16
1:3		1	Kawasaki 92070-7004 Plug-Spark Bpr4ES ■▲	10	126-7198	1	Screw-HH 7/16-20 X 3 W/Loctite ◆
1:4		1	Kawasaki 11013-7046 Foam Pre-Filter ■▲	11	135-1198	1	Pulley, Crank
1:5		1	Kawasaki 11013-0752 Air Filter ■▲	12	135-7890	1	Screw-HH, Patch,
2	135-5025	1	Muffler-Vertical Ka	13	135-2660	1	Drain-Oil Valve ●
3	33104-016	2	Screw-HHF	14	94-2413	2	Nut-U
4	135-5028	1	Spacer-Clutch	15	3234-5	2	Screw-HH Flg 5/16-18 X 3/4
5	135-6711	1	ASM-Clutch Anchor W/Insert	16	135-5026	1	Manifold-Vertical Ka Exh
5:2	138-2758	1	Nut-Clinch,Hex	17	104-4090	1	Clamp-Muffler
6	98-5975	5	Washer-Spring Disc 3/8	18	135-3828-03	1	Bracket-Muffler Vertical
				19	3253-21	2	Washer-Lock 3/8
				20	114-3550	4	Washer-Spring Lock M8
				21	114-3549	4	Nut-M8
				22	1-653313	2	Gasket-Exhaust
				23	135-6844	1	Decal-10W-50 Oil

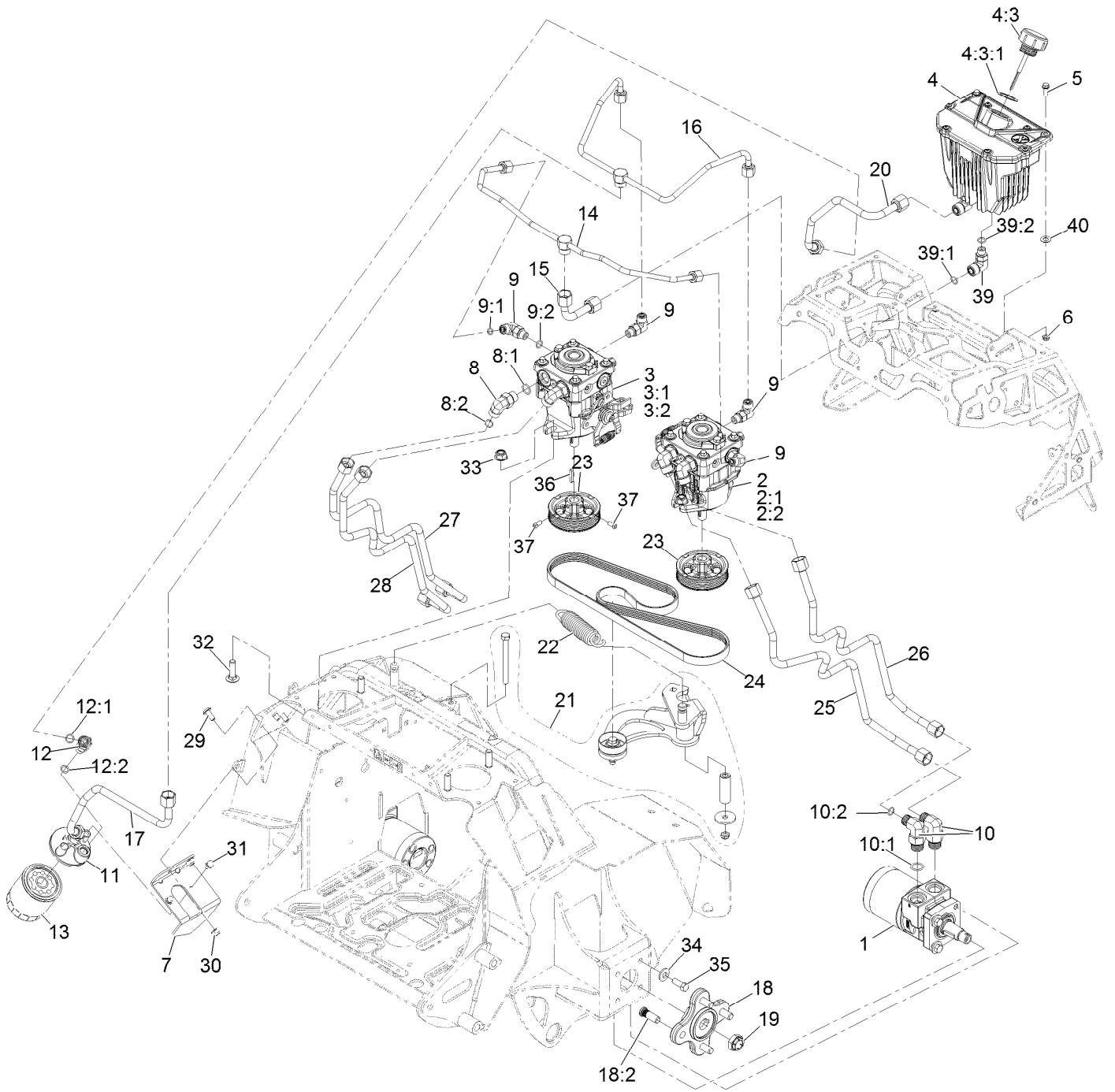
● Torque to 23-29 ft-lb

▲ Obtain parts from www.kawpowerepc.com

◆ Use Pro-Lock, Nut Type (P/N 1-840022, .5ml tube) on threads.

■ Not serviced separately

Hydraulic Assembly

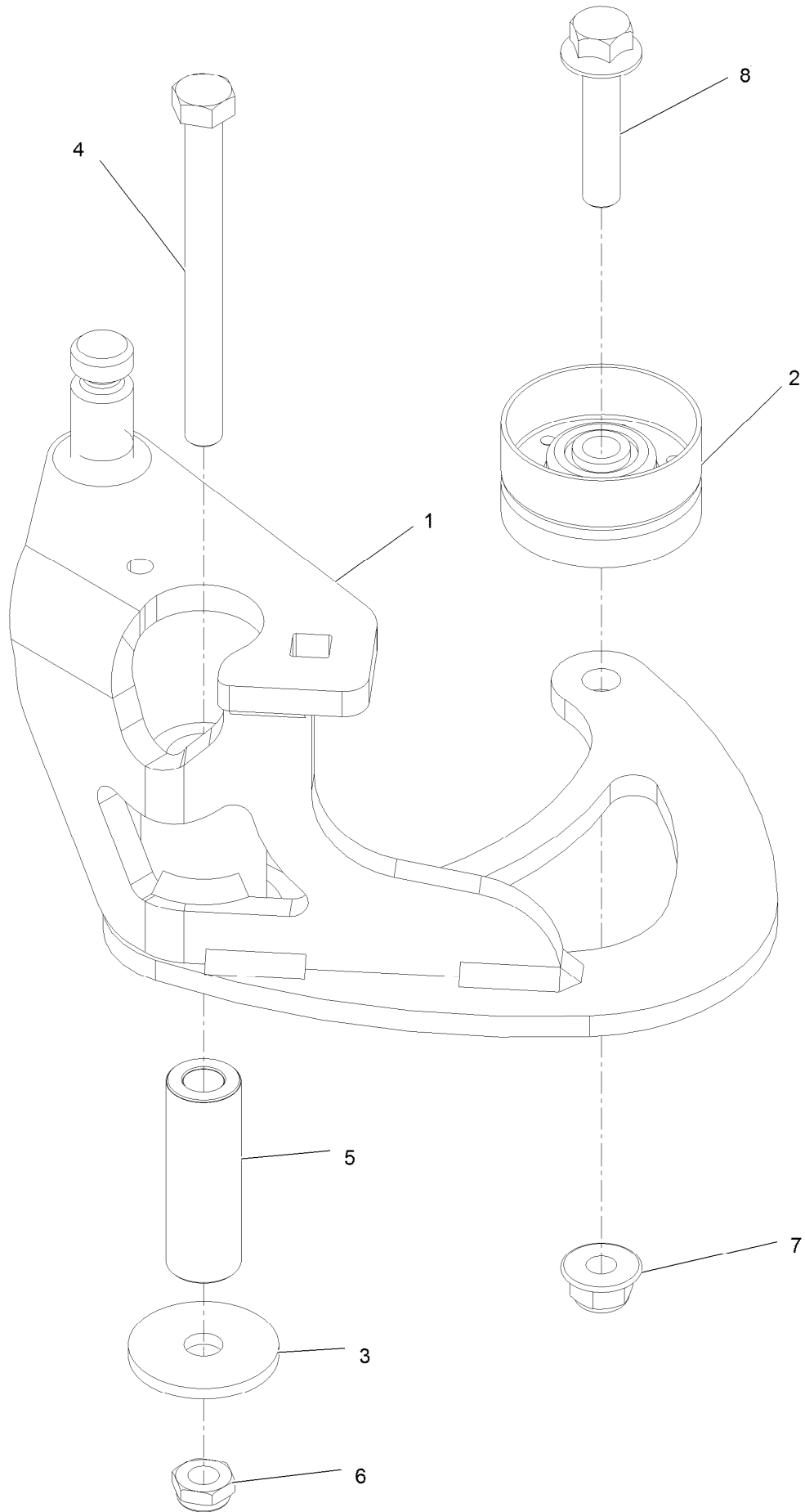


Hydraulic Assembly (continued)

<i>Ref.</i>	<i>Part Number</i>	<i>Qty.</i>	<i>Description</i>	<i>Ref.</i>	<i>Part Number</i>	<i>Qty.</i>	<i>Description</i>
1	135-1274	2	Motor-Wheel	16	135-7055	1	Line, Hydraulic, Charge Tee
2	135-2212	1	Pump-Hydraulic 10Cc	17	135-7154	1	Line-Hydraulic Charge
2:1	126-2479	1	Kit, 10Cc Pump Kit	18	135-1621	2	ASM-Hub And Studs
2:2	105-6184	1	Seal Overhaul Kit	18:2	116-1696	4	Stud-Wheel
3	135-2211	1	Pump-Hydraulic 10Cc	19	116-2839	2	Nut-Lock
3:1	126-2479	1	Kit, 10Cc Pump Kit	20	135-7153	1	Line-Hydraulic Supply
3:2	105-6184	1	Seal Overhaul Kit	21	135-1270	1	ASM, Idler Arm
4	135-3305	1	ASM, Hydraulic Reservoir	22	135-1272	1	Spring, Extension
4:3	116-9273	1	Reservoir Cap ASM	23	135-1197	2	Pulley, Pump
4:3:1	103-1949	1	Gasket-Cap	24	135-1196	1	Belt, Pvk5
5	32105-15	2	Screw-Machine 1/4-20 X 3/4	25	135-2962	1	Line-HYD Lt Rear
6	3296-56	2	Nut-Nyloc 1/4-20 Thin	26	135-2963	1	Line-HYD Lt Front
7	135-1634-03	1	Bracket-Filter	27	135-2964	1	Line-HYD Rt Rear
8	340-98	4	Fitting-Elbow, 90 DEG	28	135-2965	1	Line-HYD Rt Front
8:1	237-79	1	O-Ring	29	126-6268	2	Screw-Truss HD 5/16-18 X 3/4 Torx Plus
8:2	237-30	1	O-Ring	30	104-8300	2	Nut-Nyloc 5/16-18 Flg
9	340-77	4	Fitting-Elbow, 90 DEG	31	3234-13	2	Screw-HHF
9:1	237-22	1	O-Ring	32	3232-3	4	Bolt-Carriage 7/16-14 X 1 1/2
9:2	237-42	1	O-Ring	33	114-8417	4	Nut-HF, NI
10	340-105	4	Fitting-Elbow, 90 DEG	34	98-5975	8	Washer-Spring Disc 3/8
10:1	237-80	1	O-Ring	35	323-6	8	Screw-HH 3/8-16 X 1
10:2	237-30	1	O-Ring	36	135-7971	2	Key, 5Mm X 5Mm X 29Mm
11	103-2888	1	Head-Filter	37	3241-7	4	Screw-SQH ●
12	340-96	2	Adapter	39	340-99	2	Fitting-HYD, 90 DEG
12:1	237-30	1	O-Ring	39:1	237-30	1	O-Ring
12:2	237-42	1	O-Ring	39:2	237-42	1	O-Ring
13	109-4180	1	Element, Oil Filter	40	73-0041	2	Washer-Thrust
14	135-7056	1	Line, Hydraulic, Case Tee				
15	135-7054	1	Line, Hydraulic, Case				

● Use Pro-Lock, Nut Type (P/N 1-840022, .5ml tube) on threads.

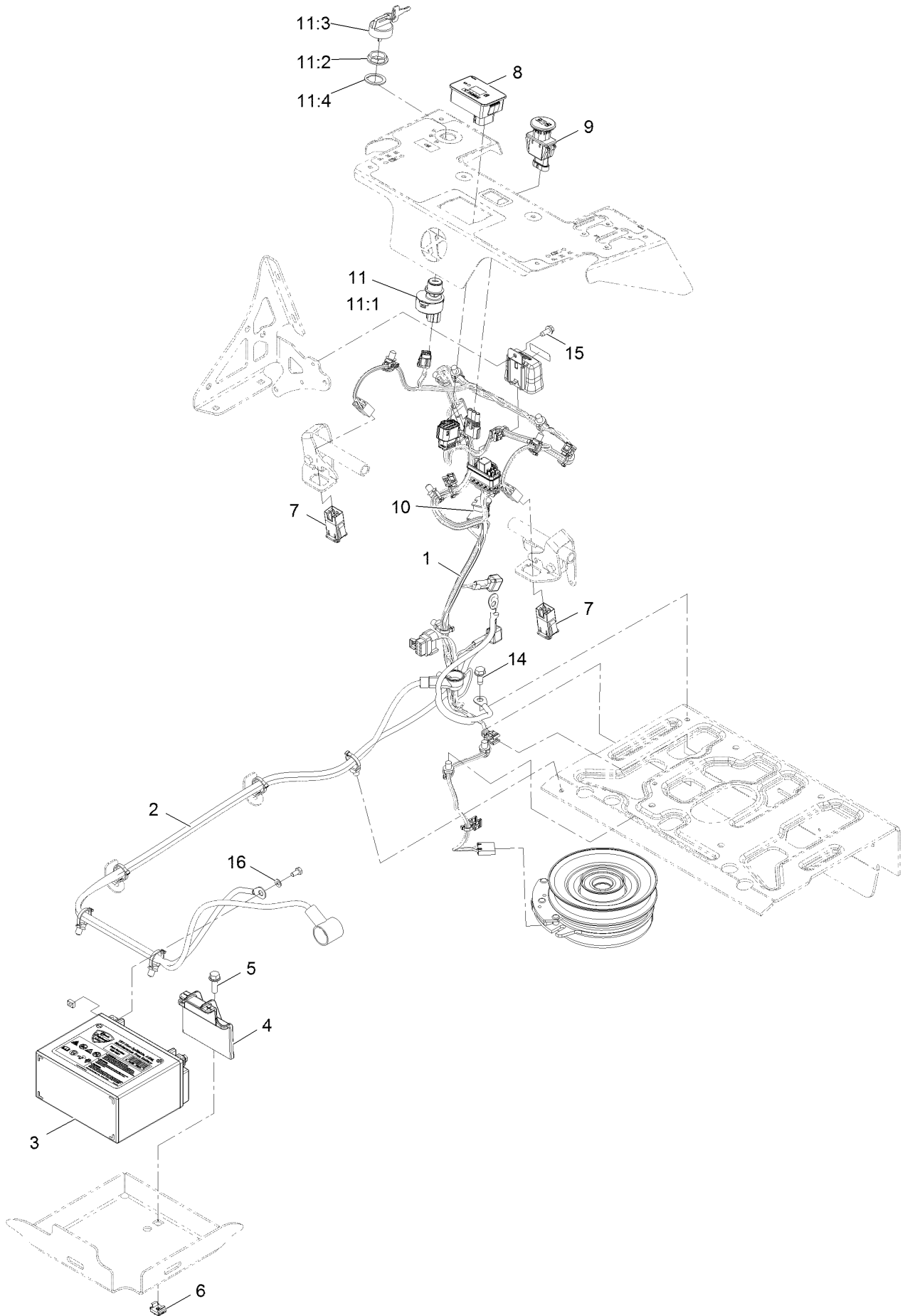
Idler Arm Assembly



Idler Arm Assembly (continued)

<i>Ref.</i>	<i>Part Number</i>	<i>Qty.</i>	<i>Description</i>	<i>Ref.</i>	<i>Part Number</i>	<i>Qty.</i>	<i>Description</i>
1	135-2238	1	ASM, Idler Arm W/ Bushings	5	135-1273	1	Tube, Idler Pivot
2	135-1199	1	Idler, Flat	6	3296-59	1	Nut-Nyloc 3/8-16 Thin
3	1-213069	1	Washer	7	104-8301	2	Nut-Nyloc 3/8-16 Flg
4	323-16	1	Screw-HH 3/8-16 X 4	8	3234-19	1	Screw-HHF 3/8-16 X 1 3/4

Electrical Assembly



Electrical Assembly (continued)

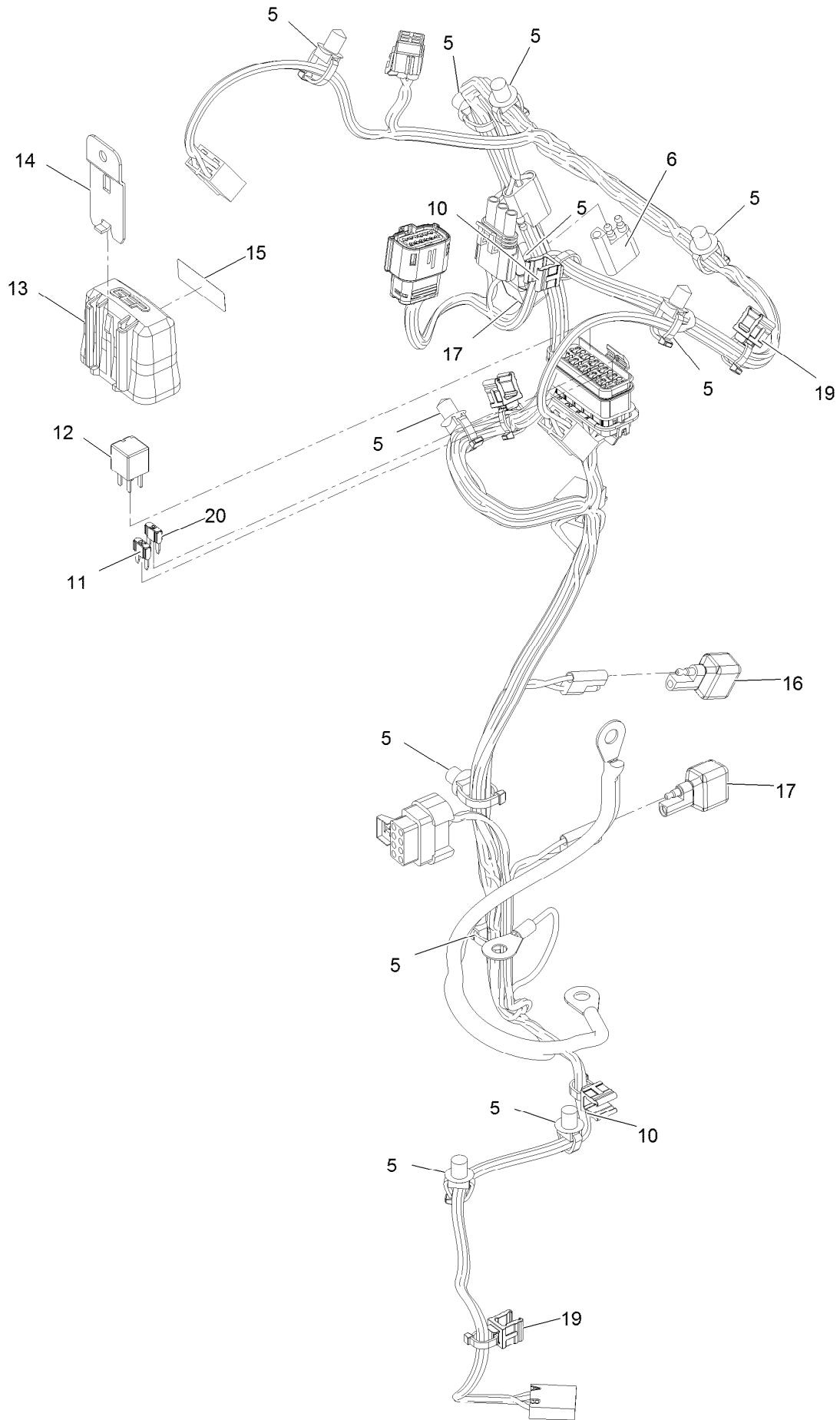
<i>Ref.</i>	<i>Part Number</i>	<i>Qty.</i>	<i>Description</i>	<i>Ref.</i>	<i>Part Number</i>	<i>Qty.</i>	<i>Description</i>
1	135-2249	1	Harness-Wiring ▲	11	126-6285	1	Ignition Switch ASM
2	135-2255	1	Harness-Battery	11:1		1	Switch-Ignition ■
3	135-4421	1	Battery, Agm, Non-Spillable	11:2	108-8660	1	Nut-Mounting
4	135-4422	1	Hold Down, Battery	11:3	106-5270	1	Ignition Key Set
5	3234-29	1	Screw-HH Flg 5/16-18 X 1	11:4	108-8659	1	Washer-Backup
6	135-4473	1	Nut, Snap	14	32144-11	1	Screw-HWH 5/16-18 X 3/4 Tf
7	104-3338	2	Switch-Delta	15	32144-10	1	Screw-HWH 1/4-20 X .62
8	135-7189	1	Module-Hour Meter	16	1-303435	2	Washer-Spring Disc 1/4
9	126-6187	1	Switch-PTO, Sealed	99	135-7732	1	Hardware Kit, Battery ●
10	82-2190	1	Switch				

● Not illustrated

■ Not serviced separately

▲ Use dielectric grease on all unsealed connectors and terminals only. Do not apply in sealed connectors.

Harness Assembly



Harness Assembly (continued)

<i>Ref.</i>	<i>Part Number</i>	<i>Qty.</i>	<i>Description</i>	<i>Ref.</i>	<i>Part Number</i>	<i>Qty.</i>	<i>Description</i>
5	32180-030	11	Clip-Tie	15	126-7875	1	Decal-Fuse
6	32180-197	1	Cap-Plug	16	103-3895	1	Diode
10	32180-078	2	Clip-Edge	17	100-4918	2	Diode
11	121-8868	1	Fuse-Mini Blade, 20 Amp	19	32180-082	3	Clip-Edge W/Tie, Perpendicular
12	126-3991	1	Relay-Micro	20	121-8867	1	Fuse-Mini Blade, 15 Amp
13	32180-176	1	Cover-Block, Fuse				
14	32180-177	1	Clip-Mounting				

Notes:

Notes:

Notes:



MAXIMIZE THE PERFORMANCE OF YOUR EXMARK MACHINE.



EXMARK® PREMIUM ENGINE OIL

Exmark now offers a family of engine oil viscosities to perform well in any environment. Each viscosity has the same synthetic formulation to give you what you need in punishing conditions. We designed each grade to the highest quality, making it ideal even for diesel applications. Coupled with Exmark Premium Fuel Treatment, we have the performance products to make your machine hum.

EXMARK PREMIUM ENGINE OIL SAE 30/10W-30

- Meets zero shear requirements of a straight grade SAE 30 as well as the cold temp properties of a 10W-30.
- Most versatile oil in the industry.
- Superior corrosion protection over conventional oil - even in corrosive, humid environments.

EXMARK PREMIUM ENGINE OIL SAE 20W-50

- Perfect for your big block engine, or any application in severe service.
- Same full synthetic formulation as all other Exmark Premium viscosities.
- Also effective for use in severe service small block engines.

EXMARK PREMIUM ENGINE OIL SAE 10W-50

- Full synthetic formulation gives you peak performance. Don't settle for less.
- Wide span multi-grade combines easy starting in cold weather with maximum protection in high temperature operation.
- Reduce friction & wear over standard mineral formulations.

EXMARK PREMIUM ENGINE OIL SAE 0W-40

- The perfect choice for when the weather turns cold or unpredictable, and your Exmark UTV has to perform.
- Commercial quality for severe service.
- Advanced additive package helps prevent corrosion from long-term storage.

EXMARK PREMIUM ENGINE OIL UTV FORMULATION

- 4-cycle high-temp formulation.
- Heavier viscosity, full synthetic, perfect for your UTV.

EXMARK PREMIUM UTV EXTREME CONDITIONS GEAR OIL

- SAE 80W-90, designed to keep your UTV performing at its peak.
- Shear stable, hypoid gear lube.
- Includes a premium additive system to combat wear, oxidation, rust & corrosion.

Available from your local Exmark dealer. Find your closest dealer at exmark.com

EXMARK ACCESSORIES AND OPTIONS*

MID-MOUNT RIDING ACCESSORIES AND OPTIONS

CUSTOM RIDE SEAT SUSPENSION SYSTEM	OPERATOR CONTROLLED DISCHARGE
FULL SUSPENSION SEAT	SUN SHADE
DECK LIFT ASSIST KIT	TRASH CONTAINER
HITCH KIT	TURF STRIPER
LIGHT KIT	ULTRA VAC COLLECTION SYSTEM
12V POWER PORT	ULTRA VAC QUICK DISPOSAL SYSTEM
MICRO-MULCH SYSTEM	

OUT-FRONT RIDING ACCESSORIES AND OPTIONS

CUSTOM RIDE SEAT SUSPENSION SYSTEM	SNOW BLADE
DUAL-TAIL WHEEL	SNOWBLOWER
FLOOR PAN EXTENDER	SUN SHADE
HITCH KIT	TRASH CONTAINER
LIGHT KIT	ULTRA VAC COLLECTION SYSTEM
MICRO-MULCH SYSTEM	ULTRA VAC QUICK DISPOSAL SYSTEM
ROLL OVER PROTECTION SYSTEM (ROPS)	WEATHER CAB

WALK-BEHIND ACCESSORIES AND OPTIONS

GRASS CATCHER	TURF STRIPER
MICRO-MULCH SYSTEM	STANDON

*Some accessories and options not available for some models.

Place Model No. and Serial No.
Label Here (Included in the Literature
Pack) or Fill in Below

Model No. _____

Serial No. _____

Date Purchased _____

Engine Model No. and Spec. No. _____

Engine Serial No. (E/No) _____

© 2019 Exmark Mfg. Co., Inc.
2101 Ashland Ave
Beatrice, NE 68310
All Rights Reserved

Part No. 4504-389 Rev. C
(402) 223-6375
Fax (402) 223-5489
Printed in the USA.

