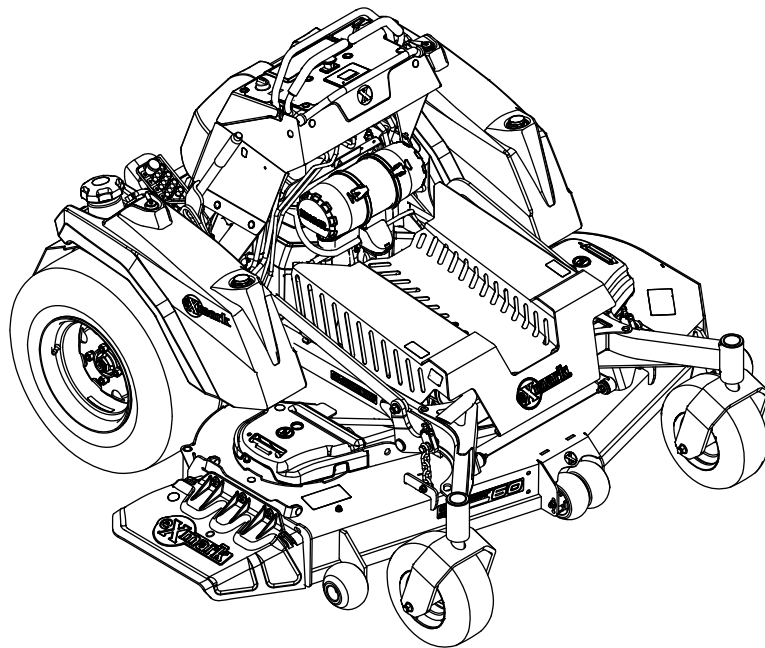




# **STARIS® S-SERIES**

Model No. STS730GKA52400—Serial No. 404314159 and Up

Picture below may not reflect actual product.



# **Parts Manual**

Part No. 4504-289 Rev. B

# Ordering Replacement Parts

To order replacement parts, please supply the part number, the quantity, and the description of each part desired.

## Understanding Reference Numbers

Each identified part in an illustration has a reference number. The reference number for a part also appears in the parts list, along with other information about the part.

This catalog uses two special reference number formats, one to indicate parts in a service assembly and another to indicate the quantity of a given part in an illustration.

## Service Assembly Reference Numbers

Parts in service assemblies have reference numbers in the form a:b. The a represents the reference number of the entire service assembly and the b represents a sequential number unique to each part within the service assembly.

For example, a wheel assembly might be identified by reference number 6, the tire by 6:1, the valve by 6:2, and the wheel by 6:3. When you order the assembly identified by reference number 6, you receive all parts identified by reference numbers 6:1, 6:2, and 6:3. However, you may also order any part individually. Reference numbers of this type appear in illustration and in parts lists.

## Reference Numbers Indicating Quantity

In an illustration, if a reference number indicates more than one part, the reference number has the form nX y. The n represents the quantity of the part, the X is the multiplication symbol, and the y represents the reference number.

For example, in an illustration, the reference number 2X 37 means that two of the parts identified by reference number 37 are indicated.

# Touch Up Paint

Exmark black touch up spray paint – gloss black.

Exmark red touch up paint (spray paint – P/N 1-850337 - .6 oz liquid bottle – P/N 103-9140).

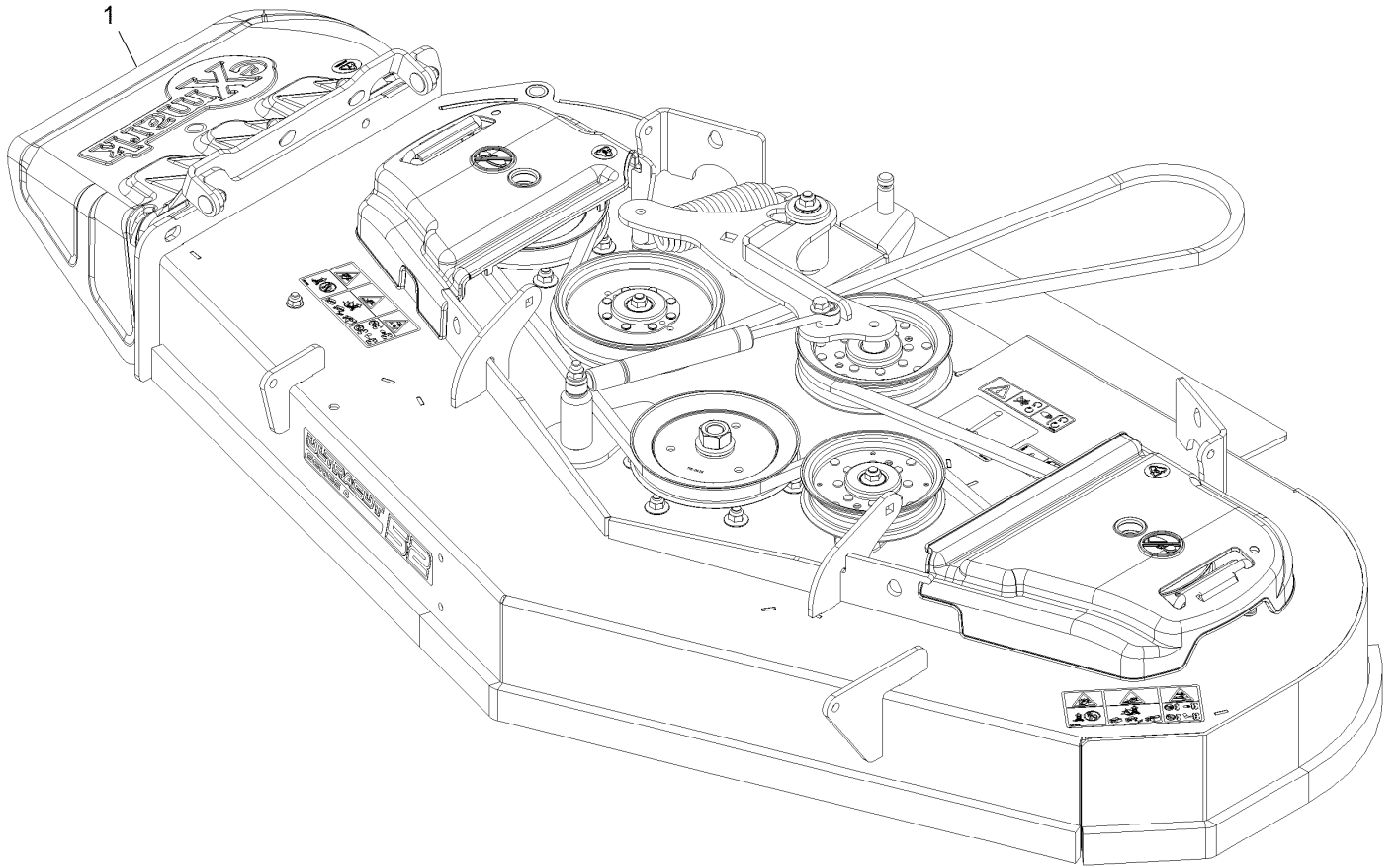


If your Exmark dealer does not have the Exmark part in stock, Exmark will get the parts to the dealer the next business day or the part will be FREE Guaranteed!! (Some restrictions apply. See your participating Exmark Dealer for details.)

## Contents

Complete Deck Assembly . . . . .	4
Deck Assembly . . . . .	6
Deck W/Decals Assembly . . . . .	8
Deck Idler Assembly . . . . .	10
Main Frame Assembly . . . . .	12
Controls Assembly . . . . .	14
Deck Lift Assembly . . . . .	16
Deck Strut Assembly . . . . .	18
Height of Cut Lever Assembly . . . . .	20
Platform Assembly . . . . .	22
Guarding Assembly . . . . .	24
Drive Wheel Assembly . . . . .	26
Caster Wheel Assembly . . . . .	28
Park Brake Assembly . . . . .	30
Fuel Assembly . . . . .	32
Left and Right Fuel Tank Assembly . . . . .	34
Left Fuel Line Assembly . . . . .	36
Right Fuel Line Assembly . . . . .	38
Fuel Line Assembly . . . . .	40
Engine Assembly . . . . .	42
Hydraulic Assembly . . . . .	44
Idler Arm Assembly . . . . .	46
Electrical Assembly . . . . .	48
Harness Assembly . . . . .	50

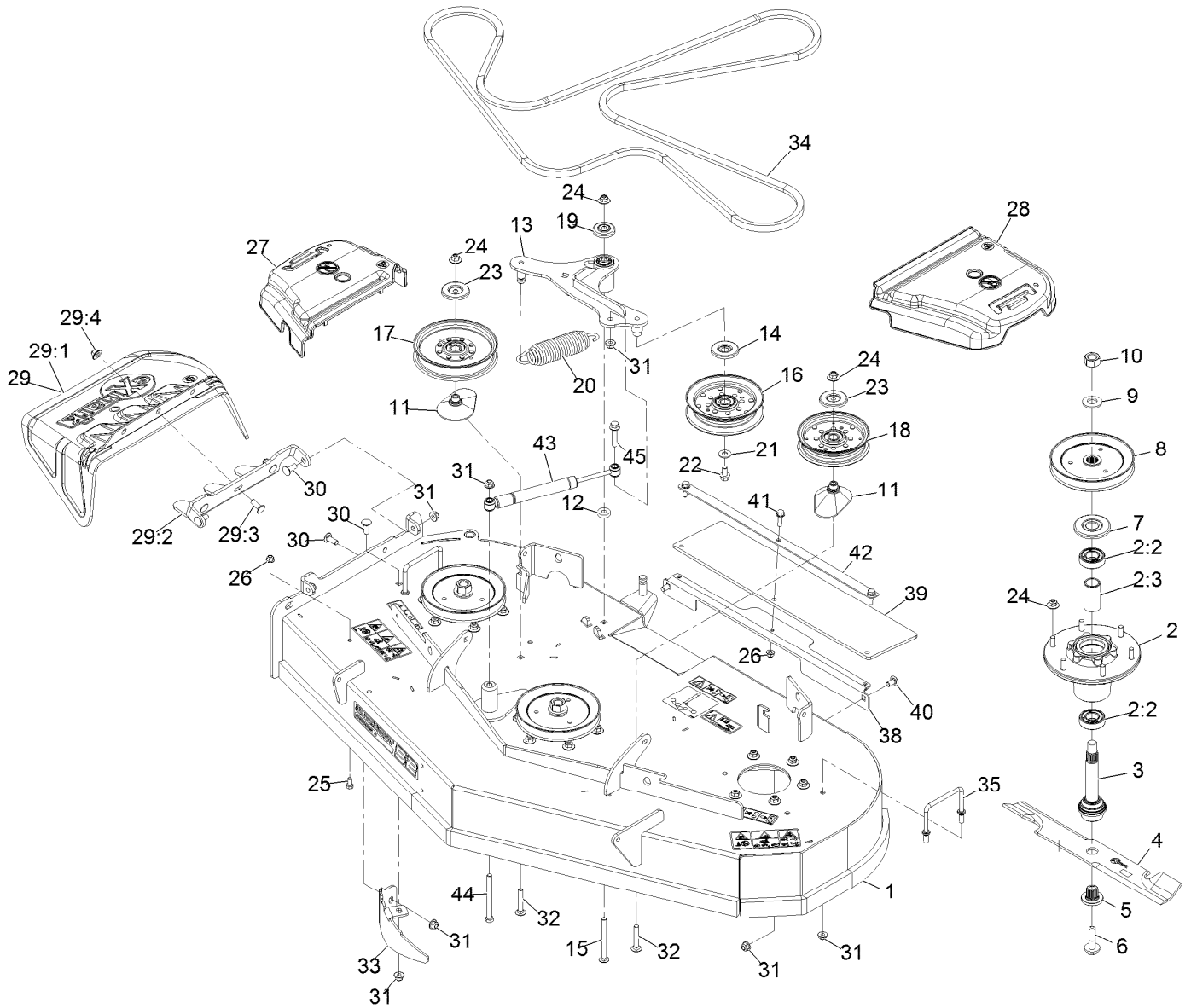
# Complete Deck Assembly



# Complete Deck Assembly (continued)

<i>Ref.</i>	<i>Part Number</i>	<i>Qty.</i>	<i>Description</i>
1	135-6669	1	ASM, Complete Deck, 524

# Deck Assembly



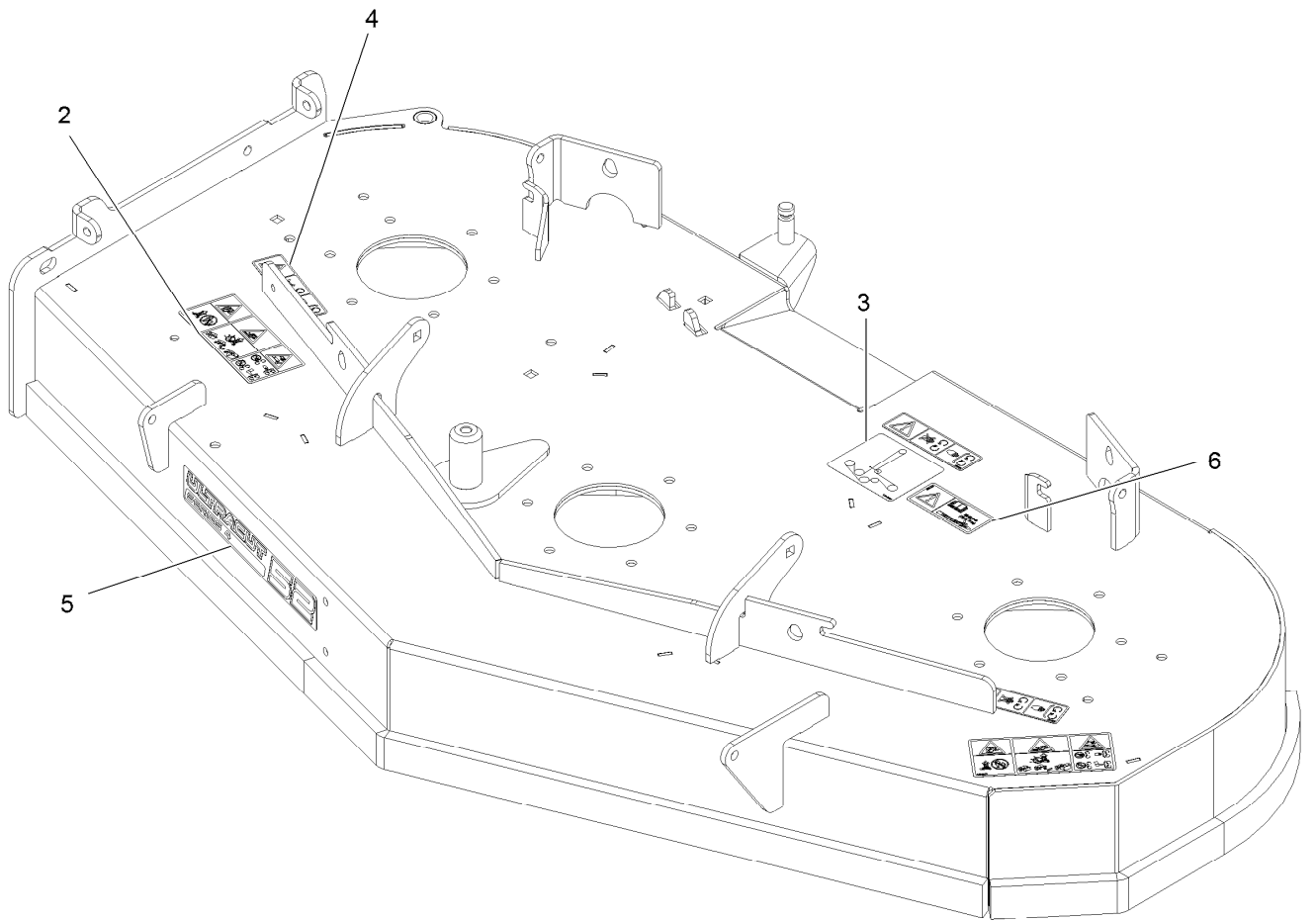
## Deck Assembly (continued)

<i>Ref.</i>	<i>Part Number</i>	<i>Qty.</i>	<i>Description</i>	<i>Ref.</i>	<i>Part Number</i>	<i>Qty.</i>	<i>Description</i>
1	135-1908	1	ASM, Deck W/ Decals, 52"	22	110-1718	1	Screw-Hex Flange 3/8-16 X 3/4
2	116-3344	3	ASM-Cutter Hsg With Bearings	23	126-8043	2	Shield-Dust
2:2	116-0720	2	Bearing-Ball	24	109-6658	21	Nut-Nyloc 3/8-16 Flg
2:3	116-3312	1	Spacer-Bearing	25	322-2	1	Screw-HH 5/16-18 X 5/8
3	116-3341	3	ASM-Spindle And Seal	26	104-8300	4	Nut-Nyloc 5/16-18 Flg
4	103-6392	3	Blade, Mulching ■	27	109-6935	1	Cover-Belt, RH
4	103-6382	3	Blade, Solid ●	28	109-6936	1	Cover-Belt, LH
4	103-6387	3	Blade, Low Lift ●	29	109-7188	1	ASM,Discharge Chute
4	116-5175	3	Blade-Extreme 2, 18.00" ●	29:1	109-2738	1	Chute, Discharge
4	103-6402	3	Blade-Notched	29:2	109-8675-01	1	Bracket,Discharge Chute
5	103-3037	3	Bushing, Splined	29:3	3231-22	3	Bolt-Carriage 3/8-16 X 1
6	109-9220	3	Screw-Sems 1/2-20 X 2.19	29:4	109-6658	3	Nut-Nyloc 3/8-16 Flg
7	116-1286	3	Guard,Bearing Top .989	30	3231-22	4	Bolt-Carriage 3/8-16 X 1
8	116-0675	3	Sheave,Blade Drive 6.50	31	104-8301	12	Nut-Nyloc 3/8-16 Flg
9	103-2802	3	Washer-Spring Disc 3/4	32	3231-7	2	Bolt-Carriage 3/8-16 X 2 1/4
10	116-7306	3	Nut-Hex	33	116-5814-01	1	Baffle-Dogleg, Lz-Vt52
11	109-2872	2	Spacer-Pulley	34	135-5078	1	Belt, 5V
12	62-6660	1	Spacer	35	109-6982	2	Wireform-Cover
13	135-7394	1	ASM-Deck Idler	38	135-6287-03	1	Brkt, Heat Deflector
14	126-9195	1	Shield-Guard, Dust	39	135-6358	1	Shield, Heat
15	3231-37	1	Bolt-Carriage 3/8-16 X 4	40	3231-21	2	Bolt-Carriage 3/8-16 X 3/4
16	126-9196	1	Idler-Pulley, Flat	41	3234-29	3	Screw-HH Flg 5/16-18 X 1
17	126-9189	1	Idler-Pulley, Flat 6.00X1.00	42	135-7122-03	1	Brkt-Heat Deflector, Top
18	126-9187	1	Pulley-Idler, Flat	43	135-7252	1	Damper
19	103-2916	1	Guard-Top	44	323-17	1	Screw-HH 3/8-16 X 4 1/4
20	116-6317	1	Spring-Extension	45	3234-19	1	Screw-HHF 3/8-16 X 1 3/4
21	3256-4	1	Washer-3/8 Std				

● Optional Equipment

■ Requires installation of mulch kit for proper mulching. See your Exmark dealer for details.

# Deck W/Decals Assembly

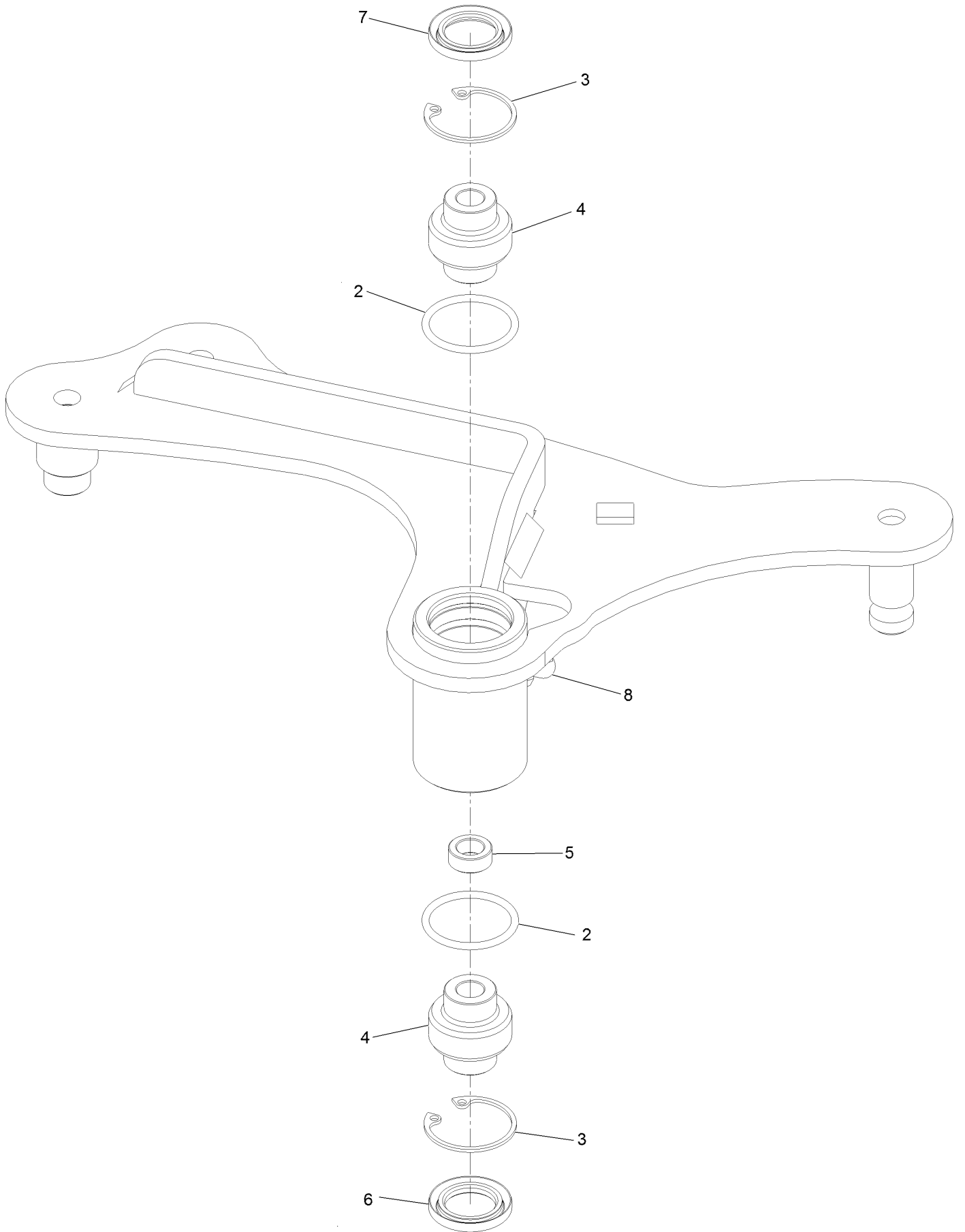




## Deck W/Decals Assembly (continued)

<i>Ref.</i>	<i>Part Number</i>	<i>Qty.</i>	<i>Description</i>	<i>Ref.</i>	<i>Part Number</i>	<i>Qty.</i>	<i>Description</i>
2	135-5210	2	Decal-Warning Thrown Obj	5	126-6588	1	Decal, 524
3	116-8727	1	Decal-Belt Routing	6	116-8283	1	Decal-Bolt Torque
4	112-9028	3	Decal-Cover, Missing				

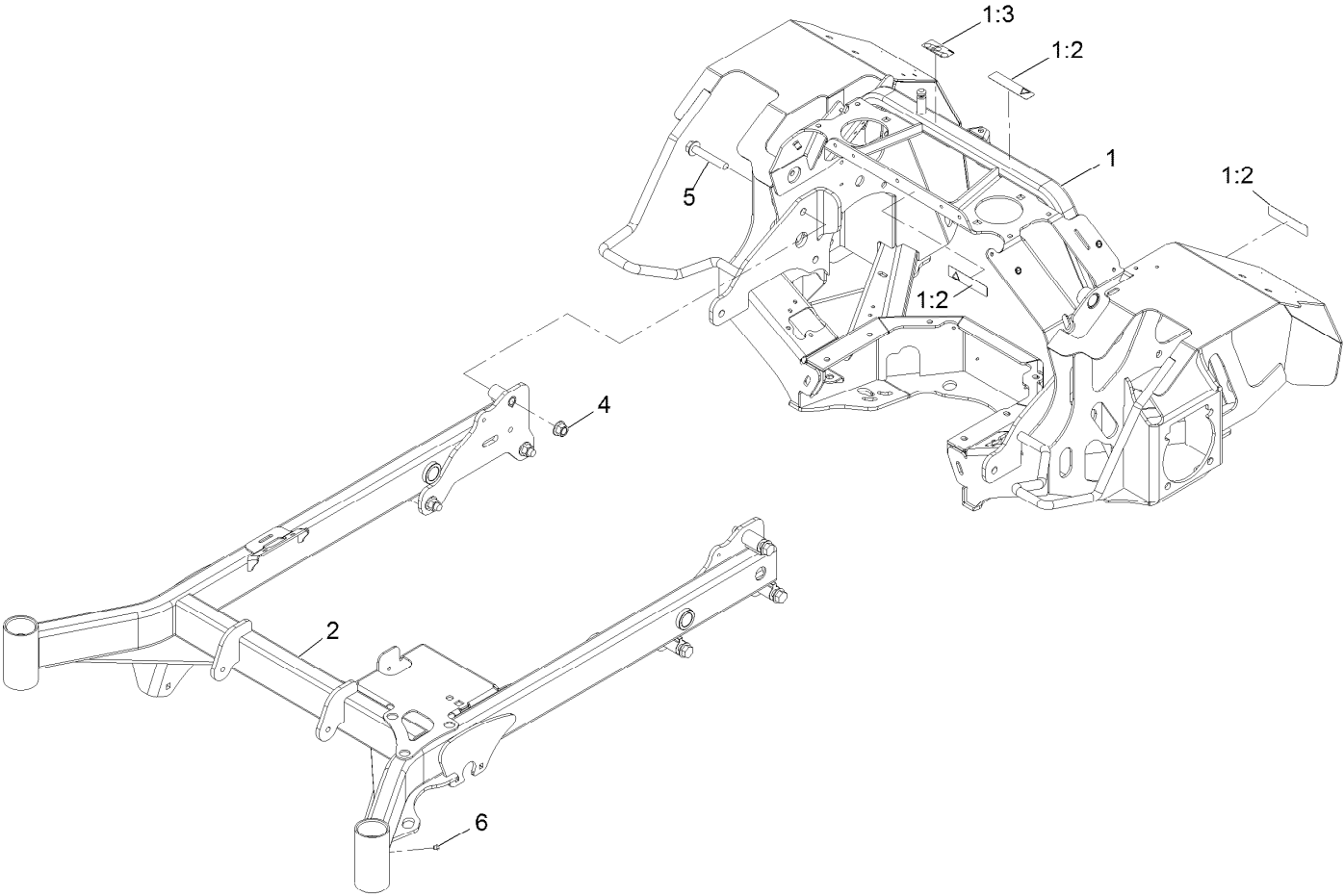
# Deck Idler Assembly



## Deck Idler Assembly (continued)

<i>Ref.</i>	<i>Part Number</i>	<i>Qty.</i>	<i>Description</i>	<i>Ref.</i>	<i>Part Number</i>	<i>Qty.</i>	<i>Description</i>
2	106-7159	2	O-Ring	6	103-3505	1	Seal-Lip, Double
3	32120-10	2	Ring-Retaining	7	103-3506	1	Seal-Single Lip
4	103-3504	2	Bearing-Spherical	8	302-40	1	Zerk-90° 1/4-28
5	103-5677	1	Spacer				

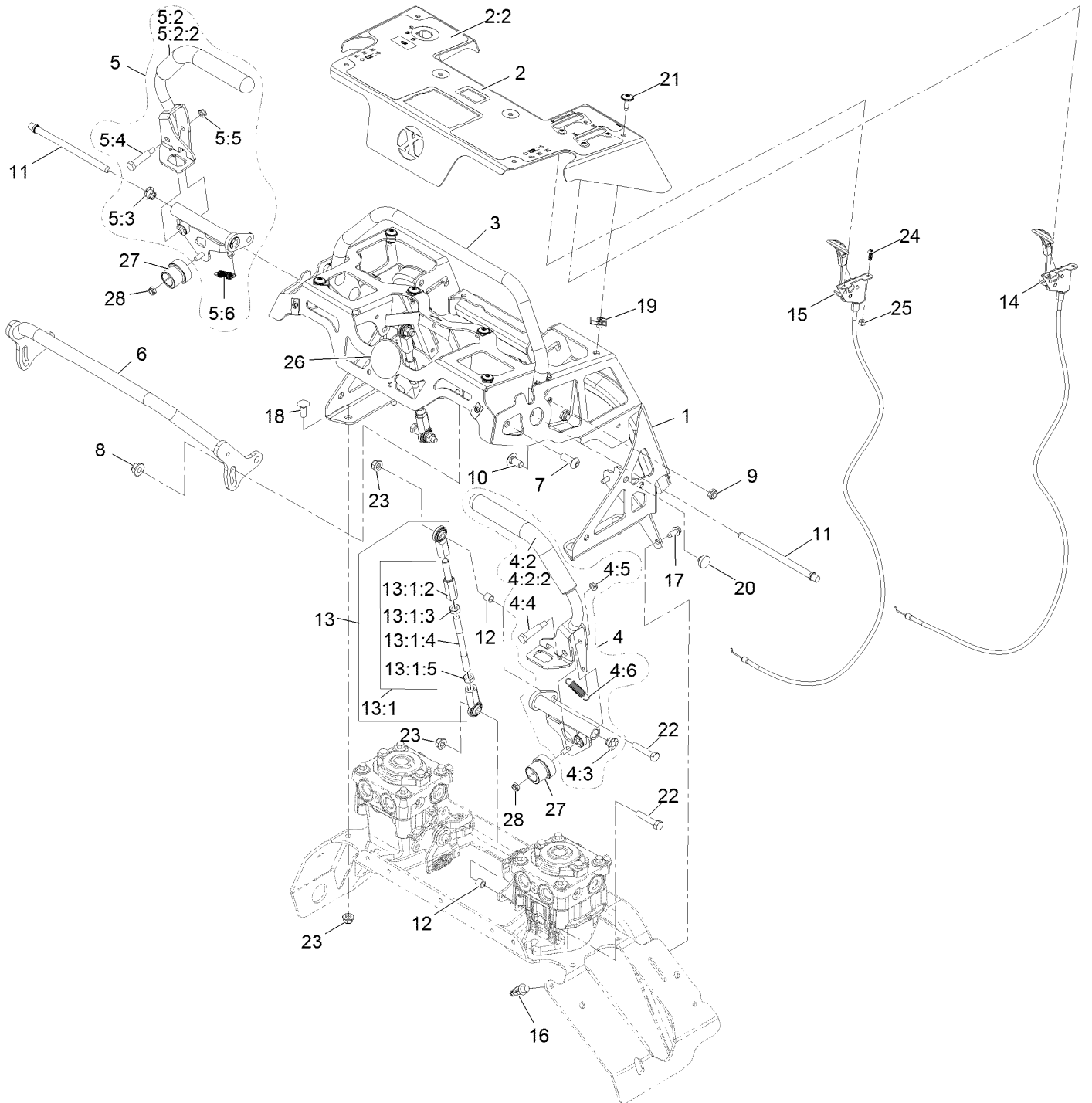
# Main Frame Assembly



## Main Frame Assembly (continued)

<i>Ref.</i>	<i>Part Number</i>	<i>Qty.</i>	<i>Description</i>	<i>Ref.</i>	<i>Part Number</i>	<i>Qty.</i>	<i>Description</i>
1	135-2161	1	ASM, Rear Frame W/ Decals	2	135-1176-01	1	Weld, Front Frame, 48/52
1:2	98-1977	3	Decal-Warning	4	99-5107	6	Nut-Lock 1/2-13
1:3	135-2267	1	Decal-Belt Routing HYD	5	3234-40	6	Screw-HF
				6	1-811010	2	Plug

# Controls Assembly

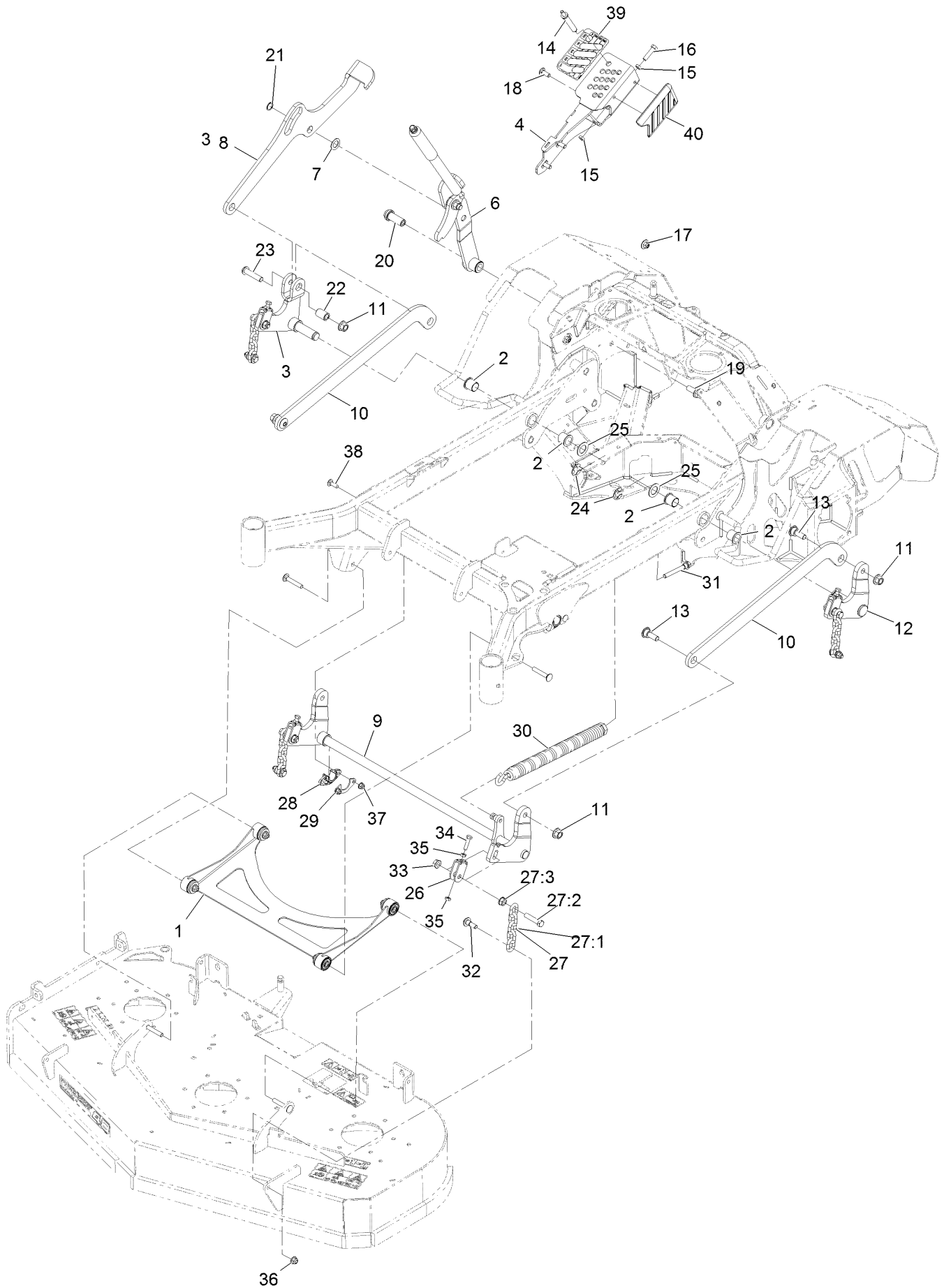


## Controls Assembly (continued)

<i>Ref.</i>	<i>Part Number</i>	<i>Qty.</i>	<i>Description</i>	<i>Ref.</i>	<i>Part Number</i>	<i>Qty.</i>	<i>Description</i>
1	135-4142	1	ASM, Control Tower W/ Decal	9	3296-59	4	Nut-Nyloc 3/8-16 Thin
2	135-6766	1	ASM,Control Panel W/ Decal	10	3231-21	4	Bolt-Carriage 3/8-16 X 3/4
2:2	135-6773	1	Decal-Control Panel Non-EFI	11	135-1277	2	Pin, Pivot
3	135-3430-03	1	Weld, Rear Ref Bar	12	1-633545	4	Spacer
4	135-1304	1	ASM, Motion Control, Lt	13	135-7116	2	ASM, Linkage
4:2	135-2546	1	ASM, Lt Control Lever W/ Grip	13:1		1	ASM, Motion Control Link ●
4:2:2	135-3301	1	Grip, Drive Lever	13:1:2	116-4755	1	Rod-Adjustment
4:3	135-6412	4	Bearing, Igus	13:1:3	3220-16	1	Nut-Jam 3/8-24 LH
4:4	121-1229	1	Bolt-Shoulder	13:1:4	135-1291	1	Link, Motion Control
4:5	3296-56	1	Nut-Nyloc 1/4-20 Thin	13:1:5	3220-3	1	Nut-Jam 3/8-24
4:6	114-0249	1	Spring-Extension	14	135-2168	1	Control, Choke
5	135-1305	1	ASM, Motion Control, Rt	15	135-2169	1	Control, Throttle
5:2	135-2547	1	ASM, Rt Control Lever W/ Grip	16	32180-030	1	Clip-Tie
5:2:2	135-3301	1	Grip, Drive Lever	17	32144-10	4	Screw-HWH 1/4-20 X .62
5:3	135-6412	4	Bearing, Igus	18	3230-16	4	Bolt-Carriage 5/16-18 X 7/8
5:4	121-1229	1	Bolt-Shoulder	19	107069	8	Nut-Retainer-Panel 1/4-20
5:5	3296-56	1	Nut-Nyloc 1/4-20 Thin	20	1-513658	2	Bumper
5:6	114-0249	1	Spring-Extension	21	135-3494	6	Screw, Torx
6	135-3432-03	1	Weld, Front Ref Bar	22	322-8	4	Screw-HH
7	3274-94	2	Screw-Button Head 3/8-16 X 1	23	104-8300	8	Nut-Nyloc 5/16-18 Flg
8	104-8301	2	Nut-Nyloc 3/8-16 Flg	24	135-3176	4	Screw, BHCS
				25	3296-2	4	Nut-Nyloc #10-24
				26	135-2281	1	Decal-Cover
				27	126-1499	2	Cam
				28	3296-56	2	Nut-Nyloc 1/4-20 Thin

● Not serviced separately

# Deck Lift Assembly

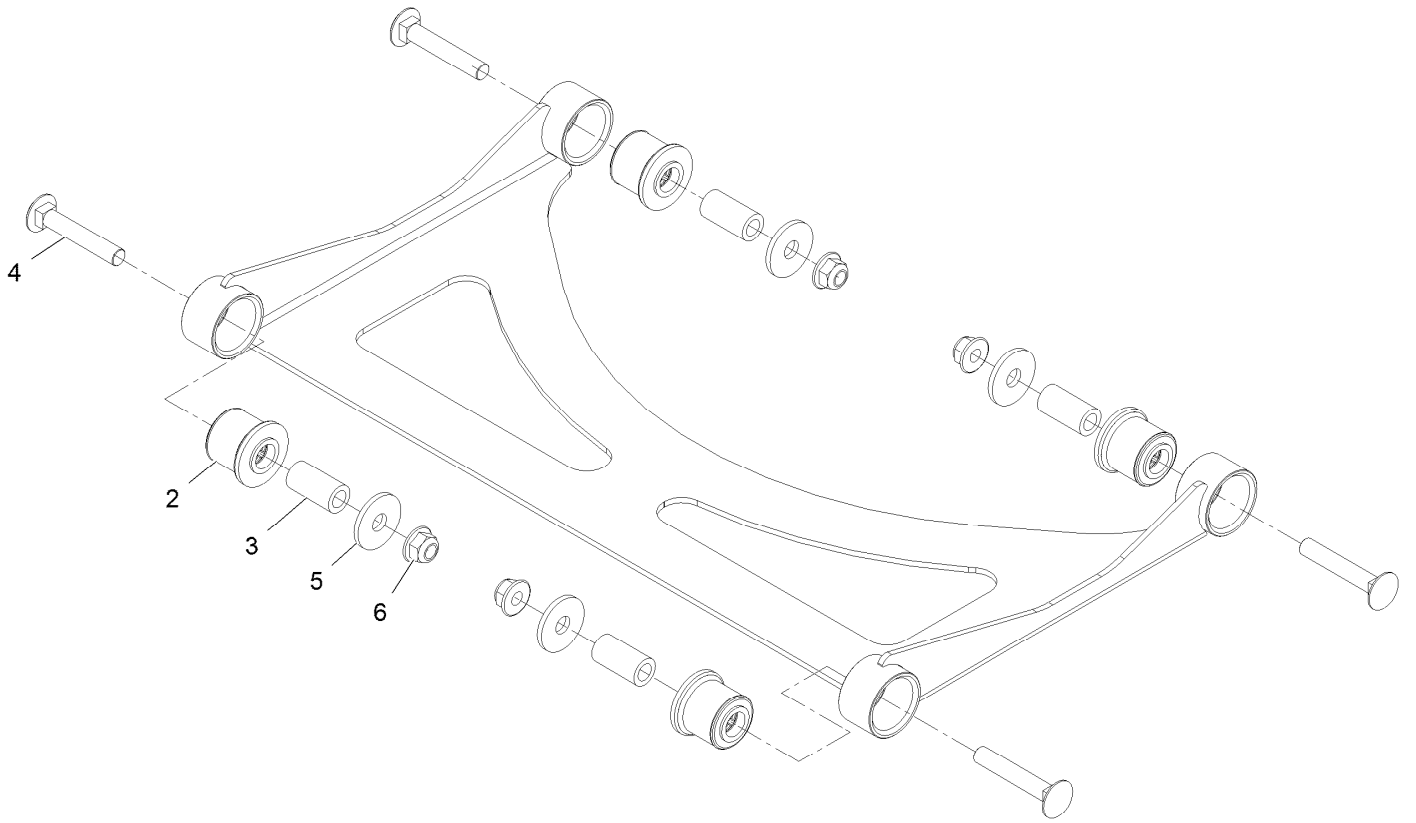




## Deck Lift Assembly (continued)

<i>Ref.</i>	<i>Part Number</i>	<i>Qty.</i>	<i>Description</i>	<i>Ref.</i>	<i>Part Number</i>	<i>Qty.</i>	<i>Description</i>
1	135-1667	1	ASM, Deck Strut	24	32151-103	2	E-Ring
2	135-1248	4	Bushing, Igus	25	119-2332	2	Washer-Flat
3	135-4586-03	1	Weld, Bellcrank, Rt	26	109-9066	4	Yoke-Adjust, Deck
4	135-1252-03	1	Weld, HOC Index	27	116-0756	4	Deck Lift Chain ASM
6	135-2176	1	ASM, HOC Lever	27:1	1-633447	1	Chain-Lift, Deck
7	119-7640	3	Washer-Thrust	27:2	109-9065	1	Screw-HH 7/16-14 X 2
8	135-7782-03	1	Strap, HOC Index	27:3	32128-37	1	Nut-Whizlock 7/16-14
9	135-4585-03	1	Weld, HOC Cross Shaft	28	115-5065	2	Bushing-Flange
10	135-1253-03	2	Strap, HOC Lift	29	116-2887	2	Gusset-Lift, Deck
11	99-5107	4	Nut-Lock 1/2-13	30	116-0886	1	Spring-Extension
12	135-4587-03	1	Weld, Bellcrank	31	92-7674	1	Screw-Shcs 3/8-16 X 2.212
13	135-1259	3	Bolt, Shoulder	32	109-9840	4	Screw-Hex Flange 3/8-16 X .80
14	126-5401	1	Pin-HOC	33	32128-37	4	Nut-Whizlock 7/16-14
15	3218-3	2	Nut-Jam 3/8-16	34	322-47	4	Screw-HH 5/16-18 X 1 1/4
16	323-50	1	Bolt-HH	35	3218-2	8	Nut-Jam 5/16-18
17	109-6658	3	Nut-Nyloc 3/8-16 Flg	36	104-8301	4	Nut-Nyloc 3/8-16 Flg
18	3231-22	3	Bolt-Carriage 3/8-16 X 1	37	104-8300	4	Nut-Nyloc 5/16-18 Flg
19	109-5891	1	Hub-Threaded	38	3230-2	4	Bolt-Carriage 5/16-18 X 1
20	325-4	1	Screw-HH	39	135-2280	1	Decal-Height Of Cut
21	32120-72	1	Ring-Snap	40	135-5337	1	Pad, Knee
22	135-3944	1	Spacer, HOC				
23	135-3945	1	Screw-HSBH				

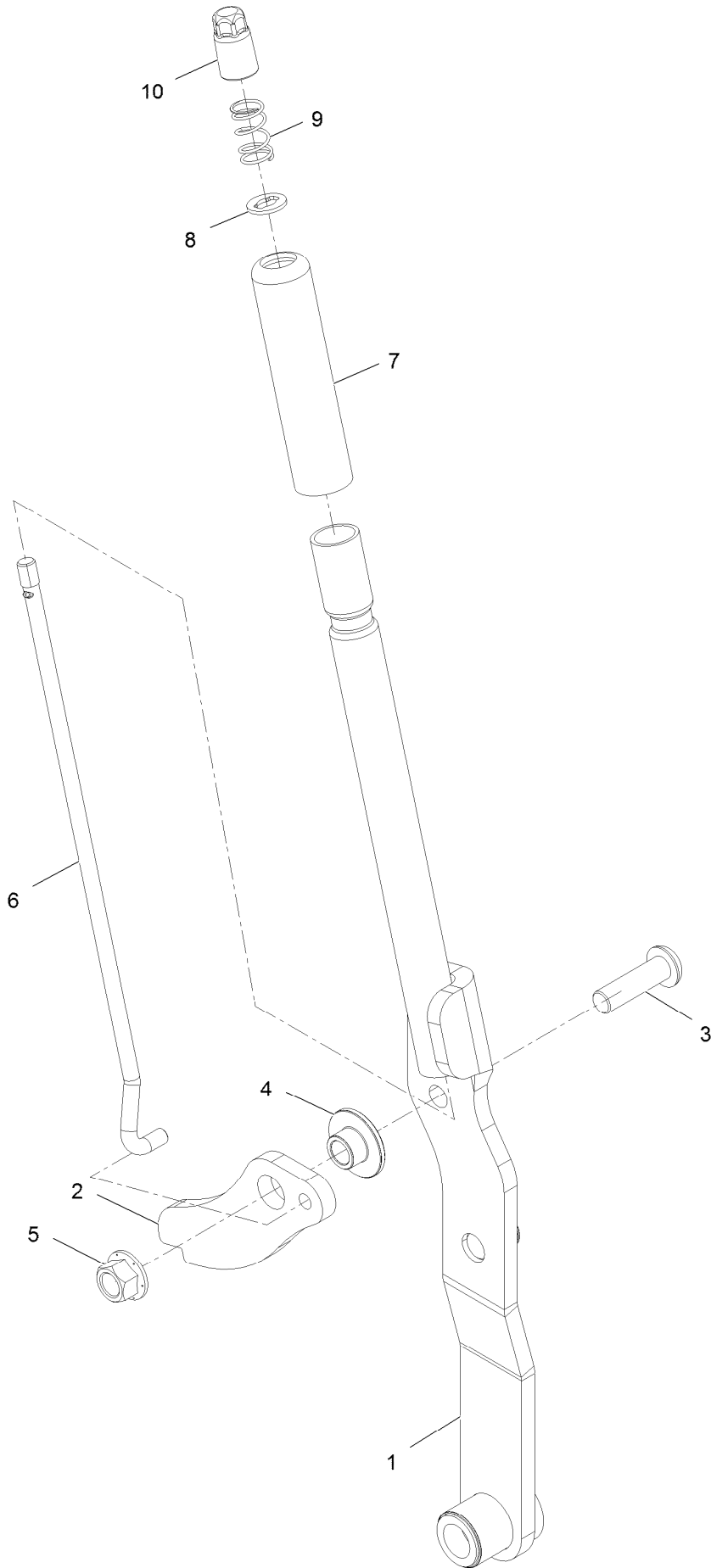
# Deck Strut Assembly



## Deck Strut Assembly (continued)

<i>Ref.</i>	<i>Part Number</i>	<i>Qty.</i>	<i>Description</i>	<i>Ref.</i>	<i>Part Number</i>	<i>Qty.</i>	<i>Description</i>
2	126-8360	4	Bushing-Rubber, Suspension	4	3231-7	4	Bolt-Carriage 3/8-16 X 2 1/4
3	108-6544	4	Spacer	5	2844	4	Washer
				6	104-8301	4	Nut-Nyloc 3/8-16 Flg

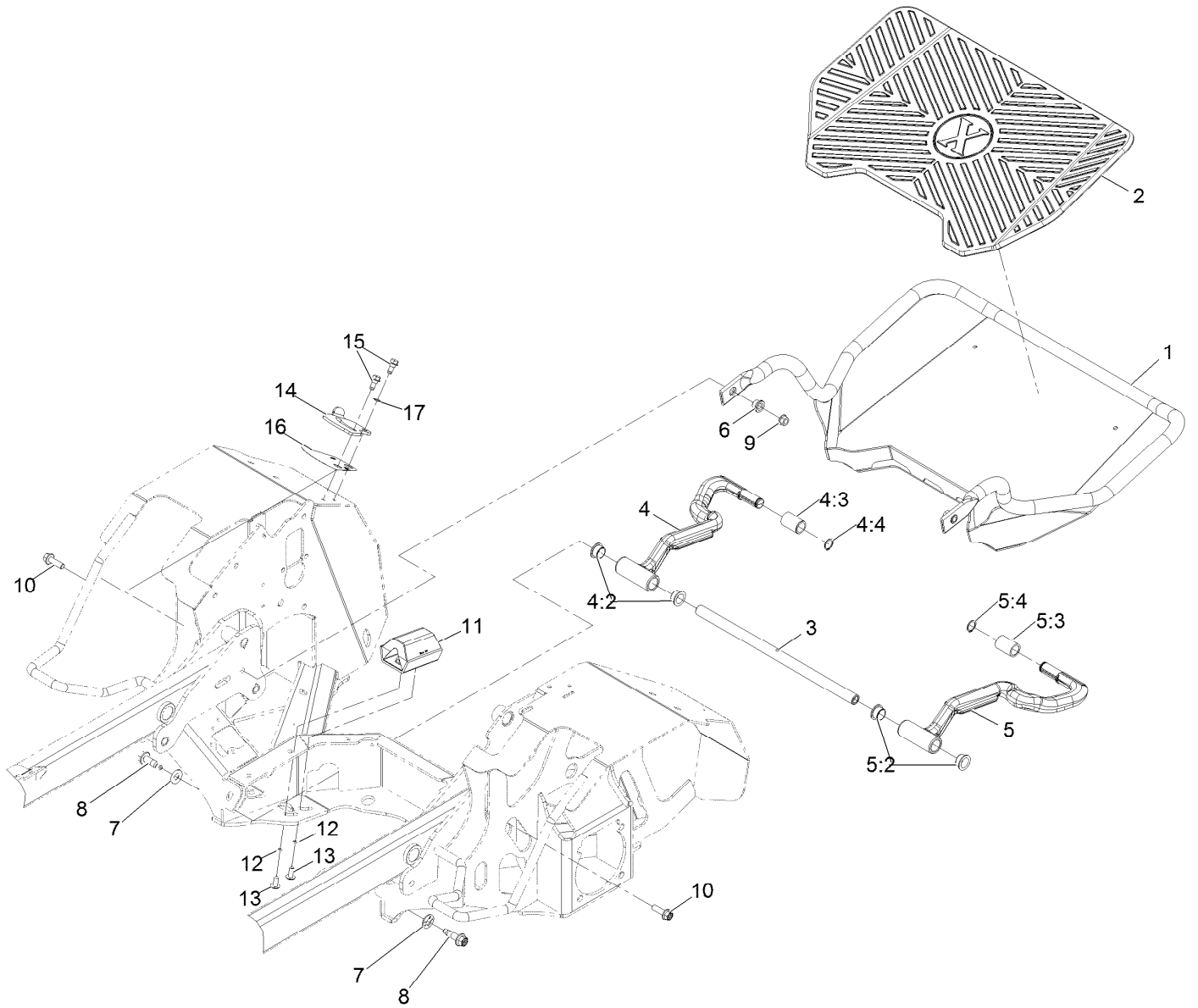
# Height of Cut Lever Assembly



## Height of Cut Lever Assembly (continued)

<i>Ref.</i>	<i>Part Number</i>	<i>Qty.</i>	<i>Description</i>	<i>Ref.</i>	<i>Part Number</i>	<i>Qty.</i>	<i>Description</i>
1	135-2233	1	ASM, HOC Lever W/ Bushings	6	135-1260	1	Linc, HOC
2	135-1209	1	Arm, Transport Lock	7	115-3592	1	Grip
3	108-1993	1	Screw-HSBH	8	114-1207	1	Washer-Special
4	135-3954	1	Spacer	9	114-8187	1	Spring-Compression
5	99-5107	1	Nut-Lock	10	135-7809	1	Button, Push

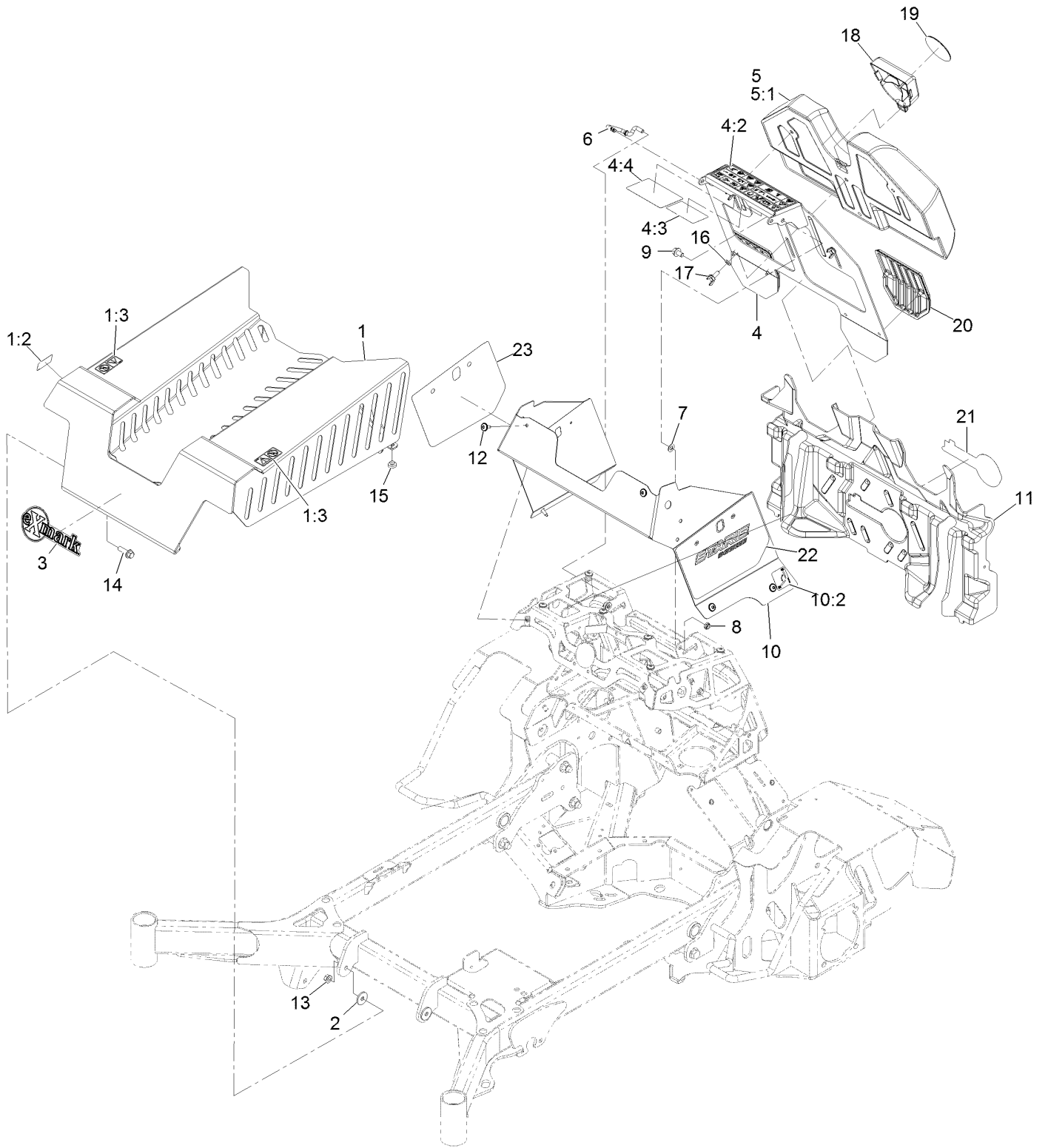
# Platform Assembly



## Platform Assembly (continued)

<i>Ref.</i>	<i>Part Number</i>	<i>Qty.</i>	<i>Description</i>	<i>Ref.</i>	<i>Part Number</i>	<i>Qty.</i>	<i>Description</i>
1	135-1264-03	1	Weld, Platform	7	1-603610	2	Washer-Spring
2	135-1911	1	Mat, Platform	8	135-7001	2	Screw-HHF
3	135-1336	1	Shaft, Cross	9	32128-21	2	Nut-HF
4	135-2237	1	ASM, Rt Arm W/ Bushings	10	135-4712	2	Screw, HHF
4:2	109-8054	2	Bushing-Flange	11	135-3993	2	Bumper
4:3	135-6438	1	Bushing, Sleeve	12	3255-8	4	Washer-Lock
4:4	32120-72	1	Ring-Snap	13	126-6268	4	Screw-Torx
5	135-2236	1	ASM, Lt Arm W/ Bushings	14	135-4601-03	1	Latch, Platform
5:2	109-8054	2	Bushing-Flange	15	126-4424	2	Screw-Shoulder
5:3	135-6438	1	Bushing, Sleeve	16	135-5206	1	Decal-Latch Lock
5:4	32120-72	1	Ring-Snap	17	135-6584	1	Washer, Plastic
6	109-8788	2	Bushing-Flanged	17	142-2432	1	Washer, Wave

# Guarding Assembly

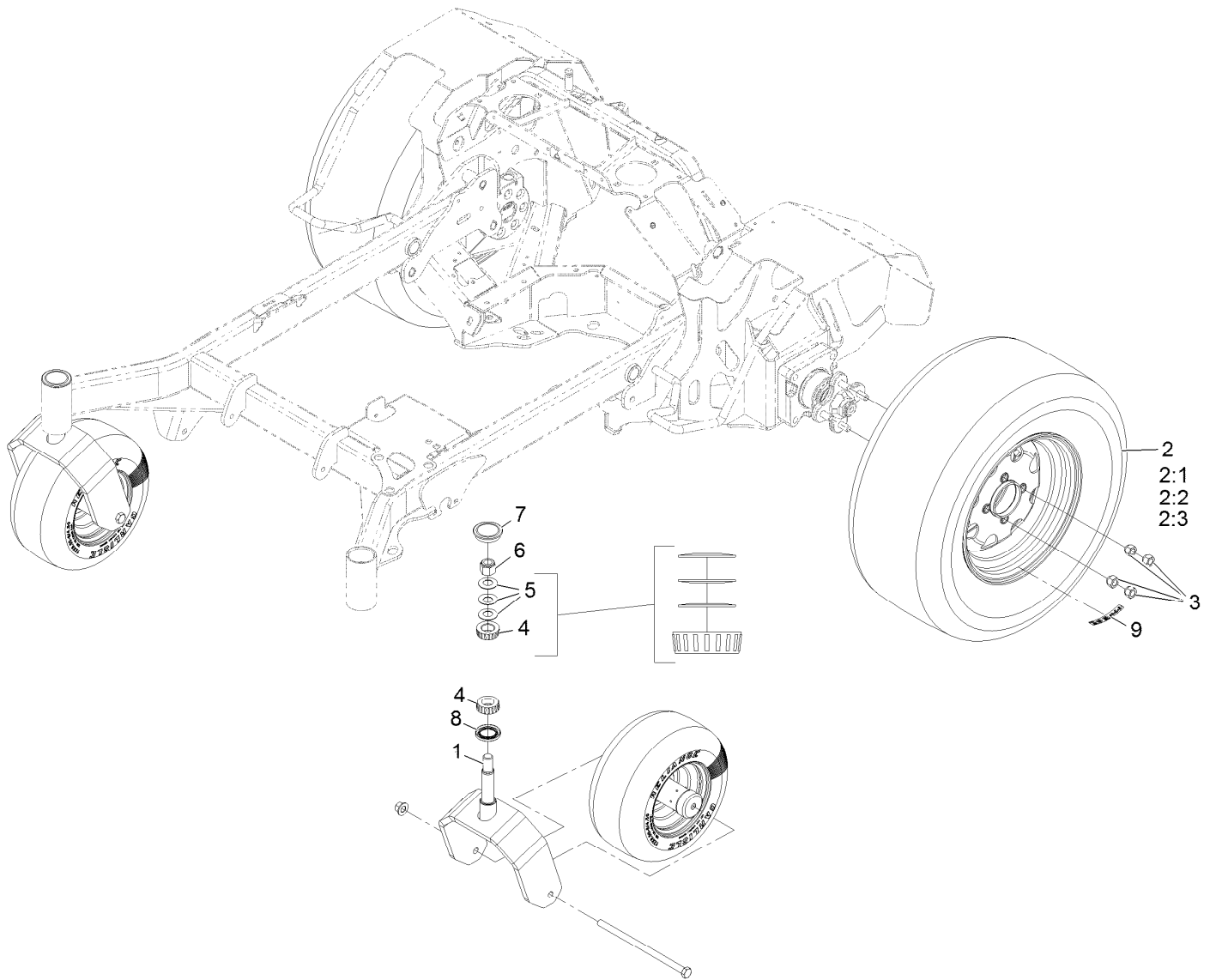




## Guarding Assembly (continued)

<i>Ref.</i>	<i>Part Number</i>	<i>Qty.</i>	<i>Description</i>	<i>Ref.</i>	<i>Part Number</i>	<i>Qty.</i>	<i>Description</i>
1	135-2163	1	ASM, Front Cover W/ Decals	10	135-2164	1	ASM, Tower Skin W/ Decals
1:2	106-5517	1	Decal-Warning	10:2	116-5988	1	Decal-Park Brake, CE
1:3	119-6807	2	Decal-Warning	11	135-1605	1	Panel, Heat Deflector
2	107675	2	Washer	12	135-3494	6	Screw, Torx
3	126-6877	1	Decal, Exmark Logo	13	32128-21	2	Nut-3/8-16 Flanged Side Lock
4	135-2162	1	ASM, Pad Backing W/ Decals	14	119-4061	2	Screw-HHF
4:2	135-2412	1	Decal-Warning	15	1-513658	2	Bumper
4:3	116-8253	1	Decal-Drive Release	16	3290-475	3	Washer-Belleville
4:4	135-2266	1	Decal-Service Aid	17	135-2180	3	Screw, Thumb
5	135-1320	1	Pad, Thigh	18	135-2596	1	Insert, Pad
5:1	135-6556	1	Cover, Pad	19	135-2714	1	Decal-X Logo Badge 3 In
6	135-1611	1	Rod, Prop	20	135-5107	2	Pad, Knee
7	131-8667	2	Washer-Thrust	21	135-7280	1	Decal-Exmark Logo
8	3296-59	2	Nut-Nyloc 3/8-16 Thin	22	135-6809	1	Decal-Staris Logo Lt
9	3234-9	2	Screw-HHF	23	135-6810	1	Decal-Staris Logo Rt

# Drive Wheel Assembly

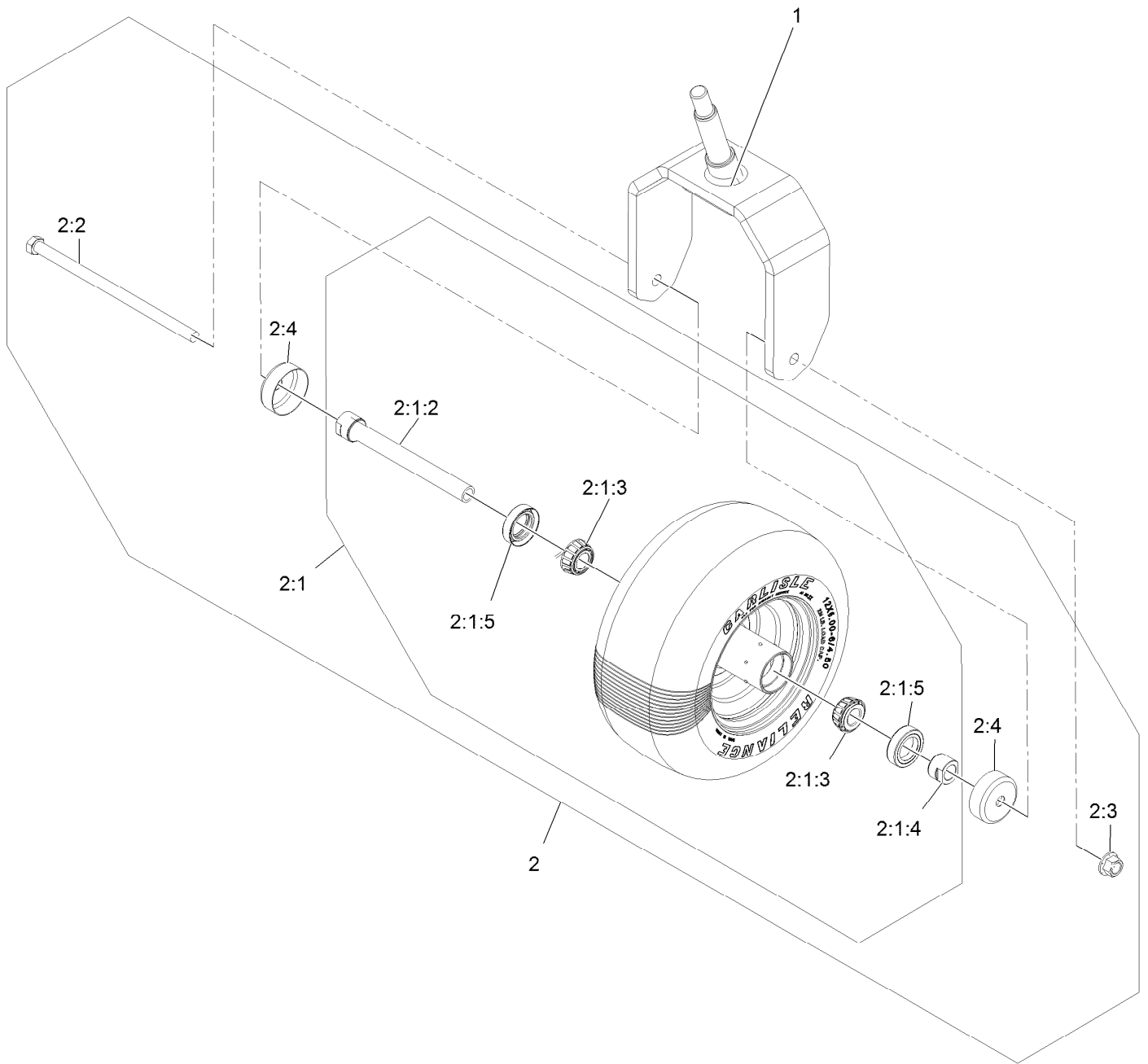


## Drive Wheel Assembly (continued)

<i>Ref.</i>	<i>Part Number</i>	<i>Qty.</i>	<i>Description</i>	<i>Ref.</i>	<i>Part Number</i>	<i>Qty.</i>	<i>Description</i>
1		2	ASM, Caster, 12X6-6●	5	1-633508	6	Washer-Bellville
2	135-2215	2	ASM, Wheel And Tire	6	3296-51	2	Nut-Lock, NI
2:1	135-2216	1	Tire, 23 X 9.50-12	7	103-4882	2	Cap-Grease
2:2	135-2170	1	Rim, 12 X 7	8	116-5647	2	Seal-Grease
2:3	232-27	1	Stem-Valve	9	126-2055	2	Decal-Torque, Wheel Hub Lug
3	242-50	8	Nut-Lug				
4	1-543509	4	Bearing-Roller, Tapered				

● Not serviced separately

# Caster Wheel Assembly

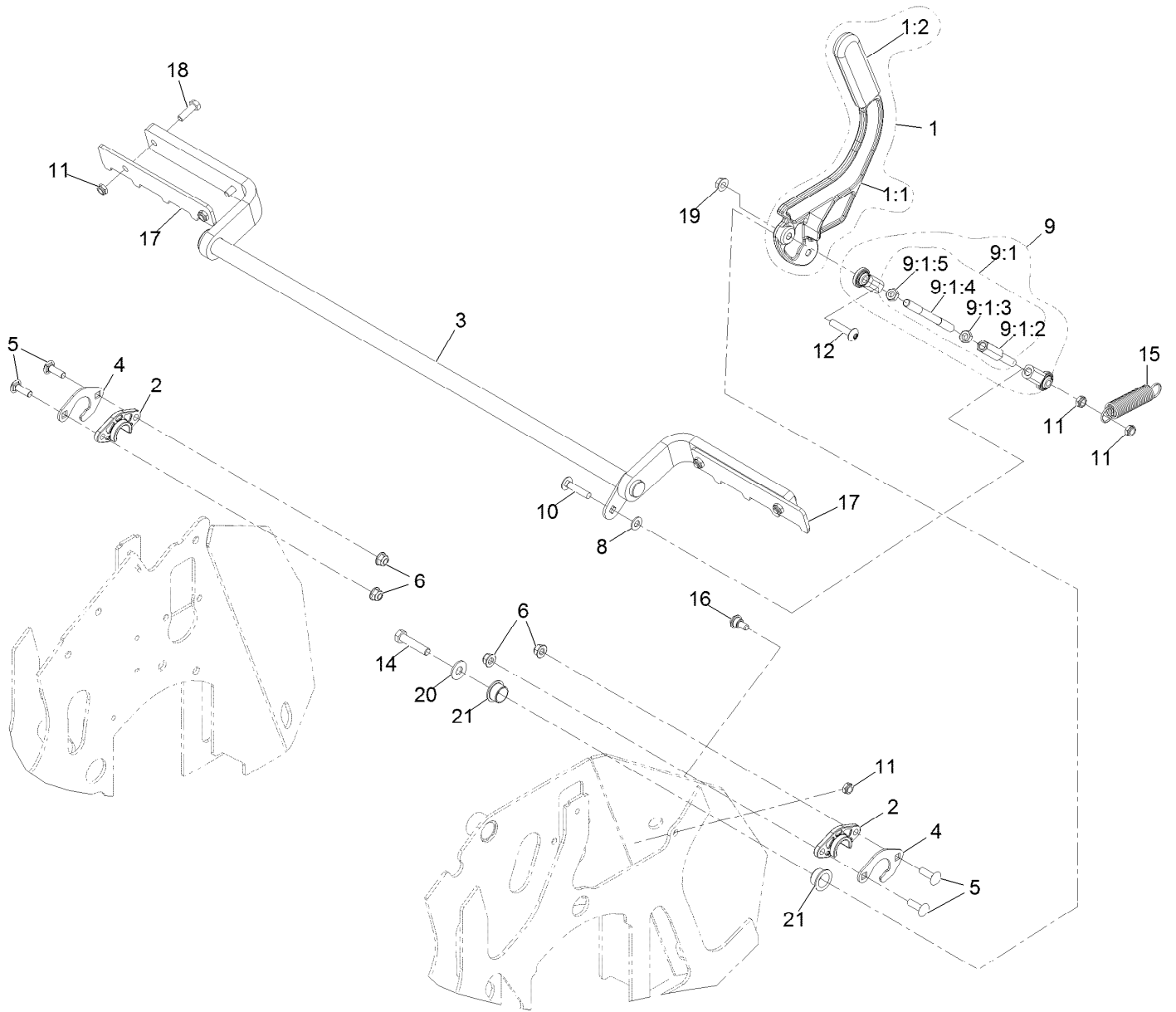


## Caster Wheel Assembly (continued)

<i>Ref.</i>	<i>Part Number</i>	<i>Qty.</i>	<i>Description</i>	<i>Ref.</i>	<i>Part Number</i>	<i>Qty.</i>	<i>Description</i>
1	135-3598-01	1	Weld, Caster Fork	2:1:4	103-3051	1	Spacer-Nut
2	135-2148	1	ASM, Caster W/ Axle	2:1:5	103-0063	2	Seal-Caster
2:1		1	ASM, Caster W/ Bearings ●	2:2	325-39	1	Screw-HH
2:1:2	126-5361	1	Axle Caster ASM	2:3	99-5107	1	Nut-Lock
2:1:3	1-633585	2	Bearing-Cone, Taper	2:4	103-2768	2	Guard-Seal

● Not serviced separately

# Park Brake Assembly

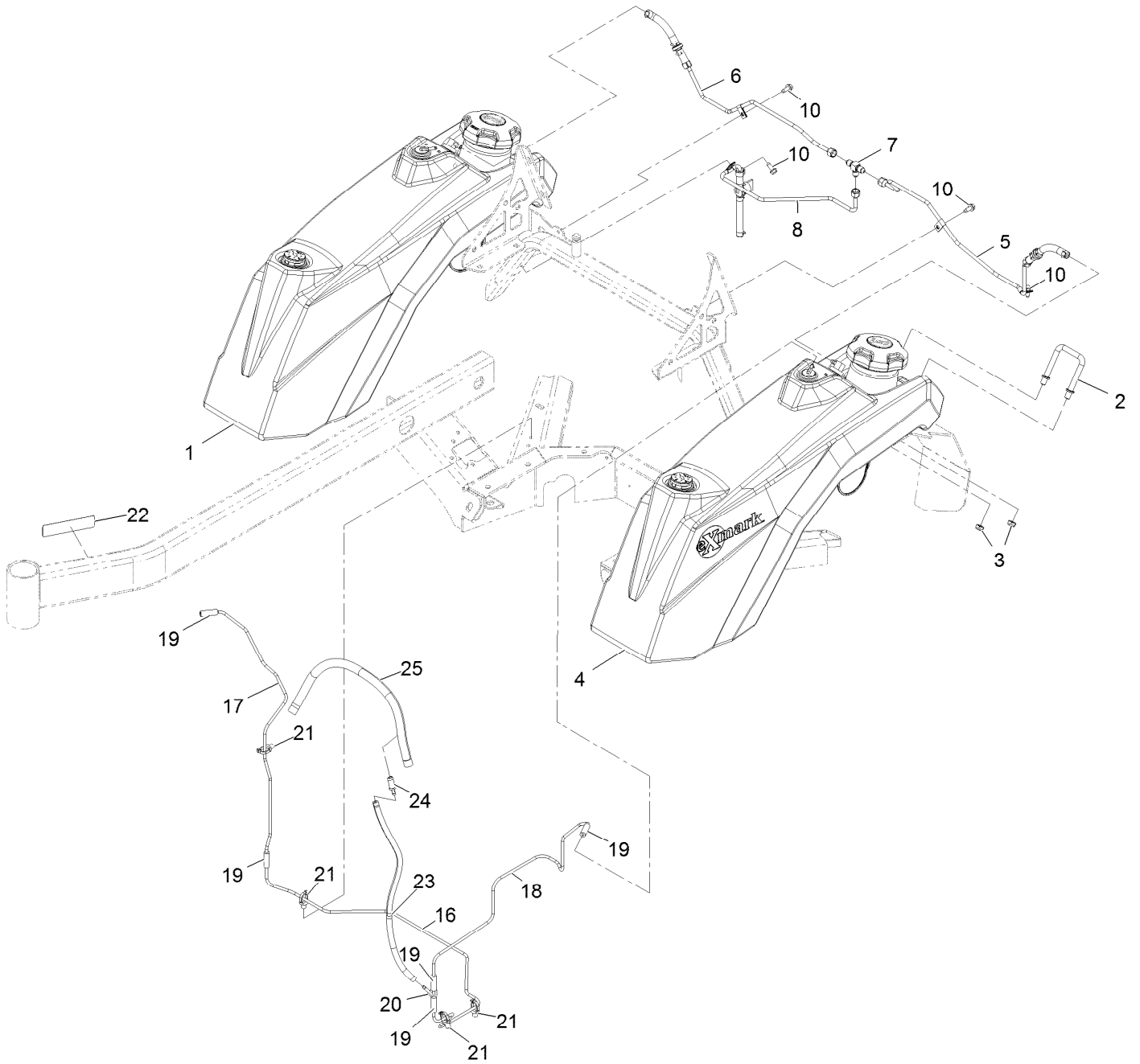


## Park Brake Assembly (continued)

<i>Ref.</i>	<i>Part Number</i>	<i>Qty.</i>	<i>Description</i>	<i>Ref.</i>	<i>Part Number</i>	<i>Qty.</i>	<i>Description</i>
1	135-7092	1	ASM, Brake Lever W/ Grip	9:1:4	135-1291	1	Link, Motion Control
1:1	135-6984-03	1	Weld, Brake Lever	9:1:5	3220-3	1	Nut-HJ
1:2	1-633268	1	Grip-Lever	10	3230-4	1	Bolt-CARR
2	115-5065	2	Bushing-Flange	11	3296-47	7	Nut-Lock, NI
3	135-1189-03	1	Weld, Brake Shaft	12	126-7439	1	Screw-Torx
4	135-7867	2	Support, Bearing	14	323-52	1	Screw-HH
5	3230-22	4	Screw-CARR	15	1-323161	1	Spring-Idler
6	104-8300	4	Nut-HF, NI	16	120-9471	1	Bolt-Shoulder
8	3256-23	1	Washer-Plain	17	135-6577-03	2	Plate, Snubber
9	135-7116	1	ASM, Linkage	18	322-5	4	Screw-HH
9:1		1	ASM, Motion Control Link ●	19	32128-25	1	Nut-HF
9:1:2	116-4755	1	Rod-Adjustment	20	3256-4	1	Washer-Flat
9:1:3	3220-16	1	Nut-Hex Jam, LH	21	135-7091	2	Bushing, Igus

● Not serviced separately

# Fuel Assembly

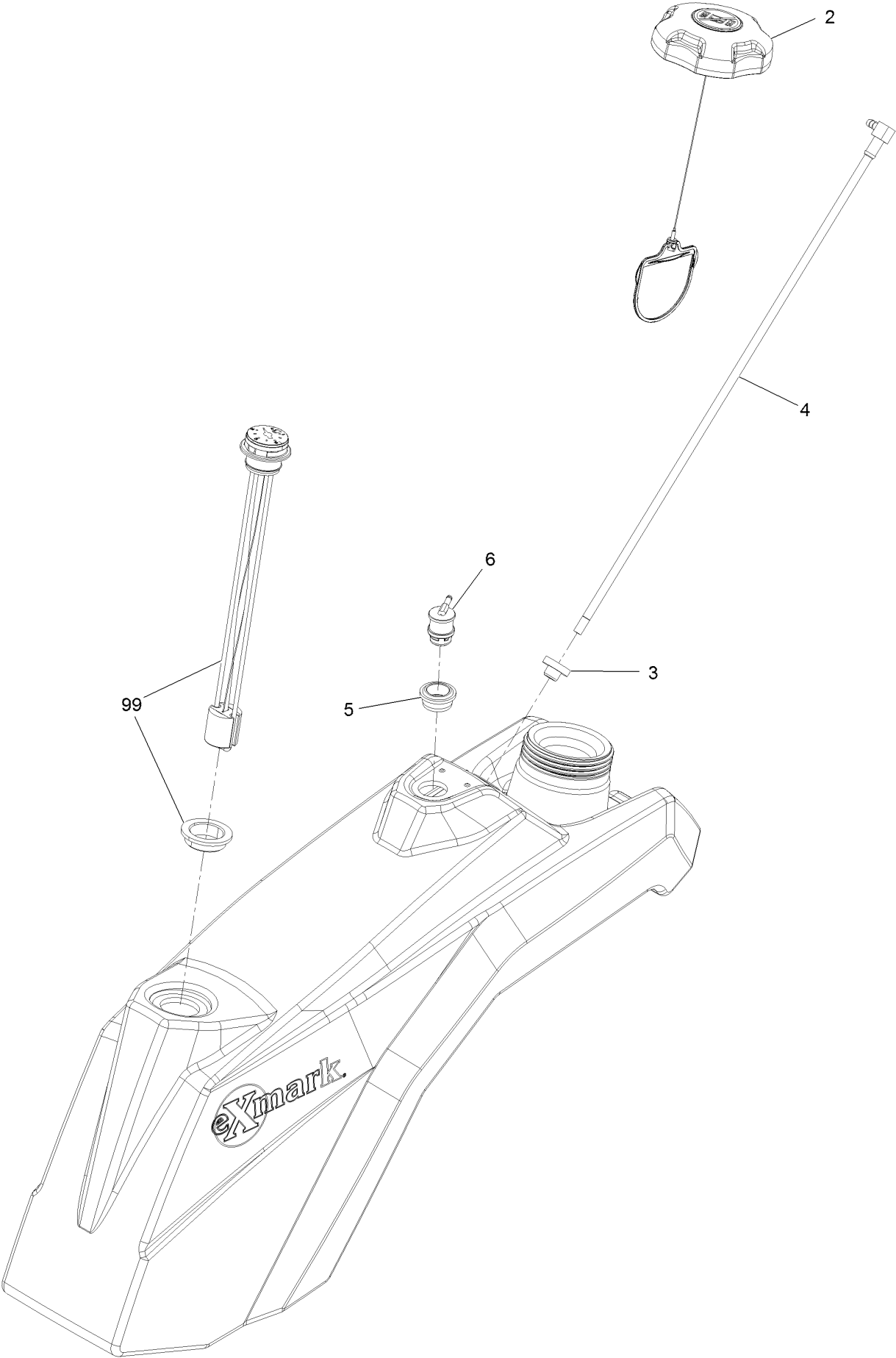




## Fuel Assembly (continued)

<i>Ref.</i>	<i>Part Number</i>	<i>Qty.</i>	<i>Description</i>	<i>Ref.</i>	<i>Part Number</i>	<i>Qty.</i>	<i>Description</i>
1	135-2227	1	ASM, Rt Fuel Tank	17	135-2221	1	Line, Vent, Right
2	135-7299	2	Clamp, Tank	18	135-7097	1	Line, Vent, Left
3	3296-59	4	Nut-Nyloc 3/8-16 Thin	19	51-3216	5	Hose-Fuel
4	135-2225	1	ASM, Lt Fuel Tank	20	135-2222	1	Fitting, 3/16" Y
5	135-2197	1	ASM, Left Fuel Line	21	32180-030	4	Clip-Tie
6	135-2198	1	ASM, Right Fuel Line	22	133-8062	1	Decal-Arrestor, Spark
7	135-2203	1	Fitting, 2603-4-4-4	23	135-3950	1	Hose, Vent
8	135-2199	1	ASM, Kaw Fuel Line	24	98-2952	1	Fitting-Straight
10	32144-10	5	Screw-HWH 1/4-20 X .62	25	116-5087	1	Hose-Fuel
16	135-2219	1	Line, Vent, Main				

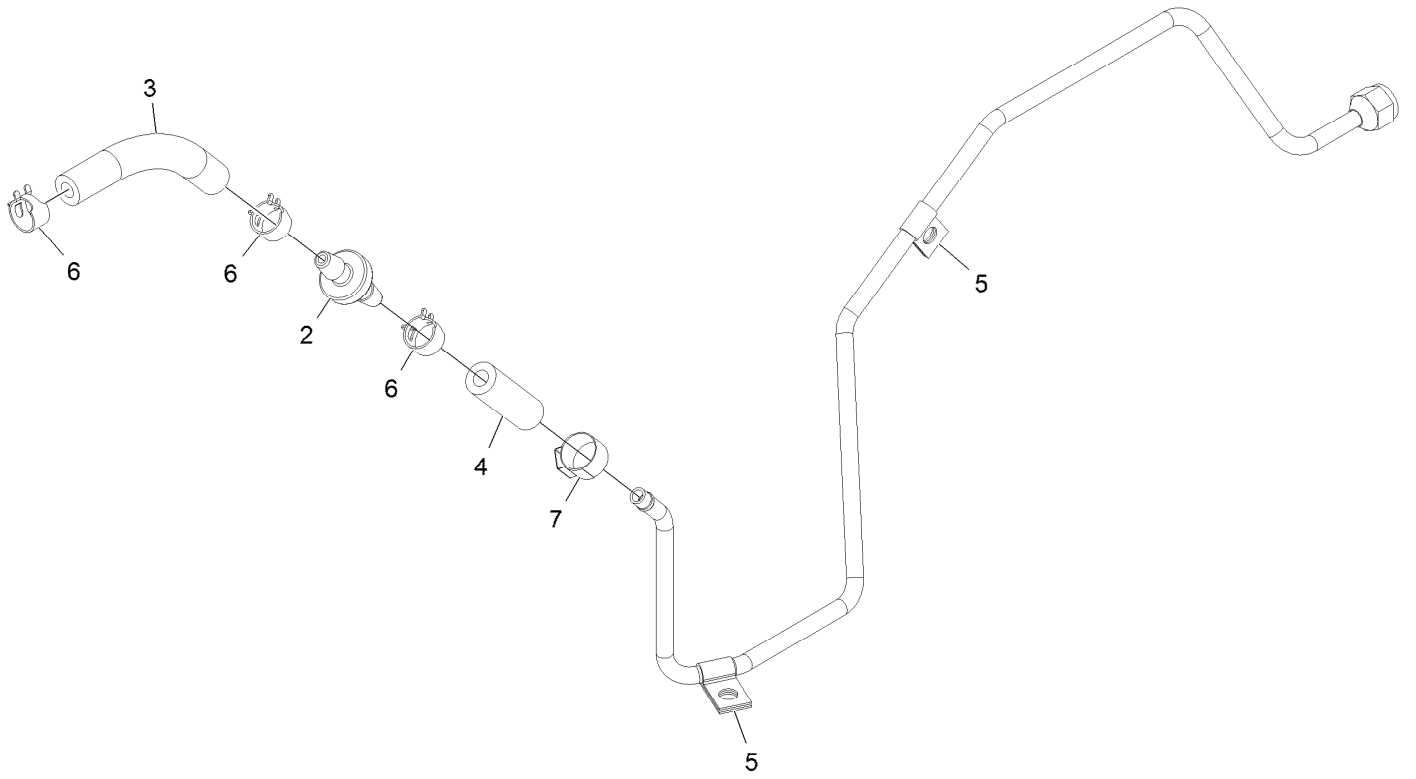
# Left and Right Fuel Tank Assembly



## Left and Right Fuel Tank Assembly (continued)

<i>Ref.</i>	<i>Part Number</i>	<i>Qty.</i>	<i>Description</i>	<i>Ref.</i>	<i>Part Number</i>	<i>Qty.</i>	<i>Description</i>
2	137-4119	1	Cap-Fuel, Ratcheting	5	114-0284	1	Grommet
3	46-6560	1	Bushing	6	119-3547	1	Valve-Vent, Fuel
4	135-1916	1	Straw, Fuel, Short	99	135-3987	1	Kit, Fuel Gauge

# Left Fuel Line Assembly

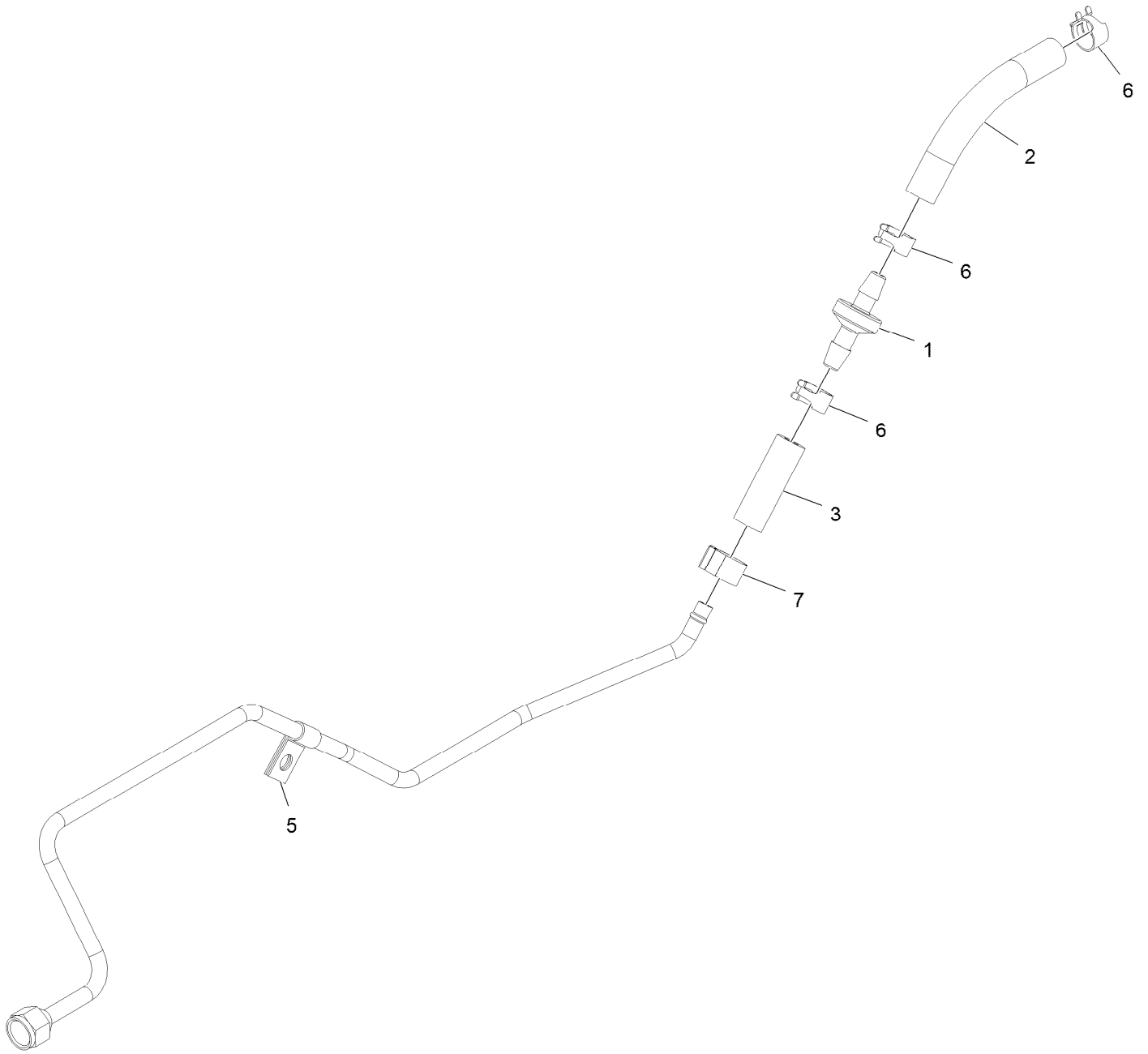


## Left Fuel Line Assembly (continued)

<i>Ref.</i>	<i>Part Number</i>	<i>Qty.</i>	<i>Description</i>	<i>Ref.</i>	<i>Part Number</i>	<i>Qty.</i>	<i>Description</i>
2	99-5000	1	Valve-Check, Fuel	5	2412-72	2	Clip-Closed, Insulated
3	105-8342	1	Hose-Fuel	6	2412-98	3	Clamp-Hose
4		1	Hose-Fuel ●	7		1	Clamp-Hose, Fuel ●

● Not serviced separately

# Right Fuel Line Assembly

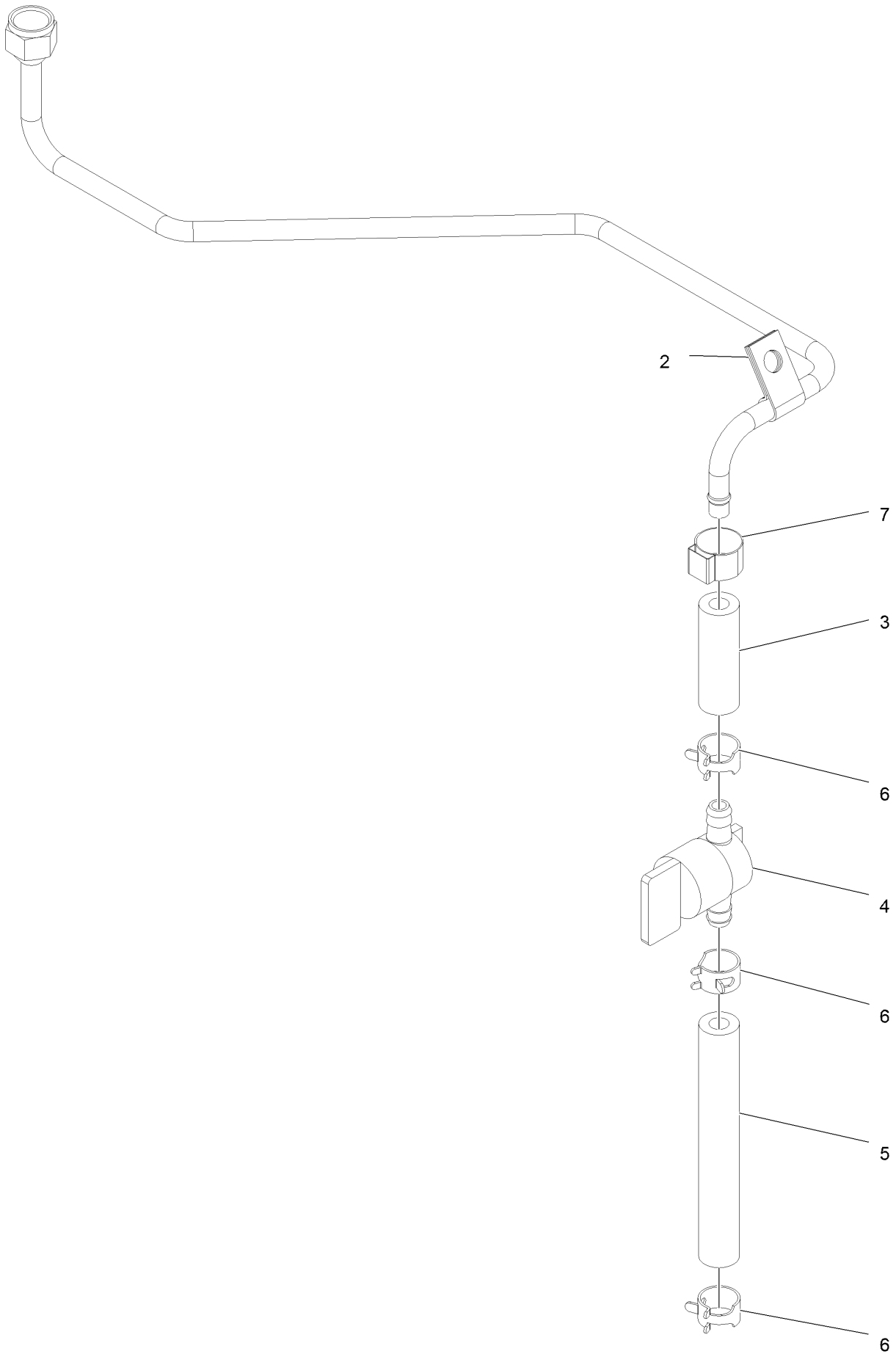


## Right Fuel Line Assembly (continued)

<i>Ref.</i>	<i>Part Number</i>	<i>Qty.</i>	<i>Description</i>	<i>Ref.</i>	<i>Part Number</i>	<i>Qty.</i>	<i>Description</i>
1	99-5000	1	Valve-Check, Fuel	5	2412-72	1	Clip-Closed, Insulated
2	105-8342	1	Hose-Fuel	6	2412-98	3	Clamp-Hose
3		1	Hose-Fuel ●	7		1	Clamp-Hose, Fuel ●

● Not serviced separately

# Fuel Line Assembly



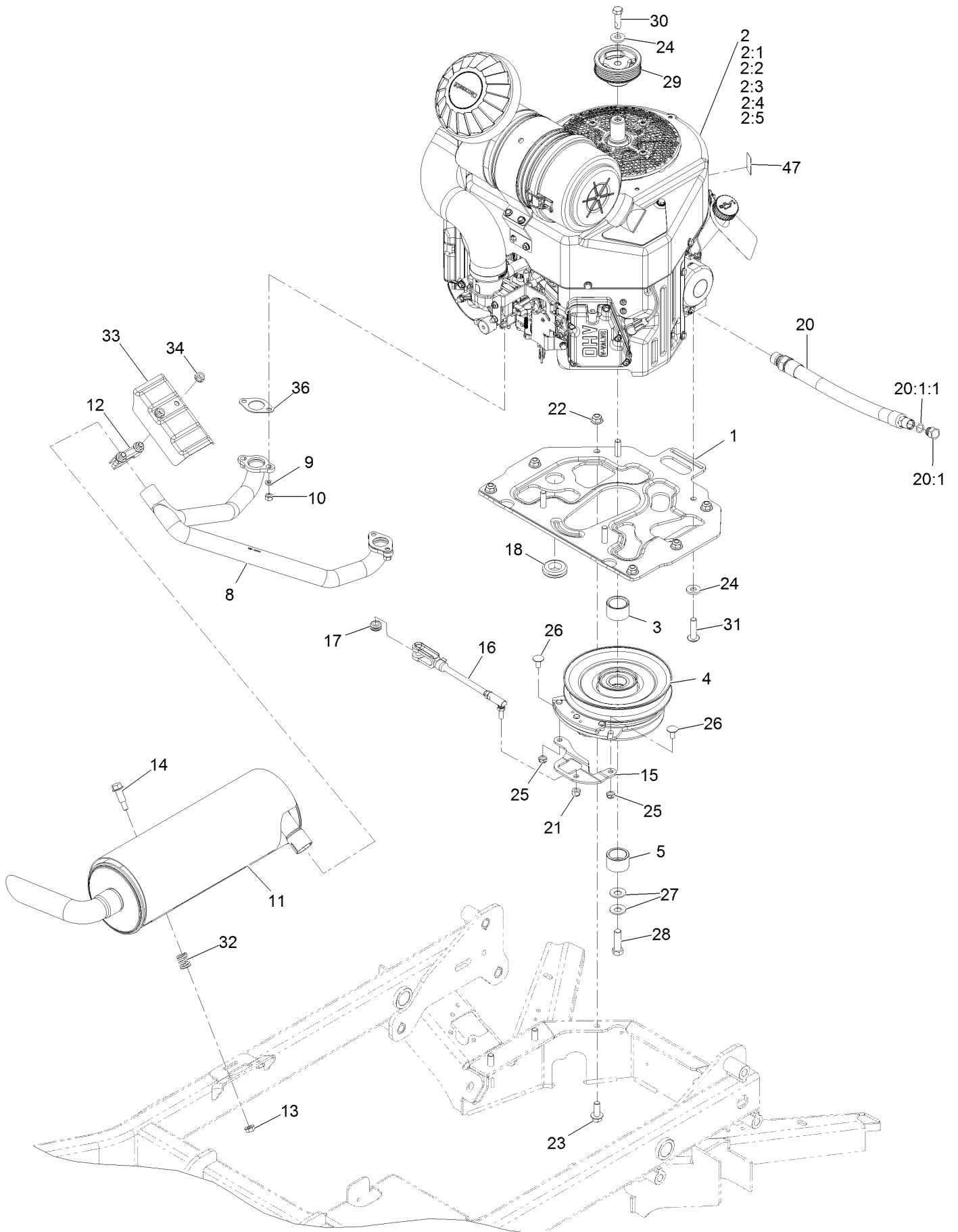


## Fuel Line Assembly (continued)

<i>Ref.</i>	<i>Part Number</i>	<i>Qty.</i>	<i>Description</i>	<i>Ref.</i>	<i>Part Number</i>	<i>Qty.</i>	<i>Description</i>
2	2412-72	1	Clip-Closed, Insulated	5	109-0660	1	Hose-Fuel
3		1	Hose-Fuel ●	6	2412-98	3	Clamp-Hose
4	1-603770	1	Valve-Fuel	7		1	Clamp-Hose, Fuel ●

● Not serviced separately

# Engine Assembly



## Engine Assembly (continued)

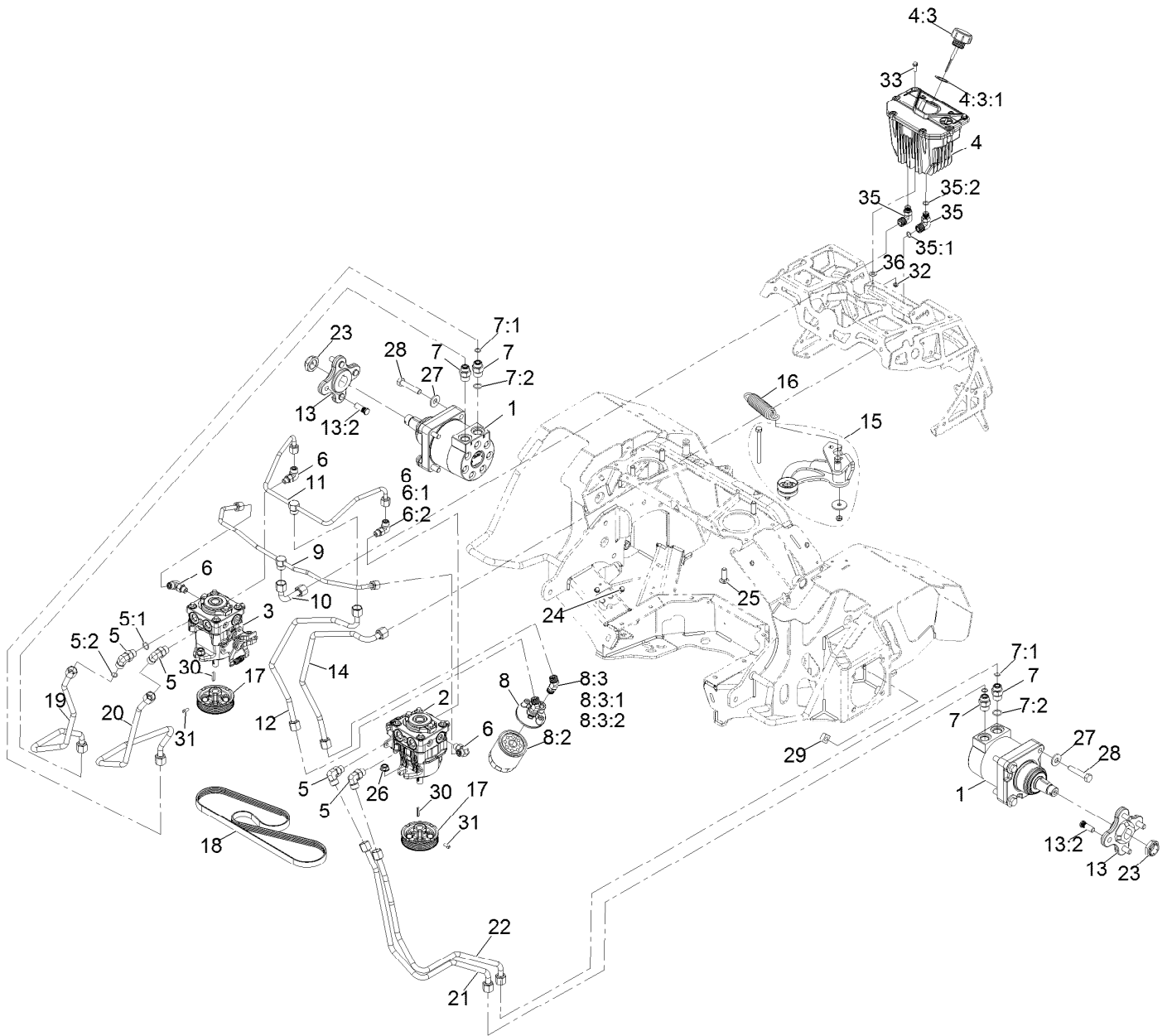
<i>Ref.</i>	<i>Part Number</i>	<i>Qty.</i>	<i>Description</i>	<i>Ref.</i>	<i>Part Number</i>	<i>Qty.</i>	<i>Description</i>
1	135-1615-03	1	Plate, Engine	16	126-0620	1	ASM, Clutch Anchor
2		1	Engine, Kawasaki Fx730 ■	17	237-136	1	Grommet
2:1		1	Kawasaki 49065-7007 Engine Oil Filter ■▲	18	1-543286	1	Grommet
2:2		1	Kawasaki 49019-0031 Fuel Filter ■▲	20	116-4924	1	Engine Oil Drain Hose ASM
2:3		1	Kawasaki 92070-7004 Plug-Spark Bpr4ES ■▲	20:1	353-508	1	Plug-HH ●
2:4		1	Kawasaki 11013-7045 Pre-Filter ■▲	20:1:1	237-42	1	O-Ring
2:5		1	Kawasaki 11013-7044 Air Filter ■▲	21	3296-4	1	Nut-Lock
3	135-1925	1	Spacer, Clutch	22	104-8301	6	Nut-HF, NI
4	135-5267	1	Clutch	23	3234-42	6	Screw-HHF
5	135-1308	1	Spacer, Clutch	24	98-5975	5	Washer-Belleville
8	135-5094	1	Header, Kawaswaki	25	3296-47	2	Nut-Lock, NI
9	114-3550	4	Washer-Lock	26	3230-18	2	Screw-CARR
10	114-3549	4	Nut	27	1-603610	2	Washer-Spring
11	135-5093	1	Muffler, 5"	28	109-9761	1	Screw-HH
12	104-4090	1	Clamp-Muffler	29	135-1198	1	Pulley, Crank
13	32128-25	2	Nut-HF	30	135-7890	1	Screw-HH, Patch,
14	130-2344	2	Bolt-Shoulder	31	126-0983	4	Screw-BHTF
15	135-1589	1	Strap, Clutch	32	135-6667	2	Spring, Compression
				33	135-6366	1	Shield, Heat
				34	32128-25	2	Nut-HF
				36	1-653313	2	Gasket-Exhaust
				47	135-6844	1	Decal-10W-50 Oil

● Torque to 24-26 ft-lb

▲ Obtain parts from [www.kawpowerepc.com](http://www.kawpowerepc.com)

■ Not serviced separately

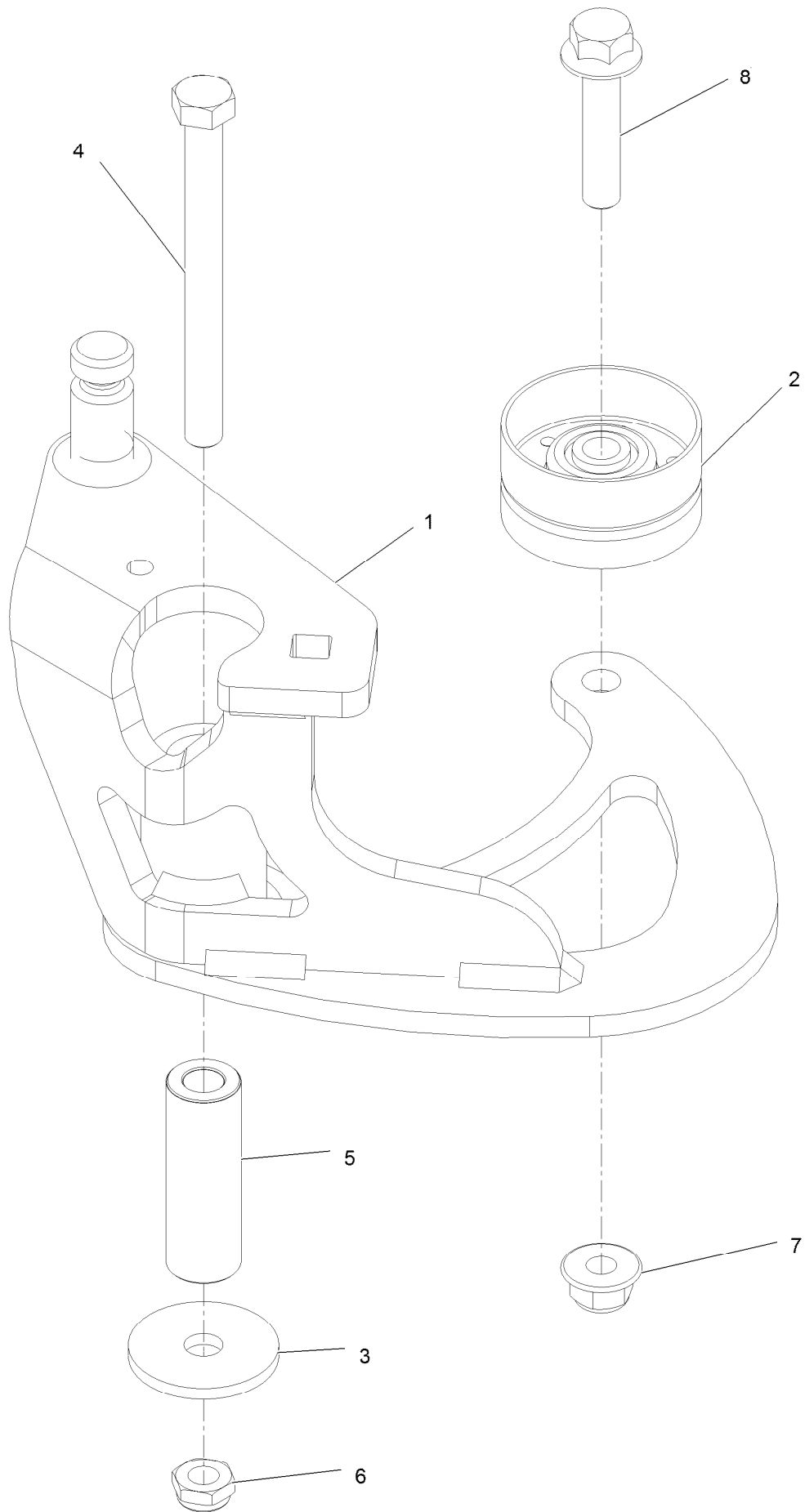
# Hydraulic Assembly



## Hydraulic Assembly (continued)

<i>Ref.</i>	<i>Part Number</i>	<i>Qty.</i>	<i>Description</i>	<i>Ref.</i>	<i>Part Number</i>	<i>Qty.</i>	<i>Description</i>
1	135-1162	2	Motor, T1195	14	135-7052	1	Line, Hydraulic, Supply
2	135-1926	1	Pump, 12Cc	15	135-1270	1	ASM, Idler Arm
3	135-1927	1	Pump, 12Cc	16	135-1272	1	Spring, Extension
4	135-3305	1	ASM, Hydraulic Reservoir	17	135-1197	2	Pulley, Pump
4:3	116-9273	1	Reservoir Cap ASM	18	135-1196	1	Belt, Pvk5
4:3:1	103-1949	1	Gasket-Cap	19	135-3151	1	Line, Hydraulic, B-A
5	340-98	4	Fitting-Elbow, 90 DEG	20	135-3152	1	Line, Hydraulic, A-B
5:1	237-79	1	O-Ring	21	135-3153	1	Line, Hydraulic, B-B
5:2	237-30	1	O-Ring	22	135-3154	1	Line, Hydraulic, A-A
6	340-77	4	Fitting-Elbow, 90 DEG	23	116-1399	2	Locknut
6:1	237-22	1	O-Ring	24	119-1065	2	Screw-HWH
6:2	237-42	1	O-Ring	25	3232-3	4	Bolt-Carriage 7/16-14 X 1 1/2
7	340-6	4	Fitting-Straight	26	114-8417	4	Nut-HF, NI
7:1	237-30	1	O-Ring	27	1-513435	8	Washer-Spring Disc 1/2
7:2	237-80	1	O-Ring	28	325-10	8	Screw-HH 1/2-13 X 2 1/2
8	135-2179	1	ASM, Filter Head	29	3290-510	8	Nut-Square
8:2	109-4180	1	Element, Oil Filter	30	135-7971	2	Key, 5Mm X 5Mm X 29Mm
8:3	340-96	2	Adapter	31	3241-7	4	Screw-SQH
8:3:1	237-30	1	O-Ring	32	3296-56	2	Nut-Nyloc 1/4-20 Thin
8:3:2	237-42	1	O-Ring	33	32105-15	2	Screw-Machine 1/4-20 X 3/4
9	135-7056	1	Line, Hydraulic, Case Tee	35	340-99	2	Fitting-HYD, 90 DEG
10	135-7054	1	Line, Hydraulic, Case	35:1	237-30	1	O-Ring
11	135-7055	1	Line, Hydraulic, Charge Tee	35:2	237-42	1	O-Ring
12	135-7053	1	Line, Hydraulic, Charge	36	73-0041	2	Washer-Thrust
13	135-2214	2	ASM, Hub W/ Studs				
13:2	116-1696	4	Stud-Wheel				

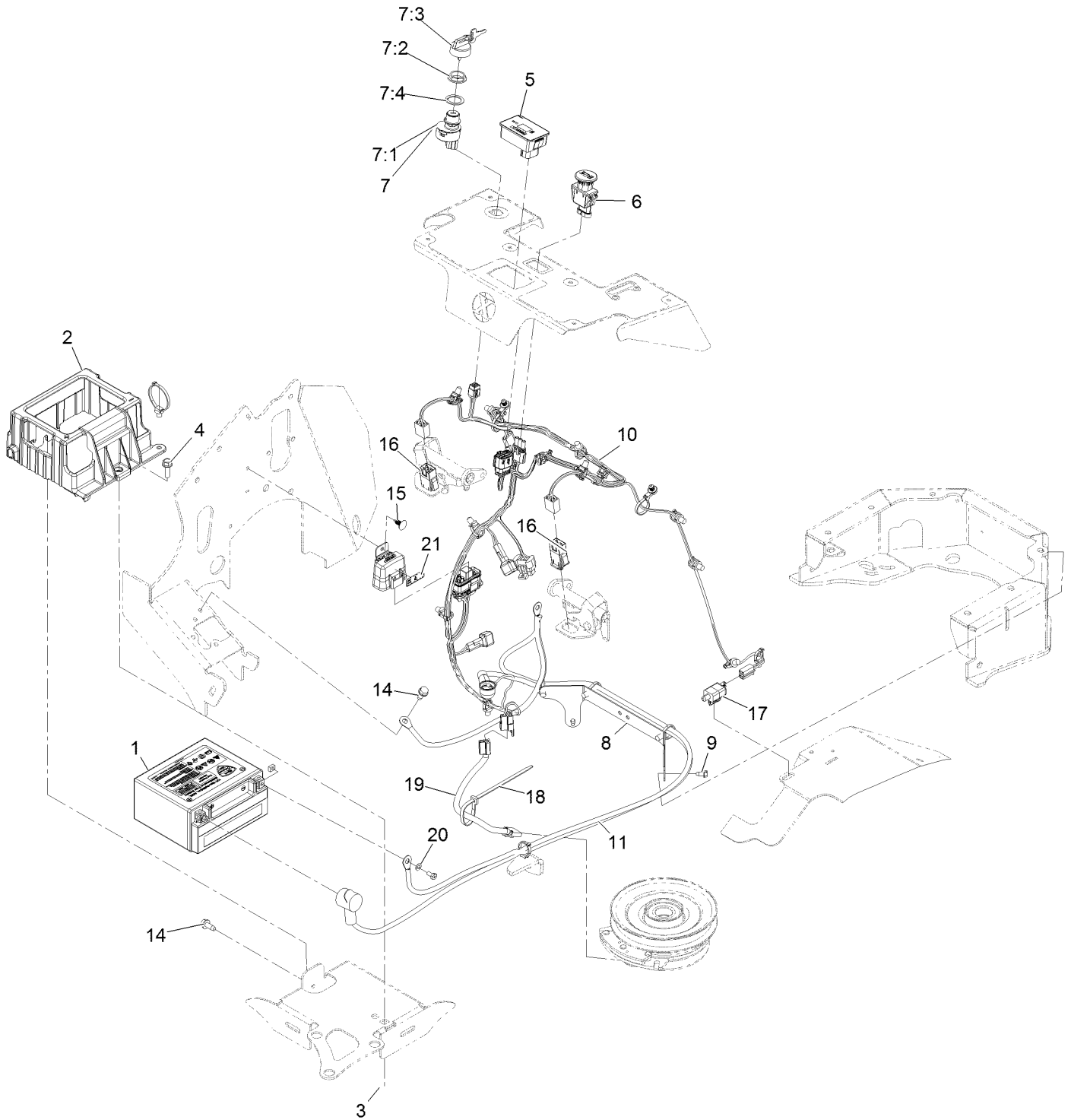
# Idler Arm Assembly



## Idler Arm Assembly (continued)

<i>Ref.</i>	<i>Part Number</i>	<i>Qty.</i>	<i>Description</i>	<i>Ref.</i>	<i>Part Number</i>	<i>Qty.</i>	<i>Description</i>
1	135-2238	1	ASM, Idler Arm W/ Bushings	5	135-1273	1	Tube, Idler Pivot
2	135-1199	1	Idler, Flat	6	3296-59	1	Nut-Nyloc 3/8-16 Thin
3	1-213069	1	Washer	7	104-8301	2	Nut-Nyloc 3/8-16 Flg
4	323-16	1	Screw-HH 3/8-16 X 4	8	3234-19	1	Screw-HHF 3/8-16 X 1 3/4

# Electrical Assembly





## Electrical Assembly (continued)

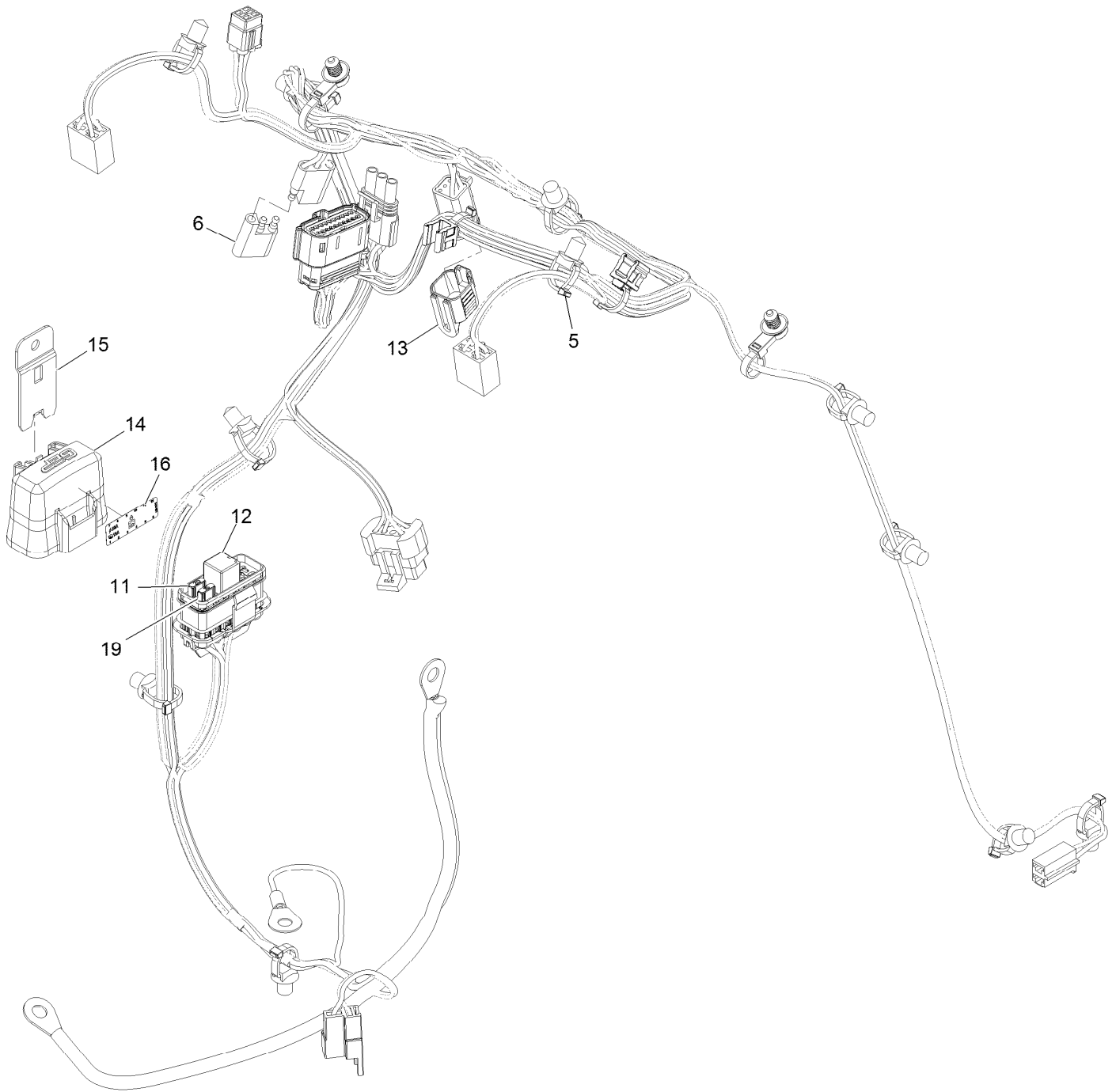
<i>Ref.</i>	<i>Part Number</i>	<i>Qty.</i>	<i>Description</i>	<i>Ref.</i>	<i>Part Number</i>	<i>Qty.</i>	<i>Description</i>
1	135-4421	1	Battery, Agm, Non-Spillable	10	135-2021	1	Harness-Wiring ▲
2	135-4422	1	Hold Down, Battery	11	135-2126	1	Harness-Battery
3	135-4473	1	Nut, Snap	14	32144-11	1	Screw-HWH 5/16-18 X 3/4 Tf
4	3234-29	1	Screw-HH Flg 5/16-18 X 1	15	117-2382	1	Plug-Plastic
5	135-2471	1	Meter-Hour	16	104-3338	2	Switch-Delta
6	126-6187	1	Switch-PTO, Sealed	17	110-6765	1	Switch
7	126-6285	1	Ignition Switch ASM	18	1-303335	1	Tie-Cable 7 15/16 (Large)
7:1		1	Switch-Ignition ■	19	109-9274	1	Harness-Clutch
7:2	108-8660	1	Nut-Mounting	20	1-303435	2	Washer-Spring Disc 1/4
7:3	106-5270	1	Ignition Key Set	21	126-7875	1	Decal-Fuse
7:4	108-8659	1	Washer-Backup	99	135-7732	1	Hardware Kit, Battery ●
8	135-1924-03	1	Support, Battery Cable				
9	32104-17	2	Screw-HWH 1/4-20 X 1/2 Tap				

● Not illustrated

■ Not serviced separately

▲ Use dielectric grease on all unsealed connectors and terminals only. Do not apply in sealed connectors.

# Harness Assembly



## Harness Assembly (continued)

<i>Ref.</i>	<i>Part Number</i>	<i>Qty.</i>	<i>Description</i>	<i>Ref.</i>	<i>Part Number</i>	<i>Qty.</i>	<i>Description</i>
5	32180-030	12	Clip-Tie	14	32180-176	1	Cover-Block, Fuse
6	32180-197	1	Cap-Plug	15	32180-177	1	Clip-Mounting
11	121-8868	1	Fuse-Mini Blade, 20 Amp	16	126-7875	1	Decal-Fuse
12	126-3991	1	Relay-Micro	19	121-8867	1	Fuse-Mini Blade, 15 Amp
13	32180-156	1	Cap-Plug, 6 Way				

**Notes:**

**Notes:**

**Notes:**



# MAXIMIZE THE PERFORMANCE OF YOUR EXMARK MACHINE.



## EXMARK® PREMIUM ENGINE OIL

Exmark now offers a family of engine oil viscosities to perform well in any environment. Each viscosity has the same synthetic formulation to give you what you need in punishing conditions. We designed each grade to the highest quality, making it ideal even for diesel applications. Coupled with Exmark Premium Fuel Treatment, we have the performance products to make your machine hum.

### EXMARK PREMIUM ENGINE OIL SAE 30/10W-30

- Meets zero shear requirements of a straight grade SAE 30 as well as the cold temp properties of a 10W-30.
- Most versatile oil in the industry.
- Superior corrosion protection over conventional oil - even in corrosive, humid environments.

### EXMARK PREMIUM ENGINE OIL SAE 20W-50

- Perfect for your big block engine, or any application in severe service.
- Same full synthetic formulation as all other Exmark Premium viscosities.
- Also effective for use in severe service small block engines.

### EXMARK PREMIUM ENGINE OIL SAE 10W-50

- Full synthetic formulation gives you peak performance. Don't settle for less.
- Wide span multi-grade combines easy starting in cold weather with maximum protection in high temperature operation.
- Reduce friction & wear over standard mineral formulations.

### EXMARK PREMIUM ENGINE OIL SAE 0W-40

- The perfect choice for when the weather turns cold or unpredictable, and your Exmark UTV has to perform.
- Commercial quality for severe service.
- Advanced additive package helps prevent corrosion from long-term storage.

### EXMARK PREMIUM ENGINE OIL UTV FORMULATION

- 4-cycle high-temp formulation.
- Heavier viscosity, full synthetic, perfect for your UTV.

### EXMARK PREMIUM UTV EXTREME CONDITIONS GEAR OIL

- SAE 80W-90, designed to keep your UTV performing at its peak.
- Shear stable, hypoid gear lube.
- Includes a premium additive system to combat wear, oxidation, rust & corrosion.

**Available from your local Exmark dealer. Find your closest dealer at [exmark.com](http://exmark.com)**

## EXMARK ACCESSORIES AND OPTIONS\*

### MID-MOUNT RIDING ACCESSORIES AND OPTIONS

CUSTOM RIDE SEAT SUSPENSION SYSTEM	OPERATOR CONTROLLED DISCHARGE
FULL SUSPENSION SEAT	SUN SHADE
DECK LIFT ASSIST KIT	TRASH CONTAINER
HITCH KIT	TURF STRIPER
LIGHT KIT	ULTRA VAC COLLECTION SYSTEM
12V POWER PORT	ULTRA VAC QUICK DISPOSAL SYSTEM
MICRO-MULCH SYSTEM	

### OUT-FRONT RIDING ACCESSORIES AND OPTIONS

CUSTOM RIDE SEAT SUSPENSION SYSTEM	SNOW BLADE
DUAL-TAIL WHEEL	SNOWBLOWER
FLOOR PAN EXTENDER	SUN SHADE
HITCH KIT	TRASH CONTAINER
LIGHT KIT	ULTRA VAC COLLECTION SYSTEM
MICRO-MULCH SYSTEM	ULTRA VAC QUICK DISPOSAL SYSTEM
ROLL OVER PROTECTION SYSTEM (ROPS)	WEATHER CAB

### WALK-BEHIND ACCESSORIES AND OPTIONS

GRASS CATCHER	TURF STRIPER
MICRO-MULCH SYSTEM	STANDON

\*Some accessories and options not available for some models.

Place Model No. and Serial No.  
Label Here (Included in the Literature  
Pack) or Fill in Below

Model No. \_\_\_\_\_

Serial No. \_\_\_\_\_

Date Purchased \_\_\_\_\_

Engine Model No. and Spec. No. \_\_\_\_\_

Engine Serial No. (E/No) \_\_\_\_\_

© 2019 Exmark Mfg. Co., Inc.  
2101 Ashland Ave  
Beatrice, NE 68310  
All Rights Reserved

Part No. 4504-289 Rev. B  
(402) 223-6375  
Fax (402) 223-5489  
Printed in the USA.

