



LAZER Z[®] X-SERIES

Model No. LZX801CKA726C1—Serial No. 404314159 and Up

Picture below may not reflect actual product.



Parts Manual

Ordering Replacement Parts

To order replacement parts, please supply the part number, the quantity, and the description of each part desired.

Understanding Reference Numbers

Each identified part in an illustration has a reference number. The reference number for a part also appears in the parts list, along with other information about the part.

This catalog uses two special reference number formats, one to indicate parts in a service assembly and another to indicate the quantity of a given part in an illustration.

Service Assembly Reference Numbers

Parts in service assemblies have reference numbers in the form a:b. The a represents the reference number of the entire service assembly and the b represents a sequential number unique to each part within the service assembly.

For example, a wheel assembly might be identified by reference number 6, the tire by 6:1, the valve by 6:2, and the wheel by 6:3. When you order the assembly identified by reference number 6, you receive all parts identified by reference numbers 6:1, 6:2, and 6:3. However, you may also order any part individually. Reference numbers of this type appear in illustration and in parts lists.

Reference Numbers Indicating Quantity

In an illustration, if a reference number indicates more than one part, the reference number has the form nX y. The n represents the quantity of the part, the X is the multiplication symbol, and the y represents the reference number.

For example, in an illustration, the reference number 2X 37 means that two of the parts identified by reference number 37 are indicated.

Touch Up Paint

Exmark black touch up spray paint – gloss black.

Exmark red touch up paint (spray paint – P/N 1-850337 - .6 oz liquid bottle – P/N 103-9140).

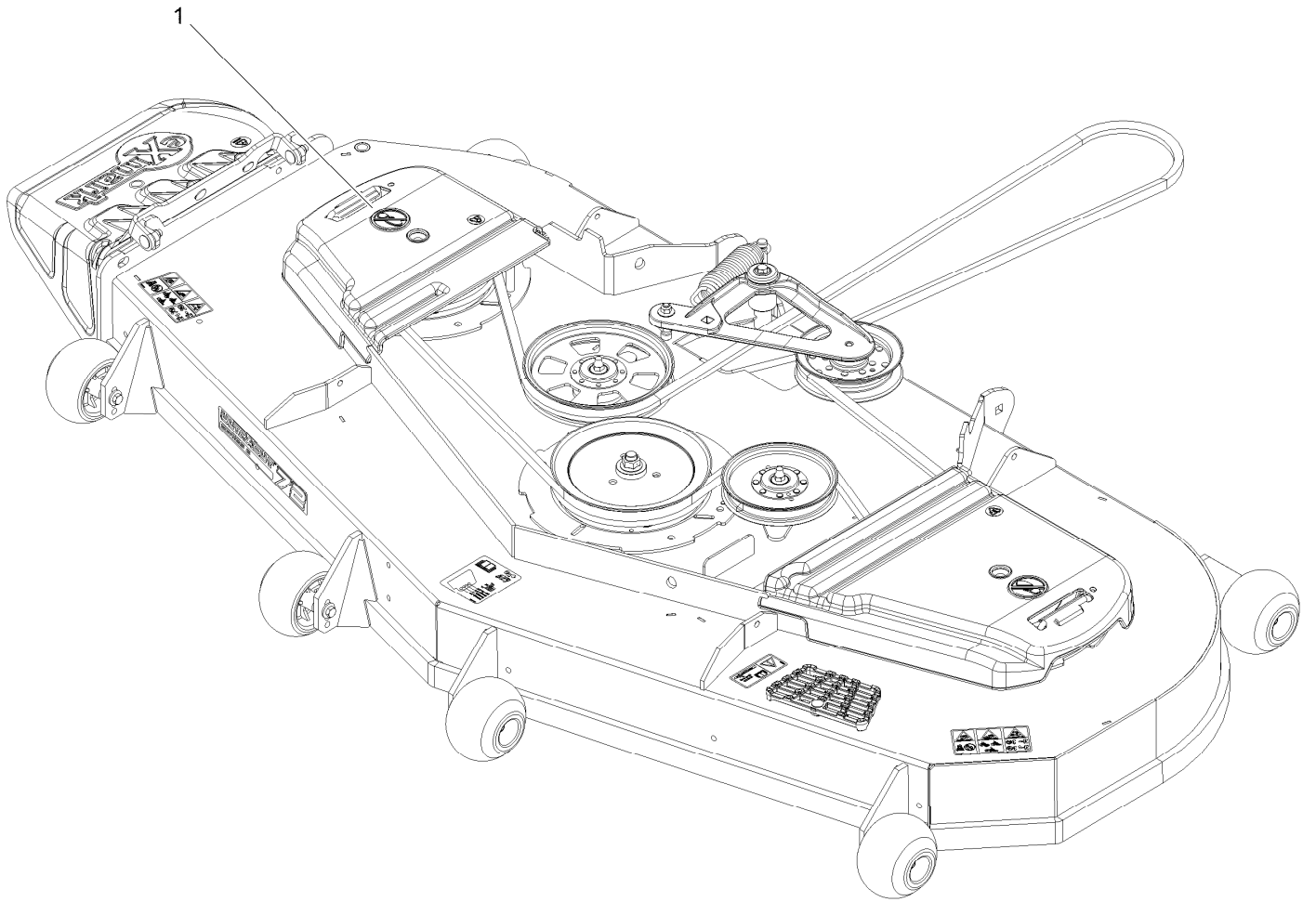


If your Exmark dealer does not have the Exmark part in stock, Exmark will get the parts to the dealer the next business day or the part will be FREE Guaranteed!! (Some restrictions apply. See your participating Exmark Dealer for details.)

Contents

Complete Deck Assembly	4
Deck Assembly	6
Deck W/Decals Assembly No. 116-1665	8
Idler Assembly	10
Cutter Housing Assembly No. 103-9539	12
Main Frame Assembly	14
X-Series Decal	16
Full Suspension Assembly	18
Roll-Over Protection System	20
Roll-Over Protection System Assembly No. 116-0230	22
Front Caster and Fork Assembly	24
Caster Wheel and Fork Assembly	26
Deck Lift Assembly	28
Height-of-Cut Assembly No. 109-7438	30
Rear Wheel Assembly	32
Park Brake Assembly	34
Motion Control Assembly	36
Console Assembly	38
Suspension Seat Assembly	40
Seat W/Tracks Assembly No. 126-5801	42
Fuel Assembly	44
Fuel Tank Assembly (cont.)	46
Engine Assembly	48
Hydraulic Assembly	50
LH Hydro Assembly No. 126-1325	52
RH Hydro Assembly No. 126-1326	54
Pump Idler Assembly No. 116-1255	56
Electrical Assembly	58

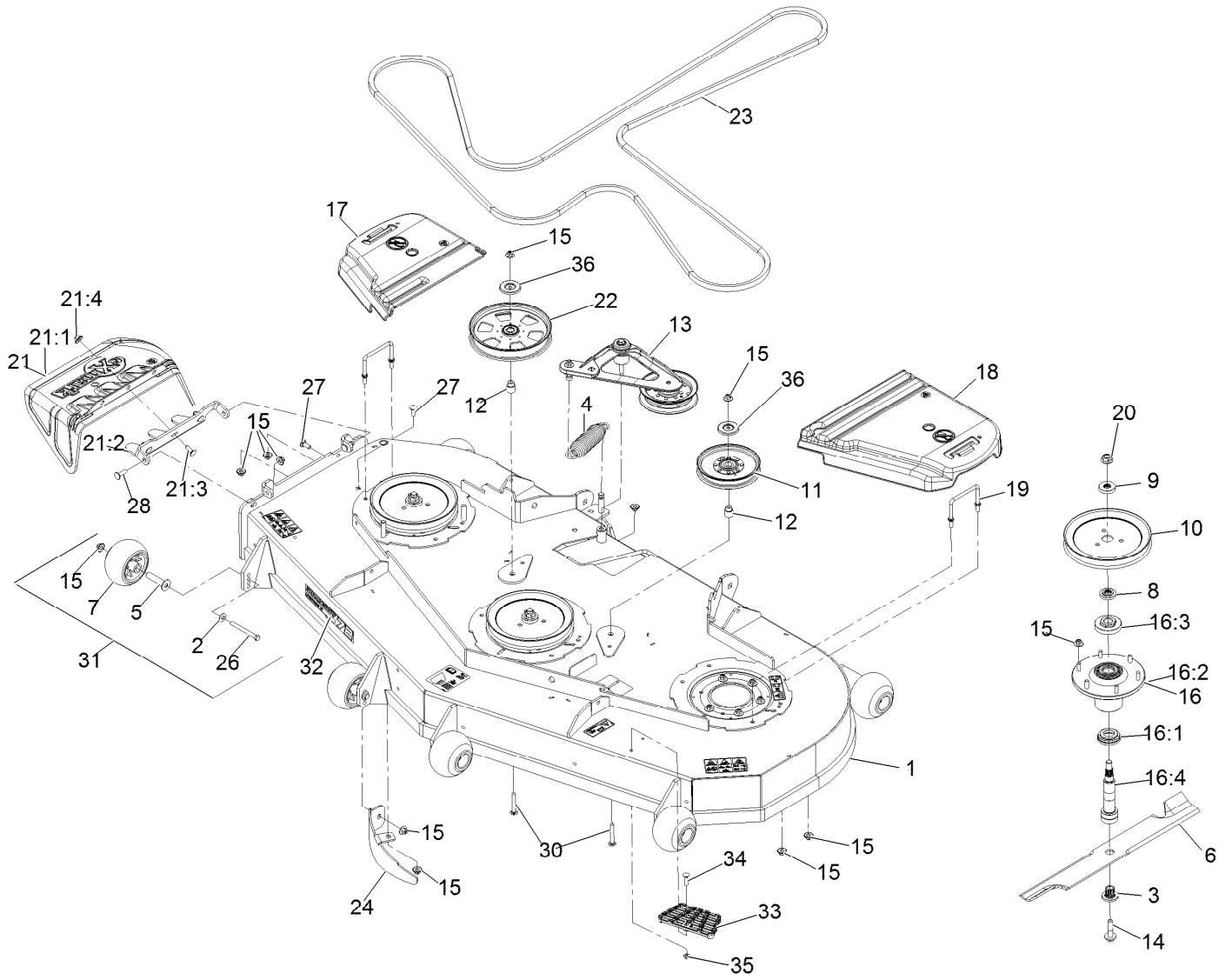
Complete Deck Assembly



Complete Deck Assembly (continued)

<i>Ref.</i>	<i>Part Number</i>	<i>Qty.</i>	<i>Description</i>
1	109-9649	1	Complete Deck ASM-726

Deck Assembly



Deck Assembly (continued)

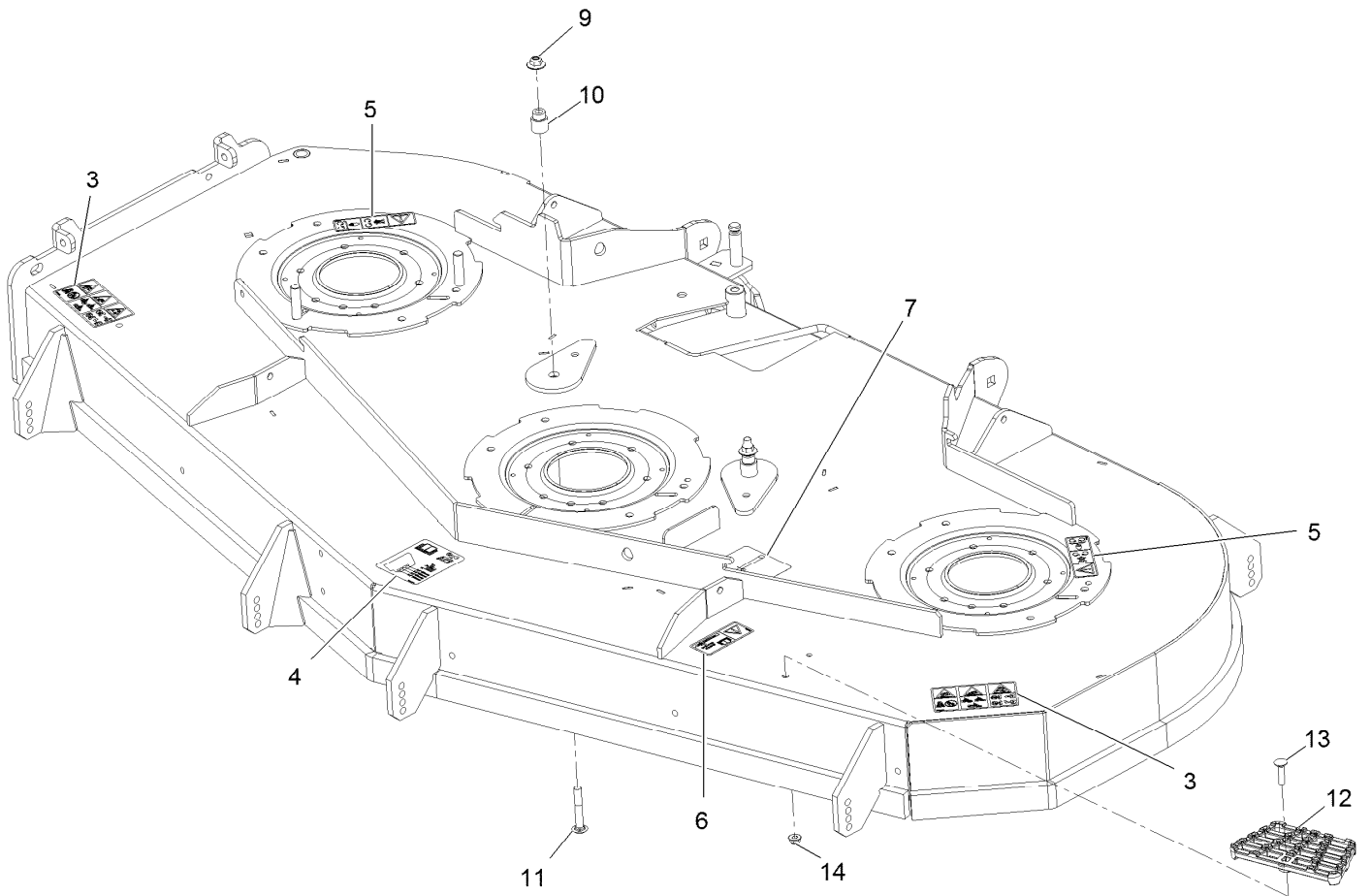
<i>Ref.</i>	<i>Part Number</i>	<i>Qty.</i>	<i>Description</i>	<i>Ref.</i>	<i>Part Number</i>	<i>Qty.</i>	<i>Description</i>
1	116-1665	1	ASM,Deck W/Decals 724	18	109-6938	1	Cover-Belt, LH
2	98-5975	6	Washer-Spring Disc 3/8	19	109-6982	2	Wireform-Cover
3	103-3037	3	Bushing, Splined	20	109-7033	3	Nut-Flange 5/8-18 Centerlock
4	116-6317	1	Spring-Extension	21	109-7188	1	ASM,Discharge Chute
5	116-8131	6	Axle, Roller	21:1	109-2738	1	Chute, Discharge
6	103-6384	3	Blade, Solid (72")	21:2	109-8675-01	1	Bracket,Discharge Chute
6	103-6389	3	Blade, Low Lift (72")	21:3	3231-22	3	Bolt-Carriage 3/8-16 X 1
6	103-6394	3	Blade, Mulching ■	21:4	109-6658	3	Nut-Nyloc 3/8-16 Flg
6	103-6404	3	Blade, Notched (72")	22	116-9639	1	Pulley-Idler, Flat
6	116-5171	3	Blade-Extreme 2, 24.50"	23	135-5777	1	Belt-V
7	103-8415	6	Roller-Anti-Scalp	24	116-5834-01	1	Baffle-Dogleg, Lz72
8	103-9522	3	Spacer, Splined Stepped	26	116-9362	6	Screw-HH 3/8-16 X 3 3/4 GR 8
9	103-9523	3	Spacer, Splined	27	3231-22	2	Bolt-Carriage 3/8-16 X 1
10	109-2180	3	Sheave,Blade Drive 9.00	28	3231-28	2	Bolt-Carriage 3/8-16 X 1 1/4
11	126-7685	1	Idler-Pulley	30	3231-44	2	Bolt-Carriage 3/8-16 X 2 1/2
12	1-633456	2	Bushing, Idler	31	116-9981	6	Kit, Anti-Scalp Roller
13	116-3755	1	Deck Idler ASM	32	126-6593	1	Decal, 726
14	109-9220	3	Screw-Sems 1/2-20 X 2.19	33	126-4781-03	1	Step-Deck
15	109-6658	34	Nut-Nyloc 3/8-16 Flg	34	3230-3	1	Bolt-Carriage 5/16-18 X 1 1/4
16	109-6917	3	ASM,Spindle Housing	35	104-8300	1	Nut-Nyloc 5/16-18 Flg
16:1	103-9504	1	Guard, Bottom	36	126-8043	2	Shield-Dust
16:2	103-9539	1	Asm, Cutter Housing				
16:3	109-0916	1	Nut, Spindle 7/8-14 ●				
16:4	109-6881	1	Spindle,Double Spline ▲				
17	116-0094	1	Cover-Belt, RH				

● Torque to 160-185 ft-lb

■ Requires installation of mulch kit for proper mulching. See your Exmark dealer for details.

▲ Apply Mobil HTS grease (P/N 103-5217 1.5 oz packet) (or a food-grade anti-seize). See operator s manual for locations.

Deck W/Decals Assembly No. 116-1665



Deck W/Decals Assembly No. 116-1665 (continued)

<i>Ref.</i>	<i>Part Number</i>	<i>Qty.</i>	<i>Description</i>	<i>Ref.</i>	<i>Part Number</i>	<i>Qty.</i>	<i>Description</i>
3	126-6464	2	Decal-Danger Thrown Objects	9	109-6658	2	Nut-Flange, NI
4	109-6036	1	Decal-Roller, Anti-Scalp	10	1-633456	2	Bushing, Idler
5	112-9028	2	Decal-Cover, Missing	11	3231-44	2	Screw-CARR
6	116-8283	1	Decal-Bolt Torque	12	126-4781-03	1	Step-Deck
7	116-8727	1	Decal-Belt Routing	13	3230-3	1	Screw-CARR
				14	104-8300	1	Nut-HF, NI

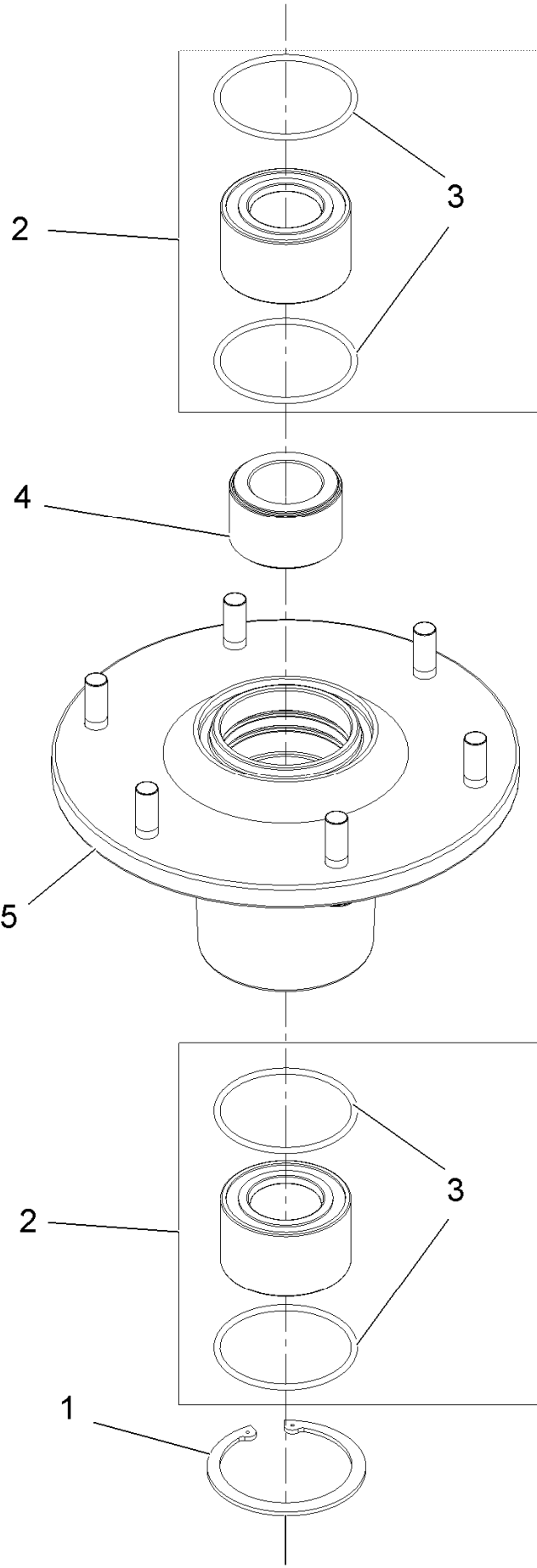
Idler Assembly



Idler Assembly (continued)

<i>Ref.</i>	<i>Part Number</i>	<i>Qty.</i>	<i>Description</i>	<i>Ref.</i>	<i>Part Number</i>	<i>Qty.</i>	<i>Description</i>
1	43-0940	1	Spacer	9	126-0423	1	Pin-Spring, Anchor
2	103-2916	1	Guard-Top	10	109-6658	2	Nut-Flange, NI
3	103-3504	2	Bearing-Spherical	11	109-7409	1	Screw-Shoulder, HH
4	103-3505	1	Seal-Lip, Double	12	323-8	1	Screw-HH
5	103-3506	1	Seal-Lip, Single	13	32120-10	2	Ring-Snap
6	126-9196	1	Idler-Pulley, Flat	14	302-19	1	Fitting-Grease
7	106-7159	2	O-Ring	15	126-9195	1	Shield-Guard, Dust

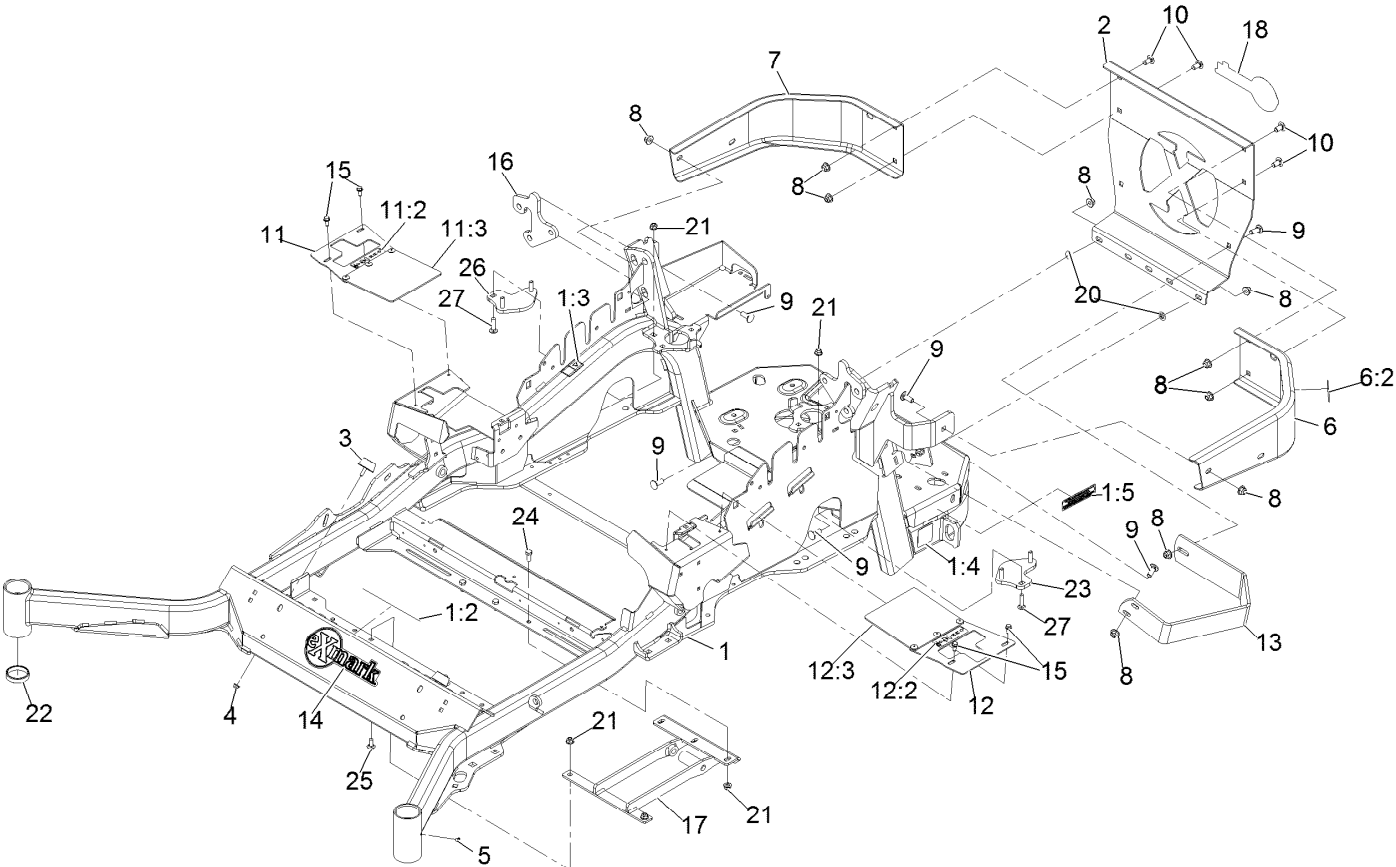
Cutter Housing Assembly No. 103-9539



Cutter Housing Assembly No. 103-9539 (continued)

<i>Ref.</i>	<i>Part Number</i>	<i>Qty.</i>	<i>Description</i>	<i>Ref.</i>	<i>Part Number</i>	<i>Qty.</i>	<i>Description</i>
1	92-5581	1	Ring-Retaining	4	103-9506	1	Spacer, Bearing
2	109-2064	1	Asm, Bearing W/O-Rings	5	109-0764	1	Asm, Housing W/Studs
3	103-5895	4	O-Ring				

Main Frame Assembly



Main Frame Assembly (continued)

<i>Ref.</i>	<i>Part Number</i>	<i>Qty.</i>	<i>Description</i>	<i>Ref.</i>	<i>Part Number</i>	<i>Qty.</i>	<i>Description</i>
1	116-5904	1	Mainframe ASM	12	131-4610	1	LH Motion Control Cover ASM
1:2	106-5517	2	Decal-Warning	12:2	99-8936	1	Decal-Control, Motion
1:3	132-0871	1	Decal-Danger	12:3	136-8967	1	Flap-Rubber
1:4	106-2655	2	Decal-Hazard, Pinched Finger	13	126-2067-03	1	Guard-Muffler
1:5	133-8062	1	Decal-Arrestor, Spark	14	135-2274	1	Decal-Exmark
2	109-8863-03	1	Plate,Rear Guard	15	32144-10	4	Screw-HWH 1/4-20 X .62
3	131-8834	2	Bumper	16	136-1674-01	2	Plate-Mount, Shock
4	104-7201	2	Nut-Nyloc 1/4-20 Flg	17	131-6327-01	1	Mount-Lower
5	1-811010	2	Plug	18	126-6877	1	Decal, Exmark Logo
6	116-0180	1	LH Bumper ASM	20	107-3154	2	Nut-Push 3/8-16
6:2	106-5517	1	Decal-Warning	21	104-8300	7	Nut-Nyloc 5/16-18 Flg
7	116-0057-03	1	Bumper-RH	22	1-543508	4	Cup-Bearing Tapered Roller
8	104-8301	11	Nut-Nyloc 3/8-16 Flg	23	127-6766	1	LH Plate ASM (W/Studs)
9	3231-22	7	Bolt-Carriage 3/8-16 X 1	24	322-3	3	Screw-HH 5/16-18 X 3/4
10	3231-21	4	Bolt-Carriage 3/8-16 X 3/4	25	3230-23	2	Bolt-Carriage 5/16-18 X 3/4 Short Neck
11	131-4615	1	RH Motion Control Cover ASM	26	127-6765	1	RH Plate ASM (W/Studs)
11:2	99-8936	1	Decal-Control, Motion	27	3230-3	2	Bolt-Carriage 5/16-18 X 1 1/4
11:3	136-8967	1	Flap-Rubber				

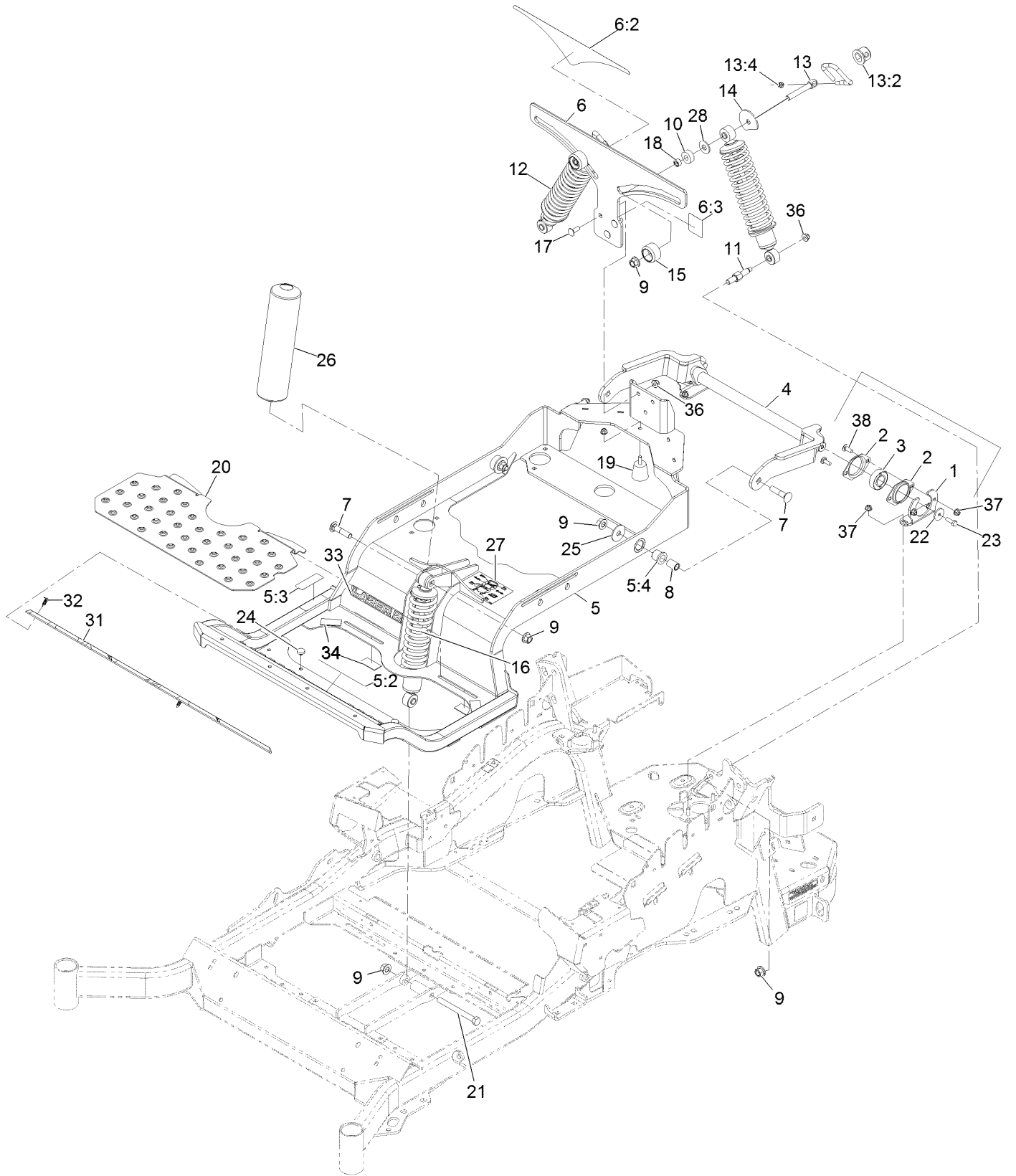
X-Series Decal



X-Series Decal (continued)

<i>Ref.</i>	<i>Part Number</i>	<i>Qty.</i>	<i>Description</i>
1	126-6573	2	Decal-X-Series

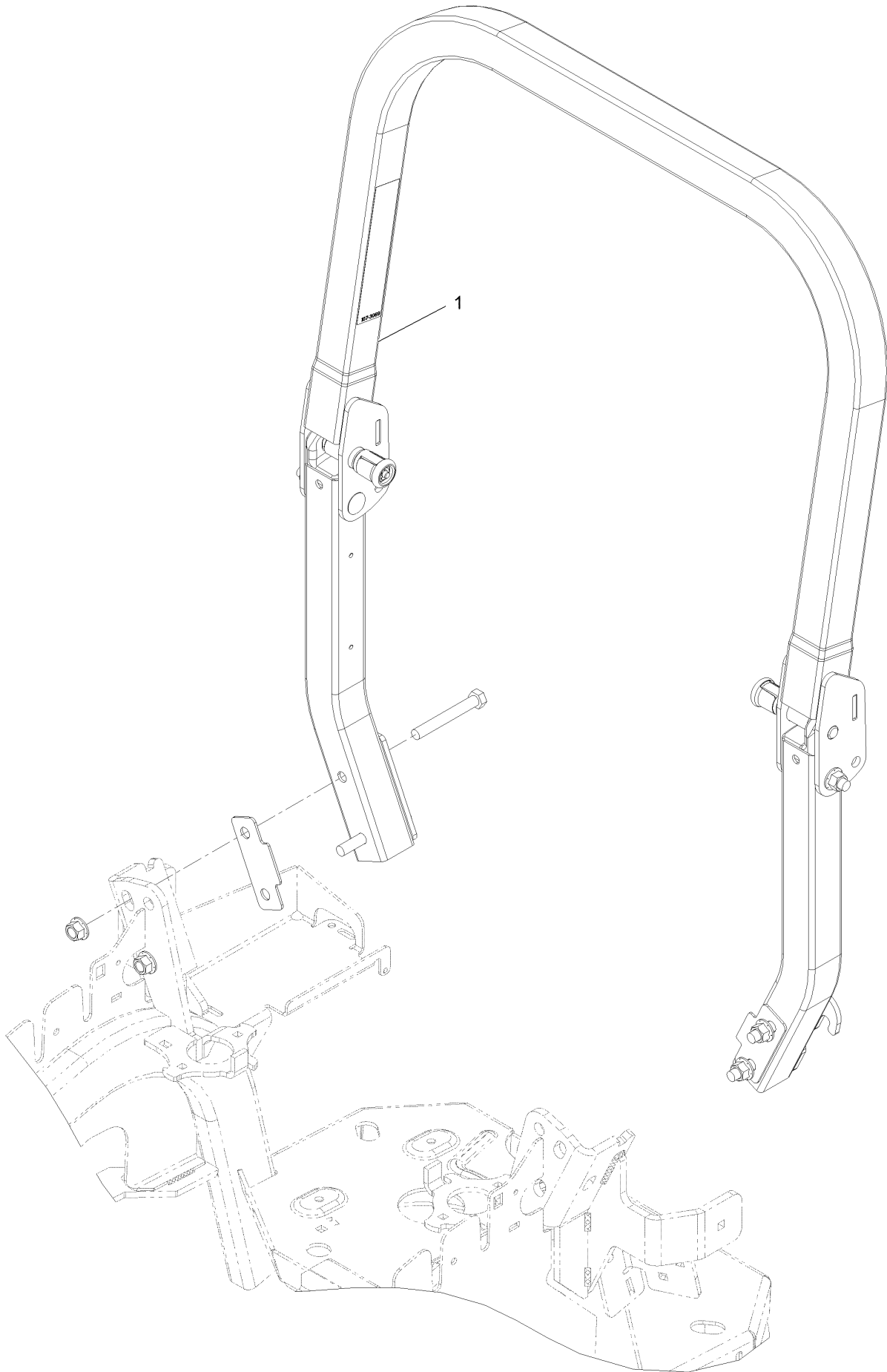
Full Suspension Assembly



Full Suspension Assembly (continued)

<i>Ref.</i>	<i>Part Number</i>	<i>Qty.</i>	<i>Description</i>	<i>Ref.</i>	<i>Part Number</i>	<i>Qty.</i>	<i>Description</i>
1	127-6759-03	2	Bracket-Bearing	16	136-1719	1	Shock ASM-Front
2	127-6743	4	Housing-Bearing, Flange	16	136-8993	1	Shock/Spring ASM
3	1-653346	2	Bearing	17	3231-22	3	Bolt-Carriage 3/8-16 X 1
4	127-6754-03	1	Arm-Trailing	18	47-7270	2	Bearing-Needle
5	132-5057	1	Subframe ASM	19	132-5058	1	Bumper-Rubber
5:2	132-0871	1	Decal-Danger	20	132-5089-01	1	Floorpan
5:3	115-9625	1	Decal-Brake, Parking	21	325-19	1	Screw-HH 1/2-13 X 5
5:4	127-6745	2	Bushing-Flange	22	105-3048	2	Washer-Flat
6	133-1809	1	Bracket-Mounting	23	116-0648	2	Screw-HH 5/16-18 X 1 W/Patch
6:2	132-5080	1	Decal-Adjustment, Ride	24	1-513658	2	Bumper
6:3	132-5063	1	Decal-Lock, Cam	25	86-1990	2	Washer
7	127-6768	3	Bolt-Carriage 1/2-13 X 2 1/4	26	133-1803	1	Cover-Shock
8	127-6751	2	Spacer-Aluminum	27	114-4465	1	Decal-Service Aid
9	99-5107	8	Nut-Lock 1/2-13	28	3256-6	2	Washer
10	131-8801	2	Spacer	31	133-1812	1	Floor Mat
11	131-6348	2	Bolt-Shoulder	32	117-2382	2	Plug-Plastic
12	133-1815	2	Shock/Spring ASM	33	133-1804	1	Decal-Lazer Logo
13	131-8843	2	Cam Lock ASM	34	130-0733	4	Pad-Rubber
13:2	107-1644	1	Cap-Lock	36	104-8301	5	Nut-Nyloc 3/8-16 Flg
13:4	119-4038	1	Nut-Hex Nyloc 5/16-18	37	104-8300	9	Nut-Nyloc 5/16-18 Flg
14	131-4646	2	Plate-Stop	38	3230-10	4	Bolt-Carriage 5/16-18 X 7/8
15	131-4647	2	Knob-Front				

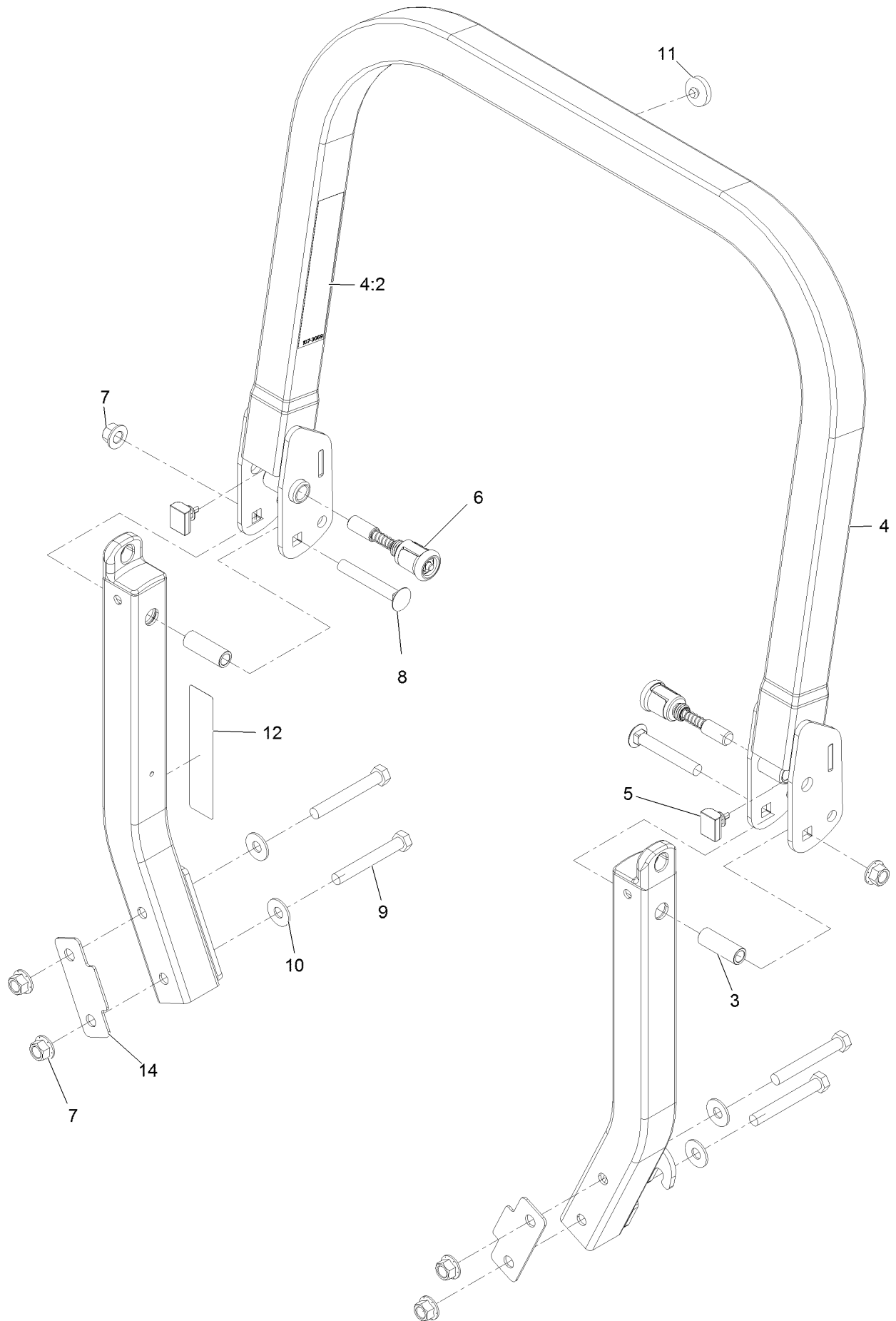
Roll-Over Protection System



Roll-Over Protection System (continued)

<i>Ref.</i>	<i>Part Number</i>	<i>Qty.</i>	<i>Description</i>
1	116-0230	1	ASM,ROPS Service Exmark

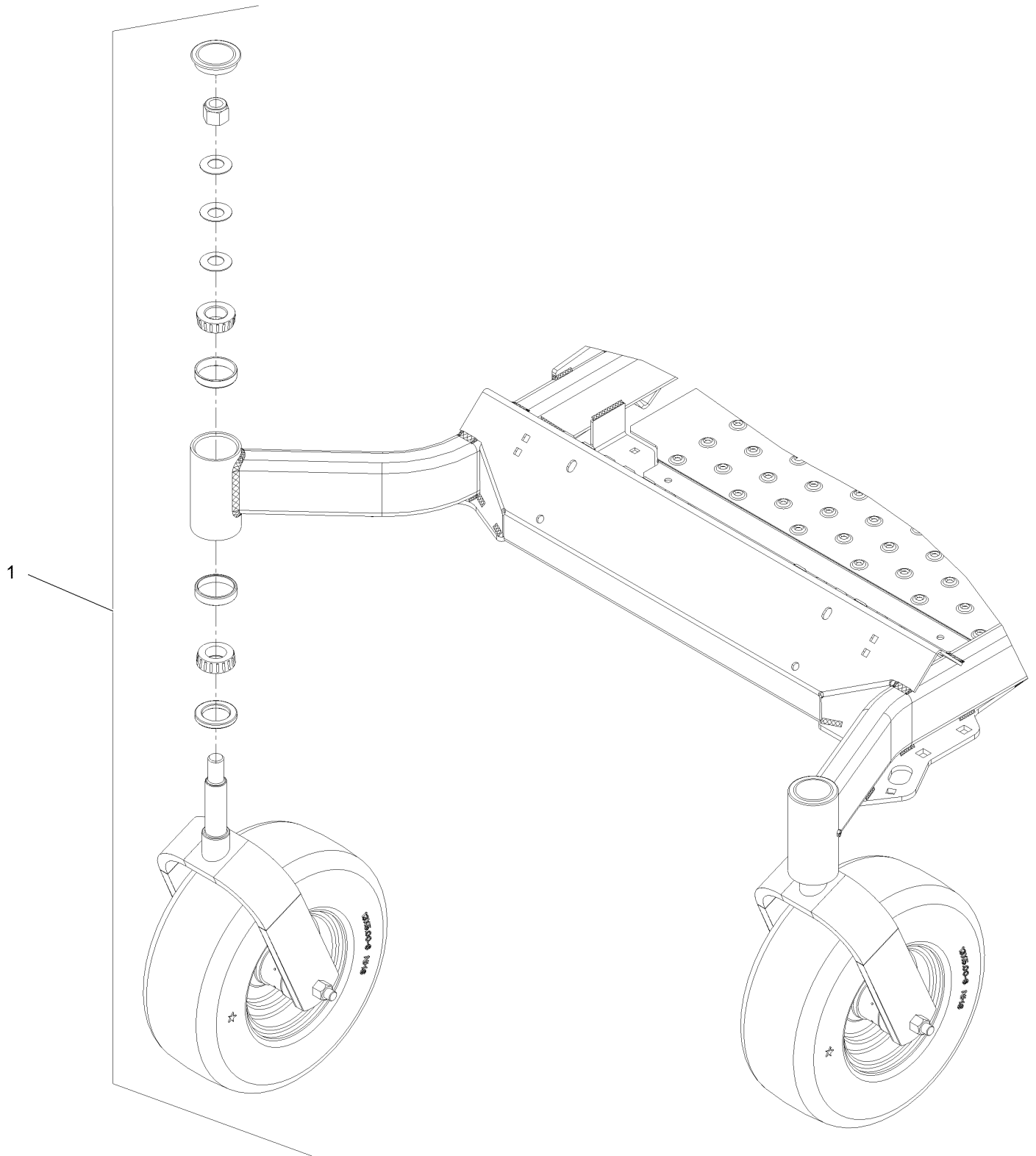
Roll-Over Protection System Assembly No. 116-0230



Roll-Over Protection System Assembly No. 116-0230 (continued)

<i>Ref.</i>	<i>Part Number</i>	<i>Qty.</i>	<i>Description</i>	<i>Ref.</i>	<i>Part Number</i>	<i>Qty.</i>	<i>Description</i>
3	109-6653	2	Spacer	8	3233-10	2	Bolt-Carriage 1/2-13 X 3 1/2
4	116-0019	1	Upper ROPS ASM	9	325-35	4	Screw-HH
4:2	107-3069	1	Decal-Warning	10	109-9505	4	Washer, Spring Disc 1/2
5	109-5337	2	Bumper-ROPS	11	109-9233	1	Bumper-Push-In, Rubber
6	116-0104	2	Pin-Spring	12	117-0346	1	Decal-Caution, Fuel Vent
7	99-5107	6	Nut-Lock 1/2-13	14	116-0960	2	Spacer

Front Caster and Fork Assembly

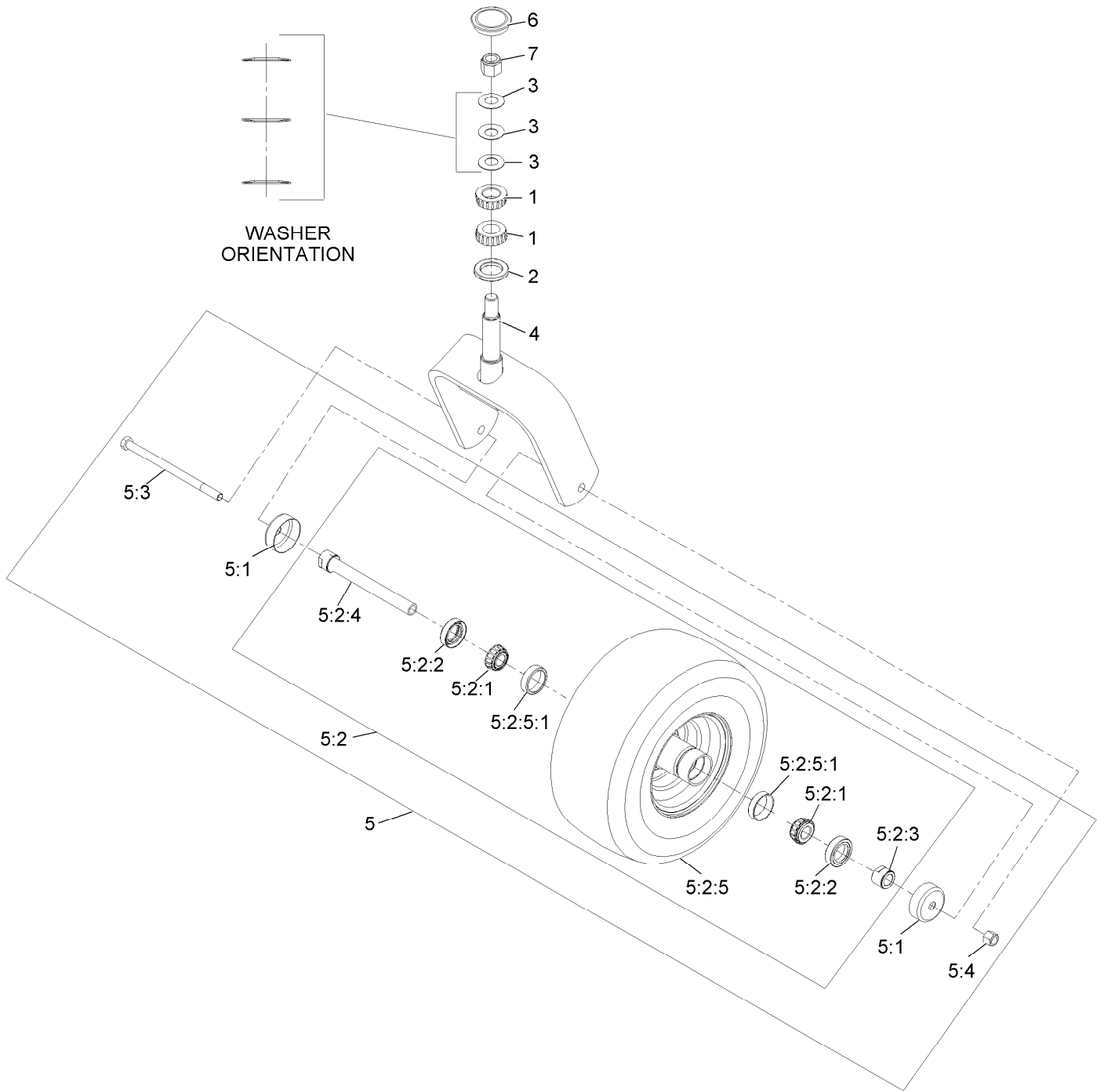


Front Caster and Fork Assembly (continued)

<i>Ref.</i>	<i>Part Number</i>	<i>Qty.</i>	<i>Description</i>
1		2	Front Caster And Fork ASM
			●

● Not serviced separately

Caster Wheel and Fork Assembly



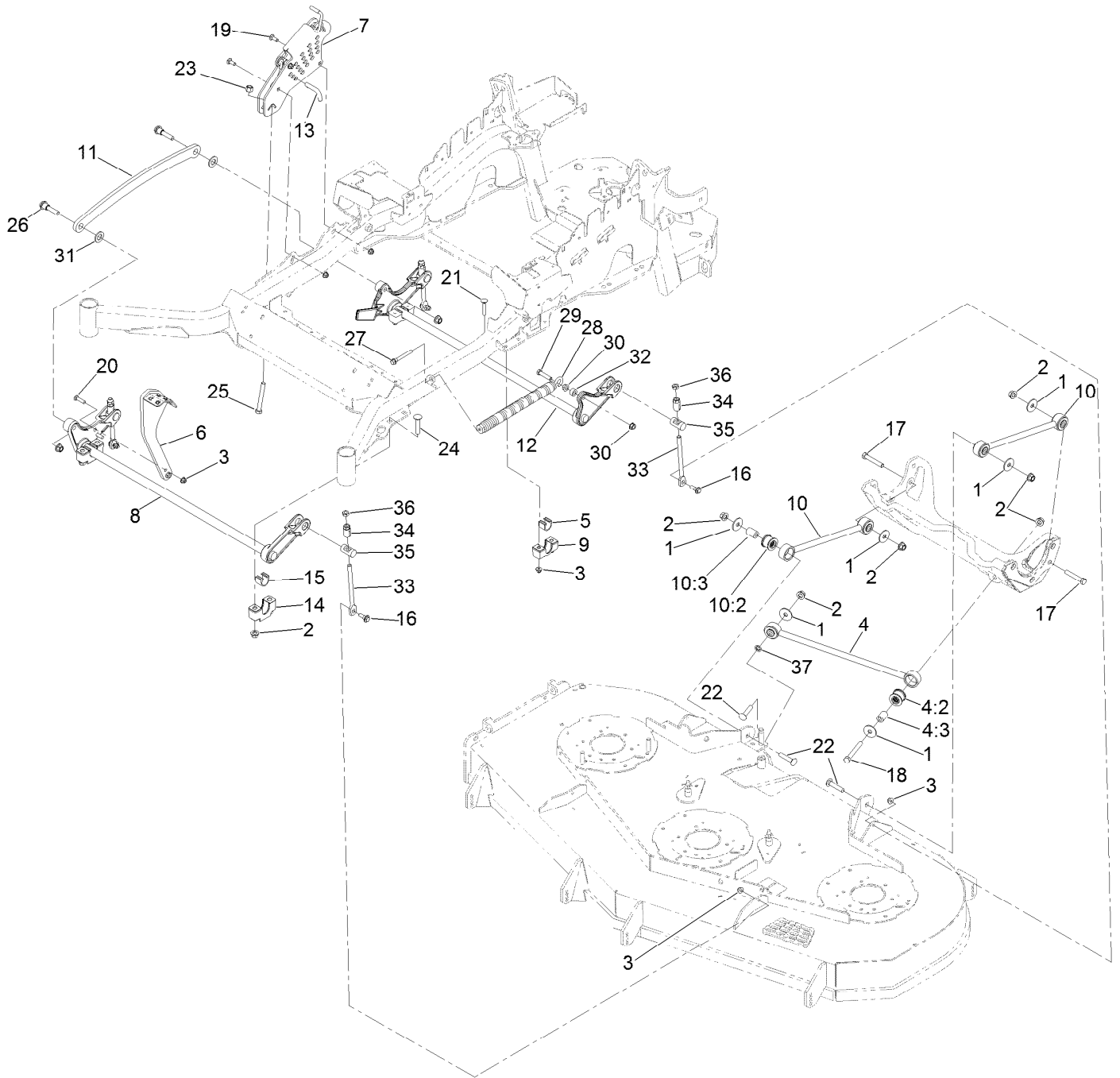
Caster Wheel and Fork Assembly (continued)

<i>Ref.</i>	<i>Part Number</i>	<i>Qty.</i>	<i>Description</i>	<i>Ref.</i>	<i>Part Number</i>	<i>Qty.</i>	<i>Description</i>
1	1-543509	2	Bearing-Roller, Tapered	5:2:3	103-3051	1	Spacer-Nut ■
2	116-5647	1	Seal-Grease	5:2:4	126-5361	1	Axle Caster ASM
3	1-633508	3	Washer-Bellville	5:2:5		1	Wheel And Tire ASM ●
4	116-6707-01	1	Caster	5:2:5:1	1-633584	2	Bearing-Cup
5	109-9127	1	Wheel & Tire ASM	5:3	325-39	1	Screw-HH
5:1	103-2768	2	Guard-Seal	5:4	3296-23	1	Nut-Lock, NI
5:2		1	Wheel And Tire ASM ●	6	103-4882	1	Cap-Grease
5:2:1	1-633585	2	Bearing-Cone, Taper	7	3296-51	1	Nut-Lock, NI
5:2:2	103-0063	2	Seal-Caster				

● Not serviced separately

■ Use Pro-Lock, Nut Type (P/N 1-840022, .5ml tube) on threads.

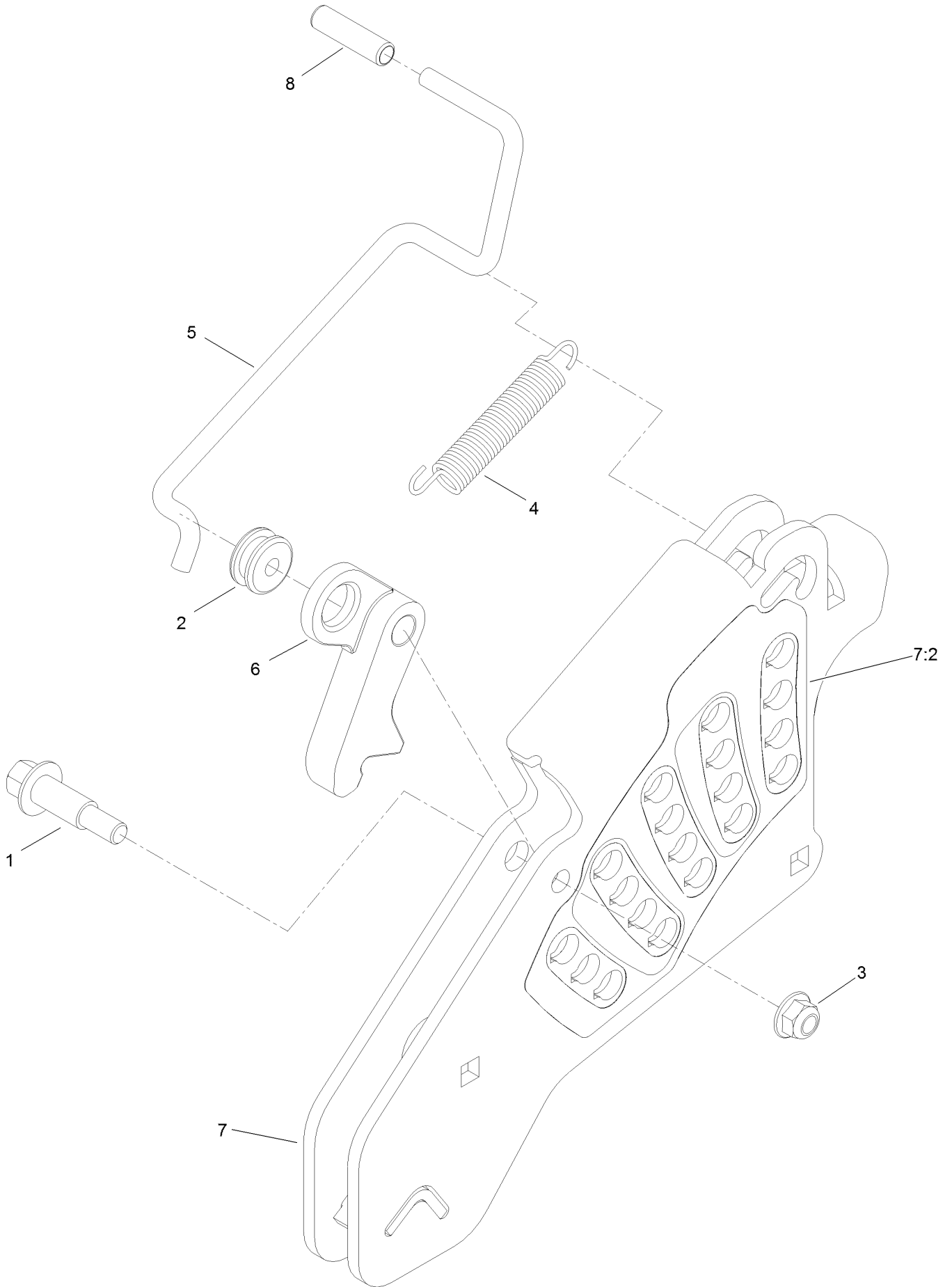
Deck Lift Assembly



Deck Lift Assembly (continued)

<i>Ref.</i>	<i>Part Number</i>	<i>Qty.</i>	<i>Description</i>	<i>Ref.</i>	<i>Part Number</i>	<i>Qty.</i>	<i>Description</i>
1	86-1990	6	Washer-Thrust	16	109-9840	4	Screw-Shoulder, HHF
2	99-5107	12	Nut-Lock	17	325-12	2	Screw-HH
3	104-8301	12	Nut-HF, NI	18	325-17	1	Screw-HH
4	109-5013	1	Panhard Rod ASM	19	3231-2	2	Bolt-CARR
4:2	109-5009	2	Bushing-Suspension, Rubber	20	3231-4	2	Screw-CARR
4:3	109-5010	2	Spacer	21	3231-7	4	Screw-CARR
5	109-7173	2	Bearing-Cross Shaft, Rear	22	3233-34	3	Screw-CARR
6	131-8812-01	1	Lever-Foot	23	3296-23	1	Nut-Lock, NI
7	109-7438	1	HOC ASM	24	116-1700	4	Bolt-CARR
8	126-2477-03	1	Decklift-Front	25	116-0559	1	Bolt-TAP
9	127-0553	2	Support-Cross Shaft, Bearing Rear	26	116-2022	2	Screw-HHF, Shoulder
10	109-7952	2	Deck Strut ASM	27	92-7674	1	Bolt-Shoulder
10:2	109-5009	2	Bushing-Suspension, Rubber	28	116-0000	1	Spring-Extension
10:3	109-5010	2	Spacer	29	109-9065	1	Screw-HH
11	116-0797-03	1	Link-Lift, Deck	30	32128-37	2	Nut-HF
12	116-2645-03	1	Lift-Deck, Rear	31	3256-28	2	Washer-Flat
13	116-5584	1	Pin-HOC	32	116-2695	1	Spacer
14	109-9409	2	Support-Cross Shaft, Bearing	33	109-8007	4	Link-Adjuster, Deck Lift
15	109-9410	2	Bearing-Cross Shaft, Front	34	109-7840	4	Adjuster-Lift, Deck
				35	109-8353	4	Trunnion
				36	3218-5	4	Nut-Jam
				37	126-2916	1	Nut-Push

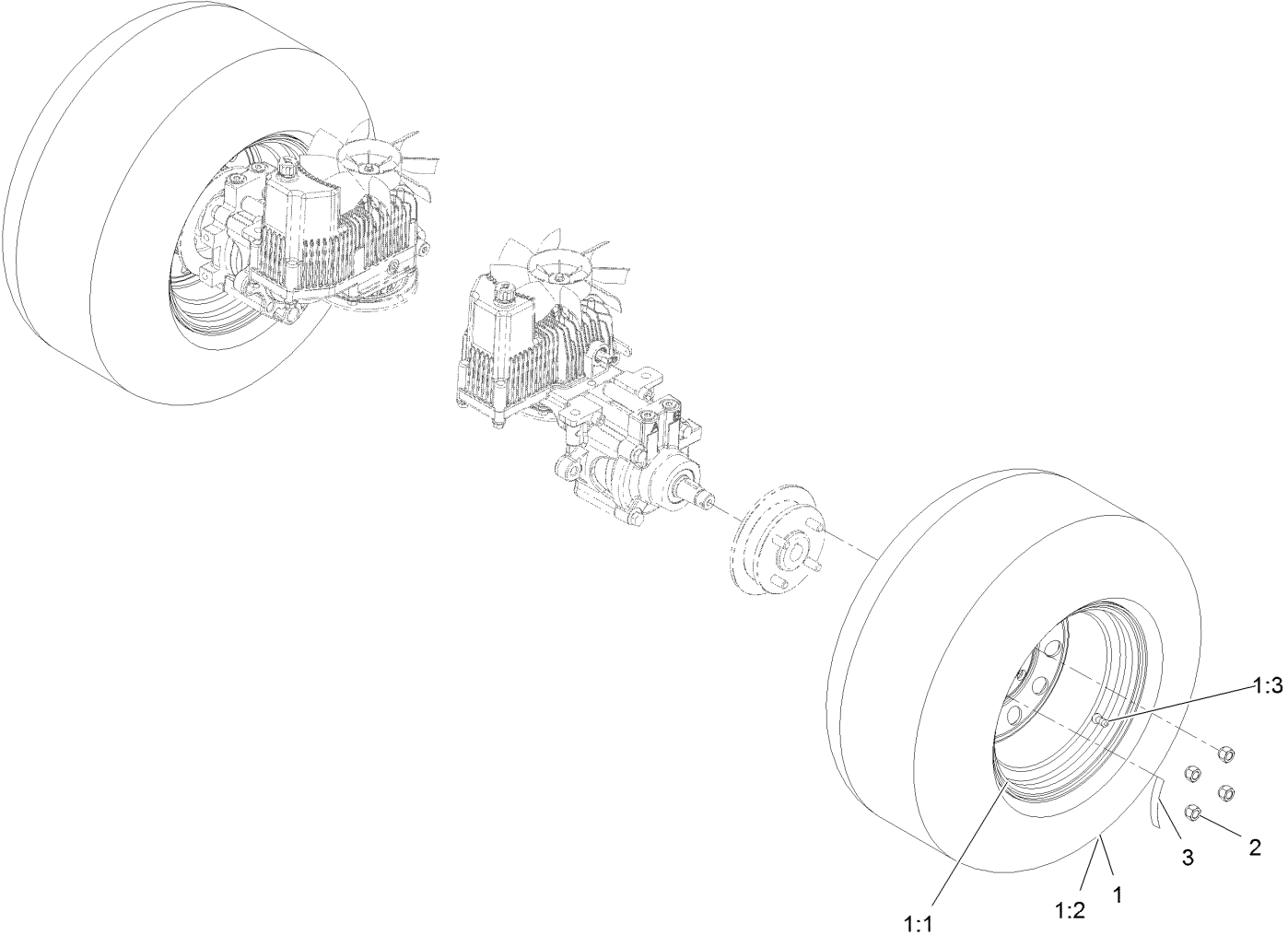
Height-of-Cut Assembly No. 109-7438



Height-of-Cut Assembly No. 109-7438 (continued)

<i>Ref.</i>	<i>Part Number</i>	<i>Qty.</i>	<i>Description</i>	<i>Ref.</i>	<i>Part Number</i>	<i>Qty.</i>	<i>Description</i>
1	62-1330	1	Bolt-Shoulder	6	116-0118	1	Pawl-Transport, HOC
2	109-7130	1	Grommet	7	109-7335	1	HOC Plate ASM
3	104-8301	1	Nut-HF, NI	7:2	126-4398	1	Decal-HOC
4	109-7124	1	Spring-Extension	8	109-8250	1	Grip-Lever
5	109-7128	1	Rod-Lock, Transport				

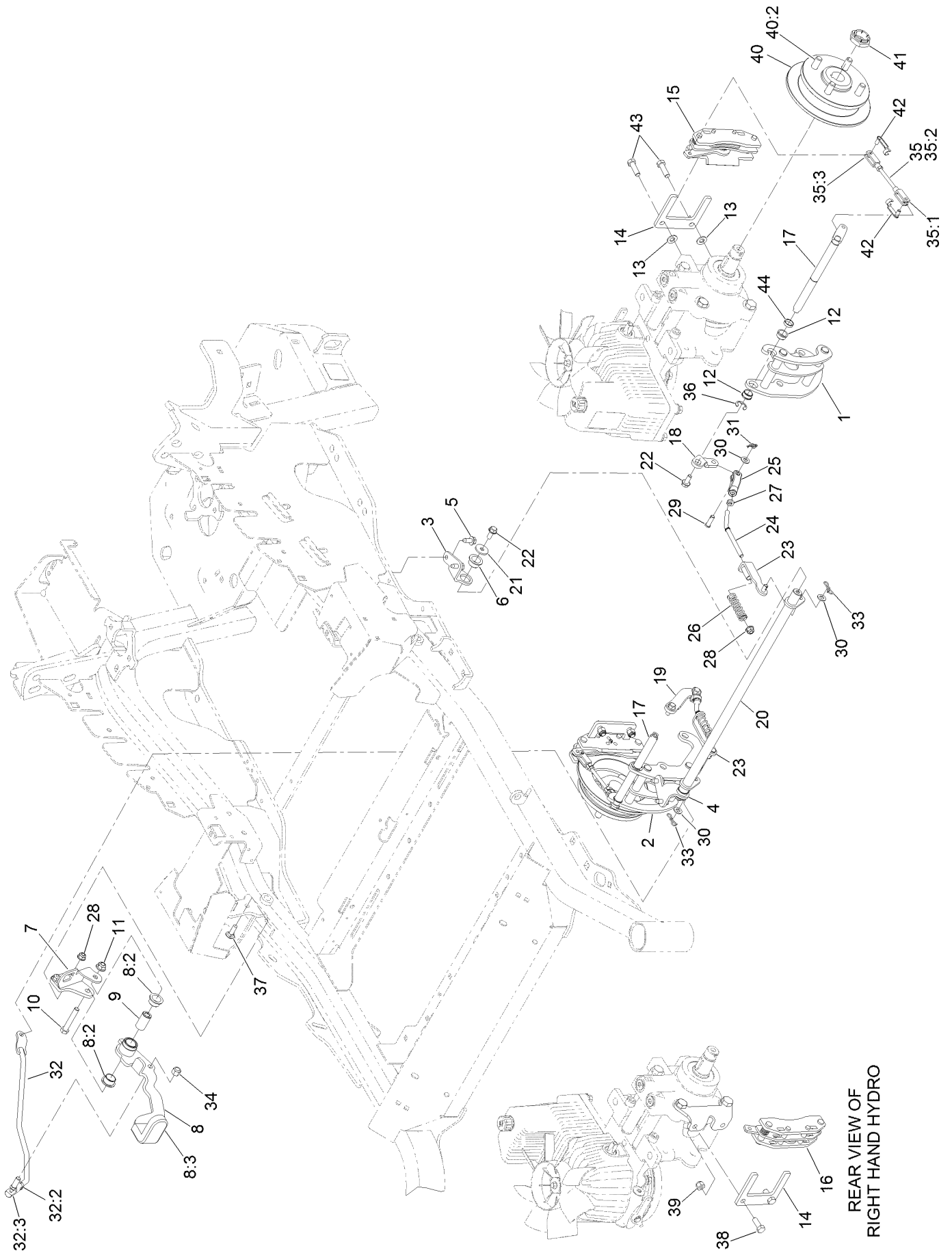
Rear Wheel Assembly



Rear Wheel Assembly (continued)

<i>Ref.</i>	<i>Part Number</i>	<i>Qty.</i>	<i>Description</i>	<i>Ref.</i>	<i>Part Number</i>	<i>Qty.</i>	<i>Description</i>
1	109-8972	2	Wheel And Tire ASM	2	242-50	8	Nut-Lug 1/2-20
1:1	1-633993	1	Tire	3	126-2055	2	Decal-Torque, Wheel Hub Lug
1:2	109-3156	1	Rim				
1:3	232-27	1	Stem-Valve				

Park Brake Assembly

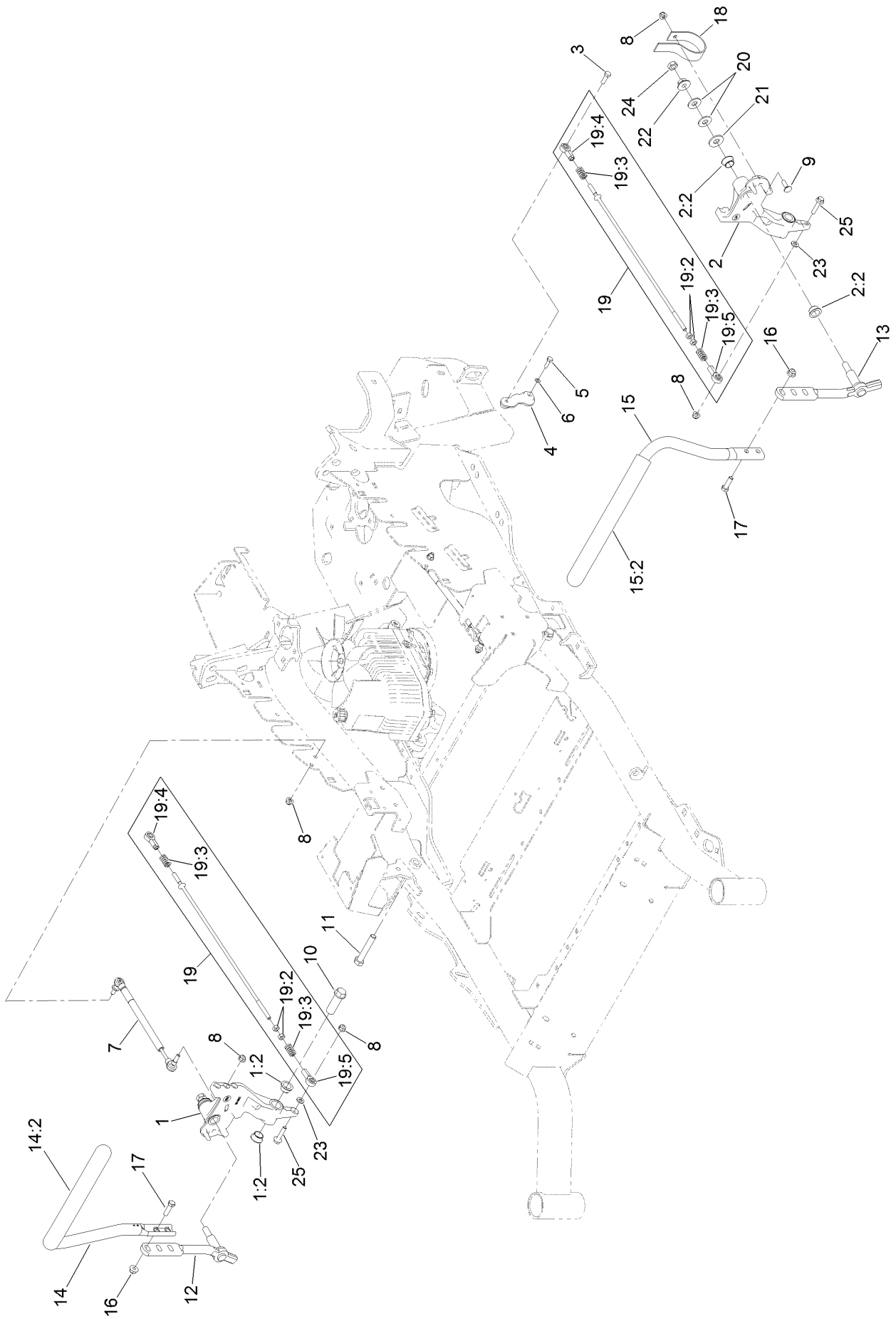


REAR VIEW OF
RIGHT HAND HYDRO

Park Brake Assembly (continued)

<i>Ref.</i>	<i>Part Number</i>	<i>Qty.</i>	<i>Description</i>	<i>Ref.</i>	<i>Part Number</i>	<i>Qty.</i>	<i>Description</i>
1	126-4248	1	Mount-Bellcrank, LH	25	126-3693	2	Yoke-Offset
2	126-4249	1	Mount-Bellcrank, RH	26	116-9085	2	Spring-Compression
3	116-9681	1	Mount-Pivot, LH	27	3220-2	2	Nut-Jam
4	116-9682	1	Mount-Pivot, RH	28	104-8300	4	Nut-HF, NI
5	32144-70	4	Screw-HWHTF	29	1-808280	2	Pin-Clevis
6	109-8054	2	Bushing-Flange	30	3256-23	4	Washer-Plain
7	116-9096-01	1	Bracket-Mount	31	116-6639	2	Pin-Cotter, Locking
8	131-4623	1	Brake Lever ASM W/ Grip	32	116-9102	1	Front Linkage ASM
8:2	109-8054	2	Bushing-Flange	32:2	94-7572	1	End-Tie Rod, RH
8:3	132-4749	1	Grip-Lever	32:3	3220-3	1	Nut-HJ
9	116-9117	1	Handle-Pivot, Brake	33	119-1415	2	Pin-Cotter, Locking
10	323-11	1	Screw-HH	34	3296-6	1	Nut-Lock
11	104-8301	1	Nut-HF, NI	35	126-7587	2	Rear Linkage ASM
12	126-6199	4	Bushing	35:1	126-7588	2	Yoke
13	3256-24	2	Washer-Flat	35:2	116-9069	1	Linkage, Rear
14	109-0958	2	Plate-Mount, Brake	35:3	3220-1	1	Nut-Jam
15	109-2889	1	Caliper-Brake	36	32120-19	2	E-Ring
16	116-9103	1	Caliper-Brake, RH	37	3230-2	2	Bolt-CARR
17	126-4251	2	Bellcrank	38	323-6	2	Screw-HH
18	126-3715	1	Arm-Inner, LH	39	3296-39	2	Nut-Lock, NI
19	126-3716	1	Arm-Inner, RH	40	116-1746	2	Wheel Hub ASM
20	116-9080	1	Shaft-Cross	40:2	116-1696	4	Stud-Wheel
21	115-7109	2	Washer-Flat	41	116-1399	2	Locknut
22	98-9940	4	Screw-HHF	42	126-6395	4	Pin-Clevis, Spring
23	116-9609	2	Bracket-L	43	92-5727	2	Screw-Lock, Patch
24	116-9086	2	Linkage-Mid	44	126-6200	2	Spacer

Motion Control Assembly

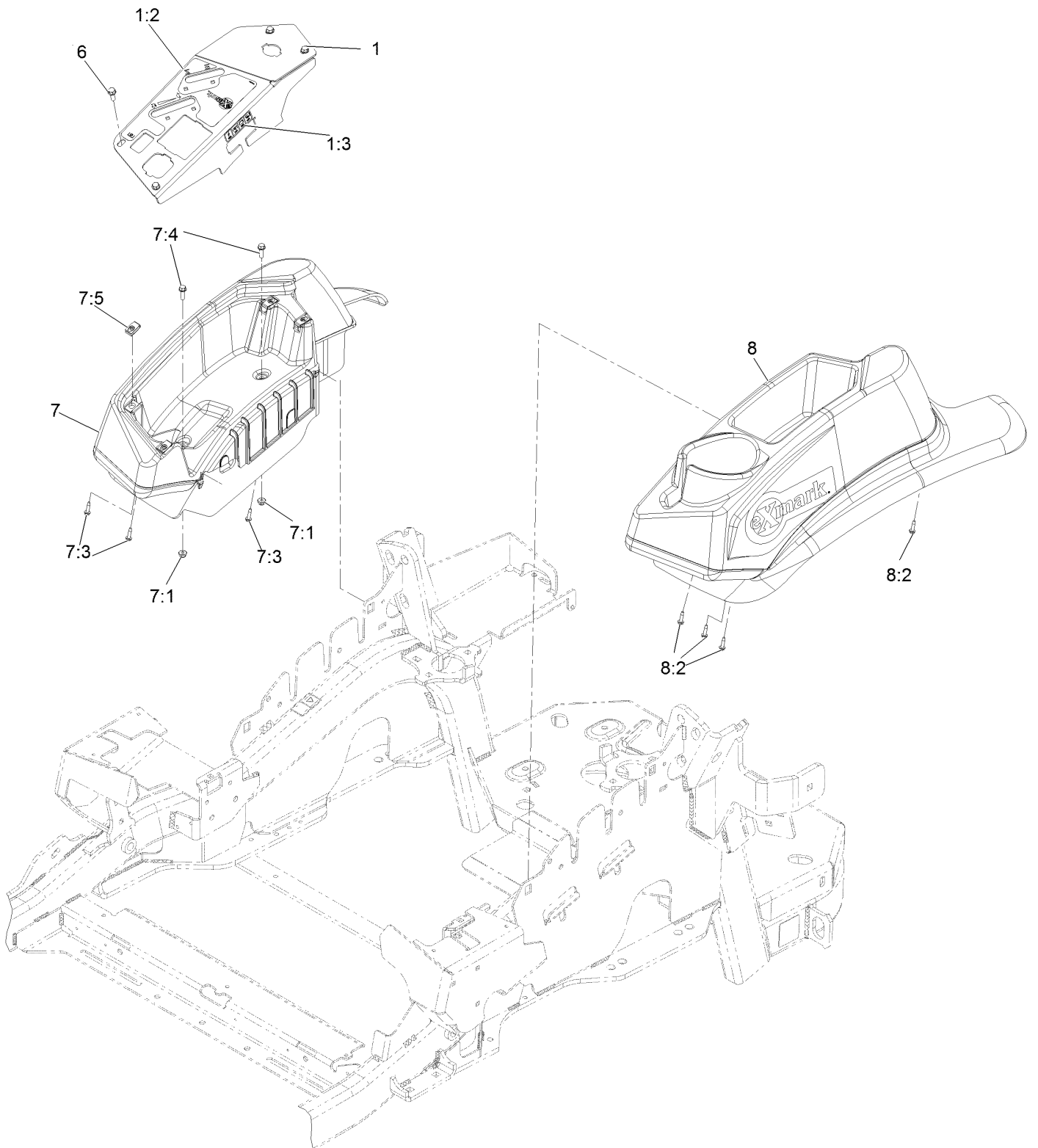


Motion Control Assembly (continued)

<i>Ref.</i>	<i>Part Number</i>	<i>Qty.</i>	<i>Description</i>	<i>Ref.</i>	<i>Part Number</i>	<i>Qty.</i>	<i>Description</i>
1	116-0880	1	RH Motion Control And Bushing ASM	14	133-1839	1	RH Steering Handle ASM
1:2	109-8054	4	Bushing-Flange	14:2	109-5668	1	Grip-Lever, Control
2	116-0881	1	LH Motion Control And Bushing ASM	15	133-1841	1	LH Steering Handle ASM
2:2	109-8054	4	Bushing-Flange	15:2	109-5668	1	Grip-Lever, Control
3	116-0648	2	Screw-HH, Thread Locking ●	16	104-8301	4	Nut-HF, NI
4	109-4581	2	Arm-Control, Pump	17	323-7	4	Screw-HH
5	9080046	2	Screw-HH ●	18	109-5575	2	Spring-Leaf
6	1-303435	2	Washer-Spring	19	109-8106	2	Front Pump Linkage ASM
7	116-0027	2	Damper-Control, Motion	19:2	3219-2	2	Nut-Hex
8	104-8300	8	Nut-HF, NI	19:3	1-323245	2	Spring-Compression
9	3230-2	2	Bolt-CARR	19:4	1-633152	1	Balljoint-LH
10	109-5891	2	Hub-Threaded	19:5	1-543017	1	Balljoint-RH
11	325-12	2	Screw-HH	20	109-9505	4	Washer-Spring
12	116-0039	1	Lever-Control Motion, RH	21	3256-6	2	Washer-Flat
13	116-0040	1	Lever-Control Motion, LH	22	32128-56	2	Nut-HF
				23	3256-23	2	Washer-Plain
				24	3218-5	2	Nut-Jam
				25	115-1794	2	Screw-HHF

● Use Pro-Lock, Nut Type (P/N 1-840022, .5ml tube) on threads.

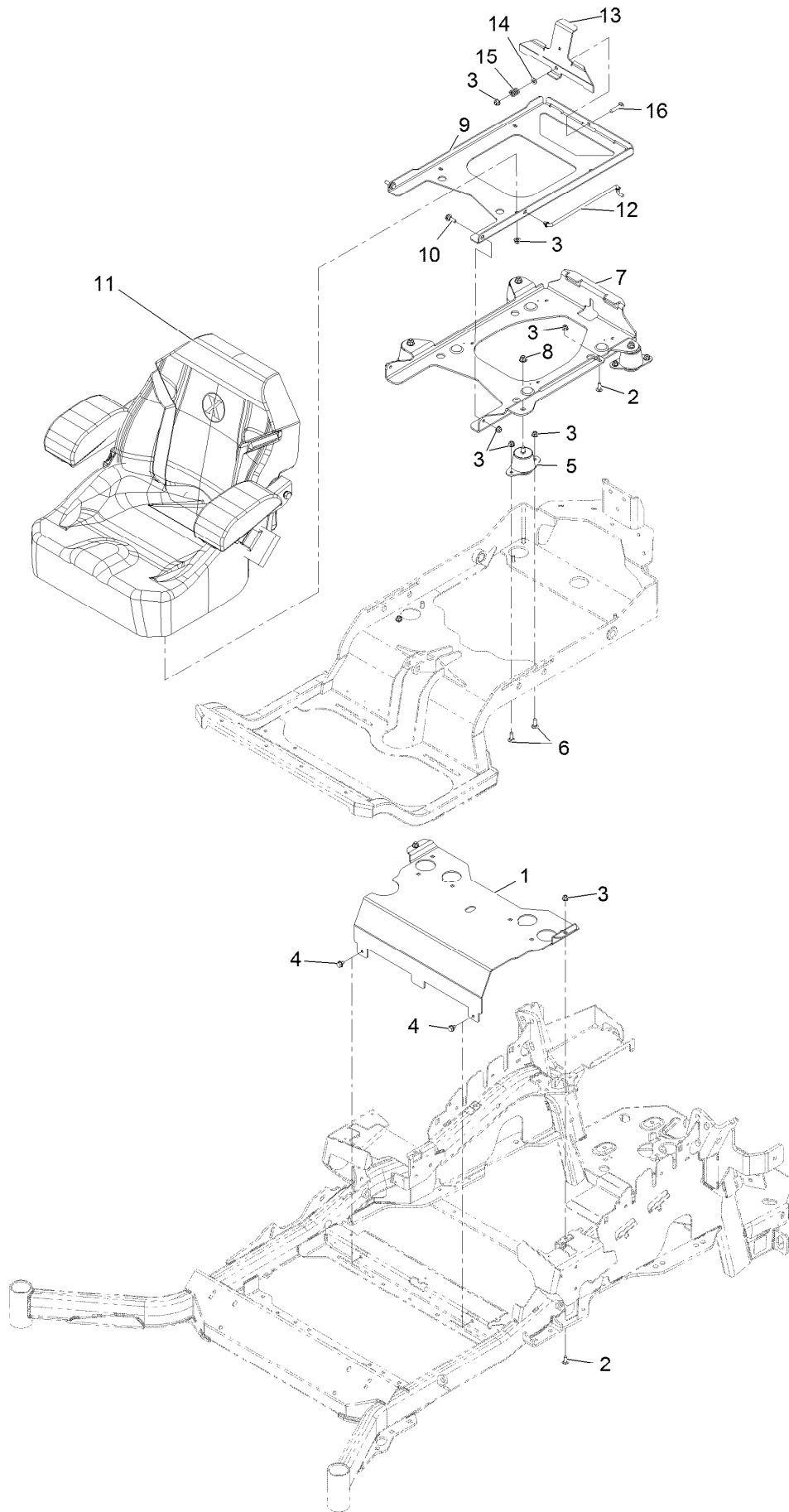
Console Assembly



Console Assembly (continued)

<i>Ref.</i>	<i>Part Number</i>	<i>Qty.</i>	<i>Description</i>	<i>Ref.</i>	<i>Part Number</i>	<i>Qty.</i>	<i>Description</i>
1	135-3146	1	ASM-Panel, Control W/Decal	7:1	104-7201	2	Nut-Nyloc 1/4-20 Flg
1:2	116-8724	1	Decal-Control Panel Non-EFI	7:3	109-9345	3	Screw-HWH #10-14 X 3/4 Tf
1:3	114-4466	1	Decal-Fuses	7:4	32105-15	2	Screw-Machine 1/4-20 X 3/4
6	32105-15	4	Screw-Machine 1/4-20 X 3/4	7:5	107069	4	Nut-Retainer-Panel 1/4-20
7	109-9341	1	Console,RH Narrow ASM	8	109-9342	1	Console.LH Narrow ASM
				8:2	109-9345	4	Screw-HWH #10-14 X 3/4 Tf

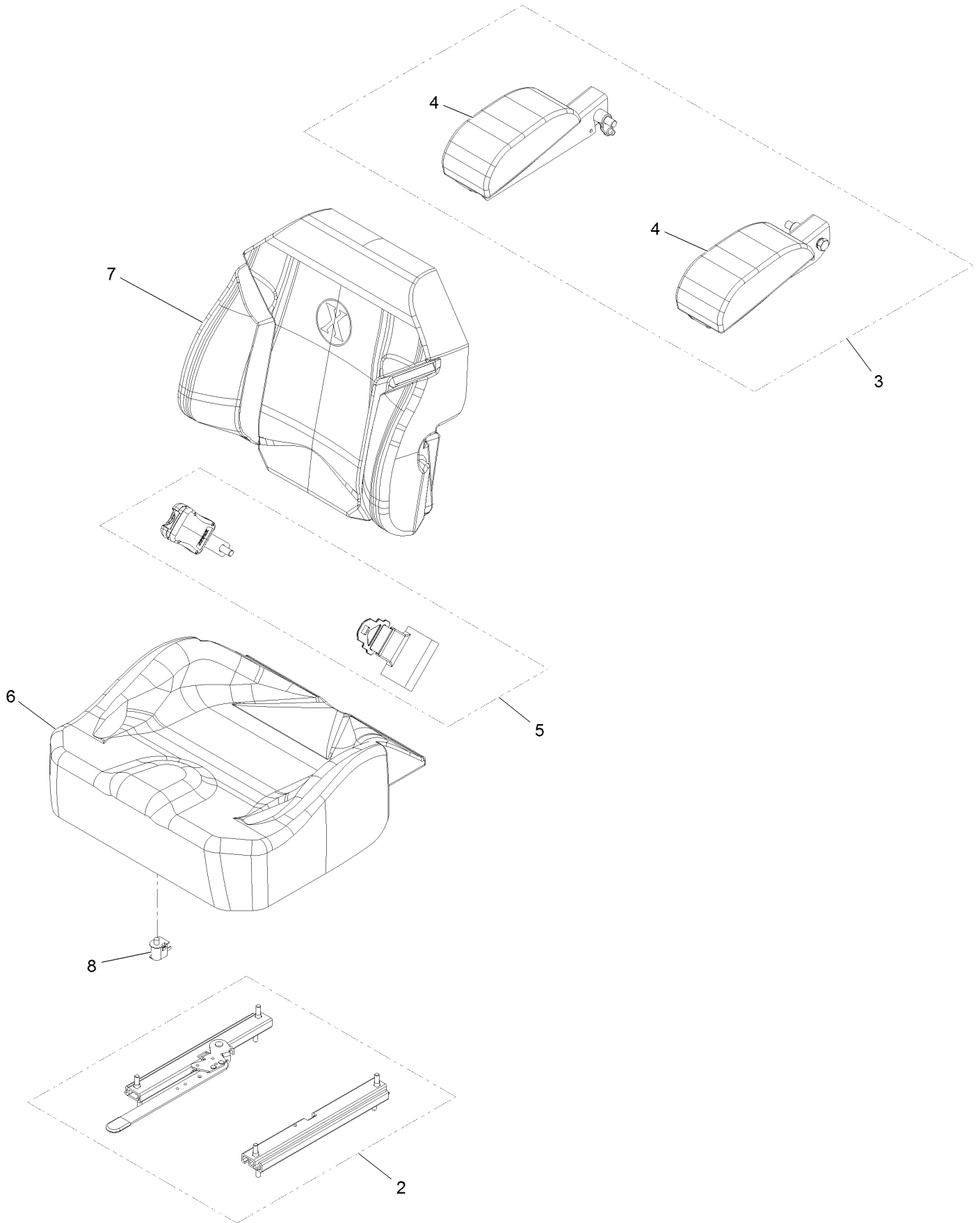
Suspension Seat Assembly



Suspension Seat Assembly (continued)

<i>Ref.</i>	<i>Part Number</i>	<i>Qty.</i>	<i>Description</i>	<i>Ref.</i>	<i>Part Number</i>	<i>Qty.</i>	<i>Description</i>
1	116-2130-03	1	Panel-Front, Seat Mount	9	116-3859-03	1	Plate-Frame, Seat
2	3230-23	3	Bolt-Carriage 5/16-18 X 3/4 Short Neck	10	116-1297	2	Screw-Shoulder
3	104-8300	18	Nut-Nyloc 5/16-18 Flg	11	126-5801	1	Seat-Exmark Standard
4	9266934	2	Screw-HWH 5/16 X 1/2 Tf	12	116-0070	1	Rod-Prop
5	109-9034	4	Isolator-Seat	13	132-5088-03	1	Plate-Latch,Seat
6	3230-10	8	Bolt-Carriage 5/16-18 X 7/8	14	3256-23	1	Washer-5/16 SAE
7	131-6324-03	1	Plate-Support, ISO Seat	15	107-3017	1	Spring-Compression
8	104-8301	4	Nut-Nyloc 3/8-16 Flg	16	3230-4	1	Bolt-Carriage 5/16-18 X 1 1/2

Seat W/Tracks Assembly No. 126-5801

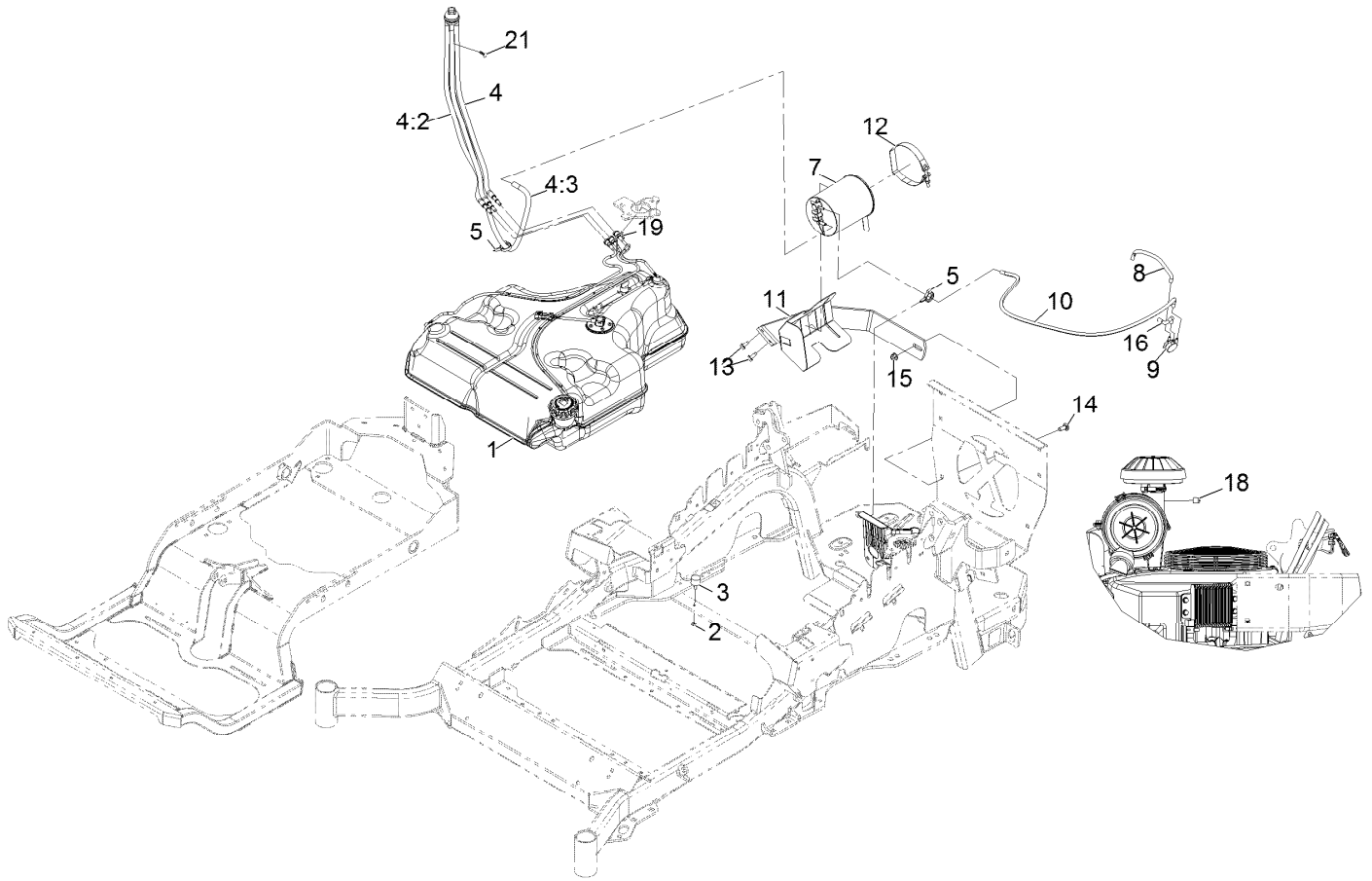


Seat W/Tracks Assembly No. 126-5801 (continued)

<i>Ref.</i>	<i>Part Number</i>	<i>Qty.</i>	<i>Description</i>
2	109-9801	1	Seat Track Set
3	116-8906	1	Kit-Arm Rest Set
4	116-8905	1	Kit-Arm Rest Pads
5	109-9805	1	Seat Belt Kit

<i>Ref.</i>	<i>Part Number</i>	<i>Qty.</i>	<i>Description</i>
6	126-6052	1	Seat Cushion Cover
7	126-6051	1	Seat Back Cover
8	82-2190	1	Switch

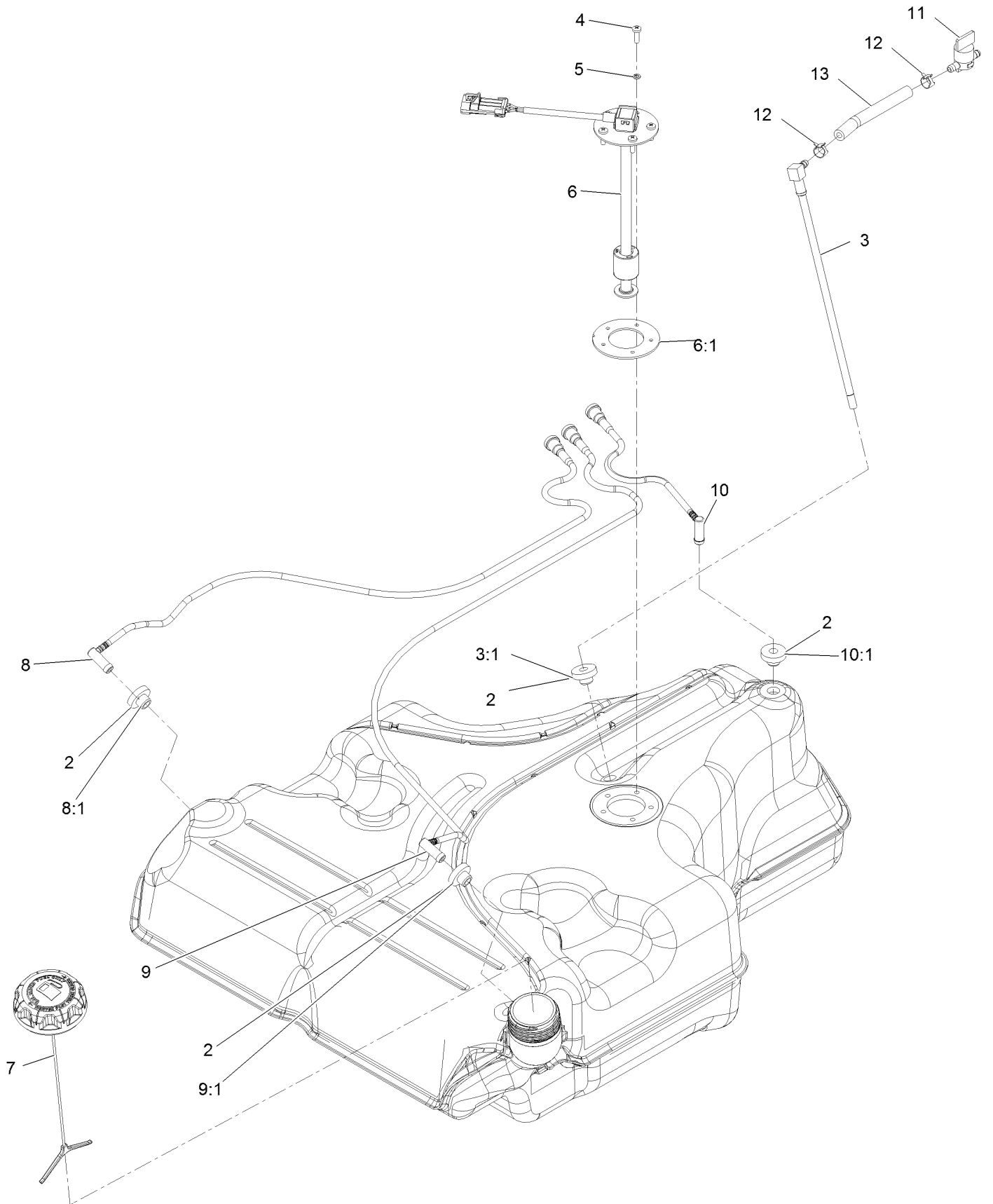
Fuel Assembly



Fuel Assembly (continued)

<i>Ref.</i>	<i>Part Number</i>	<i>Qty.</i>	<i>Description</i>	<i>Ref.</i>	<i>Part Number</i>	<i>Qty.</i>	<i>Description</i>
1	135-0643	1	Fuel Tank ASM	11	116-1433-03	1	Mount-Canister
2	3218-1	2	Nut-Jam 1/4-20	12	116-2228	1	Clamp, T-Bolt
3	1-523420	2	Bumper	13	32144-70	2	Screw-HWH 5/16-18 X 3/4 Tf
4	127-0583	1	Fuel Manifold Vent ASM	14	3231-22	1	Bolt-Carriage 3/8-16 X 1
4:2	109-0302	3	Hose-Fuel Line 24"	15	104-8301	1	Nut-Nyloc 3/8-16 Flg
4:3	108-5376	1	Hose-Fuel	16	119-8502	1	Hose-Vent, Formed
5	105-1853	2	Clamp-Hose	18	116-4464	1	Plug-Port
7	116-1442	1	Canister-Carbon, 1200Cc	19	116-6005	1	Retainer-Line, Vapor
8	135-3415	1	Hose-Vent,Formed	21	125-8067	1	Plug-Plastic
9	116-2232	1	Valve-Control, Vacuum				
10	135-3417	1	Hose,Vent,Formed				

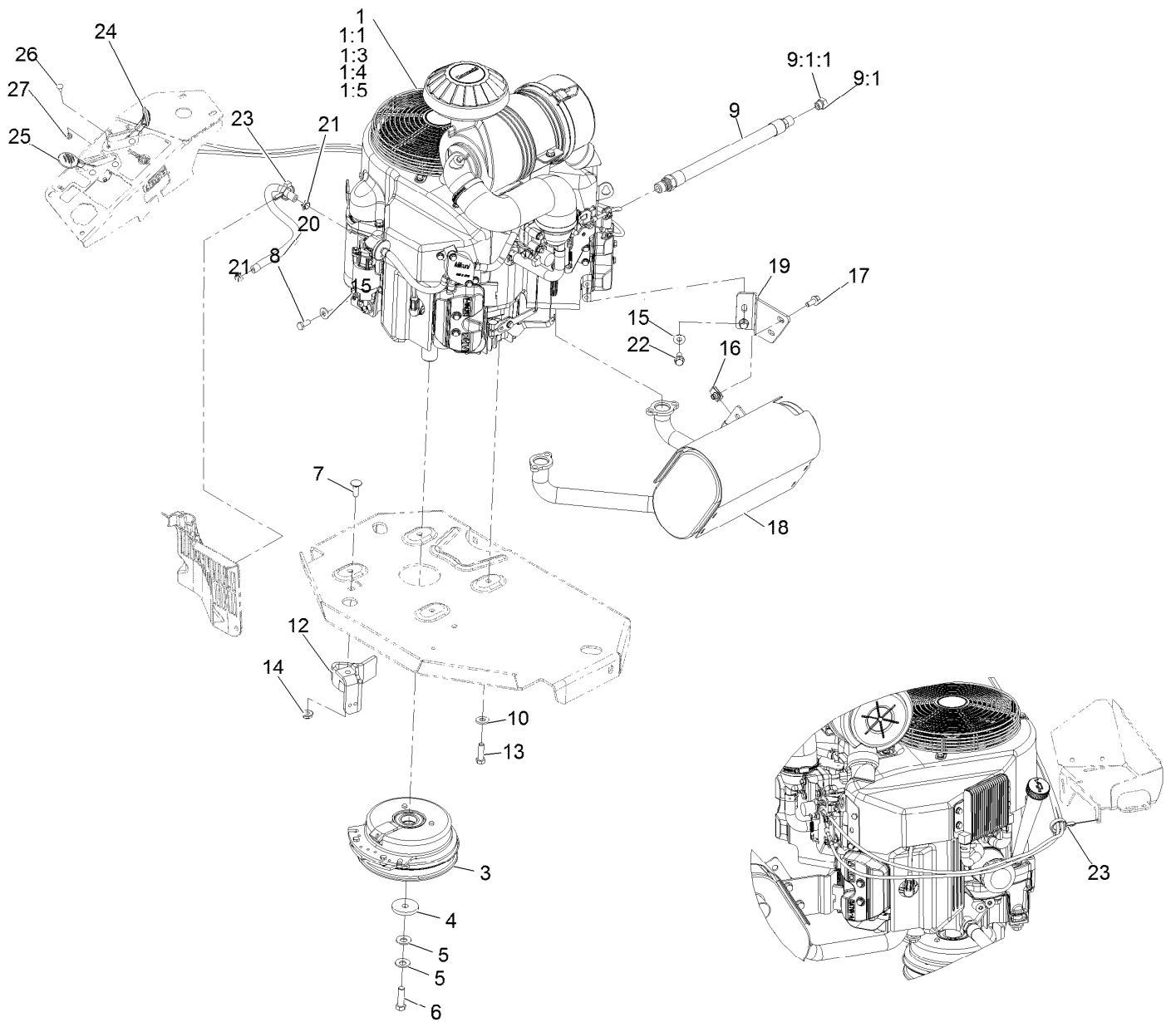
Fuel Tank Assembly (cont.)



Fuel Tank Assembly (cont.) (continued)

<i>Ref.</i>	<i>Part Number</i>	<i>Qty.</i>	<i>Description</i>	<i>Ref.</i>	<i>Part Number</i>	<i>Qty.</i>	<i>Description</i>
2	46-6560	4	Bushing	8:1	46-6560	1	Bushing
3	116-2459	1	Fuel Line Kit (With Grommet)	9	116-2461	1	LH Vent Line Kit (With Grommet)
3:1	46-6560	1	Bushing	9:1	46-6560	1	Bushing
4	3290-500	5	Screw-PPH	10	116-2462	1	Rear Vent Line Kit (With Grommet)
5	3253-17	5	Washer-Lock	10:1	46-6560	1	Bushing
6	126-3913	1	Float-Sender, Fuel	11	1-603770	1	Valve-Fuel
6:1	126-3950	1	Gasket-Sender	12	2412-98	2	Clamp-Hose
7	126-1789	1	Cap-Fuel, Ratcheting	13	109-0650	1	Hose-Fuel
8	116-2460	1	RH Vent Line Kit (With Grommet)				

Engine Assembly



Engine Assembly (continued)

<i>Ref.</i>	<i>Part Number</i>	<i>Qty.</i>	<i>Description</i>	<i>Ref.</i>	<i>Part Number</i>	<i>Qty.</i>	<i>Description</i>
1		1	Engine-Kawasaki Fx801V ▲ ◆	9:1:1	237-42	1	O-Ring
1:1		1	Kawasaki 49065-2078 Engine Oil Filter ▲◆	10	98-5975	4	Washer-Spring Disc 3/8
1:3		1	Kawasaki 49019-7001 Fuel Filter ▲◆	12	116-2612-01	1	Clutch-Anchor
1:4		1	Kawasaki 11013-7039 Safety Filter ▲◆	13	323-7	4	Screw-HH 3/8-16 X 1 1/4
1:5		1	Kawasaki 11013-7038 Air Filter ▲◆	14	104-8301	1	Nut-Nyloc 3/8-16 Flg
3	116-1620	1	Clutch Kit	15	1-303334	3	Washer-Spring Disc 5/16
4	109-6919	1	Washer-Clutch	16	94-2413	2	Nut-U
5	1-603610	2	Washer-Spring Disc 7/16	17	3234-5	2	Screw-HH Flg 5/16-18 X 3/4
6	109-9761	1	Screw-HH 7/16-20 X 1 1/2 W/Loctite □	18	116-1712	1	Muffler
7	3231-22	1	Bolt-Carriage 3/8-16 X 1	19	116-0203	1	Bracket-Muffler
8	33114-020	1	Screw-HH M8-1.25 X 20Mm	20	109-0296	1	Hose-Fuel Line 15"
9	116-4924	1	Asm-Hose Oil Drain W/Plug ■	21	2412-98	2	Clamp-Hose
9:1	353-508	1	Plug-W/O-Ring ●	22	95-4184	2	Screw-HH M8-1.25 X 20Mm
				23	105-1853	2	Clamp-Hose
				24	109-8167	1	ASM, Choke Cable
				25	116-1972	1	ASM,Throttle Cable
				26	1-807513	4	Bolt-Carriage #10-24 X 1/2
				27	3296-2	4	Nut-Nyloc #10-24

● Torque to 24-26 ft-lb

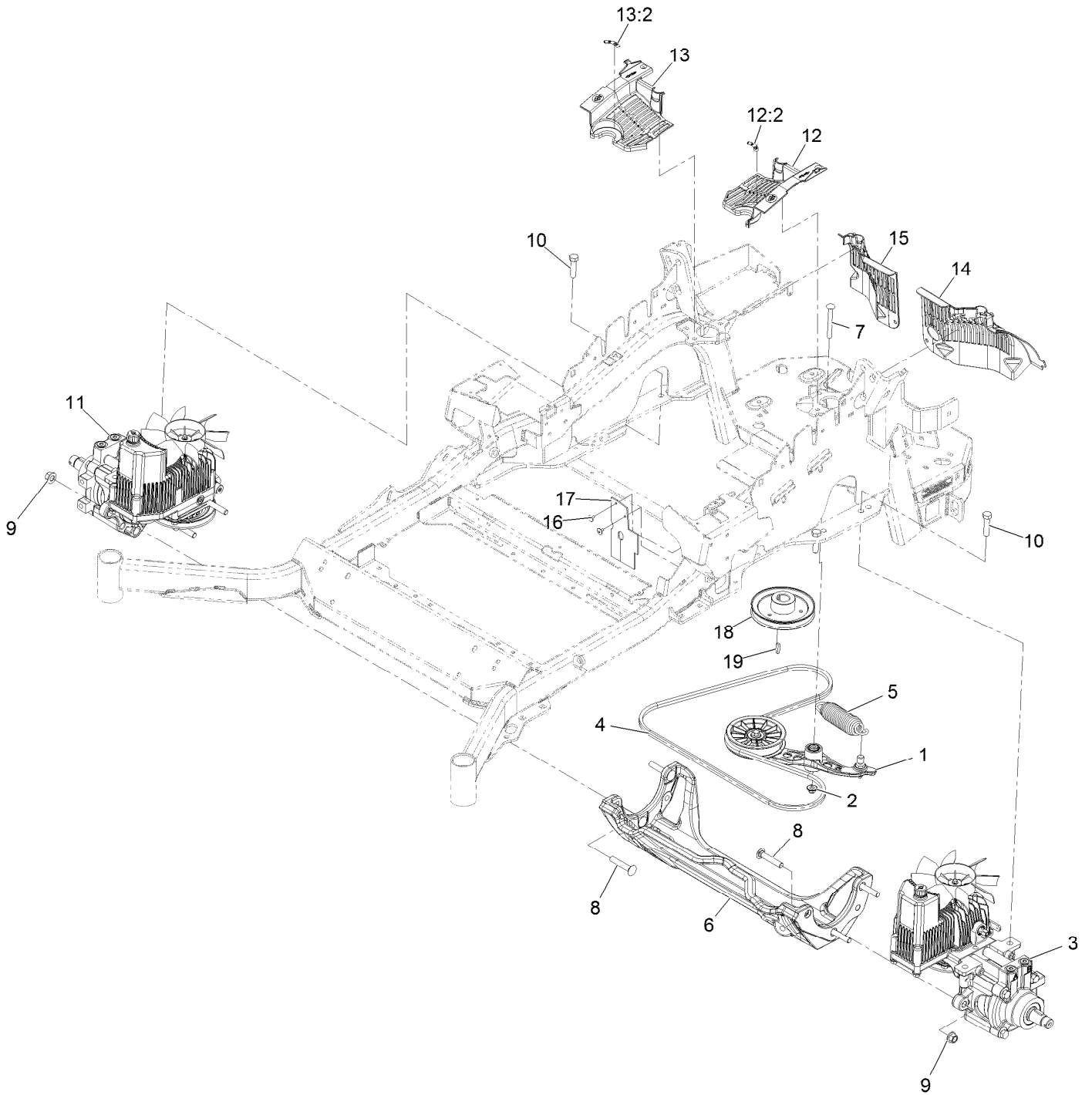
▲ Not serviced separately

□ Use Pro-Lock, Nut Type (P/N 1-840022, .5ml tube) on threads.

■ Torque to 23-29 ft-lb

◆ Obtain parts from www.kawpowerepc.com

Hydraulic Assembly

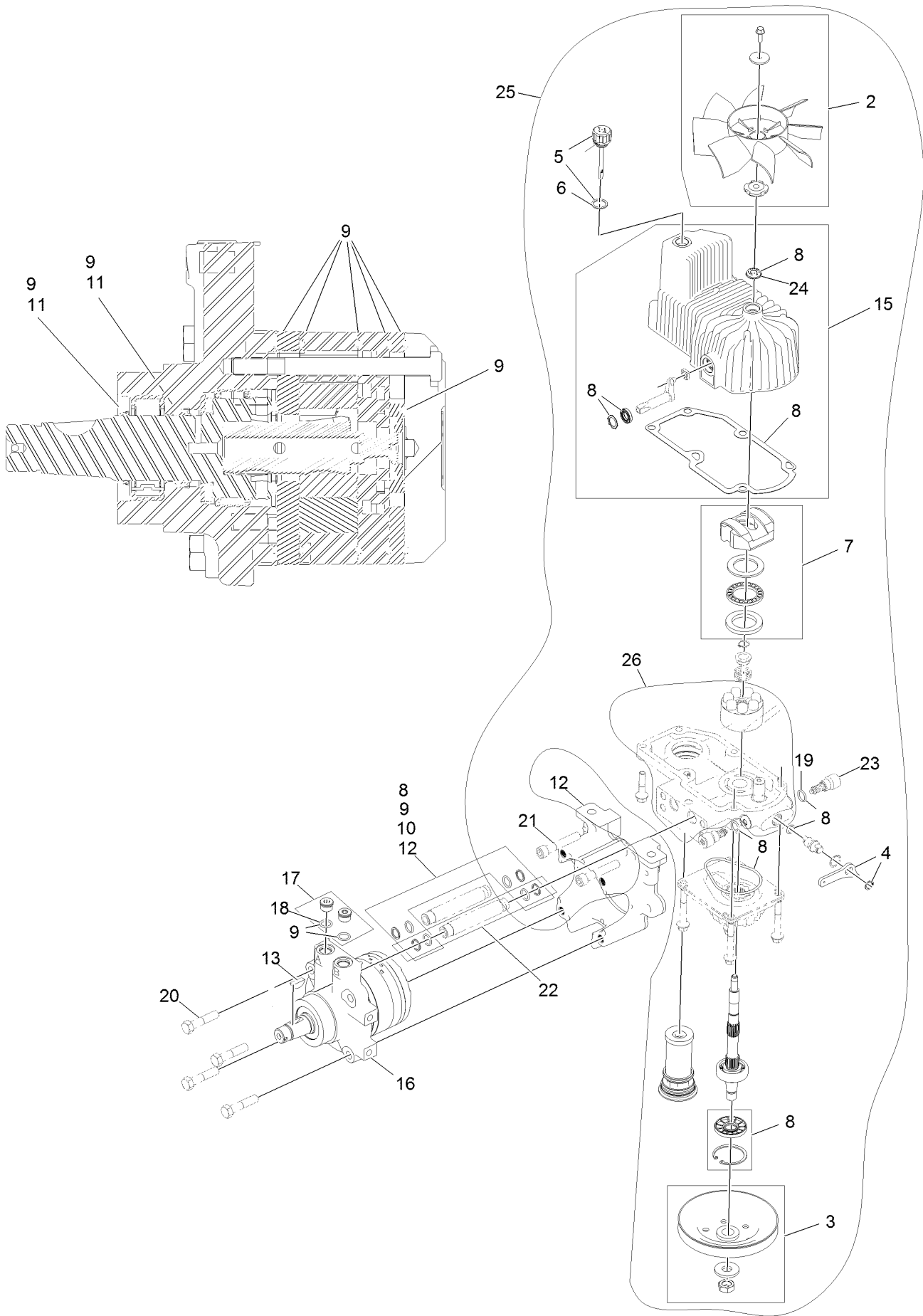


Hydraulic Assembly (continued)

<i>Ref.</i>	<i>Part Number</i>	<i>Qty.</i>	<i>Description</i>	<i>Ref.</i>	<i>Part Number</i>	<i>Qty.</i>	<i>Description</i>
1	116-1255	1	Pump Idler ASM	13	116-0171	1	RH Hydro Guard ASM
2	109-6658	1	Nut-Nyloc 3/8-16 Flg	13:2	116-8726	1	Decal-Oil, Hydro
3	126-1325	1	LH Hydro ASM (16Cc W/ Shock)	14	109-9057	1	Guard-Hydro, Rear (LH)
4	126-9835	1	Belt-V	15	109-9058	1	Guard-Hydro, Rear (RH)
5	116-6317	1	Spring-Extension	16	1-803035	2	Rivet 3/16 X 1/4
6	116-7558	1	Cradle-Hydro	17	116-2362	1	Deflector-Air Flow
7	116-1502	1	Bolt-Carriage Shoulder 3/8-16 X 3 1/2	18	109-9905	1	Sheave
8	126-0095	6	Bolt-Carriage 1/2-13 X 2 3/4	19	1-807259	1	Key-Machine 1/4 X 1/4 X 1
9	99-5107	6	Nut-Lock 1/2-13	99	109-9828	1	Bottle-Oil, 32Oz Hydraulic ●
10	325-8	4	Screw-HH 1/2-13 X 1 1/4	99	116-0164	1	Filter-Hydro ●
11	126-1326	1	RH Hydro ASM (16Cc W/ Shock)	99	116-1218	1	Bottle,Oil 1 Gallon Hydraulic ●
12	116-0170	1	LH Hydro Guard ASM	99	126-8103	1	Kit, Hydro Service ●
12:2	116-8726	1	Decal-Oil, Hydro	99:1	116-1218	1	Bottle,Oil 1 Gallon Hydraulic ●
				99:3	116-0164	2	Filter-Hydro ●

● Not illustrated

LH Hydro Assembly No. 126-1325

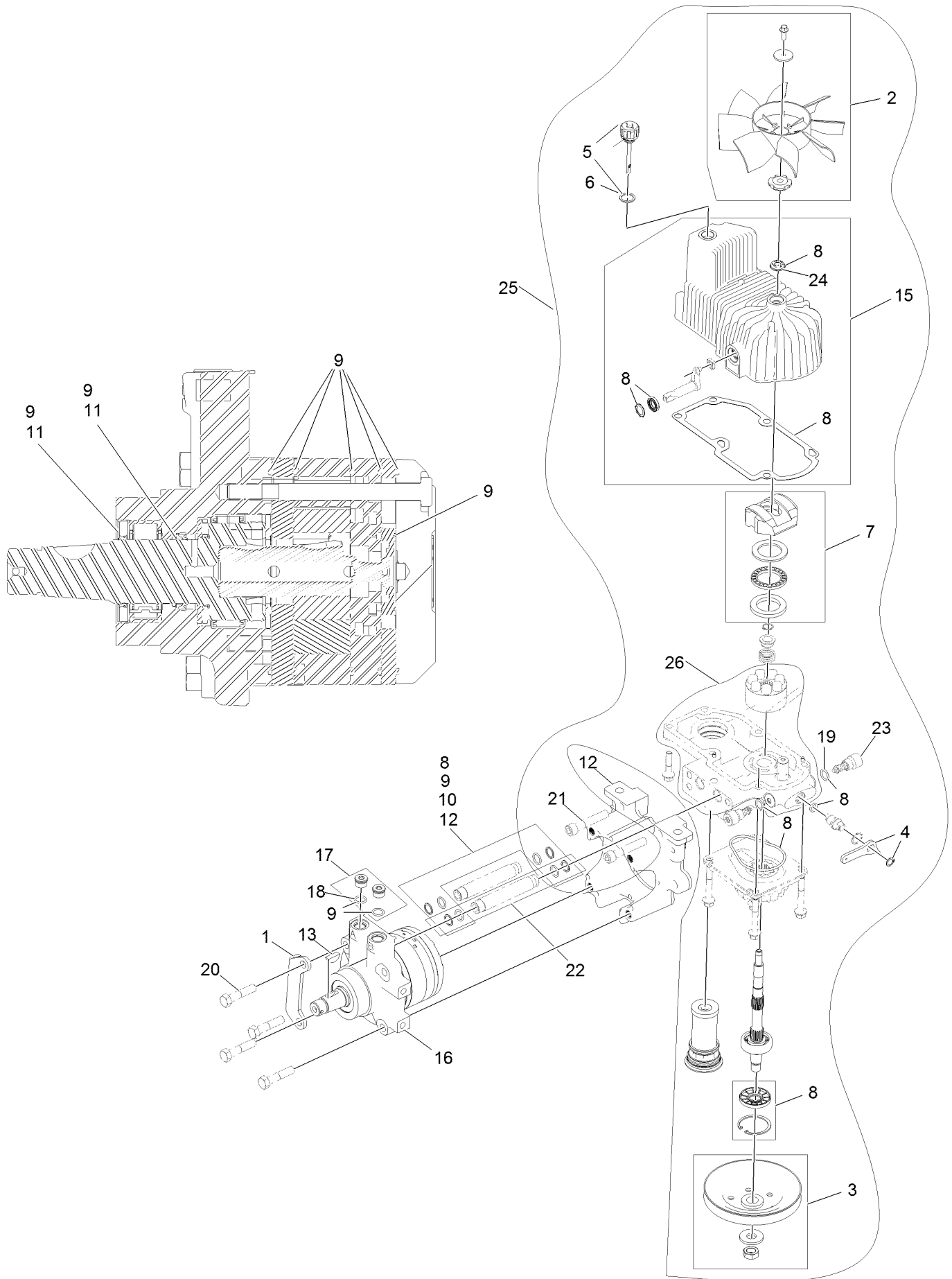


LH Hydro Assembly No. 126-1325 (continued)

<i>Ref.</i>	<i>Part Number</i>	<i>Qty.</i>	<i>Description</i>	<i>Ref.</i>	<i>Part Number</i>	<i>Qty.</i>	<i>Description</i>
2	116-0233	1	Fan Kit	16	116-8917	1	Motor-Hydraulic, LH 280Cc
3	116-0234	1	Pulley Kit	17	116-7901	1	Magnetic Plugs Service Kit
4	116-0235	1	Handle-Bypass Valve, Hydro	18	76-1900	2	O-Ring
5	116-0236	1	Dipstick-Hydro W/Gasket	19	116-8662	2	O-Ring-Check Valve
6	116-0237	1	Gasket-Dipstick, Hydro	20	116-8974	4	Screw-HH 1/2-20 X 2 1/4
7	116-1367	1	Swash Block Kit	21	116-8975	2	Screw-HSH 1/2-20 X 2 3/4
8	116-1368	1	Pump Seal Kit	22	116-9922	2	Hydraulic Tube Kit
9	116-1369	1	Motor Seal Kit	23	126-7467	2	Shock Valve, 16Cc Hydro
10	116-1370	1	Tube Seal Kit	24	126-7711	1	Seal-Fan Drive
11	116-1371	1	Output Shaft Seal Kit	25	135-6825	1	16Cc LH Pump Section Kit
12	116-5469	1	Nose Cup-Uht	26	135-6829	1	16Cc LH Rotating Grp Kit
13	3257-42	1	Key-Woodruff 5/16 X 1	99	116-1373	1	Flow Test Kit ●
15	116-3287	1	Housing-LH	99	116-4245	1	Puller-Pulley

● Not illustrated

RH Hydro Assembly No. 126-1326

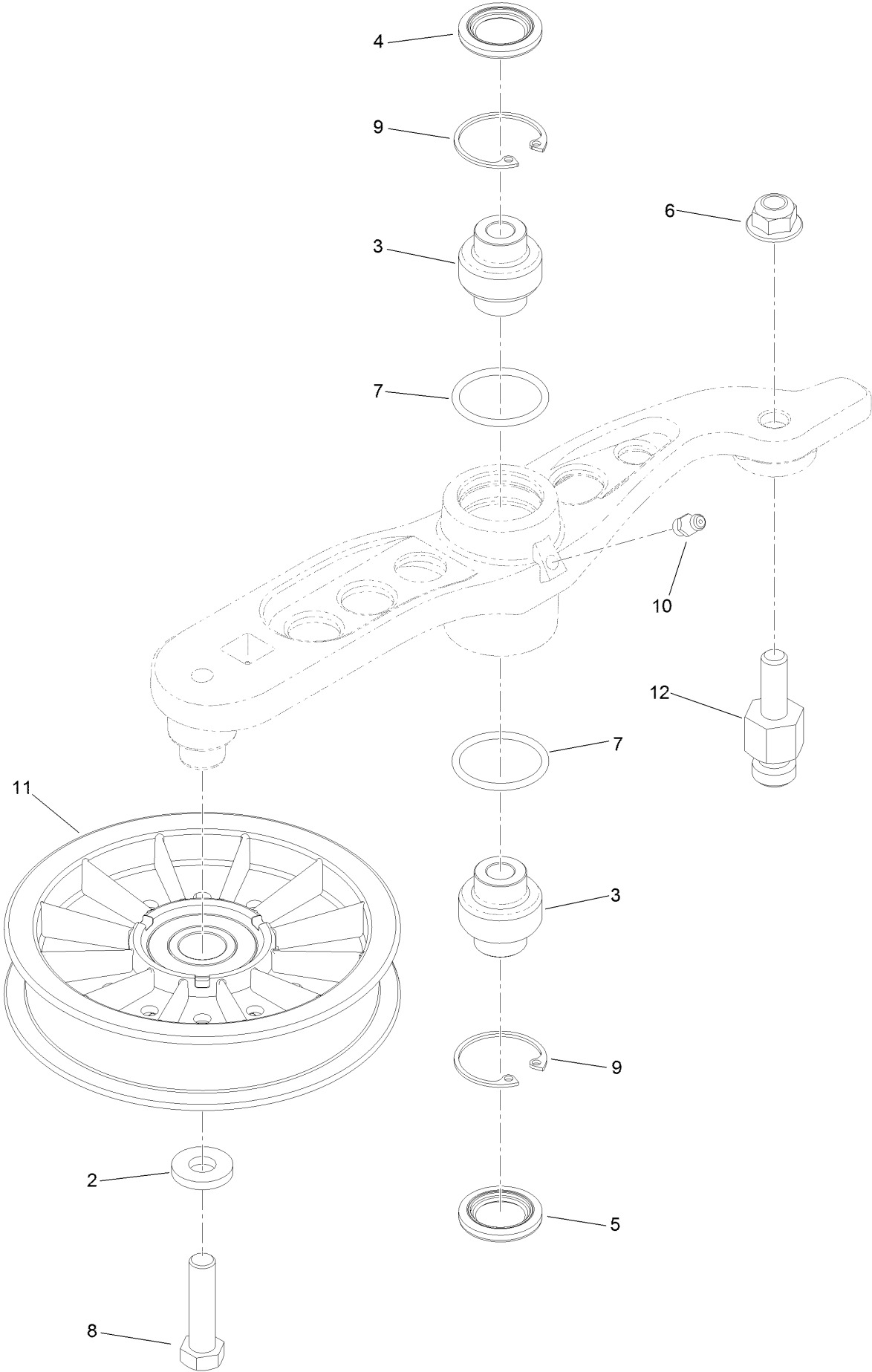


RH Hydro Assembly No. 126-1326 (continued)

<i>Ref.</i>	<i>Part Number</i>	<i>Qty.</i>	<i>Description</i>	<i>Ref.</i>	<i>Part Number</i>	<i>Qty.</i>	<i>Description</i>
1	116-9063	1	Mount-Shoe, Horse	15	116-3288	1	Housing-RH
2	116-0233	1	Fan Kit	16	116-8918	1	Motor-Hydraulic, RH 280Cc
3	116-0234	1	Pulley Kit	17	116-7901	1	Magnetic Plugs Service Kit
4	116-0235	1	Handle-Bypass Valve, Hydro	18	76-1900	2	O-Ring
5	116-0236	1	Dipstick-Hydro W/Gasket	19	116-8662	2	O-Ring-Check Valve
6	116-0237	1	Gasket-Dipstick, Hydro	20	116-8974	4	Screw-HH 1/2-20 X 2 1/4
7	116-1367	1	Swash Block Kit	21	116-8975	2	Screw-HSH 1/2-20 X 2 3/4
8	116-1368	1	Pump Seal Kit	22	116-9922	2	Hydraulic Tube Kit
9	116-1369	1	Motor Seal Kit	23	126-7467	2	Shock Valve, 16Cc Hydro
10	116-1370	1	Tube Seal Kit	24	126-7711	1	Seal-Fan Drive
11	116-1371	1	Output Shaft Seal Kit	25	135-6824	1	Kit, Pump Section 16Cc RH
12	116-5469	1	Nose Cup-Uht	26	135-6828	1	Kit, Rotating Grp 16Cc RH
13	3257-42	1	Key-Woodruff 5/16 X 1	99	116-1373	1	Flow Test Kit ●
				99	116-4245	1	Puller-Pulley

● Not illustrated

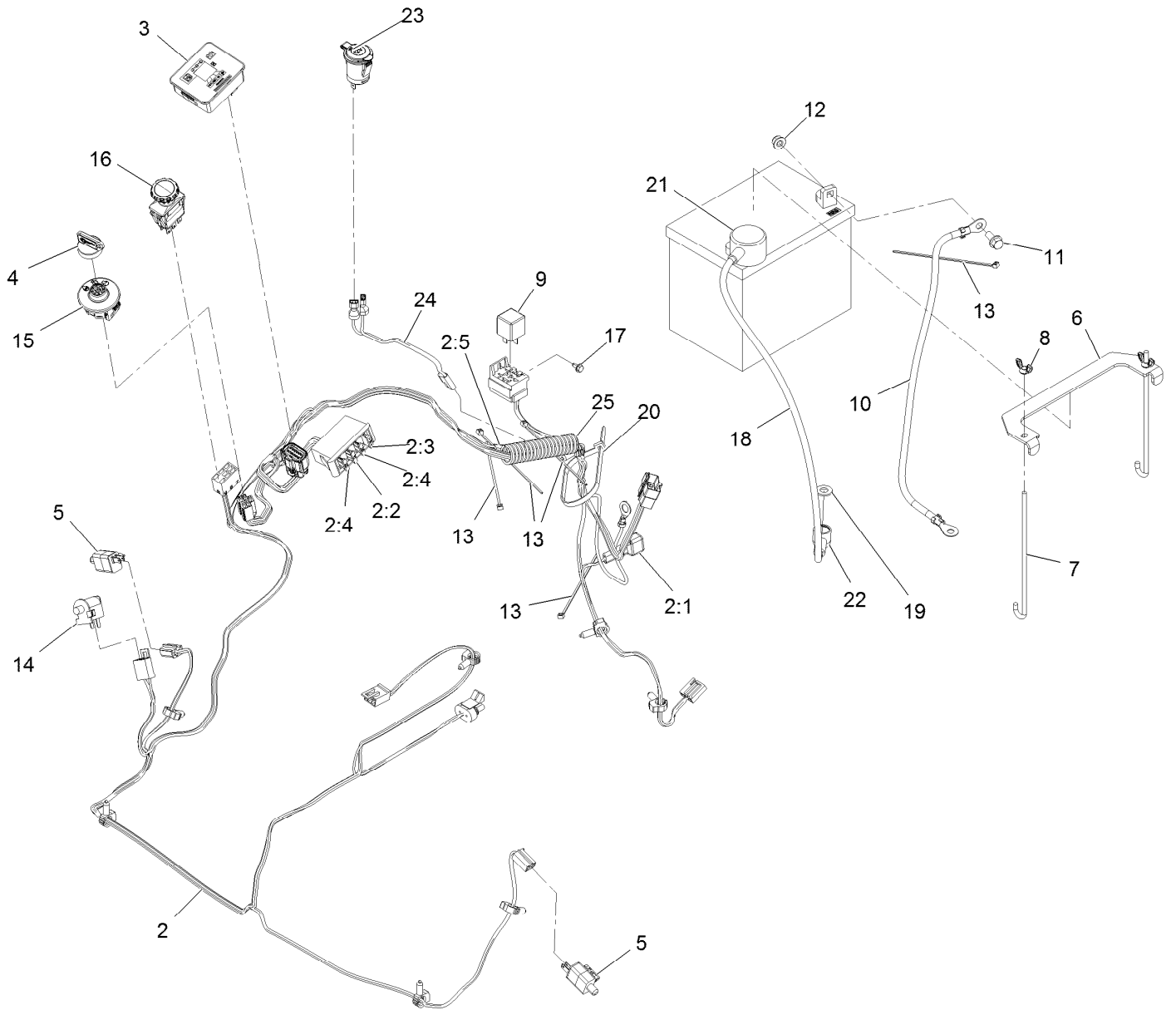
Pump Idler Assembly No. 116-1255



Pump Idler Assembly No. 116-1255 (continued)

<i>Ref.</i>	<i>Part Number</i>	<i>Qty.</i>	<i>Description</i>	<i>Ref.</i>	<i>Part Number</i>	<i>Qty.</i>	<i>Description</i>
2	43-0940	1	Spacer	8	323-8	1	Screw-HH
3	103-3504	2	Bearing-Spherical	9	32120-10	2	Ring-Snap
4	103-3505	1	Seal-Lip, Double	10	302-19	1	Fitting-Grease
5	103-3506	1	Seal-Lip, Single	11	109-8076	1	Pulley-Idler
6	109-6658	1	Nut-Flange, NI	12	132-4724	1	Pin-Anchor, Spring
7	106-7159	2	O-Ring				

Electrical Assembly



Electrical Assembly (continued)

<i>Ref.</i>	<i>Part Number</i>	<i>Qty.</i>	<i>Description</i>	<i>Ref.</i>	<i>Part Number</i>	<i>Qty.</i>	<i>Description</i>
2	116-6009	1	Harness-Wire, Main ●	11	3234-5	2	Screw-HH Flg 5/16-18 X 3/4
2:1	103-3895	1	Diode	12	104-8300	2	Nut-Nyloc 5/16-18 Flg
2:2	218-578	1	Fuse-Blade, 10 Amp	13	1-303287	5	Tie-Cable 5 1/2 (Small)
2:3	109355	1	Fuse-Blade, 15 Amp	14	82-2190	1	Switch
2:4	109102	2	Fuse-Blade, 25 Amp	15	137-4100	1	Switch-Ignition
2:5	116-0053	1	Cap-Plug	16	116-0124	1	Switch-PTO, 10 Amp
3	117-3882	1	Fuel/Hour Meter ASM	17	104-2065	1	Screw-HWH #10-24 X 3/8
4	1-603511	1	Key-Ignition	18	115-3864	1	Cable-Battery, Positive
4	103-2106	1	Key-Exmark Logo	19	3256-24	1	Washer-3/8 SAE
5	110-6765	2	Switch	20	1-303335	1	Tie-Cable 7 15/16 (Large)
6	116-0042-03	1	Strap-Tie Down, Battery	21	109-2407	1	Insulator-Battery
7	1-633651	2	Bolt-Holddown	22	1-543393	1	Insulator-Solenoid
8	1-543792	2	Wingnut-Nyloc 1/4-20	23	126-6499	1	Port-Power, 12V
9	1-643275	1	Relay-12Vdc 40 Amp	24	109-9693	1	Harness, Receptacle 12V
10	114-1218	1	Cable-Battery, Negative	25	131-8846	1	Cover-Hose

● Use dielectric grease on all unsealed connectors and terminals only. Do not apply in sealed connectors.

EXMARK ACCESSORIES AND OPTIONS*

MID-MOUNT RIDING ACCESSORIES AND OPTIONS

CUSTOM RIDE SEAT SUSPENSION SYSTEM	OPERATOR CONTROLLED DISCHARGE
FULL SUSPENSION SEAT	SUN SHADE
DECK LIFT ASSIST KIT	TRASH CONTAINER
HITCH KIT	TURF STRIPER
LIGHT KIT	ULTRA VAC COLLECTION SYSTEM
12V POWER PORT	ULTRA VAC QUICK DISPOSAL SYSTEM
MICRO-MULCH SYSTEM	

OUT-FRONT RIDING ACCESSORIES AND OPTIONS

CUSTOM RIDE SEAT SUSPENSION SYSTEM	SNOW BLADE
DUAL-TAIL WHEEL	SNOWBLOWER
FLOOR PAN EXTENDER	SUN SHADE
HITCH KIT	TRASH CONTAINER
LIGHT KIT	ULTRA VAC COLLECTION SYSTEM
MICRO-MULCH SYSTEM	ULTRA VAC QUICK DISPOSAL SYSTEM
ROLL OVER PROTECTION SYSTEM (ROPS)	WEATHER CAB

WALK-BEHIND ACCESSORIES AND OPTIONS

GRASS CATCHER	TURF STRIPER
MICRO-MULCH SYSTEM	STANDON

*Some accessories and options not available for some models.

Place Model No. and Serial No.
Label Here (Included in the Literature
Pack) or Fill in Below

Model No. _____

Serial No. _____

Date Purchased _____

Engine Model No. and Spec. No. _____

Engine Serial No. (E/No) _____

© 2019 Exmark Mfg. Co., Inc.
2101 Ashland Ave
Beatrice, NE 68310
All Rights Reserved

Part No. 4504-117 Rev. B
(402) 223-6375
Fax (402) 223-5489
Printed in the USA.

