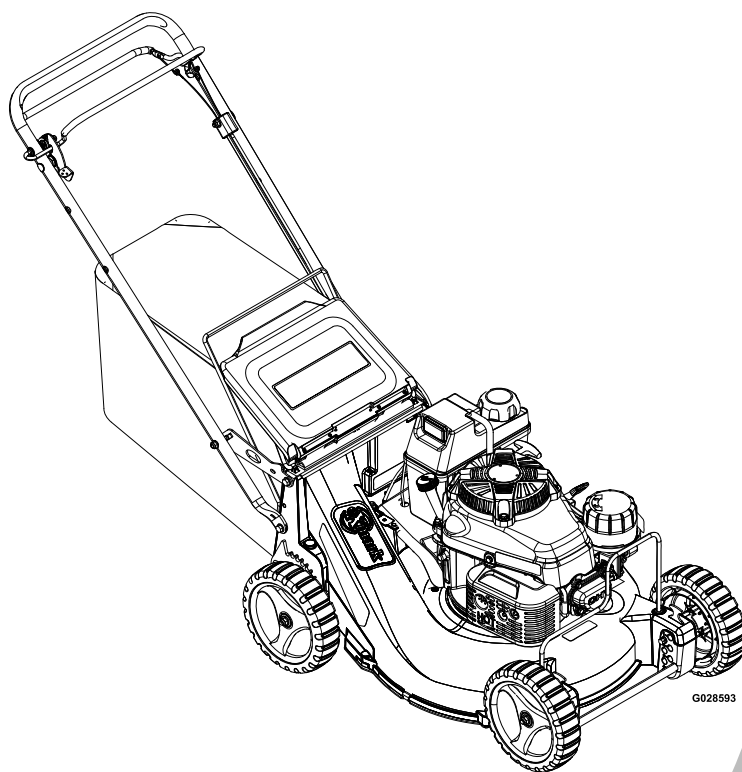




COMMERCIAL 21

Model No. ECX160CHN21000—Serial No. 404314159 and Up

Picture below may not reflect actual product.



Parts Manual

Part No. 4503-955 Rev. A

Ordering Replacement Parts

To order replacement parts, please supply the part number, the quantity, and the description of each part desired.

Understanding Reference Numbers

Each identified part in an illustration has a reference number. The reference number for a part also appears in the parts list, along with other information about the part.

This catalog uses two special reference number formats, one to indicate parts in a service assembly and another to indicate the quantity of a given part in an illustration.

Service Assembly Reference Numbers

Parts in service assemblies have reference numbers in the form a:b. The a represents the reference number of the entire service assembly and the b represents a sequential number unique to each part within the service assembly.

For example, a wheel assembly might be identified by reference number 6, the tire by 6:1, the valve by 6:2, and the wheel by 6:3. When you order the assembly identified by reference number 6, you receive all parts identified by reference numbers 6:1, 6:2, and 6:3. However, you may also order any part individually. Reference numbers of this type appear in illustration and in parts lists.

Reference Numbers Indicating Quantity

In an illustration, if a reference number indicates more than one part, the reference number has the form nX y. The n represents the quantity of the part, the X is the multiplication symbol, and the y represents the reference number.

For example, in an illustration, the reference number 2X 37 means that two of the parts identified by reference number 37 are indicated.

Touch Up Paint

Exmark black touch up spray paint – gloss black.

Exmark red touch up paint (spray paint – P/N 1-850337 - .6 oz liquid bottle – P/N 103-9140).

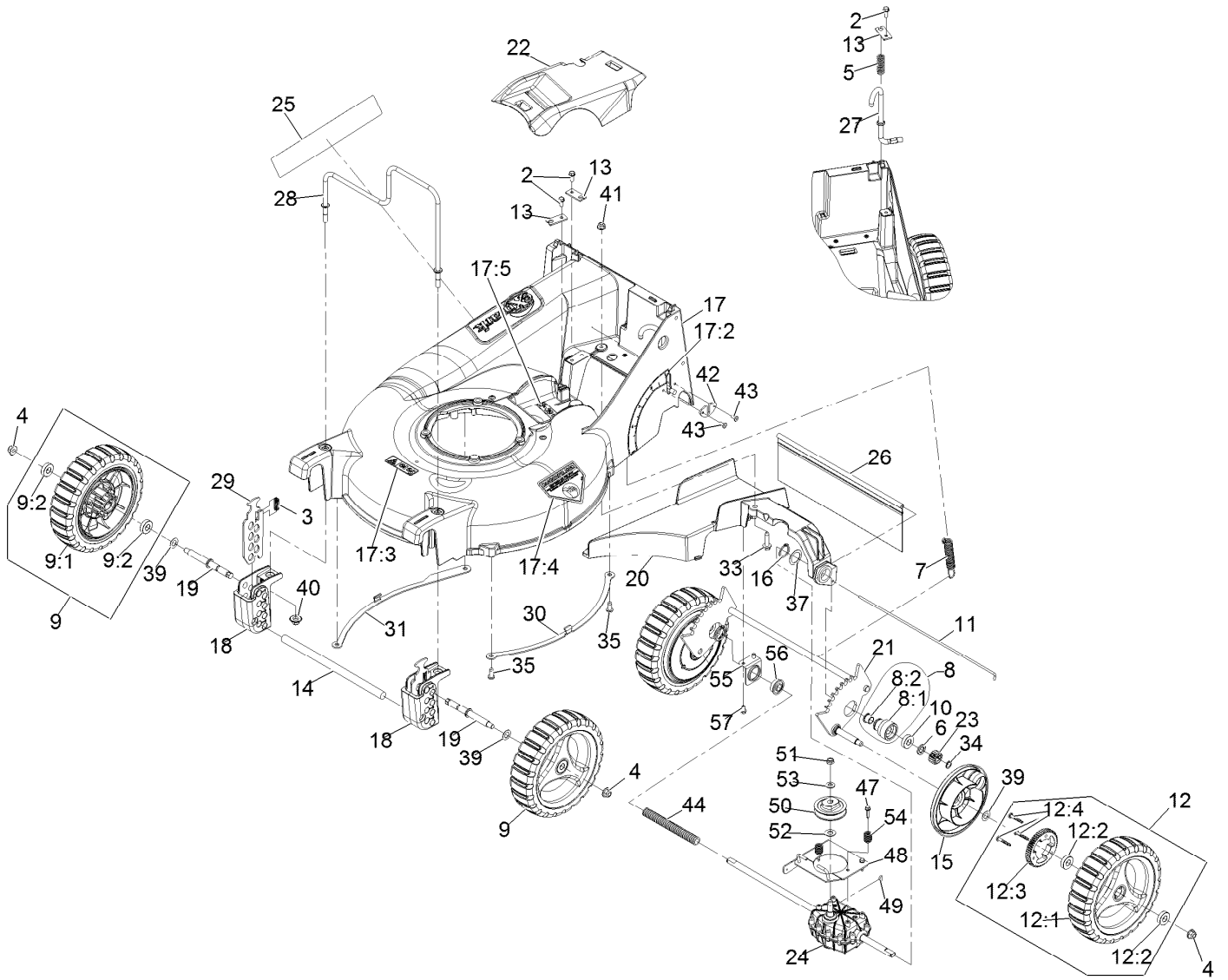


If your Exmark dealer does not have the Exmark part in stock, Exmark will get the parts to the dealer the next business day or the part will be FREE Guaranteed!! (Some restrictions apply. See your participating Exmark Dealer for details.)

Contents

Deck and Wheel Assembly 4
Handle Assembly 6
Bag and Door Assembly 8
Blade Assembly 10
Engine Assembly 12

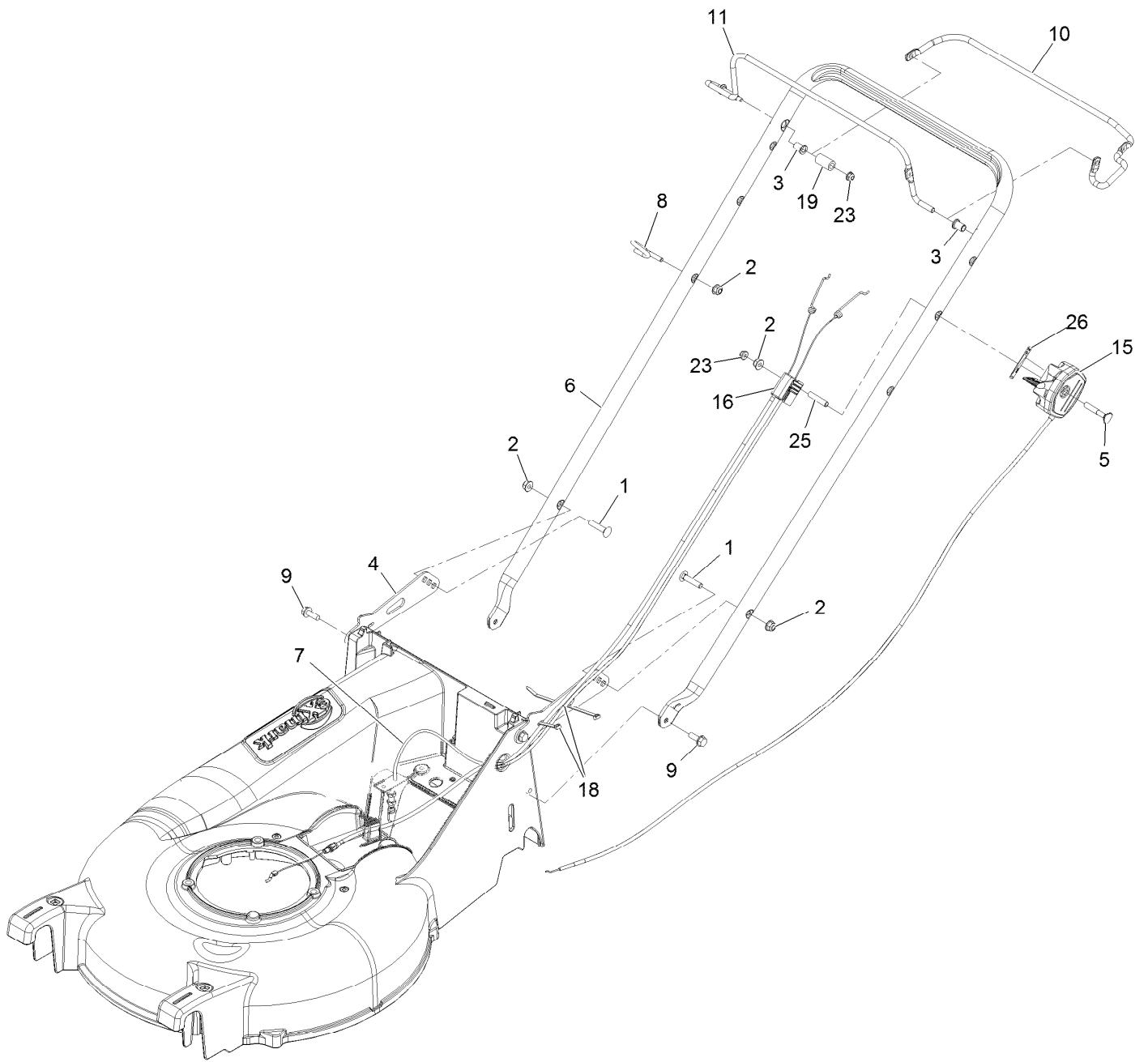
Deck and Wheel Assembly



Deck and Wheel Assembly (continued)

| <i>Ref.</i> | <i>Part Number</i> | <i>Qty.</i> | <i>Description</i> | <i>Ref.</i> | <i>Part Number</i> | <i>Qty.</i> | <i>Description</i> |
|-------------|--------------------|-------------|--------------------------------|-------------|--------------------|-------------|-------------------------------------|
| 2 | 32144-85 | 2 | Screw-HWH 1/4-20 X .62 | 22 | 109-9324 | 1 | Cover,Belt |
| 3 | 109-7258 | 2 | Spring-Compression | 23 | 131-5399 | 2 | Gear-Pinion, 15T |
| 4 | 104-8301 | 4 | Nut-Nyloc 3/8-16 Flg | 24 | 116-9906 | 1 | Transmission-HD, 4.5/1 |
| 5 | 109-7694 | 1 | Spring-Compression | 25 | 126-6886 | 1 | Decal-Comm 21 X-Series |
| 6 | 108-5059 | 2 | Spacer-Bushing | 26 | 116-0252 | 1 | Shield-Trailing P21 |
| 7 | 109-7692 | 1 | Spring-Extension | 27 | 116-0329 | 1 | Rod-Height Adj P21 |
| 8 | 116-6172 | 2 | Housing ASM | 28 | 116-0522 | 1 | Guard,Engine |
| 8:1 | 116-6171 | 1 | Housing-Bearing | 29 | 109-9292 | 2 | Plate, Front Height |
| 8:2 | 116-4279 | 1 | Bearing-Flange | 30 | 116-0995-03 | 1 | Skid,LH |
| 9 | 126-7347 | 2 | Wheel ASM, 9" W/Bearings | 31 | 116-0996-03 | 1 | Skid,RH |
| 9:1 | 126-7345 | 1 | Wheel ASM, 9" | 33 | 32144-49 | 1 | Screw-HWH 5/16-18 1 1/4 Tf |
| 9:2 | 133-2603 | 2 | Bearing-Ball | 34 | 32151-61 | 2 | Ring-Retaining |
| 10 | 133-2603 | 2 | Bearing-Ball | 35 | 613381 | 4 | Screw-Button Head 5/16-18 X .725 Tf |
| 11 | 109-8025 | 1 | Rod,Shield | 37 | 74-1810 | 2 | Washer |
| 12 | 126-7758 | 2 | Wheel ASM, 9 W/Gear | 39 | 36-4780 | 4 | Washer |
| 12:1 | 126-7345 | 1 | Wheel ASM, 9" | 40 | 109-6658 | 2 | Nut-Nyloc 3/8-16 Flg |
| 12:2 | 133-2603 | 2 | Bearing-Ball | 41 | 104-8300 | 1 | Nut-Nyloc 5/16-18 Flg |
| 12:3 | 133-2625 | 1 | Gear-Wheel, 52T | 42 | 116-2221 | 1 | Plate,Wear |
| 12:4 | 130-6426 | 3 | Stud-Drive | 43 | 114439 | 2 | Rivet |
| 13 | 109-8441 | 2 | Bracket,Mount | 44 | 126-2335 | 1 | Cover-Shaft-Drive |
| 14 | 109-8454 | 1 | Rod,Bumper | 47 | 27-0220 | 3 | Screw-Special |
| 15 | 126-8259 | 2 | Cover,Gear | 48 | 116-3539-03 | 1 | Transmission Plate ASM |
| 16 | 32151-36 | 2 | Ring-Retaining | 49 | 3257-1 | 1 | Key-Woodruff 1/8 X 1/2 |
| 17 | 116-2006 | 1 | Deck W/Decals | 50 | 39-6740 | 1 | Pulley |
| 17:2 | 116-1922 | 1 | Decal-Height Of Cut | 51 | 3296-5 | 1 | Nut-Nyloc 3/8-24 Thin |
| 17:3 | 130-9670 | 1 | Decal-Warning, Blade | 52 | 36-4792 | 1 | Washer-Thrust |
| 17:4 | 94-8072 | 1 | Decal-Danger | 53 | 3256-45 | 1 | Washer-Flat |
| 17:5 | 119-0217 | 1 | Decal-Danger | 54 | 116-1438 | 2 | Spring,Compression |
| 18 | 109-9302 | 2 | Block,Front Quadrant | 55 | 138-3233 | 1 | Mount-Bearing |
| 19 | 116-0994 | 2 | Axle-Wheel | 56 | 104-8699 | 1 | Bearing-Ball |
| 20 | 116-9646-01 | 1 | Bracket-Transmission And Chute | 57 | 9266714 | 2 | Screw-HWH 1/4-20 X .50 |
| 21 | 109-9312 | 1 | Wld,Rear Axle P21 | | | | |

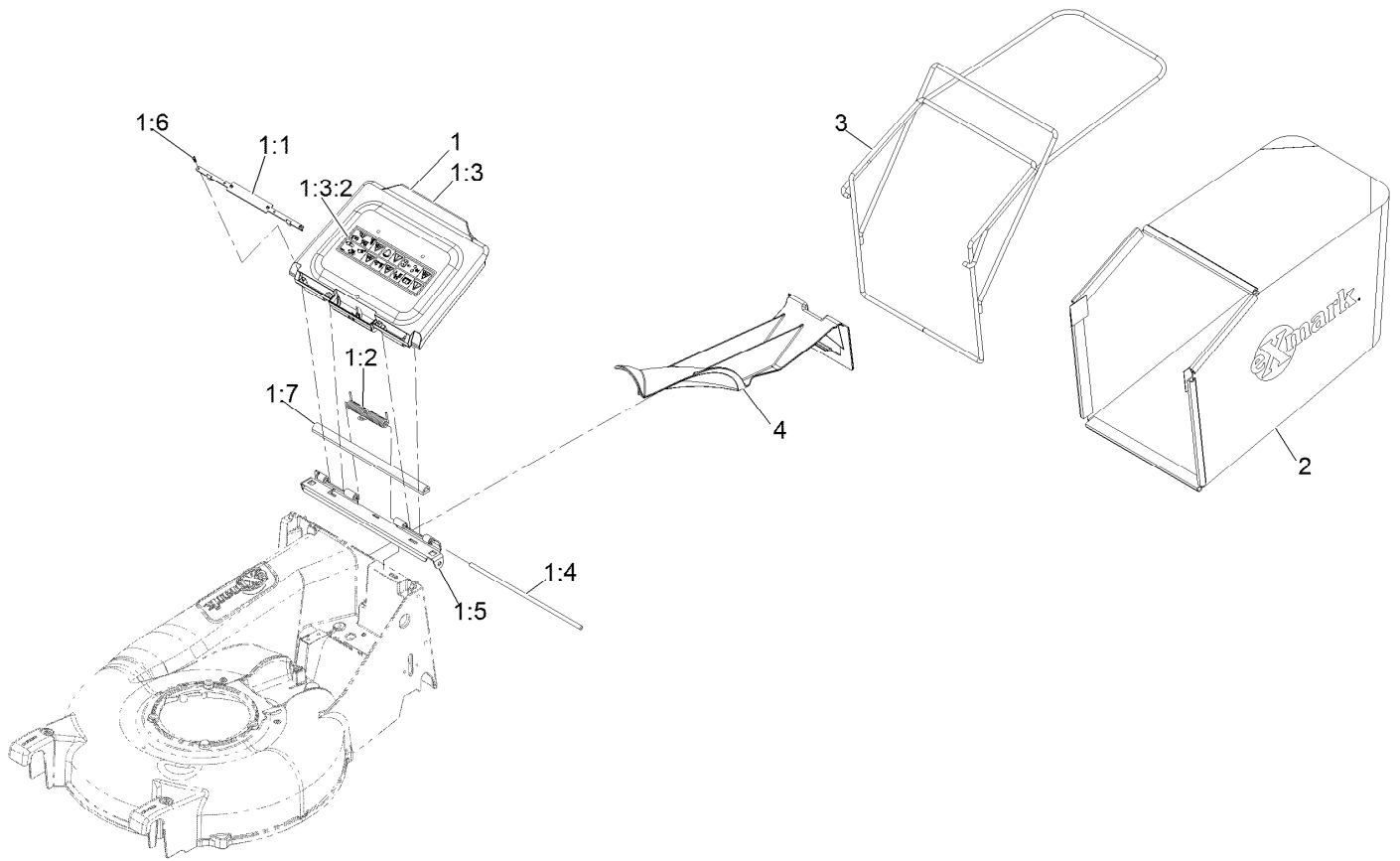
Handle Assembly



Handle Assembly (continued)

| <i>Ref.</i> | <i>Part Number</i> | <i>Qty.</i> | <i>Description</i> | <i>Ref.</i> | <i>Part Number</i> | <i>Qty.</i> | <i>Description</i> |
|-------------|--------------------|-------------|-----------------------------------|-------------|--------------------|-------------|-----------------------|
| 1 | 33-5790 | 2 | Bolt-Carriage 5/16-18 X 1 1/2 | 10 | 116-7907 | 1 | Bail-Drive Coated |
| 2 | 104-8300 | 3 | Nut-Nyloc 5/16-18 Flg | 11 | 109-8442 | 1 | Bail |
| 3 | 116-1478 | 2 | Bushing-Handlebar | 15 | 116-4424 | 1 | Cable-Throttle/Choke |
| 4 | 109-9323-03 | 2 | Bracket,Handlebar | 16 | 116-4443 | 1 | Cable-Zone Honda |
| 5 | 321-23 | 1 | Screw-HH | 18 | 614249 | 2 | Tie-Cable |
| 6 | 116-0119-03 | 1 | Handlebar-P21 | 19 | 1-603401 | 1 | Spacer |
| 7 | 126-7397 | 1 | Cable, Drive Ec21 | 23 | 104-7201 | 2 | Nut-Nyloc 1/4-20 Flg |
| 8 | 116-1056 | 1 | Guide,Rope | 25 | 116-3035 | 1 | Spacer-Throttle |
| 9 | 32144-41 | 4 | Screw-HWH 3/8-16 X 7/8 Taptite | 26 | 103-6327 | 1 | Decal, Throttle/Choke |

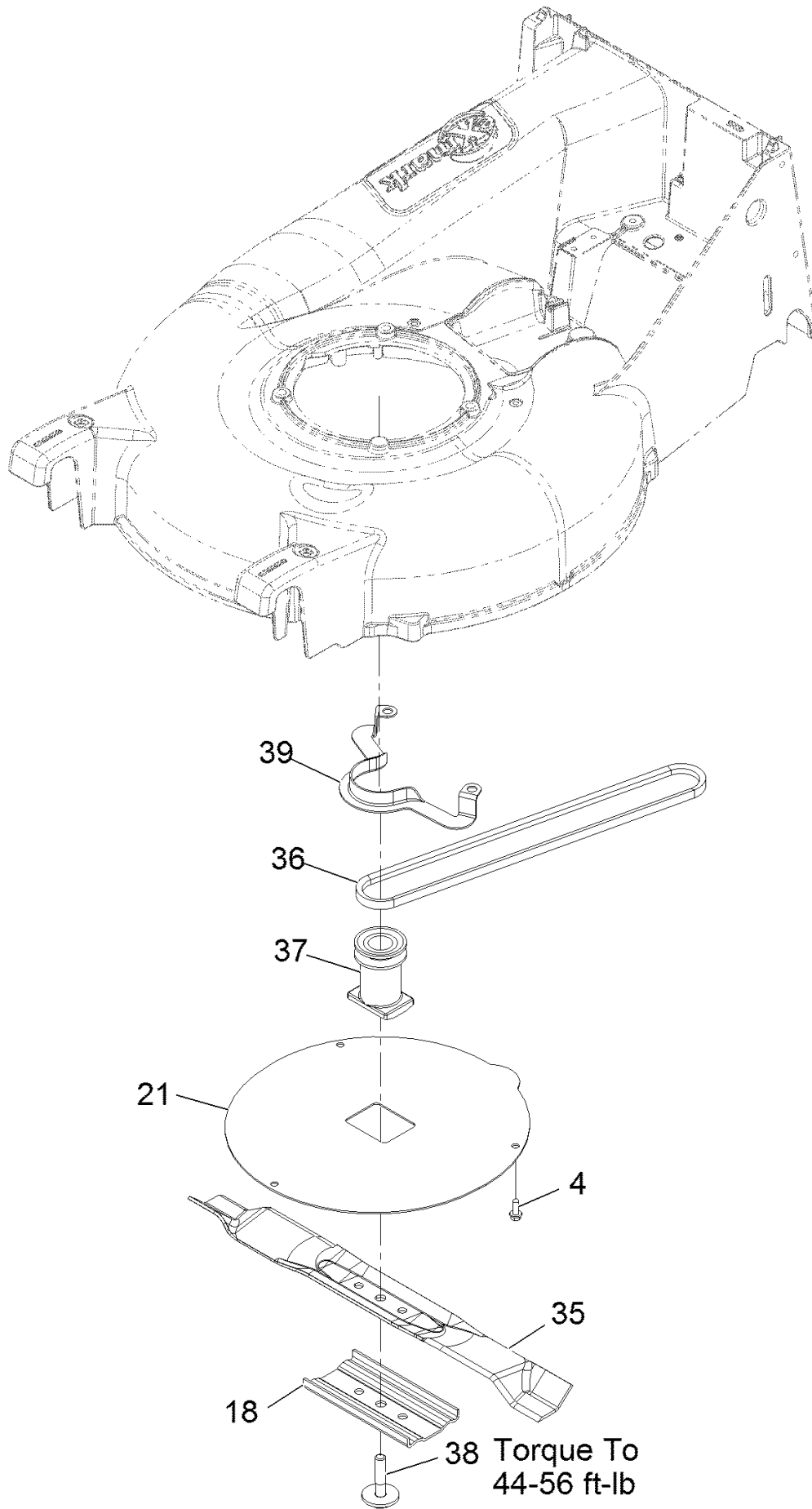
Bag and Door Assembly



Bag and Door Assembly (continued)

| <i>Ref.</i> | <i>Part Number</i> | <i>Qty.</i> | <i>Description</i> | <i>Ref.</i> | <i>Part Number</i> | <i>Qty.</i> | <i>Description</i> |
|-------------|--------------------|-------------|---------------------|-------------|--------------------|-------------|--------------------------------------|
| 1 | 126-6086 | 1 | Door ASM | 1:6 | 363-1596 | 4 | Scr,TAP,6-19X7/16,Phph, Stl, Rohs |
| 1:1 | 126-2628-03 | 1 | Plate, Door Cover | 1:7 | 126-5438 | 1 | Seal-Epdm Foam Bulb |
| 1:2 | 126-2627 | 1 | Spring-Plastic Door | 2 | 126-2630 | 1 | Bag-21 Grass |
| 1:3 | 126-4200 | 1 | ASM-Door & Decal | 3 | 126-2631-03 | 1 | Wld-Bag Frame |
| 1:3:2 | 116-7583 | 1 | Decal-Warning | 4 | 116-0251 | 1 | Plug,Mulch |
| 1:4 | 126-2635 | 1 | Pin-Door Pivot | | | | |
| 1:5 | 126-2636-03 | 1 | Bracket-Door Pivot | | | | |

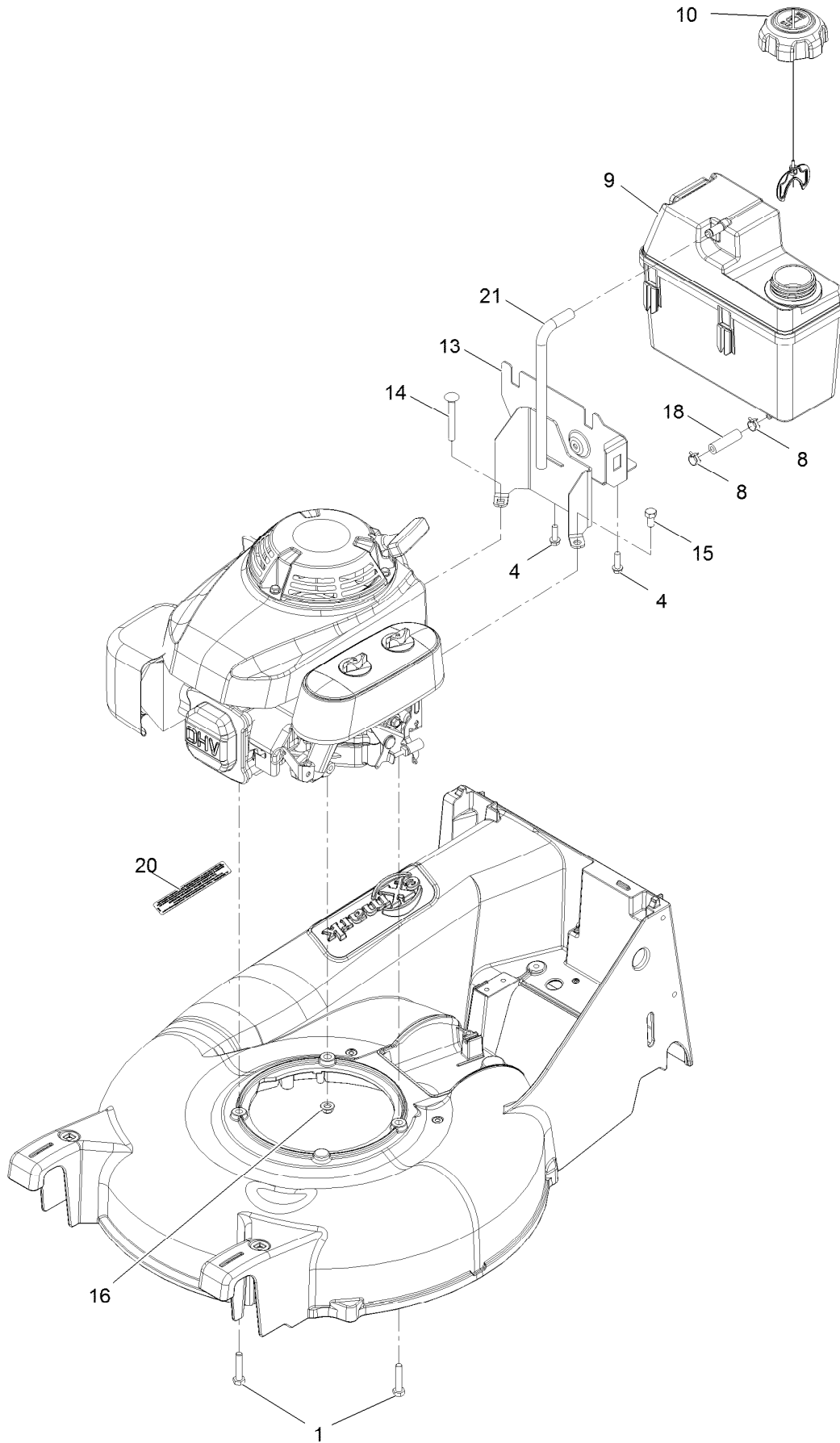
Blade Assembly



Blade Assembly (continued)

| <i>Ref.</i> | <i>Part Number</i> | <i>Qty.</i> | <i>Description</i> | <i>Ref.</i> | <i>Part Number</i> | <i>Qty.</i> | <i>Description</i> |
|-------------|--------------------|-------------|---------------------------|-------------|--------------------|-------------|--------------------|
| 4 | 32144-85 | 3 | Screw-HWH 1/4-20 X .62 | 36 | 109-7299 | 1 | Belt,3L P21 Drive |
| 18 | 108-3766-03 | 1 | Support-Blade | 37 | 109-7257 | 1 | Blade-Adapter |
| 21 | 116-3503-03 | 1 | Cover-As | 38 | 116-0005 | 1 | Bolt-Blade, Sem |
| 35 | 135-0413 | 1 | Blade - Medium Lift, 20.5 | 39 | 108-8110-03 | 1 | Guide-Belt |

Engine Assembly



Engine Assembly (continued)

| <i>Ref.</i> | <i>Part Number</i> | <i>Qty.</i> | <i>Description</i> | <i>Ref.</i> | <i>Part Number</i> | <i>Qty.</i> | <i>Description</i> |
|-------------|--------------------|-------------|------------------------------------|-------------|--------------------|-------------|----------------------------------|
| 1 | 3210-8 | 2 | Screw-HH 5/16-24 X 1 1/2 | 14 | 3230-8 | 1 | Bolt-Carriage 5/16-18 X 2 1/2 |
| 4 | 46-8091 | 2 | Screw-HWH 1/4-10 X .82 Plastite | 15 | 3210-2 | 1 | Screw-HH 5/16-24 X 5/8 |
| 8 | 2412-98 | 2 | Clamp-Hose | 16 | 104-8300 | 1 | Nut-Nyloc 5/16-18 Flg |
| 9 | 114-0280 | 1 | Tank-Fuel | 18 | 119-7856 | 1 | Hose-Fuel |
| 10 | 137-4127 | 1 | Cap-Fuel | 20 | 133-8062 | 1 | Decal-Arrestor, Spark |
| 13 | 116-5361-03 | 1 | Asm-Bracket | 21 | 115-0962 | 1 | Hose-Vent, Canister |

Notes:

Notes:

EXMARK ACCESSORIES AND OPTIONS*

MID-MOUNT RIDING ACCESSORIES AND OPTIONS

| | |
|------------------------------------|---------------------------------|
| CUSTOM RIDE SEAT SUSPENSION SYSTEM | OPERATOR CONTROLLED DISCHARGE |
| FULL SUSPENSION SEAT | SUN SHADE |
| DECK LIFT ASSIST KIT | TRASH CONTAINER |
| HITCH KIT | TURF STRIPER |
| LIGHT KIT | ULTRA VAC COLLECTION SYSTEM |
| 12V POWER PORT | ULTRA VAC QUICK DISPOSAL SYSTEM |
| MICRO-MULCH SYSTEM | |

OUT-FRONT RIDING ACCESSORIES AND OPTIONS

| | |
|------------------------------------|---------------------------------|
| CUSTOM RIDE SEAT SUSPENSION SYSTEM | SNOW BLADE |
| DUAL-TAIL WHEEL | SNOWBLOWER |
| FLOOR PAN EXTENDER | SUN SHADE |
| HITCH KIT | TRASH CONTAINER |
| LIGHT KIT | ULTRA VAC COLLECTION SYSTEM |
| MICRO-MULCH SYSTEM | ULTRA VAC QUICK DISPOSAL SYSTEM |
| ROLL OVER PROTECTION SYSTEM (ROPS) | WEATHER CAB |

WALK-BEHIND ACCESSORIES AND OPTIONS

| | |
|--------------------|--------------|
| GRASS CATCHER | TURF STRIPER |
| MICRO-MULCH SYSTEM | STANDON |

*Some accessories and options not available for some models.

Place Model No. and Serial No.
Label Here (Included in the Literature
Pack) or Fill in Below

Model No. _____

Serial No. _____

Date Purchased _____

Engine Model No. and Spec. No. _____

Engine Serial No. (E/No) _____

© 2019 Exmark Mfg. Co., Inc.
2101 Ashland Ave
Beatrice, NE 68310
All Rights Reserved

Part No. 4503-955 Rev. A
(402) 223-6375
Fax (402) 223-5489
Printed in the USA.

