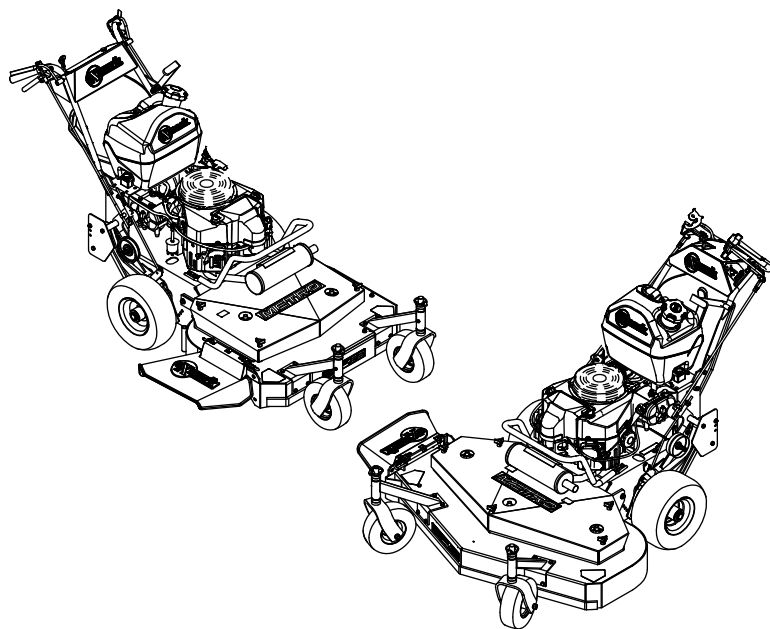




METRO®

Model No. MGS481CKA36200—Serial No. 404314159 and Up

Picture below may not reflect actual product.



Parts Manual

Part No. 4503-948 Rev. A

Ordering Replacement Parts

To order replacement parts, please supply the part number, the quantity, and the description of each part desired.

Understanding Reference Numbers

Each identified part in an illustration has a reference number. The reference number for a part also appears in the parts list, along with other information about the part.

This catalog uses two special reference number formats, one to indicate parts in a service assembly and another to indicate the quantity of a given part in an illustration.

Service Assembly Reference Numbers

Parts in service assemblies have reference numbers in the form a:b. The a represents the reference number of the entire service assembly and the b represents a sequential number unique to each part within the service assembly.

For example, a wheel assembly might be identified by reference number 6, the tire by 6:1, the valve by 6:2, and the wheel by 6:3. When you order the assembly identified by reference number 6, you receive all parts identified by reference numbers 6:1, 6:2, and 6:3. However, you may also order any part individually. Reference numbers of this type appear in illustration and in parts lists.

Reference Numbers Indicating Quantity

In an illustration, if a reference number indicates more than one part, the reference number has the form nX y. The n represents the quantity of the part, the X is the multiplication symbol, and the y represents the reference number.

For example, in an illustration, the reference number 2X 37 means that two of the parts identified by reference number 37 are indicated.

Touch Up Paint

Exmark black touch up spray paint – gloss black.

Exmark red touch up paint (spray paint – P/N 1-850337 - .6 oz liquid bottle – P/N 103-9140).

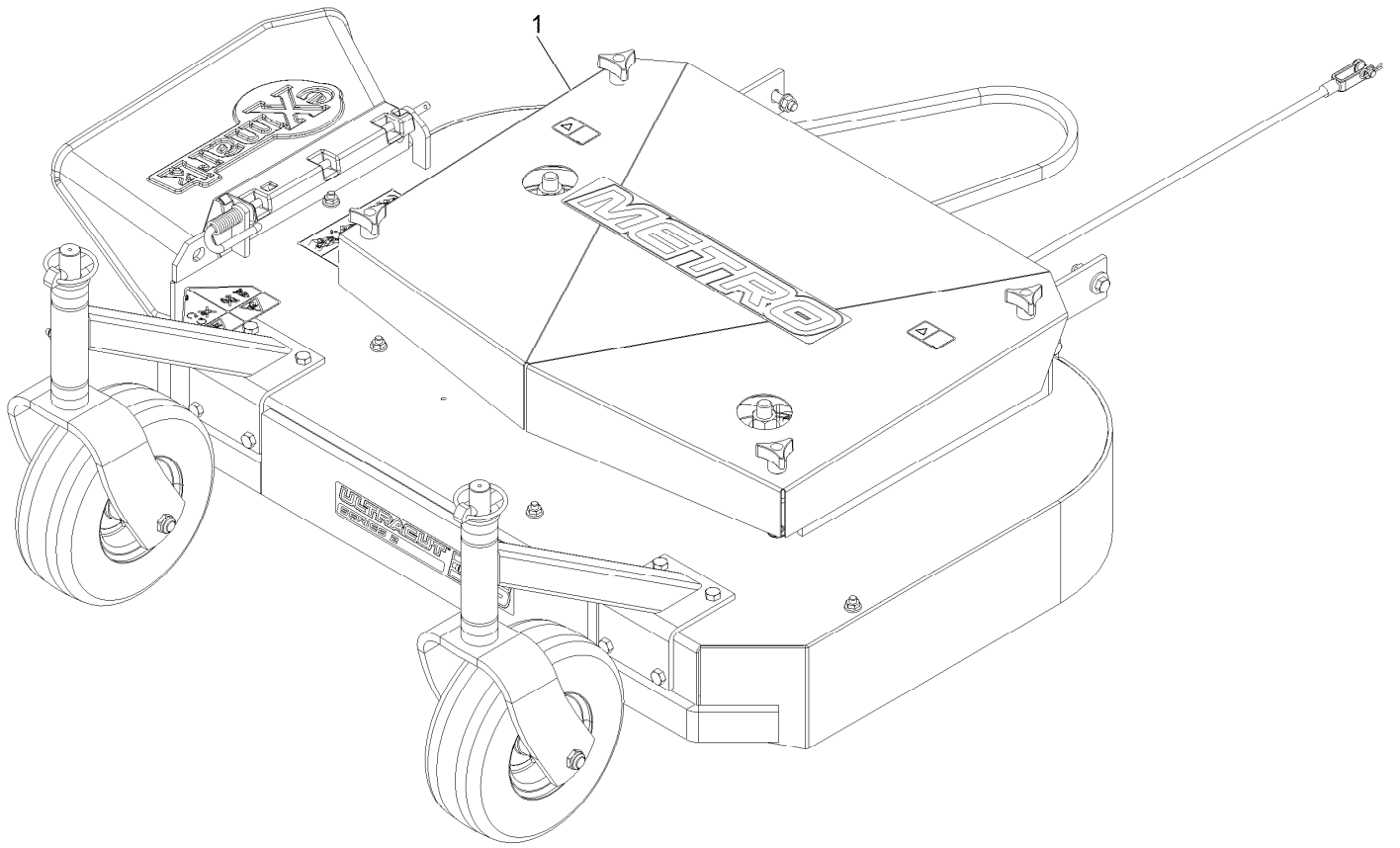


If your Exmark dealer does not have the Exmark part in stock, Exmark will get the parts to the dealer the next business day or the part will be FREE Guaranteed!! (Some restrictions apply. See your participating Exmark Dealer for details.)

Contents

Complete Deck Assembly.....	4
Deck Assembly.....	6
Deck W/Decals Assembly.....	8
Caster Mount W/Weight Assembly No. 116-8245.....	10
Caster Wheel Support W/Bearings 103-2296.....	12
Caster Wheel Assembly No. 103-1236.....	14
Engine Deck W/Transmission.....	16
Engine Deck W/Decals Assembly.....	18
Wheel and Tire Assembly.....	20
Engine Deck W/Transmission (cont.).....	22
Engine Assembly.....	24
ECS Upper Handle and Controls.....	26
Console W/Decals Assembly.....	28
Electrical Assembly.....	30
Fuel Tank Assembly.....	32

Complete Deck Assembly

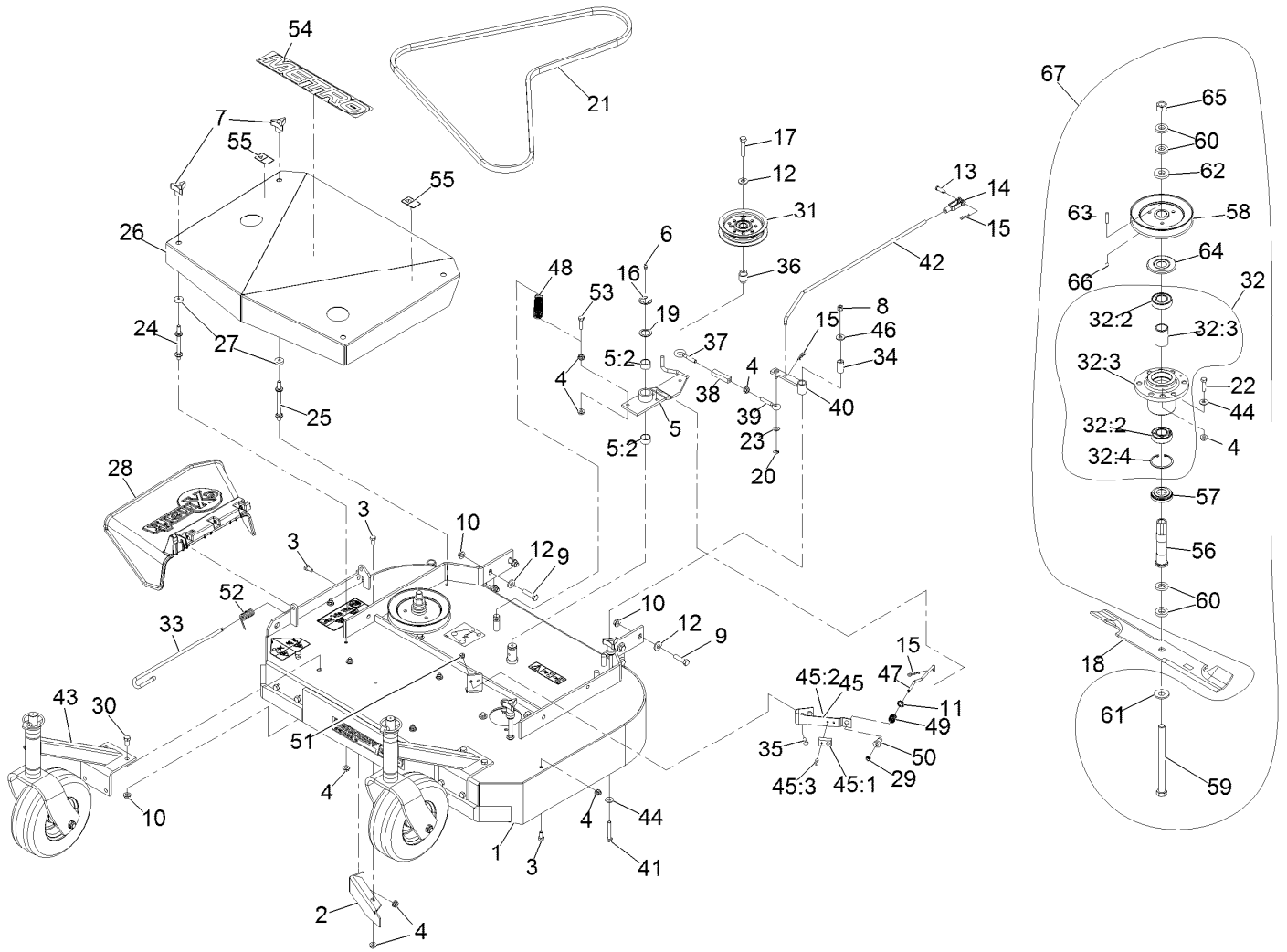


Complete Deck Assembly (continued)

<i>Ref.</i>	<i>Part Number</i>	<i>Qty.</i>	<i>Description</i>
1		1	Deck ASM-36 ●

● Not serviced separately

Deck Assembly



Deck Assembly (continued)

Ref.	Part Number	Qty.	Description	Ref.	Part Number	Qty.	Description
1	103-2312	1	Deck W/Decals And Dogleg	32:4	32120-8	1	Ring-Retaining
2	116-1730-01	1	Baffle-Dogleg	33	109-8854	1	Pin-Chute
3	322-2	7	Screw-HH 5/16-18 X 5/8	34	1-403179	1	Tube-Pivot
4	32128-20	22	Nut-Whizlock 5/16-18	35	321-4	2	Screw-HH 1/4-20 X 3/4
5	103-3600	1	Idler Arm ASM	36	1-303434	1	Bushing-Engagement
5:2	1-323729	2	Sleeve-Bearing	37	1-303348	1	Eyebolt-Thread, LH
6	302-19	1	Zerk-1/4-28 Str	38	1-303236	1	Body-Turnbuckle
7	1-323385	4	Knob-3 Prong	39	1-303238	1	Eyebolt-Thread, RH
8	3296-29	1	Nut-Nyloc 5/16-18	40	1-322235	1	Arm-Assist, 32/36
9	323-8	8	Screw-HH 3/8-16 X 1 1/2	41	322-10	1	Screw-HH 5/16-18 X 2
10	3290-357	8	Nut-Whizlock 3/8-16	42	1-323303	1	Arm-Assist, Linkage
11	1-323748	1	Ring-Push On	43	116-8245	2	ASM-Caster Mnt W/Weight
12	98-5975	9	Washer-Spring Disc 3/8	44	1-303334	9	Washer-Spring Disc 5/16
13	1-808280	1	Pin-Clevis 5/16 X 1 49/64	45	1-324372	1	Pad And Spring ASM
14	1-303105	1	Yoke-Adjustable	45:1	1-323709	1	Pad-Brake ●
15	1-806003	3	Hairpin-Cotter	45:2	1-323710	1	Spring ●
16	32151-103	1	E-Ring	45:3	103-0138	2	Rivet 3/16 X 1/2 ●
17	702809	1	Screw-HH	46	3256-3	1	Washer-5/16 Std
18	103-6582	2	Blade, 18.00 Mulching □	47	1-323715	1	Rod-Brake
18	103-6584	2	Blade, 18.00 Notched	48	1-323071	1	Spring-Extension
18	116-5176	2	Blade-Extreme 2, 18.00" ■	49	1-323747	1	Spring-Compression
18	103-6580	2	Blade, 18.00 Low Lift ■	50	1-323746	1	Spacer-Flanged
18	103-1578	2	Blade, Solid 18.00 ■	51	3296-42	2	Nut-Nyloc 1/4-20
19	1-303352	1	Washer-Spindle	52	116-0962	1	Spring, Torsion
20	32120-35	1	E-Ring	53	116-3515	1	Screw,HH Special 5/16-18 X 1.25
21	1-323733	1	Drive Belt (To Blades)	54	126-6890	1	Decal-Metro
22	322-6	8	Screw-HH 5/16-18 X 1 1/4	55	106-5517	2	Decal-Warning
23	3256-23	1	Washer-5/16 SAE	56	1-323529	2	Tube-Spindle, Short ○
24	1-303537	2	Stud-Shield, Belt (Short)	57	103-2535	2	Spacer-Guard Bottom
25	1-303536	2	Stud-Shield, Belt (Long)	58	1-403183	2	Sheave ○
26	116-2706	1	ASM,Shield W/Decals 36 Metro	59	1-800861	2	Screw-Cap, HH
27	1-323417	4	Washer-Belt Shield	60	1-323539	8	Spacer-Blade Drive
28	109-5151	1	Deflector-Discharge	61	1-513208	2	Washer-Spring Disc 5/8
29	3296-56	1	Nut-Nyloc 1/4-20 Thin	62	1-323339	2	Washer
30	323-4	8	Screw-HH 3/8-16 X 3/4	63	1-807267	2	Key-Machine 1/4 X 3/16 X 1 1/4
31	116-3626	1	Pulley-Idler	64	103-1330	2	Guard-Bearing Top ○
32	103-8280	2	Asm, Cutter Housing W/Bearings ○	65	3219-6	2	Nut-Hex 5/8-18
32		2	Cutter Housing ASM ▲	66	3246-18	2	Setscrew-5/16-18 X 3/8 ◆
32:2	103-2477	2	Bearing-Jackshaft	67	103-8387	2	Asm, Cutter Housing Complete
32:3	103-2534	1	Spacer-Bearing				

● Not illustrated

▲ Not serviced separately

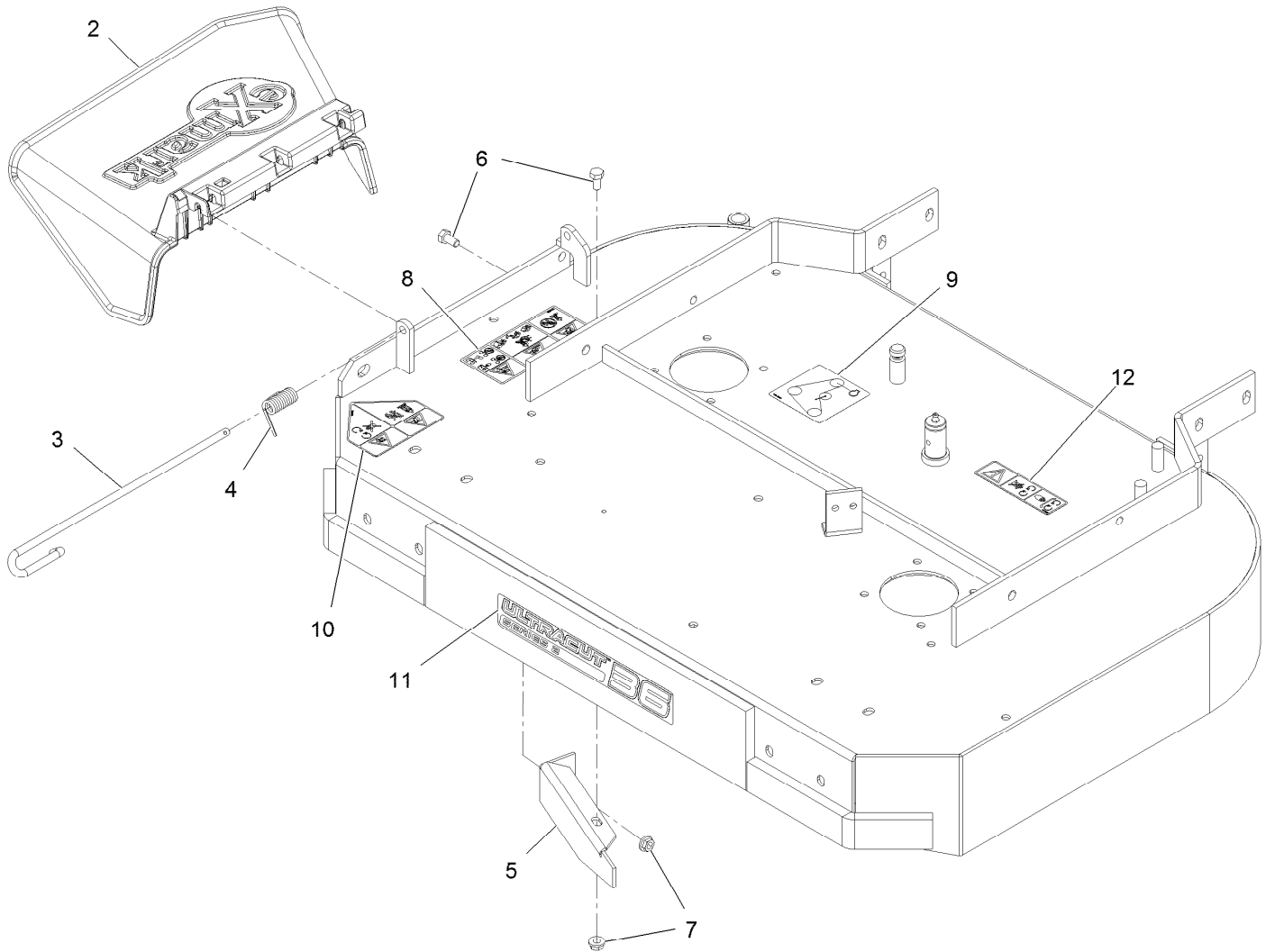
◆ Use Pro-Lock, Nut Type (P/N 1-840022, .5ml tube) on threads.

□ Requires installation of mulch kit for proper mulching. See your Exmark dealer for details.

○ Apply Mobil HTS grease (P/N 103-5217 1.5 oz packet) (or a food-grade anti-seize). See operator s manual for locations.

■ Optional Equipment

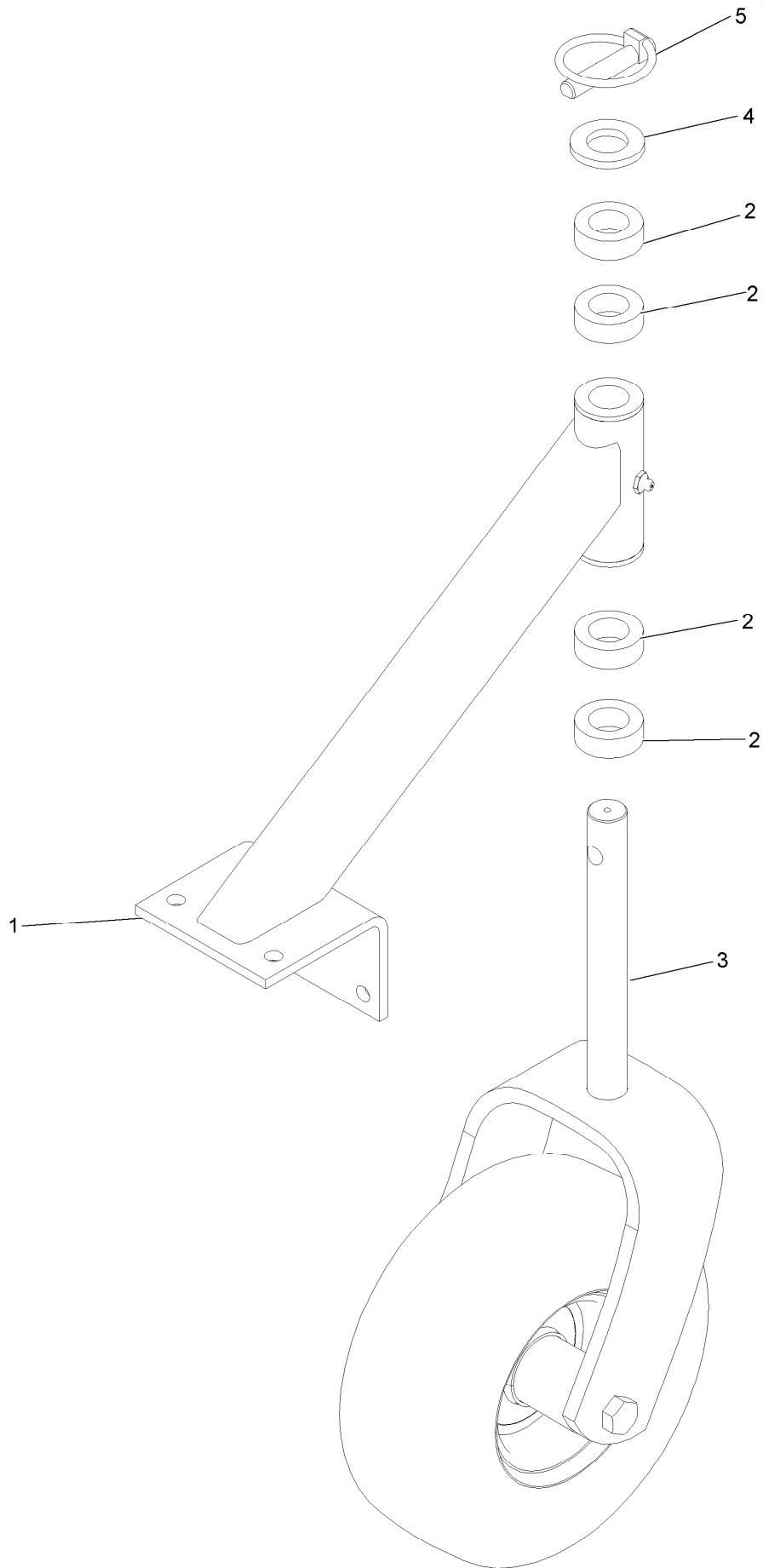
Deck W/Decals Assembly



Deck W/Decals Assembly (continued)

<i>Ref.</i>	<i>Part Number</i>	<i>Qty.</i>	<i>Description</i>	<i>Ref.</i>	<i>Part Number</i>	<i>Qty.</i>	<i>Description</i>
2	109-5151	1	Deflector-Discharge	8	135-5210	1	Decal-Warning Thrown Obj
3	109-8854	1	Pin-Chute	9	116-7877	1	Decal-Belt Routing 32-36
4	116-0962	1	Spring, Torsion	10	112-8760	1	Decal-Danger
5	116-1730-01	1	Baffle-Dogleg	11	126-6742	1	Decal-Ultracut 36 Series 2
6	322-2	2	Screw-HH 5/16-18 X 5/8	12	112-9028	1	Decal-Cover, Missing
7	32128-20	2	Nut-Whizlock 5/16-18				

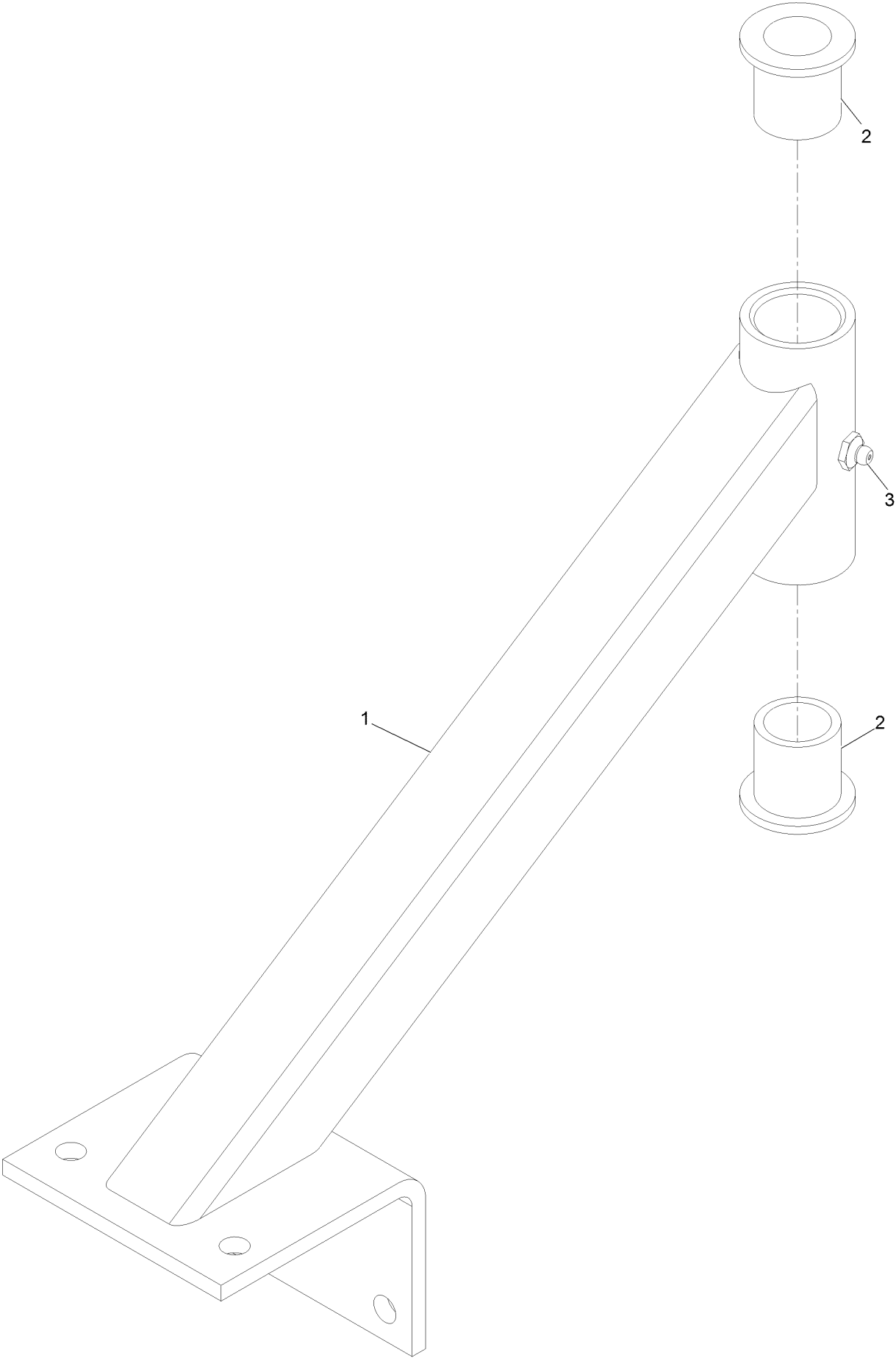
Caster Mount W/Weight Assembly No. 116-8245



Caster Mount W/Weight Assembly No. 116-8245 (continued)

<i>Ref.</i>	<i>Part Number</i>	<i>Qty.</i>	<i>Description</i>	<i>Ref.</i>	<i>Part Number</i>	<i>Qty.</i>	<i>Description</i>
1	103-2296	1	Caster Whl Support W/Bearings, Weighted	3	103-1236	1	Caster Wheel Assembly
2	1-303314	4	Spacer-Caster	4	1-513338	1	Washer
				5	1-809020	1	Pin

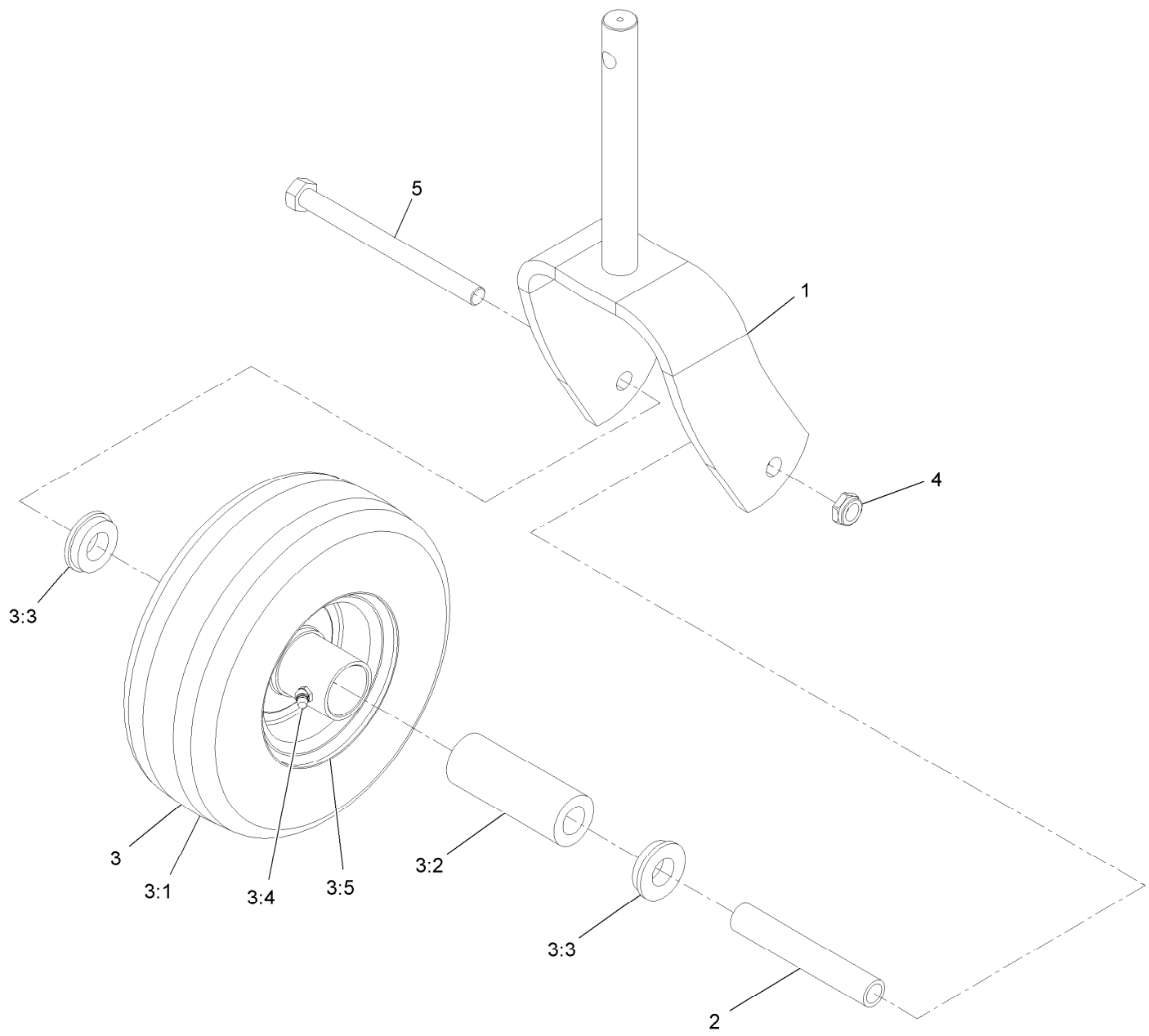
Caster Wheel Support W/Bearings 103-2296



Caster Wheel Support W/Bearings 103-2296 (continued)

<i>Ref.</i>	<i>Part Number</i>	<i>Qty.</i>	<i>Description</i>
1	103-2297-01	1	Caster Whl Support Wldmnt, Weighted
2	1-303514	2	Bearing-Flanged
3	302-52	1	Fitting-Grease

Caster Wheel Assembly No. 103-1236



Caster Wheel Assembly No. 103-1236 (continued)

<i>Ref.</i>	<i>Part Number</i>	<i>Qty.</i>	<i>Description</i>	<i>Ref.</i>	<i>Part Number</i>	<i>Qty.</i>	<i>Description</i>
1	116-7942-01	1	Fork-Caster	3:3	1-513810	2	Bushing
2	1-513547	1	Spacer	3:4	302-61	1	Fitting-Grease
3	110-5023	1	Wheel And Tire ASM	3:5		1	Wheel ●
3:1		1	Tire ●	4	3296-45	1	Nut-Hex
3:2	1-513809	1	Bearing	5	325-20	1	Screw-HH

● Not serviced separately

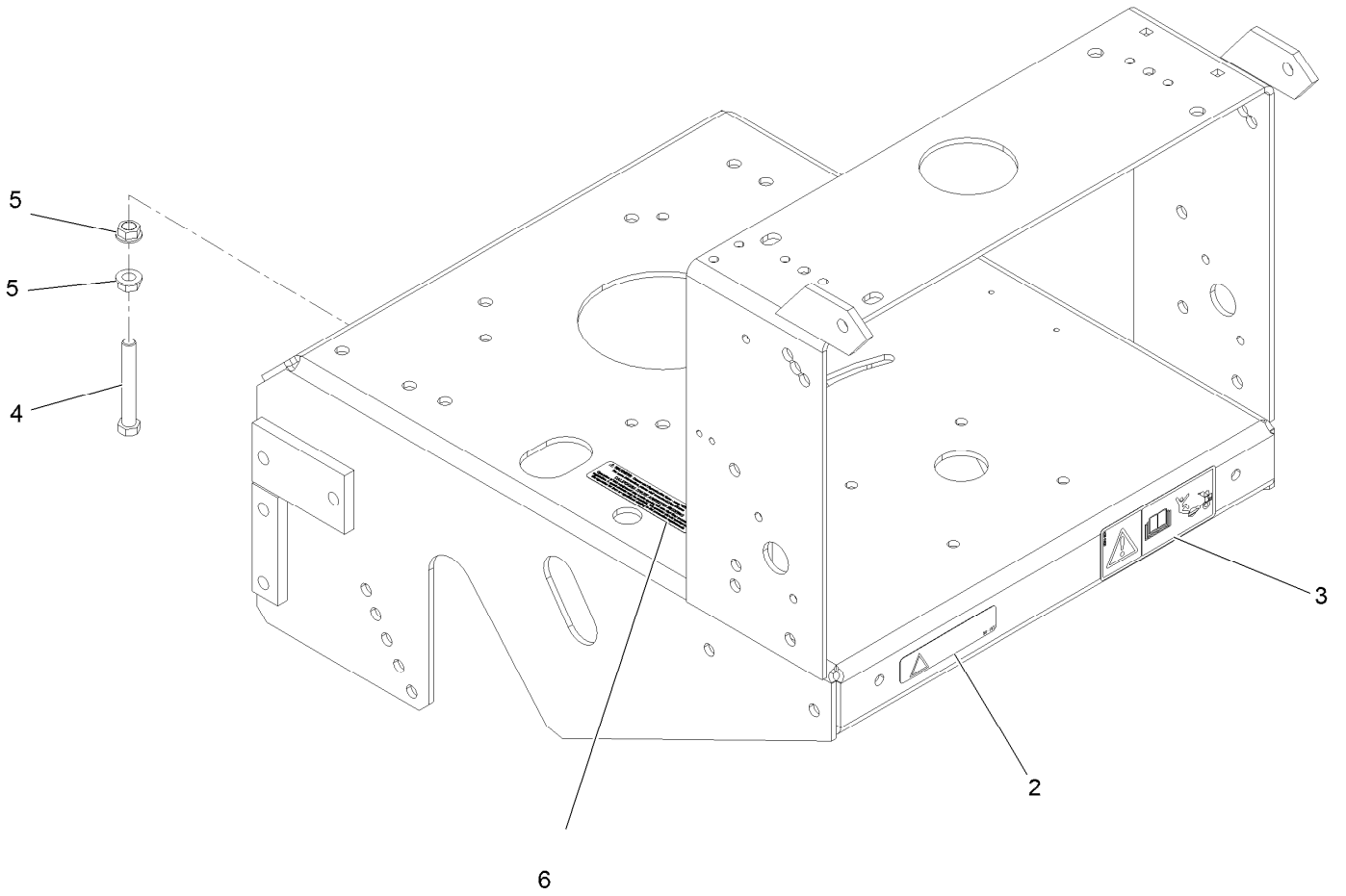
Engine Deck W/Transmission (continued)

<i>Ref.</i>	<i>Part Number</i>	<i>Qty.</i>	<i>Description</i>	<i>Ref.</i>	<i>Part Number</i>	<i>Qty.</i>	<i>Description</i>
1	116-6131	1	ASM, Metro Engine Deck W/Decals	22	323-39	4	Screw-HH
2	103-1611-03	2	Arm-Brake	23	1-523157	6	Washer-Spacer ●
2:1		1	Wld,Brake Arm ■	23	1-543436	8	Washer-Spacer ●
2:1:1	1-324154	1	Bushing-Zerk	24	98-5975	4	Washer-Belleville
3	1-322117-03	1	Axle	25	1-323307	2	Pin-Clevis
4	2412-104	2	Clamp-R	26	103-1618	2	Swivel, Short
5	32151-47	4	Ring-Retaining	27	323-6	4	Screw-HH
6	1-323288	2	Belt, Wheel Drive	28	126-4482	2	Drive Wheel ASM
7	32128-20	4	Nut-HF	29	32120-47	2	Ring-Retaining, External
8	1-323262	2	Band-Brake	31	1-808519	2	Ring-Snap
9	110-5866	2	Swivel-Brake	33	98-3259	1	Shield-Trailing
10	1-323277	2	Idler-Wheel, Drive	34	322-3	2	Screw-HH
11	116-3515	2	Screw-HH, Special	35	116-7542-03	1	Arm-Idler, LH
12	99-8664	2	Screw-HH	35:1		1	Idler Arm LH Assy ■
13	3290-357	14	Nut-HHF, Whiz	35:1:4	302-19	1	Fitting-Grease
14	3296-39	4	Nut-Lock, NI	36	1-806003	2	Pin-Cotter
15	1-323287-01	2	Shield-Wheel, Drive	37	116-7543-03	1	Arm-Idler, RH
16	1-323283	4	Spacer-Shield	37:1		1	Idler Arm RH Assy ■
17	1-603402	2	Spring-Extension	37:1:4	302-19	1	Fitting-Grease
19	103-1619	1	Linkage,LH Brake	38	1-412358	2	Scraper
20	103-1620	1	Linkage,RH Brake	39	3296-29	4	Nut-Lock, NI
21	1-513959	2	Wingnut-Nylock	40	1-803051	2	Ring-Retain

● QTY As Required

■ Not serviced separately

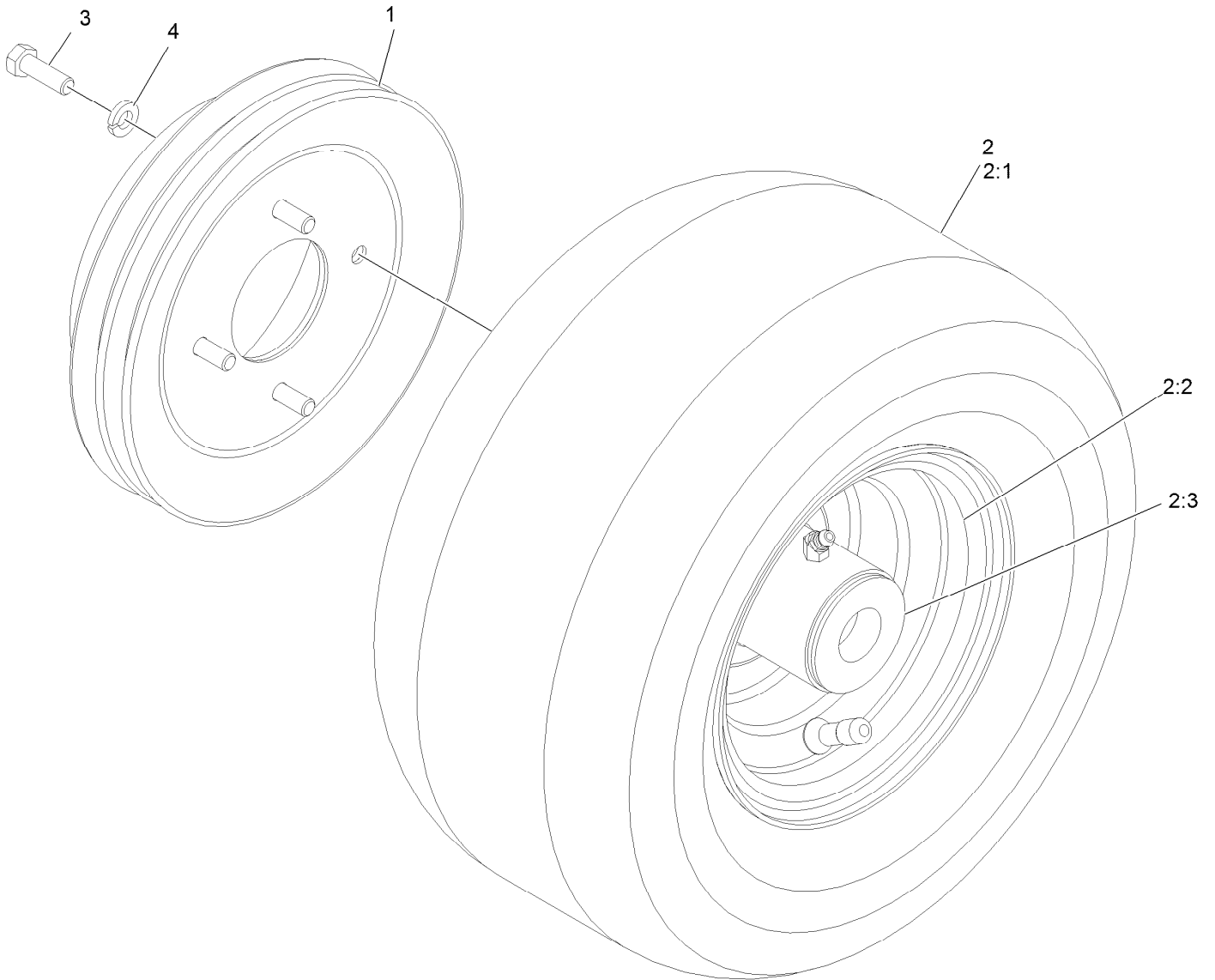
Engine Deck W/Decals Assembly



Engine Deck W/Decals Assembly (continued)

<i>Ref.</i>	<i>Part Number</i>	<i>Qty.</i>	<i>Description</i>	<i>Ref.</i>	<i>Part Number</i>	<i>Qty.</i>	<i>Description</i>
2	98-1977	1	Decal-Warning	5	3290-357	2	Nut-Whizlock 3/8-16
3	126-1400	1	Decal-Warning, Sulky	6	133-8062	1	Decal-Arrestor, Spark
4	323-13	1	Screw-HH 3/8-16 X 2 3/4				

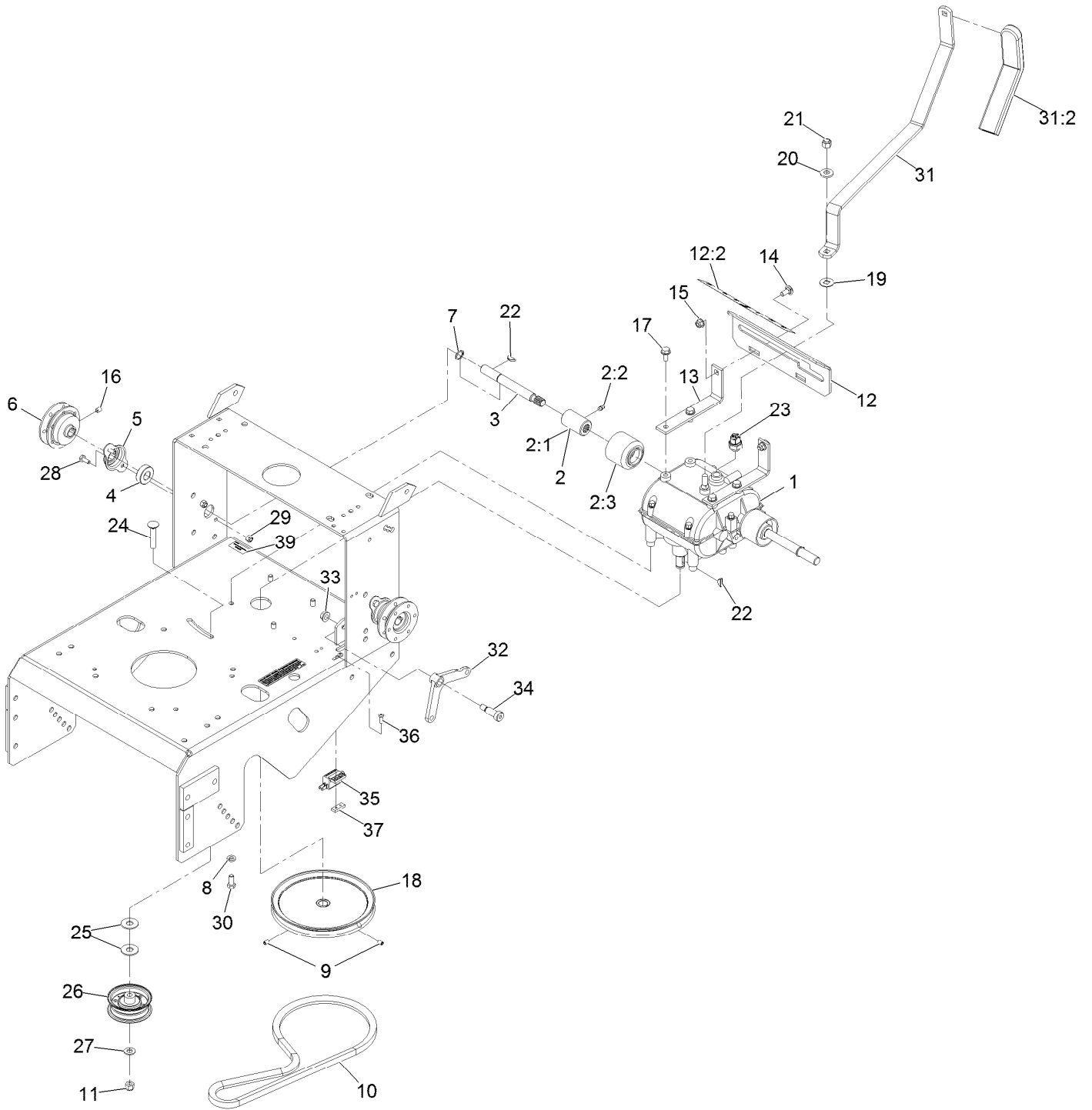
Wheel and Tire Assembly



Wheel and Tire Assembly (continued)

<i>Ref.</i>	<i>Part Number</i>	<i>Qty.</i>	<i>Description</i>	<i>Ref.</i>	<i>Part Number</i>	<i>Qty.</i>	<i>Description</i>
1	109-4359	1	Drum And Sheave ASM	2:3	1-323329	2	Bearing-Flanged
2	130-8364	1	Wheel And Tire ASM	3	322-5	4	Screw-HH 5/16-18 X 1
2:1	130-8367	1	Tire	4	1-805005	4	Washer-Lock 5/16 Heavy
2:2	1-323328	1	Wheel And Hub ASM				

Engine Deck W/Transmission (cont.)



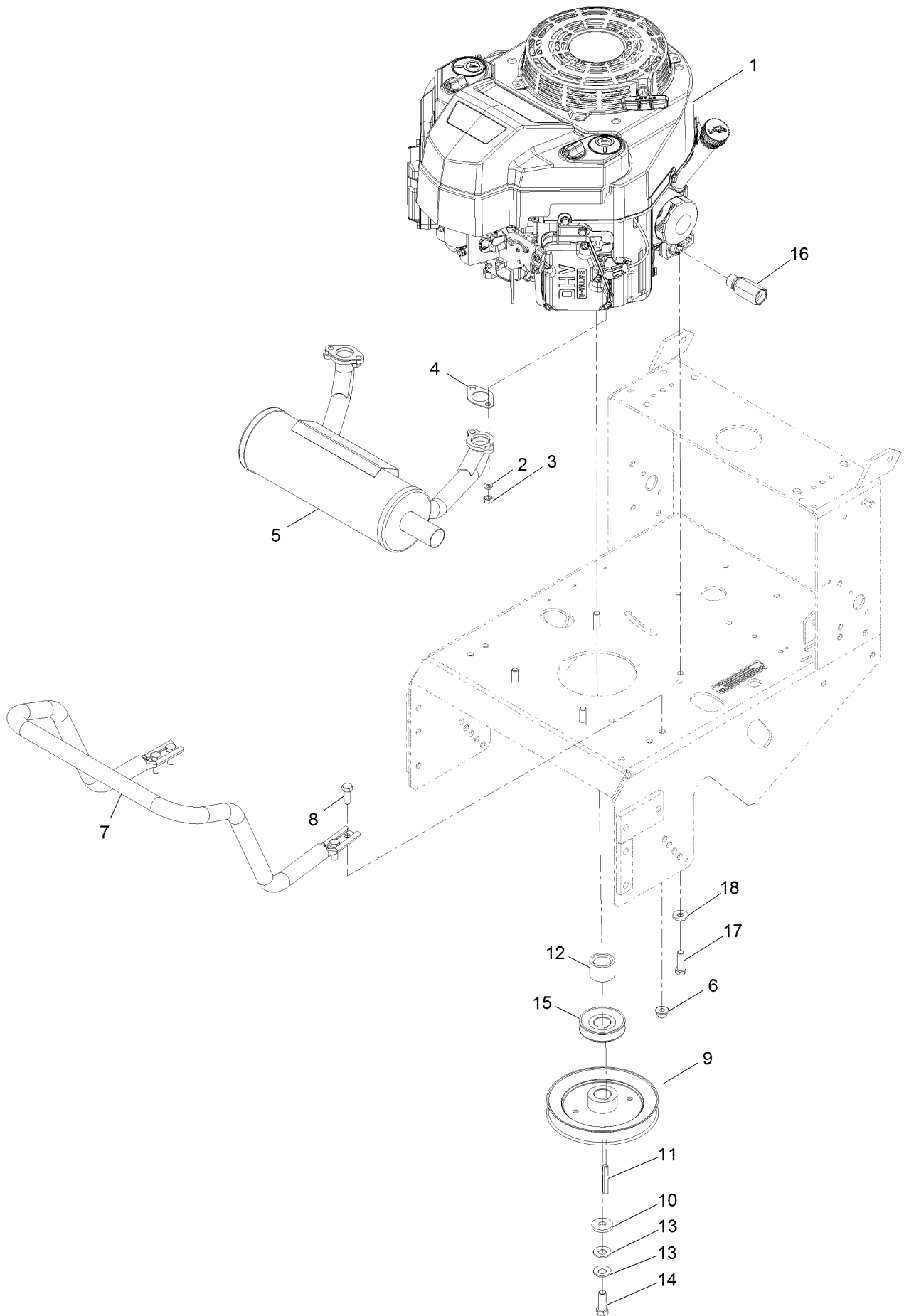
Engine Deck W/Transmission (cont.) (continued)

<i>Ref.</i>	<i>Part Number</i>	<i>Qty.</i>	<i>Description</i>	<i>Ref.</i>	<i>Part Number</i>	<i>Qty.</i>	<i>Description</i>
1	137-4105	1	Transmission-5 Speed	18	1-323278	1	Sheave-Transmission ●
2	1-324340	2	Coupling, W/Guard And Zerk	19	1-323379	1	Washer
2:1	1-323680	1	Coupler	20	98-5975	1	Washer-Spring Disc 3/8
2:2	302-19	1	Zerk-1/4-28 Str	21	3296-6	1	Nut-Nyloc 3/8-24
2:3	51-4220	1	Guard-Coupler	22	3257-5	3	Key-Woodruff #9 3/4 X 3/16
3	1-323502	2	Shaft-Transmission	23	1-303282	1	Switch-Start, Neutral
4	1-323252	2	Bearing-Shaft ●	24	3231-6	1	Bolt-Carriage 3/8-16 X 2
5	1-323254	2	Flange-Output	25	3256-5	2	Washer-7/16 Std
6	103-6511	2	Sheave-Transmission ●	26	130-8362	1	Pulley-Idler, Flat
7	32151-62	2	Ring-Retaining	27	3256-24	1	Washer-3/8 SAE
8	1-805005	4	Washer-Lock 5/16 Heavy	28	321-3	4	Screw-HH 1/4-20 X 5/8
9	3245-41	2	Setscrew-1/4-20 X 3/8 ■	29	3296-42	4	Nut-Nyloc 1/4-20
10	1-323280	1	Belt, Transmission Drive	30	322-3	4	Screw-HH 5/16-18 X 3/4
11	3296-39	1	Nut-Nyloc 3/8-16	31	103-1606	1	Lever, Shift W/Grip
12	103-3498	1	Asm, Shifter Plate W/ Decals	31:2	103-1733	1	Grip Foam
12:2	98-3264	1	Decal-Speed, Ground	32	1-303186	1	Bellcrank
13	1-323389-03	2	Bracket-Plate, Shift	33	3290-357	1	Nut-Whizlock 3/8-16
14	3230-1	2	Bolt-Carriage 5/16-18 X 3/4	34	1-603403	1	Bolt-Shoulder
15	104-8300	2	Nut-Nyloc 5/16-18 Flg	35	1-513051	1	Switch-N.O.
16	3246-18	2	Setscrew-5/16-18 X 3/8 ■	36	3290-500	2	Screw-PPH #10-24 X 5/8
17	32144-11	4	Screw-HWH 5/16-18 X 3/4 Tf	37	1-633181	1	Plate-Tapped
				39	126-4345	1	Decal-Patent

● Apply anti-seize compound in bore.

■ Use Pro-Lock, Nut Type (P/N 1-840022, .5ml tube) on threads.

Engine Assembly



Engine Assembly (continued)

<i>Ref.</i>	<i>Part Number</i>	<i>Qty.</i>	<i>Description</i>	<i>Ref.</i>	<i>Part Number</i>	<i>Qty.</i>	<i>Description</i>
1		1	Engine-Kawasaki ●▲	10	1-373034	1	Washer
2	114-3550	4	Washer-Spring Lock M8	11	103-4177	1	Key
3	114-3549	4	Nut-M8	12	1-633453	1	Spacer-Clutch
4	1-653313	2	Gasket-Exhaust	13	1-603610	2	Washer-Spring Disc 7/16
5	116-3734	1	Muffler-Horizontal, Offset	14	116-3702	1	Screw-HH ◆
6	104-8301	4	Nut-Nyloc 3/8-16 Flg	15	103-1666	1	Sheave-Transmission ■
7	135-4729-03	1	Tube-Guard Muffler	16	103-2587	1	Adapter
8	323-6	4	Screw-HH 3/8-16 X 1	17	323-7	4	Screw-HH 3/8-16 X 1 1/4
9	103-1668	1	Sheave ■	18	98-5975	4	Washer-Spring Disc 3/8

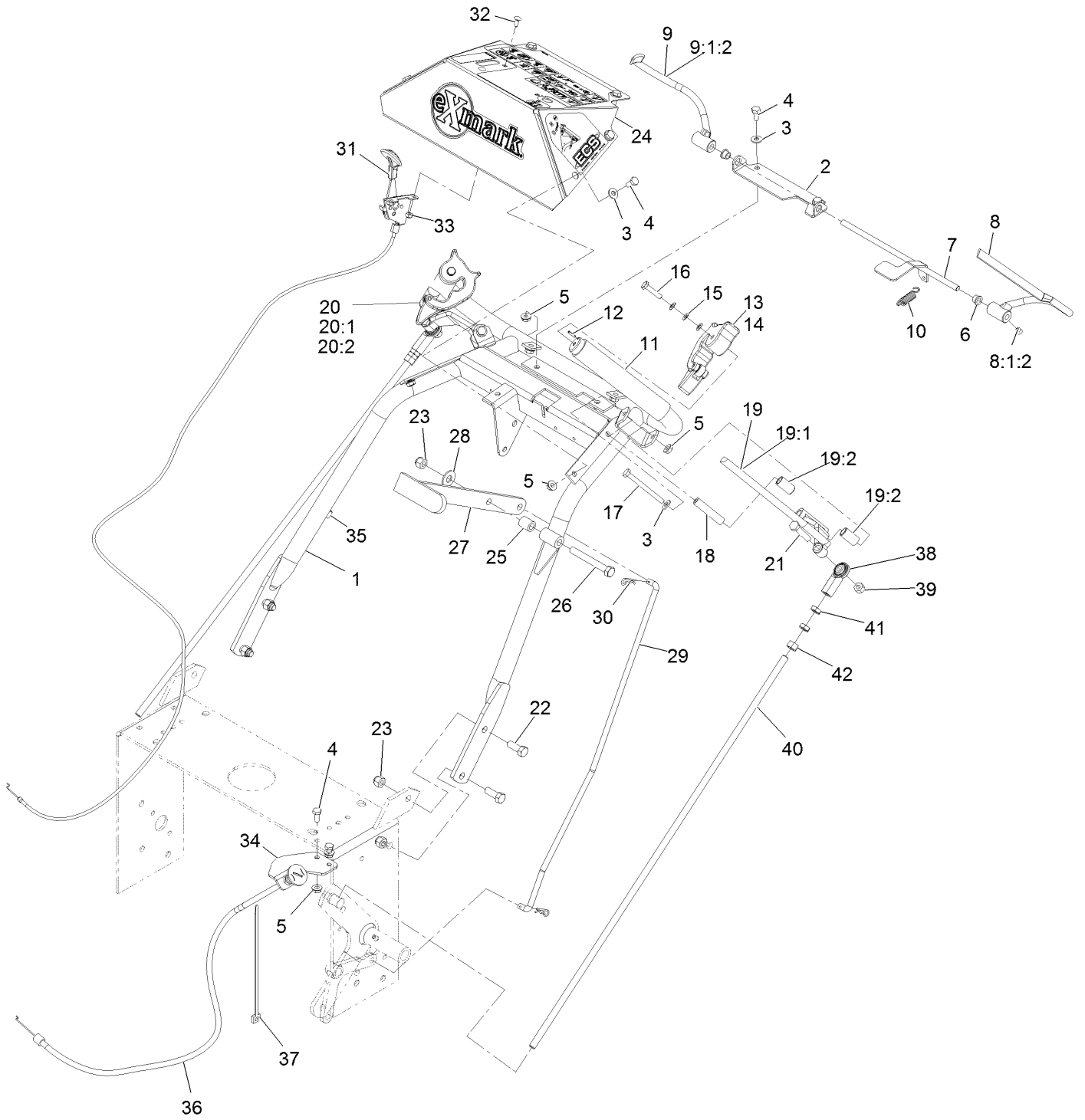
● Not serviced separately

▲ Obtain parts from www.kawpowerepc.com

◆ Use Pro-Lock, Nut Type (P/N 1-840022, .5ml tube) on threads.

■ Apply anti-seize compound in bore.

ECS Upper Handle and Controls



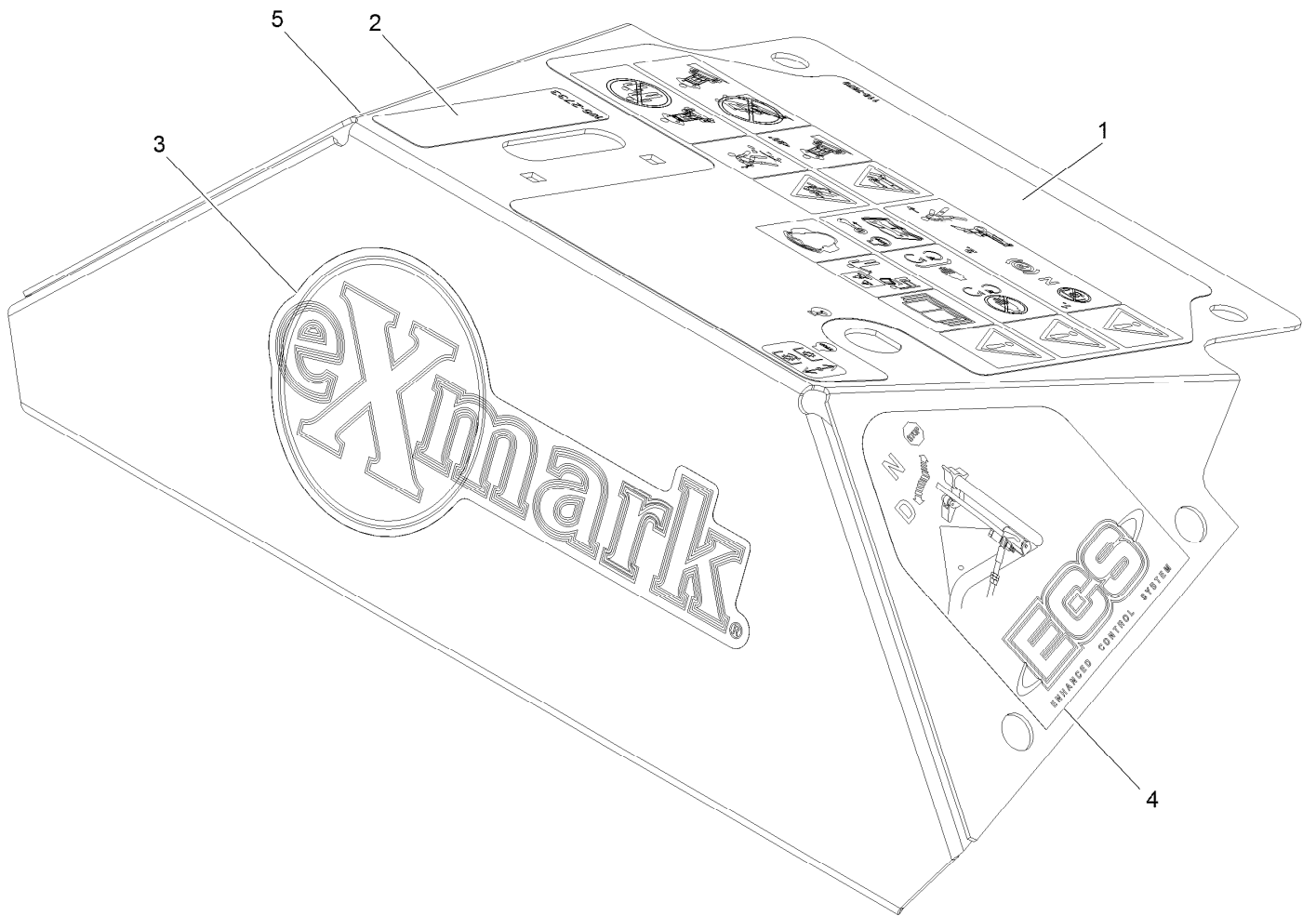
ECS Upper Handle and Controls (continued)

<i>Ref.</i>	<i>Part Number</i>	<i>Qty.</i>	<i>Description</i>	<i>Ref.</i>	<i>Part Number</i>	<i>Qty.</i>	<i>Description</i>
1	103-0770-03	1	Handle Weldment	20:2	126-9366	2	Bushing, Sleeve
2	103-0489-03	1	Bracket, Opc Axle	21	322-9	2	Screw-HH 5/16-18 X 1 3/4
3	3256-22	10	Washer-1/4 SAE	22	323-6	4	Screw-HH 3/8-16 X 1
4	321-3	10	Screw-HH 1/4-20 X 5/8	23	3296-39	5	Nut-Nyloc 3/8-16
5	32128-33	12	Nut-Whizlock 1/4-20	24	109-4934	1	Asm, Console (109-4649-03) W/Decals
6	1-303365	2	Bushing-Nylon	25	1-633080	1	Spacer
7	103-0769-03	1	Rod Weldment, OPC	26	323-14	1	Screw-HH 3/8-16 X 3
8	116-4079	1	Wld,LH OPC Lever ■	27	103-1629	1	Clutch Lever W/Grip
8:1:2	1-803322	1	Setscrew-5/16-24 X 5/16 ●	28	3256-4	1	Washer-3/8 Std
9	116-4080	1	Wld,RH OPC Lever ■	29	103-1627	1	Linkage, Upper
9:1:2	1-803322	1	Setscrew-5/16-24 X 5/16 ●	30	1-806003	2	Hairpin-Cotter
10	1-303363	1	Spring-Extension	31	116-2426	1	Control, Throttle
11	103-0815	2	Grip-Bar, Handle	31	116-2426RT02	1	Control, Throttle
12	126-2925	2	Pin-Spring	32	1-807513	2	Bolt-Carriage #10-24 X 1/2
13	103-1631	1	Latch, Thumb LH	33	3296-2	2	Nut-Nyloc #10-24
14	103-1630	1	Latch, Thumb RH	34	103-1797-01	1	Bracket-Cable, Choke
15	1-303435	6	Washer-Spring Disc 1/4	35	1-303088	1	Clip-Cable
16	103-0235	2	Screw-HH 1/4-20 X 1 1/8 W/Nylon	36	103-1796	1	Cable-Choke
17	321-14	2	Screw-HH 1/4-20 X 2 3/4	36	103-1796RT01	1	Cable-Choke
18	103-0027	2	Bushing-Lever, Drive	37	1-303335	1	Tie-Cable 7 15/16 (Large)
19	103-2514	1	Asm, Drive Lever LH	38	103-2463	2	Balljoint
19:1	116-4081	1	Wld,LH Drive Lever	39	3296-29	2	Nut-Nyloc 5/16-18
19:2	126-9366	2	Bushing, Sleeve	40	103-1604	2	Linkage, Wheel Drive
20	103-2513	1	Asm, Drive Lever RH	41	3220-3	4	Nut-Jam 3/8-24
20:1	116-4082	1	Wld,RH Drive Lever	42	3219-3	2	Nut-Hex 3/8-24

● Use Pro-Lock, Nut Type (P/N 1-840022, .5ml tube) on threads.

■ Use Pro-Lock retaining type, Part no. 1-840023 (.5cc tube) on inside of bore of OPC hub.

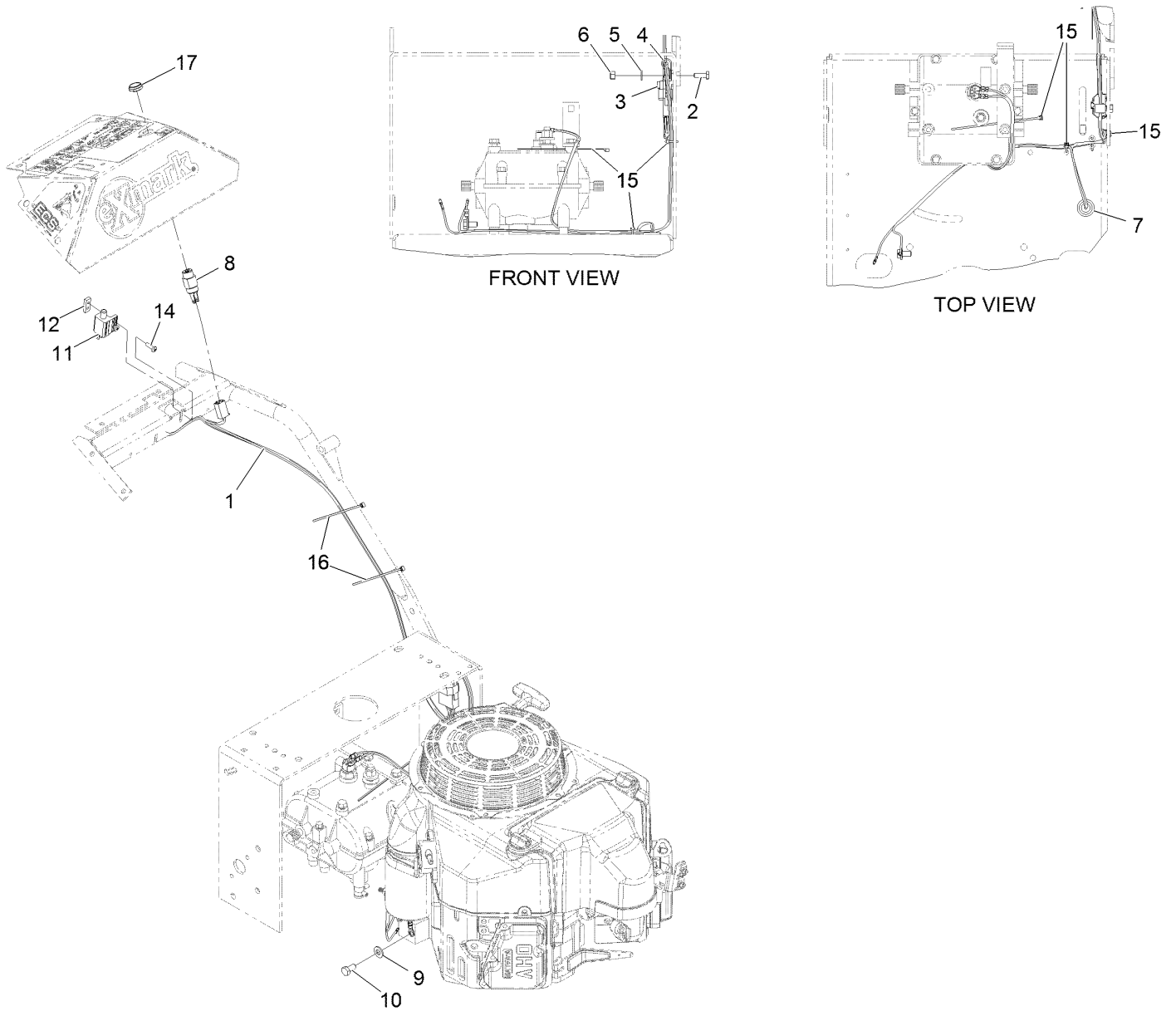
Console W/Decals Assembly



Console W/Decals Assembly (continued)

<i>Ref.</i>	<i>Part Number</i>	<i>Qty.</i>	<i>Description</i>	<i>Ref.</i>	<i>Part Number</i>	<i>Qty.</i>	<i>Description</i>
1	135-2864	1	Decal-Console	4	103-2244	1	Decal, LH Ecs Instruction
2	106-2733	1	Decal-Throttle	5	103-2245	1	Decal, RH Ecs Instruction
3	126-6877	1	Decal, Exmark Logo				

Electrical Assembly



Electrical Assembly (continued)

<i>Ref.</i>	<i>Part Number</i>	<i>Qty.</i>	<i>Description</i>	<i>Ref.</i>	<i>Part Number</i>	<i>Qty.</i>	<i>Description</i>
1	116-2661	1	Harness-Wire ●	9	33094-00	1	Washer
2	321-4	1	Screw-HH 1/4-20 X 3/4	10	33114-016	1	Screw-HH M8-1.25 X 16Mm
3	1-323430	1	Module-Interlock	11	1-513051	1	Switch-N.O.
4	1-513762	1	Clip-Loom 1/2	12	1-633181	1	Plate-Tapped
5	3256-22	1	Washer-1/4 SAE	14	3290-500	2	Screw-PPH #10-24 X 5/8
6	3296-42	1	Nut-Nyloc 1/4-20	15	1-303287	3	Tie-Cable 5 1/2 (Small)
7	1-543296	1	Grommet	16	1-303287	2	Tie-Cable 5 1/2 (Small)
8	1-403121	1	Switch & Key (Includes Nut & Washer)	17	103-0498	1	Nut-Ignition

● Use dielectric grease on all unsealed connectors and terminals only. Do not apply in sealed connectors.

Fuel Tank Assembly (continued)

<i>Ref.</i>	<i>Part Number</i>	<i>Qty.</i>	<i>Description</i>	<i>Ref.</i>	<i>Part Number</i>	<i>Qty.</i>	<i>Description</i>
1	135-2855	1	ASM, Fuel Tank 5 Gal	14	1-303335	4	Tie-Cable 7 15/16 (Large)
1:2	137-4119	1	Cap-Fuel, Ratcheting	15	114-0286	1	Hose-Vent
1:3	114-0284	1	Grommet	16	117-1221	1	Canister-Carbon, 800Cc
1:4	119-3547	1	Valve-Vent, Fuel	17	115-0962	1	Hose-Vent, Canister
1:5	46-6560	1	Bushing	18	116-2231	1	Hose-Vent, Formed
1:6	109-9364	1	Fitting-Fuel (W/Line And Screen)	19	114-0292	1	Bracket-Canister, Carbon
2	107-4543	2	Clamp	20	321-2	2	Screw-HH 1/4-20 X 1/2
3	3256-3	2	Washer-5/16 Std	21	115-4486-01	1	Bracket-Canister, Carbon
4	322-10	2	Screw-HH 5/16-18 X 2	22	104-7201	4	Nut-Nyloc 1/4-20 Flg
5	104-8300	2	Nut-Nyloc 5/16-18 Flg	23	3229-1	2	Bolt-Carriage 1/4-20 X 3/4
7	114-4428	1	Hose-Fuel	24	116-2232	1	Valve-Control, Vacuum
8	2412-98	4	Clamp-Hose	25	119-8502	1	Hose-Vent, Formed
9	1-603770	1	Valve-Fuel	26	119-8501	1	Hose-Vent, Formed
10	109-0293	1	Hose-Fuel Line 8 1/2"	28		1	Pn 41019-1055 Filter W/6In Fuel Line ●■▲

● Not illustrated
▲ Obtain parts from www.kawpowerepc.com

■ Not serviced separately

Notes:



MAXIMIZE THE PERFORMANCE OF YOUR EXMARK MACHINE.



EXMARK® PREMIUM ENGINE OIL

Exmark now offers a family of engine oil viscosities to perform well in any environment. Each viscosity has the same synthetic formulation to give you what you need in punishing conditions. We designed each grade to the highest quality, making it ideal even for diesel applications. Coupled with Exmark Premium Fuel Treatment, we have the performance products to make your machine hum.

EXMARK PREMIUM ENGINE OIL SAE 30/10W-30

- Meets zero shear requirements of a straight grade SAE 30 as well as the cold temp properties of a 10W-30.
- Most versatile oil in the industry.
- Superior corrosion protection over conventional oil - even in corrosive, humid environments.

EXMARK PREMIUM ENGINE OIL SAE 20W-50

- Perfect for your big block engine, or any application in severe service.
- Same full synthetic formulation as all other Exmark Premium viscosities.
- Also effective for use in severe service small block engines.

EXMARK PREMIUM ENGINE OIL SAE 10W-50

- Full synthetic formulation gives you peak performance. Don't settle for less.
- Wide span multi-grade combines easy starting in cold weather with maximum protection in high temperature operation.
- Reduce friction & wear over standard mineral formulations.

EXMARK PREMIUM ENGINE OIL SAE 0W-40

- The perfect choice for when the weather turns cold or unpredictable, and your Exmark UTV has to perform.
- Commercial quality for severe service.
- Advanced additive package helps prevent corrosion from long-term storage.

EXMARK PREMIUM ENGINE OIL UTV FORMULATION

- 4-cycle high-temp formulation.
- Heavier viscosity, full synthetic, perfect for your UTV.

EXMARK PREMIUM UTV EXTREME CONDITIONS GEAR OIL

- SAE 80W-90, designed to keep your UTV performing at its peak.
- Shear stable, hypoid gear lube.
- Includes a premium additive system to combat wear, oxidation, rust & corrosion.

Available from your local Exmark dealer. Find your closest dealer at exmark.com

EXMARK ACCESSORIES AND OPTIONS*

MID-MOUNT RIDING ACCESSORIES AND OPTIONS

CUSTOM RIDE SEAT SUSPENSION SYSTEM	OPERATOR CONTROLLED DISCHARGE
FULL SUSPENSION SEAT	SUN SHADE
DECK LIFT ASSIST KIT	TRASH CONTAINER
HITCH KIT	TURF STRIPER
LIGHT KIT	ULTRA VAC COLLECTION SYSTEM
12V POWER PORT	ULTRA VAC QUICK DISPOSAL SYSTEM
MICRO-MULCH SYSTEM	

OUT-FRONT RIDING ACCESSORIES AND OPTIONS

CUSTOM RIDE SEAT SUSPENSION SYSTEM	SNOW BLADE
DUAL-TAIL WHEEL	SNOWBLOWER
FLOOR PAN EXTENDER	SUN SHADE
HITCH KIT	TRASH CONTAINER
LIGHT KIT	ULTRA VAC COLLECTION SYSTEM
MICRO-MULCH SYSTEM	ULTRA VAC QUICK DISPOSAL SYSTEM
ROLL OVER PROTECTION SYSTEM (ROPS)	WEATHER CAB

WALK-BEHIND ACCESSORIES AND OPTIONS

GRASS CATCHER	TURF STRIPER
MICRO-MULCH SYSTEM	STANDON

*Some accessories and options not available for some models.

Place Model No. and Serial No.
Label Here (Included in the Literature
Pack) or Fill in Below

Model No. _____

Serial No. _____

Date Purchased _____

Engine Model No. and Spec. No. _____

Engine Serial No. (E/No) _____

© 2018 Exmark Mfg. Co., Inc.
2101 Ashland Ave
Beatrice, NE 68310
All Rights Reserved

Part No. 4503-948 Rev. A
(402) 223-6375
Fax (402) 223-5489
Printed in the USA.

