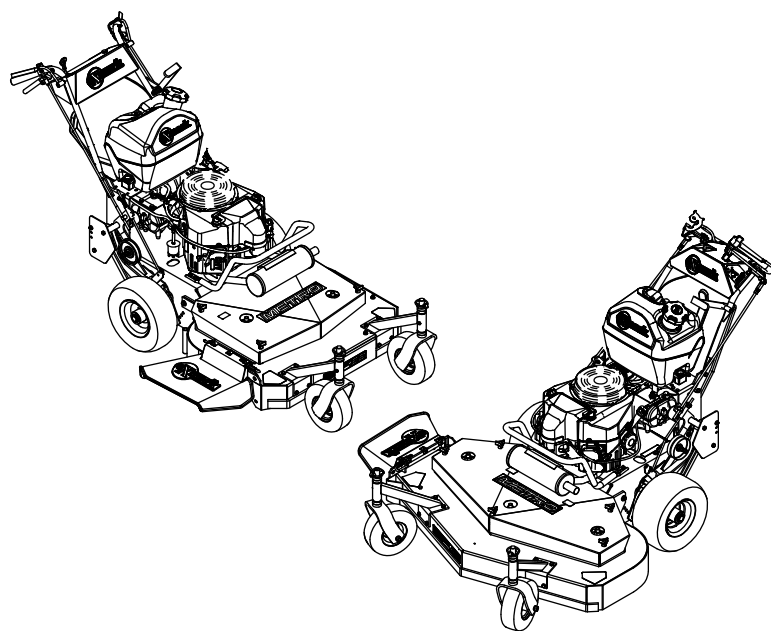




METRO®

Model No. MGS481GKA322P0—Serial No. 404314159 and Up

Picture below may not reflect actual product.



Parts Manual

Part No. 4503-947 Rev. A

Ordering Replacement Parts

To order replacement parts, please supply the part number, the quantity, and the description of each part desired.

Understanding Reference Numbers

Each identified part in an illustration has a reference number. The reference number for a part also appears in the parts list, along with other information about the part.

This catalog uses two special reference number formats, one to indicate parts in a service assembly and another to indicate the quantity of a given part in an illustration.

Service Assembly Reference Numbers

Parts in service assemblies have reference numbers in the form a:b. The a represents the reference number of the entire service assembly and the b represents a sequential number unique to each part within the service assembly.

For example, a wheel assembly might be identified by reference number 6, the tire by 6:1, the valve by 6:2, and the wheel by 6:3. When you order the assembly identified by reference number 6, you receive all parts identified by reference numbers 6:1, 6:2, and 6:3. However, you may also order any part individually. Reference numbers of this type appear in illustration and in parts lists.

Reference Numbers Indicating Quantity

In an illustration, if a reference number indicates more than one part, the reference number has the form nX y. The n represents the quantity of the part, the X is the multiplication symbol, and the y represents the reference number.

For example, in an illustration, the reference number 2X 37 means that two of the parts identified by reference number 37 are indicated.

Touch Up Paint

Exmark black touch up spray paint – gloss black.

Exmark red touch up paint (spray paint – P/N 1-850337 - .6 oz liquid bottle – P/N 103-9140).

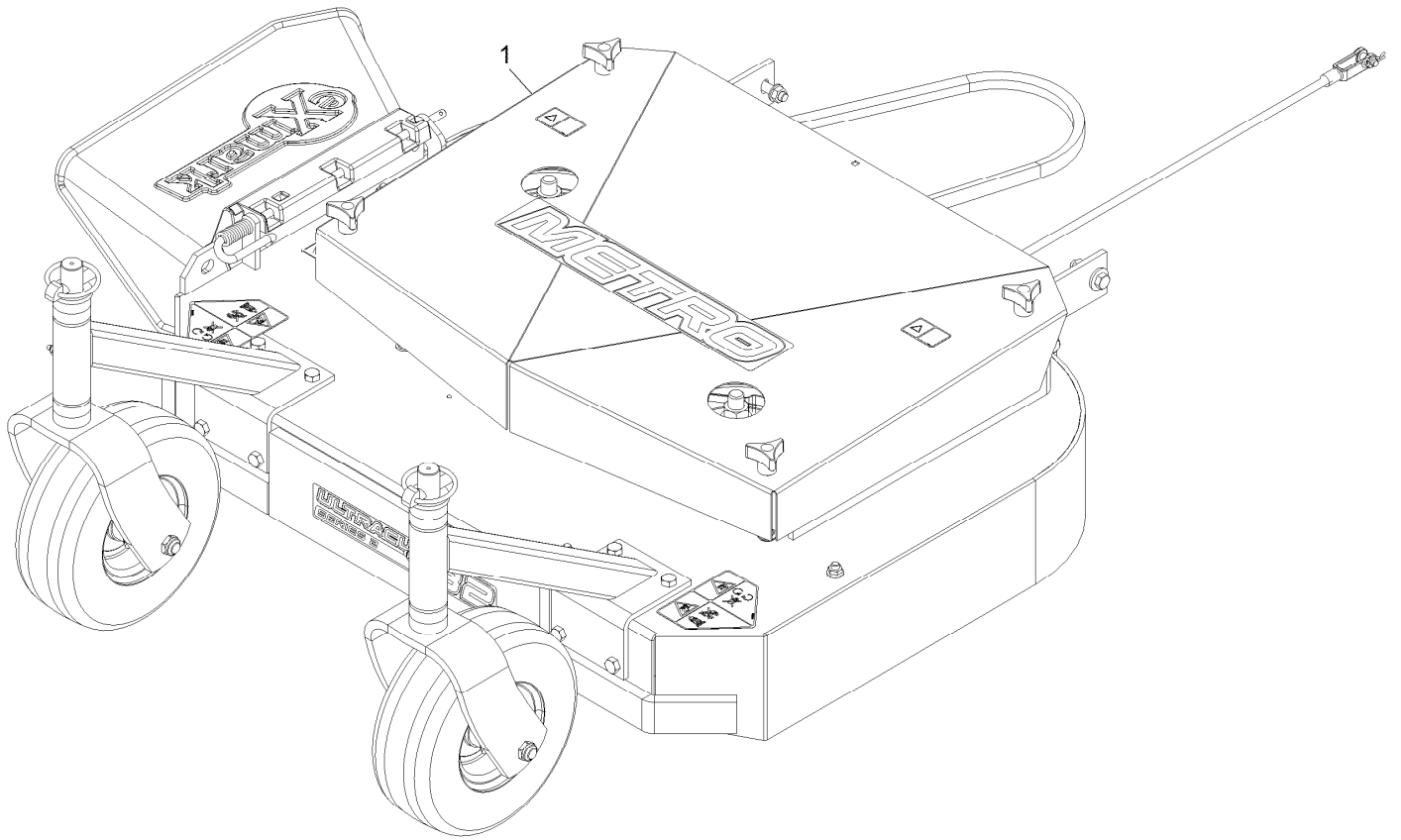


If your Exmark dealer does not have the Exmark part in stock, Exmark will get the parts to the dealer the next business day or the part will be FREE Guaranteed!! (Some restrictions apply. See your participating Exmark Dealer for details.)

Contents

Complete Deck Assembly.....	4
Deck Assembly.....	6
Deck W/Decals Assembly.....	8
Caster Mount Complete Assembly 103-1238.....	10
Caster Wheel Support W/Bearings 1-302203.....	12
Caster Wheel Assembly No. 103-1236.....	14
Engine Deck W/Transmission.....	16
Engine Deck W/Decals Assembly.....	18
Wheel and Tire Assembly No. 126-4481.....	20
Engine Deck W/Transmission (cont.).....	22
Engine Assembly.....	24
Pistol Grip Upper Handle and Controls.....	26
Electrical Assembly.....	28
Fuel Assembly.....	30

Complete Deck Assembly

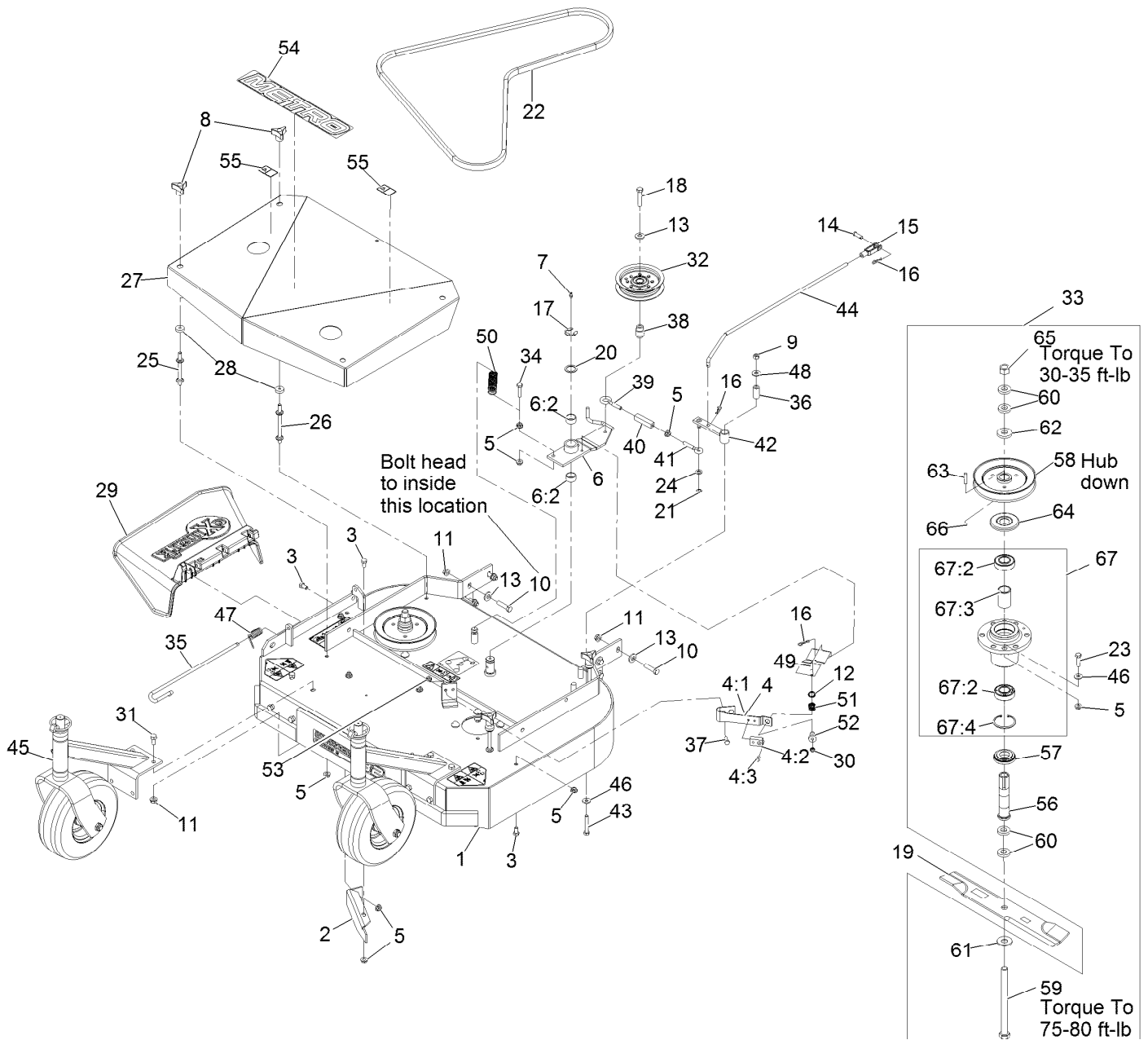


Complete Deck Assembly (continued)

<i>Ref.</i>	<i>Part Number</i>	<i>Qty.</i>	<i>Description</i>
1		1	Deck ASM-32 ●

● Not serviced separately

Deck Assembly



Deck Assembly (continued)

Ref.	Part Number	Qty.	Description	Ref.	Part Number	Qty.	Description
1	103-2313	1	Deck W/Decals And Dogleg	34	116-3515	1	Screw,HH Special 5/16-18 X 1.25
2	116-1730-01	1	Baffle-Dogleg	35	109-8854	1	Pin-Chute
3	322-2	7	Screw-HH 5/16-18 X 5/8	36	1-403179	1	Tube-Pivot
4	1-324372	1	Pad And Spring ASM	37	321-4	2	Screw-HH 1/4-20 X 3/4
4:1	1-323709	1	Pad-Brake ●	38	1-303434	1	Bushing-Engagement
4:2	1-323710	1	Spring ●	39	1-303348	1	Eyebolt-Thread, LH
4:3	103-0138	2	Rivet 3/16 X 1/2 ●	40	1-303236	1	Body-Turnbuckle
5	32128-20	22	Nut-Whizlock 5/16-18	41	1-303238	1	Eyebolt-Thread, RH
6	103-3600	1	Idler Arm ASM	42	1-322235	1	Arm-Assist, 32/36
6:2	1-323729	2	Sleeve-Bearing	43	322-10	1	Screw-HH 5/16-18 X 2
7	302-19	1	Zerk-1/4-28 Str	44	1-323303	1	Arm-Assist, Linkage
8	1-323385	4	Knob-3 Prong	45	103-1238	2	Caster/Mount, Complete
9	3296-29	1	Nut-Nyloc 5/16-18	46	1-303334	9	Washer-Spring Disc 5/16
10	323-8	8	Screw-HH 3/8-16 X 1 1/2	47	116-0962	1	Spring, Torsion
11	3290-357	8	Nut-Whizlock 3/8-16	48	3256-3	1	Washer-5/16 Std
12	1-323748	1	Ring-Push On	49	1-323718	1	Rod-Brake
13	98-5975	9	Washer-Spring Disc 3/8	50	1-323071	1	Spring-Extension
14	1-808280	1	Pin-Clevis 5/16 X 1 49/64	51	1-323747	1	Spring-Compression
15	1-303105	1	Yoke-Adjustable	52	1-323746	1	Spacer-Flanged
16	1-806003	3	Hairpin-Cotter	53	3296-42	2	Nut-Nyloc 1/4-20
17	32151-103	1	E-Ring	54	126-6890	1	Decal-Metro
18	702809	1	Screw-HH	55	106-5517	2	Decal-Warning
19	103-1577	2	Blade, 16.25 Solid ■	56	1-323529	2	Tube-Spindle, Short ○
19	103-6581	2	Blade, 16.25 Mulching □	57	103-2535	2	Spacer-Guard Bottom
19	103-6583	2	Blade, 16.25 Notched	58	1-403183	2	Sheave ○
19	103-6738	2	Blade,Low Lift 16.25 ■	59	1-800861	2	Screw-Cap, HH
19	116-5178	2	Blade-Extreme 2, 16.25"	60	1-323539	8	Spacer-Blade Drive
20	1-303352	1	Washer-Spindle	61	1-513208	2	Washer-Spring Disc 5/8
21	32120-35	1	E-Ring	62	1-323339	2	Washer
22	1-323734	1	Drive Belt, (To Blades)	63	1-807267	2	Key-Machine 1/4 X 3/16 X 1 1/4
23	322-6	8	Screw-HH 5/16-18 X 1 1/4	64	103-1330	2	Guard-Bearing Top ○
24	3256-23	1	Washer-5/16 SAE	65	3219-6	2	Nut-Hex 5/8-18
25	1-303537	2	Stud-Shield, Belt (Short)	66	3246-18	2	Setscrew-5/16-18 X 3/8 ◆
26	1-303536	2	Stud-Shield, Belt (Long)	67	103-8280	2	Asm, Cutter Housing W/Bearings ○
27	116-2705	1	ASM,Shield W/Decals 32 Metro	67		2	Cutter Housing ASM ▲
28	1-323417	4	Washer-Belt Shield	67:2	103-2477	2	Bearing-Jackshaft
29	109-5151	1	Deflector-Discharge	67:3	103-2534	1	Spacer-Bearing
30	3296-56	1	Nut-Nyloc 1/4-20 Thin	67:4	32120-8	1	Ring-Retaining
31	323-4	8	Screw-HH 3/8-16 X 3/4				
32	116-3626	1	Pulley-Idler				
33	103-8387	2	Asm, Cutter Housing Complete				

● Not illustrated

▲ Not serviced separately

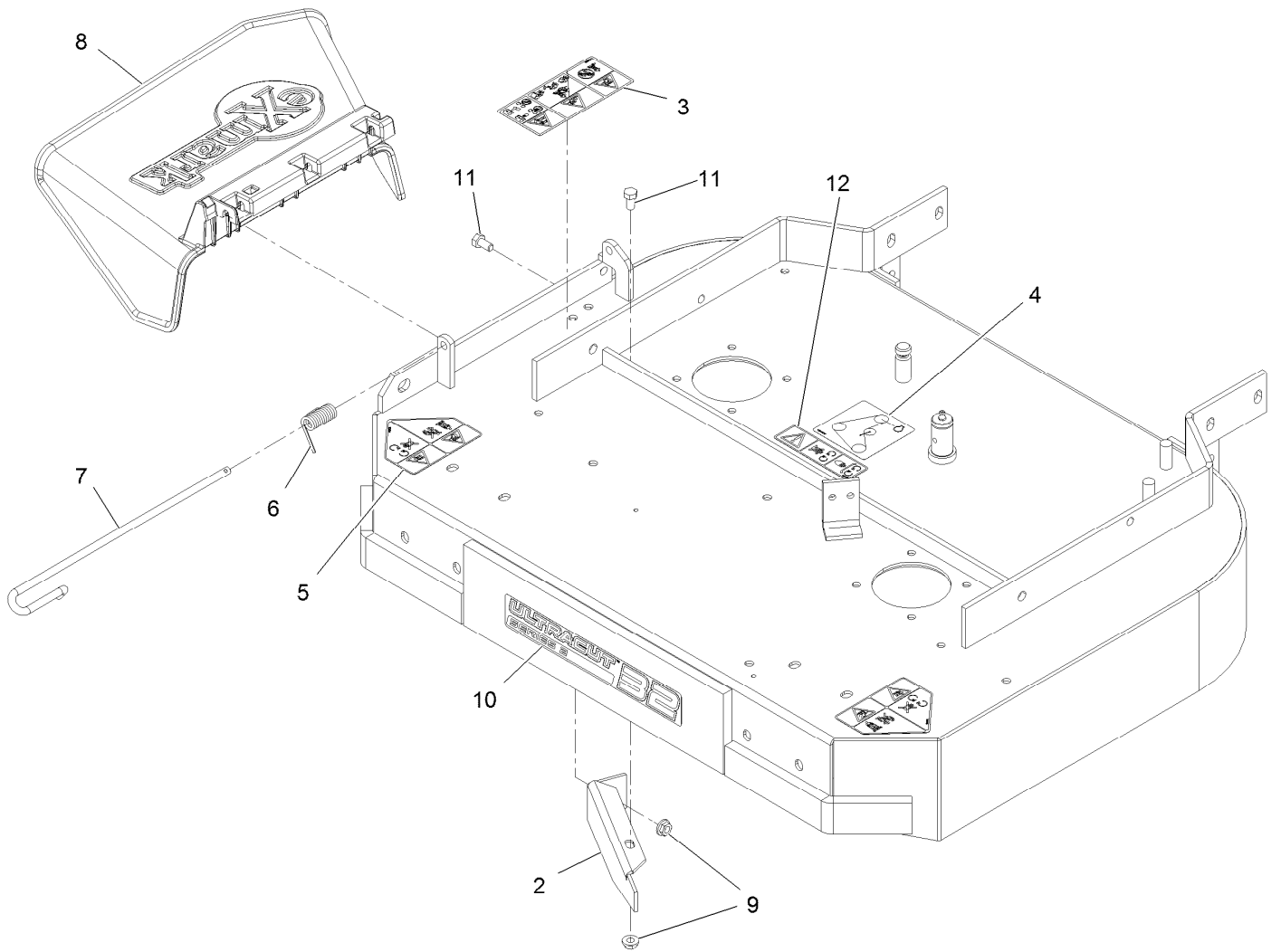
◆ Use Pro-Lock, Nut Type (P/N 1-840022, .5ml tube) on threads.

□ Requires installation of mulch kit for proper mulching. See your Exmark dealer for details.

○ Apply Mobil HTS grease (P/N 103-5217 1.5 oz packet) (or a food-grade anti-seize). See operator s manual for locations.

■ Optional Equipment

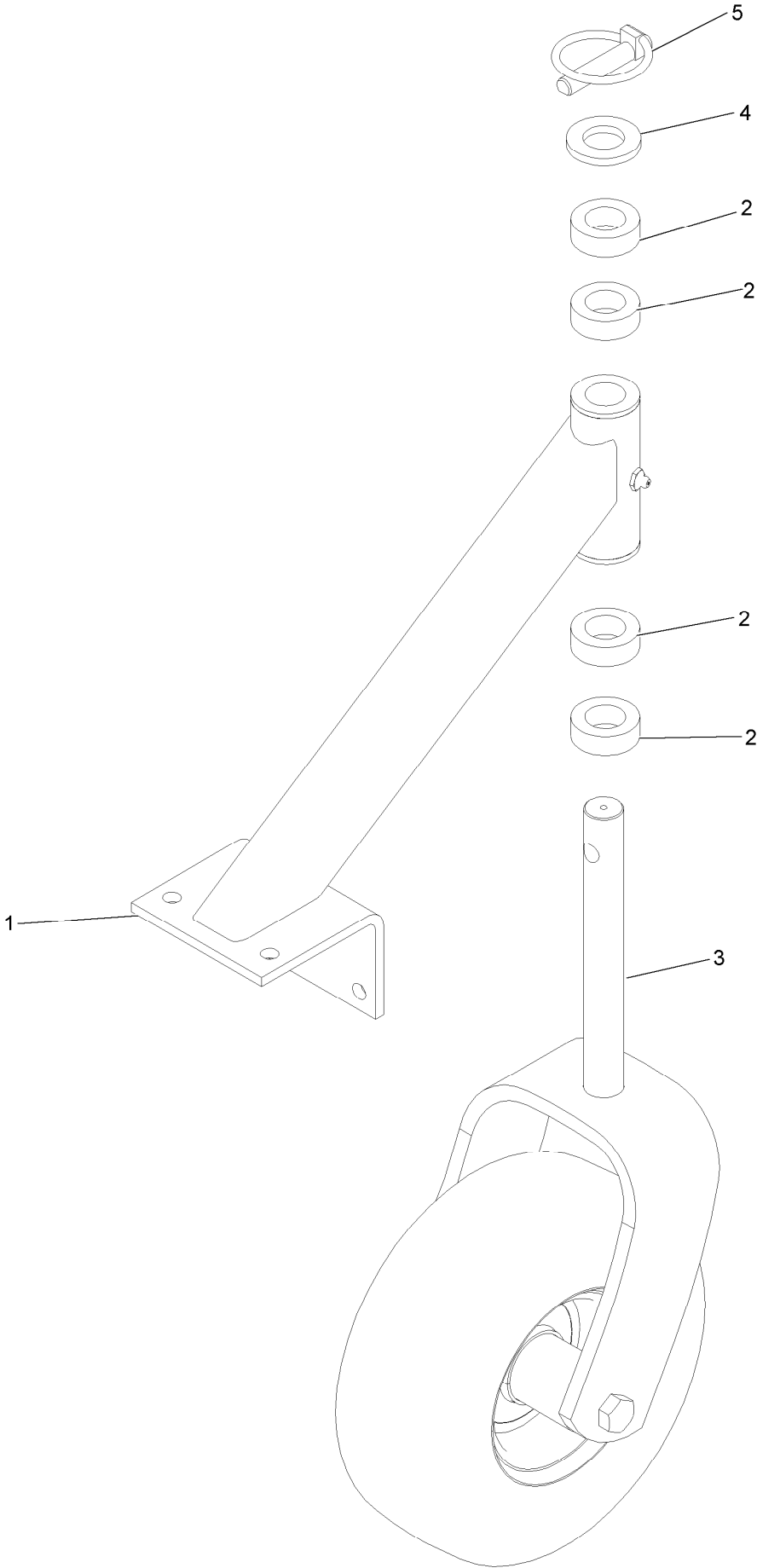
Deck W/Decals Assembly



Deck W/Decals Assembly (continued)

<i>Ref.</i>	<i>Part Number</i>	<i>Qty.</i>	<i>Description</i>	<i>Ref.</i>	<i>Part Number</i>	<i>Qty.</i>	<i>Description</i>
2	116-1730-01	1	Baffle-Dogleg	8	109-5151	1	Deflector-Discharge
3	135-5210	1	Decal-Warning Thrown Obj	9	32128-20	2	Nut-Whizlock 5/16-18
4	116-7877	1	Decal-Belt Routing 32-36	10	126-6741	1	Decal-Ultracut 32 Series 2
5	112-8760	2	Decal-Danger	11	322-2	2	Screw-HH 5/16-18 X 5/8
6	116-0962	1	Spring, Torsion	12	112-9028	1	Decal-Cover, Missing
7	109-8854	1	Pin-Chute				

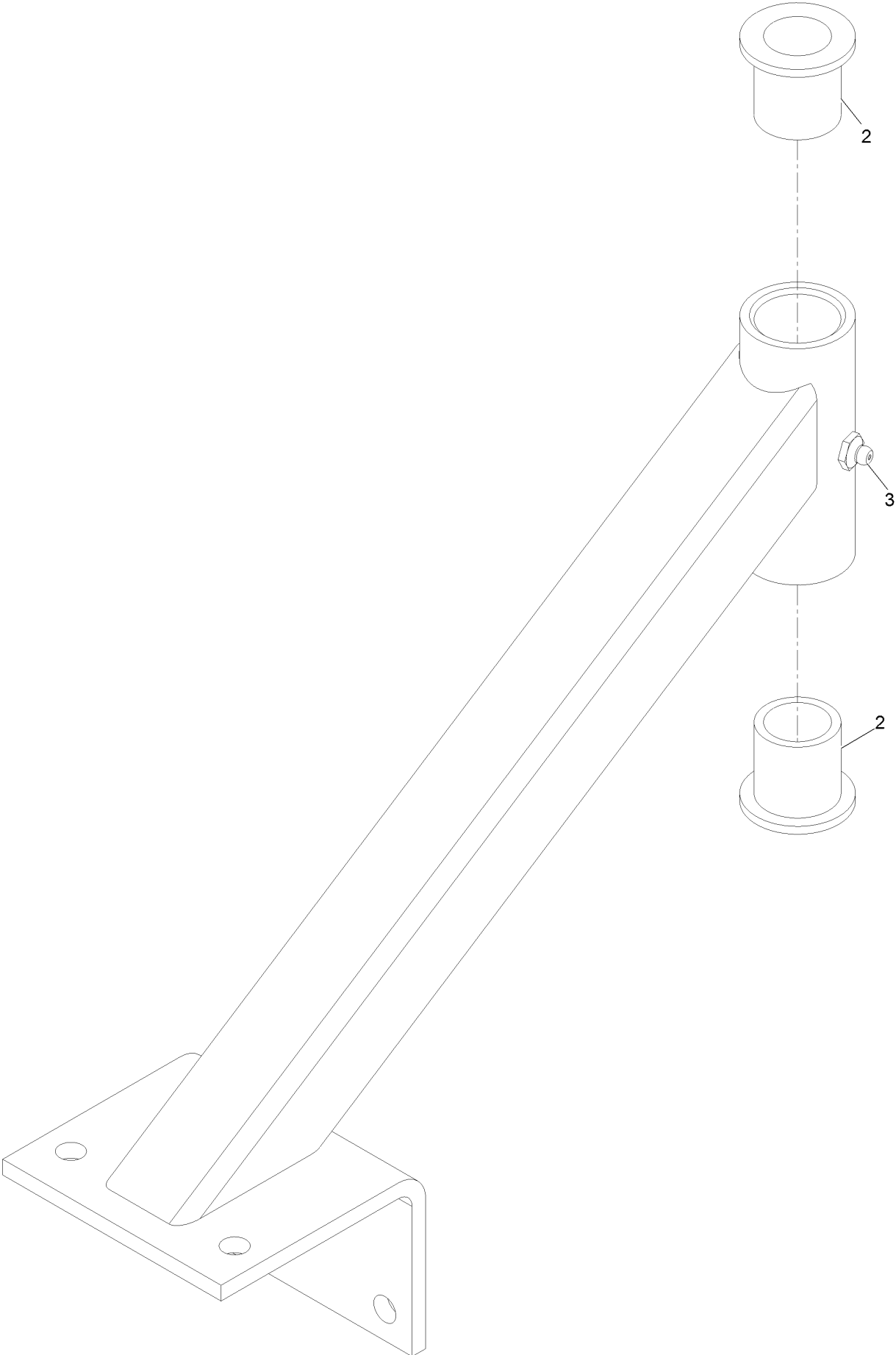
Caster Mount Complete Assembly 103-1238



Caster Mount Complete Assembly 103-1238 (continued)

<i>Ref.</i>	<i>Part Number</i>	<i>Qty.</i>	<i>Description</i>	<i>Ref.</i>	<i>Part Number</i>	<i>Qty.</i>	<i>Description</i>
1	1-302203	1	Support ASM	4	1-513338	1	Washer-Flat
2	1-303314	4	Spacer-Caster	5	1-809020	1	Pin
3	103-1236	1	Caster Wheel Assembly				

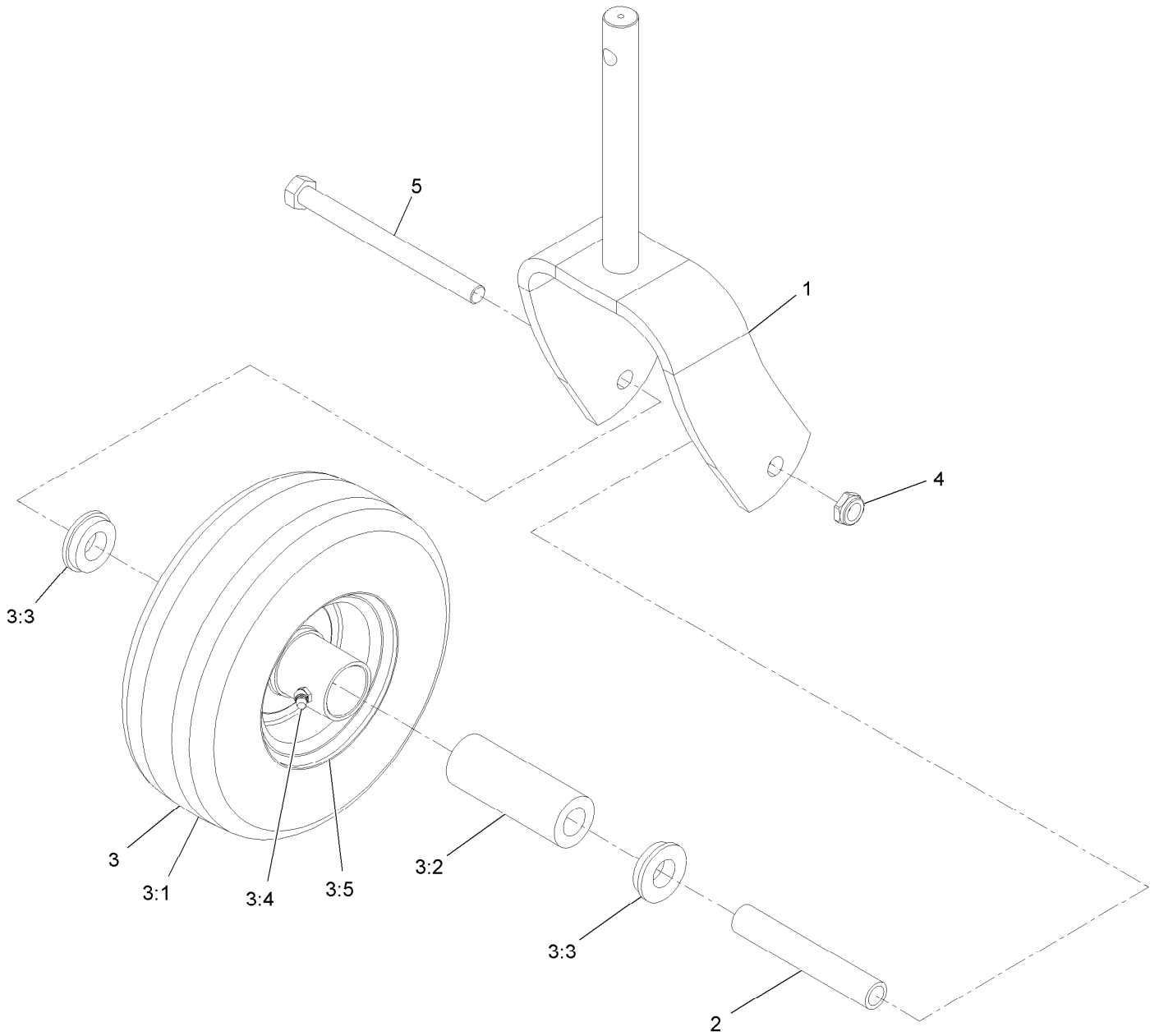
Caster Wheel Support W/Bearings 1-302203



Caster Wheel Support W/Bearings 1-302203 (continued)

<i>Ref.</i>	<i>Part Number</i>	<i>Qty.</i>	<i>Description</i>
2	1-303514	2	Bearing-Flanged
3	302-52	1	Fitting-Grease

Caster Wheel Assembly No. 103-1236

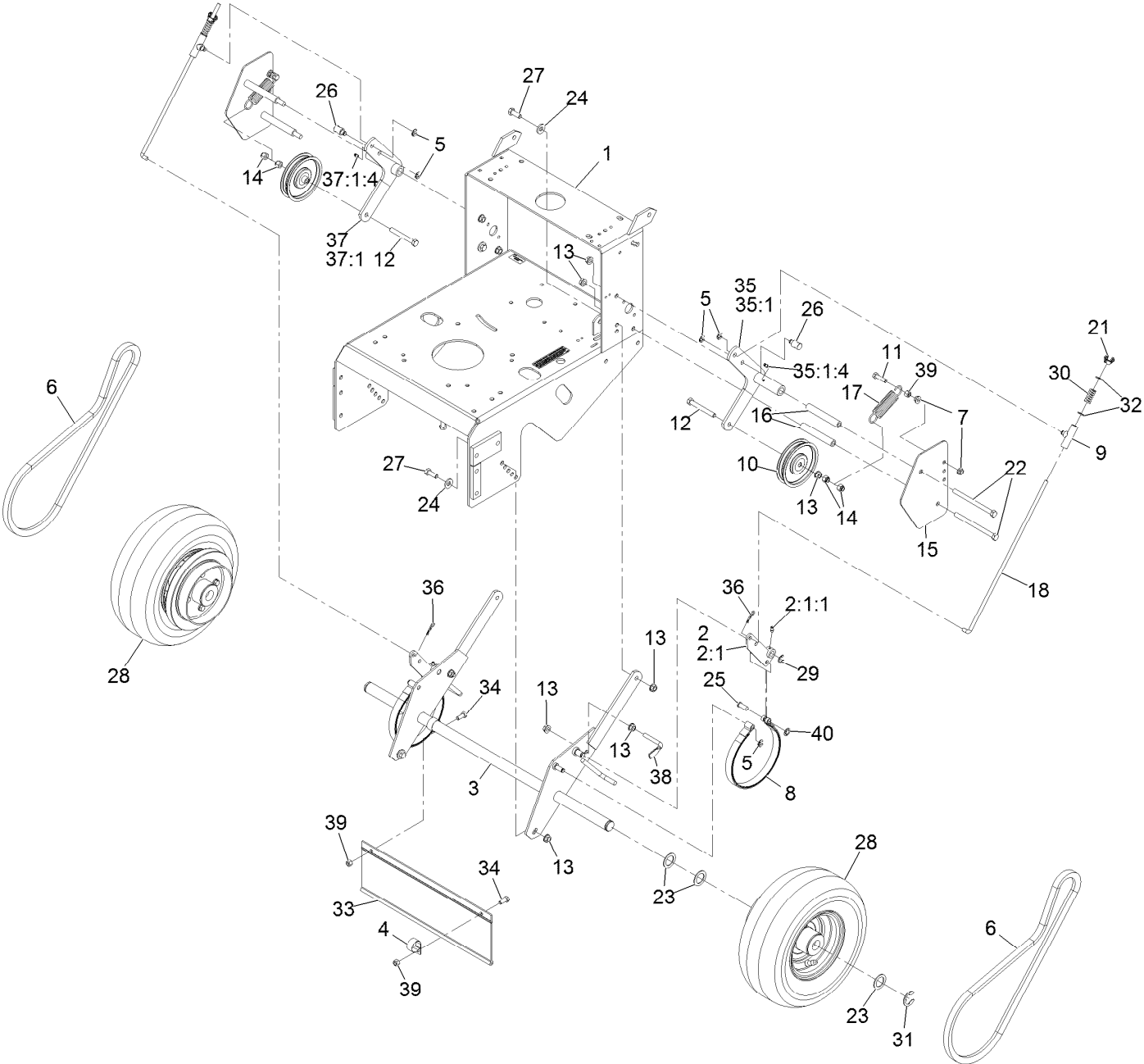


Caster Wheel Assembly No. 103-1236 (continued)

<i>Ref.</i>	<i>Part Number</i>	<i>Qty.</i>	<i>Description</i>	<i>Ref.</i>	<i>Part Number</i>	<i>Qty.</i>	<i>Description</i>
1	116-7942-01	1	Fork-Caster	3:3	1-513810	2	Bushing
2	1-513547	1	Spacer	3:4	302-61	1	Fitting-Grease
3	110-5023	1	Wheel And Tire ASM	3:5		1	Wheel ●
3:1		1	Tire ●	4	3296-45	1	Nut-Hex
3:2	1-513809	1	Bearing	5	325-20	1	Screw-HH

● Not serviced separately

Engine Deck W/Transmission



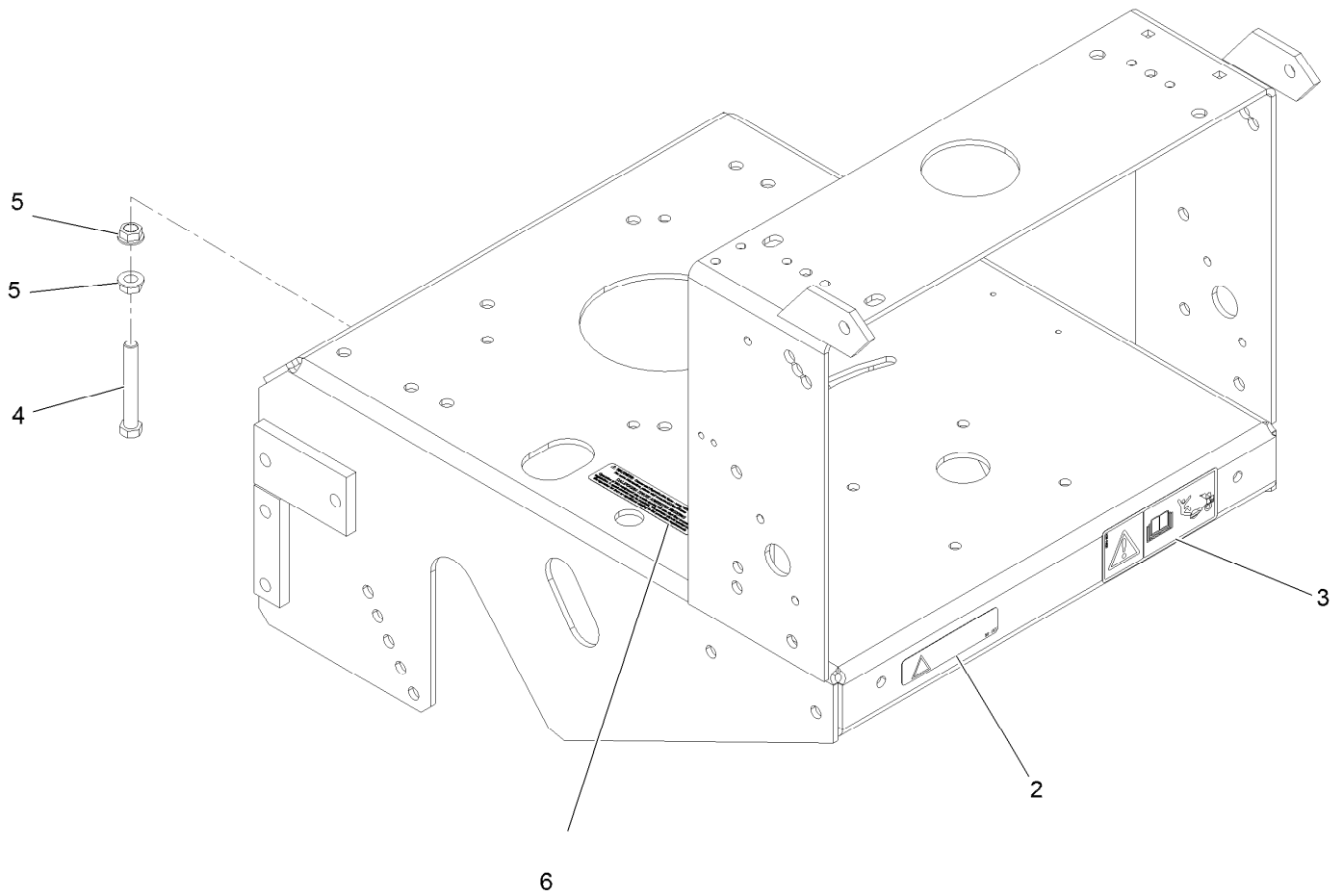
Engine Deck W/Transmission (continued)

<i>Ref.</i>	<i>Part Number</i>	<i>Qty.</i>	<i>Description</i>	<i>Ref.</i>	<i>Part Number</i>	<i>Qty.</i>	<i>Description</i>
1	116-6131	1	ASM, Metro Engine Deck W/Decals	23	1-523157	6	Washer ●
2	103-1611-03	2	Arm-Brake	23	1-543436	8	Washer-Spacer ●
2:1		1	Wld,Brake Arm ■	24	98-5975	4	Washer-Spring Disc 3/8
2:1:1	1-324154	1	Bushing-Zerk	25	1-323307	2	Pin-Clevis 1/2 X 1
3	1-322141-03	1	Axle	26	103-1864	2	Swivel-Lever, Drive
4	2412-104	2	Clamp-R	27	323-6	4	Screw-HH 3/8-16 X 1
5	32151-47	6	Ring-Retaining	28	126-4481	2	Drive Wheel ASM
6	1-323344	2	Belt-Wheel, Drive	29	32120-47	2	Ring-Retaining
7	32128-20	4	Nut-Whizlock 5/16-18	30	1-323245	2	Spring-Compression
8	1-323262	2	Band-Brake	31	1-808519	2	Ring-Snap
9	110-5866	2	Swivel-Brake	32	3256-23	4	Washer-5/16 SAE
10	1-323352	2	Idler-Wheel, Drive	33	98-3259	1	Shield-Trailing
11	116-3515	2	Screw,HH Special 5/16-18 X 1.25	34	322-3	2	Screw-HH 5/16-18 X 3/4
12	99-8664	2	Bolt-HH 3/8-16 X 3 Tap	35	116-7542-03	1	Arm-Idler, LH
13	3290-357	14	Nut-Whizlock 3/8-16	35:1		1	Idler Arm LH Assy ■
14	3296-39	4	Nut-Nyloc 3/8-16	35:1:4	302-19	1	Fitting-Grease
15	1-323287-01	2	Shield-Wheel, Drive	36	1-806003	2	Hairpin-Cotter
16	1-323283	4	Spacer-Shield	37	116-7543-03	1	Arm-Idler, RH
17	1-603402	2	Spring-Extension	37:1		1	Idler Arm RH Assy ■
18	1-323548	2	Linkage-Brake	37:1:4	302-19	1	Fitting-Grease
21	1-513959	2	Wingnut-Nyloc 5/16	38	1-603430	2	Scraper
22	323-39	4	Screw-HH 3/8-16 X 5	39	3296-29	4	Nut-Nyloc 5/16-18
				40	1-803051	2	Nut-Push 3/8

● QTY As Required

■ Not serviced separately

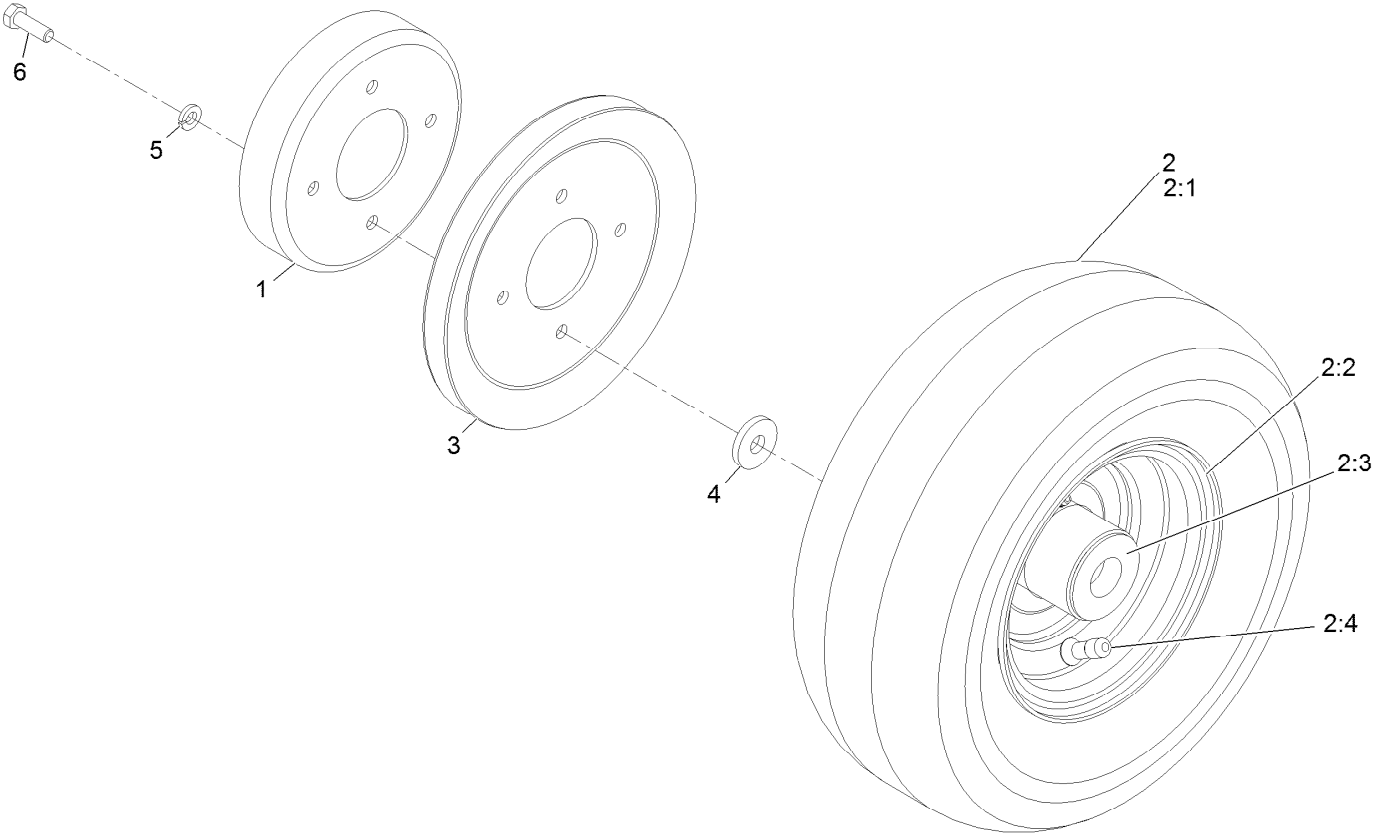
Engine Deck W/Decals Assembly



Engine Deck W/Decals Assembly (continued)

<i>Ref.</i>	<i>Part Number</i>	<i>Qty.</i>	<i>Description</i>	<i>Ref.</i>	<i>Part Number</i>	<i>Qty.</i>	<i>Description</i>
2	98-1977	1	Decal-Warning	5	3290-357	2	Nut-Whizlock 3/8-16
3	126-1400	1	Decal-Warning, Sulky	6	133-8062	1	Decal-Arrestor, Spark
4	323-13	1	Screw-HH 3/8-16 X 2 3/4				

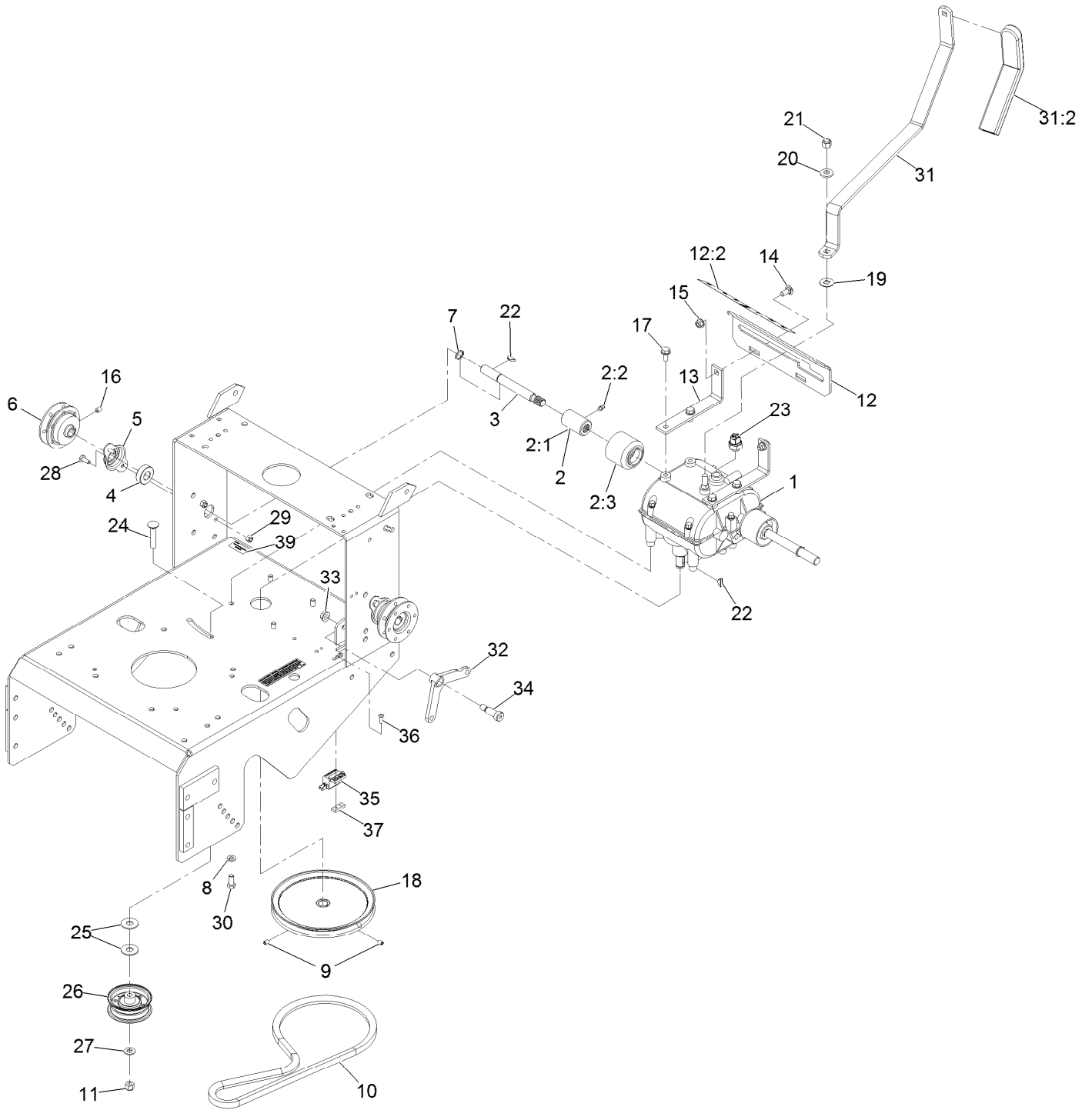
Wheel and Tire Assembly No. 126-4481



Wheel and Tire Assembly No. 126-4481 (continued)

<i>Ref.</i>	<i>Part Number</i>	<i>Qty.</i>	<i>Description</i>	<i>Ref.</i>	<i>Part Number</i>	<i>Qty.</i>	<i>Description</i>
1	1-323261	1	Drum-Brake	3	1-323349	1	Sheave-Wheel, Drive
2	130-8366	1	Wheel And Tire ASM	4	1-373034	4	Washer
2:1	130-8368	1	Tire	5	1-805005	4	Washer-Lock 5/16 Heavy
2:2	1-323360	1	Wheel And Hub ASM	6	322-5	4	Screw-HH 5/16-18 X 1
2:3	232-27	1	Stem-Valve				
2:4	302-5	1	Zerk 1/4-28 Str Thrd Forming				

Engine Deck W/Transmission (cont.)



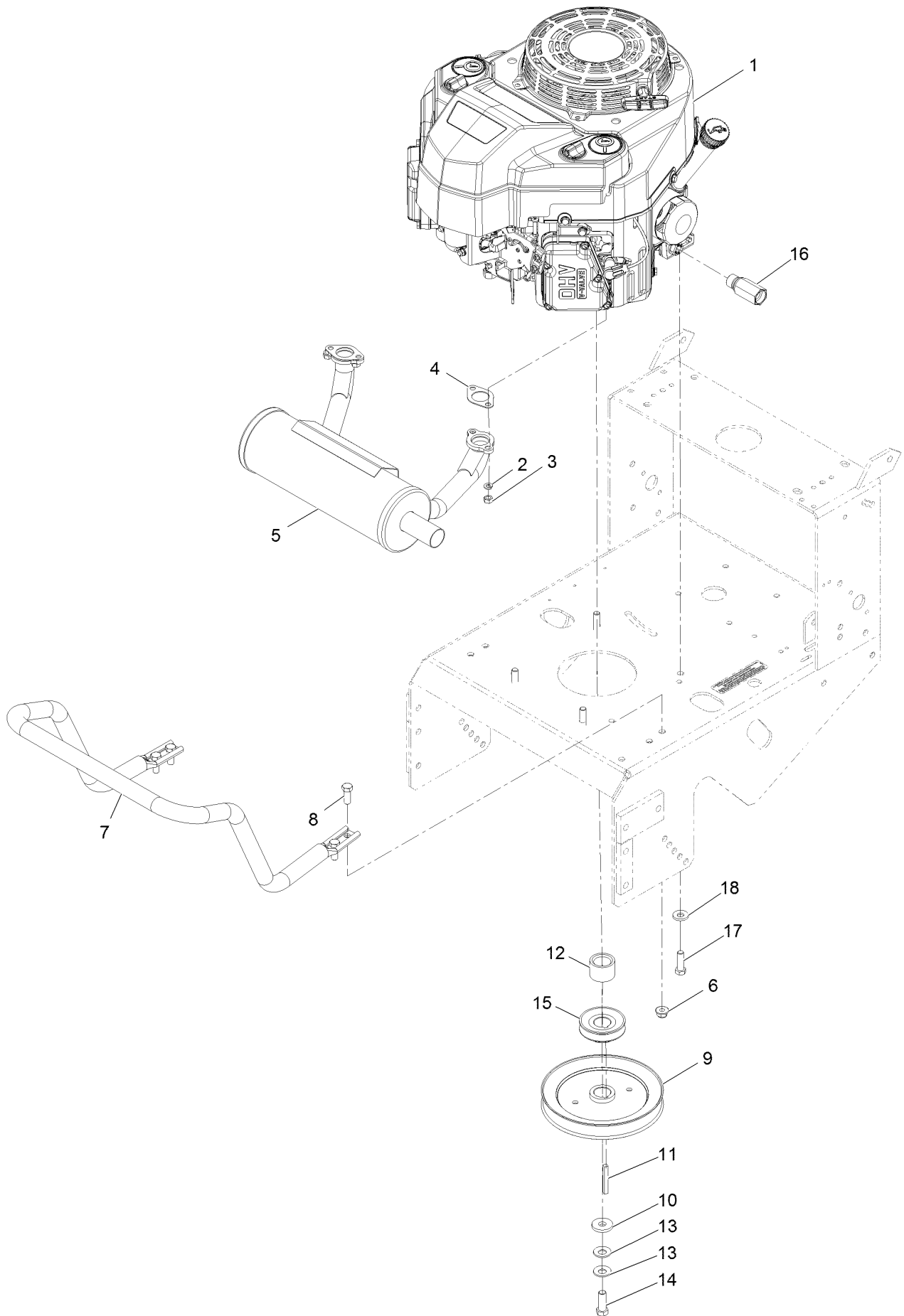
Engine Deck W/Transmission (cont.) (continued)

<i>Ref.</i>	<i>Part Number</i>	<i>Qty.</i>	<i>Description</i>	<i>Ref.</i>	<i>Part Number</i>	<i>Qty.</i>	<i>Description</i>
1	137-4105	1	Transmission-5 Speed	18	1-323278	1	Sheave-Transmission ●
2	1-324340	2	Coupling, W/Guard And Zerk	19	1-323379	1	Washer
2:1	1-323680	1	Coupler	20	98-5975	1	Washer-Spring Disc 3/8
2:2	302-19	1	Zerk-1/4-28 Str	21	3296-6	1	Nut-Nyloc 3/8-24
2:3	51-4220	1	Guard-Coupler	22	3257-5	3	Key-Woodruff #9 3/4 X 3/16
3	1-323502	2	Shaft-Transmission	23	1-303282	1	Switch-Start, Neutral
4	1-323252	2	Bearing-Shaft ●	24	3231-6	1	Bolt-Carriage 3/8-16 X 2
5	1-323254	2	Flange-Output	25	3256-5	2	Washer-7/16 Std
6	103-6512	2	Sheave-Transmission ●	26	130-8362	1	Pulley-Idler, Flat
7	32151-62	2	Ring-Retaining	27	3256-24	1	Washer-3/8 SAE
8	1-805005	4	Washer-Lock 5/16 Heavy	28	321-3	4	Screw-HH 1/4-20 X 5/8
9	3245-41	2	Setscrew-1/4-20 X 3/8 ■	29	3296-42	4	Nut-Nyloc 1/4-20
10	1-323280	1	Belt, Transmission Drive	30	322-3	4	Screw-HH 5/16-18 X 3/4
11	3296-39	1	Nut-Nyloc 3/8-16	31	103-1606	1	Lever, Shift W/Grip
12	103-3498	1	Asm, Shifter Plate W/ Decals	31:2	103-1733	1	Grip Foam
12:2	98-3264	1	Decal-Speed, Ground	32	1-303186	1	Bellcrank
13	1-323389-03	2	Bracket-Plate, Shift	33	3290-357	1	Nut-Whizlock 3/8-16
14	3230-1	2	Bolt-Carriage 5/16-18 X 3/4	34	1-603403	1	Bolt-Shoulder
15	104-8300	2	Nut-Nyloc 5/16-18 Flg	35	1-513051	1	Switch-N.O.
16	3246-18	2	Setscrew-5/16-18 X 3/8 ■	36	3290-500	2	Screw-PPH #10-24 X 5/8
17	32144-11	4	Screw-HWH 5/16-18 X 3/4 Tf	37	1-633181	1	Plate-Tapped
				39	126-4345	1	Decal-Patent

● Apply anti-seize compound in bore.

■ Use Pro-Lock, Nut Type (P/N 1-840022, .5ml tube) on threads.

Engine Assembly



Engine Assembly (continued)

<i>Ref.</i>	<i>Part Number</i>	<i>Qty.</i>	<i>Description</i>	<i>Ref.</i>	<i>Part Number</i>	<i>Qty.</i>	<i>Description</i>
1		1	Engine-Kawasaki ●▲	10	1-373034	1	Washer
2	114-3550	4	Washer-Spring Lock M8	11	103-4177	1	Key
3	114-3549	4	Nut-M8	12	1-633453	1	Spacer-Clutch
4	1-653313	2	Gasket-Exhaust	13	1-603610	2	Washer-Spring Disc 7/16
5	116-3734	1	Muffler-Horizontal, Offset	14	116-3702	1	Screw-HH ◆
6	104-8301	4	Nut-Nyloc 3/8-16 Flg	15	103-1666	1	Sheave-Transmission ■
7	135-4729-03	1	Tube-Guard Muffler	16	103-2587	1	Adapter
8	323-6	4	Screw-HH 3/8-16 X 1	17	323-7	4	Screw-HH 3/8-16 X 1 1/4
9	103-1667	1	Sheave ■	18	98-5975	4	Washer-Spring Disc 3/8

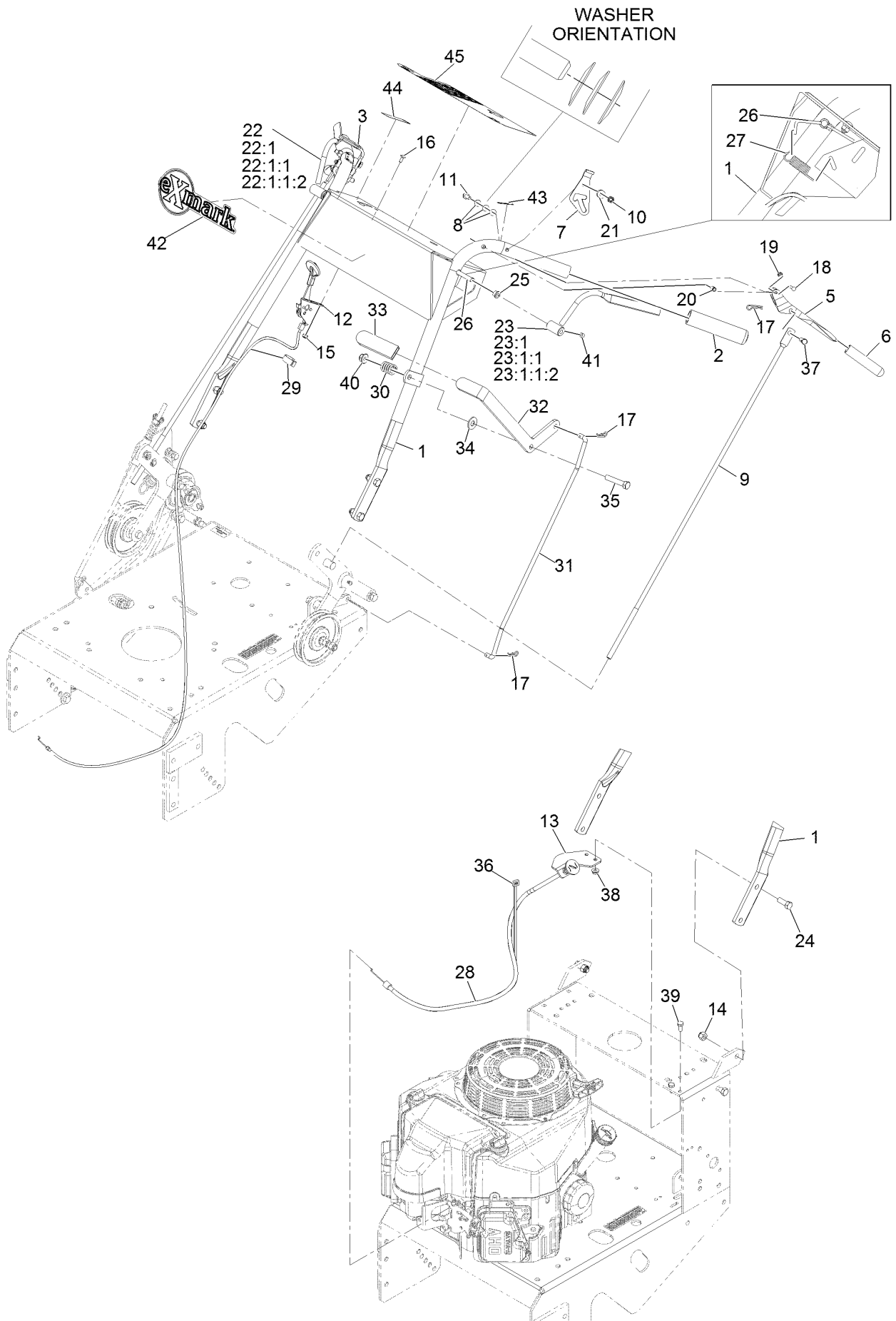
● Not serviced separately

▲ Obtain parts from www.kawpowerepc.com

◆ Use Pro-Lock, Nut Type (P/N 1-840022, .5ml tube) on threads.

■ Apply anti-seize compound in bore.

Pistol Grip Upper Handle and Controls



Pistol Grip Upper Handle and Controls (continued)

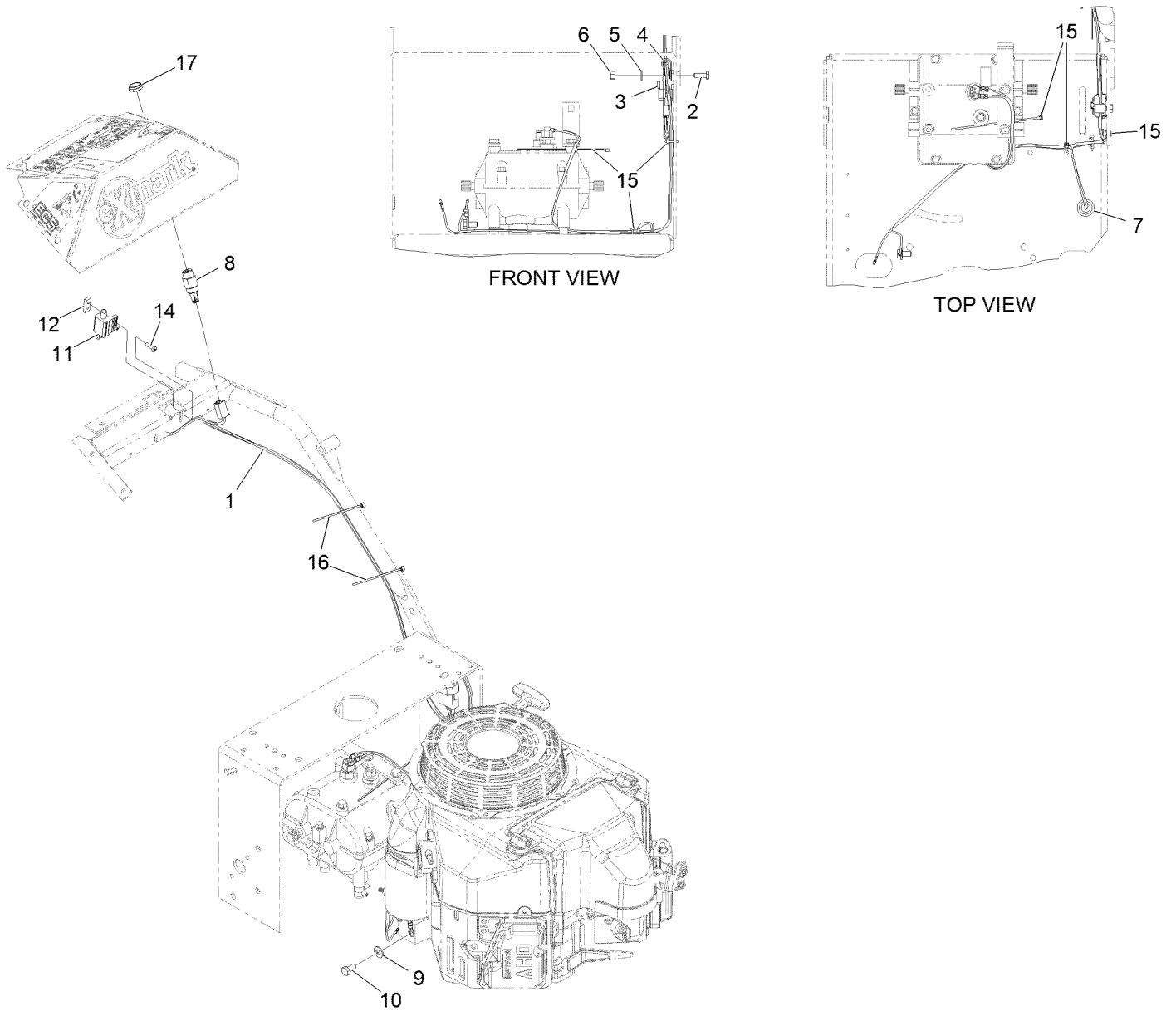
<i>Ref.</i>	<i>Part Number</i>	<i>Qty.</i>	<i>Description</i>	<i>Ref.</i>	<i>Part Number</i>	<i>Qty.</i>	<i>Description</i>
1	109-4682-03	1	Wld,Handle Metro	23:1		1	Lever ●
1	109-4695	1	Kit, Handle W/Decals	23:1:1		1	ASM,Hub/Setscrew ●
2	104-9838	2	Grip-Foam	23:1:1:2	1-803322	1	Setscrew-5/16-24 X 5/16 ■
3	137-9508	1	Latch-LH Thumb,W/Grip	24	323-6	4	Screw-HH 3/8-16 X 1
5	1-302006	2	Drive Lever ASM	25	1-303365	2	Bushing-Nylon
6	1-303021	2	Grip-Lever, Drive	26	1-322192-03	1	Rod Weldmt, Opc
7	137-9507	1	Latch-RH Thumb,W/Grip	27	1-303363	1	Spring-Extension
8	1-303435	6	Washer-Spring Disc 1/4	28	103-1796	1	Cable-Choke
9	1-323359	2	Linkage-Wheel, Drive	29	1-303088	1	Clip-Cable
10	3296-42	2	Nut-Nyloc 1/4-20	30	1-303160	1	Spring-Compression
11	321-18	2	Screw-HH 1/4-20 X 2 1/4	31	1-323298	1	Linkage-Blade, Upper
12	116-2426	1	Control, Throttle	32	116-6331	1	Lever ASM
13	103-1797-01	1	Bracket-Cable, Choke	33	1-303020	1	Grip-Lever
14	3296-39	4	Nut-Nyloc 3/8-16	34	3256-4	1	Washer-3/8 Std
15	3296-2	2	Nut-Nyloc #10-24	35	323-10	1	Screw-HH 3/8-16 X 2
16	1-807513	2	Bolt-Carriage #10-24 X 1/2	36	1-303335	1	Tie-Cable 7 15/16 (Large)
17	1-806003	4	Hairpin-Cotter	37	1-808286	2	Pin-Clevis
18	1-808250	2	Pin-Lever, Drive	38	32128-33	2	Nut-Whizlock 1/4-20
19	1-803001	2	Nut-Push	39	321-3	2	Screw-HH 1/4-20 X 5/8
20	1-806340	2	Pin-Roll	40	104-8301	1	Nut-Nyloc 3/8-16 Flg
21	1-323549	2	Spacer	41	1-803322	2	Setscrew-5/16-24 X 5/16 ■
22	1-412185-03	1	Lever-RH ▲	42	126-6877	1	Decal, Exmark Logo
22:1		1	Lever ●	43	116-7878	2	Decal-Neutral Brake
22:1:1		1	ASM,Hub/Setscrew ●	44	106-2733	1	Decal-Throttle
22:1:1:2	1-803322	1	Setscrew-5/16-24 X 5/16 ■	45	135-2865	1	Decal-Console
23	1-412183-03	1	Lever-LH ▲				

● Not serviced separately

■ Use Pro-Lock, Nut Type (P/N 1-840022, .5ml tube) on threads.

▲ Use Pro-Lock retaining type, Part no. 1-840023 (.5cc tube) on inside of bore of OPC hub.

Electrical Assembly

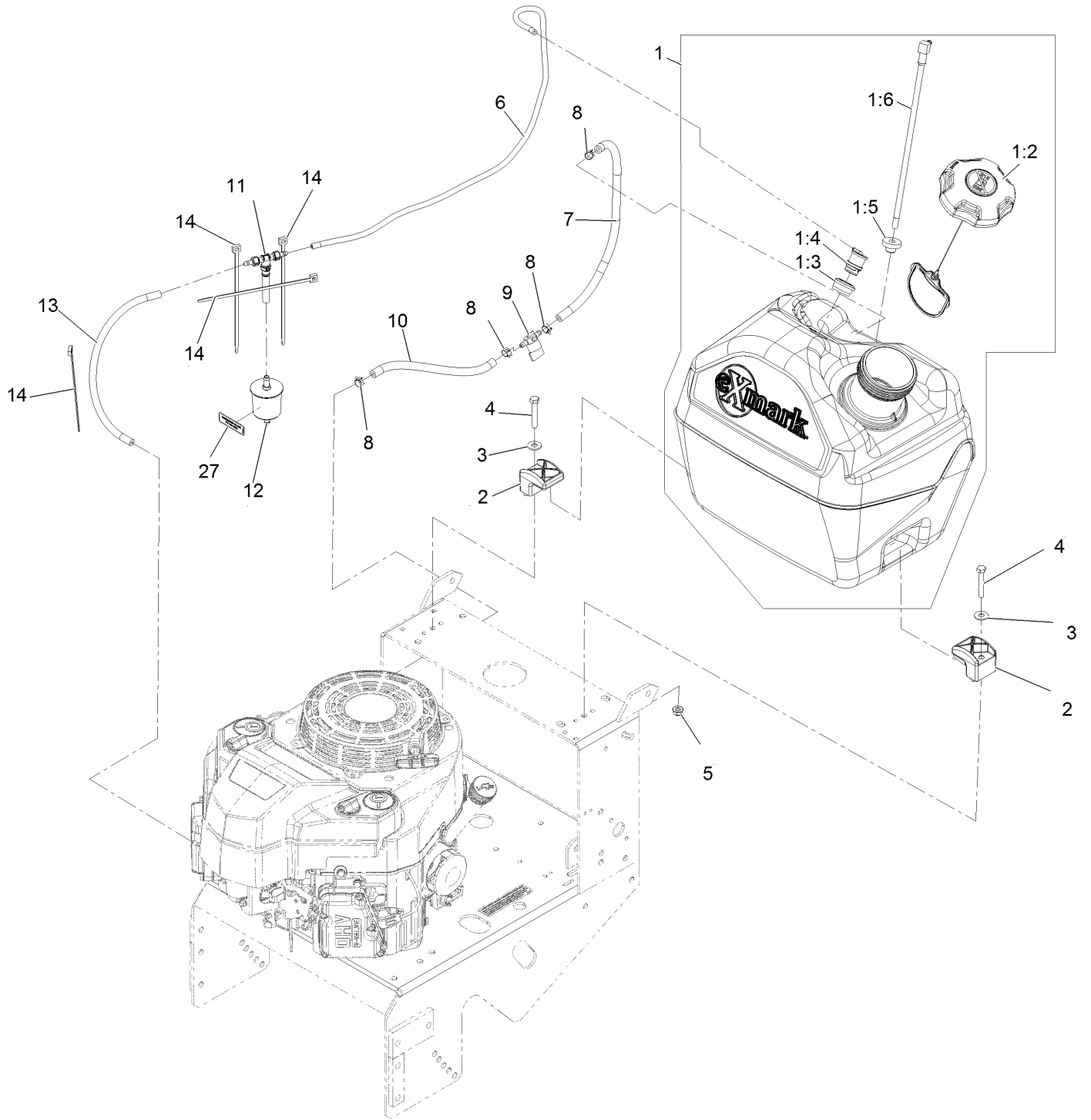


Electrical Assembly (continued)

<i>Ref.</i>	<i>Part Number</i>	<i>Qty.</i>	<i>Description</i>	<i>Ref.</i>	<i>Part Number</i>	<i>Qty.</i>	<i>Description</i>
1	116-2661	1	Harness-Wire ●	9	33094-00	1	Washer
2	321-4	1	Screw-HH 1/4-20 X 3/4	10	33114-016	1	Screw-HH M8-1.25 X 16Mm
3	1-323430	1	Module-Interlock	11	1-513051	1	Switch-N.O.
4	1-513762	1	Clip-Loom 1/2	12	1-633181	1	Plate-Tapped
5	3256-22	1	Washer-1/4 SAE	14	3290-500	2	Screw-PPH #10-24 X 5/8
6	3296-42	1	Nut-Nyloc 1/4-20	15	1-303287	3	Tie-Cable 5 1/2 (Small)
7	1-543296	1	Grommet	16	1-303287	2	Tie-Cable 5 1/2 (Small)
8	1-403121	1	Switch & Key (Includes Nut & Washer)	17	103-0498	1	Nut-Ignition

● Use dielectric grease on all unsealed connectors and terminals only. Do not apply in sealed connectors.

Fuel Assembly



Fuel Assembly (continued)

<i>Ref.</i>	<i>Part Number</i>	<i>Qty.</i>	<i>Description</i>	<i>Ref.</i>	<i>Part Number</i>	<i>Qty.</i>	<i>Description</i>
1	135-2855	1	ASM, Fuel Tank 5 Gal	7	114-4428	1	Hose-Fuel
1:2	137-4119	1	Cap-Fuel, Ratcheting	8	2412-98	4	Clamp-Hose
1:3	114-0284	1	Grommet	9	1-603770	1	Valve-Fuel
1:4	119-3547	1	Valve-Vent, Fuel	10	109-0293	1	Hose-Fuel Line 8 1/2"
1:5	46-6560	1	Bushing	11	116-5464	1	Tee And Check
1:6	109-9364	1	Fitting-Fuel (W/Line And Screen)	12	120-2235	1	Filter-Fuel
2	107-4543	2	Clamp	13	115-7872	1	Hose-Fuel
3	3256-3	2	Washer-5/16 Std	14	1-303335	4	Tie-Cable 7 15/16 (Large)
4	322-10	2	Screw-HH 5/16-18 X 2	27	116-4769	1	Decal-Filter, Emissions
5	104-8300	2	Nut-Nyloc 5/16-18 Flg	28		1	Pn 41019-1055 Filter W/6In Fuel Line ●■▲
6	116-4346	1	Hose-Emissions				

● Not illustrated
▲ Obtain parts from www.kawpowerepc.com

■ Not serviced separately

Notes:

Notes:

Notes:



MAXIMIZE THE PERFORMANCE OF YOUR EXMARK MACHINE.



EXMARK® PREMIUM ENGINE OIL

Exmark now offers a family of engine oil viscosities to perform well in any environment. Each viscosity has the same synthetic formulation to give you what you need in punishing conditions. We designed each grade to the highest quality, making it ideal even for diesel applications. Coupled with Exmark Premium Fuel Treatment, we have the performance products to make your machine hum.

EXMARK PREMIUM ENGINE OIL SAE 30/10W-30

- Meets zero shear requirements of a straight grade SAE 30 as well as the cold temp properties of a 10W-30.
- Most versatile oil in the industry.
- Superior corrosion protection over conventional oil - even in corrosive, humid environments.

EXMARK PREMIUM ENGINE OIL SAE 20W-50

- Perfect for your big block engine, or any application in severe service.
- Same full synthetic formulation as all other Exmark Premium viscosities.
- Also effective for use in severe service small block engines.

EXMARK PREMIUM ENGINE OIL SAE 10W-50

- Full synthetic formulation gives you peak performance. Don't settle for less.
- Wide span multi-grade combines easy starting in cold weather with maximum protection in high temperature operation.
- Reduce friction & wear over standard mineral formulations.

EXMARK PREMIUM ENGINE OIL SAE 0W-40

- The perfect choice for when the weather turns cold or unpredictable, and your Exmark UTV has to perform.
- Commercial quality for severe service.
- Advanced additive package helps prevent corrosion from long-term storage.

EXMARK PREMIUM ENGINE OIL UTV FORMULATION

- 4-cycle high-temp formulation.
- Heavier viscosity, full synthetic, perfect for your UTV.

EXMARK PREMIUM UTV EXTREME CONDITIONS GEAR OIL

- SAE 80W-90, designed to keep your UTV performing at its peak.
- Shear stable, hypoid gear lube.
- Includes a premium additive system to combat wear, oxidation, rust & corrosion.

Available from your local Exmark dealer. Find your closest dealer at exmark.com

EXMARK ACCESSORIES AND OPTIONS*

MID-MOUNT RIDING ACCESSORIES AND OPTIONS

CUSTOM RIDE SEAT SUSPENSION SYSTEM	OPERATOR CONTROLLED DISCHARGE
FULL SUSPENSION SEAT	SUN SHADE
DECK LIFT ASSIST KIT	TRASH CONTAINER
HITCH KIT	TURF STRIPER
LIGHT KIT	ULTRA VAC COLLECTION SYSTEM
12V POWER PORT	ULTRA VAC QUICK DISPOSAL SYSTEM
MICRO-MULCH SYSTEM	

OUT-FRONT RIDING ACCESSORIES AND OPTIONS

CUSTOM RIDE SEAT SUSPENSION SYSTEM	SNOW BLADE
DUAL-TAIL WHEEL	SNOWBLOWER
FLOOR PAN EXTENDER	SUN SHADE
HITCH KIT	TRASH CONTAINER
LIGHT KIT	ULTRA VAC COLLECTION SYSTEM
MICRO-MULCH SYSTEM	ULTRA VAC QUICK DISPOSAL SYSTEM
ROLL OVER PROTECTION SYSTEM (ROPS)	WEATHER CAB

WALK-BEHIND ACCESSORIES AND OPTIONS

GRASS CATCHER	TURF STRIPER
MICRO-MULCH SYSTEM	STANDON

*Some accessories and options not available for some models.

Place Model No. and Serial No.
Label Here (Included in the Literature
Pack) or Fill in Below

Model No. _____

Serial No. _____

Date Purchased _____

Engine Model No. and Spec. No. _____

Engine Serial No. (E/No) _____

© 2018 Exmark Mfg. Co., Inc.
2101 Ashland Ave
Beatrice, NE 68310
All Rights Reserved

Part No. 4503-947 Rev. A
(402) 223-6375
Fax (402) 223-5489
Printed in the USA.

