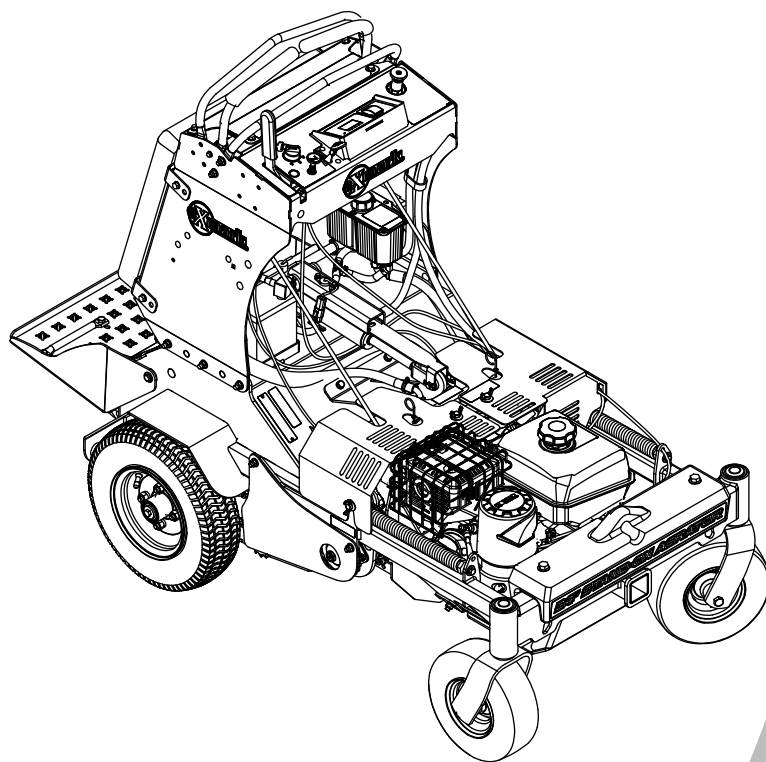




# STAND-ON AERATOR

Model No. ARX440GKC24000—Serial No. 402082300 and Up

Picture below may not reflect actual product.



# Parts Manual

Part No. 4503-892 Rev. A

# Ordering Replacement Parts

To order replacement parts, please supply the part number, the quantity, and the description of each part desired.

## Understanding Reference Numbers

Each identified part in an illustration has a reference number. The reference number for a part also appears in the parts list, along with other information about the part.

This catalog uses two special reference number formats, one to indicate parts in a service assembly and another to indicate the quantity of a given part in an illustration.

## Service Assembly Reference Numbers

Parts in service assemblies have reference numbers in the form a:b. The a represents the reference number of the entire service assembly and the b represents a sequential number unique to each part within the service assembly.

For example, a wheel assembly might be identified by reference number 6, the tire by 6:1, the valve by 6:2, and the wheel by 6:3. When you order the assembly identified by reference number 6, you receive all parts identified by reference numbers 6:1, 6:2, and 6:3. However, you may also order any part individually. Reference numbers of this type appear in illustration and in parts lists.

## Reference Numbers Indicating Quantity

In an illustration, if a reference number indicates more than one part, the reference number has the form nX y. The n represents the quantity of the part, the X is the multiplication symbol, and the y represents the reference number.

For example, in an illustration, the reference number 2X 37 means that two of the parts identified by reference number 37 are indicated.

# Touch Up Paint

Exmark black touch up spray paint – gloss black.

Exmark red touch up paint (spray paint – P/N 1-850337 - .6 oz liquid bottle – P/N 103-9140).

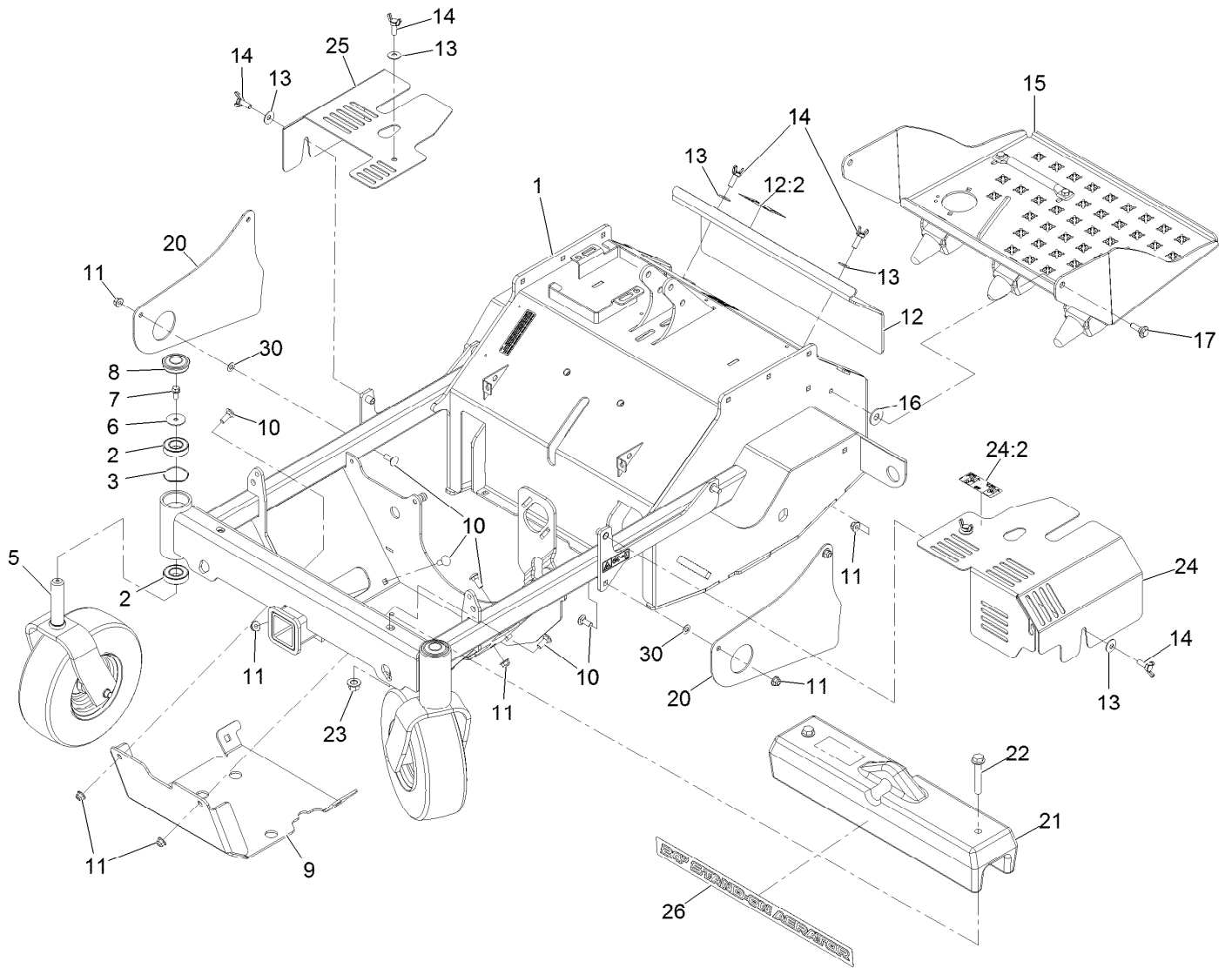


If your Exmark dealer does not have the Exmark part in stock, Exmark will get the parts to the dealer the next business day or the part will be FREE Guaranteed!! (Some restrictions apply. See your participating Exmark Dealer for details.)

## Contents

Main Frame Assembly .....	4
Main Frame w/Decals .....	6
Caster Wheel Assembly .....	8
Tower Assembly .....	10
Tower Assembly w/Decals .....	12
Motion Control Assembly .....	14
LH Motion Control Linkage Assembly .....	16
RH Motion Control Linkage Assembly .....	18
Engine Assembly .....	20
Auxiliary Hydraulic Assembly .....	22
Manifold Assembly No. 126-9321 .....	24
Ground Drive Assembly .....	26
Wheel and Tire Assembly .....	28
LH Transaxle Assembly .....	30
RH Transaxle Assembly .....	32
Idler Arm Assembly No. 126-9116 .....	34
Tine Assembly .....	36
RH Tine Wheel Assembly .....	38
LH Tine Wheel Assembly .....	40
Electrical Assembly .....	42
Wire Harness Assembly No. 126-9535 .....	44

# Main Frame Assembly

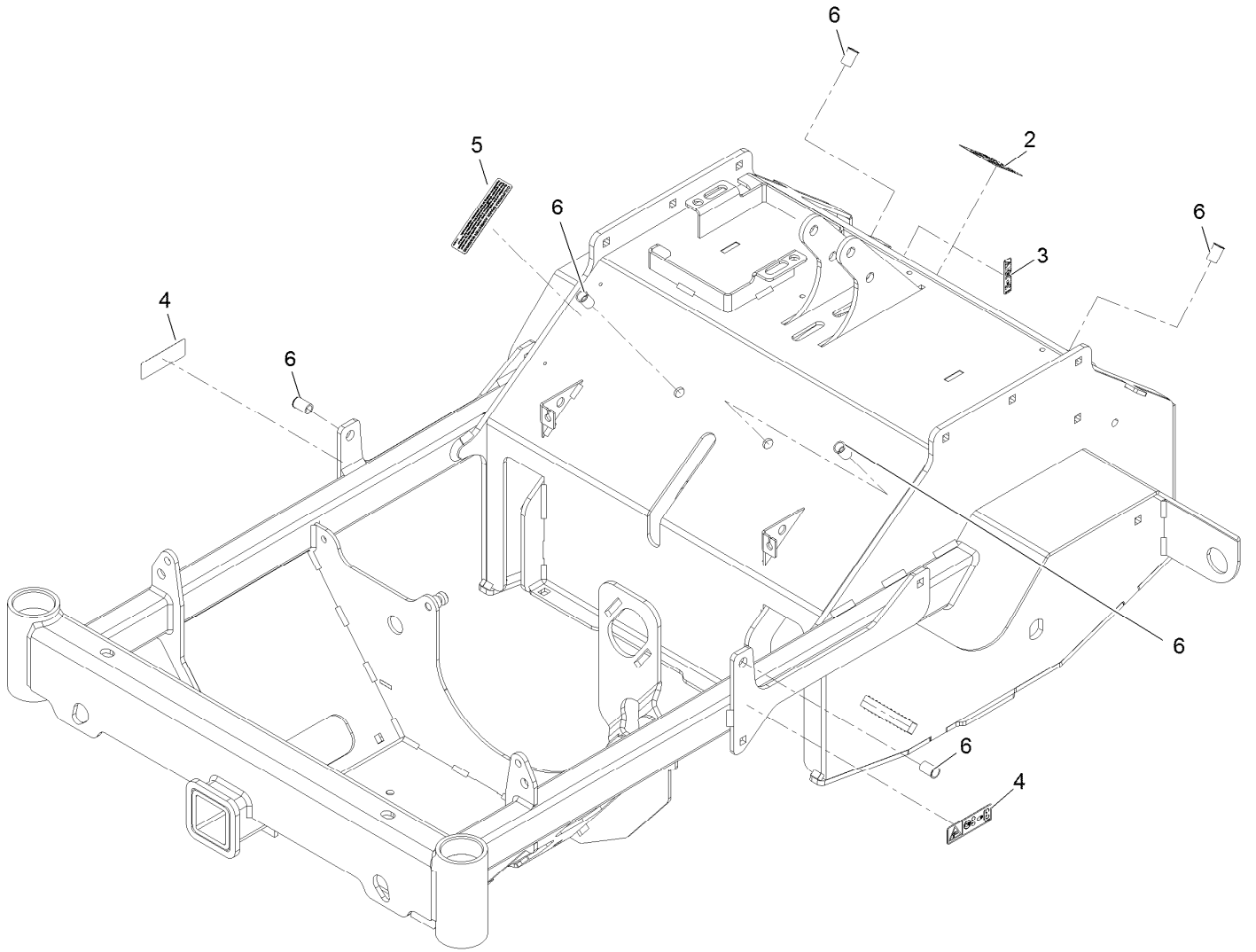


## Main Frame Assembly (continued)

<i>Ref.</i>	<i>Part Number</i>	<i>Qty.</i>	<i>Description</i>	<i>Ref.</i>	<i>Part Number</i>	<i>Qty.</i>	<i>Description</i>
1	126-8700	1	Main Frame ASM	14	126-6752	6	Screw-Thumb
2	109-3678	4	Bearing-Ball	15	126-9135	1	Platform ASM
3	126-5897	2	Spring	16	3256-6	2	Washer
5		2	Front Caster ASM ●	17	614672	2	Screw-Shoulder 3/8-16 X 1.295
6	3256-68	2	Washer-Flat	20	126-9819-01	2	Guard-Chain
7	3234-5	2	Screw-HH Flg 5/16-18 X 3/4	21	135-2017	1	Weight-Front
8	116-4348	2	Cap-Grease	22	3234-40	2	Screw-HF
9	126-8726-03	1	Guard-Engine	23	99-5107	2	Nut-Lock 1/2-13
10	3231-2	8	Bolt-Carriage 3/8-16 X 1	24	135-3270	1	Hydro-Cover
11	104-8301	10	Nut-Nyloc 3/8-16 Flg	24:2	135-3183	1	Decal-Release, Drive
12	126-8801	1	Access Cover ASM	25	135-0822-03	1	Cover-Hydro
12:2	121-6163	1	Decal-Operation, Tine Ground (CE)	26	135-3936	1	Decal-Standon Aerator 24
13	3290-461	6	Washer-Spring Disc	30	131-8667	4	Washer-Thrust

● Not serviced separately

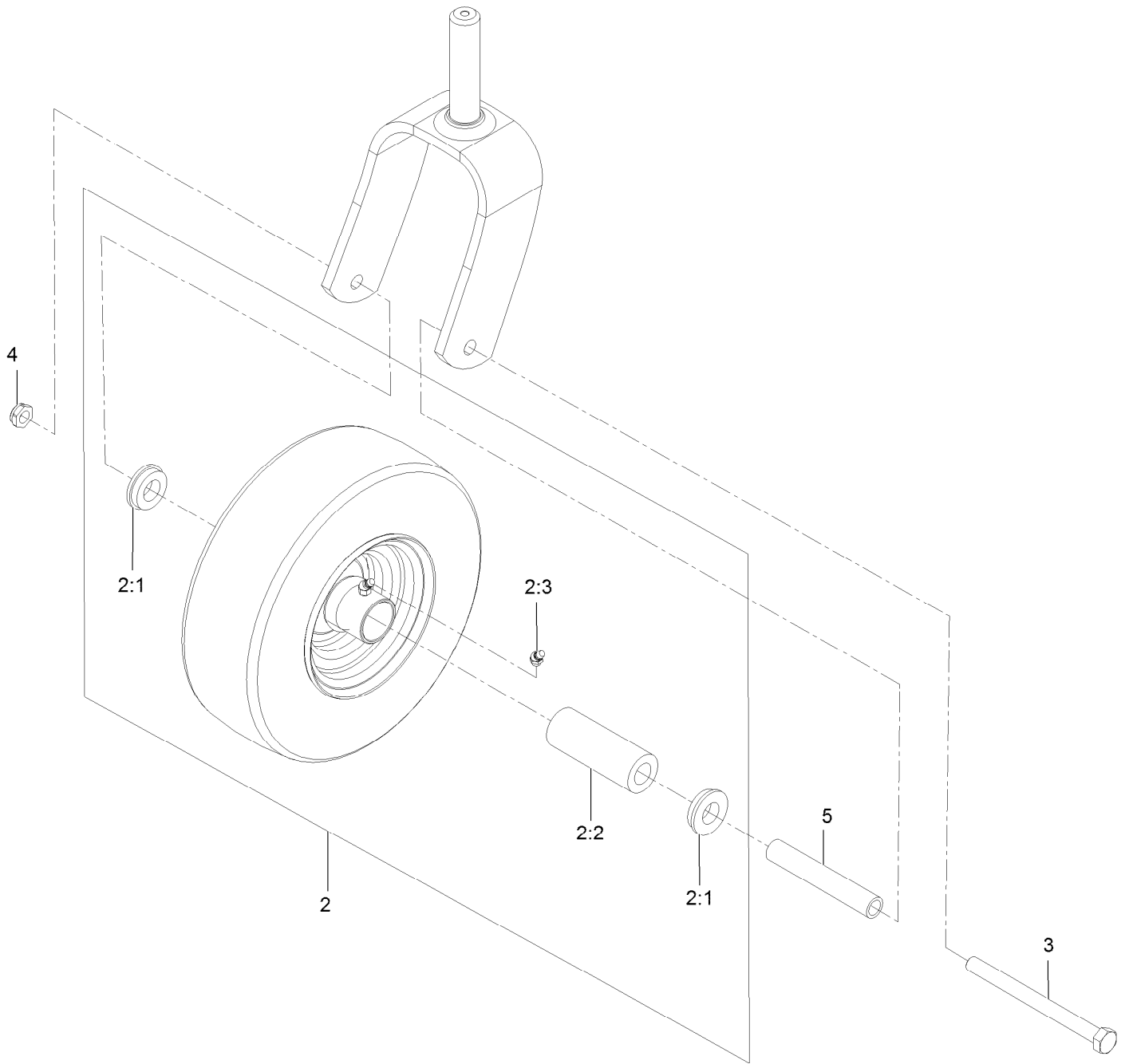
# Main Frame w/Decals



## Main Frame w/Decals (continued)

<i>Ref.</i>	<i>Part Number</i>	<i>Qty.</i>	<i>Description</i>	<i>Ref.</i>	<i>Part Number</i>	<i>Qty.</i>	<i>Description</i>
2	121-6150	1	Decal-Warning	5	117-2718	1	Decal-Arrester, Spark
3	120-9570	1	Decal-Warning	6	32148-10	6	Insert-Nut
4	121-6161	2	Decal-Danger				

# Caster Wheel Assembly

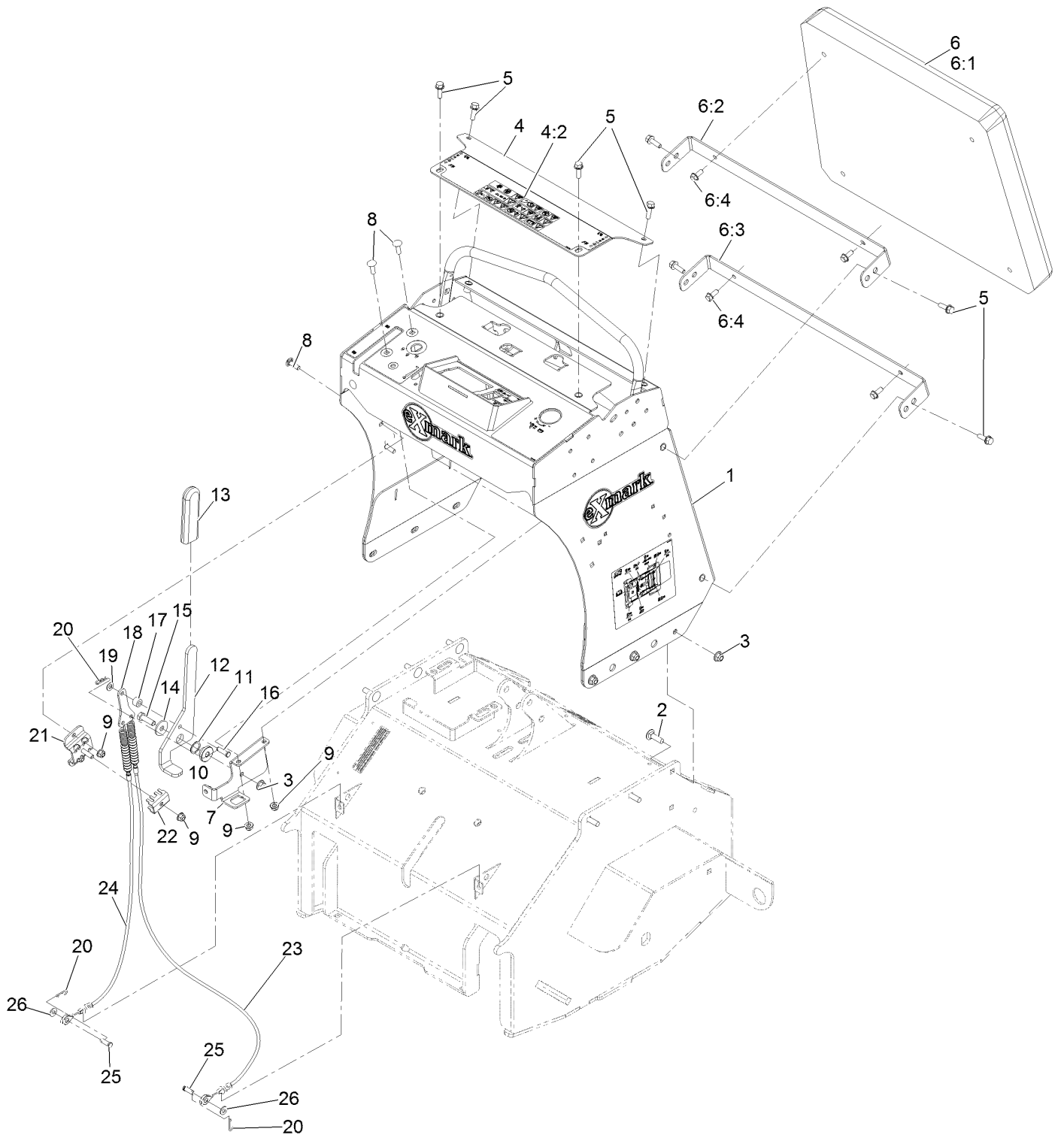




## Caster Wheel Assembly (continued)

<i>Ref.</i>	<i>Part Number</i>	<i>Qty.</i>	<i>Description</i>	<i>Ref.</i>	<i>Part Number</i>	<i>Qty.</i>	<i>Description</i>
2	126-8921	1	Wheel And Tire ASM	3	325-20	1	Screw-HH 1/2-13 X 6
2:1	1-513810	2	Bushing-Flanged	4	3296-45	1	Nut-Nyloc 1/2-13 Thin
2:2	1-513809	1	Bearing	5	1-513547	1	Spacer
2:3	302-61	1	Zerk-45° 1/4-28				

# Tower Assembly

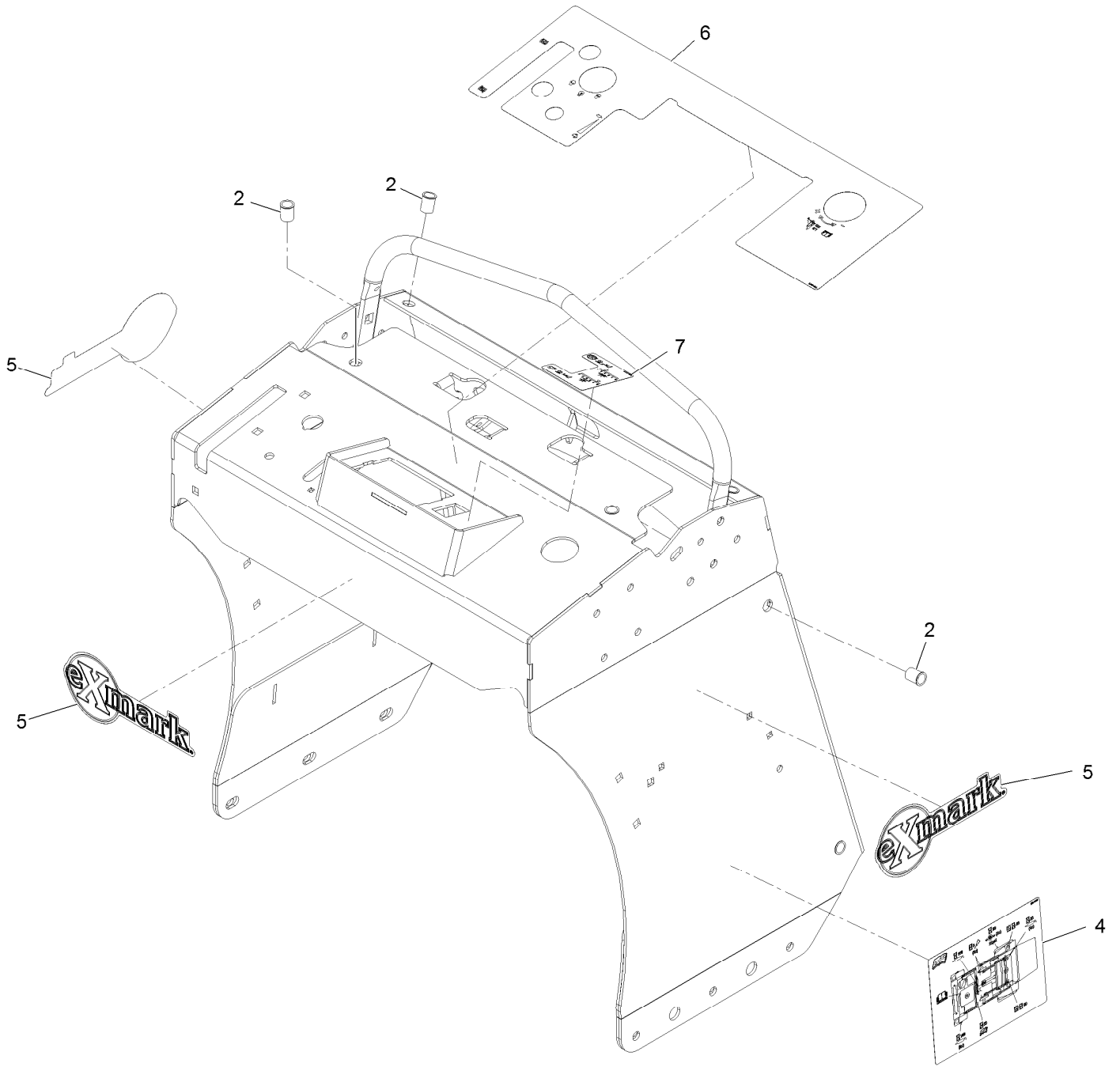


## Tower Assembly (continued)

<i>Ref.</i>	<i>Part Number</i>	<i>Qty.</i>	<i>Description</i>	<i>Ref.</i>	<i>Part Number</i>	<i>Qty.</i>	<i>Description</i>
1	135-1700	1	Control Tower ASM	11	119-4164	1	Washer-Wave
2	3231-25	6	Bolt-Carriage 3/8-16 X 1 1/4	12	135-1715	1	Handle-Brake
3	104-8301	7	Nut-Nyloc 3/8-16 Flg	13	1-633268	1	Grip-Lever
4	135-1695	1	Control Panel ASM	14	2844	1	Washer
4:2	135-2014	1	Decal-Warning	15	323-7	1	Screw-HH 3/8-16 X 1 1/4
5	3234-29	8	Screw-HH Flg 5/16-18 X 1	16	283-61	1	Pin-Yoke
6		1	Cushion ASM ●	17	114-8549	1	Bushing
6:1	135-1693	1	Cushion-Grey	18	132-1188	1	Yoke-Cable
6:2	135-1712-03	1	Bracket-Pad, Upper	19	93-6079	1	Spacer-Nylon
6:3	135-1713-03	1	Bracket-Pad, Lower	20	3290-307	3	Pin-Cotter
6:4	98-9940	4	Screw	21	132-7582	1	Mount-Cable, Brake
7	135-1714-03	1	Bracket-Pivot, Brake	22	132-1187	1	Clamp-Cable
8	3230-22	5	Bolt-Carriage 5/16-18 X 1 Sp	23	135-0081	1	Cable-Brake, LH
9	104-8300	6	Nut-Nyloc 5/16-18 Flg	24	135-0082	1	Cable-Brake, RH
10	126-5989	1	Pivot-Flange	25	283-75	2	Pin-Clevis 5/16 X 3/4
				26	3256-23	2	Washer-5/16 SAE

● Not serviced separately

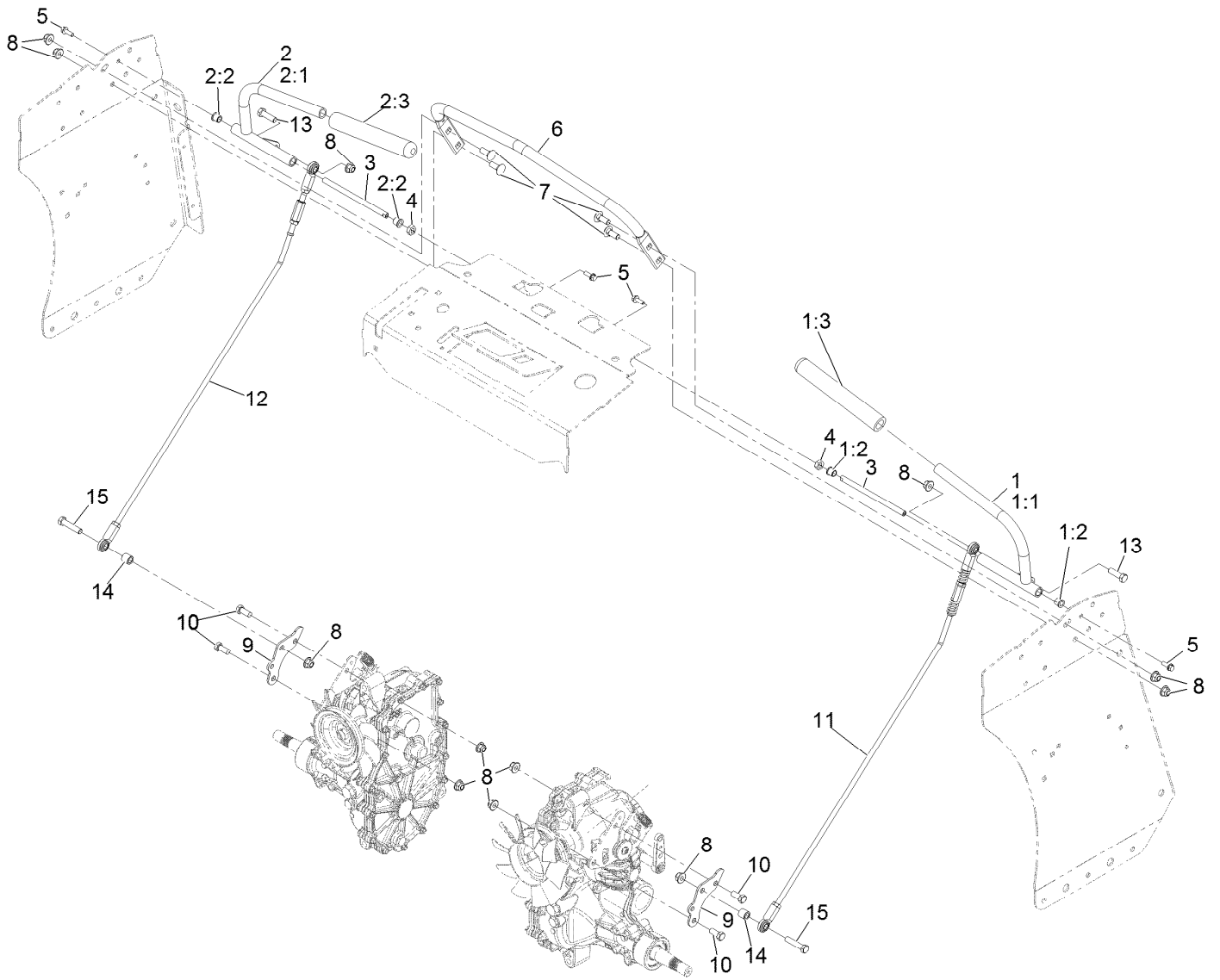
# Tower Assembly w/Decals



## Tower Assembly w/Decals (continued)

<i>Ref.</i>	<i>Part Number</i>	<i>Qty.</i>	<i>Description</i>	<i>Ref.</i>	<i>Part Number</i>	<i>Qty.</i>	<i>Description</i>
2	32148-7	8	Nut-Insert	6	135-2013	1	Decal-Panel, Control
4	135-3685	1	Decal-Aid, Service	7	135-2016	1	Decal-Control, Tine
5	126-6877	3	Decal, Exmark Logo				

# Motion Control Assembly

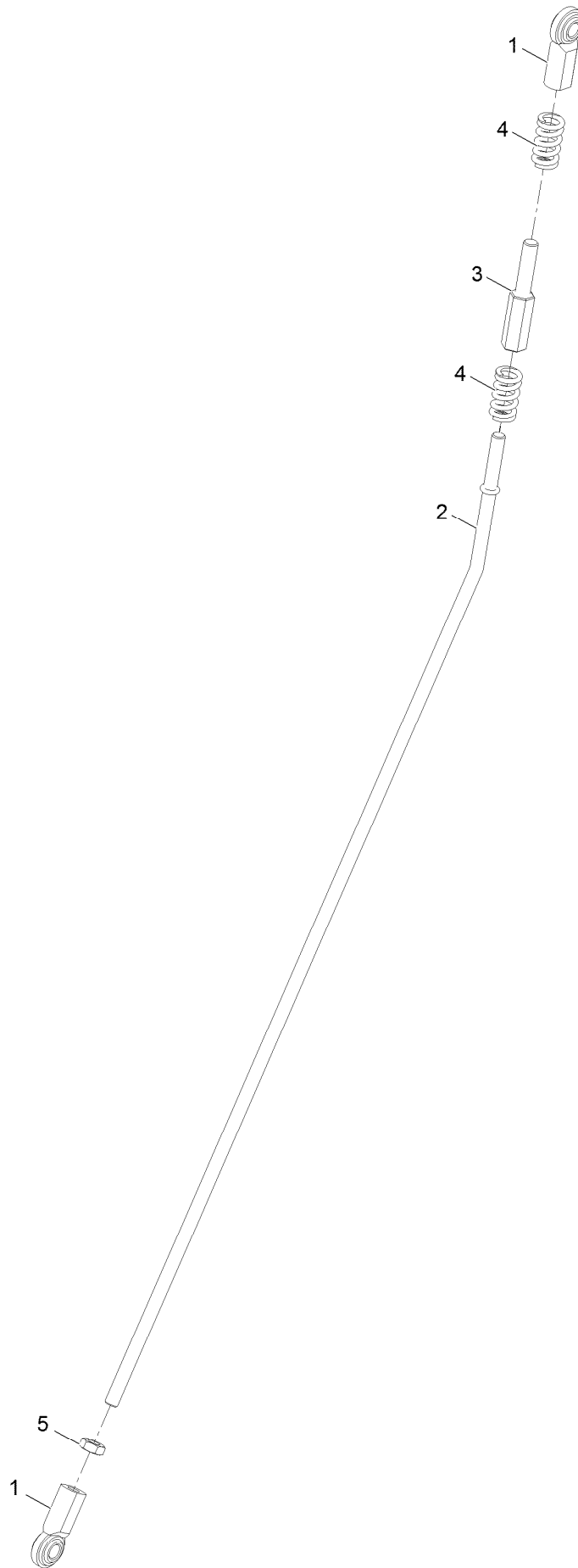


## Motion Control Assembly (continued)

<i>Ref.</i>	<i>Part Number</i>	<i>Qty.</i>	<i>Description</i>	<i>Ref.</i>	<i>Part Number</i>	<i>Qty.</i>	<i>Description</i>
1		1	LH Motion Handle ASM ●	6	135-1557-03	1	Bar, Reference
1:1	135-1575-03	1	Handle-Control, LH	7	3231-2	4	Bolt-Carriage 3/8-16 X 1
1:2	103-9928	2	Bearing	8	104-8301	12	Nut-Nyloc 3/8-16 Flg
1:3	103-8153	1	Grip-Lever, Control	9	135-0305	2	Arm-Motion
2		1	RH Motion Handle ASM ●	10	323-5	4	Screw-HH 3/8-16 X 7/8
2:1	135-1576-03	1	Handle-Control, RH	11		1	LH Motion Linkage ASM ●
2:2	103-9928	2	Bearing	12		1	RH Motion Linkage ASM ●
2:3	103-8153	1	Grip-Lever, Control	13	323-7	2	Screw-HH 3/8-16 X 1 1/4
3	116-4978	2	Shaft-Pivot, Motion Control	14	126-9682	2	Spacer
4	116-4198	2	Spacer-Shaft, Drive Lever	15	323-9	2	Screw-HH 3/8-16 X 1 3/4
5	117-8304	4	Screw-Hex Flange 1/4-20 X 3/4				

● Not serviced separately

# LH Motion Control Linkage Assembly

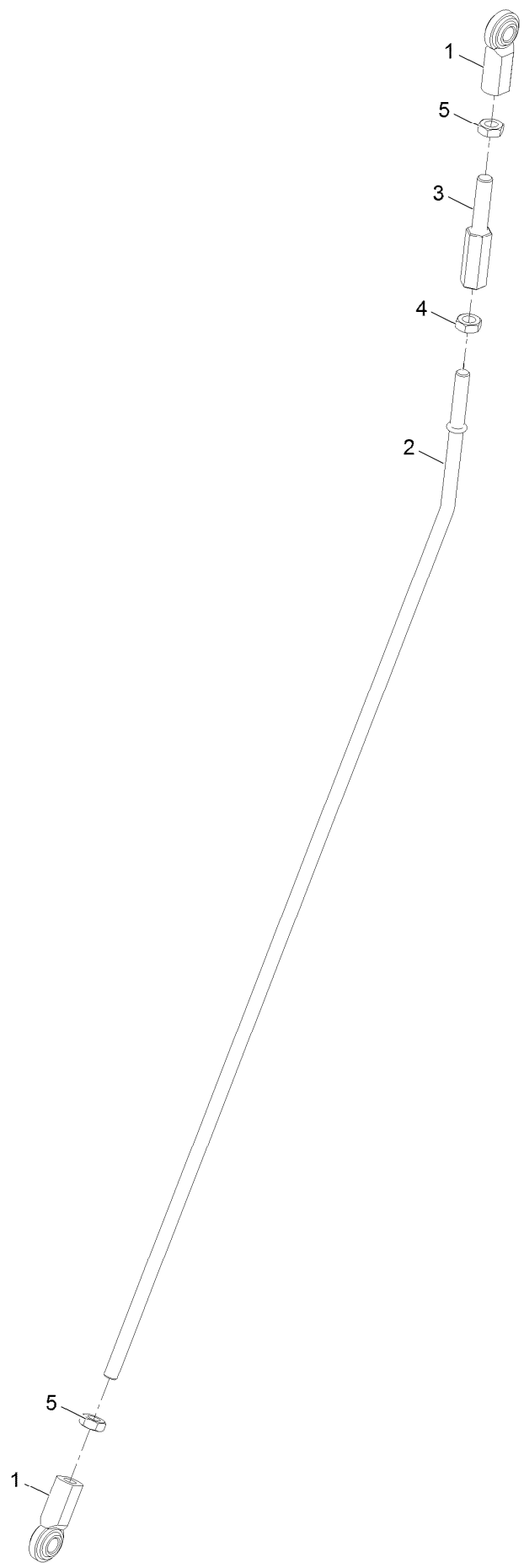




## LH Motion Control Linkage Assembly (continued)

<i>Ref.</i>	<i>Part Number</i>	<i>Qty.</i>	<i>Description</i>	<i>Ref.</i>	<i>Part Number</i>	<i>Qty.</i>	<i>Description</i>
1	103-0608	2	Balljoint	4	116-7560	2	Spring-Compression
2	135-1579	1	Linkage-Motion	5	3220-3	1	Nut-Jam 3/8-24
3	116-4755	1	Rod-Adjustment				

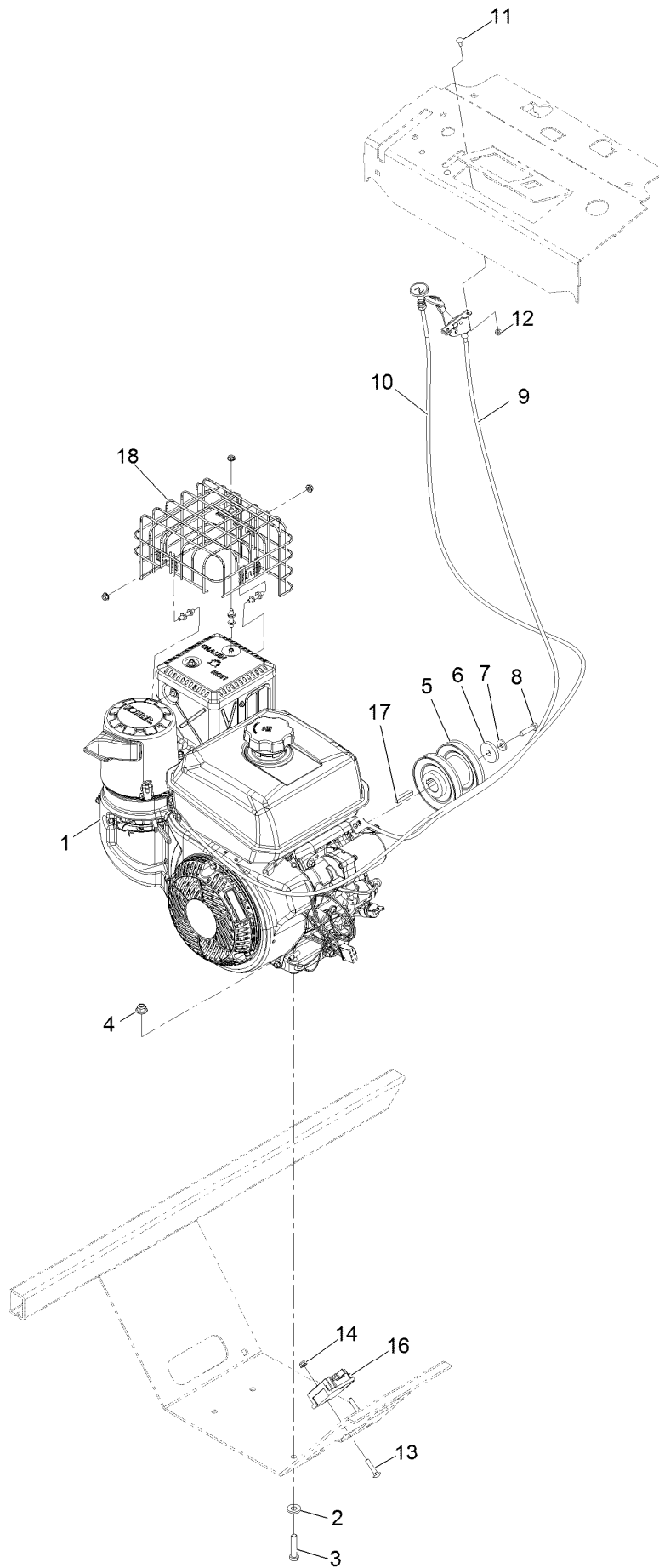
# RH Motion Control Linkage Assembly



## RH Motion Control Linkage Assembly (continued)

<i>Ref.</i>	<i>Part Number</i>	<i>Qty.</i>	<i>Description</i>	<i>Ref.</i>	<i>Part Number</i>	<i>Qty.</i>	<i>Description</i>
1	103-0608	2	Balljoint	4	3220-16	1	Nut-Jam 3/8-24 LH
2	135-1579	1	Linkage-Motion	5	3220-3	2	Nut-Jam 3/8-24
3	116-4755	1	Rod-Adjustment				

# Engine Assembly



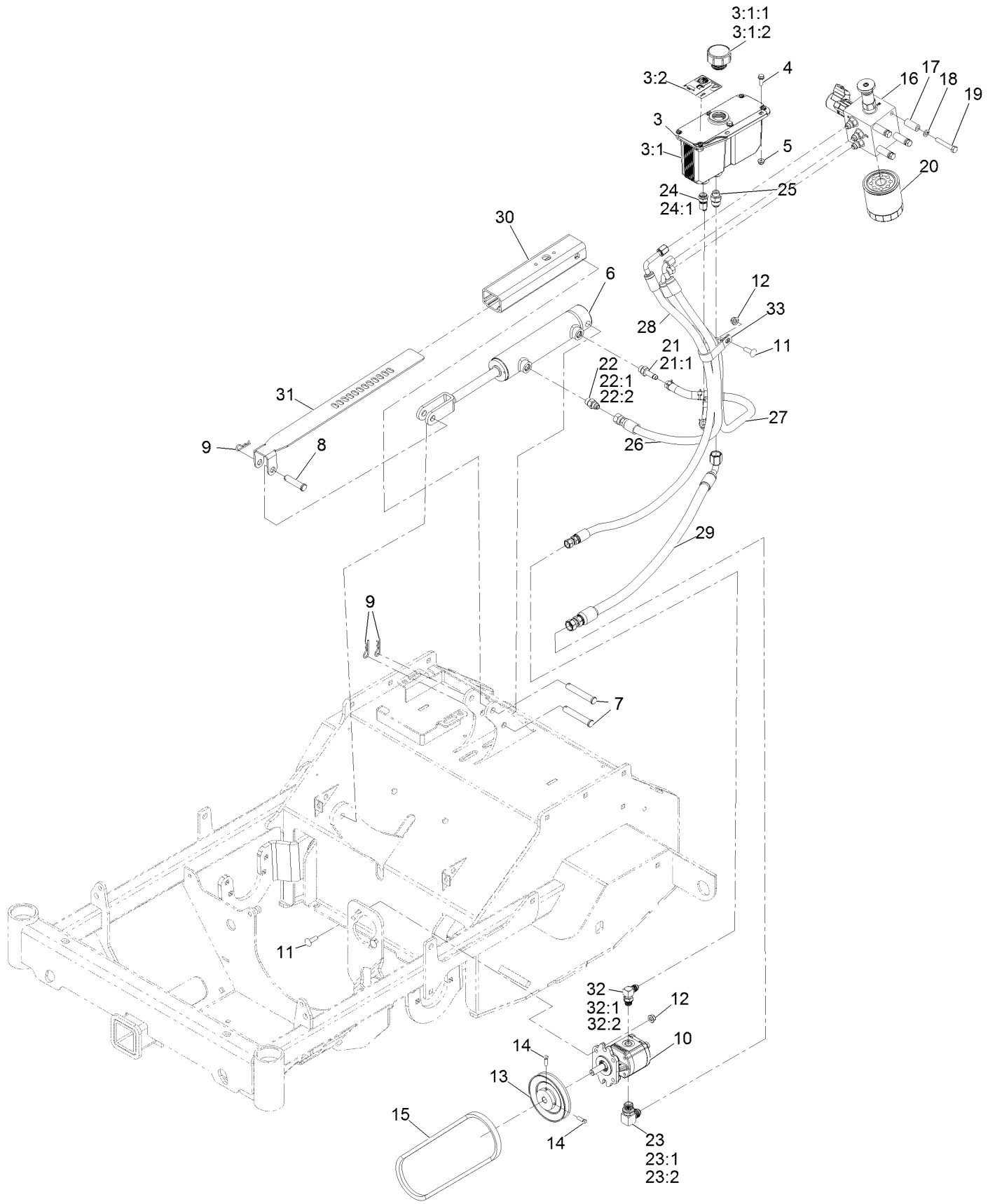
## Engine Assembly (continued)

<i>Ref.</i>	<i>Part Number</i>	<i>Qty.</i>	<i>Description</i>	<i>Ref.</i>	<i>Part Number</i>	<i>Qty.</i>	<i>Description</i>
1		1	Engine-Kohler, Ch440 ●■	10	135-2133	1	Cable-Choke, Push/Pull
2	98-5975	4	Washer-Spring Disc 3/8	11	1-807513	2	Bolt-Carriage #10-24 X 1/2
3	323-9	4	Screw-HH 3/8-16 X 1 3/4	12	3296-2	2	Nut-Nyloc #10-24
4	104-8301	4	Nut-Nyloc 3/8-16 Flg	13	3229-3	2	Bolt-Carriage 1/4-20 X 1 1/4
5	126-9142	1	Pulley	14	104-7201	2	Nut-Nyloc 1/4-20 Flg
6	1-543610	1	Washer	16	126-9904	1	Regulator
7	1-303334	1	Washer-Spring Disc 5/16	17	135-3980	1	Key-Square 7Mm
8	33114-030	1	Screw-HH M8-1.25 X 30Mm	18	135-3366	1	Kit-Muffler Birdcage
9	109-3958	1	Control-Throttle				

● Not serviced separately

■ Obtain parts from [www.kohlerplus.com](http://www.kohlerplus.com)

# Auxiliary Hydraulic Assembly

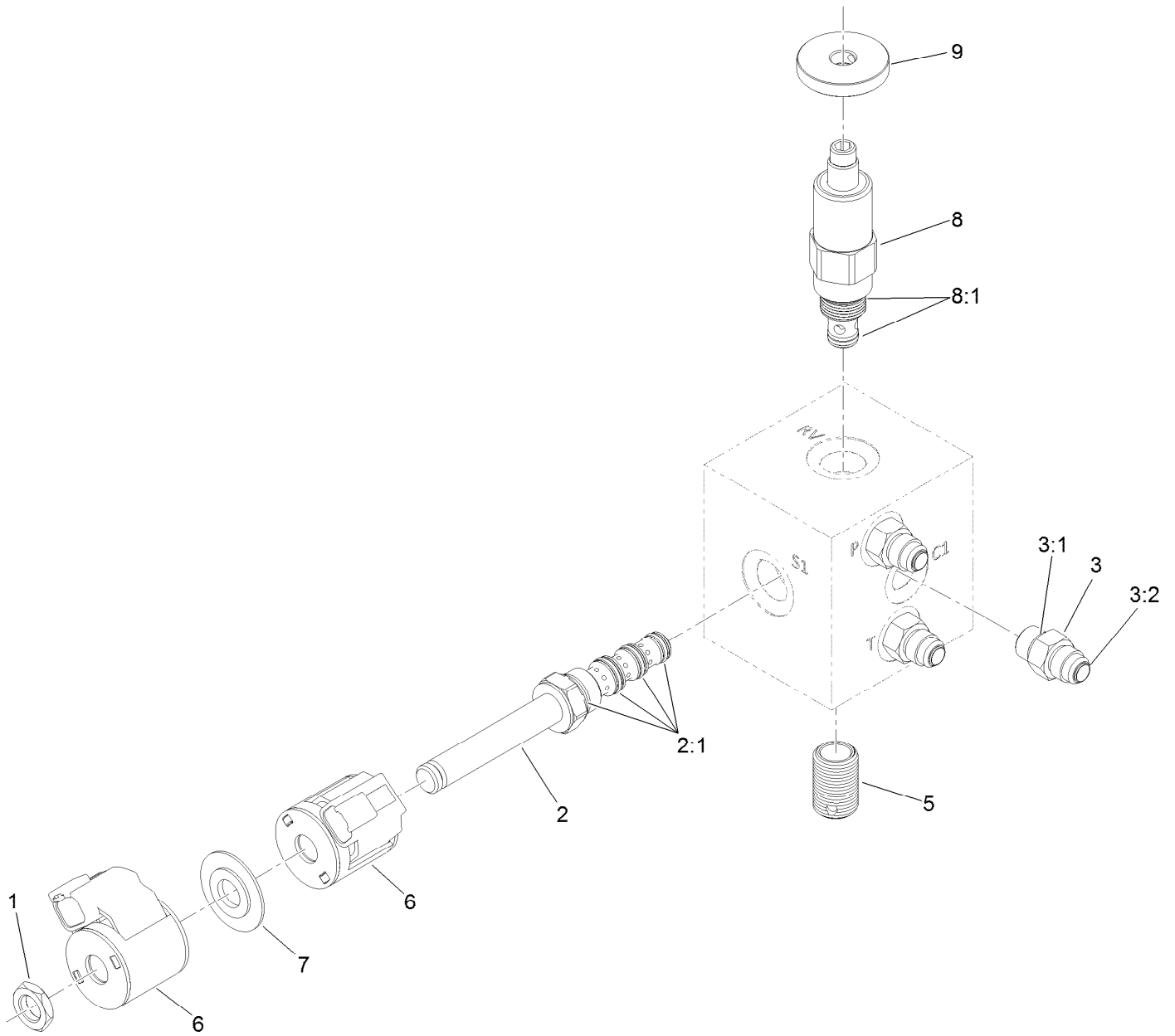


## Auxiliary Hydraulic Assembly (continued)

<i>Ref.</i>	<i>Part Number</i>	<i>Qty.</i>	<i>Description</i>	<i>Ref.</i>	<i>Part Number</i>	<i>Qty.</i>	<i>Description</i>
3	116-2066	1	Reservoir ASM	21	103-1912	1	Adapter-Straight
3:1		1	Reservoir-HYD ●	21:1	237-42	1	O-Ring
3:1:1	103-1948	1	Cap-Reservoir, HYD	22	103-2156	1	Adapter-Straight
3:1:2	103-1949	1	Gasket-Cap	22:1	1-603921	1	O-Ring-SAE #6
3:2	115-4212	1	Decal-Warning	22:2	103-1020	1	O-Ring-37 Flare #6
4	32105-15	2	Screw-Machine 1/4-20 X 3/4	23	103-2153	1	Elbow-90°
5	104-7201	2	Nut-Nyloc 1/4-20 Flg	23:1	1-603920	1	O-Ring-SAE #8
6	126-9861	1	Cylinder-Hydraulic	23:2	1-603992	1	O-Ring-37 Flare #8
7	283-55	2	Pin-Clevis	24	103-1807	1	Fitting-Barbed, 45 DEG
8	42195	1	Pin-Clevis	24:1	237-42	1	O-Ring
9	3290-467	3	Pin-Hair	25	126-9952	1	Fitting-STR
10	126-9796	1	Pump-Hydraulic	26	126-9468	1	Hydraulic Hose ASM
11	3230-22	3	Bolt-Carriage 5/16-18 X 1 Sp	27	126-9469	1	Hydraulic Hose ASM
12	104-8300	3	Nut-Nyloc 5/16-18 Flg	28	126-9470	1	Hydraulic Hose ASM
13	116-6667	1	Pulley	29	126-9471	1	Hydraulic Hose ASM
14	3241-6	2	Screw-SQH	30	135-1224	1	Housing-Depth Control
15	126-9803	1	Belt-V	31	135-1385	1	Bracket-Depth Control
16	126-9321	1	Manifold ASM	32	103-2155	1	Adapter-90°
17	103-0384	4	Spacer	32:1	1-603921	1	O-Ring-SAE #6
18	3253-4	4	Washer-Lock 5/16	32:2	103-1020	1	O-Ring-37 Flare #6
19	322-10	4	Screw-HH 5/16-18 X 2	33	2412-137	1	Clamp-R, Double
20	109-4180	1	Element, Oil Filter				

● Not serviced separately

# Manifold Assembly No. 126-9321

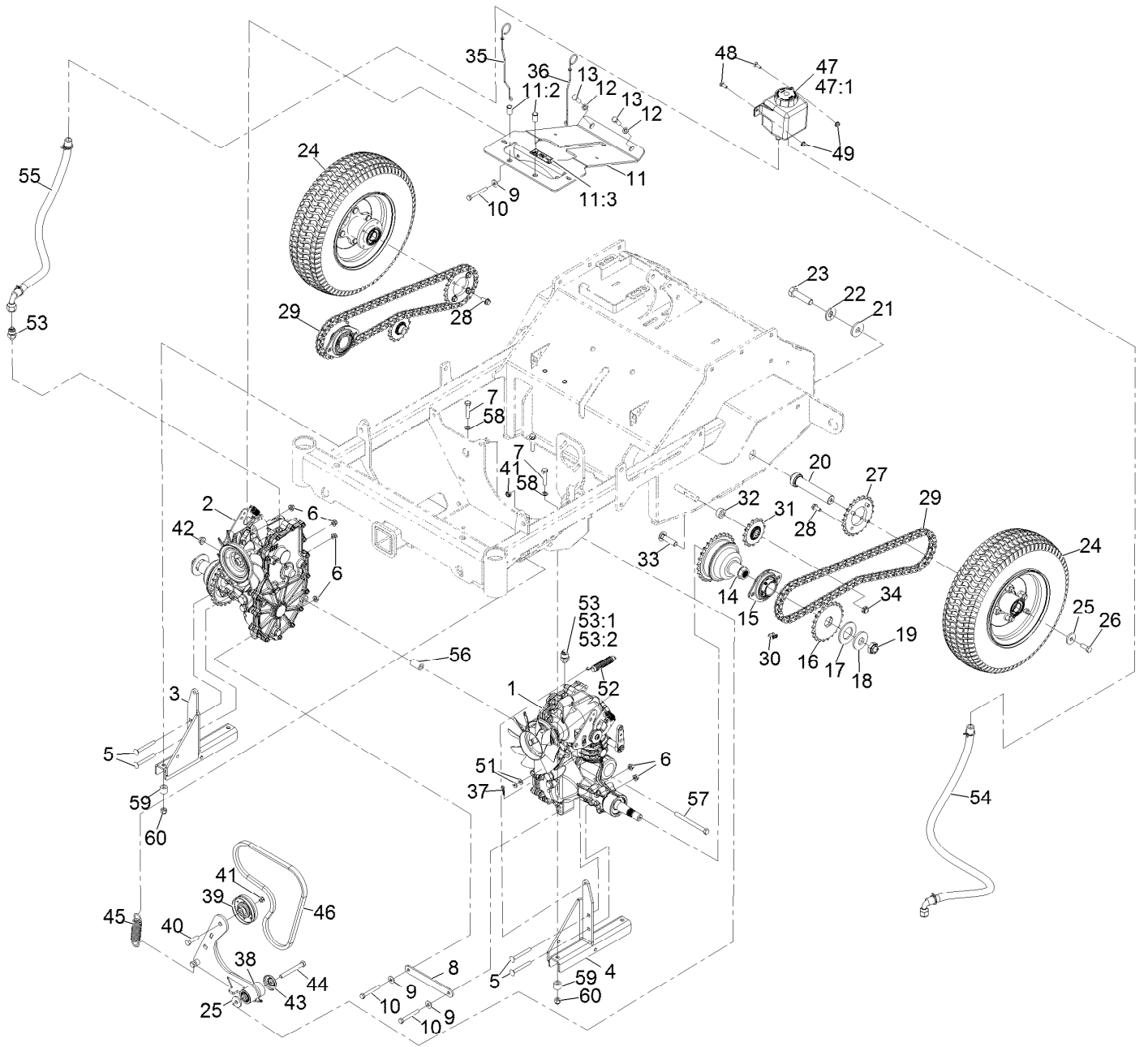




## Manifold Assembly No. 126-9321 (continued)

<i>Ref.</i>	<i>Part Number</i>	<i>Qty.</i>	<i>Description</i>	<i>Ref.</i>	<i>Part Number</i>	<i>Qty.</i>	<i>Description</i>
1	110-2634	1	Nut-Coil	5	127-3885	1	Nipple-Filter
2	126-9379	1	Valve-Solenoid	6	126-9383	2	Coil-Solenoid
2:1	112-6520	1	Seal Kit	7	120-2586	1	Spacer-Coil
3	103-2156	3	Fitting-Straight	8	135-1855	1	Valve-Relief, Poppet Type
3:1	1-603921	1	O-Ring	8:1	126-9388	1	Seal Kit
3:2	103-1020	1	O-Ring	9	116-9396	1	Knob (1.5 DIA)

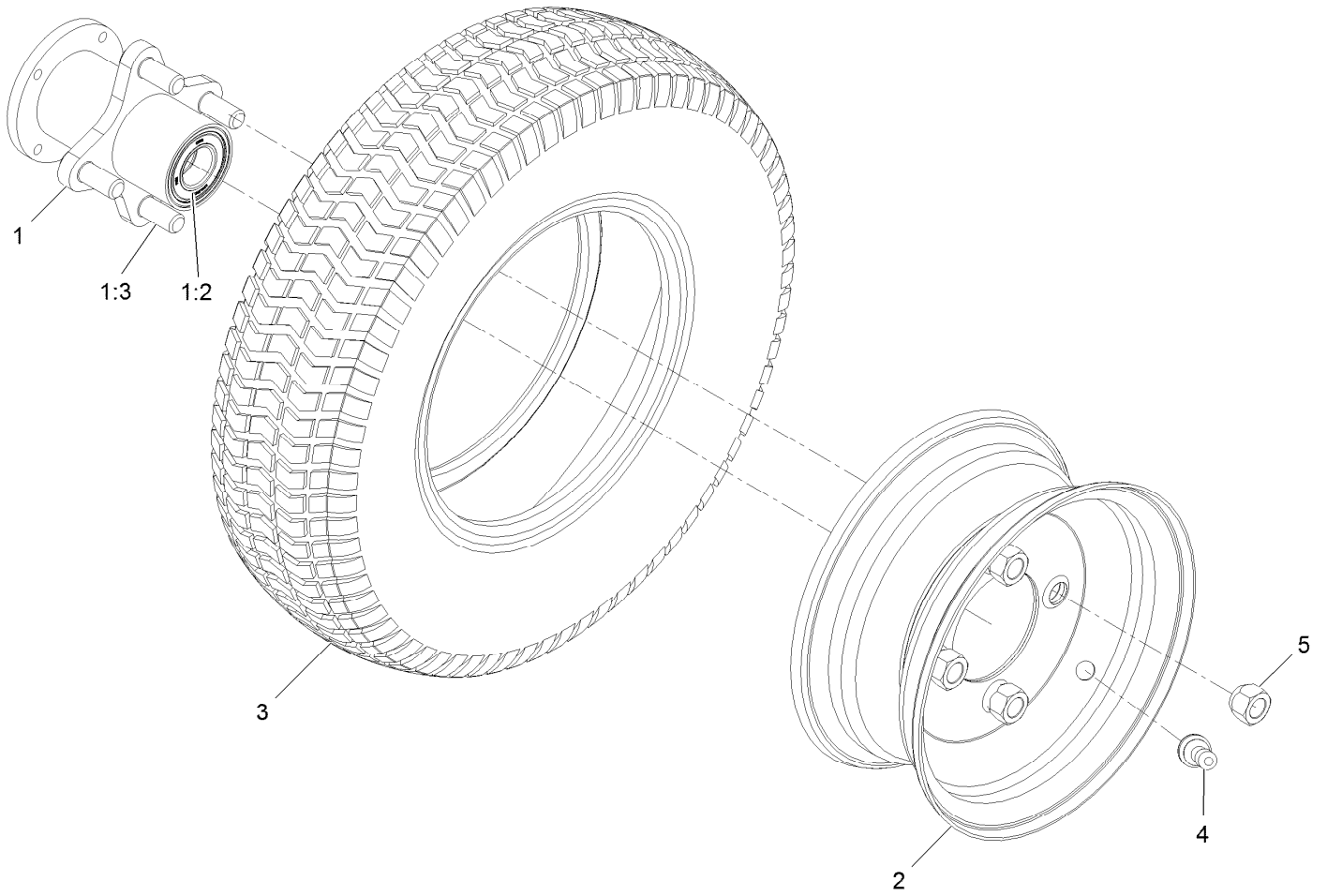
# Ground Drive Assembly



## Ground Drive Assembly (continued)

<i>Ref.</i>	<i>Part Number</i>	<i>Qty.</i>	<i>Description</i>	<i>Ref.</i>	<i>Part Number</i>	<i>Qty.</i>	<i>Description</i>
1	126-9064	1	Hydro-Zt3100, LH	31	126-9108	2	Sprocket-Idler, 15T
2	126-9065	1	Hydro-Zt3100, RH	32	126-9498	2	Spacer
3	135-2004-03	1	Mount-Hydro, RH	33	3233-4	2	Screw-CARR
4	135-2006-03	1	Mount-Hydro, LH	34	3296-45	2	Nut-Nyloc 1/2-13 Thin
5	3230-9	4	Bolt-Carriage 5/16-18 X 2 3/4	35	135-0683	1	Rod-Bypass, LH
6	104-8300	8	Nut-Nyloc 5/16-18 Flg	36	135-0685	1	Rod-Bypass, RH
7	323-52	4	Screw-HH 3/8-16 X 1 3/4	37	3290-307	2	Pin-Cotter
8	126-9092-03	1	Crossmember-Transmission	38	126-9116	1	Idler Arm ASM
9	1-303334	4	Washer-Spring Disc 5/16	39	116-9715	1	Pulley-Idler
10	132-3838	4	Screw-HH	40	323-29	1	Screw-HH 3/8-16 X 1 3/8
11	135-2497	1	Support-Cover	41	3296-59	2	Nut-Nyloc 3/8-16 Thin
11:2	32148-10	2	Insert-Nut	42	104-8301	1	Nut-Nyloc 3/8-16 Flg
11:3	121-6161	1	Decal-Danger	43	103-2916	1	Guard-Top
12	3253-21	2	Washer-Lock 3/8	44	323-20	1	Screw-HH 3/8-16 X 3-1/4
13	323-6	2	Screw-HH 3/8-16 X 1	45	1-603402	1	Spring-Extension
14	135-0537	2	Hub-Bell	46	126-9834	1	Belt-V, Cogged
15	135-1056	2	Bearing-Flanged	47	109-2250	1	Tank-HYD
16	135-0347	2	Sprocket	47:1	109-3320	1	Cap-Reservoir, HYD
17	135-0360	2	Washer-Spacer	48	3229-1	2	Bolt-Carriage 1/4-20 X 3/4
18	26-1990	2	Washer-Belleville	49	104-7201	2	Nut-Nyloc 1/4-20 Flg
19	116-2839	2	Nut-Lock	51	119-8952	4	Washer
20	135-1895	2	Axle-Wheel, Drive	52	109-7124	2	Spring-Extension
21	135-1894	2	Washer-Spacer	53	135-3138	2	Fitting-Straight
22	125-1736	2	Washer-Belleville	53:1	237-78	1	O-Ring
23	327-7	2	Screw-HH	53:2	1-603992	1	O-Ring-37 Flare #8
24	126-9044	2	Wheel And Tire ASM	54	135-0061	1	Hose ASM
25	53-6380	3	Washer-Flat	55	135-0062	1	Hose ASM
26	3235-22	2	Screw-HH, Lock	56	135-0124	1	Spacer
27	126-9075	2	Sprocket	57	323-23	1	Screw-HH 3/8-16 X 4-1/2
28	98-9940	8	Screw	58	106-5592	4	Spacer-Brake, Parking
29	135-1100	2	Chain-Roller	59	98-8895	4	Spacer
30	116-6897	2	Link-Connecting	60	112-0236	4	Nut-Lock

# Wheel and Tire Assembly

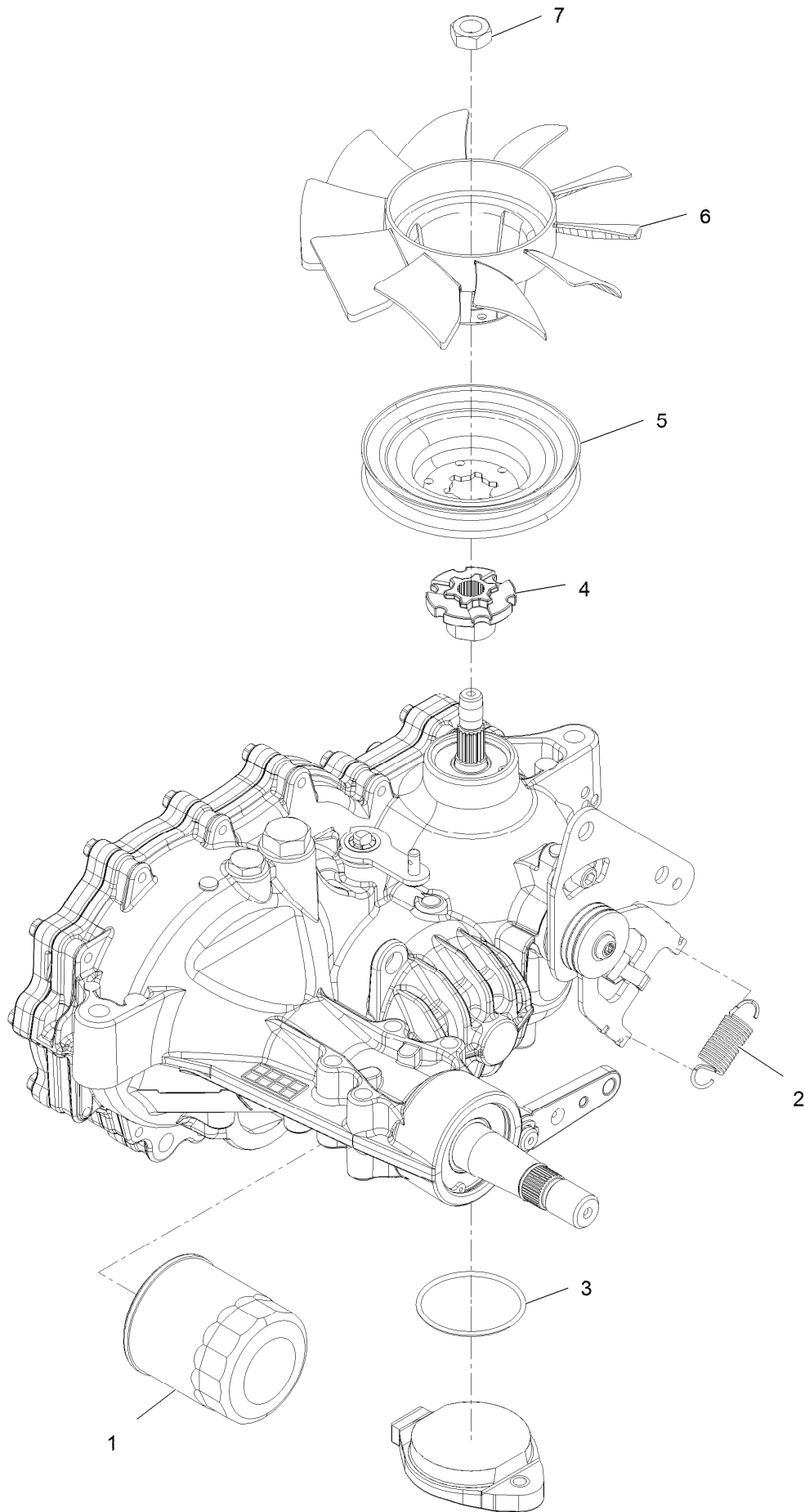


## Wheel and Tire Assembly (continued)

<i>Ref.</i>	<i>Part Number</i>	<i>Qty.</i>	<i>Description</i>	<i>Ref.</i>	<i>Part Number</i>	<i>Qty.</i>	<i>Description</i>
1		1	Wheel Hub ASM ●	3		1	Tire ●
1:2	116-0720	2	Bearing-Ball	4	232-27	1	Stem-Valve
1:3	116-1696	4	Stud-Wheel	5	242-50	4	Nut-Lug 1/2-20
2		1	Rim ●				

● Not serviced separately

# LH Transaxle Assembly

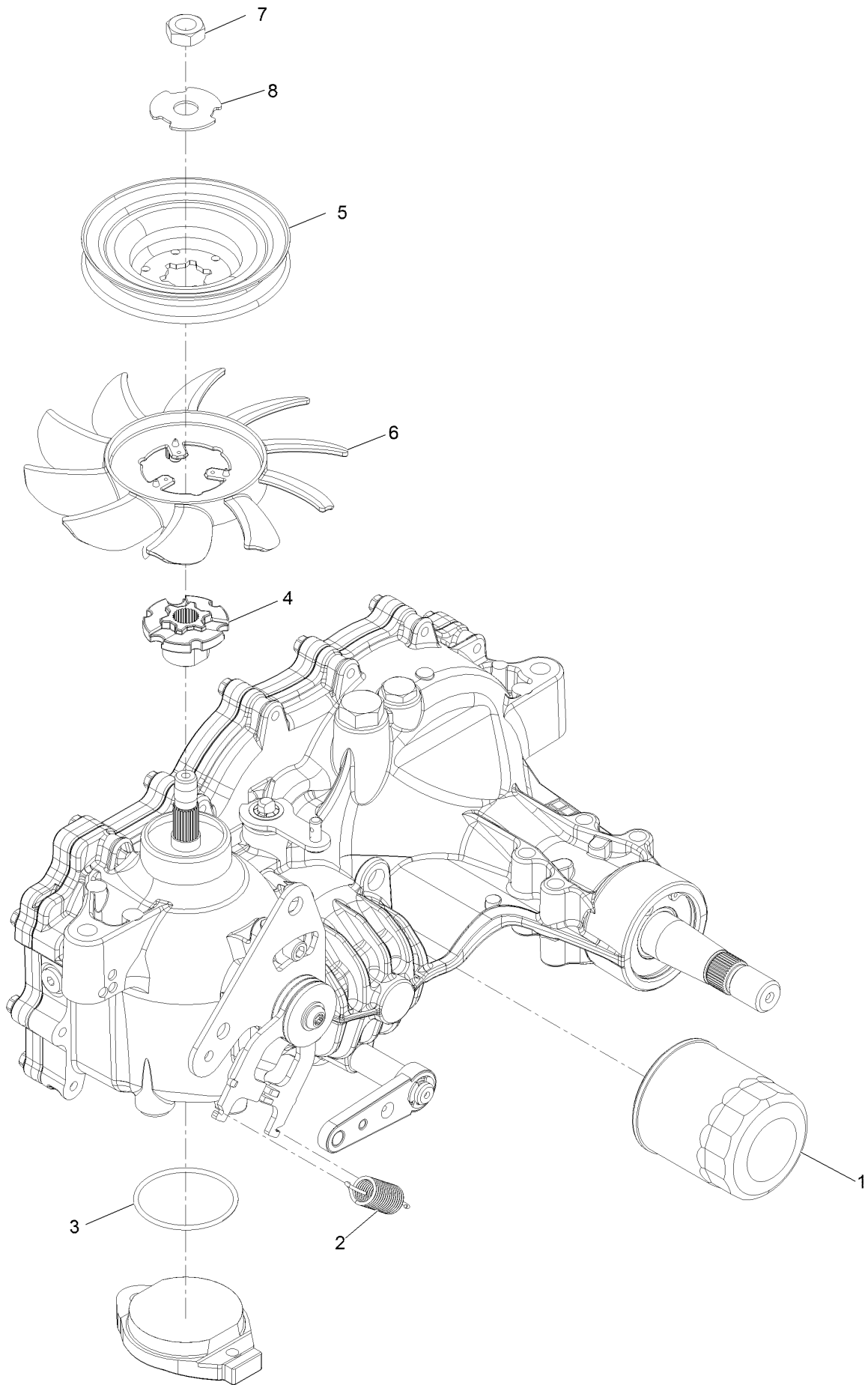


## LH Transaxle Assembly (continued)

<i>Ref.</i>	<i>Part Number</i>	<i>Qty.</i>	<i>Description</i>	<i>Ref.</i>	<i>Part Number</i>	<i>Qty.</i>	<i>Description</i>
1	109-3321	1	Filter-Hydraulic	5	116-9707	1	Pulley
2	135-3931	1	Spring-Extension Rtn-25 Lbs	6	126-0291	1	Fan-7.0 (10 Blade)
3	109-3540	1	O-Ring-Charge Seal Cover	7	116-9714	1	Nut-HJ
4	116-9705	1	Hub-Pulley	99	135-3604	1	Brake Shaft Seal Kit ●

● Not illustrated

# RH Transaxle Assembly



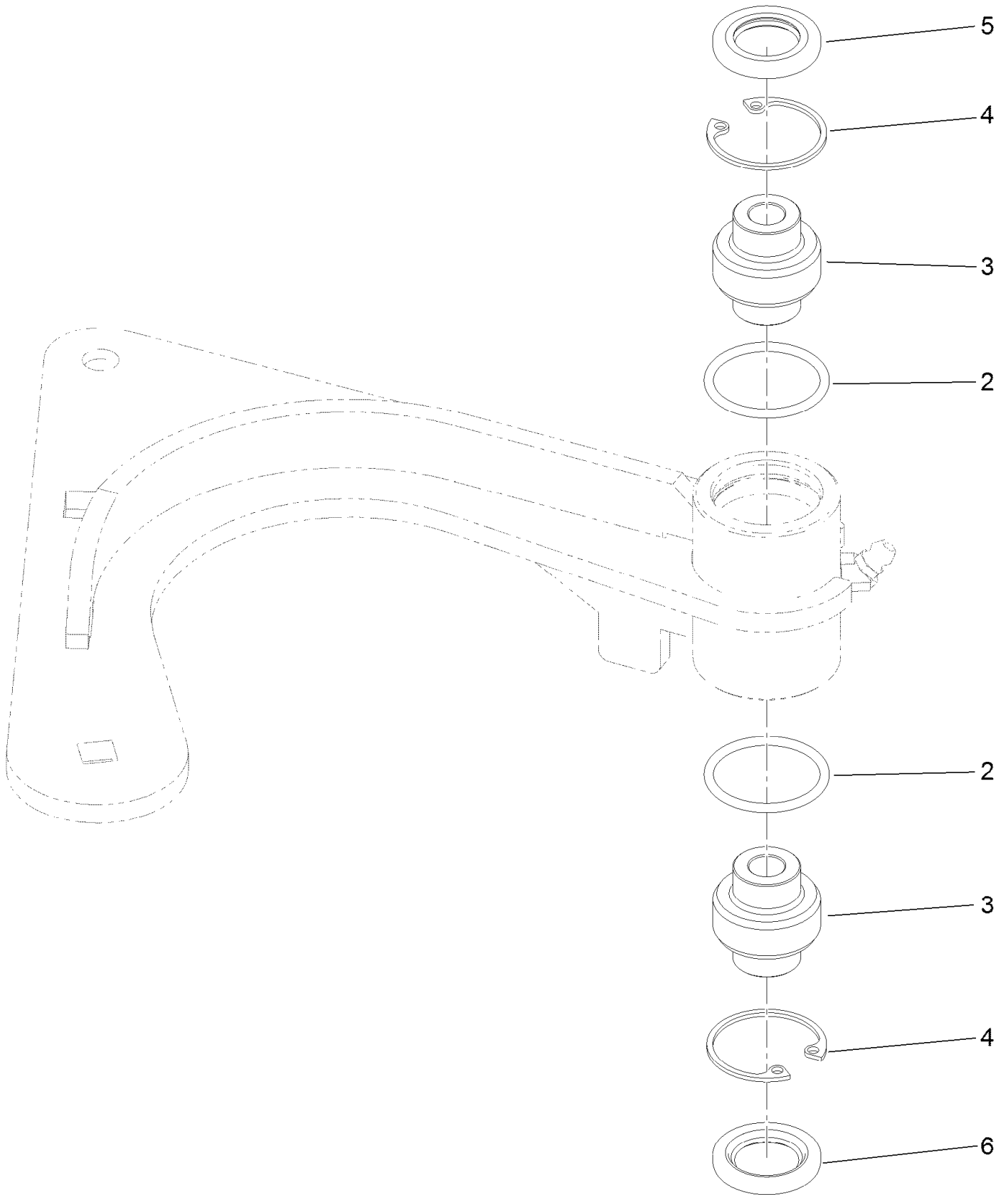


## RH Transaxle Assembly (continued)

<i>Ref.</i>	<i>Part Number</i>	<i>Qty.</i>	<i>Description</i>	<i>Ref.</i>	<i>Part Number</i>	<i>Qty.</i>	<i>Description</i>
1	109-3321	1	Filter-Hydraulic	5	116-9707	1	Pulley
2	135-3931	1	Spring-Extension Rtn-25 Lbs	6	116-9706	1	Fan
3	109-3540	1	O-Ring-Charge Seal Cover	7	116-9714	1	Nut-HJ
4	116-9705	1	Hub-Pulley	8	116-9708	1	Washer-Slotted
				99	135-3604	1	Brake Shaft Seal Kit ●

● Not illustrated

# Idler Arm Assembly No. 126-9116

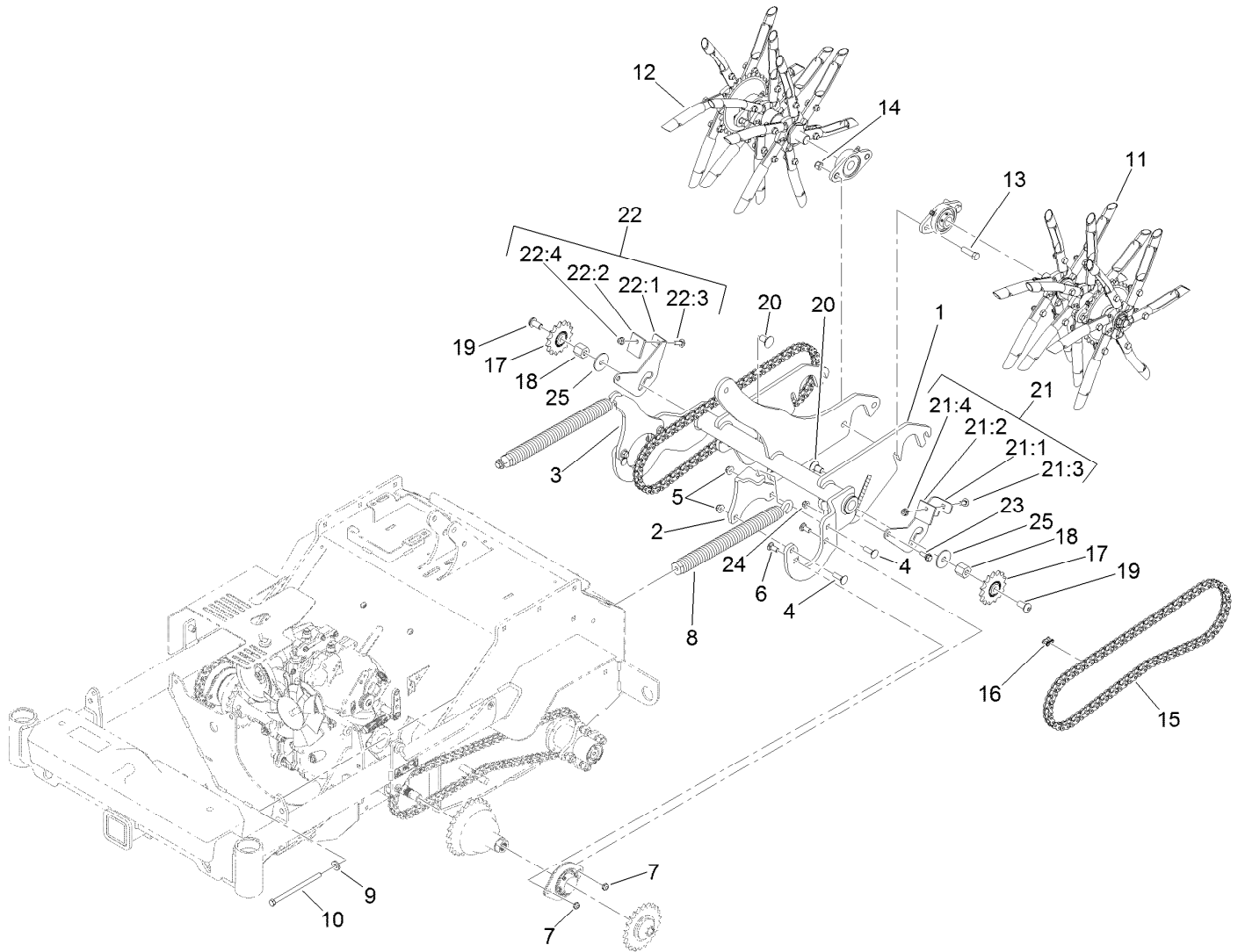


## Idler Arm Assembly No. 126-9116 (continued)

<i>Ref.</i>	<i>Part Number</i>	<i>Qty.</i>	<i>Description</i>
2	106-7159	2	O-Ring
3	103-3504	2	Bearing-Spherical
4	32120-10	2	Ring-Snap

<i>Ref.</i>	<i>Part Number</i>	<i>Qty.</i>	<i>Description</i>
5	103-3505	1	Seal-Lip, Double
6	103-3506	1	Seal-Lip, Single

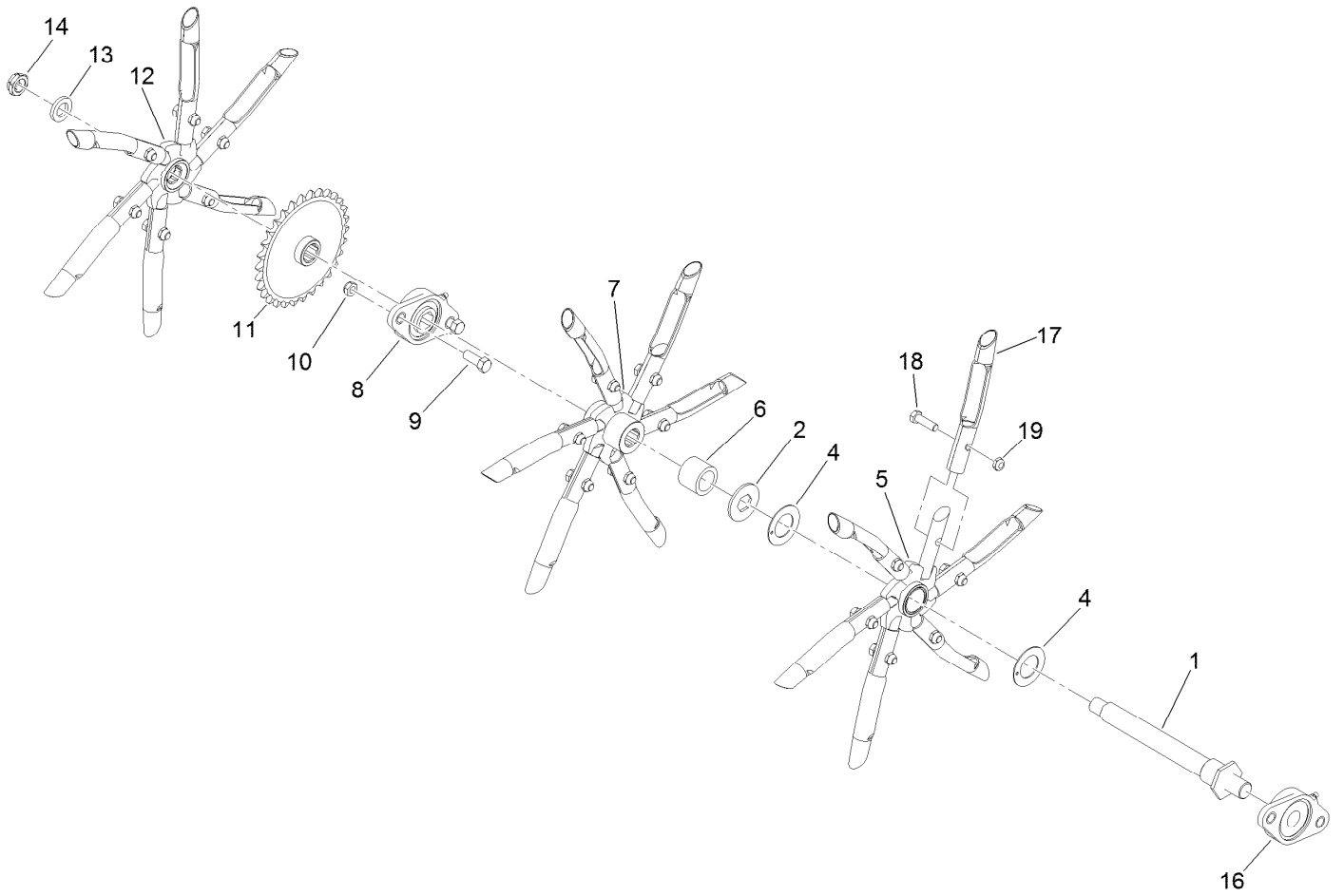
# Tine Assembly



## Tine Assembly (continued)

<i>Ref.</i>	<i>Part Number</i>	<i>Qty.</i>	<i>Description</i>	<i>Ref.</i>	<i>Part Number</i>	<i>Qty.</i>	<i>Description</i>
1	135-0810-03	1	Lift-Tine	19	99-8446	2	Screw- Pan Socket Head
2	135-1060-03	1	Arm-Spring, LH	20	3233-9	2	Screw-CARR
3	135-1061-03	1	Arm-Spring, RH	21	135-2405	1	LH Debris Deflector ASM
4	3231-25	4	Bolt-CARR	21:1	135-2325	1	Bracket-Deflector, Debris (LH)
5	104-8301	4	Nut-HF, NI	21:2	135-2403	1	Deflector-Debris
6	3231-12	4	Bolt-CARR	21:3	3230-10	1	Bolt-CARR
7	3296-59	4	Nut-Lock, NI	21:4	104-8300	1	Nut-HF, NI
8	116-0000	2	Spring-Extension	22	135-2404	1	RH Debris Deflector ASM
9	98-5975	2	Washer-Belleville	22:1	135-2406	1	Bracket-Deflector, Debris (RH)
10	323-58	2	Bolt-TAP, HH	22:2	135-2403	1	Deflector-Debris
11	126-9550	1	LH Tine Wheel ASM	22:3	3230-10	1	Bolt-CARR
12	126-9551	1	RH Tine Wheel ASM	22:4	104-8300	1	Nut-HF, NI
13	324-6	2	Screw-HH	23	27-0410	2	Screw-Shoulder
14	3296-76	2	Nut-Lock, NI	24	104-8300	2	Nut-HF, NI
15	135-1100	2	Chain-Roller	25	120-3856	2	Washer-Flat
16	116-6897	2	Link-Connecting				
17	126-9108	2	Sprocket-Idler, 15T				
18	135-2242	2	Spacer				

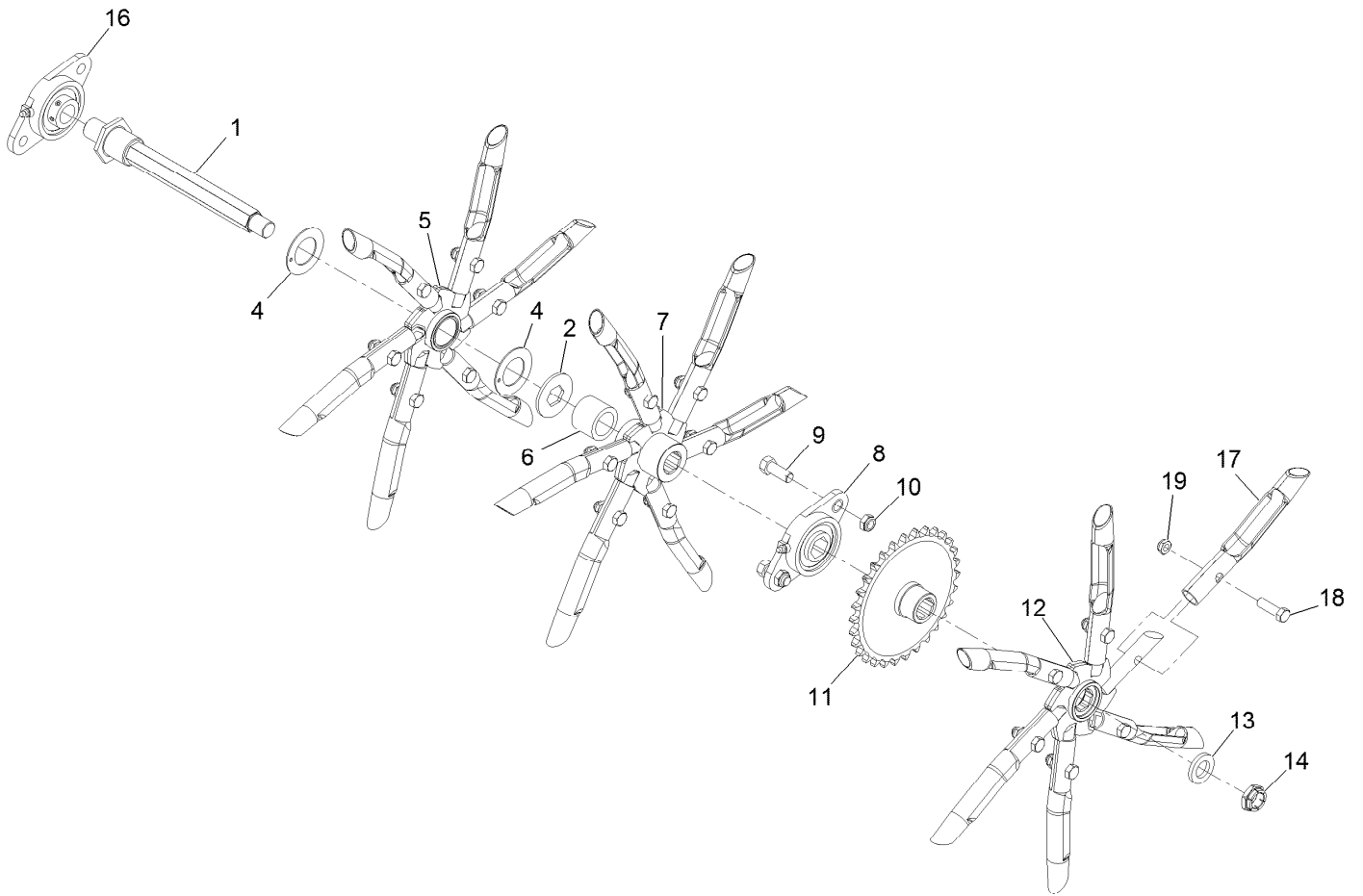
# RH Tine Wheel Assembly



## RH Tine Wheel Assembly (continued)

<i>Ref.</i>	<i>Part Number</i>	<i>Qty.</i>	<i>Description</i>	<i>Ref.</i>	<i>Part Number</i>	<i>Qty.</i>	<i>Description</i>
1	135-2980	1	Tine Shaft ASM	11	126-9624	1	Sprocket ASM
2	135-2977	1	Keeper-Tine, Floating	12	126-9630	1	Driven Spyder ASM
4	126-9619	2	Washer-Thrust	13	135-0502	1	Washer-Spacer
5	126-9540	1	Floating Spyder ASM	14	135-1528	1	Nut-Lock
6	126-9715	1	Spacer-Tine	16	126-9704	1	Bearing-Round Bore
7	126-9625	1	Driven Spyder ASM	17	126-2143	18	Tine-Coring (3/4 Inch)
8	126-9705	1	Bearing-Hex Bore	18	323-7	18	Screw-HH 3/8-16 X 1 1/4
9	126-9822	2	Screw-HH	19	3296-59	18	Nut-Nyloc 3/8-16 Thin
10	126-9780	2	Nut-Lock				

# LH Tine Wheel Assembly

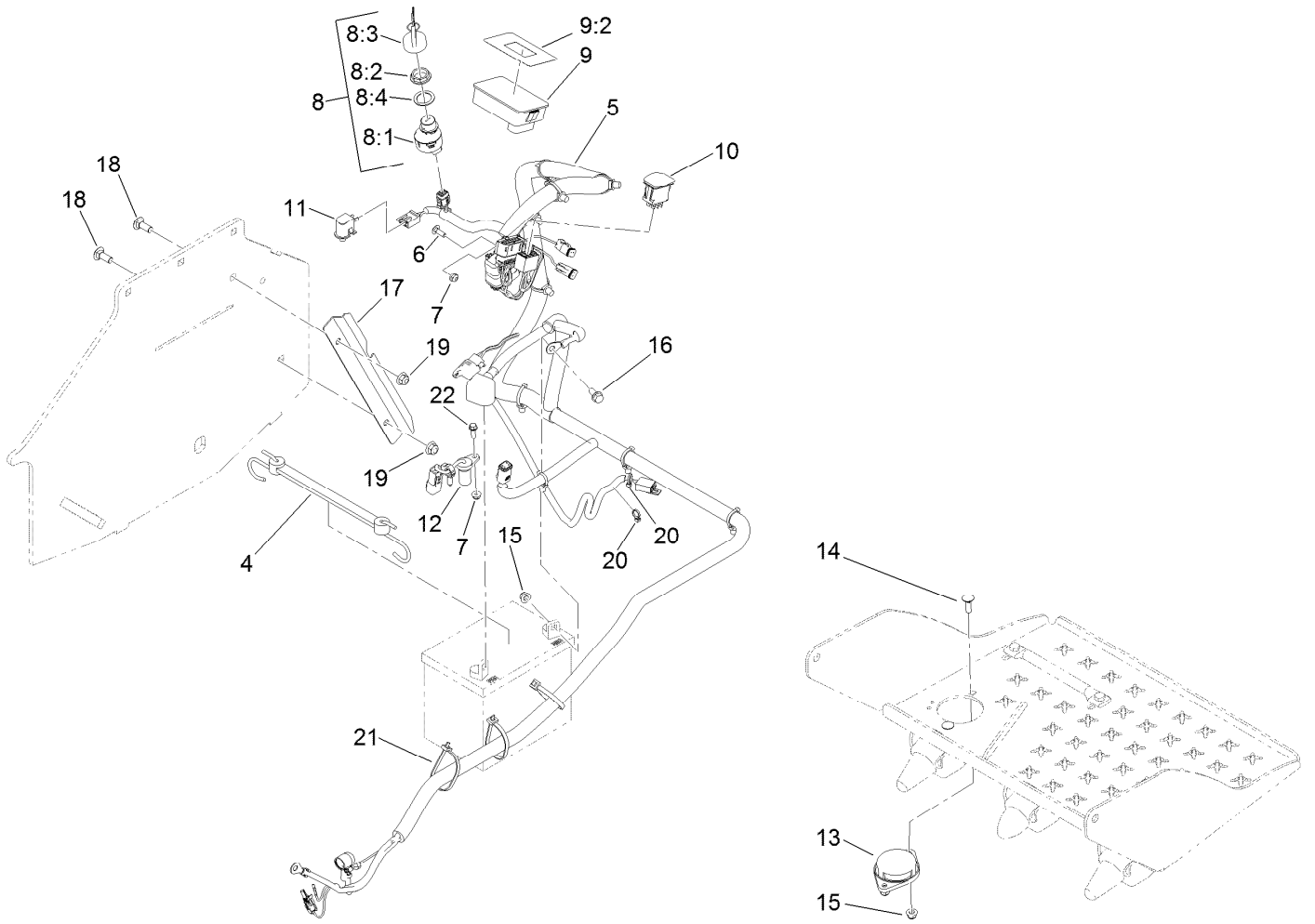




## LH Tine Wheel Assembly (continued)

<i>Ref.</i>	<i>Part Number</i>	<i>Qty.</i>	<i>Description</i>	<i>Ref.</i>	<i>Part Number</i>	<i>Qty.</i>	<i>Description</i>
1	135-2980	1	Tine Shaft ASM	11	126-9624	1	Sprocket ASM
2	135-2977	1	Keeper-Tine, Floating	12	126-9630	1	Driven Spyder ASM
4	126-9619	2	Washer-Thrust	13	135-0502	1	Washer-Spacer
5	126-9540	1	Floating Spyder ASM	14	135-1528	1	Nut-Lock
6	126-9715	1	Spacer-Tine	16	126-9704	1	Bearing-Round Bore
7	126-9625	1	Driven Spyder ASM	17	126-2143	18	Tine-Coring (3/4 Inch)
8	126-9705	1	Bearing-Hex Bore	18	323-7	18	Screw-HH 3/8-16 X 1 1/4
9	126-9822	2	Screw-HH	19	3296-59	18	Nut-Nyloc 3/8-16 Thin
10	126-9780	2	Nut-Lock				

# Electrical Assembly

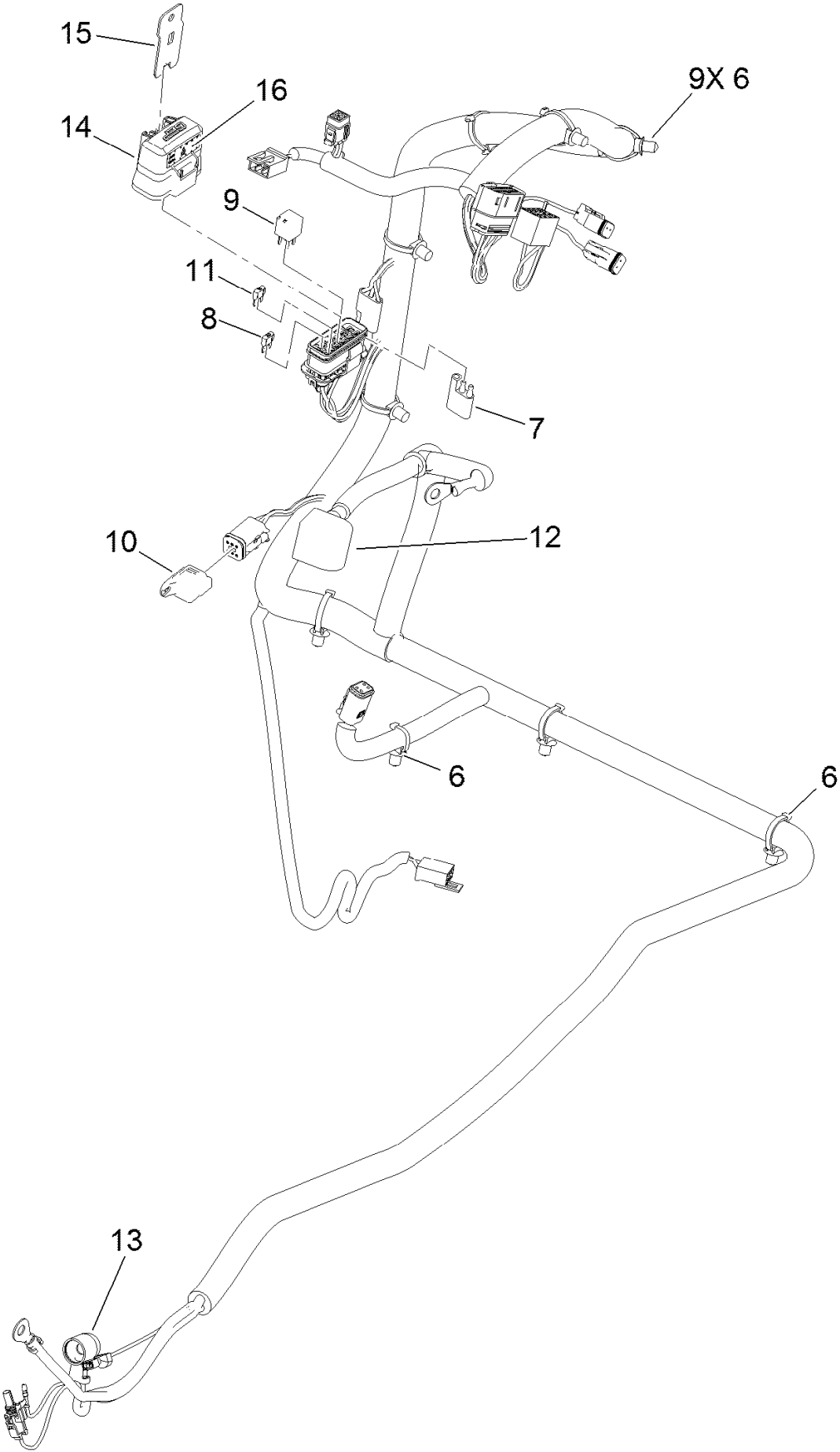


## Electrical Assembly (continued)

<i>Ref.</i>	<i>Part Number</i>	<i>Qty.</i>	<i>Description</i>	<i>Ref.</i>	<i>Part Number</i>	<i>Qty.</i>	<i>Description</i>
4	104-2466	1	Holddown-Battery	11	82-2190	1	Switch-Bail
5	126-9535	1	Harness-Wire	12	135-0101	1	Sensor-Quadrature
6	3229-1	1	Bolt-CARR	13	92-6282	1	Switch-Seat
7	104-7201	2	Nut-HF	14	3230-2	2	Bolt-CARR
8	126-6285	1	Ignition Switch ASM	15	104-8300	4	Nut-HF, NI
8:1		1	Switch-Ignition ●	16	3234-5	2	Screw-HHF
8:2	108-8660	1	Nut-Mounting	17	126-9701-03	1	Guard-Harness
8:3	106-5270	1	Ignition Key Set	18	3231-2	2	Bolt-CARR
8:4	108-8659	1	Washer-Backup	19	104-8301	2	Nut-HF, NI
9	135-2500	1	Hour Meter ASM	20	1-303287	2	Tie-Cable
9:2	135-1854	1	Decal-Meter, Hour	21	1-303335	3	Tie-Plastic
10	100-1535	1	Switch, (On)-Off-(On)	22	32105-15	1	Screw-HWH

● Not serviced separately

# Wire Harness Assembly No. 126-9535



## Wire Harness Assembly No. 126-9535 (continued)

<i>Ref.</i>	<i>Part Number</i>	<i>Qty.</i>	<i>Description</i>	<i>Ref.</i>	<i>Part Number</i>	<i>Qty.</i>	<i>Description</i>
6	32180-030	9	Clip-Tie	12	126-8876	1	Insulator-Battery
7	32180-197	1	Cap-Plug	13	1-543393	1	Insulator-Solenoid
8	121-8868	1	Fuse-Mini Blade, 20 Amp	14	32180-176	1	Cover-Block, Fuse
9	126-3991	1	Relay-Micro	15	32180-177	1	Clip-Mounting
10	32180-156	1	Cap-Plug, 6 Way	16	126-7875	1	Decal-Fuse
11	121-8867	1	Fuse-Mini Blade, 15 Amp				

**Notes:**



# MAXIMIZE THE PERFORMANCE OF YOUR EXMARK MACHINE.



## EXMARK® PREMIUM ENGINE OIL

Exmark now offers a family of engine oil viscosities to perform well in any environment. Each viscosity has the same synthetic formulation to give you what you need in punishing conditions. We designed each grade to the highest quality, making it ideal even for diesel applications. Coupled with Exmark Premium Fuel Treatment, we have the performance products to make your machine hum.

### EXMARK PREMIUM ENGINE OIL SAE 30/10W-30

- Meets zero shear requirements of a straight grade SAE 30 as well as the cold temp properties of a 10W-30.
- Most versatile oil in the industry.
- Superior corrosion protection over conventional oil - even in corrosive, humid environments.

### EXMARK PREMIUM ENGINE OIL SAE 20W-50

- Perfect for your big block engine, or any application in severe service.
- Same full synthetic formulation as all other Exmark Premium viscosities.
- Also effective for use in severe service small block engines.

### EXMARK PREMIUM ENGINE OIL SAE 10W-50

- Full synthetic formulation gives you peak performance. Don't settle for less.
- Wide span multi-grade combines easy starting in cold weather with maximum protection in high temperature operation.
- Reduce friction & wear over standard mineral formulations.

### EXMARK PREMIUM ENGINE OIL SAE 0W-40

- The perfect choice for when the weather turns cold or unpredictable, and your Exmark UTV has to perform.
- Commercial quality for severe service.
- Advanced additive package helps prevent corrosion from long-term storage.

### EXMARK PREMIUM ENGINE OIL UTV FORMULATION

- 4-cycle high-temp formulation.
- Heavier viscosity, full synthetic, perfect for your UTV.

### EXMARK PREMIUM UTV EXTREME CONDITIONS GEAR OIL

- SAE 80W-90, designed to keep your UTV performing at its peak.
- Shear stable, hypoid gear lube.
- Includes a premium additive system to combat wear, oxidation, rust & corrosion.

*Available from your local Exmark dealer. Find your closest dealer at [exmark.com](http://exmark.com)*

## EXMARK ACCESSORIES AND OPTIONS\*

### MID-MOUNT RIDING ACCESSORIES AND OPTIONS

CUSTOM RIDE SEAT SUSPENSION SYSTEM	OPERATOR CONTROLLED DISCHARGE
FULL SUSPENSION SEAT	SUN SHADE
DECK LIFT ASSIST KIT	TRASH CONTAINER
HITCH KIT	TURF STRIPER
LIGHT KIT	ULTRA VAC COLLECTION SYSTEM
12V POWER PORT	ULTRA VAC QUICK DISPOSAL SYSTEM
MICRO-MULCH SYSTEM	

### OUT-FRONT RIDING ACCESSORIES AND OPTIONS

CUSTOM RIDE SEAT SUSPENSION SYSTEM	SNOW BLADE
DUAL-TAIL WHEEL	SNOWBLOWER
FLOOR PAN EXTENDER	SUN SHADE
HITCH KIT	TRASH CONTAINER
LIGHT KIT	ULTRA VAC COLLECTION SYSTEM
MICRO-MULCH SYSTEM	ULTRA VAC QUICK DISPOSAL SYSTEM
ROLL OVER PROTECTION SYSTEM (ROPS)	WEATHER CAB

### WALK-BEHIND ACCESSORIES AND OPTIONS

GRASS CATCHER	TURF STRIPER
MICRO-MULCH SYSTEM	STANDON

\*Some accessories and options not available for some models.

Place Model No. and Serial No.  
Label Here (Included in the Literature  
Pack) or Fill in Below

Model No. \_\_\_\_\_

Serial No. \_\_\_\_\_

Date Purchased \_\_\_\_\_

Engine Model No. and Spec. No. \_\_\_\_\_

Engine Serial No. (E/No) \_\_\_\_\_

© 2018 Exmark Mfg. Co., Inc.  
2101 Ashland Ave  
Beatrice, NE 68310  
All Rights Reserved

Part No. 4503-892 Rev. A  
(402) 223-6375  
Fax (402) 223-5489  
Printed in the USA.

