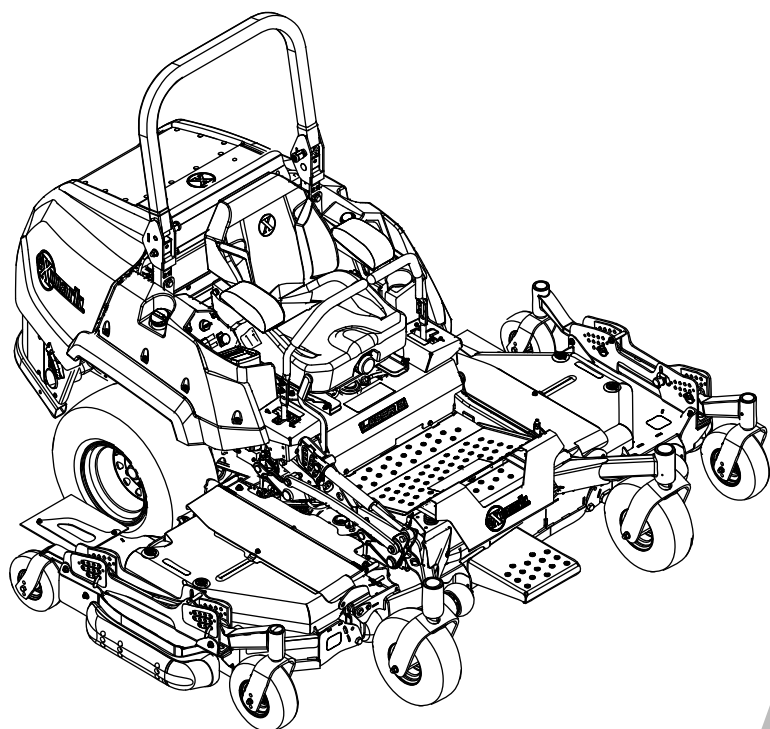




LAZER Z[®] DIESEL

Model No. LZS88CDYM96RW0—Serial No. 402082300 and Up

Picture below may not reflect actual product.



Parts Manual

Part No. 4503-841 Rev. B

Ordering Replacement Parts

To order replacement parts, please supply the part number, the quantity, and the description of each part desired.

Understanding Reference Numbers

Each identified part in an illustration has a reference number. The reference number for a part also appears in the parts list, along with other information about the part.

This catalog uses two special reference number formats, one to indicate parts in a service assembly and another to indicate the quantity of a given part in an illustration.

Service Assembly Reference Numbers

Parts in service assemblies have reference numbers in the form a:b. The a represents the reference number of the entire service assembly and the b represents a sequential number unique to each part within the service assembly.

For example, a wheel assembly might be identified by reference number 6, the tire by 6:1, the valve by 6:2, and the wheel by 6:3. When you order the assembly identified by reference number 6, you receive all parts identified by reference numbers 6:1, 6:2, and 6:3. However, you may also order any part individually. Reference numbers of this type appear in illustration and in parts lists.

Reference Numbers Indicating Quantity

In an illustration, if a reference number indicates more than one part, the reference number has the form nX y. The n represents the quantity of the part, the X is the multiplication symbol, and the y represents the reference number.

For example, in an illustration, the reference number 2X 37 means that two of the parts identified by reference number 37 are indicated.

Touch Up Paint

Exmark black touch up spray paint – gloss black.

Exmark red touch up paint (spray paint – P/N 1-850337 - .6 oz liquid bottle – P/N 103-9140).



If your Exmark dealer does not have the Exmark part in stock, Exmark will get the parts to the dealer the next business day or the part will be FREE Guaranteed!! (Some restrictions apply. See your participating Exmark Dealer for details.)

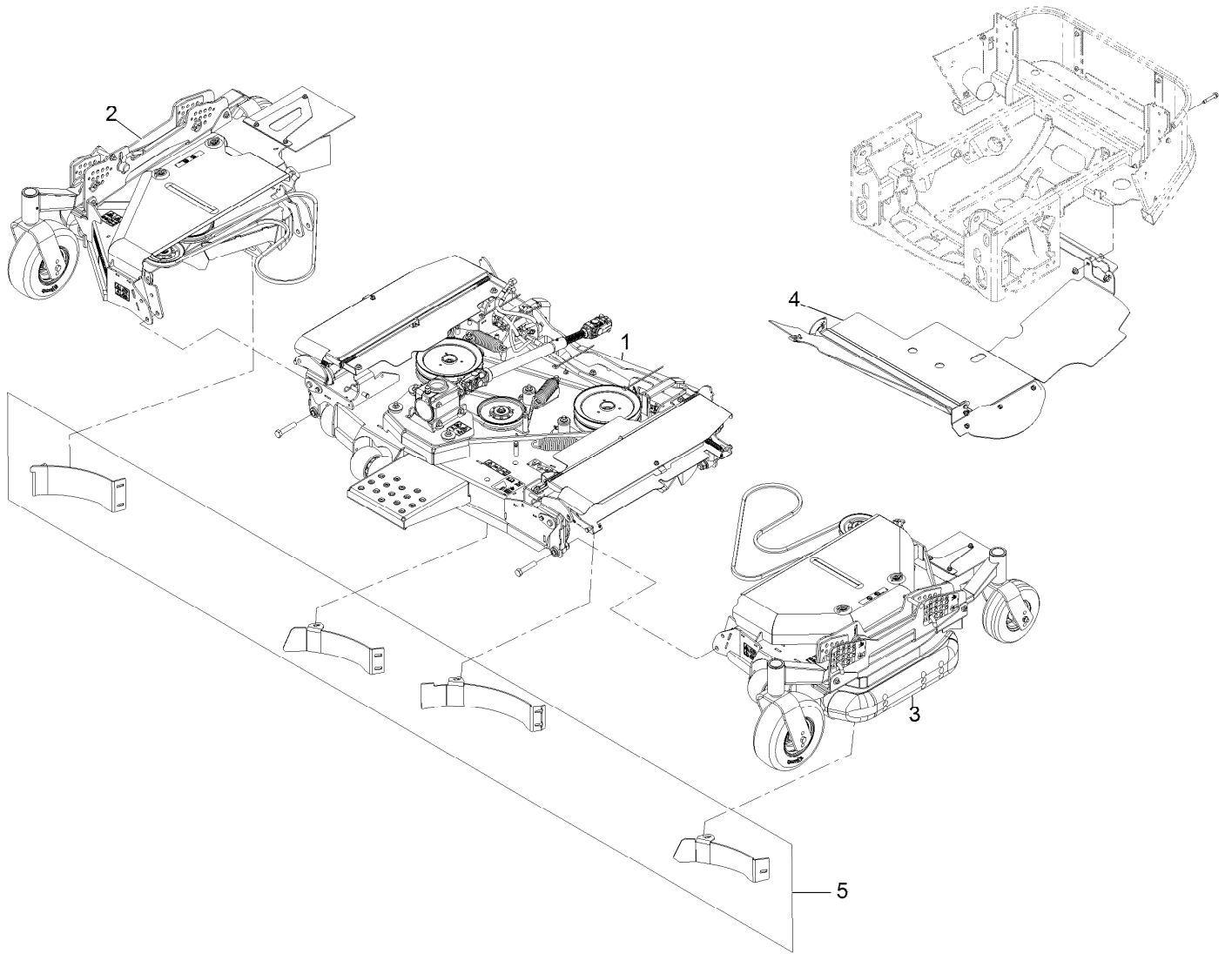
Contents

Complete Deck Assembly (Gearbox Asm Not Included)	6
Deck Assembly W/Gearbox	8
Driveshaft Assembly No. 110-3575	10
Gearbox and Mount Assembly	12
Gearbox Assembly No. 130-8659	14
Center Deck Idler Assembly	16
Idler Arm Assembly No. 126-2585	18
Idler Assembly No. 126-9435	20
Idler Assembly No. 126-9438	22
Center Deck W/Decals Assembly	24
Folding Deck Hydraulic Assembly	26
Center Deck Guard Assembly	28
Center Deck Spindle, Blade and Baffle Assembly	30
Front LH and RH Caster Fork and Tire Assembly	32
LH Wing Deck Assembly	34
LH Wing Deck W/Decals Assembly	36
LH Deck Rear Caster Wheel and Fork Assembly	38
RH Wing Deck Assembly	40
RH Wing Deck W/Decals Assembly	42
Deck Lift Assembly	44
Wing Deck Hydraulic Lift Assembly	46
Manifold Assembly	48
Discharge Tunnel Assembly	50
Mulch Kit Assembly	52
Caster Tire Assembly	54
Power Frame Assembly	56
Frame Assembly	58
Roll-Over Protection System Assembly	60
Motion Control Assembly	62
Rod Linkage Assembly	64
Parking Brake Assembly	66
Rear Wheel Assembly	68
Caster Wheel and Fork Assembly	70
Fuel Assembly	72
LH Fuel Tank Assembly	74
RH Fuel Tank Assembly	76
Seat Assembly	78
Seat Assembly (cont.)	80
Hood and Console Assembly	82
Hood Assembly (cont.)	84
Cooling Assembly	86
Cooling Assembly No. 121-3330	88
Engine Assembly	90
Air Cleaner Assembly	92

Contents (continued)

Cylinder Block Assembly	94
Gear Housing Assembly	96
Flywheel Housing and Oil Sump Assembly	98
Cylinder Head and Cover Assembly	100
Suction Manifold Assembly	102
Exhaust Manifold Assembly	104
Diesel Particulate Filter Assembly	106
Camshaft and Driving Gear Assembly	108
Crankshaft and Piston Assembly	110
Oil Pump Assembly	112
Cooling Water System Assembly	114
Fuel Supply Pump Assembly	116
Fuel Injection Valve Assembly	118
Fuel Line Assembly	120
Starting Motor Assembly	122
Generator Assembly	124
Electronic Control Unit Assembly	126
Electric Parts Assembly	128
Fuel Pump Assembly	130
Gasket Set	132
Transmission Assembly	134
Hydraulic Gear Pump Assembly	136
Transmission Assembly (cont.) Charge Pump Housing Assembly	138
Transmission Assembly (cont.) Center Section Assembly	140
Transmission Assembly (cont.) Gear Case and Clutch Assembly	142
Hydraulic Drive Assembly	144
Hydraulic Assembly	146
Hydraulic Reservoir Assembly	148
Electrical Assembly	150
Wire Harness Assembly	152

Complete Deck Assembly (Gearbox Asm Not Included)

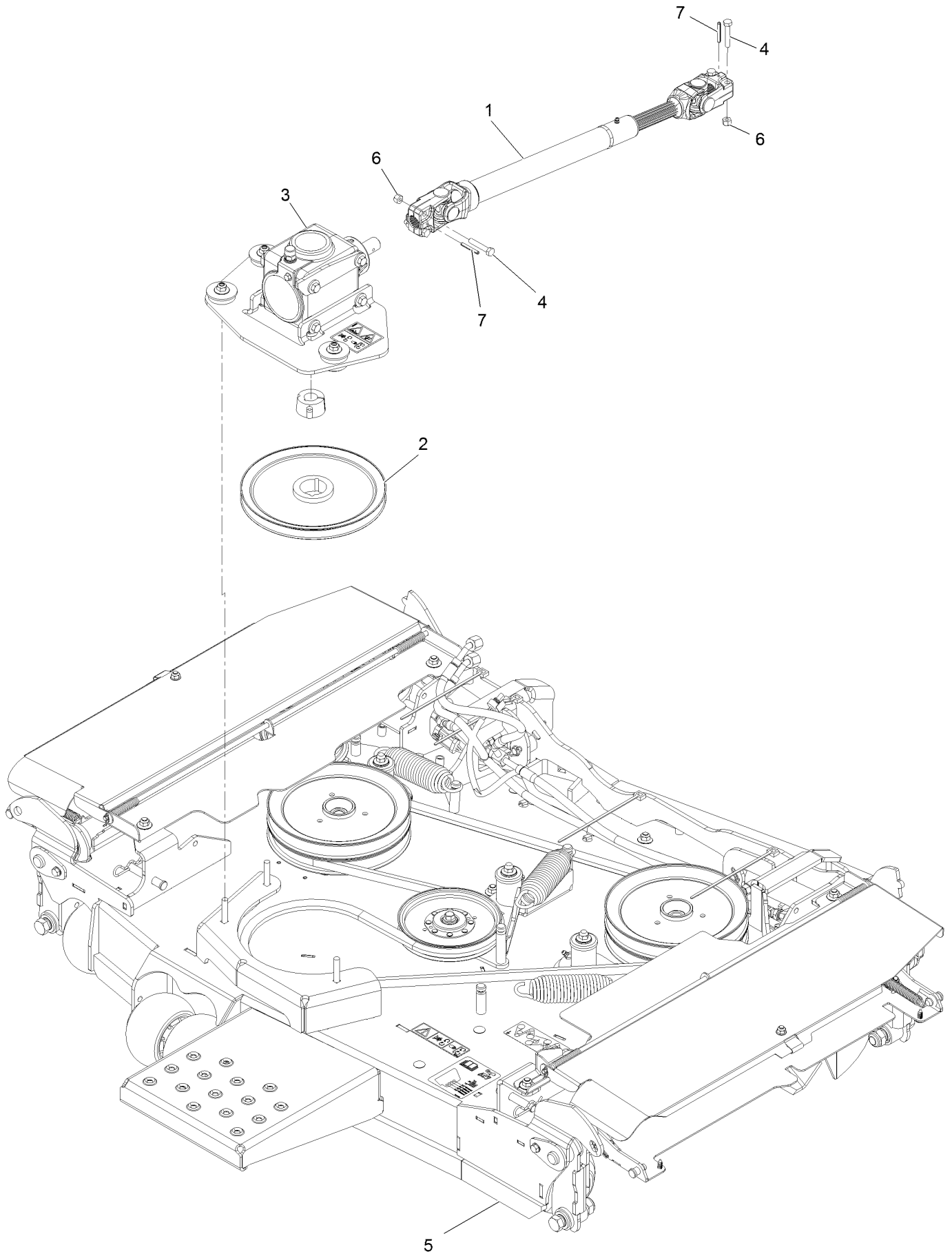


Complete Deck Assembly (Gearbox Asm Not Included) (continued)

<i>Ref.</i>	<i>Part Number</i>	<i>Qty.</i>	<i>Description</i>	<i>Ref.</i>	<i>Part Number</i>	<i>Qty.</i>	<i>Description</i>
1	135-0428	1	ASM-Deck, Ctr 96/120	3		1	ASM-Deck, LH Wing 96/120
1		1	ASM-Deck, Ctr 96/120 ●				●
2		1	ASM-Deck, RH Wing 96 ●	4		1	Discharge Tunnel ASM ●
2	135-2431	1	ASM-Deck, RH Wing 96	5	135-2449	1	Kit-96Rd Mulch
3	135-2426	1	ASM-Deck, LH Wing 96/120				

● Not serviced separately

Deck Assembly W/Gearbox

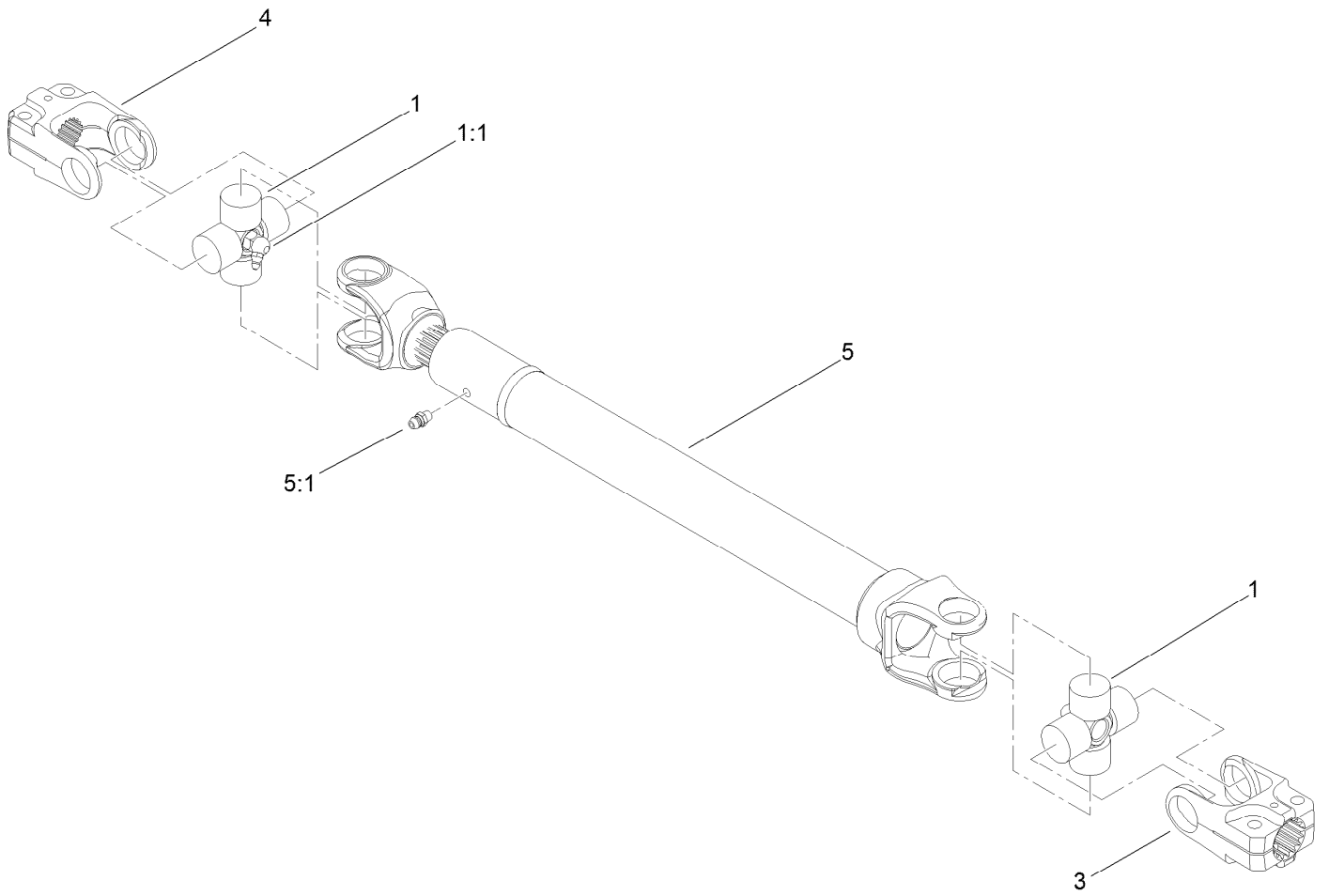


Deck Assembly W/Gearbox (continued)

<i>Ref.</i>	<i>Part Number</i>	<i>Qty.</i>	<i>Description</i>	<i>Ref.</i>	<i>Part Number</i>	<i>Qty.</i>	<i>Description</i>
1	110-3575	1	Driveshaft ASM	5		1	ASM-Deck, Ctr 96/120 ●
2	126-2822	1	Pulley	6	3296-29	4	Nut-Nyloc 5/16-18
3		1	Gearbox ASM ●	7	32121-34	2	Pin-Roll
4	322-9	4	Screw-HH 5/16-18 X 1 3/4				

● Not serviced separately

Driveshaft Assembly No. 110-3575

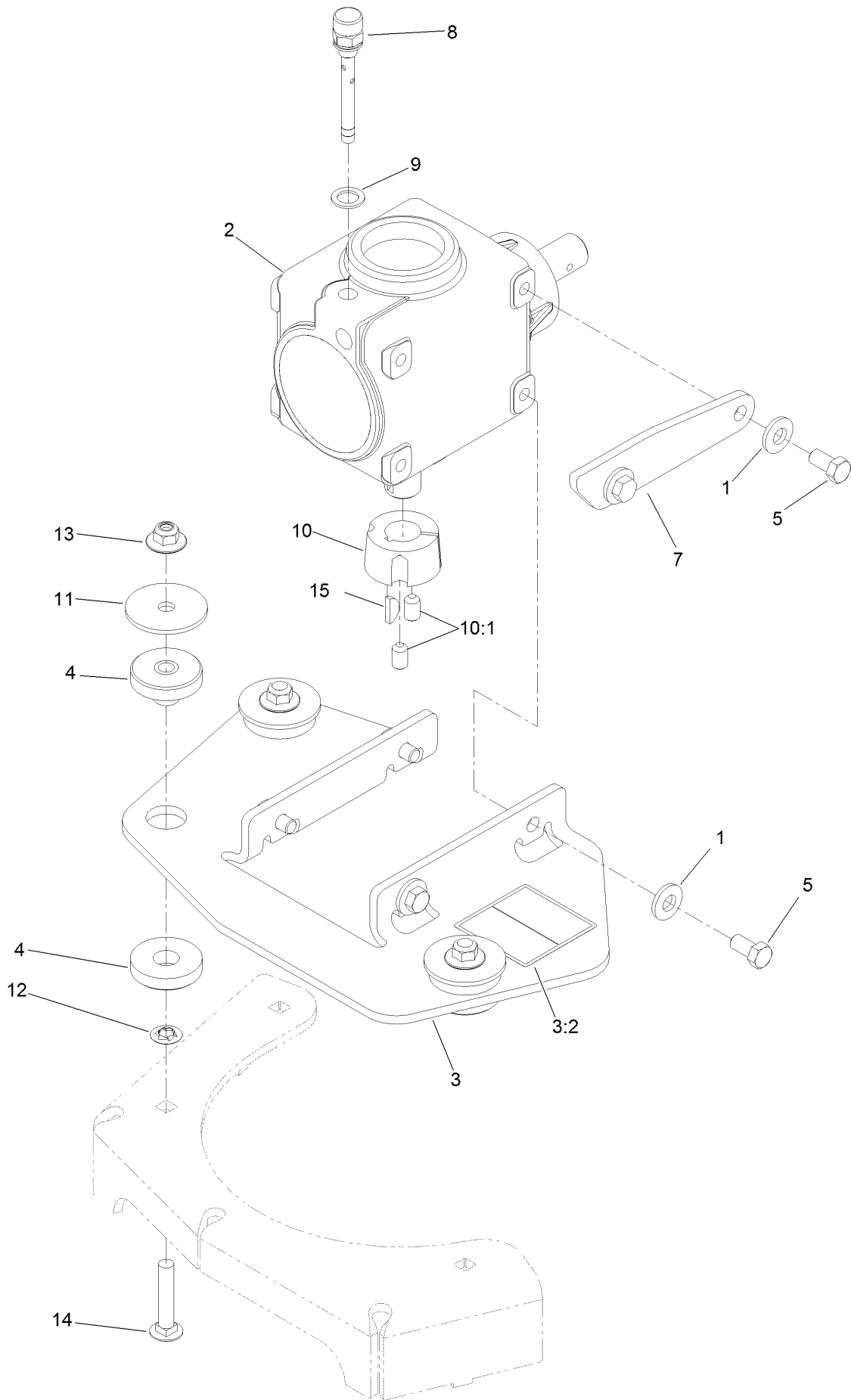


Driveshaft Assembly No. 110-3575 (continued)

<i>Ref.</i>	<i>Part Number</i>	<i>Qty.</i>	<i>Description</i>	<i>Ref.</i>	<i>Part Number</i>	<i>Qty.</i>	<i>Description</i>
1	112-1687	2	Cross And Bearing Kit	4	54-9090	1	Yoke-End
1:1	62-3820	1	Fitting-Grease	5		1	Tube-Yoke, Slip ●
3	54-9040	1	Yoke-End	5:1	302-22	1	Fitting-Grease

● Not serviced separately

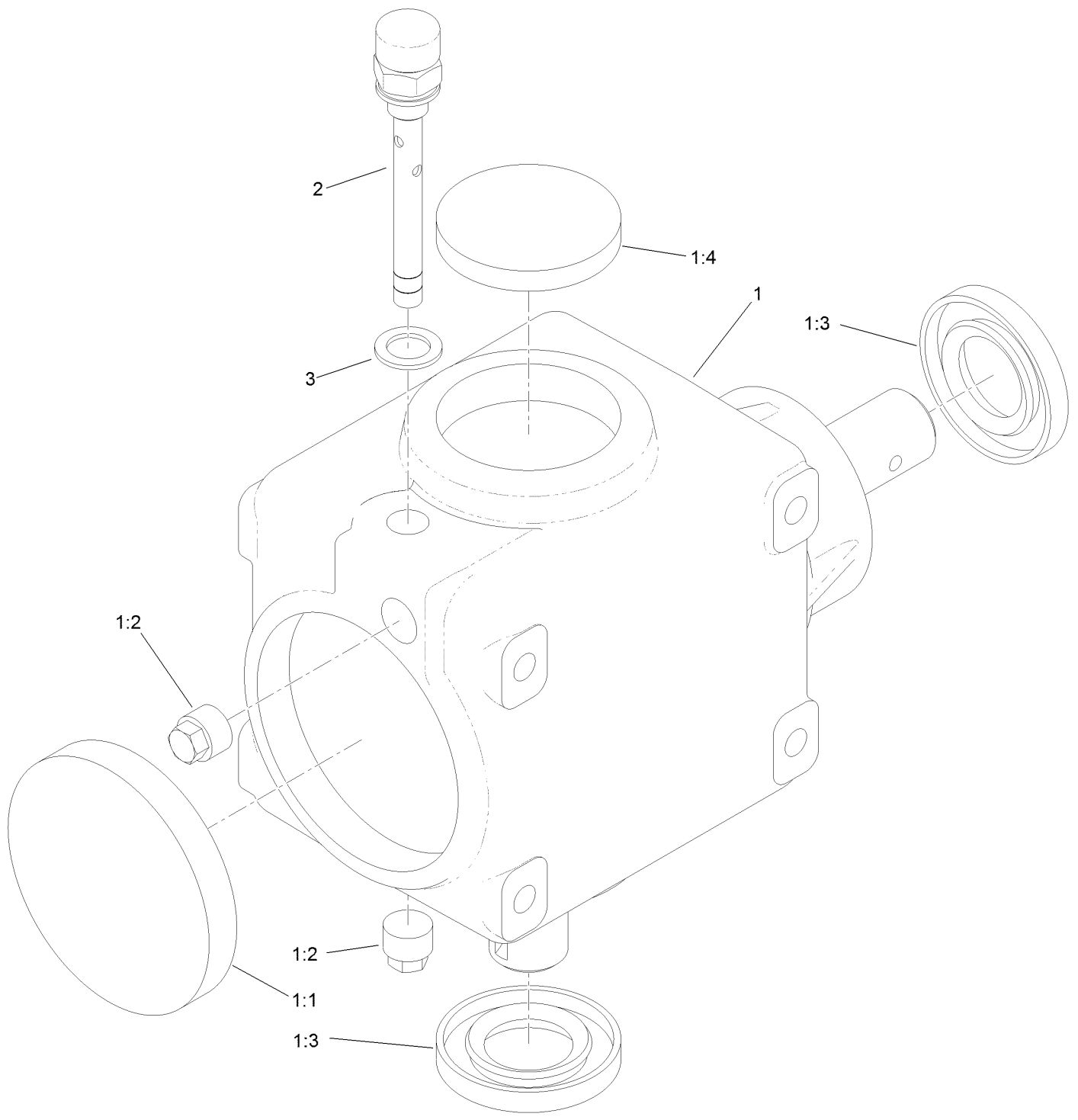
Gearbox and Mount Assembly



Gearbox and Mount Assembly (continued)

<i>Ref.</i>	<i>Part Number</i>	<i>Qty.</i>	<i>Description</i>	<i>Ref.</i>	<i>Part Number</i>	<i>Qty.</i>	<i>Description</i>
1	98-5975	6	Washer-Belleville	9	130-4899	1	Washer
2	130-8659	1	Gearbox ASM	10	23-1640	1	Bushing-Taperlock
3	135-0874	1	Mount-Gearbox	10:1	3247-4	2	Screw-Set
3:2	135-0679	1	Decal-Hazard, Entanglement	11	83-1040	3	Washer-Flat
4	126-3074	3	Mount-ISO	12	107-3154	3	Nut-Push
5	323-4	6	Screw-HH	13	109-6658	3	Nut-Flange, NI
7	126-3544	1	Stop-Gearbox	14	3231-6	3	Screw-CARR
8	130-8661	1	Plug-Breather	15	3257-5	1	Key-Woodruff

Gearbox Assembly No. 130-8659

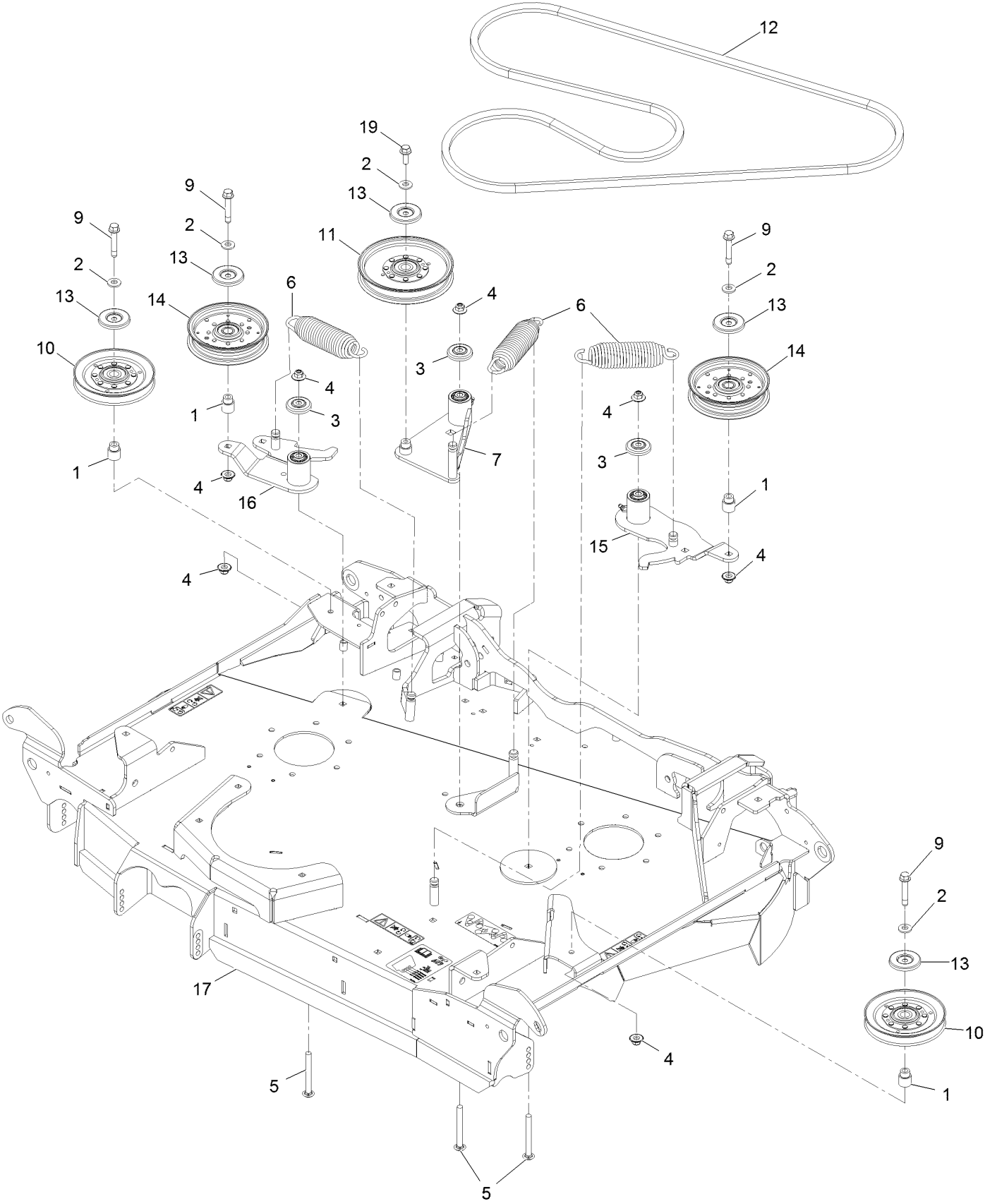


Gearbox Assembly No. 130-8659 (continued)

<i>Ref.</i>	<i>Part Number</i>	<i>Qty.</i>	<i>Description</i>	<i>Ref.</i>	<i>Part Number</i>	<i>Qty.</i>	<i>Description</i>
1		1	Gearbox ASM ●	1:4	107-2935	1	Cap-Oil
1:1	107-2932	1	Cap-Oil	2	130-8661	1	Plug-Breather
1:2	107-2933	2	Plug	3	130-4899	1	Washer
1:3	117-9247	2	Seal				

● Not serviced separately

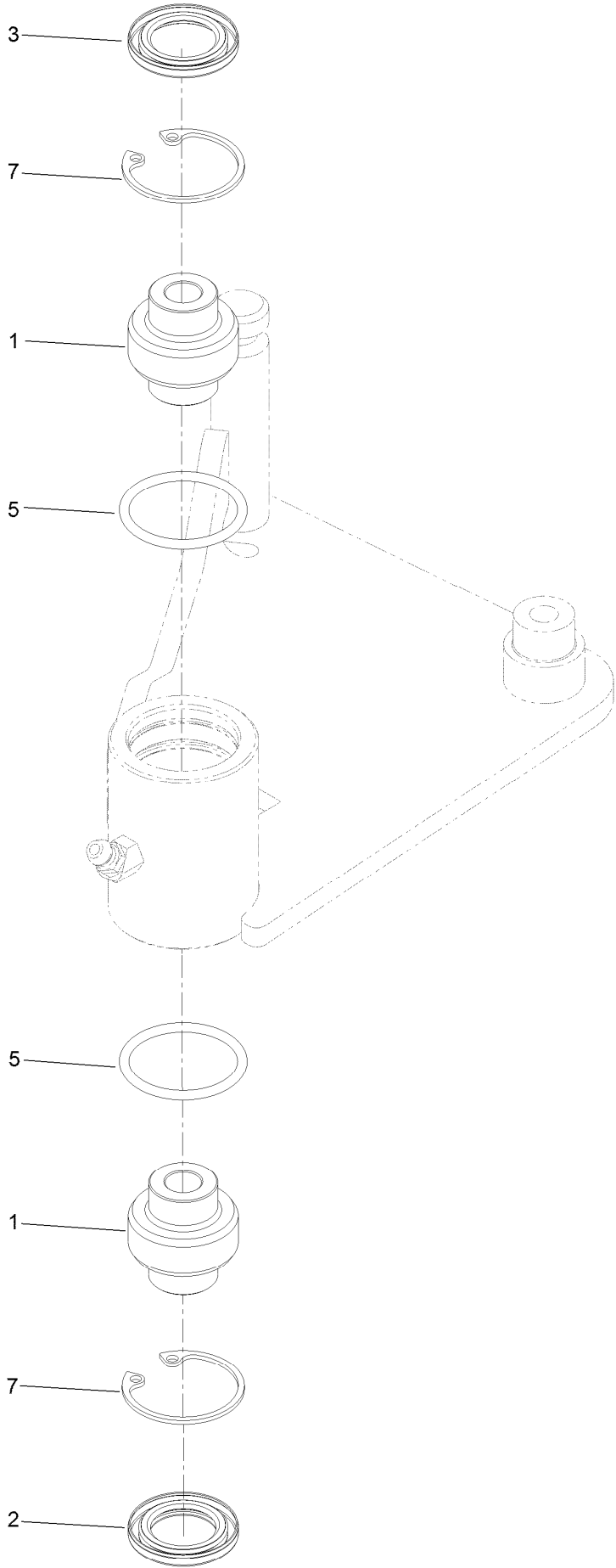
Center Deck Idler Assembly



Center Deck Idler Assembly (continued)

<i>Ref.</i>	<i>Part Number</i>	<i>Qty.</i>	<i>Description</i>	<i>Ref.</i>	<i>Part Number</i>	<i>Qty.</i>	<i>Description</i>
1	1-633456	4	Bushing, Idler	10	126-2960	2	Idler-V
2	98-5975	5	Washer-Spring Disc 3/8	11	126-7685	1	Idler-Pulley
3	103-2916	3	Guard-Top	12	126-7924	1	V-Belt
4	109-6658	7	Nut-Nyloc 3/8-16 Flg	13	126-8043	5	Shield-Dust
5	116-1502	3	Bolt-Carriage Shoulder 3/8-16 X 3 1/2	14	126-9187	2	Pulley-Idler, Flat
6	116-6317	3	Spring-Extension	15	126-9435	1	Idler ASM
7	126-2585	1	Idler Arm ASM	16	126-9438	1	Idler ASM
9	126-2956	4	Screw-HHF W/ Patch	17	135-1042	1	ASM-Deck, Ctr 96/120
				19	3234-42	1	Screw HHF 3/8-16 X 1

Idler Arm Assembly No. 126-2585

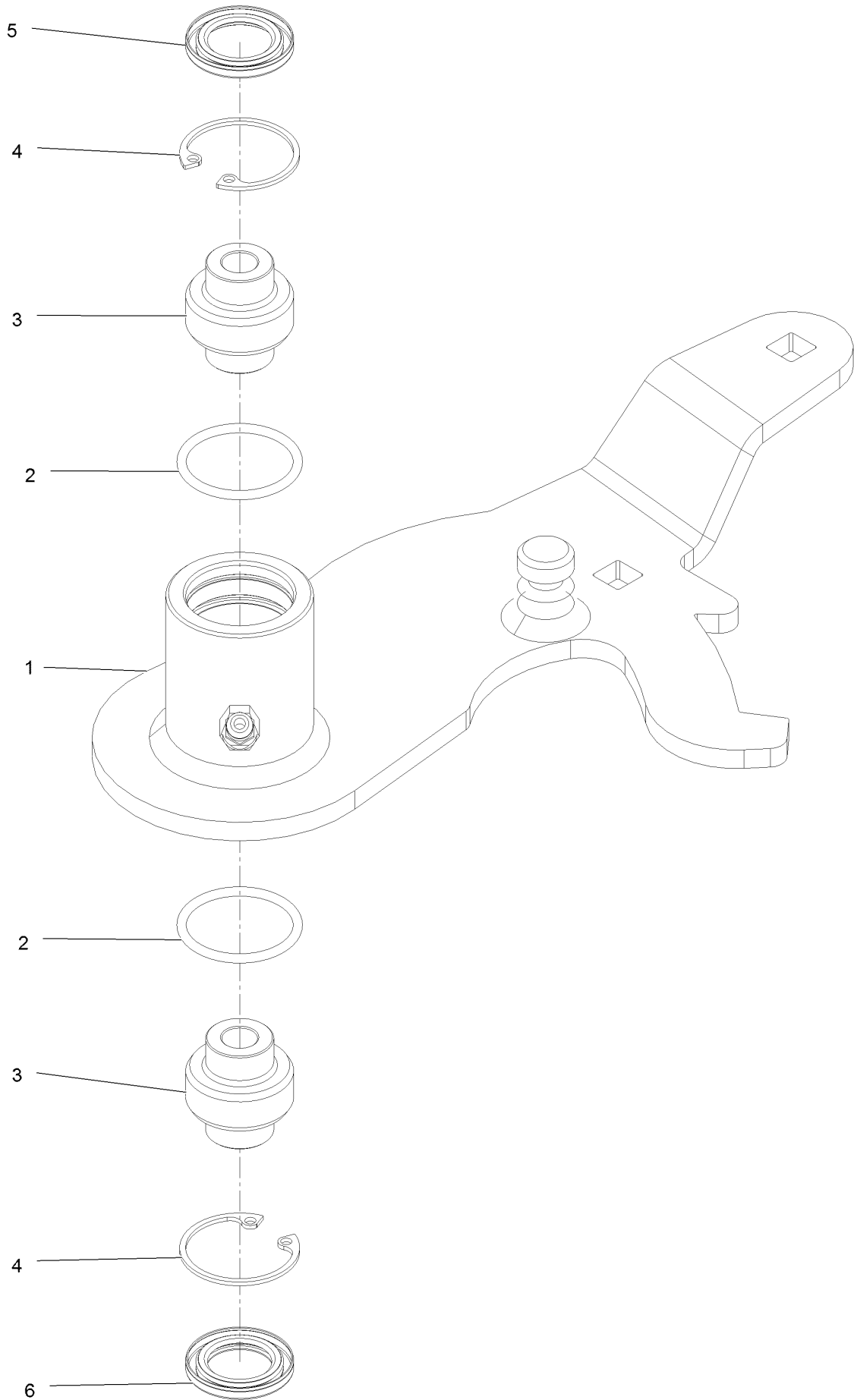


Idler Arm Assembly No. 126-2585 (continued)

<i>Ref.</i>	<i>Part Number</i>	<i>Qty.</i>	<i>Description</i>
1	103-3504	2	Bearing-Spherical
2	103-3505	1	Seal-Lip, Double
3	103-3506	1	Seal-Lip, Single

<i>Ref.</i>	<i>Part Number</i>	<i>Qty.</i>	<i>Description</i>
5	106-7159	2	O-Ring
7	32120-10	2	Ring-Snap

Idler Assembly No. 126-9435



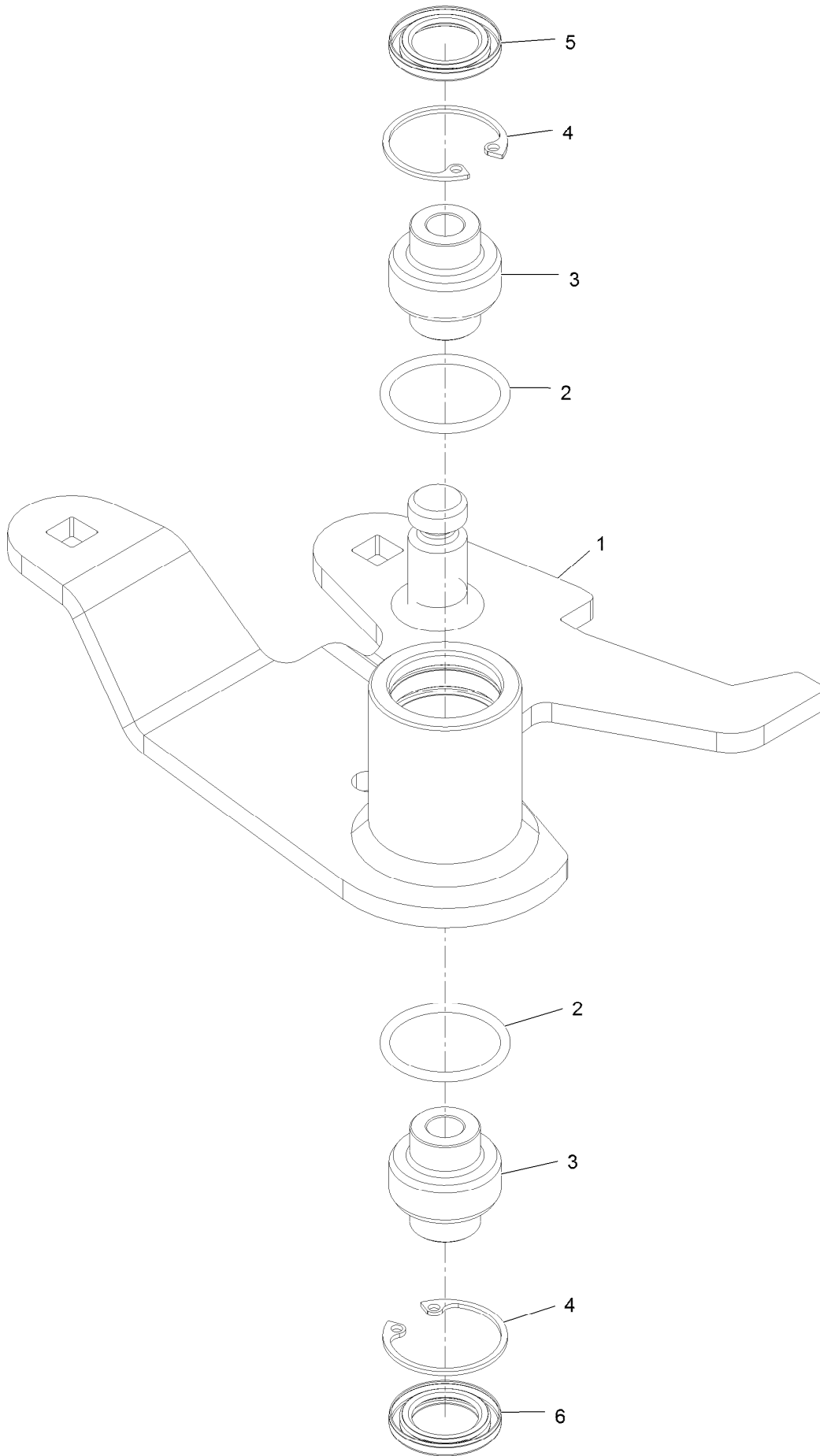
Idler Assembly No. 126-9435 (continued)

<i>Ref.</i>	<i>Part Number</i>	<i>Qty.</i>	<i>Description</i>
1		1	ASM-Idler Arm 96Rd LH [red] ●
2	106-7159	2	O-Ring
3	103-3504	2	Bearing-Spherical

<i>Ref.</i>	<i>Part Number</i>	<i>Qty.</i>	<i>Description</i>
4	32120-10	2	Ring-Snap
5	103-3506	1	Seal-Lip, Single
6	103-3505	1	Seal-Lip, Double

● Not serviced separately

Idler Assembly No. 126-9438

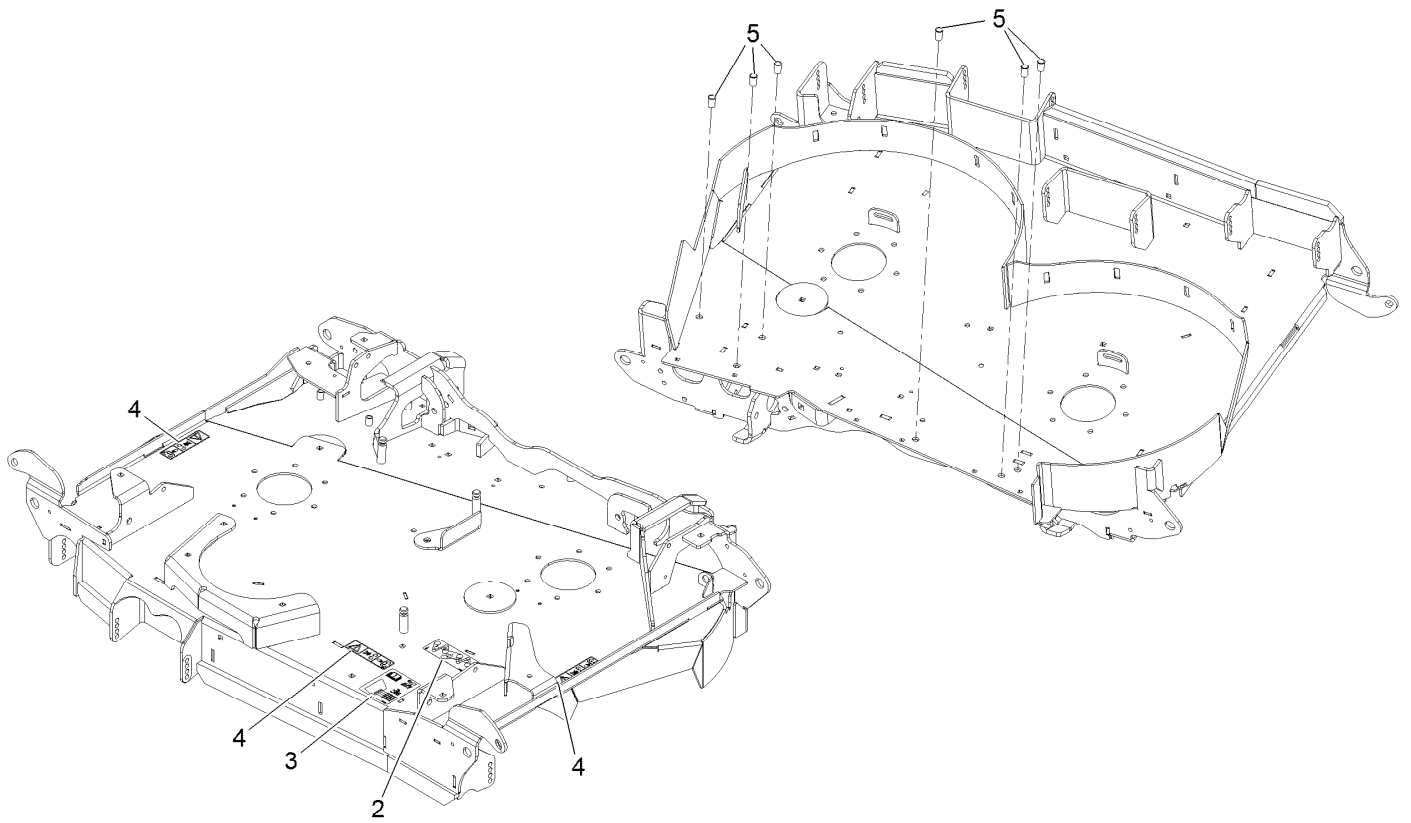


Idler Assembly No. 126-9438 (continued)

<i>Ref.</i>	<i>Part Number</i>	<i>Qty.</i>	<i>Description</i>	<i>Ref.</i>	<i>Part Number</i>	<i>Qty.</i>	<i>Description</i>
1		1	ASM-Idler Arm, 96Rd [red] ●	4	32120-10	2	Ring-Snap
2	106-7159	2	O-Ring	5	103-3506	1	Seal-Lip, Single
3	103-3504	2	Bearing-Spherical	6	103-3505	1	Seal-Lip, Double

● Not serviced separately

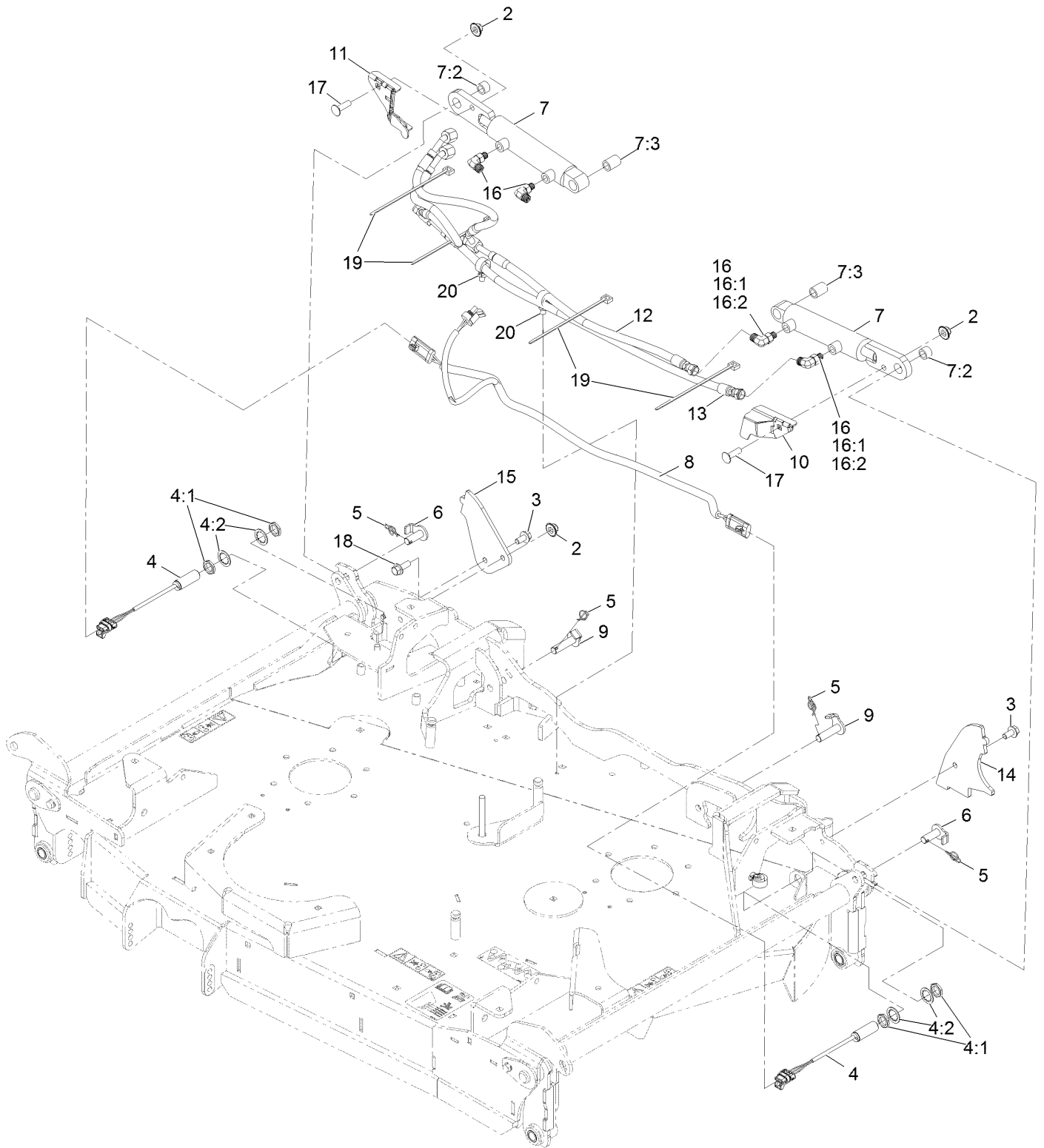
Center Deck W/Decals Assembly



Center Deck W/Decals Assembly (continued)

<i>Ref.</i>	<i>Part Number</i>	<i>Qty.</i>	<i>Description</i>	<i>Ref.</i>	<i>Part Number</i>	<i>Qty.</i>	<i>Description</i>
2	126-9127	1	Decal-Routing, Belt	4	112-9028	3	Decal-Cover, Missing
3	109-6036	1	Decal-Roller, Anti-Scalp	5	32148-10	6	Nut-Clinch

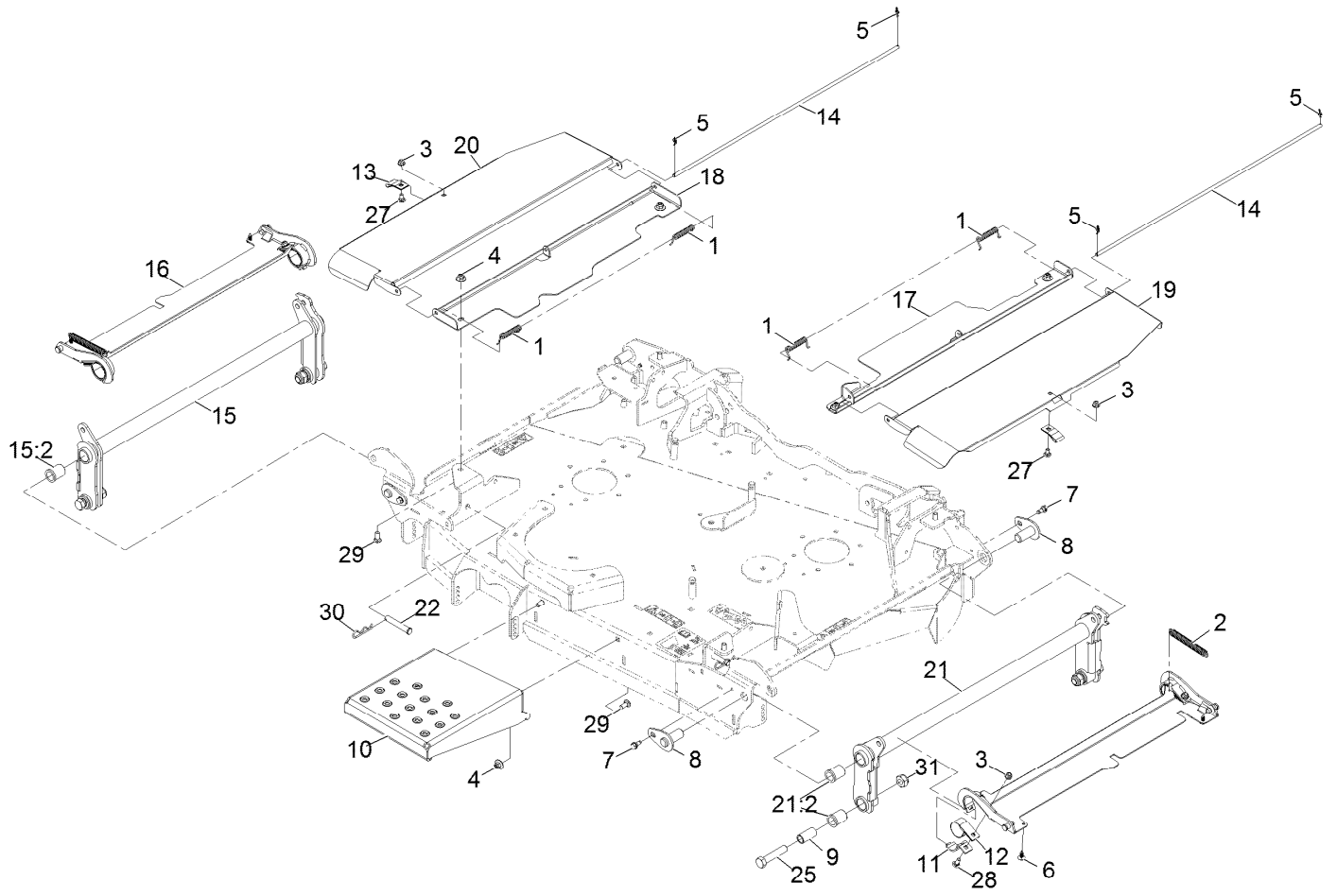
Folding Deck Hydraulic Assembly



Folding Deck Hydraulic Assembly (continued)

<i>Ref.</i>	<i>Part Number</i>	<i>Qty.</i>	<i>Description</i>	<i>Ref.</i>	<i>Part Number</i>	<i>Qty.</i>	<i>Description</i>
2	109-6658	3	Nut-Nyloc 3/8-16 Flg	11	135-3775	1	ASM-Prox Target, RH
3	110-9380	2	Screw-HWH	12	135-1760	1	Hose ASM
4	115-5300	2	Proximity Switch ASM	13	135-1761	1	Hose ASM
4:1	117-3207	2	Nut-Hex	14	135-2628-01	1	Bracket-Deck Stop, LH
4:2	117-3208	2	Washer-Lock, Internal Tooth	15	135-2629-01	1	Bracket-Deck Stop, RH
5	126-8417	4	Pin-Cotter, Locking	16	340-132	4	Fitting-Elbow, 90 DEG
6	126-8448	2	Eye-Pin, Cylinder	16:1	237-78	1	O-Ring
7	126-9000	2	Deck Fold Cylinder ASM	16:2	237-21	1	O-Ring
7:2	126-8439	1	Bushing	17	3231-28	2	Bolt-Carriage 3/8-16 X 1 1/4
7:3	126-8440	1	Bushing	18	3234-42	1	Screw HHF 3/8-16 X 1
8	126-9372	1	Harness-Wire	19	3290-378	4	Tie-Cable
9	126-9403	2	Base-Pin, Cylinder	20	32180-030	4	Clip-Tie
10	135-3774	1	ASM-Prox Target, LH				

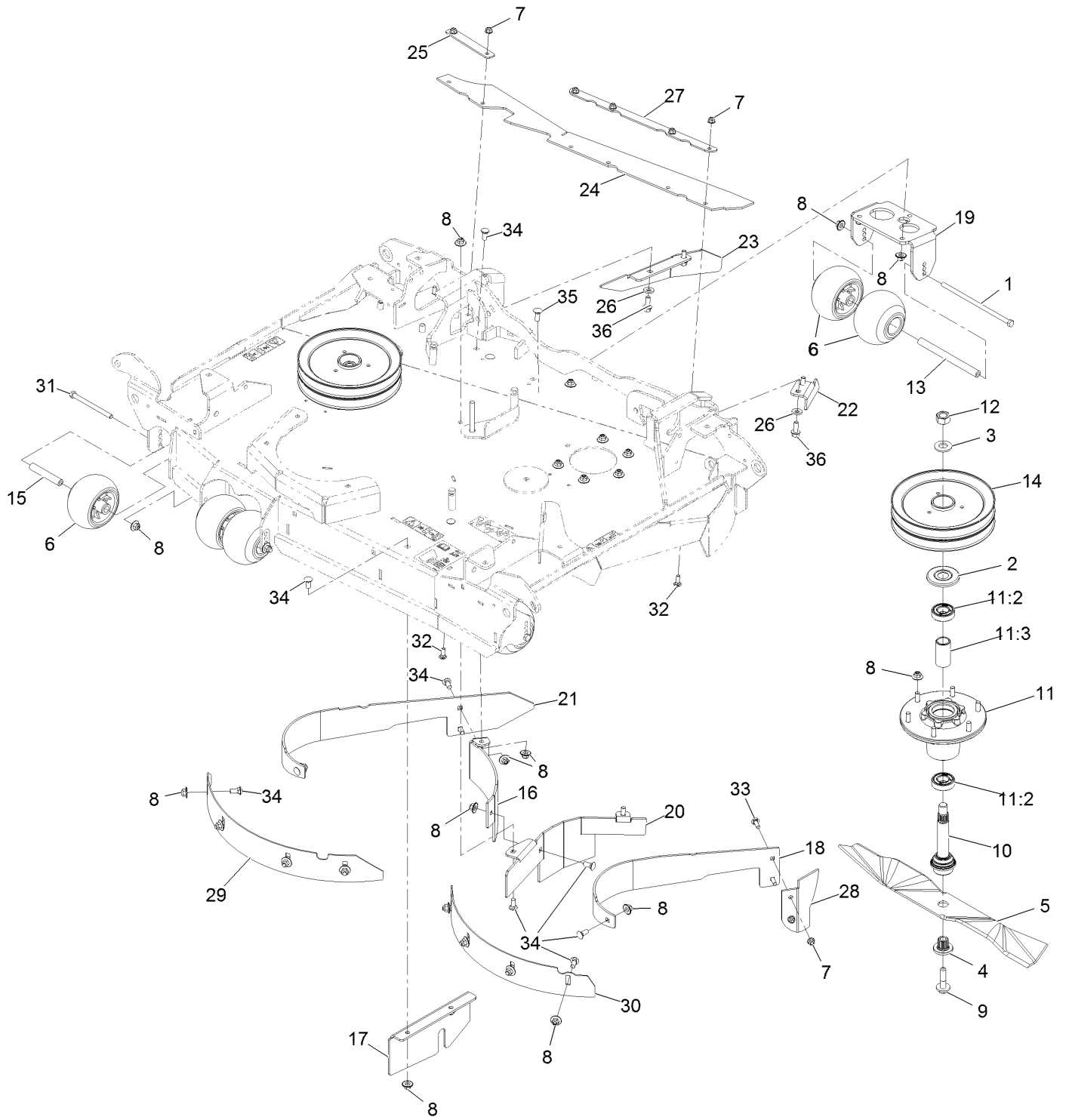
Center Deck Guard Assembly



Center Deck Guard Assembly (continued)

<i>Ref.</i>	<i>Part Number</i>	<i>Qty.</i>	<i>Description</i>	<i>Ref.</i>	<i>Part Number</i>	<i>Qty.</i>	<i>Description</i>
1	99-5293	4	Spring	15:2	135-1841	4	Bushing-Flanged
2	103-4813	2	Spring	16	135-2630-01	2	Cover-Wing
3	104-8300	6	Nut-Nyloc 5/16-18 Flg	17	135-2651-01	1	Shield-Center, LH
4	109-6658	6	Nut-Nyloc 3/8-16 Flg	18	135-2652-01	1	Shield-Center, RH
5	116-6639	4	Pin-Cotter, Locking	19	135-1839-03	1	Panel-Shield Hinge, LH
6	117-2382	4	Plug-Plastic	20	135-1840-03	1	Panel-Shield Hinge, RH
7	126-4424	4	Screw-Shoulder	21	135-1844	1	LH Fold Arm ASM
8	126-9411	4	Pin-Deck	21:2	135-1841	4	Bushing-Flanged
9	135-5125	4	Bushing-Float, Deck	22	283-55	2	Pin-Clevis
10	126-9745-03	1	Panel-Step	25	327-9	4	Screw-HH
11	126-9764	4	Plate-Retainer, Bearing	27	3230-15	2	Screw-CARR
12	135-0584	4	Bearing-Strap, Nylon	28	3230-16	4	Bolt-Carriage 5/16-18 X 7/8
13	135-0608	2	Bearing-Strap, Nylon	29	3231-12	6	Bolt-CARR
14	135-1023	2	Cover-Rod, Pivot	30	3290-355	2	Pin-Hair
15	135-1046	1	RH Fold Arm ASM	31	3296-61	4	Nut-Lock

Center Deck Spindle, Blade and Baffle Assembly



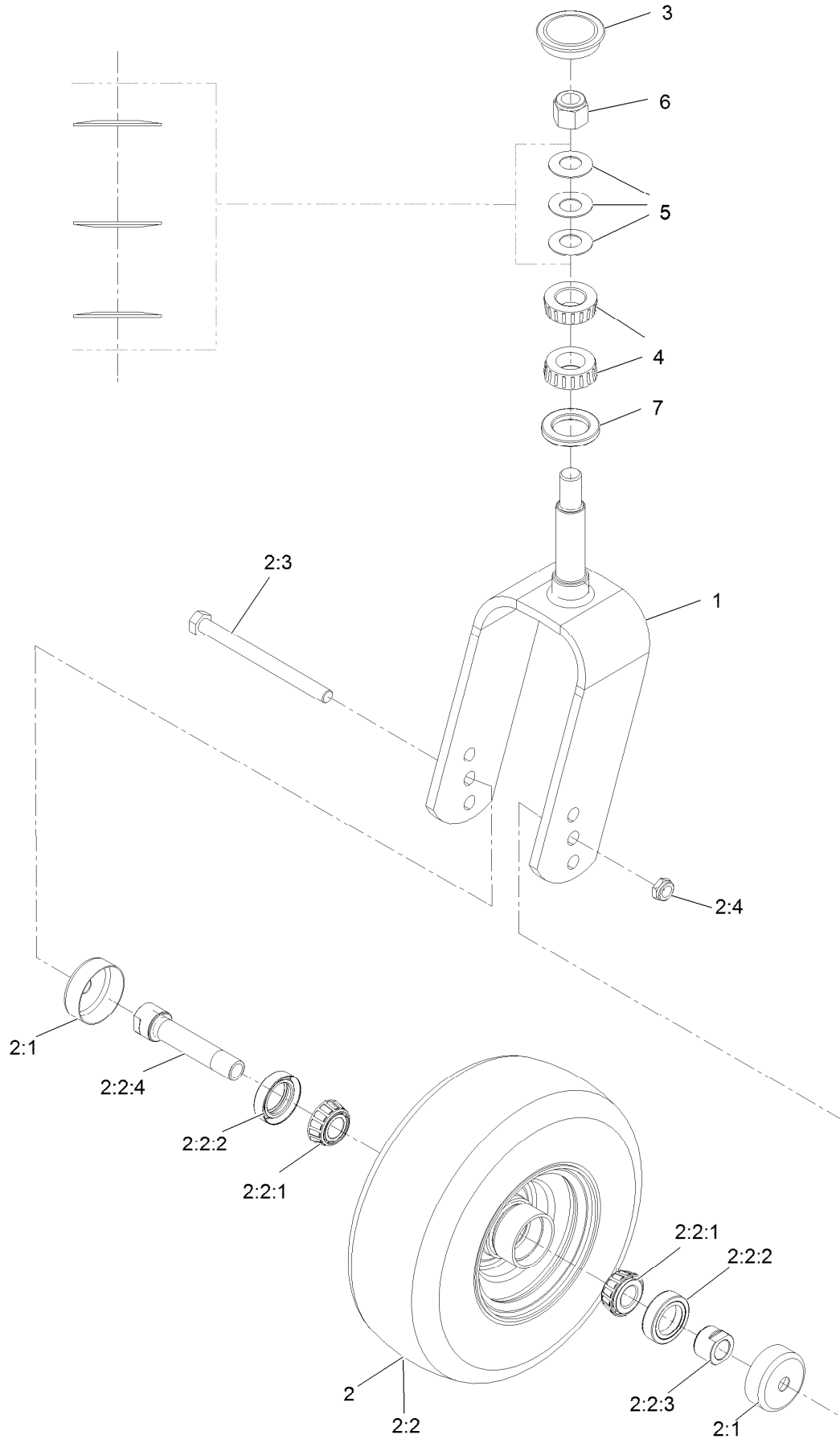
Center Deck Spindle, Blade and Baffle Assembly (continued)

<i>Ref.</i>	<i>Part Number</i>	<i>Qty.</i>	<i>Description</i>	<i>Ref.</i>	<i>Part Number</i>	<i>Qty.</i>	<i>Description</i>
1	99-7203	4	Screw-HH	18	135-0792-01	1	Baffle-Dogleg, Center (LH)
2	103-1330	2	Guard-Bearing Top	19	135-1036-01	1	Bracket-Antiscalp, Rear
3	103-2802	2	Washer-Spring Disc 3/4	20	135-1827-01	1	Baffle-Center
4	103-3037	2	Bushing, Splined	21	135-2451-01	1	Baffle-Dogleg, Center (RH)
5	103-6394	2	Blade, Mulching	22	135-2452-01	1	Baffle-Breaker
6	103-8415	9	Roller-Anti-Scalp	23	135-2453-01	1	Plate-Fin, Discharge
7	104-8300	8	Nut-Nyloc 5/16-18 Flg	24	135-2618	1	Flap-Discharge
8	109-6658	38	Nut-Nyloc 3/8-16 Flg	25	135-2455-03	1	Support-Flap, LH
9	109-9220	2	Screw-Sems 1/2-20 X 2.19●	26	98-5975	6	Washer-Belleville
10	116-3341	2	ASM-Spindle And Seal	27	135-2457-03	1	Support-Flap, LH
11	116-3344	2	ASM-Cutter Hsg With Bearings	28	135-2458	1	Guard-Discharge
11:2	116-0720	2	Bearing-Ball	29	135-2459-01	1	Baffle-Depth, LH
11:3	116-3312	1	Spacer-Bearing	30	135-2460-01	1	Baffle-Depth, RH
12	116-7306	2	Nut-Hex ■	31	323-38	1	Screw-HH 3/8-16 X 4 3/4
13	126-6115	4	Spacer-Wheel	32	3230-16	6	Bolt-Carriage 5/16-18 X 7/8
14	126-6634	2	Sheave-Double 96Rd	33	3230-22	2	Bolt-Carriage 5/16-18 X 1 Sp
15	126-7140	1	Spacer-Wheel Short	34	3231-12	18	Bolt-CARR
16	135-0601-01	1	Baffle-Center, Rear (RH)	35	3231-2	3	Bolt-Carriage 3/8-16 X 1
17	135-0603-01	1	Plate-Block, Front	36	3234-11	6	Screw-HH Flg 3/8-16 X 1

● Torque to 50-60 ft-lb

■ Torque to 130-160 ft-lb

Front LH and RH Caster Fork and Tire Assembly

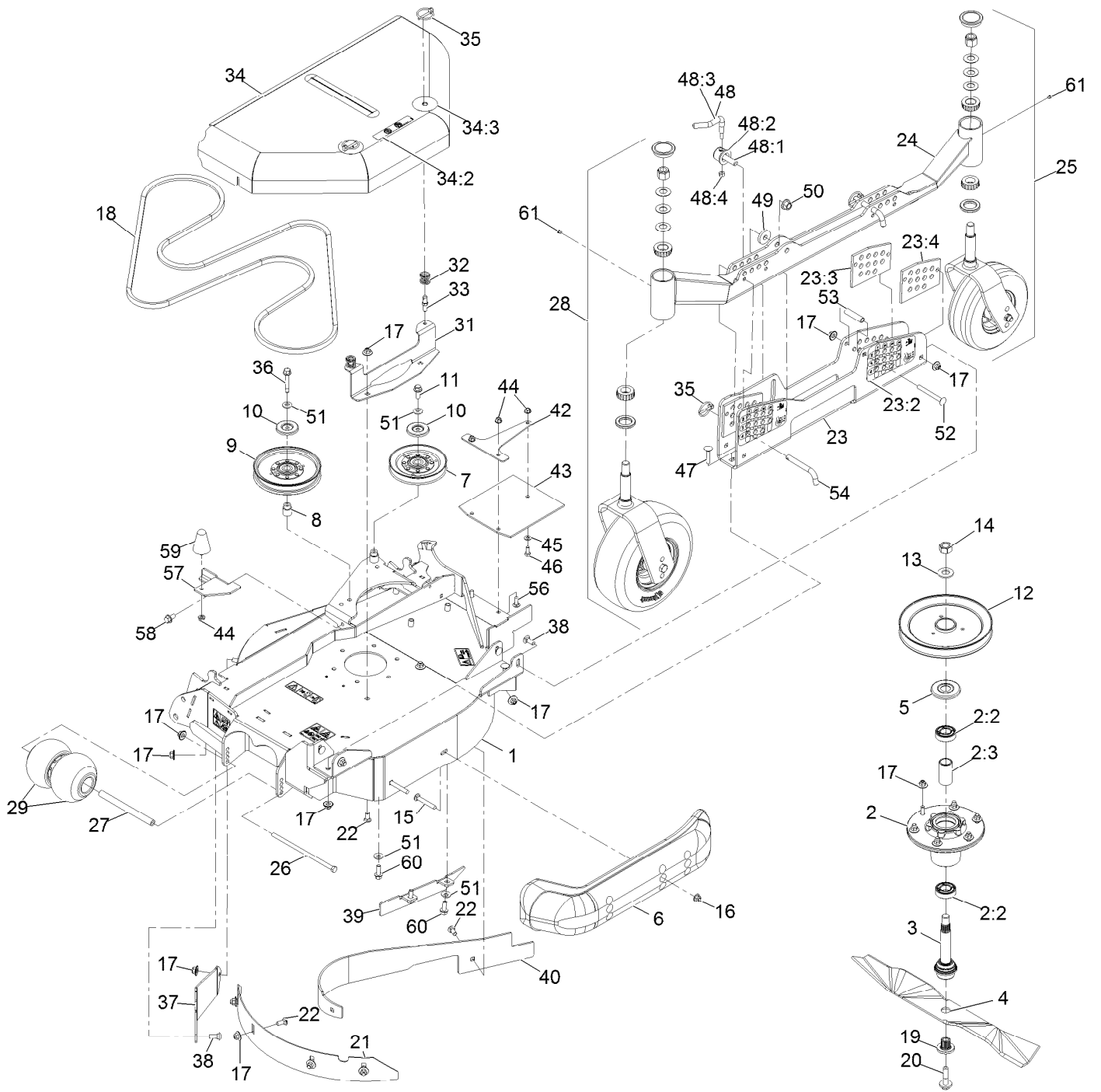


Front LH and RH Caster Fork and Tire Assembly (continued)

<i>Ref.</i>	<i>Part Number</i>	<i>Qty.</i>	<i>Description</i>	<i>Ref.</i>	<i>Part Number</i>	<i>Qty.</i>	<i>Description</i>
1	135-3794-01	1	Caster-Fork [red]	2:3	325-20	1	Screw-HH 1/2-13 X 6
2	109-3524	1	Asm, Wheel And Bearings	2:4	3296-45	1	Nut-Nyloc 1/2-13 Thin
2:1	103-2768	2	Guard-Seal	3	103-4882	1	Cap-Grease
2:2		1	Wheel And Bearing ASM ●	4	1-543509	2	Cone-Bearing Tapered Roller
2:2:1	1-633585	2	Bearing-Cone Tapered Roller	5	1-633508	3	Washer-Spring Disc
2:2:2	103-0063	2	Seal-Double Lip	6	3296-51	1	Nut-Nyloc 3/4-10
2:2:3	103-3051	1	Spacer-Nut	7	1-543511	1	Seal-Grease
2:2:4	126-5359	1	Caster Axle ASM				

● Not serviced separately

LH Wing Deck Assembly



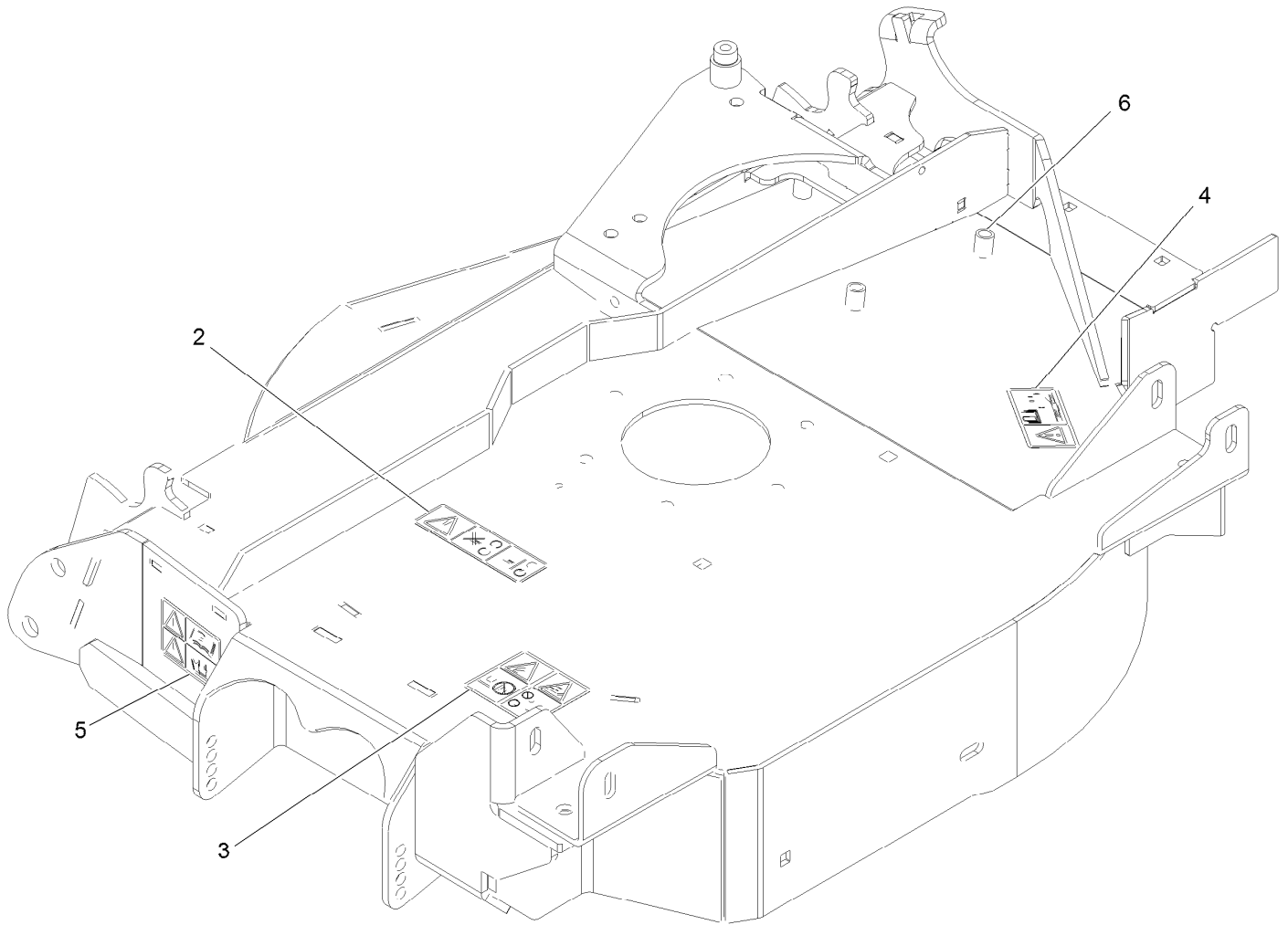
LH Wing Deck Assembly (continued)

<i>Ref.</i>	<i>Part Number</i>	<i>Qty.</i>	<i>Description</i>	<i>Ref.</i>	<i>Part Number</i>	<i>Qty.</i>	<i>Description</i>
1	135-2428	1	ASM-Deck, LH Wing 96/120	32	126-1503	2	Spring
2	116-3344	1	ASM-Cutter Hsg With Bearings	33	126-1504	2	Pin-Spring
2:2	116-0720	2	Bearing-Ball	34	135-1815	1	LH Wing Shield ASM
2:3	116-3312	1	Spacer-Bearing	34:2	93-6687	1	Decal-No Step
3	116-3341	1	ASM-Spindle And Seal	34:3	135-3165	2	Decal-Scratch Cover
4	103-6394	1	Blade, Mulching	35	92-1298	4	Pin-Lynch
5	103-1330	1	Guard-Bearing Top	36	126-2956	1	Screw-HHF W/ Patch
6	112-1479	1	Skid-Bumper, Deck	37	126-9757-01	1	Plate-Fill, LH Deck
7	126-2960	1	Idler-V	38	3231-2	6	Bolt-Carriage 3/8-16 X 1
8	1-633456	1	Bushing, Idler	39	135-1824-01	1	Fin-Baffle, Discharge Wing (LH)
9	126-7685	1	Idler-Pulley	40	135-0794-01	1	Baffle-Dogleg, Center (RH)
10	126-8043	2	Shield-Dust	42	135-0618-03	1	Support-Flap, LH
11	3234-42	1	Screw HHF 3/8-16 X 1	43	135-1849	1	Guard-Tire, LH
12	126-6635	1	Sheave-Single 96Rd	44	104-8300	4	Nut-Nyloc 5/16-18 Flg
13	103-2802	1	Washer-Spring Disc 3/4	45	3256-23	1	Washer-5/16 SAE
14	116-7306	1	Nut-Hex ▲	46	322-3	1	Screw-HH 5/16-18 X 3/4
15	3231-31	2	Bolt-Carriage 3/8-16 X 2 1/2	47	3231-5	2	Bolt-Carriage 3/8-16 X 1 3/4
16	104-8301	2	Nut-Nyloc 3/8-16 Flg	48	107-1664	1	Lever ASM
17	109-6658	25	Nut-Nyloc 3/8-16 Flg	48:1	106-3239	1	Screw-Lock
18	126-6442	1	Belt-V	48:2	107-1644	1	Cap-Lock
19	103-3037	1	Bushing, Splined	48:3	106-3241	1	Lever-Lock
20	109-9220	1	Screw-Sems 1/2-20 X 2.19 ●	48:4	3296-29	1	Nut-Nyloc 5/16-18
21	135-2459-01	1	Baffle-Depth, LH	49	30-8770	1	Washer
22	3231-12	8	Bolt-CARR	50	99-5107	1	Nut-Lock 1/2-13
23	135-2433	1	LH HOC Channel ASM	51	98-5975	5	Washer-Spring Disc 3/8
23:2	126-8597	2	Decal-Height Of Cut-LH	52	3231-11	1	Bolt-Carriage 3/8-16 X 3 1/2
23:3	135-2422	2	Plate-Guide, HOC (LH)	53	135-2424	1	Spacer
23:4	135-2423	2	Plate-Guide, HOC (RH)	54	135-2073	2	Pin-HOC
24	135-2436-01	1	Tube-HOC, LH	56	3230-10	2	Bolt-Carriage 5/16-18 X 7/8
25		1	Caster/Wheel ASM ■	57	135-2611-01	1	Bracket-Cover Retainer
26	99-7203	1	Screw-HH	58	110-9380	1	Screw-HWH
27	126-6115	1	Spacer-Wheel	59	114-1925	1	Bumper-Rubber
28		1	ASM-Caster, 11"tire ■	60	3234-11	3	Screw-HH Flg 3/8-16 X 1
29	103-8415	2	Roller-Anti-Scalp	61	1-811010	2	Plug
31	135-2653-03	1	Bracket-Shield Mount, Outer				

● Torque to 50-60 ft-lb
▲ Torque to 130-160 ft-lb

■ Not serviced separately

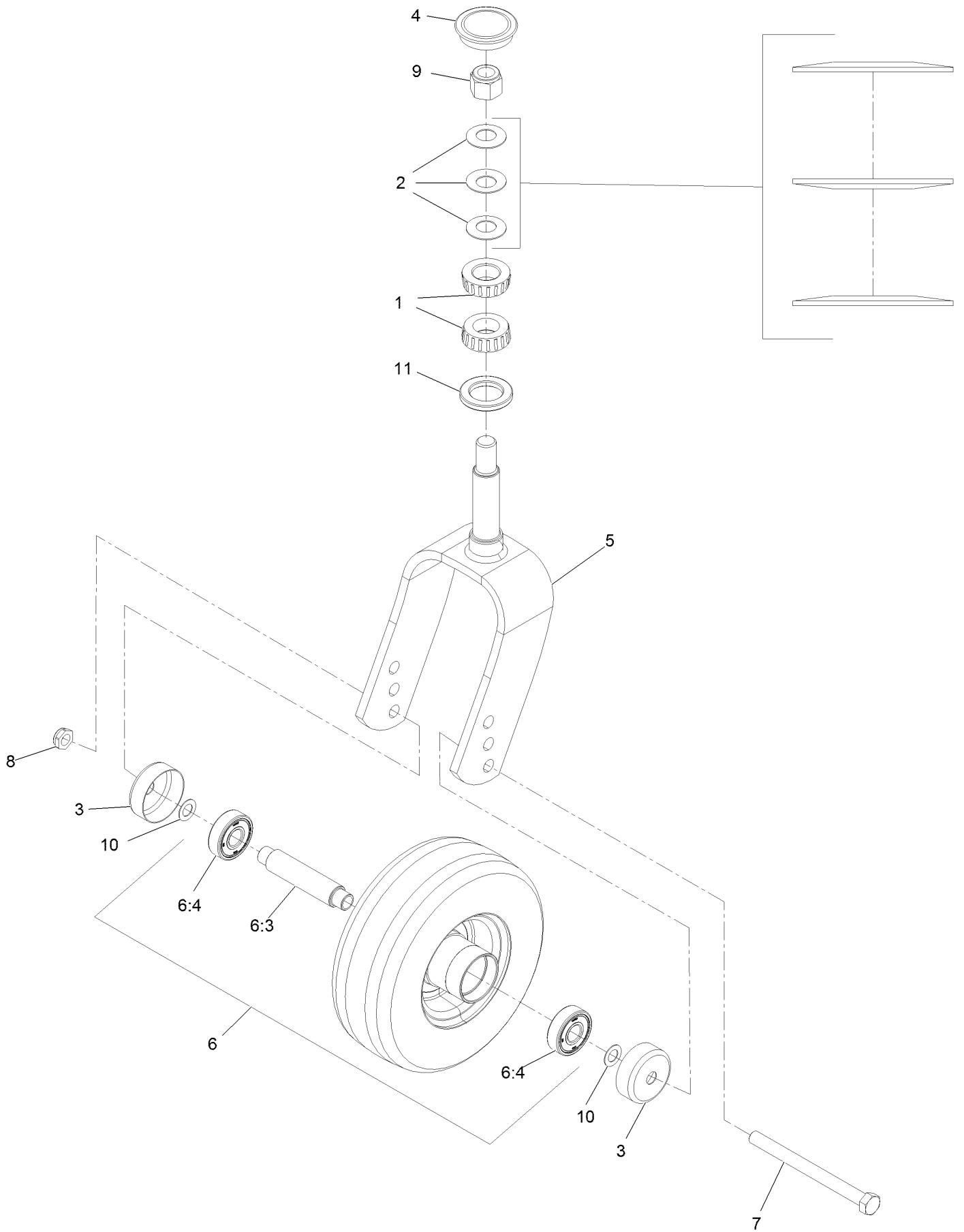
LH Wing Deck W/Decals Assembly



LH Wing Deck W/Decals Assembly (continued)

<i>Ref.</i>	<i>Part Number</i>	<i>Qty.</i>	<i>Description</i>	<i>Ref.</i>	<i>Part Number</i>	<i>Qty.</i>	<i>Description</i>
2	112-9028	1	Decal-Cover, Missing	4	116-8283	1	Decal-Bolt Torque
3	135-0664	1	Decal-Danger, Thrown Object	5	135-0670	1	Decal-Warning, Pinch Point
				6	32148-10	3	Nut-Clinch

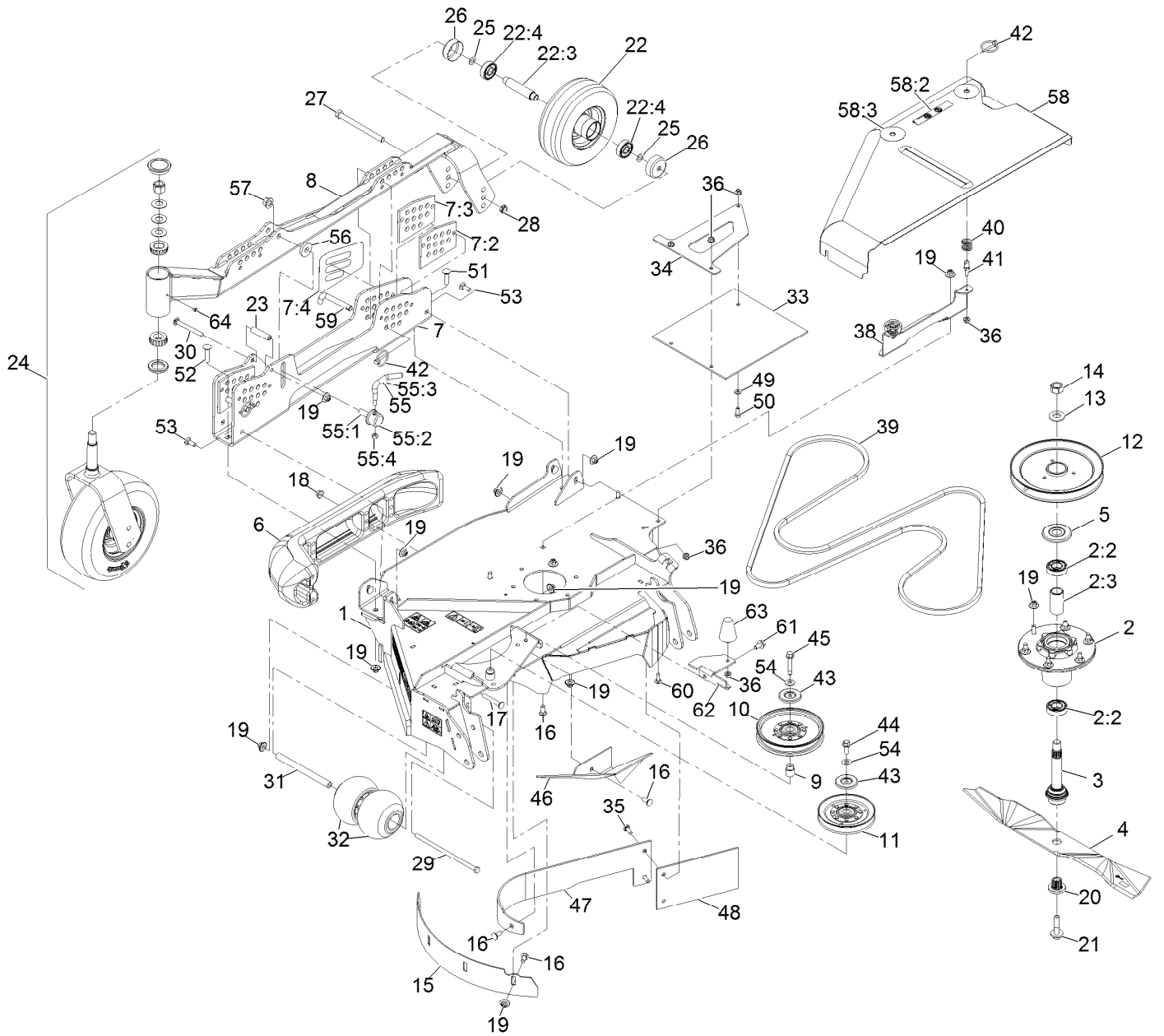
LH Deck Rear Caster Wheel and Fork Assembly



LH Deck Rear Caster Wheel and Fork Assembly (continued)

<i>Ref.</i>	<i>Part Number</i>	<i>Qty.</i>	<i>Description</i>	<i>Ref.</i>	<i>Part Number</i>	<i>Qty.</i>	<i>Description</i>
1	1-543509	2	Cone-Bearing Tapered Roller	6:3	126-7904	1	Axle-Caster
2	1-633508	3	Washer-Spring Disc	6:4	116-4004	2	Bearing
3	103-2768	2	Guard-Seal	7	325-20	1	Screw-HH 1/2-13 X 6
4	103-4882	1	Cap-Grease	8	3296-45	1	Nut-Nyloc 1/2-13 Thin
5	135-3793-01	1	Fork-Caster 9" [red]	9	3296-51	1	Nut-Nyloc 3/4-10
6	135-2642	1	Wheel And Tire ASM	10	36-4780	2	Washer
				11	1-543511	1	Seal-Grease

RH Wing Deck Assembly



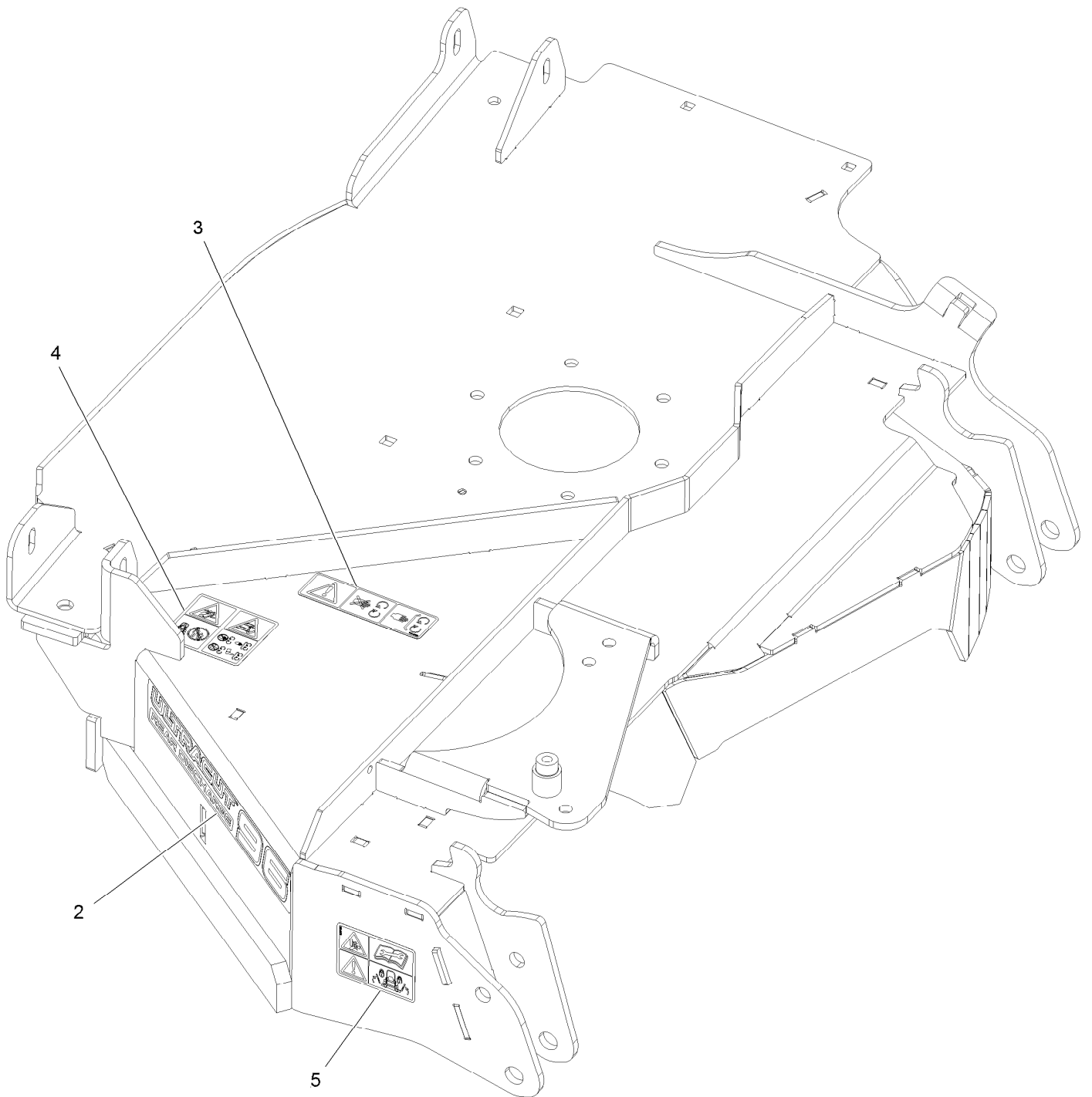
RH Wing Deck Assembly (continued)

<i>Ref.</i>	<i>Part Number</i>	<i>Qty.</i>	<i>Description</i>	<i>Ref.</i>	<i>Part Number</i>	<i>Qty.</i>	<i>Description</i>
1	135-2429	1	ASM-Deck, RH Wing 96	32	103-8415	2	Roller-Anti-Scalp
2	116-3344	1	ASM-Cutter Hsg With Bearings	33	135-2068	1	Guard-Tire
2:2	116-0720	2	Bearing-Ball	34	135-2067-03	1	Support-Flap, RH
2:3	116-3312	1	Spacer-Bearing	35	3230-22	2	Bolt-Carriage 5/16-18 X 1 Sp
3	116-3341	1	ASM-Spindle And Seal	36	104-8300	8	Nut-Nyloc 5/16-18 Flg
4	103-6394	1	Blade, Mulching	38	135-2653-03	1	Bracket-Shield Mount, Outer
5	103-1330	1	Guard-Bearing Top	39	126-6447	1	Belt-V
6	112-1479	1	Skid-Bumper, Deck	40	126-1503	2	Spring
7	135-2432	1	RH HOC Channel ASM	41	126-1504	2	Pin-Spring
7:2	135-2422	2	Plate-Guide, HOC (LH)	42	92-1298	4	Pin-Lynch
7:3	135-2423	2	Plate-Guide, HOC (RH)	43	126-8043	2	Shield-Dust
7:4	126-8760	2	Decal-Height Of Cut, RH	44	3234-42	1	Screw HHF 3/8-16 X 1
8	135-3788-01	1	Tube-HOC , RH	45	126-2956	1	Screw-HHF W/ Patch
9	1-633456	1	Bushing, Idler	46	135-2448-01	1	Baffle-Deflect, RH
10	126-7685	1	Idler-Pulley	47	135-0795-01	1	Baffle-Dogleg, RH
11	126-2960	1	Idler-V	48	135-0091	1	Flap-Rubber
12	126-6635	1	Sheave-Single 96Rd	49	3256-23	1	Washer-5/16 SAE
13	103-2802	1	Washer-Spring Disc 3/4	50	322-3	1	Screw-HH 5/16-18 X 3/4
14	116-7306	1	Nut-Hex ▲	51	3231-4	1	Bolt-Carriage 3/8-16 X 1 1/2
15	135-2460-01	1	Baffle-Depth, RH	52	3231-5	1	Bolt-Carriage 3/8-16 X 1 3/4
16	3231-12	8	Bolt-CARR	53	3231-2	4	Bolt-Carriage 3/8-16 X 1
17	3231-31	2	Bolt-Carriage 3/8-16 X 2 1/2	54	98-5975	2	Washer-Spring Disc 3/8
18	104-8301	2	Nut-Nyloc 3/8-16 Flg	55	107-1664	1	Lever ASM
19	109-6658	24	Nut-Nyloc 3/8-16 Flg	55:1	106-3239	1	Screw-Lock
20	103-3037	1	Bushing, Splined	55:2	107-1644	1	Cap-Lock
21	109-9220	1	Screw-Sems 1/2-20 X 2.19 ●	55:3	106-3241	1	Lever-Lock
22	135-2642	1	Wheel And Tire ASM	55:4	3296-29	1	Nut-Nyloc 5/16-18
22:3	126-7904	1	Axle-Caster	56	30-8770	1	Washer
22:4	116-4004	2	Bearing	57	99-5107	1	Nut-Lock 1/2-13
23	135-2424	1	Spacer	58	135-1816	1	RH Wing Shield ASM
24		1	ASM-Caster, 11"tire ■	58:2	93-6687	1	Decal-No Step
25	36-4780	2	Washer	58:3	135-3165	2	Decal-Scratch Cover
26	103-2768	2	Guard-Seal	59	135-2073	2	Pin-HOC
27	325-20	1	Screw-HH 1/2-13 X 6	60	3230-10	2	Bolt-Carriage 5/16-18 X 7/8
28	3296-45	1	Nut-Nyloc 1/2-13 Thin	61	110-9380	1	Screw-HWH
29	99-7203	1	Screw-HH	62	135-2611-01	1	Bracket-Cover Retainer
30	3231-11	1	Bolt-Carriage 3/8-16 X 3 1/2	63	114-1925	1	Bumper-Rubber
31	126-6115	1	Spacer-Wheel	64	1-811010	1	Plug

● Torque to 50-60 ft-lb
▲ Torque to 130-160 ft-lb

■ Not serviced separately

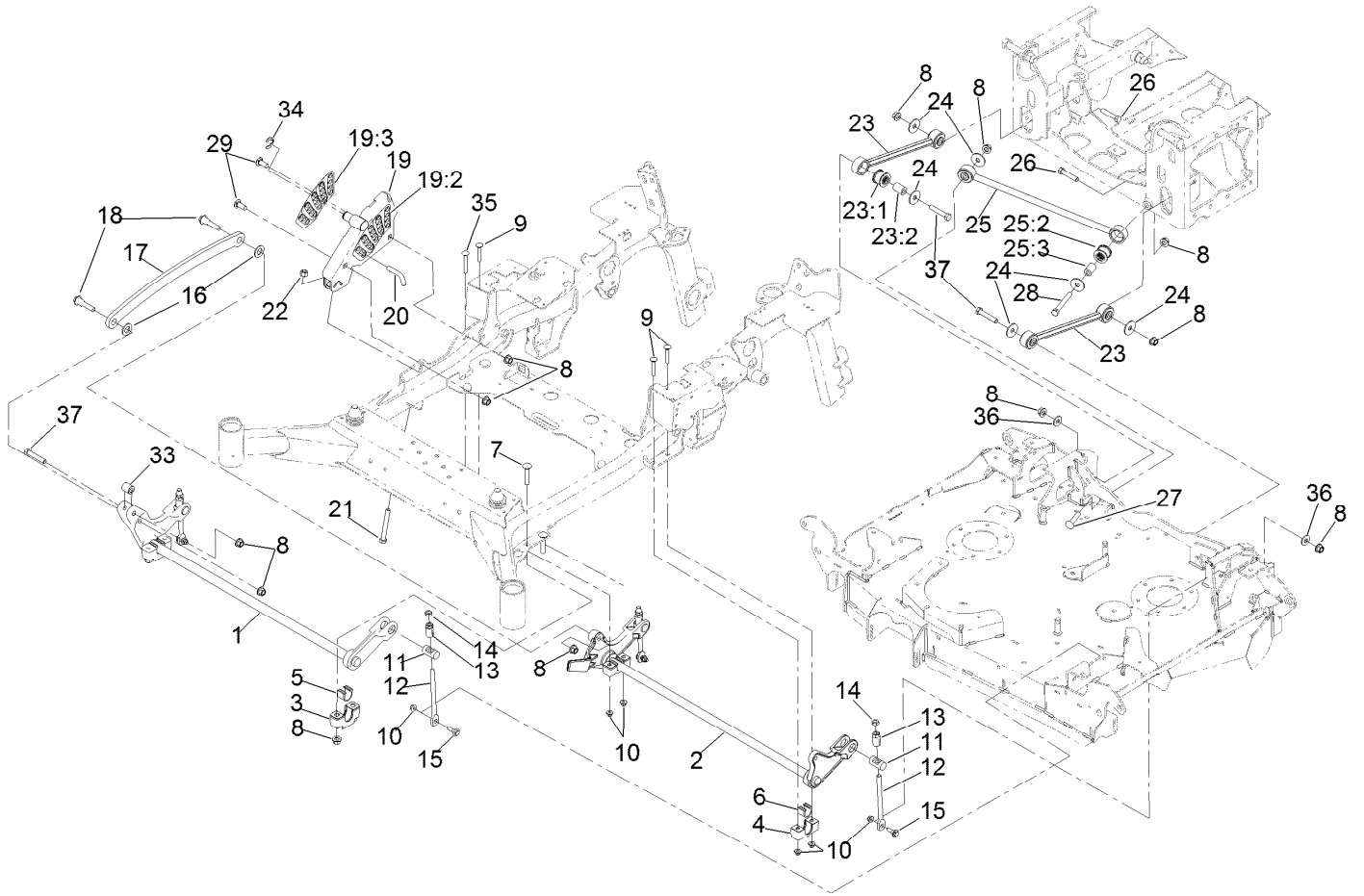
RH Wing Deck W/Decals Assembly



RH Wing Deck W/Decals Assembly (continued)

<i>Ref.</i>	<i>Part Number</i>	<i>Qty.</i>	<i>Description</i>	<i>Ref.</i>	<i>Part Number</i>	<i>Qty.</i>	<i>Description</i>
2	126-9154	1	Decal-Ultracut 96-Rd	4	135-0664	1	Decal-Danger, Thrown Object
3	112-9028	1	Decal-Cover, Missing	5	135-0670	1	Decal-Warning, Pinch Point

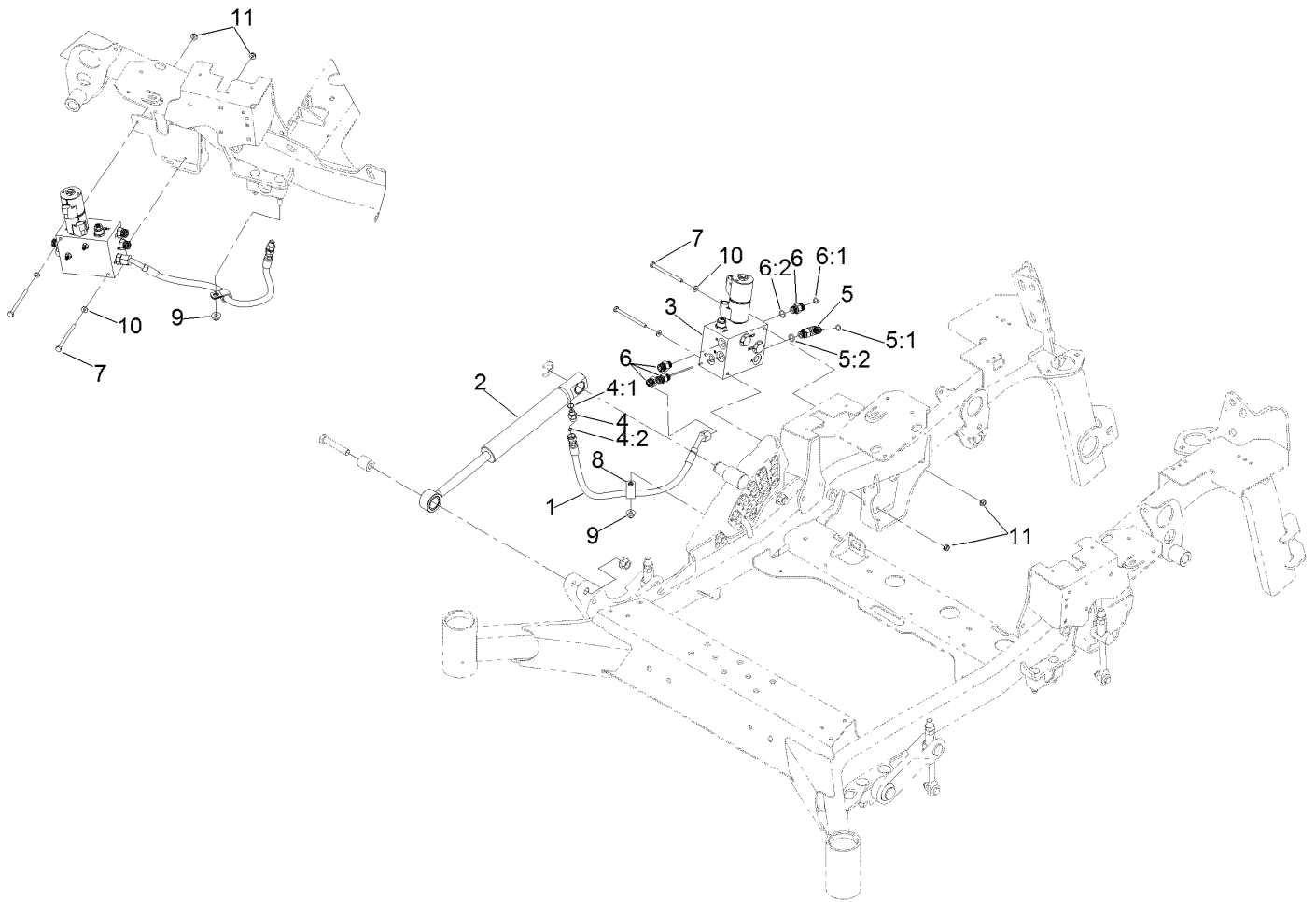
Deck Lift Assembly



Deck Lift Assembly (continued)

<i>Ref.</i>	<i>Part Number</i>	<i>Qty.</i>	<i>Description</i>	<i>Ref.</i>	<i>Part Number</i>	<i>Qty.</i>	<i>Description</i>
1	135-1216-03	1	Decklift-Front	19:2	126-9275	1	Decal-Height Of Cut
2	116-2645-03	1	Lift-Deck, Rear	19:3	135-1432	1	Decal-Height Of Cut, Outer
3	109-9409	2	Support-Cross Shaft, Bearing	20	116-5584	1	Pin-HOC
4	127-0553	2	Support-Cross Shaft, Bearing Rear	21	116-0559	1	Bolt-HH 1/2-13 X 4 Tap
5	109-9410	2	Bearing-Cross Shaft, Front	22	3296-23	1	Nut-Nyloc 1/2-13
6	109-7173	2	Bearing-Cross Shaft, Rear	23	109-0966	2	Deck Strut ASM
7	116-1700	4	Bolt-Carriage 1/2-13 X 2 1/2 Spl Neck	23:1	109-5009	2	Bushing-Suspension, Rubber
8	99-5107	15	Nut-Lock 1/2-13	23:2	109-5010	2	Spacer
9	3231-7	3	Bolt-Carriage 3/8-16 X 2 1/4	24	86-1990	6	Washer
10	104-8301	8	Nut-Nyloc 3/8-16 Flg	25	109-5013	1	Panhard Rod ASM
11	109-8353	4	Trunnion	25:2	109-5009	2	Bushing-Suspension, Rubber
12	109-8007	4	Link-Adjuster, Deck Lift	25:3	109-5010	2	Spacer
13	109-7840	4	Adjuster-Lift, Deck	26	325-10	2	Screw-HH 1/2-13 X 2 1/2
14	3218-5	4	Nut-Jam 1/2-13	27	3233-34	1	Bolt-Carriage 1/2-13 X 2 1/2
15	109-9840	4	Screw-Hex Flange 3/8-16 X .80	28	325-17	1	Screw-HH 1/2-13 X 4
16	3256-28	2	Washer-3/4 SAE	29	3233-26	2	Screw-CARR, Short Neck
17	116-0797-03	1	Link-Lift, Deck	33	135-1215	1	Spacer-Pivot
18	116-2022	2	Screw-Hex Flange 1/2-13 X 1.90	34	32151-91	1	Ring-Retaining
19	126-7866	1	HOC ASM	35	3231-9	1	Bolt-Carriage 3/8-16 X 2 3/4
				36	1-513435	2	Washer-Spring Disc 1/2
				37	325-11	3	Screw-HH 1/2-13 X 2 3/4

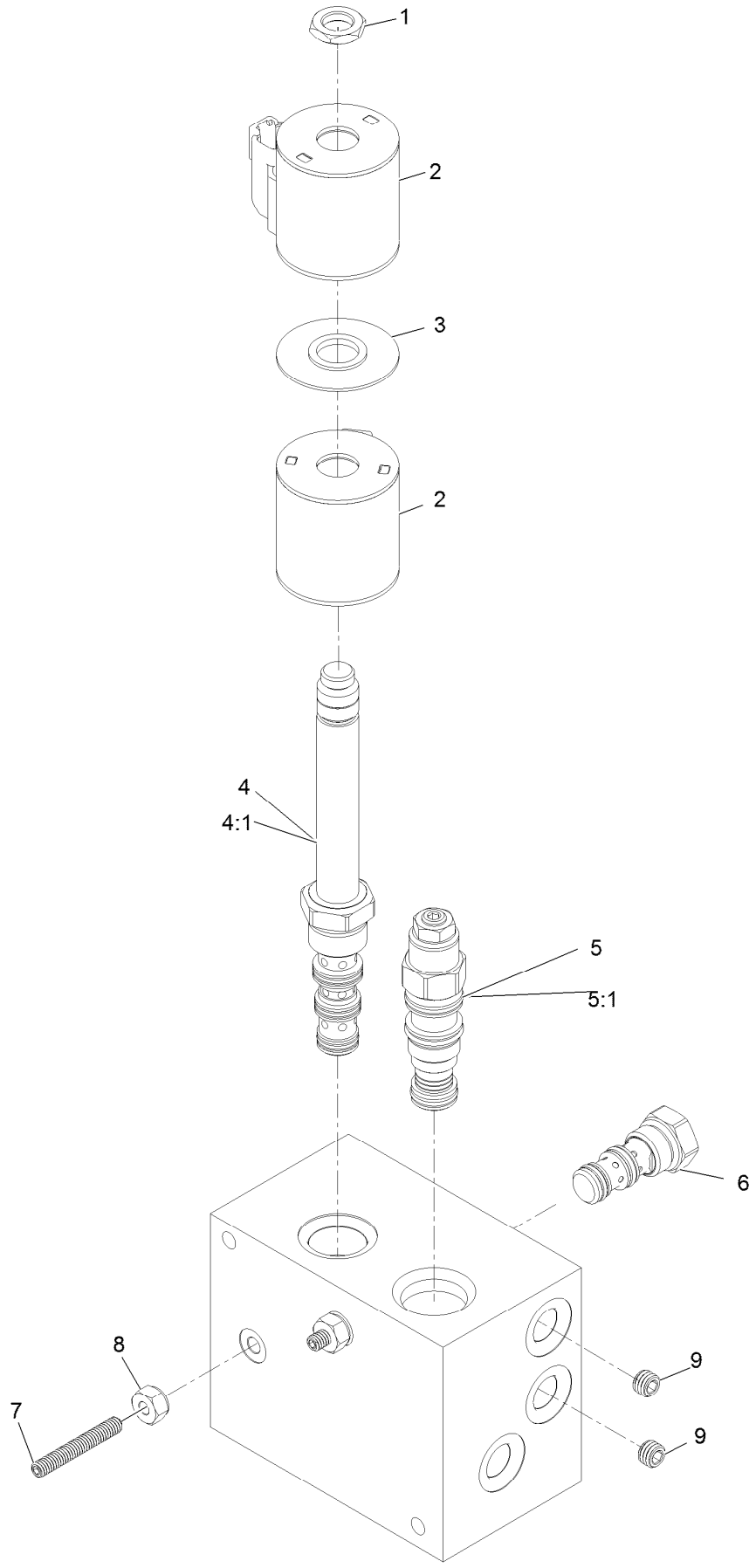
Wing Deck Hydraulic Lift Assembly



Wing Deck Hydraulic Lift Assembly (continued)

<i>Ref.</i>	<i>Part Number</i>	<i>Qty.</i>	<i>Description</i>	<i>Ref.</i>	<i>Part Number</i>	<i>Qty.</i>	<i>Description</i>
1	126-8683	1	Hose ASM	5:2	237-42	1	O-Ring
2	126-7841	1	Cylinder-Lift	6	340-2	4	Fitting-Straight
3	109-0967	1	*obs* Lift And Fold Valve Assembly	6:1	237-22	1	O-Ring
4	126-8692	1	Fitting-HYD, Straight	6:2	237-42	1	O-Ring
4:1	237-78	1	O-Ring	7	321-19	2	Screw-HH
4:2	237-21	1	O-Ring	8	1-633396	1	Clip-Loom 5/8
5	340-77	1	Fitting-Elbow, 90 DEG	9	104-8301	1	Nut-Nyloc 3/8-16 Flg
5:1	237-22	1	O-Ring	10	3256-16	2	Washer-#12 Std
				11	32128-33	2	Nut-Whizlock 1/4-20

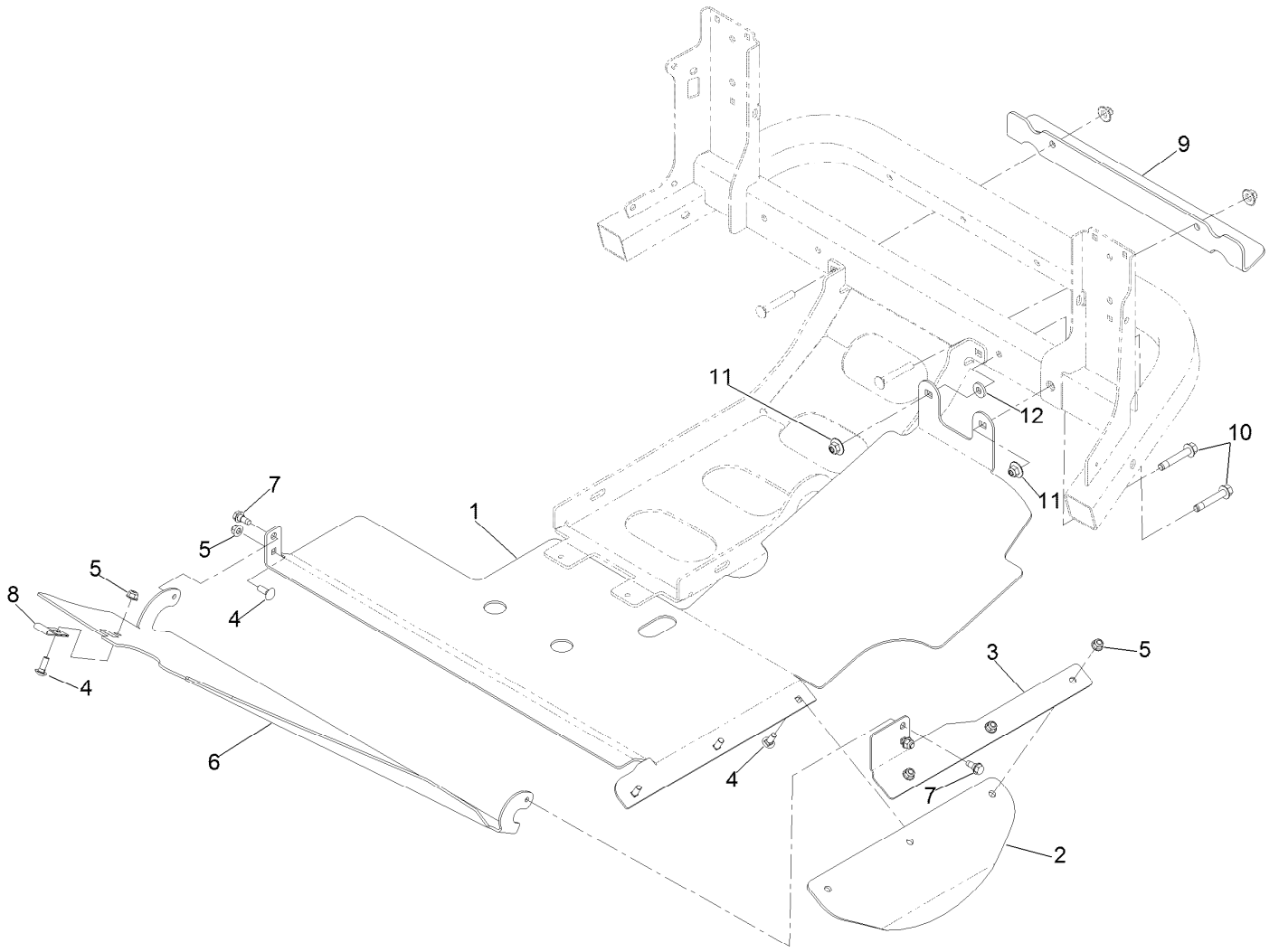
Manifold Assembly



Manifold Assembly (continued)

<i>Ref.</i>	<i>Part Number</i>	<i>Qty.</i>	<i>Description</i>	<i>Ref.</i>	<i>Part Number</i>	<i>Qty.</i>	<i>Description</i>
1	110-2634	1	Nut-Coil	5:1	114-5083	1	Seal Kit
2	115-3021	2	Coil-12V	6	135-4547	2	Valve-Check, Po
3	117-8316	1	Spacer-E Coil	7	135-4544	2	Screw-Set
4	135-4546	1	Solenoid Valve ASM	8	135-4545	2	Nut-Sealing, Hex
4:1	110-8908	1	Spool Valve Seal Kit	9	110-8889	2	Plug-Orifice (0.020)
5	135-4543	1	Valve-Counterbalance				

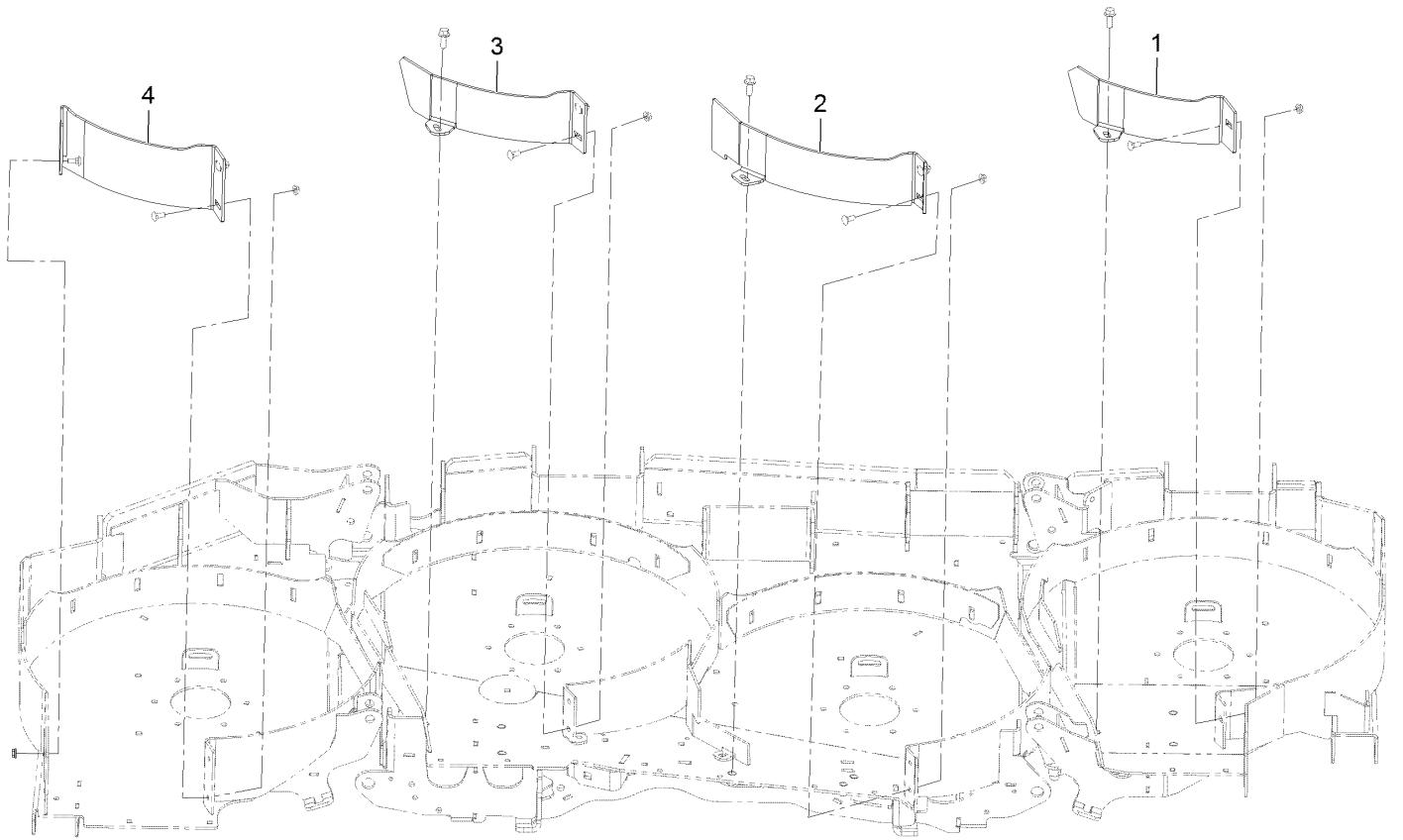
Discharge Tunnel Assembly



Discharge Tunnel Assembly (continued)

<i>Ref.</i>	<i>Part Number</i>	<i>Qty.</i>	<i>Description</i>	<i>Ref.</i>	<i>Part Number</i>	<i>Qty.</i>	<i>Description</i>
1	135-2089-03	1	Plate-Discharge	7	126-4424	2	Screw-Shoulder
2	135-0050	1	Flap-Rubber	8	135-0608	1	Bearing-Strap, Nylon
3	135-2090-03	1	Bracket-Flap, LH	9	135-2092-03	1	Bracket-Tie Down
4	3230-16	6	Bolt-Carriage 5/16-18 X 7/8	10	126-2956	2	Screw-HHF W/ Patch
5	104-8300	6	Nut-Nyloc 5/16-18 Flg	11	109-6658	2	Nut-Nyloc 3/8-16 Flg
6	135-2617-03	1	Panel-Discharge	12	43-0940	1	Spacer

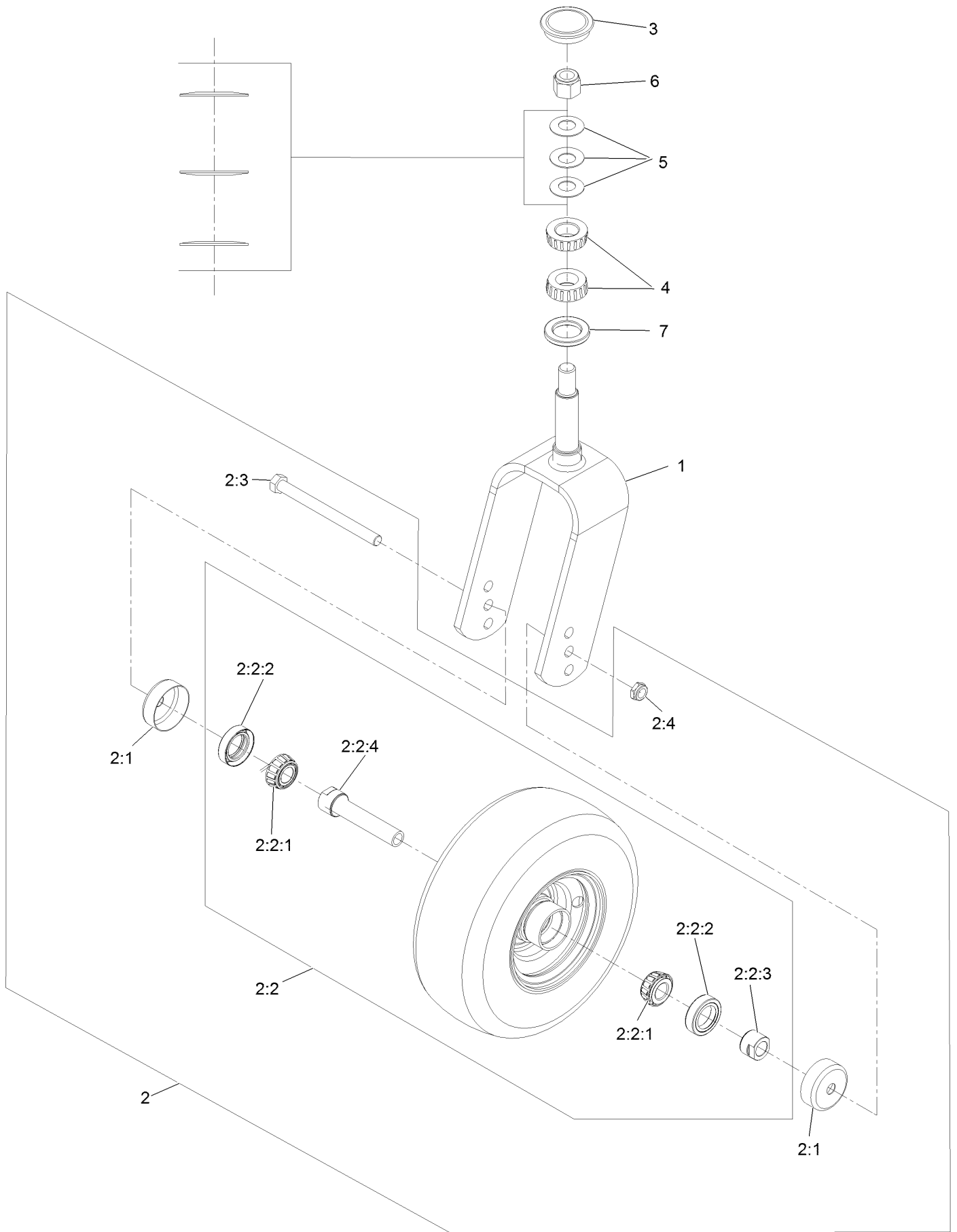
Mulch Kit Assembly



Mulch Kit Assembly (continued)

<i>Ref.</i>	<i>Part Number</i>	<i>Qty.</i>	<i>Description</i>	<i>Ref.</i>	<i>Part Number</i>	<i>Qty.</i>	<i>Description</i>
1	135-3461-01	1	Baffle-Block, LH Wing	3	135-3463-01	1	Baffle-Block, RH Ctr
2	135-3462-01	1	Baffle-Block, LH Ctr	4	135-3540-01	1	Baffle-Block, RH Wing

Caster Tire Assembly

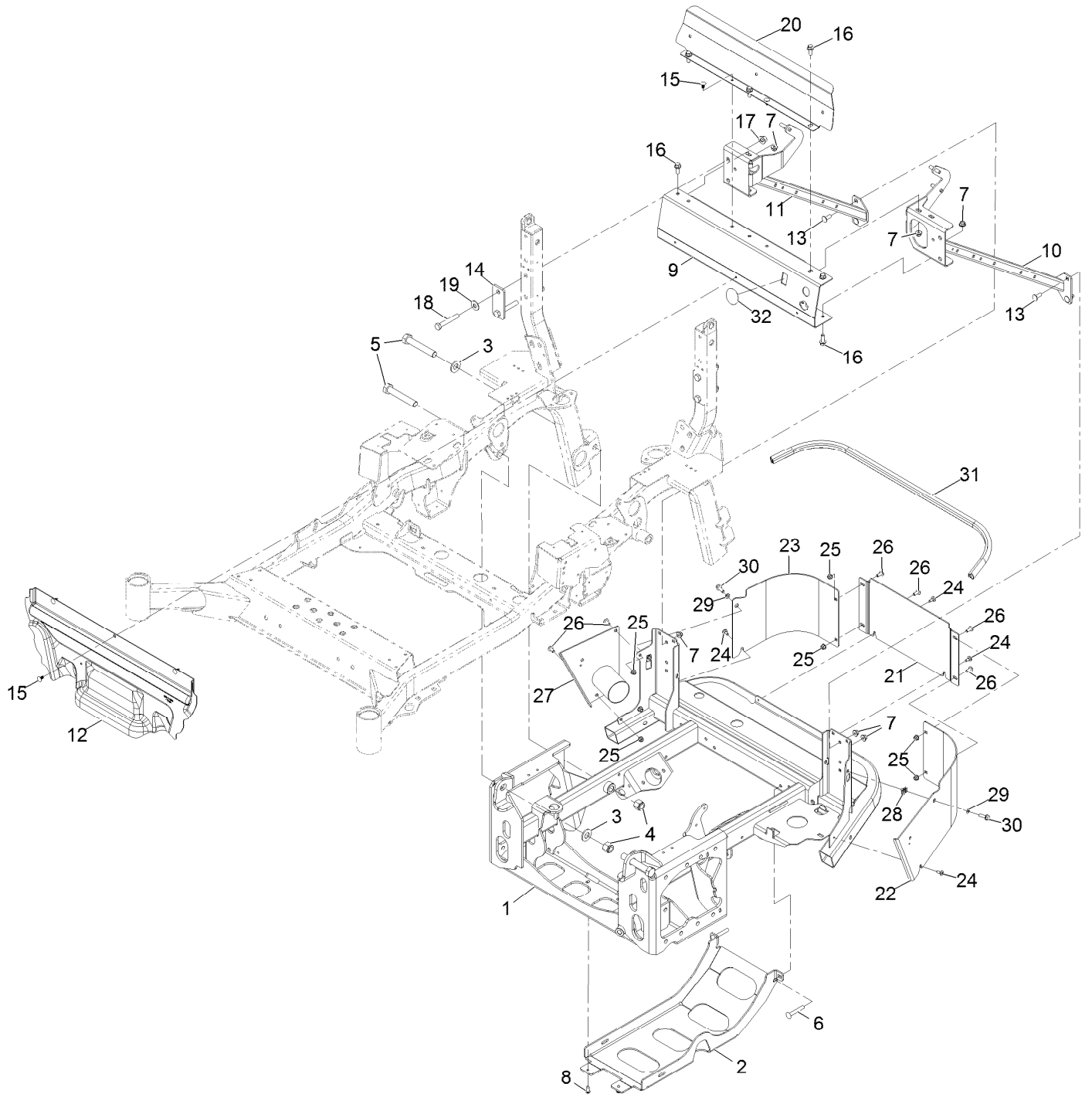


Caster Tire Assembly (continued)

<i>Ref.</i>	<i>Part Number</i>	<i>Qty.</i>	<i>Description</i>	<i>Ref.</i>	<i>Part Number</i>	<i>Qty.</i>	<i>Description</i>
1	135-3794-01	1	Caster-Fork [red]	2:3	325-20	1	Screw-HH 1/2-13 X 6
2	109-3524	1	Asm, Wheel And Bearings	2:4	3296-45	1	Nut-Nyloc 1/2-13 Thin
2:1	103-2768	2	Guard-Seal	3	103-4882	1	Cap-Grease
2:2		1	Wheel And Bearing ASM ●	4	1-543509	2	Cone-Bearing Tapered Roller
2:2:1	1-633585	2	Bearing-Cone Tapered Roller	5	1-633508	3	Washer-Spring Disc
2:2:2	103-0063	2	Seal-Double Lip	6	3296-51	1	Nut-Nyloc 3/4-10
2:2:3	103-3051	1	Spacer-Nut	7	1-543511	1	Seal-Grease
2:2:4	126-5359	1	Caster Axle ASM				

● Not serviced separately

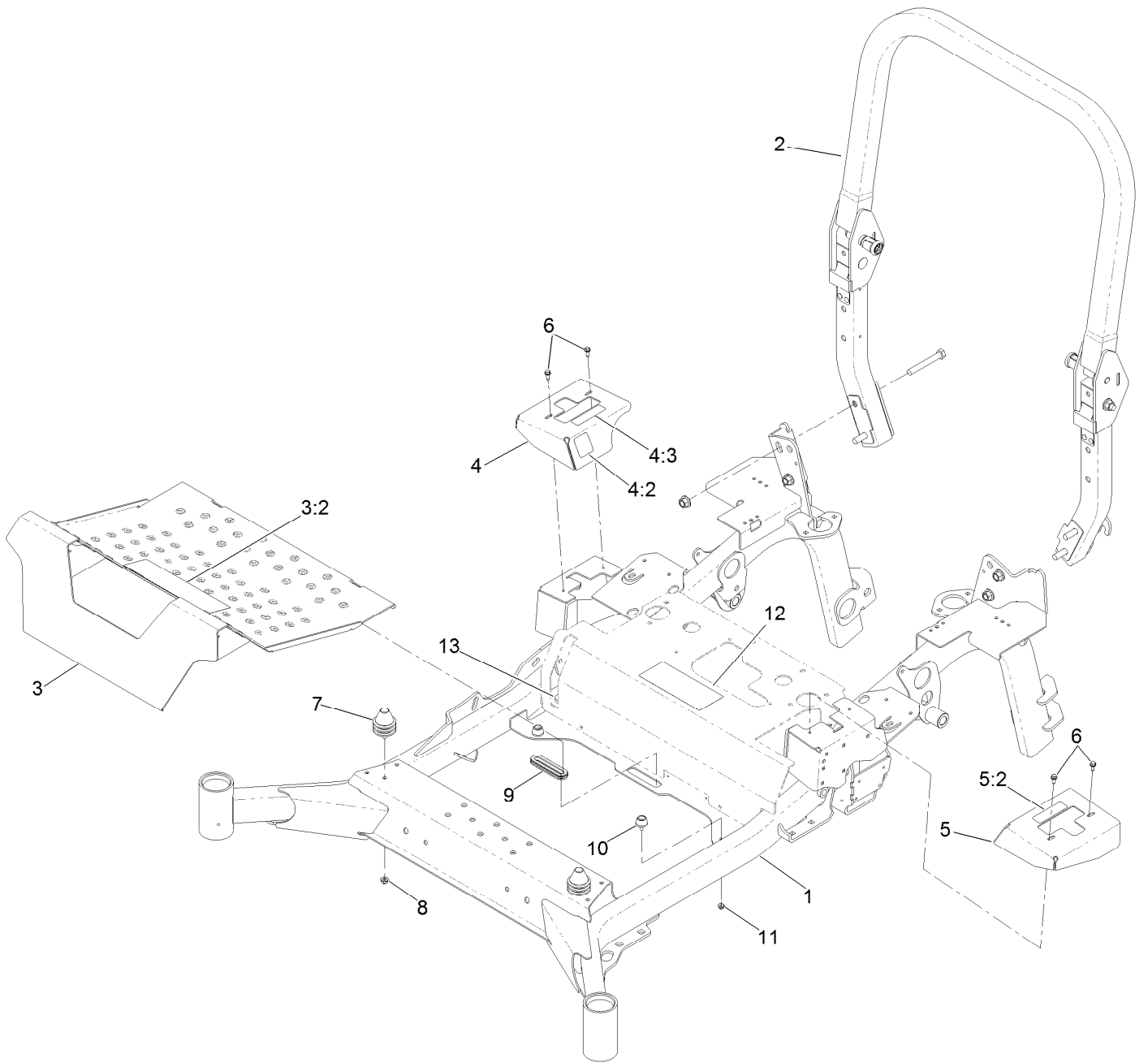
Power Frame Assembly



Power Frame Assembly (continued)

<i>Ref.</i>	<i>Part Number</i>	<i>Qty.</i>	<i>Description</i>	<i>Ref.</i>	<i>Part Number</i>	<i>Qty.</i>	<i>Description</i>
1	126-5929-03	1	Frame-Power	18	112-7264	4	Screw-HH
2	126-5922-03	1	Plate-Skid	19	109-9505	4	Washer, Spring Disc 1/2
3	103-2802	4	Washer-Spring Disc 3/4	20	126-6557-03	1	Shield-Air
4	3296-51	4	Nut-Nyloc 3/4-10	21	126-8954-03	1	Plate-Bumper, Center
5	328-8	4	Screw-HH	22	126-8952-03	1	Plate-Bumper, LH
6	3231-44	2	Bolt-Carriage 3/8-16 X 2 1/2	23	126-8953-03	1	Plate-Bumper, RH
7	104-8301	13	Nut-Nyloc 3/8-16 Flg	24	120-7950	4	Screw-1/4-20 X 1/2 Tf Torx Plus
8	613381	2	Screw-Button Head 5/16-18 X .725 Tf	25	104-8300	7	Nut-Nyloc 5/16-18 Flg
9	126-8567-03	1	Channel-Cross	26	126-6268	7	Screw-Truss HD 5/16-18 X 3/4 Torx Plus
10	126-8563-03	1	Brace-ROPS, LH	27	135-0880	1	Plate-Exhaust
11	126-8565-03	1	Brace-ROPS, RH	28	112-3306	2	Nut
12	126-7458	1	Panel-Deflector, Heat	29	3290-475	2	Washer-Belleville
13	3231-22	4	Bolt-Carriage 3/8-16 X 1	30	3234-29	2	Screw-HH Flg 5/16-18 X 1
14	135-0412-03	2	Plate-Spacer	31	126-6845	1	Seal-Bulb
15	117-2382	5	Plug-Plastic	32	135-3728	1	Decal-Cover
16	131-2220	7	Screw-HHF				
17	99-5107	4	Nut-Lock 1/2-13				

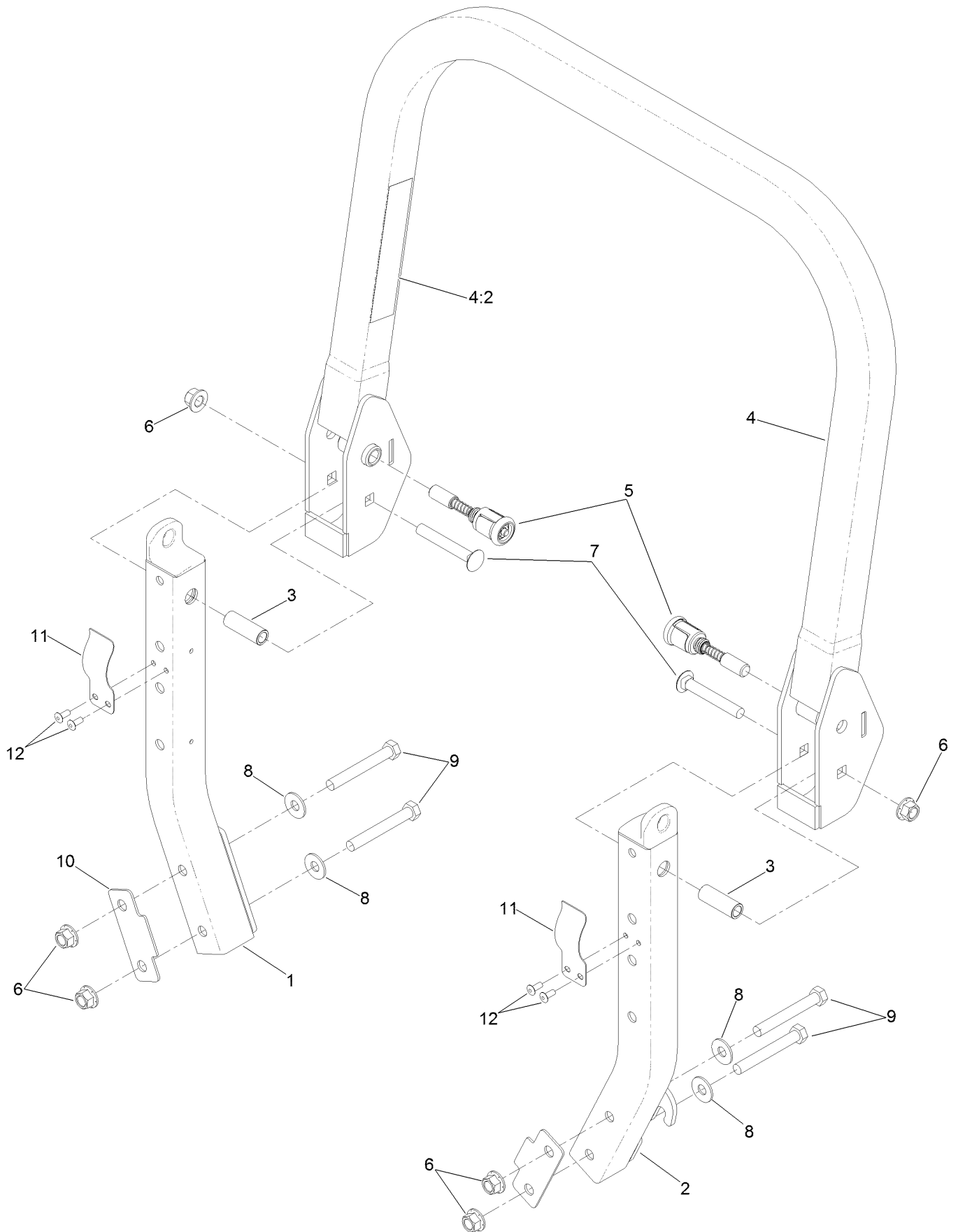
Frame Assembly



Frame Assembly (continued)

<i>Ref.</i>	<i>Part Number</i>	<i>Qty.</i>	<i>Description</i>	<i>Ref.</i>	<i>Part Number</i>	<i>Qty.</i>	<i>Description</i>
1	126-7749-01	1	Frame-Main	6	32144-10	4	Screw-HWH
2	126-6138	1	ROPS ASM	7	126-5491	2	Isolator
3	126-9066	1	Pan-Floor	8	104-8300	2	Nut-HF, NI
3:2	126-8383	1	Decal-Danger	9	126-7065	1	Grommet-Rubber
4	126-1831	1	Cover-Motion Control, RH	10	109-2365	2	Bumper-Rubber
4:2	99-8936	1	Decal-Control, Motion	11	104-7201	2	Nut-HF
4:3	116-5988	1	Decal-Park Brake, CE	12	126-9947	1	Decal-Service Aid
5	126-1821	1	Cover-Motion Control, LH	13	109-9233	1	Bumper-Push-In, Rubber
5:2	99-8936	1	Decal-Control, Motion				

Roll-Over Protection System Assembly

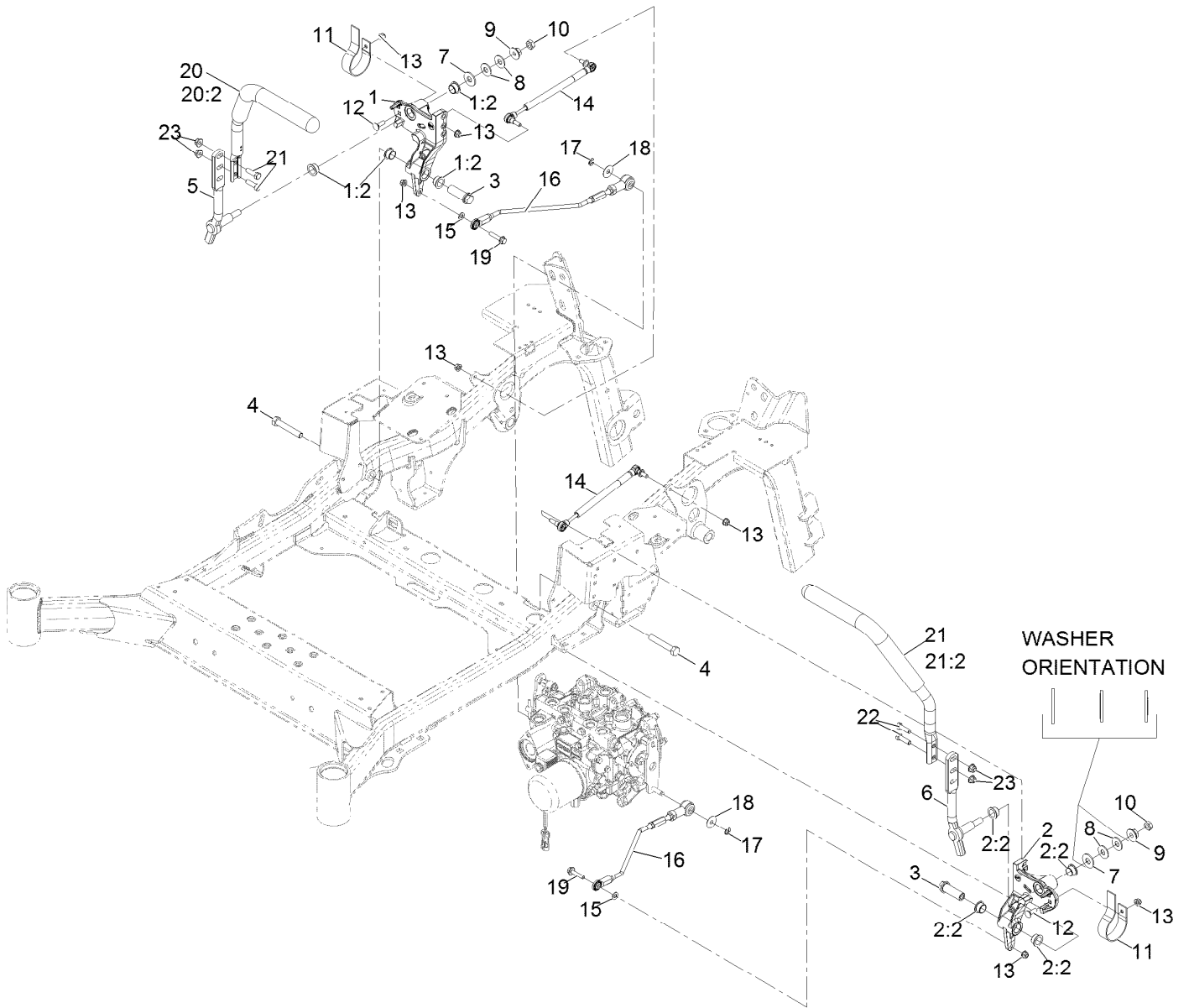


Roll-Over Protection System Assembly (continued)

<i>Ref.</i>	<i>Part Number</i>	<i>Qty.</i>	<i>Description</i>	<i>Ref.</i>	<i>Part Number</i>	<i>Qty.</i>	<i>Description</i>
1		1	Lower-ROPS, RH ●	7	3233-10	2	Bolt-Carriage 1/2-13 X 3 1/2
2		1	Lower-ROPS, LH ●	8	109-9505	4	Washer, Spring Disc 1/2
3	109-6653	2	Spacer	9	325-35	4	Screw-HH
4	126-7085	1	ROPS Upper ASM	10	116-0960	2	Spacer
4:2	107-3069	1	Decal-Warning	11	110-5696	2	Spring-Leaf
5	116-0104	2	Pin-Spring	12	3290-412	4	Rivet-Blind
6	99-5107	6	Nut-Lock 1/2-13				

● Not serviced separately

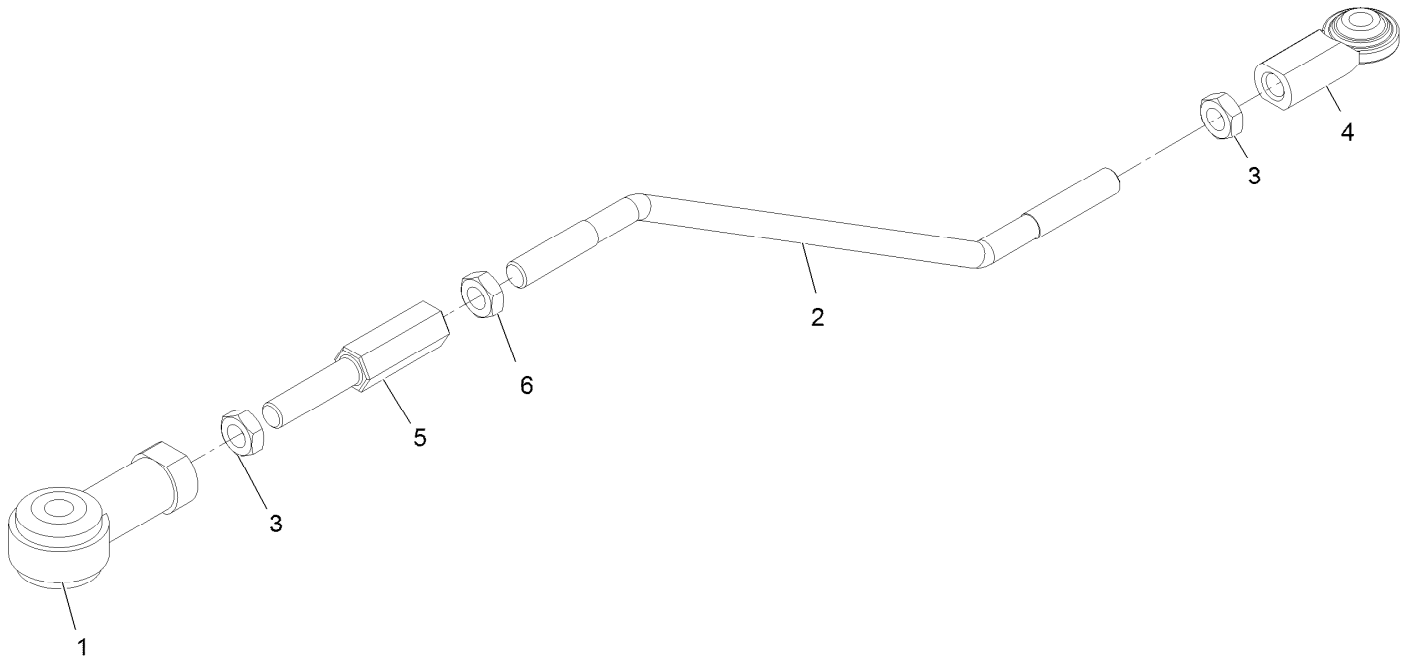
Motion Control Assembly



Motion Control Assembly (continued)

<i>Ref.</i>	<i>Part Number</i>	<i>Qty.</i>	<i>Description</i>	<i>Ref.</i>	<i>Part Number</i>	<i>Qty.</i>	<i>Description</i>
1	116-0880	1	RH Motion Control And Bushing ASM	12	3230-2	2	Bolt-Carriage 5/16-18 X 1
1:2	109-8054	4	Bushing-Flanged	13	104-8300	8	Nut-Nyloc 5/16-18 Flg
2	116-0881	1	LH Motion Control And Bushing ASM	14	116-0027	2	Damper-Control, Motion
2:2	109-8054	4	Bushing-Flanged	15	3256-23	2	Washer-5/16 SAE
3	109-5891	2	Hub-Threaded	16	126-6131	2	Front Linkage Rod ASM
4	325-12	2	Screw-HH 1/2-13 X 3	17	32151-47	2	Ring-Retaining
5	116-0039	1	Lever-Control Motion, RH	18	105-6814	2	Washer-Plain
6	116-0040	1	Lever-Control Motion, LH	19	115-1794	2	Screw-Hex Flange 5/16-18 X 1 1/2
7	3256-6	2	Washer	20	126-7700	1	RH Steering Handle ASM
8	109-9505	4	Washer, Spring Disc 1/2	20:2	109-5668	1	Grip-Control, Lever
9	32128-56	2	Nut-Hex 1/2-13 Flange	21	126-7699	1	LH Steering Handle ASM
10	3218-5	2	Nut-Jam 1/2-13	21:2	109-5668	1	Grip-Control, Lever
11	109-5575	2	Spring-Leaf	22	323-7	4	Screw-HH 3/8-16 X 1 1/4
				23	104-8301	4	Nut-Nyloc 3/8-16 Flg

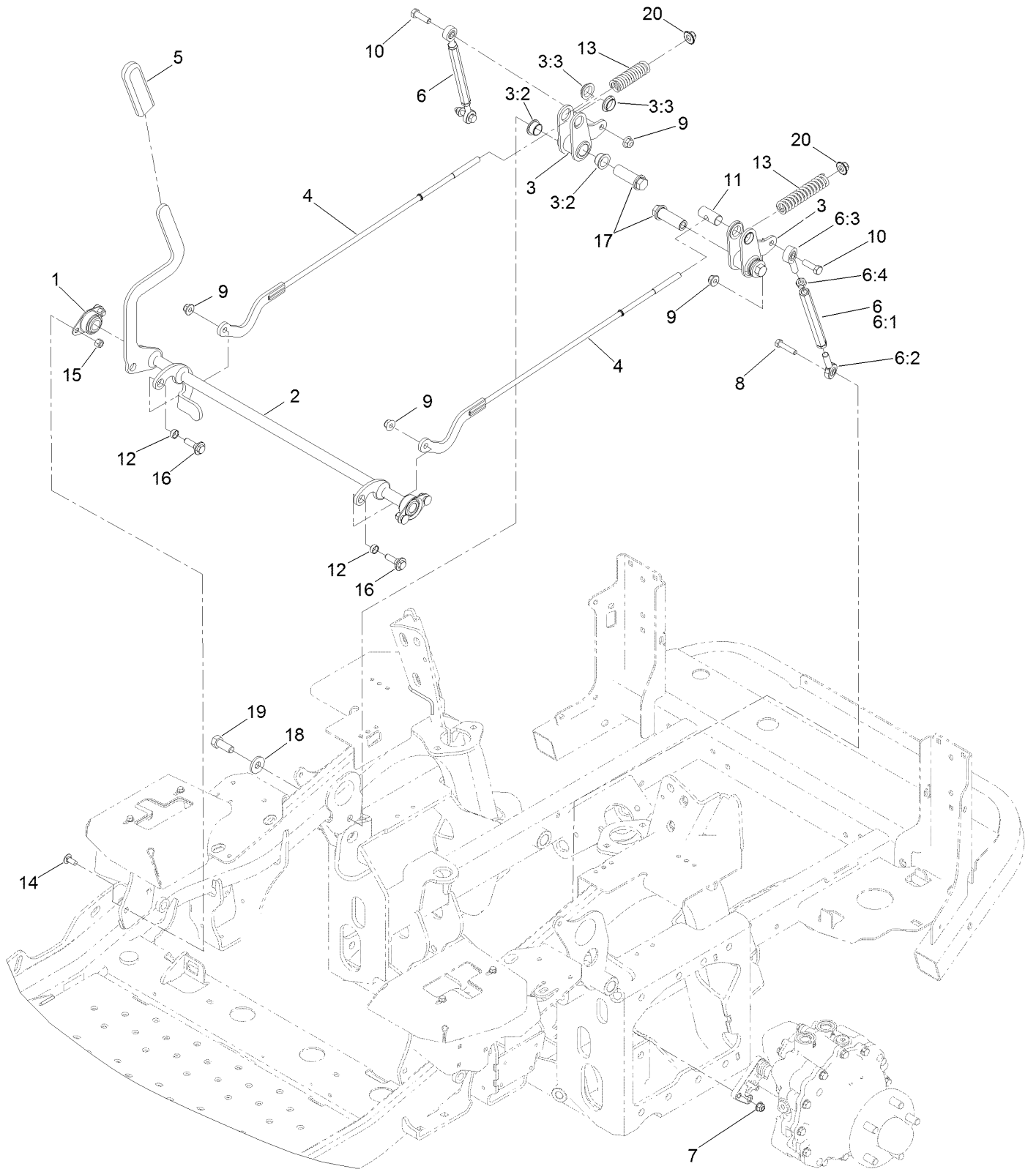
Rod Linkage Assembly



Rod Linkage Assembly (continued)

<i>Ref.</i>	<i>Part Number</i>	<i>Qty.</i>	<i>Description</i>	<i>Ref.</i>	<i>Part Number</i>	<i>Qty.</i>	<i>Description</i>
1	105-7199	1	End-Rod, Isolated	4	103-2463	1	Balljoint
2	126-6469	1	Rod-Linkage, Rear	5	116-4755	1	Rod-Adjustment
3	3220-3	2	Nut-Jam 3/8-24	6	3220-16	1	Nut-Jam 3/8-24 LH

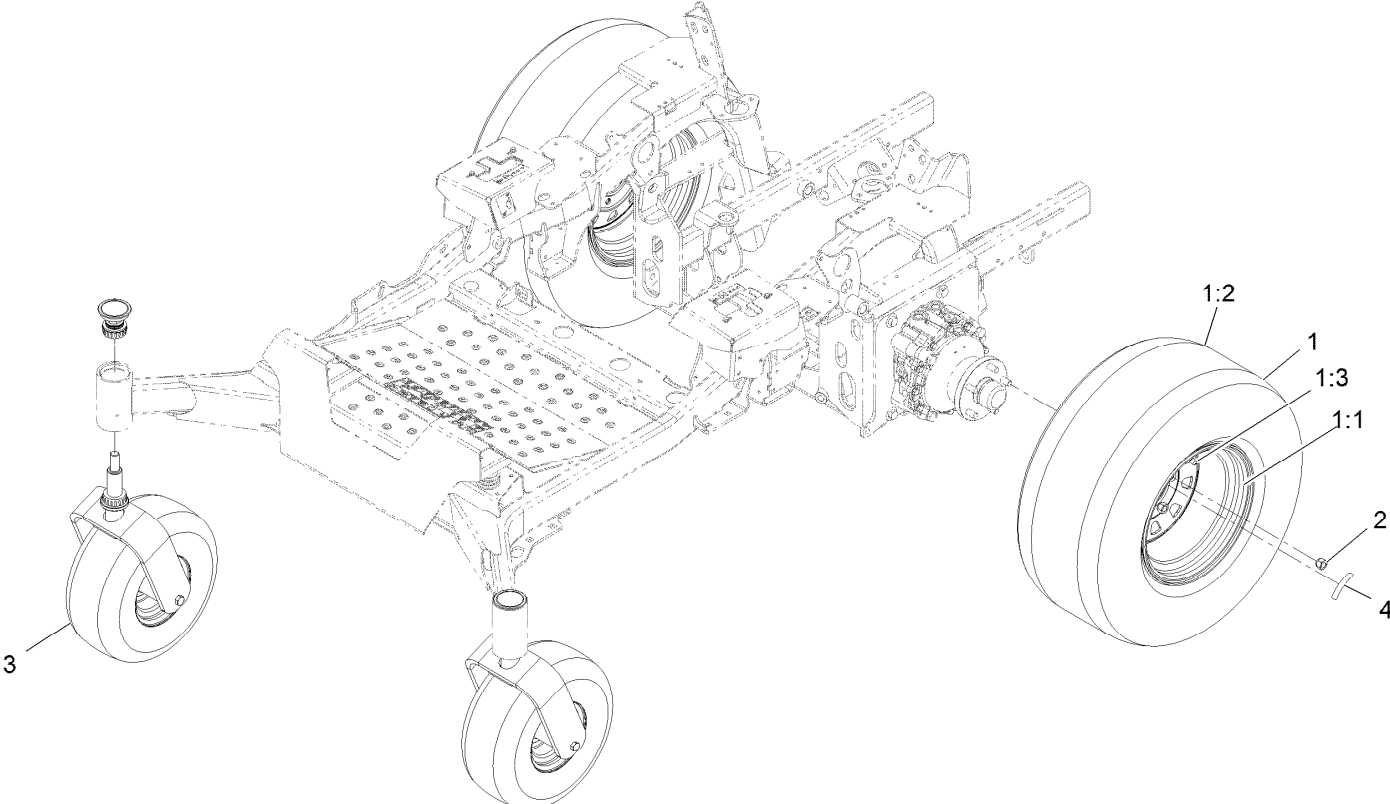
Parking Brake Assembly



Parking Brake Assembly (continued)

<i>Ref.</i>	<i>Part Number</i>	<i>Qty.</i>	<i>Description</i>	<i>Ref.</i>	<i>Part Number</i>	<i>Qty.</i>	<i>Description</i>
1	1-633102	2	Bearing-Flange, Side	8	322-7	2	Screw-HH
2	126-2019	1	Shaft-Brake	9	104-8301	4	Nut-HF, NI
3	126-3010	2	Brake Bellcrank ASM	10	323-7	2	Screw-HH
3:2	109-8054	2	Bushing-Flange	11	1-633144	2	Pin-Trunion
3:3	135-2840	2	Bushing-Flange	12	133-5109	2	Bearing-Sleeve
4	126-3193	2	Link-Brake, Upper	13	109-2230	2	Spring-Compression
5	1-633268	1	Grip-Lever	14	3230-23	4	Screw-CARR
6	126-9171	2	Turnbuckle ASM	15	3296-29	4	Nut-Lock, NI
6:1	126-9172	1	Turnbuckle	16	614672	2	Screw-Shoulder, HWH
6:2	126-9302	1	Bearing-End, LH Rod	17	109-5891	2	Hub-Threaded
6:3	1-613204	1	Balljoint	18	1-513435	2	Washer-Spring
6:4	3220-3	1	Nut-HJ	19	325-5	2	Screw-HH
7	104-8300	2	Nut-HF, NI	20	109-6658	2	Nut-Flange, NI

Rear Wheel Assembly

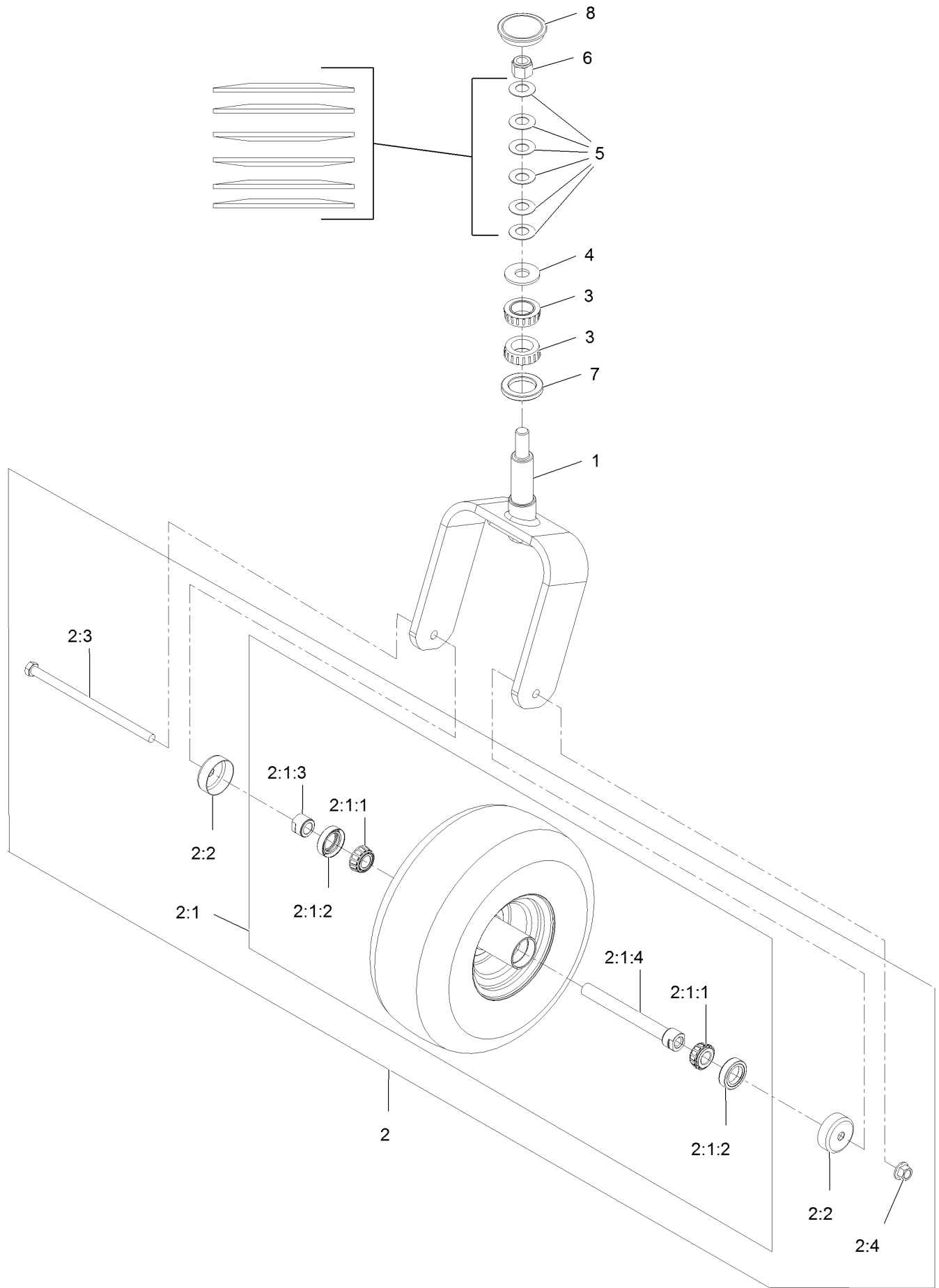


Rear Wheel Assembly (continued)

<i>Ref.</i>	<i>Part Number</i>	<i>Qty.</i>	<i>Description</i>	<i>Ref.</i>	<i>Part Number</i>	<i>Qty.</i>	<i>Description</i>
1	126-7750	2	ASM-Tire 26X12-12, 1.0 Offset	1:3	232-27	1	Stem-Valve
1:1	126-8031	1	Rim ASM, 1.0 Offset	2	242-50	10	Nut-Lug 1/2-20
1:2	126-8033	1	Tire	3		2	ASM, Wheel Caster ●
				4	135-0328	2	Decal-Torque, Wheel Nut

● Not serviced separately

Caster Wheel and Fork Assembly

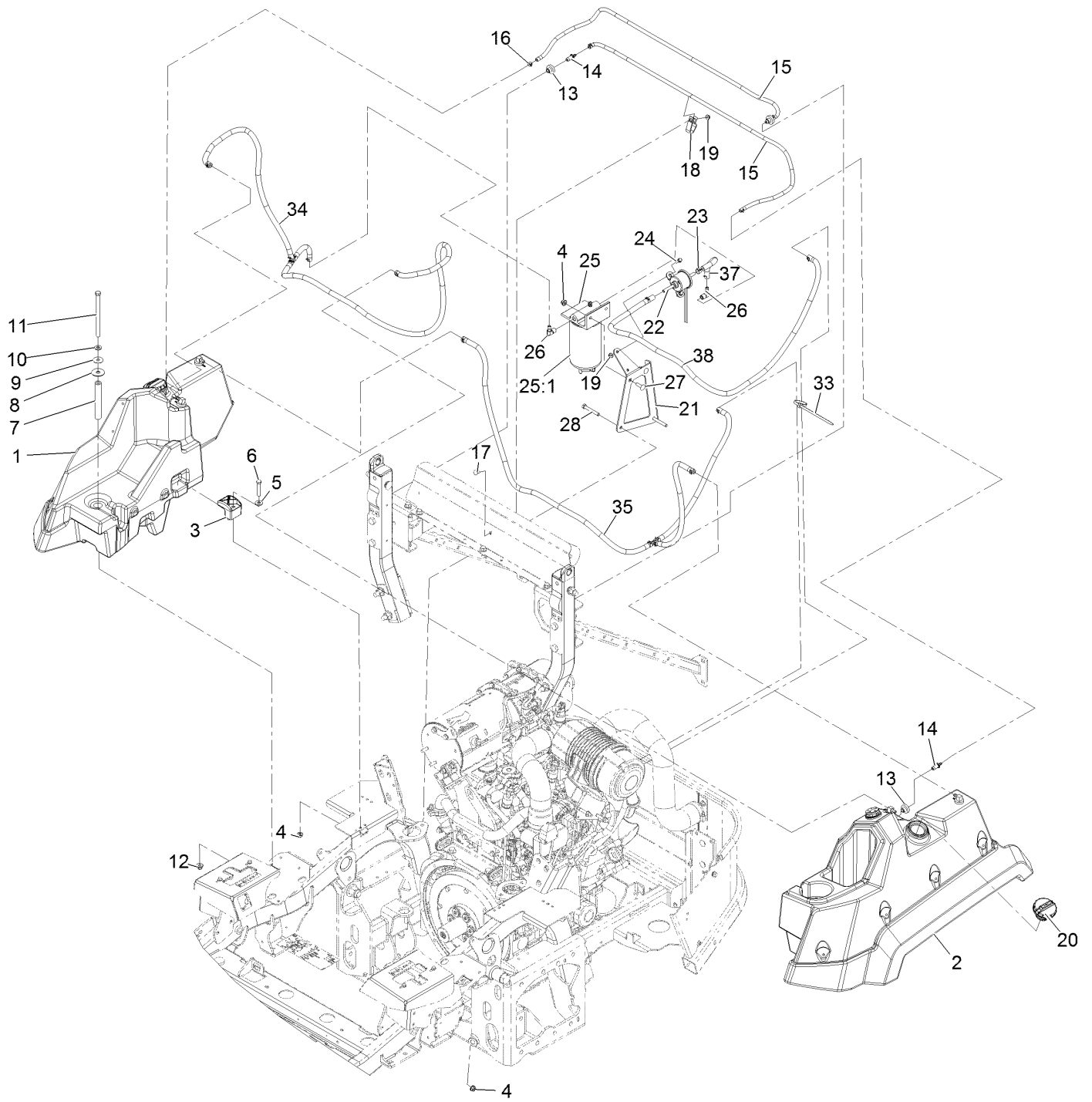


Caster Wheel and Fork Assembly (continued)

<i>Ref.</i>	<i>Part Number</i>	<i>Qty.</i>	<i>Description</i>	<i>Ref.</i>	<i>Part Number</i>	<i>Qty.</i>	<i>Description</i>
1	126-8601-01	1	Fork-Caster	2:3	325-39	1	Screw-HH 1/2-13 X 9 1/2
2	126-8157	1	ASM-Whl And Tire	2:4	99-5107	1	Nut-Lock 1/2-13
2:1		1	ASM-Whl And Tire ●	3	103-9028	2	Cone-Bearing Taper Roller
2:1:1	1-633585	2	Bearing-Cone Tapered Roller	4	3256-8	1	Washer
2:1:2	103-0063	2	Seal-Double Lip	5	1-633508	6	Washer-Spring Disc
2:1:3	103-3051	1	Spacer-Nut	6	3296-51	1	Nut-Nyloc 3/4-10
2:1:4	126-5361	1	Axle Caster ASM	7	135-0355	1	Seal-Grease
2:2	103-2768	2	Guard-Seal	8	126-9369	1	Cap-Grease

● Not serviced separately

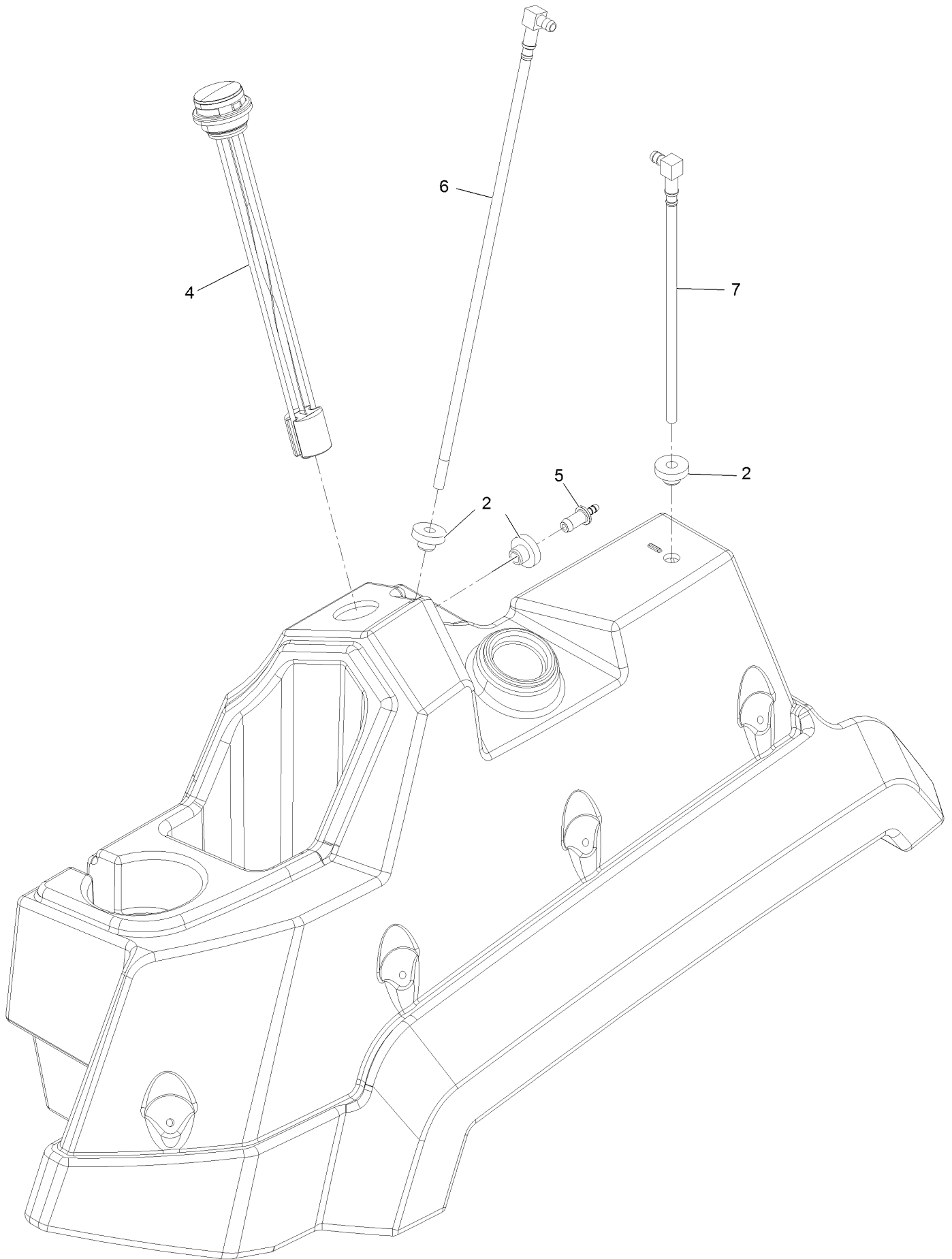
Fuel Assembly



Fuel Assembly (continued)

<i>Ref.</i>	<i>Part Number</i>	<i>Qty.</i>	<i>Description</i>	<i>Ref.</i>	<i>Part Number</i>	<i>Qty.</i>	<i>Description</i>
1	126-8651	1	RH Fuel Tank ASM	19	104-7201	5	Nut-Nyloc 1/4-20 Flg
2	126-8652	1	LH Fuel Tank ASM	20	135-2715	2	Cap-Fuel, Diesel
3	107-4543	4	Clamp	21	126-8795-03	1	Bracket-Filter, Fuel
4	104-8300	8	Nut-Nyloc 5/16-18 Flg	22	121-5613	1	Pump-Fuel, Electric
5	3256-3	4	Washer-5/16 Std	23	92-2379	4	Clamp-Hose
6	322-21	4	Screw-HH	24	32105-15	2	Screw-Machine 1/4-20 X 3/4
7	126-8335	2	Tube-Spacer	25	125-2914	1	Separator Filter ASM
8	95-1905	2	Washer-Rubber	25	126-8294	1	Filter-Water/Fuel Separator
9	105-6814	2	Washer-Plain	25:1	125-2915	1	Filter-Fuel/Water Separator
10	3256-24	2	Washer-3/8 SAE	26	353-781	2	Fitting-HYD, 90
11	323-22	2	Screw-HH	27	3230-22	2	Bolt-Carriage 5/16-18 X 1 Sp
12	104-8301	2	Nut-Nyloc 3/8-16 Flg	28	322-11	2	Screw-HH 5/16-18 X 2 1/4
13	46-6560	2	Bushing	33	1-303335	1	Tie-Cable 7 15/16 (Large)
14	116-4630	2	Fitting-Orifice, Straight	34	135-0512	1	Fuel Suction Line ASM
15	117-6395	2	Hose-Vent, Tank	35	135-0513	1	Fuel Return Line ASM
16	2412-80	4	Clamp-Hose	37	108-3280	1	Hose-Fuel
17	3229-11	3	Bolt-Carriage 1/4-20 X 5/8	38	110-7503	1	Hose-Fuel
18	92-5753	3	Clamp-Hose				

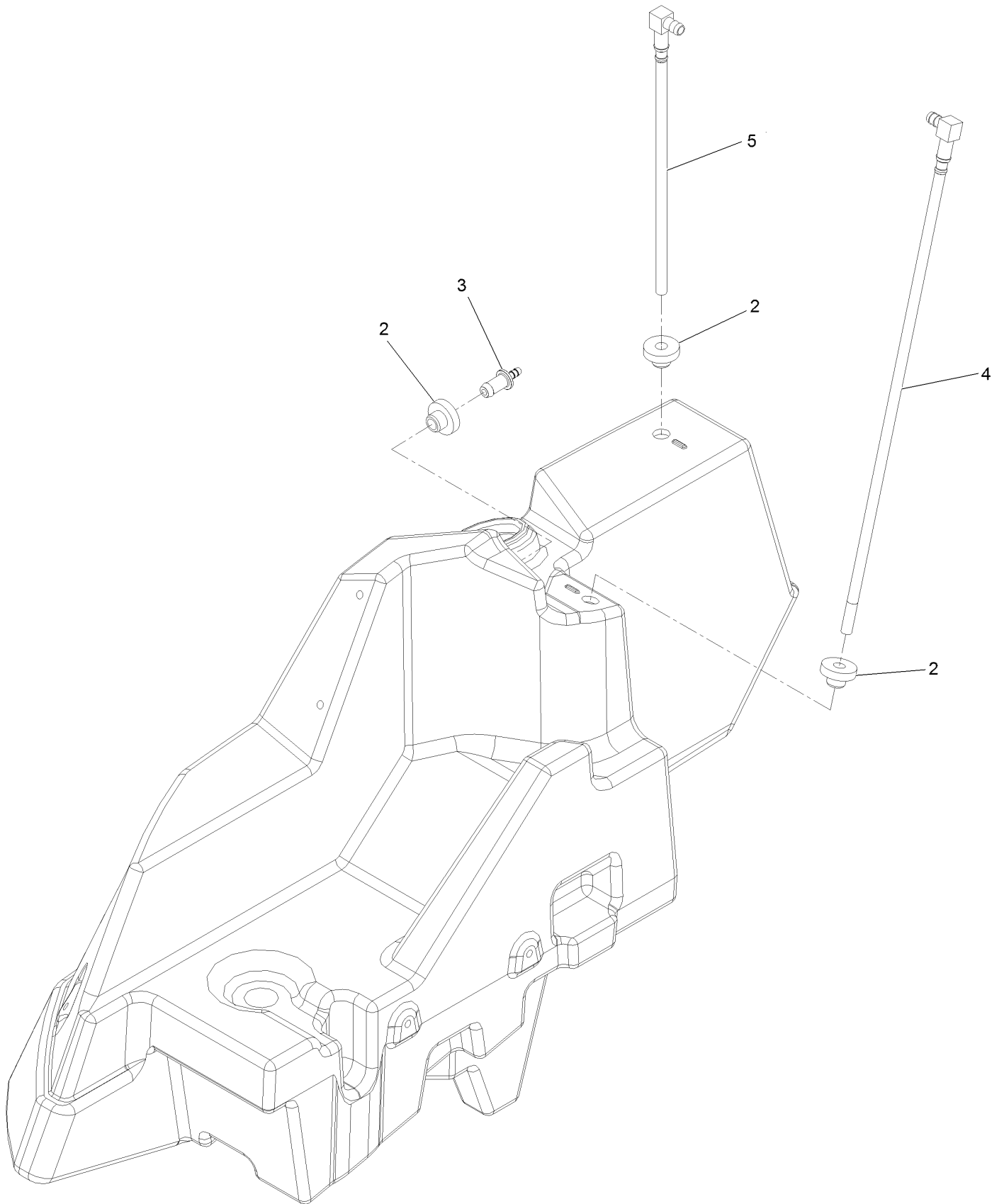
LH Fuel Tank Assembly



LH Fuel Tank Assembly (continued)

<i>Ref.</i>	<i>Part Number</i>	<i>Qty.</i>	<i>Description</i>	<i>Ref.</i>	<i>Part Number</i>	<i>Qty.</i>	<i>Description</i>
2	46-6560	3	Bushing	6	126-8647	1	Pick-Up-Fuel
4	126-8660	1	Gauge-Fuel	7	126-8649	1	Return-Fuel
5	116-4630	1	Fitting-Orifice, Straight				

RH Fuel Tank Assembly

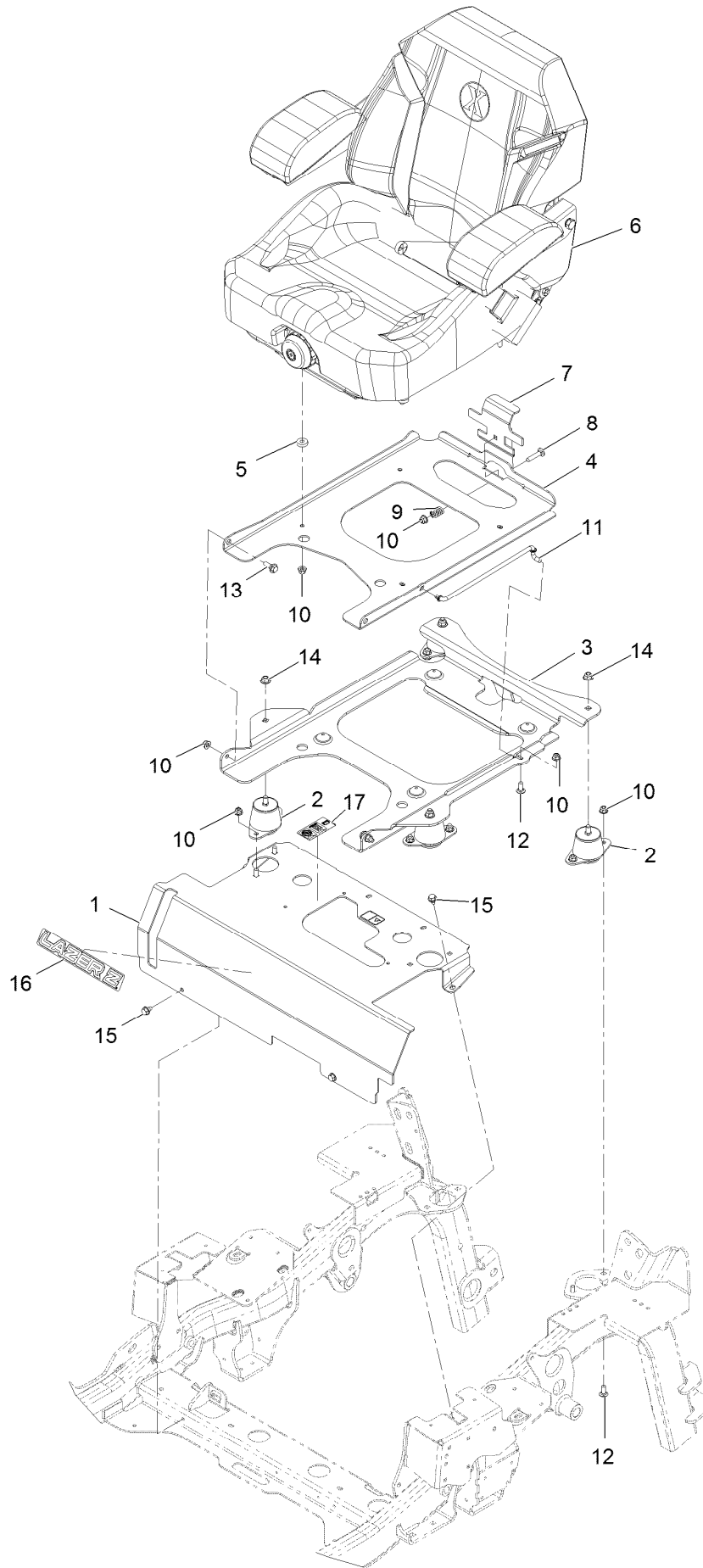


RH Fuel Tank Assembly (continued)

<i>Ref.</i>	<i>Part Number</i>	<i>Qty.</i>	<i>Description</i>
2	46-6560	3	Bushing
3	116-4630	1	Fitting-Orifice, Straight

<i>Ref.</i>	<i>Part Number</i>	<i>Qty.</i>	<i>Description</i>
4	126-8647	1	Pick-Up-Fuel
5	126-8649	1	Return-Fuel

Seat Assembly



Seat Assembly (continued)

<i>Ref.</i>	<i>Part Number</i>	<i>Qty.</i>	<i>Description</i>	<i>Ref.</i>	<i>Part Number</i>	<i>Qty.</i>	<i>Description</i>
1	126-7286	1	Seat Mount ASM	10	104-8300	16	Nut-Nyloc 5/16-18 Flg
2	109-9034	4	Isolator-Seat	11	116-0070	1	Rod-Prop
3	126-2701-03	1	Plate-Support, Tilt Seat	12	3230-23	9	Bolt-Carriage 5/16-18 X 3/4 Short Neck
4	126-2700-03	1	Plate-Frame, Seat	13	116-1297	2	Screw-Shoulder
5	26-4840	4	Spacer-Pin, Mounting	14	104-8301	4	Nut-Nyloc 3/8-16 Flg
6	116-8912	1	Kit-Suspension Seat	15	9266934	4	Screw-HWH 5/16 X 1/2 Tf
7	126-1855-03	1	Plate, Seat Latch	16	126-6574	1	Decal, Lazer Model
8	3230-4	1	Bolt-Carriage 5/16-18 X 1 1/2	17	135-2838	1	Decal-Trans Fluid
9	107-3017	1	Spring-Compression				

Seat Assembly (cont.)

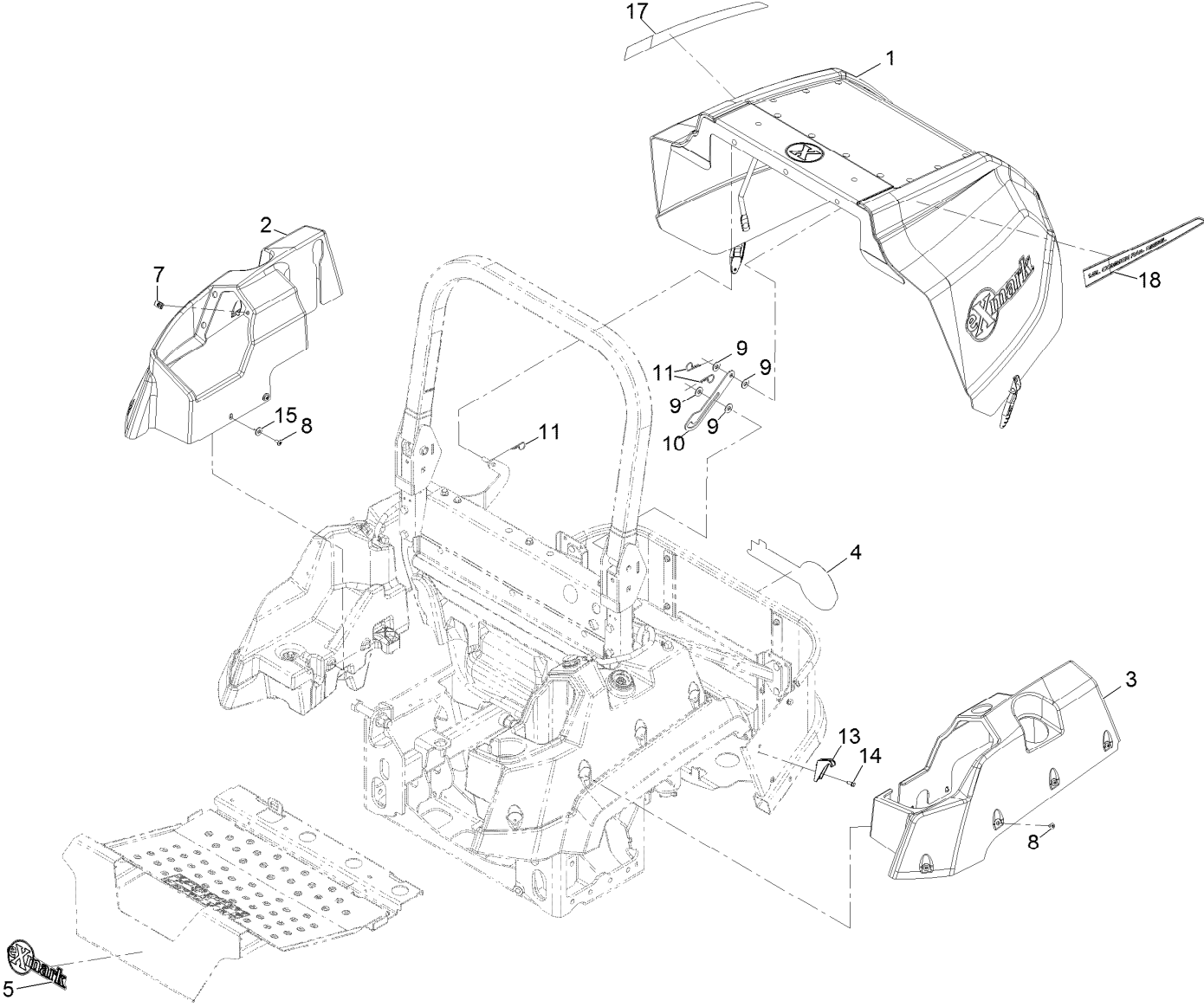


Seat Assembly (cont.) (continued)

<i>Ref.</i>	<i>Part Number</i>	<i>Qty.</i>	<i>Description</i>	<i>Ref.</i>	<i>Part Number</i>	<i>Qty.</i>	<i>Description</i>
2	116-8910	1	Seat Track Set	7	126-2061	1	Seat Belt Service Kit
3	116-8908	1	Cover-Back 311463Vn500	8	116-8906	1	Kit-Arm Rest Set
4	116-8909	1	Cover-Cushion 311464Vn500	9	116-8905	1	Kit-Arm Rest Pads
5	116-8911	1	Knob-Adjuster	10	82-2190	1	Switch
6	116-5659	1	Cover-Suspension Bellows	11	116-9329	4	Spacer
				12	126-9918-03	2	Stop, Seat ●

● Used on Diesel models only

Hood and Console Assembly

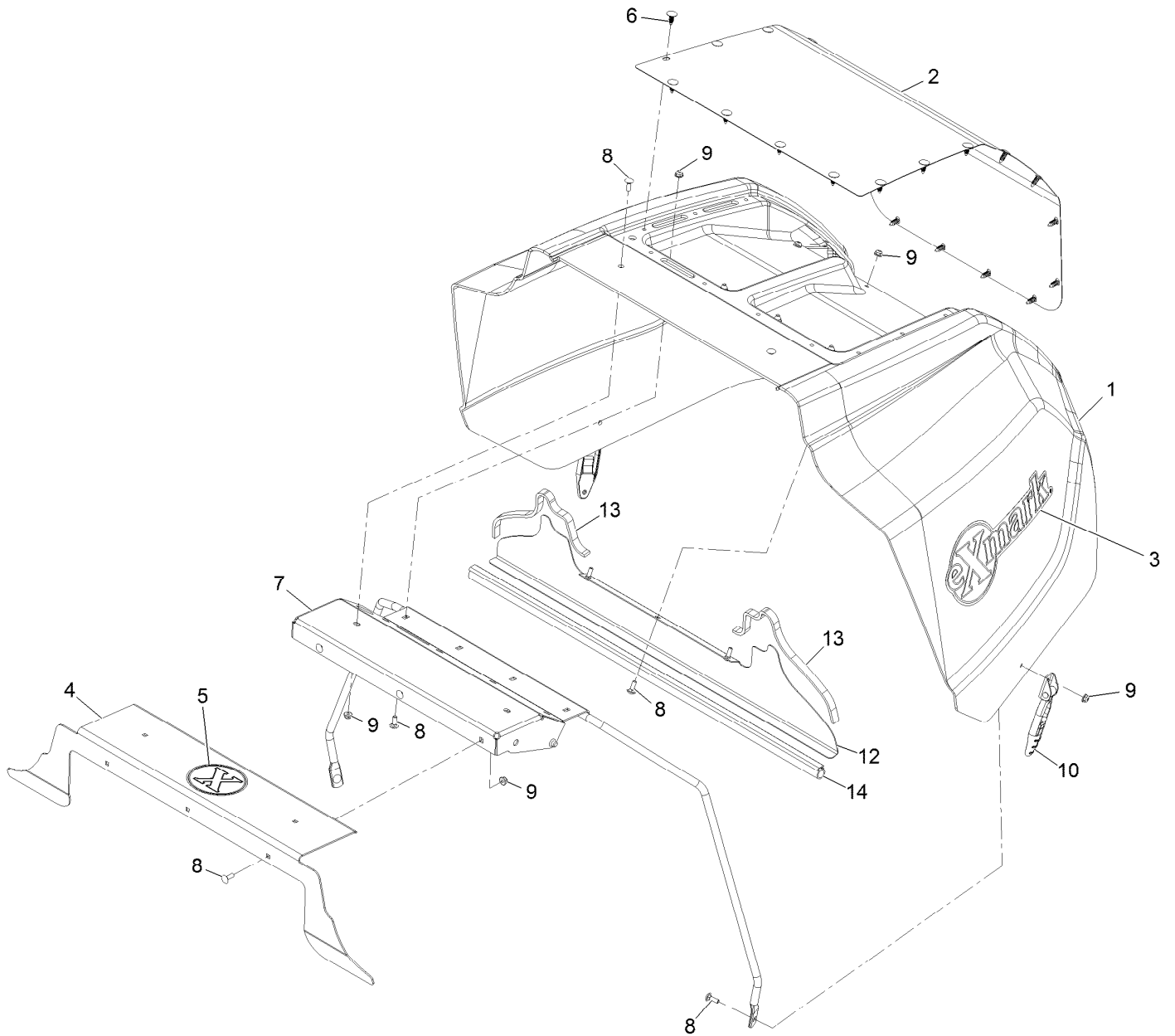


Hood and Console Assembly (continued)

<i>Ref.</i>	<i>Part Number</i>	<i>Qty.</i>	<i>Description</i>	<i>Ref.</i>	<i>Part Number</i>	<i>Qty.</i>	<i>Description</i>
1		1	Hood ASM ●	11	3290-255	3	Pin-Cotter, Hair
2	126-6787	1	Cover-Tank, RH	13	126-8672	2	Latch-Catch
3	126-6790	1	Cover-Tank, LH	14	32144-10	2	Screw-HWH 1/4-20 X .62
4	126-6992	1	Decal-Exmark	15	3256-71	4	Washer
5	135-2274	1	Decal-Exmark	17	135-3167	1	Decal-Common Rail Diesel-RH
7	107069	1	Nut-Retainer-Panel 1/4-20	18	135-3166	1	Decal-Common Rail Diesel-LH
8	126-8216	12	Screw-Torx				
9	3256-4	4	Washer-3/8 Std				
10	120-9129	1	Prop-Hood				

● Not serviced separately

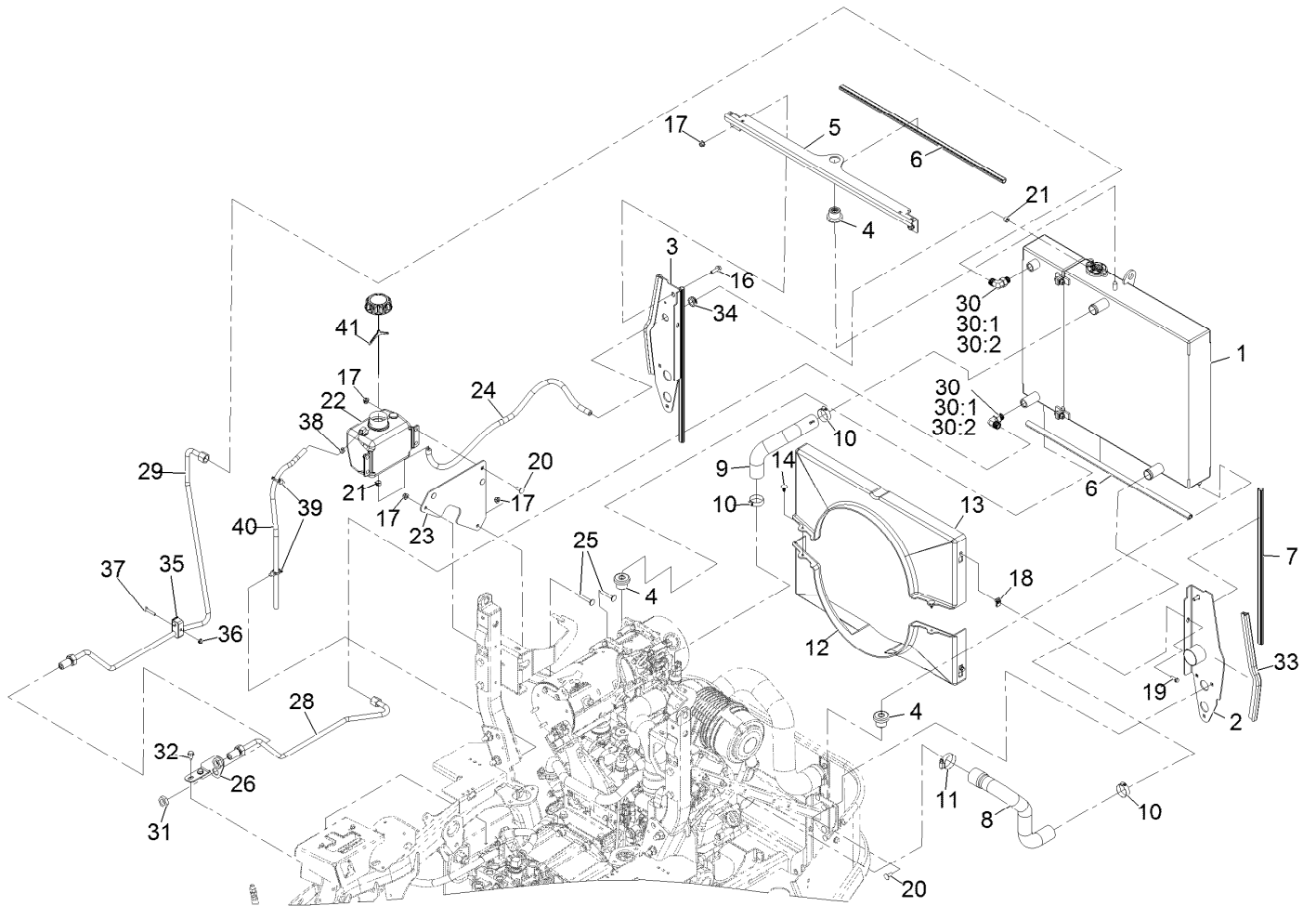
Hood Assembly (cont.)



Hood Assembly (cont.) (continued)

<i>Ref.</i>	<i>Part Number</i>	<i>Qty.</i>	<i>Description</i>	<i>Ref.</i>	<i>Part Number</i>	<i>Qty.</i>	<i>Description</i>
1	126-6784	1	Hood	8	3229-1	14	Bolt-Carriage 1/4-20 X 3/4
2	126-6785-03	1	Screen-Intake	9	104-7201	14	Nut-Nyloc 1/4-20 Flg
3	126-6992	2	Decal-Exmark	10	103-2898	2	Latch-Rubber
4	126-8648-03	1	Hood-Block Off	12	126-6849-03	1	Plate-Seal
5	126-7457	1	Decal-X-Logo	13	126-6848	2	Seal-Foam
6	117-2382	22	Plug-Plastic	14	126-6846	1	Seal-Bulb
7	126-6524-03	1	Support-Hood				

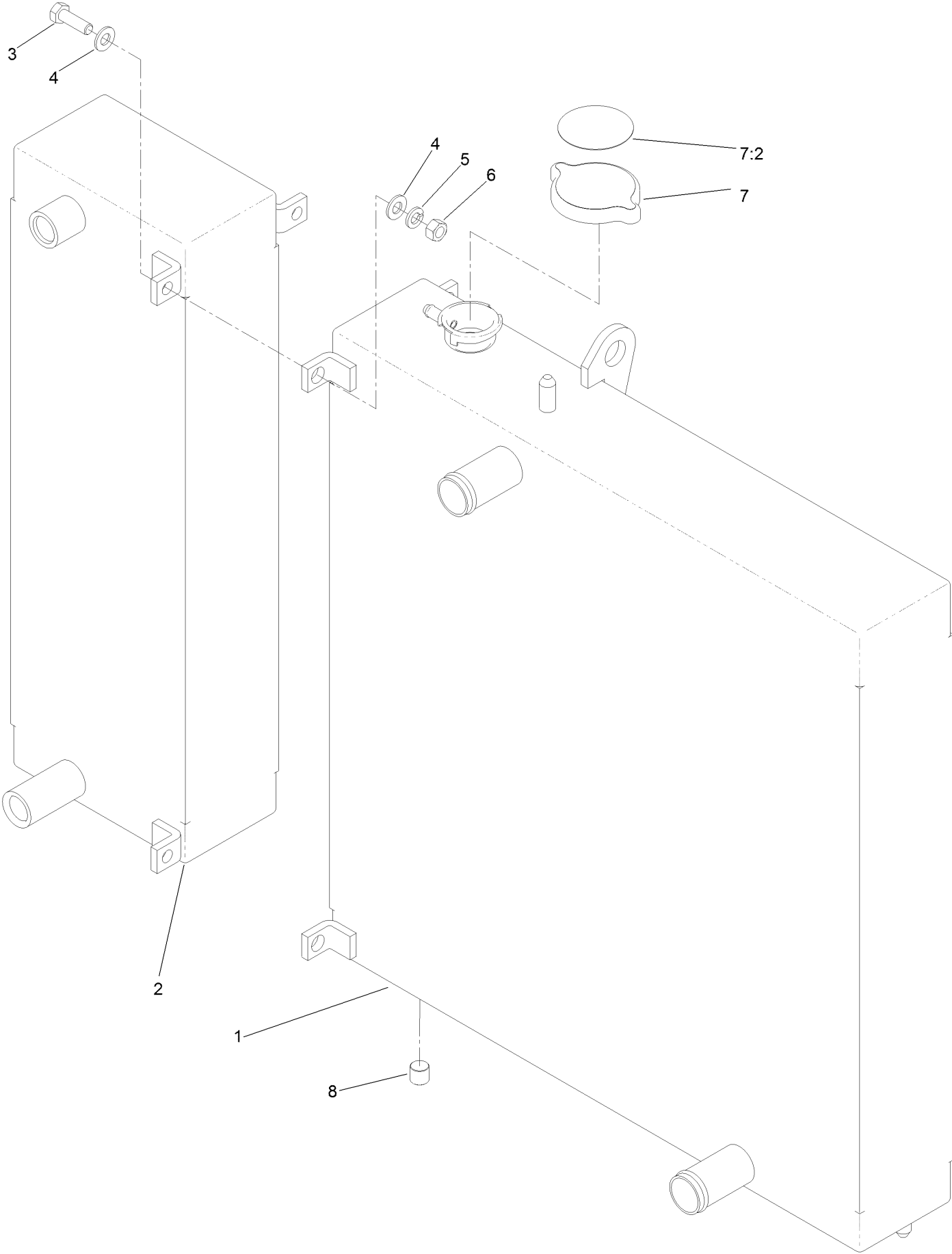
Cooling Assembly



Cooling Assembly (continued)

<i>Ref.</i>	<i>Part Number</i>	<i>Qty.</i>	<i>Description</i>	<i>Ref.</i>	<i>Part Number</i>	<i>Qty.</i>	<i>Description</i>
1	121-3330	1	Cooling ASM	23	126-9178-03	1	Bracket-Bottle
2	126-9026-03	1	Support-Radiator, LH	24	126-7648	1	Hose
3	126-9028-03	1	Support-Radiator, RH	25	3230-6	2	Bolt-Carriage 3/16-18 X 2
4	119-1422	3	Mount-Isolator	26	126-6781-03	1	Bracket-Bulkhead
5	120-0068-03	1	Bracket-Cooling, Top	28	126-8691	1	Hydraulic Tube ASM
6	119-1427	2	Seal-Bulb	29	126-8690	1	Hydraulic Tube ASM
7	119-1426	2	Seal-Bulb	30	340-98	2	Fitting-Elbow, 90 DEG
8	121-3322	1	Hose-Radiator, Lower	30:1	237-79	1	O-Ring
9	121-3321	1	Hose-Radiator, Upper	30:2	237-30	1	O-Ring
10	2412-34	3	Clamp-Hose	31	340-127	2	Nut-Bulkhead
11	2412-130	1	Clamp-Hose	32	32144-70	2	Screw-HWH 5/16-18 X 3/4 Tf
12	121-3311	1	Shroud-Bottom	33	126-6847	2	Seal-Bulb
13	121-3312	1	Shroud-Top	34	237-124	1	Grommet
14	117-2382	2	Plug-Plastic	35	135-0641	1	Clamp-Twin
16	3234-29	2	Screw-HH Flg 5/16-18 X 1	36	104-7201	1	Nut-Nyloc 1/4-20 Flg
17	104-8300	13	Nut-Nyloc 5/16-18 Flg	37	321-13	1	Screw-HH 1/4-20 X 1 3/8
18	107069	4	Nut-Retainer-Panel 1/4-20	38	2412-98	1	Clamp-Hose
19	32105-15	4	Screw-Machine 1/4-20 X 3/4	39	32180-030	2	Clip-Tie
20	3230-23	9	Bolt-Carriage 5/16-18 X 3/4 Short Neck	40	110-4103	1	Hose-Fuel
21	92-2379	2	Clamp-Hose	41	135-4693	1	Cap-W/Tether
22	135-4692	1	Tank-Overflow, W/Cap				

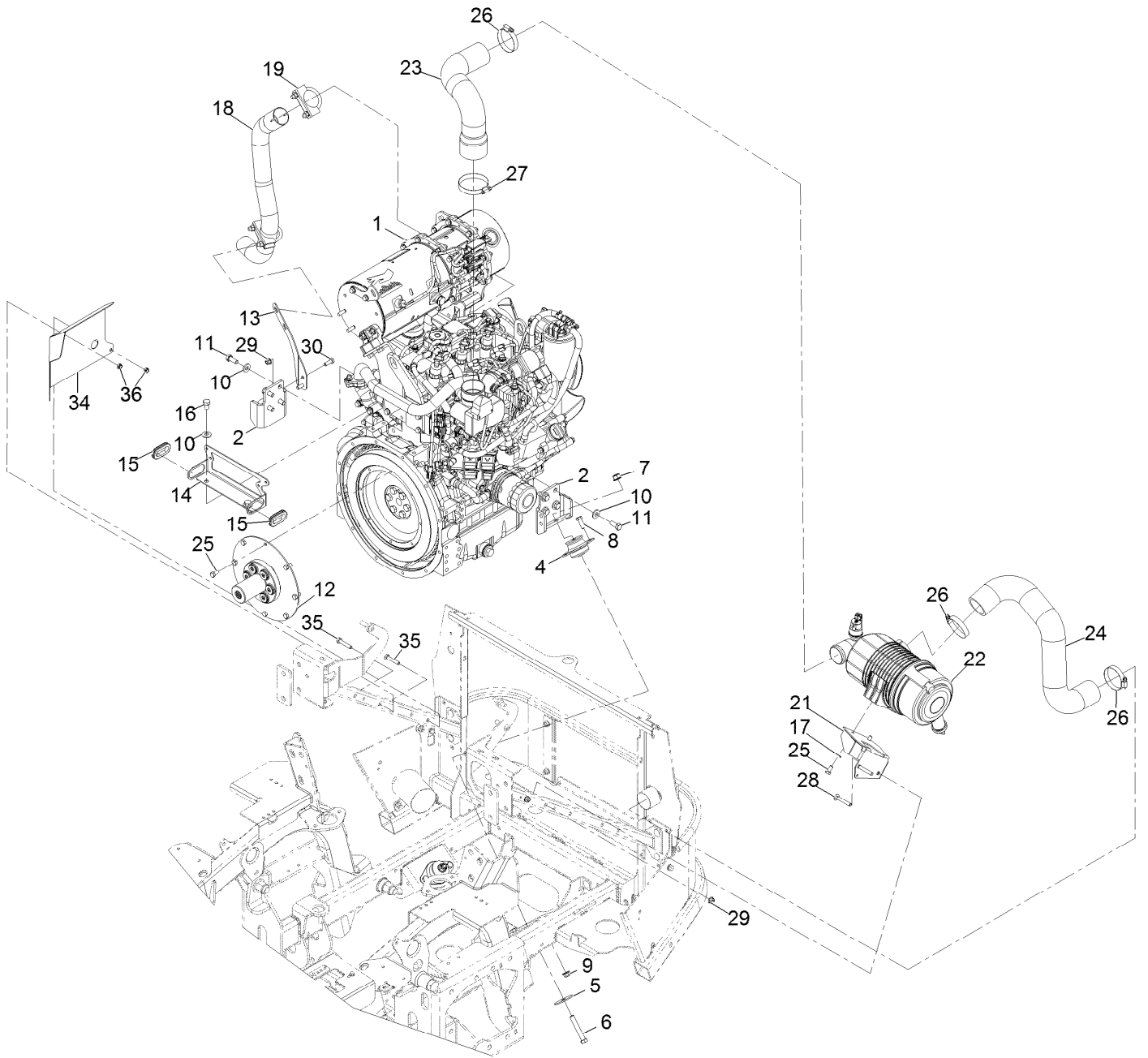
Cooling Assembly No. 121-3330



Cooling Assembly No. 121-3330 (continued)

<i>Ref.</i>	<i>Part Number</i>	<i>Qty.</i>	<i>Description</i>	<i>Ref.</i>	<i>Part Number</i>	<i>Qty.</i>	<i>Description</i>
1	121-3328	1	Radiator	6	3217-6	3	Nut-Hex
2	121-3329	1	Oil Cooler	7	119-1430	1	Radiator Cap ASM
3	322-5	3	Screw-HH	7:2	117-3276	1	Decal-Danger
4	3256-23	6	Washer-Plain	8	99-8551	1	Plug-Pipe
5	3253-4	3	Washer-Lock				

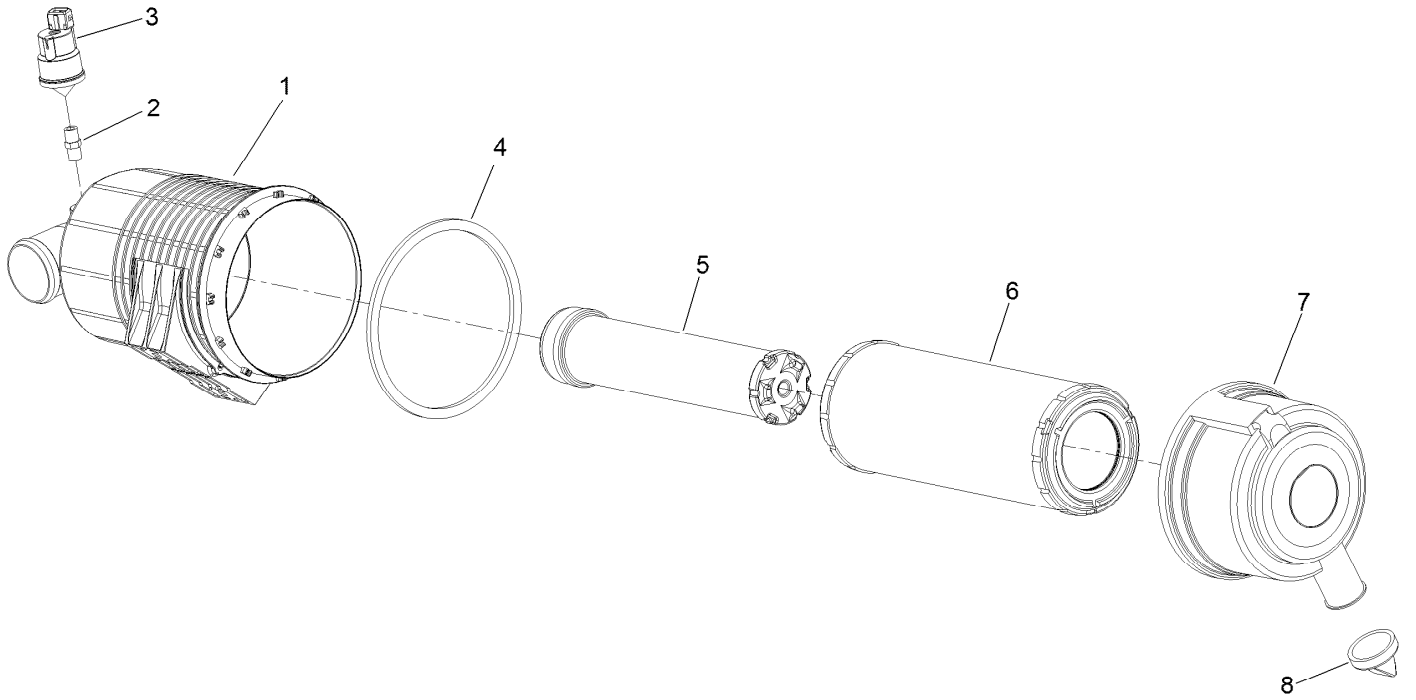
Engine Assembly



Engine Assembly (continued)

<i>Ref.</i>	<i>Part Number</i>	<i>Qty.</i>	<i>Description</i>	<i>Ref.</i>	<i>Part Number</i>	<i>Qty.</i>	<i>Description</i>
1	126-9272	1	Engine-Yanmar, 3Tnv88C-Dtr5	17	3290-475	2	Washer-Belleville
2	120-9180-03	2	Mount-Motor, Upper	18	126-7652	1	Tube-Exhaust
4	130-2486	2	Mount	19	18-2130	2	Clamp
5	87-5100	2	Washer-Snubbing	21	126-8730-03	1	Bracket-Cleaner, Air
6	324-11	2	Screw-HH	22	126-7646	1	Air Cleaner ASM
7	114-8417	2	Nut-HF, NI	23	120-9199	1	Hose-Air
8	323-6	4	Screw-HH 3/8-16 X 1	24	120-9177	1	Hose-Air
9	104-8301	4	Nut-Nyloc 3/8-16 Flg	25	99-5132	10	Bolt
10	98-5975	10	Washer-Spring Disc 3/8	26	2412-130	3	Clamp-Hose
11	33115-025	8	Screw-HH M10-1.5 X 35Mm	27	2412-125	1	Clamp-Hose
12	120-9131	1	Coupling-Flywheel	28	3230-6	2	Bolt-Carriage 3/16-18 X 2
13	126-8587-03	1	Bracket-Mount	29	104-8300	4	Nut-Nyloc 5/16-18 Flg
14	126-7602-03	1	Bracket-Guide	30	322-4	2	Screw-HH 5/16-18 X 7/8
15	240-7	2	Grommet-Rubber	34	135-3946-03	1	Deflector-Air
16	33115-016	2	Screw-HH	35	322-8	2	Screw-HH
				36	3296-47	2	Nut-Nyloc 5/16-18 Thin

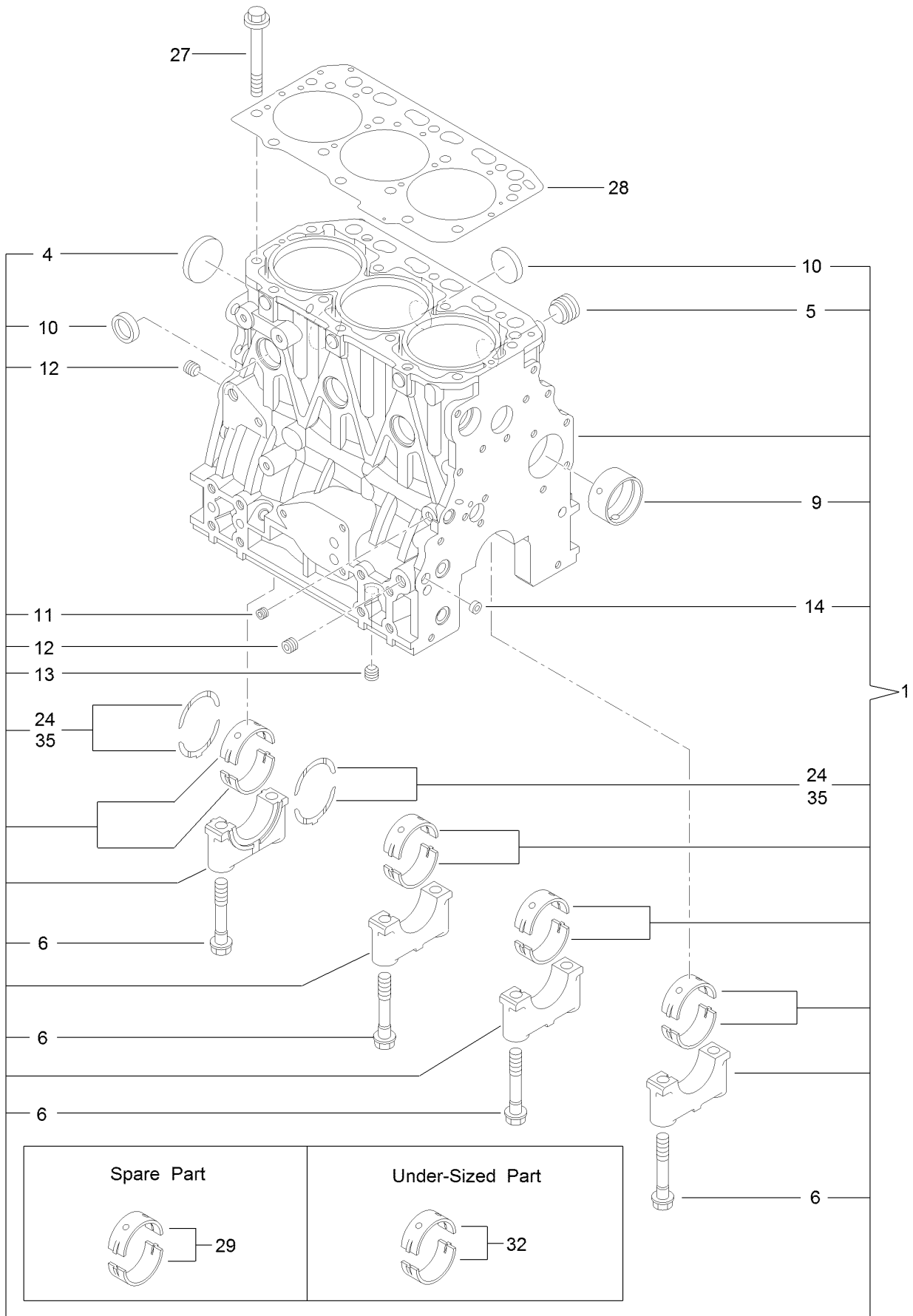
Air Cleaner Assembly



Air Cleaner Assembly (continued)

<i>Ref.</i>	<i>Part Number</i>	<i>Qty.</i>	<i>Description</i>	<i>Ref.</i>	<i>Part Number</i>	<i>Qty.</i>	<i>Description</i>
1	126-7647	1	Body-Cleaner, Air	5	114-4057	1	Element-Safety, 5 Inch
2	105-4292	1	Nipple-Pipe	6	108-3810	1	Filter-Air
3	126-7651	1	Indicator-Mini	7	104-0497	1	Cover
4	104-4897	1	Gasket	8	104-0498	1	Valve-Vacuator

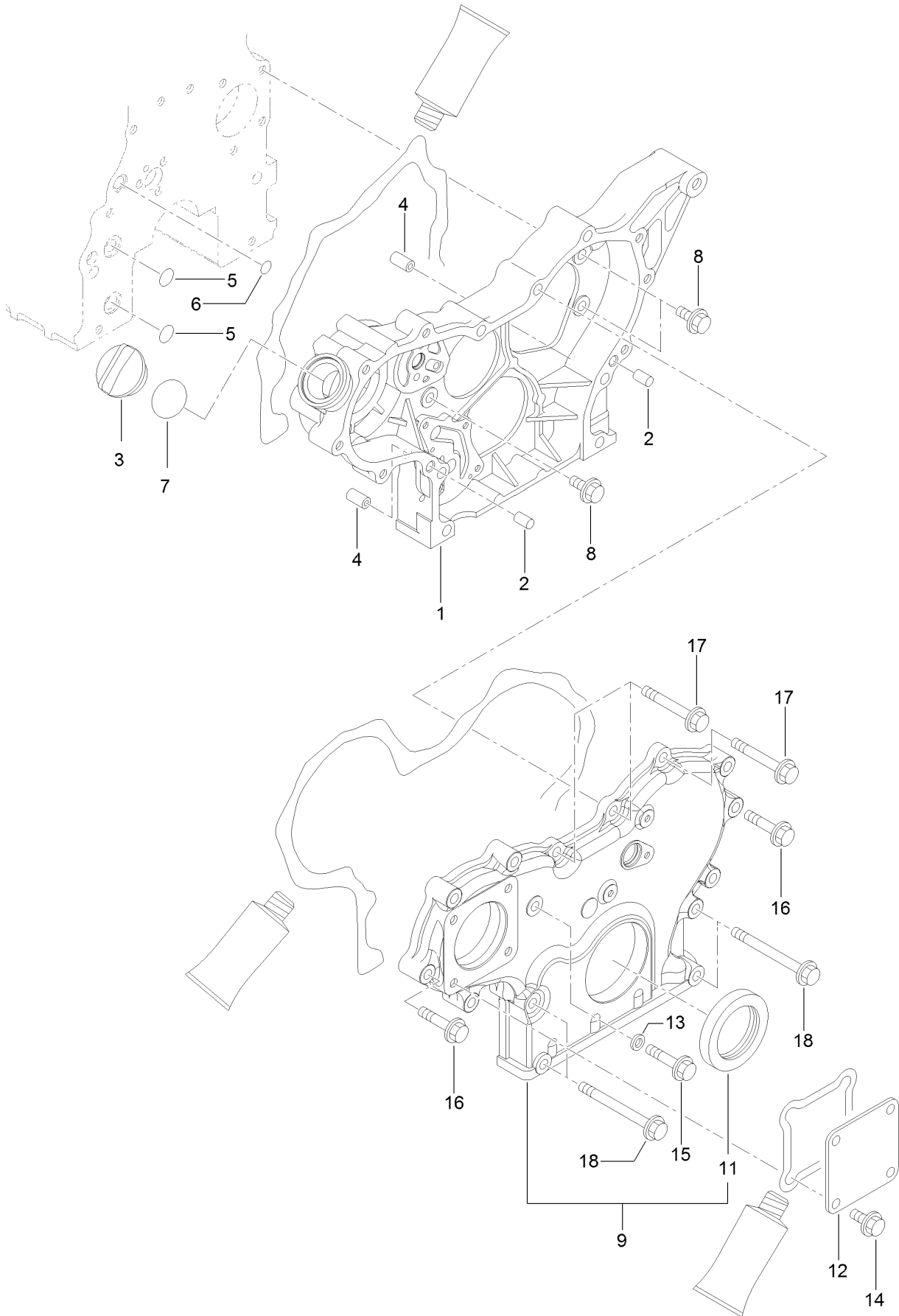
Cylinder Block Assembly



Cylinder Block Assembly (continued)

<i>Ref.</i>	<i>Part Number</i>	<i>Qty.</i>	<i>Description</i>	<i>Ref.</i>	<i>Part Number</i>	<i>Qty.</i>	<i>Description</i>
1	127-4717	1	Cylinder Block ASM	13	125-6973	1	Plug
4	125-6980	1	Plug	14	125-7237	1	Plug
5	125-7170	1	Plug	24	125-7010	2	Metal-Thrust
6	125-7007	8	Bolt	27	125-7006	14	Bolt
9	125-7108	1	Bushing	28	127-4716	1	Head Gasket ASM
10	125-7239	6	Plug	29	125-6981	4	Metal-Main
11	125-6969	1	Plug	32	125-7009	4	Metal-Main (0.25)
12	125-6973	2	Plug	35	125-7011	1	Metal-Thrust (0.25)

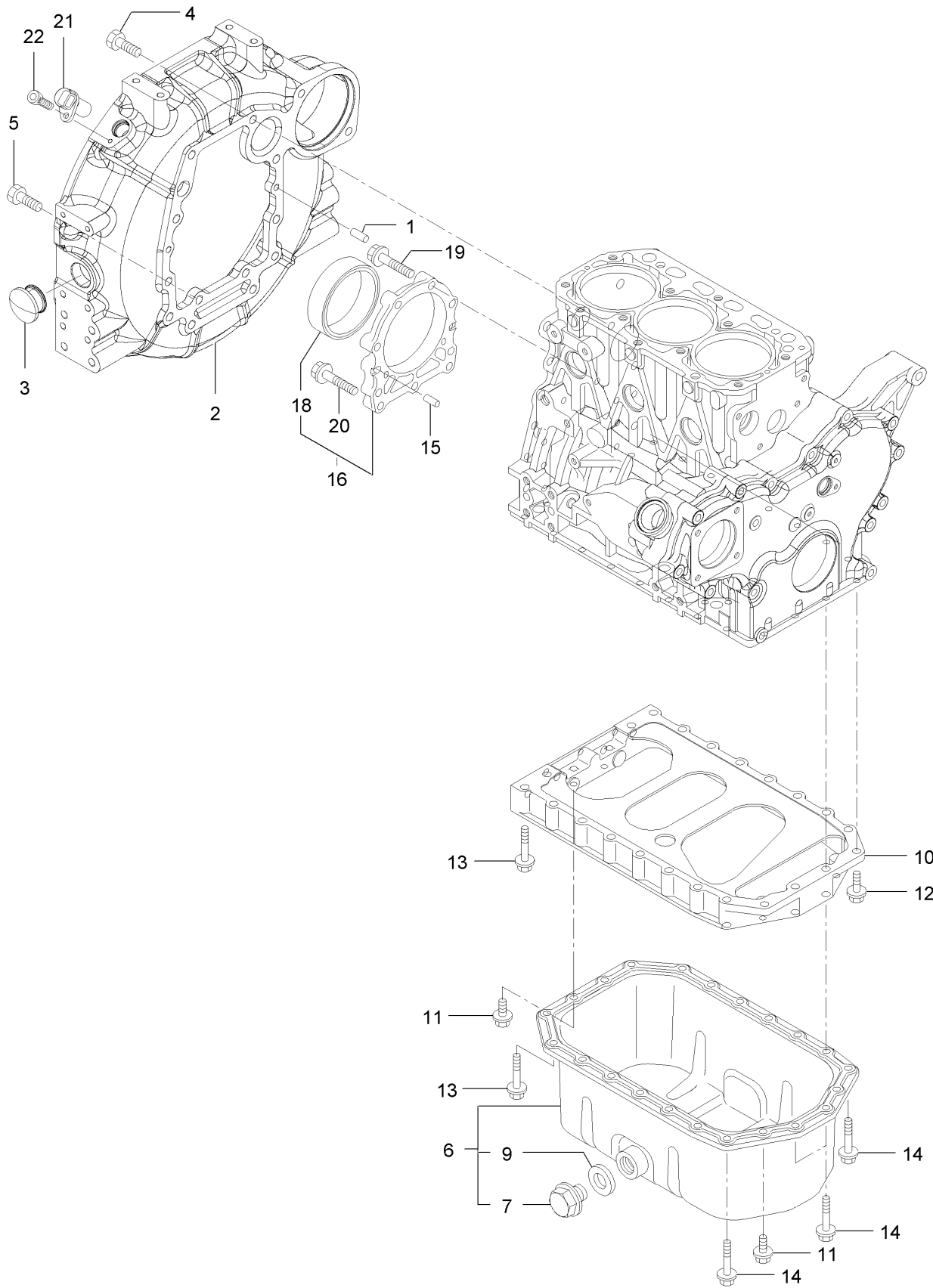
Gear Housing Assembly



Gear Housing Assembly (continued)

<i>Ref.</i>	<i>Part Number</i>	<i>Qty.</i>	<i>Description</i>	<i>Ref.</i>	<i>Part Number</i>	<i>Qty.</i>	<i>Description</i>
1	127-3023	1	Case-Gear	11	125-6944	1	Seal-Oil
2	125-6995	2	Pin	12	125-6977	1	Cover
3	125-6972	1	Cover-Filler	13	125-7174	1	Washer-Seal
4	125-7107	2	Pipe	14	100-6928	4	Bolt
5	125-6909	2	O-Ring	15	125-7217	1	Bolt
6	127-2973	1	O-Ring	16	125-7218	7	Bolt
7	125-7197	1	O-Ring	17	125-7222	3	Bolt
8	100-6928	3	Bolt	18	125-7224	4	Bolt
9	127-3024	1	Gearcase Cover ASM				

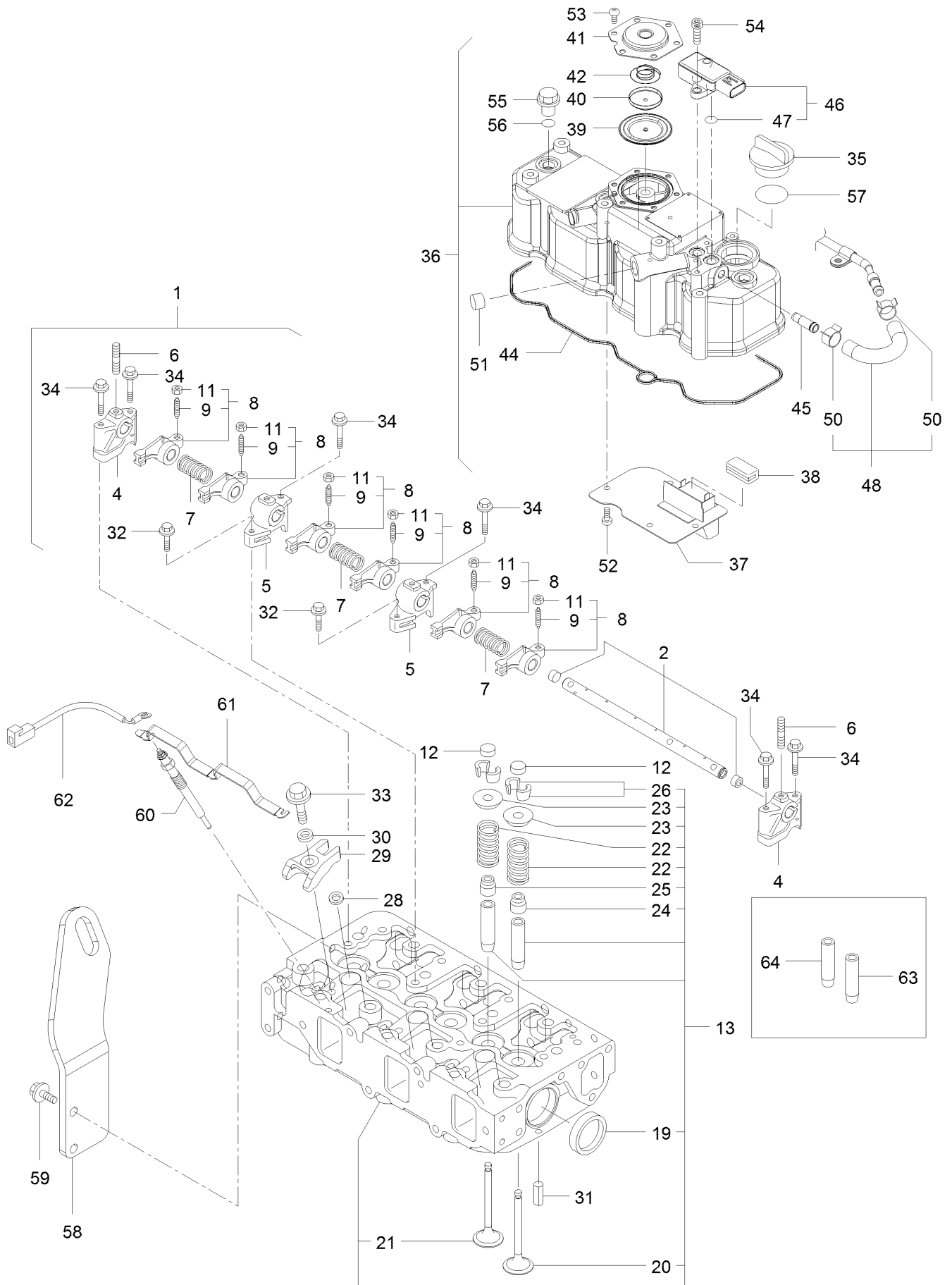
Flywheel Housing and Oil Sump Assembly



Flywheel Housing and Oil Sump Assembly (continued)

<i>Ref.</i>	<i>Part Number</i>	<i>Qty.</i>	<i>Description</i>	<i>Ref.</i>	<i>Part Number</i>	<i>Qty.</i>	<i>Description</i>
1	125-6995	2	Pin	12	125-7215	2	Bolt
2	127-4758	1	Housing-Flywheel	13	125-7219	16	Bolt
3	125-6910	1	Cap	14	125-7220	4	Bolt
4	125-7226	6	Bolt	15	125-6995	2	Pin
5	125-7227	4	Bolt	16	135-4011	1	Case ASM
6	135-4010	1	Oil Pan ASM	18	125-7106	1	Seal-Oil
7	125-6912	1	Plug-Drain	19	125-7045	6	Bolt
9	125-7177	1	Washer-Seal	20	125-7217	3	Bolt
10	127-3756	1	Spacer	21	127-3062	1	Sensor-Rev, Flywheel
11	100-6928	4	Bolt	22	127-3184	1	Bolt

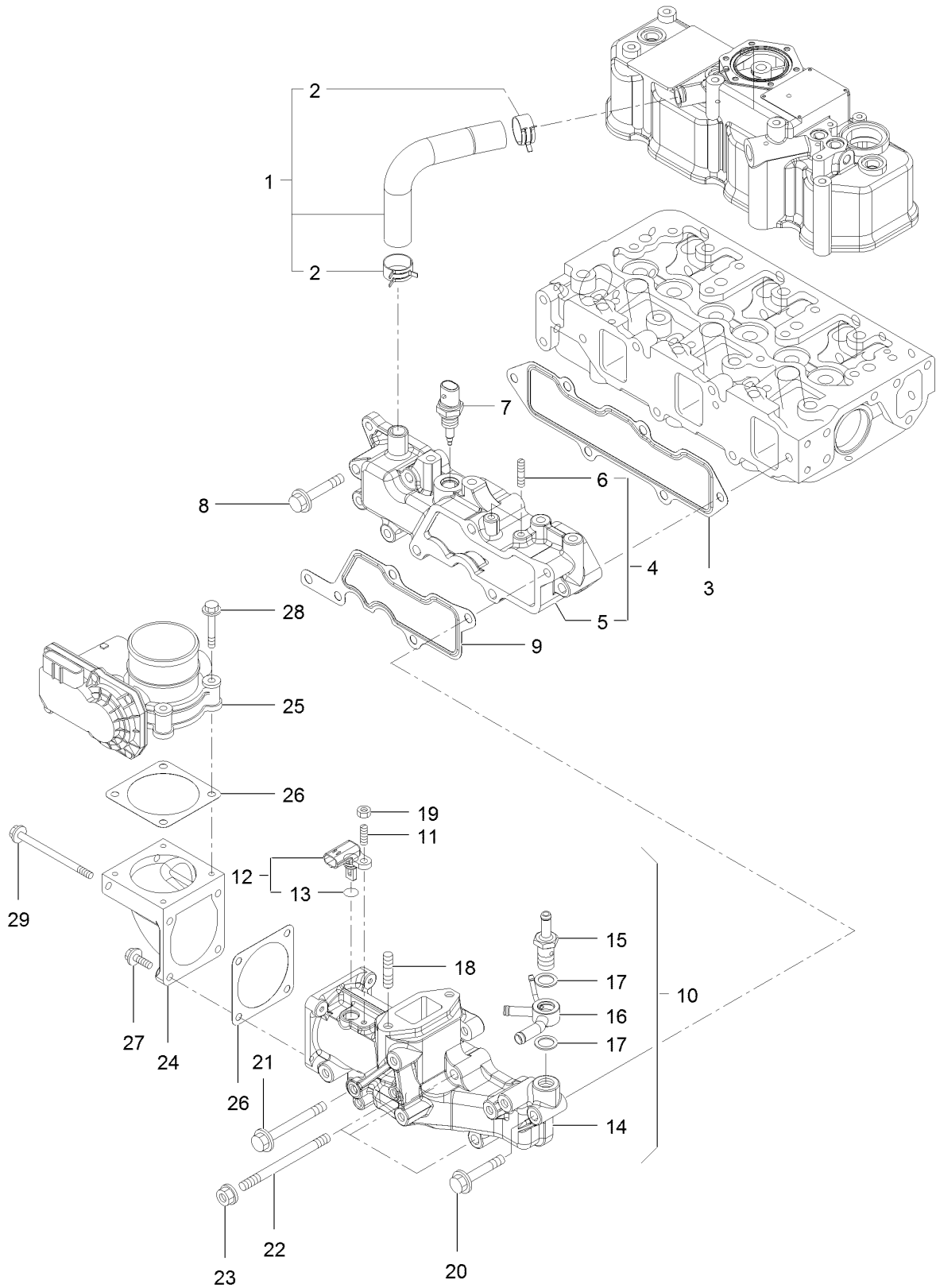
Cylinder Head and Cover Assembly



Cylinder Head and Cover Assembly (continued)

<i>Ref.</i>	<i>Part Number</i>	<i>Qty.</i>	<i>Description</i>	<i>Ref.</i>	<i>Part Number</i>	<i>Qty.</i>	<i>Description</i>
1	127-3757	1	Shaft ASM	36	127-4719	1	Cylinder Head Cover ASM
2	127-3758	1	Shaft	37	127-2988	1	Plate
4	127-2974	2	Support	38	125-7012	1	Baffle
5	127-2975	2	Support	39	125-6959	1	Diaphragm
6	135-4012	3	Bolt,Stud	40	125-6960	1	Plate
7	127-2995	3	Spring	41	125-6961	1	Plate-Breather
8	127-2989	6	Arm-Rocker	42	125-6962	1	Spring-Diaphragm
9	125-7013	6	Screw-Adjust, Valve	44	127-3856	1	Gasket-Head, Cylinder
11	125-7014	6	Nut	45	127-3026	1	Joint
12	127-2996	6	Cap-Valve	46	127-3029	1	Sensor-Pressure
13	127-4720	1	Cylinder Head ASM	47	127-3032	2	O Ring-Sensor, Pressure
19	125-7240	2	Plug	48	127-3040	1	Hose ASM
20	127-2990	3	Valve	50	127-3041	2	Clip-Hose
21	127-4710	3	Valve	51	125-6913	1	Plug
22	127-3012	6	Spring	52	125-7186	4	Screw
23	127-3013	6	Retainer-Spring	53	125-7186	6	Screw
24	127-2986	3	Seal-Stem, Valve	54	127-3184	2	Bolt
25	127-3027	3	Seal-Stem, Valve	55	125-6974	3	Knob
26	127-3186	6	Pin-Cotter	56	93-0418	3	O-Ring
28	127-3021	3	Gasket-Injector	57	125-7197	1	O-Ring
29	127-3028	3	Retainer-Injector	58	127-4718	1	Lifter-Engine
30	127-2980	3	Washer-Injector	59	100-6928	2	Bolt
31	125-7184	2	Pin-Spring	60	127-2991	3	Plug-Glow
32	125-7215	2	Bolt	61	127-3768	1	Connector-Plug, Glow
33	125-7217	3	Bolt	62	131-2704	1	Harness-Wire
34	125-7220	6	Bolt	63	127-2979	3	Guide
35	125-6972	1	Cover-Filler	64	127-2997	3	Guide-Valve

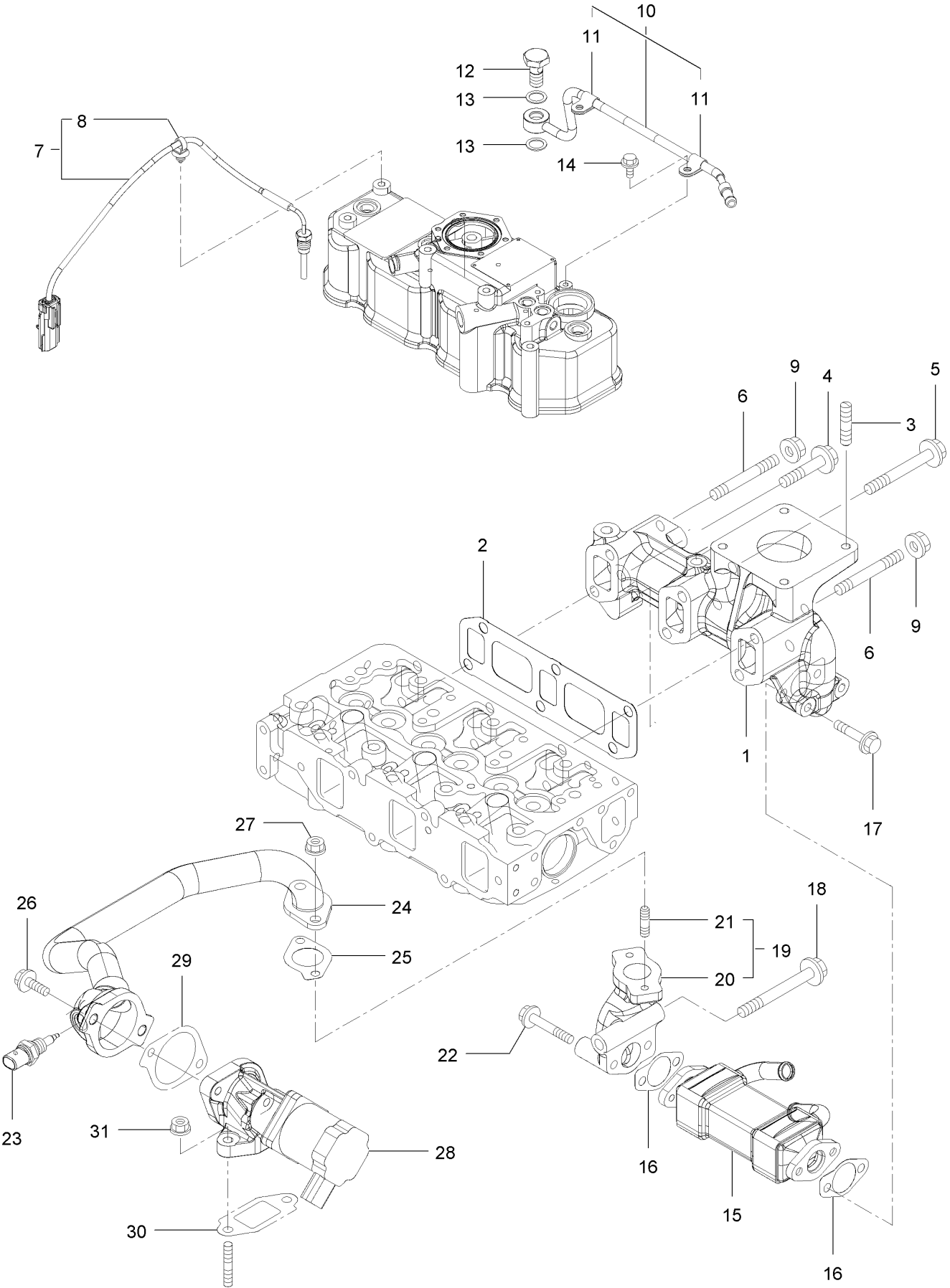
Suction Manifold Assembly



Suction Manifold Assembly (continued)

<i>Ref.</i>	<i>Part Number</i>	<i>Qty.</i>	<i>Description</i>	<i>Ref.</i>	<i>Part Number</i>	<i>Qty.</i>	<i>Description</i>
1	127-4704	1	Pipe	16	127-3081	1	Joint-Hose
2	125-7040	2	Clip-Hose	17	127-3166	2	Washer-Seal
3	127-3857	1	Gasket-Manifold, Intake	18	127-3181	2	Stud
4	127-4722	1	Intake Manifold ASM	19	127-4775	1	Nut
5	127-4721	1	Manifold-Intake	20	125-7220	1	Bolt
6	127-3180	2	Stud	21	127-3178	1	Bolt
7	127-3031	1	Sensor-Temp, Air	22	127-3182	3	Stud
8	125-7220	3	Bolt	23	125-7229	3	Nut
9	127-3034	1	Gasket-Collector	24	127-3035	1	Bend-Inlet
10	127-4725	1	Intake Collector ASM	25	127-3036	1	Body-Throttle
11	127-4701	1	Stud	26	127-3037	2	Gasket-Throttle
12	127-3030	1	Sensor-Temp, Air	27	125-7209	2	Bolt
13	127-3033	1	O-Ring	28	125-7211	4	Bolt
14	127-4724	1	Collector-Intake	29	127-3177	2	Bolt
15	127-3080	1	Joint-Hose				

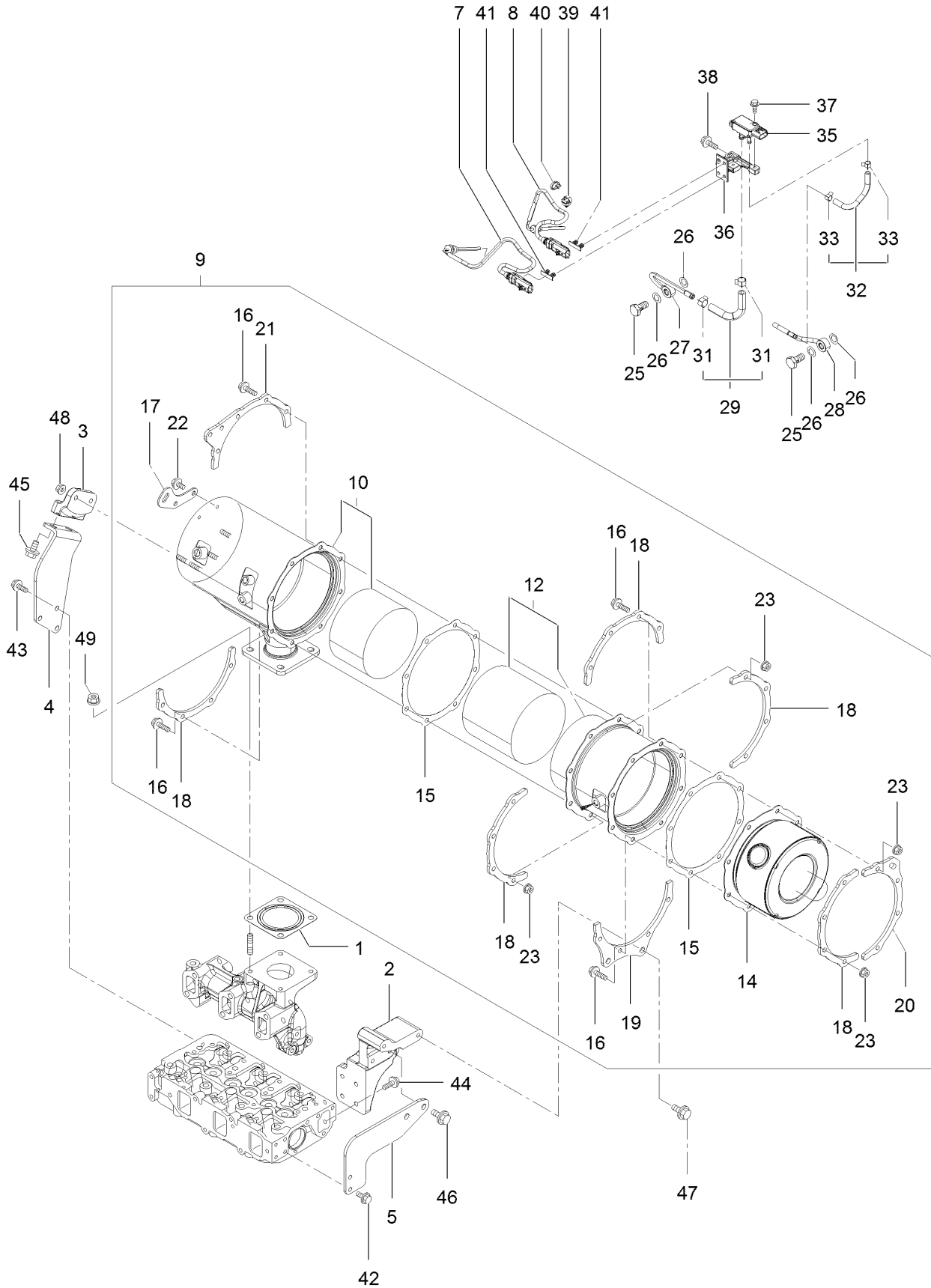
Exhaust Manifold Assembly



Exhaust Manifold Assembly (continued)

<i>Ref.</i>	<i>Part Number</i>	<i>Qty.</i>	<i>Description</i>	<i>Ref.</i>	<i>Part Number</i>	<i>Qty.</i>	<i>Description</i>
1	127-4726	1	Manifold-Exhaust	17	135-4015	2	Bolt
2	127-3775	1	Gasket-Manifold, Exhaust	18	135-4016	1	Bolt
3	127-2984	4	Stud	19	127-3048	1	E G R Pipe ASM
4	135-4013	1	Bolt	20	127-3049	1	Pipe-Out, E G R
5	135-4014	3	Bolt	21	125-7043	2	Stud
6	127-4756	2	Stud	22	125-7220	2	Bolt
7	127-4729	1	Sensor-Temp, Exhaust	23	137-5168	1	Sensor-Gas Temp, E G R
8	127-3087	1	Band-Clip	24	127-3780	1	E G R Pipe ASM
9	125-7230	2	Nut	25	127-3016	1	Gasket
10	127-3038	1	Exhaust Pipe ASM	26	125-7215	2	Bolt
11	127-3173	2	Clamp	27	125-7229	2	Nut
12	127-3039	1	Bolt-Joint, Pipe	28	127-3781	1	Valve-E G R
13	127-3174	2	Gasket	29	127-3050	1	Gasket-Intake Valve, E G R
14	125-7206	2	Bolt	30	127-3051	1	Gasket-Out Valve, E G R
15	127-3042	1	Cooler-E G R	31	125-7229	2	Nut
16	127-3043	2	Gasket-Cooler, E G R				

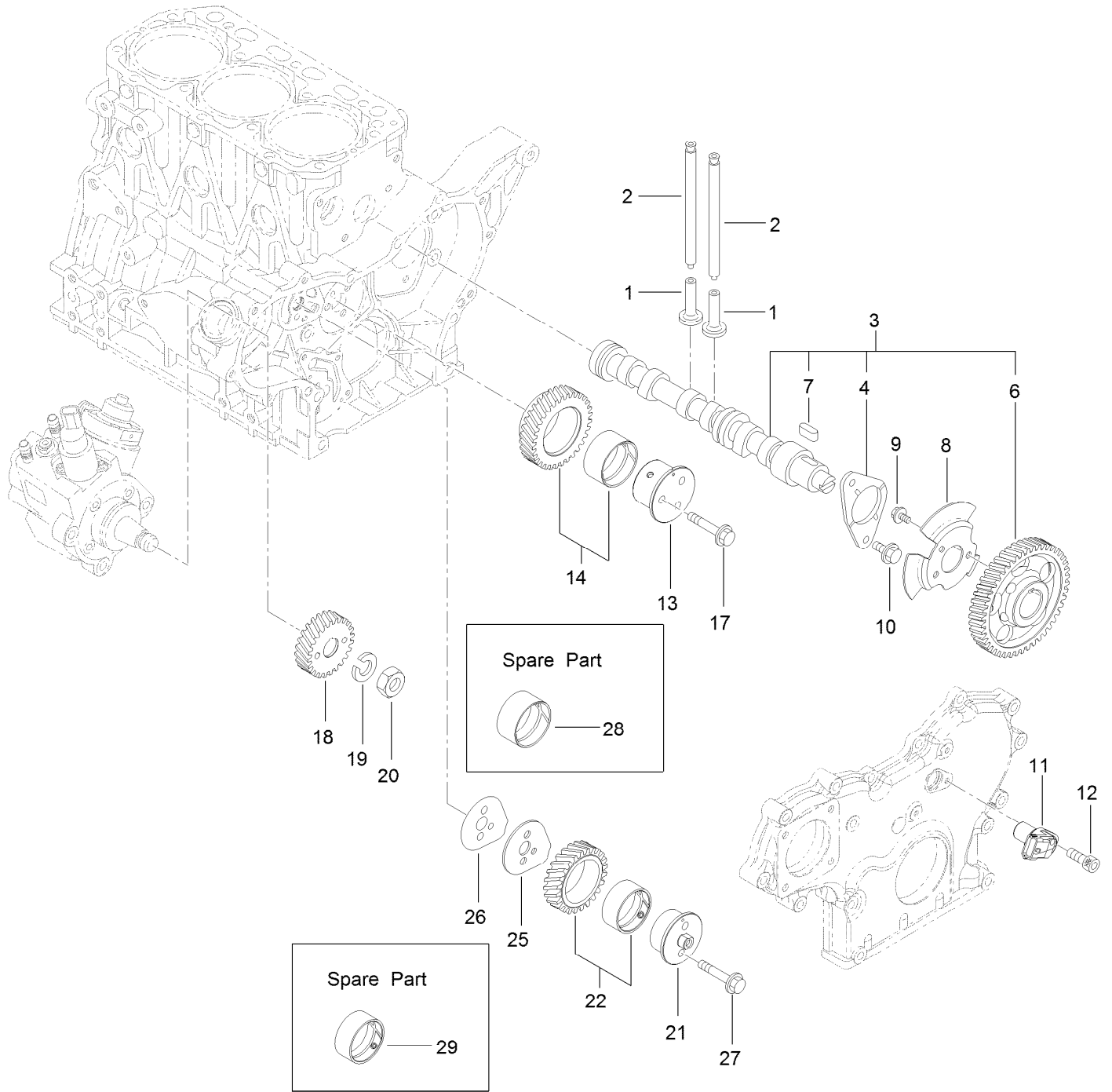
Diesel Particulate Filter Assembly



Diesel Particulate Filter Assembly (continued)

<i>Ref.</i>	<i>Part Number</i>	<i>Qty.</i>	<i>Description</i>	<i>Ref.</i>	<i>Part Number</i>	<i>Qty.</i>	<i>Description</i>
1	127-2987	1	Gasket-Silencer	27	127-4744	1	Sensor Pipe ASM
2	127-4738	1	Stay-D P F	28	127-4745	1	Sensor Pipe ASM
3	127-4739	1	Stay-D P F	29	127-4747	1	Exhaust Hose ASM
4	127-4740	1	Stay-D P F	31	127-3057	2	Clip-Hose
5	127-4741	1	Stay-D P F	32	127-4748	1	Exhaust Hose ASM
7	127-4764	1	Sensor-Temp, Exhaust	33	127-3058	2	Clip-Hose
8	127-4765	1	Sensor-Temp, Exhaust	35	127-3060	1	Sensor-Pressure
9	127-4759	1	D P F ASM	36	127-4750	1	Bracket-Sensor
10	127-4732	1	Case-D O C	37	125-7208	2	Bolt
12	127-4734	1	Case-Filter, Soot	38	125-7595	2	Bolt
14	127-3786	1	Silencer-D P F	39	127-3087	1	Band-Clip
15	127-3859	2	Gasket-D P F	40	127-3124	1	Band
16	127-3055	16	Bolt	41	127-3088	2	Clip-Connector
17	127-3788	1	Lifter-D P F	42	100-6928	2	Bolt
18	127-3789	5	Stiffener-D P F, A	43	100-6928	3	Bolt
19	127-4735	1	Stiffener-D P F, B	44	125-7594	4	Bolt
20	127-3792	1	Stiffener-D P F, C	45	127-4773	2	Bolt
21	127-4736	1	Stiffener-D P F, C	46	127-3179	2	Bolt
22	125-7213	2	Bolt	47	127-3179	2	Bolt
23	125-7229	16	Nut	48	127-3179	2	Bolt
25	127-3039	2	Bolt-Joint, Pipe	49	125-7230	4	Nut
26	127-3056	4	Gasket-Sensor				

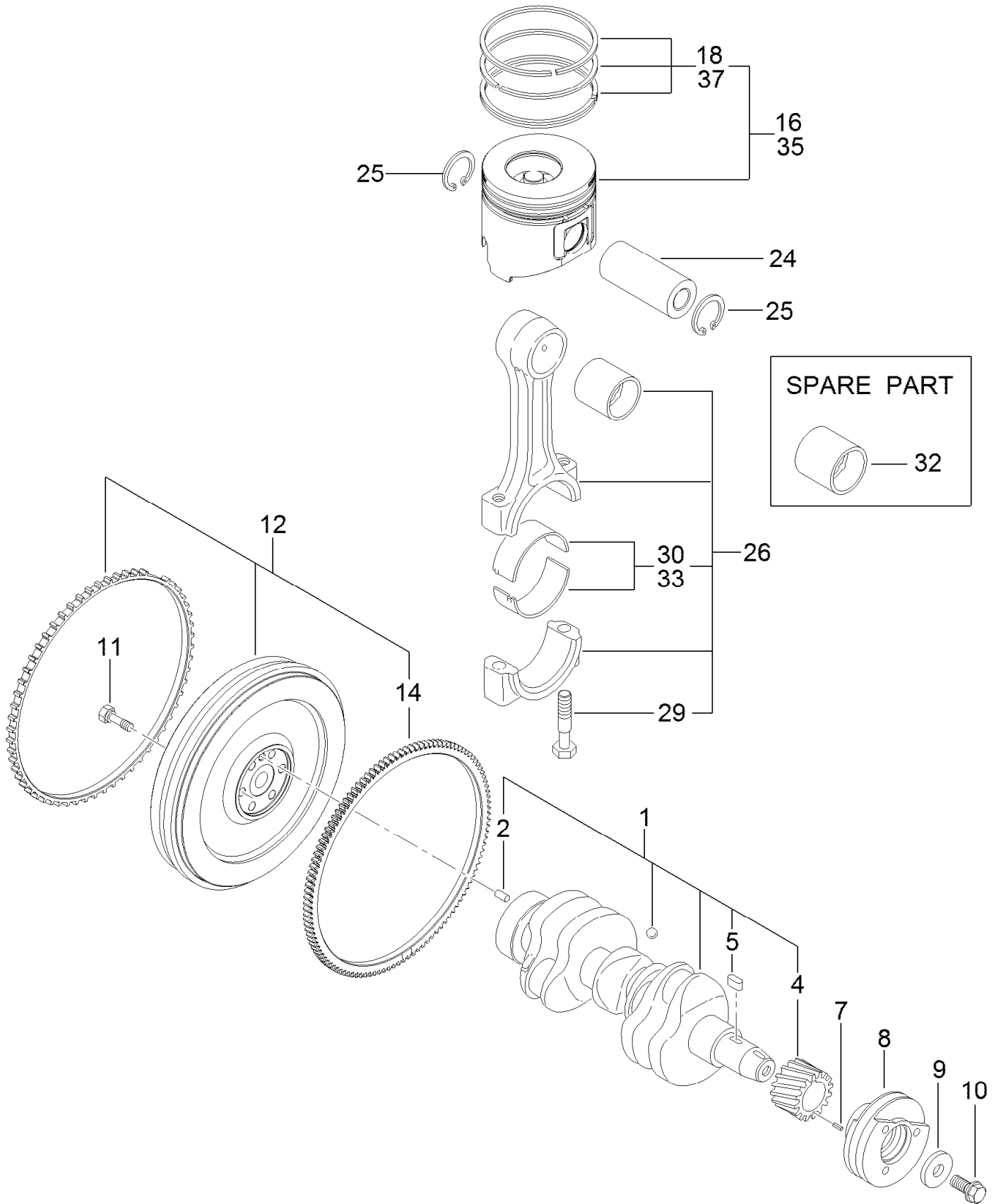
Camshaft and Driving Gear Assembly



Camshaft and Driving Gear Assembly (continued)

<i>Ref.</i>	<i>Part Number</i>	<i>Qty.</i>	<i>Description</i>	<i>Ref.</i>	<i>Part Number</i>	<i>Qty.</i>	<i>Description</i>
1	125-7016	6	Tappet	14	127-3066	1	Idle Gear A ASM
2	125-7017	6	Rod-Push	17	125-7219	3	Bolt
3	127-3797	1	Camshaft ASM	18	127-3070	1	Gear-Pump, Supply
4	125-7008	1	Metal-Thrust	19	127-3167	1	Washer-Spring
6	127-3052	1	Gear-Camshaft	20	127-3185	1	Nut-Lock
7	125-7185	1	Key	21	127-3064	1	Shaft-Idle, Gear B
8	127-3053	1	Pulser-Camshaft	22	127-3067	1	Idle Gear B ASM
9	125-7205	3	Bolt	25	127-3068	1	Plate-Idle, Shaft
10	125-7213	2	Bolt	26	127-3069	1	Gasket-Idle, Shaft B
11	127-3054	1	Sensor-Rev, Gear	27	125-7218	2	Bolt
12	127-3184	1	Bolt	28	125-6927	1	Bushing
13	127-3063	1	Shaft-Idle, Gear A	29	127-3065	1	Bushing

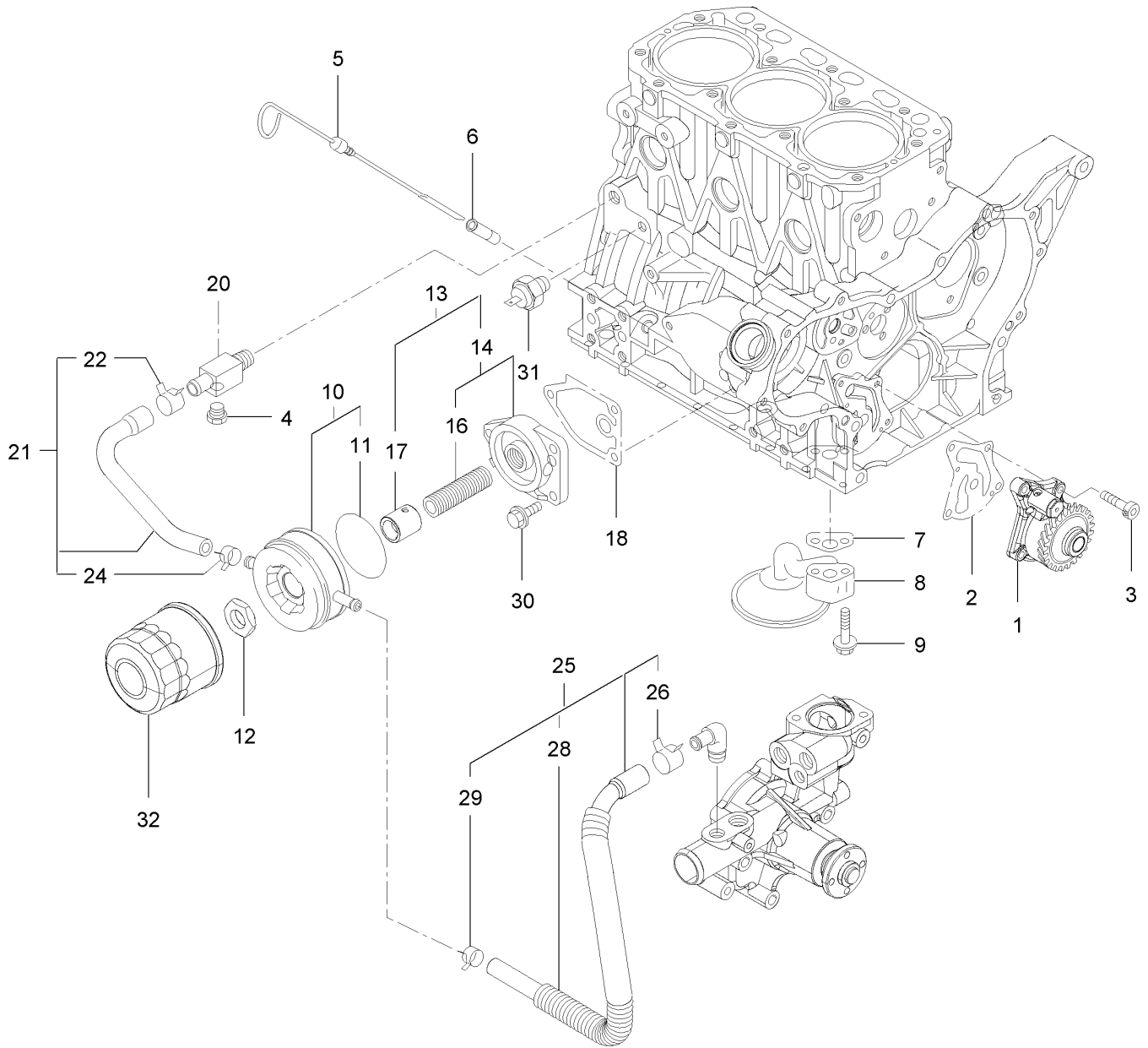
Crankshaft and Piston Assembly



Crankshaft and Piston Assembly (continued)

<i>Ref.</i>	<i>Part Number</i>	<i>Qty.</i>	<i>Description</i>	<i>Ref.</i>	<i>Part Number</i>	<i>Qty.</i>	<i>Description</i>
1	127-3800	1	Crankshaft ASM	16	127-4766	3	Piston ASM
2	125-6995	1	Pin	18	127-4751	3	Piston Ring ASM
4	125-6937	1	Gear	24	125-7030	3	Pin
5	125-7185	1	Key	25	125-7180	6	Ring
7	125-7182	1	Pin-Spring	26	125-7242	3	Connecting Rod ASM
8	127-3801	1	Pulley-V	29	125-6955	6	Bolt
9	125-7109	1	Washer	30	125-7018	3	Pin-Crank
10	125-6956	1	Bolt	32	125-6997	3	Pin-Piston
11	125-6951	6	Bolt	33	125-7019	3	Pin-Crank (.25)
12	127-4761	1	Flywheel ASM	35	127-4767	3	Piston ASM (0.25 O S)
14	127-4703	1	Gear	37	127-4752	3	Ring Set (0.25 O S)

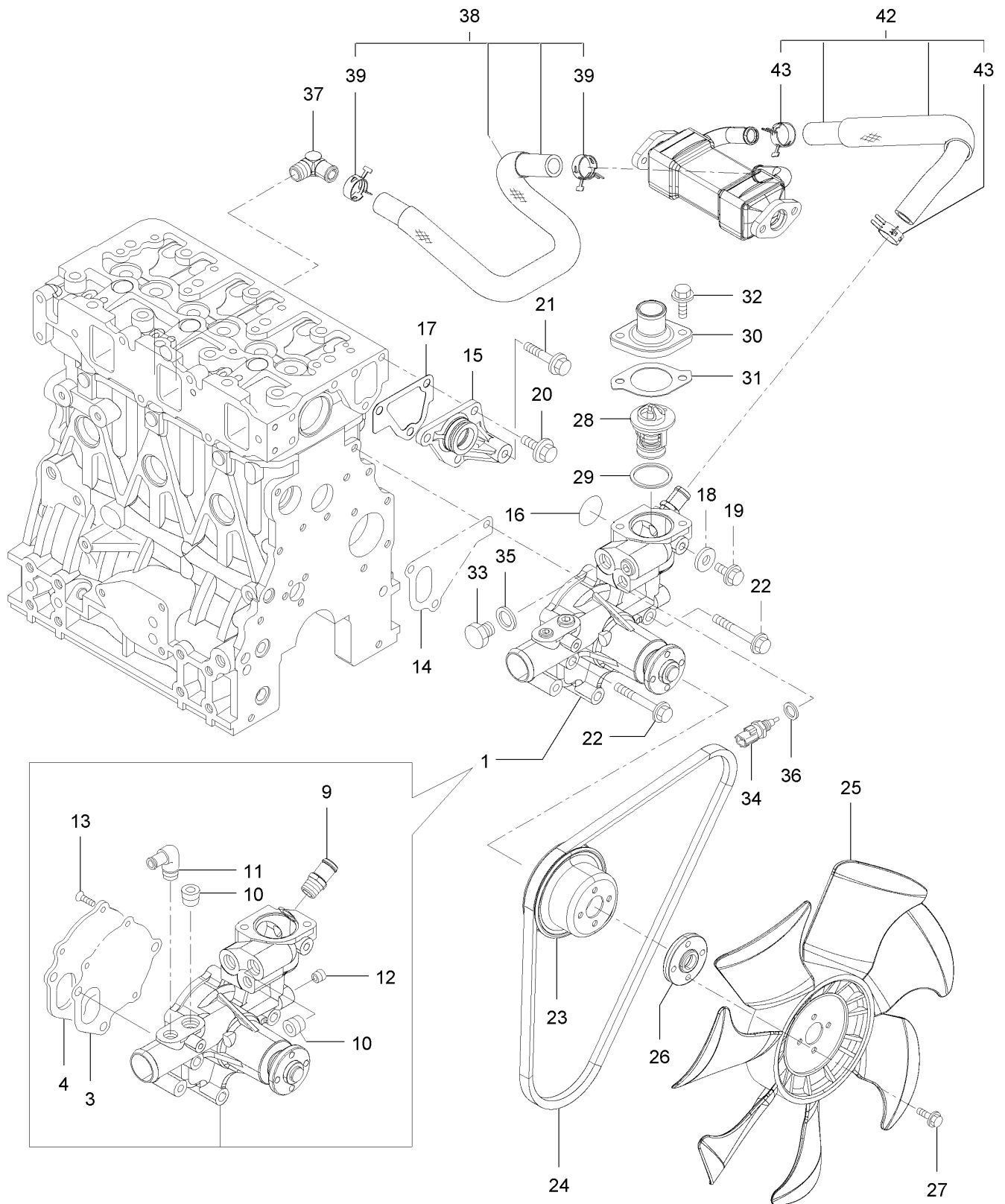
Oil Pump Assembly



Oil Pump Assembly (continued)

<i>Ref.</i>	<i>Part Number</i>	<i>Qty.</i>	<i>Description</i>	<i>Ref.</i>	<i>Part Number</i>	<i>Qty.</i>	<i>Description</i>
1	127-4753	1	Oil Pump ASM	16	125-7042	1	Stud
2	127-3004	1	Gasket	17	135-4022	1	Collar-Oil Cooler
3	125-7232	4	Bolt	18	125-7024	1	Gasket
4	125-7171	1	Plug-Drain	20	125-6990	1	Joint
5	125-6987	1	Dipstick	21	125-7078	1	Pipe ASM
6	125-6954	1	Guide-Dipstick	22	125-7162	1	Clip
7	125-7022	1	Gasket	24	125-7191	1	Clamp-Hose
8	135-4017	1	Pipe ASM-Oil Inlet	25	127-3804	1	Pipe ASM
9	125-7217	2	Bolt	26	125-7162	1	Clip
10	135-4018	1	Cooler ASM-Oil	28	127-3805	1	Tube
11	135-4019	1	Packing-Oil Cooler	29	125-7191	1	Clamp-Hose
12	135-4020	1	Nut	30	125-7595	3	Bolt
13	135-4021	1	Bracket ASM-Lo Filt	31	125-6918	1	Switch-Oil
14	125-6989	1	Bracket ASM	32	125-7025	1	Filter-Engine

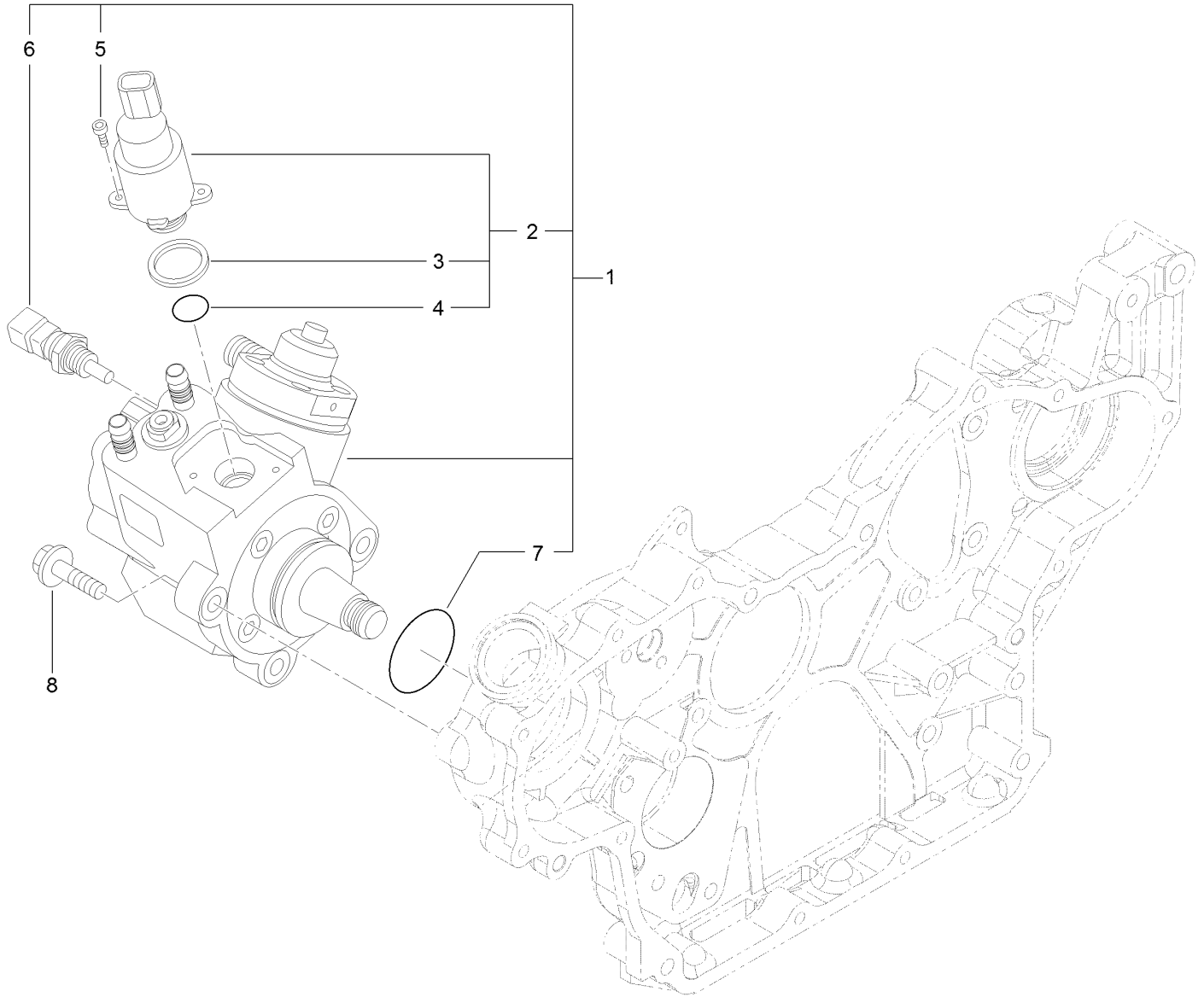
Cooling Water System Assembly



Cooling Water System Assembly (continued)

<i>Ref.</i>	<i>Part Number</i>	<i>Qty.</i>	<i>Description</i>	<i>Ref.</i>	<i>Part Number</i>	<i>Qty.</i>	<i>Description</i>
1	127-3071	1	Water Pump ASM	24	127-4771	1	V-Belt
3	125-6998	1	Gasket	25	127-4702	1	Fan
4	125-6999	1	Plate	26	127-3810	1	Spacer
9	127-3017	1	Joint	27	125-7209	4	Bolt
10	125-7123	2	Plug	28	125-7029	1	Thermostat
11	125-7001	1	Elbow	29	125-7026	1	Gasket
12	125-7195	1	Plug	30	125-7034	1	Cover
13	125-7234	3	Screw	31	125-7110	1	Gasket
14	125-7047	1	Gasket	32	125-7594	2	Bolt
15	125-6986	1	Joint	33	125-6953	1	Plug
16	125-7048	1	O-Ring	34	125-7124	1	Sensor-Thermostat, CW
17	125-6978	1	Gasket	35	125-6979	1	Gasket
18	125-7192	1	Gasket	36	125-7176	1	Washer-Seal
19	93-0362	1	Bolt	37	127-4705	1	Elbow
20	100-6928	3	Bolt	38	127-4757	1	E G R-C Pipe ASM
21	125-7219	1	Bolt	39	127-3020	2	Clip-Hose
22	125-7222	3	Bolt	42	127-3811	1	CW Pipe ASM
23	127-4712	1	V-Pulley	43	127-3020	2	Clip-Hose

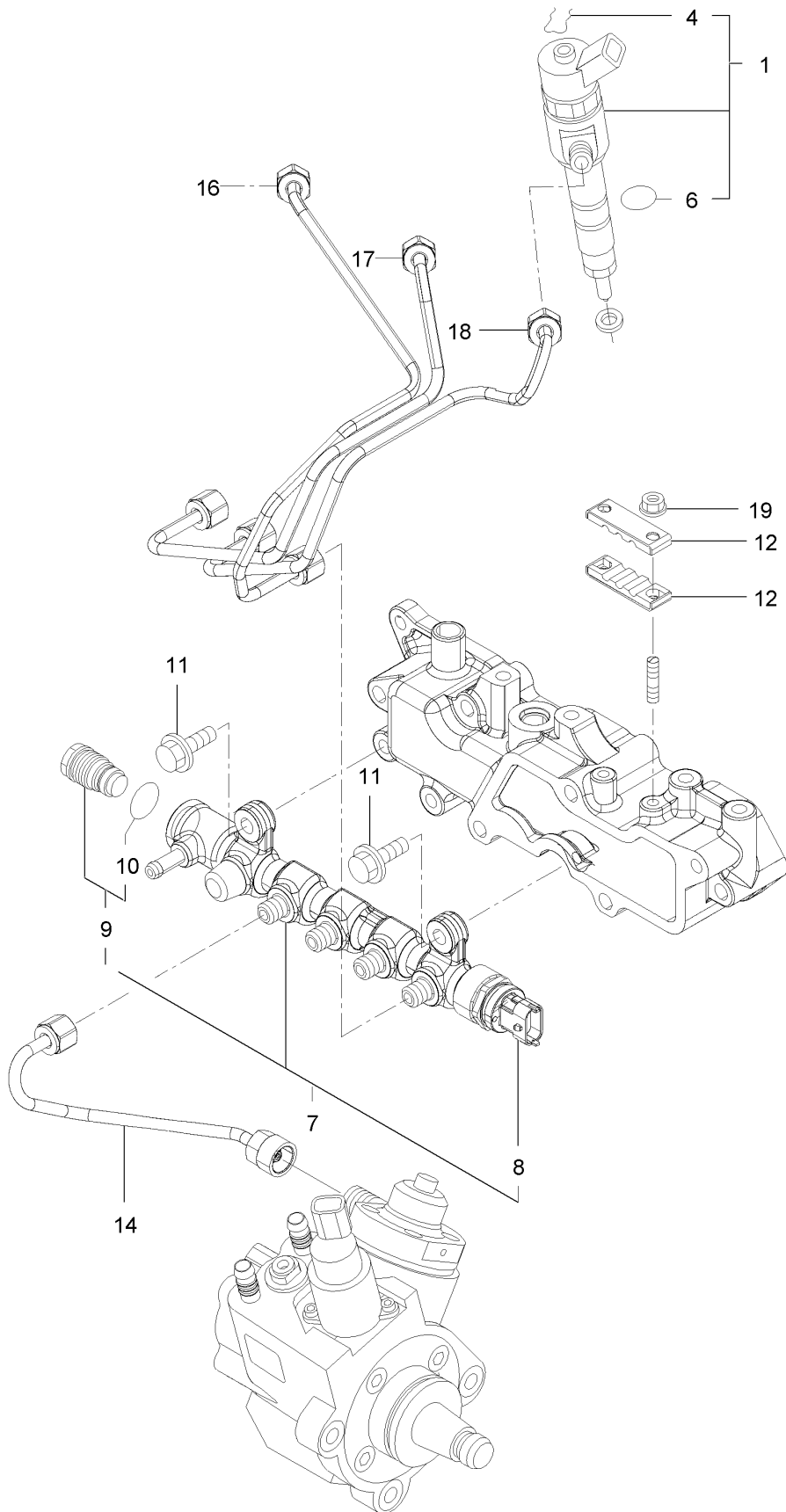
Fuel Supply Pump Assembly



Fuel Supply Pump Assembly (continued)

<i>Ref.</i>	<i>Part Number</i>	<i>Qty.</i>	<i>Description</i>	<i>Ref.</i>	<i>Part Number</i>	<i>Qty.</i>	<i>Description</i>
1	127-3073	1	Fuel Pump ASM	5	131-2107	2	Bolt
2	131-2103	1	Valve ASM	6	131-2108	1	Sensor-Temperature
3	131-2105	1	Ring-Sealing	7	127-3074	1	O-Ring
4	131-2106	1	O-Ring	8	125-7216	3	Bolt

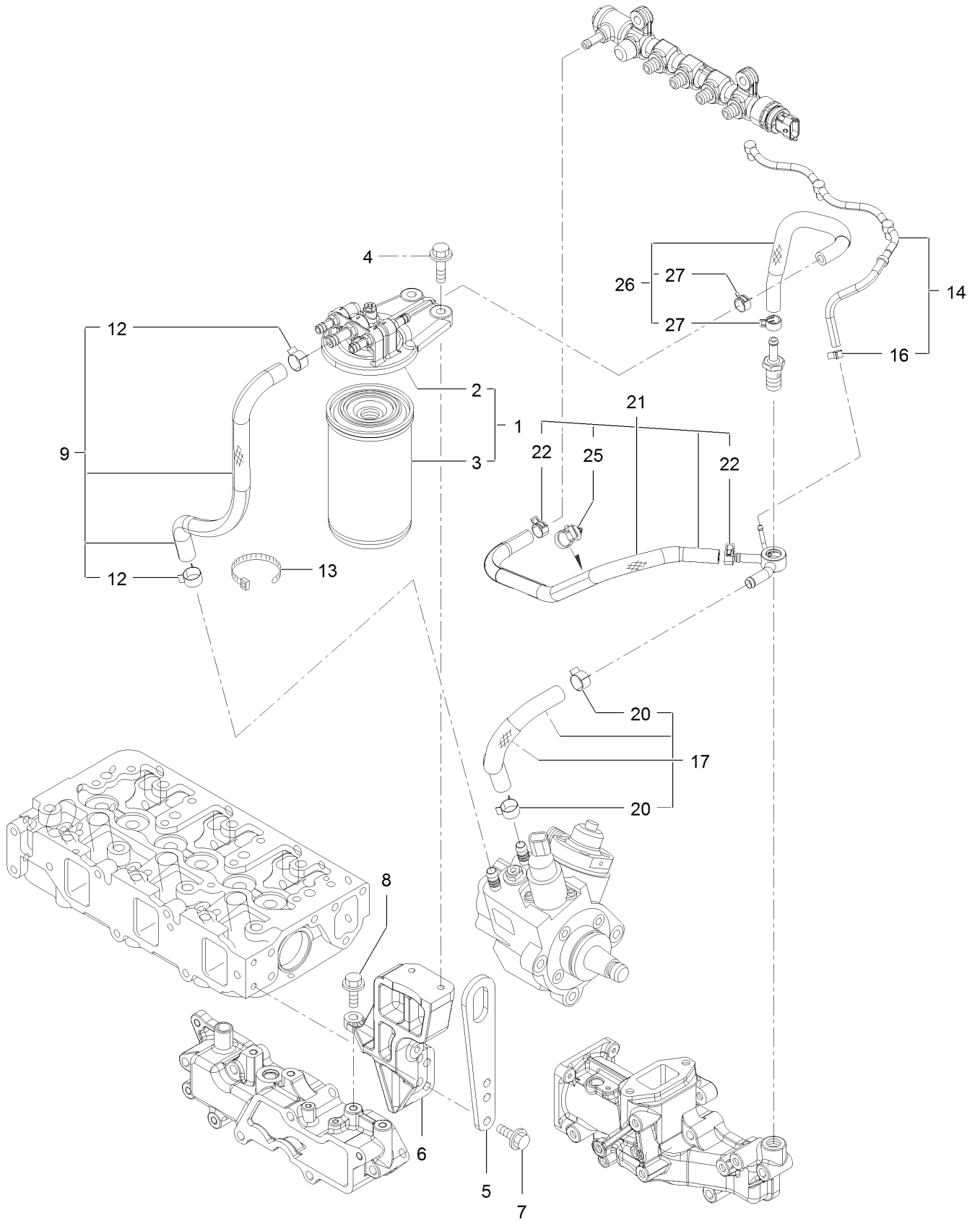
Fuel Injection Valve Assembly



Fuel Injection Valve Assembly (continued)

<i>Ref.</i>	<i>Part Number</i>	<i>Qty.</i>	<i>Description</i>	<i>Ref.</i>	<i>Part Number</i>	<i>Qty.</i>	<i>Description</i>
1	127-4754	3	Injector ASM	11	125-7215	2	Bolt
4	130-7430	3	Ring-Retaining	12	127-3813	2	Retainer
6	137-5173	3	O-Ring	14	127-3082	1	Rail In Pipe ASM
7	127-3812	1	Rail ASM	16	127-3814	1	Injection Pipe ASM
8	130-7431	1	Sensor-Pressure, Rail	17	127-3083	1	Injection Pipe ASM
9	130-7432	1	Valve ASM	18	127-3084	1	Injection Pipe ASM
10	130-7433	1	O-Ring	19	125-7231	2	Nut

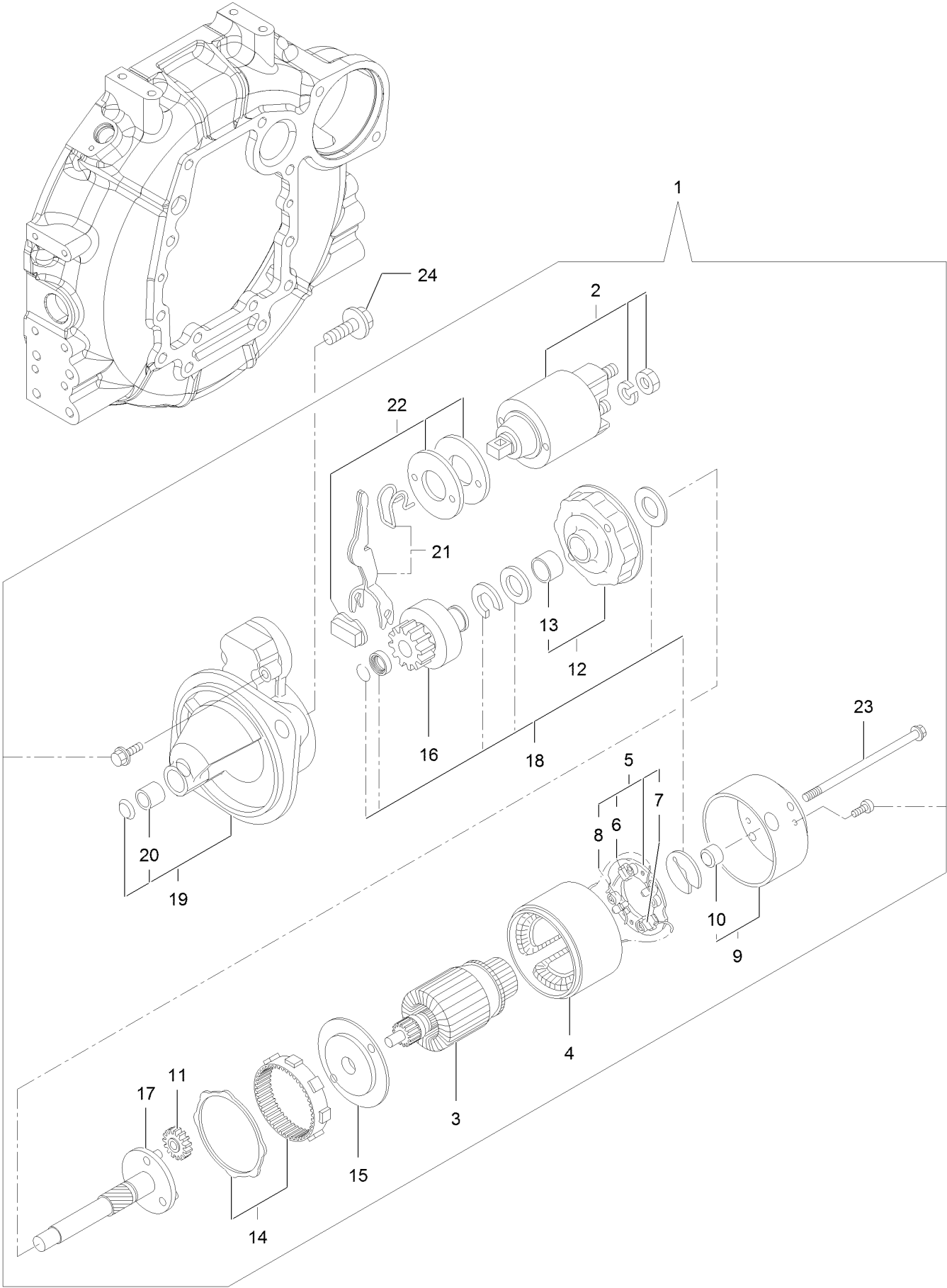
Fuel Line Assembly



Fuel Line Assembly (continued)

<i>Ref.</i>	<i>Part Number</i>	<i>Qty.</i>	<i>Description</i>	<i>Ref.</i>	<i>Part Number</i>	<i>Qty.</i>	<i>Description</i>
1	127-3075	1	Fuel/Oil Filter ASM	13	127-2981	1	Band
2	127-3076	1	Fuel/Oil Filter Bracket ASM	14	135-4023	1	Pipe ASM-Fo Return
3	125-8752	1	Filter-Fuel/Oil	16	127-3172	1	Clamp-Hose
4	125-7216	2	Bolt	17	127-3078	1	Fuel Pipe ASM
5	125-7111	1	Lifter	20	125-7191	2	Clamp-Hose
6	127-3815	1	Filter Bracket ASM	21	127-3817	1	Fuel Pipe ASM
7	125-7215	2	Bolt	22	127-2950	2	Clip-Hose
8	125-7215	1	Bolt	25	127-3087	1	Band-Clip
9	127-3077	1	Fuel Pipe ASM	26	127-3079	1	Fuel Pipe ASM
12	125-7191	2	Clamp-Hose	27	127-2950	2	Clip-Hose

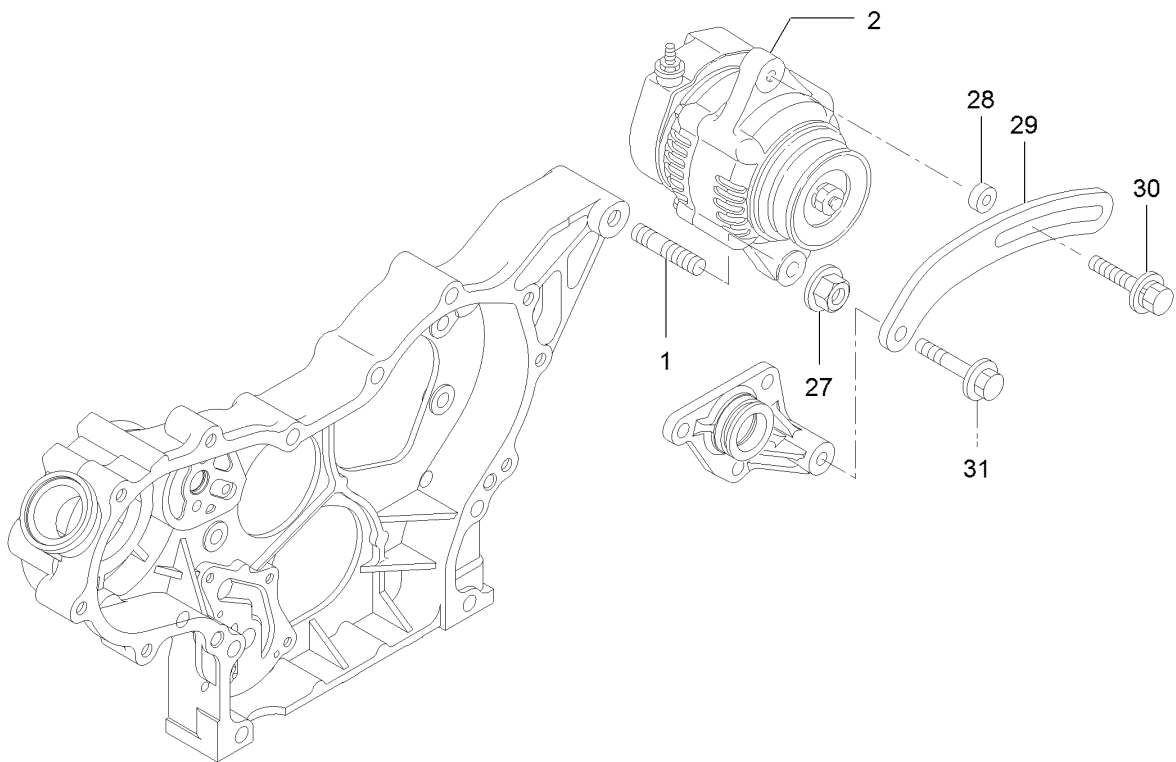
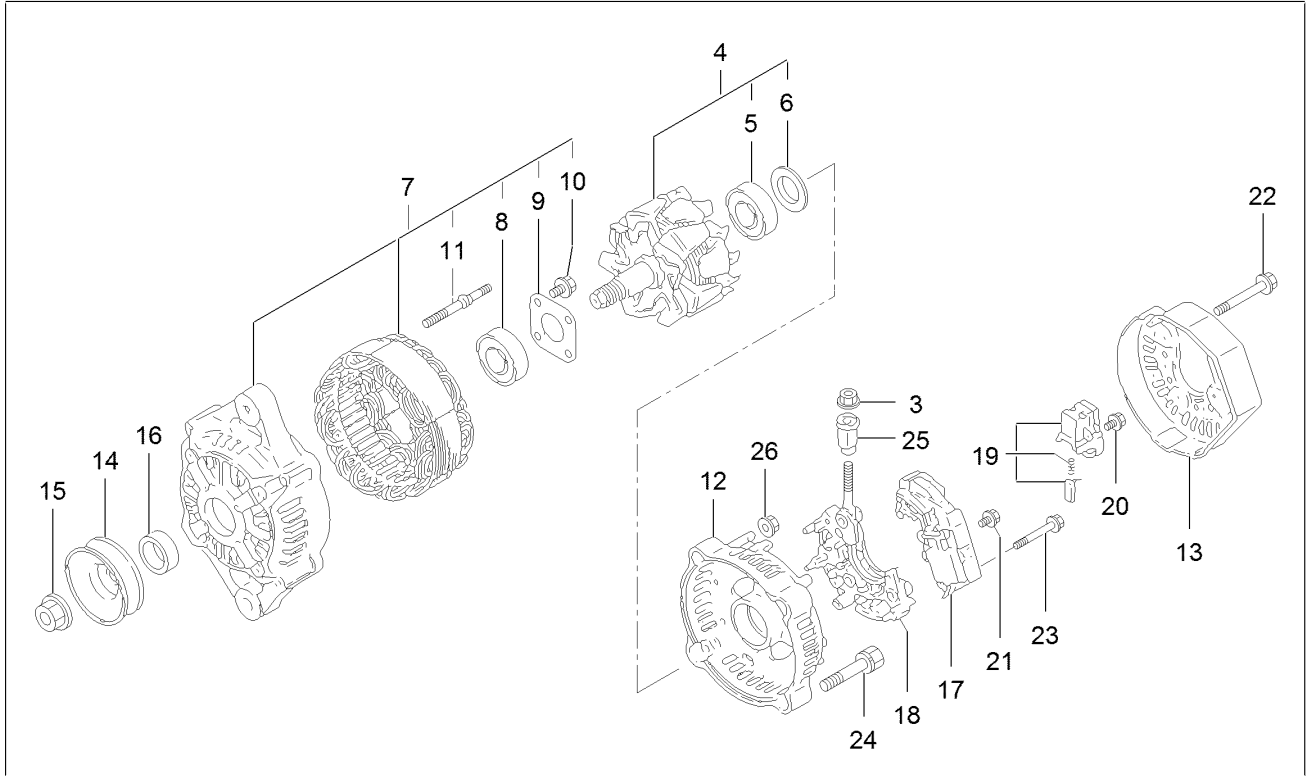
Starting Motor Assembly



Starting Motor Assembly (continued)

<i>Ref.</i>	<i>Part Number</i>	<i>Qty.</i>	<i>Description</i>	<i>Ref.</i>	<i>Part Number</i>	<i>Qty.</i>	<i>Description</i>
1	127-3818	1	Starter ASM	13	127-3830	1	Bracket
2	127-3819	1	Switch ASM	14	127-3831	1	Gear
3	127-3820	1	Armature ASM	15	127-3832	1	Bracket
4	127-3821	1	Yoke ASM	16	127-3833	1	Pinion ASM
5	127-3822	1	Brush Holder ASM	17	127-3834	1	Shaft
6	127-3823	2	Brush	18	127-3835	1	Washer Set
7	127-3824	1	Brush Set	19	127-3836	1	Case ASM
8	127-3825	4	Spring	20	127-3837	1	Metal-Starter
9	127-3826	1	Cover ASM	21	127-3838	1	Lever Set
10	127-3827	1	Metal	22	127-3839	1	Dust Cover ASM
11	127-3828	3	Gear	23	135-4024	2	Bolt-Through
12	127-3829	1	Bracket	24	125-7225	2	Bolt

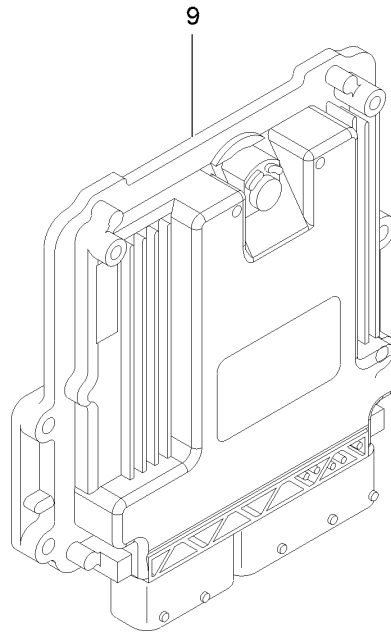
Generator Assembly



Generator Assembly (continued)

<i>Ref.</i>	<i>Part Number</i>	<i>Qty.</i>	<i>Description</i>	<i>Ref.</i>	<i>Part Number</i>	<i>Qty.</i>	<i>Description</i>
1	127-3011	1	Stud	17	135-4026	1	Regulator ASM
2	127-3841	1	Generator	18	127-3848	1	Holder
3	127-3190	1	Nut	19	127-2993	1	Holder
4	127-3843	1	Rotor ASM	20	127-2965	6	Screw
5	127-2983	1	Bearing-Ball	21	127-2966	1	Screw
6	127-2962	1	Cover	22	127-2967	3	Bolt
7	135-4025	1	Frame ASM	23	127-2968	2	Screw
8	127-2958	1	Bearing-Ball	24	127-2969	2	Bolt
9	127-2959	1	Plate-Retainer	25	127-2970	1	Bushing-Insulation
10	127-2960	4	Screw	26	127-2971	2	Nut
11	127-2961	2	Stud	27	125-7230	1	Nut
12	127-3845	1	Frame	28	125-6947	1	Spacer
13	127-3846	1	Cover	29	127-2977	1	Adjuster
14	127-2954	1	Pulley	30	135-4027	1	Bolt-Adjust
15	127-2955	1	Nut	31	125-7219	1	Bolt
16	127-2957	1	Collar				

Electronic Control Unit Assembly

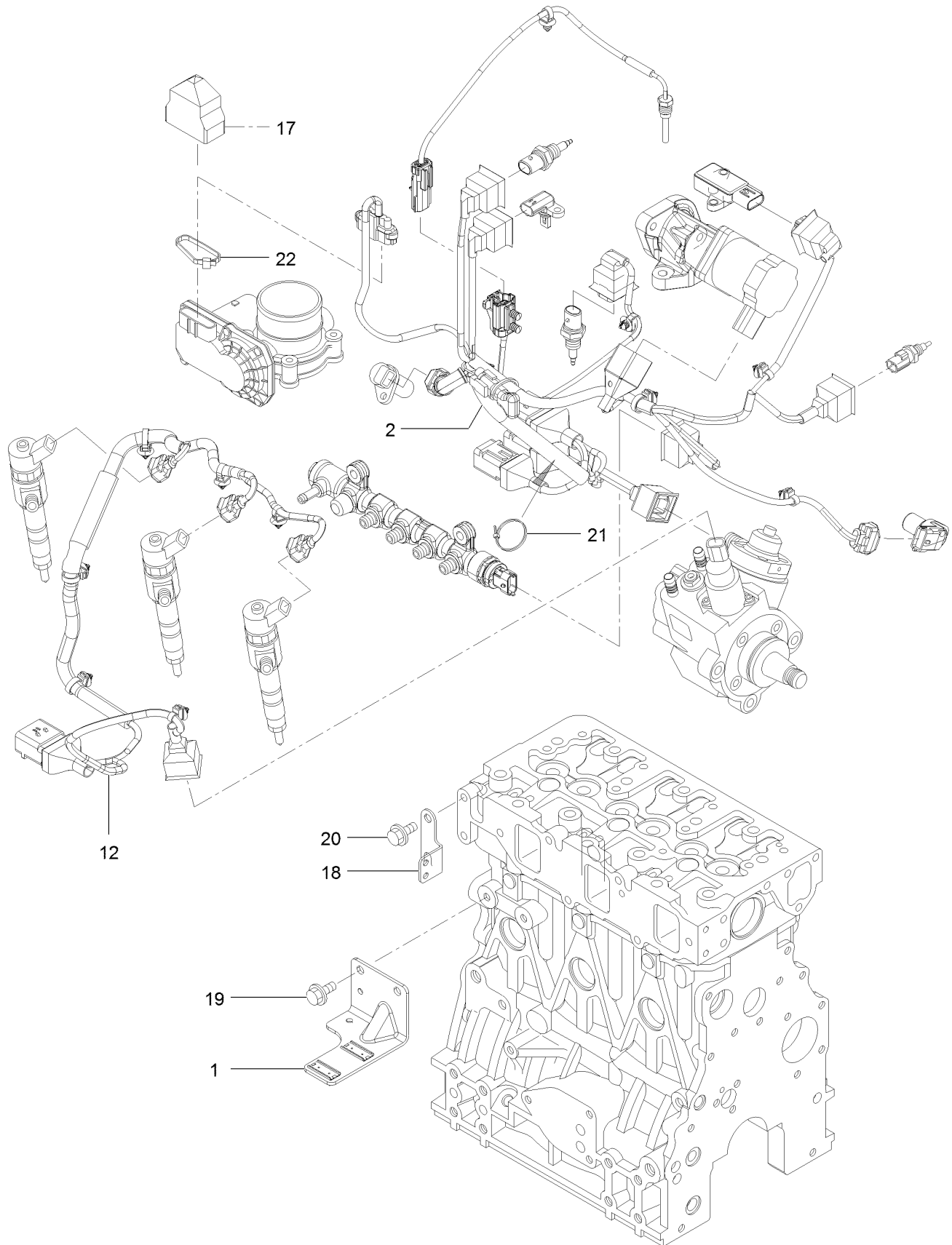


Electronic Control Unit Assembly (continued)

<i>Ref.</i>	<i>Part Number</i>	<i>Qty.</i>	<i>Description</i>
9	127-3085	1	E C U ASM ●

● Contact an Authorized Service Dealer

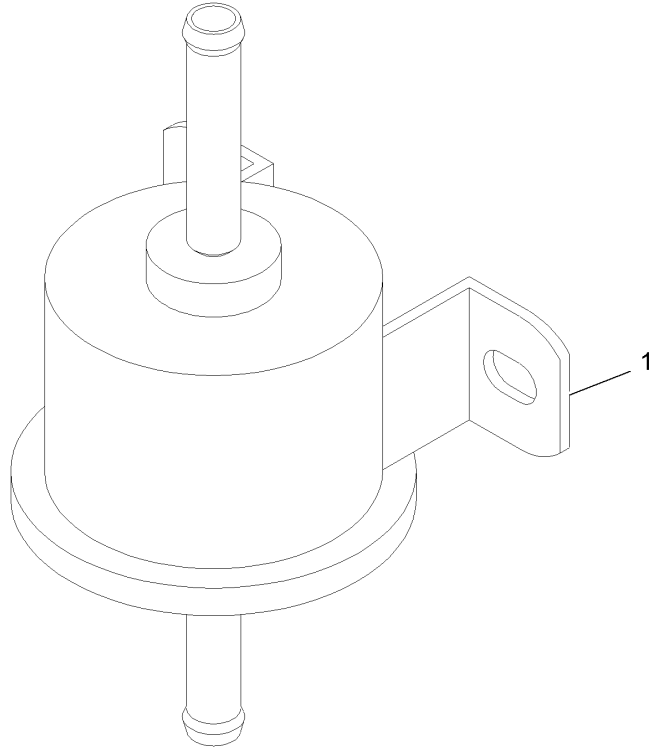
Electric Parts Assembly



Electric Parts Assembly (continued)

<i>Ref.</i>	<i>Part Number</i>	<i>Qty.</i>	<i>Description</i>	<i>Ref.</i>	<i>Part Number</i>	<i>Qty.</i>	<i>Description</i>
1	130-7436	1	Bracket-Connector	19	125-7213	2	Bolt
2	135-4029	1	Harness	20	125-7212	2	Bolt
12	130-7438	1	Harness	21	127-3187	1	Band
17	131-2713	1	Boot-Cap	22	127-3188	1	Band
18	127-3090	1	Bracket-Harness				

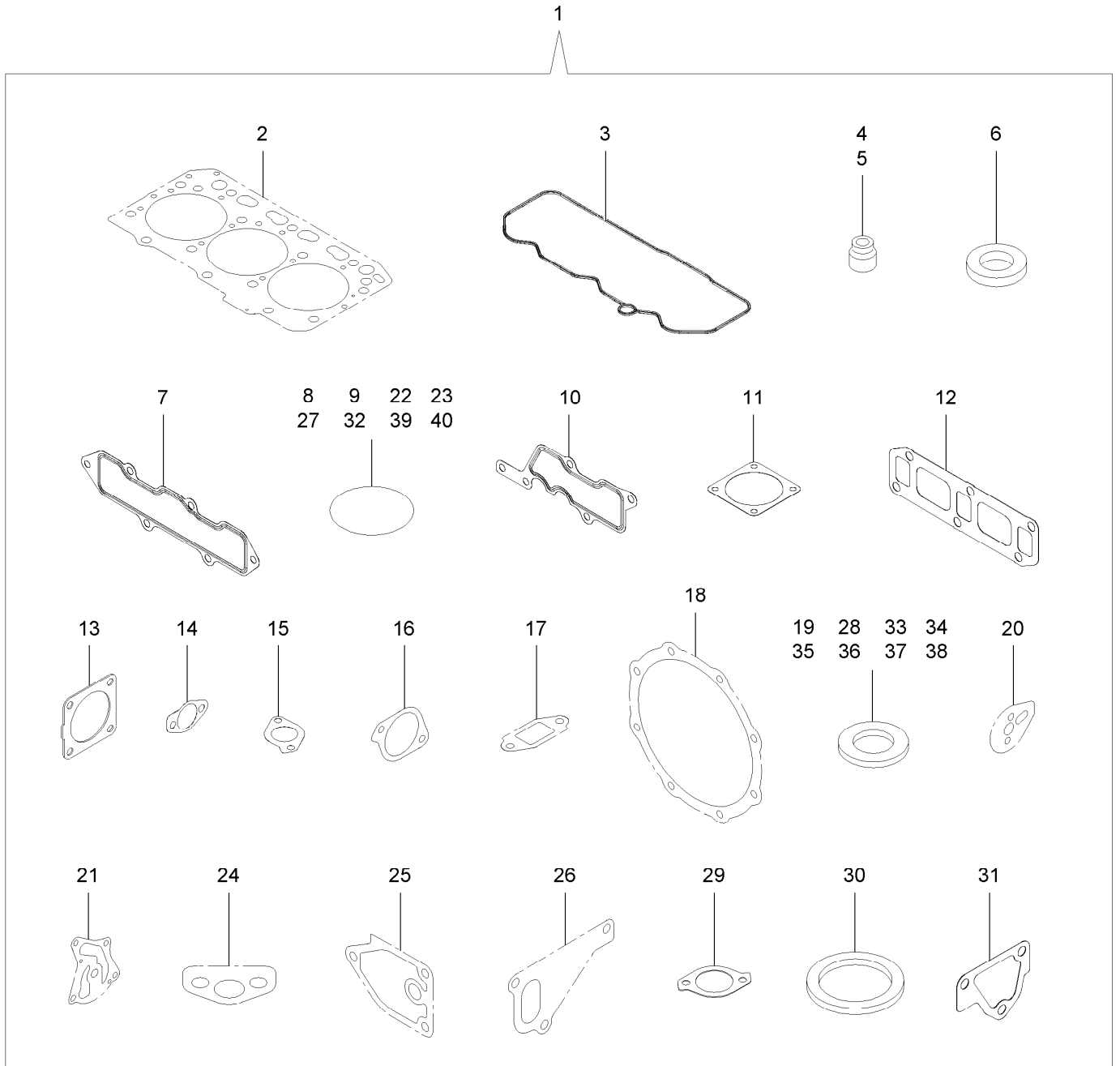
Fuel Pump Assembly



Fuel Pump Assembly (continued)

<i>Ref.</i>	<i>Part Number</i>	<i>Qty.</i>	<i>Description</i>
1	121-5613	1	Pump-Fuel, Electric

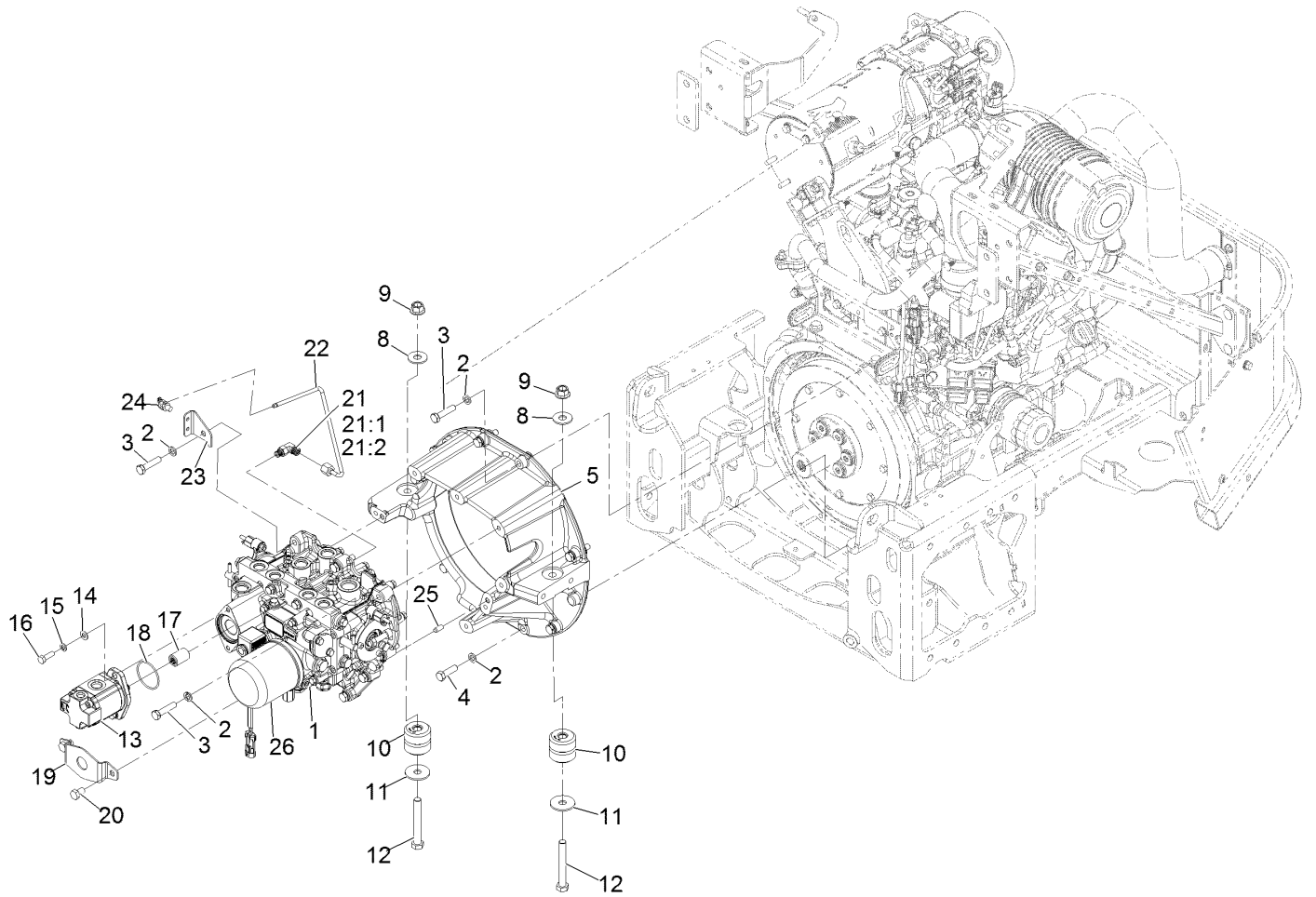
Gasket Set



Gasket Set (continued)

<i>Ref.</i>	<i>Part Number</i>	<i>Qty.</i>	<i>Description</i>	<i>Ref.</i>	<i>Part Number</i>	<i>Qty.</i>	<i>Description</i>
1	130-7440	1	Packing (Gasket Set)	21	127-3004	1	Gasket
2	127-4716	1	Head Gasket ASM	22	125-6909	2	O-Ring
3	127-3856	1	Gasket-Head, Cylinder	23	127-2973	1	O-Ring
4	127-2986	3	Seal-Stem, Valve	24	125-7022	1	Gasket
5	127-3027	3	Seal-Stem, Valve	25	125-7024	1	Gasket
6	127-3021	3	Gasket-Injector	26	125-7047	1	Gasket
7	127-3857	1	Gasket-Manifold, Intake	27	125-7048	1	O-Ring
8	127-3032	2	O Ring-Sensor, Pressure	28	125-6979	1	Gasket
9	127-3033	1	O-Ring	29	125-7110	1	Gasket
10	127-3034	1	Gasket-Collector	30	125-7026	1	Gasket
11	127-3037	2	Gasket-Throttle	31	125-6978	1	Gasket
12	127-3775	1	Gasket-Manifold, Exhaust	32	127-3074	1	O-Ring
13	127-2987	1	Gasket-Silencer	33	125-7174	1	Washer-Seal
14	127-3043	2	Gasket-Cooler, E G R	34	125-7176	1	Washer-Seal
15	127-3016	1	Gasket	35	127-3166	2	Washer-Seal
16	127-3050	1	Gasket-Intake Valve, E G R	36	125-7177	1	Washer-Seal
17	127-3051	1	Gasket-Out Valve, E G R	37	125-7192	1	Gasket
18	127-3859	2	Gasket-D P F	38	127-3174	2	Gasket
19	127-3056	4	Gasket-Sensor	39	93-0418	3	O-Ring
20	127-3069	1	Gasket-Idle, Shaft B	40	125-7197	2	O-Ring

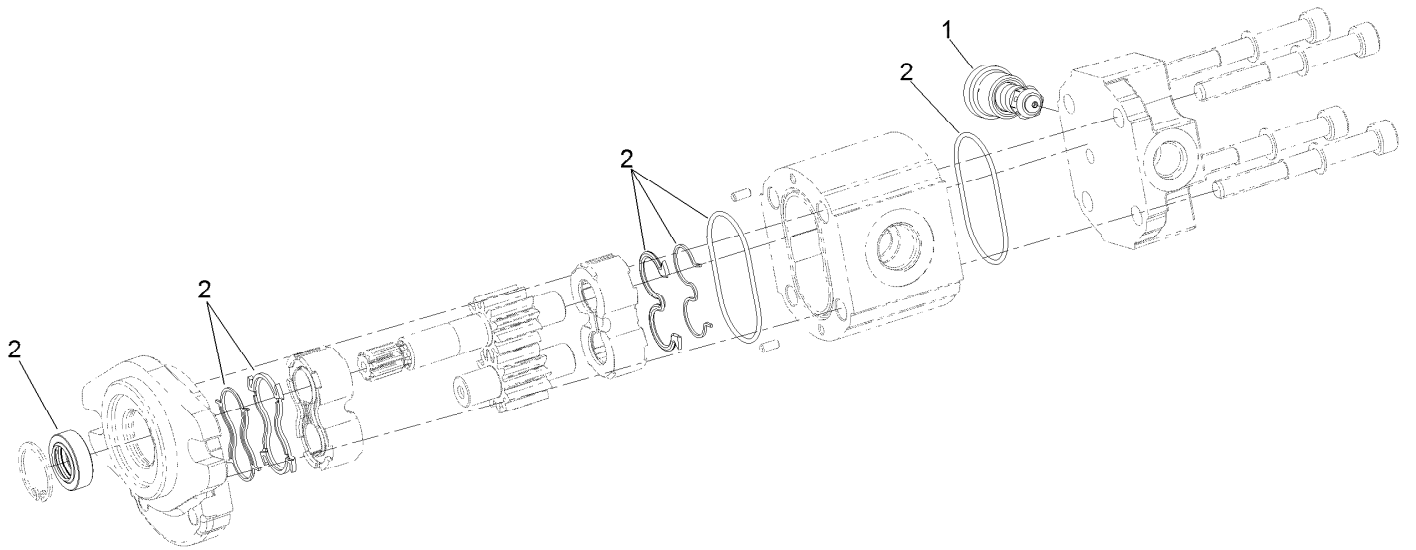
Transmission Assembly



Transmission Assembly (continued)

<i>Ref.</i>	<i>Part Number</i>	<i>Qty.</i>	<i>Description</i>	<i>Ref.</i>	<i>Part Number</i>	<i>Qty.</i>	<i>Description</i>
1	131-5510	1	Transmisson ASM	16	33114-025	2	Screw-HH M8-1.25 X 25Mm
2	48-9590	16	Washer-Lock	17	108-9920	1	Coupler-Spline
3	33115-045	13	Screw-HH	18	108-9919	1	O-Ring
4	33115-035	3	Screw-HH M10-1.5 X 25Mm	19	114-4088	1	Shield-Seal
5	125-2836	1	Housing-Flywheel	20	33115-016	2	Screw-HH
8	3256-6	2	Washer	21	340-132	1	Fitting-Elbow, 90 DEG
9	99-5107	2	Nut-Lock 1/2-13	21:1	237-78	1	O-Ring
10	126-6095	2	Mount-Isolator	21:2	237-21	1	O-Ring
11	86-1990	2	Washer	22	126-8689	1	Tube ASM
12	325-15	2	Screw-HH	23	126-6806	1	Support-Tube
13	112-9542	1	HYD Gear Pump ASM	24	32180-030	1	Clip-Tie
14	3256-23	2	Washer-5/16 SAE	25	87-1910	2	Pin-Dowel
15	3253-4	2	Washer-Lock 5/16	26	135-2252	1	Filter-Oil, HYD

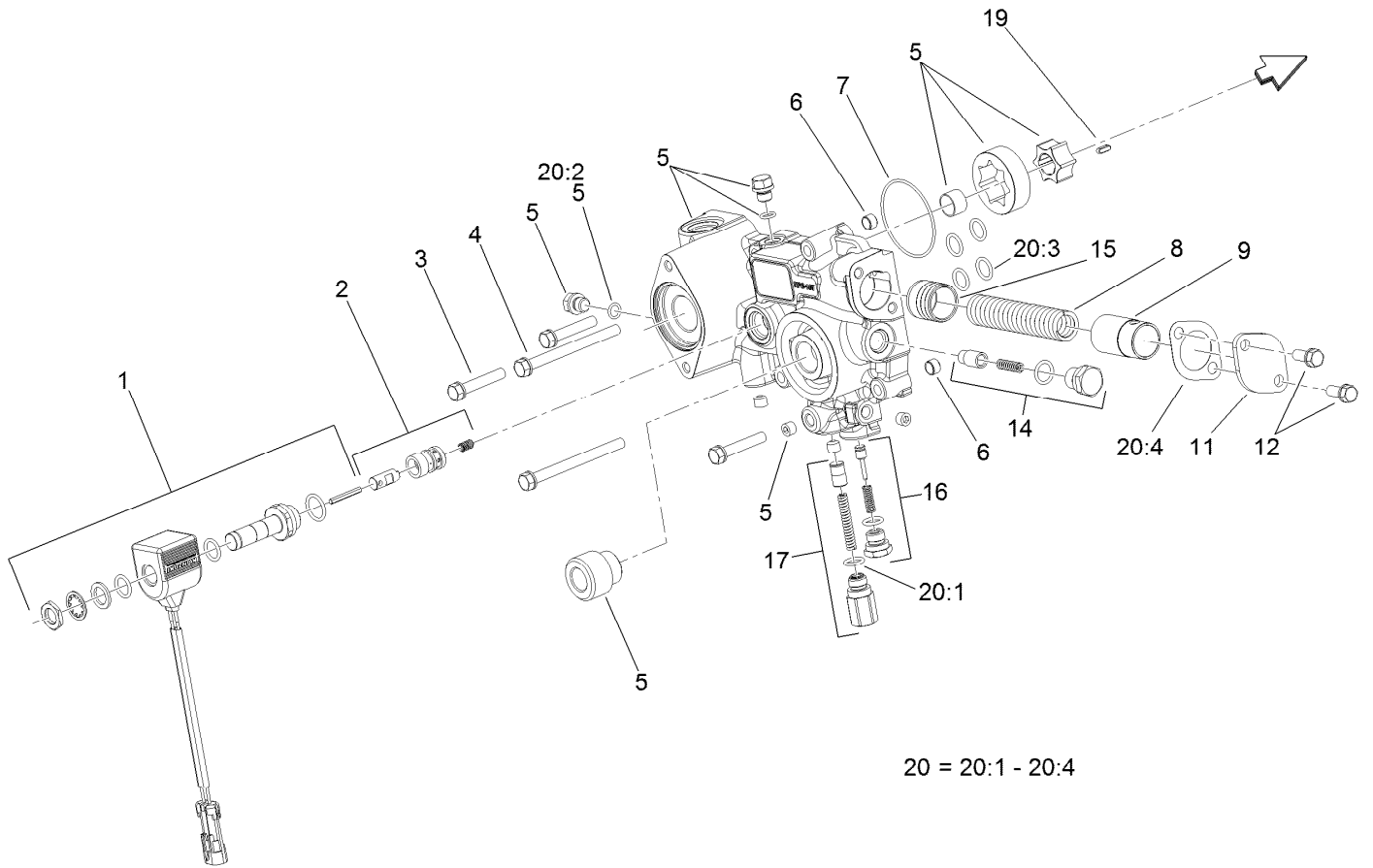
Hydraulic Gear Pump Assembly



Hydraulic Gear Pump Assembly (continued)

<i>Ref.</i>	<i>Part Number</i>	<i>Qty.</i>	<i>Description</i>
1	112-0198	1	Valve
2	112-0199	1	Seal Kit

Transmission Assembly (cont.) Charge Pump Housing Assembly



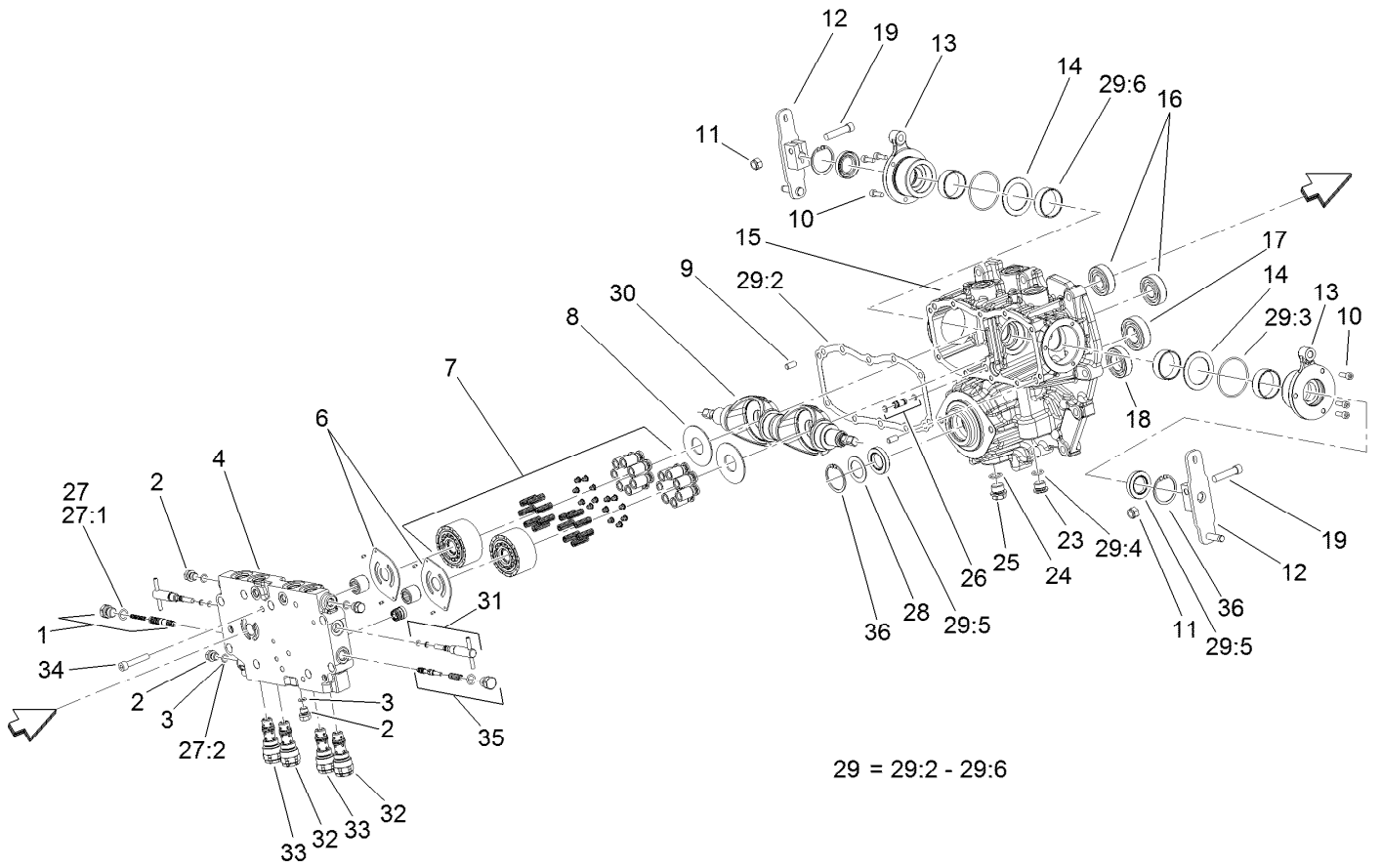
20 = 20:1 - 20:4

Transmission Assembly (cont.) Charge Pump Housing Assembly (continued)

<i>Ref.</i>	<i>Part Number</i>	<i>Qty.</i>	<i>Description</i>	<i>Ref.</i>	<i>Part Number</i>	<i>Qty.</i>	<i>Description</i>
1	107-0851	1	Solenoid ASM	14	107-0843	1	Filter Bypass Valve ASM
2	107-0850	1	Solenoid Valve ASM	15	107-0818	1	Piston
3	107-0863	3	Bolt	16	107-0842	1	Charge Relief Valve ASM
4	107-0864	2	Bolt	17	107-0841	1	Pressure Valve ASM
5	107-0840	1	Pump Body ASM	19	107-0865	1	Key
6	107-0848	2	Pin	20	107-0855	1	Charge Pump Seal Kit
7	107-0856	1	O-Ring	20:1	93-0418	2	O-Ring
8	107-0845	1	Spring	20:2	107-0817	2	O Ring-Plug
9	107-0844	1	Collar	20:3	104-3298	6	Packing
11	107-0846	1	Cover	20:4	107-0847	1	Gasket
12	93-0457	2	Bolt And Washer ASM				

Transmission Assembly (cont.)

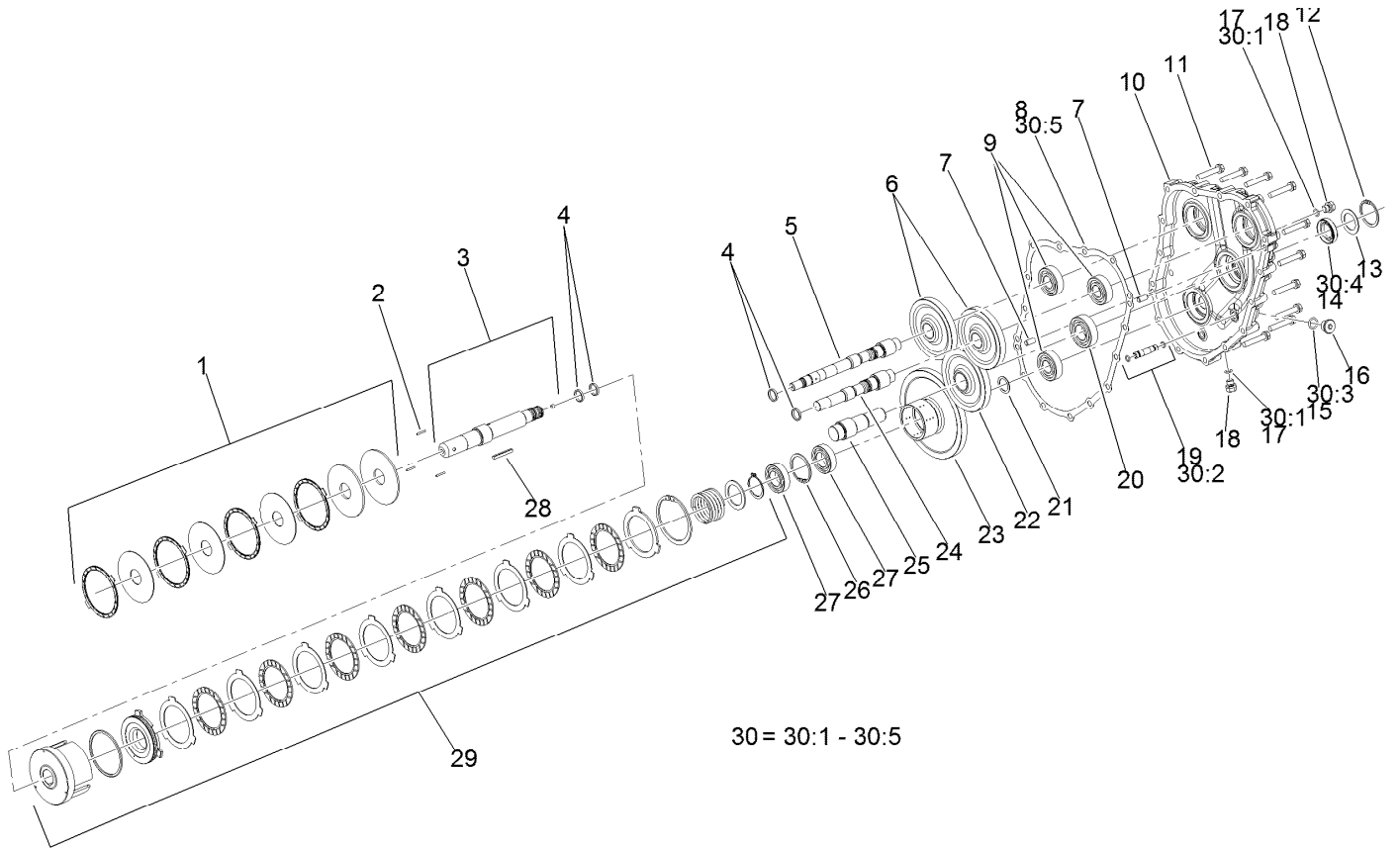
Center Section Assembly



Transmission Assembly (cont.) Center Section Assembly (continued)

<i>Ref.</i>	<i>Part Number</i>	<i>Qty.</i>	<i>Description</i>	<i>Ref.</i>	<i>Part Number</i>	<i>Qty.</i>	<i>Description</i>
1	107-0807	1	Valve-Flushing, RH	25	107-0867	1	Plug
2	107-0857	6	Plug	26	107-0812	1	Pipe
3	107-0817	6	O Ring-Plug	27	107-0852	1	Center Case Seal Kit
4	121-3377	1	Center Case, Complete	27:1	93-0418	2	O-Ring
6	107-0805	2	Plate-Valve	27:2	107-0817	6	O Ring-Plug
7	107-0824	2	Cylinder Block ASM	28	107-0813	1	Spacer
8	107-0830	2	Plate-Thrust	29	107-0853	1	Pump Housing Seal Kit
9	92-0765	4	Pin-Parallel	29:2	107-0810	1	Gasket-Case, Center
10	107-0859	6	Bolt	29:3	107-0817	2	O Ring-Plug
11	120-6681	2	U-Nut	29:4	104-3298	1	Packing
12	120-6680	2	Arm-Control	29:5	107-0814	3	Seal
13	107-0832	2	Side Cover ASM	29:6	107-0825	4	Ring-Seal
14	107-0829	2	Washer	30	120-6679	2	Plate-Swash
15	120-5151	1	Pump Housing ASM	31	107-0808	2	Valve-Bypass
16	107-0826	2	Bearing	32	107-0804	2	Valve-Rear
17	107-0821	1	Bearing	33	107-0803	2	Valve-Front
18	107-0838	1	Bearing	34	107-0863	8	Bolt
19	120-6682	2	Bolt	35	107-0806	1	Valve-Flushing, LH
23	107-0861	1	Plug-NPTF	36	92-0757	2	Ring-Snap
24	237-79	1	O-Ring				

Transmission Assembly (cont.) Gear Case and Clutch Assembly

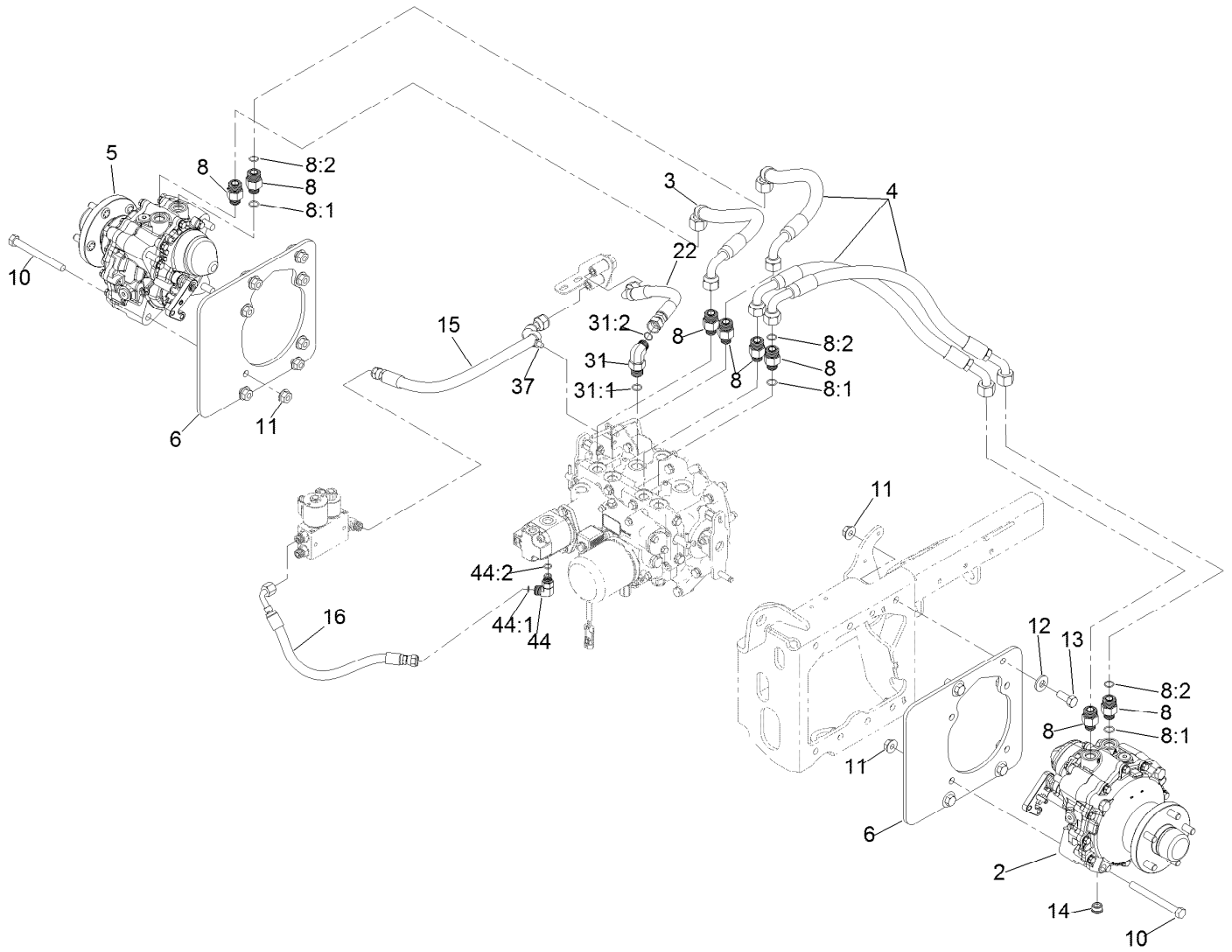


Transmission Assembly (cont.) Gear Case and Clutch Assembly (continued)

<i>Ref.</i>	<i>Part Number</i>	<i>Qty.</i>	<i>Description</i>	<i>Ref.</i>	<i>Part Number</i>	<i>Qty.</i>	<i>Description</i>
1	107-0839	1	PTO Brake ASM	19	107-0811	1	Pipe
2	107-0837	3	Rod-Push	20	107-0821	2	Bearing
3	107-0833	1	PTO Shaft ASM	21	107-0836	1	Spacer
4	107-0825	2	Ring-Seal	22	107-0820	1	Gear-Input
5	107-0827	1	Shaft-Pump	23	107-0834	1	Gear-PTO
6	107-0823	2	Gear-Pump	24	107-0822	1	Shaft-Pump
7	92-0765	4	Pin-Parallel	25	107-0819	1	Shaft-Input
8	107-0816	1	Gasket-Housing, Gear	26	92-0758	1	Ring-Snap
9	107-0826	4	Bearing	27	107-0838	3	Bearing
10	120-5152	1	Housing-Case, Gear	28	107-0866	1	Key
11	107-0863	13	Bolt	29	107-0835	1	Clutch Cylinder ASM
12	92-0757	1	Ring-Snap	30	107-0854	1	Gear Housing Seal Kit
13	107-0813	1	Spacer	30:1	107-0817	2	O Ring-Plug
14	107-0814	1	Seal	30:2		2	O-Ring ●
15	104-3298	1	Packing	30:3	104-3298	1	Packing
16	107-0861	1	Plug-NPTF	30:4	107-0814	1	Seal
17	107-0817	6	O Ring-Plug	30:5	107-0816	1	Gasket-Housing, Gear
18	107-0857	6	Plug				

● Not serviced separately

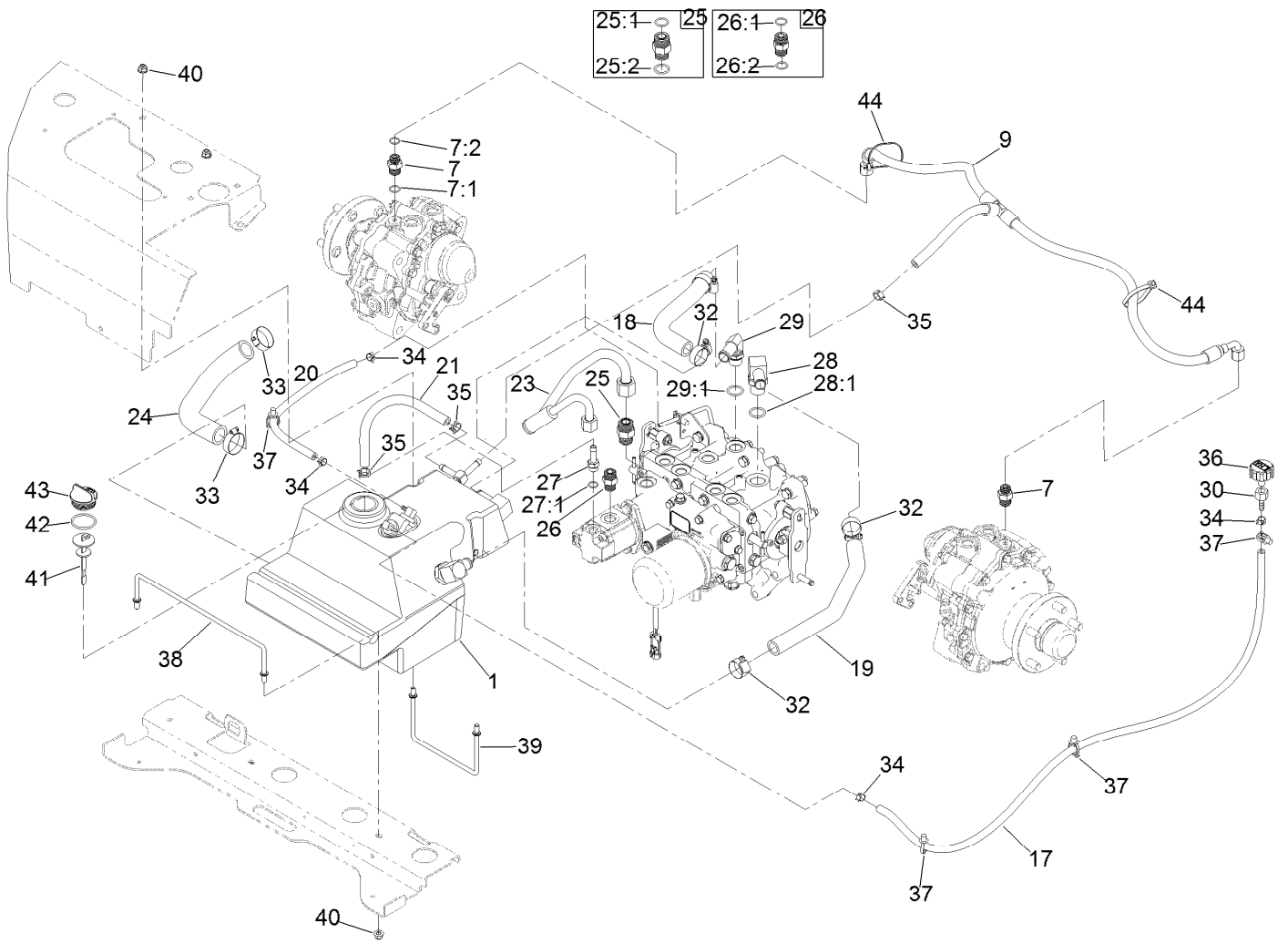
Hydraulic Drive Assembly



Hydraulic Drive Assembly (continued)

<i>Ref.</i>	<i>Part Number</i>	<i>Qty.</i>	<i>Description</i>	<i>Ref.</i>	<i>Part Number</i>	<i>Qty.</i>	<i>Description</i>
2	126-8134	1	Motor-HYD, LH	14	126-8282	2	Plug-Magnetic
3	126-8686	1	Hose ASM	15	126-8685	1	Hose ASM
4	126-8687	3	Hose ASM	16	126-8684	1	Hose ASM
5	126-8133	1	Motor-HYD, RH	22	126-8682	1	Hose ASM
6	126-7469-03	2	Plate-Motor	31	340-105	1	Fitting-Elbow, 90 DEG
8	340-155	8	Fitting-Straight	31:1	237-80	1	O-Ring
8:1	237-79	1	O-Ring	31:2	237-30	1	O-Ring
8:2	237-151	1	O-Ring	37	32180-030	1	Clip-Tie
10	325-19	8	Screw-HH 1/2-13 X 5	44	340-77	1	Fitting-Elbow, 90 DEG
11	32128-49	16	Nut-Whizlock 1/2-13	44:1	237-22	1	O-Ring
12	1-513435	8	Washer-Spring Disc 1/2	44:2	237-42	1	O-Ring
13	325-5	8	Screw-HH 1/2-13 X 1 1/4				

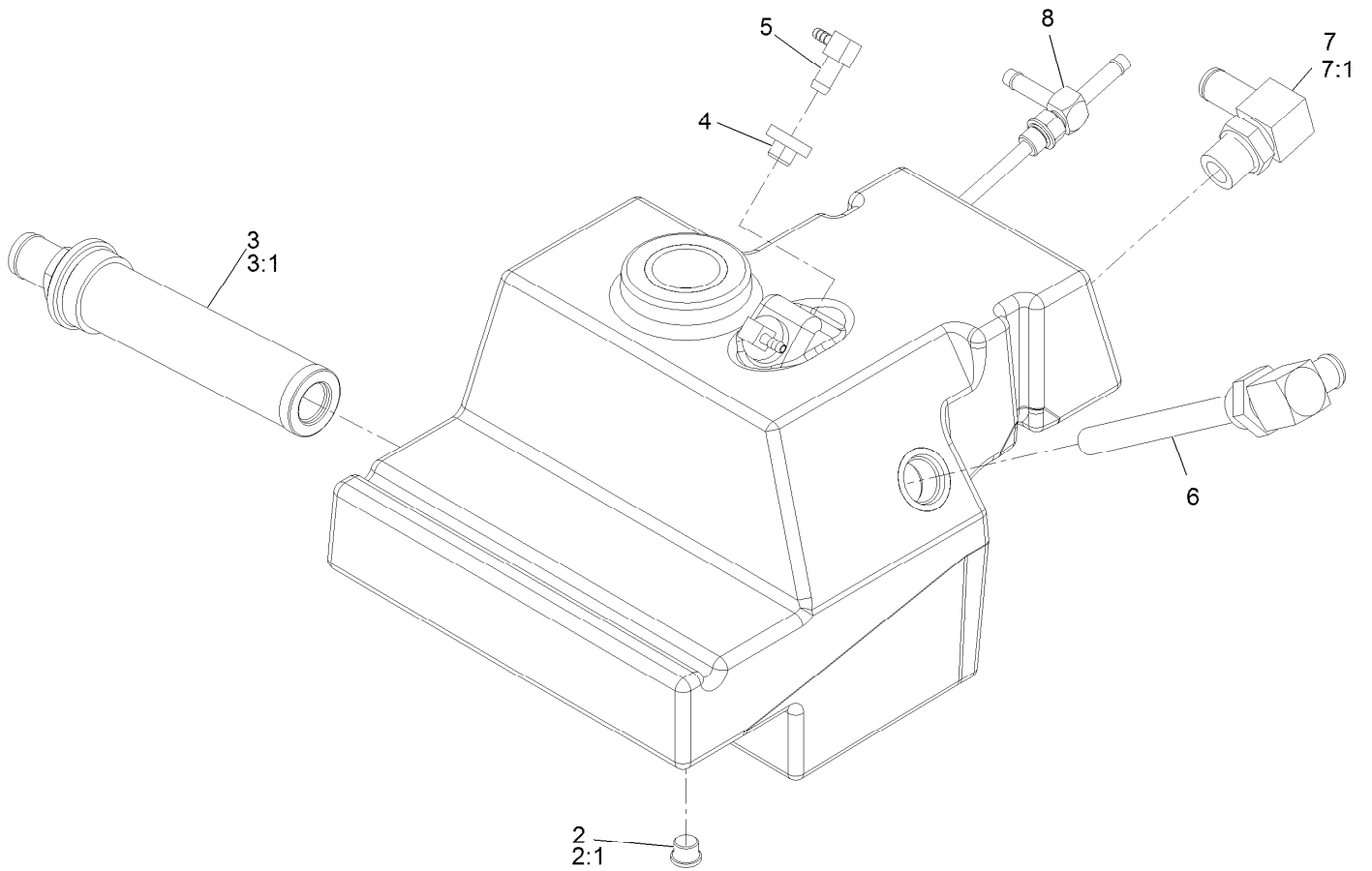
Hydraulic Assembly



Hydraulic Assembly (continued)

<i>Ref.</i>	<i>Part Number</i>	<i>Qty.</i>	<i>Description</i>	<i>Ref.</i>	<i>Part Number</i>	<i>Qty.</i>	<i>Description</i>
1	126-6764	1	HYD Reservoir ASM	27:1	237-42	1	O-Ring
7	340-3	2	Fitting-Straight	28	353-987	1	Fitting-Elbow, 90
7:1	237-22	1	O-Ring	28:1	237-81	1	O-Ring
7:2	237-79	1	O-Ring	29	87-8170	1	Fitting-90
9	135-3731	1	Tee Hose ASM	29:1	237-80	1	O-Ring
17	126-6776	1	Hose	30	354-95	1	Fitting-Straight
18	126-6767	1	Hose-Return	32	2412-129	4	Clamp-Hose
19	126-6768	1	Hose-Return	33	2412-34	2	Clamp-Hose
20	126-6778	1	Hose	34	2412-98	4	Clamp-Hose
21	126-6766	1	Hose	35	103-1988	3	Clamp-Hose 11/16
23	126-8688	1	Tube ASM	36	68-6150	1	Breather
24	126-6774	1	Hose-Suction	37	32180-030	4	Clip-Tie
25	340-7	1	Fitting-Straight	38	126-7547	1	Rod-Support, HYD Tank
25:1	237-65	1	O-Ring	39	126-7546	1	Rod-Support, HYD Tank
25:2	237-80	1	O-Ring	40	104-8300	4	Nut-Nyloc 5/16-18 Flg
26	340-4	1	Fitting-Straight	41	112-6365	1	Dipstick
26:1	237-30	1	O-Ring	42	94-8166	1	O-Ring
26:2	237-79	1	O-Ring	43	93-7498	1	Plug-Plastic
27	103-1912	1	Adapter-Straight	44	1-303335	2	Tie-Cable 7 15/16 (Large)

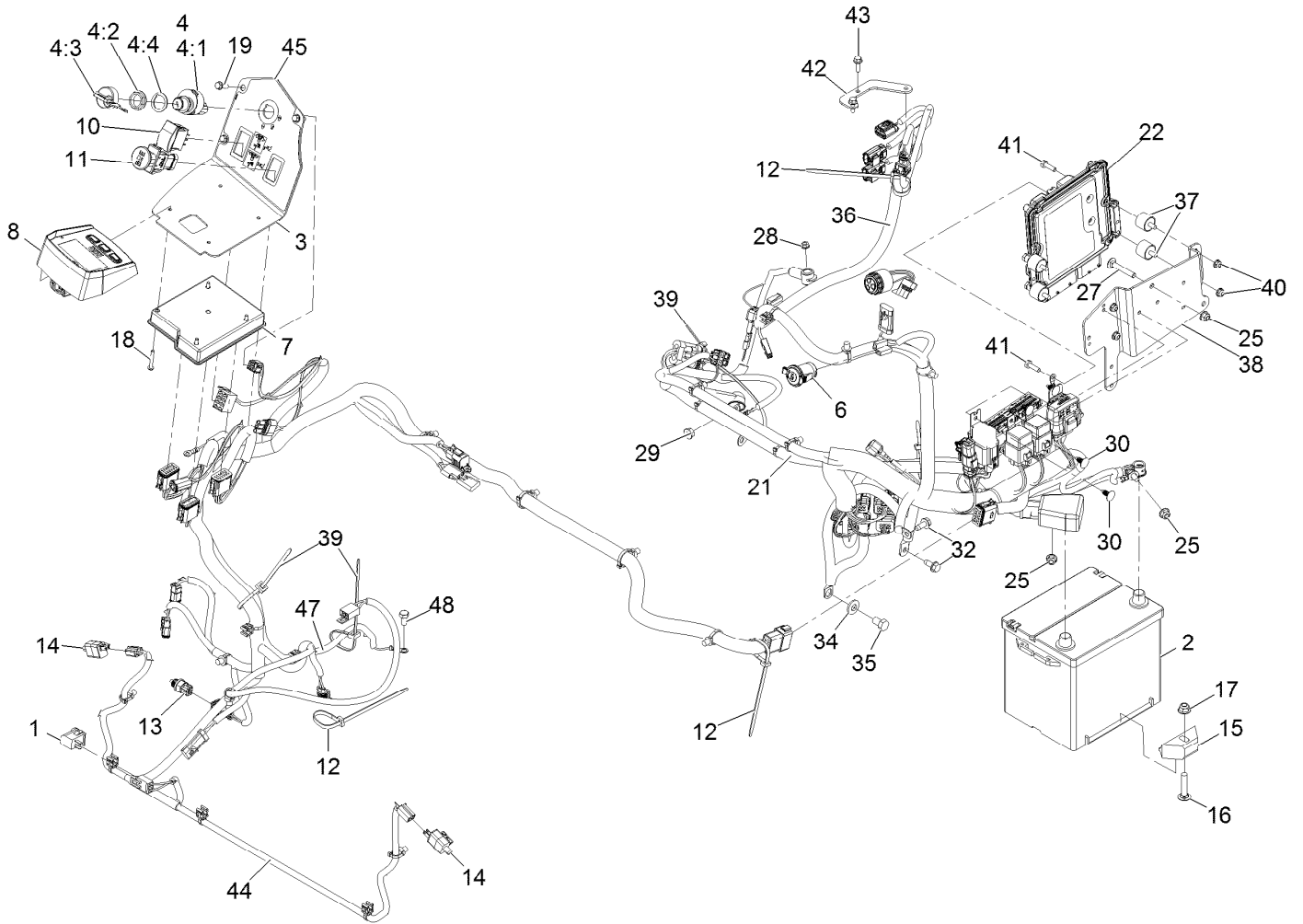
Hydraulic Reservoir Assembly



Hydraulic Reservoir Assembly (continued)

<i>Ref.</i>	<i>Part Number</i>	<i>Qty.</i>	<i>Description</i>	<i>Ref.</i>	<i>Part Number</i>	<i>Qty.</i>	<i>Description</i>
2	353-989	1	Plug-Hex, Hollow	5	104-5228	2	Fitting-Elbow, 90 DEG
2:1	237-42	1	O-Ring	6	126-6782	1	Fitting-Standpipe
3	104-7546	1	Tank Strainer ASM	7	353-987	1	Fitting-Elbow, 90
3:1	340-136	1	O-Ring	7:1	237-81	1	O-Ring
4	46-6560	2	Bushing	8	135-3740	1	Fitting-Tee, Drop Tube

Electrical Assembly



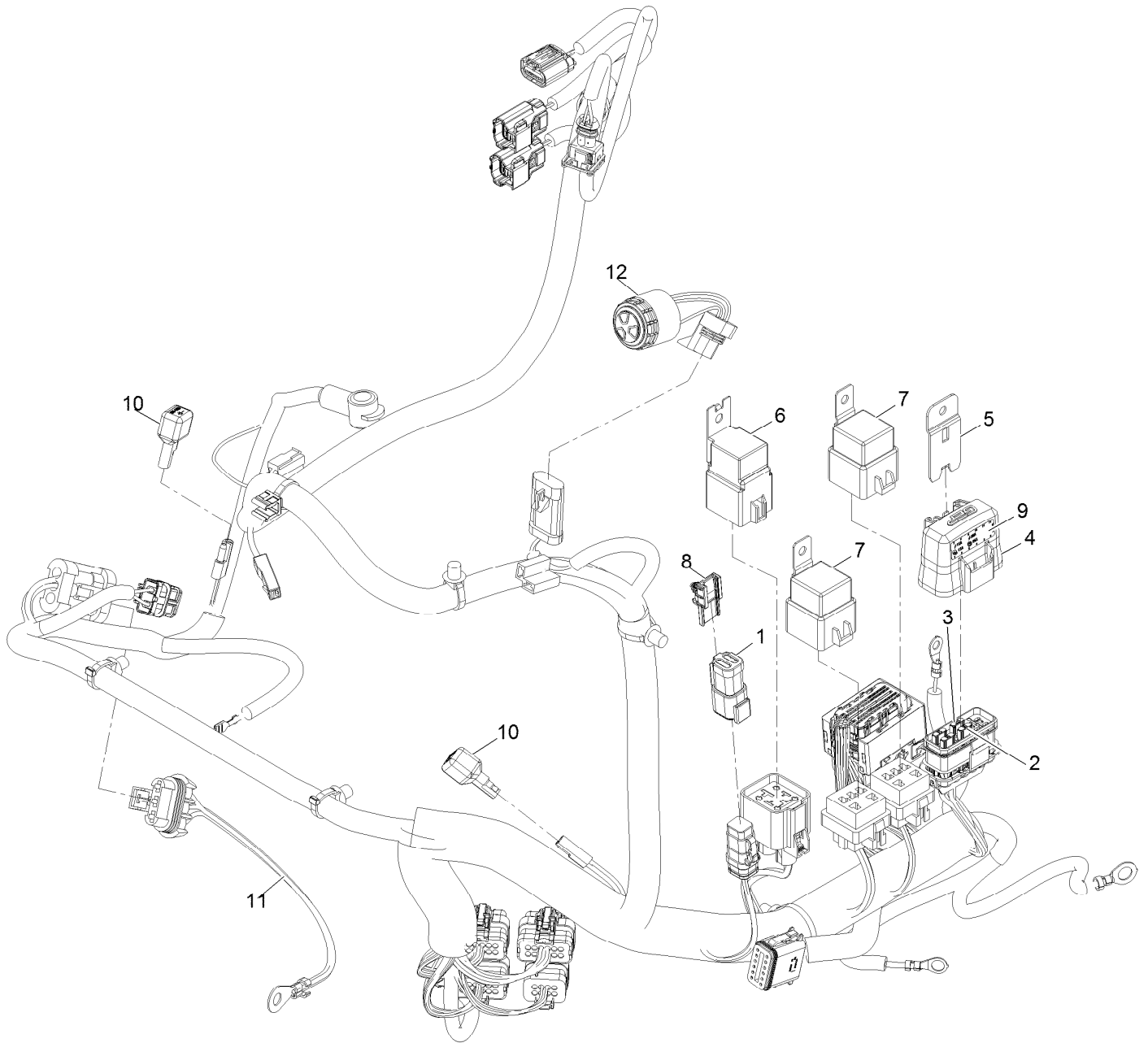
Electrical Assembly (continued)

<i>Ref.</i>	<i>Part Number</i>	<i>Qty.</i>	<i>Description</i>	<i>Ref.</i>	<i>Part Number</i>	<i>Qty.</i>	<i>Description</i>
1	82-2190	1	Switch	22	127-3085	1	E C U ASM
2		1	Battery-Dry ●	25	104-8300	4	Nut-Nyloc 5/16-18 Flg
3	135-6161	1	Console ASM	27	3230-6	2	Bolt-Carriage 3/16-18 X 2
4	126-6285	1	Ignition Switch ASM	28	33003-00	1	Nut-Hex M6-1 Flg
4:1		1	Switch-Ignition ●	29	127-2371	1	Nut-HF
4:2	108-8660	1	Nut-Mounting	30	117-2382	4	Plug-Plastic
4:3	106-5270	1	Ignition Key Set	32	32144-70	2	Screw-HWH 5/16-18 X 3/4 Tf
4:4	108-8659	1	Washer-Backup	34	98-5975	1	Washer-Spring Disc 3/8
6	126-6499	1	Port-Power, 12V	35	33115-016	1	Screw-HH
7	135-3427	1	Module-Mcu	36	126-7352	1	Harness-Wire ■
8	126-4232	1	Module, Ldu	37	125-2674	4	Mount-Cylindrical
10	100-1535	1	Switch	38	126-8706-03	1	Mount-Control Unit, Engine
11	126-6187	1	Switch-PTO, Sealed	39	3290-378	3	Tie-Cable
12	1-303335	3	Tie-Cable 7 15/16 (Large)	40	104-7201	4	Nut-Nyloc 1/4-20 Flg
13	126-7698	1	Sensor-Temperature	41	321-5	4	Screw-HH 1/4-20 X 7/8
14	110-6765	2	Switch	42	135-0071	1	Bracket-Wiring, Engine
15	66-2490	1	Retainer-Battery	43	33103-020	2	Screw-HHF
16	3231-5	1	Bolt-Carriage 3/8-16 X 1 3/4	44	126-8269	1	Harness-Wire
17	104-8301	1	Nut-Nyloc 3/8-16 Flg	45	135-0398	1	Decal-Console
18	126-5092	4	Screw-PPH	47	135-3998	1	Harness-Wire, Jumper ■
19	32105-15	3	Screw-Machine 1/4-20 X 3/4	48	99-5132	1	Bolt
21	126-7406	1	Cable-Battery				

● Not serviced separately

■ Use dielectric grease on all unsealed connectors and terminals only. Do not apply in sealed connectors.

Wire Harness Assembly



Wire Harness Assembly (continued)

<i>Ref.</i>	<i>Part Number</i>	<i>Qty.</i>	<i>Description</i>	<i>Ref.</i>	<i>Part Number</i>	<i>Qty.</i>	<i>Description</i>
1	32160-359	1	Connector (6M)	7	99-7430	2	Relay-Mini 280
2	121-8867	3	Fuse-Mini Blade, 15 Amp	8	32180-103	1	Clip-Connector
3	121-8869	1	Fuse-Mini Blade, 25 Amp	9	126-9351	1	Decal-Fuse
4	32180-176	1	Cover-Block, Fuse	10	100-4918	2	Diode
5	32180-177	1	Clip-Mounting	11	99-3441	1	Harness-Wire, Fusible Link
6	127-7514	1	Relay-70A	12	126-6286	1	Alarm-Dual Tone

Notes:



MAXIMIZE THE PERFORMANCE OF YOUR EXMARK MACHINE.



EXMARK® PREMIUM ENGINE OIL

Exmark now offers a family of engine oil viscosities to perform well in any environment. Each viscosity has the same synthetic formulation to give you what you need in punishing conditions. We designed each grade to the highest quality, making it ideal even for diesel applications. Coupled with Exmark Premium Fuel Treatment, we have the performance products to make your machine hum.

EXMARK PREMIUM ENGINE OIL SAE 30/10W-30

- Meets zero shear requirements of a straight grade SAE 30 as well as the cold temp properties of a 10W-30.
- Most versatile oil in the industry.
- Superior corrosion protection over conventional oil - even in corrosive, humid environments.

EXMARK PREMIUM ENGINE OIL SAE 20W-50

- Perfect for your big block engine, or any application in severe service.
- Same full synthetic formulation as all other Exmark Premium viscosities.
- Also effective for use in severe service small block engines.

EXMARK PREMIUM ENGINE OIL SAE 10W-50

- Full synthetic formulation gives you peak performance. Don't settle for less.
- Wide span multi-grade combines easy starting in cold weather with maximum protection in high temperature operation.
- Reduce friction & wear over standard mineral formulations.

EXMARK PREMIUM ENGINE OIL SAE 0W-40

- The perfect choice for when the weather turns cold or unpredictable, and your Exmark UTV has to perform.
- Commercial quality for severe service.
- Advanced additive package helps prevent corrosion from long-term storage.

EXMARK PREMIUM ENGINE OIL UTV FORMULATION

- 4-cycle high-temp formulation.
- Heavier viscosity, full synthetic, perfect for your UTV.

EXMARK PREMIUM UTV EXTREME CONDITIONS GEAR OIL

- SAE 80W-90, designed to keep your UTV performing at its peak.
- Shear stable, hypoid gear lube.
- Includes a premium additive system to combat wear, oxidation, rust & corrosion.

Available from your local Exmark dealer. Find your closest dealer at exmark.com

EXMARK ACCESSORIES AND OPTIONS*

MID-MOUNT RIDING ACCESSORIES AND OPTIONS

CUSTOM RIDE SEAT SUSPENSION SYSTEM	OPERATOR CONTROLLED DISCHARGE
FULL SUSPENSION SEAT	SUN SHADE
DECK LIFT ASSIST KIT	TRASH CONTAINER
HITCH KIT	TURF STRIPER
LIGHT KIT	ULTRA VAC COLLECTION SYSTEM
12V POWER PORT	ULTRA VAC QUICK DISPOSAL SYSTEM
MICRO-MULCH SYSTEM	

OUT-FRONT RIDING ACCESSORIES AND OPTIONS

CUSTOM RIDE SEAT SUSPENSION SYSTEM	SNOW BLADE
DUAL-TAIL WHEEL	SNOWBLOWER
FLOOR PAN EXTENDER	SUN SHADE
HITCH KIT	TRASH CONTAINER
LIGHT KIT	ULTRA VAC COLLECTION SYSTEM
MICRO-MULCH SYSTEM	ULTRA VAC QUICK DISPOSAL SYSTEM
ROLL OVER PROTECTION SYSTEM (ROPS)	WEATHER CAB

WALK-BEHIND ACCESSORIES AND OPTIONS

GRASS CATCHER	TURF STRIPER
MICRO-MULCH SYSTEM	STANDON

*Some accessories and options not available for some models.

Place Model No. and Serial No.
Label Here (Included in the Literature
Pack) or Fill in Below

Model No. _____

Serial No. _____

Date Purchased _____

Engine Model No. and Spec. No. _____

Engine Serial No. (E/No) _____

© 2018 Exmark Mfg. Co., Inc.
2101 Ashland Ave
Beatrice, NE 68310
All Rights Reserved

Part No. 4503-841 Rev. B
(402) 223-6375
Fax (402) 223-5489
Printed in the USA.

