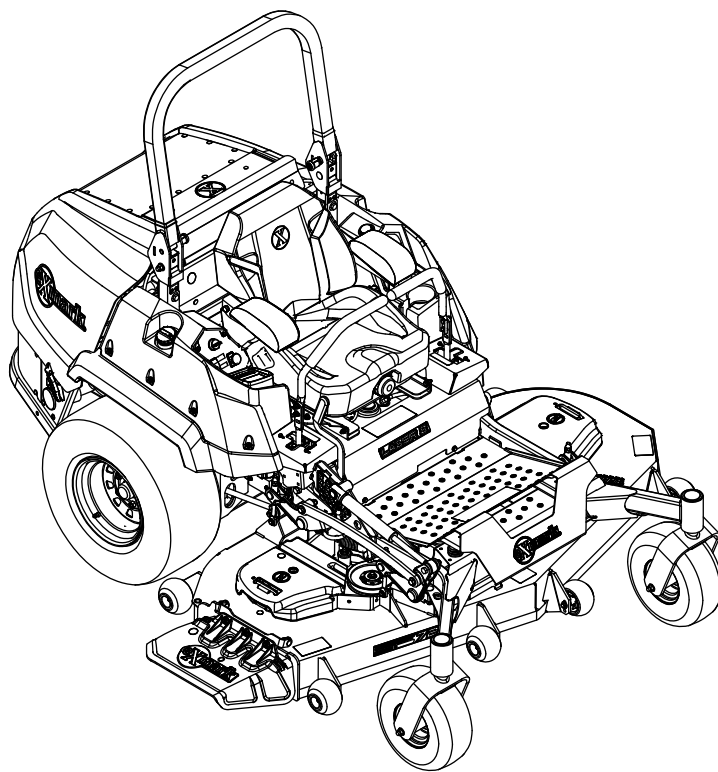




LAZER Z[®] DIESEL

Model No. LZS80TDYM604W0—Serial No. 402082300 and Up

Picture below may not reflect actual product.



Parts Manual

Part No. 4503-749 Rev. B

Ordering Replacement Parts

To order replacement parts, please supply the part number, the quantity, and the description of each part desired.

Understanding Reference Numbers

Each identified part in an illustration has a reference number. The reference number for a part also appears in the parts list, along with other information about the part.

This catalog uses two special reference number formats, one to indicate parts in a service assembly and another to indicate the quantity of a given part in an illustration.

Service Assembly Reference Numbers

Parts in service assemblies have reference numbers in the form a:b. The a represents the reference number of the entire service assembly and the b represents a sequential number unique to each part within the service assembly.

For example, a wheel assembly might be identified by reference number 6, the tire by 6:1, the valve by 6:2, and the wheel by 6:3. When you order the assembly identified by reference number 6, you receive all parts identified by reference numbers 6:1, 6:2, and 6:3. However, you may also order any part individually. Reference numbers of this type appear in illustration and in parts lists.

Reference Numbers Indicating Quantity

In an illustration, if a reference number indicates more than one part, the reference number has the form nX y. The n represents the quantity of the part, the X is the multiplication symbol, and the y represents the reference number.

For example, in an illustration, the reference number 2X 37 means that two of the parts identified by reference number 37 are indicated.

Touch Up Paint

Exmark black touch up spray paint – gloss black.

Exmark red touch up paint (spray paint – P/N 1-850337 - .6 oz liquid bottle – P/N 103-9140).



If your Exmark dealer does not have the Exmark part in stock, Exmark will get the parts to the dealer the next business day or the part will be FREE Guaranteed!! (Some restrictions apply. See your participating Exmark Dealer for details.)

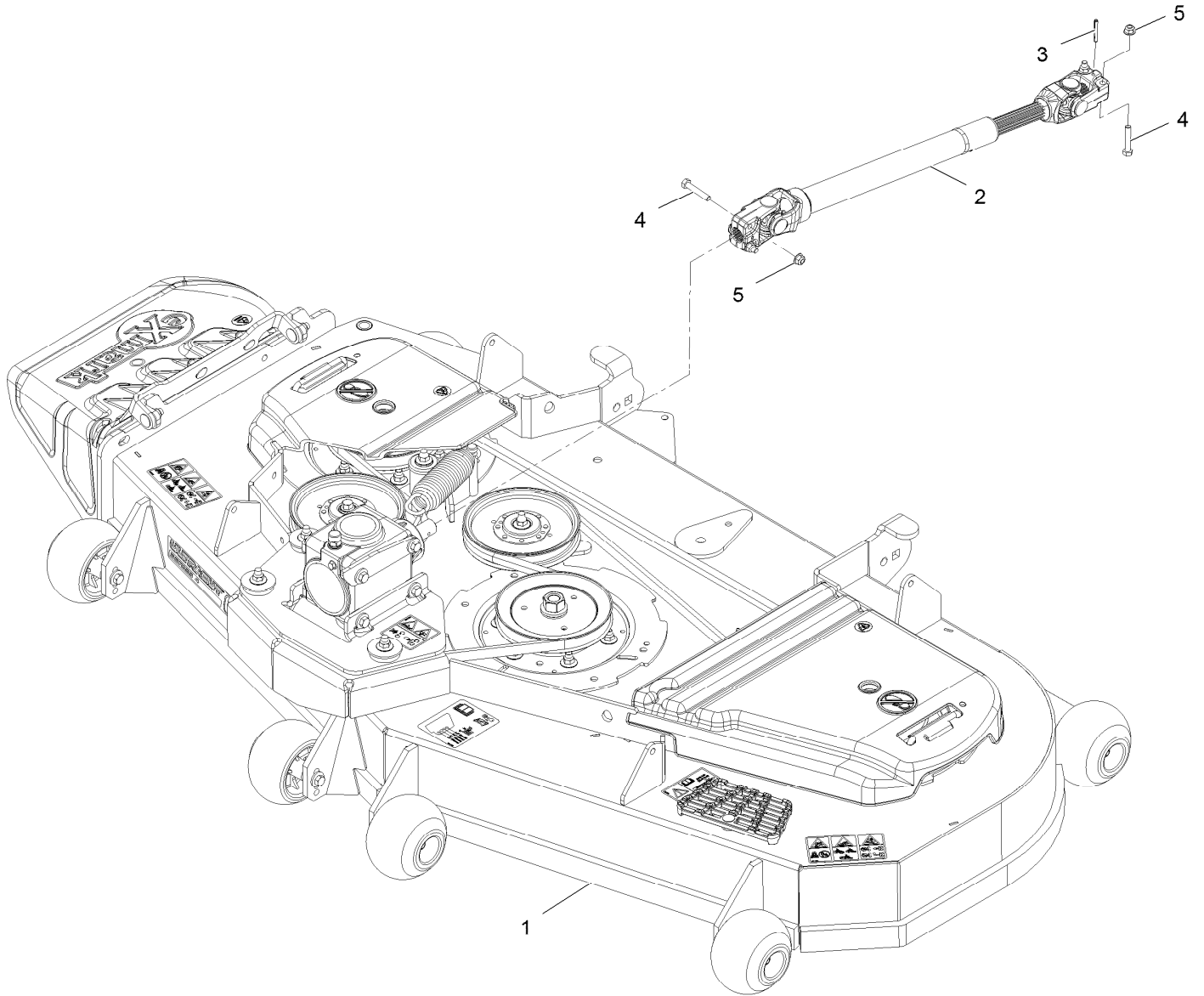
Contents

Complete Deck Assembly (Gearbox Asm Not Included)	6
Deck Assembly W/Gearbox	8
Gearbox and Mount Assembly	10
Gearbox Assembly (cont.)	12
Deck Assembly	14
Deck W/Decals Assembly	16
Idler Arm Assembly	18
Driveshaft Assembly	20
Main Frame Assembly	22
Roll-Over Protection System Assembly	24
Power Frame Assembly	26
Rear Wheel Assembly	28
Caster Wheel and Fork Assembly	30
Deck Lift Assembly	32
Hydraulic Lift and Fold Assembly	34
Motion Control Assembly	36
Rod Linkage Assembly	38
Parking Brake Assembly	40
Seat Assembly	42
Seat Assembly (cont.)	44
Hood and Console Assembly	46
Hood Assembly (cont.)	48
Cooling Assembly	50
Cooling Assembly (cont.)	52
Fuel Assembly	54
RH Fuel Tank Assembly	56
LH Fuel Tank Assembly	58
Engine Assembly	60
Air Cleaner Assembly	62
Cylinder Block Assembly	64
Gear Housing Assembly	66
Flywheel Housing and Oil Sump Assembly	68
Cylinder Head and Cover Assembly	70
Suction Manifold Assembly	72
Exhaust Manifold Assembly	74
Camshaft and Driving Gear Assembly	76
Turbine Assembly	78
Crankshaft and Piston Assembly	80
Oil Pump Assembly	82
Oil Pump Assembly (cont.)	84
Cooling Water System Assembly	86
Fuel Injection Pump Assembly	88
Governor Assembly	90
Fuel Injection Valve Assembly	92

Contents (continued)

Fuel Pipe Assembly	94
Starting Motor Assembly	96
Generator Assembly	98
Electronic Control Unit Assembly	100
Fuel System Assembly	102
Gasket Set	104
Hydraulic Drive Assembly	106
Hydraulic Assembly	108
Hydraulic Reservoir Assembly	110
Transmission Assembly	112
Transmission Assembly (cont.) Charge Pump Housing Assembly	114
Transmission Assembly (cont.) Center Section Assembly	116
Transmission Assembly (cont.) Gear Case and Clutch Assembly	118
Hydraulic Gear Pump Assembly	120
Electrical Assembly	122
Harness Assembly	124

Complete Deck Assembly (Gearbox Asm Not Included)

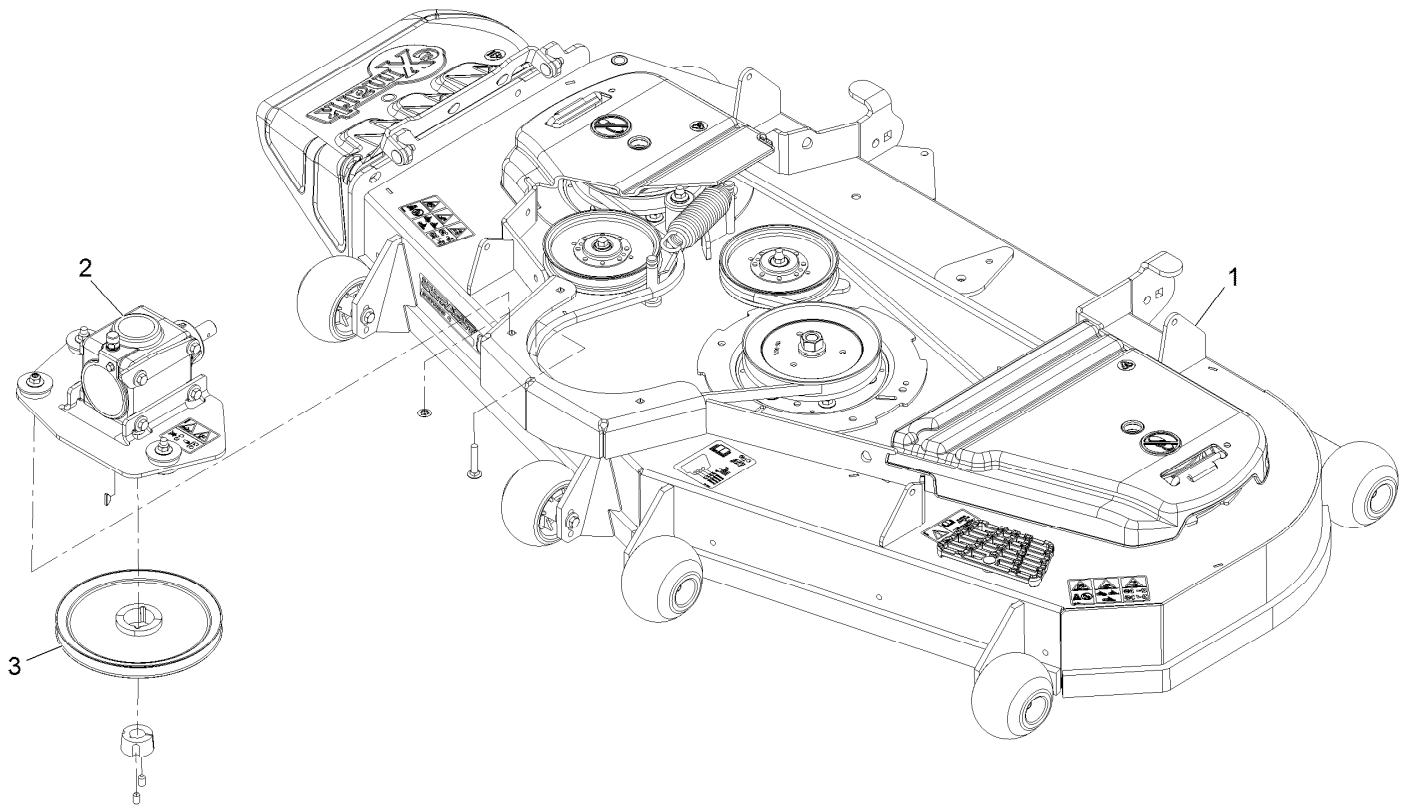


Complete Deck Assembly (Gearbox Asm Not Included) (continued)

<i>Ref.</i>	<i>Part Number</i>	<i>Qty.</i>	<i>Description</i>	<i>Ref.</i>	<i>Part Number</i>	<i>Qty.</i>	<i>Description</i>
1		1	Deck ASM-604 ●	3	32121-34	2	Pin-Roll
1	135-0828	1	Deck ASM-604	4	322-9	4	Screw-HH 5/16-18 X 1 3/4
2	110-3575	1	Driveshaft ASM	5	104-8300	4	Nut-Nyloc 5/16-18 Flg

● Not serviced separately

Deck Assembly W/Gearbox

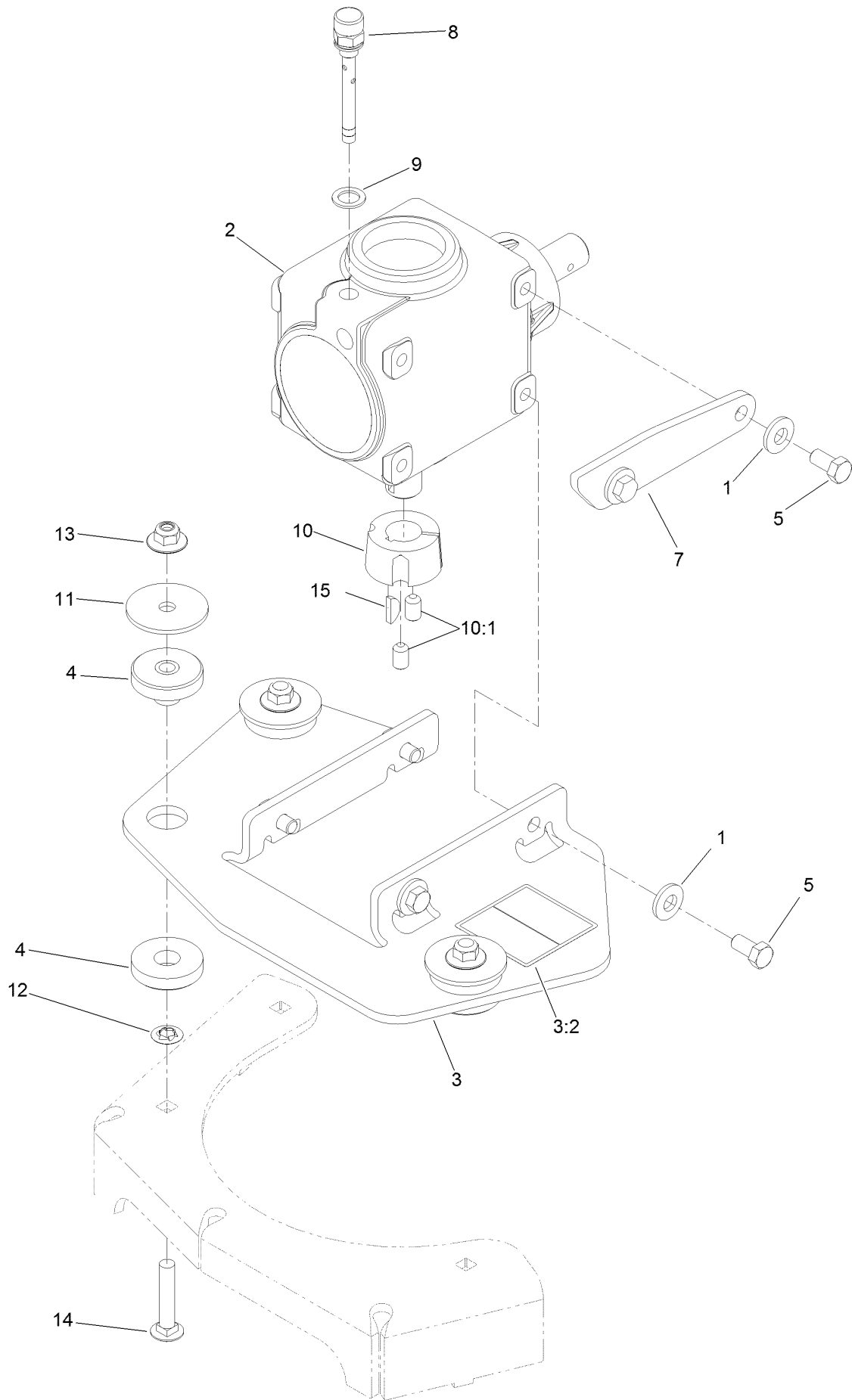


Deck Assembly W/Gearbox (continued)

<i>Ref.</i>	<i>Part Number</i>	<i>Qty.</i>	<i>Description</i>
1		1	Deck ASM-604 ●
2		1	Gearbox ASM ●
3	126-2822	1	Pulley

● Not serviced separately

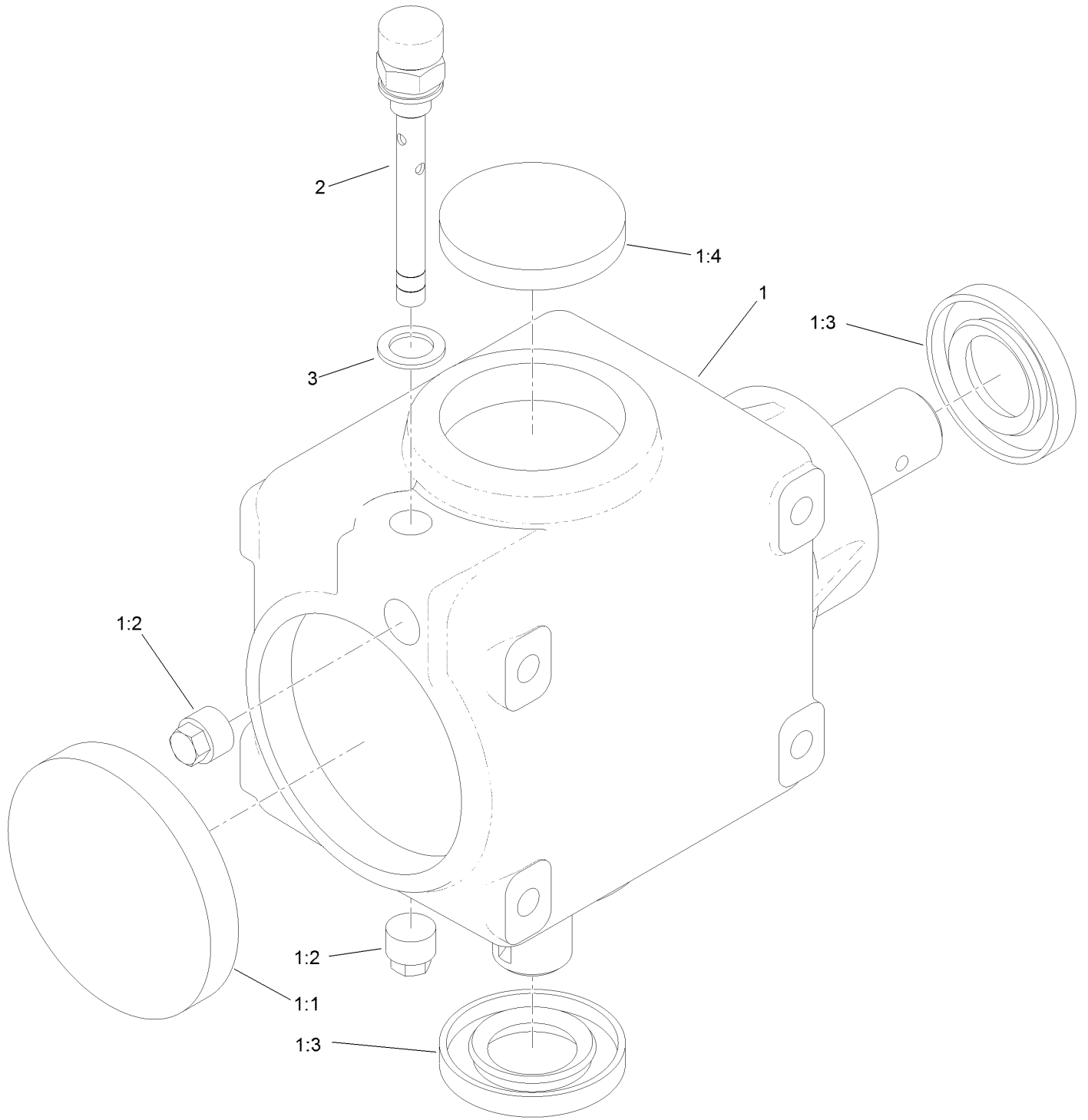
Gearbox and Mount Assembly



Gearbox and Mount Assembly (continued)

<i>Ref.</i>	<i>Part Number</i>	<i>Qty.</i>	<i>Description</i>	<i>Ref.</i>	<i>Part Number</i>	<i>Qty.</i>	<i>Description</i>
1	98-5975	6	Washer-Belleville	9	130-4899	1	Washer
2	130-8659	1	Gearbox ASM	10	23-1640	1	Bushing-Taperlock
3	135-0874	1	Mount-Gearbox	10:1	3247-4	2	Screw-Set
3:2	135-0679	1	Decal-Hazard, Entanglement	11	83-1040	3	Washer-Flat
4	126-3074	3	Mount-ISO	12	107-3154	3	Nut-Push
5	323-4	6	Screw-HH	13	109-6658	3	Nut-Flange, NI
7	126-3544	1	Stop-Gearbox	14	3231-6	3	Screw-CARR
8	130-8661	1	Plug-Breather	15	3257-5	1	Key-Woodruff

Gearbox Assembly (cont.)

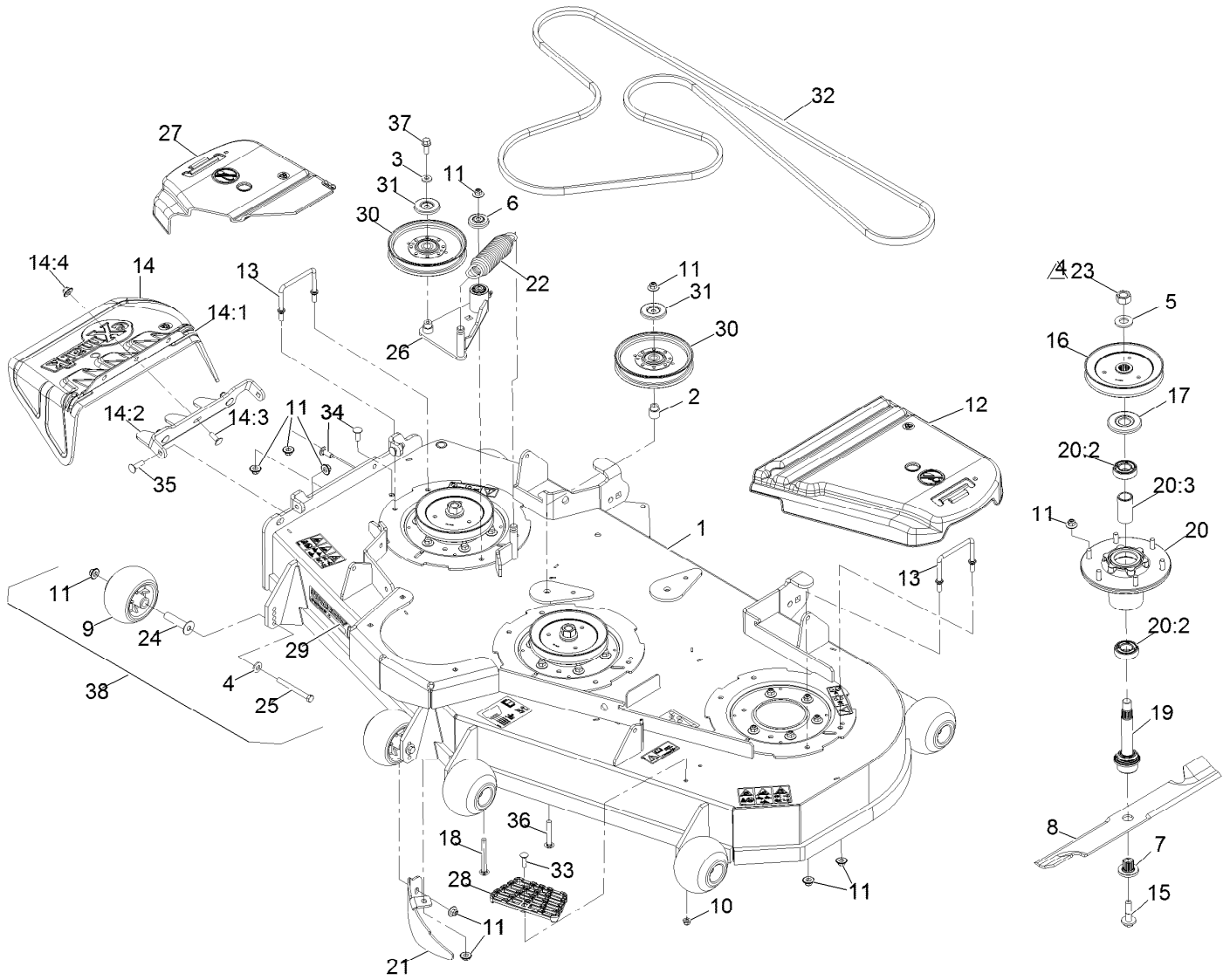


Gearbox Assembly (cont.) (continued)

<i>Ref.</i>	<i>Part Number</i>	<i>Qty.</i>	<i>Description</i>	<i>Ref.</i>	<i>Part Number</i>	<i>Qty.</i>	<i>Description</i>
1		1	Gearbox ASM ●	1:4	107-2935	1	Cap-Oil
1:1	107-2932	1	Cap-Oil	2	130-8661	1	Plug-Breather
1:2	107-2933	2	Plug	3	130-4899	1	Washer
1:3	117-9247	2	Seal				

● Not serviced separately

Deck Assembly



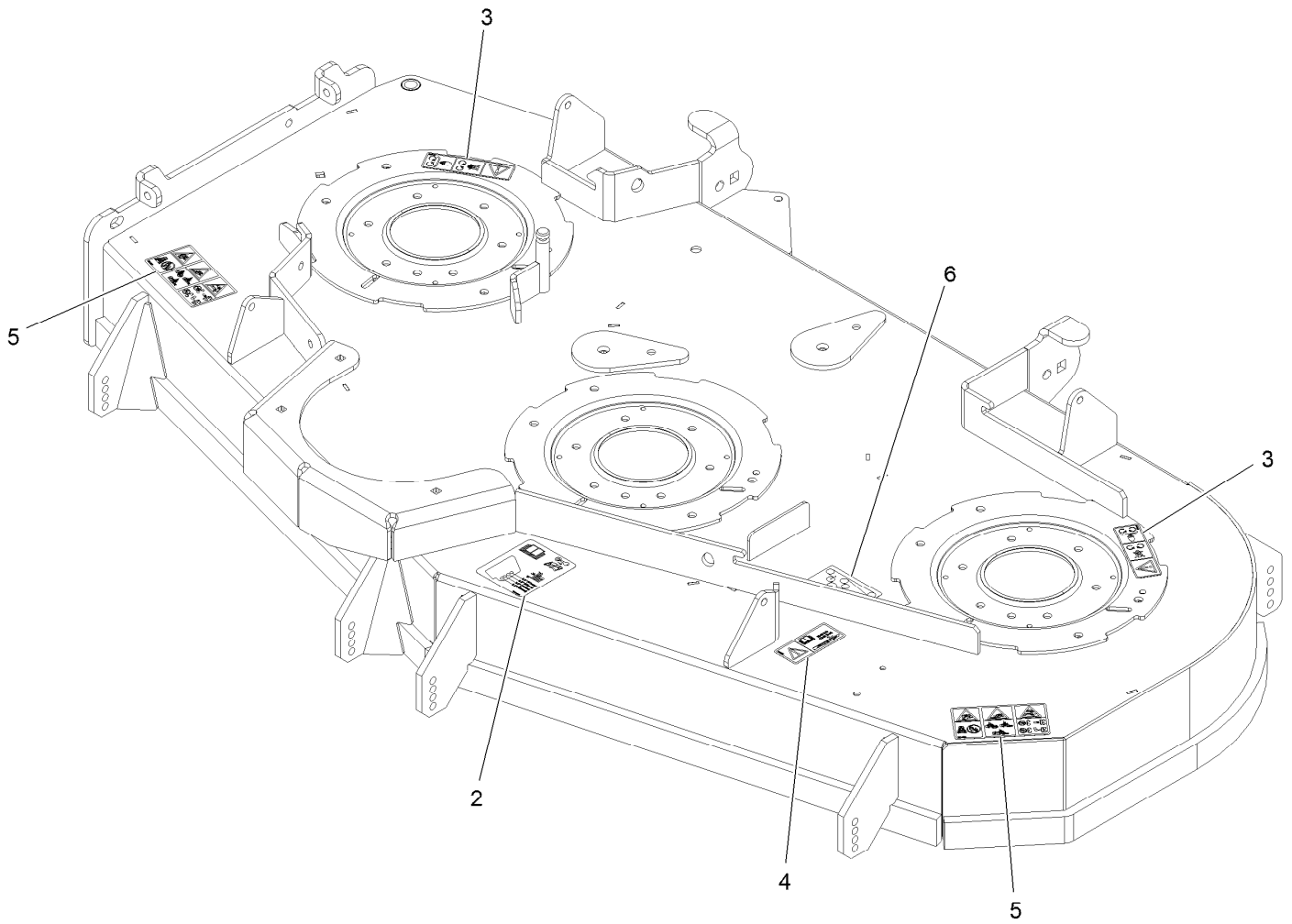
Deck Assembly (continued)

<i>Ref.</i>	<i>Part Number</i>	<i>Qty.</i>	<i>Description</i>	<i>Ref.</i>	<i>Part Number</i>	<i>Qty.</i>	<i>Description</i>
1	126-0909	1	Deck ASM, W/Decals 60	19	116-3341	3	ASM-Spindle And Seal
2	1-633456	1	Bushing, Idler	20	116-3344	3	ASM-Cutter Hsg With Bearings
3	43-0940	1	Spacer	20:2	116-0720	2	Bearing-Ball
4	98-5975	6	Washer-Spring Disc 3/8	20:3	116-3312	1	Spacer-Bearing
5	103-2802	3	Washer-Spring Disc 3/4	21	116-5614-01	1	Dogleg - Lz60
6	103-2916	1	Guard-Top	22	116-6317	1	Spring-Extension
7	103-3037	3	Bushing, Splined	23	116-7306	3	Nut-Hex
8	116-5174	3	Blade-Extreme 2, 20.50" ●	24	116-8131	6	Axle, Roller
8	103-6403	3	Blade, Notched	25	116-9362	6	Screw-HH 3/8-16 X 3 3/4 GR 8
8	103-6393	3	Blade, Mulching ■	26	126-2585	1	Idler Arm ASM
8	103-6388	3	Blade, Low Lift ●	27	126-3182	1	Beltshield-Rt, 60
8	103-6383	3	Blade, Solid ●	28	126-4781-03	1	Step-Deck
9	103-8415	6	Roller-Anti-Scalp	29	126-6589	1	Decal, 604
10	104-8300	1	Nut-Nyloc 5/16-18 Flg	30	126-7685	2	Idler-Pulley
11	109-6658	34	Nut-Nyloc 3/8-16 Flg	31	126-8043	2	Shield-Dust
12	109-6938	1	Cover-Belt, LH	32	126-8047	1	Belt-V
13	109-6982	2	Wireform-Cover	33	3230-3	1	Bolt-Carriage 5/16-18 X 1 1/4
14	109-7188	1	ASM,Discharge Chute	34	3231-22	2	Bolt-Carriage 3/8-16 X 1
14:1	109-2738	1	Chute, Discharge	35	3231-28	2	Bolt-Carriage 3/8-16 X 1 1/4
14:2	109-8675-01	1	Bracket,Discharge Chute	36	3231-44	1	Bolt-Carriage 3/8-16 X 2 1/2
14:3	3231-22	3	Bolt-Carriage 3/8-16 X 1	37	3234-11	1	Screw-HH Flg 3/8-16 X 1
14:4	109-6658	3	Nut-Nyloc 3/8-16 Flg	38	116-9981	6	Kit, Anti-Scalp Roller
15	109-9220	3	Screw-Sems 1/2-20 X 2.19				
16	116-0675	3	Sheave,Blade Drive 6.50				
17	116-1286	3	Guard,Bearing Top .989				
18	116-1502	1	Bolt-Carriage Shoulder 3/8-16 X 3 1/2				

● Optional Equipment

■ Requires installation of mulch kit for proper mulching. See your Exmark dealer for details.

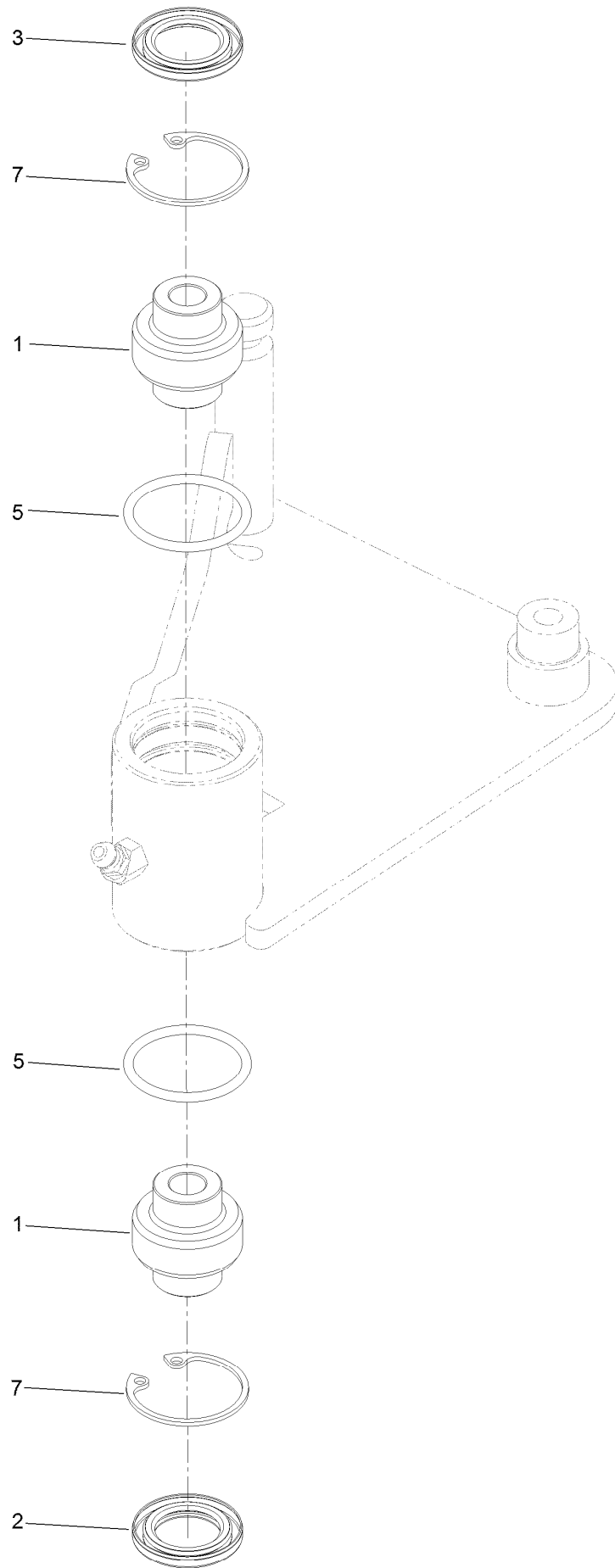
Deck W/Decals Assembly



Deck W/Decals Assembly (continued)

<i>Ref.</i>	<i>Part Number</i>	<i>Qty.</i>	<i>Description</i>	<i>Ref.</i>	<i>Part Number</i>	<i>Qty.</i>	<i>Description</i>
2	109-6036	1	Decal-Roller, Anti-Scalp	5	126-6464	2	Decal-Danger Thrown Objects
3	112-9028	2	Decal-Cover, Missing	6	126-9573	1	Decal-Belt 60 Side
4	116-8283	1	Decal-Bolt Torque				

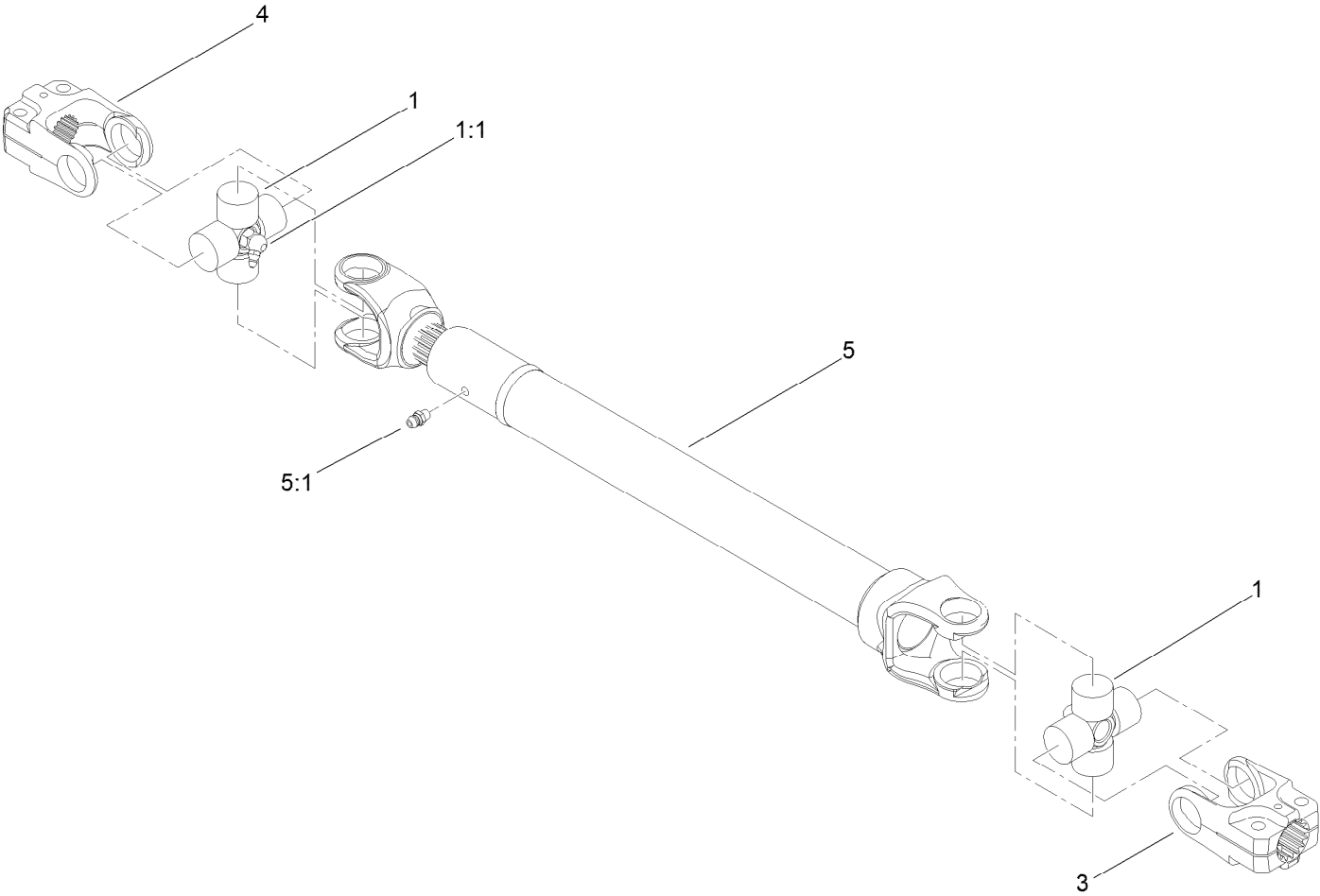
Idler Arm Assembly



Idler Arm Assembly (continued)

<i>Ref.</i>	<i>Part Number</i>	<i>Qty.</i>	<i>Description</i>	<i>Ref.</i>	<i>Part Number</i>	<i>Qty.</i>	<i>Description</i>
1	103-3504	2	Bearing-Spherical	5	106-7159	2	O-Ring
2	103-3505	1	Seal-Lip, Double	7	32120-10	2	Ring-Snap
3	103-3506	1	Seal-Lip, Single				

Driveshaft Assembly

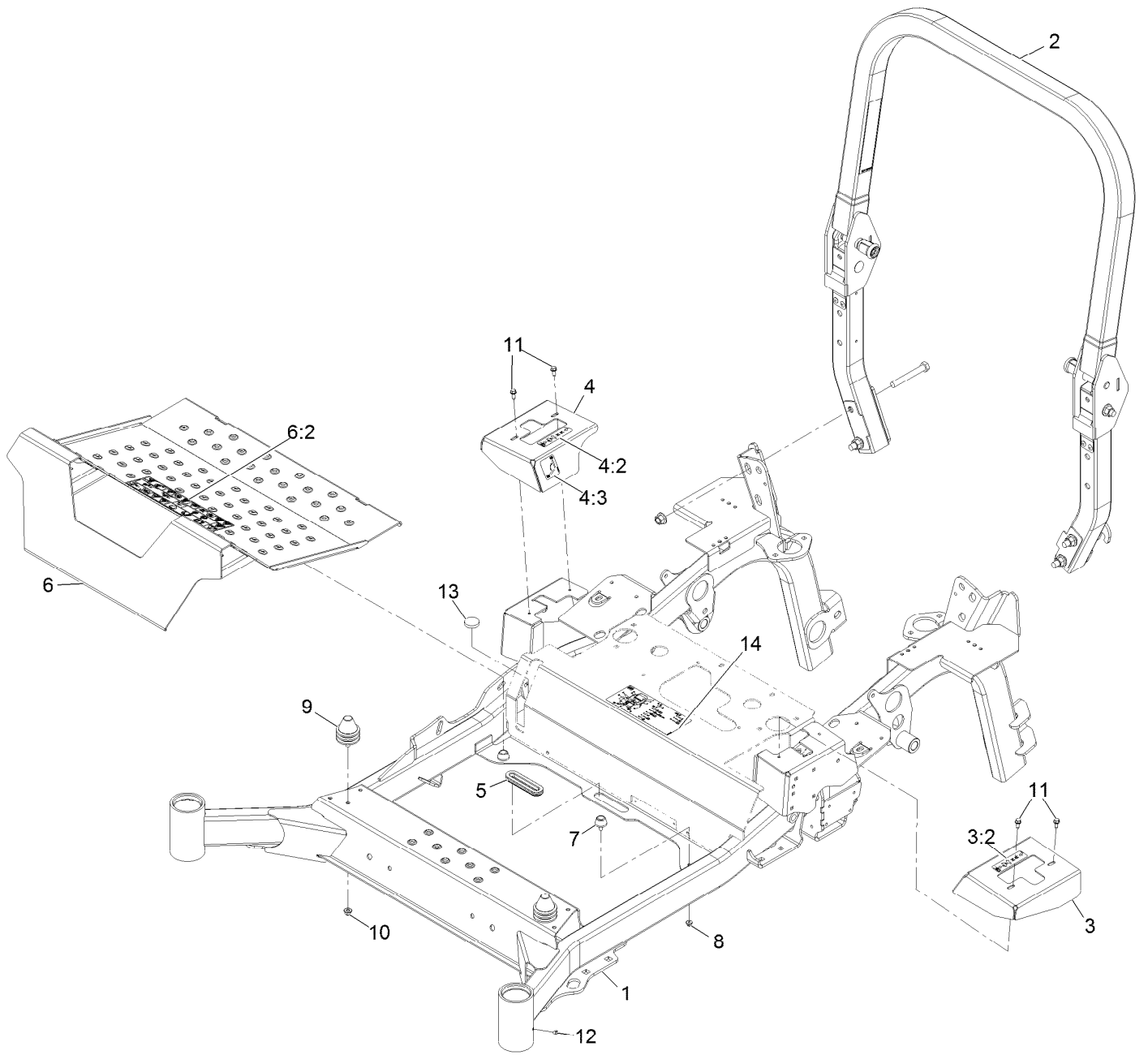


Driveshaft Assembly (continued)

<i>Ref.</i>	<i>Part Number</i>	<i>Qty.</i>	<i>Description</i>	<i>Ref.</i>	<i>Part Number</i>	<i>Qty.</i>	<i>Description</i>
1	112-1687	2	Cross And Bearing Kit	4	54-9090	1	Yoke-End
1:1	62-3820	1	Fitting-Grease	5		1	Tube-Yoke, Slip ●
3	54-9040	1	Yoke-End	5:1	302-22	1	Fitting-Grease

● Not serviced separately

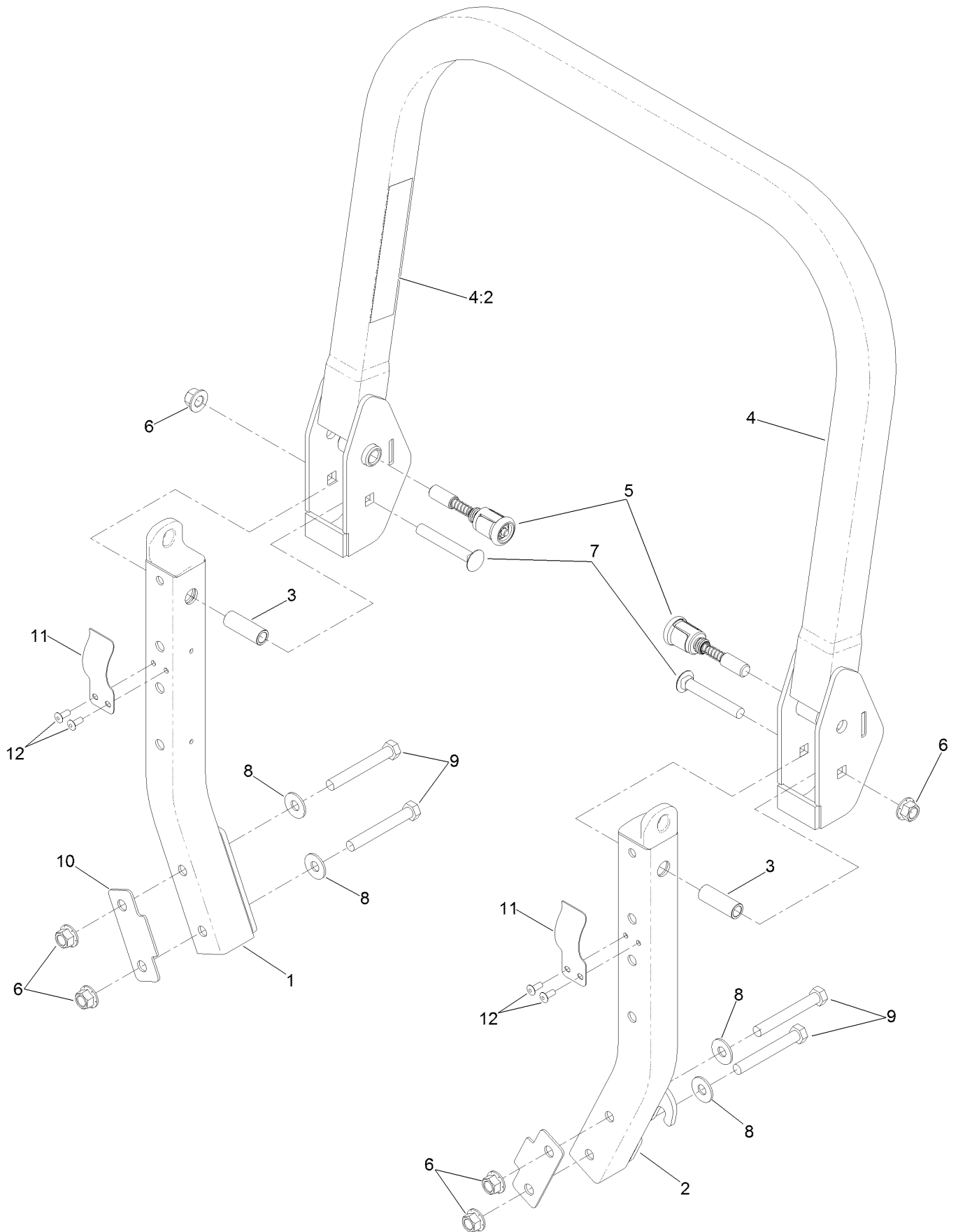
Main Frame Assembly



Main Frame Assembly (continued)

<i>Ref.</i>	<i>Part Number</i>	<i>Qty.</i>	<i>Description</i>	<i>Ref.</i>	<i>Part Number</i>	<i>Qty.</i>	<i>Description</i>
1	126-0569-01	1	Frame	6:2	126-8383	1	Decal-Danger
2	126-6138	1	ROPS ASM	7	109-2365	2	Bumper-Rubber
3	126-1821	1	Cover-Motion Control, LH	8	104-7201	2	Nut-Nyloc 1/4-20 Flg
3:2	99-8936	1	Decal-Control, Motion	9	126-5491	2	Isolator
4	126-1831	1	Cover-Motion Control, RH	10	104-8300	2	Nut-Nyloc 5/16-18 Flg
4:2	99-8936	1	Decal-Control, Motion	11	32144-10	4	Screw-HWH 1/4-20 X .62
4:3	116-5988	1	Decal-Park Brake, CE	12	1-811010	2	Plug
5	126-7065	1	Grommet-Rubber	13	109-9233	1	Bumper-Push-In, Rubber
6	126-9066	1	Pan-Floor	14	126-9279	1	Decal-Service Aid

Roll-Over Protection System Assembly

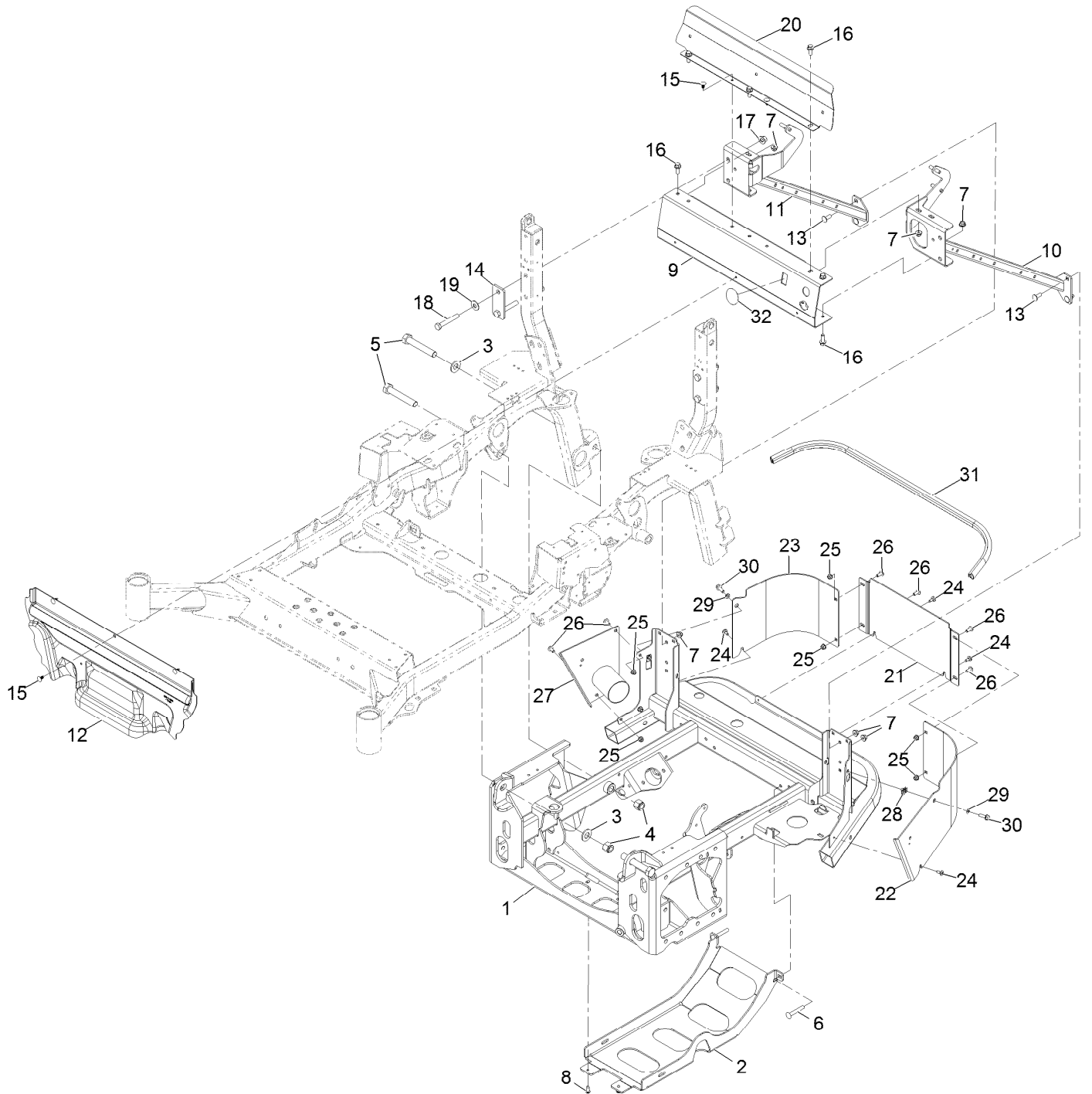


Roll-Over Protection System Assembly (continued)

<i>Ref.</i>	<i>Part Number</i>	<i>Qty.</i>	<i>Description</i>	<i>Ref.</i>	<i>Part Number</i>	<i>Qty.</i>	<i>Description</i>
1		1	Lower-ROPS, RH ●	7	3233-10	2	Bolt-Carriage 1/2-13 X 3 1/2
2		1	Lower-ROPS, LH ●	8	109-9505	4	Washer, Spring Disc 1/2
3	109-6653	2	Spacer	9	325-35	4	Screw-HH
4	126-7085	1	ROPS Upper ASM	10	116-0960	2	Spacer
4:2	107-3069	1	Decal-Warning	11	110-5696	2	Spring-Leaf
5	116-0104	2	Pin-Spring	12	3290-412	4	Rivet-Blind
6	99-5107	6	Nut-Lock 1/2-13				

● Not serviced separately

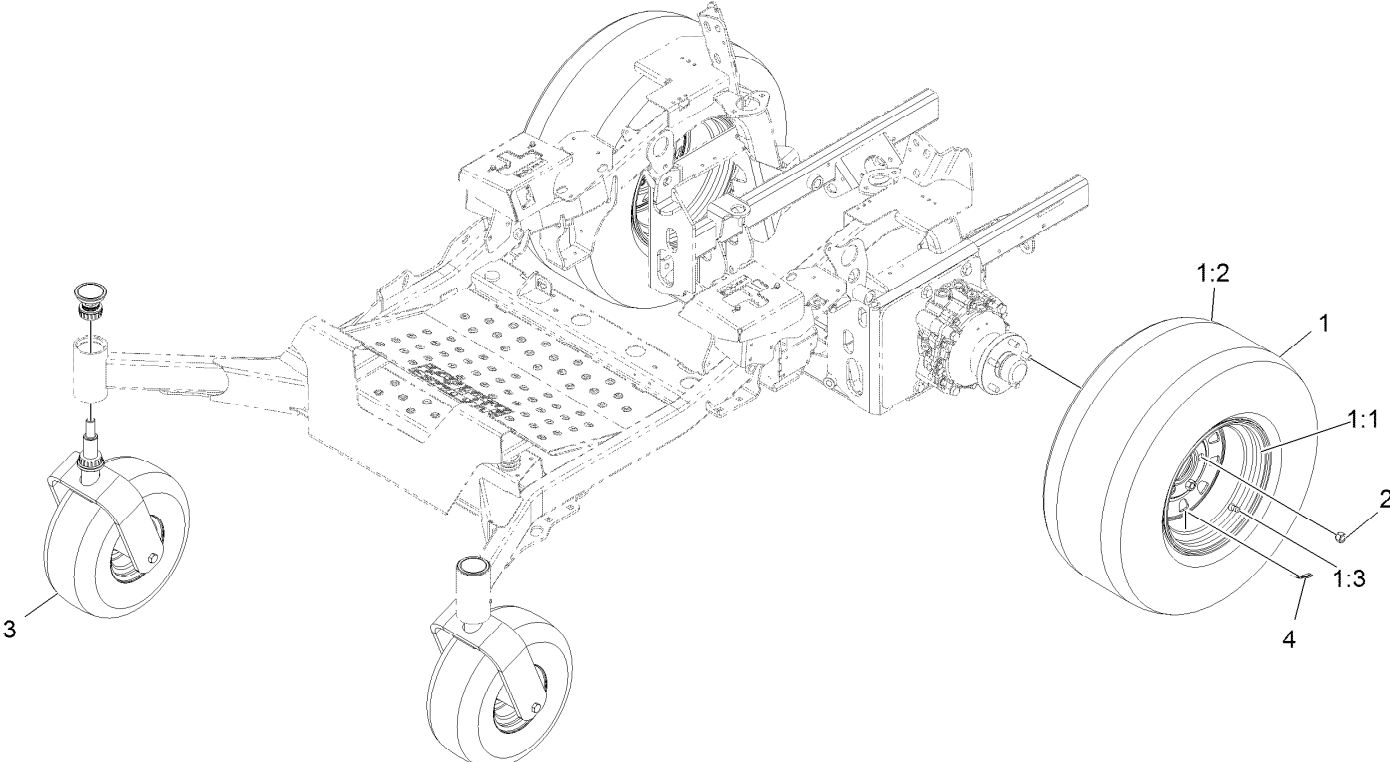
Power Frame Assembly



Power Frame Assembly (continued)

<i>Ref.</i>	<i>Part Number</i>	<i>Qty.</i>	<i>Description</i>	<i>Ref.</i>	<i>Part Number</i>	<i>Qty.</i>	<i>Description</i>
1	126-5929-03	1	Frame-Power	18	112-7264	4	Screw-HH
2	126-5922-03	1	Plate-Skid	19	109-9505	4	Washer, Spring Disc 1/2
3	103-2802	4	Washer-Spring Disc 3/4	20	126-6557-03	1	Shield-Air
4	3296-51	4	Nut-Nyloc 3/4-10	21	126-8954-03	1	Plate-Bumper, Center
5	328-8	4	Screw-HH	22	126-8952-03	1	Plate-Bumper, LH
6	3231-44	2	Bolt-Carriage 3/8-16 X 2 1/2	23	126-8953-03	1	Plate-Bumper, RH
7	104-8301	13	Nut-Nyloc 3/8-16 Flg	24	120-7950	4	Screw-1/4-20 X 1/2 Tf Torx Plus
8	613381	2	Screw-Button Head 5/16-18 X .725 Tf	25	104-8300	7	Nut-Nyloc 5/16-18 Flg
9	126-8567-03	1	Channel-Cross	26	126-6268	7	Screw-Truss HD 5/16-18 X 3/4 Torx Plus
10	126-8563-03	1	Brace-ROPS, LH	27	135-0880	1	Plate-Exhaust
11	126-8565-03	1	Brace-ROPS, RH	28	112-3306	2	Nut
12	126-7458	1	Panel-Deflector, Heat	29	3290-475	2	Washer-Belleville
13	3231-22	4	Bolt-Carriage 3/8-16 X 1	30	3234-29	2	Screw-HH Flg 5/16-18 X 1
14	135-0412-03	2	Plate-Spacer	31	126-6845	1	Seal-Bulb
15	117-2382	5	Plug-Plastic	32	135-3728	1	Decal-Cover
16	131-2220	7	Screw-HHF				
17	99-5107	4	Nut-Lock 1/2-13				

Rear Wheel Assembly

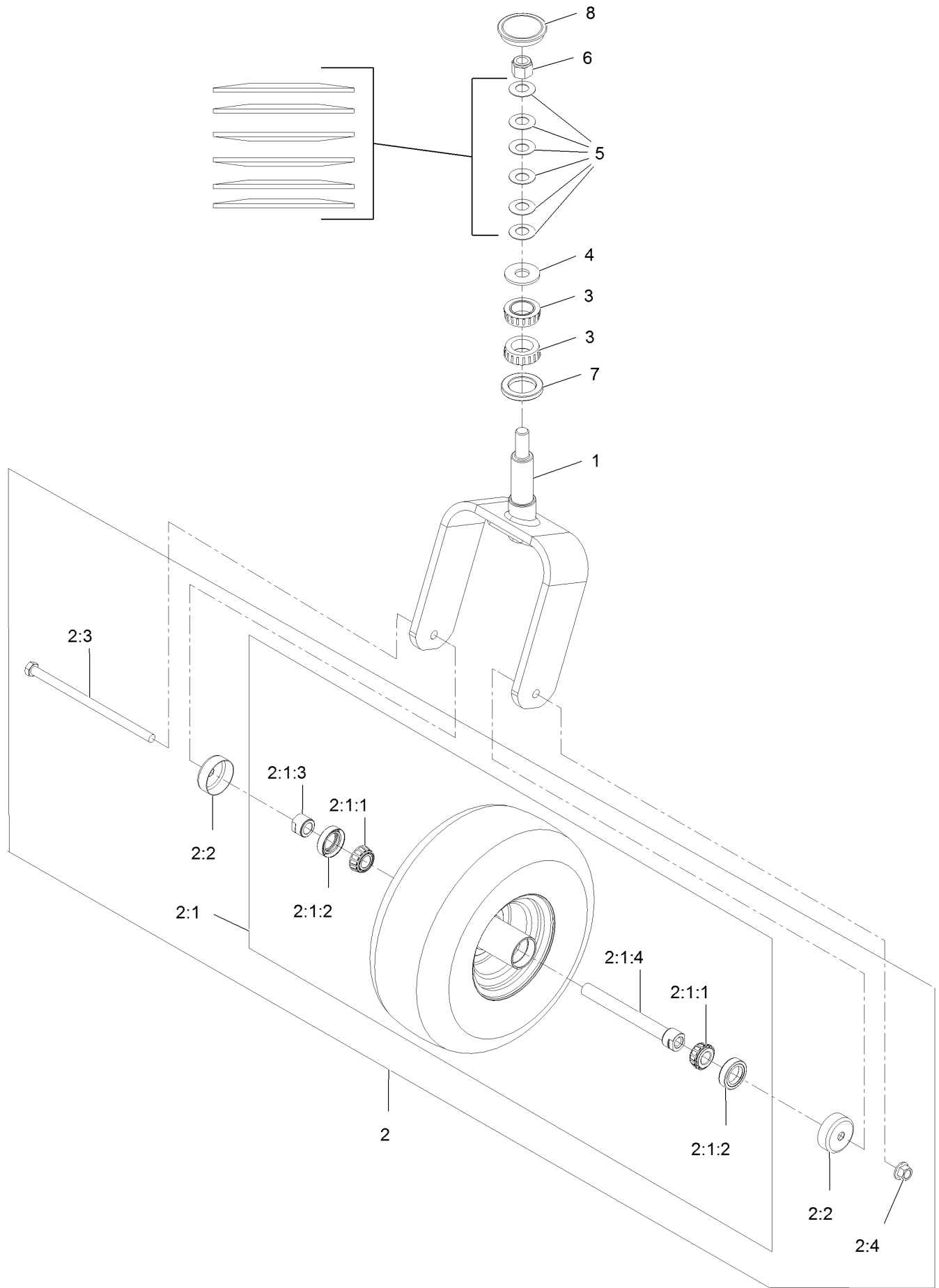


Rear Wheel Assembly (continued)

<i>Ref.</i>	<i>Part Number</i>	<i>Qty.</i>	<i>Description</i>	<i>Ref.</i>	<i>Part Number</i>	<i>Qty.</i>	<i>Description</i>
1	126-3138	2	ASM-Tire 26 X 12-12	2	242-50	10	Nut-Lug 1/2-20
1:1	126-8193	1	Rim ASM	3		2	ASM, Wheel Caster ●
1:2	126-8033	1	Tire	4	135-0328	2	Decal-Torque, Wheel Nut
1:3	232-27	1	Stem-Valve				

● Not serviced separately

Caster Wheel and Fork Assembly

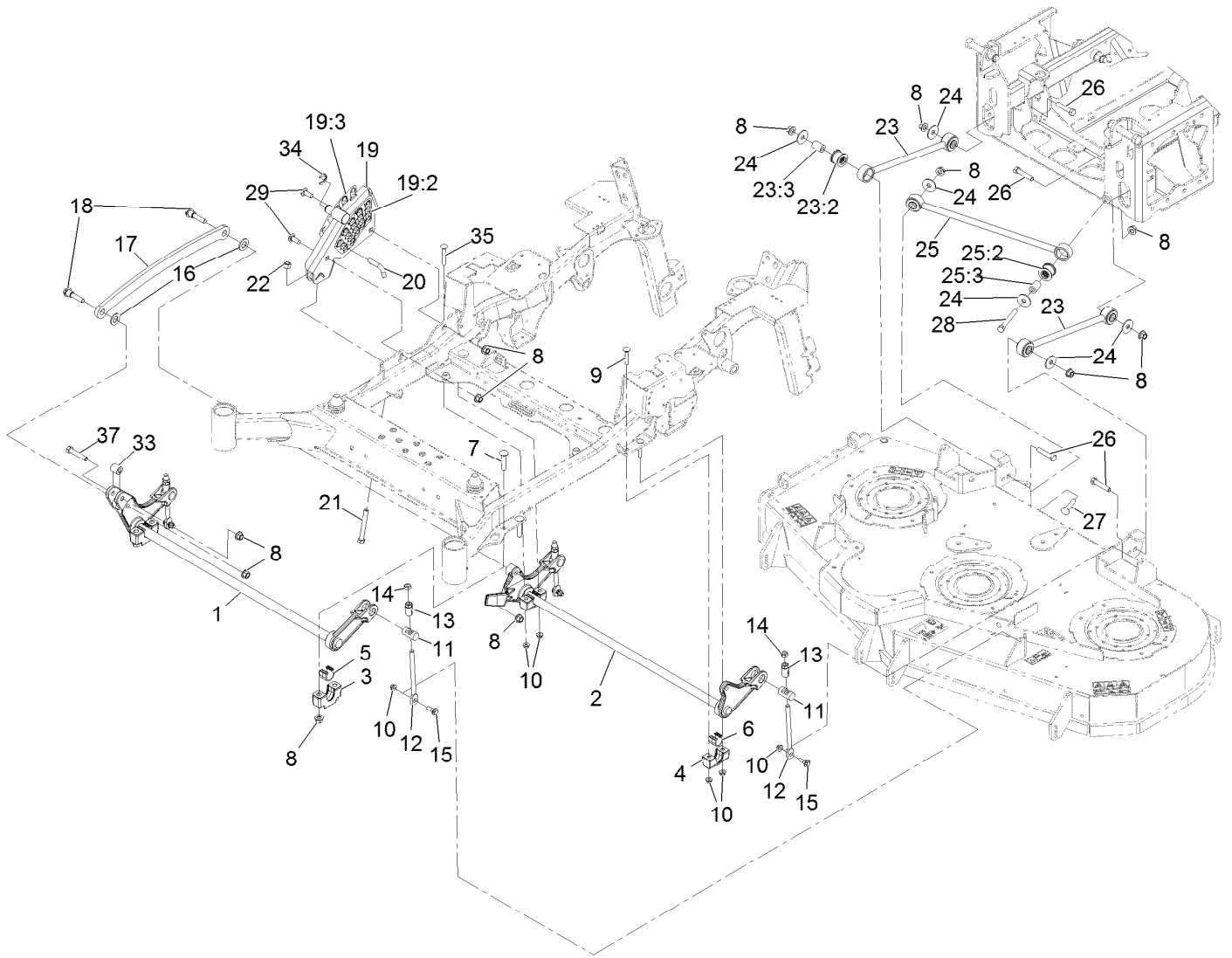


Caster Wheel and Fork Assembly (continued)

<i>Ref.</i>	<i>Part Number</i>	<i>Qty.</i>	<i>Description</i>	<i>Ref.</i>	<i>Part Number</i>	<i>Qty.</i>	<i>Description</i>
1	126-8601-01	1	Fork-Caster	2:3	325-39	1	Screw-HH 1/2-13 X 9 1/2
2	126-8157	1	ASM-Whl And Tire	2:4	99-5107	1	Nut-Lock 1/2-13
2:1		1	ASM-Whl And Tire ●	3	103-9028	2	Cone-Bearing Taper Roller
2:1:1	1-633585	2	Bearing-Cone Tapered Roller	4	3256-8	1	Washer
2:1:2	103-0063	2	Seal-Double Lip	5	1-633508	6	Washer-Spring Disc
2:1:3	103-3051	1	Spacer-Nut	6	3296-51	1	Nut-Nyloc 3/4-10
2:1:4	126-5361	1	Axle Caster ASM	7	135-0355	1	Seal-Grease
2:2	103-2768	2	Guard-Seal	8	126-9369	1	Cap-Grease

● Not serviced separately

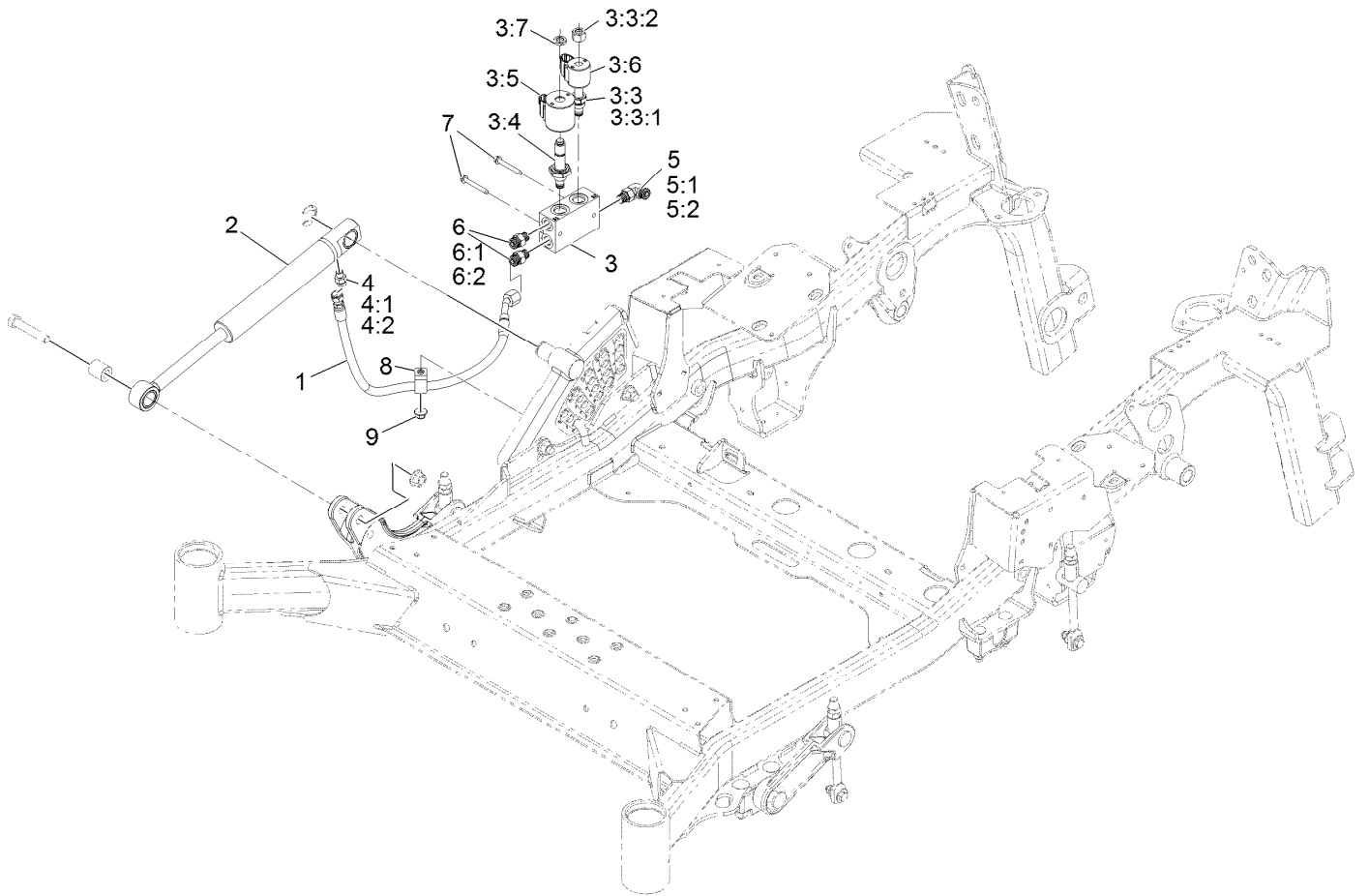
Deck Lift Assembly



Deck Lift Assembly (continued)

<i>Ref.</i>	<i>Part Number</i>	<i>Qty.</i>	<i>Description</i>	<i>Ref.</i>	<i>Part Number</i>	<i>Qty.</i>	<i>Description</i>
1	135-1216-03	1	Decklift-Front	19	126-7866	1	HOC ASM
2	116-2645-03	1	Lift-Deck, Rear	19:2	126-9275	1	Decal-Height Of Cut
3	109-9409	2	Support-Cross Shaft, Bearing	19:3	135-1432	1	Decal-Height Of Cut, Outer
4	127-0553	2	Support-Cross Shaft, Bearing Rear	20	116-5584	1	Pin-HOC
5	109-9410	2	Bearing-Cross Shaft, Front	21	116-0559	1	Bolt-HH 1/2-13 X 4 Tap
6	109-7173	2	Bearing-Cross Shaft, Rear	22	3296-23	1	Nut-Nyloc 1/2-13
7	116-1700	4	Bolt-Carriage 1/2-13 X 2 1/2 Spl Neck	23	109-7952	2	Deck Strut ASM
8	99-5107	15	Nut-Lock 1/2-13	23:2	109-5009	2	Bushing-Suspension, Rubber
9	3231-7	3	Bolt-Carriage 3/8-16 X 2 1/4	23:3	109-5010	2	Spacer
10	104-8301	8	Nut-Nyloc 3/8-16 Flg	24	86-1990	6	Washer
11	109-8353	4	Trunnion	25	109-5013	1	Panhard Rod ASM
12	109-8007	4	Link-Adjuster, Deck Lift	25:2	109-5009	2	Bushing-Suspension, Rubber
13	109-7840	4	Adjuster-Lift, Deck	25:3	109-5010	2	Spacer
14	3218-5	4	Nut-Jam 1/2-13	26	325-10	4	Screw-HH 1/2-13 X 2 1/2
15	109-9840	4	Screw-Hex Flange 3/8-16 X .80	27	3233-34	1	Bolt-Carriage 1/2-13 X 2 1/2
16	3256-28	2	Washer-3/4 SAE	28	325-17	1	Screw-HH 1/2-13 X 4
17	116-0797-03	1	Link-Lift, Deck	29	3233-26	2	Screw-CARR, Short Neck
18	116-2022	2	Screw-Hex Flange 1/2-13 X 1.90	33	135-1215	1	Spacer-Pivot
				34	32151-91	1	Ring-Retaining
				35	3231-9	1	Bolt-Carriage 3/8-16 X 2 3/4
				37	325-11	1	Screw-HH 1/2-13 X 2 3/4

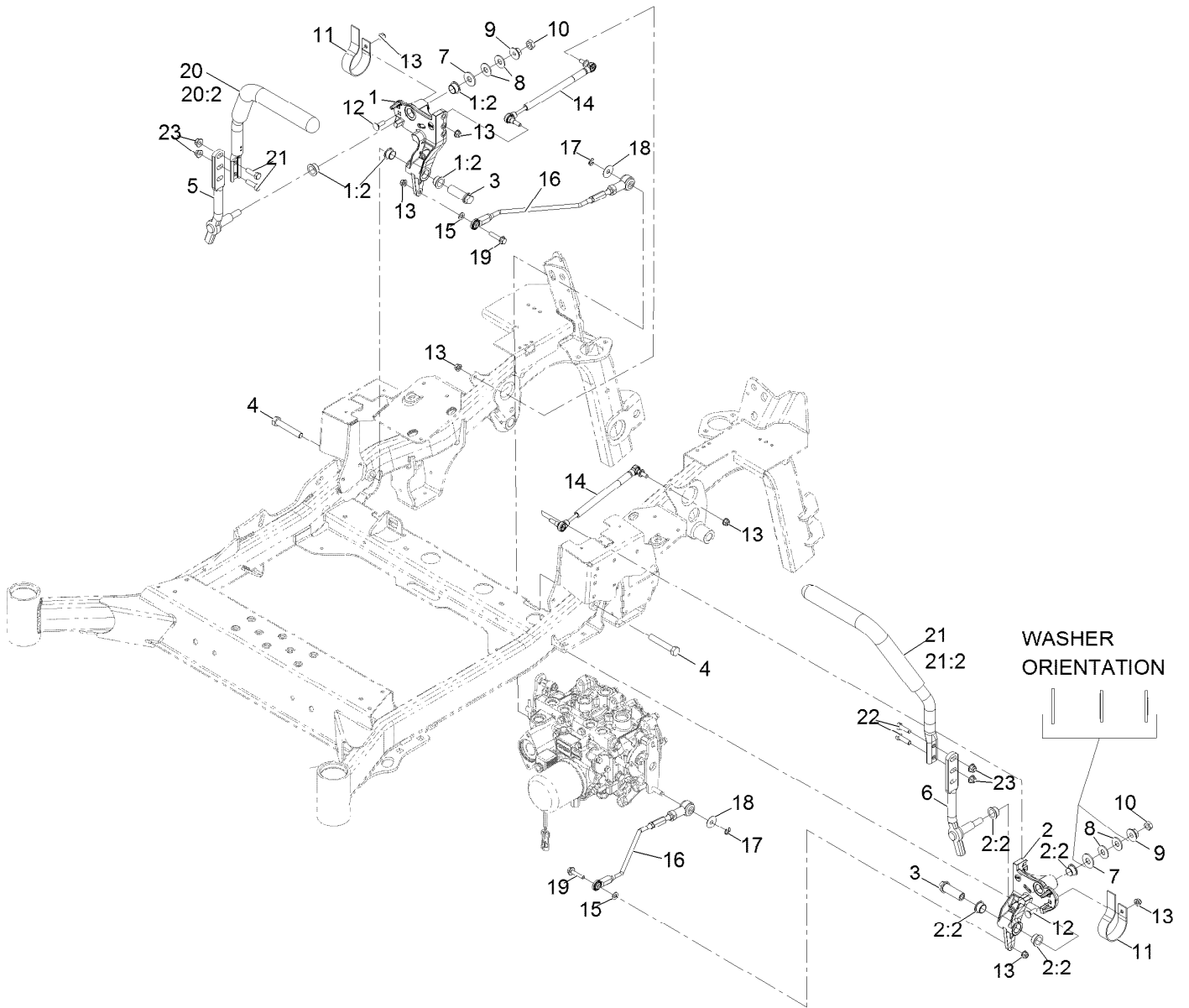
Hydraulic Lift and Fold Assembly



Hydraulic Lift and Fold Assembly (continued)

<i>Ref.</i>	<i>Part Number</i>	<i>Qty.</i>	<i>Description</i>	<i>Ref.</i>	<i>Part Number</i>	<i>Qty.</i>	<i>Description</i>
1	126-8683	1	Hose ASM	4:1	237-78	1	O-Ring
2	126-7841	1	Cylinder-Lift	4:2	237-21	1	O-Ring
3	131-1934	1	Deck Lift Valve ASM	5	340-77	1	Fitting-Elbow, 90 DEG
3:3	107-7517	1	Valve-Solenoid	5:1	237-22	1	O-Ring
3:3:1	105-9156	1	Seal Kit	5:2	237-42	1	O-Ring
3:3:2	107-7812	1	Nut-Solenoid	6	340-2	2	Fitting-Straight
3:4	131-1935	1	Valve-Solenoid	6:1	237-22	1	O-Ring
3:5	115-3021	1	Coil-12V	6:2	237-42	1	O-Ring
3:6	119-8036	1	Coil	7	117-5248	2	Screw-HWHTF
3:7	110-2634	1	Nut-Coil	8	1-633396	1	Clip-Loom 5/8
4	126-8692	1	Fitting-HYD, Straight	9	104-8301	1	Nut-Nyloc 3/8-16 Flg

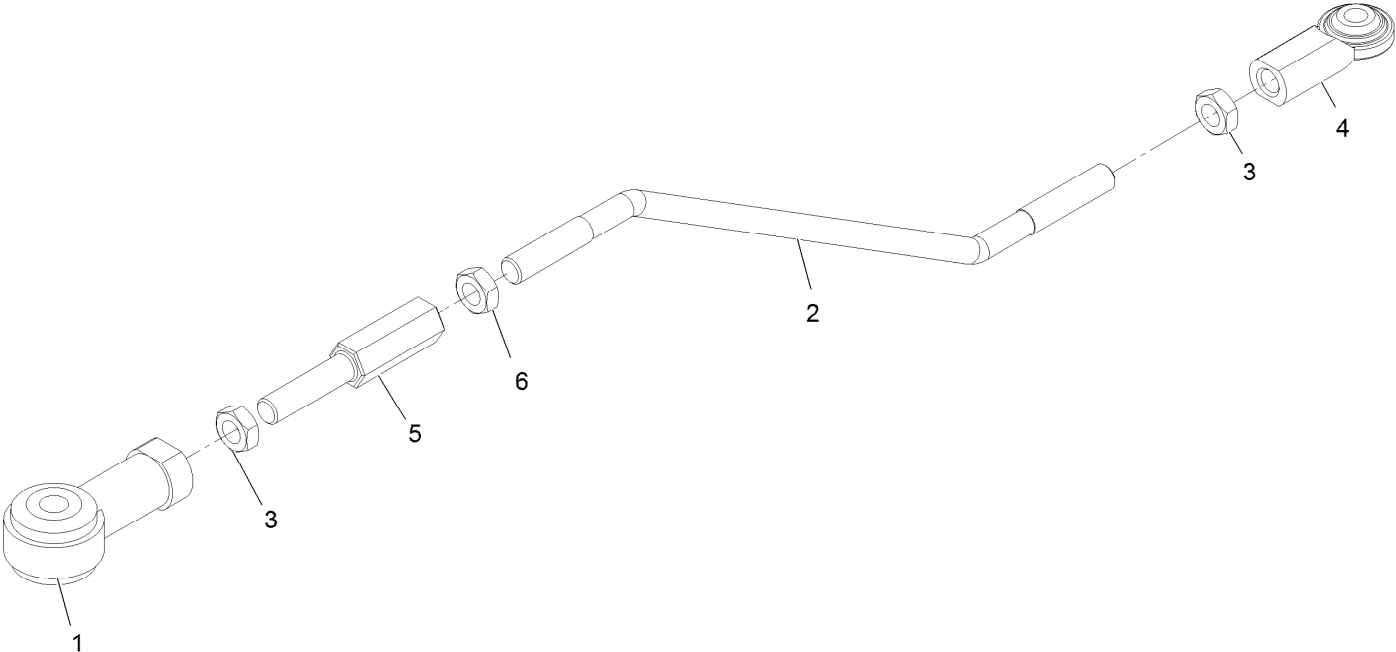
Motion Control Assembly



Motion Control Assembly (continued)

<i>Ref.</i>	<i>Part Number</i>	<i>Qty.</i>	<i>Description</i>	<i>Ref.</i>	<i>Part Number</i>	<i>Qty.</i>	<i>Description</i>
1	116-0880	1	RH Motion Control And Bushing ASM	12	3230-2	2	Bolt-Carriage 5/16-18 X 1
1:2	109-8054	4	Bushing-Flanged	13	104-8300	8	Nut-Nyloc 5/16-18 Flg
2	116-0881	1	LH Motion Control And Bushing ASM	14	116-0027	2	Damper-Control, Motion
2:2	109-8054	4	Bushing-Flanged	15	3256-23	2	Washer-5/16 SAE
3	109-5891	2	Hub-Threaded	16	126-6131	2	Front Linkage Rod ASM
4	325-12	2	Screw-HH 1/2-13 X 3	17	32151-47	2	Ring-Retaining
5	116-0039	1	Lever-Control Motion, RH	18	105-6814	2	Washer-Plain
6	116-0040	1	Lever-Control Motion, LH	19	115-1794	2	Screw-Hex Flange 5/16-18 X 1 1/2
7	3256-6	2	Washer	20	126-7700	1	RH Steering Handle ASM
8	109-9505	4	Washer, Spring Disc 1/2	20:2	109-5668	1	Grip-Control, Lever
9	32128-56	2	Nut-Hex 1/2-13 Flange	21	126-7699	1	LH Steering Handle ASM
10	3218-5	2	Nut-Jam 1/2-13	21:2	109-5668	1	Grip-Control, Lever
11	109-5575	2	Spring-Leaf	22	323-7	4	Screw-HH 3/8-16 X 1 1/4
				23	104-8301	4	Nut-Nyloc 3/8-16 Flg

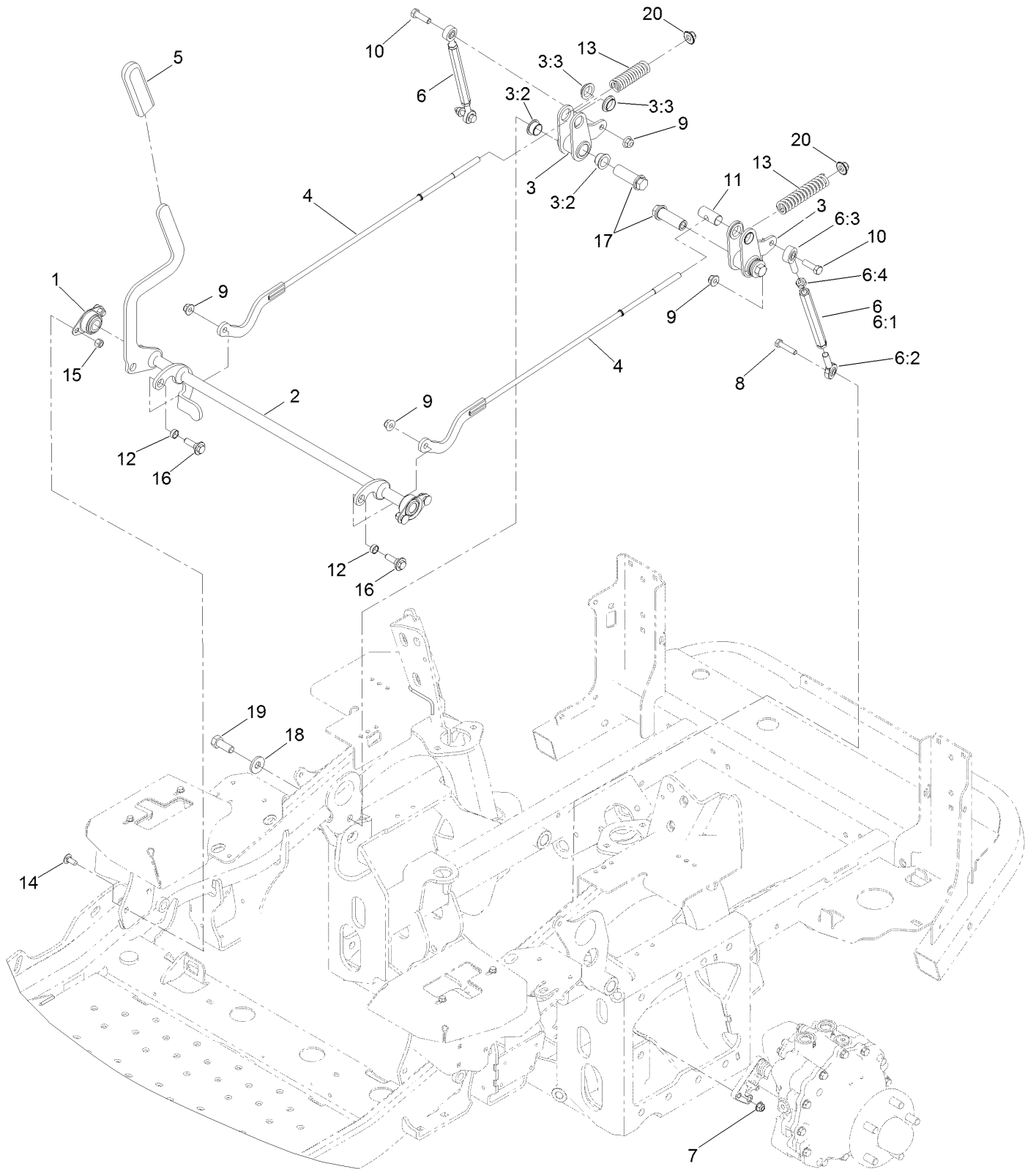
Rod Linkage Assembly



Rod Linkage Assembly (continued)

<i>Ref.</i>	<i>Part Number</i>	<i>Qty.</i>	<i>Description</i>	<i>Ref.</i>	<i>Part Number</i>	<i>Qty.</i>	<i>Description</i>
1	105-7199	1	End-Rod, Isolated	4	103-2463	1	Balljoint
2	126-6469	1	Rod-Linkage, Rear	5	116-4755	1	Rod-Adjustment
3	3220-3	2	Nut-Jam 3/8-24	6	3220-16	1	Nut-Jam 3/8-24 LH

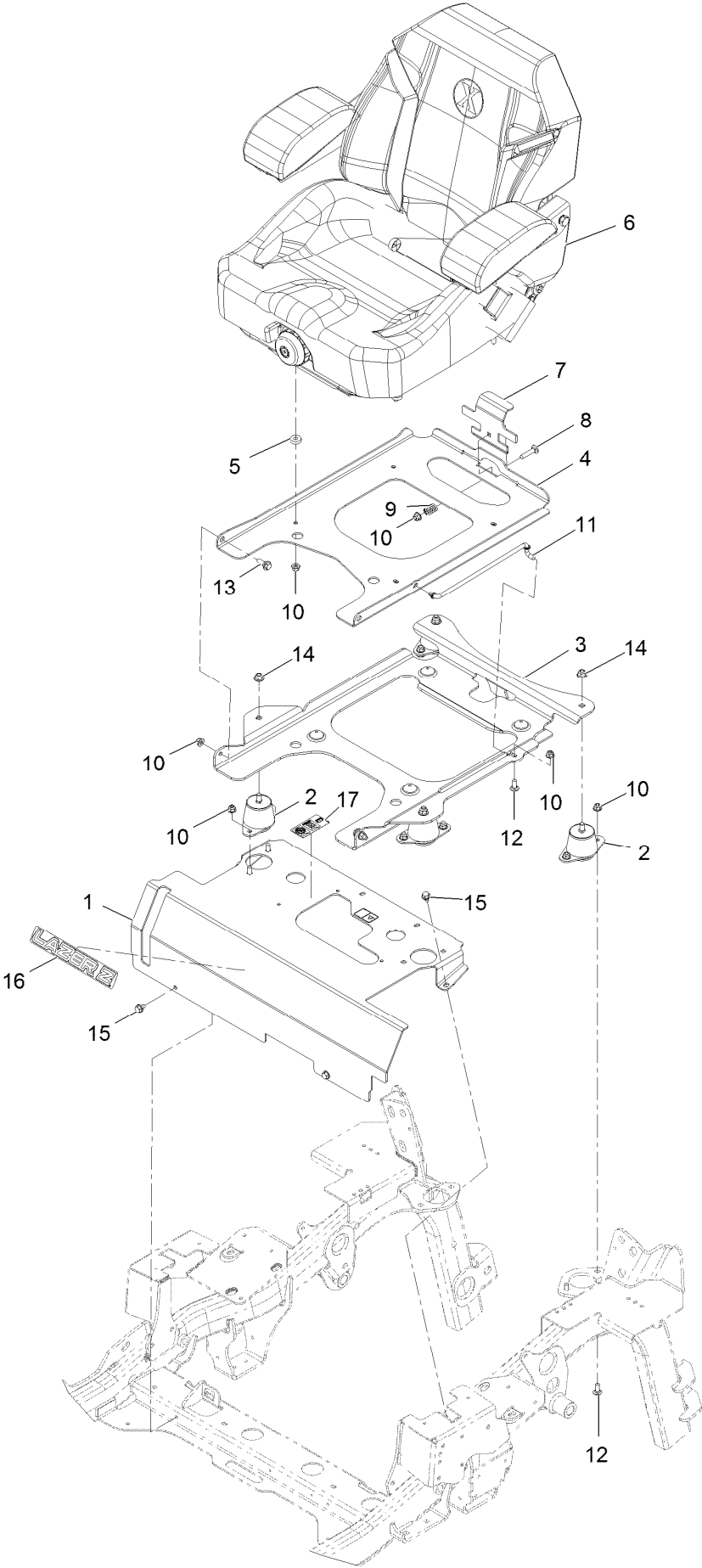
Parking Brake Assembly



Parking Brake Assembly (continued)

<i>Ref.</i>	<i>Part Number</i>	<i>Qty.</i>	<i>Description</i>	<i>Ref.</i>	<i>Part Number</i>	<i>Qty.</i>	<i>Description</i>
1	1-633102	2	Bearing-Flange, Side	8	322-7	2	Screw-HH
2	126-2019	1	Shaft-Brake	9	104-8301	4	Nut-HF, NI
3	126-3010	2	Brake Bellcrank ASM	10	323-7	2	Screw-HH
3:2	109-8054	2	Bushing-Flange	11	1-633144	2	Pin-Trunion
3:3	135-2840	2	Bushing-Flange	12	133-5109	2	Bearing-Sleeve
4	126-3193	2	Link-Brake, Upper	13	109-2230	2	Spring-Compression
5	1-633268	1	Grip-Lever	14	3230-23	4	Screw-CARR
6	126-9171	2	Turnbuckle ASM	15	3296-29	4	Nut-Lock, NI
6:1	126-9172	1	Turnbuckle	16	614672	2	Screw-Shoulder, HWH
6:2	126-9302	1	Bearing-End, LH Rod	17	109-5891	2	Hub-Threaded
6:3	1-613204	1	Balljoint	18	1-513435	2	Washer-Spring
6:4	3220-3	1	Nut-HJ	19	325-5	2	Screw-HH
7	104-8300	2	Nut-HF, NI	20	109-6658	2	Nut-Flange, NI

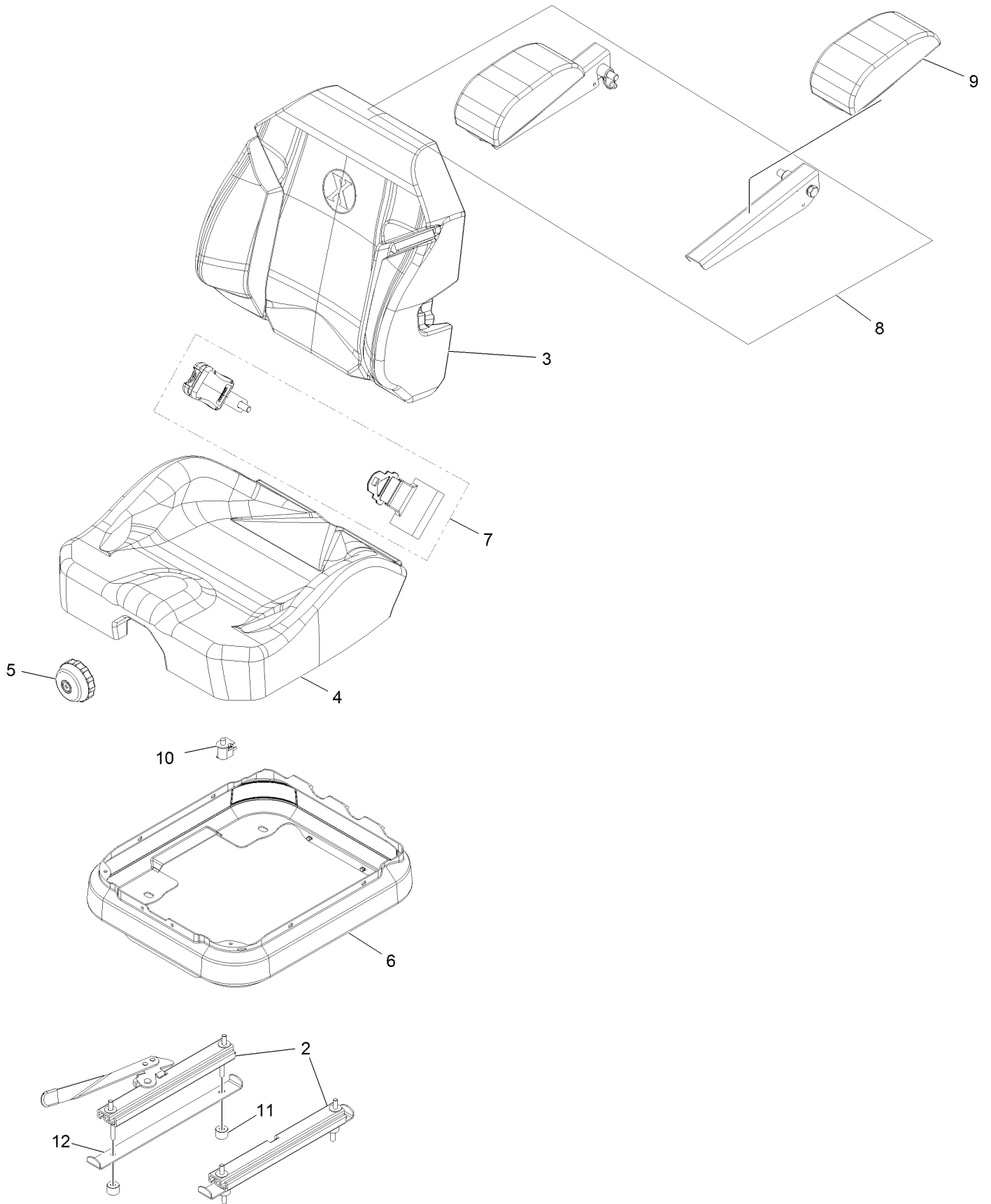
Seat Assembly



Seat Assembly (continued)

<i>Ref.</i>	<i>Part Number</i>	<i>Qty.</i>	<i>Description</i>	<i>Ref.</i>	<i>Part Number</i>	<i>Qty.</i>	<i>Description</i>
1	126-7286	1	Seat Mount ASM	10	104-8300	16	Nut-Nyloc 5/16-18 Flg
2	109-9034	4	Isolator-Seat	11	116-0070	1	Rod-Prop
3	126-2701-03	1	Plate-Support, Tilt Seat	12	3230-23	9	Bolt-Carriage 5/16-18 X 3/4 Short Neck
4	126-2700-03	1	Plate-Frame, Seat	13	116-1297	2	Screw-Shoulder
5	26-4840	4	Spacer-Pin, Mounting	14	104-8301	4	Nut-Nyloc 3/8-16 Flg
6	116-8912	1	Kit-Suspension Seat	15	9266934	4	Screw-HWH 5/16 X 1/2 Tf
7	126-1855	1	Plate, Seat Latch	16	126-6574	1	Decal, Lazer Model
8	3230-4	1	Bolt-Carriage 5/16-18 X 1 1/2	17	135-2838	1	Decal-Trans Fluid
9	107-3017	1	Spring-Compression				

Seat Assembly (cont.)

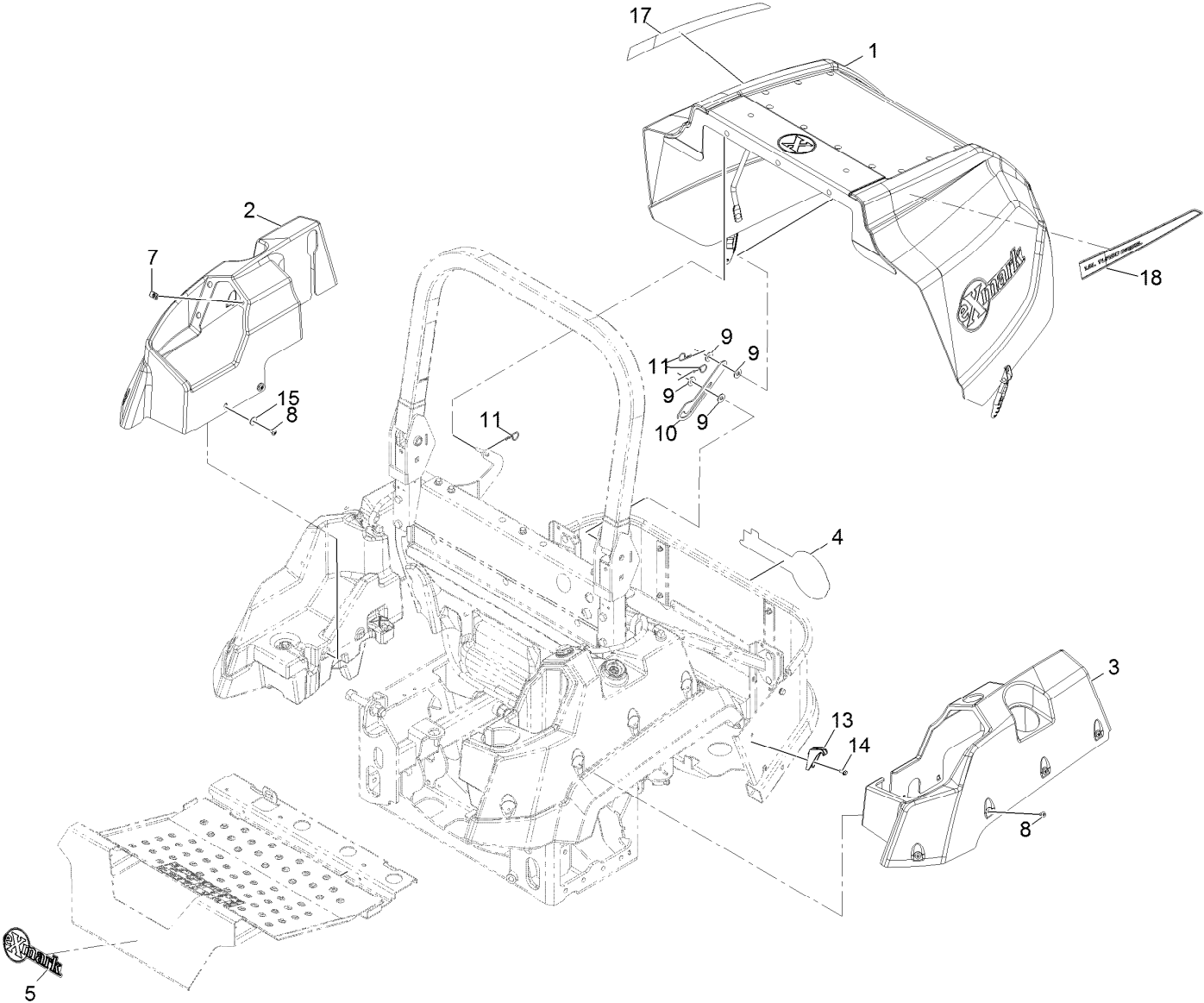


Seat Assembly (cont.) (continued)

<i>Ref.</i>	<i>Part Number</i>	<i>Qty.</i>	<i>Description</i>	<i>Ref.</i>	<i>Part Number</i>	<i>Qty.</i>	<i>Description</i>
2	116-8910	1	Seat Track Set	7	126-2061	1	Seat Belt Service Kit
3	116-8908	1	Cover-Back 311463Vn500	8	116-8906	1	Kit-Arm Rest Set
4	116-8909	1	Cover-Cushion 311464Vn500	9	116-8905	1	Kit-Arm Rest Pads
5	116-8911	1	Knob-Adjuster	10	82-2190	1	Switch
6	116-5659	1	Cover-Suspension Bellows	11	116-9329	4	Spacer
				12	126-9918-03	2	Stop, Seat ●

● Used on Diesel models only

Hood and Console Assembly

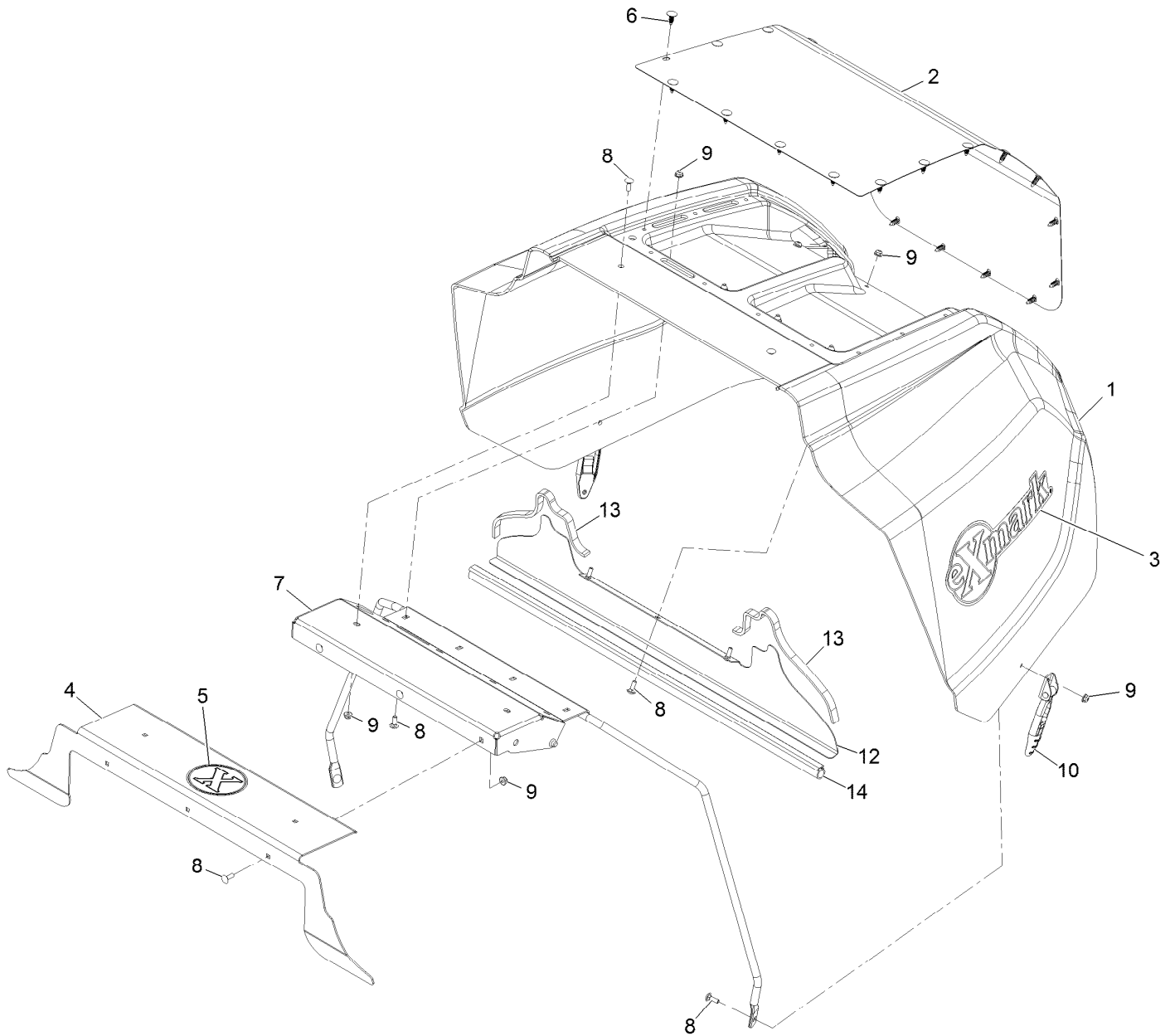


Hood and Console Assembly (continued)

<i>Ref.</i>	<i>Part Number</i>	<i>Qty.</i>	<i>Description</i>	<i>Ref.</i>	<i>Part Number</i>	<i>Qty.</i>	<i>Description</i>
1		1	Hood ASM ●	10	120-9129	1	Prop-Hood
2	126-6787	1	Cover-Tank, RH	11	3290-255	3	Pin-Cotter, Hair
3	126-6790	1	Cover-Tank, LH	13	126-8672	2	Latch-Catch
4	126-6992	1	Decal-Exmark	14	32144-10	2	Screw-HWH
5	135-2274	1	Decal-Exmark	15	3256-71	4	Washer-Flat
7	107069	1	Clip	17	135-3173	1	Decal-Turbo Diesel-RH
8	126-8216	12	Screw-Torx	18	135-3174	1	Decal-Turbo Diesel-LH
9	3256-4	4	Washer-Flat				

● Not serviced separately

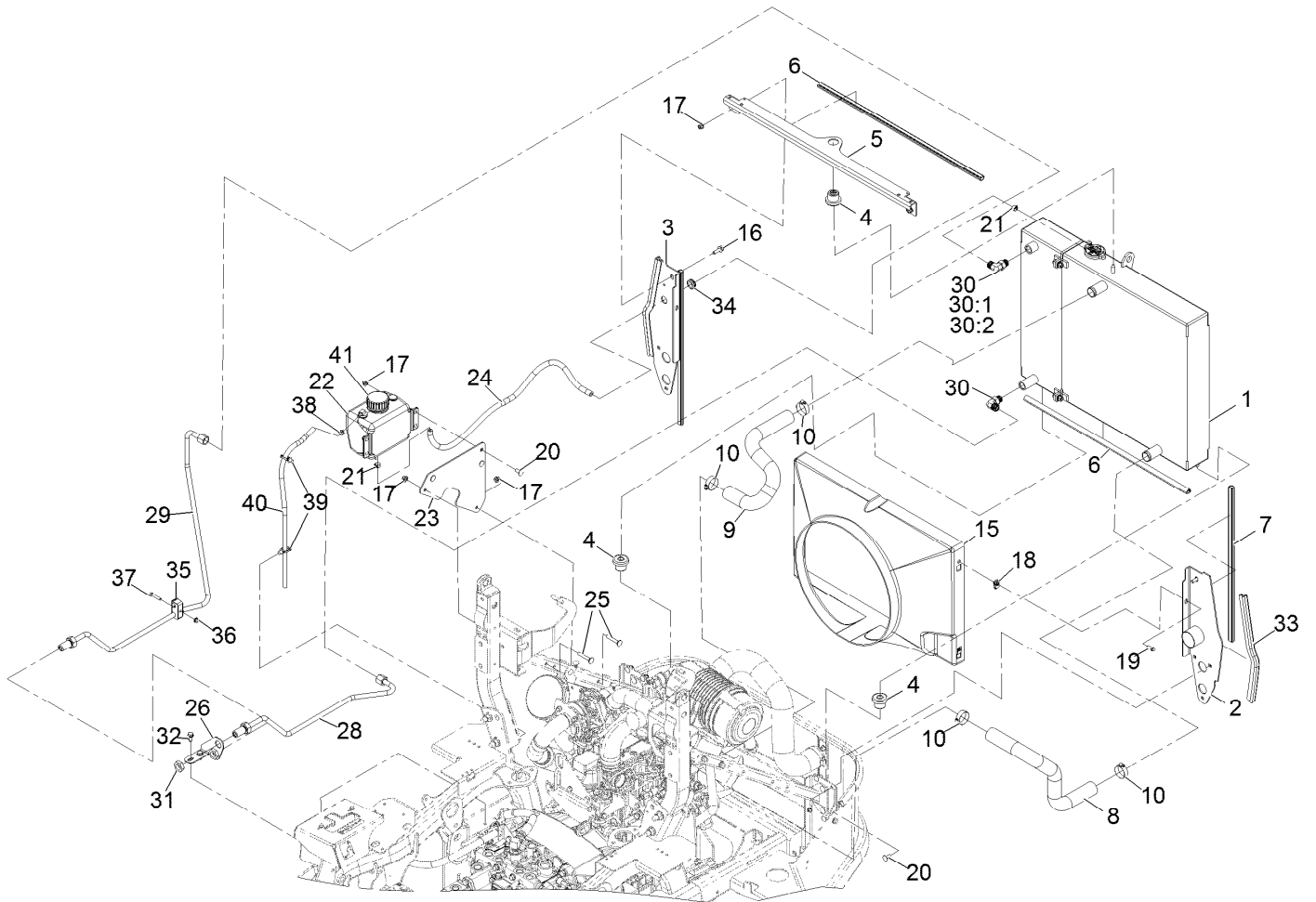
Hood Assembly (cont.)



Hood Assembly (cont.) (continued)

<i>Ref.</i>	<i>Part Number</i>	<i>Qty.</i>	<i>Description</i>	<i>Ref.</i>	<i>Part Number</i>	<i>Qty.</i>	<i>Description</i>
1	126-6784	1	Hood	8	3229-1	14	Bolt-Carriage 1/4-20 X 3/4
2	126-6785-03	1	Screen-Intake	9	104-7201	14	Nut-Nyloc 1/4-20 Flg
3	126-6992	2	Decal-Exmark	10	103-2898	2	Latch-Rubber
4	126-8648-03	1	Hood-Block Off	12	126-6849-03	1	Plate-Seal
5	126-7457	1	Decal-X-Logo	13	126-6848	2	Seal-Foam
6	117-2382	22	Plug-Plastic	14	126-6846	1	Seal-Bulb
7	126-6524-03	1	Support-Hood				

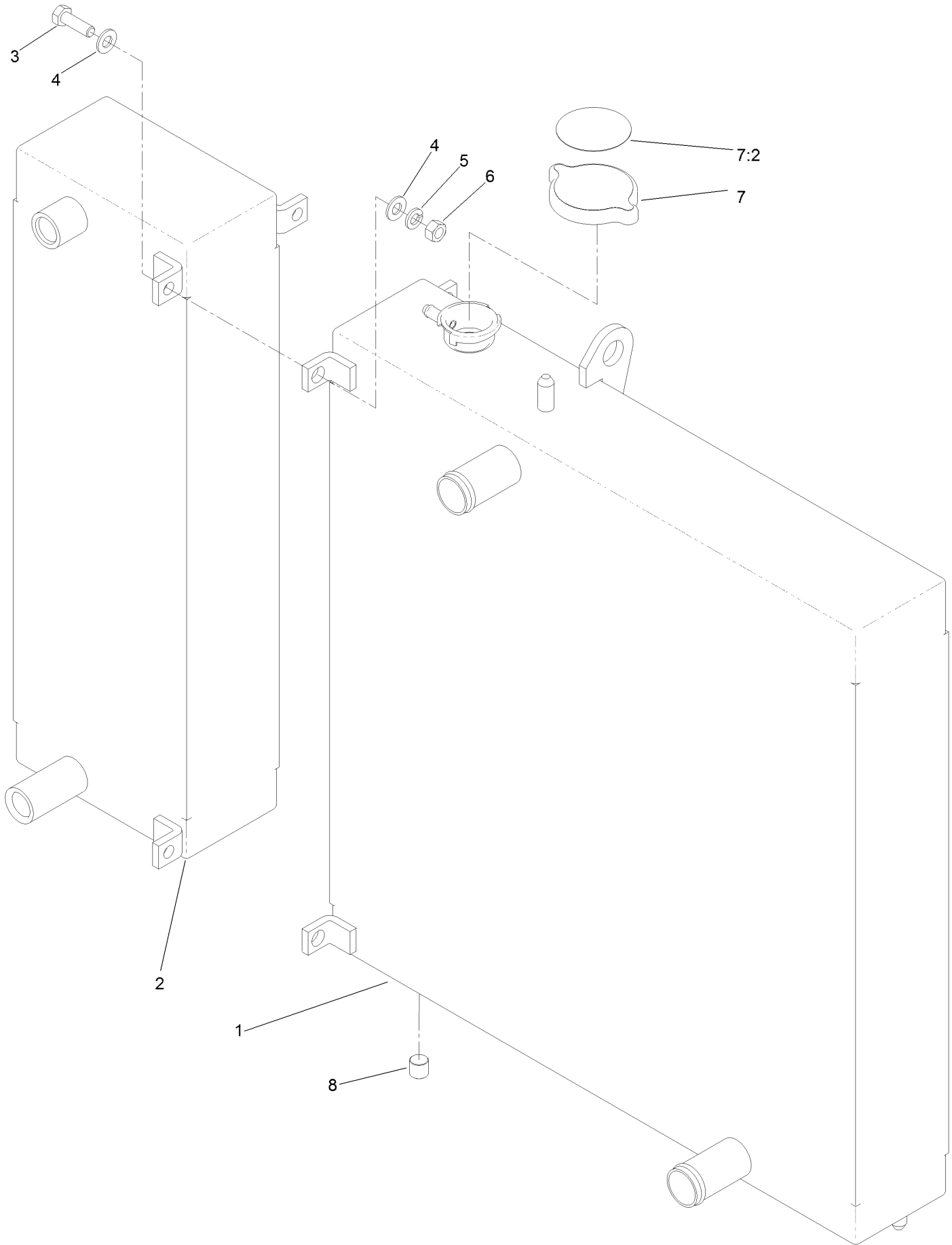
Cooling Assembly



Cooling Assembly (continued)

<i>Ref.</i>	<i>Part Number</i>	<i>Qty.</i>	<i>Description</i>	<i>Ref.</i>	<i>Part Number</i>	<i>Qty.</i>	<i>Description</i>
1	121-3330	1	Cooling ASM	24	126-7648	1	Hose
2	126-9026-03	1	Support-Radiator, LH	25	3230-6	2	Bolt-Carriage 3/16-18 X 2
3	126-9028-03	1	Support-Radiator, RH	26	126-6781-03	1	Bracket-Bulkhead
4	119-1422	3	Mount-Isolator	28	126-8691	1	Hydraulic Tube ASM
5	120-0068-03	1	Bracket-Cooling, Top	29	126-8690	1	Hydraulic Tube ASM
6	119-1427	2	Seal-Bulb	30	340-98	2	Fitting-Elbow, 90 DEG
7	119-1426	2	Seal-Bulb	30:1	237-79	1	O-Ring
8	126-7787	1	Hose-Radiator, Lower	30:2	237-30	1	O-Ring
9	126-7788	1	Hose-Radiator, Upper	31	340-127	2	Nut-Bulkhead
10	2412-34	4	Clamp-Hose	32	32144-70	2	Screw-HWH 5/16-18 X 3/4 Tf
15	126-6720	1	Shroud-Fan	33	126-6847	2	Seal-Bulb
16	3234-29	2	Screw-HH Flg 5/16-18 X 1	34	237-124	1	Grommet
17	104-8300	13	Nut-Nyloc 5/16-18 Flg	35	135-0641	1	Clamp-Twin
18	107069	4	Nut-Retainer-Panel 1/4-20	36	104-7201	1	Nut-Nyloc 1/4-20 Flg
19	32105-15	4	Screw-Machine 1/4-20 X 3/4	37	321-13	1	Screw-HH 1/4-20 X 1 3/8
20	3230-23	9	Bolt-Carriage 5/16-18 X 3/4 Short Neck	38	2412-98	1	Clamp-Hose
21	92-2379	2	Clamp-Hose	39	32180-030	2	Clip-Tie
22	135-4692	1	Tank-Overflow, W/Cap	40	110-4103	1	Hose-Fuel
23	126-9178-03	1	Bracket-Bottle	41	135-4693	1	Cap-W/Tether, 2.25

Cooling Assembly (cont.)

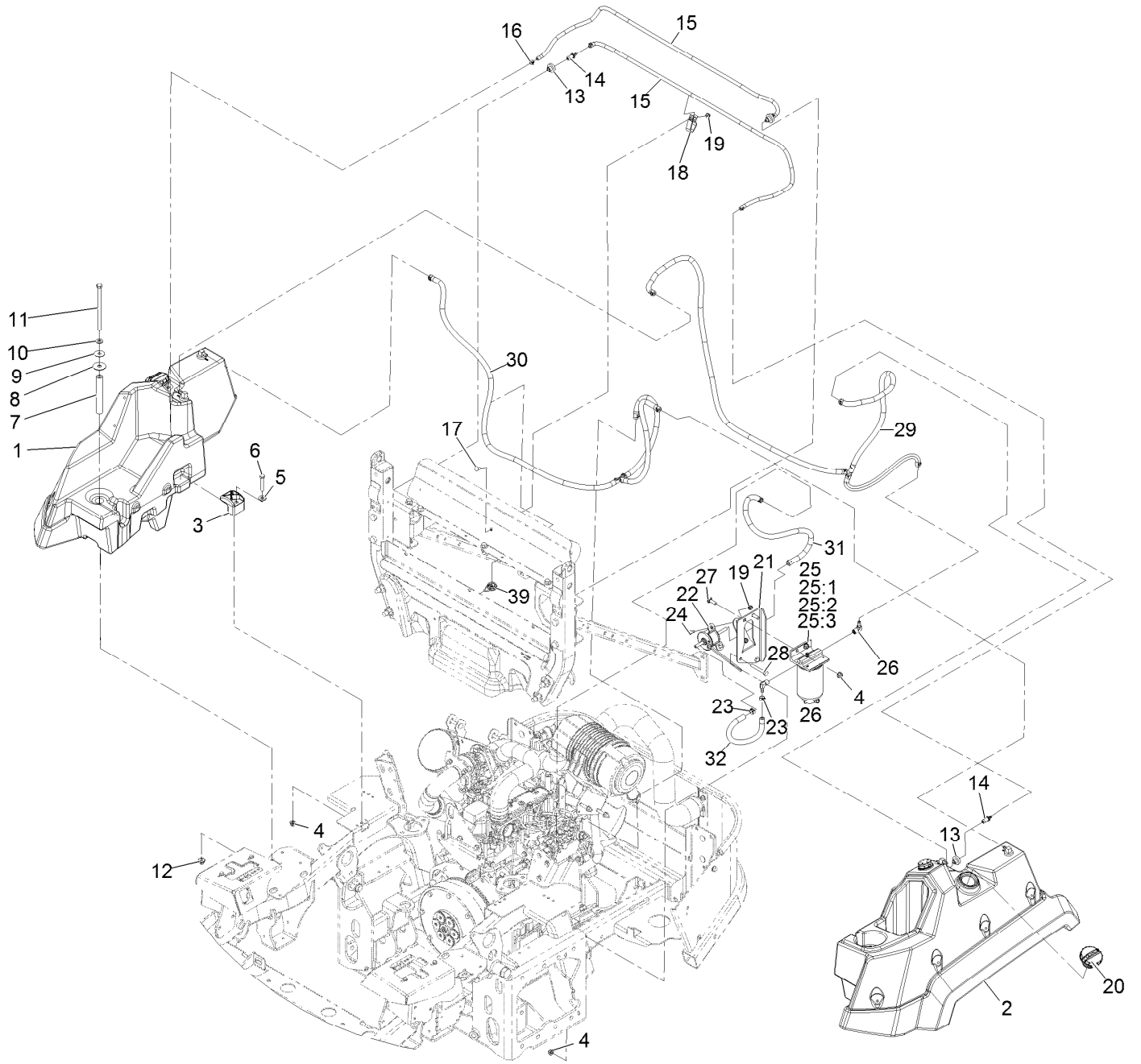


Cooling Assembly (cont.) (continued)

<i>Ref.</i>	<i>Part Number</i>	<i>Qty.</i>	<i>Description</i>
1	121-3328	1	Radiator
2	121-3329	1	Oil Cooler
3	322-5	3	Screw-HH
4	3256-23	6	Washer-Plain
5	3253-4	3	Washer-Lock

<i>Ref.</i>	<i>Part Number</i>	<i>Qty.</i>	<i>Description</i>
6	3217-6	3	Nut-Hex
7	119-1430	1	Radiator Cap ASM
7:2	117-3276	1	Decal-Danger
8	99-8551	1	Plug-Pipe

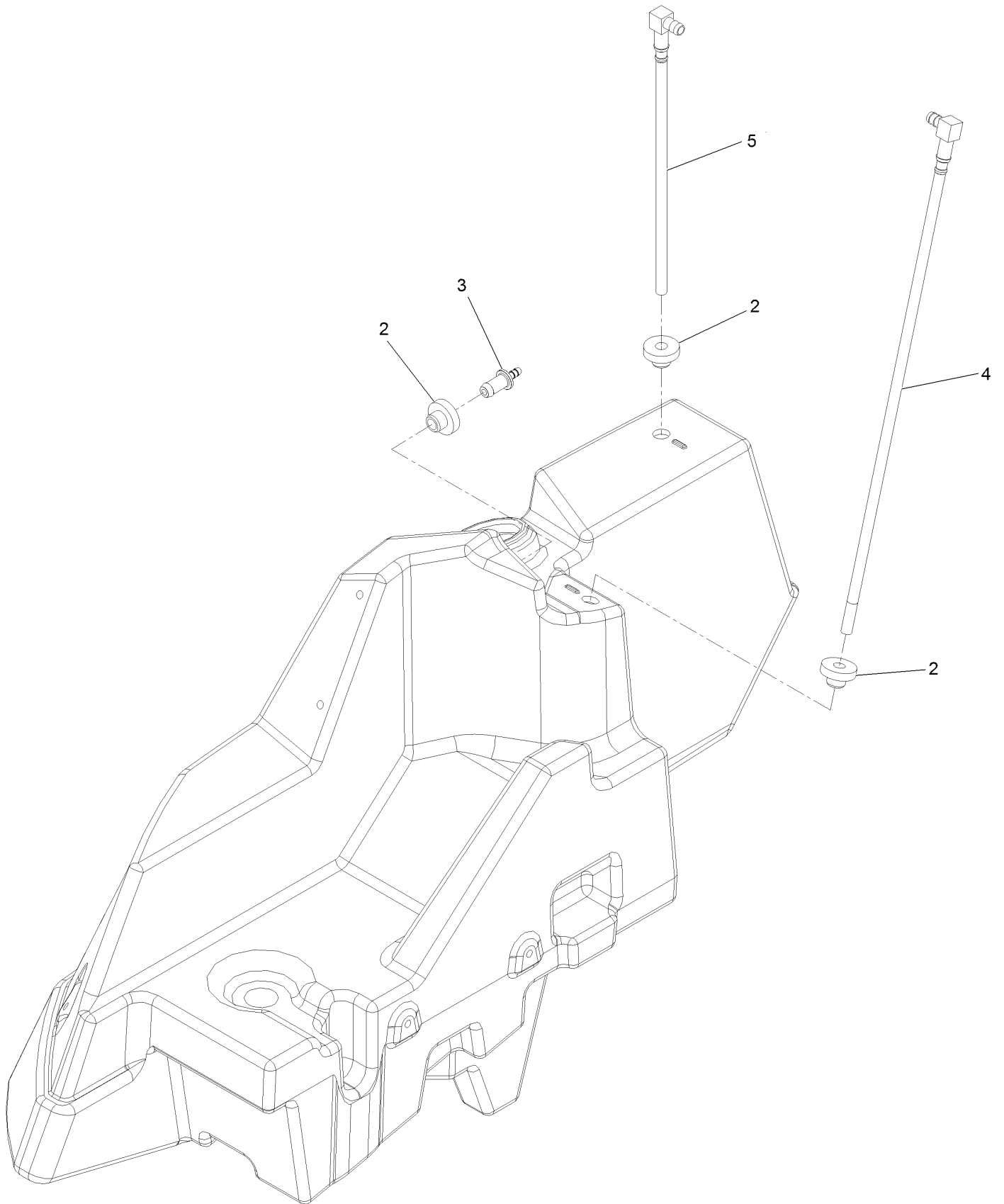
Fuel Assembly



Fuel Assembly (continued)

<i>Ref.</i>	<i>Part Number</i>	<i>Qty.</i>	<i>Description</i>	<i>Ref.</i>	<i>Part Number</i>	<i>Qty.</i>	<i>Description</i>
1	126-8651	1	RH Fuel Tank ASM	20	135-2715	2	Cap-Fuel, Diesel
2	126-8652	1	LH Fuel Tank ASM	21	135-0166-03	1	Bracket-Filter & Pump, Fuel
3	107-4543	4	Clamp	22	121-5613	1	Pump-Fuel, Electric
4	104-8300	8	Nut-Nyloc 5/16-18 Flg	23	92-2379	4	Clamp-Hose
5	3256-3	4	Washer-5/16 Std	24	32105-15	2	Screw-Machine 1/4-20 X 3/4
6	322-21	4	Screw-HH	25	110-9044	1	Separator-Filter
7	126-8335	2	Tube-Spacer	25	116-0290	1	ASM,Fuel Filter
8	95-1905	2	Washer-Rubber	25:1	110-9049	1	Filter-Spin On
9	105-6814	2	Washer-Plain	25:2	116-0289	1	Filter,Fuel
10	3256-24	2	Washer-3/8 SAE	25:3	116-1559	2	Decal,Exmark Filter
11	323-22	2	Screw-HH	26	353-781	2	Fitting-Elb, 90
12	104-8301	2	Nut-Nyloc 3/8-16 Flg	27	3230-22	2	Bolt-Carriage 5/16-18 X 1 Sp
13	46-6560	2	Bushing	28	322-11	2	Screw-HH 5/16-18 X 2 1/4
14	116-4630	2	Fitting-Orifice, Straight	29	135-0510	1	ASM-Fuel Line, Suction
15	117-6395	2	Hose-Vent, Tank	30	135-0511	1	ASM-Fuel Line, Return
16	2412-80	4	Clamp-Hose	31	109-0308	1	Hose-Fuel
17	3229-11	3	Bolt-Carriage 1/4-20 X 5/8	32	110-4105	1	Hose-Fuel
18	92-5753	3	Clamp-Hose	39	32180-030	1	Clip-Tie
19	104-7201	5	Nut-Nyloc 1/4-20 Flg				

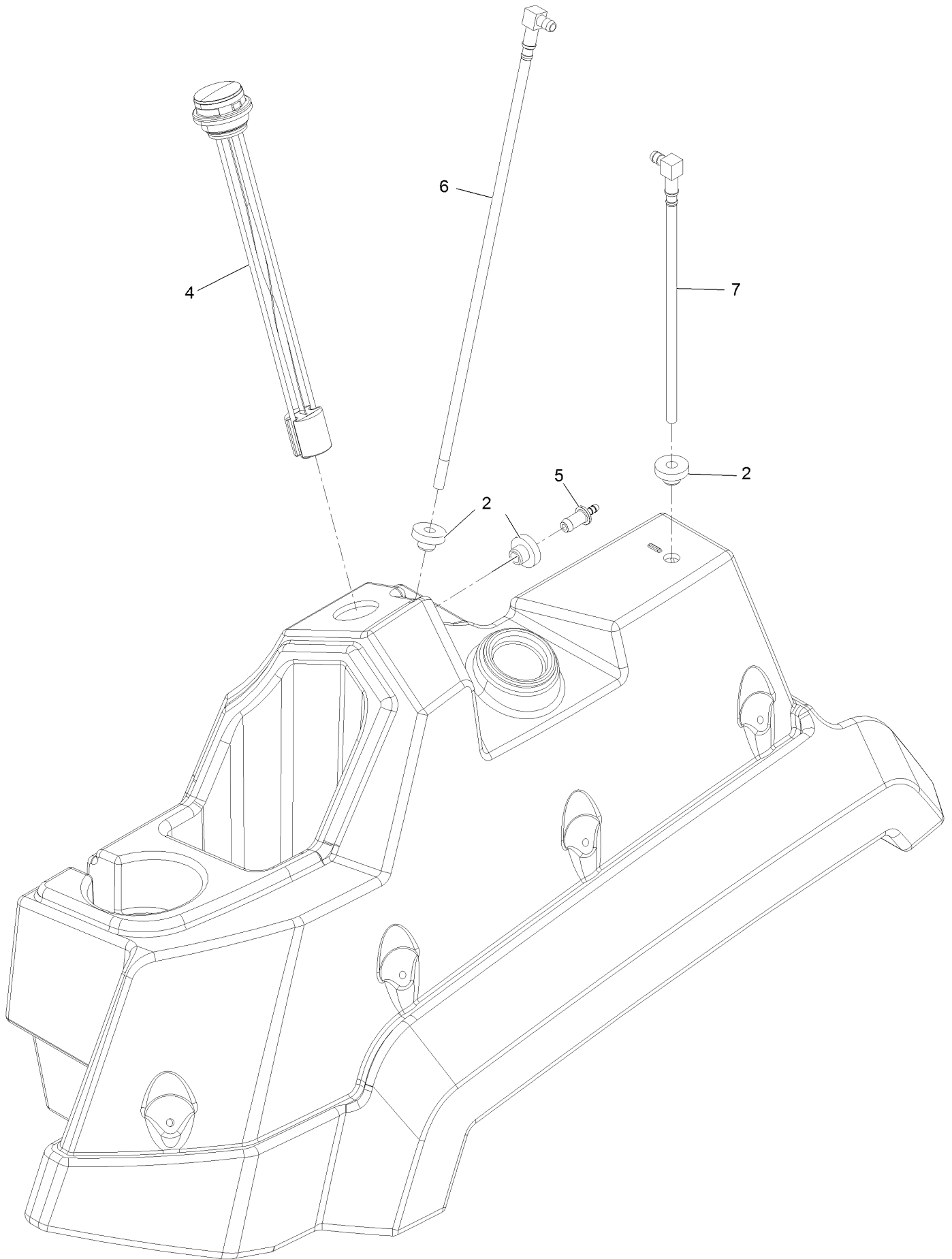
RH Fuel Tank Assembly



RH Fuel Tank Assembly (continued)

<i>Ref.</i>	<i>Part Number</i>	<i>Qty.</i>	<i>Description</i>	<i>Ref.</i>	<i>Part Number</i>	<i>Qty.</i>	<i>Description</i>
2	46-6560	3	Bushing	4	126-8647	1	Pick-Up-Fuel
3	116-4630	1	Fitting-Orifice, Straight	5	126-8649	1	Return-Fuel

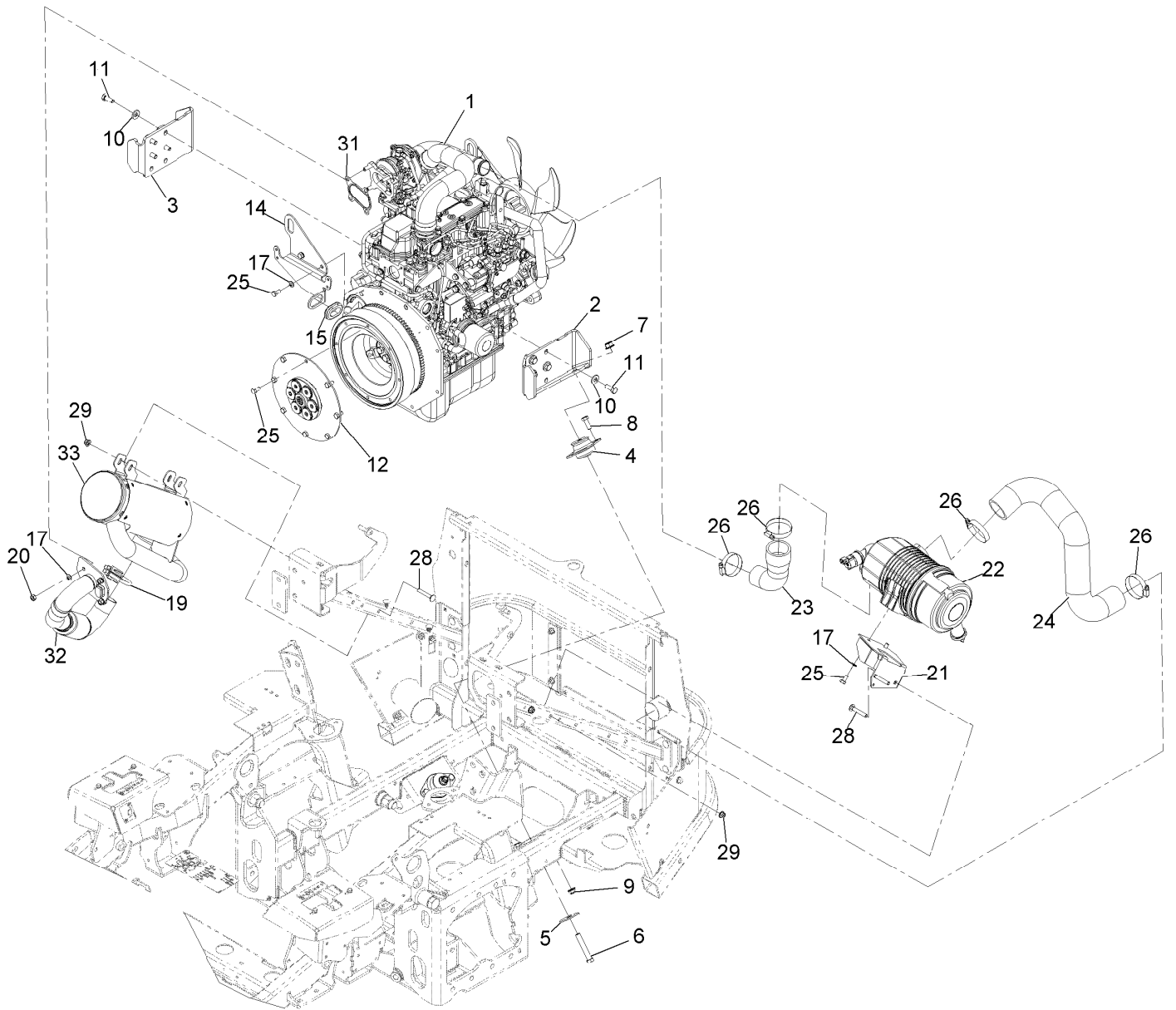
LH Fuel Tank Assembly



LH Fuel Tank Assembly (continued)

<i>Ref.</i>	<i>Part Number</i>	<i>Qty.</i>	<i>Description</i>	<i>Ref.</i>	<i>Part Number</i>	<i>Qty.</i>	<i>Description</i>
2	46-6560	3	Bushing	6	126-8647	1	Pick-Up-Fuel
4	126-8660	1	Gauge-Fuel	7	126-8649	1	Return-Fuel
5	116-4630	1	Fitting-Orifice, Straight				

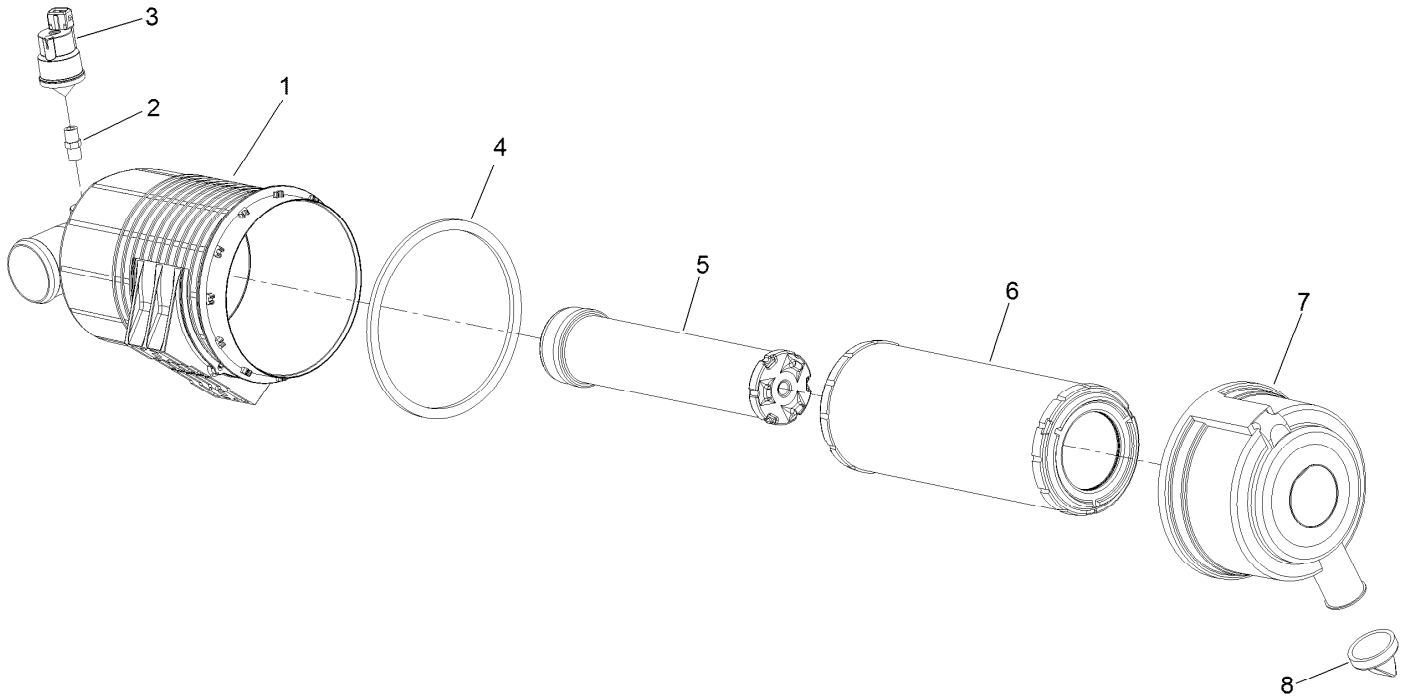
Engine Assembly



Engine Assembly (continued)

<i>Ref.</i>	<i>Part Number</i>	<i>Qty.</i>	<i>Description</i>	<i>Ref.</i>	<i>Part Number</i>	<i>Qty.</i>	<i>Description</i>
1	126-8758	1	Engine,Yanmar	17	3290-475	8	Washer-Belleville
2	126-9282-03	1	Mount-Engine, Lt [black]	19	18-2130	1	Clamp
3	126-9285-03	1	Mount-Engine, Rt [black]	20	33014-00	4	Nut-Hex M8-1.25
4	130-2486	2	Mount	21	126-8730-03	1	Bracket-Cleaner, Air
5	87-5100	2	Washer-Snubbing	22	126-7646	1	Air Cleaner ASM
6	324-11	2	Screw-HH	23	126-7288	1	Hose-Air
7	114-8417	2	Nut-HF, NI	24	120-9177	1	Hose-Air
8	323-6	4	Screw-HH 3/8-16 X 1	25	99-5132	12	Bolt
9	104-8301	4	Nut-Nyloc 3/8-16 Flg	26	2412-130	4	Clamp-Hose
10	98-5975	8	Washer-Spring Disc 3/8	28	3230-6	4	Bolt-Carriage 3/16-18 X 2
11	33115-025	8	Screw-HH M10-1.5 X 35Mm	29	104-8300	4	Nut-Nyloc 5/16-18 Flg
12	126-6531	1	Flywheel Coupling ASM	31	136-2307	1	Gasket-Header
14	126-7610-03	1	Bracket-Guide	32	126-9329	1	Header Pipe
15	108-3723	1	Grommet	33	126-8911	1	Muffler-ASM

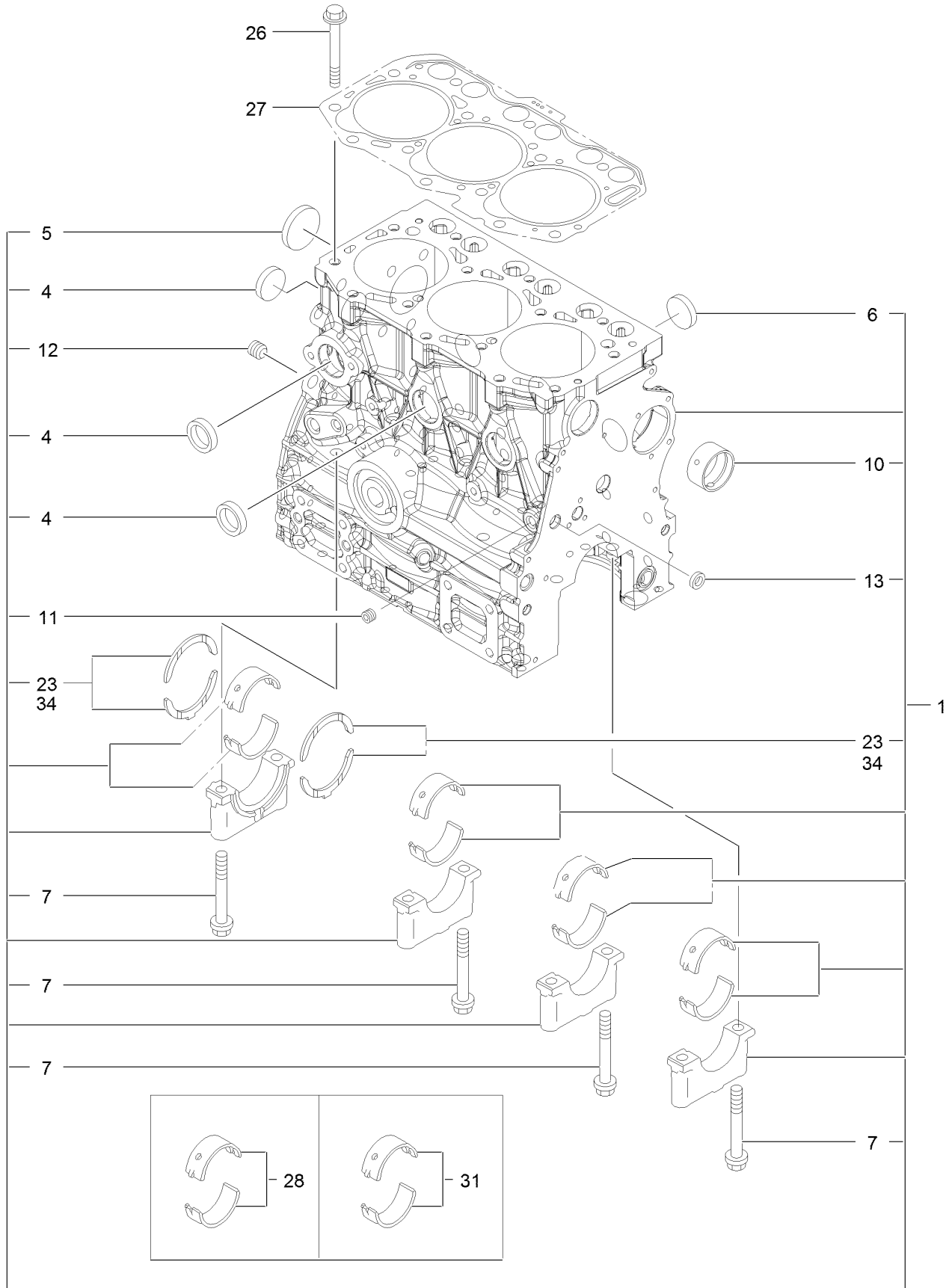
Air Cleaner Assembly



Air Cleaner Assembly (continued)

<i>Ref.</i>	<i>Part Number</i>	<i>Qty.</i>	<i>Description</i>	<i>Ref.</i>	<i>Part Number</i>	<i>Qty.</i>	<i>Description</i>
1	126-7647	1	Body-Cleaner, Air	5	114-4057	1	Element-Safety, 5 Inch
2	105-4292	1	Nipple-Pipe	6	108-3810	1	Filter-Air
3	126-7651	1	Indicator-Mini	7	104-0497	1	Cover
4	104-4897	1	Gasket	8	104-0498	1	Valve-Vacuator

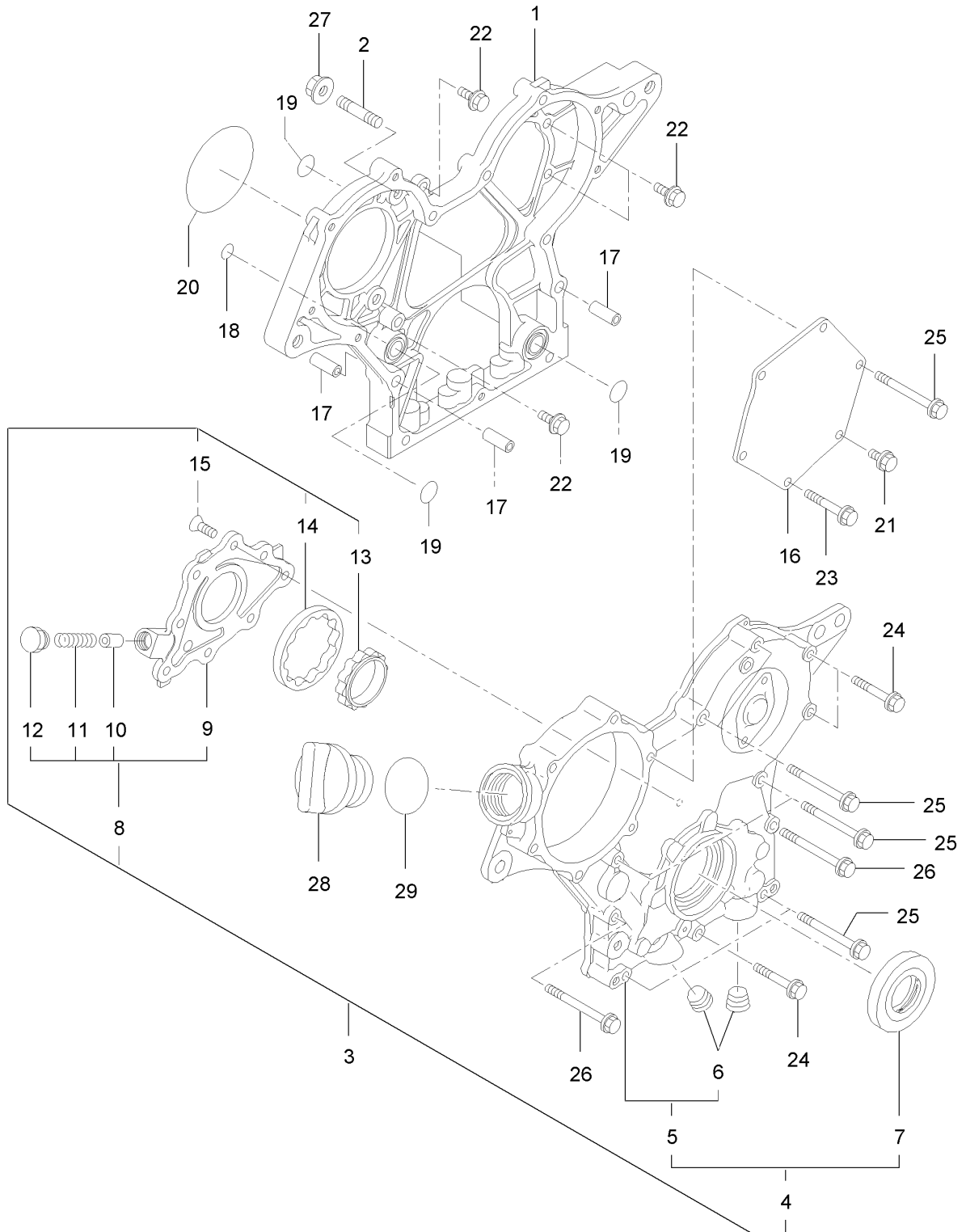
Cylinder Block Assembly



Cylinder Block Assembly (continued)

<i>Ref.</i>	<i>Part Number</i>	<i>Qty.</i>	<i>Description</i>	<i>Ref.</i>	<i>Part Number</i>	<i>Qty.</i>	<i>Description</i>
1	135-4030	1	Block ASM-Cylinder	13	125-7237	1	Plug
4	135-4031	4	Plug, Cup Type 30	23	135-4036	2	Bearing Assy-Thrust
5	135-4032	1	Plug-Dish	26	135-4037	14	Bolt, Cylinder Head
6	135-4033	3	Plug-Cup Type 25	27	135-4038	1	Gasket Set-Head
7	135-4034	8	Bolt-Metal Cap	28	135-4039	4	Bearing Assy-Main
10	135-4035	1	Bush-Camshaft	31	135-4040	4	Bearing Assy-Main
11	125-6969	1	Plug	34	135-4041	2	Bearing-Thrust
12	125-6973	1	Plug				

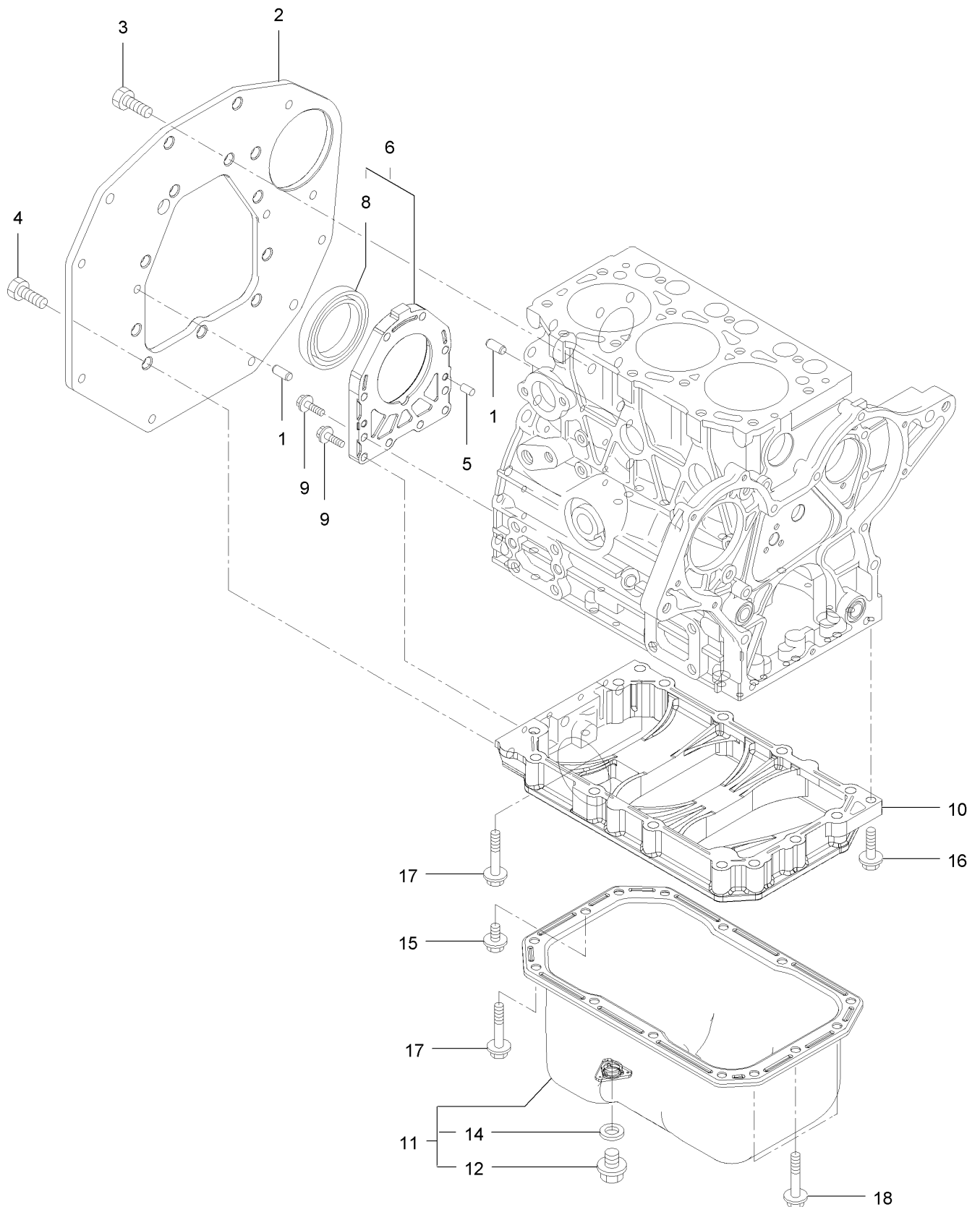
Gear Housing Assembly



Gear Housing Assembly (continued)

<i>Ref.</i>	<i>Part Number</i>	<i>Qty.</i>	<i>Description</i>	<i>Ref.</i>	<i>Part Number</i>	<i>Qty.</i>	<i>Description</i>
1	135-4042	1	Case-Gear	16	135-4056	1	Cover-Pump
2	135-4043	3	Bolt-Stud	17	135-4057	4	Pipe-Dowel
3	135-4044	1	Cover ASM-Gear Case	18	127-2973	1	O-Ring
4	135-4045	1	Cover Assy-Gear Case	19	135-4058	3	O-Ring
5	135-4046	1	Cover-Gear Case	20	125-6957	1	O-Ring
6	133-6798	2	Plug	21	125-7206	1	Bolt
7	135-4047	1	Seal-Oil	22	125-7208	4	Bolt
8	135-4048	1	Cover ASM	23	125-7211	4	Bolt
9	135-4049	1	Cover-Pump	24	125-7211	3	Bolt
10	135-4050	1	Valve-Relief	25	135-4059	7	Bolt
11	135-4051	1	Spring	26	136-8257	2	Bolt
12	135-4052	1	Plug	27	125-7229	3	Nut
13	135-4053	1	Rotor-Inner	28	125-6972	1	Cover-Filler
14	135-4054	1	Rotor-Outer	29	125-7197	1	O-Ring
15	135-4055	8	Screw				

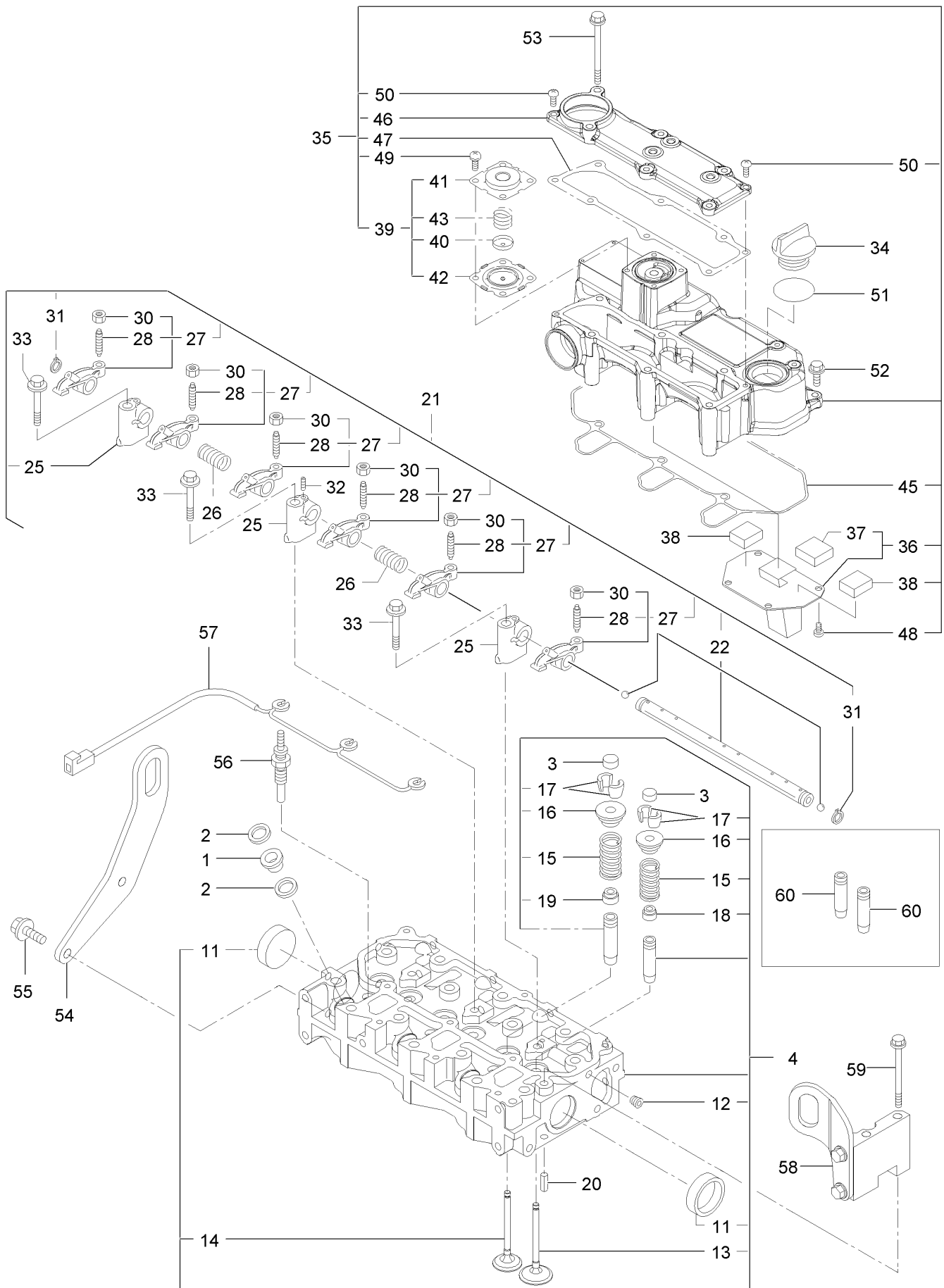
Flywheel Housing and Oil Sump Assembly



Flywheel Housing and Oil Sump Assembly (continued)

<i>Ref.</i>	<i>Part Number</i>	<i>Qty.</i>	<i>Description</i>	<i>Ref.</i>	<i>Part Number</i>	<i>Qty.</i>	<i>Description</i>
1	125-6995	2	Pin	10	135-4066	1	Spacer-Oil Pan
2	135-4060	1	Flange-Mounting	11	135-4067	1	Oil Pan ASM
3	135-4061	9	Bolt	12	135-4068	1	Plug
4	125-7226	3	Bolt	14	136-8236	1	Washer-Seal
5	135-4062	2	Pin-Parallel	15	125-7212	1	Bolt
6	135-4063	1	Case ASM-Oil Seal	16	125-7216	1	Bolt
8	135-4064	1	Seal-Oil	17	125-7219	11	Bolt
9	135-4065	10	Bolt	18	125-7220	3	Bolt

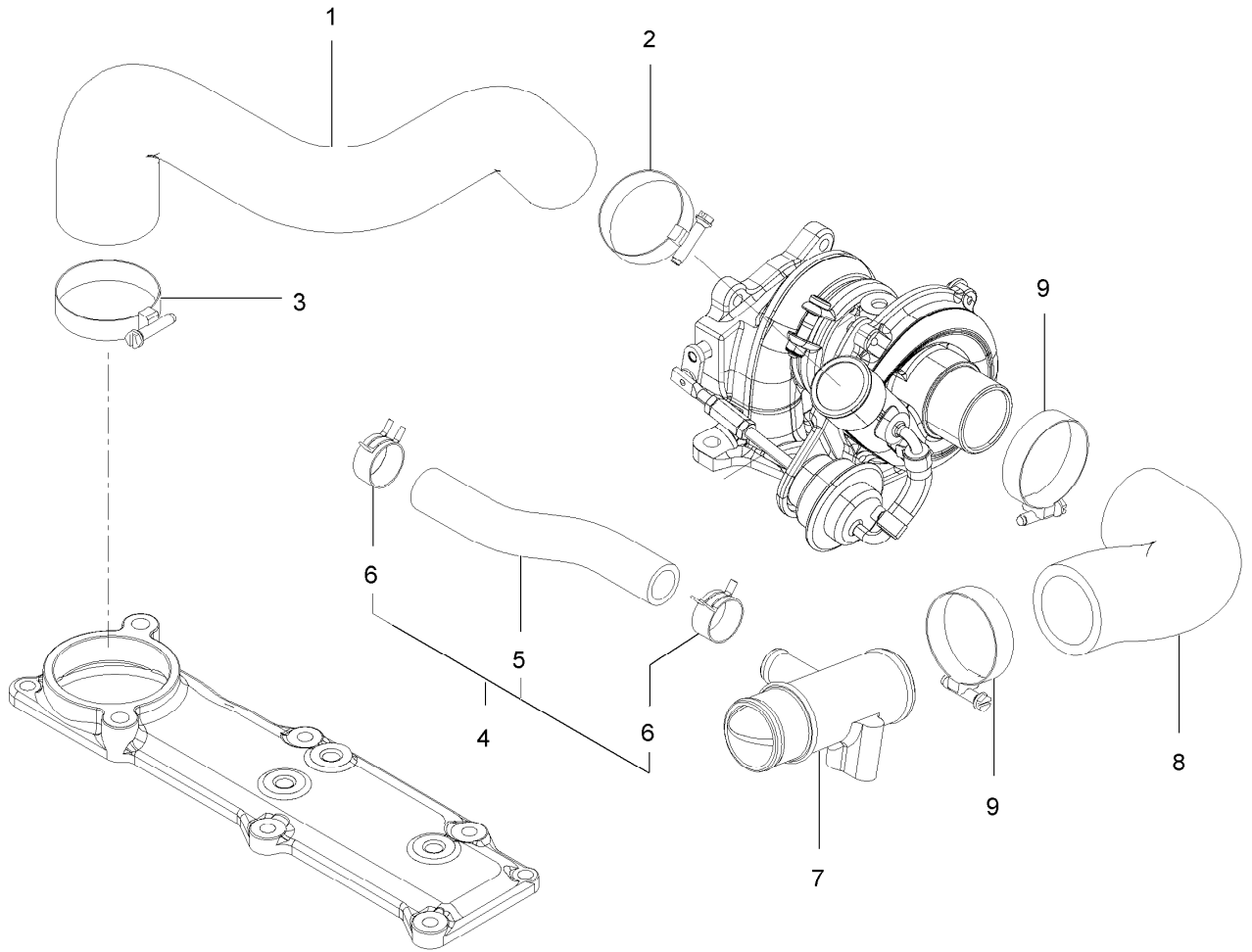
Cylinder Head and Cover Assembly



Cylinder Head and Cover Assembly (continued)

<i>Ref.</i>	<i>Part Number</i>	<i>Qty.</i>	<i>Description</i>	<i>Ref.</i>	<i>Part Number</i>	<i>Qty.</i>	<i>Description</i>
1	135-4069	3	Protector-Nozzle	35	135-4084	1	Bonnet ASM
2	135-4070	6	Gasket-Nozzle	36	135-4085	1	Plate-Baffle
3	135-4071	6	Cap-Valve	37	135-4086	1	Baffle-Breather
4	135-4072	1	Head ASM-Cylinder	38	135-4086	2	Baffle-Breather
11	135-4073	2	Plug-Cup	39	135-4088	1	Diaphragm ASM
12	133-6797	1	Plug	40	135-4089	1	Plate-Diaphragm
13	135-4074	3	Valve-Suction	41	135-4090	1	Cover-Diaphragm
14	135-4075	3	Valve, Exhaust 3	42	135-4091	1	Diaphragm
15	135-4076	6	Spring-Valve	43	135-4092	1	Spring-Diaphragm
16	125-7054	6	Retainer	45	135-4093	1	Gasket-Bonnet
17	125-6914	12	Cotter	46	135-4094	1	Cover ASM-Bonnet
18	125-6915	3	Seal-Stem, Valve	47	135-4095	1	Gasket
19	125-6916	3	Seal-Stem, Valve	48	125-7186	4	Screw
20	125-7184	2	Pin-Spring	49	125-7186	4	Screw
21	135-4077	1	Support ASM-Rocker	50	127-3168	2	Screw
22	135-4078	1	Shaft ASM-Rocker	51	125-7197	1	O-Ring
25	135-4079	3	Support-Rocker Arm	52	125-7209	3	Bolt
26	135-4080	2	Spring-Rocker	53	135-4096	6	Bolt
27	135-4081	6	Arm ASM-Rocker	54	135-4097	1	Lifter-Engine
28	125-7013	6	Screw-Adjust, Valve	55	125-7214	2	Bolt
30	125-7014	6	Nut	56	135-4291	3	Plug-Glow
31	135-7082	2	Ring	57	135-4294	1	Connector-Glow Plug
32	135-4083	1	Screw	58	135-4292	1	Lifter ASM
33	125-7218	3	Bolt	59	127-3178	2	Bolt
34	125-6972	1	Cover-Filler	60	125-6917	6	Guide

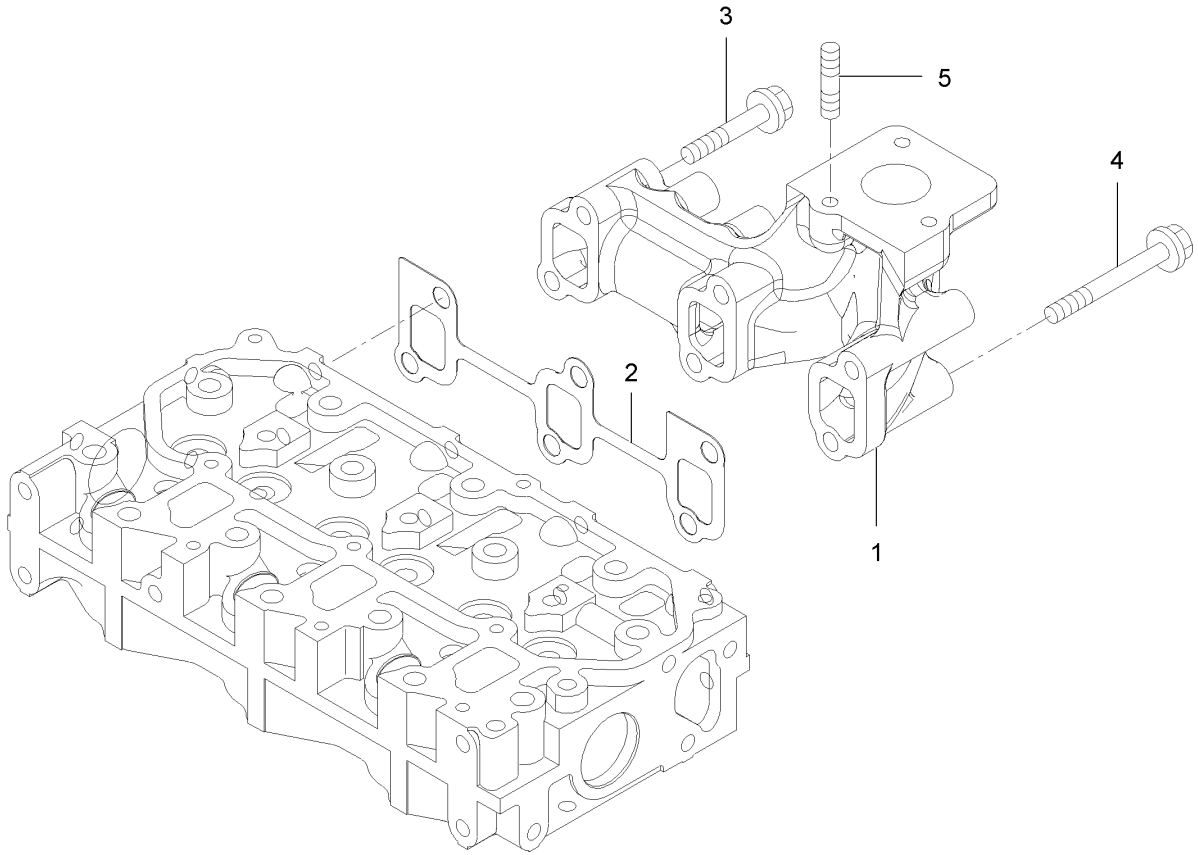
Suction Manifold Assembly



Suction Manifold Assembly (continued)

<i>Ref.</i>	<i>Part Number</i>	<i>Qty.</i>	<i>Description</i>	<i>Ref.</i>	<i>Part Number</i>	<i>Qty.</i>	<i>Description</i>
1	135-4101	1	Hose-Air Intake	6	125-7040	2	Clip-Hose
2	125-7189	1	Clamp-Hose	7	135-4104	1	Joint-Breather
3	127-3170	1	Clamp-Hose	8	135-4105	1	Hose-Air Intake
4	135-4102	1	Hose ASM-Breather	9	127-3170	2	Clamp-Hose
5	135-4103	1	Hose-Breather				

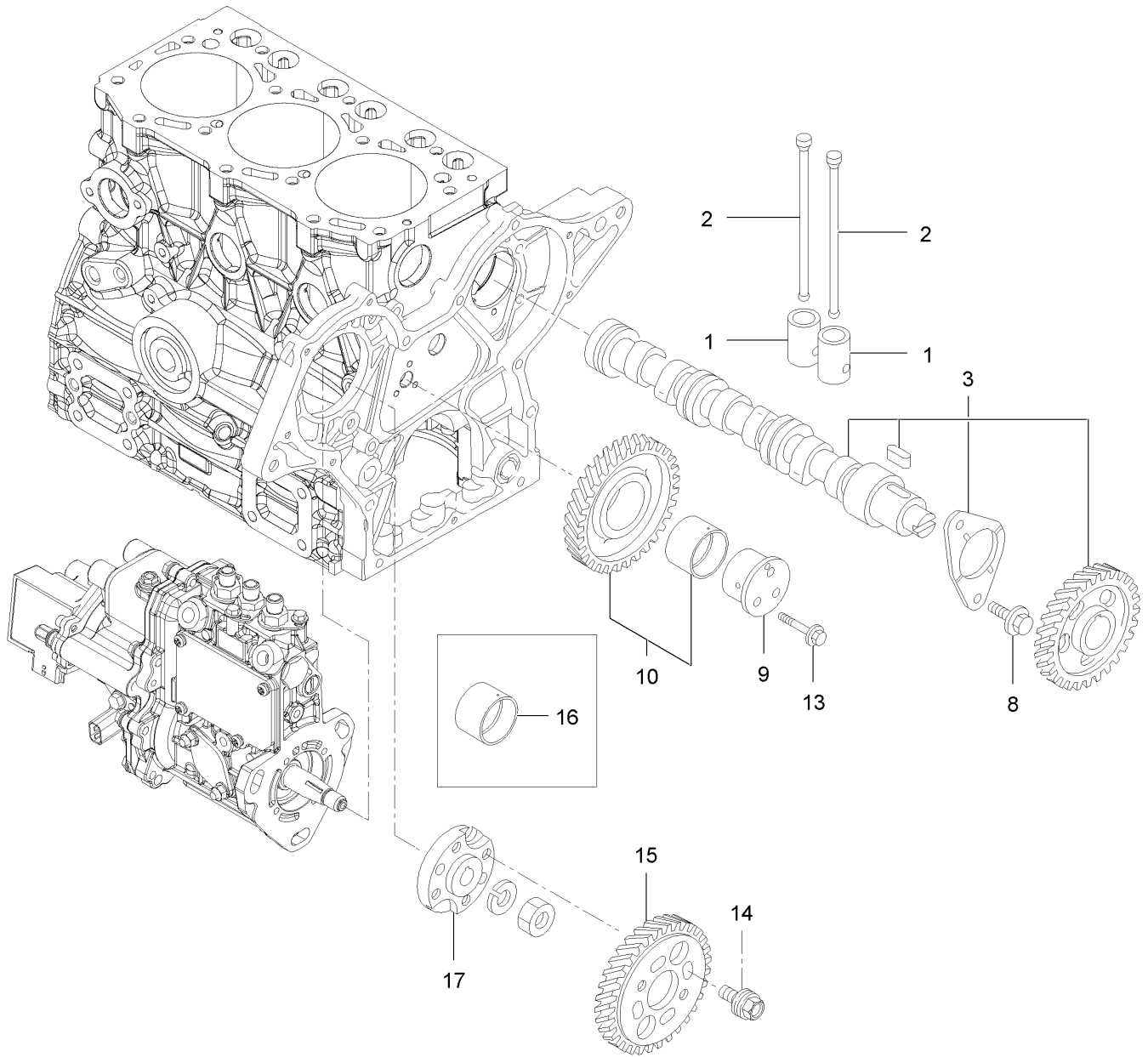
Exhaust Manifold Assembly



Exhaust Manifold Assembly (continued)

<i>Ref.</i>	<i>Part Number</i>	<i>Qty.</i>	<i>Description</i>	<i>Ref.</i>	<i>Part Number</i>	<i>Qty.</i>	<i>Description</i>
1	135-4106	1	Manifold-Exhaust	4	133-6606	3	Bolt
2	135-4107	1	Gasket-Exh Manifold	5	125-7043	3	Stud
3	133-6714	3	Bolt				

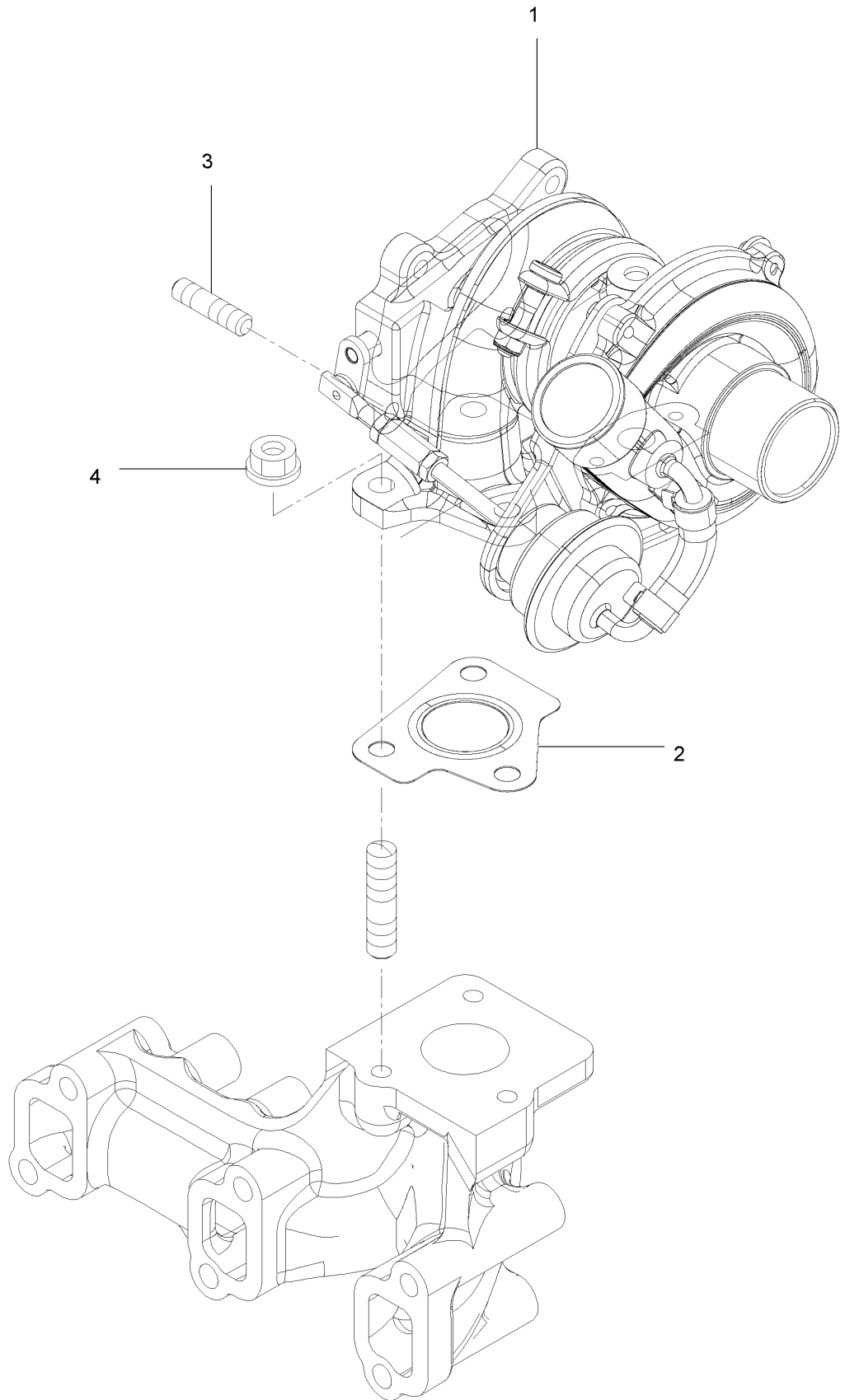
Camshaft and Driving Gear Assembly



Camshaft and Driving Gear Assembly (continued)

<i>Ref.</i>	<i>Part Number</i>	<i>Qty.</i>	<i>Description</i>	<i>Ref.</i>	<i>Part Number</i>	<i>Qty.</i>	<i>Description</i>
1	135-4108	6	Tappet	13	135-4147	3	Bolt
2	135-4109	6	Push-Rod	14	125-7020	4	Bolt
3	135-4110	1	Camshaft ASM	15	135-4148	1	Gear-Pump
8	125-7206	2	Bolt	16	135-4149	1	Bush-Idle Gear
9	135-4145	1	Shaft-Idle	17	135-4150	1	Flange
10	135-4146	1	Gear Assy-Idle				

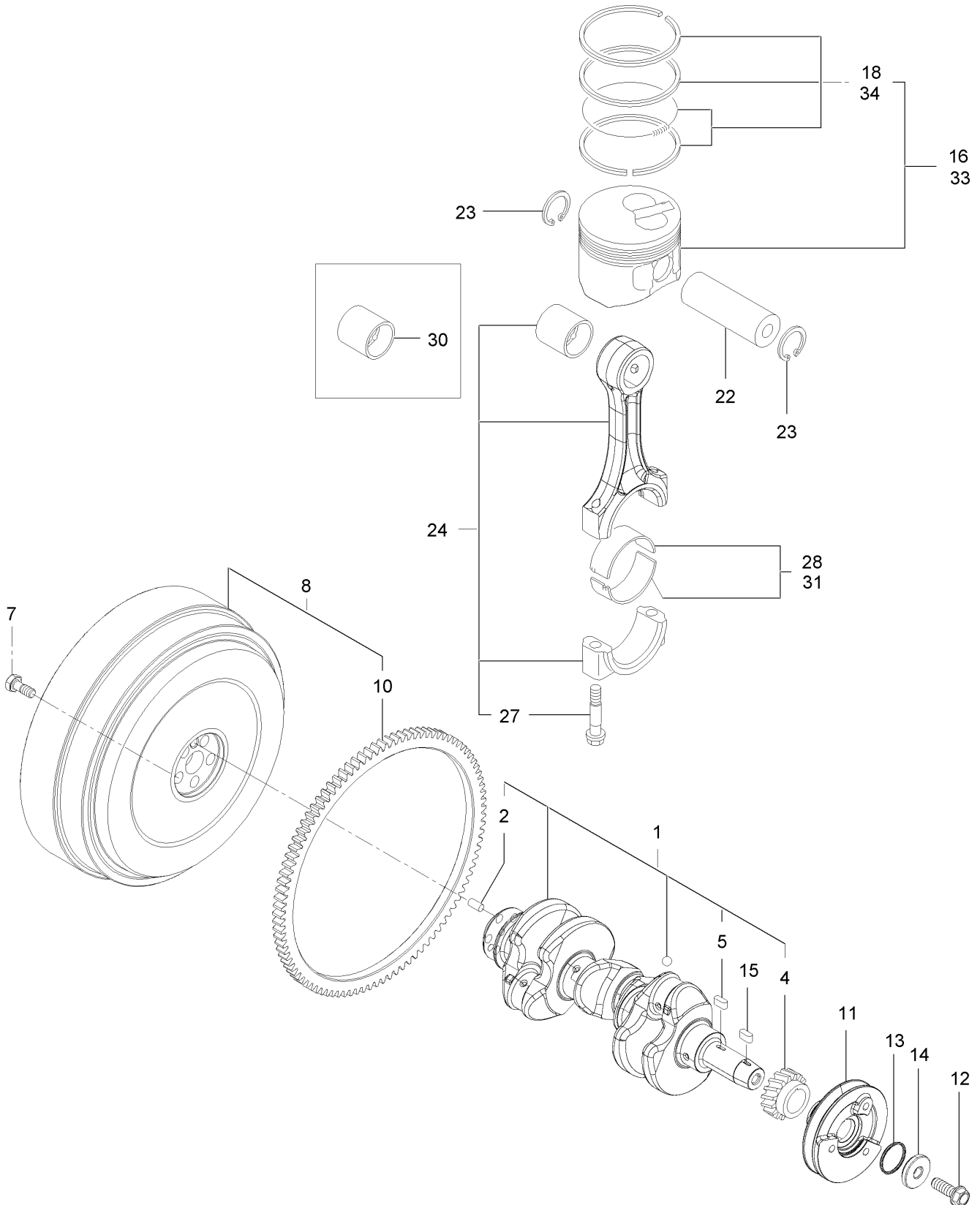
Turbine Assembly



Turbine Assembly (continued)

<i>Ref.</i>	<i>Part Number</i>	<i>Qty.</i>	<i>Description</i>	<i>Ref.</i>	<i>Part Number</i>	<i>Qty.</i>	<i>Description</i>
1	135-4151	1	Turbocharger	3	125-6906	4	Stud
2	127-3799	1	Gasket-In, T C	4	125-7229	3	Nut

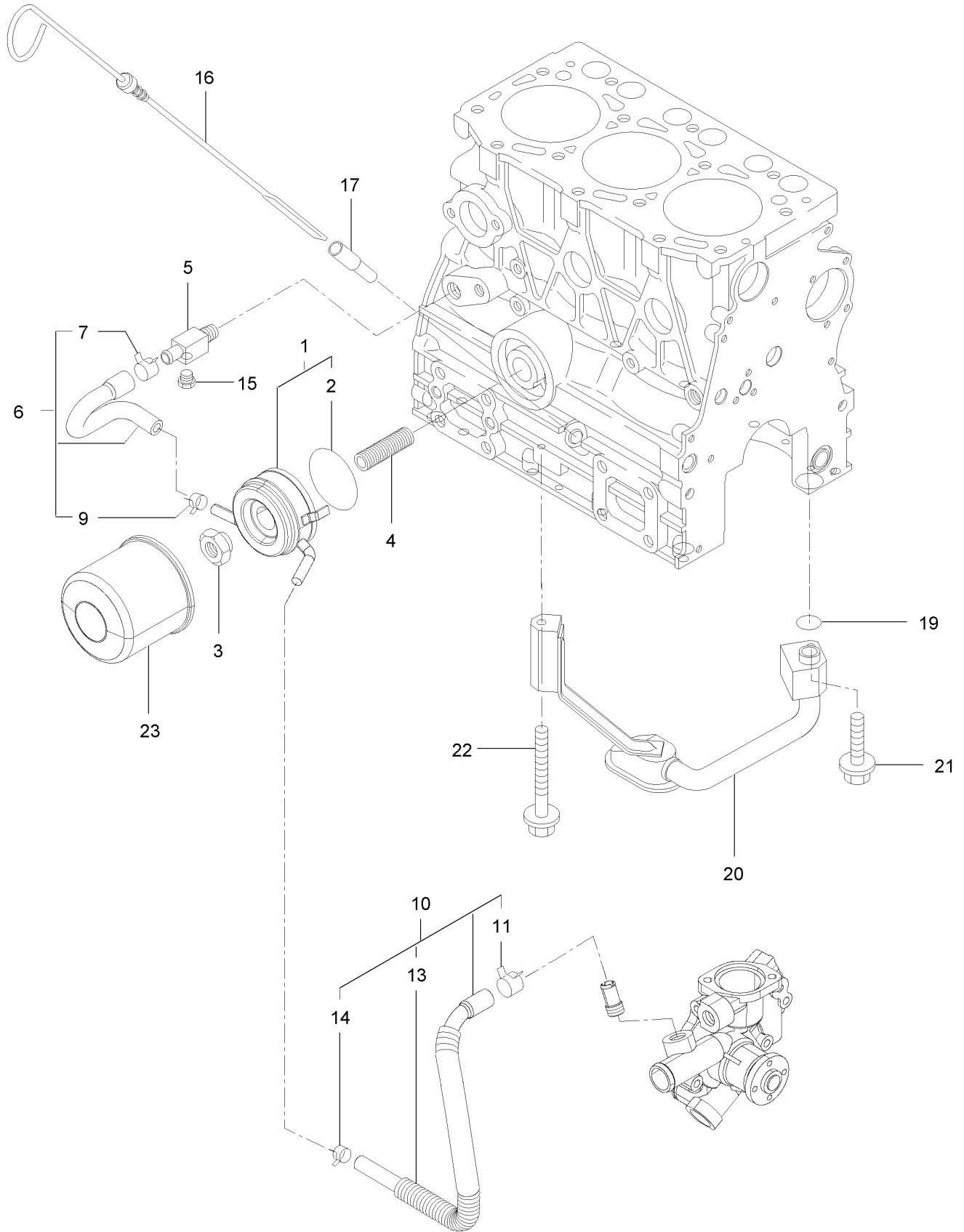
Crankshaft and Piston Assembly



Crankshaft and Piston Assembly (continued)

<i>Ref.</i>	<i>Part Number</i>	<i>Qty.</i>	<i>Description</i>	<i>Ref.</i>	<i>Part Number</i>	<i>Qty.</i>	<i>Description</i>
1	135-4152	1	Crankshaft ASM	16	135-4163	3	Piston ASM
2	125-6995	1	Pin	18	135-4164	3	Ring ASM
4	135-4153	1	Gear-Crankshaft	22	135-4165	3	Pin-Piston
5	135-4154	1	Key	23	135-4166	6	Ring
7	135-4155	5	Bolt, Flywheel 5	24	135-4167	3	Rod ASM-Connecting
8	135-4156	1	Flywheel ASM	27	135-4168	6	Bolt-Connecting Rod
10	135-4157	1	Gear-Ring	28	135-4169	3	Bearing-Crank Pin
11	135-4158	1	V-Pulley, Crankshaft 1	30	135-4170	3	Bearing-Piston Pin
12	135-4159	1	Bolt, Flange 12X1.25 1	31	135-4171	3	119717-23611
13	135-4160	1	Gasket-Washer	33	135-4172	3	Piston ASM
14	135-4161	1	Washer	34	135-4173	3	Ring ASM
15	135-4154	1	Key				

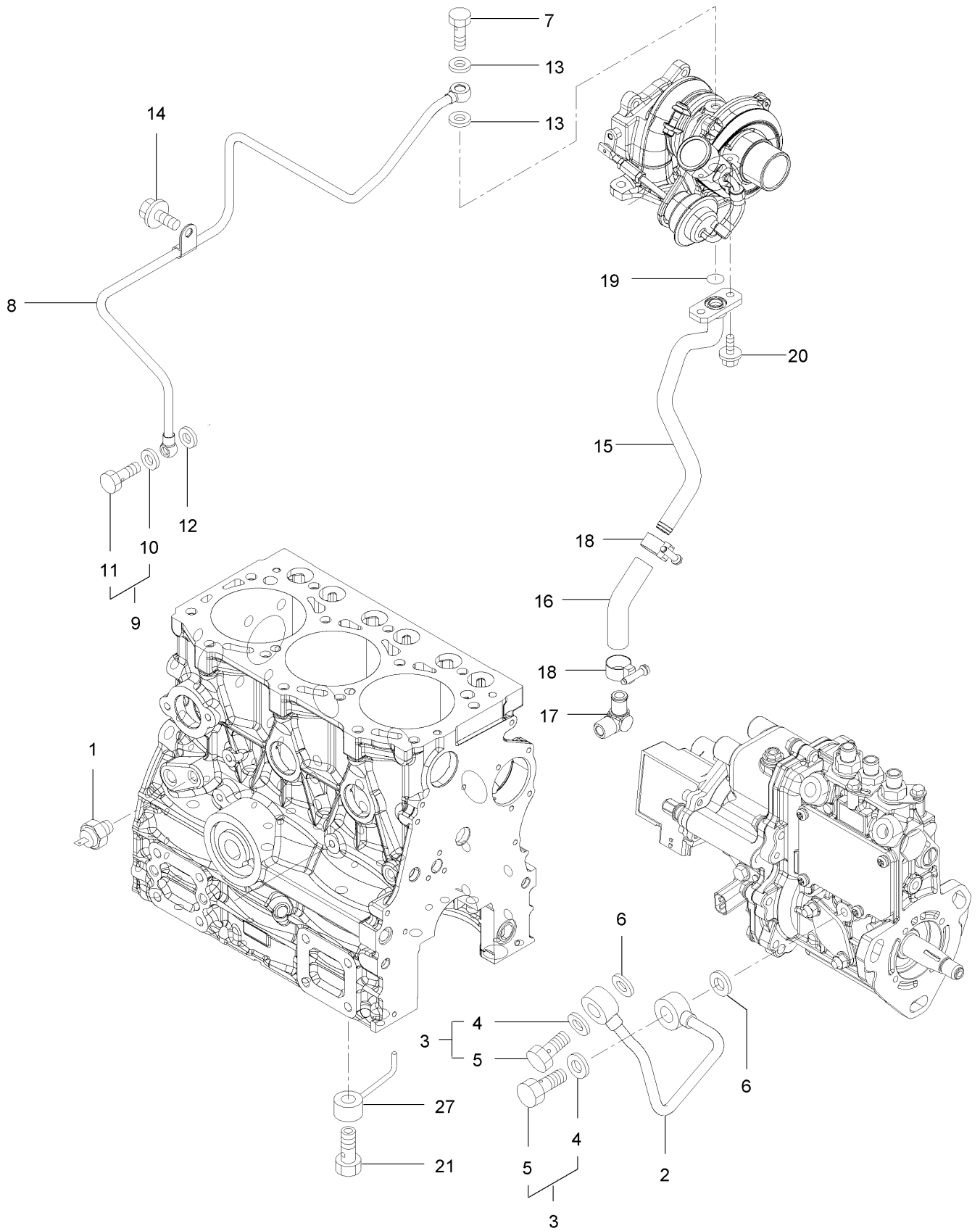
Oil Pump Assembly



Oil Pump Assembly (continued)

<i>Ref.</i>	<i>Part Number</i>	<i>Qty.</i>	<i>Description</i>	<i>Ref.</i>	<i>Part Number</i>	<i>Qty.</i>	<i>Description</i>
1	135-4174	1	Cooler-Oil	13	125-6946	1	Tube
2	125-7075	1	O-Ring	14	125-7191	1	Clamp-Hose
3	125-7041	1	Nut-Cooler, Oil	15	125-7171	1	Plug-Drain
4	135-4175	1	Stud-Lo Filter	16	135-4177	1	Dipstick
5	125-6990	1	Joint	17	125-6954	1	Guide-Dipstick
6	135-4176	1	Pipe ASM-Cooler In	19	135-4178	1	O-Ring
7	125-7162	1	Clip	20	135-4179	1	Pipe ASM-Oil Inlet
9	125-7191	1	Clamp-Hose	21	135-4147	1	Bolt
10	125-7079	1	Pipe ASM	22	136-8257	1	Bolt
11	125-7162	1	Clip	23	135-4181	1	Filter Engine Oil

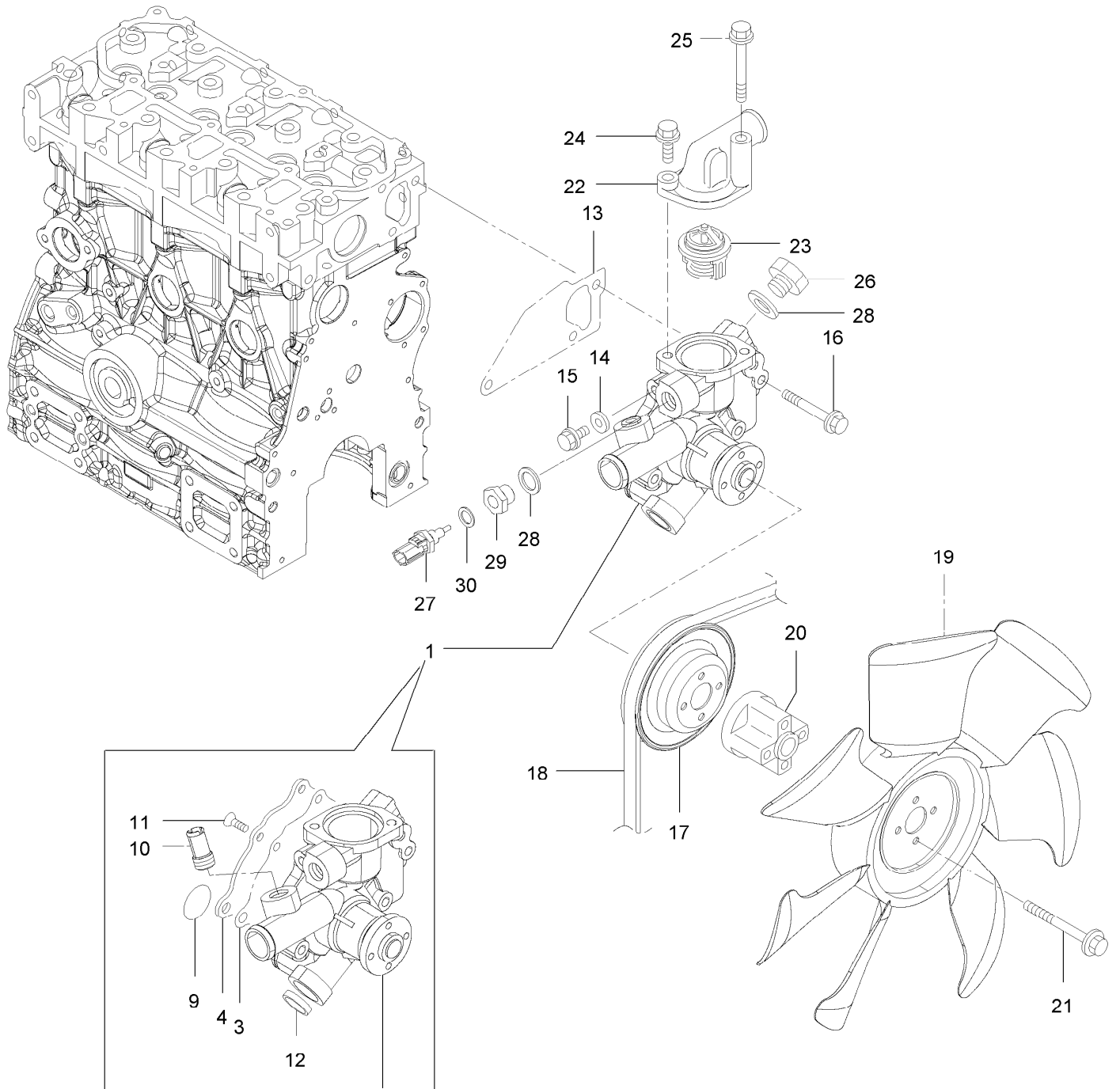
Oil Pump Assembly (cont.)



Oil Pump Assembly (cont.) (continued)

<i>Ref.</i>	<i>Part Number</i>	<i>Qty.</i>	<i>Description</i>	<i>Ref.</i>	<i>Part Number</i>	<i>Qty.</i>	<i>Description</i>
1	125-6918	1	Switch-Oil	12	125-7174	1	Washer-Seal
2	135-4182	1	Pipe-Oil	13	125-7193	2	Gasket
3	125-6988	2	Joint Bolt ASM	14	125-7212	1	Bolt
4	125-7174	2	Washer-Seal	15	135-4184	1	Pipe-Lo Return
5	125-7194	2	Bolt-Joint	16	127-2992	1	Joint
6	125-7174	2	Washer-Seal	17	127-3003	1	Elbow
7	125-6952	1	Bolt-Joint, Pipe	18	127-3169	2	Clamp-Hose
8	135-4183	1	Pipe ASM-Lo	19	125-7198	1	O-Ring
9	125-6988	1	Joint Bolt ASM	20	125-7208	2	Bolt
10	125-7174	1	Washer-Seal	21	135-4185	3	Valve ASM-Check
11	125-7194	1	Bolt-Joint	27	135-4186	3	Nozzle ASM-Piston

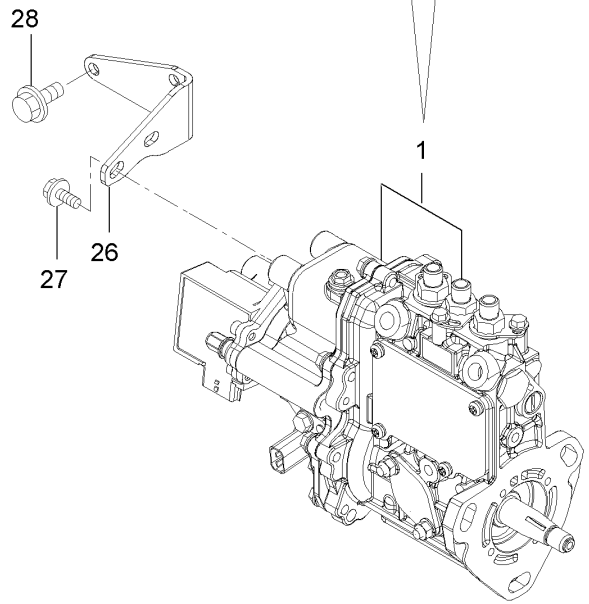
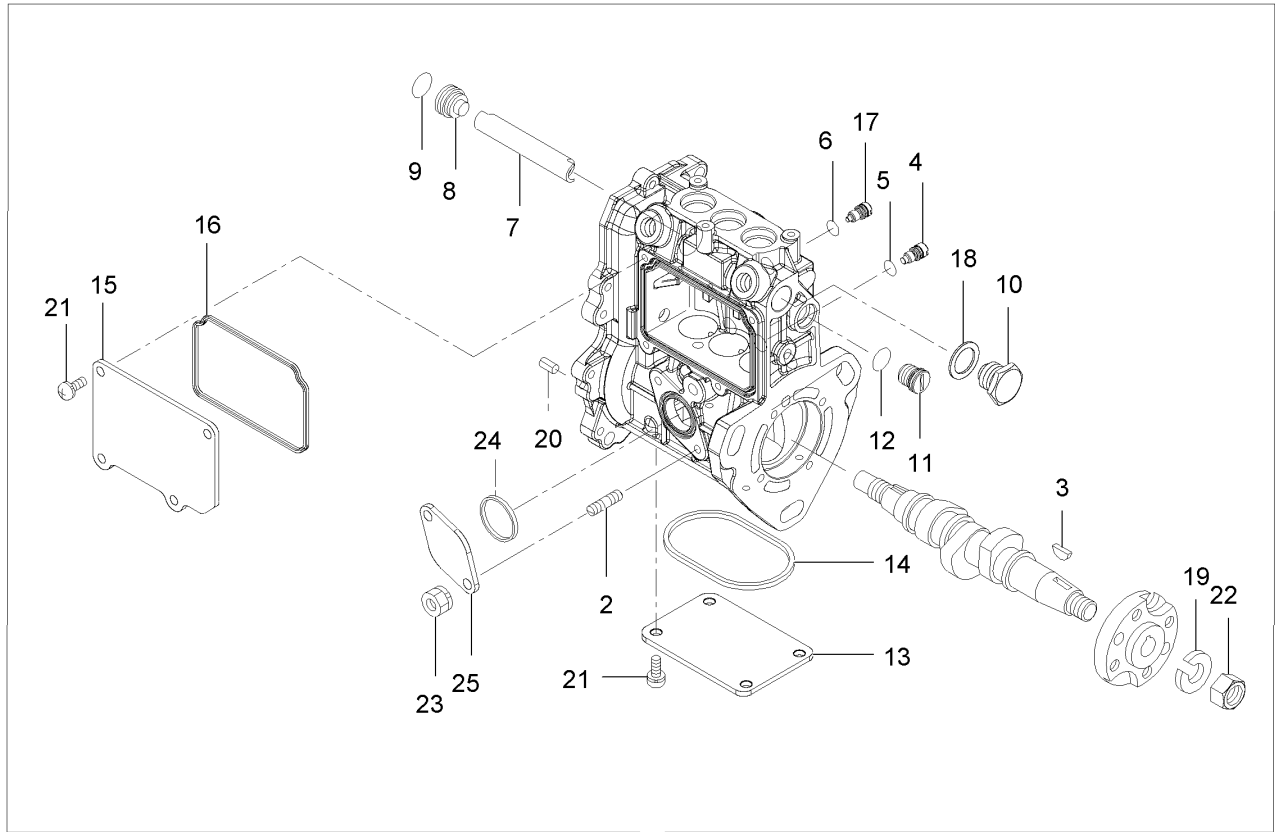
Cooling Water System Assembly



Cooling Water System Assembly (continued)

<i>Ref.</i>	<i>Part Number</i>	<i>Qty.</i>	<i>Description</i>	<i>Ref.</i>	<i>Part Number</i>	<i>Qty.</i>	<i>Description</i>
1	135-4187	1	Pump ASM-Water	19	135-4196	1	Fan-Cooling 1
3	135-4188	1	Gasket	20	135-4197	1	Spacer-Fan
4	135-4189	1	Cover	21	135-4059	4	Bolt
9	135-4190	1	O-Ring	22	135-4199	1	Cover-Thermostat
10	135-4191	1	Joint-Pipe	23	135-4200	1	Thermostat
11	133-2504	4	Screw	24	135-4201	1	Bolt
12	135-4192	1	Plug	25	135-4202	1	Bolt
13	135-4193	1	Gasket-Water Pump	26	125-6953	1	Plug
14	125-7192	1	Gasket	27	125-7124	1	Sensor-Thermostat, CW
15	125-7212	1	Bolt	28	125-6979	2	Gasket
16	125-7220	3	Bolt	29	135-4203	1	Joint
17	135-4194	1	V-Pulley	30	125-7176	1	Washer-Seal
18	135-4195	1	V-Belt				

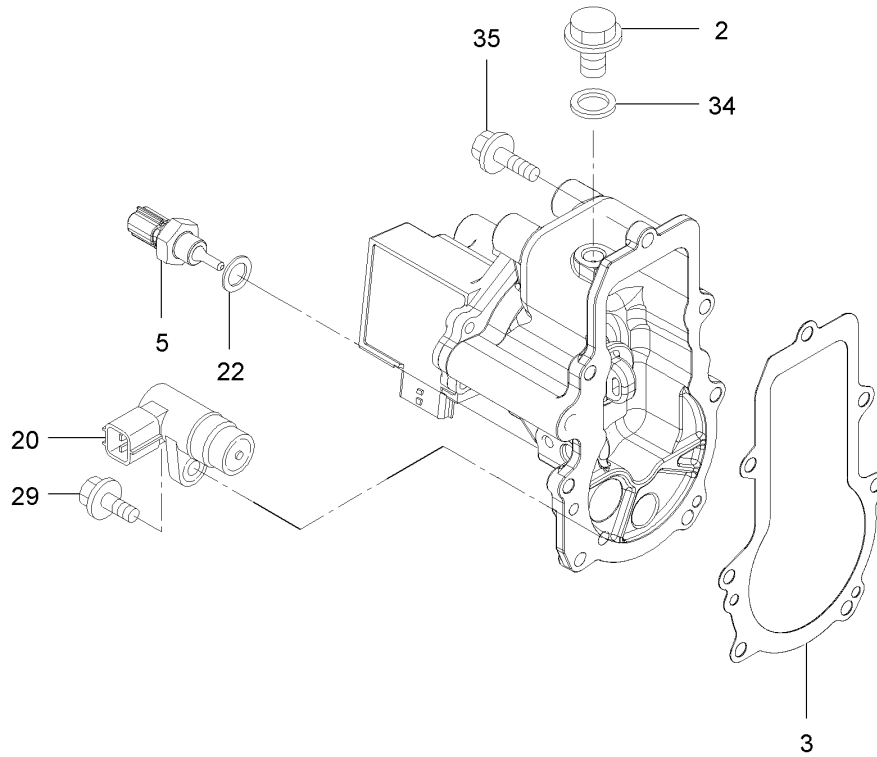
Fuel Injection Pump Assembly



Fuel Injection Pump Assembly (continued)

<i>Ref.</i>	<i>Part Number</i>	<i>Qty.</i>	<i>Description</i>	<i>Ref.</i>	<i>Part Number</i>	<i>Qty.</i>	<i>Description</i>
1	135-4204	1	Fie ASM	15	135-4217	1	Cover
2	135-4205	2	Bolt-Stud	16	135-4218	1	Gasket
3	135-4206	1	Feather Key-Woodruff	17	135-4219	1	Stopper-Rack
4	125-7156	3	Stopper	18	136-8236	1	Washer-Seal
5	135-4207	3	O-Ring	19	135-4220	1	Washer-Spring
6	135-4207	1	O-Ring	20	125-7183	2	Pin-Spring
7	135-4209	1	Deflector	21	135-4221	8	Screw
8	135-4210	1	Plug-Deflector	22	133-2506	1	Nut
9	135-4211	1	O-Ring	23	135-4222	2	Nut
10	135-4212	1	Plug-Deflector	24	135-4223	1	Gasket
11	135-4213	1	Plug-Rack	25	135-4224	1	Cover-Pump
12	135-4214	1	O-Ring	26	135-4225	1	Support
13	135-4215	1	Cover	27	125-7213	2	Bolt
14	135-4216	1	Gasket	28	125-7595	2	Bolt

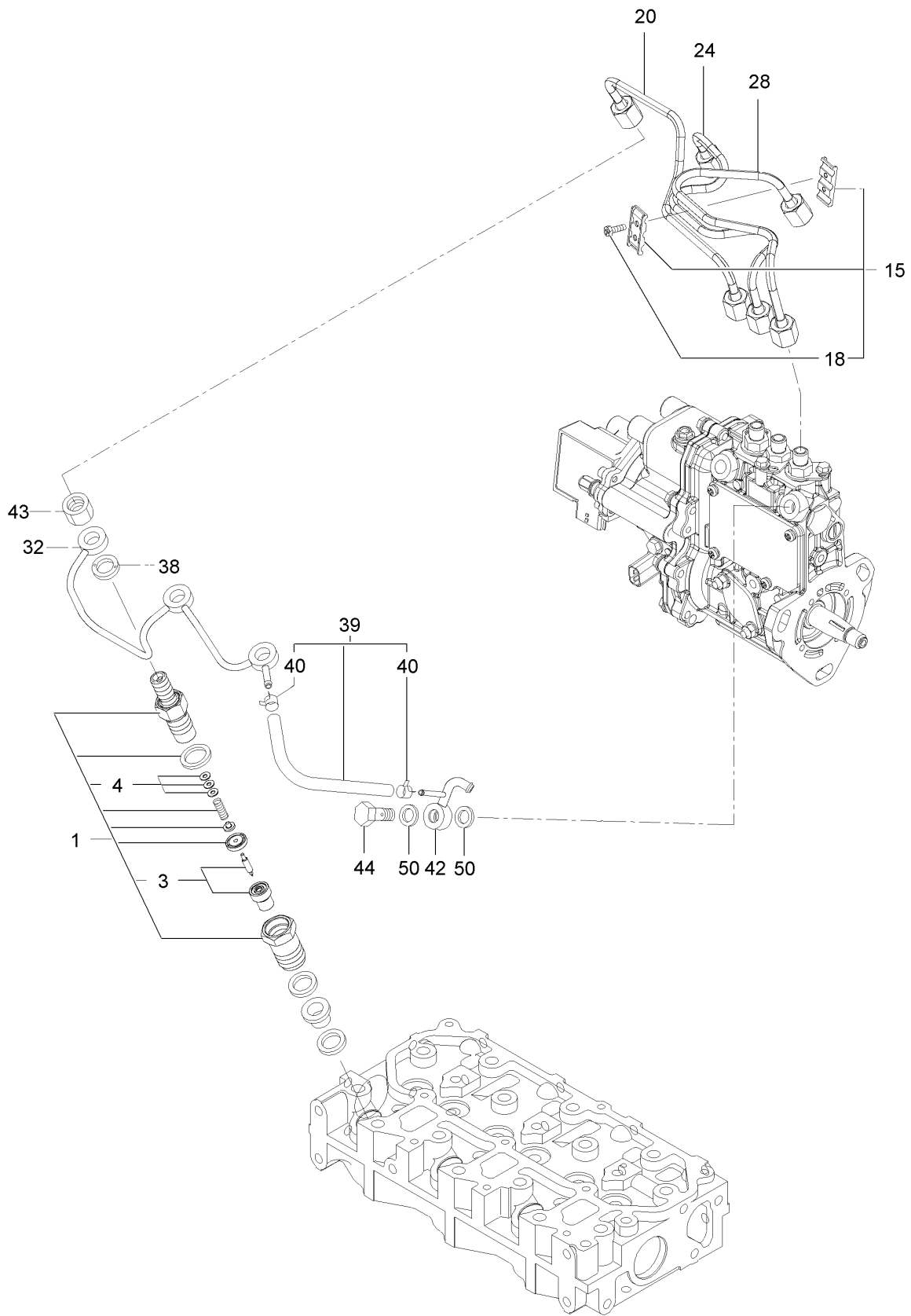
Governor Assembly



Governor Assembly (continued)

<i>Ref.</i>	<i>Part Number</i>	<i>Qty.</i>	<i>Description</i>	<i>Ref.</i>	<i>Part Number</i>	<i>Qty.</i>	<i>Description</i>
2	135-4226	1	Plug	22	125-7176	1	Washer-Seal
3	135-4227	1	Gasket	29	125-7208	1	Bolt
5	135-4228	1	Sensor-Oil Temp	34	125-7175	1	Washer-Seal
20	125-7152	1	Sensor	35	125-7209	7	Bolt

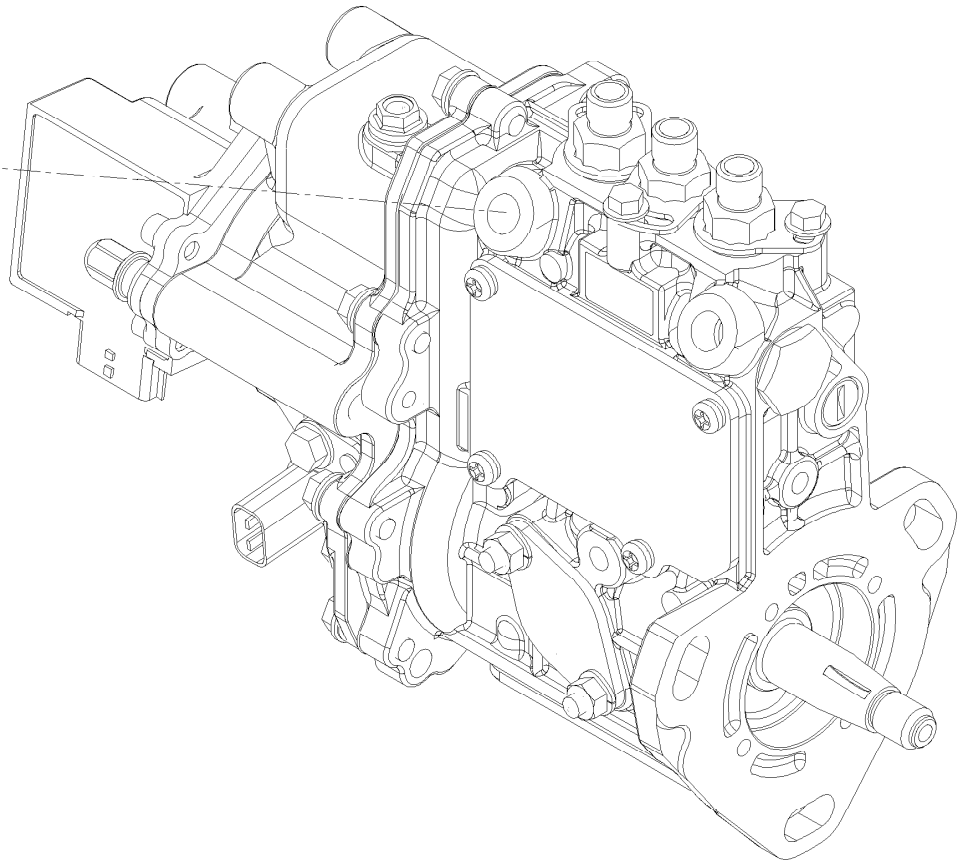
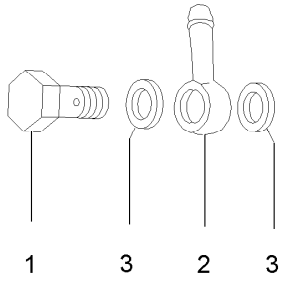
Fuel Injection Valve Assembly



Fuel Injection Valve Assembly (continued)

<i>Ref.</i>	<i>Part Number</i>	<i>Qty.</i>	<i>Description</i>	<i>Ref.</i>	<i>Part Number</i>	<i>Qty.</i>	<i>Description</i>
1	135-4229	3	Nozzle ASM	32	135-4236	1	Pipe ASM
3	135-4230	3	Nozzle ASM	38	135-4237	3	Gasket
4	135-4231	3	Shim Set-Adjusting	39	135-4238	1	Hose ASM
15	135-4232	1	Retainer-Pipe	40	136-8225	2	Clamp-Hose
18	125-7027	2	Bolt	42	135-4239	1	Joint-Over Flow
20	135-4233	1	Pipe ASM	43	135-4240	3	Nut-Nozzle
24	135-4234	1	Pipe ASM	44	135-4241	1	Valve ASM-Check
28	135-4235	1	Pipe ASM	50	125-7176	2	Washer-Seal

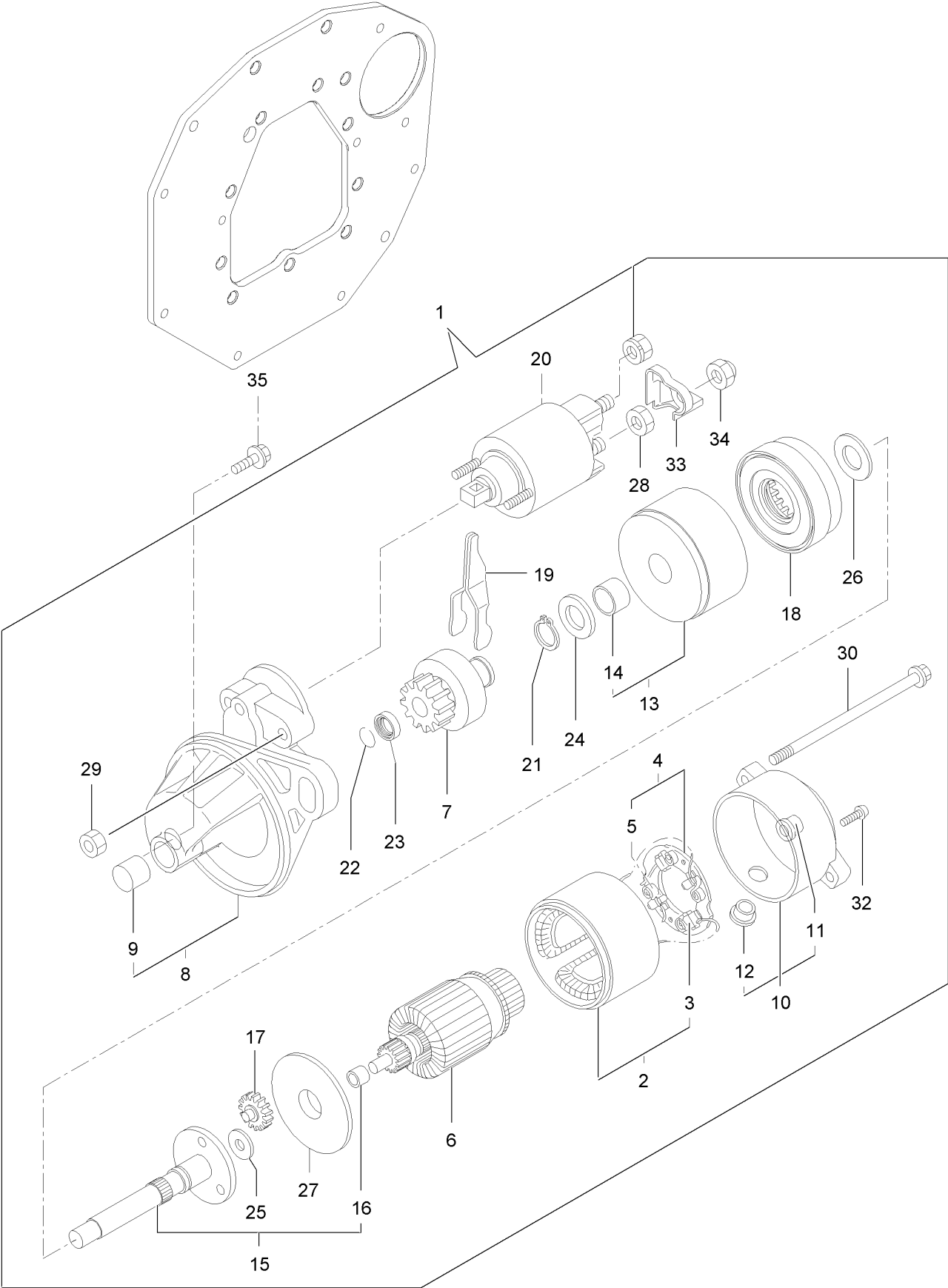
Fuel Pipe Assembly



Fuel Pipe Assembly (continued)

<i>Ref.</i>	<i>Part Number</i>	<i>Qty.</i>	<i>Description</i>
1	135-4242	1	Bolt-Pipe Joint
2	135-4243	1	Joint-Pipe
3	125-7176	2	Washer-Seal

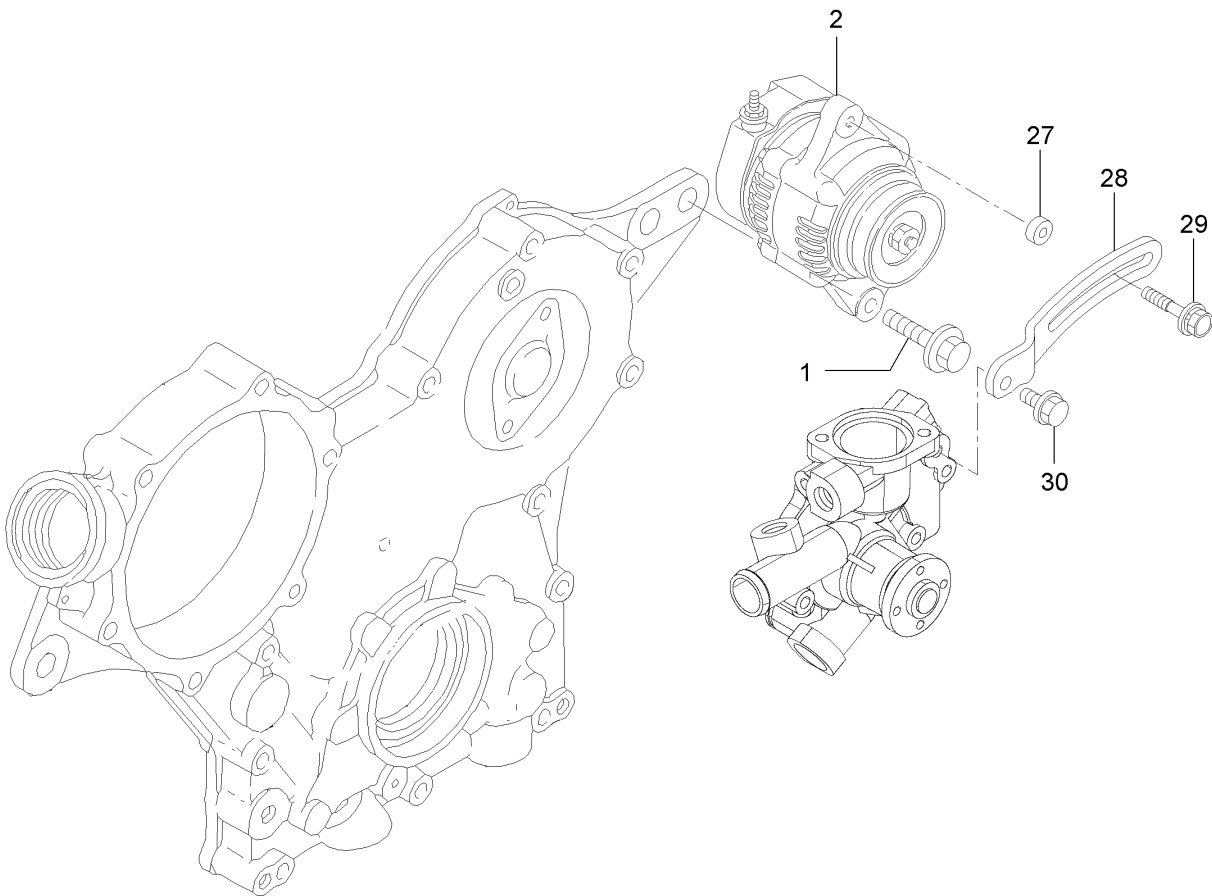
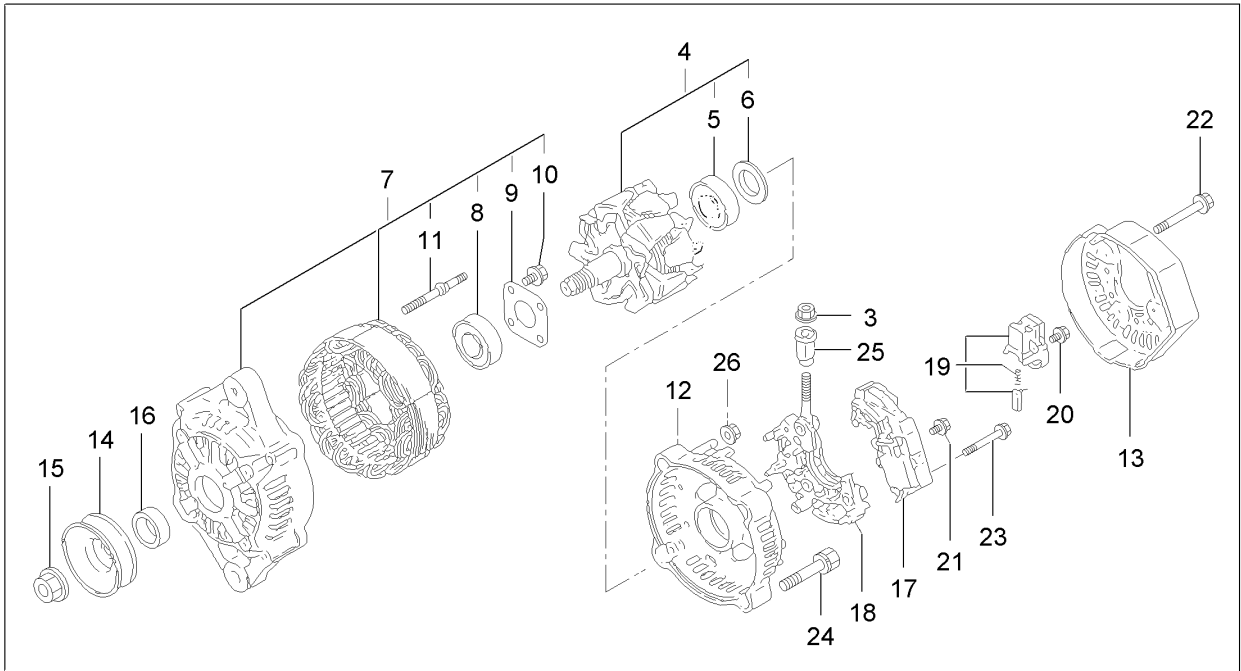
Starting Motor Assembly



Starting Motor Assembly (continued)

<i>Ref.</i>	<i>Part Number</i>	<i>Qty.</i>	<i>Description</i>	<i>Ref.</i>	<i>Part Number</i>	<i>Qty.</i>	<i>Description</i>
1	135-4244	1	Starter ASM	18	135-4261	1	Gear
2	135-4245	1	Yoke ASM	19	135-4262	1	Lever
3	135-4246	2	Starter Kit	20	135-4263	1	Switch ASM
4	135-4247	1	Holder ASM	21	135-4264	1	Ring
5	135-4248	4	Spring	22	135-4265	1	Ring
6	135-4249	1	Armature ASM	23	135-4266	1	Nut
7	135-4250	1	Clutch ASM	24	135-4267	1	Washer
8	135-4251	1	Housing ASM	25	135-4268	1	Washer
9	135-4252	1	Bearing, Needle 1	26	135-4269	1	Washer
10	135-4253	1	Frame ASM	27	135-4270	1	Plate
11	135-4254	1	Bearing	28	135-4271	1	Nut
12	135-4255	1	Cover	29	135-4272	2	Nut
13	135-4256	1	Bearing ASM	30	135-4273	2	Bolt-Through
14	135-4257	1	Bearing	32	135-4274	2	Screw
15	135-4258	1	Shaft Assy 1	33	135-4275	1	Cover-Terminal
16	135-4259	1	Bearing	34	135-4276	1	Nut
17	135-4260	3	Gear	35	127-3179	2	Bolt

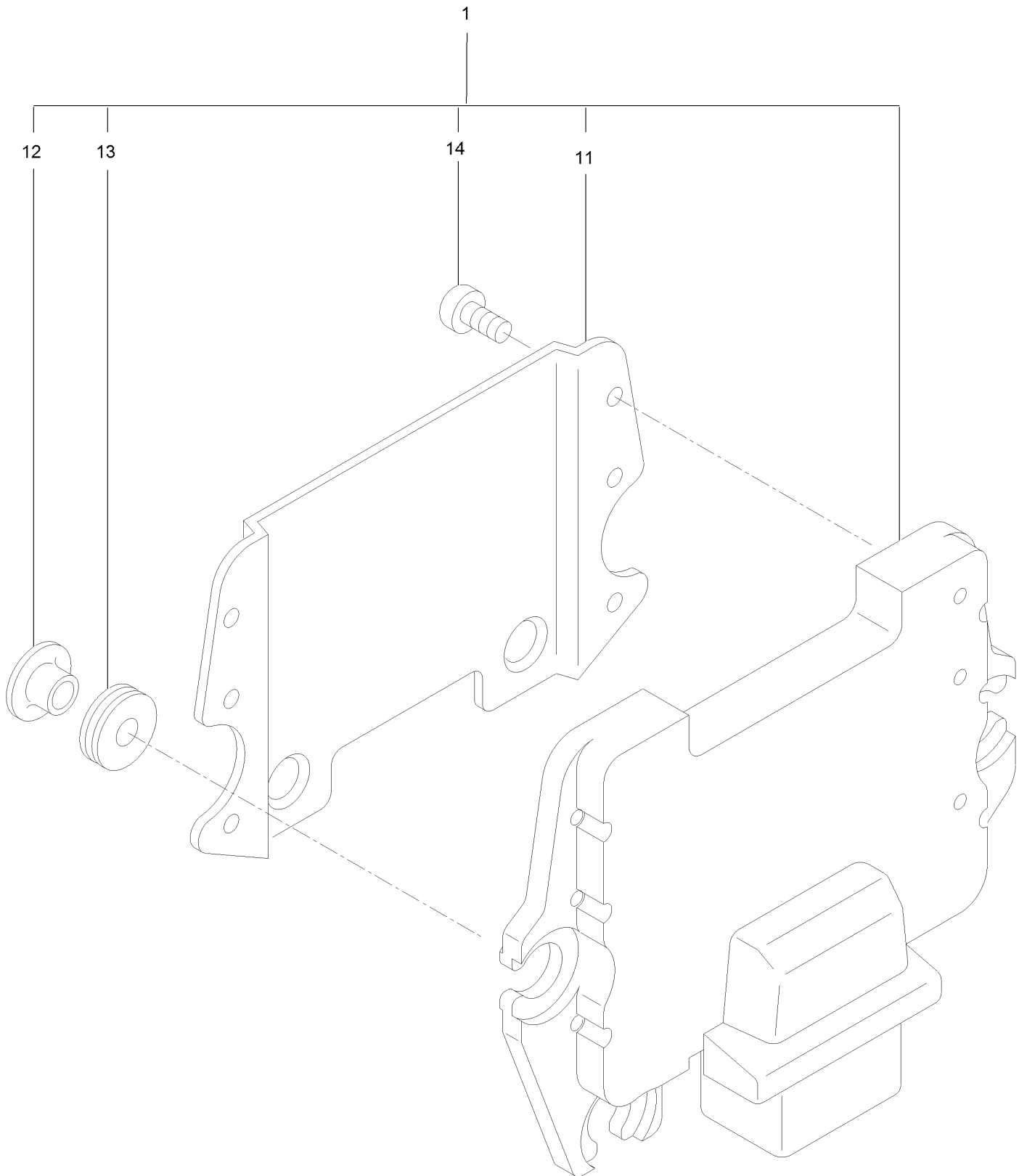
Generator Assembly



Generator Assembly (continued)

<i>Ref.</i>	<i>Part Number</i>	<i>Qty.</i>	<i>Description</i>	<i>Ref.</i>	<i>Part Number</i>	<i>Qty.</i>	<i>Description</i>
1	135-4277	1	Bolt	16	127-2957	1	Collar
2	135-4278	1	Alternator	17	135-4026	1	Regulator ASM
3	127-3190	1	Nut	18	127-3848	1	Holder
4	127-3843	1	Rotor ASM	19	127-2993	1	Holder
5	127-2983	1	Bearing-Ball	20	127-2965	6	Screw
6	127-2962	1	Cover	21	127-2966	1	Screw
7	135-4025	1	Frame ASM	22	127-2967	3	Bolt
8	127-2958	1	Bearing-Ball	23	127-2968	2	Screw
9	127-2959	1	Plate-Retainer	24	127-2969	2	Bolt
10	127-2960	4	Screw	25	127-2970	1	Bushing-Insulation
11	127-2961	2	Stud	26	127-2971	2	Nut
12	127-3845	1	Frame	27	125-6947	1	Spacer
13	127-3846	1	Cover	28	135-4279	1	Adjuster-Belt
14	127-2954	1	Pulley	29	125-7134	1	Bolt
15	127-2955	1	Nut	30	125-7595	1	Bolt

Electronic Control Unit Assembly



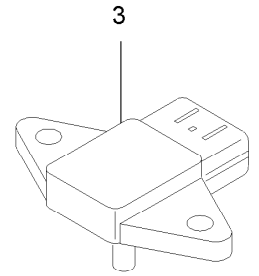
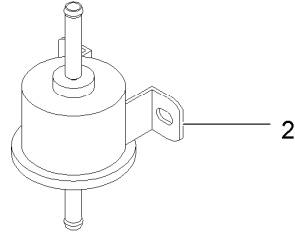
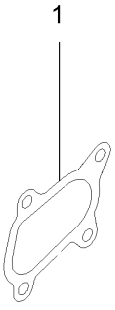
Electronic Control Unit Assembly (continued)

<i>Ref.</i>	<i>Part Number</i>	<i>Qty.</i>	<i>Description</i>
1	135-4280	1	Ecu ASM ●
11	125-7129	1	Shield
12	125-7130	3	Collar

<i>Ref.</i>	<i>Part Number</i>	<i>Qty.</i>	<i>Description</i>
13	125-6908	3	Absorber
14	125-7187	6	Screw

● Contact an Authorized Service Dealer

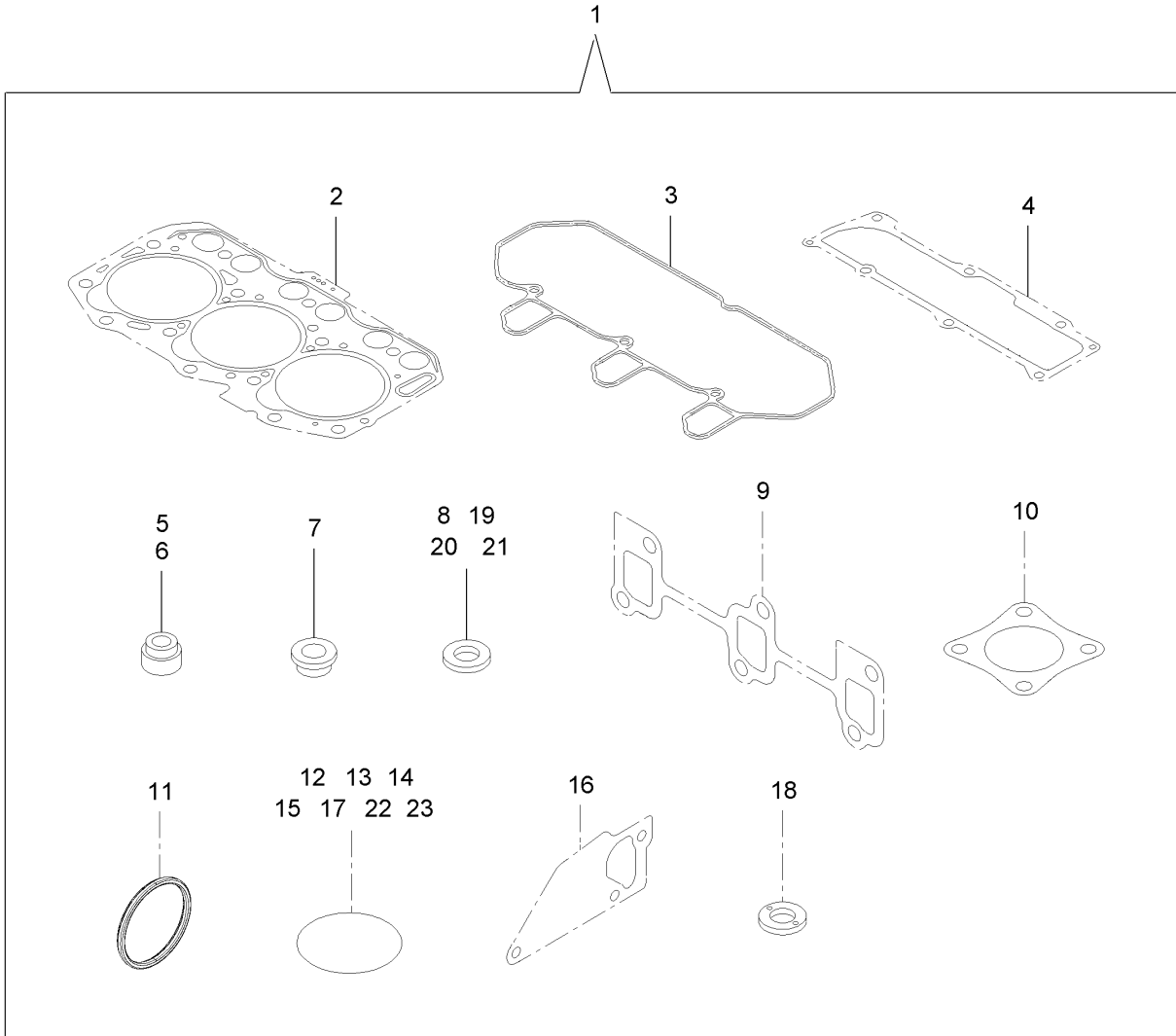
Fuel System Assembly



Fuel System Assembly (continued)

<i>Ref.</i>	<i>Part Number</i>	<i>Qty.</i>	<i>Description</i>
1	127-3779	1	Gasket-Out, T C
2	121-5613	1	Pump-Fuel, Electric
3	135-4282	1	Sensor

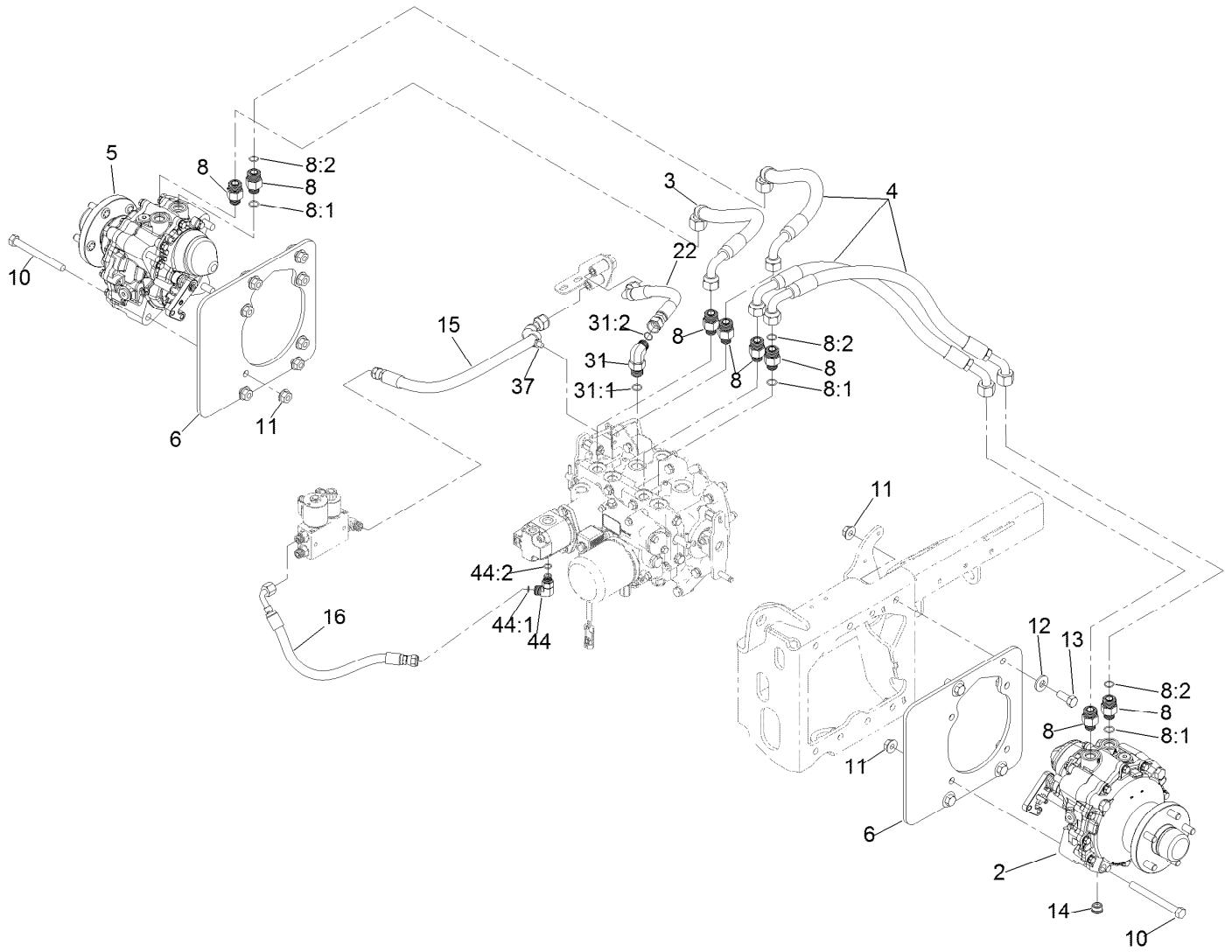
Gasket Set



Gasket Set (continued)

<i>Ref.</i>	<i>Part Number</i>	<i>Qty.</i>	<i>Description</i>	<i>Ref.</i>	<i>Part Number</i>	<i>Qty.</i>	<i>Description</i>
1	135-4283	1	Gasket Kit	13	127-2973	1	O-Ring
2	135-4038	1	Gasket Set-Head	14	135-4058	3	O-Ring
3	135-4093	1	Gasket-Bonnet	15	135-4293	1	O-Ring
4	135-4095	1	Gasket	16	135-4193	1	Gasket-Water Pump
5	125-6915	3	Seal-Stem, Valve	17	125-6957	1	O-Ring
6	125-6916	3	Seal-Stem, Valve	18	135-4237	3	Gasket
7	135-4069	3	Protector-Nozzle	19	125-7174	4	Washer-Seal
8	135-4070	6	Gasket-Nozzle	20	125-7176	4	Washer-Seal
9	135-4107	1	Gasket-Exh Manifold	21	125-7192	1	Gasket
10	135-4290	1	Gasket-Silencer	22	125-7197	2	O-Ring
11	135-4160	1	Gasket-Washer	23	135-4295	1	O-Ring
12	125-6909	1	O-Ring				

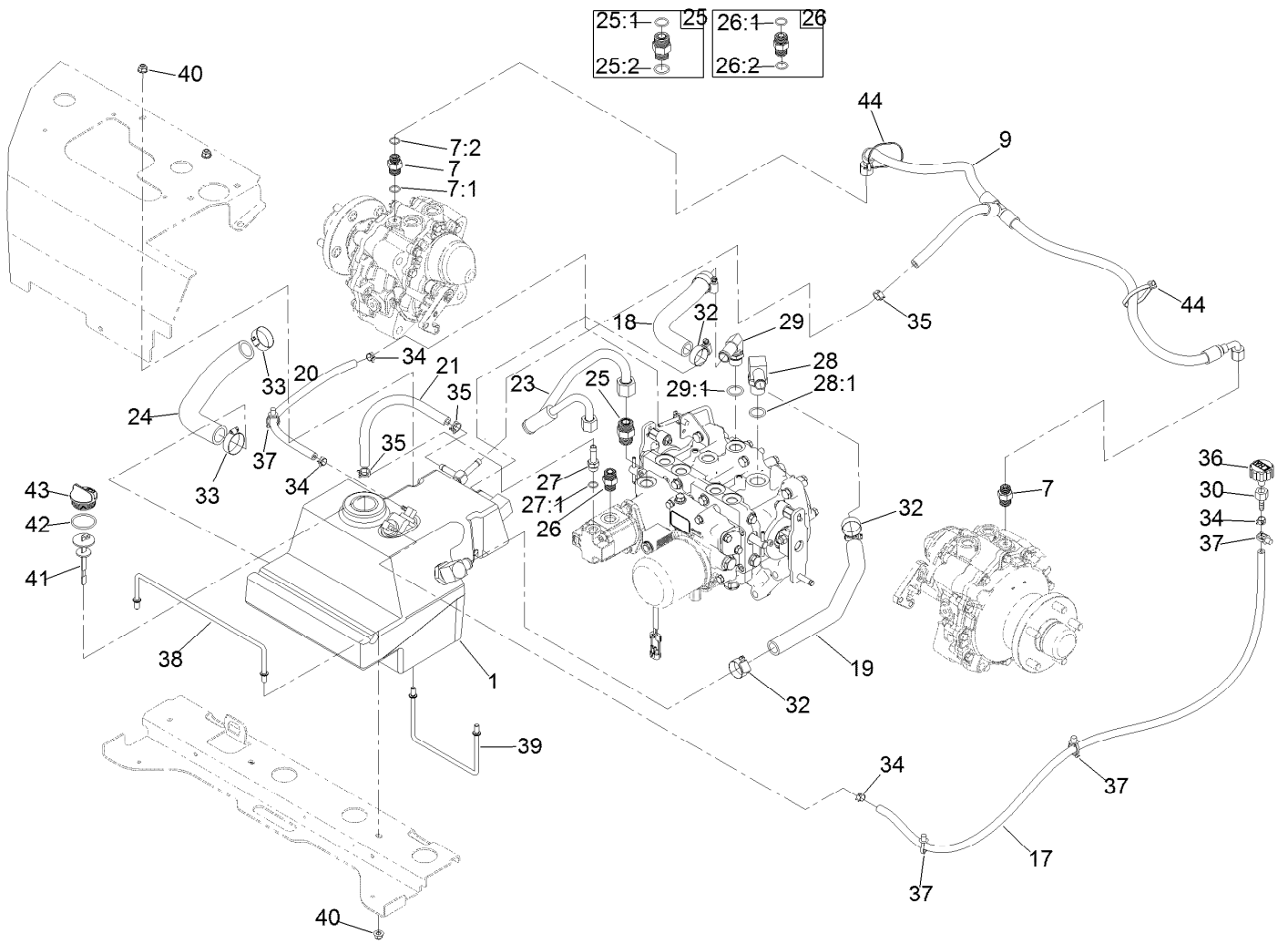
Hydraulic Drive Assembly



Hydraulic Drive Assembly (continued)

<i>Ref.</i>	<i>Part Number</i>	<i>Qty.</i>	<i>Description</i>	<i>Ref.</i>	<i>Part Number</i>	<i>Qty.</i>	<i>Description</i>
2	126-8134	1	Motor-HYD, LH	14	126-8282	2	Plug-Magnetic
3	126-8686	1	Hose ASM	15	126-8685	1	Hose ASM
4	126-8687	3	Hose ASM	16	126-8684	1	Hose ASM
5	126-8133	1	Motor-HYD, RH	22	126-8682	1	Hose ASM
6	126-7469-03	2	Plate-Motor	31	340-105	1	Fitting-Elbow, 90 DEG
8	340-155	8	Fitting-Straight	31:1	237-80	1	O-Ring
8:1	237-79	1	O-Ring	31:2	237-30	1	O-Ring
8:2	237-151	1	O-Ring	37	32180-030	1	Clip-Tie
10	325-19	8	Screw-HH 1/2-13 X 5	44	340-77	1	Fitting-Elbow, 90 DEG
11	32128-49	16	Nut-Whizlock 1/2-13	44:1	237-22	1	O-Ring
12	1-513435	8	Washer-Spring Disc 1/2	44:2	237-42	1	O-Ring
13	325-5	8	Screw-HH 1/2-13 X 1 1/4				

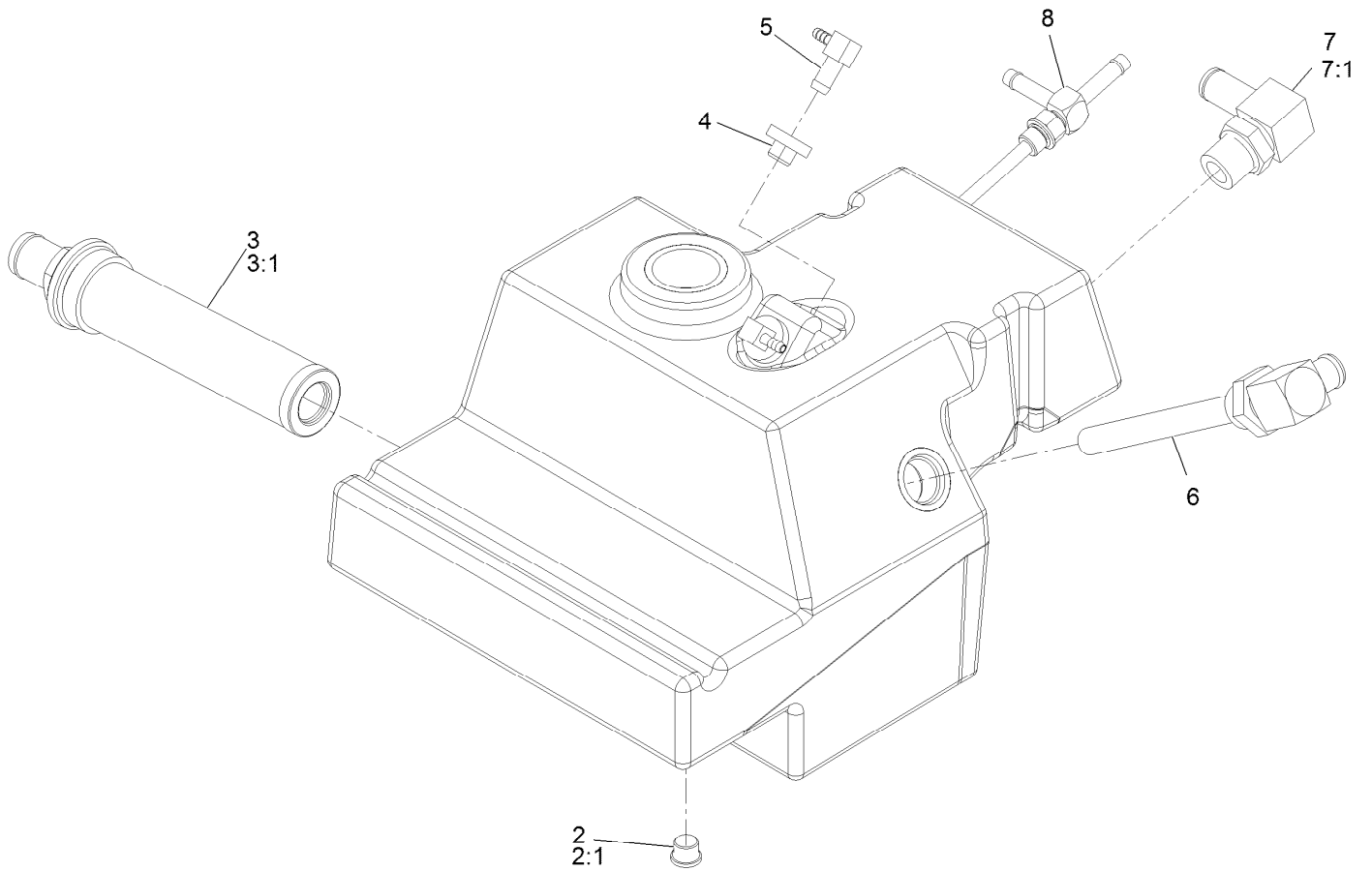
Hydraulic Assembly



Hydraulic Assembly (continued)

<i>Ref.</i>	<i>Part Number</i>	<i>Qty.</i>	<i>Description</i>	<i>Ref.</i>	<i>Part Number</i>	<i>Qty.</i>	<i>Description</i>
1	126-6764	1	HYD Reservoir ASM	27:1	237-42	1	O-Ring
7	340-3	2	Fitting-Straight	28	353-987	1	Fitting-Elbow, 90
7:1	237-22	1	O-Ring	28:1	237-81	1	O-Ring
7:2	237-79	1	O-Ring	29	87-8170	1	Fitting-90
9	135-3731	1	Tee Hose ASM	29:1	237-80	1	O-Ring
17	126-6776	1	Hose	30	354-95	1	Fitting-Straight
18	126-6767	1	Hose-Return	32	2412-129	4	Clamp-Hose
19	126-6768	1	Hose-Return	33	2412-34	2	Clamp-Hose
20	126-6778	1	Hose	34	2412-98	4	Clamp-Hose
21	126-6766	1	Hose	35	103-1988	3	Clamp-Hose 11/16
23	126-8688	1	Tube ASM	36	68-6150	1	Breather
24	126-6774	1	Hose-Suction	37	32180-030	4	Clip-Tie
25	340-7	1	Fitting-Straight	38	126-7547	1	Rod-Support, HYD Tank
25:1	237-65	1	O-Ring	39	126-7546	1	Rod-Support, HYD Tank
25:2	237-80	1	O-Ring	40	104-8300	4	Nut-Nyloc 5/16-18 Flg
26	340-4	1	Fitting-STR	41	112-6365	1	Dipstick
26:1	237-30	1	O-Ring	42	94-8166	1	O-Ring
26:2	237-79	1	O-Ring	43	93-7498	1	Plug-Plastic
27	103-1912	1	Adapter-Straight	44	1-303335	2	Tie-Cable 7 15/16 (Large)

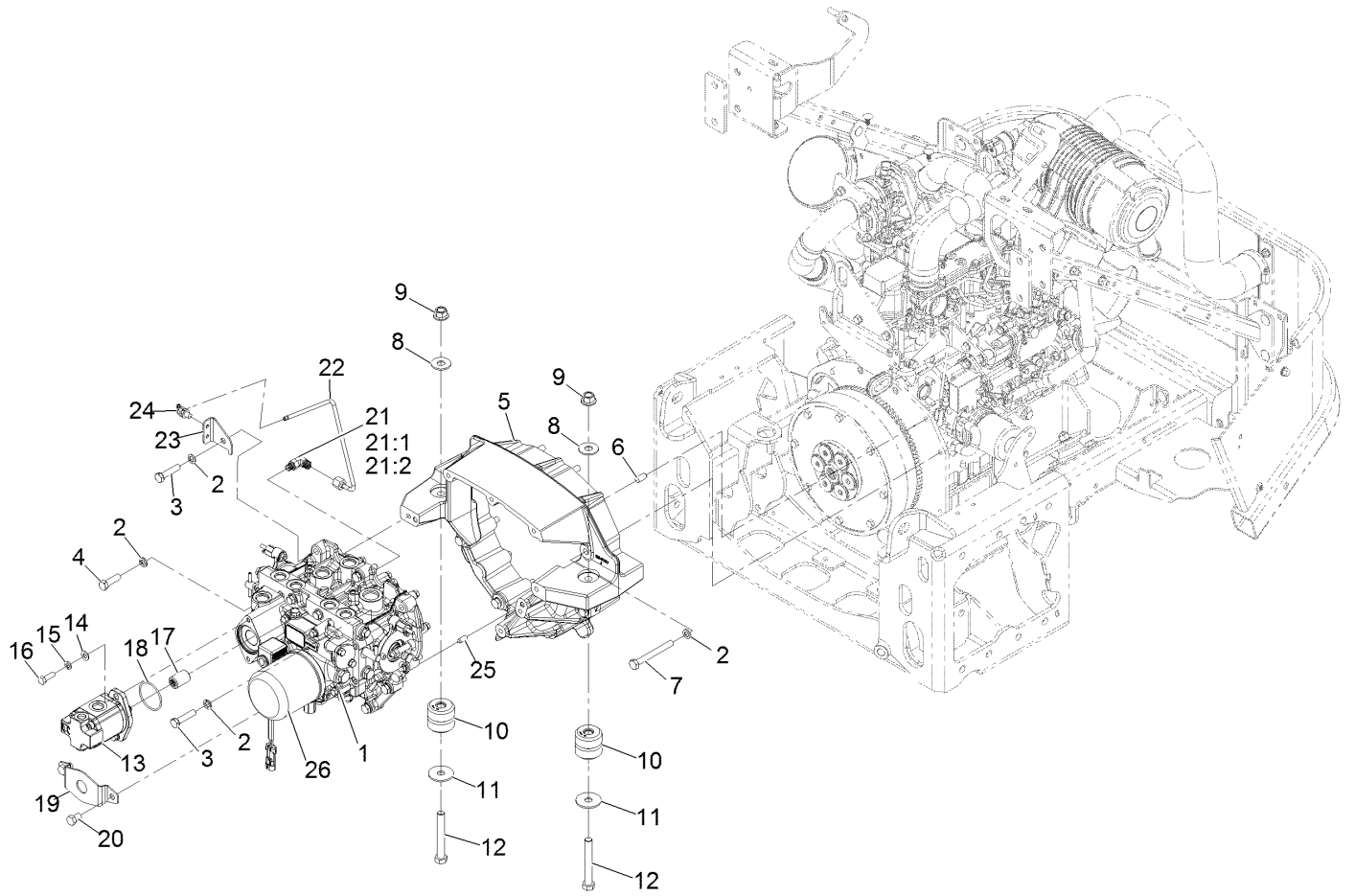
Hydraulic Reservoir Assembly



Hydraulic Reservoir Assembly (continued)

<i>Ref.</i>	<i>Part Number</i>	<i>Qty.</i>	<i>Description</i>	<i>Ref.</i>	<i>Part Number</i>	<i>Qty.</i>	<i>Description</i>
2	353-989	1	Plug-Hex, Hollow	5	104-5228	2	Fitting-Elbow, 90 DEG
2:1	237-42	1	O-Ring	6	126-6782	1	Fitting-Standpipe
3	104-7546	1	Tank Strainer ASM	7	353-987	1	Fitting-Elbow, 90
3:1	340-136	1	O-Ring	7:1	237-81	1	O-Ring
4	46-6560	2	Bushing	8	135-3740	1	Fitting-Tee, Drop Tube

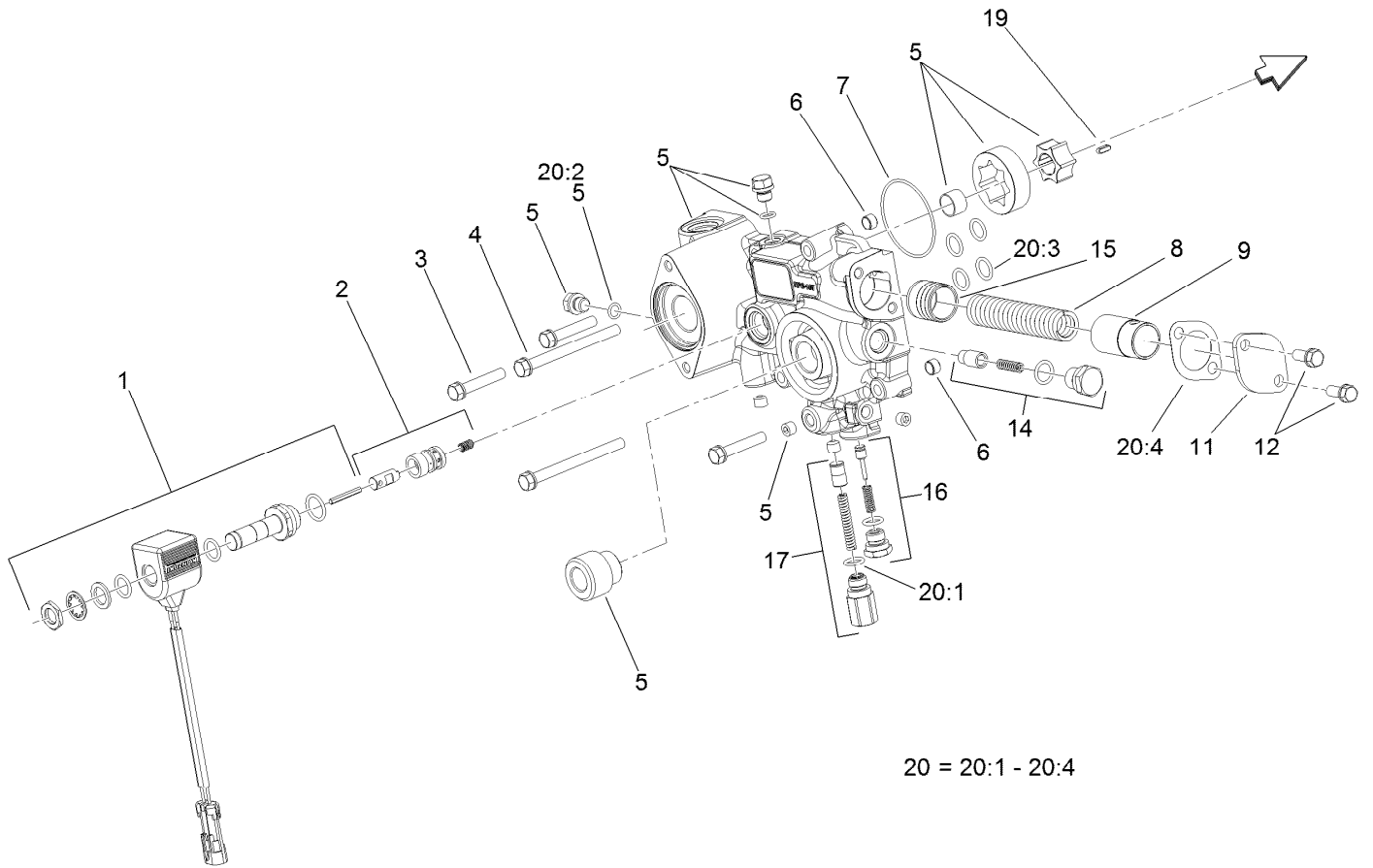
Transmission Assembly



Transmission Assembly (continued)

<i>Ref.</i>	<i>Part Number</i>	<i>Qty.</i>	<i>Description</i>	<i>Ref.</i>	<i>Part Number</i>	<i>Qty.</i>	<i>Description</i>
1	131-5510	1	Transmisson ASM	15	3253-4	2	Washer-Lock 5/16
2	48-9590	14	Washer-Lock	16	33114-025	2	Screw-HH M8-1.25 X 25Mm
3	33115-045	6	Screw-HH	17	108-9920	1	Coupler-Spline
4	33115-035	1	Screw-HH M10-1.5 X 25Mm	18	108-9919	1	O-Ring
5	126-8786	1	Housing-Flywheel	19	114-4088	1	Shield-Seal
6	126-8893	2	Pin-Dowel	20	33115-016	2	Screw-HH
7	33115-090	7	Screw-HH	21	340-132	1	Fitting-Elbow, 90
8	3256-6	2	Washer	21:1	237-78	1	O-Ring
9	99-5107	2	Nut-Lock 1/2-13	21:2	237-21	1	O-Ring
10	126-6095	2	Mount-Isolator	22	126-8689	1	Tube ASM
11	86-1990	2	Washer	23	126-6806	1	Support-Tube
12	325-15	2	Screw-HH	24	32180-030	1	Clip-Tie
13	112-9542	1	HYD Gear Pump ASM	25	87-1910	2	Pin-Dowel
14	3256-23	2	Washer-5/16 SAE	26	135-2252	1	Filter-Oil, HYD

Transmission Assembly (cont.) Charge Pump Housing Assembly



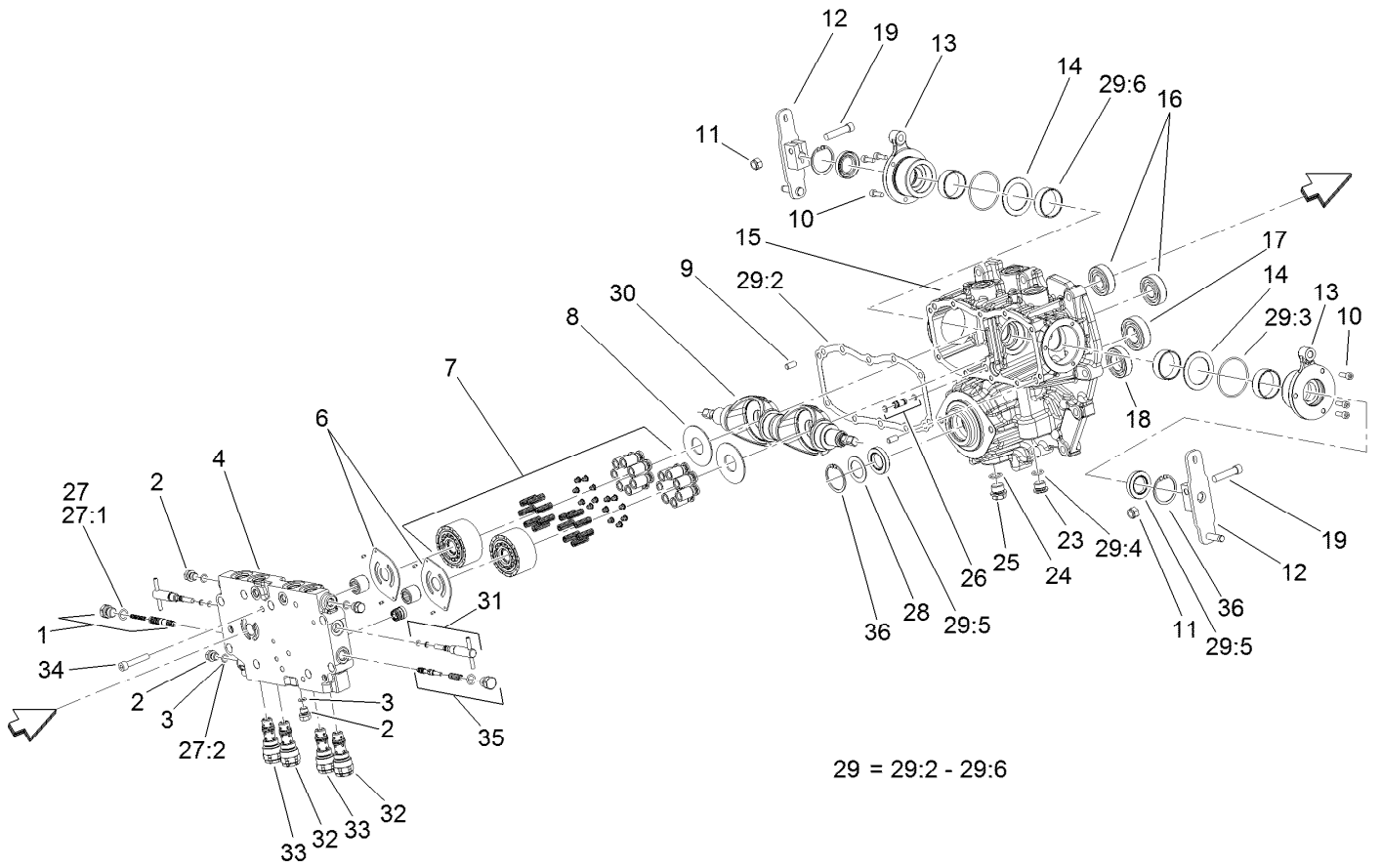
20 = 20:1 - 20:4

Transmission Assembly (cont.) Charge Pump Housing Assembly (continued)

<i>Ref.</i>	<i>Part Number</i>	<i>Qty.</i>	<i>Description</i>	<i>Ref.</i>	<i>Part Number</i>	<i>Qty.</i>	<i>Description</i>
1	107-0851	1	Solenoid ASM	14	107-0843	1	Filter Bypass Valve ASM
2	107-0850	1	Solenoid Valve ASM	15	107-0818	1	Piston
3	107-0863	3	Bolt	16	107-0842	1	Charge Relief Valve ASM
4	107-0864	2	Bolt	17	107-0841	1	Pressure Valve ASM
5	107-0840	1	Pump Body ASM	19	107-0865	1	Key
6	107-0848	2	Pin	20	107-0855	1	Charge Pump Seal Kit
7	107-0856	1	O-Ring	20:1	93-0418	2	O-Ring
8	107-0845	1	Spring	20:2	107-0817	2	O Ring-Plug
9	107-0844	1	Collar	20:3	104-3298	6	Packing
11	107-0846	1	Cover	20:4	107-0847	1	Gasket
12	93-0457	2	Bolt And Washer ASM				

Transmission Assembly (cont.)

Center Section Assembly

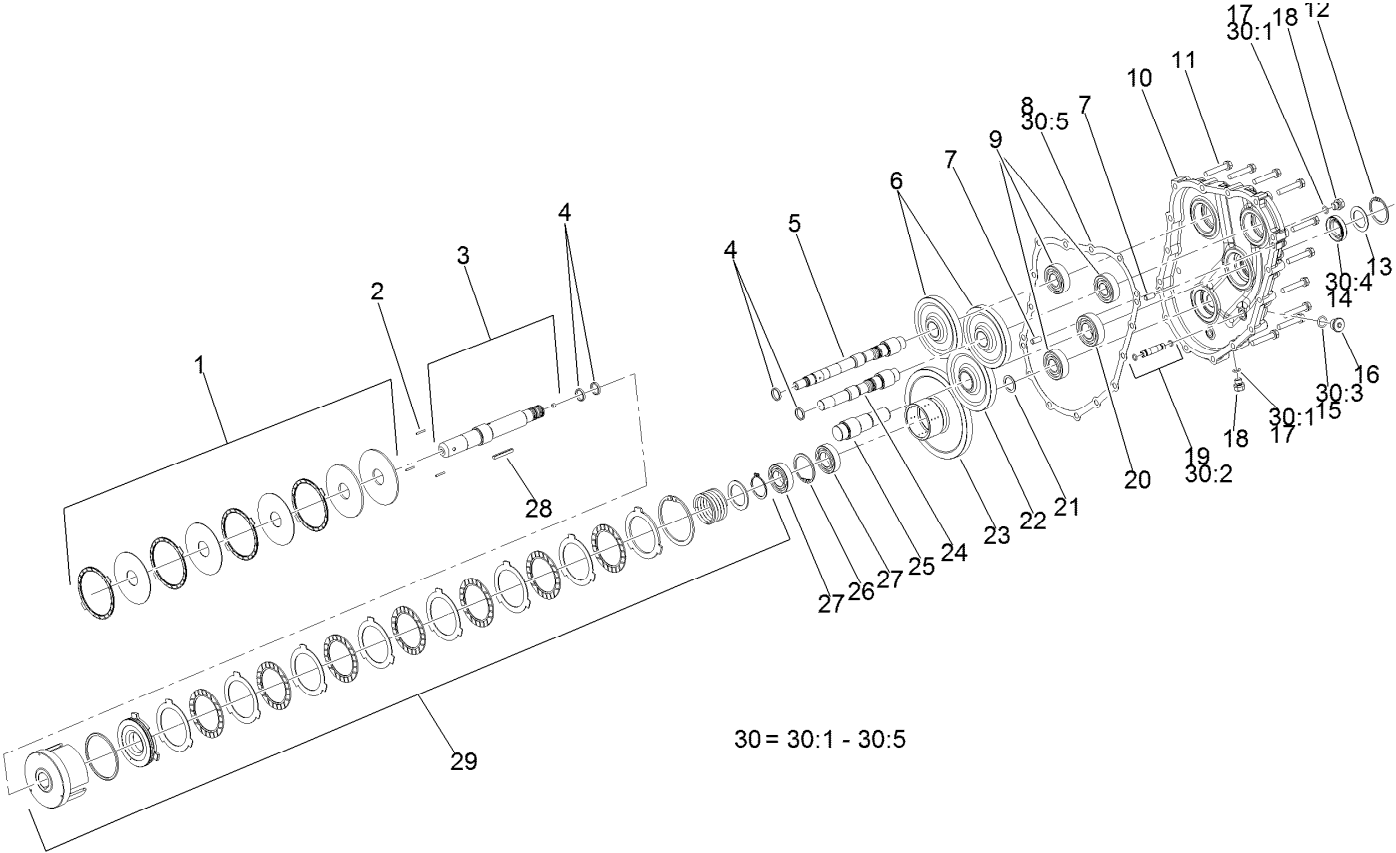


29 = 29:2 - 29:6

Transmission Assembly (cont.) Center Section Assembly (continued)

<i>Ref.</i>	<i>Part Number</i>	<i>Qty.</i>	<i>Description</i>	<i>Ref.</i>	<i>Part Number</i>	<i>Qty.</i>	<i>Description</i>
1	107-0807	1	Valve-Flushing, RH	25	107-0867	1	Plug
2	107-0857	6	Plug	26	107-0812	1	Pipe
3	107-0817	6	O Ring-Plug	27	107-0852	1	Center Case Seal Kit
4	121-3377	1	Center Case, Complete	27:1	93-0418	2	O-Ring
6	107-0805	2	Plate-Valve	27:2	107-0817	6	O Ring-Plug
7	107-0824	2	Cylinder Block ASM	28	107-0813	1	Spacer
8	107-0830	2	Plate-Thrust	29	107-0853	1	Pump Housing Seal Kit
9	92-0765	4	Pin-Parallel	29:2	107-0810	1	Gasket-Case, Center
10	107-0859	6	Bolt	29:3	107-0817	2	O Ring-Plug
11	120-6681	2	U-Nut	29:4	104-3298	1	Packing
12	120-6680	2	Arm-Control	29:5	107-0814	3	Seal
13	107-0832	2	Side Cover ASM	29:6	107-0825	4	Ring-Seal
14	107-0829	2	Washer	30	120-6679	2	Plate-Swash
15	120-5151	1	Pump Housing ASM	31	107-0808	2	Valve-Bypass
16	107-0826	2	Bearing	32	107-0804	2	Valve-Rear
17	107-0821	1	Bearing	33	107-0803	2	Valve-Front
18	107-0838	1	Bearing	34	107-0863	8	Bolt
19	120-6682	2	Bolt	35	107-0806	1	Valve-Flushing, LH
23	107-0861	1	Plug-NPTF	36	92-0757	2	Ring-Snap
24	237-79	1	O-Ring				

Transmission Assembly (cont.) Gear Case and Clutch Assembly

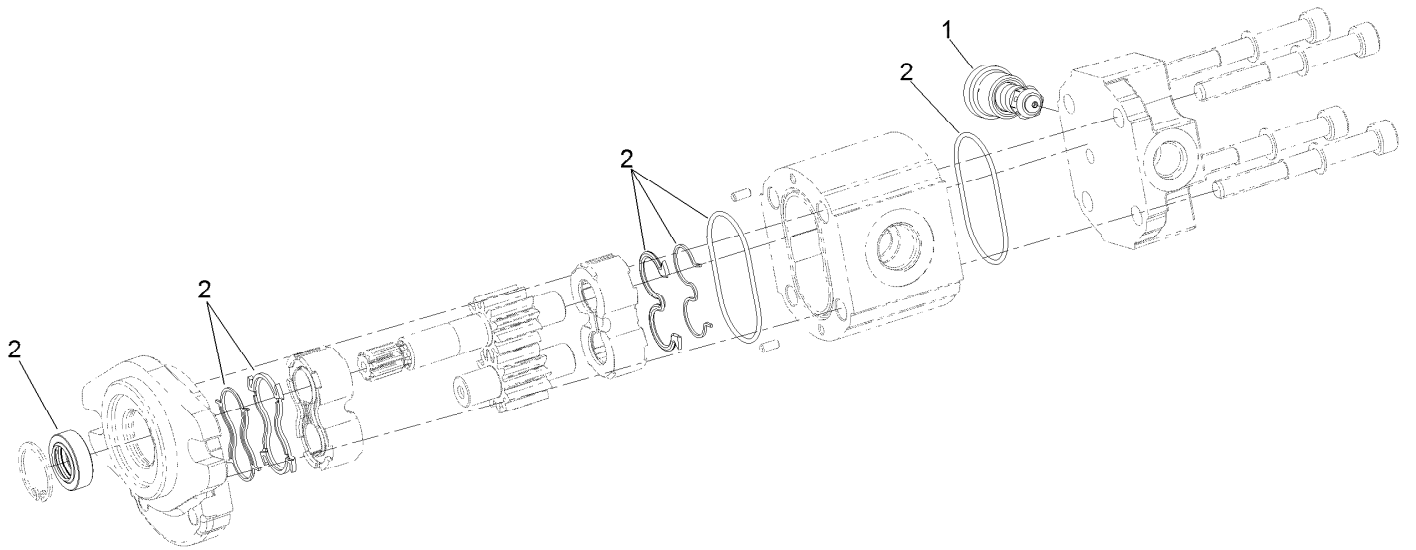


Transmission Assembly (cont.) Gear Case and Clutch Assembly (continued)

<i>Ref.</i>	<i>Part Number</i>	<i>Qty.</i>	<i>Description</i>	<i>Ref.</i>	<i>Part Number</i>	<i>Qty.</i>	<i>Description</i>
1	107-0839	1	PTO Brake ASM	19	107-0811	1	Pipe
2	107-0837	3	Rod-Push	20	107-0821	2	Bearing
3	107-0833	1	PTO Shaft ASM	21	107-0836	1	Spacer
4	107-0825	2	Ring-Seal	22	107-0820	1	Gear-Input
5	107-0827	1	Shaft-Pump	23	107-0834	1	Gear-PTO
6	107-0823	2	Gear-Pump	24	107-0822	1	Shaft-Pump
7	92-0765	4	Pin-Parallel	25	107-0819	1	Shaft-Input
8	107-0816	1	Gasket-Housing, Gear	26	92-0758	1	Ring-Snap
9	107-0826	4	Bearing	27	107-0838	3	Bearing
10	120-5152	1	Housing-Case, Gear	28	107-0866	1	Key
11	107-0863	13	Bolt	29	107-0835	1	Clutch Cylinder ASM
12	92-0757	1	Ring-Snap	30	107-0854	1	Gear Housing Seal Kit
13	107-0813	1	Spacer	30:1	107-0817	2	O Ring-Plug
14	107-0814	1	Seal	30:2		2	O-Ring ●
15	104-3298	1	Packing	30:3	104-3298	1	Packing
16	107-0861	1	Plug-NPTF	30:4	107-0814	1	Seal
17	107-0817	6	O Ring-Plug	30:5	107-0816	1	Gasket-Housing, Gear
18	107-0857	6	Plug				

● Not serviced separately

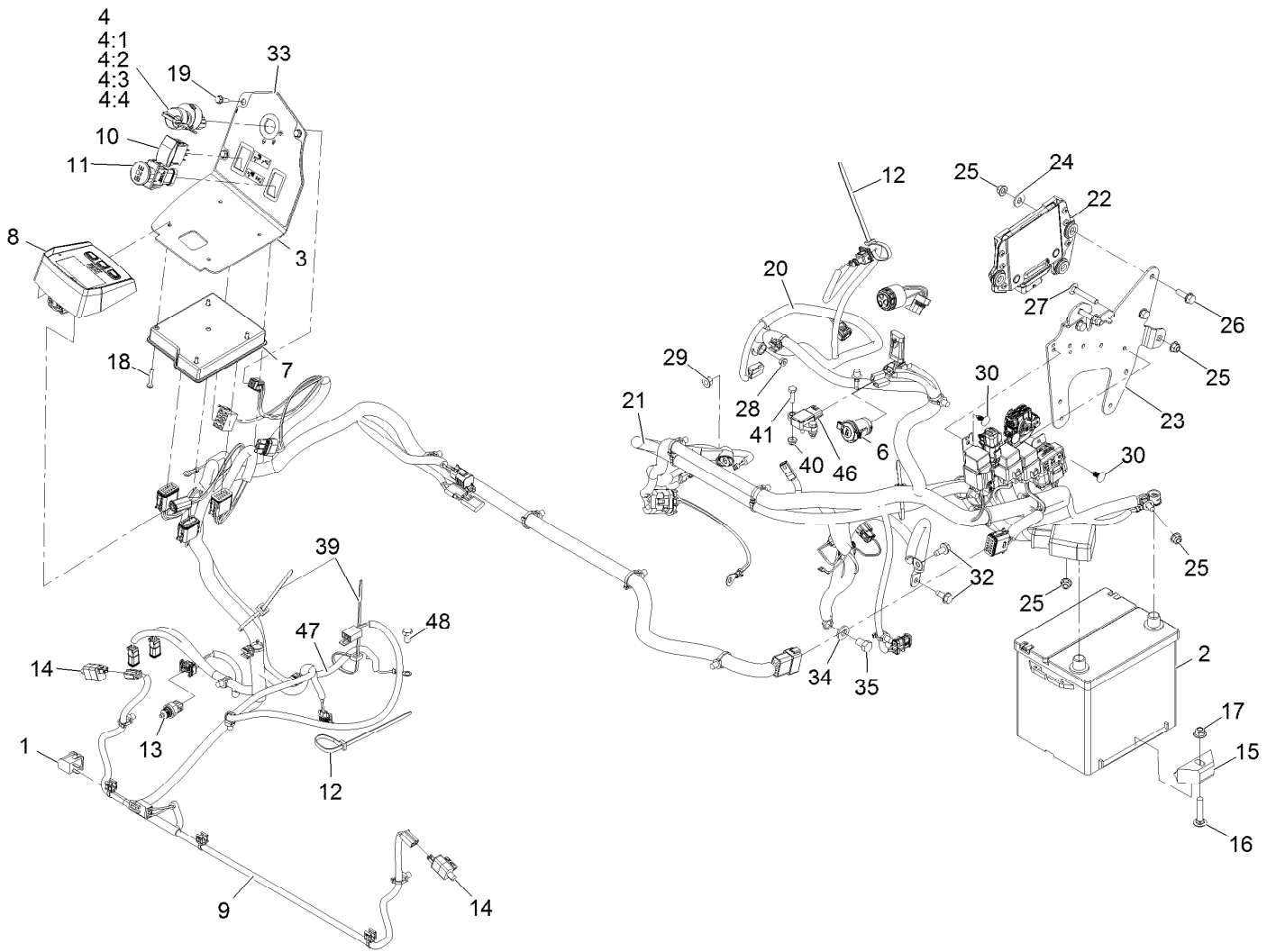
Hydraulic Gear Pump Assembly



Hydraulic Gear Pump Assembly (continued)

<i>Ref.</i>	<i>Part Number</i>	<i>Qty.</i>	<i>Description</i>
1	112-0198	1	Valve
2	112-0199	1	Seal Kit

Electrical Assembly



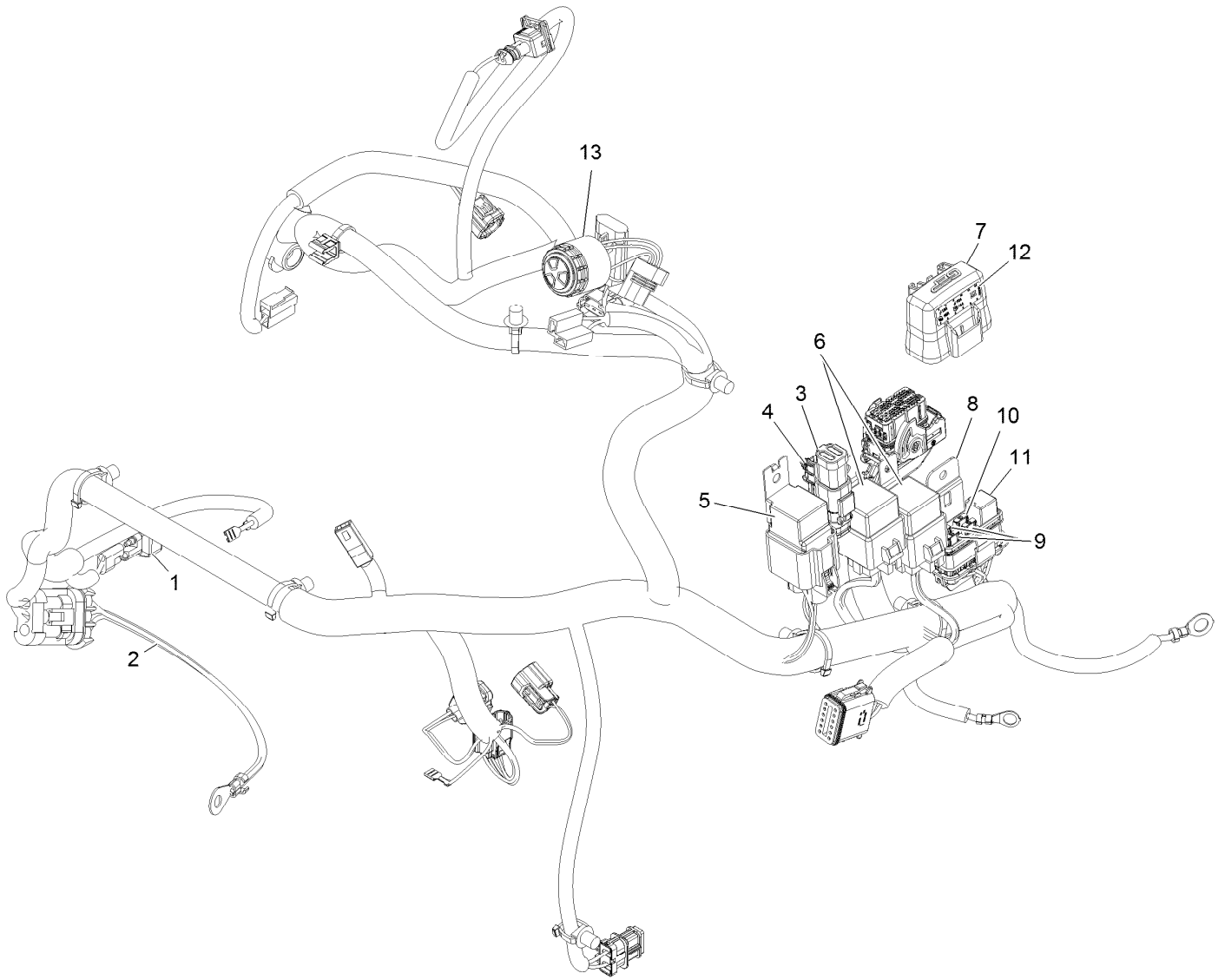
Electrical Assembly (continued)

<i>Ref.</i>	<i>Part Number</i>	<i>Qty.</i>	<i>Description</i>	<i>Ref.</i>	<i>Part Number</i>	<i>Qty.</i>	<i>Description</i>
1	82-2190	1	Switch	20	126-7387	1	Harness-Wire, Yanmar ■
2		1	Battery-Dry ●	21	126-7406	1	Cable-Battery
3	126-6788-03	1	Plate-Console	22	135-4280	1	Ecu ASM
4	126-6285	1	Ignition Switch ASM	23	135-0503-03	1	Bracket, Ecu Mount [black]
4:1		1	Switch-Ignition ●	24	3256-3	3	Washer-5/16 Std
4:2	108-8660	1	Nut-Mounting	25	104-8300	7	Nut-Nyloc 5/16-18 Flg
4:3	106-5270	1	Ignition Key Set	26	3234-29	3	Screw-HH Flg 5/16-18 X 1
4:4	108-8659	1	Washer-Backup	27	3230-6	2	Bolt-Carriage 3/16-18 X 2
6	126-6499	1	Port-Power, 12V	28	33003-00	1	Nut-Hex M6-1 Flg
7	135-3427	1	Module-Mcu	29	127-2371	1	Nut-HF
8	126-4232	1	Module, Ldu	30	117-2382	4	Plug-Plastic
9	126-7262	1	Harness-Wire	32	32144-70	2	Screw-HWH 5/16-18 X 3/4 Tf
10	100-1535	1	Switch, (On)-Off-(On)	33	126-9278	1	Decal-Control Panel
11	126-6187	1	Switch-PTO, Sealed	34	98-5975	1	Washer-Spring Disc 3/8
12	1-303335	3	Tie-Cable 7 15/16 (Large)	35	33115-016	1	Screw-HH
13	126-7698	1	Sensor-Temperature	39	3290-378	2	Tie-Cable
14	110-6765	2	Switch	40	104-7201	2	Nut-Nyloc 1/4-20 Flg
15	66-2490	1	Retainer-Battery	41	321-5	2	Screw-HH 1/4-20 X 7/8
16	3231-5	1	Bolt-Carriage 3/8-16 X 1 3/4	46	126-9261	1	Sensor-Atm
17	104-8301	1	Nut-Nyloc 3/8-16 Flg	47	135-3998	1	Harness-Wire, Jumper ■
18	126-5092	4	Screw-PPH	48	99-5132	1	Bolt
19	32105-15	3	Screw-Machine 1/4-20 X 3/4				

● Not serviced separately

■ Use dielectric grease on all unsealed connectors and terminals only. Do not apply in sealed connectors.

Harness Assembly



Harness Assembly (continued)

<i>Ref.</i>	<i>Part Number</i>	<i>Qty.</i>	<i>Description</i>	<i>Ref.</i>	<i>Part Number</i>	<i>Qty.</i>	<i>Description</i>
1	100-4918	1	Diode	8	32180-177	1	Clip-Mounting
2	99-3441	1	Harness-Wire, Fusible Link	9	121-8867	3	Fuse-Mini Blade, 15 Amp
3	32160-359	1	Connector (6M)	10	121-8866	1	Fuse-Mini Blade, 10 Amp
4	32180-103	1	Clip-Connector	11	126-3991	1	Relay-Micro
5	127-7514	1	Relay-70A	12	126-9100	1	Decal-Fuse
6	99-7430	2	Relay	13	126-6286	1	Alarm-Dual Tone
7	32180-176	1	Cover-Block, Fuse				

Notes:



MAXIMIZE THE PERFORMANCE OF YOUR EXMARK MACHINE.



EXMARK® PREMIUM ENGINE OIL

Exmark now offers a family of engine oil viscosities to perform well in any environment. Each viscosity has the same synthetic formulation to give you what you need in punishing conditions. We designed each grade to the highest quality, making it ideal even for diesel applications. Coupled with Exmark Premium Fuel Treatment, we have the performance products to make your machine hum.

EXMARK PREMIUM ENGINE OIL SAE 30/10W-30

- Meets zero shear requirements of a straight grade SAE 30 as well as the cold temp properties of a 10W-30.
- Most versatile oil in the industry.
- Superior corrosion protection over conventional oil - even in corrosive, humid environments.

EXMARK PREMIUM ENGINE OIL SAE 20W-50

- Perfect for your big block engine, or any application in severe service.
- Same full synthetic formulation as all other Exmark Premium viscosities.
- Also effective for use in severe service small block engines.

EXMARK PREMIUM ENGINE OIL SAE 10W-50

- Full synthetic formulation gives you peak performance. Don't settle for less.
- Wide span multi-grade combines easy starting in cold weather with maximum protection in high temperature operation.
- Reduce friction & wear over standard mineral formulations.

EXMARK PREMIUM ENGINE OIL SAE 0W-40

- The perfect choice for when the weather turns cold or unpredictable, and your Exmark UTV has to perform.
- Commercial quality for severe service.
- Advanced additive package helps prevent corrosion from long-term storage.

EXMARK PREMIUM ENGINE OIL UTV FORMULATION

- 4-cycle high-temp formulation.
- Heavier viscosity, full synthetic, perfect for your UTV.

EXMARK PREMIUM UTV EXTREME CONDITIONS GEAR OIL

- SAE 80W-90, designed to keep your UTV performing at its peak.
- Shear stable, hypoid gear lube.
- Includes a premium additive system to combat wear, oxidation, rust & corrosion.

Available from your local Exmark dealer. Find your closest dealer at exmark.com

EXMARK ACCESSORIES AND OPTIONS*

MID-MOUNT RIDING ACCESSORIES AND OPTIONS

CUSTOM RIDE SEAT SUSPENSION SYSTEM	OPERATOR CONTROLLED DISCHARGE
FULL SUSPENSION SEAT	SUN SHADE
DECK LIFT ASSIST KIT	TRASH CONTAINER
HITCH KIT	TURF STRIPER
LIGHT KIT	ULTRA VAC COLLECTION SYSTEM
12V POWER PORT	ULTRA VAC QUICK DISPOSAL SYSTEM
MICRO-MULCH SYSTEM	

OUT-FRONT RIDING ACCESSORIES AND OPTIONS

CUSTOM RIDE SEAT SUSPENSION SYSTEM	SNOW BLADE
DUAL-TAIL WHEEL	SNOWBLOWER
FLOOR PAN EXTENDER	SUN SHADE
HITCH KIT	TRASH CONTAINER
LIGHT KIT	ULTRA VAC COLLECTION SYSTEM
MICRO-MULCH SYSTEM	ULTRA VAC QUICK DISPOSAL SYSTEM
ROLL OVER PROTECTION SYSTEM (ROPS)	WEATHER CAB

WALK-BEHIND ACCESSORIES AND OPTIONS

GRASS CATCHER	TURF STRIPER
MICRO-MULCH SYSTEM	STANDON

*Some accessories and options not available for some models.

Place Model No. and Serial No.
Label Here (Included in the Literature
Pack) or Fill in Below

Model No. _____

Serial No. _____

Date Purchased _____

Engine Model No. and Spec. No. _____

Engine Serial No. (E/No) _____

© 2018 Exmark Mfg. Co., Inc.
2101 Ashland Ave
Beatrice, NE 68310
All Rights Reserved

Part No. 4503-749 Rev. B
(402) 223-6375
Fax (402) 223-5489
Printed in the USA.

