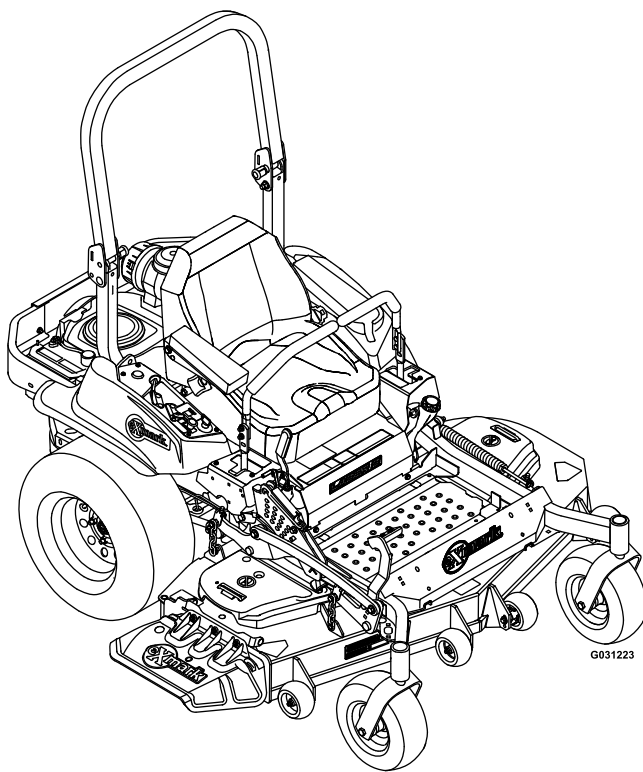




LAZER Z[®] X-SERIES

Model No. LZX980EKC726W0—Serial No. 402082300 and Up

Picture below may not reflect actual product.



Parts Manual

Part No. 4503-628 Rev. A

Ordering Replacement Parts

To order replacement parts, please supply the part number, the quantity, and the description of each part desired.

Understanding Reference Numbers

Each identified part in an illustration has a reference number. The reference number for a part also appears in the parts list, along with other information about the part.

This catalog uses two special reference number formats, one to indicate parts in a service assembly and another to indicate the quantity of a given part in an illustration.

Service Assembly Reference Numbers

Parts in service assemblies have reference numbers in the form a:b. The a represents the reference number of the entire service assembly and the b represents a sequential number unique to each part within the service assembly.

For example, a wheel assembly might be identified by reference number 6, the tire by 6:1, the valve by 6:2, and the wheel by 6:3. When you order the assembly identified by reference number 6, you receive all parts identified by reference numbers 6:1, 6:2, and 6:3. However, you may also order any part individually. Reference numbers of this type appear in illustration and in parts lists.

Reference Numbers Indicating Quantity

In an illustration, if a reference number indicates more than one part, the reference number has the form nX y. The n represents the quantity of the part, the X is the multiplication symbol, and the y represents the reference number.

For example, in an illustration, the reference number 2X 37 means that two of the parts identified by reference number 37 are indicated.

Touch Up Paint

Exmark black touch up spray paint – gloss black.

Exmark red touch up paint (spray paint – P/N 1-850337 - .6 oz liquid bottle – P/N 103-9140).

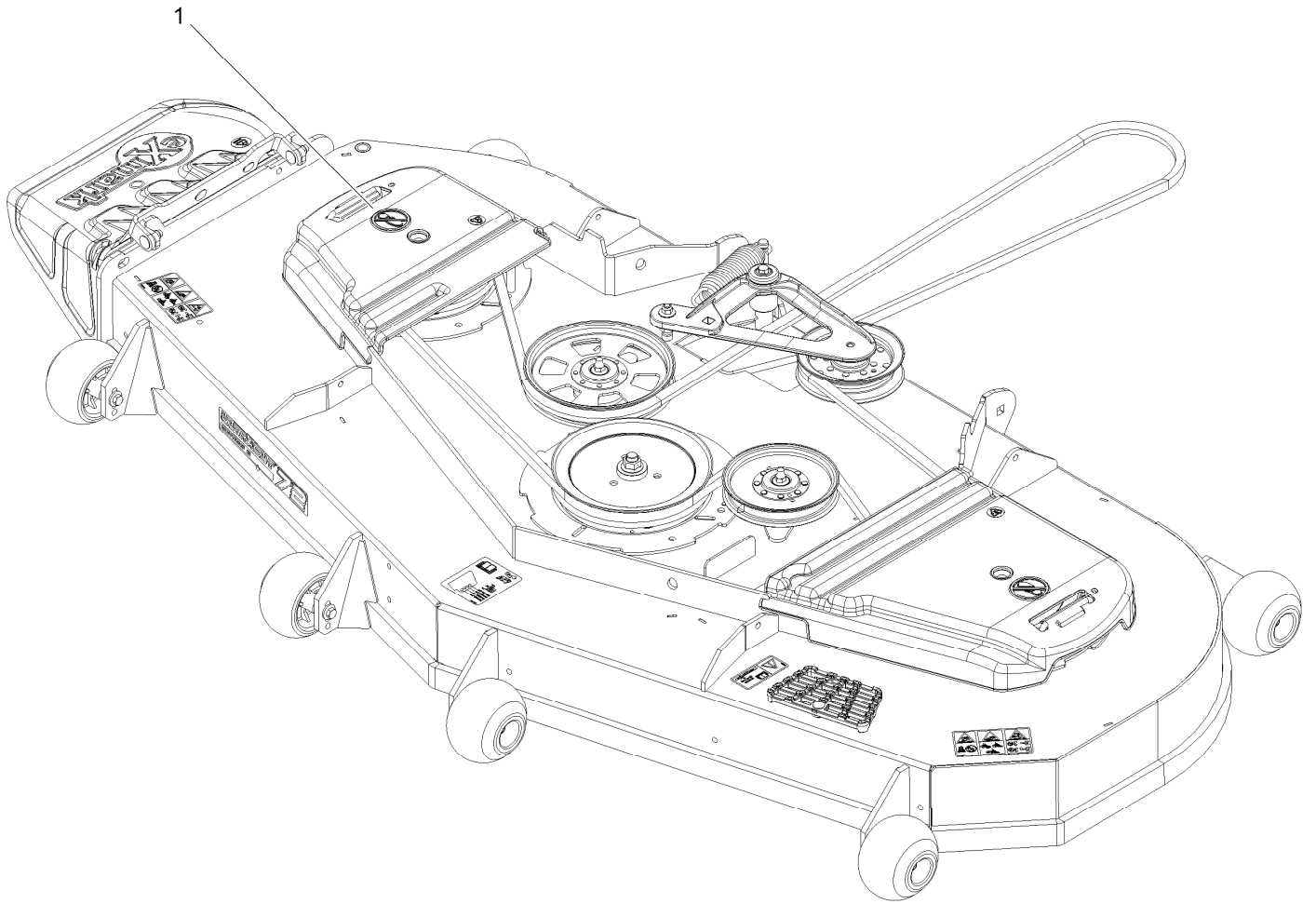


If your Exmark dealer does not have the Exmark part in stock, Exmark will get the parts to the dealer the next business day or the part will be FREE Guaranteed!! (Some restrictions apply. See your participating Exmark Dealer for details.)

Contents

Complete Deck Assembly	4
Deck Assembly	6
Deck W/Decals Assembly No. 116-1665	8
Idler Assembly	10
Cutter Housing Assembly No. 103-9539	12
Main Frame Assembly	14
X-Series Decal	16
Roll-Over Protection System	18
Roll-Over Protection System Assembly No. 116-0230	20
Front Caster and Fork Assembly	22
Caster Wheel and Fork Assembly	24
Deck Lift Assembly	26
Height-of-Cut Assembly No. 109-7438	28
Rear Wheel Assembly	30
Park Brake Assembly	32
Controls Assembly	34
Motion Control Assembly	36
Seat Assembly	38
Seat Assembly (cont.)	40
Fuel Tank Assembly	42
Fuel Tank Assembly	44
Engine Assembly	46
Hydraulic Assembly	48
LH Hydro Assembly No. 126-1319	50
RH Hydro Assembly No. 126-1320	52
Pump Idler Assembly No. 116-1255	54
Electrical Assembly	56
Wire Harness Assembly	58

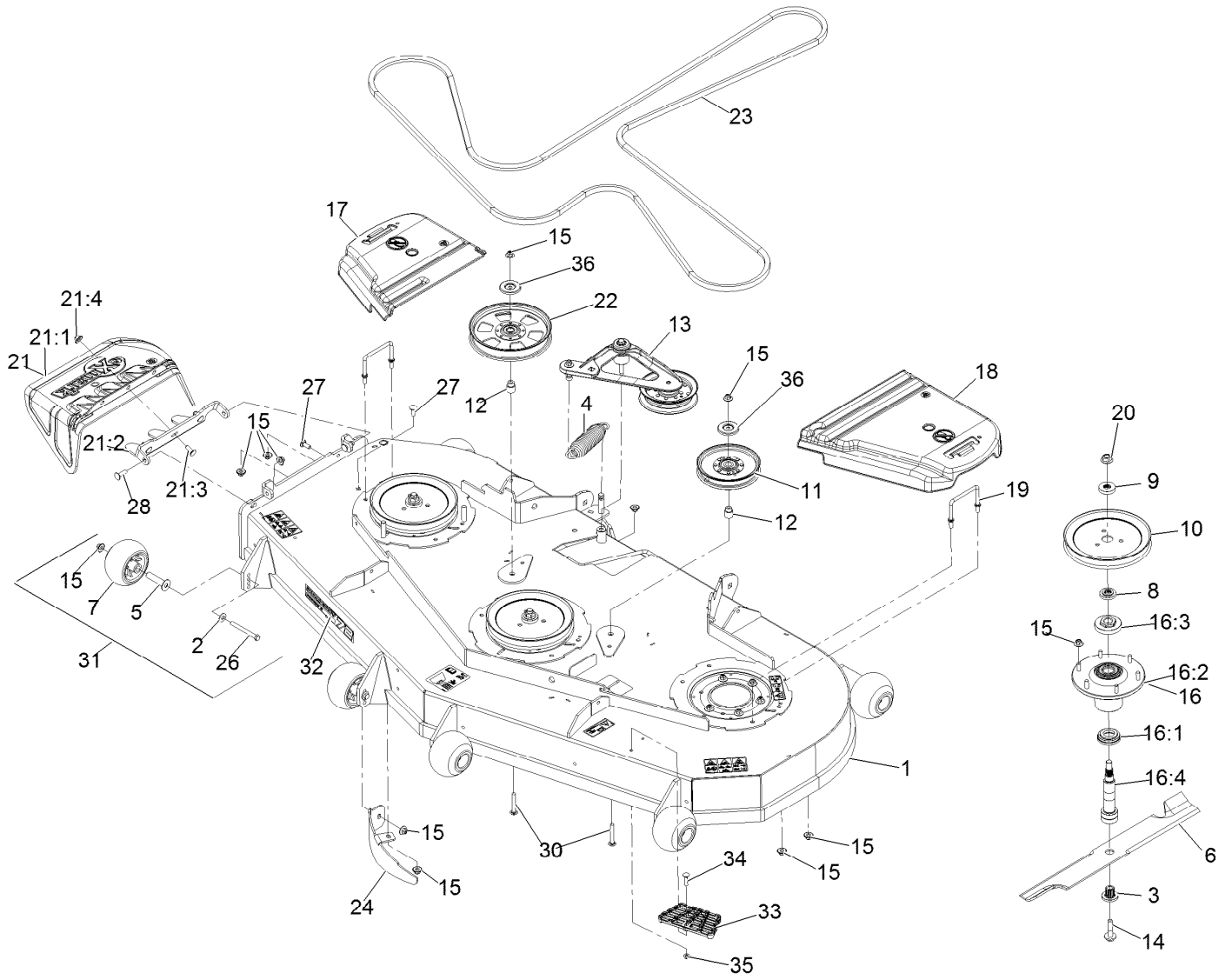
Complete Deck Assembly



Complete Deck Assembly (continued)

<i>Ref.</i>	<i>Part Number</i>	<i>Qty.</i>	<i>Description</i>
1	109-9649	1	Complete Deck ASM-726

Deck Assembly



Deck Assembly (continued)

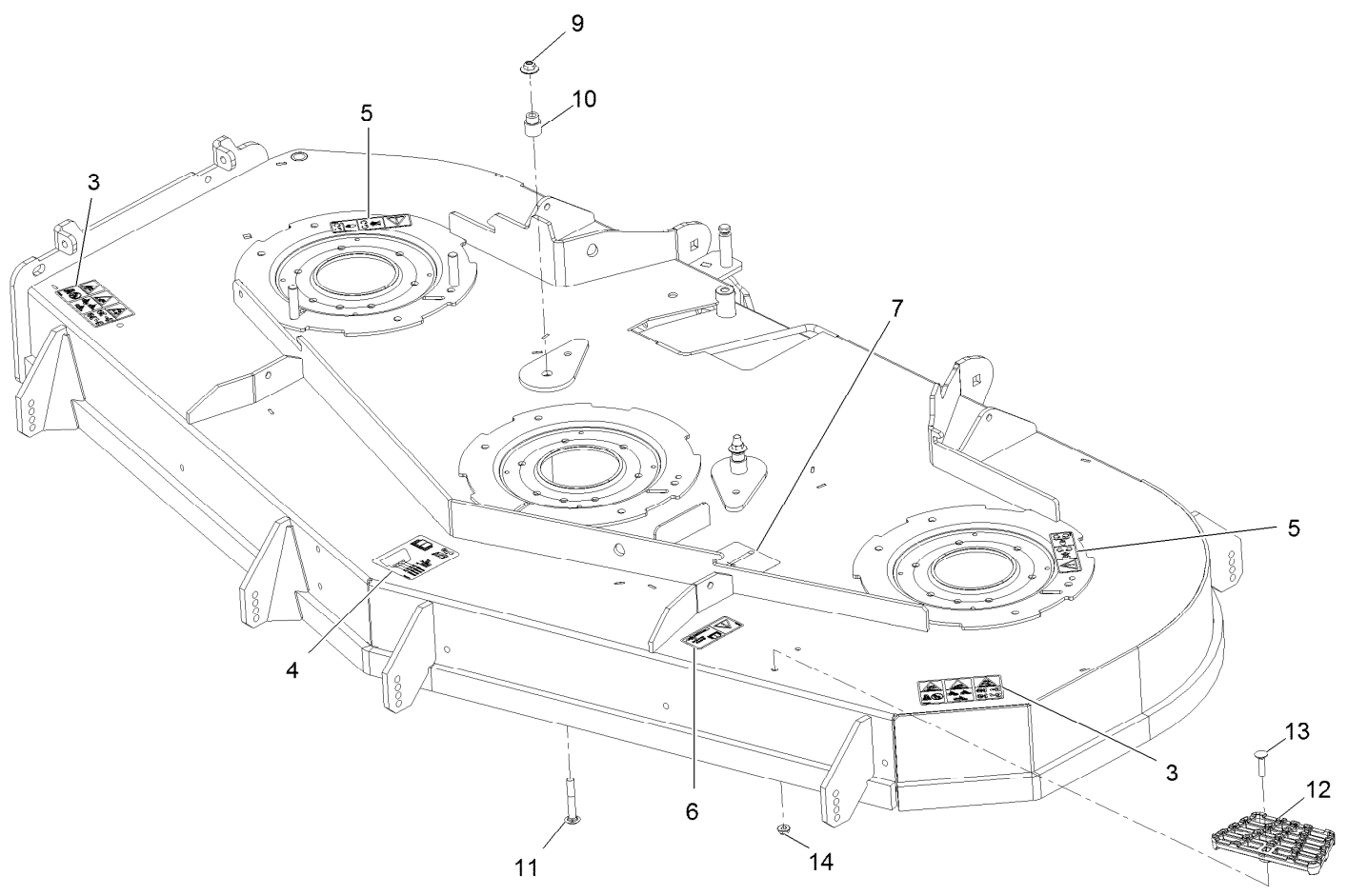
<i>Ref.</i>	<i>Part Number</i>	<i>Qty.</i>	<i>Description</i>	<i>Ref.</i>	<i>Part Number</i>	<i>Qty.</i>	<i>Description</i>
1	116-1665	1	ASM,Deck W/Decals 724	17	116-0094	1	Cover-Belt, RH
2	98-5975	6	Washer-Belleville	18	109-6938	1	Cover-Belt, LH
3	103-3037	3	Bushing, Splined	19	109-6982	2	Wireform-Cover
4	116-6317	1	Spring-Extension	20	109-7033	3	Nut-Flange 5/8-18 Centerlock
5	116-8131	6	Axle, Roller	21	109-7188	1	ASM,Discharge Chute
6	103-6384	3	Blade, Solid (72")	21:1	109-2738	1	Chute, Discharge
6	103-6389	3	Blade, Low Lift (72")	21:2	109-8675-01	1	Bracket,Discharge Chute
6	103-6394	3	Blade, Mulching ■	21:3	3231-22	3	Bolt-Carriage 3/8-16 X 1
6	103-6404	3	Blade, Notched (72")	21:4	109-6658	3	Nut-Nyloc 3/8-16 Flg
6	116-5171	3	Blade-Extreme 2, 24.50"	22	116-9639	1	Pulley-Idler, Flat
7	103-8415	6	Roller-Anti-Scalp	23	109-9023	1	Belt-V
8	103-9522	3	Spacer, Splined Stepped	24	116-5834-01	1	Baffle-Dogleg, Lz72
9	103-9523	3	Spacer, Splined	26	116-9362	6	Screw-HH
10	109-2180	3	Sheave,Blade Drive 9.00	27	3231-22	2	Bolt-Carriage 3/8-16 X 1
11	126-7685	1	Idler-Pulley	28	3231-28	2	Bolt-Carriage 3/8-16 X 1 1/4
12	1-633456	2	Bushing, Idler	30	3231-44	2	Screw-CARR
13	116-3755	1	Deck Idler ASM	31	116-9981	6	Kit, Anti-Scalp Roller
14	109-9220	3	Screw-Sems 1/2-20 X 2.19	32	126-6593	1	Decal, 726
15	109-6658	34	Nut-Nyloc 3/8-16 Flg	33	126-4781-03	1	Step-Deck
16	109-6917	3	ASM,Spindle Housing	34	3230-3	1	Bolt-Carriage 5/16-18 X 1 1/4
16:1	103-9504	1	Guard, Bottom	35	104-8300	1	Nut-Nyloc 5/16-18 Flg
16:2	103-9539	1	Asm, Cutter Housing	36	126-8043	2	Shield-Dust
16:3	109-0916	1	Nut, Spindle 7/8-14 ●				
16:4	109-6881	1	Spindle,Double Spline ▲				

● Torque to 160-185 ft-lb

■ Requires installation of mulch kit for proper mulching. See your Exmark dealer for details.

▲ Apply Mobil HTS grease (P/N 103-5217 1.5 oz packet) (or a food-grade anti-seize). See operator s manual for locations.

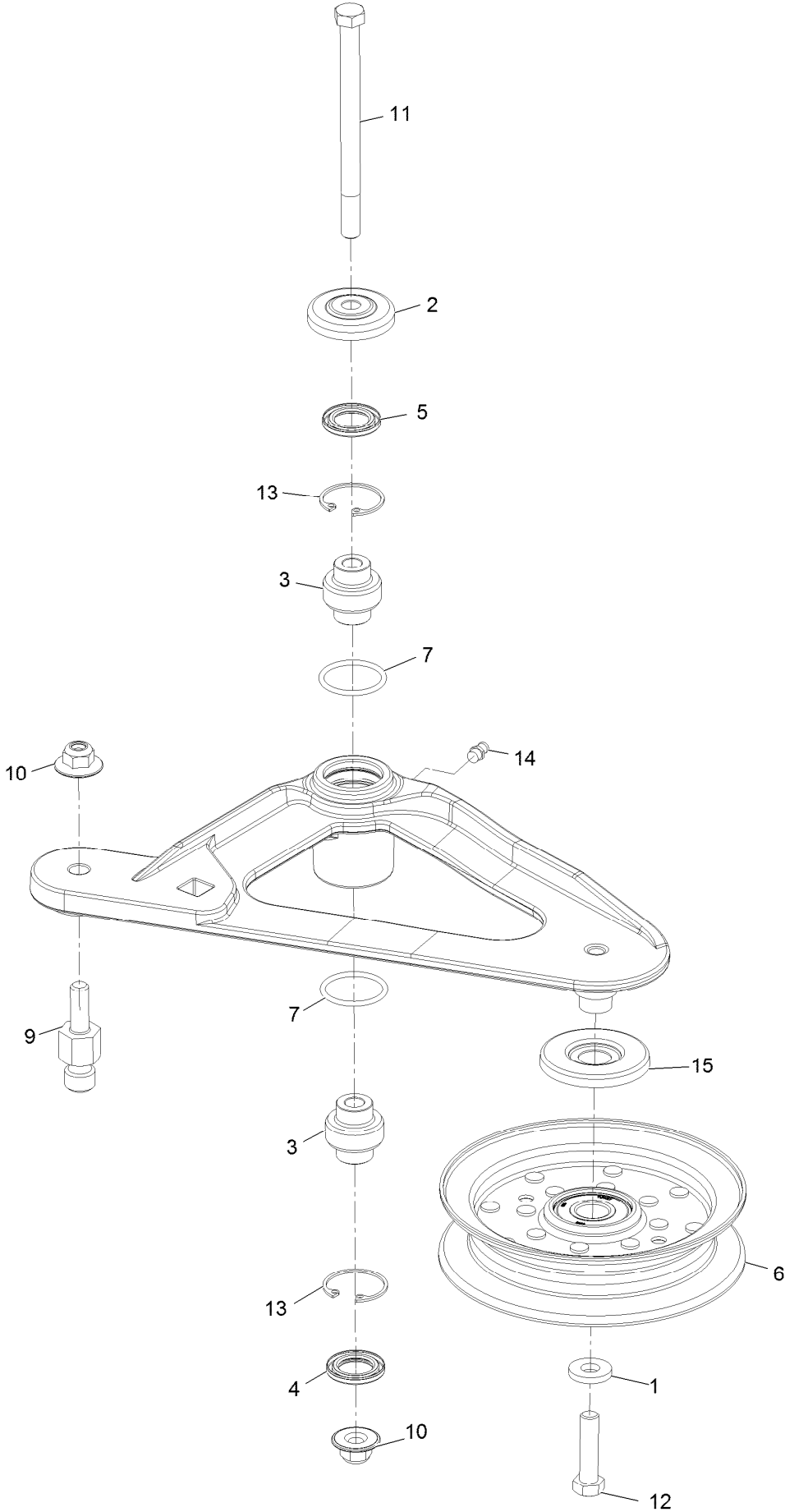
Deck W/Decals Assembly No. 116-1665



Deck W/Decals Assembly No. 116-1665 (continued)

<i>Ref.</i>	<i>Part Number</i>	<i>Qty.</i>	<i>Description</i>	<i>Ref.</i>	<i>Part Number</i>	<i>Qty.</i>	<i>Description</i>
3	126-6464	2	Decal-Danger Thrown Objects	9	109-6658	2	Nut-Flange, NI
4	109-6036	1	Decal-Roller, Anti-Scalp	10	1-633456	2	Bushing, Idler
5	112-9028	2	Decal-Cover, Missing	11	3231-44	2	Screw-CARR
6	116-8283	1	Decal-Bolt Torque	12	126-4781-03	1	Step-Deck
7	116-8727	1	Decal-Belt Routing	13	3230-3	1	Screw-CARR
				14	104-8300	1	Nut-HF, NI

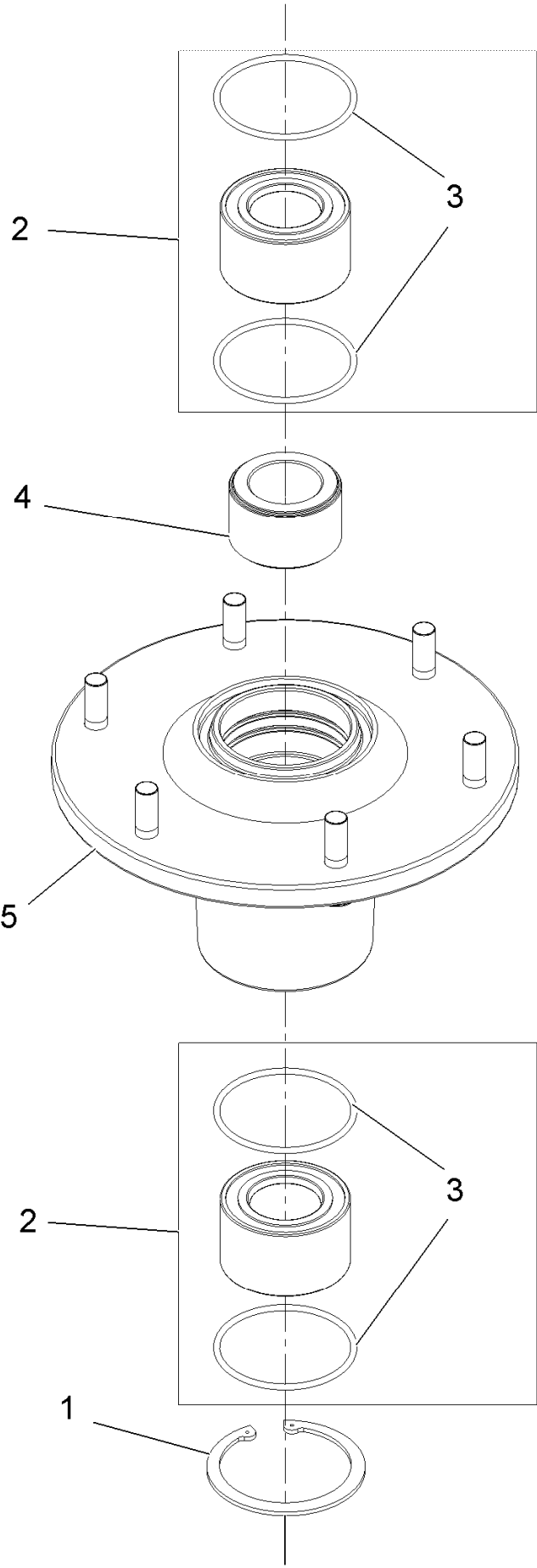
Idler Assembly



Idler Assembly (continued)

<i>Ref.</i>	<i>Part Number</i>	<i>Qty.</i>	<i>Description</i>	<i>Ref.</i>	<i>Part Number</i>	<i>Qty.</i>	<i>Description</i>
1	43-0940	1	Spacer	9	126-0423	1	Pin-Spring, Anchor
2	103-2916	1	Guard-Top	10	109-6658	2	Nut-Flange, NI
3	103-3504	2	Bearing-Spherical	11	109-7409	1	Screw-Shoulder, HH
4	103-3505	1	Seal-Lip, Double	12	323-8	1	Screw-HH
5	103-3506	1	Seal-Lip, Single	13	32120-10	2	Ring-Snap
6	126-9196	1	Idler-Pulley, Flat	14	302-19	1	Fitting-Grease
7	106-7159	2	O-Ring	15	126-9195	1	Shield-Guard, Dust

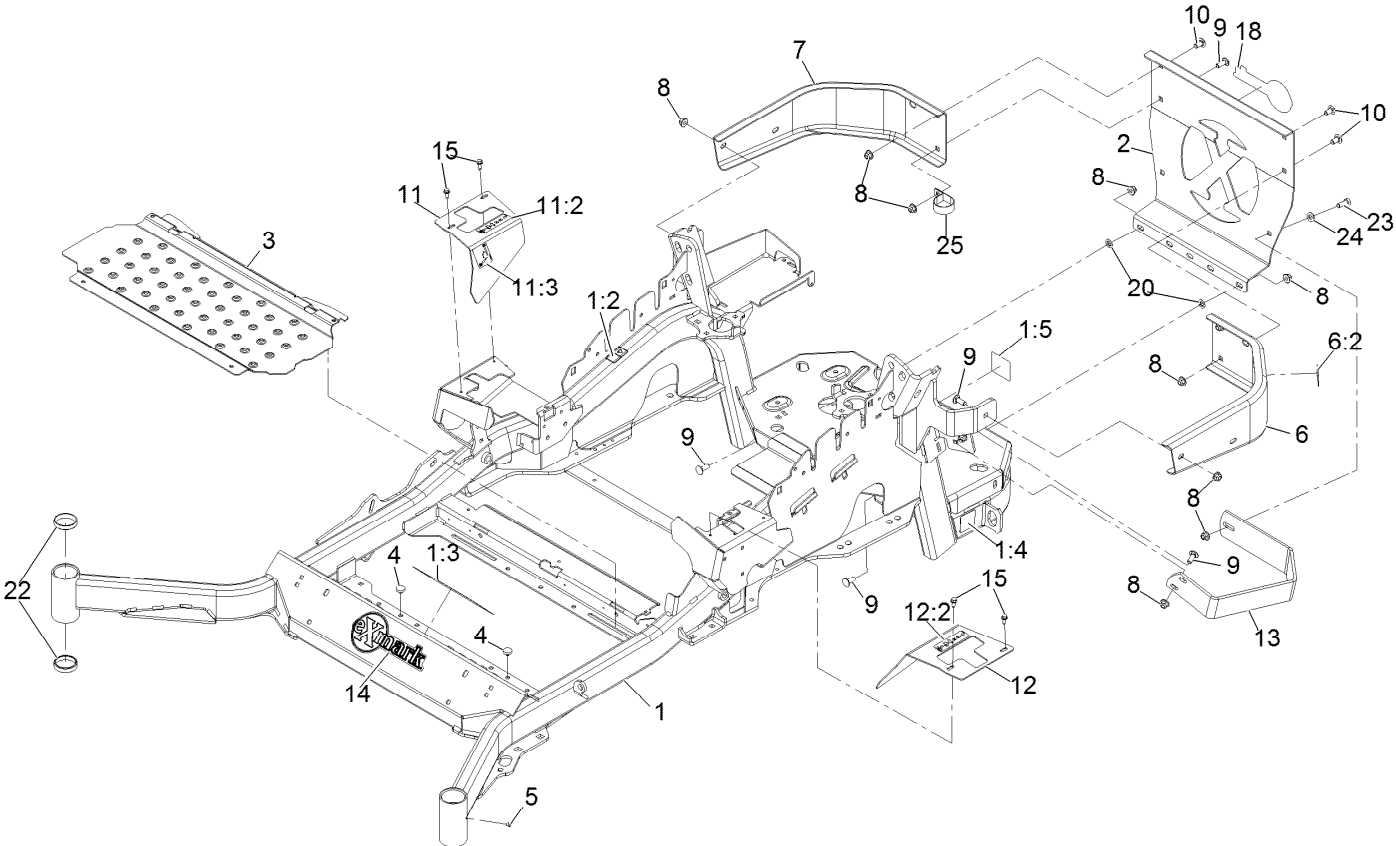
Cutter Housing Assembly No. 103-9539



Cutter Housing Assembly No. 103-9539 (continued)

<i>Ref.</i>	<i>Part Number</i>	<i>Qty.</i>	<i>Description</i>	<i>Ref.</i>	<i>Part Number</i>	<i>Qty.</i>	<i>Description</i>
1	92-5581	1	Ring-Retaining	4	103-9506	1	Spacer, Bearing
2	109-2064	1	Asm, Bearing W/O-Rings	5	109-0764	1	Asm, Housing W/Studs
3	103-5895	4	O-Ring				

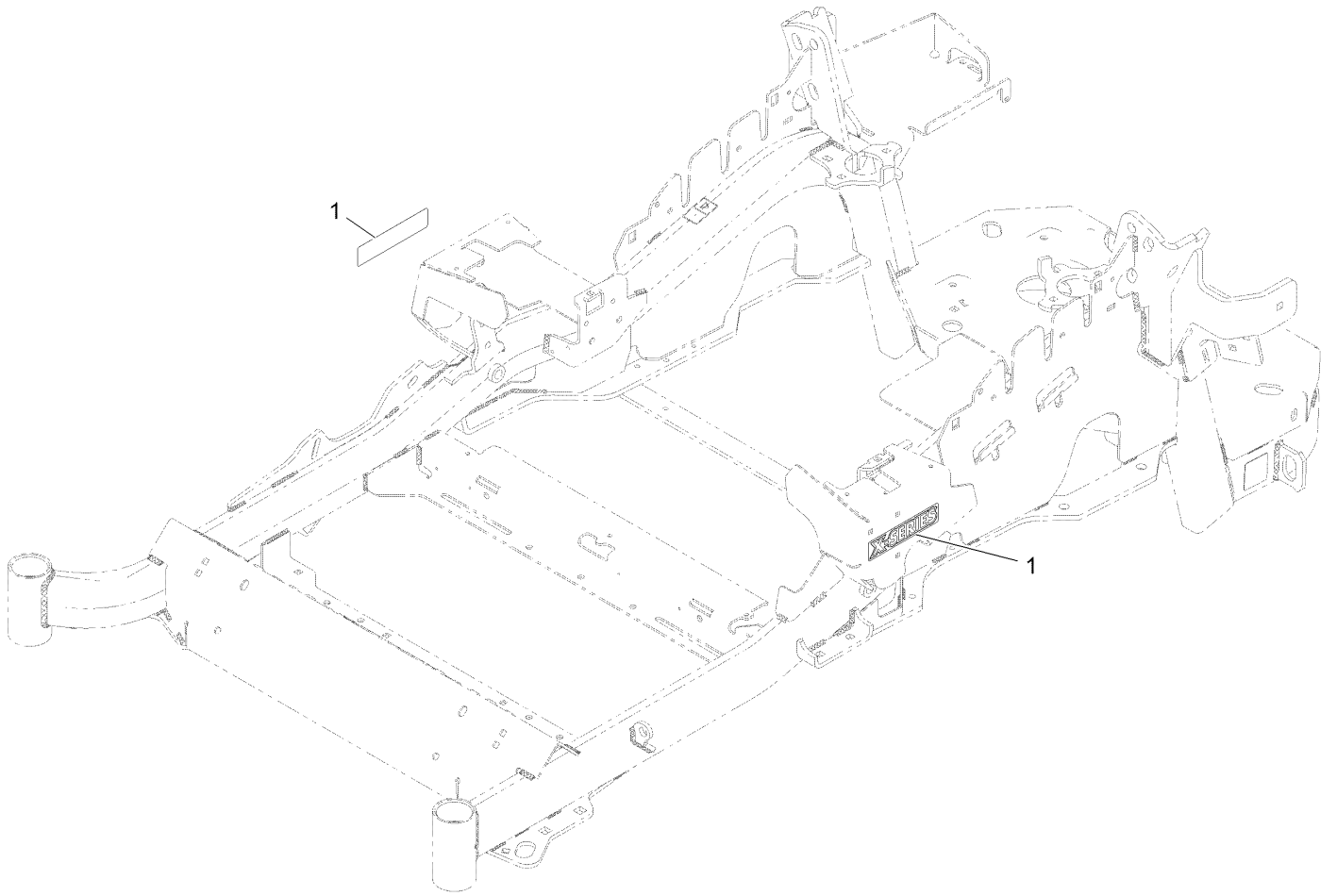
Main Frame Assembly



Main Frame Assembly (continued)

<i>Ref.</i>	<i>Part Number</i>	<i>Qty.</i>	<i>Description</i>	<i>Ref.</i>	<i>Part Number</i>	<i>Qty.</i>	<i>Description</i>
1	116-5904	1	Mainframe ASM	11	116-5899	1	RH Motion Control Cover ASM
1:2	106-5517	2	Decal-Warning	11:2	99-8936	1	Decal-Control, Motion
1:3	132-0871	1	Decal-Danger	11:3	116-5988	1	Decal-Park Brake, CE
1:4	106-2655	2	Decal-Hazard, Pinched Finger	12	116-0580	1	LH Motion Control Cover ASM
1:5	116-4858	1	Decal-Spark Arrester	12:2	99-8936	1	Decal-Control, Motion
2	109-8863-03	1	Plate,Rear Guard	13	126-2067-03	1	Guard-Muffler
3	116-8898-01	1	Floorpan	14	135-2274	1	Decal-Exmark
4	1-513658	2	Bumper	15	32144-10	4	Screw-HWH 1/4-20 X .62
5	1-811010	2	Plug	18	126-6965	1	Decal-Exmark Logo
6	116-0180	1	LH Bumper ASM	20	107-3154	2	Nut-Push 3/8-16
6:2	106-5517	1	Decal-Warning	22	1-543508	4	Cup-Bearing Tapered Roller
7	116-0057-03	1	Bumper-RH	23	323-6	1	Screw-HH 3/8-16 X 1
8	104-8301	11	Nut-Nyloc 3/8-16 Flg	24	3256-24	1	Washer-3/8 SAE
9	3231-22	7	Bolt-Carriage 3/8-16 X 1	25	2412-147	1	Clamp
10	3231-21	3	Bolt-Carriage 3/8-16 X 3/4				

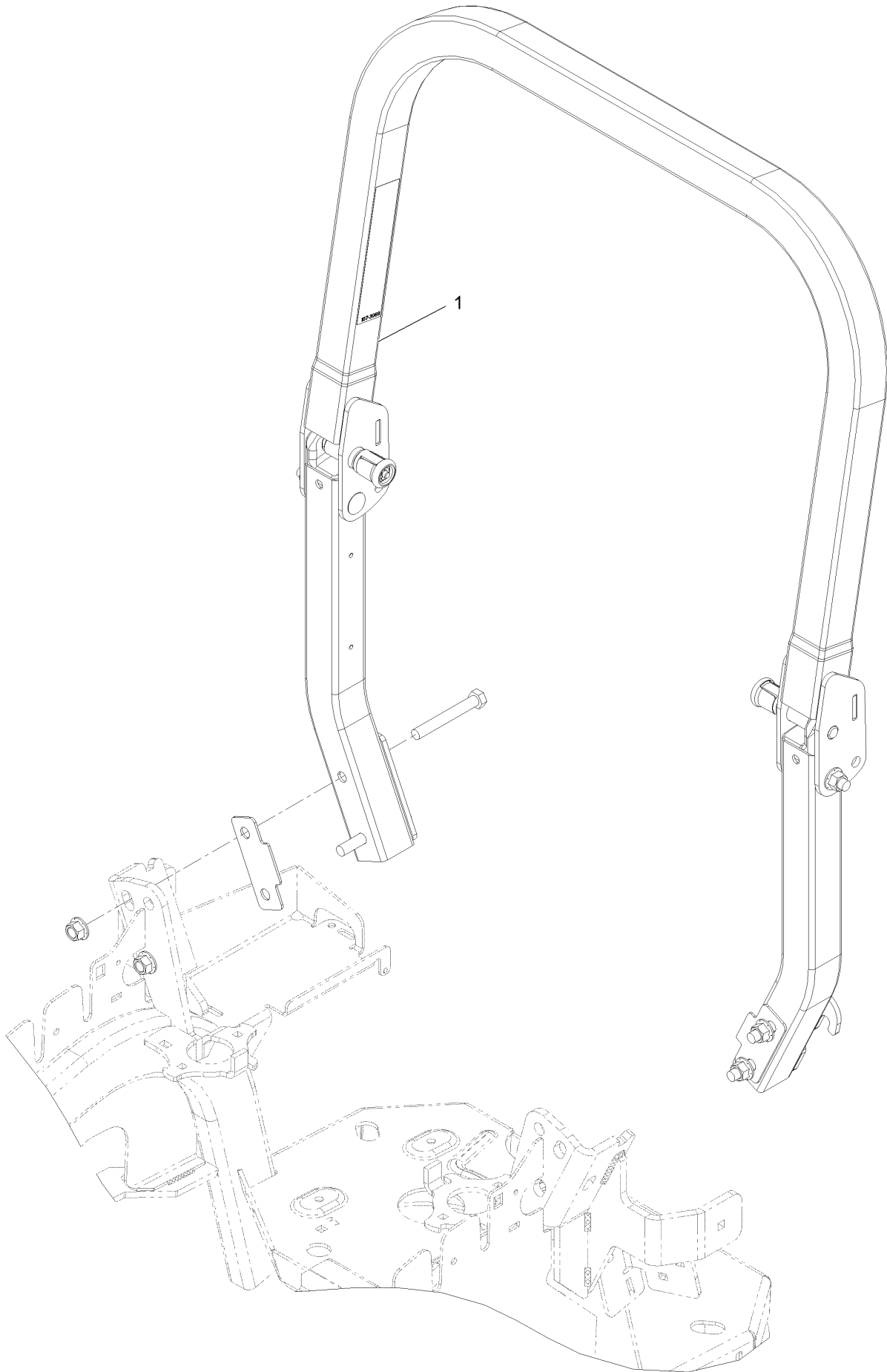
X-Series Decal



X-Series Decal (continued)

<i>Ref.</i>	<i>Part Number</i>	<i>Qty.</i>	<i>Description</i>
1	126-6573	2	Decal-X-Series

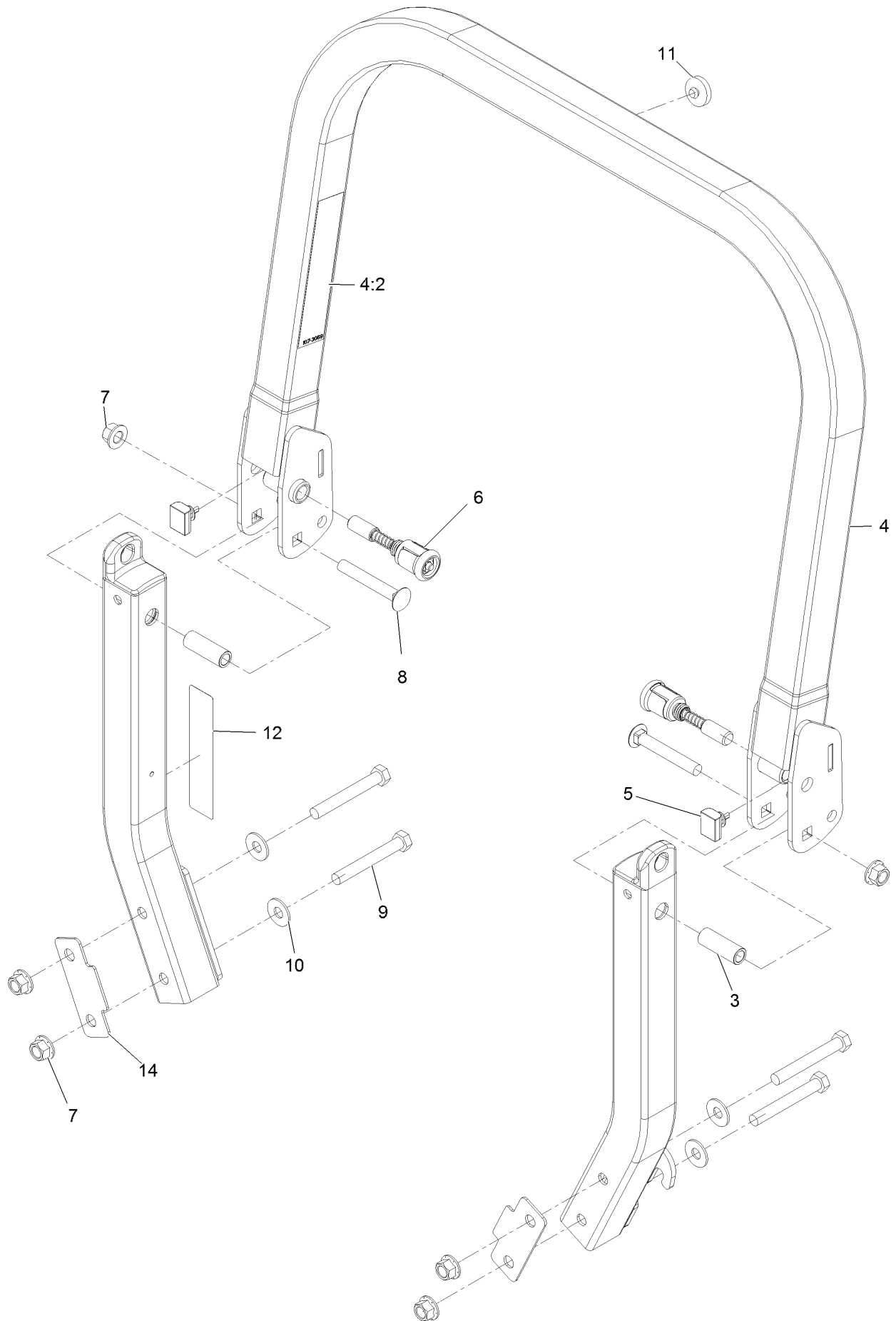
Roll-Over Protection System



Roll-Over Protection System (continued)

<i>Ref.</i>	<i>Part Number</i>	<i>Qty.</i>	<i>Description</i>
1	116-0230	1	ASM,ROPS Service Exmark

Roll-Over Protection System Assembly No. 116-0230



Roll-Over Protection System Assembly No. 116-0230 (continued)

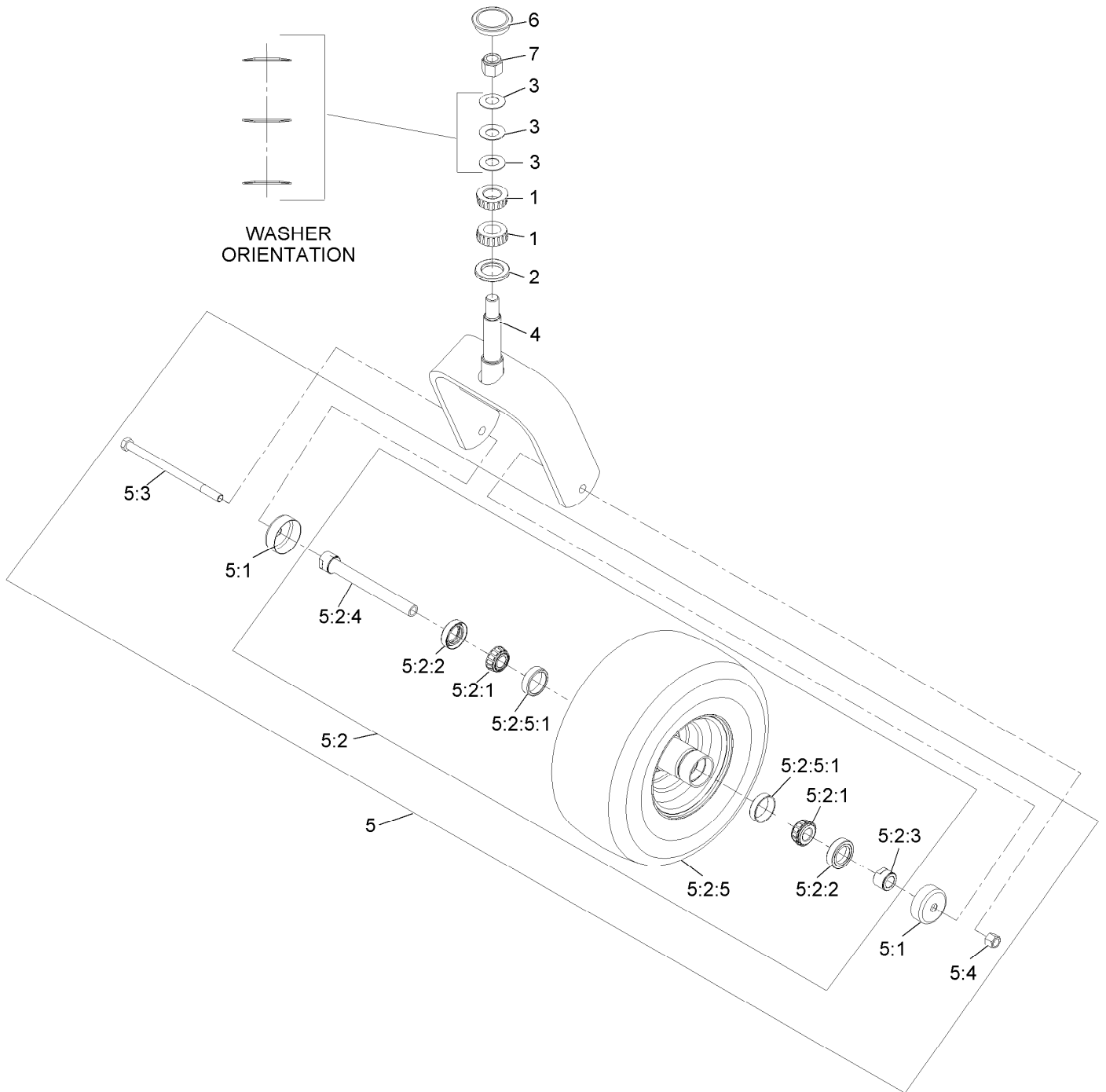
<i>Ref.</i>	<i>Part Number</i>	<i>Qty.</i>	<i>Description</i>	<i>Ref.</i>	<i>Part Number</i>	<i>Qty.</i>	<i>Description</i>
3	109-6653	2	Spacer	8	3233-10	2	Bolt-Carriage 1/2-13 X 3 1/2
4	116-0019	1	Upper ROPS ASM	9	325-35	4	Screw-HH
4:2	107-3069	1	Decal-Warning	10	109-9505	4	Washer, Spring Disc 1/2
5	109-5337	2	Bumper-ROPS	11	109-9233	1	Bumper-Push-In, Rubber
6	116-0104	2	Pin-Spring	12	117-0346	1	Decal-Caution, Fuel Vent
7	99-5107	6	Nut-Lock 1/2-13	14	116-0960	2	Spacer

Front Caster and Fork Assembly (continued)

<i>Ref.</i>	<i>Part Number</i>	<i>Qty.</i>	<i>Description</i>
1		2	Caster Wheel ASM ●

● Not serviced separately

Caster Wheel and Fork Assembly



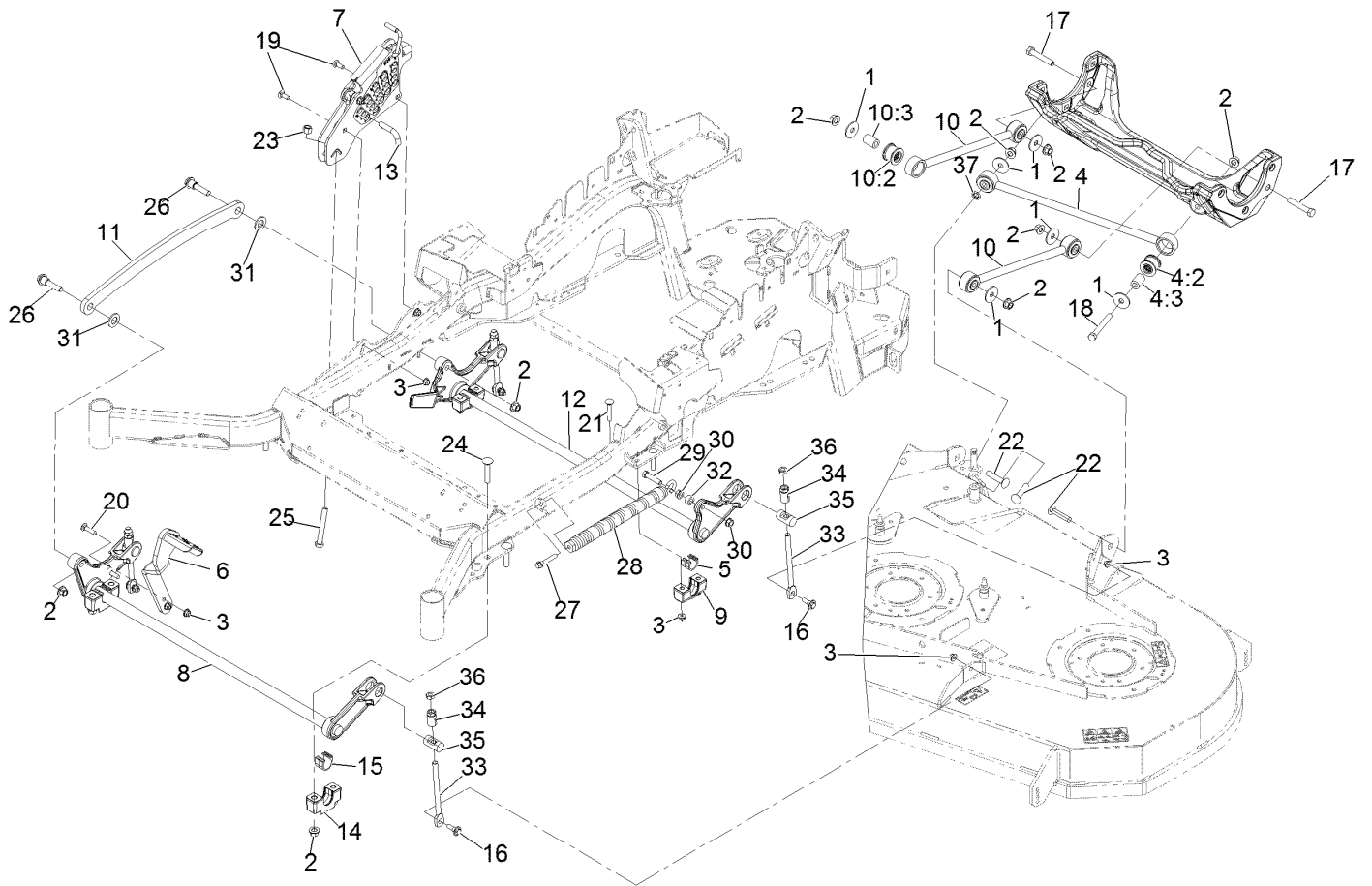
Caster Wheel and Fork Assembly (continued)

<i>Ref.</i>	<i>Part Number</i>	<i>Qty.</i>	<i>Description</i>	<i>Ref.</i>	<i>Part Number</i>	<i>Qty.</i>	<i>Description</i>
1	1-543509	2	Bearing-Roller, Tapered	5:2:3	103-3051	1	Spacer-Nut ■
2	116-5647	1	Seal-Grease	5:2:4	126-5361	1	Axle Caster ASM
3	1-633508	3	Washer-Bellville	5:2:5		1	Wheel And Tire ASM ●
4	116-6707-01	1	Caster	5:2:5:1	1-633584	2	Bearing-Cup
5	109-9127	1	Wheel & Tire ASM	5:3	325-39	1	Screw-HH
5:1	103-2768	2	Guard-Seal	5:4	3296-23	1	Nut-Lock, NI
5:2		1	Wheel And Tire ASM ●	6	103-4882	1	Cap-Grease
5:2:1	1-633585	2	Bearing-Cone, Taper	7	3296-51	1	Nut-Lock, NI
5:2:2	103-0063	2	Seal-Caster				

● Not serviced separately

■ Use Pro-Lock, Nut Type (P/N 1-840022, .5ml tube) on threads.

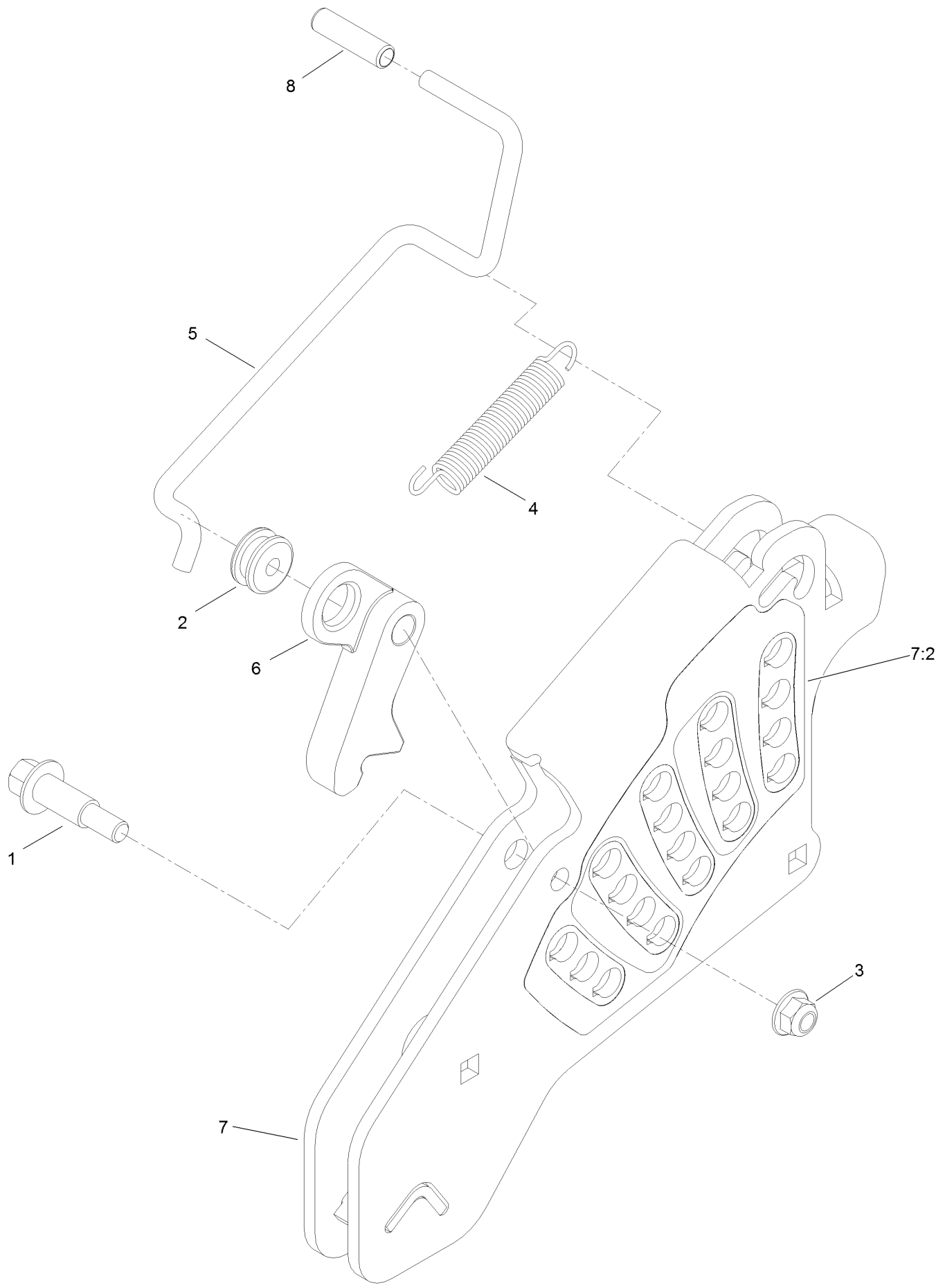
Deck Lift Assembly



Deck Lift Assembly (continued)

<i>Ref.</i>	<i>Part Number</i>	<i>Qty.</i>	<i>Description</i>	<i>Ref.</i>	<i>Part Number</i>	<i>Qty.</i>	<i>Description</i>
1	86-1990	6	Washer	17	325-12	2	Screw-HH 1/2-13 X 3
2	99-5107	12	Nut-Lock 1/2-13	18	325-17	1	Screw-HH 1/2-13 X 4
3	104-8301	12	Nut-Nyloc 3/8-16 Flg	19	3231-2	2	Bolt-Carriage 3/8-16 X 1
4	109-5013	1	Panhard Rod ASM	20	3231-4	2	Bolt-Carriage 3/8-16 X 1 1/2
4:2	109-5009	2	Bushing-Suspension, Rubber	21	3231-7	4	Bolt-Carriage 3/8-16 X 2 1/4
4:3	109-5010	2	Spacer	22	3233-34	3	Bolt-Carriage 1/2-13 X 2 1/2
5	109-7173	2	Bearing-Cross Shaft, Rear	23	3296-23	1	Nut-Nyloc 1/2-13
6	116-1919-01	1	Lever-Foot	24	116-1700	4	Bolt-Carriage 1/2-13 X 2 1/2 Spl Neck
7	109-7438	1	HOC ASM	25	116-0559	1	Bolt-HH 1/2-13 X 4 Tap
8	126-2477-03	1	Decklift-Front	26	116-2022	2	Screw-Hex Flange 1/2-13 X 1.90
9	127-0553	2	Support-Cross Shaft, Bearing Rear	27	92-7674	1	Screw-Shcs 3/8-16 X 2.212
10	109-7952	2	Deck Strut ASM	28	116-0000	1	Spring-Extension
10:2	109-5009	2	Bushing-Suspension, Rubber	29	109-9065	1	Screw-HH 7/16-14 X 2
10:3	109-5010	2	Spacer	30	32128-37	2	Nut-Whizlock 7/16-14
11	116-0797-03	1	Link-Lift, Deck	31	3256-28	2	Washer-3/4 SAE
12	116-2645-03	1	Lift-Deck, Rear	32	116-2695	1	Spacer
13	116-5584	1	Pin-HOC	33	109-8007	4	Link-Adjuster, Deck Lift
14	109-9409	2	Support-Cross Shaft, Bearing	34	109-7840	4	Adjuster-Lift, Deck
15	109-9410	2	Bearing-Cross Shaft, Front	35	109-8353	4	Trunnion
16	109-9840	4	Screw-Hex Flange 3/8-16 X .80	36	3218-5	4	Nut-Jam 1/2-13
				37	126-2916	1	Nut-Push

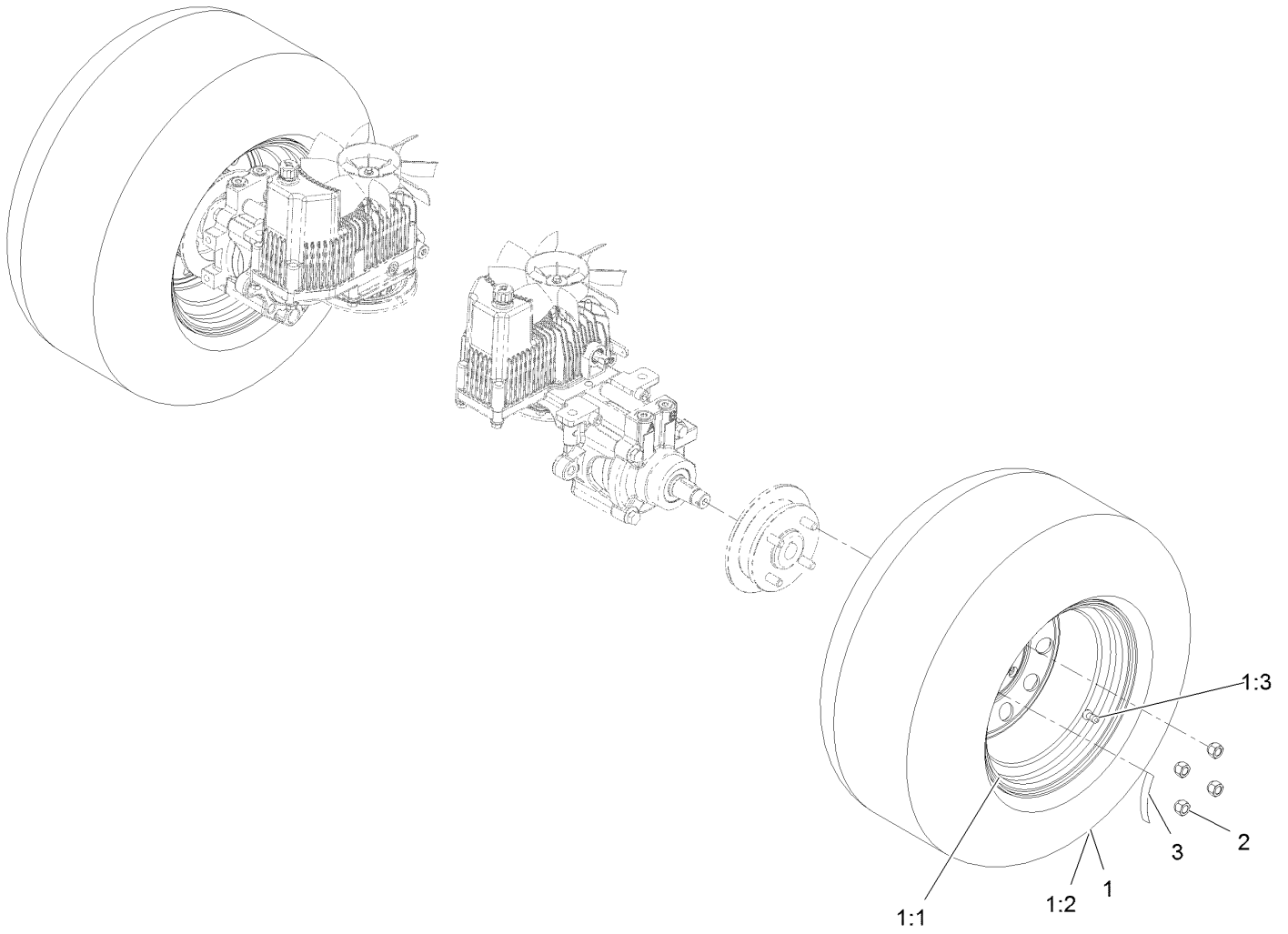
Height-of-Cut Assembly No. 109-7438



Height-of-Cut Assembly No. 109-7438 (continued)

<i>Ref.</i>	<i>Part Number</i>	<i>Qty.</i>	<i>Description</i>	<i>Ref.</i>	<i>Part Number</i>	<i>Qty.</i>	<i>Description</i>
1	62-1330	1	Bolt-Shoulder	6	116-0118	1	Pawl-Transport, HOC
2	109-7130	1	Grommet	7	109-7335	1	HOC Plate ASM
3	104-8301	1	Nut-HF, NI	7:2	126-4398	1	Decal-HOC
4	109-7124	1	Spring-Extension	8	109-8250	1	Grip-Lever
5	109-7128	1	Rod-Lock, Transport				

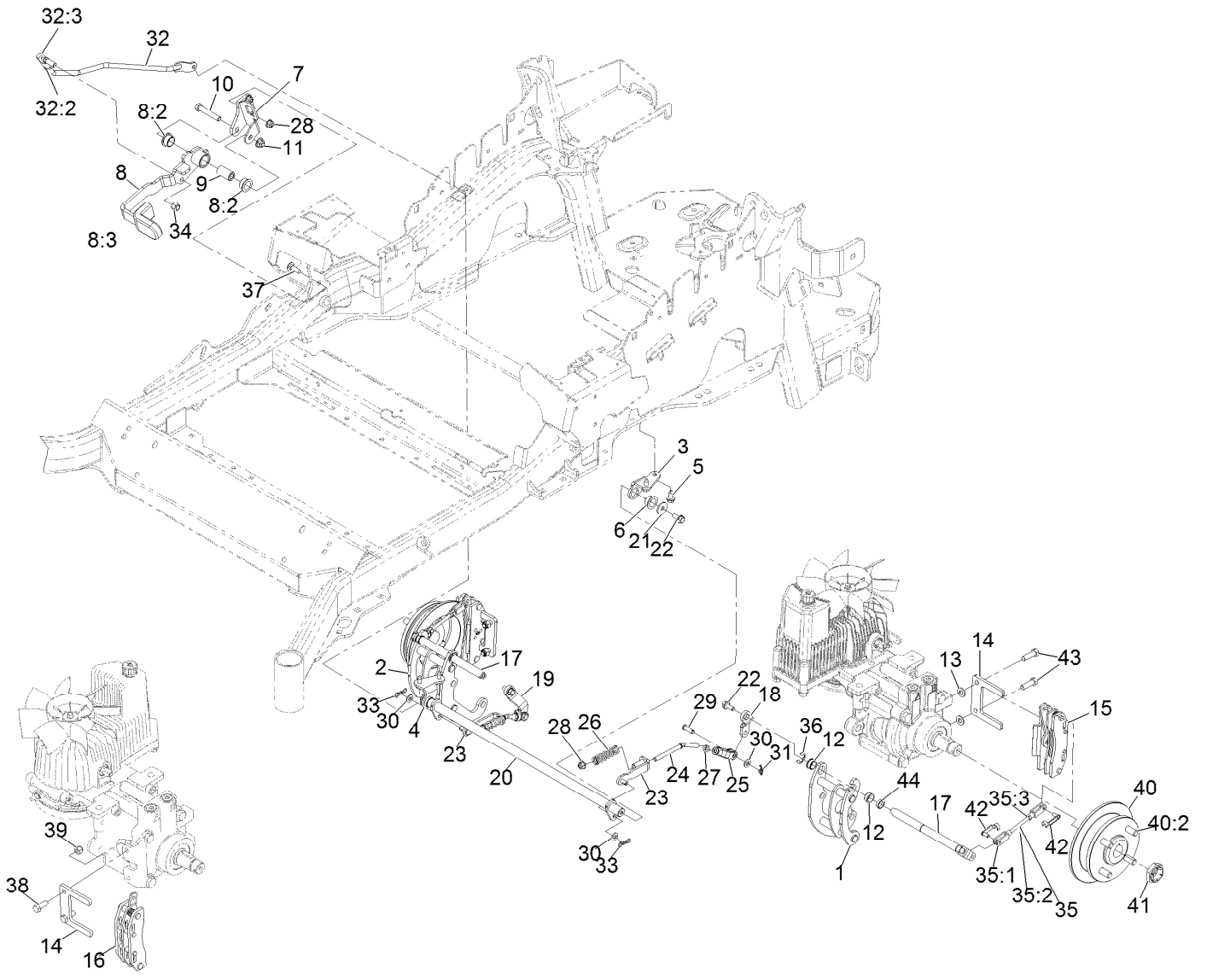
Rear Wheel Assembly



Rear Wheel Assembly (continued)

<i>Ref.</i>	<i>Part Number</i>	<i>Qty.</i>	<i>Description</i>	<i>Ref.</i>	<i>Part Number</i>	<i>Qty.</i>	<i>Description</i>
1	109-8972	2	Wheel And Tire ASM	2	242-50	8	Nut-Lug 1/2-20
1:1	1-633993	1	Tire	3	126-2055	2	Decal-Torque, Wheel Hub Lug
1:2	109-3156	1	Rim				
1:3	232-27	1	Stem-Valve				

Park Brake Assembly

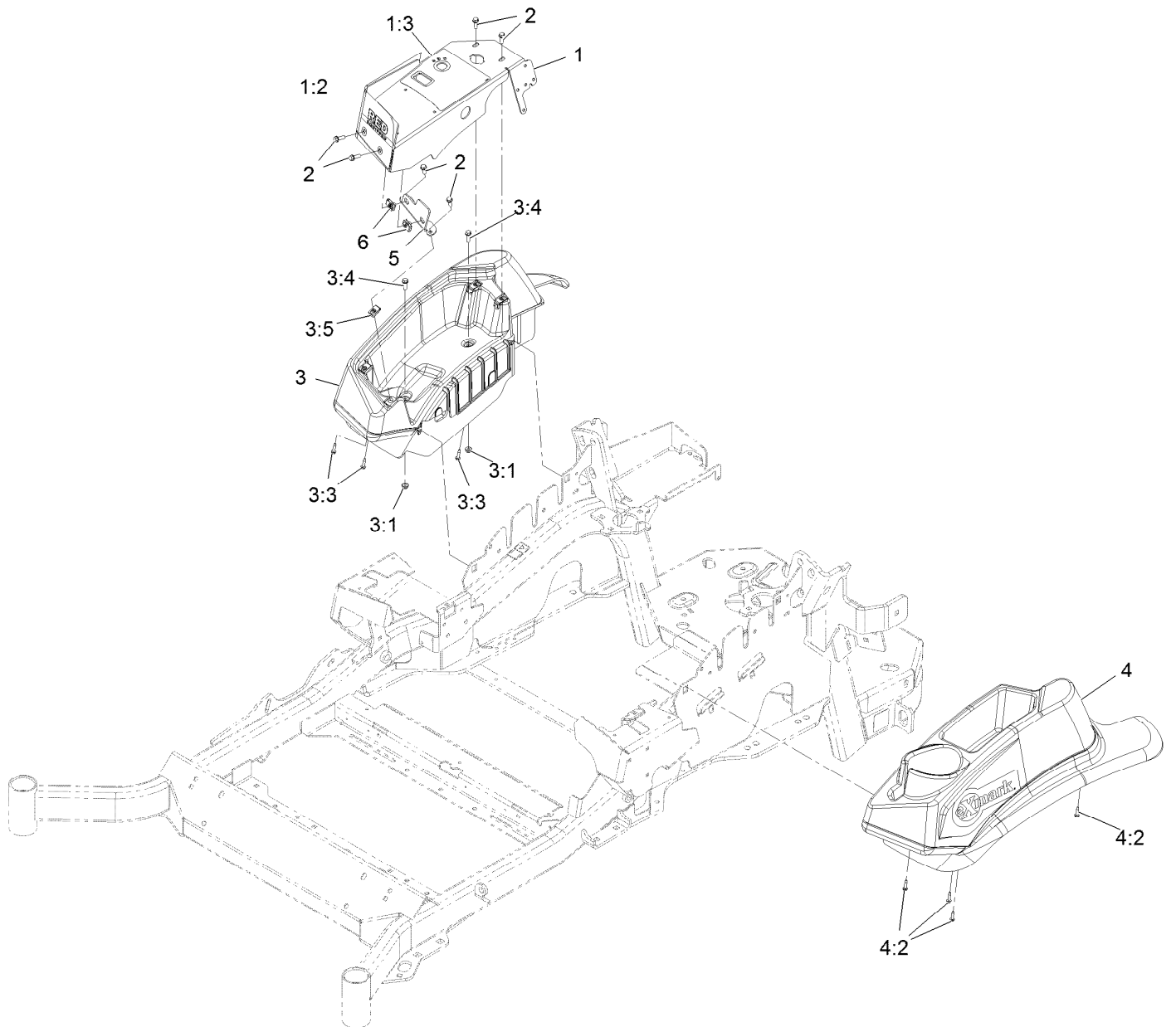


REAR VIEW OF
RIGHT HAND HYDRO

Park Brake Assembly (continued)

<i>Ref.</i>	<i>Part Number</i>	<i>Qty.</i>	<i>Description</i>	<i>Ref.</i>	<i>Part Number</i>	<i>Qty.</i>	<i>Description</i>
1	126-4248	1	Mount-Bellcrank, LH	26	116-9085	2	Spring-Compression
2	126-4249	1	Mount-Bellcrank, RH	27	3220-2	2	Nut-Jam 5/16-24
3	116-9681	1	Mount-Pivot, LH	28	104-8300	4	Nut-Nyloc 5/16-18 Flg
4	116-9682	1	Mount-Pivot, RH	29	1-808280	2	Pin-Clevis 5/16 X 1 49/64
5	32144-70	4	Screw-HWH 5/16-18 X 3/4 Tf	30	3256-23	4	Washer-5/16 SAE
6	109-8054	2	Bushing-Flanged	31	116-6639	2	Pin-Cotter, Locking
7	116-9096-01	1	Bracket-Mount	32	116-9102	1	Front Linkage ASM
8	132-9406	1	Brake Lever ASM W/ Grip	32:2	94-7572	1	End-Tie Rod, RH
8:2	109-8054	2	Bushing-Flanged	32:3	3220-3	1	Nut-Jam 3/8-24
8:3	132-4749	1	Grip-Lever	33	119-1415	2	Pin-Cotter, Locking
9	116-9117	1	Handle-Pivot, Brake	34	3296-6	1	Nut-Nyloc 3/8-24
10	323-11	1	Screw-HH 3/8-16 X 2 1/4	35	126-7587	2	Rear Linkage ASM
11	104-8301	1	Nut-Nyloc 3/8-16 Flg	35:1	126-7588	2	Yoke
12	126-6199	4	Bushing	35:2	116-9069	1	Linkage, Rear
13	3256-24	2	Washer-3/8 SAE	35:3	3220-1	1	Nut-Jam 1/4-28
14	109-0958	2	Plate-Mount, Brake	36	32120-19	2	E-Ring
15	109-2889	1	Caliper-Brake	37	3230-2	2	Bolt-Carriage 5/16-18 X 1
16	116-9103	1	Caliper-Brake, RH	38	323-6	2	Screw-HH 3/8-16 X 1
17	126-4251	2	Bellcrank	39	3296-39	2	Nut-Nyloc 3/8-16
18	126-3715	1	Arm-Inner, LH	40	116-1746	2	Wheel Hub ASM
19	126-3716	1	Arm-Inner, RH	40:2	116-1696	4	Stud-Wheel
20	116-9080	1	Shaft-Cross	41	116-1399	2	Locknut
21	115-7109	2	Washer-Flat	42	126-6395	4	Pin-Clevis, Spring
22	98-9940	4	Screw	43	92-5727	2	Screw-HH 3/8-16 X 1 1/4 Patch Lock
23	116-9609	2	Bracket-L	44	126-6200	2	Spacer
24	116-9086	2	Linkage-Mid				
25	126-3693	2	Yoke-Offset				

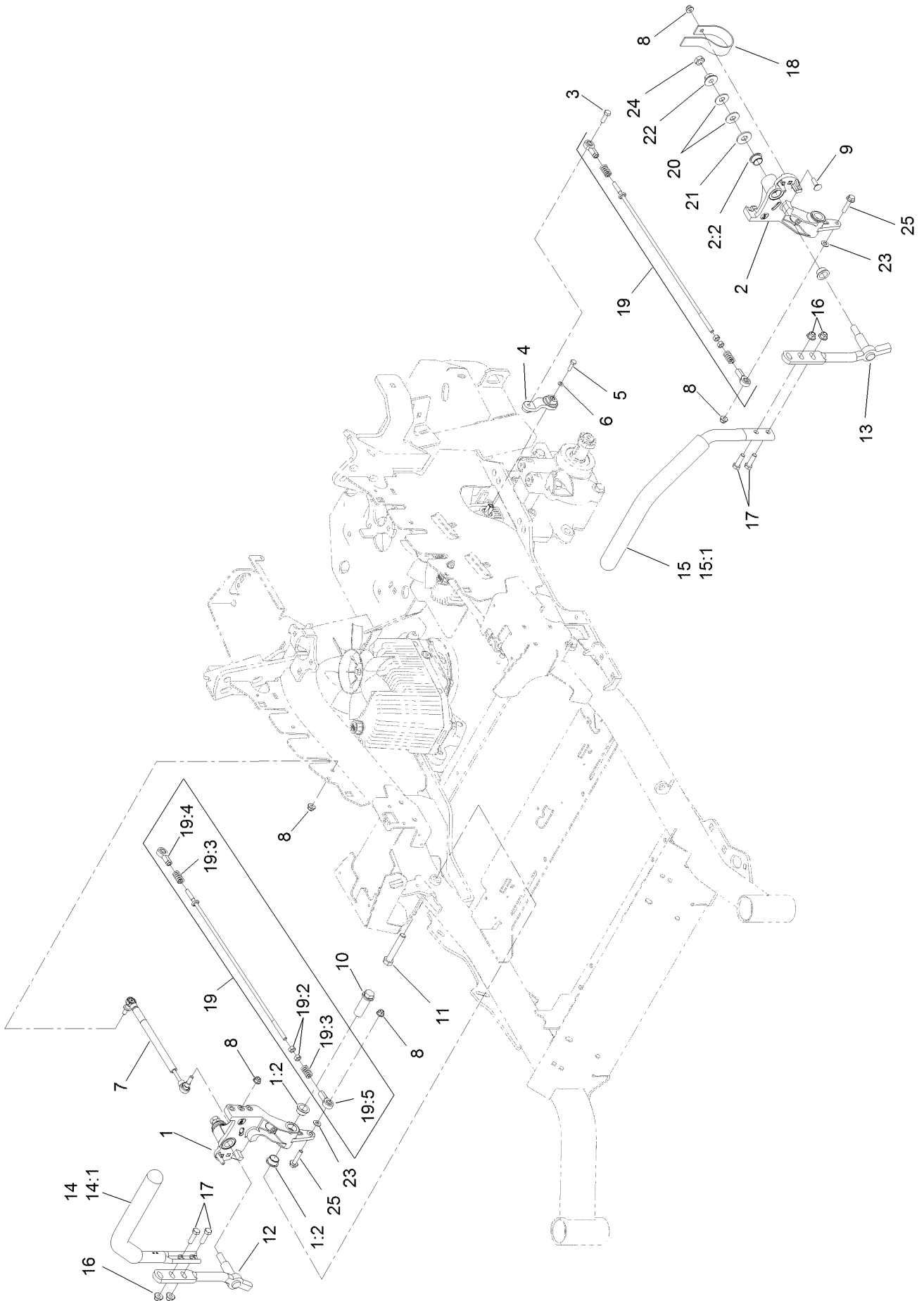
Controls Assembly



Controls Assembly (continued)

<i>Ref.</i>	<i>Part Number</i>	<i>Qty.</i>	<i>Description</i>	<i>Ref.</i>	<i>Part Number</i>	<i>Qty.</i>	<i>Description</i>
1	126-7274	1	Cover Panel ASM W/Decals	3:4	32105-15	2	Screw-HWH
1:2	135-0404	1	Decal-Control Panel Red	3:5	107069	4	Clip
1:3	126-4479	1	Decal-Console	4	109-9342	1	Console.LH Narrow ASM
2	32105-15	6	Screw-HWH	4:2	109-9345	4	Screw,Thd Form,HWH
3	109-9341	1	Console,RH Narrow ASM	5	126-4563-03	1	Bracket-Console
3:1	104-7201	2	Nut-HF	6	107069	2	Clip
3:3	109-9345	3	Screw,Thd Form,HWH				

Motion Control Assembly

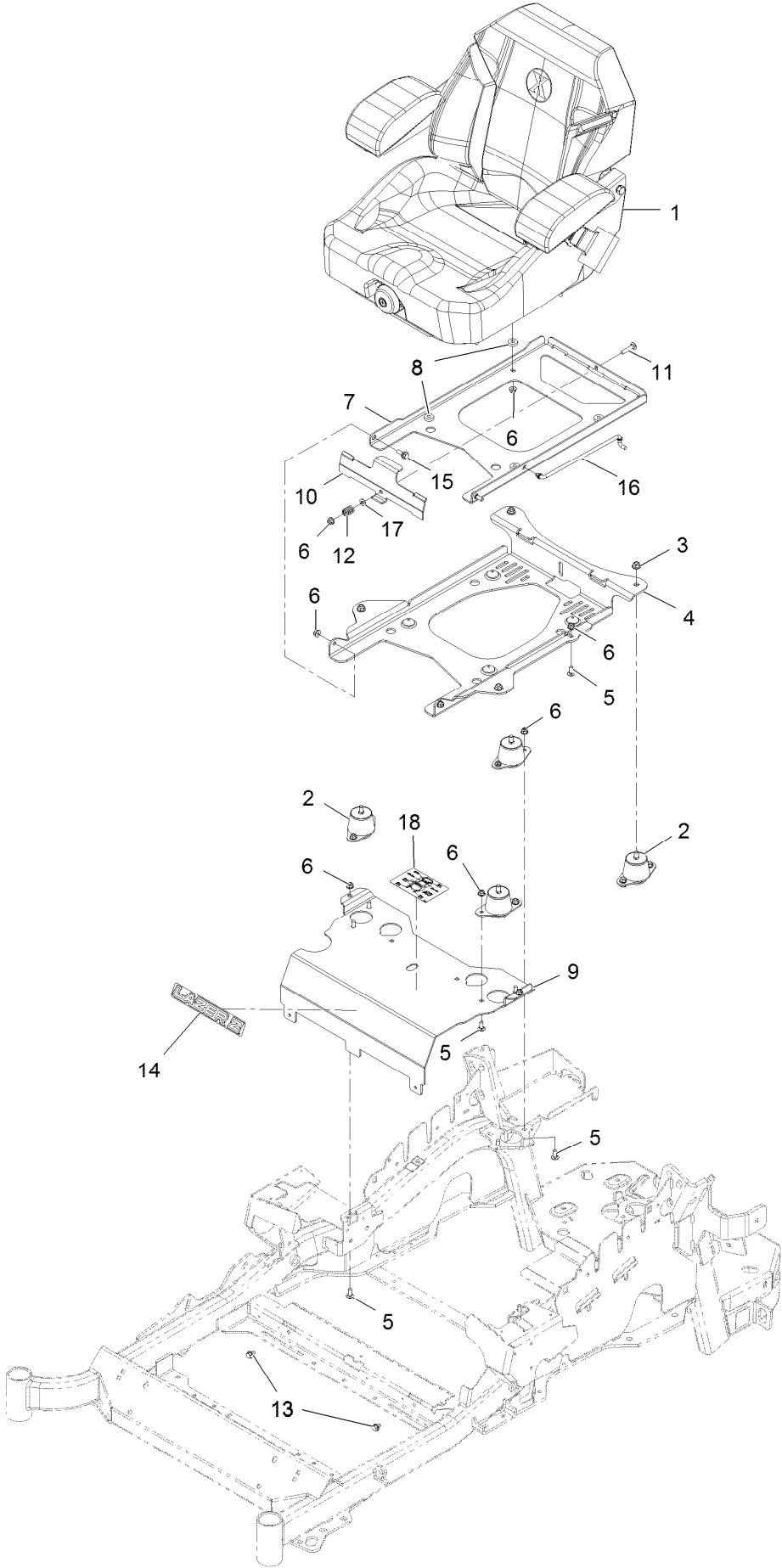


Motion Control Assembly (continued)

<i>Ref.</i>	<i>Part Number</i>	<i>Qty.</i>	<i>Description</i>	<i>Ref.</i>	<i>Part Number</i>	<i>Qty.</i>	<i>Description</i>
1	116-0880	1	RH Motion Control And Bushing ASM	14	109-6589	1	RH Steering Handle ASM
1:2	109-8054	4	Bushing-Flange	14:1	109-5668	1	Grip-Control, Lever
2	116-0881	1	LH Motion Control And Bushing ASM	15	109-6590	1	LH Steering Handle ASM
2:2	109-8054	4	Bushing-Flange	15:1	109-5668	1	Grip-Control, Lever
3	116-0648	2	Screw-HH, Thread Locking ●	16	104-8301	4	Nut-HF, NI
4	109-4581	2	Arm-Control, Pump	17	323-7	4	Screw-HH
5	9080046	2	Screw-HH ●	18	109-5575	2	Spring-Leaf
6	1-303435	2	Washer-Spring	19	109-8106	2	Front Pump Linkage ASM
7	116-0027	2	Damper-Control, Motion	19:2	3219-2	2	Nut-Hex
8	104-8300	8	Nut-HF, NI	19:3	1-323245	2	Spring-Compression
9	3230-2	2	Bolt-CARR	19:4	1-633152	1	Balljoint-LH
10	109-5891	2	Hub-Threaded	19:5	1-543017	1	Balljoint-RH
11	325-12	2	Screw-HH	20	109-9505	4	Washer-Spring
12	116-0039	1	Lever-Control Motion, RH	21	3256-6	2	Washer-Flat
13	116-0040	1	Lever-Control Motion, LH	22	32128-56	2	Nut-HF
				23	3256-23	2	Washer-Plain
				24	3218-5	2	Nut-Jam
				25	115-1794	2	Screw-HHF

● Use Pro-Lock, Nut Type (P/N 1-840022, .5ml tube) on threads.

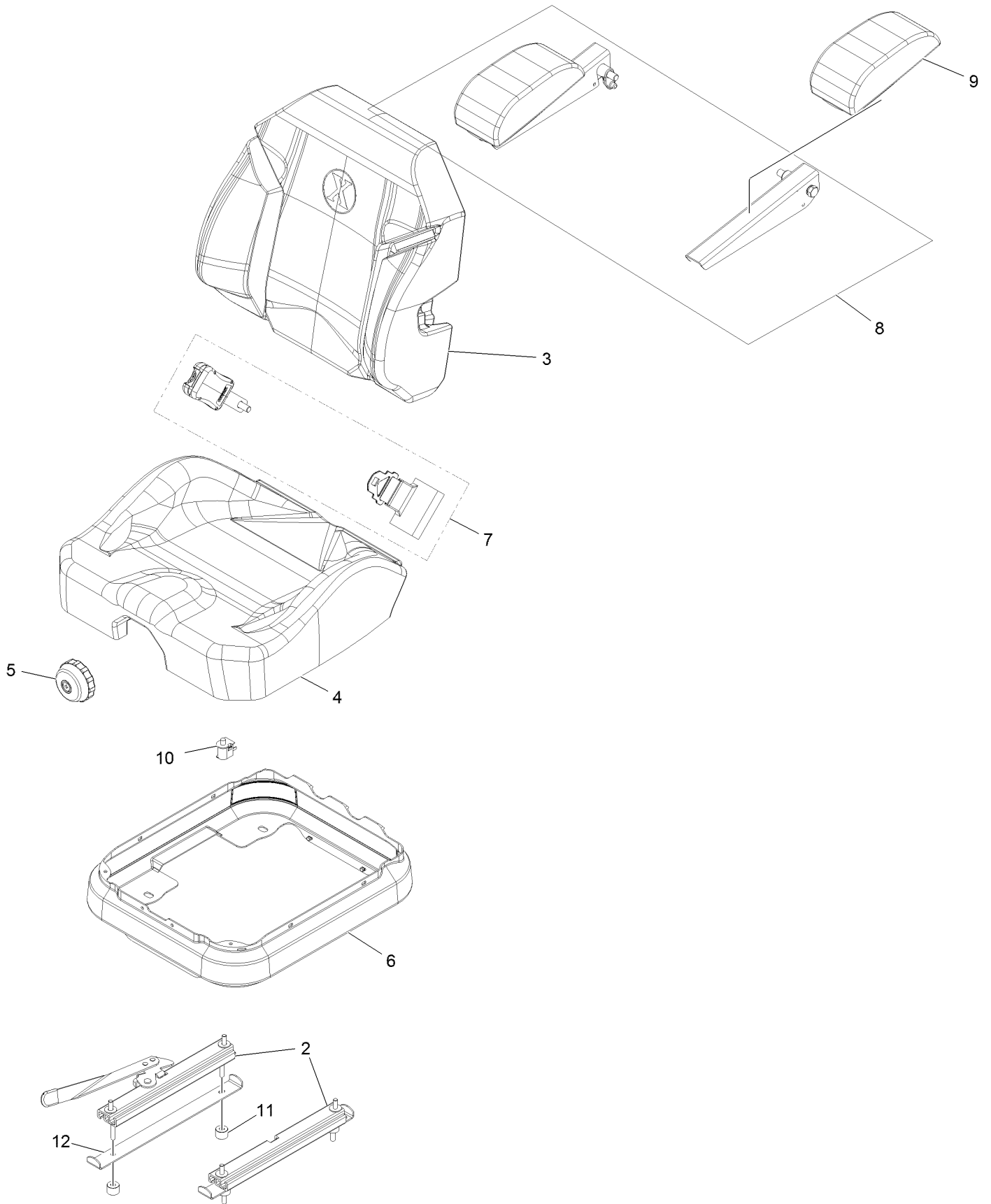
Seat Assembly



Seat Assembly (continued)

<i>Ref.</i>	<i>Part Number</i>	<i>Qty.</i>	<i>Description</i>	<i>Ref.</i>	<i>Part Number</i>	<i>Qty.</i>	<i>Description</i>
1	116-8912	1	Kit-Suspension Seat	10	109-9881-03	1	Plate-Latch, Seat
2	109-9034	4	Isolator-Seat	11	3230-4	1	Bolt-Carriage 5/16-18 X 1 1/2
3	104-8301	4	Nut-Nyloc 3/8-16 Flg	12	107-3017	1	Spring-Compression
4	116-3860-03	1	Plate-Tilt, Seat Support	13	9266934	2	Screw-HWH 5/16 X 1/2 Tf
5	3230-23	11	Bolt-Carriage 5/16-18 X 3/4 Short Neck	14	126-6574	1	Decal, Lazer Model
6	104-8300	18	Nut-Nyloc 5/16-18 Flg	15	116-1297	2	Screw-Shoulder
7	116-3859-03	1	Plate-Frame, Seat	16	116-0070	1	Rod-Prop
8	26-4840	4	Spacer-Pin, Mounting	17	3256-23	1	Washer-5/16 SAE
9	116-2130-03	1	Panel-Front, Seat Mount	18	114-4465	1	Decal-Service Aid

Seat Assembly (cont.)

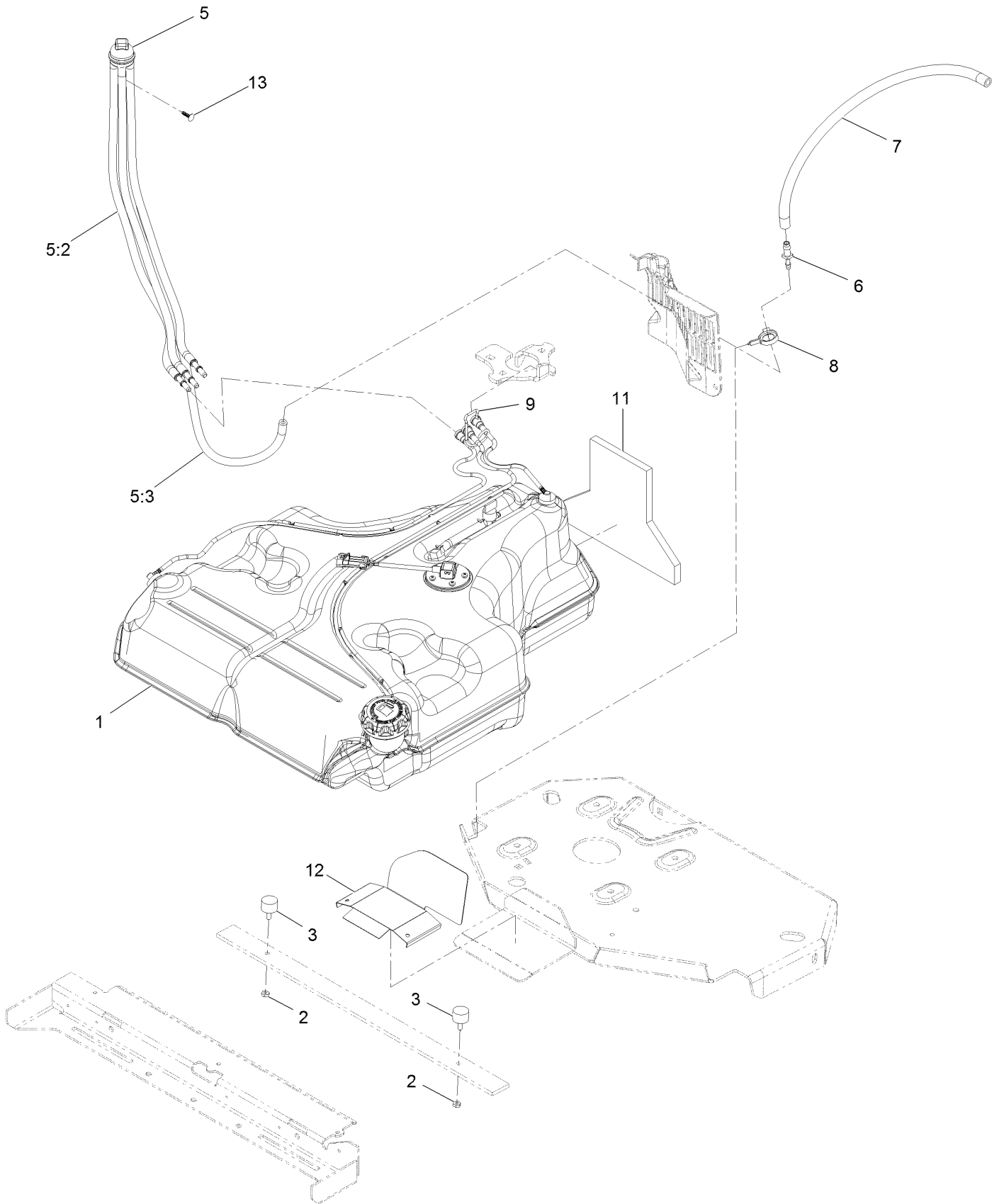


Seat Assembly (cont.) (continued)

<i>Ref.</i>	<i>Part Number</i>	<i>Qty.</i>	<i>Description</i>	<i>Ref.</i>	<i>Part Number</i>	<i>Qty.</i>	<i>Description</i>
2	116-8910	1	Seat Track Set	7	126-2061	1	Seat Belt Service Kit
3	116-8908	1	Cover-Back 311463Vn500	8	116-8906	1	Kit-Arm Rest Set
4	116-8909	1	Cover-Cushion 311464Vn500	9	116-8905	1	Kit-Arm Rest Pads
5	116-8911	1	Knob-Adjuster	10	82-2190	1	Switch
6	116-5659	1	Cover-Suspension Bellows	11	116-9329	4	Spacer
				12	126-9918-03	2	Stop, Seat ●

● Used on Diesel models only

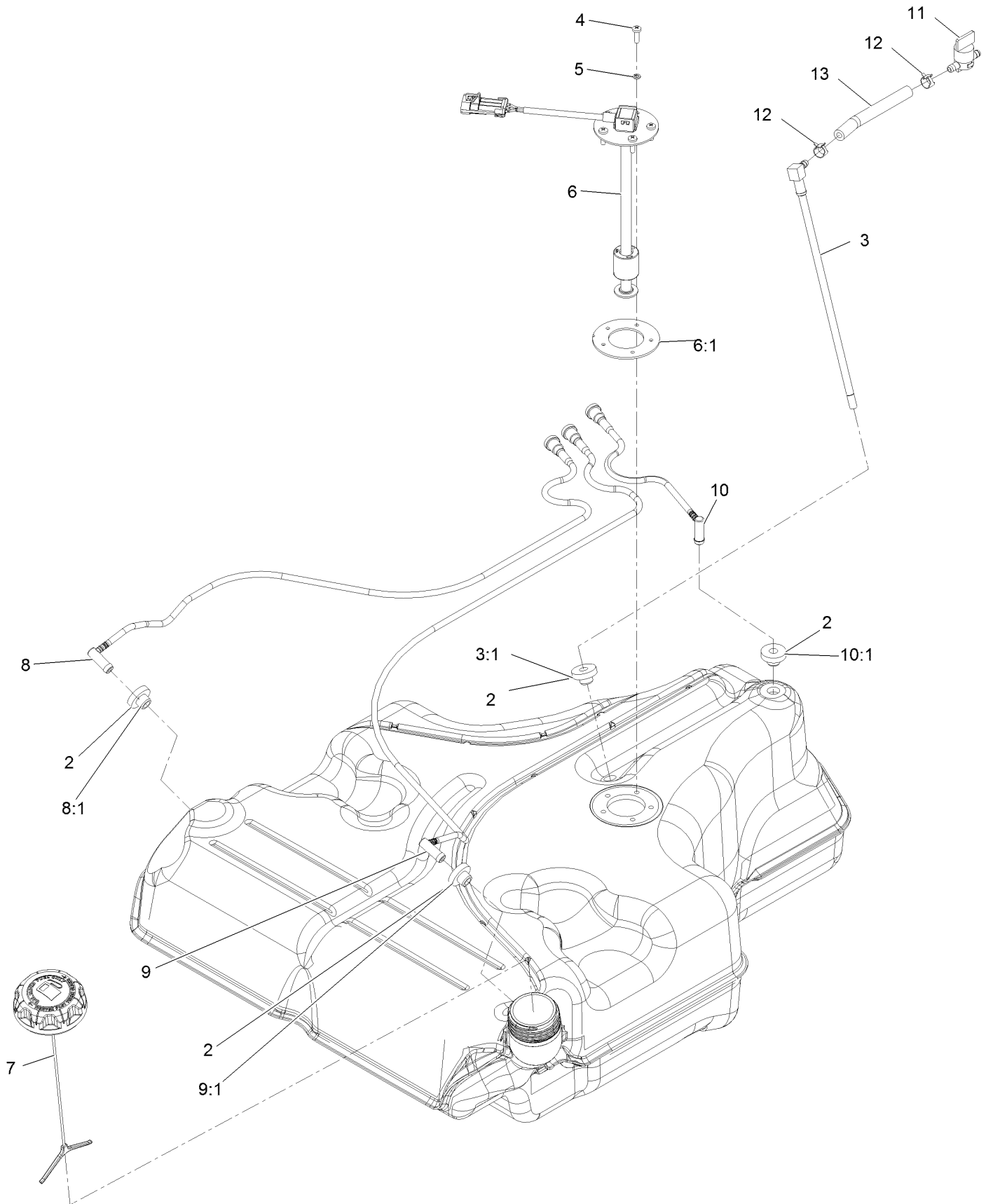
Fuel Tank Assembly



Fuel Tank Assembly (continued)

<i>Ref.</i>	<i>Part Number</i>	<i>Qty.</i>	<i>Description</i>	<i>Ref.</i>	<i>Part Number</i>	<i>Qty.</i>	<i>Description</i>
1	135-0643	1	Fuel Tank ASM	7	116-5087	1	Hose-Fuel
2	3218-1	2	Nut-Jam 1/4-20	8	105-1853	1	Clamp-Hose
3	1-523420	2	Bumper	9	116-6005	1	Retainer-Line, Vapor
5	127-0583	1	Fuel Manifold Vent ASM	11	126-0224	1	Insulation-Foam, Fuel Tank
5:2	109-0302	3	Hose-Fuel Line 24"	12	126-0032-01	1	Guard-Exhaust
5:3	108-5376	1	Hose-Fuel	13	125-8067	1	Plug-Plastic
6	116-5072	1	Fitting-Straight				

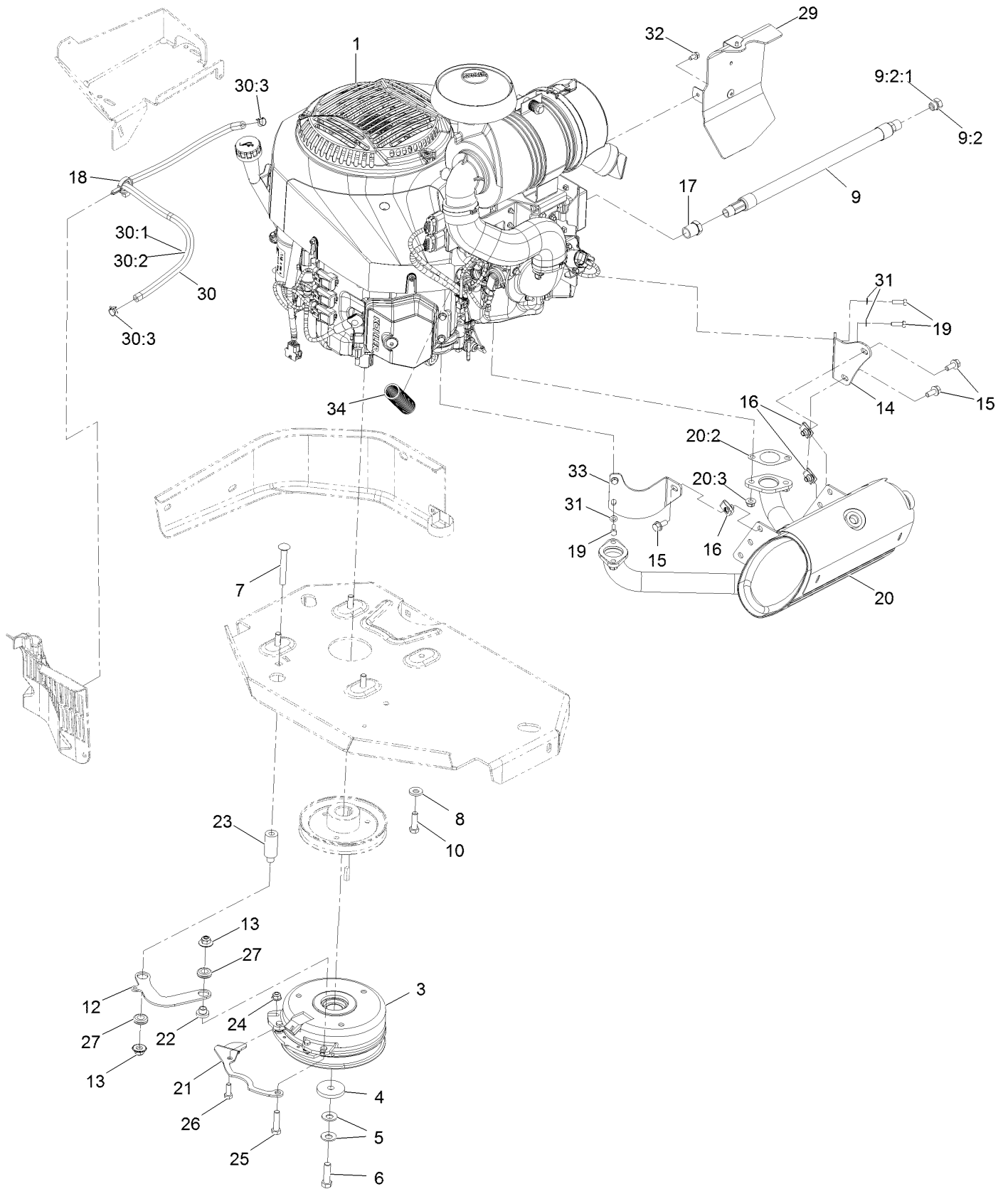
Fuel Tank Assembly



Fuel Tank Assembly (continued)

<i>Ref.</i>	<i>Part Number</i>	<i>Qty.</i>	<i>Description</i>	<i>Ref.</i>	<i>Part Number</i>	<i>Qty.</i>	<i>Description</i>
2	46-6560	4	Bushing	8:1	46-6560	1	Bushing
3	116-2459	1	Fuel Line Kit (With Grommet)	9	116-2461	1	LH Vent Line Kit (With Grommet)
3:1	46-6560	1	Bushing	9:1	46-6560	1	Bushing
4	3290-500	5	Screw-PPH	10	116-2462	1	Rear Vent Line Kit (With Grommet)
5	3253-17	5	Washer-Lock	10:1	46-6560	1	Bushing
6	126-3913	1	Float-Sender, Fuel	11	1-603770	1	Valve-Fuel
6:1	126-3950	1	Gasket-Sender	12	2412-98	2	Clamp-Hose
7	126-1789	1	Cap-Fuel, Ratcheting	13	109-0650	1	Hose-Fuel
8	116-2460	1	RH Vent Line Kit (With Grommet)				

Engine Assembly



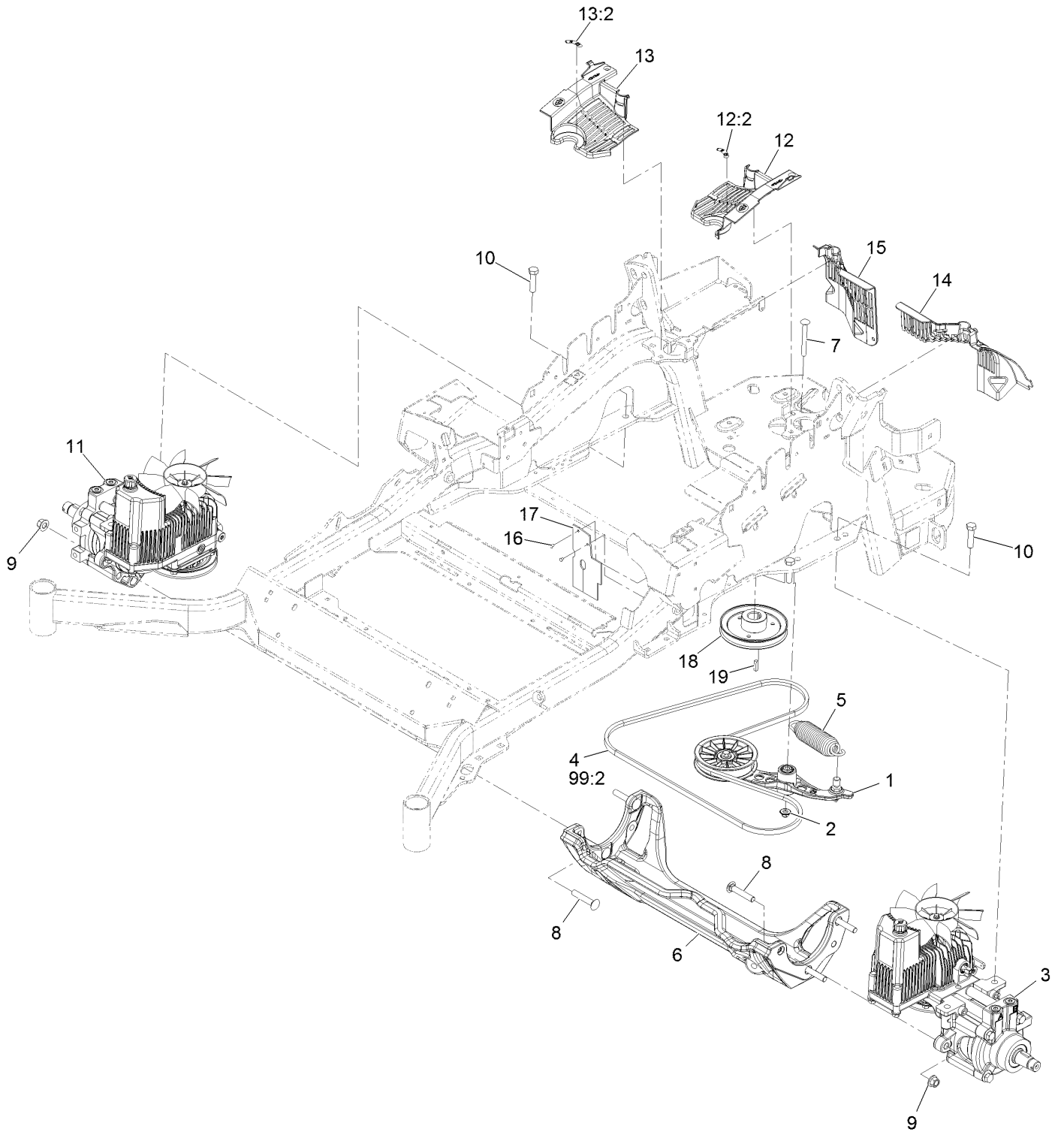
Engine Assembly (continued)

<i>Ref.</i>	<i>Part Number</i>	<i>Qty.</i>	<i>Description</i>	<i>Ref.</i>	<i>Part Number</i>	<i>Qty.</i>	<i>Description</i>
1		1	Engine-Kohler Ecv980-3015 ■	20	126-4645	1	Muffler-940-980 Koh Efi
3	116-1608	1	Clutch, Cms250	20	126-5423	1	Muffler Kit
3	126-4185	1	Clutch Kit	20:2	126-0359	2	Gasket-Exhaust
4	109-6919	1	Washer-Clutch	20:3	116-9626	4	Nut-Flange, Lock
5	1-603610	2	Washer-Spring Disc 7/16	21	116-3331-01	1	Belt-Guide
6	109-9761	1	Screw-HH 7/16-20 X 1 1/2 W/Loctite	22	116-3318	1	Spacer
7	3231-42	1	Bolt-Carriage 3/8-16 X 3	23	116-3319	1	Spacer
8	98-5975	4	Washer-Spring Disc 3/8	24	104-8300	1	Nut-Nyloc 5/16-18 Flg
9	116-5316	1	Oil Drain Hose ASM	25	323-8	1	Screw-HH 3/8-16 X 1 1/2
9:2	353-508	1	Plug-W/O-Ring ●	26	322-4	1	Screw-HH 5/16-18 X 7/8
9:2:1	237-42	1	O-Ring	27	93-5108	2	Grommet-Rubber
10	323-7	4	Screw-HH 3/8-16 X 1 1/4	29	126-5708	1	Rear Baffle ASM
12	116-3317-01	1	Link-Anchor, Clutch	30	126-0231	1	Fuel Line ASM
13	109-6658	2	Nut-Nyloc 3/8-16 Flg	30:1	109-0284	1	Hose-Fuel Line 29"
14	116-9048	1	Bracket-Muffler	30:2	126-0232	1	Sleeve, Thermal
15	3234-5	3	Screw-HH Flg 5/16-18 X 3/4	30:3	2412-98	2	Clamp-Hose
16	94-2413	3	Nut-U	31	1-303435	4	Washer-Spring Disc 1/4
17	103-1390	1	Bushing	32	104-2628	1	Screw-HWH M6-1 X 12Mm Tf
18	105-1853	1	Clamp-Hose	33	126-5620	1	Bracket-Muffler, Front
19	116-4295	4	Screw-HH M6-1 X 20Mm W/Patch	34	126-8136	1	Conduit-Convolved

● Torque to 24-26 ft-lb

■ Not serviced separately

Hydraulic Assembly

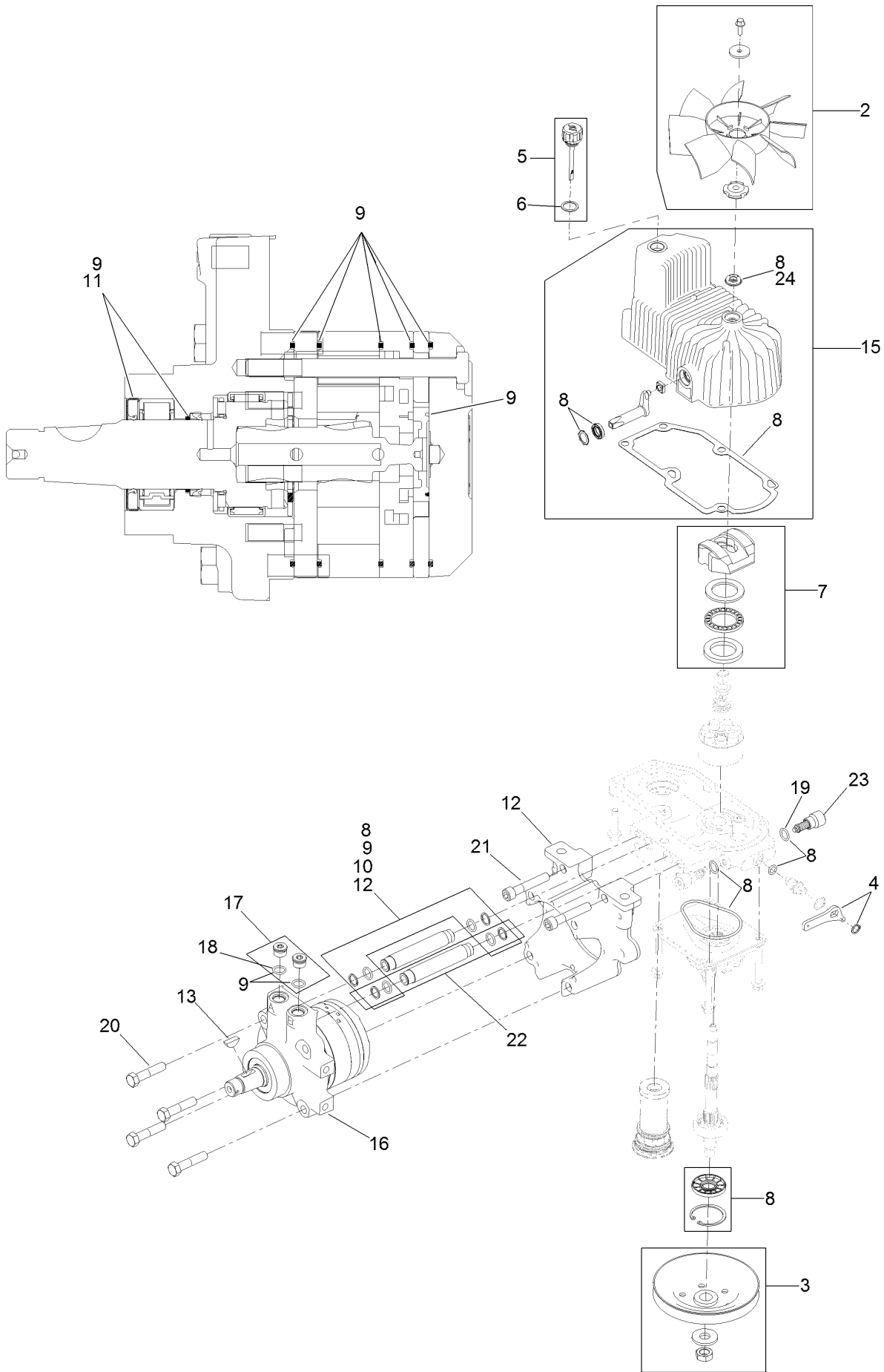


Hydraulic Assembly (continued)

<i>Ref.</i>	<i>Part Number</i>	<i>Qty.</i>	<i>Description</i>	<i>Ref.</i>	<i>Part Number</i>	<i>Qty.</i>	<i>Description</i>
1	116-1255	1	Pump Idler ASM	13	116-0171	1	RH Hydro Guard ASM
2	109-6658	1	Nut-Nyloc 3/8-16 Flg	13:2	116-8726	1	Decal-Oil, Hydro
3	126-1319	1	LH Hydro ASM (16Cc W/ Shock)	14	109-9709	1	Guard-Hydro Rear, LH Trim
4	109-3388	1	Belt	15	109-9058	1	Guard-Hydro, Rear (RH)
5	116-6317	1	Spring-Extension	16	1-803035	2	Rivet 3/16 X 1/4
6	116-7558	1	Cradle-Hydro	17	116-2362	1	Deflector-Air Flow
7	116-1502	1	Bolt-Carriage Shoulder 3/8-16 X 3 1/2	18	109-9905	1	Sheave
8	126-0095	6	Screw-CARR	19	1-807259	1	Key-Machine 1/4 X 1/4 X 1
9	99-5107	6	Nut-Lock 1/2-13	99	109-9828	1	Bottle-Oil, 32Oz Hydraulic ●
10	325-8	4	Screw-HH 1/2-13 X 1 1/4	99	116-0164	1	Filter-Hydro ●
11	126-1320	1	RH Hydro ASM (16Cc W/ Shock)	99	116-1218	1	Bottle,Oil 1 Gallon Hydraulic ●
12	116-0170	1	LH Hydro Guard ASM	99	116-3270	1	Kit, Hydro Service ●
12:2	116-8726	1	Decal-Oil, Hydro	99:1	109-9828	4	Bottle-Oil, 32Oz Hydraulic ●
				99:2	109-3388	1	Belt
				99:3	116-0164	2	Filter-Hydro ●

● Not illustrated

LH Hydro Assembly No. 126-1319

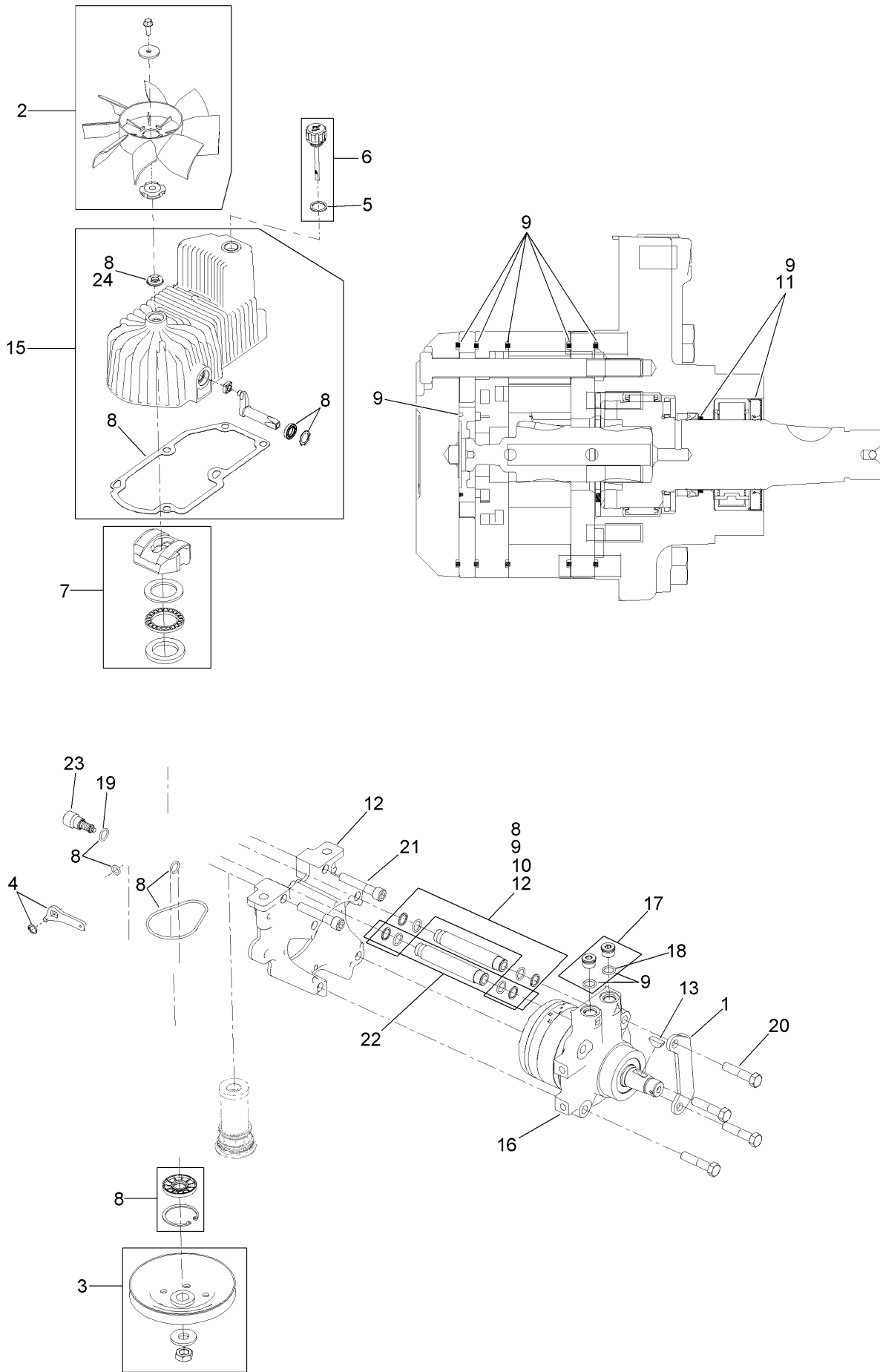


LH Hydro Assembly No. 126-1319 (continued)

<i>Ref.</i>	<i>Part Number</i>	<i>Qty.</i>	<i>Description</i>	<i>Ref.</i>	<i>Part Number</i>	<i>Qty.</i>	<i>Description</i>
2	116-0233	1	Fan Kit	13	3257-42	1	Key-Woodruff
3	116-0234	1	Pulley Kit	15	116-3287	1	Housing-LH
4	116-0235	1	Handle-Bypass Valve, Hydro	16	116-8917	1	Motor-Hydraulic, LH 280Cc
5	116-0236	1	Dipstick-Hydro W/Gasket	17	116-7901	1	Magnetic Plugs Service Kit
6	116-0237	1	Gasket-Dipstick, Hydro	18	76-1900	2	O-Ring
7	116-1367	1	Swash Block Kit	19	116-8662	2	O-Ring-Check Valve
8	116-1368	1	Pump Seal Kit	20	116-8974	4	Screw HH
9	116-1369	1	Motor Seal Kit	21	116-8975	2	Screw-HSH
10	116-1370	1	Tube Seal Kit	22	116-9922	2	Hydraulic Tube Kit
11	116-1371	1	Output Shaft Seal Kit	23	126-7467	2	Shock Valve, 16Cc Hydro
12	116-5469	1	Nose Cup-Uht	24	126-7711	1	Seal-Fan Drive
				99	116-1373	1	Flow Test Kit ●

● Not illustrated

RH Hydro Assembly No. 126-1320

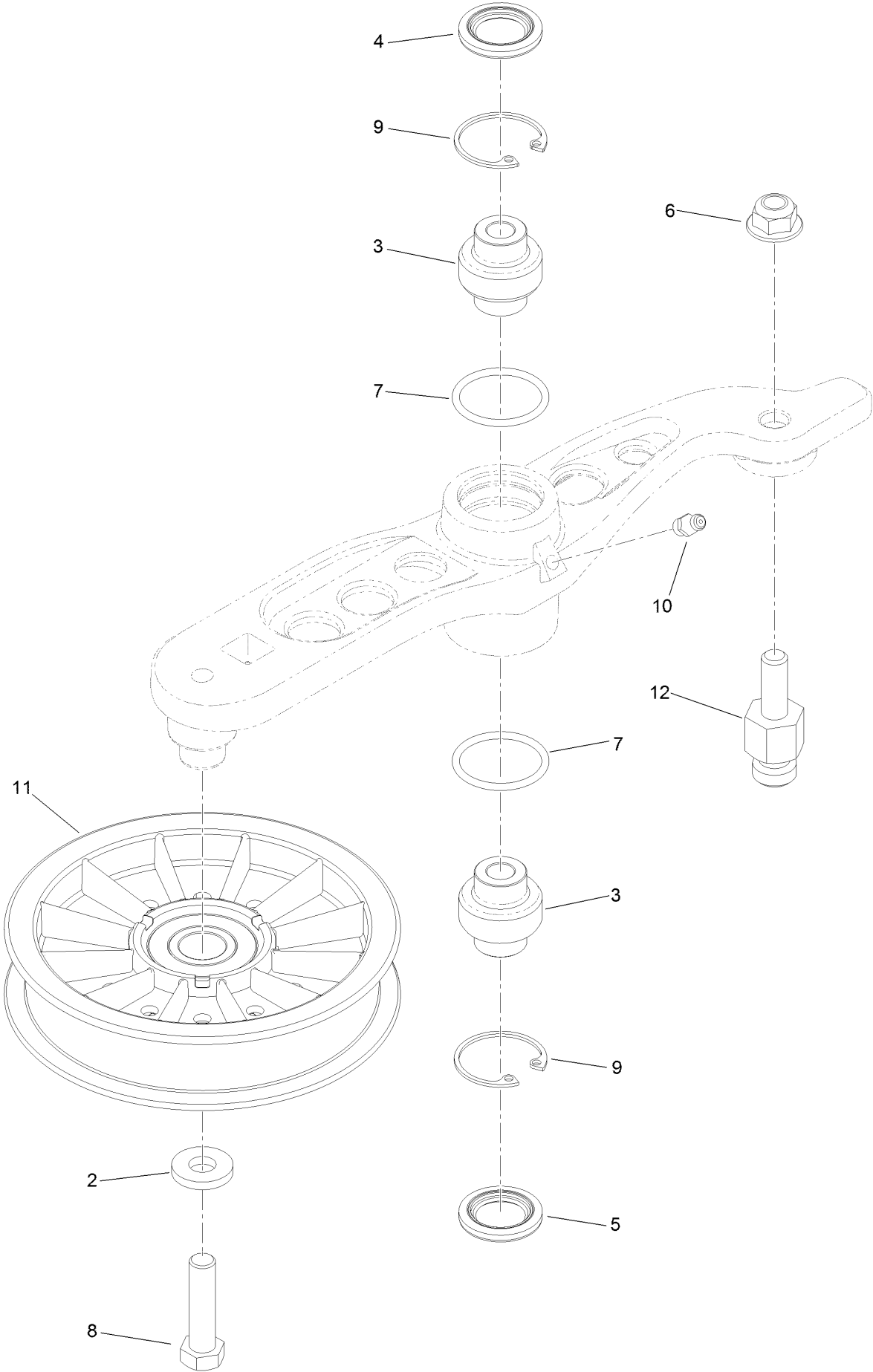


RH Hydro Assembly No. 126-1320 (continued)

<i>Ref.</i>	<i>Part Number</i>	<i>Qty.</i>	<i>Description</i>	<i>Ref.</i>	<i>Part Number</i>	<i>Qty.</i>	<i>Description</i>
1	116-9063	1	Mount-Shoe, Horse	13	3257-42	1	Key-Woodruff
2	116-0233	1	Fan Kit	15	116-3288	1	Housing-RH
3	116-0234	1	Pulley Kit	16	116-8918	1	Motor-Hydraulic, RH 280Cc
4	116-0235	1	Handle-Bypass Valve, Hydro	17	116-7901	1	Magnetic Plugs Service Kit
5	116-0237	1	Gasket-Dipstick, Hydro	18	76-1900	2	O-Ring
6	116-0236	1	Dipstick-Hydro W/Gasket	19	116-8662	2	O-Ring-Check Valve
7	116-1367	1	Swash Block Kit	20	116-8974	4	Screw HH
8	116-1368	1	Pump Seal Kit	21	116-8975	2	Screw-HSH
9	116-1369	1	Motor Seal Kit	22	116-9922	2	Hydraulic Tube Kit
10	116-1370	1	Tube Seal Kit	23	126-7467	2	Shock Valve, 16Cc Hydro
11	116-1371	1	Output Shaft Seal Kit	24	126-7711	1	Seal-Fan Drive
12	116-5469	1	Nose Cup-Uht	99	116-1373	1	Flow Test Kit ●
				99	116-4245	1	Puller-Pulley

● Not illustrated

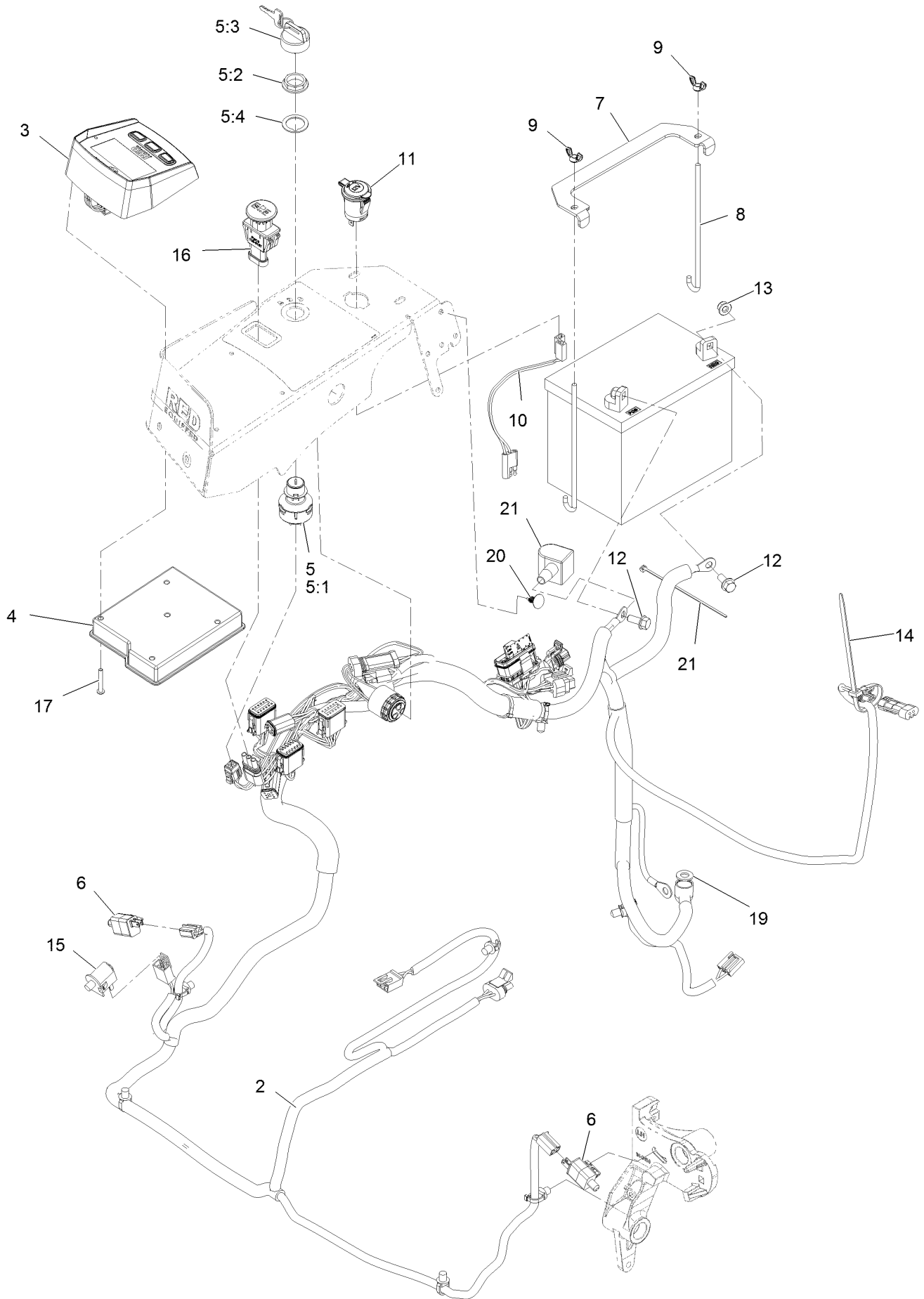
Pump Idler Assembly No. 116-1255



Pump Idler Assembly No. 116-1255 (continued)

<i>Ref.</i>	<i>Part Number</i>	<i>Qty.</i>	<i>Description</i>	<i>Ref.</i>	<i>Part Number</i>	<i>Qty.</i>	<i>Description</i>
2	43-0940	1	Spacer	8	323-8	1	Screw-HH
3	103-3504	2	Bearing-Spherical	9	32120-10	2	Ring-Snap
4	103-3505	1	Seal-Lip, Double	10	302-19	1	Fitting-Grease
5	103-3506	1	Seal-Lip, Single	11	109-8076	1	Pulley-Idler
6	109-6658	1	Nut-Flange, NI	12	132-4724	1	Pin-Anchor, Spring
7	106-7159	2	O-Ring				

Electrical Assembly

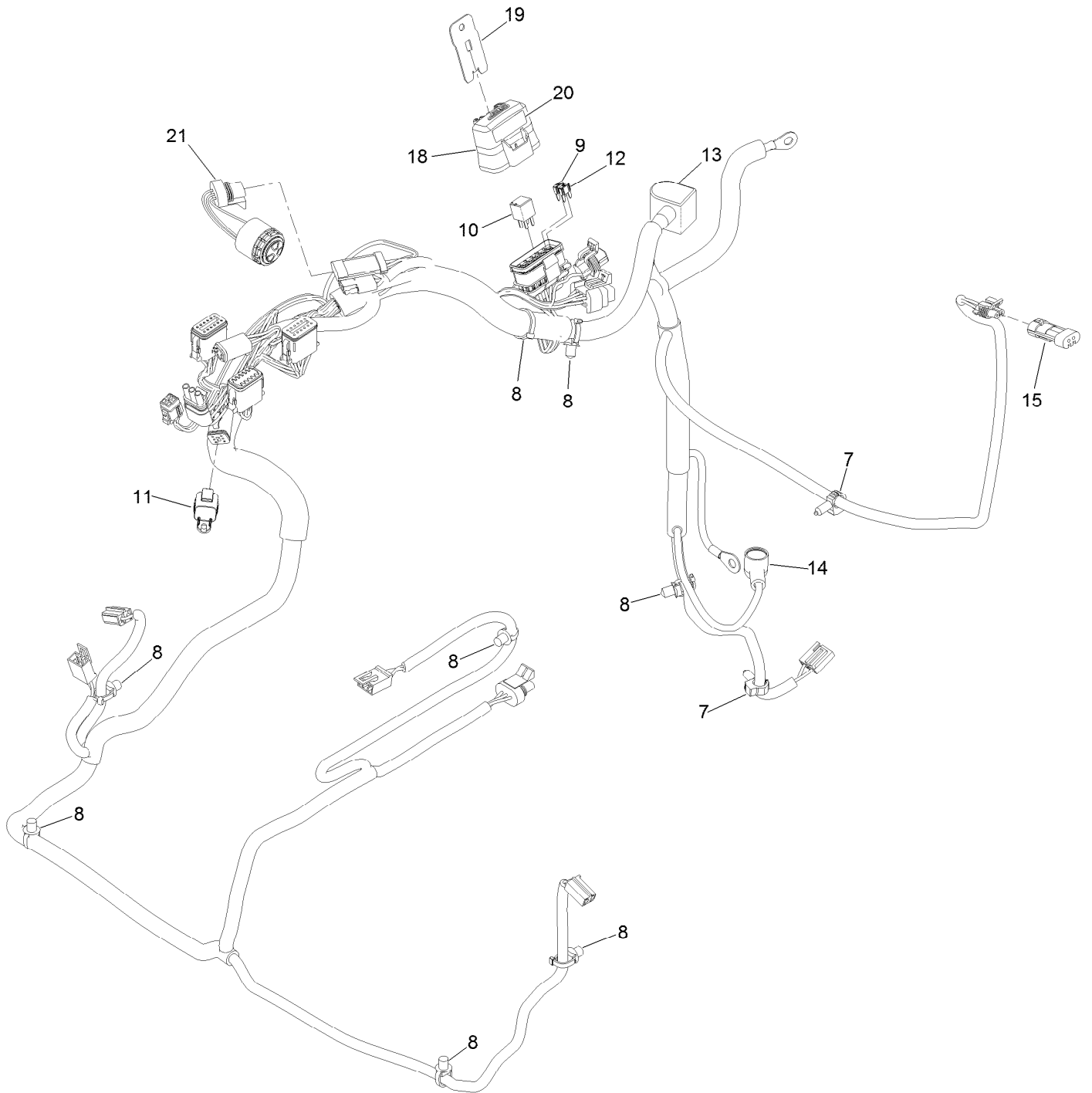


Electrical Assembly (continued)

<i>Ref.</i>	<i>Part Number</i>	<i>Qty.</i>	<i>Description</i>	<i>Ref.</i>	<i>Part Number</i>	<i>Qty.</i>	<i>Description</i>
2	135-3855	1	Harness-Wire	10	126-7290	1	Harness-Receptacle, 12V
3	126-4232	1	Module, Ldu	11	126-6499	1	Port-Power, 12V
4	135-3427	1	Module-Mcu	12	3234-5	2	Screw-HH Flg 5/16-18 X 3/4
5	126-6285	1	Ignition Switch ASM	13	104-8300	2	Nut-Nyloc 5/16-18 Flg
5:1		1	Switch-Ignition ●	14	1-303335	1	Tie-Cable 7 15/16 (Large)
5:2	108-8660	1	Nut-Mounting	15	82-2190	1	Switch
5:3	106-5270	1	Ignition Key Set	16	126-6187	1	Switch-PTO, Sealed
5:4	108-8659	1	Washer-Backup	17	126-5092	4	Screw-PPH
6	110-6765	2	Switch	19	3256-24	1	Washer-3/8 SAE
7	116-0042-03	1	Strap-Tie Down, Battery	20	117-2382	1	Plug-Plastic
8	1-633651	2	Bolt-Holddown	21	1-303287	1	Tie-Cable
9	1-543792	2	Wingnut-Nyloc 1/4-20				

● Not serviced separately

Wire Harness Assembly



Wire Harness Assembly (continued)

<i>Ref.</i>	<i>Part Number</i>	<i>Qty.</i>	<i>Description</i>	<i>Ref.</i>	<i>Part Number</i>	<i>Qty.</i>	<i>Description</i>
7	32180-037	2	Clip-Harness	14	1-543393	1	Insulator-Solenoid
8	32180-030	8	Clip-Tie	15	32160-070	1	Connector
9	121-8868	1	Fuse-Mini Blade, 20 Amp	18	32180-176	1	Cover-Block, Fuse
10	126-3991	1	Relay-Micro	19	32180-177	1	Clip-Mounting
11	32180-156	1	Cap-Plug, 6 Way	20	126-7875	1	Decal-Fuse
12	121-8867	1	Fuse-Mini Blade, 15 Amp	21	126-6286	1	Alarm-Dual Tone
13	126-8876	1	Insulator-Battery				

Notes:

Notes:

Notes:



MAXIMIZE THE PERFORMANCE OF YOUR EXMARK MACHINE.



EXMARK® PREMIUM ENGINE OIL

Exmark now offers a family of engine oil viscosities to perform well in any environment. Each viscosity has the same synthetic formulation to give you what you need in punishing conditions. We designed each grade to the highest quality, making it ideal even for diesel applications. Coupled with Exmark Premium Fuel Treatment, we have the performance products to make your machine hum.

EXMARK PREMIUM ENGINE OIL SAE 30/10W-30

- Meets zero shear requirements of a straight grade SAE 30 as well as the cold temp properties of a 10W-30.
- Most versatile oil in the industry.
- Superior corrosion protection over conventional oil - even in corrosive, humid environments.

EXMARK PREMIUM ENGINE OIL SAE 20W-50

- Perfect for your big block engine, or any application in severe service.
- Same full synthetic formulation as all other Exmark Premium viscosities.
- Also effective for use in severe service small block engines.

EXMARK PREMIUM ENGINE OIL SAE 10W-50

- Full synthetic formulation gives you peak performance. Don't settle for less.
- Wide span multi-grade combines easy starting in cold weather with maximum protection in high temperature operation.
- Reduce friction & wear over standard mineral formulations.

EXMARK PREMIUM ENGINE OIL SAE 0W-40

- The perfect choice for when the weather turns cold or unpredictable, and your Exmark UTV has to perform.
- Commercial quality for severe service.
- Advanced additive package helps prevent corrosion from long-term storage.

EXMARK PREMIUM ENGINE OIL UTV FORMULATION

- 4-cycle high-temp formulation.
- Heavier viscosity, full synthetic, perfect for your UTV.

EXMARK PREMIUM UTV EXTREME CONDITIONS GEAR OIL

- SAE 80W-90, designed to keep your UTV performing at its peak.
- Shear stable, hypoid gear lube.
- Includes a premium additive system to combat wear, oxidation, rust & corrosion.

Available from your local Exmark dealer. Find your closest dealer at exmark.com

EXMARK ACCESSORIES AND OPTIONS*

MID-MOUNT RIDING ACCESSORIES AND OPTIONS

CUSTOM RIDE SEAT SUSPENSION SYSTEM	OPERATOR CONTROLLED DISCHARGE
FULL SUSPENSION SEAT	SUN SHADE
DECK LIFT ASSIST KIT	TRASH CONTAINER
HITCH KIT	TURF STRIPER
LIGHT KIT	ULTRA VAC COLLECTION SYSTEM
12V POWER PORT	ULTRA VAC QUICK DISPOSAL SYSTEM
MICRO-MULCH SYSTEM	

OUT-FRONT RIDING ACCESSORIES AND OPTIONS

CUSTOM RIDE SEAT SUSPENSION SYSTEM	SNOW BLADE
DUAL-TAIL WHEEL	SNOWBLOWER
FLOOR PAN EXTENDER	SUN SHADE
HITCH KIT	TRASH CONTAINER
LIGHT KIT	ULTRA VAC COLLECTION SYSTEM
MICRO-MULCH SYSTEM	ULTRA VAC QUICK DISPOSAL SYSTEM
ROLL OVER PROTECTION SYSTEM (ROPS)	WEATHER CAB

WALK-BEHIND ACCESSORIES AND OPTIONS

GRASS CATCHER	TURF STRIPER
MICRO-MULCH SYSTEM	STANDON

*Some accessories and options not available for some models.

Place Model No. and Serial No.
Label Here (Included in the Literature
Pack) or Fill in Below

Model No. _____

Serial No. _____

Date Purchased _____

Engine Model No. and Spec. No. _____

Engine Serial No. (E/No) _____

© 2018 Exmark Mfg. Co., Inc.
2101 Ashland Ave
Beatrice, NE 68310
All Rights Reserved

Part No. 4503-628 Rev. A
(402) 223-6375
Fax (402) 223-5489
Printed in the USA.

