



LAZER Z[®] X-SERIES

Model No. LZX801GKA60600—Serial No. 402082300 and Up

Picture below may not reflect actual product.



Parts Manual

Part No. 4503-576 Rev. A

Ordering Replacement Parts

To order replacement parts, please supply the part number, the quantity, and the description of each part desired.

Understanding Reference Numbers

Each identified part in an illustration has a reference number. The reference number for a part also appears in the parts list, along with other information about the part.

This catalog uses two special reference number formats, one to indicate parts in a service assembly and another to indicate the quantity of a given part in an illustration.

Service Assembly Reference Numbers

Parts in service assemblies have reference numbers in the form a:b. The a represents the reference number of the entire service assembly and the b represents a sequential number unique to each part within the service assembly.

For example, a wheel assembly might be identified by reference number 6, the tire by 6:1, the valve by 6:2, and the wheel by 6:3. When you order the assembly identified by reference number 6, you receive all parts identified by reference numbers 6:1, 6:2, and 6:3. However, you may also order any part individually. Reference numbers of this type appear in illustration and in parts lists.

Reference Numbers Indicating Quantity

In an illustration, if a reference number indicates more than one part, the reference number has the form nX y. The n represents the quantity of the part, the X is the multiplication symbol, and the y represents the reference number.

For example, in an illustration, the reference number 2X 37 means that two of the parts identified by reference number 37 are indicated.

Touch Up Paint

Exmark black touch up spray paint – gloss black.

Exmark red touch up paint (spray paint – P/N 1-850337 - .6 oz liquid bottle – P/N 103-9140).

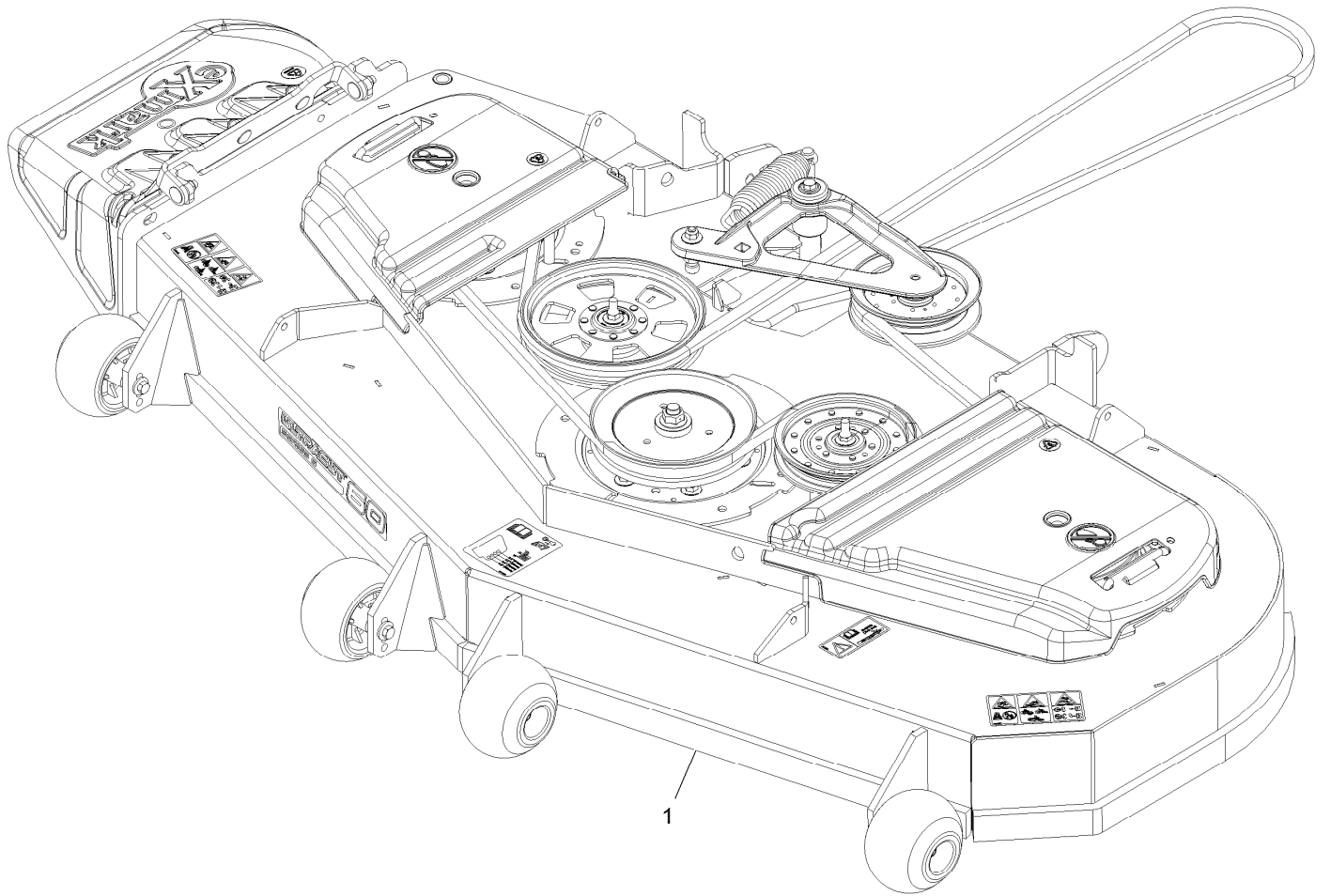


If your Exmark dealer does not have the Exmark part in stock, Exmark will get the parts to the dealer the next business day or the part will be FREE Guaranteed!! (Some restrictions apply. See your participating Exmark Dealer for details.)

Contents

| | |
|---|----|
| Complete Deck Assembly | 4 |
| Deck Assembly | 6 |
| Deck W/Decals Assembly No. 116-4232 | 8 |
| Idler Assembly | 10 |
| Cutter Housing Assembly No. 103-9539 | 12 |
| Main Frame Assembly | 14 |
| X-Series Decal | 16 |
| Roll-Over Protection System | 18 |
| Roll-Over Protection System Assembly No. 116-0230 | 20 |
| Front Caster and Fork Assembly | 22 |
| Caster Wheel and Fork Assembly | 24 |
| Deck Lift Assembly | 26 |
| Height-of-Cut Assembly No. 109-7438 | 28 |
| Rear Wheel Assembly | 30 |
| Park Brake Assembly | 32 |
| Console Assembly | 34 |
| Motion Control Assembly | 36 |
| Seat Assembly | 38 |
| Seat Assembly (cont.) | 40 |
| Fuel System Assembly | 42 |
| Fuel Tank Assembly | 44 |
| Engine Assembly | 46 |
| Hydraulic Assembly | 48 |
| LH Hydro Assembly No. 126-1325 | 50 |
| RH Hydro Assembly No. 126-1326 | 52 |
| Pump Idler Assembly No. 116-1255 | 54 |
| Electrical Assembly | 56 |

Complete Deck Assembly

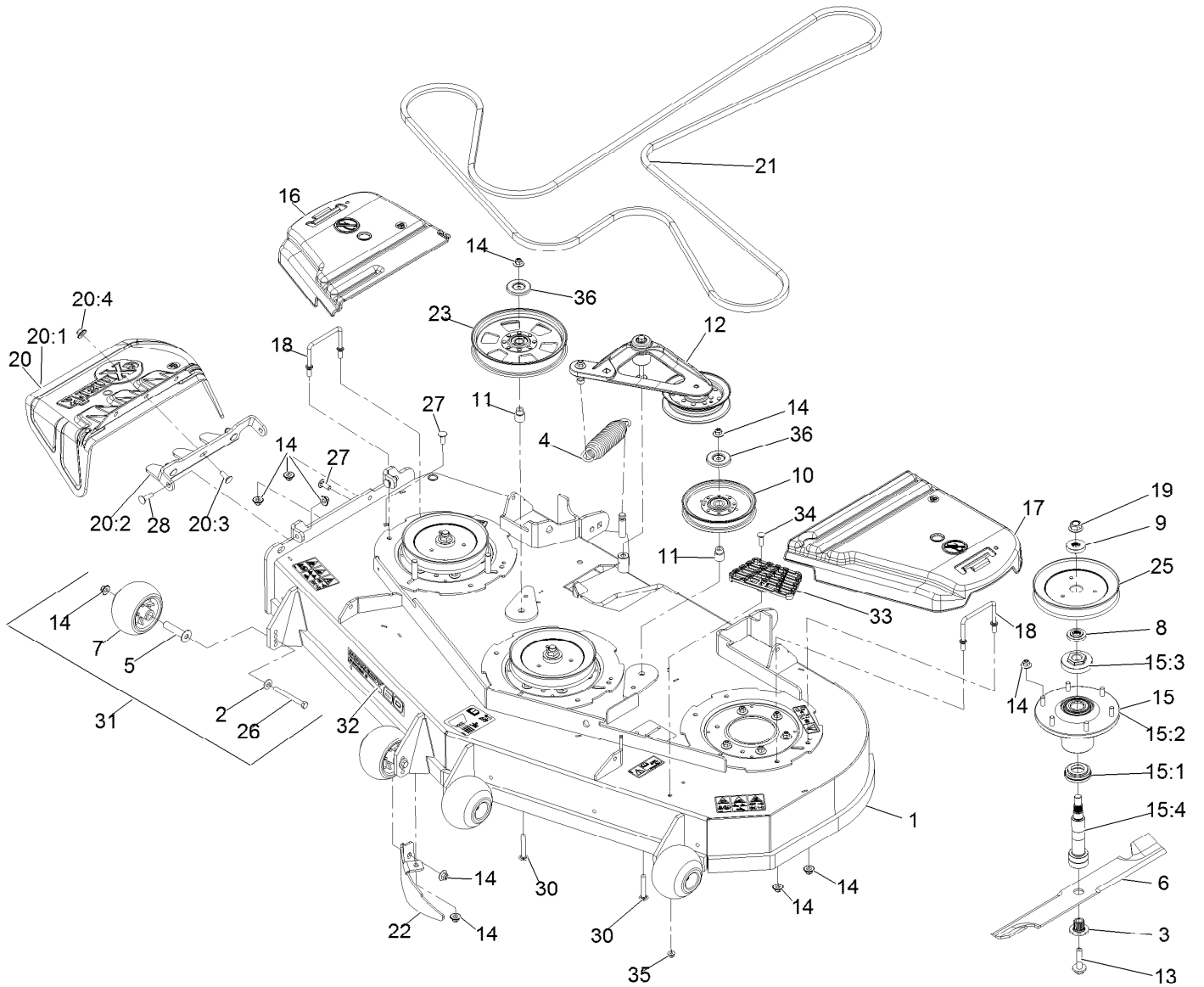


1

Complete Deck Assembly (continued)

| <i>Ref.</i> | <i>Part Number</i> | <i>Qty.</i> | <i>Description</i> |
|-------------|--------------------|-------------|-----------------------|
| 1 | 109-9647 | 1 | ASM,Deck Complete 606 |

Deck Assembly



Deck Assembly (continued)

| Ref. | Part Number | Qty. | Description | Ref. | Part Number | Qty. | Description |
|------|-------------|------|-------------------------------|------|-------------|------|-----------------------------------|
| 1 | 116-4232 | 1 | Deck ASM,W/Decals 60 | 17 | 109-6938 | 1 | Cover-Belt, LH |
| 2 | 98-5975 | 4 | Washer-Spring Disc 3/8 | 18 | 109-6982 | 2 | Wireform-Cover |
| 3 | 103-3037 | 3 | Bushing, Splined | 19 | 109-7033 | 3 | Nut-Flange 5/8-18 Centerlock ▲ |
| 4 | 116-6317 | 1 | Spring-Extension | 20 | 109-7188 | 1 | ASM,Discharge Chute |
| 5 | 116-8131 | 4 | Axle, Roller | 20:1 | 109-2738 | 1 | Chute, Discharge |
| 6 | 103-6383 | 3 | Blade, Solid ● | 20:2 | 109-8675-01 | 1 | Bracket,Discharge Chute |
| 6 | 103-6388 | 3 | Blade, Low Lift ● | 20:3 | 3231-22 | 3 | Bolt-Carriage 3/8-16 X 1 |
| 6 | 103-6393 | 3 | Blade, Mulching □ | 20:4 | 109-6658 | 3 | Nut-Nyloc 3/8-16 Flg |
| 6 | 103-6403 | 3 | Blade, Notched | 21 | 109-8073 | 1 | Belt,V-5V-198.75 |
| 6 | 116-5174 | 3 | Blade-Extreme 2, 20.50" ● | 22 | 116-5614-01 | 1 | Dogleg - Lz60 |
| 7 | 103-8415 | 4 | Roller-Anti-Scalp | 23 | 116-9639 | 1 | Pulley-Idler, Flat |
| 8 | 103-9522 | 3 | Spacer, Splined Stepped | 25 | 109-9511 | 3 | Sheave,Blade Drive 7.25 |
| 9 | 103-9523 | 3 | Spacer, Splined | 26 | 116-9362 | 4 | Screw-HH 3/8-16 X 3 3/4 GR 8 |
| 10 | 126-7685 | 1 | Idler-Pulley | 27 | 3231-22 | 2 | Bolt-Carriage 3/8-16 X 1 |
| 11 | 1-633456 | 2 | Bushing, Idler | 28 | 3231-28 | 2 | Bolt-Carriage 3/8-16 X 1 1/4 |
| 12 | 116-3755 | 1 | Deck Idler ASM | 30 | 3231-44 | 2 | Bolt-Carriage 3/8-16 X 2 1/2 |
| 13 | 109-9220 | 3 | Screw-Sems 1/2-20 X 2.19 ■ | 31 | 116-9981 | 4 | Kit, Anti-Scalp Roller |
| 14 | 109-6658 | 32 | Nut-Nyloc 3/8-16 Flg | 32 | 126-6592 | 1 | Decal, 606 |
| 15 | 109-6917 | 3 | ASM,Spindle Housing | 33 | 126-4781-03 | 1 | Step-Deck |
| 15:1 | 103-9504 | 1 | Guard, Bottom | 34 | 3230-3 | 1 | Bolt-Carriage 5/16-18 X 1 1/4 |
| 15:2 | 103-9539 | 1 | Asm, Cutter Housing | 35 | 104-8300 | 1 | Nut-Nyloc 5/16-18 Flg |
| 15:3 | 109-0916 | 1 | Nut, Spindle 7/8-14 ◆ | 36 | 126-8043 | 2 | Shield-Dust |
| 15:4 | 109-6881 | 1 | Spindle,Double Spline ○ | | | | |
| 16 | 116-0094 | 1 | Cover-Belt, RH | | | | |

● Optional Equipment

▲ Torque to 90-110 ft-lb

□ Requires installation of mulch kit for proper mulching. See your Exmark dealer for details.

○ Apply Mobil HTS grease (P/N 103-5217 1.5 oz packet) (or a food-grade anti-seize). See operator s manual for locations.

▶ Apply lubricant to threads as needed to prevent seizing. Copper based anti-seize preferable. Grease is an acceptable substitute.

■ Torque to 55-60 ft-lb

◆ Torque to 160-185 ft-lb

Deck W/Decals Assembly No. 116-4232



Deck W/Decals Assembly No. 116-4232 (continued)

| <i>Ref.</i> | <i>Part Number</i> | <i>Qty.</i> | <i>Description</i> | <i>Ref.</i> | <i>Part Number</i> | <i>Qty.</i> | <i>Description</i> |
|-------------|--------------------|-------------|--------------------------------|-------------|--------------------|-------------|----------------------------------|
| 3 | 126-6464 | 2 | Decal-Danger Thrown Objects | 8 | 116-3755 | 1 | Deck Idler ASM |
| 4 | 109-6036 | 1 | Decal-Roller, Anti-Scalp | 9 | 126-4781-03 | 1 | Step-Deck |
| 5 | 112-9028 | 2 | Decal-Cover, Missing | 10 | 3230-3 | 1 | Bolt-Carriage 5/16-18 X 1 1/4 |
| 6 | 116-8283 | 1 | Decal-Bolt Torque | 11 | 104-8300 | 1 | Nut-Nyloc 5/16-18 Flg |
| 7 | 116-8727 | 1 | Decal-Belt Routing | | | | |

Idler Assembly



Idler Assembly (continued)

| <i>Ref.</i> | <i>Part Number</i> | <i>Qty.</i> | <i>Description</i> | <i>Ref.</i> | <i>Part Number</i> | <i>Qty.</i> | <i>Description</i> |
|-------------|--------------------|-------------|--------------------|-------------|--------------------|-------------|--------------------|
| 1 | 43-0940 | 1 | Spacer | 9 | 126-0423 | 1 | Pin-Spring, Anchor |
| 2 | 103-2916 | 1 | Guard-Top | 10 | 109-6658 | 2 | Nut-Flange, NI |
| 3 | 103-3504 | 2 | Bearing-Spherical | 11 | 109-7409 | 1 | Screw-Shoulder, HH |
| 4 | 103-3505 | 1 | Seal-Lip, Double | 12 | 323-8 | 1 | Screw-HH |
| 5 | 103-3506 | 1 | Seal-Lip, Single | 13 | 32120-10 | 2 | Ring-Snap |
| 6 | 126-9196 | 1 | Idler-Pulley, Flat | 14 | 302-19 | 1 | Fitting-Grease |
| 7 | 106-7159 | 2 | O-Ring | 15 | 126-9195 | 1 | Shield-Guard, Dust |

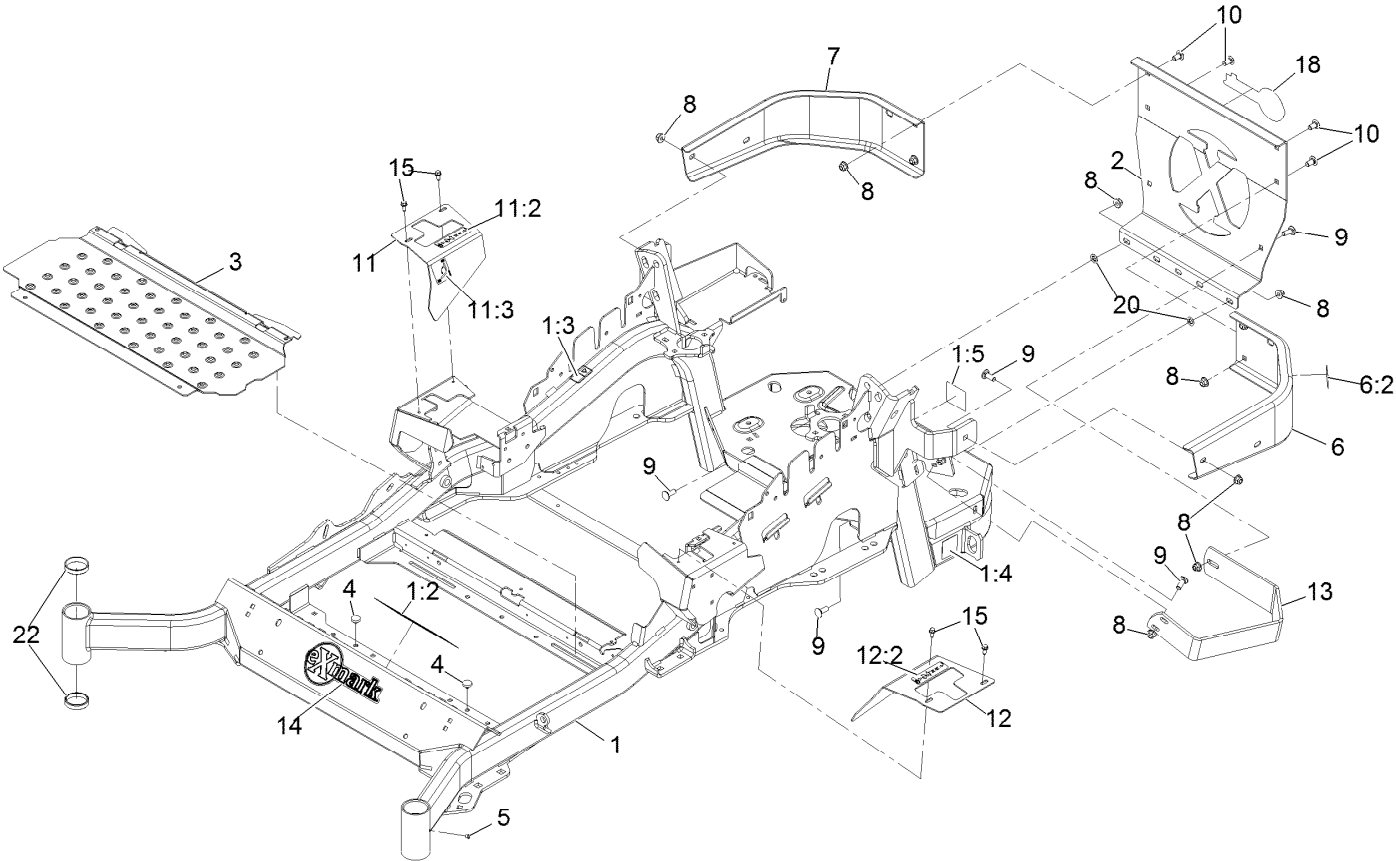
Cutter Housing Assembly No. 103-9539



Cutter Housing Assembly No. 103-9539 (continued)

| <i>Ref.</i> | <i>Part Number</i> | <i>Qty.</i> | <i>Description</i> | <i>Ref.</i> | <i>Part Number</i> | <i>Qty.</i> | <i>Description</i> |
|-------------|--------------------|-------------|------------------------|-------------|--------------------|-------------|----------------------|
| 1 | 92-5581 | 1 | Ring-Retaining | 4 | 103-9506 | 1 | Spacer, Bearing |
| 2 | 109-2064 | 1 | Asm, Bearing W/O-Rings | 5 | 109-0764 | 1 | Asm, Housing W/Studs |
| 3 | 103-5895 | 4 | O-Ring | | | | |

Main Frame Assembly



Main Frame Assembly (continued)

| <i>Ref.</i> | <i>Part Number</i> | <i>Qty.</i> | <i>Description</i> | <i>Ref.</i> | <i>Part Number</i> | <i>Qty.</i> | <i>Description</i> |
|-------------|--------------------|-------------|------------------------------|-------------|--------------------|-------------|-----------------------------|
| 1 | 116-5902 | 1 | Mainframe ASM | 10 | 3231-21 | 4 | Bolt-Carriage 3/8-16 X 3/4 |
| 1:2 | 132-0871 | 1 | Decal-Danger | 11 | 116-5899 | 1 | RH Motion Control Cover ASM |
| 1:3 | 106-5517 | 2 | Decal-Warning | 11:2 | 99-8936 | 1 | Decal-Control, Motion |
| 1:4 | 106-2655 | 2 | Decal-Hazard, Pinched Finger | 11:3 | 116-5988 | 1 | Decal-Park Brake, CE |
| 1:5 | 116-4858 | 1 | Decal-Spark Arrester | 12 | 116-0580 | 1 | LH Motion Control Cover ASM |
| 2 | 109-8863-03 | 1 | Plate,Rear Guard | 12:2 | 99-8936 | 1 | Decal-Control, Motion |
| 3 | 116-8898-01 | 1 | Floorpan | 13 | 126-2067-03 | 1 | Guard-Muffler |
| 4 | 1-513658 | 2 | Bumper | 14 | 135-2274 | 1 | Decal-Exmark |
| 5 | 1-811010 | 2 | Plug | 15 | 32144-10 | 4 | Screw-HWH 1/4-20 X .62 |
| 6 | 116-0180 | 1 | LH Bumper ASM | 18 | 126-6965 | 1 | Decal-Exmark Logo |
| 6:2 | 106-5517 | 1 | Decal-Warning | 20 | 107-3154 | 2 | Nut-Push 3/8-16 |
| 7 | 116-0057-03 | 1 | Bumper-RH | 22 | 1-543508 | 4 | Cup-Bearing Tapered Roller |
| 8 | 104-8301 | 11 | Nut-Nyloc 3/8-16 Flg | | | | |
| 9 | 3231-22 | 7 | Bolt-Carriage 3/8-16 X 1 | | | | |

X-Series Decal



X-Series Decal (continued)

| <i>Ref.</i> | <i>Part Number</i> | <i>Qty.</i> | <i>Description</i> |
|-------------|--------------------|-------------|--------------------|
| 1 | 126-6573 | 2 | Decal-X-Series |

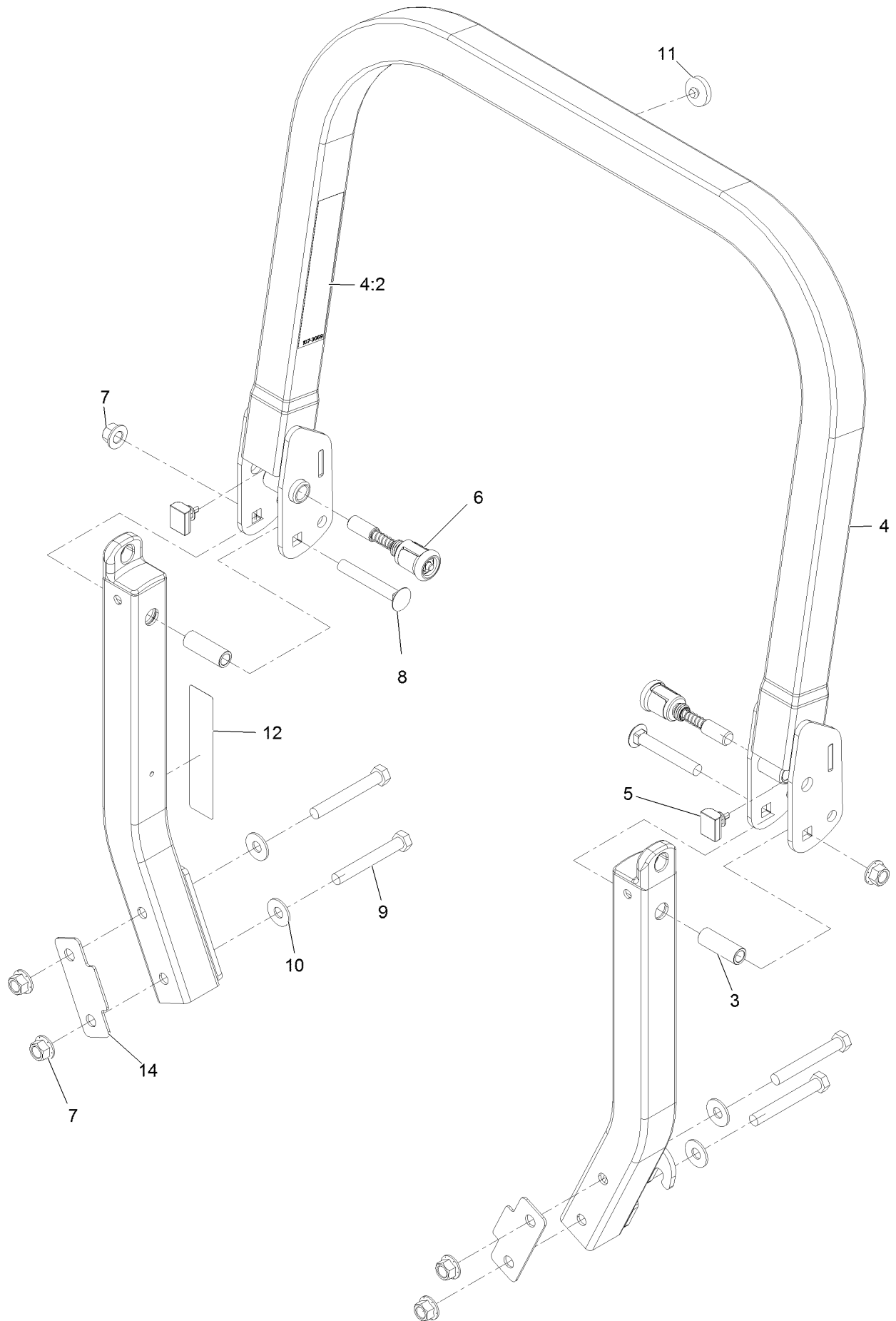
Roll-Over Protection System



Roll-Over Protection System (continued)

| <i>Ref.</i> | <i>Part Number</i> | <i>Qty.</i> | <i>Description</i> |
|-------------|--------------------|-------------|-------------------------|
| 1 | 116-0230 | 1 | ASM,ROPS Service Exmark |

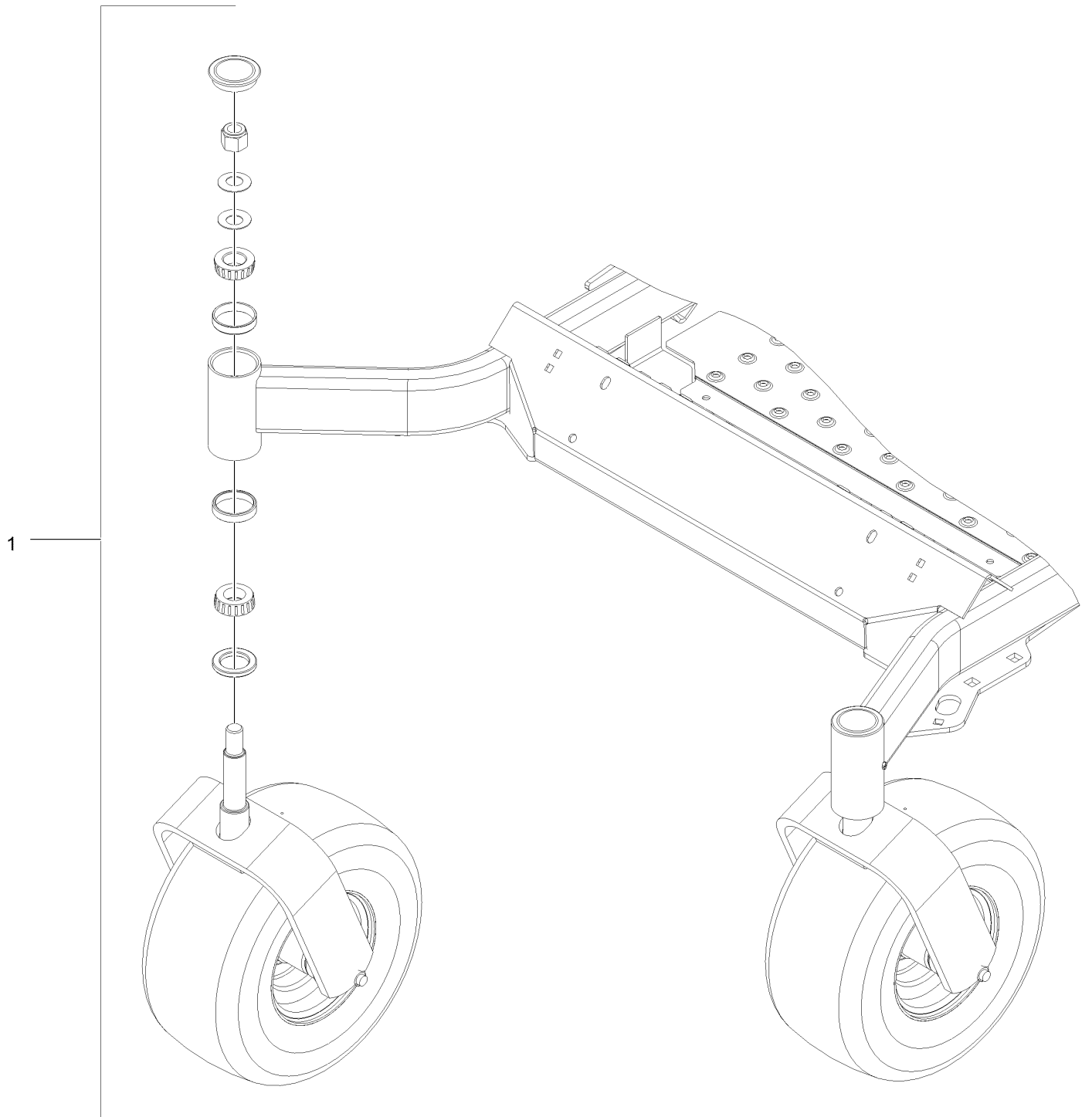
Roll-Over Protection System Assembly No. 116-0230



Roll-Over Protection System Assembly No. 116-0230 (continued)

| <i>Ref.</i> | <i>Part Number</i> | <i>Qty.</i> | <i>Description</i> | <i>Ref.</i> | <i>Part Number</i> | <i>Qty.</i> | <i>Description</i> |
|-------------|--------------------|-------------|--------------------|-------------|--------------------|-------------|------------------------------|
| 3 | 109-6653 | 2 | Spacer | 8 | 3233-10 | 2 | Bolt-Carriage 1/2-13 X 3 1/2 |
| 4 | 116-0019 | 1 | Upper ROPS ASM | 9 | 325-35 | 4 | Screw-HH |
| 4:2 | 107-3069 | 1 | Decal-Warning | 10 | 109-9505 | 4 | Washer, Spring Disc 1/2 |
| 5 | 109-5337 | 2 | Bumper-ROPS | 11 | 109-9233 | 1 | Bumper-Push-In, Rubber |
| 6 | 116-0104 | 2 | Pin-Spring | 12 | 117-0346 | 1 | Decal-Caution, Fuel Vent |
| 7 | 99-5107 | 6 | Nut-Lock 1/2-13 | 14 | 116-0960 | 2 | Spacer |

Front Caster and Fork Assembly

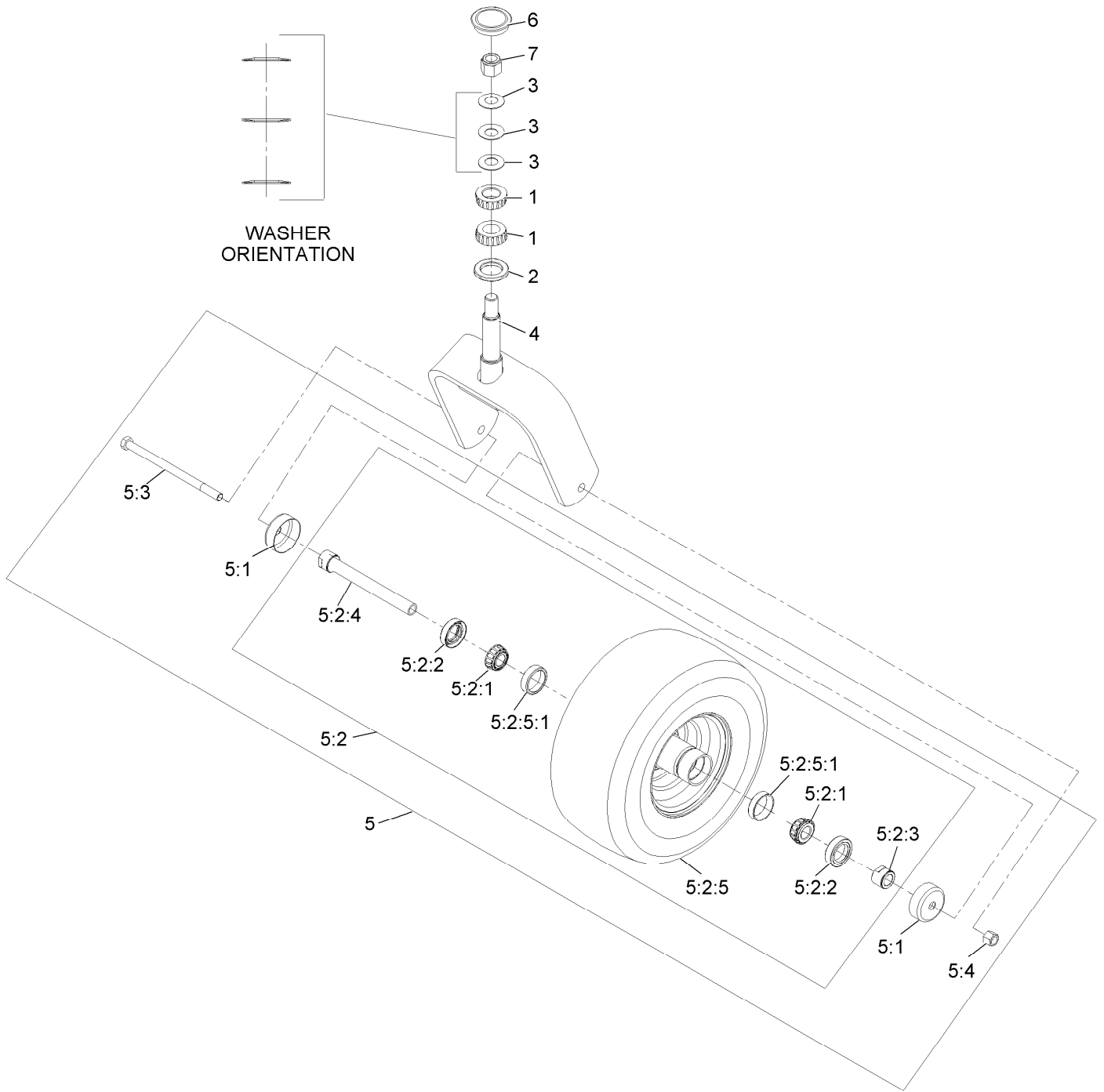


Front Caster and Fork Assembly (continued)

| <i>Ref.</i> | <i>Part Number</i> | <i>Qty.</i> | <i>Description</i> |
|-------------|--------------------|-------------|--------------------|
| 1 | | 2 | Caster Wheel ASM ● |

● Not serviced separately

Caster Wheel and Fork Assembly



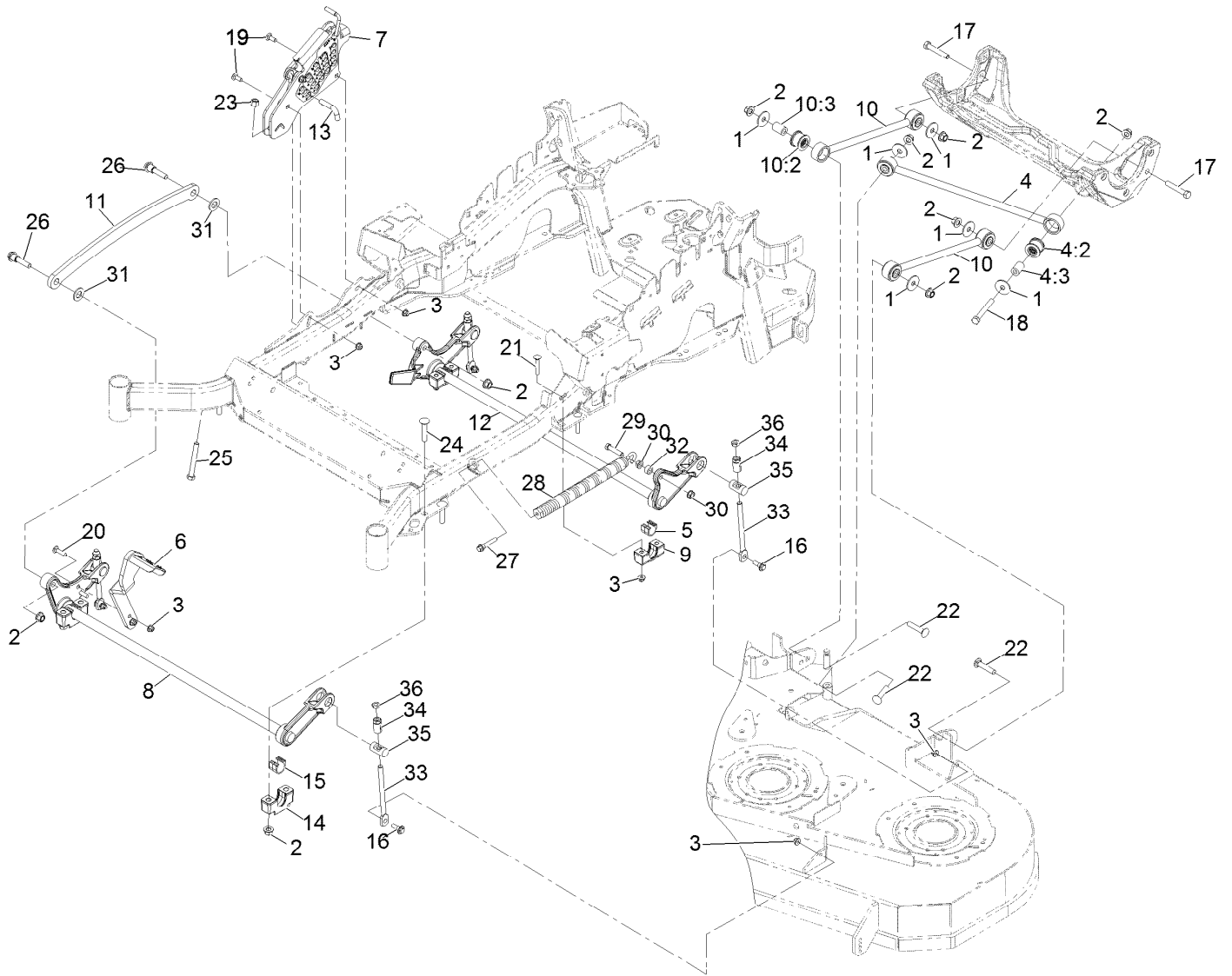
Caster Wheel and Fork Assembly (continued)

| <i>Ref.</i> | <i>Part Number</i> | <i>Qty.</i> | <i>Description</i> | <i>Ref.</i> | <i>Part Number</i> | <i>Qty.</i> | <i>Description</i> |
|-------------|--------------------|-------------|-------------------------|-------------|--------------------|-------------|----------------------|
| 1 | 1-543509 | 2 | Bearing-Roller, Tapered | 5:2:3 | 103-3051 | 1 | Spacer-Nut ■ |
| 2 | 116-5647 | 1 | Seal-Grease | 5:2:4 | 126-5361 | 1 | Axle Caster ASM |
| 3 | 1-633508 | 3 | Washer-Bellville | 5:2:5 | | 1 | Wheel And Tire ASM ● |
| 4 | 116-6707-01 | 1 | Caster | 5:2:5:1 | 1-633584 | 2 | Bearing-Cup |
| 5 | 109-9127 | 1 | Wheel & Tire ASM | 5:3 | 325-39 | 1 | Screw-HH |
| 5:1 | 103-2768 | 2 | Guard-Seal | 5:4 | 3296-23 | 1 | Nut-Lock, NI |
| 5:2 | | 1 | Wheel And Tire ASM ● | 6 | 103-4882 | 1 | Cap-Grease |
| 5:2:1 | 1-633585 | 2 | Bearing-Cone, Taper | 7 | 3296-51 | 1 | Nut-Lock, NI |
| 5:2:2 | 103-0063 | 2 | Seal-Caster | | | | |

● Not serviced separately

■ Use Pro-Lock, Nut Type (P/N 1-840022, .5ml tube) on threads.

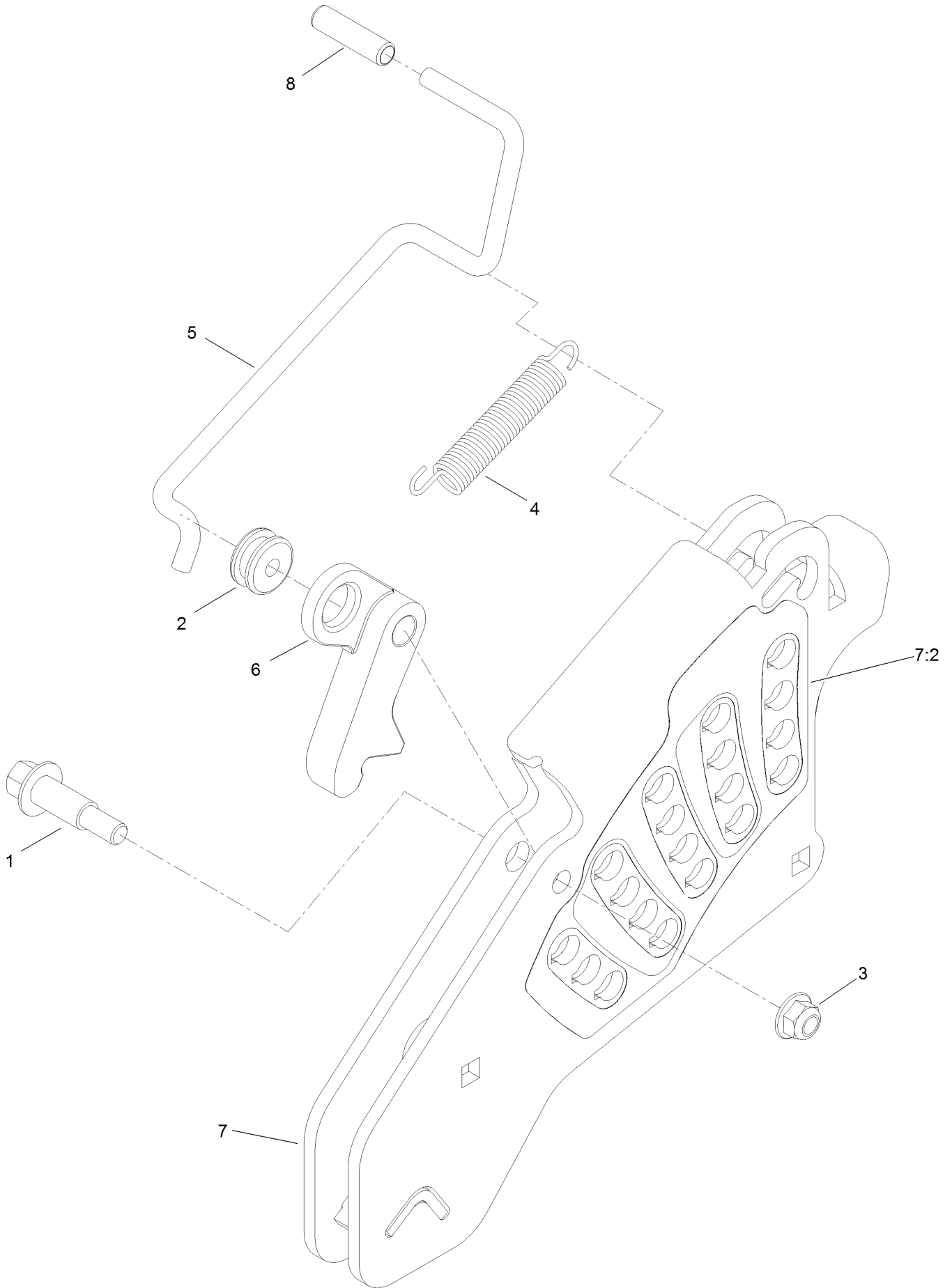
Deck Lift Assembly



Deck Lift Assembly (continued)

| <i>Ref.</i> | <i>Part Number</i> | <i>Qty.</i> | <i>Description</i> | <i>Ref.</i> | <i>Part Number</i> | <i>Qty.</i> | <i>Description</i> |
|-------------|--------------------|-------------|--------------------------------------|-------------|--------------------|-------------|--|
| 1 | 86-1990 | 6 | Washer | 17 | 325-12 | 2 | Screw-HH 1/2-13 X 3 |
| 2 | 99-5107 | 12 | Nut-Lock 1/2-13 | 18 | 325-17 | 1 | Screw-HH 1/2-13 X 4 |
| 3 | 104-8301 | 12 | Nut-Nyloc 3/8-16 Flg | 19 | 3231-2 | 2 | Bolt-Carriage 3/8-16 X 1 |
| 4 | 109-5013 | 1 | Panhard Rod ASM | 20 | 3231-4 | 2 | Bolt-Carriage 3/8-16 X 1 1/2 |
| 4:2 | 109-5009 | 2 | Bushing-Suspension, Rubber | 21 | 3231-7 | 4 | Bolt-Carriage 3/8-16 X 2 1/4 |
| 4:3 | 109-5010 | 2 | Spacer | 22 | 3233-34 | 3 | Bolt-Carriage 1/2-13 X 2 1/2 |
| 5 | 109-7173 | 2 | Bearing-Cross Shaft, Rear | 23 | 3296-23 | 1 | Nut-Nyloc 1/2-13 |
| 6 | 116-1919-01 | 1 | Lever-Foot | 24 | 116-1700 | 4 | Bolt-Carriage 1/2-13 X 2 1/2 Spl Neck |
| 7 | 109-7438 | 1 | HOC ASM | 25 | 116-0559 | 1 | Bolt-HH 1/2-13 X 4 Tap |
| 8 | 126-2477-03 | 1 | Decklift-Front | 26 | 116-2022 | 2 | Screw-Hex Flange 1/2-13 X 1.90 |
| 9 | 127-0553 | 2 | Support-Cross Shaft, Bearing Rear | 27 | 92-7674 | 1 | Screw-Shcs 3/8-16 X 2.212 |
| 10 | 109-7952 | 2 | Deck Strut ASM | 28 | 116-0000 | 1 | Spring-Extension |
| 10:2 | 109-5009 | 2 | Bushing-Suspension, Rubber | 29 | 109-9065 | 1 | Screw-HH 7/16-14 X 2 |
| 10:3 | 109-5010 | 2 | Spacer | 30 | 32128-37 | 2 | Nut-Whizlock 7/16-14 |
| 11 | 116-0797-03 | 1 | Link-Lift, Deck | 31 | 3256-28 | 2 | Washer-3/4 SAE |
| 12 | 116-2645-03 | 1 | Lift-Deck, Rear | 32 | 116-2695 | 1 | Spacer |
| 13 | 116-5584 | 1 | Pin-HOC | 33 | 109-8007 | 4 | Link-Adjuster, Deck Lift |
| 14 | 109-9409 | 2 | Support-Cross Shaft, Bearing | 34 | 109-7840 | 4 | Adjuster-Lift, Deck |
| 15 | 109-9410 | 2 | Bearing-Cross Shaft, Front | 35 | 109-8353 | 4 | Trunnion |
| 16 | 109-9840 | 4 | Screw-Hex Flange 3/8-16 X .80 | 36 | 3218-5 | 4 | Nut-Jam 1/2-13 |

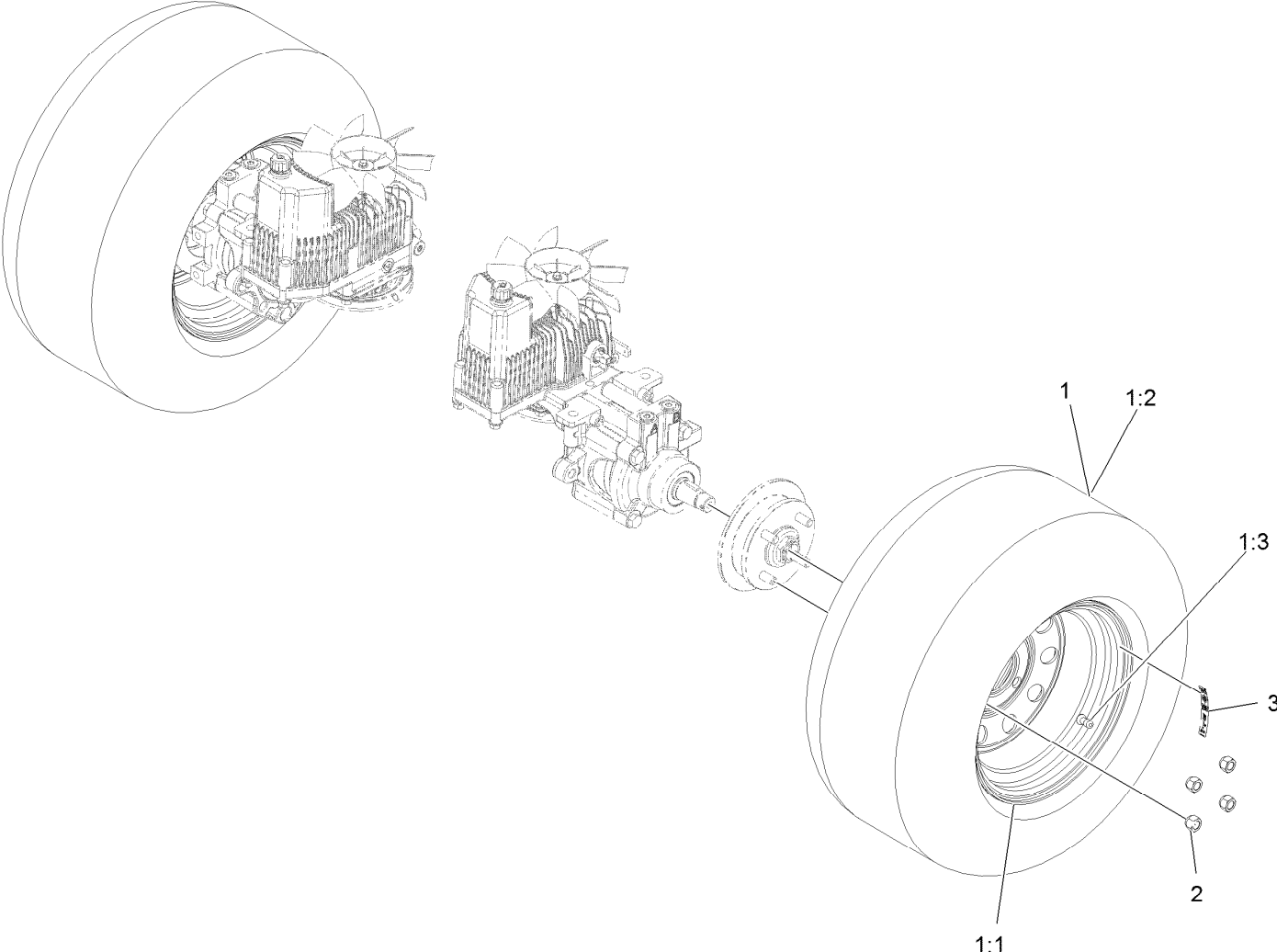
Height-of-Cut Assembly No. 109-7438



Height-of-Cut Assembly No. 109-7438 (continued)

| <i>Ref.</i> | <i>Part Number</i> | <i>Qty.</i> | <i>Description</i> | <i>Ref.</i> | <i>Part Number</i> | <i>Qty.</i> | <i>Description</i> |
|-------------|--------------------|-------------|---------------------|-------------|--------------------|-------------|---------------------|
| 1 | 62-1330 | 1 | Bolt-Shoulder | 6 | 116-0118 | 1 | Pawl-Transport, HOC |
| 2 | 109-7130 | 1 | Grommet | 7 | 109-7335 | 1 | HOC Plate ASM |
| 3 | 104-8301 | 1 | Nut-HF, NI | 7:2 | 126-4398 | 1 | Decal-HOC |
| 4 | 109-7124 | 1 | Spring-Extension | 8 | 109-8250 | 1 | Grip-Lever |
| 5 | 109-7128 | 1 | Rod-Lock, Transport | | | | |

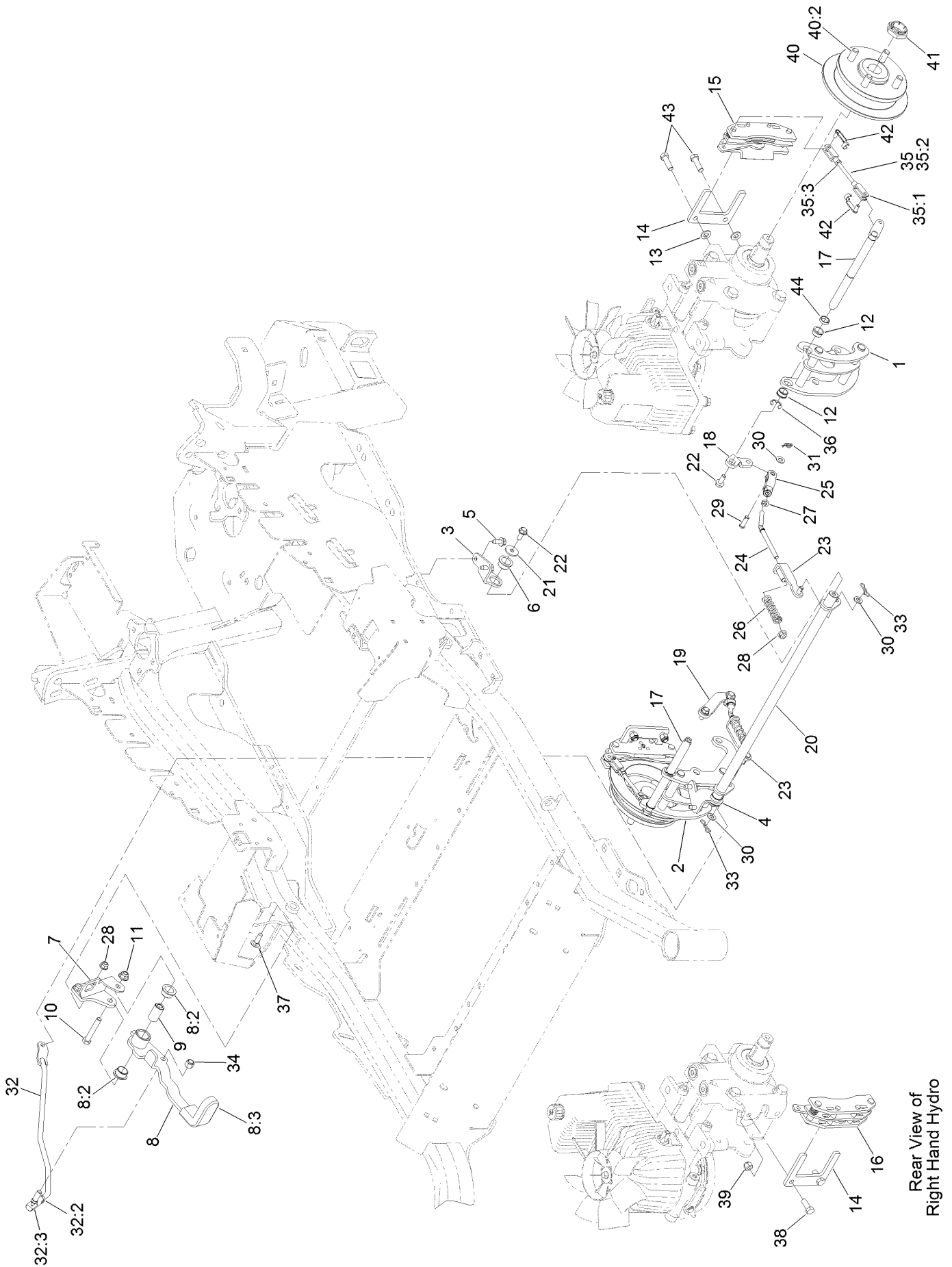
Rear Wheel Assembly



Rear Wheel Assembly (continued)

| <i>Ref.</i> | <i>Part Number</i> | <i>Qty.</i> | <i>Description</i> | <i>Ref.</i> | <i>Part Number</i> | <i>Qty.</i> | <i>Description</i> |
|-------------|--------------------|-------------|--------------------|-------------|--------------------|-------------|--------------------------------|
| 1 | 115-3588 | 2 | Wheel And Tire ASM | 2 | 242-50 | 8 | Nut-Lug 1/2-20 |
| 1:1 | 109-2871 | 1 | Rim | 3 | 126-2055 | 2 | Decal-Torque, Wheel Hub Lug |
| 1:2 | 1-633993 | 1 | Tire | | | | |
| 1:3 | 232-27 | 1 | Stem-Valve | | | | |

Park Brake Assembly

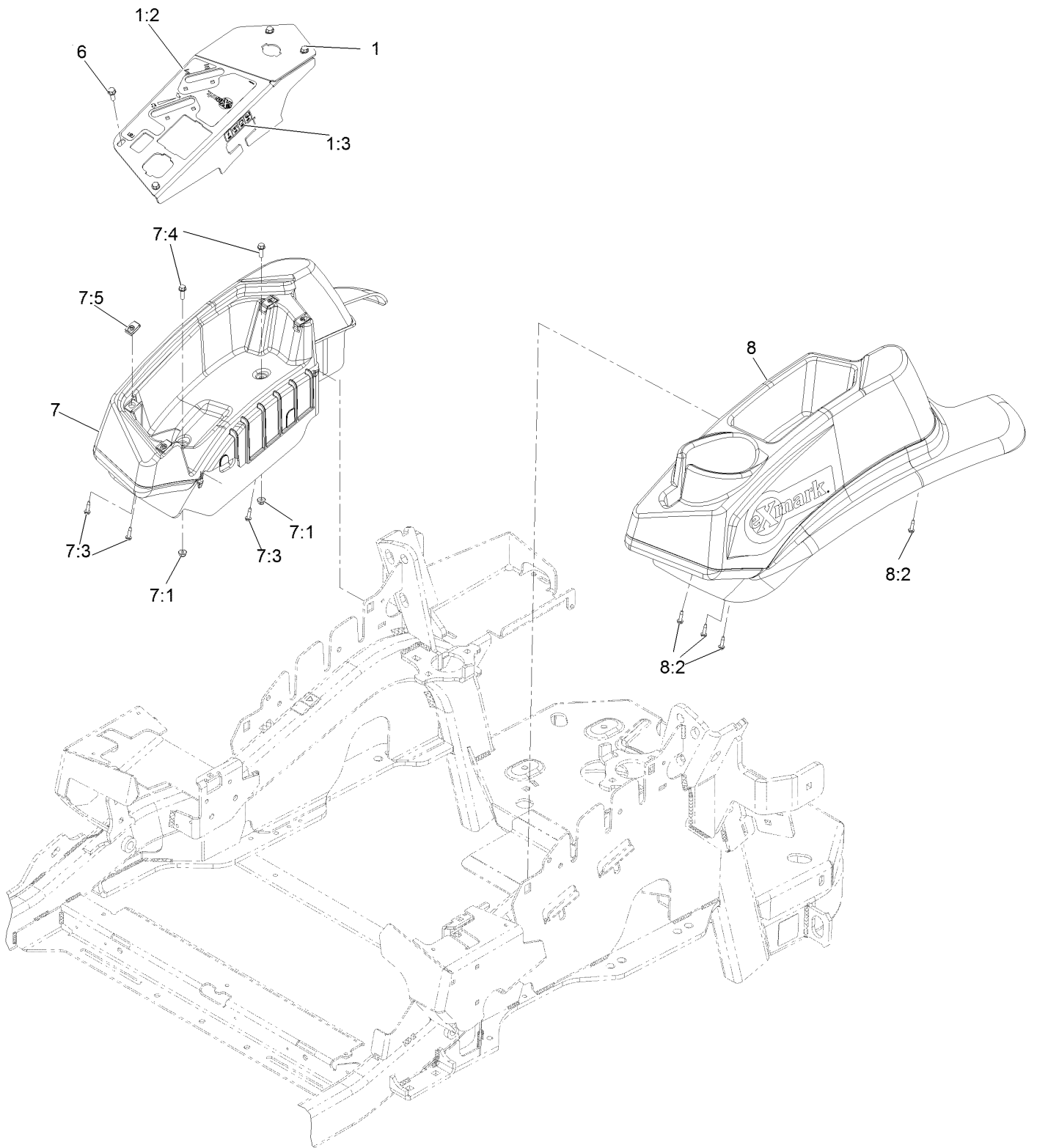


Rear View of
Right Hand Hydro

Park Brake Assembly (continued)

| <i>Ref.</i> | <i>Part Number</i> | <i>Qty.</i> | <i>Description</i> | <i>Ref.</i> | <i>Part Number</i> | <i>Qty.</i> | <i>Description</i> |
|-------------|--------------------|-------------|-------------------------|-------------|--------------------|-------------|---------------------|
| 1 | 126-4248 | 1 | Mount-Bellcrank, LH | 25 | 126-3693 | 2 | Yoke-Offset |
| 2 | 126-4249 | 1 | Mount-Bellcrank, RH | 26 | 116-9085 | 2 | Spring-Compression |
| 3 | 116-9681 | 1 | Mount-Pivot, LH | 27 | 3220-2 | 2 | Nut-Jam |
| 4 | 116-9682 | 1 | Mount-Pivot, RH | 28 | 104-8300 | 4 | Nut-HF, NI |
| 5 | 32144-70 | 4 | Screw-HWHTF | 29 | 1-808280 | 2 | Pin-Clevis |
| 6 | 109-8054 | 2 | Bushing-Flange | 30 | 3256-23 | 4 | Washer-Plain |
| 7 | 116-9096-01 | 1 | Bracket-Mount | 31 | 116-6639 | 2 | Pin-Cotter, Locking |
| 8 | 132-9406 | 1 | Brake Lever ASM W/ Grip | 32 | 116-9102 | 1 | Front Linkage ASM |
| 8:2 | 109-8054 | 2 | Bushing-Flange | 32:2 | 94-7572 | 1 | End-Tie Rod, RH |
| 8:3 | 132-4749 | 1 | Grip-Lever | 32:3 | 3220-3 | 1 | Nut-HJ |
| 9 | 116-9117 | 1 | Handle-Pivot, Brake | 33 | 119-1415 | 2 | Pin-Cotter, Locking |
| 10 | 323-11 | 1 | Screw-HH | 34 | 3296-6 | 1 | Nut-Lock |
| 11 | 104-8301 | 1 | Nut-HF, NI | 35 | 126-7587 | 2 | Rear Linkage ASM |
| 12 | 126-6199 | 4 | Bushing | 35:1 | 126-7588 | 2 | Yoke |
| 13 | 3256-24 | 2 | Washer-Flat | 35:2 | 116-9069 | 1 | Linkage, Rear |
| 14 | 109-0958 | 2 | Plate-Mount, Brake | 35:3 | 3220-1 | 1 | Nut-Jam |
| 15 | 109-2889 | 1 | Caliper-Brake | 36 | 32120-19 | 2 | E-Ring |
| 16 | 116-9103 | 1 | Caliper-Brake, RH | 37 | 3230-2 | 2 | Bolt-CARR |
| 17 | 126-4251 | 2 | Bellcrank | 38 | 323-6 | 2 | Screw-HH |
| 18 | 126-3715 | 1 | Arm-Inner, LH | 39 | 3296-39 | 2 | Nut-Lock, NI |
| 19 | 126-3716 | 1 | Arm-Inner, RH | 40 | 116-1746 | 2 | Wheel Hub ASM |
| 20 | 116-9080 | 1 | Shaft-Cross | 40:2 | 116-1696 | 4 | Stud-Wheel |
| 21 | 115-7109 | 2 | Washer-Flat | 41 | 116-1399 | 2 | Locknut |
| 22 | 98-9940 | 4 | Screw | 42 | 126-6395 | 4 | Pin-Clevis, Spring |
| 23 | 116-9609 | 2 | Bracket-L | 43 | 92-5727 | 2 | Screw-Lock, Patch |
| 24 | 116-9086 | 2 | Linkage-Mid | 44 | 126-6200 | 2 | Spacer |

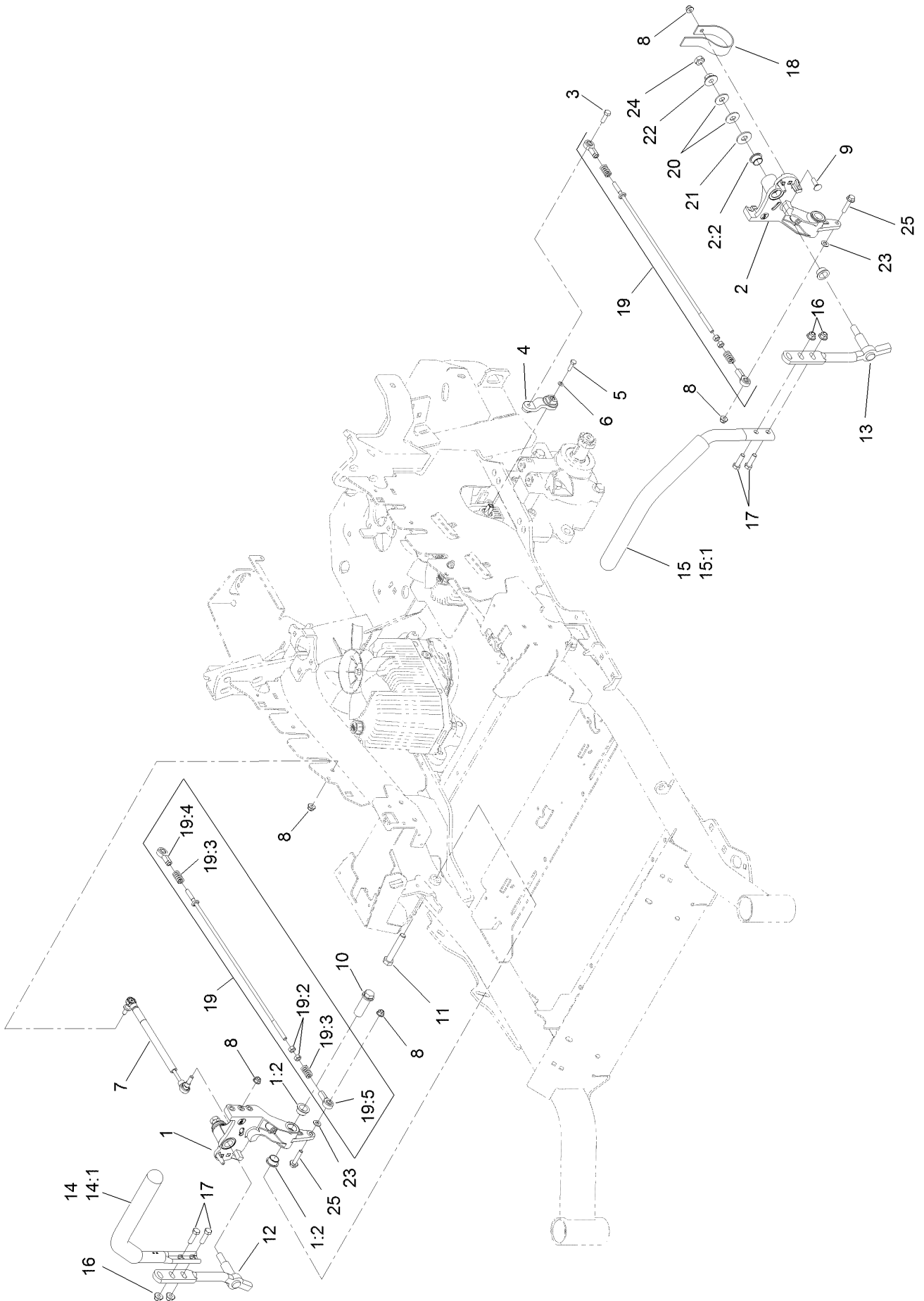
Console Assembly



Console Assembly (continued)

| <i>Ref.</i> | <i>Part Number</i> | <i>Qty.</i> | <i>Description</i> | <i>Ref.</i> | <i>Part Number</i> | <i>Qty.</i> | <i>Description</i> |
|-------------|--------------------|-------------|-------------------------------|-------------|--------------------|-------------|----------------------------|
| 1 | 135-3146 | 1 | ASM-Panel, Control W/Decal | 7:1 | 104-7201 | 2 | Nut-Nyloc 1/4-20 Flg |
| 1:2 | 116-8724 | 1 | Decal-Control Panel Non-Efi | 7:3 | 109-9345 | 3 | Screw-HWH #10-14 X 3/4 Tf |
| 1:3 | 114-4466 | 1 | Decal-Fuses | 7:4 | 32105-15 | 2 | Screw-Machine 1/4-20 X 3/4 |
| 6 | 32105-15 | 4 | Screw-Machine 1/4-20 X 3/4 | 7:5 | 107069 | 4 | Nut-Retainer-Panel 1/4-20 |
| 7 | 109-9341 | 1 | Console,RH Narrow ASM | 8 | 109-9342 | 1 | Console.LH Narrow ASM |
| | | | | 8:2 | 109-9345 | 4 | Screw-HWH #10-14 X 3/4 Tf |

Motion Control Assembly



Motion Control Assembly (continued)

| <i>Ref.</i> | <i>Part Number</i> | <i>Qty.</i> | <i>Description</i> | <i>Ref.</i> | <i>Part Number</i> | <i>Qty.</i> | <i>Description</i> |
|-------------|--------------------|-------------|-----------------------------------|-------------|--------------------|-------------|------------------------|
| 1 | 116-0880 | 1 | RH Motion Control And Bushing ASM | 14 | 109-6589 | 1 | RH Steering Handle ASM |
| 1:2 | 109-8054 | 4 | Bushing-Flange | 14:1 | 109-5668 | 1 | Grip-Control, Lever |
| 2 | 116-0881 | 1 | LH Motion Control And Bushing ASM | 15 | 109-6590 | 1 | LH Steering Handle ASM |
| 2:2 | 109-8054 | 4 | Bushing-Flange | 15:1 | 109-5668 | 1 | Grip-Control, Lever |
| 3 | 116-0648 | 2 | Screw-HH, Thread Locking ● | 16 | 104-8301 | 4 | Nut-HF, NI |
| 4 | 109-4581 | 2 | Arm-Control, Pump | 17 | 323-7 | 4 | Screw-HH |
| 5 | 9080046 | 2 | Screw-HH ● | 18 | 109-5575 | 2 | Spring-Leaf |
| 6 | 1-303435 | 2 | Washer-Spring | 19 | 109-8106 | 2 | Front Pump Linkage ASM |
| 7 | 116-0027 | 2 | Damper-Control, Motion | 19:2 | 3219-2 | 2 | Nut-Hex |
| 8 | 104-8300 | 8 | Nut-HF, NI | 19:3 | 1-323245 | 2 | Spring-Compression |
| 9 | 3230-2 | 2 | Bolt-CARR | 19:4 | 1-633152 | 1 | Balljoint-LH |
| 10 | 109-5891 | 2 | Hub-Threaded | 19:5 | 1-543017 | 1 | Balljoint-RH |
| 11 | 325-12 | 2 | Screw-HH | 20 | 109-9505 | 4 | Washer-Spring |
| 12 | 116-0039 | 1 | Lever-Control Motion, RH | 21 | 3256-6 | 2 | Washer-Flat |
| 13 | 116-0040 | 1 | Lever-Control Motion, LH | 22 | 32128-56 | 2 | Nut-HF |
| | | | | 23 | 3256-23 | 2 | Washer-Plain |
| | | | | 24 | 3218-5 | 2 | Nut-Jam |
| | | | | 25 | 115-1794 | 2 | Screw-HHF |

● Use Pro-Lock, Nut Type (P/N 1-840022, .5ml tube) on threads.

Seat Assembly



Seat Assembly (continued)

| <i>Ref.</i> | <i>Part Number</i> | <i>Qty.</i> | <i>Description</i> | <i>Ref.</i> | <i>Part Number</i> | <i>Qty.</i> | <i>Description</i> |
|-------------|--------------------|-------------|---|-------------|--------------------|-------------|----------------------------------|
| 1 | 116-8912 | 1 | Kit-Suspension Seat | 10 | 109-9881-03 | 1 | Plate-Latch, Seat |
| 2 | 109-9034 | 4 | Isolator-Seat | 11 | 3230-4 | 1 | Bolt-Carriage 5/16-18 X 1 1/2 |
| 3 | 104-8301 | 4 | Nut-Nyloc 3/8-16 Flg | 12 | 107-3017 | 1 | Spring-Compression |
| 4 | 116-3860-03 | 1 | Plate-Tilt, Seat Support | 13 | 9266934 | 2 | Screw-HWH 5/16 X 1/2 Tf |
| 5 | 3230-23 | 11 | Bolt-Carriage 5/16-18 X 3/4 Short Neck | 14 | 126-6574 | 1 | Decal, Lazer Model |
| 6 | 104-8300 | 18 | Nut-Nyloc 5/16-18 Flg | 15 | 116-1297 | 2 | Screw-Shoulder |
| 7 | 116-3859-03 | 1 | Plate-Frame, Seat | 16 | 116-0070 | 1 | Rod-Prop |
| 8 | 26-4840 | 4 | Spacer-Pin, Mounting | 17 | 3256-23 | 1 | Washer-5/16 SAE |
| 9 | 116-2130-03 | 1 | Panel-Front, Seat Mount | 18 | 114-4465 | 1 | Decal-Service Aid |

Seat Assembly (cont.)

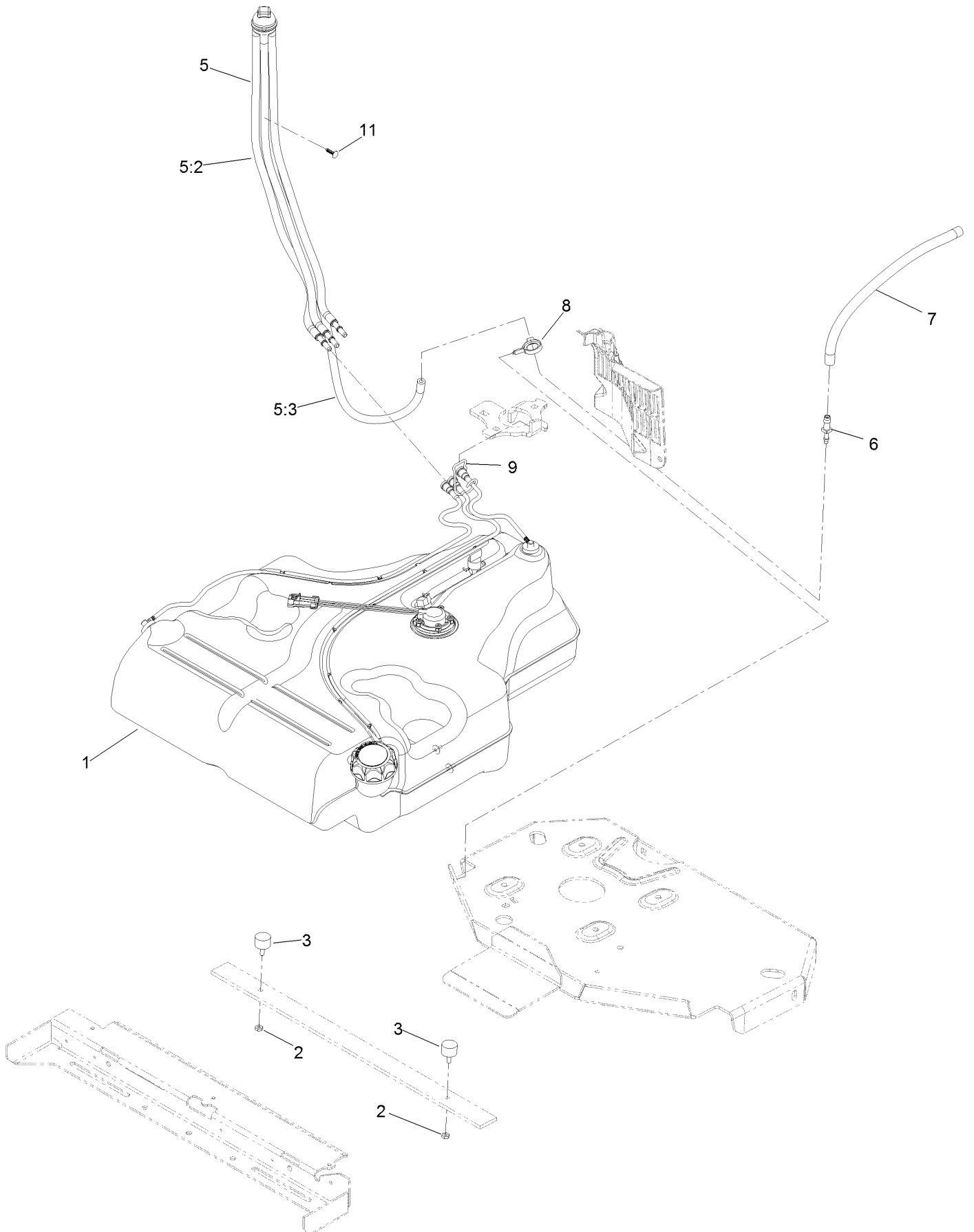


Seat Assembly (cont.) (continued)

| <i>Ref.</i> | <i>Part Number</i> | <i>Qty.</i> | <i>Description</i> | <i>Ref.</i> | <i>Part Number</i> | <i>Qty.</i> | <i>Description</i> |
|-------------|--------------------|-------------|------------------------------|-------------|--------------------|-------------|-----------------------|
| 2 | 116-8910 | 1 | Seat Track Set | 7 | 126-2061 | 1 | Seat Belt Service Kit |
| 3 | 116-8908 | 1 | Cover-Back 311463Vn500 | 8 | 116-8906 | 1 | Kit-Arm Rest Set |
| 4 | 116-8909 | 1 | Cover-Cushion 311464Vn500 | 9 | 116-8905 | 1 | Kit-Arm Rest Pads |
| 5 | 116-8911 | 1 | Knob-Adjuster | 10 | 82-2190 | 1 | Switch |
| 6 | 116-5659 | 1 | Cover-Suspension Bellows | 11 | 116-9329 | 4 | Spacer |
| | | | | 12 | 126-9918-03 | 2 | Stop, Seat ● |

● Used on Diesel models only

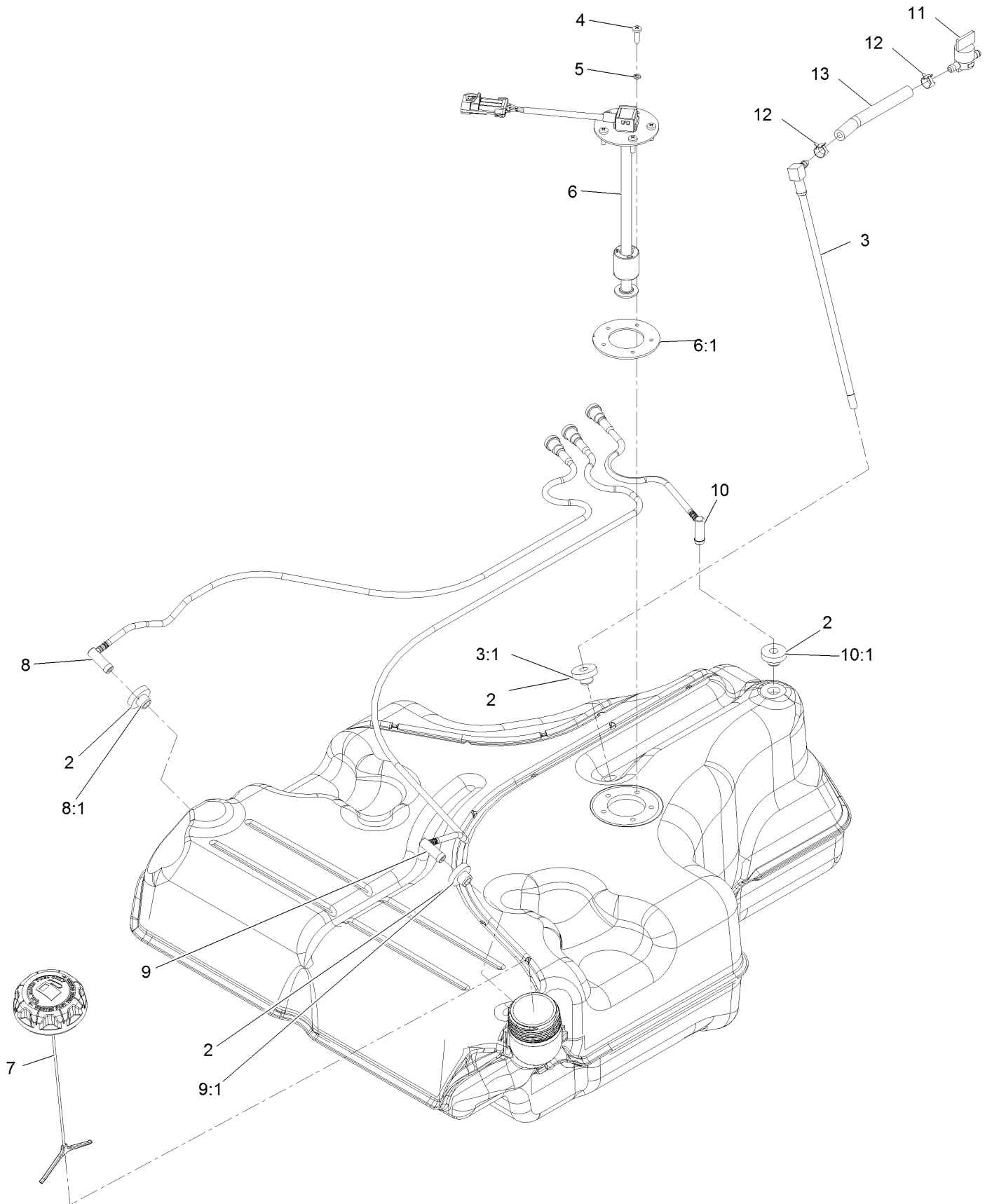
Fuel System Assembly



Fuel System Assembly (continued)

| <i>Ref.</i> | <i>Part Number</i> | <i>Qty.</i> | <i>Description</i> | <i>Ref.</i> | <i>Part Number</i> | <i>Qty.</i> | <i>Description</i> |
|-------------|--------------------|-------------|------------------------|-------------|--------------------|-------------|----------------------|
| 1 | 135-0643 | 1 | Fuel Tank ASM | 6 | 116-5072 | 1 | Fitting-Straight |
| 2 | 3218-1 | 2 | Nut-Jam | 7 | 116-5087 | 1 | Hose-Fuel |
| 3 | 1-523420 | 2 | Bumper | 8 | 105-1853 | 1 | Clamp-Hose |
| 5 | 127-0583 | 1 | Fuel Manifold Vent ASM | 9 | 116-6005 | 1 | Retainer-Line, Vapor |
| 5:2 | 109-0302 | 3 | Hose-Fuel | 11 | 125-8067 | 1 | Plug-Plastic |
| 5:3 | 108-5376 | 1 | Hose-Fuel | | | | |

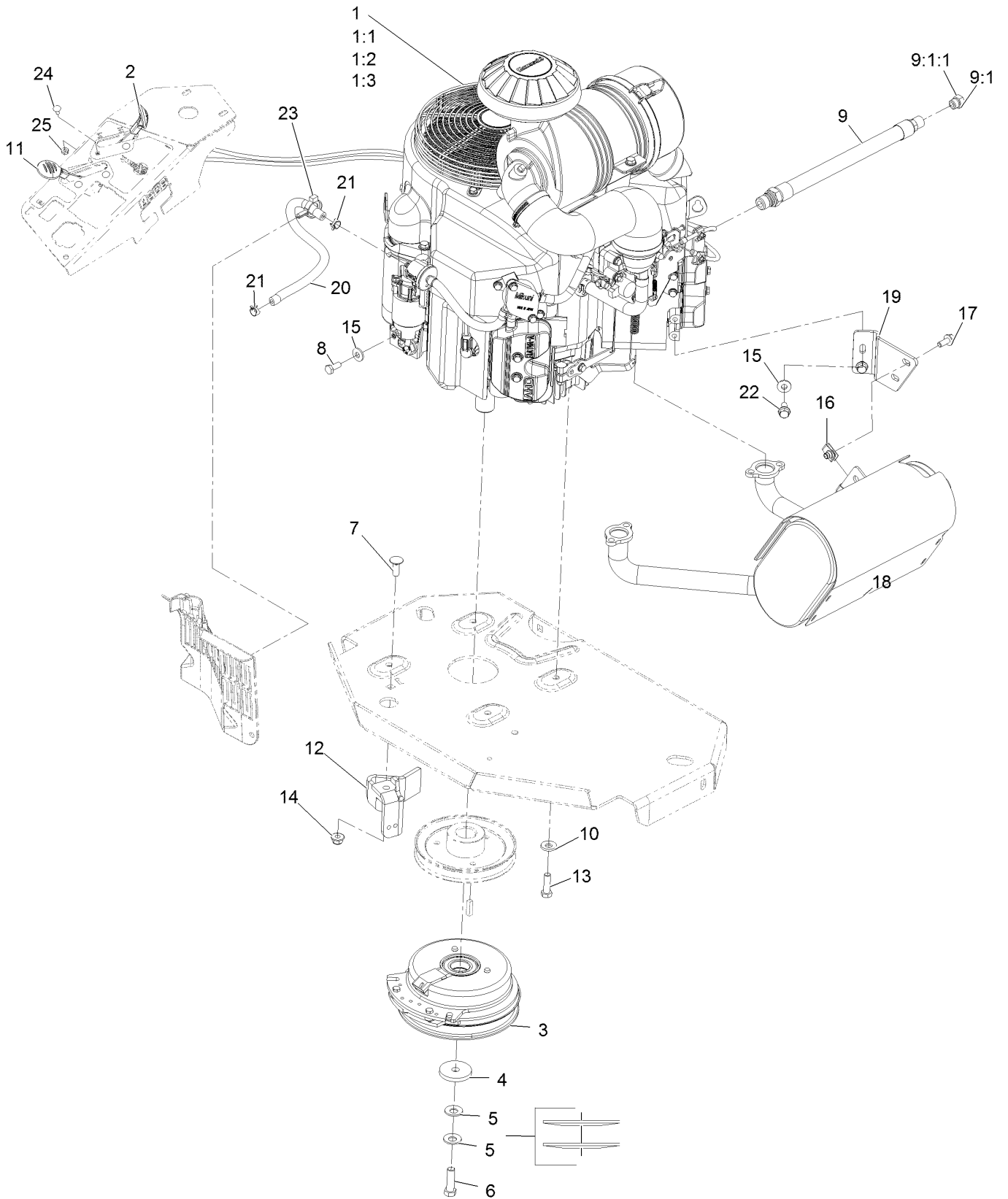
Fuel Tank Assembly



Fuel Tank Assembly (continued)

| <i>Ref.</i> | <i>Part Number</i> | <i>Qty.</i> | <i>Description</i> | <i>Ref.</i> | <i>Part Number</i> | <i>Qty.</i> | <i>Description</i> |
|-------------|--------------------|-------------|---------------------------------|-------------|--------------------|-------------|-----------------------------------|
| 2 | 46-6560 | 4 | Bushing | 8:1 | 46-6560 | 1 | Bushing |
| 3 | 116-2459 | 1 | Fuel Line Kit (With Grommet) | 9 | 116-2461 | 1 | LH Vent Line Kit (With Grommet) |
| 3:1 | 46-6560 | 1 | Bushing | 9:1 | 46-6560 | 1 | Bushing |
| 4 | 3290-500 | 5 | Screw-PPH | 10 | 116-2462 | 1 | Rear Vent Line Kit (With Grommet) |
| 5 | 3253-17 | 5 | Washer-Lock | 10:1 | 46-6560 | 1 | Bushing |
| 6 | 126-3913 | 1 | Float-Sender, Fuel | 11 | 1-603770 | 1 | Valve-Fuel |
| 6:1 | 126-3950 | 1 | Gasket-Sender | 12 | 2412-98 | 2 | Clamp-Hose |
| 7 | 126-1789 | 1 | Cap-Fuel, Ratcheting | 13 | 109-0650 | 1 | Hose-Fuel |
| 8 | 116-2460 | 1 | RH Vent Line Kit (With Grommet) | | | | |

Engine Assembly



Engine Assembly (continued)

| <i>Ref.</i> | <i>Part Number</i> | <i>Qty.</i> | <i>Description</i> | <i>Ref.</i> | <i>Part Number</i> | <i>Qty.</i> | <i>Description</i> |
|-------------|--------------------|-------------|---|-------------|--------------------|-------------|----------------------------|
| 1 | | 1 | Engine-Kawasaki, Fx801V-S04-R ▲◆ | 9:1:1 | 237-42 | 1 | O-Ring |
| 1:1 | | 1 | Kawasaki 49065-2078 Engine Oil Filter ▲◆ | 10 | 98-5975 | 4 | Washer-Spring Disc 3/8 |
| 1:2 | | 1 | Kawasaki 11013-7044 Engine Air Filter ▲◆ | 11 | 116-1972 | 1 | ASM,Throttle Cable |
| 1:3 | | 1 | Kawasaki 11013-7045 Safety Filter ▲◆ | 12 | 116-2612-01 | 1 | Clutch-Anchor |
| 2 | 109-8167 | 1 | ASM, Choke Cable | 13 | 323-7 | 4 | Screw-HH 3/8-16 X 1 1/4 |
| 3 | 116-1620 | 1 | Clutch Kit | 14 | 104-8301 | 1 | Nut-Nyloc 3/8-16 Flg |
| 4 | 109-6919 | 1 | Washer-Clutch | 15 | 1-303334 | 3 | Washer-Spring Disc 5/16 |
| 5 | 1-603610 | 2 | Washer-Spring Disc 7/16 | 16 | 94-2413 | 2 | Nut-U |
| 6 | 109-9761 | 1 | Screw-HH 7/16-20 X 1 1/2 W/Loctite □ | 17 | 3234-5 | 2 | Screw-HH Flg 5/16-18 X 3/4 |
| 7 | 3231-22 | 1 | Bolt-Carriage 3/8-16 X 1 | 18 | 116-1712 | 1 | Muffler |
| 8 | 33114-020 | 1 | Screw-HH M8-1.25 X 20Mm | 19 | 116-0203 | 1 | Bracket-Muffler |
| 9 | 116-4924 | 1 | Asm-Hose Oil Drain W/Plug ■ | 20 | 109-0296 | 1 | Hose-Fuel Line 15" |
| 9:1 | 353-508 | 1 | Plug-W/O-Ring ● | 21 | 2412-98 | 2 | Clamp-Hose |
| | | | | 22 | 95-4184 | 2 | Screw-HH M8-1.25 X 20Mm |
| | | | | 23 | 105-1853 | 2 | Clamp-Hose |
| | | | | 24 | 1-807513 | 4 | Bolt-Carriage #10-24 X 1/2 |
| | | | | 25 | 3296-2 | 4 | Nut-Nyloc #10-24 |

● Torque to 24-26 ft-lb

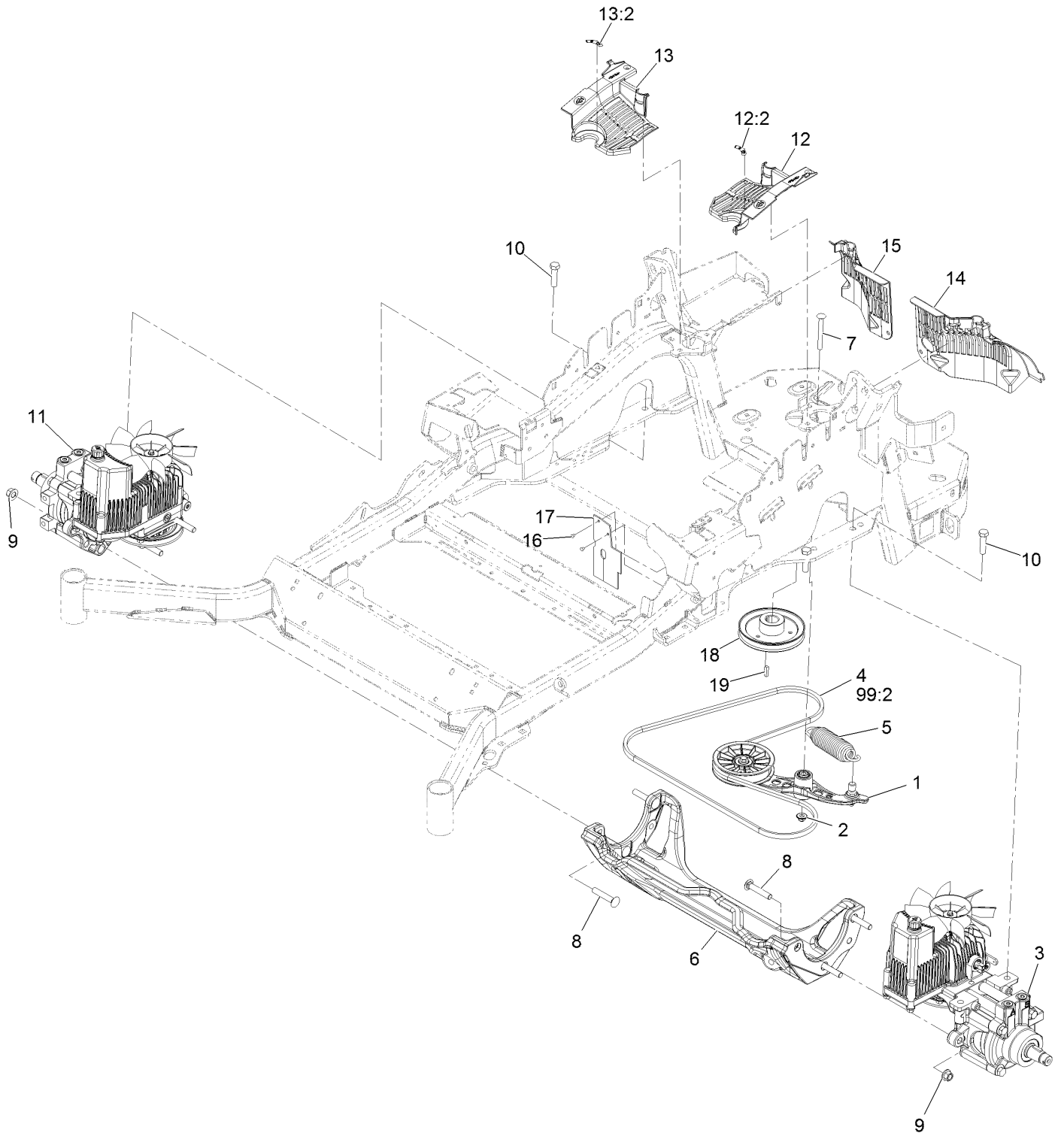
▲ Not serviced separately

□ Use Pro-Lock, Nut Type (P/N 1-840022, .5ml tube) on threads.

■ Torque to 23-29 ft-lb

◆ Obtain parts from www.kawpowerepc.com

Hydraulic Assembly

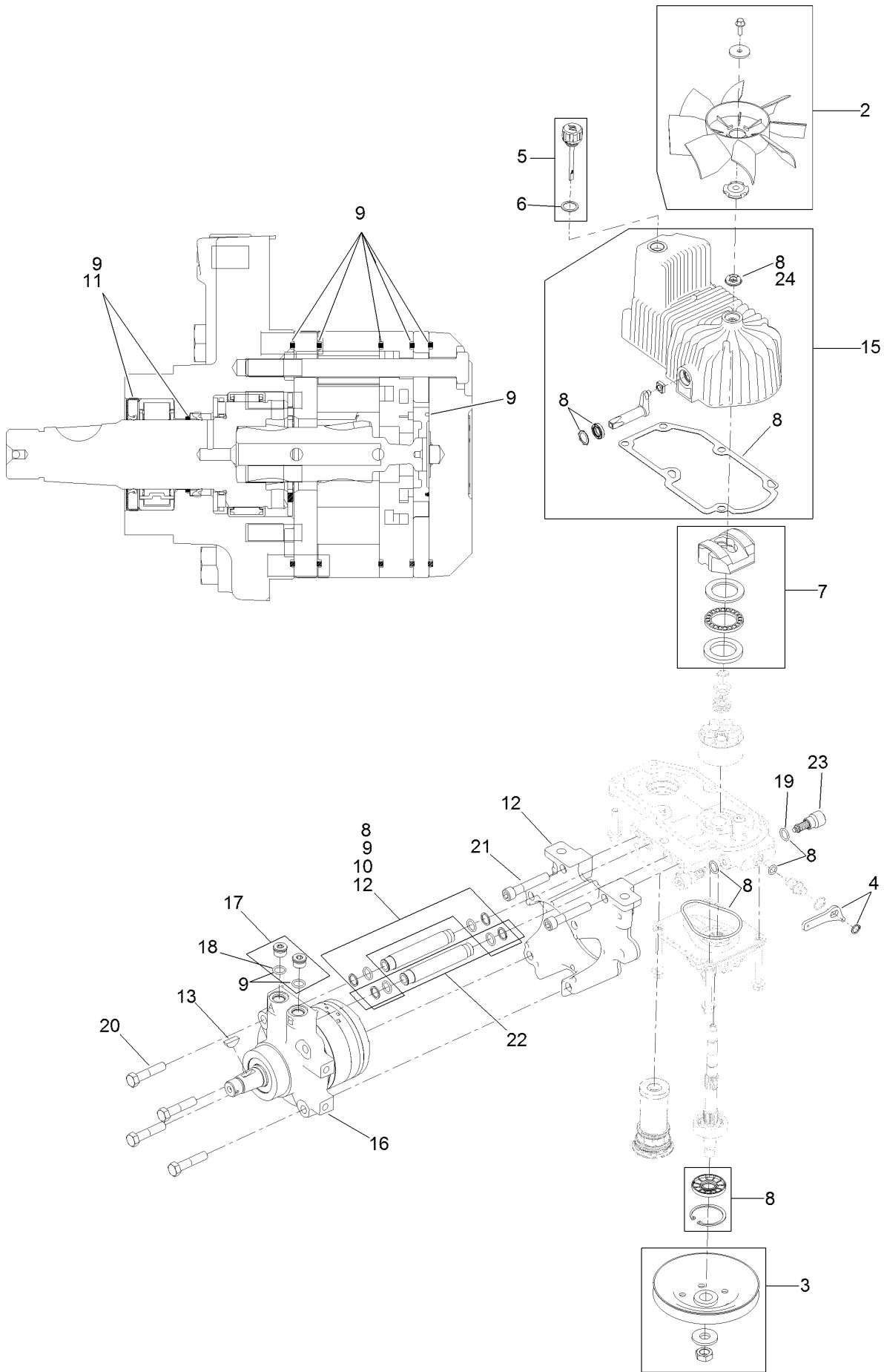


Hydraulic Assembly (continued)

| <i>Ref.</i> | <i>Part Number</i> | <i>Qty.</i> | <i>Description</i> | <i>Ref.</i> | <i>Part Number</i> | <i>Qty.</i> | <i>Description</i> |
|-------------|--------------------|-------------|--|-------------|--------------------|-------------|------------------------------------|
| 1 | 116-1255 | 1 | Pump Idler ASM | 13 | 116-0171 | 1 | RH Hydro Guard ASM |
| 2 | 109-6658 | 1 | Nut-Nyloc 3/8-16 Flg | 13:2 | 116-8726 | 1 | Decal-Oil, Hydro |
| 3 | 126-1325 | 1 | LH Hydro ASM (16Cc W/ Shock) | 14 | 109-9057 | 1 | Guard-Hydro, Rear (LH) |
| 4 | 109-3388 | 1 | Belt | 15 | 109-9058 | 1 | Guard-Hydro, Rear (RH) |
| 5 | 116-6317 | 1 | Spring-Extension | 16 | 1-803035 | 2 | Rivet 3/16 X 1/4 |
| 6 | 116-7558 | 1 | Cradle-Hydro | 17 | 116-2362 | 1 | Deflector-Air Flow |
| 7 | 116-1502 | 1 | Bolt-Carriage Shoulder 3/8-16 X 3 1/2 | 18 | 109-9905 | 1 | Sheave |
| 8 | 126-0095 | 6 | Screw-CARR | 19 | 1-807259 | 1 | Key-Machine 1/4 X 1/4 X 1 |
| 9 | 99-5107 | 6 | Nut-Lock 1/2-13 | 99 | 109-9828 | 1 | Bottle-Oil, 32Oz Hydraulic ● |
| 10 | 325-8 | 4 | Screw-HH 1/2-13 X 1 1/4 | 99 | 116-0164 | 1 | Filter-Hydro ● |
| 11 | 126-1326 | 1 | RH Hydro ASM (16Cc W/ Shock) | 99 | 116-1218 | 1 | Bottle,Oil 1 Gallon Hydraulic ● |
| 12 | 116-0170 | 1 | LH Hydro Guard ASM | 99 | 116-3270 | 1 | Kit, Hydro Service ● |
| 12:2 | 116-8726 | 1 | Decal-Oil, Hydro | 99:1 | 109-9828 | 4 | Bottle-Oil, 32Oz Hydraulic ● |
| | | | | 99:2 | 109-3388 | 1 | Belt |
| | | | | 99:3 | 116-0164 | 2 | Filter-Hydro ● |

● Not illustrated

LH Hydro Assembly No. 126-1325

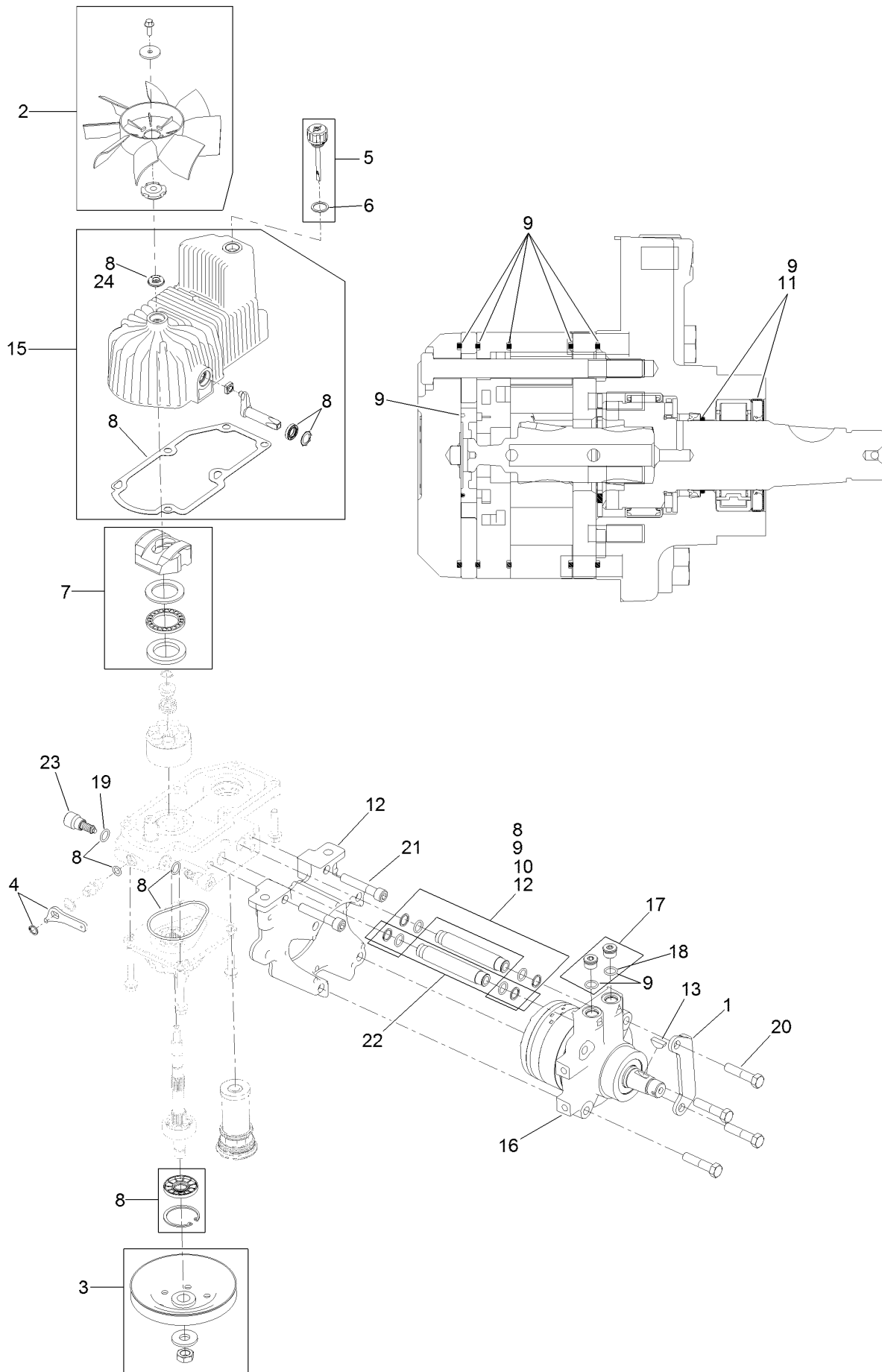


LH Hydro Assembly No. 126-1325 (continued)

| <i>Ref.</i> | <i>Part Number</i> | <i>Qty.</i> | <i>Description</i> | <i>Ref.</i> | <i>Part Number</i> | <i>Qty.</i> | <i>Description</i> |
|-------------|--------------------|-------------|-------------------------------|-------------|--------------------|-------------|----------------------------|
| 2 | 116-0233 | 1 | Fan Kit | 15 | 116-3287 | 1 | Housing-LH |
| 3 | 116-0234 | 1 | Pulley Kit | 16 | 116-8917 | 1 | Motor-Hydraulic, LH 280Cc |
| 4 | 116-0235 | 1 | Handle-Bypass Valve, Hydro | 17 | 116-7901 | 1 | Magnetic Plugs Service Kit |
| 5 | 116-0236 | 1 | Dipstick-Hydro W/Gasket | 18 | 76-1900 | 2 | O-Ring |
| 6 | 116-0237 | 1 | Gasket-Dipstick, Hydro | 19 | 116-8662 | 2 | O-Ring-Check Valve |
| 7 | 116-1367 | 1 | Swash Block Kit | 20 | 116-8974 | 4 | Screw HH |
| 8 | 116-1368 | 1 | Pump Seal Kit | 21 | 116-8975 | 2 | Screw-HSH |
| 9 | 116-1369 | 1 | Motor Seal Kit | 22 | 116-9922 | 2 | Hydraulic Tube Kit |
| 10 | 116-1370 | 1 | Tube Seal Kit | 23 | 126-7467 | 2 | Shock Valve, 16Cc Hydro |
| 11 | 116-1371 | 1 | Output Shaft Seal Kit | 24 | 126-7711 | 1 | Seal-Fan Drive |
| 12 | 116-5469 | 1 | Nose Cup-Uht | 99 | 116-1373 | 1 | Flow Test Kit ● |
| 13 | 3257-42 | 1 | Key-Woodruff | 99 | 116-4245 | 1 | Puller-Pulley |

● Not illustrated

RH Hydro Assembly No. 126-1326

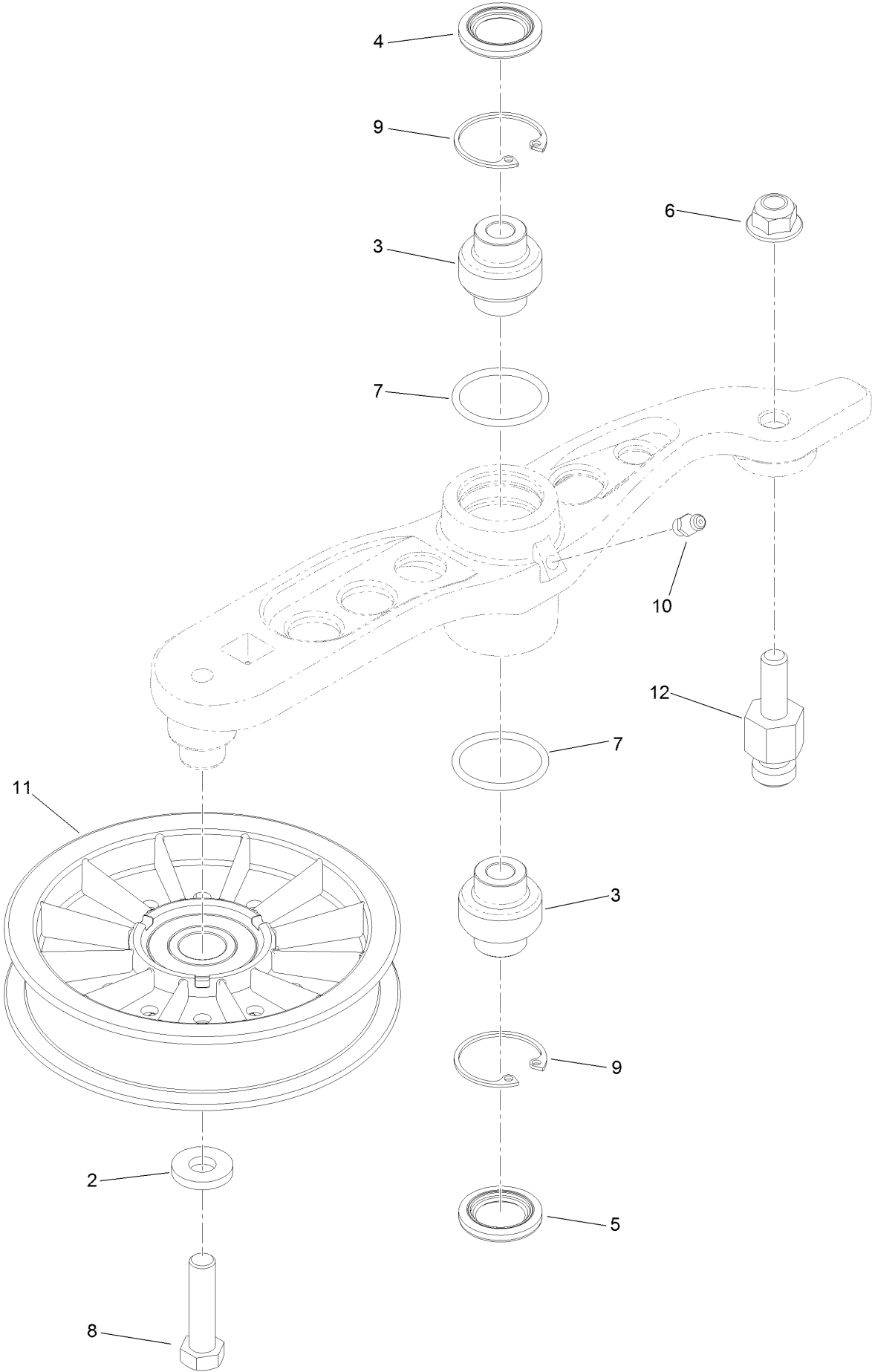


RH Hydro Assembly No. 126-1326 (continued)

| <i>Ref.</i> | <i>Part Number</i> | <i>Qty.</i> | <i>Description</i> | <i>Ref.</i> | <i>Part Number</i> | <i>Qty.</i> | <i>Description</i> |
|-------------|--------------------|-------------|-------------------------------|-------------|--------------------|-------------|----------------------------|
| 1 | 116-9063 | 1 | Mount-Shoe, Horse | 13 | 3257-42 | 1 | Key-Woodruff |
| 2 | 116-0233 | 1 | Fan Kit | 15 | 116-3288 | 1 | Housing-RH |
| 3 | 116-0234 | 1 | Pulley Kit | 16 | 116-8918 | 1 | Motor-Hydraulic, RH 280Cc |
| 4 | 116-0235 | 1 | Handle-Bypass Valve, Hydro | 17 | 116-7901 | 1 | Magnetic Plugs Service Kit |
| 5 | 116-0236 | 1 | Dipstick-Hydro W/Gasket | 18 | 76-1900 | 2 | O-Ring |
| 6 | 116-0237 | 1 | Gasket-Dipstick, Hydro | 19 | 116-8662 | 2 | O-Ring-Check Valve |
| 7 | 116-1367 | 1 | Swash Block Kit | 20 | 116-8974 | 4 | Screw HH |
| 8 | 116-1368 | 1 | Pump Seal Kit | 21 | 116-8975 | 2 | Screw-HSH |
| 9 | 116-1369 | 1 | Motor Seal Kit | 22 | 116-9922 | 2 | Hydraulic Tube Kit |
| 10 | 116-1370 | 1 | Tube Seal Kit | 23 | 126-7467 | 2 | Shock Valve, 16Cc Hydro |
| 11 | 116-1371 | 1 | Output Shaft Seal Kit | 24 | 126-7711 | 1 | Seal-Fan Drive |
| 12 | 116-5469 | 1 | Nose Cup-Uht | 99 | 116-1373 | 1 | Flow Test Kit ● |
| | | | | 99 | 116-4245 | 1 | Puller-Pulley |

● Not illustrated

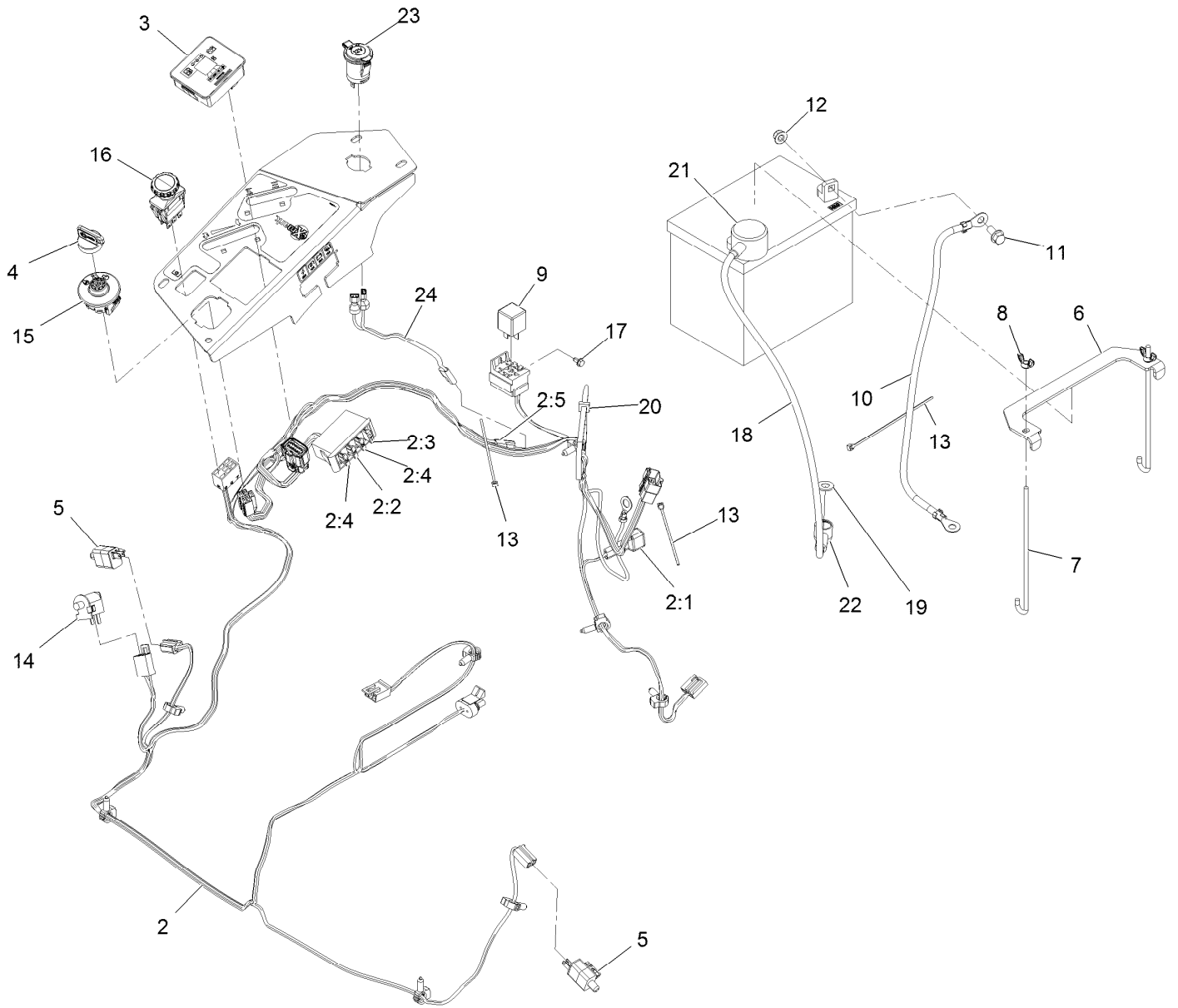
Pump Idler Assembly No. 116-1255



Pump Idler Assembly No. 116-1255 (continued)

| <i>Ref.</i> | <i>Part Number</i> | <i>Qty.</i> | <i>Description</i> | <i>Ref.</i> | <i>Part Number</i> | <i>Qty.</i> | <i>Description</i> |
|-------------|--------------------|-------------|--------------------|-------------|--------------------|-------------|--------------------|
| 2 | 43-0940 | 1 | Spacer | 8 | 323-8 | 1 | Screw-HH |
| 3 | 103-3504 | 2 | Bearing-Spherical | 9 | 32120-10 | 2 | Ring-Snap |
| 4 | 103-3505 | 1 | Seal-Lip, Double | 10 | 302-19 | 1 | Fitting-Grease |
| 5 | 103-3506 | 1 | Seal-Lip, Single | 11 | 109-8076 | 1 | Pulley-Idler |
| 6 | 109-6658 | 1 | Nut-Flange, NI | 12 | 132-4724 | 1 | Pin-Anchor, Spring |
| 7 | 106-7159 | 2 | O-Ring | | | | |

Electrical Assembly



Electrical Assembly (continued)

| <i>Ref.</i> | <i>Part Number</i> | <i>Qty.</i> | <i>Description</i> | <i>Ref.</i> | <i>Part Number</i> | <i>Qty.</i> | <i>Description</i> |
|-------------|--------------------|-------------|-------------------------|-------------|--------------------|-------------|----------------------------|
| 2 | 116-6009 | 1 | Harness-Wire, Main ● | 11 | 3234-5 | 2 | Screw-HH Flg 5/16-18 X 3/4 |
| 2:1 | 103-3895 | 1 | Diode | 12 | 104-8300 | 2 | Nut-Nyloc 5/16-18 Flg |
| 2:2 | 218-578 | 1 | Fuse-Blade, 10 Amp | 13 | 1-303287 | 3 | Tie-Cable 5 1/2 (Small) |
| 2:3 | 109355 | 1 | Fuse-Blade, 15 Amp | 14 | 82-2190 | 1 | Switch |
| 2:4 | 109102 | 2 | Fuse-Blade, 25 Amp | 15 | 137-4100 | 1 | Switch-Ignition |
| 2:5 | 116-0053 | 1 | Cap-Plug | 16 | 116-0124 | 1 | Switch-PTO, 10 Amp |
| 3 | 117-3882 | 1 | Fuel/Hour Meter ASM | 17 | 104-2065 | 1 | Screw-HWH #10-24 X 3/8 |
| 4 | 1-603511 | 1 | Key-Ignition | 18 | 115-3864 | 1 | Cable-Battery, Positive |
| 4 | 103-2106 | 1 | Key-Exmark Logo | 19 | 3256-24 | 1 | Washer-3/8 SAE |
| 5 | 110-6765 | 2 | Switch | 20 | 1-303335 | 1 | Tie-Cable 7 15/16 (Large) |
| 6 | 116-0042-03 | 1 | Strap-Tie Down, Battery | 21 | 109-2407 | 1 | Insulator-Battery |
| 7 | 1-633651 | 2 | Bolt-Holddown | 22 | 1-543393 | 1 | Insulator-Solenoid |
| 8 | 1-543792 | 2 | Wingnut-Nyloc 1/4-20 | 23 | 126-6499 | 1 | Port-Power, 12V |
| 9 | 1-643275 | 1 | Relay-12Vdc 40 Amp | 24 | 109-9693 | 1 | Harness, Receptacle 12V |
| 10 | 114-1218 | 1 | Cable-Battery, Negative | | | | |

● Use dielectric grease on all unsealed connectors and terminals only. Do not apply in sealed connectors.

Notes:



MAXIMIZE THE PERFORMANCE OF YOUR EXMARK MACHINE.



EXMARK® PREMIUM ENGINE OIL

Exmark now offers a family of engine oil viscosities to perform well in any environment. Each viscosity has the same synthetic formulation to give you what you need in punishing conditions. We designed each grade to the highest quality, making it ideal even for diesel applications. Coupled with Exmark Premium Fuel Treatment, we have the performance products to make your machine hum.

EXMARK PREMIUM ENGINE OIL SAE 30/10W-30

- Meets zero shear requirements of a straight grade SAE 30 as well as the cold temp properties of a 10W-30.
- Most versatile oil in the industry.
- Superior corrosion protection over conventional oil - even in corrosive, humid environments.

EXMARK PREMIUM ENGINE OIL SAE 20W-50

- Perfect for your big block engine, or any application in severe service.
- Same full synthetic formulation as all other Exmark Premium viscosities.
- Also effective for use in severe service small block engines.

EXMARK PREMIUM ENGINE OIL SAE 10W-50

- Full synthetic formulation gives you peak performance. Don't settle for less.
- Wide span multi-grade combines easy starting in cold weather with maximum protection in high temperature operation.
- Reduce friction & wear over standard mineral formulations.

EXMARK PREMIUM ENGINE OIL SAE 0W-40

- The perfect choice for when the weather turns cold or unpredictable, and your Exmark UTV has to perform.
- Commercial quality for severe service.
- Advanced additive package helps prevent corrosion from long-term storage.

EXMARK PREMIUM ENGINE OIL UTV FORMULATION

- 4-cycle high-temp formulation.
- Heavier viscosity, full synthetic, perfect for your UTV.

EXMARK PREMIUM UTV EXTREME CONDITIONS GEAR OIL

- SAE 80W-90, designed to keep your UTV performing at its peak.
- Shear stable, hypoid gear lube.
- Includes a premium additive system to combat wear, oxidation, rust & corrosion.

Available from your local Exmark dealer. Find your closest dealer at exmark.com

EXMARK ACCESSORIES AND OPTIONS*

MID-MOUNT RIDING ACCESSORIES AND OPTIONS

| | |
|------------------------------------|---------------------------------|
| CUSTOM RIDE SEAT SUSPENSION SYSTEM | OPERATOR CONTROLLED DISCHARGE |
| FULL SUSPENSION SEAT | SUN SHADE |
| DECK LIFT ASSIST KIT | TRASH CONTAINER |
| HITCH KIT | TURF STRIPER |
| LIGHT KIT | ULTRA VAC COLLECTION SYSTEM |
| 12V POWER PORT | ULTRA VAC QUICK DISPOSAL SYSTEM |
| MICRO-MULCH SYSTEM | |

OUT-FRONT RIDING ACCESSORIES AND OPTIONS

| | |
|------------------------------------|---------------------------------|
| CUSTOM RIDE SEAT SUSPENSION SYSTEM | SNOW BLADE |
| DUAL-TAIL WHEEL | SNOWBLOWER |
| FLOOR PAN EXTENDER | SUN SHADE |
| HITCH KIT | TRASH CONTAINER |
| LIGHT KIT | ULTRA VAC COLLECTION SYSTEM |
| MICRO-MULCH SYSTEM | ULTRA VAC QUICK DISPOSAL SYSTEM |
| ROLL OVER PROTECTION SYSTEM (ROPS) | WEATHER CAB |

WALK-BEHIND ACCESSORIES AND OPTIONS

| | |
|--------------------|--------------|
| GRASS CATCHER | TURF STRIPER |
| MICRO-MULCH SYSTEM | STANDON |

*Some accessories and options not available for some models.

Place Model No. and Serial No.
Label Here (Included in the Literature
Pack) or Fill in Below

Model No. _____

Serial No. _____

Date Purchased _____

Engine Model No. and Spec. No. _____

Engine Serial No. (E/No) _____

© 2018 Exmark Mfg. Co., Inc.
2101 Ashland Ave
Beatrice, NE 68310
All Rights Reserved

Part No. 4503-576 Rev. A
(402) 223-6375
Fax (402) 223-5489
Printed in the USA.

