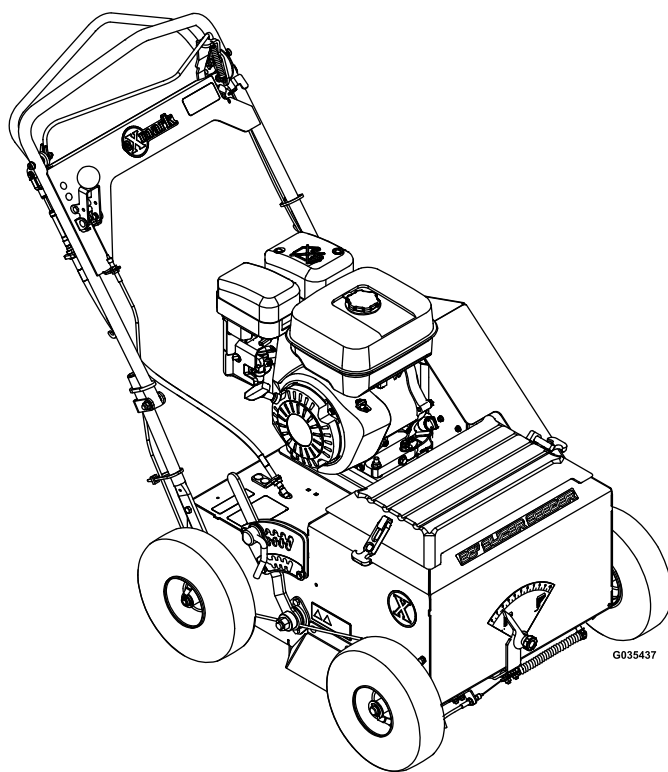




# SLICER SEEDER

Model No. SDS270CSB2000—Serial No. 402082300 and Up

Picture below may not reflect actual product.



# Parts Manual

Part No. 4503-514 Rev. A

# Ordering Replacement Parts

To order replacement parts, please supply the part number, the quantity, and the description of each part desired.

## Understanding Reference Numbers

Each identified part in an illustration has a reference number. The reference number for a part also appears in the parts list, along with other information about the part.

This catalog uses two special reference number formats, one to indicate parts in a service assembly and another to indicate the quantity of a given part in an illustration.

## Service Assembly Reference Numbers

Parts in service assemblies have reference numbers in the form a:b. The a represents the reference number of the entire service assembly and the b represents a sequential number unique to each part within the service assembly.

For example, a wheel assembly might be identified by reference number 6, the tire by 6:1, the valve by 6:2, and the wheel by 6:3. When you order the assembly identified by reference number 6, you receive all parts identified by reference numbers 6:1, 6:2, and 6:3. However, you may also order any part individually. Reference numbers of this type appear in illustration and in parts lists.

## Reference Numbers Indicating Quantity

In an illustration, if a reference number indicates more than one part, the reference number has the form nX y. The n represents the quantity of the part, the X is the multiplication symbol, and the y represents the reference number.

For example, in an illustration, the reference number 2X 37 means that two of the parts identified by reference number 37 are indicated.

# Touch Up Paint

Exmark black touch up spray paint – gloss black.

Exmark red touch up paint (spray paint – P/N 1-850337 - .6 oz liquid bottle – P/N 103-9140).

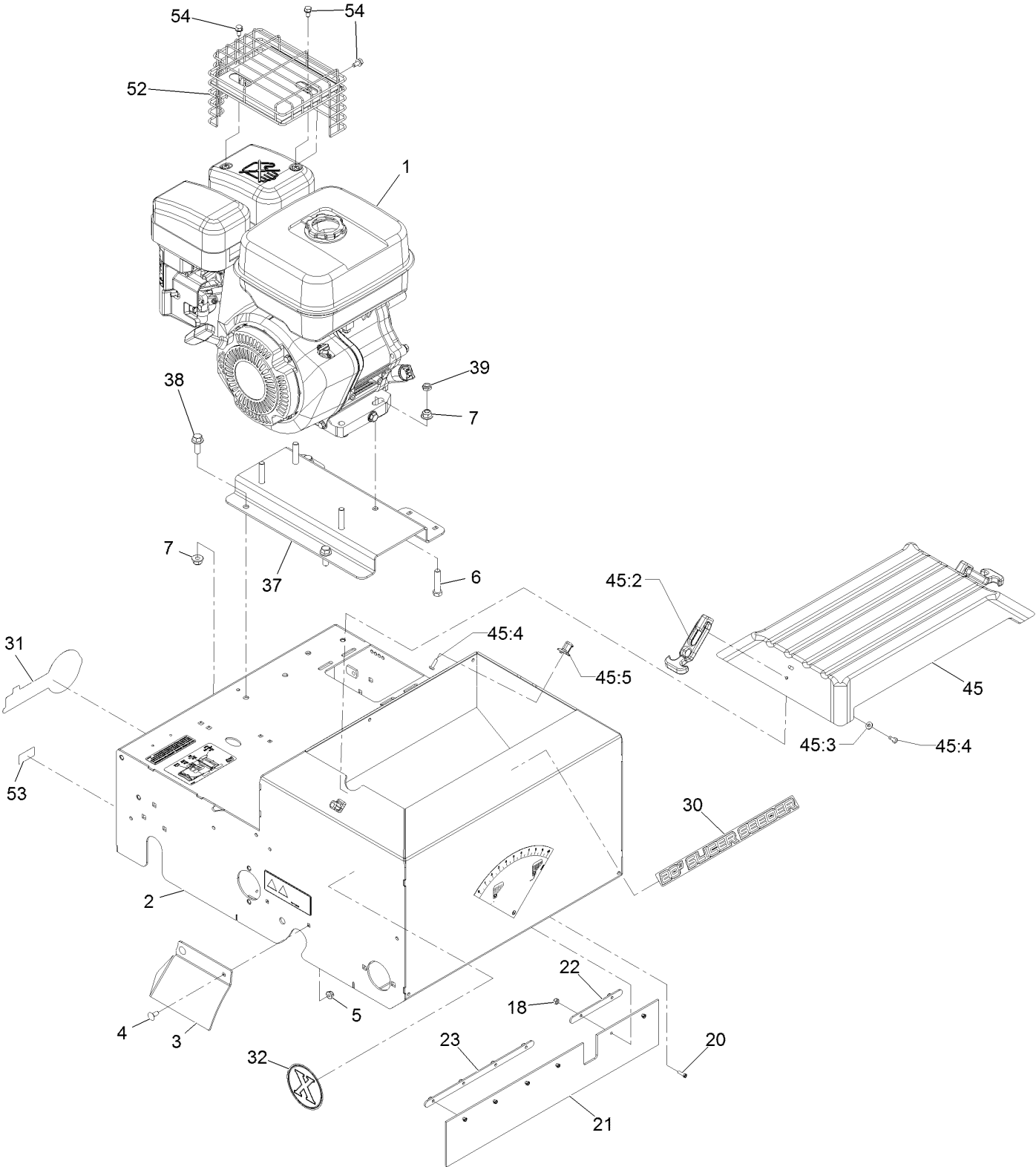


If your Exmark dealer does not have the Exmark part in stock, Exmark will get the parts to the dealer the next business day or the part will be FREE Guaranteed!! (Some restrictions apply. See your participating Exmark Dealer for details.)

## Contents

Main Frame Assembly .....	4
Main Frame Assembly No. 121-6196 .....	6
Handle Assembly .....	8
Cutting Wheel Assembly .....	10
Shaft Assembly No. 126-0034 .....	12
Seed Gate Assembly .....	14
Belt Drive Assembly .....	16
Transmission Assembly .....	18

# Main Frame Assembly

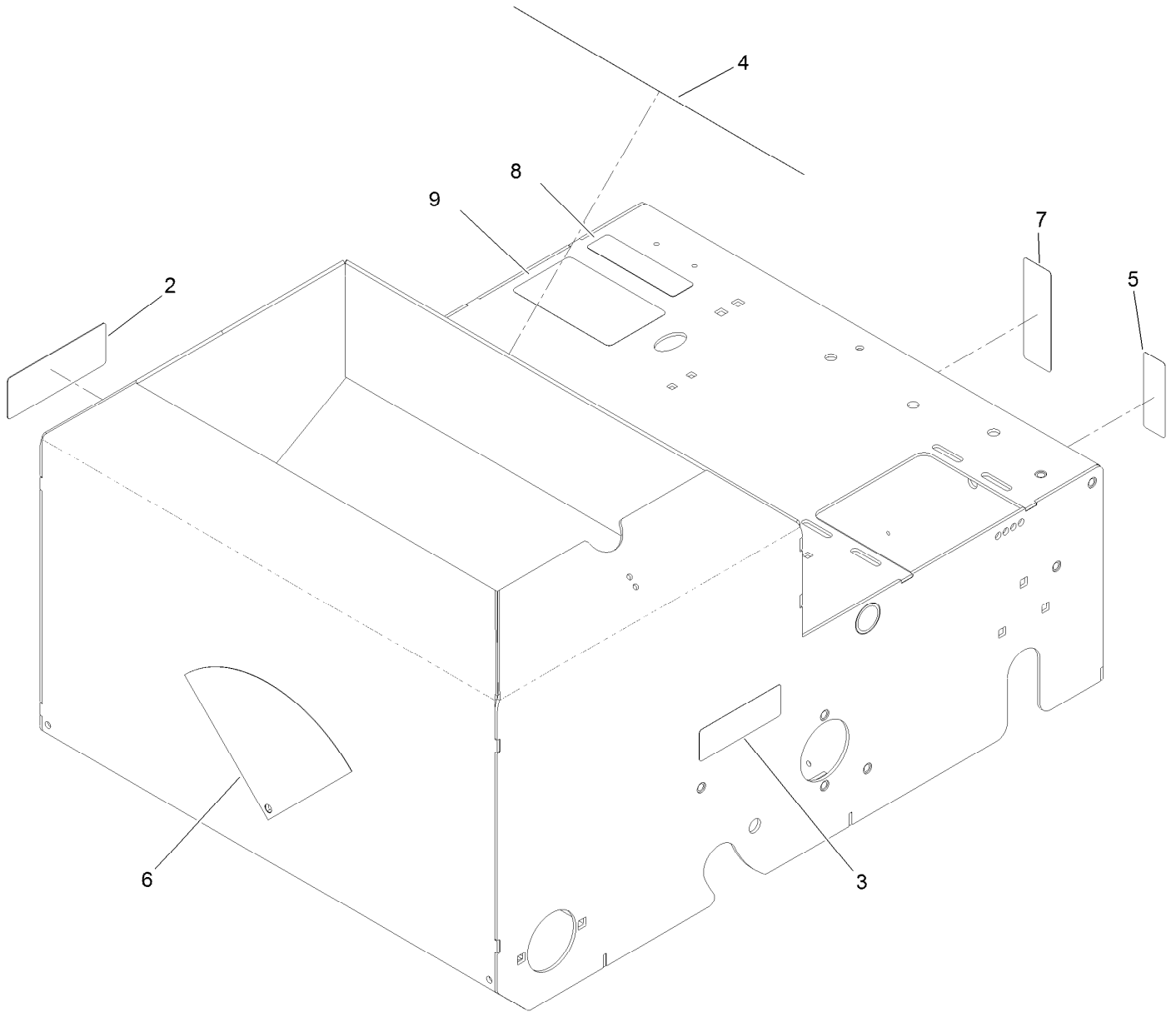


## Main Frame Assembly (continued)

<i>Ref.</i>	<i>Part Number</i>	<i>Qty.</i>	<i>Description</i>	<i>Ref.</i>	<i>Part Number</i>	<i>Qty.</i>	<i>Description</i>
1		1	Engine-Subaru, Ex27 ●	32	126-7194	2	Decal-X-Logo
2	121-6196	1	Frame ASM	37	116-9524-01	1	Plate-Engine
3	121-1896-01	1	Guard-RH	38	3234-42	3	Screw HHF 3/8-16 X 1
4	3229-11	2	Bolt-Carriage 1/4-20 X 5/8	39	3296-59	1	Nut-Nyloc 3/8-16 Thin
5	104-7201	2	Nut-Nyloc 1/4-20 Flg	45	126-1665	1	Seeder Cover Kit
6	323-9	4	Screw-HH 3/8-16 X 1 3/4	45:2	103-4080	2	Latch-Rubber
7	104-8301	7	Nut-Nyloc 3/8-16 Flg	45:3	3256-14	4	Washer-#10 Std
18	3296-1	6	Nut-Nyloc #8-32	45:4	3290-500	6	Screw-PPH #10-24 X 5/8
20	3290-392	6	Screw-SHH #8-32 X 5/8	45:5	103-4081	2	Latch-Keeper
21	121-1990	1	Guard-Dust	52	126-4255	1	Guard, Muffler
22	121-1991	1	Plate-Retainer	53	126-4345	1	Decal-Patent
23	121-1992	1	Plate-Retainer	54	104-2628	3	Screw-HWH M6-1 X 12Mm
30	126-7031	1	Decal-Slicer Seeder Logo				Tf
31	126-6877	1	Decal, Exmark Logo				

● Not serviced separately

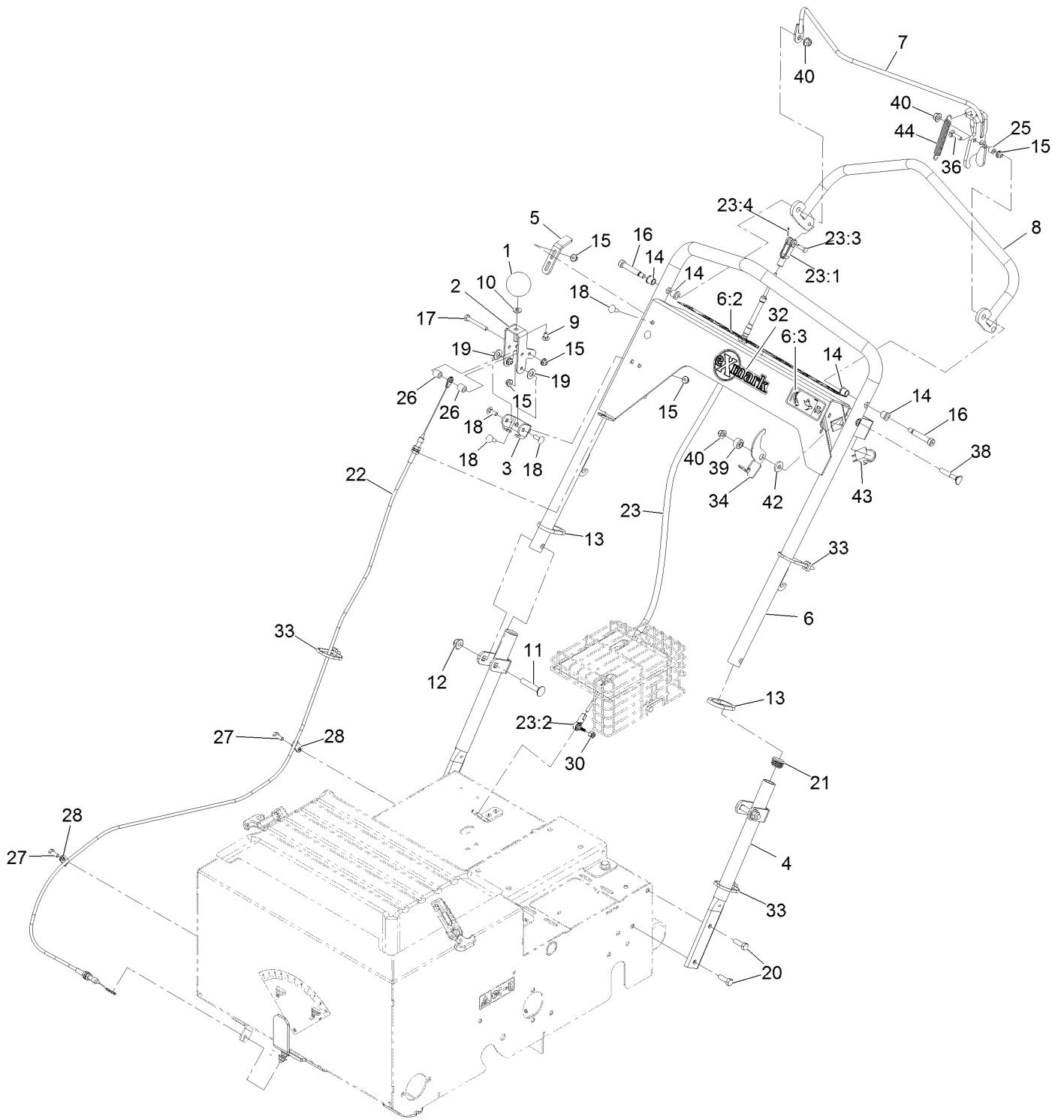
# Main Frame Assembly No. 121-6196



# Main Frame Assembly No. 121-6196 (continued)

<i>Ref.</i>	<i>Part Number</i>	<i>Qty.</i>	<i>Description</i>	<i>Ref.</i>	<i>Part Number</i>	<i>Qty.</i>	<i>Description</i>
2	93-7321	1	Decal-Danger	6	116-8535	1	Decal-Flow, Seed
3	117-4979	1	Decal-Warning, Shields	7	121-6203	1	Decal-Bypass
4	121-2011	1	Decal-Warning	8	117-2718	1	Decal-Arrester, Spark
5	115-9625	1	Decal-Brake, Parking	9	126-0296	1	Decal-Service Aid Seeder

# Handle Assembly



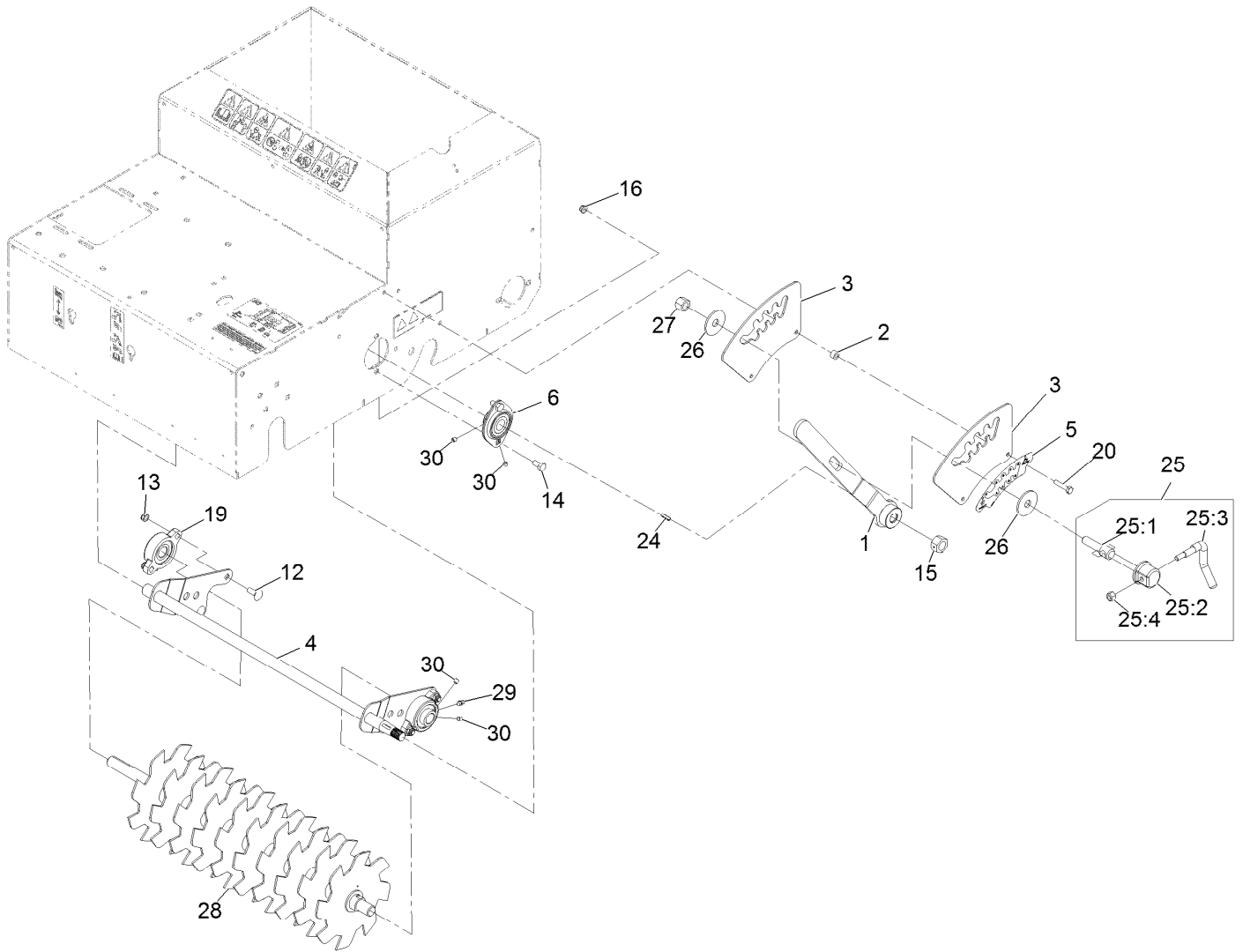


## Handle Assembly (continued)

<i>Ref.</i>	<i>Part Number</i>	<i>Qty.</i>	<i>Description</i>	<i>Ref.</i>	<i>Part Number</i>	<i>Qty.</i>	<i>Description</i>
1	121-1877	1	Knob-Rate, Flow	21	121-4870	2	Plug
2	121-1878	1	Lever-Adjust, Flow	22	126-0042	1	Cable-Flow, Seed
3	121-1879	1	Bracket-Adjust, Flow	23	116-8252	1	Cable-Push Pull
4	121-1893-03	2	Handle-Lower	23:1	121-2000	1	Clevis
5	121-1928	1	Bracket-Adjust, Drive	23:2	117-9720	1	Ball Joint
6	116-9735	1	Handle	23:3	283-67	1	Pin-Clevis
6:2	116-8648	1	Decal-Control Panel, Seeder	23:4	3272-5	1	Pin-Cotter 3/32 X 1/2
6:3	116-8536	1	Decal-Safety Latch	25	66-8010	1	Spacer
7	126-0509-03	1	Bail-Clutch	26	22-7810	2	Spacer
8	121-1948-03	1	Handle-Drive	27	321-3	2	Screw-HH 1/4-20 X 5/8
9	3229-10	1	Bolt-Carriage 1/4-20 X 1/2 ●	28	2412-149	2	Clamp-R
10	3256-22	1	Washer-1/4 SAE	30	3296-3	1	Nut-Nyloc 1/4-28
11	3231-6	2	Bolt-Carriage 3/8-16 X 2	32	126-6575	1	Decal-Exmark Logo
12	104-8301	2	Nut-Nyloc 3/8-16 Flg	33	3290-378	3	Tie-Cable
13	121-6202	2	Ring-Handle Lock	34	126-0205	1	Latch-Bail
14	103-9928	4	Bearing	36	3229-2	1	Bolt-Carriage 1/4-20 X 1
15	104-7201	8	Nut-Nyloc 1/4-20 Flg	38	112-8876	1	Bolt-Carriage 5/16-18 X 2
16	126-0277	2	Screw-Shoulder	39	116-2690	1	Bushing-Stepped
17	321-11	1	Screw-HH 1/4-20 X 2	40	104-8300	3	Nut-Nyloc 5/16-18 Flg
18	3229-1	6	Bolt-Carriage 1/4-20 X 3/4	42	88-7200	1	Washer-Flat
19	48-9220	2	Washer-Plain	43	82-2190	1	Switch
20	322-5	4	Screw-HH 5/16-18 X 1	44	95-3805	1	Spring

● Use Pro-Lock, Nut Type (P/N 1-840022, .5ml tube) on threads.

# Cutting Wheel Assembly

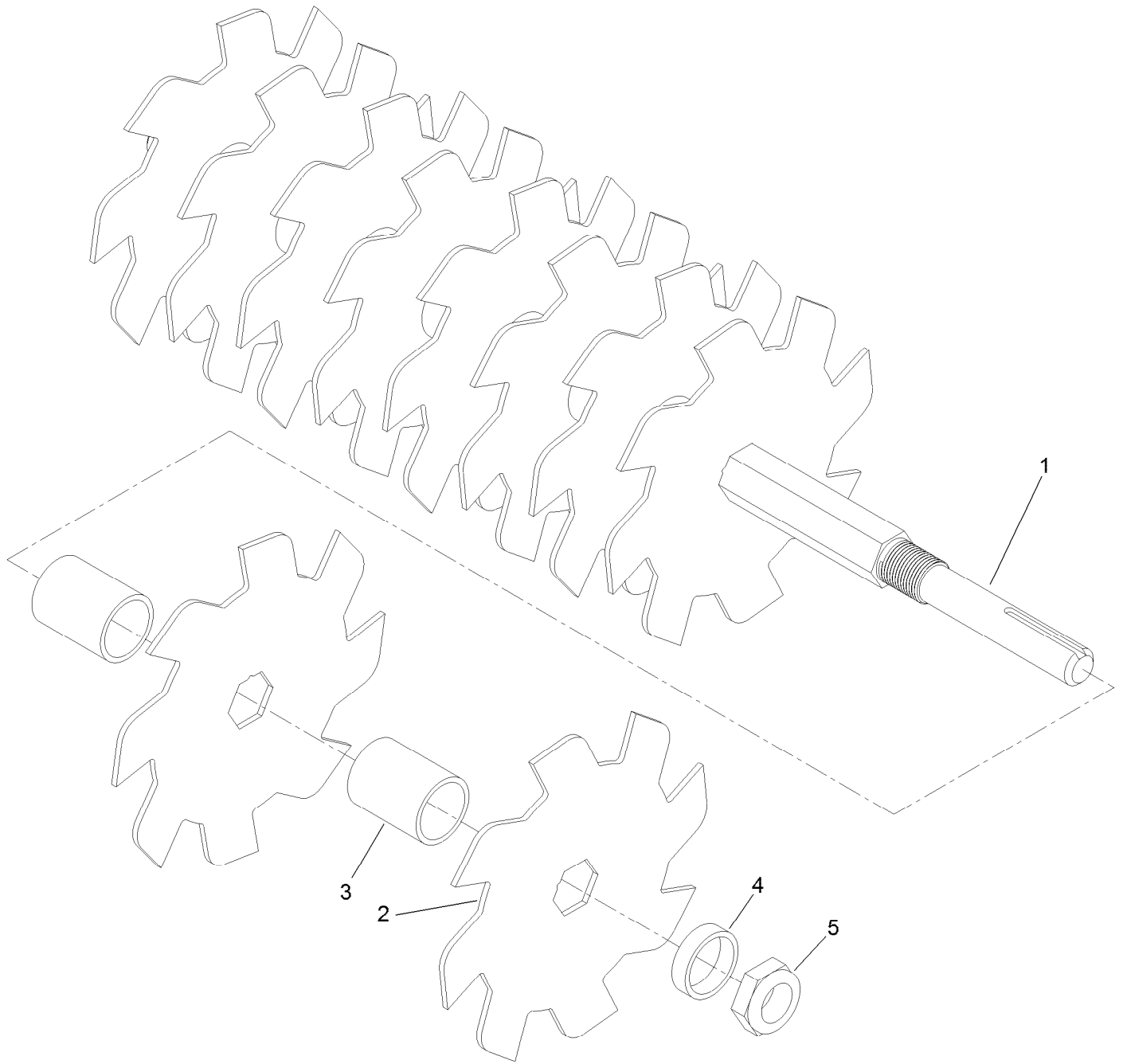


## Cutting Wheel Assembly (continued)

<i>Ref.</i>	<i>Part Number</i>	<i>Qty.</i>	<i>Description</i>	<i>Ref.</i>	<i>Part Number</i>	<i>Qty.</i>	<i>Description</i>
1	116-9932-03	1	Handle-Height	20	321-8	2	Screw-HH 1/4-20 X 1 1/4
2	98-4799	2	Spacer	24	3257-5	1	Key-Woodruff #9 3/4 X 3/16
3	116-9928	2	Plate-Height	25	107-1664	1	Lever ASM
4	126-0010-03	1	Pivot-Height	25:1	106-3239	1	Screw-Lock
5	126-2446	1	Decal-Cut Depth, Slicer/Seeder	25:2	107-1644	1	Cap-Lock
6	121-1961	2	Bearing	25:3	106-3241	1	Lever-Lock
12	3230-16	4	Bolt-Carriage 5/16-18 X 7/8	25:4	3296-29	1	Nut-Nyloc 5/16-18
13	3296-47	4	Nut-Nyloc 5/16-18 Thin	26	86-1990	2	Washer
14	322-2	4	Screw-HH 5/16-18 X 5/8	27	3296-23	1	Nut-Nyloc 1/2-13
15	603164	1	Nut-Blade	28	126-0034	1	Slicer Shaft ASM
16	104-7201	2	Nut-Nyloc 1/4-20 Flg	29	302-19	2	Zerk-1/4-28 Str ●
19	116-9992	2	Bearing-Flange	30	3245-35	8	Screw-Set HSH 1/4-28 X 1/4 ●

● Use Pro-Lock, Nut Type (P/N 1-840022, .5ml tube) on threads.

# Shaft Assembly No. 126-0034

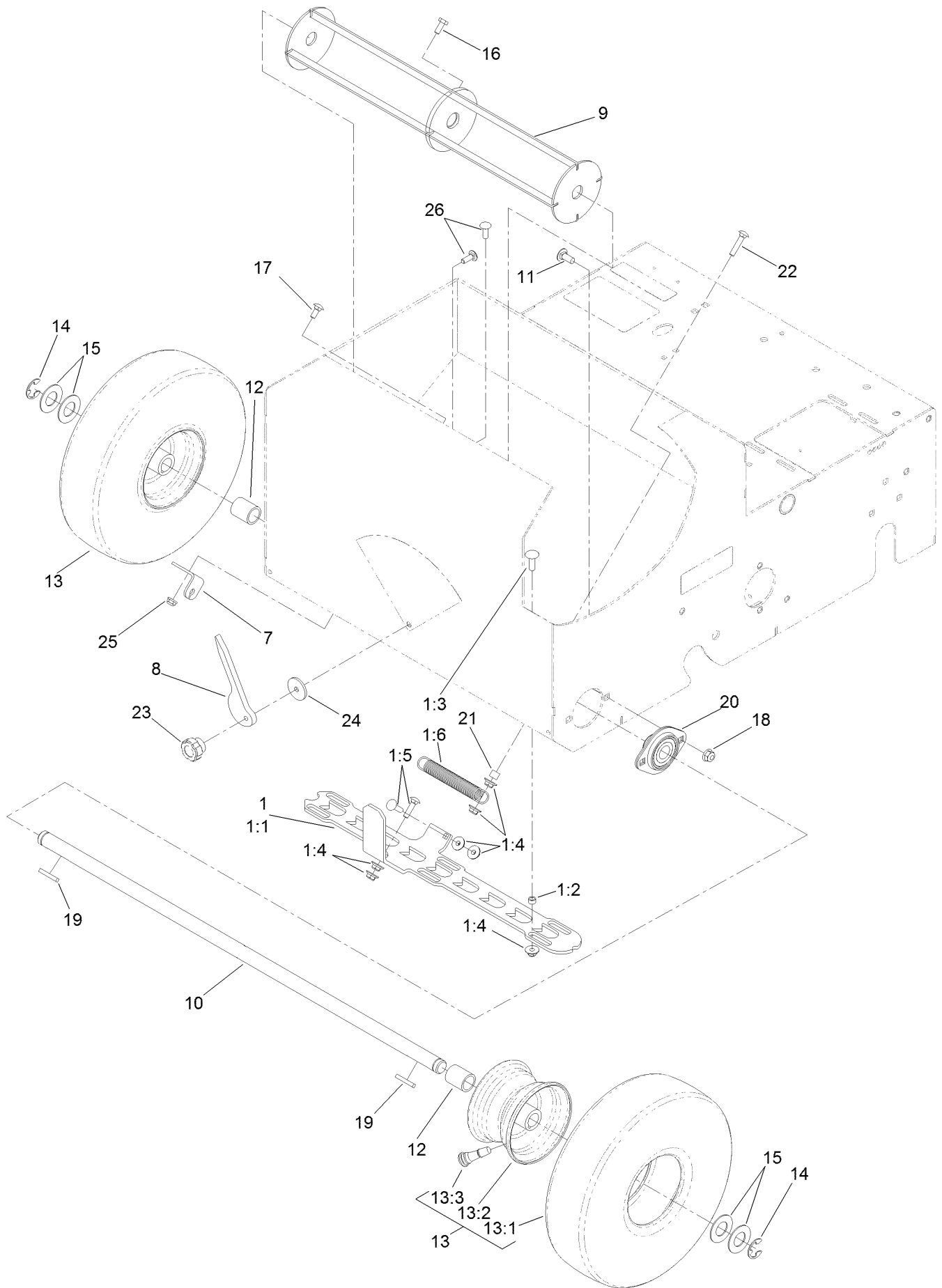


## Shaft Assembly No. 126-0034 (continued)

<i>Ref.</i>	<i>Part Number</i>	<i>Qty.</i>	<i>Description</i>
1	126-0009	1	Shaft-Slicer
2	121-1931	10	Blade-Cutting, Seeder
3	126-0041	9	Spacer-Blade

<i>Ref.</i>	<i>Part Number</i>	<i>Qty.</i>	<i>Description</i>
4	126-0033	1	Spacer
5	3296-60	1	Nut-Lock, NI

# Seed Gate Assembly

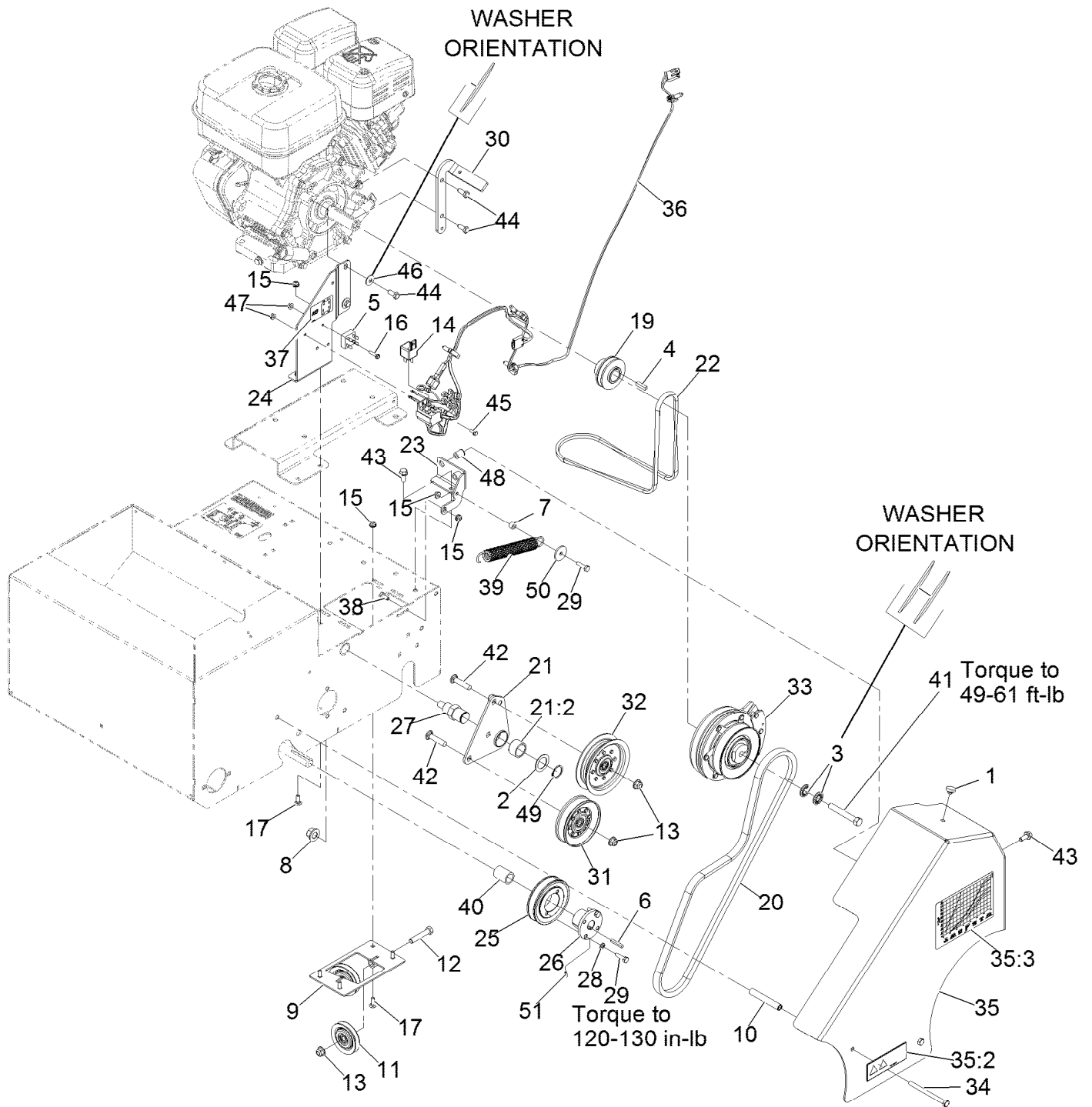


## Seed Gate Assembly (continued)

<i>Ref.</i>	<i>Part Number</i>	<i>Qty.</i>	<i>Description</i>	<i>Ref.</i>	<i>Part Number</i>	<i>Qty.</i>	<i>Description</i>
1	126-0815	1	Seed Gate Kit	13:2	121-6082	1	Wheel-Rim
1:1	126-0415	1	Gate-Seed	13:3	5108	1	Valve
1:2	126-0416	6	Spacer	14	32151-48	2	E-Ring
1:3	1-807512	6	Bolt-CARR	15	3256-39	4	Washer-Flat
1:4	114-3778	12	Nut-HF	16	321-3	1	Screw-HH ●
1:5	3229-2	3	Screw-CARR	17	3229-11	2	Screw-CARR
1:6	121-2016	2	Spring-Extension	18	104-8300	4	Nut-HF, NI
7	121-1907	1	Bracket-Seed Flow	19	92-0049	2	Key-Square
8	121-1912	1	Gauge-Seed Flow	20	121-1961	2	Bearing
9	125-3782-03	1	Mixer	21	66-8010	2	Spacer
10	121-1929	1	Axle-Front ■	22	3229-3	2	Screw-CARR
11	3230-23	4	Screw-CARR	23	233-67	1	Knob-Chute
12	105-3838	2	Spacer	24	103995	1	Washer
13	120-3550	2	Wheel ASM	25	104-7201	2	Nut-HF
13:1	121-6081	1	Tire	26	1-807512	1	Bolt-CARR

- Use Pro-Lock, Nut Type (P/N 1-840022, .5ml tube) on threads.
- Apply anti-seize compound to axle ends before installing tires.

# Belt Drive Assembly





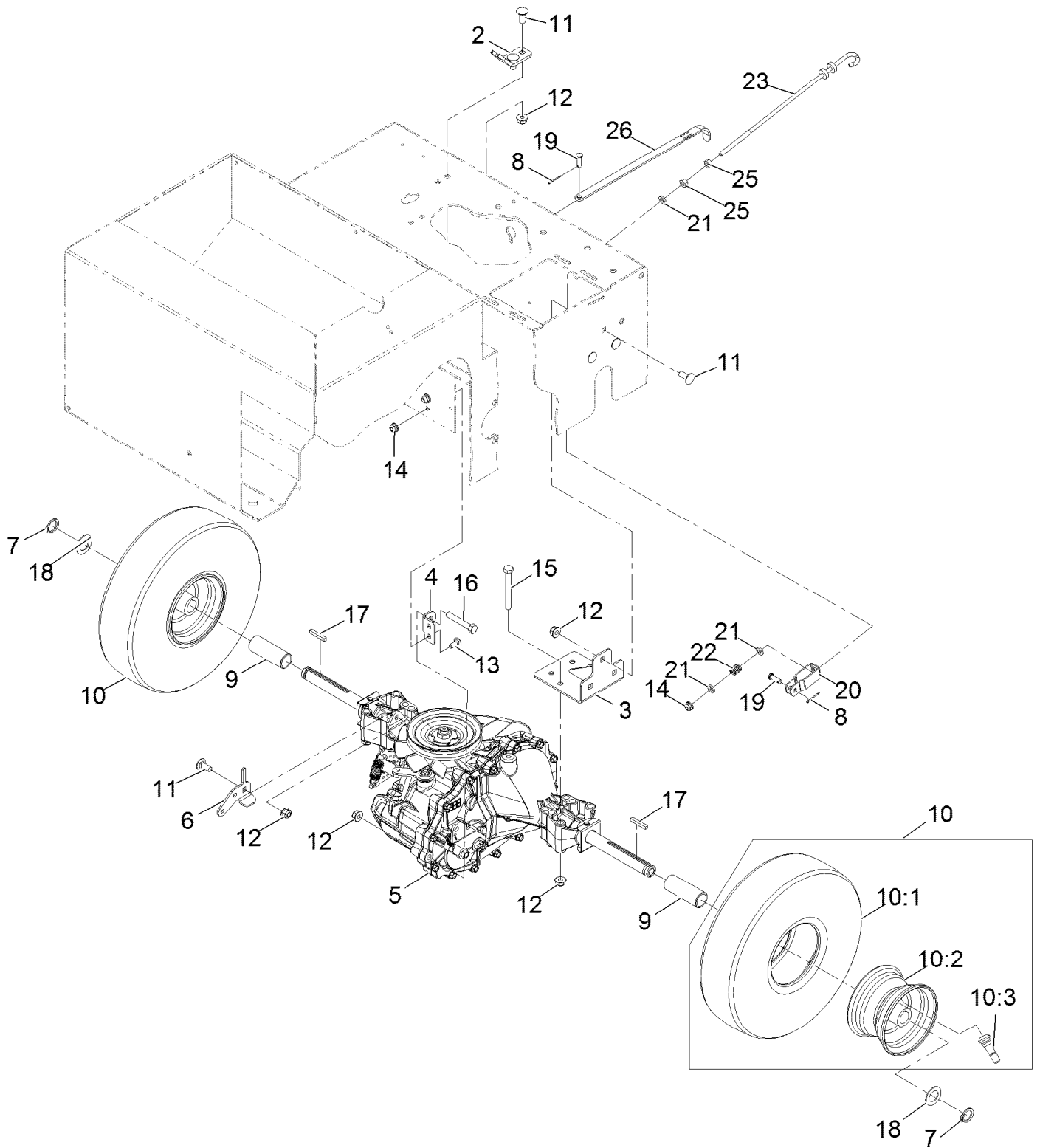
## Belt Drive Assembly (continued)

<i>Ref.</i>	<i>Part Number</i>	<i>Qty.</i>	<i>Description</i>	<i>Ref.</i>	<i>Part Number</i>	<i>Qty.</i>	<i>Description</i>
1	1-513658	1	Bumper	27	116-9539	1	Pivot-Idler
2	1-543436	1	Washer-Spacer	28	3253-3	2	Washer-Lock 1/4
3	1-603610	2	Washer-Spring Disc 7/16	29	321-6	3	Screw-HH 1/4-20 X 1
4	1-807259	1	Key-Machine 1/4 X 1/4 X 1	30	116-9551	1	Stop-Clutch
5	37-7600	1	Rectifier-Bridge	31	116-9623	1	Pulley-Idler V
6	92-0049	1	Key-Machine 3/16 X 3/16 X 1 1/4	32	116-9728	1	Pulley-Idler Flat (4.06-Inch)
7	98-4799	1	Spacer	33	116-9852	1	Clutch-Electric
8	99-5107	1	Nut-Lock 1/2-13	34	322-19	2	Screw-HH 5/16-18 X 4
9	126-0418-03	1	Pulley-Tension	35	116-9925	1	Belt Guard ASM
10	104-0502	2	Spacer-Kickstand, Long	35:2	93-7321	1	Decal-Danger
11	121-1965	2	Pulley-Idler	35:3	116-8537	1	Decal-Seed Graph
12	323-10	2	Screw-HH 3/8-16 X 2	36	116-9926	1	Harness-Slicer/Seeder ■
13	104-8301	4	Nut-Nyloc 3/8-16 Flg	37	116-9985	1	Decal-Bridge Rectifier
14	105-4145	1	Relay	38	321-3	1	Screw-HH 1/4-20 X 5/8
15	104-7201	8	Nut-Nyloc 1/4-20 Flg	39	126-0091	1	Spring-Extension
16	106-9169	1	Screw-HWH	40	126-0108	1	Spacer
17	3229-1	6	Bolt-Carriage 1/4-20 X 3/4	41	3212-12	1	Screw-HH 7/16-20 X 3 ●
19	116-9471	1	Pulley-Mule Drive	42	3231-29	2	Bolt-Carriage 3/8-16 X 1 3/4
20	116-9518	1	Belt-Seeder, Clutch	43	3234-47	3	Screw-HH Flg 5/16-18 X 3/4
21	116-9519	1	Idler Arm ASM	44	3235-6	4	Screw-HH 5/16-24 X 3/4
21:2	116-9538	1	Bushing	45	3290-321	1	Screw-HWH
22	116-9532	1	Belt-Mule Drive	46	3290-456	2	Washer-Spring Disc
23	116-9533-01	1	Bracket-Spring	47	32128-17	2	Nut-Flange #10-24 Top Lock
24	116-9534-01	1	Support-Engine	48	32148-7	2	Nut-Insert
25	121-2019	1	Sheave-Taper Lock	49	32151-29	1	Ring-Retaining
26	121-2022	1	Bushing-Taper Lock	50	103995	1	Washer
				51	126-0284	1	Screw-Set, Hs

● Use Pro-Lock, Nut Type (P/N 1-840022, .5ml tube) on threads.

■ Use dielectric grease on all unsealed connectors and terminals only. Do not apply in sealed connectors.

# Transmission Assembly



## Transmission Assembly (continued)

<i>Ref.</i>	<i>Part Number</i>	<i>Qty.</i>	<i>Description</i>	<i>Ref.</i>	<i>Part Number</i>	<i>Qty.</i>	<i>Description</i>
2	121-1897	1	Bracket-Cable	13	3229-11	2	Bolt-Carriage 1/4-20 X 5/8
3	121-1901-03	2	Bracket-Axle	14	104-7201	3	Nut-Nyloc 1/4-20 Flg
4	121-1904	1	Bracket-Transaxle, Torque	15	322-13	8	Screw-HH 5/16-18 X 2 3/4
5	121-1908	1	Transaxle ASM ●	16	322-10	1	Screw-HH 5/16-18 X 2
6	121-1909	1	Bracket-Transaxle	17	92-0049	2	Key-Machine 3/16 X 3/16 X 1 1/4
7	32120-93	2	Ring-Retaining	18	67-9410	2	Washer
8	3272-4	2	Pin-Cotter	19	1-808265	2	Pin-Clevis 1/4 X 3/4
9	121-1988	2	Spacer	20	39-3080	1	Clevis
10	120-3550	2	Wheel ASM	21	55-9620	3	Spacer
10:1	121-6081	1	Tire	22	63-4220	1	Spring-Compression
10:2	121-6082	1	Wheel-Rim	23	121-2018	1	Rod-Brake
10:3	5108	1	Valve	25	3217-5	2	Nut-Hex 1/4-20
11	3230-23	9	Bolt-Carriage 5/16-18 X 3/4 Short Neck	26	121-2039	1	Lever-Bypass
12	104-8300	18	Nut-Nyloc 5/16-18 Flg				

● Apply anti-seize compound to axle ends before installing tires.

## EXMARK ACCESSORIES AND OPTIONS\*

### MID-MOUNT RIDING ACCESSORIES AND OPTIONS

CUSTOM RIDE SEAT SUSPENSION SYSTEM	OPERATOR CONTROLLED DISCHARGE
FULL SUSPENSION SEAT	SUN SHADE
DECK LIFT ASSIST KIT	TRASH CONTAINER
HITCH KIT	TURF STRIPER
LIGHT KIT	ULTRA VAC COLLECTION SYSTEM
12V POWER PORT	ULTRA VAC QUICK DISPOSAL SYSTEM
MICRO-MULCH SYSTEM	

### OUT-FRONT RIDING ACCESSORIES AND OPTIONS

CUSTOM RIDE SEAT SUSPENSION SYSTEM	SNOW BLADE
DUAL-TAIL WHEEL	SNOWBLOWER
FLOOR PAN EXTENDER	SUN SHADE
HITCH KIT	TRASH CONTAINER
LIGHT KIT	ULTRA VAC COLLECTION SYSTEM
MICRO-MULCH SYSTEM	ULTRA VAC QUICK DISPOSAL SYSTEM
ROLL OVER PROTECTION SYSTEM (ROPS)	WEATHER CAB

### WALK-BEHIND ACCESSORIES AND OPTIONS

GRASS CATCHER	TURF STRIPER
MICRO-MULCH SYSTEM	STANDON

\*Some accessories and options not available for some models.

Place Model No. and Serial No.  
Label Here (Included in the Literature  
Pack) or Fill in Below

Model No. \_\_\_\_\_

Serial No. \_\_\_\_\_

Date Purchased \_\_\_\_\_

Engine Model No. and Spec. No. \_\_\_\_\_

Engine Serial No. (E/No) \_\_\_\_\_

© 2017 Exmark Mfg. Co., Inc.  
Industrial Park Box 808  
Beatrice, NE 68310  
All Rights Reserved

Part No. 4503-514 Rev. A  
(402) 223-6375  
Fax (402) 223-5489  
Printed in the USA.

