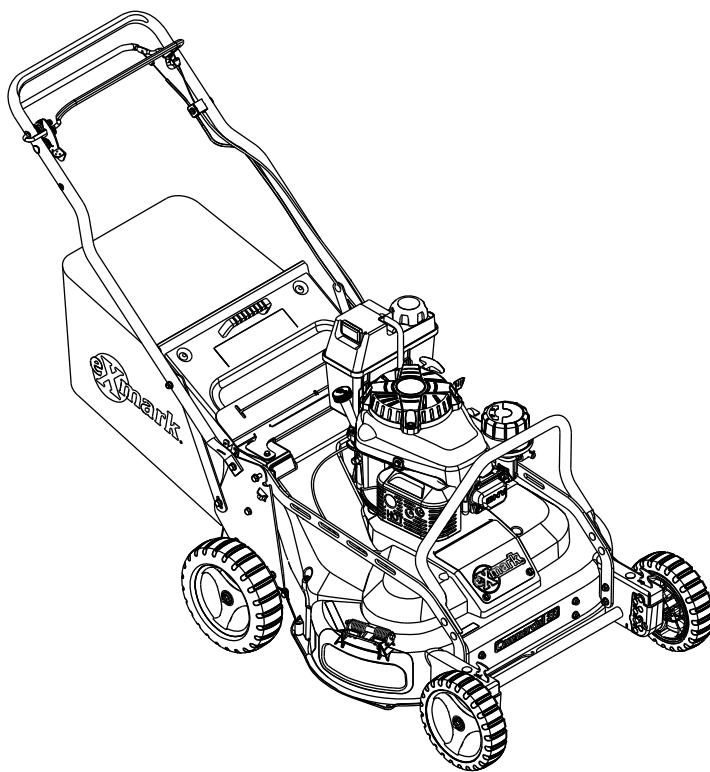




COMMERCIAL 30

Model No. ECS180CKA30000—Serial No. 402082300 and Up

Picture below may not reflect actual product.



Parts Manual

Part No. 4503-504 Rev. A

Ordering Replacement Parts

To order replacement parts, please supply the part number, the quantity, and the description of each part desired.

Understanding Reference Numbers

Each identified part in an illustration has a reference number. The reference number for a part also appears in the parts list, along with other information about the part.

This catalog uses two special reference number formats, one to indicate parts in a service assembly and another to indicate the quantity of a given part in an illustration.

Service Assembly Reference Numbers

Parts in service assemblies have reference numbers in the form a:b. The a represents the reference number of the entire service assembly and the b represents a sequential number unique to each part within the service assembly.

For example, a wheel assembly might be identified by reference number 6, the tire by 6:1, the valve by 6:2, and the wheel by 6:3. When you order the assembly identified by reference number 6, you receive all parts identified by reference numbers 6:1, 6:2, and 6:3. However, you may also order any part individually. Reference numbers of this type appear in illustration and in parts lists.

Reference Numbers Indicating Quantity

In an illustration, if a reference number indicates more than one part, the reference number has the form nX y. The n represents the quantity of the part, the X is the multiplication symbol, and the y represents the reference number.

For example, in an illustration, the reference number 2X 37 means that two of the parts identified by reference number 37 are indicated.

Touch Up Paint

Exmark black touch up spray paint – gloss black.

Exmark red touch up paint (spray paint – P/N 1-850337 - .6 oz liquid bottle – P/N 103-9140).

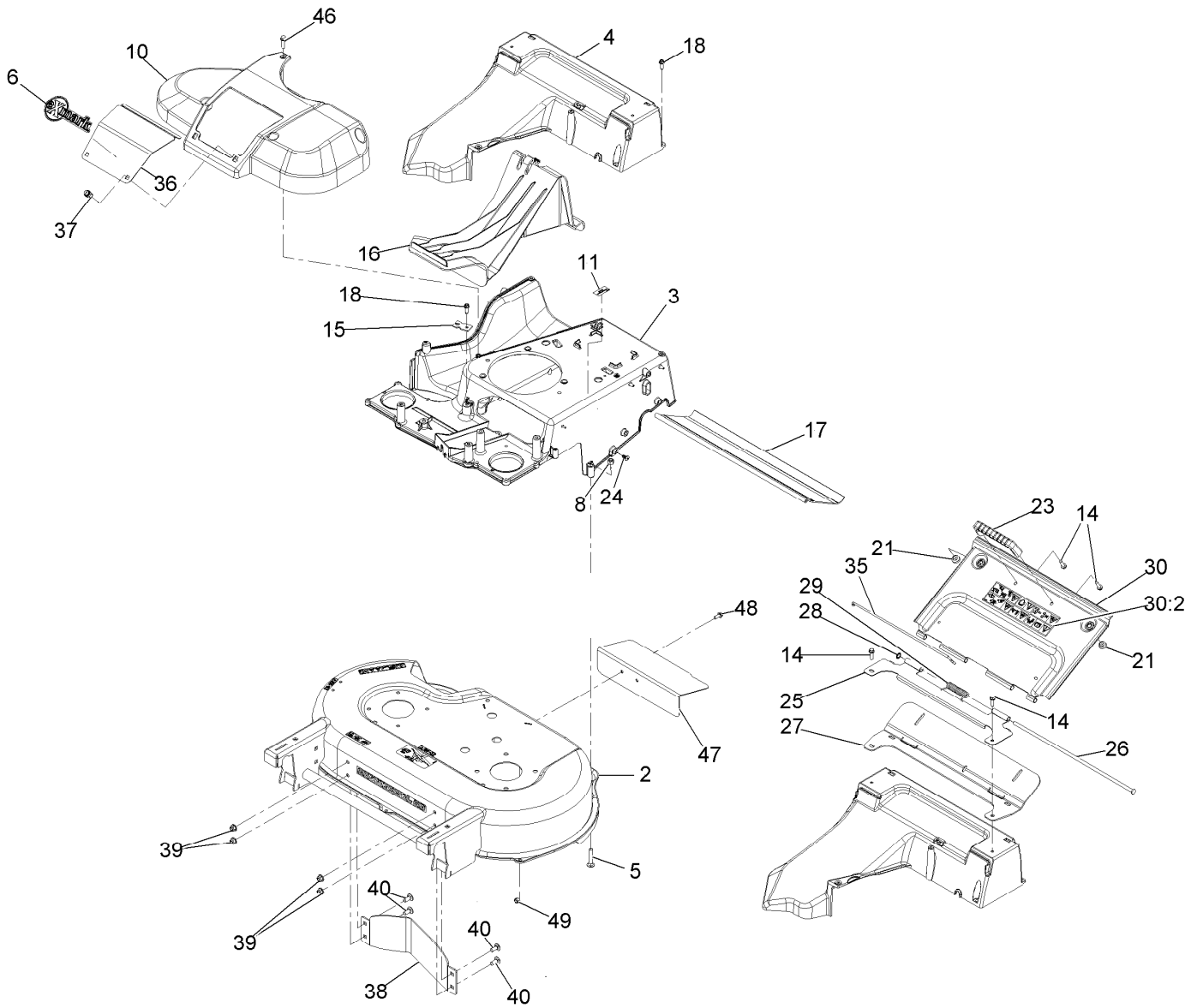


If your Exmark dealer does not have the Exmark part in stock, Exmark will get the parts to the dealer the next business day or the part will be FREE Guaranteed!! (Some restrictions apply. See your participating Exmark Dealer for details.)

Contents

Deck, Frame, and Chute Assembly	4
Deck W/Decals Assembly	6
Spindle and Blade Assembly	8
Pulleys and Idler Assembly	10
Side Discharge Chute Assembly	12
Bag Assembly	14
Engine Assembly	16
Front Bumper and Wheel Assembly	18
Deck and Wheel Assembly	20
Handle Assembly-Type A	22
Handle Assembly-Type B	24

Deck, Frame, and Chute Assembly



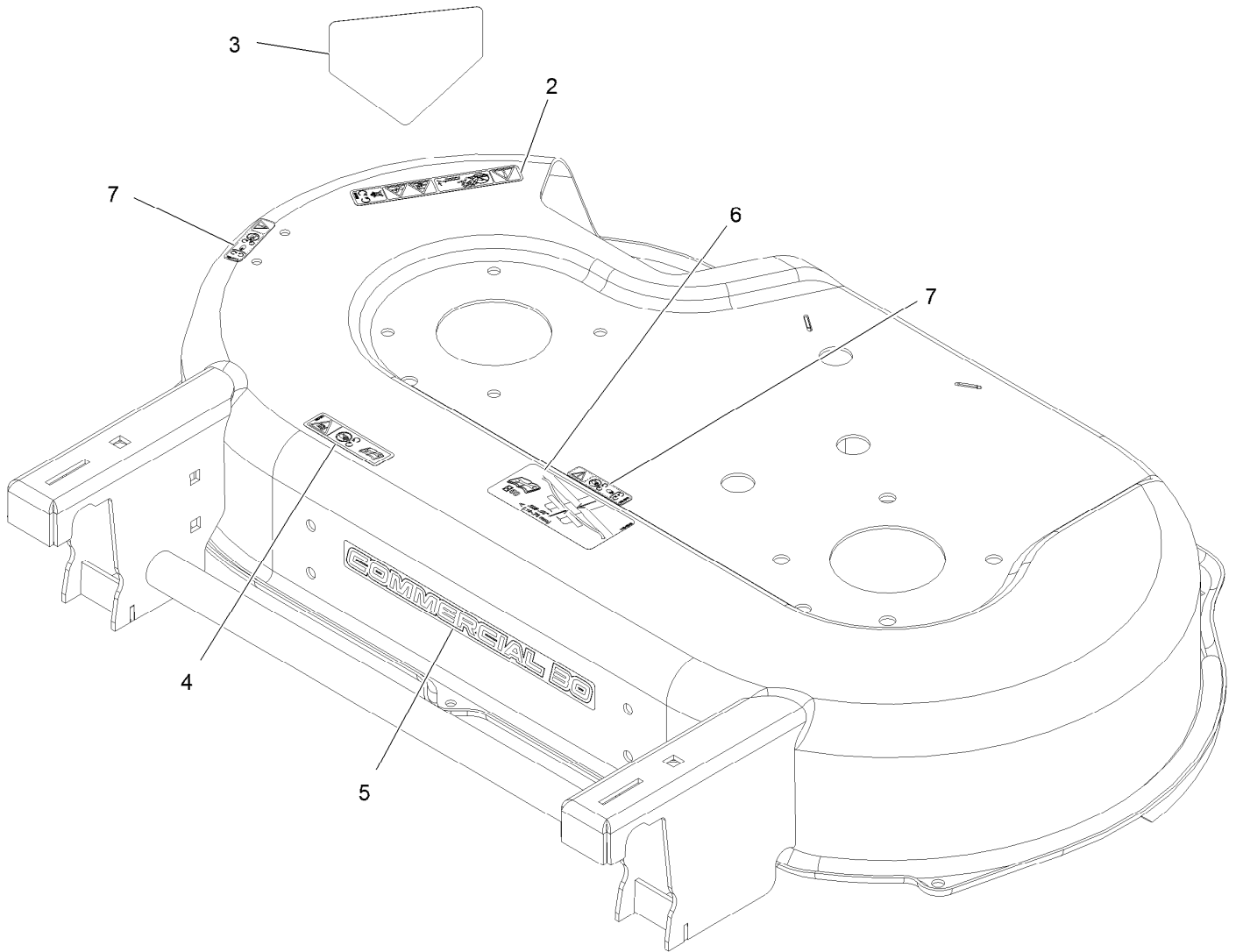
Deck, Frame, and Chute Assembly (continued)

<i>Ref.</i>	<i>Part Number</i>	<i>Qty.</i>	<i>Description</i>	<i>Ref.</i>	<i>Part Number</i>	<i>Qty.</i>	<i>Description</i>
2	126-7582	1	Deck-30, W/Decals	28	32151-72	1	Ring-Retaining
3	136-5908-01	1	Frame	29	116-7573	1	Spring-Torsion, Cover
4	133-8177	1	Chute	30	116-8355	1	Rear Door ASM
5	3230-5	2	Bolt-Carriage 5/16-18 X 1 3/4	30:2	116-7583	1	Decal-Warning
6	126-6575	1	Decal-Exmark Logo	35	116-6966	1	Clip-Seal
8	3296-29	2	Nut-Nyloc 5/16-18	36	121-5793-03	1	Door-Access
10	121-5810	1	Cover-Belt	37	121-5840	2	Fastener
11	126-4345	1	Decal-Patent	38	130-2352-01	1	Baffle-Control
14	46-8091	4	Screw-HWH 1/4-10 X .82 Plastite	39	104-8300	4	Nut-Nyloc 5/16-18 Flg
15	107-7497	1	Bracket-Cable, Traction	40	3274-55	4	Screw-Button Head 5/16-18 X 3/4
16	120-5225	1	Plug-Mulch	46	32144-86	1	Screw-HWH 1/4-20 X 1 Tf
17	121-5841	1	Shield-Trailing	47	126-6381-01	1	Deflector-Rear, 30" Deck ■
18	49-2040	8	Screw-HWH 1/4-20 X 3/4 Tf	48	32144-85	2	Screw-HWH ■
21	1-513658	2	Bumper	49	3296-42	2	Nut-Nyloc 1/4-20 ■
23	65-5100	1	Handle-Door	99	125-5072	1	Frame Plate Kit ●
24	117-1092	2	Screw-PTH	99:1	125-2542	1	Plate-Frame ●
25	116-6351-03	1	Bracket-Hinge	99:2	3229-3	3	Bolt-Carriage 1/4-20 X 1 1/4 ●
26	116-6933	1	Pin-Hinge	99:3	3296-42	3	Nut-Nyloc 1/4-20 ●
27	116-6229	1	Seal-Door				

● Not illustrated

■ Not available on some models.

Deck W/Decals Assembly



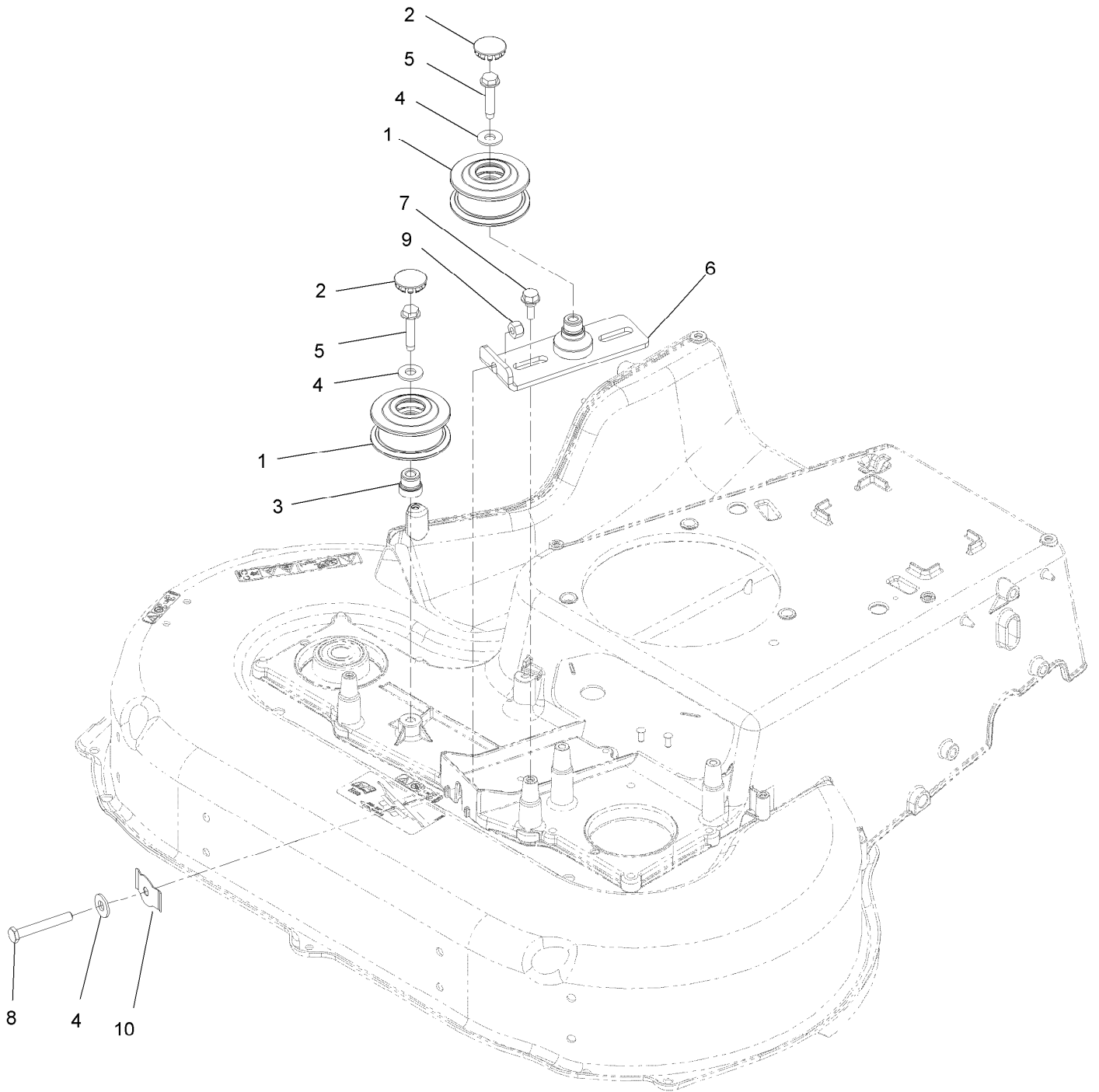
Deck W/Decals Assembly (continued)

<i>Ref.</i>	<i>Part Number</i>	<i>Qty.</i>	<i>Description</i>	<i>Ref.</i>	<i>Part Number</i>	<i>Qty.</i>	<i>Description</i>
2	93-7009	1	Decal-Danger	5	126-6889	1	Decal-Commercial 30
3	94-8072	1	Decal-Danger	6	116-8528	1	Decal
4	116-7581	1	Decal-Warning	7	120-9570	2	Decal-Warning

Spindle and Blade Assembly (continued)

<i>Ref.</i>	<i>Part Number</i>	<i>Qty.</i>	<i>Description</i>	<i>Ref.</i>	<i>Part Number</i>	<i>Qty.</i>	<i>Description</i>
1	121-9107	2	Spindle ASM	18	126-6453	1	Bracket-Idler
1:2	120-7935	2	Spacer	19	120-7024	2	Screw-HH Flg 1/4-20 X 3/4 Tf
1:3	136-5441	2	Bearing-Ball	20	120-3335	1	Belt-Synchronous
2	132-4498	10	Screw-HWH	21	120-5245-03	1	Guide-Belt, Spindle
3	120-5234	1	Shaft-Spindle	22	120-5236	2	Adapter-Blade
4	120-5235	1	Shaft-Spindle	23	121-5808	1	Spring-Extension, Brake
5	121-9100	2	Sprocket	24	125-2466	2	Bolt-Blade
6	130-6664	1	Pulley-Brake, Spindle	25	49-2040	2	Screw-HWH 1/4-20 X 3/4 Tf
7	109-9505	2	Washer, Spring Disc 1/2	26	120-7082	1	Pulley-Idler
8	3296-19	2	Nut-Nyloc 1/2-20	27	322-6	1	Screw-HH 5/16-18 X 1 1/4
9	322-13	1	Screw-HH 5/16-18 X 2 3/4	28	3296-47	1	Nut-Nyloc 5/16-18 Thin
10	136-5903	1	Brake Arm ASM	29	116-6358-03	2	Blade-Rotary
10:4	131-0819	2	Bushing-Sleeve	30	121-2336	1	Spring-Flat
11	5-4460	2	Washer-Pivot	31	131-0823	1	Spacer-Brake
13	9114524	1	Bolt-HH 5/16-18 X 2 1/4 Tap	32	126-7151	2	Plug-Button
14	3256-3	4	Washer-5/16 Std	34	131-4504	1	Adapter-Bore
16	3296-29	2	Nut-Nyloc 5/16-18	35	133-1964	1	Hose-Coolant
17	126-7890	1	Pulleys And Idler Kit				

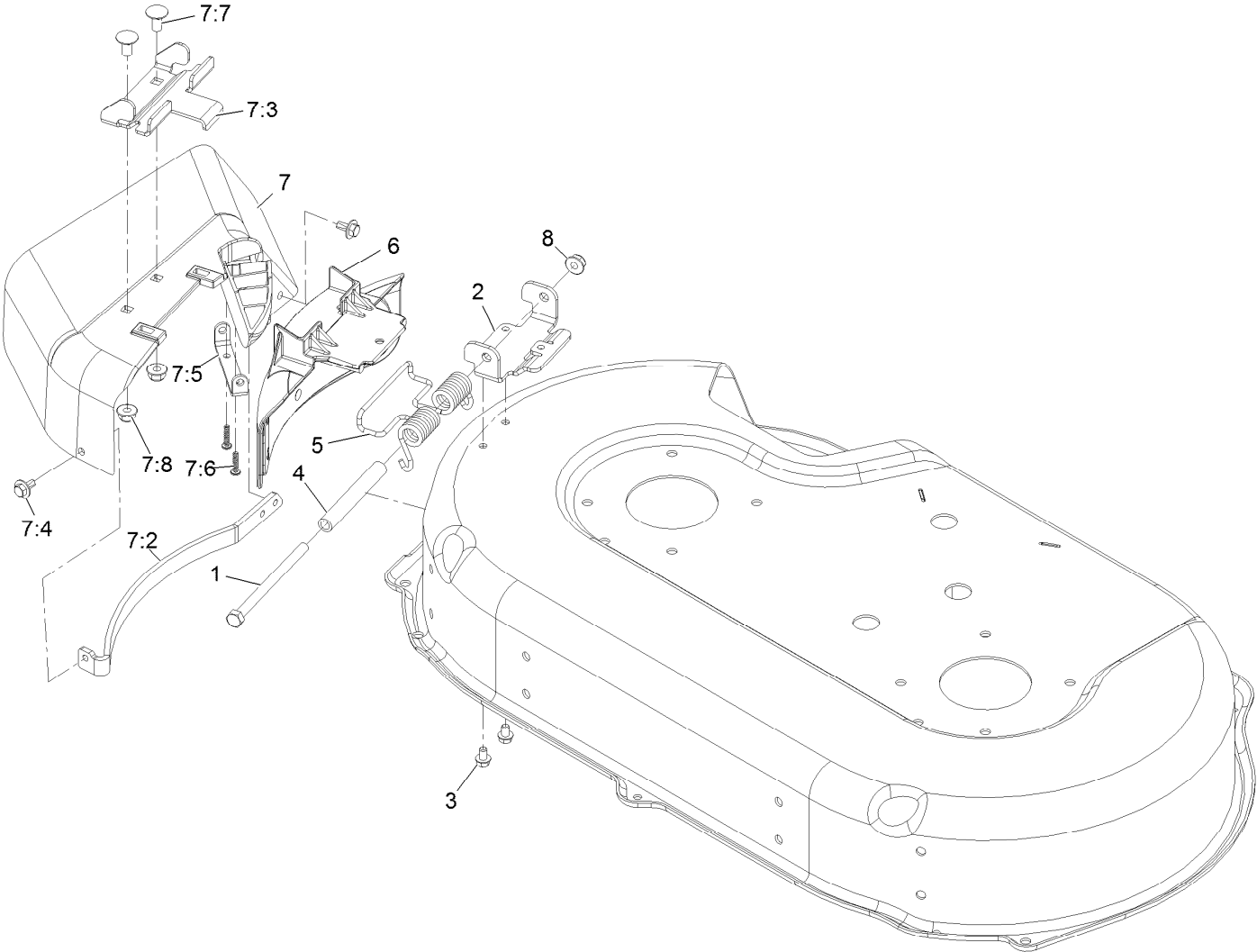
Pulleys and Idler Assembly



Pulleys and Idler Assembly (continued)

<i>Ref.</i>	<i>Part Number</i>	<i>Qty.</i>	<i>Description</i>	<i>Ref.</i>	<i>Part Number</i>	<i>Qty.</i>	<i>Description</i>
1	126-5880	2	Pulley-Idler, Flat	6	126-6453	1	Bracket-Idler
2	126-7151	2	Plug-Button	7	120-7024	2	Screw-Shoulder, HHF
3	131-4504	1	Adapter-Bore	8	9114524	1	Bolt-TAP, HH
4	3256-3	3	Washer-Flat	9	3296-29	1	Nut-Lock, NI
5	132-4498	2	Screw-HWH	10	121-2336	1	Spring-Flat

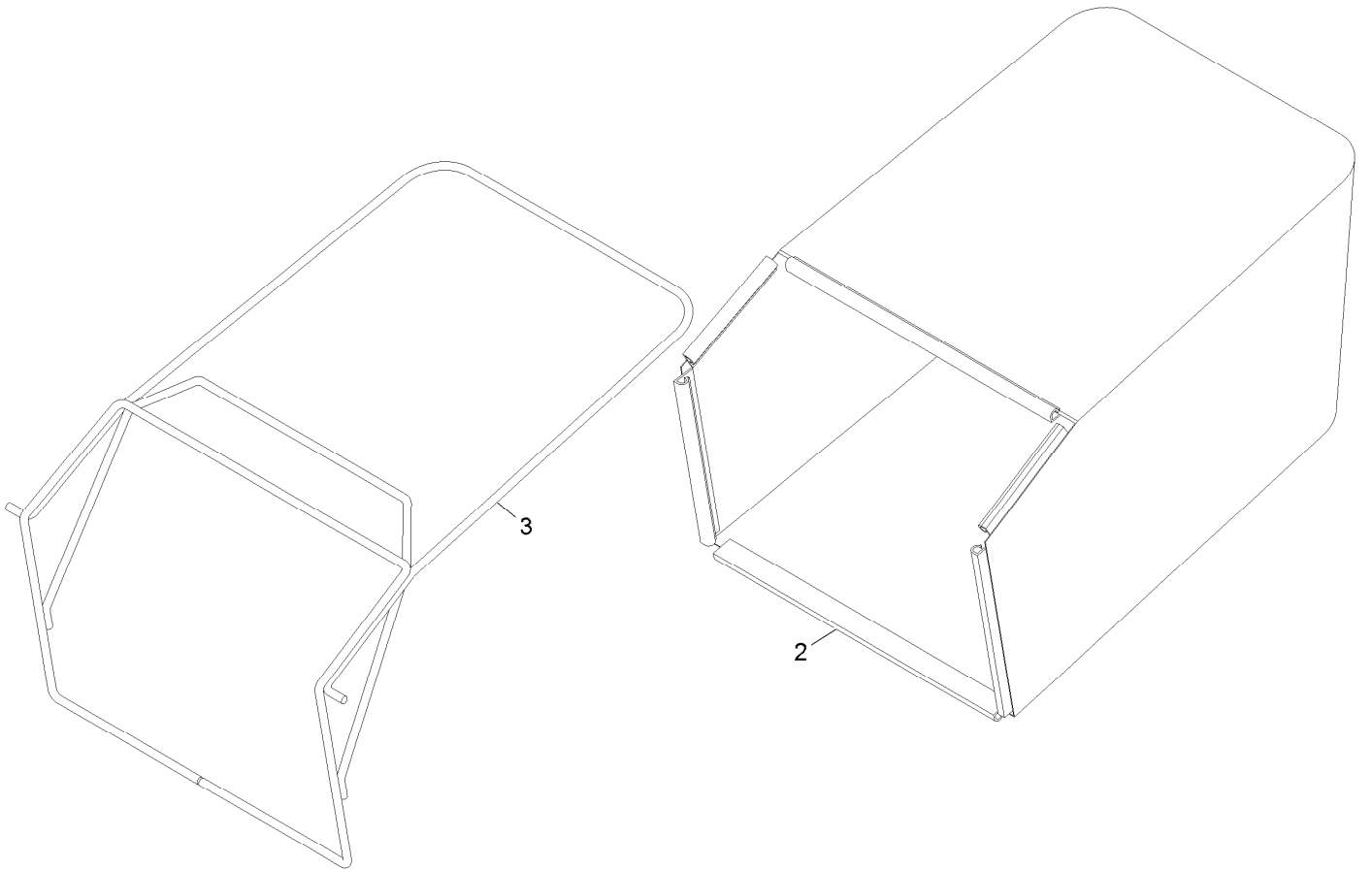
Side Discharge Chute Assembly



Side Discharge Chute Assembly (continued)

<i>Ref.</i>	<i>Part Number</i>	<i>Qty.</i>	<i>Description</i>	<i>Ref.</i>	<i>Part Number</i>	<i>Qty.</i>	<i>Description</i>
1	322-38	1	Screw-HH 5/16-18 X 4 1/2	7:2	116-9752-03	1	Guard-Chute
2	121-9195	1	Hinge	7:3	121-9196	1	Bracket-Chute
3	99-8445	2	Screw-HWH 1/4-20 X 3/8 Taptite	7:4	46-8560	2	Screw-HHF 1/4-20 X 1/2
4	125-2478	1	Spacer	7:5	112-6416	1	Bracket-Cover
5	121-9193	1	Spring-Torsion	7:6	94-4496	2	Screw-PPH
6	125-5093-01	1	Cover-Discharge	7:7	3230-18	2	Bolt-Carriage 5/16-18 X 5/8
7	116-9754	1	Side Discharge Chute ASM	7:8	104-8300	2	Nut-Nyloc 5/16-18 Flg
				8	104-8300	1	Nut-Nyloc 5/16-18 Flg

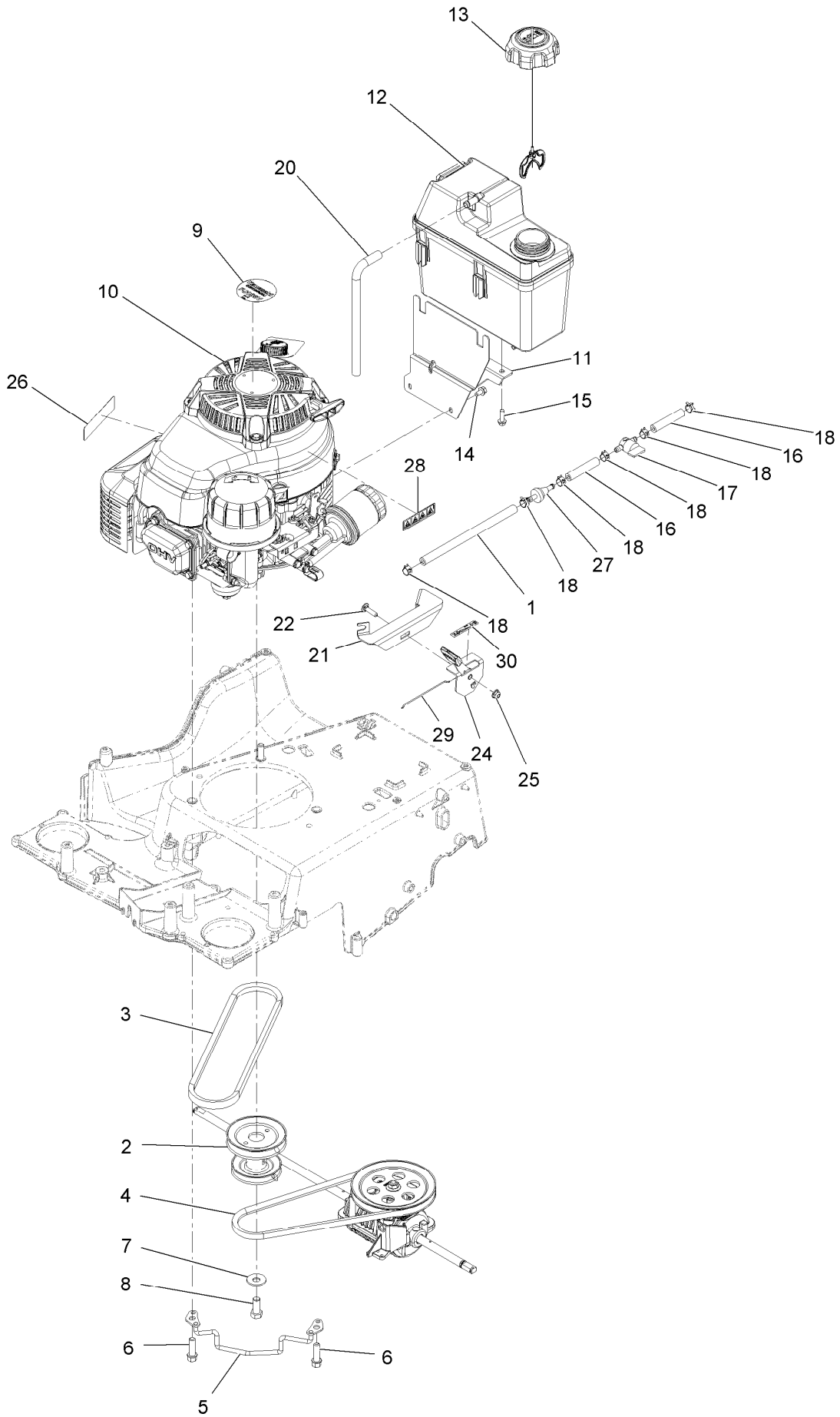
Bag Assembly



Bag Assembly (continued)

<i>Ref.</i>	<i>Part Number</i>	<i>Qty.</i>	<i>Description</i>
2	116-6350	1	Bag-Grass
3	116-5596-03	1	Frame-Bag

Engine Assembly



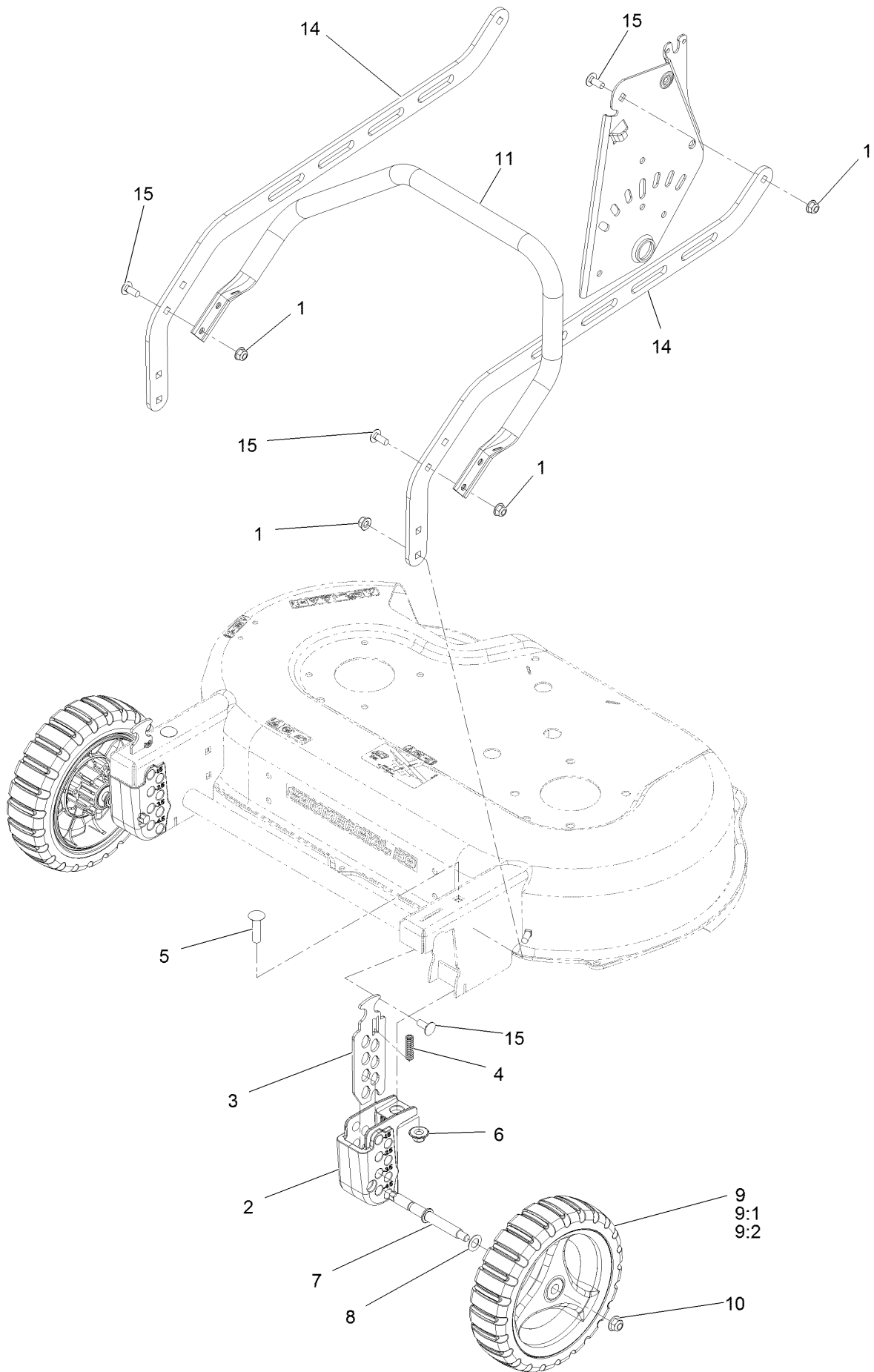
Engine Assembly (continued)

<i>Ref.</i>	<i>Part Number</i>	<i>Qty.</i>	<i>Description</i>	<i>Ref.</i>	<i>Part Number</i>	<i>Qty.</i>	<i>Description</i>
1	119-1892	1	Hose-Fuel	15	46-8091	2	Screw-HWH 1/4-10 X .82 Plastite
2	116-7013	1	Pulley-Engine	16	109-0304	2	Hose-Fuel Line 2 1/2"
3	121-5765	1	V-Belt	17	1-603770	1	Valve-Fuel
4	116-7116	1	Belt	18	2412-98	6	Clamp-Hose
5	120-7077	1	Guide-Belt	20	115-0962	1	Hose-Vent, Canister
6	95-1727	3	Screw-HWH 3/8-16 X 1 1/4 Taptite	21	130-6440-03	1	Bracket-Mount, Throttle
7	3290-465	1	Washer-Spring Disc	22	3229-30	1	Bolt-Carriage 1/4-20 X 1
8	3212-4	1	Screw-HH 7/16-20 X 1	24	130-9655	1	Control-Throttle
9	109-6528	1	Decal-Recoil	25	104-7201	1	Nut-Nyloc 1/4-20 Flg
10		1	Engine-Kawasaki Fj180V ●■	26	117-2718	1	Decal-Arrester, Spark
11	115-0954-03	1	Mount-Tank	27	71-9280	1	Filter-Fuel
12	114-0280	1	Tank-Fuel	28	116-9313	1	Decal-Warning, Engine
13	137-4127	1	Cap-Fuel	29	130-9654	1	Wire-Control
14	116-8929	3	Screw-HWH	30	130-9656	1	Decal-Throttle, Choke

● Not serviced separately

■ Obtain parts from www.kawpowerepc.com

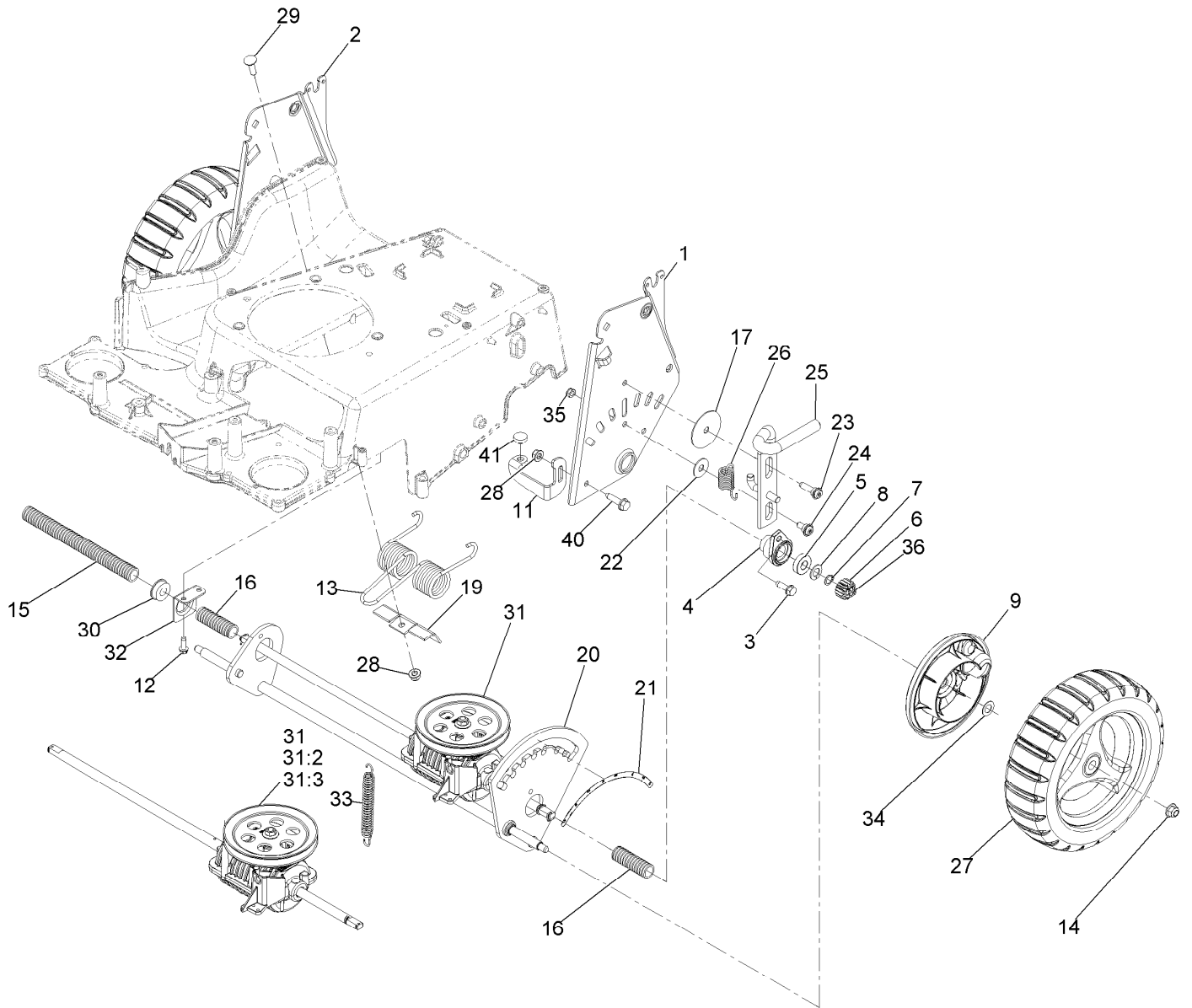
Front Bumper and Wheel Assembly



Front Bumper and Wheel Assembly (continued)

<i>Ref.</i>	<i>Part Number</i>	<i>Qty.</i>	<i>Description</i>	<i>Ref.</i>	<i>Part Number</i>	<i>Qty.</i>	<i>Description</i>
1	104-8300	10	Nut-Nyloc 5/16-18 Flg	9	126-7347	2	Wheel ASM, 9" W/Bearings
2	116-6357	2	Block-Front Quadrant	9:1	126-7345	1	Wheel ASM, 9"
3	109-9292	2	Plate, Front Height	9:2	133-2603	2	Bearing-Ball
4	109-7258	2	Spring-Compression	10	104-8301	2	Nut-Nyloc 3/8-16 Flg
5	3231-26	2	Bolt-Carriage 3/8-16 X 1 1/2	11	116-7675-03	1	Guard-Engine
6	109-6658	2	Nut-Nyloc 3/8-16 Flg	14	116-7661-03	2	Brace-RH
7	116-0994	2	Axle-Wheel	15	3230-23	10	Bolt-Carriage 5/16-18 X 3/4 Short Neck
8	36-4780	2	Washer				

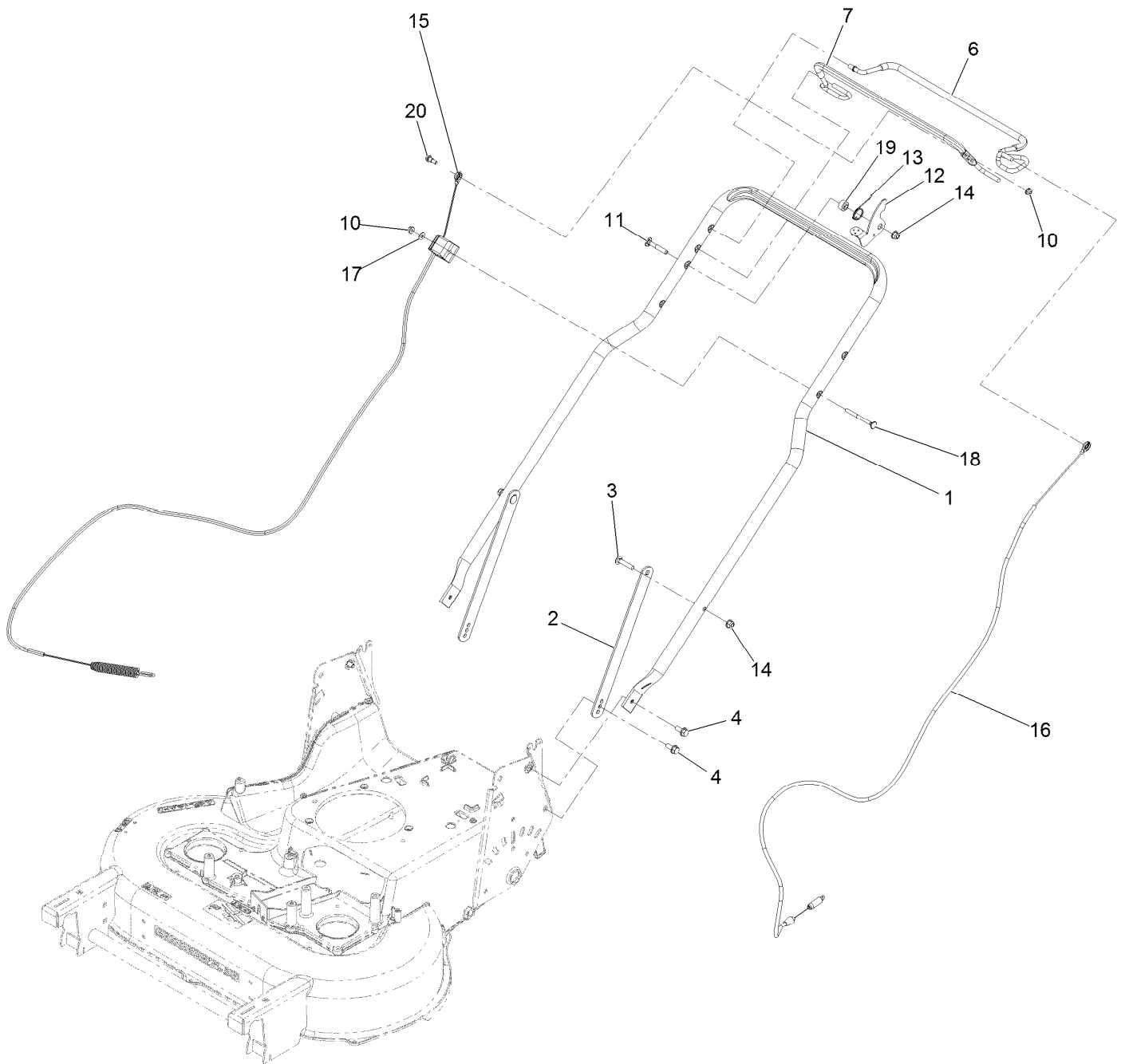
Deck and Wheel Assembly



Deck and Wheel Assembly (continued)

<i>Ref.</i>	<i>Part Number</i>	<i>Qty.</i>	<i>Description</i>	<i>Ref.</i>	<i>Part Number</i>	<i>Qty.</i>	<i>Description</i>
1	121-2394-03	1	LH HOC Plate ASM	24	120-9471	1	Screw-Shoulder Bh 5/16-18 X 1/2 Tf Torx
2	121-2395-03	1	RH HOC Plate ASM	25	120-7090	1	Lock-Height, Adjust
3	701243	6	Screw-HWH 5/16-18 X 1 Tf	26	120-9452	1	Spring-Extension
4	136-5929	2	Retainer-Bearing	27	126-7346	2	Wheel ASM, 10.5 W/Gear
5	133-2603	2	Bearing-Ball	28	104-8300	2	Nut-Nyloc 5/16-18 Flg
6	131-5399	2	Gear-Pinion, 15T	29	3230-2	1	Bolt-Carriage 5/16-18 X 1
7	32151-61	1	Ring-Retaining	30	104-8699	1	Bearing-Ball
8	110-7191	2	Washer-Thrust	31	131-9667	1	Transmission Kit
9	126-7818	2	Cover,Gear	31:2	130-2369	2	Pin-Snap
11	131-5344	1	Bracket-Stop, Adjustable	31:3	32151-61	1	Ring-Retaining
12	49-2040	2	Screw-HWH 1/4-20 X 3/4 Tf	32	120-7008	1	Mount-Bearing
13	121-2368	1	Spring-Torsion	33	120-7027	1	Spring-Extension
14	104-8301	2	Nut-Nyloc 3/8-16 Flg	34	36-4780	2	Washer
15	121-5799	1	Conduit-Convoluted	35	3296-47	1	Nut-Nyloc 5/16-18 Thin
16	121-5800	2	Conduit-Convoluted	36	130-2369	2	Pin-Snap
17	125-2540	1	Washer-Plain	40	32144-49	1	Screw-HWH 5/16-18 1 1/4 Tf
19	121-2397	1	Bracket	41	1-513658	1	Bumper
20	131-4516	1	Axle-Rear				
21	116-7127	1	Decal-HOC, Rear				
22	52-2860	1	Washer				
23	119-2267	1	Screw-Button Head 5/16-18 X 1 Tf				

Handle Assembly-Type A

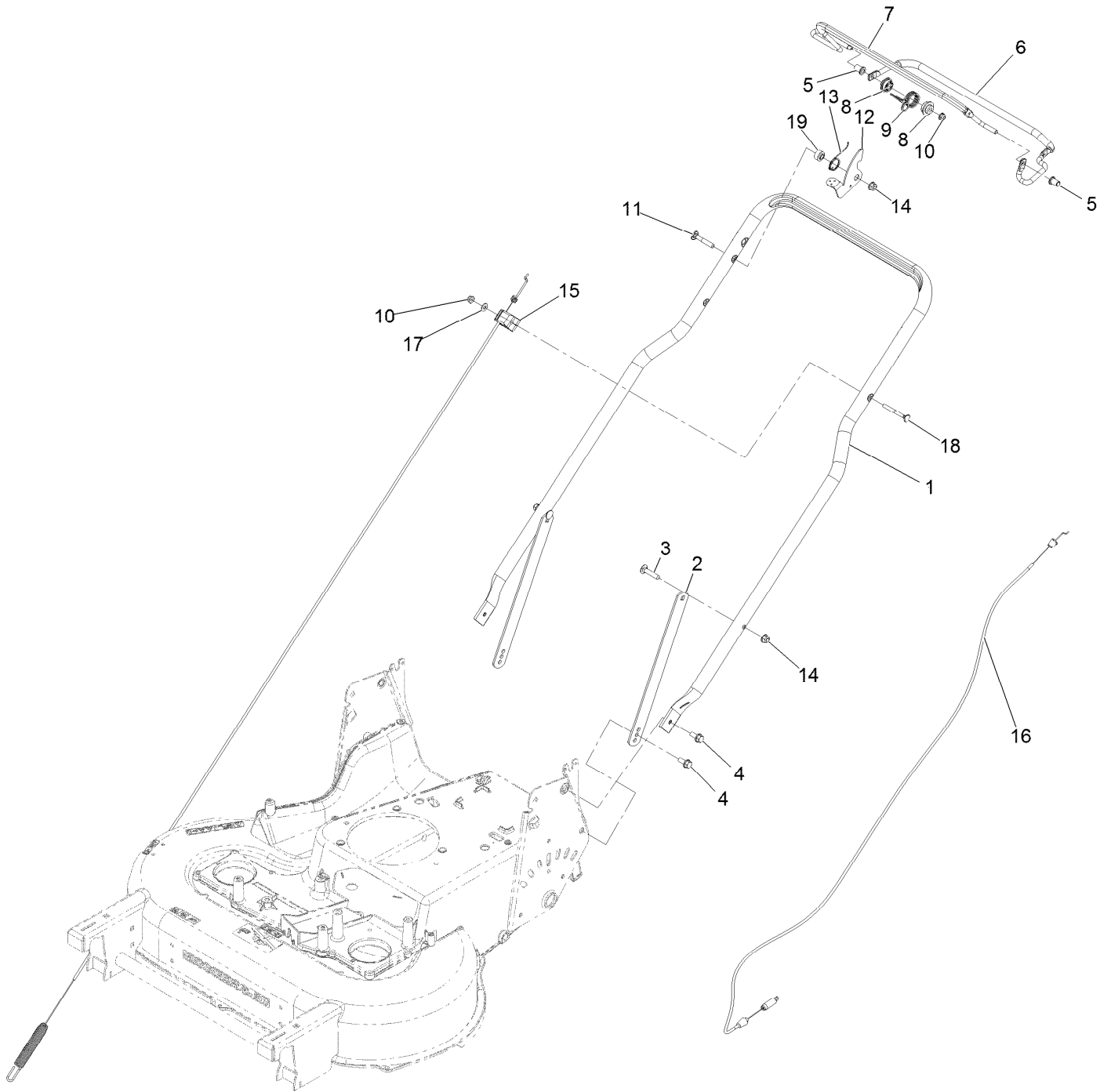


Handle Assembly-Type A (continued)

<i>Ref.</i>	<i>Part Number</i>	<i>Qty.</i>	<i>Description</i>	<i>Ref.</i>	<i>Part Number</i>	<i>Qty.</i>	<i>Description</i>
1	137-4767-03	1	Handle	13	109-9318	1	Spring-Lever, BBC
2	116-8208-03	2	Support-Handle	14	104-8300	3	Nut-Nyloc 5/16-18 Flg
3	3230-4	2	Bolt-Carriage 5/16-18 X 1 1/2	15	137-4759	1	Cable-BBC
4	116-7230	4	Screw-HHF	16	137-4758	1	Cable-Traction
6	137-4811	1	Bail-Traction, Coated	17	3256-1	1	Washer-Flat
7	137-4810	1	Bail-BBC, Coated	18	92-2267	1	Screw-Handle
10	104-7201	2	Nut-Nyloc 1/4-20 Flg	19	116-2690	1	Bushing-Stepped
11	112-8876	1	Bolt-Carriage 5/16-18 X 2	20	42-3560	1	Bolt-Shoulder
12	116-2998	1	Lever-BBC	99	614249	3	Tie-Cable ●

● Not illustrated

Handle Assembly-Type B



Handle Assembly-Type B (continued)

<i>Ref.</i>	<i>Part Number</i>	<i>Qty.</i>	<i>Description</i>	<i>Ref.</i>	<i>Part Number</i>	<i>Qty.</i>	<i>Description</i>
1	120-7086-03	1	Handle	11	112-8876	1	Bolt-Carriage 5/16-18 X 2
2	116-8208-03	2	Support-Handle	12	116-2998	1	Lever-BBC
3	3230-4	2	Bolt-Carriage 5/16-18 X 1 1/2	13	109-9318	1	Spring-Lever, BBC
4	116-7230	4	Screw-HHF	14	104-8300	3	Nut-Nyloc 5/16-18 Flg
5	116-1478	2	Bushing-Handlebar	15	133-2622	1	Cable-Brake, 30" 2-Bail
6	116-7907	1	Bail-Drive Coated	16	126-1664	1	Cable-Traction
7	109-8442	1	Bail	17	3256-1	1	Washer-Flat
8	109-8457	2	Bushing-Spring, Pivot	18	92-2270	1	Screw-Handle
9	116-5594	1	Spring-Return, BBC	19	116-2690	1	Bushing-Stepped
10	104-7201	2	Nut-Nyloc 1/4-20 Flg	99	614249	3	Tie-Cable ●

● Not illustrated

Notes:



MAXIMIZE THE PERFORMANCE OF YOUR EXMARK MACHINE.



EXMARK® PREMIUM ENGINE OIL

Exmark now offers a family of engine oil viscosities to perform well in any environment. Each viscosity has the same synthetic formulation to give you what you need in punishing conditions. We designed each grade to the highest quality, making it ideal even for diesel applications. Coupled with Exmark Premium Fuel Treatment, we have the performance products to make your machine hum.

EXMARK PREMIUM ENGINE OIL SAE 30/10W-30

- Meets zero shear requirements of a straight grade SAE 30 as well as the cold temp properties of a 10W-30.
- Most versatile oil in the industry.
- Superior corrosion protection over conventional oil - even in corrosive, humid environments.

EXMARK PREMIUM ENGINE OIL SAE 20W-50

- Perfect for your big block engine, or any application in severe service.
- Same full synthetic formulation as all other Exmark Premium viscosities.
- Also effective for use in severe service small block engines.

EXMARK PREMIUM ENGINE OIL SAE 10W-50

- Full synthetic formulation gives you peak performance. Don't settle for less.
- Wide span multi-grade combines easy starting in cold weather with maximum protection in high temperature operation.
- Reduce friction & wear over standard mineral formulations.

EXMARK PREMIUM ENGINE OIL SAE 0W-40

- The perfect choice for when the weather turns cold or unpredictable, and your Exmark UTV has to perform.
- Commercial quality for severe service.
- Advanced additive package helps prevent corrosion from long-term storage.

EXMARK PREMIUM ENGINE OIL UTV FORMULATION

- 4-cycle high-temp formulation.
- Heavier viscosity, full synthetic, perfect for your UTV.

EXMARK PREMIUM UTV EXTREME CONDITIONS GEAR OIL

- SAE 80W-90, designed to keep your UTV performing at its peak.
- Shear stable, hypoid gear lube.
- Includes a premium additive system to combat wear, oxidation, rust & corrosion.

Available from your local Exmark dealer. Find your closest dealer at exmark.com

EXMARK ACCESSORIES AND OPTIONS*

MID-MOUNT RIDING ACCESSORIES AND OPTIONS

CUSTOM RIDE SEAT SUSPENSION SYSTEM	OPERATOR CONTROLLED DISCHARGE
FULL SUSPENSION SEAT	SUN SHADE
DECK LIFT ASSIST KIT	TRASH CONTAINER
HITCH KIT	TURF STRIPER
LIGHT KIT	ULTRA VAC COLLECTION SYSTEM
12V POWER PORT	ULTRA VAC QUICK DISPOSAL SYSTEM
MICRO-MULCH SYSTEM	

OUT-FRONT RIDING ACCESSORIES AND OPTIONS

CUSTOM RIDE SEAT SUSPENSION SYSTEM	SNOW BLADE
DUAL-TAIL WHEEL	SNOWBLOWER
FLOOR PAN EXTENDER	SUN SHADE
HITCH KIT	TRASH CONTAINER
LIGHT KIT	ULTRA VAC COLLECTION SYSTEM
MICRO-MULCH SYSTEM	ULTRA VAC QUICK DISPOSAL SYSTEM
ROLL OVER PROTECTION SYSTEM (ROPS)	WEATHER CAB

WALK-BEHIND ACCESSORIES AND OPTIONS

GRASS CATCHER	TURF STRIPER
MICRO-MULCH SYSTEM	STANDON

*Some accessories and options not available for some models.

Place Model No. and Serial No.
Label Here (Included in the Literature
Pack) or Fill in Below

Model No. _____

Serial No. _____

Date Purchased _____

Engine Model No. and Spec. No. _____

Engine Serial No. (E/No) _____

© 2017 Exmark Mfg. Co., Inc.
Industrial Park Box 808
Beatrice, NE 68310
All Rights Reserved

Part No. 4503-504 Rev. A
(402) 223-6375
Fax (402) 223-5489
Printed in the USA.

