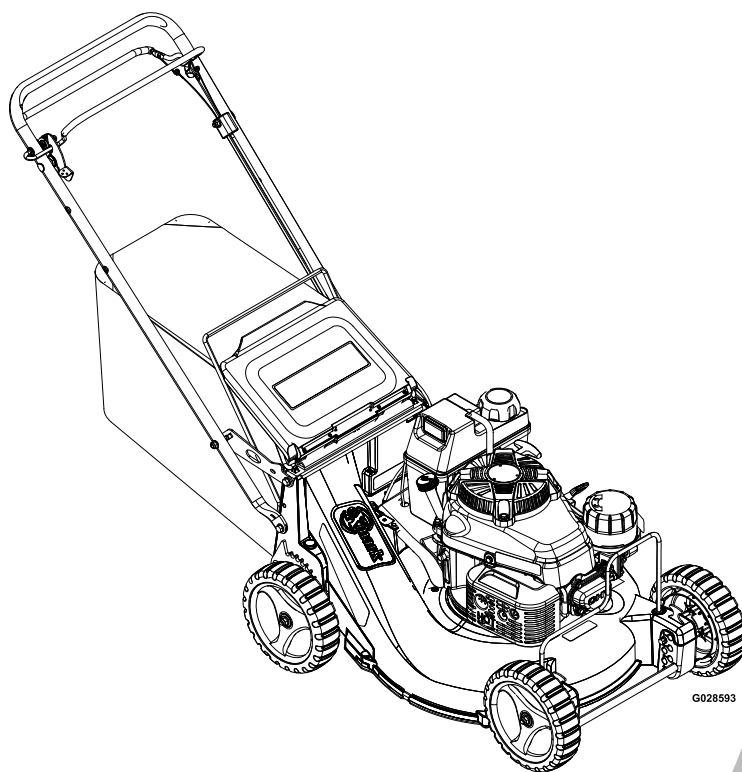




# COMMERCIAL 21

Model No. ECX160CHN21000—Serial No. 402082300 and Up

Picture below may not reflect actual product.



# Parts Manual

Part No. 4503-497 Rev. A

# Ordering Replacement Parts

To order replacement parts, please supply the part number, the quantity, and the description of each part desired.

## Understanding Reference Numbers

Each identified part in an illustration has a reference number. The reference number for a part also appears in the parts list, along with other information about the part.

This catalog uses two special reference number formats, one to indicate parts in a service assembly and another to indicate the quantity of a given part in an illustration.

## Service Assembly Reference Numbers

Parts in service assemblies have reference numbers in the form a:b. The a represents the reference number of the entire service assembly and the b represents a sequential number unique to each part within the service assembly.

For example, a wheel assembly might be identified by reference number 6, the tire by 6:1, the valve by 6:2, and the wheel by 6:3. When you order the assembly identified by reference number 6, you receive all parts identified by reference numbers 6:1, 6:2, and 6:3. However, you may also order any part individually. Reference numbers of this type appear in illustration and in parts lists.

## Reference Numbers Indicating Quantity

In an illustration, if a reference number indicates more than one part, the reference number has the form nX y. The n represents the quantity of the part, the X is the multiplication symbol, and the y represents the reference number.

For example, in an illustration, the reference number 2X 37 means that two of the parts identified by reference number 37 are indicated.

# Touch Up Paint

Exmark black touch up spray paint – gloss black.

Exmark red touch up paint (spray paint – P/N 1-850337 - .6 oz liquid bottle – P/N 103-9140).

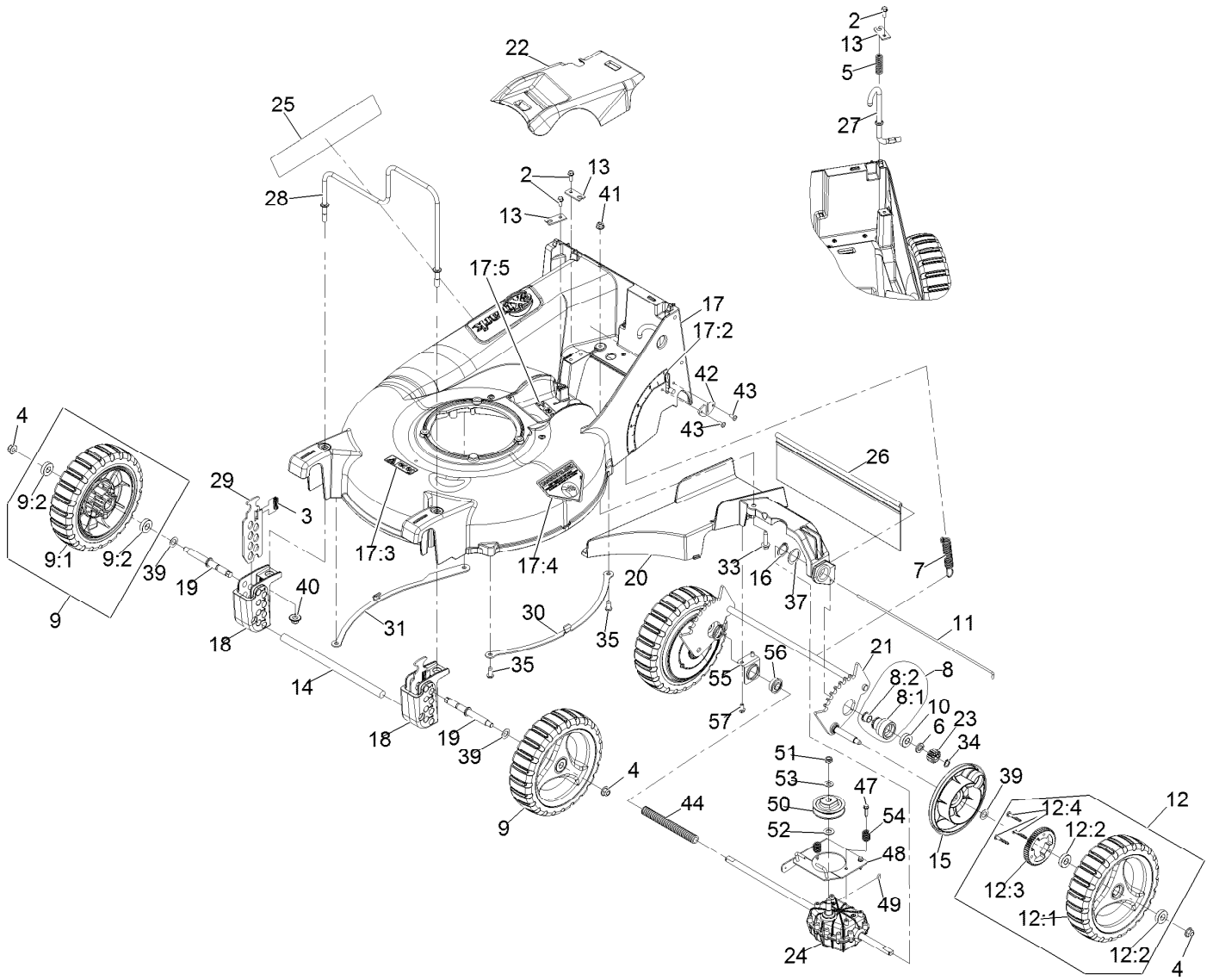


If your Exmark dealer does not have the Exmark part in stock, Exmark will get the parts to the dealer the next business day or the part will be FREE Guaranteed!! (Some restrictions apply. See your participating Exmark Dealer for details.)

## Contents

Deck and Wheel Assembly ..... 4  
Handle Assembly ..... 6  
Bag and Door Assembly ..... 8  
Blade Assembly ..... 10  
Engine Assembly ..... 12

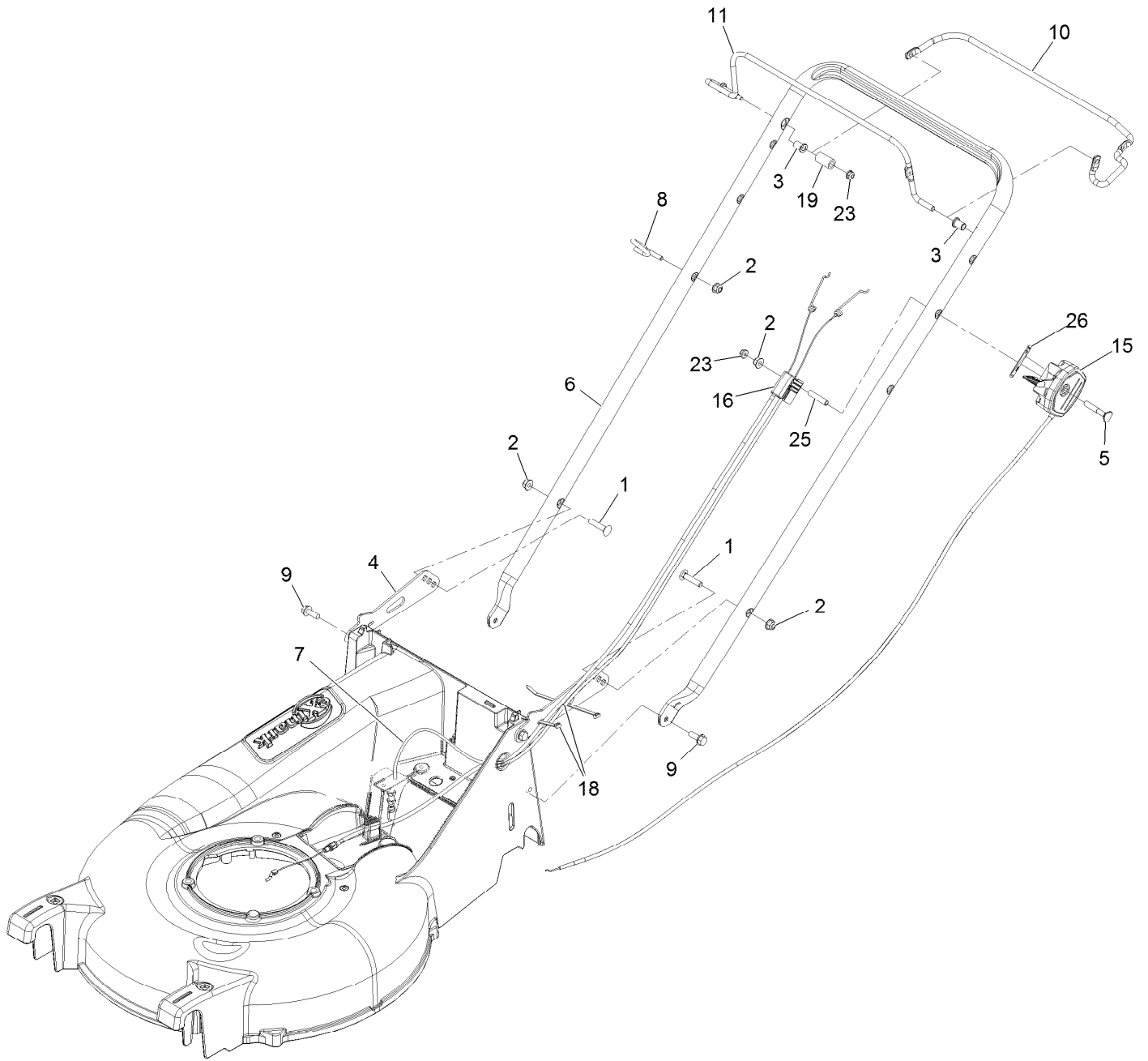
# Deck and Wheel Assembly



## Deck and Wheel Assembly (continued)

<i>Ref.</i>	<i>Part Number</i>	<i>Qty.</i>	<i>Description</i>	<i>Ref.</i>	<i>Part Number</i>	<i>Qty.</i>	<i>Description</i>
2	32144-85	2	Screw-HWH 1/4-20 X .62	22	109-9324	1	Cover,Belt
3	109-7258	2	Spring-Compression	23	131-5399	2	Gear-Pinion, 15T
4	104-8301	4	Nut-Nyloc 3/8-16 Flg	24	116-9906	1	Transmission-HD, 4.5/1
5	109-7694	1	Spring-Compression	25	126-6886	1	Decal-Comm 21 X-Series
6	108-5059	2	Spacer-Bushing	26	116-0252	1	Shield-Trailing P21
7	109-7692	1	Spring-Extension	27	116-0329	1	Rod-Height Adj P21
8	116-6172	2	Housing ASM	28	116-0522	1	Guard,Engine
8:1	116-6171	1	Housing-Bearing	29	109-9292	2	Plate, Front Height
8:2	116-4279	1	Bearing-Flange	30	116-0995-03	1	Skid,LH
9	126-7347	2	Wheel ASM, 9" W/Bearings	31	116-0996-03	1	Skid,RH
9:1	126-7345	1	Wheel ASM, 9"	33	32144-49	1	Screw-HWH 5/16-18 1 1/4 Tf
9:2	133-2603	2	Bearing-Ball	34	32151-61	2	Ring-Retaining
10	133-2603	2	Bearing-Ball	35	613381	4	Screw-Button Head 5/16-18 X .725 Tf
11	109-8025	1	Rod,Shield	37	74-1810	2	Washer
12	126-7758	2	Wheel ASM, 9 W/Gear	39	36-4780	4	Washer
12:1	126-7345	1	Wheel ASM, 9"	40	109-6658	2	Nut-Nyloc 3/8-16 Flg
12:2	133-2603	2	Bearing-Ball	41	104-8300	1	Nut-Nyloc 5/16-18 Flg
12:3	133-2625	1	Gear-Wheel, 52T	42	116-2221	1	Plate,Wear
12:4	130-6426	3	Stud-Drive	43	114439	2	Rivet
13	109-8441	2	Bracket,Mount	44	126-2335	1	Cover-Shaft-Drive
14	109-8454	1	Rod,Bumper	47	27-0220	3	Screw-Special
15	126-8259	2	Cover,Gear	48	116-3539-03	1	Transmission Plate ASM
16	32151-36	2	Ring-Retaining	49	3257-1	1	Key-Woodruff 1/8 X 1/2
17	116-2006	1	Deck W/Decals	50	39-6740	1	Pulley
17:2	116-1922	1	Decal-Height Of Cut	51	3296-5	1	Nut-Nyloc 3/8-24 Thin
17:3	130-9670	1	Decal-Warning, Blade	52	36-4792	1	Washer-Thrust
17:4	94-8072	1	Decal-Danger	53	3256-45	1	Washer-Flat
17:5	119-0217	1	Decal-Danger	54	116-1438	2	Spring,Compression
18	109-9302	2	Block,Front Quadrant	55	120-7008	1	Mount-Bearing
19	116-0994	2	Axle-Wheel	56	104-8699	1	Bearing-Ball
20	116-9646-01	1	Bracket-Transmission And Chute	57	9266714	2	Screw-HWH 1/4-20 X .50
21	109-9312	1	Wld,Rear Axle P21				

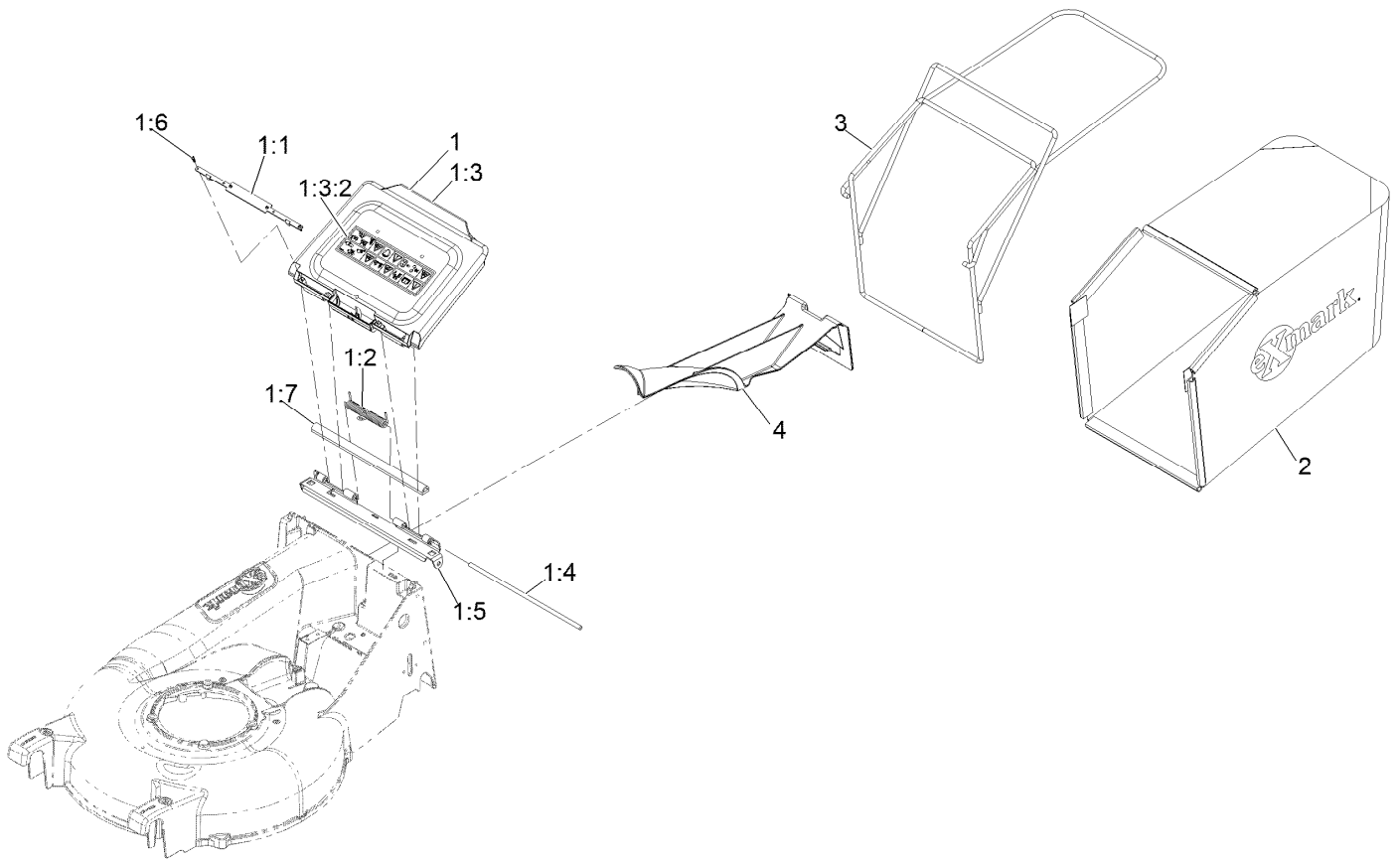
# Handle Assembly



## Handle Assembly (continued)

<i>Ref.</i>	<i>Part Number</i>	<i>Qty.</i>	<i>Description</i>	<i>Ref.</i>	<i>Part Number</i>	<i>Qty.</i>	<i>Description</i>
1	33-5790	2	Bolt-Carriage 5/16-18 X 1 1/2	10	116-7907	1	Bail-Drive Coated
2	104-8300	3	Nut-Nyloc 5/16-18 Flg	11	109-8442	1	Bail
3	116-1478	2	Bushing-Handlebar	15	116-4424	1	Cable-Throttle/Choke
4	109-9323-03	2	Bracket,Handlebar	16	116-4443	1	Cable-Zone Honda
5	321-23	1	Screw-HH	18	614249	2	Tie-Cable
6	116-0119-03	1	Handlebar-P21	19	1-603401	1	Spacer
7	126-7397	1	Cable, Drive Ec21	23	104-7201	2	Nut-Nyloc 1/4-20 Flg
8	116-1056	1	Guide,Rope	25	116-3035	1	Spacer-Throttle
9	32144-41	4	Screw-HWH 3/8-16 X 7/8 Taptite	26	103-6327	1	Decal, Throttle/Choke

# Bag and Door Assembly

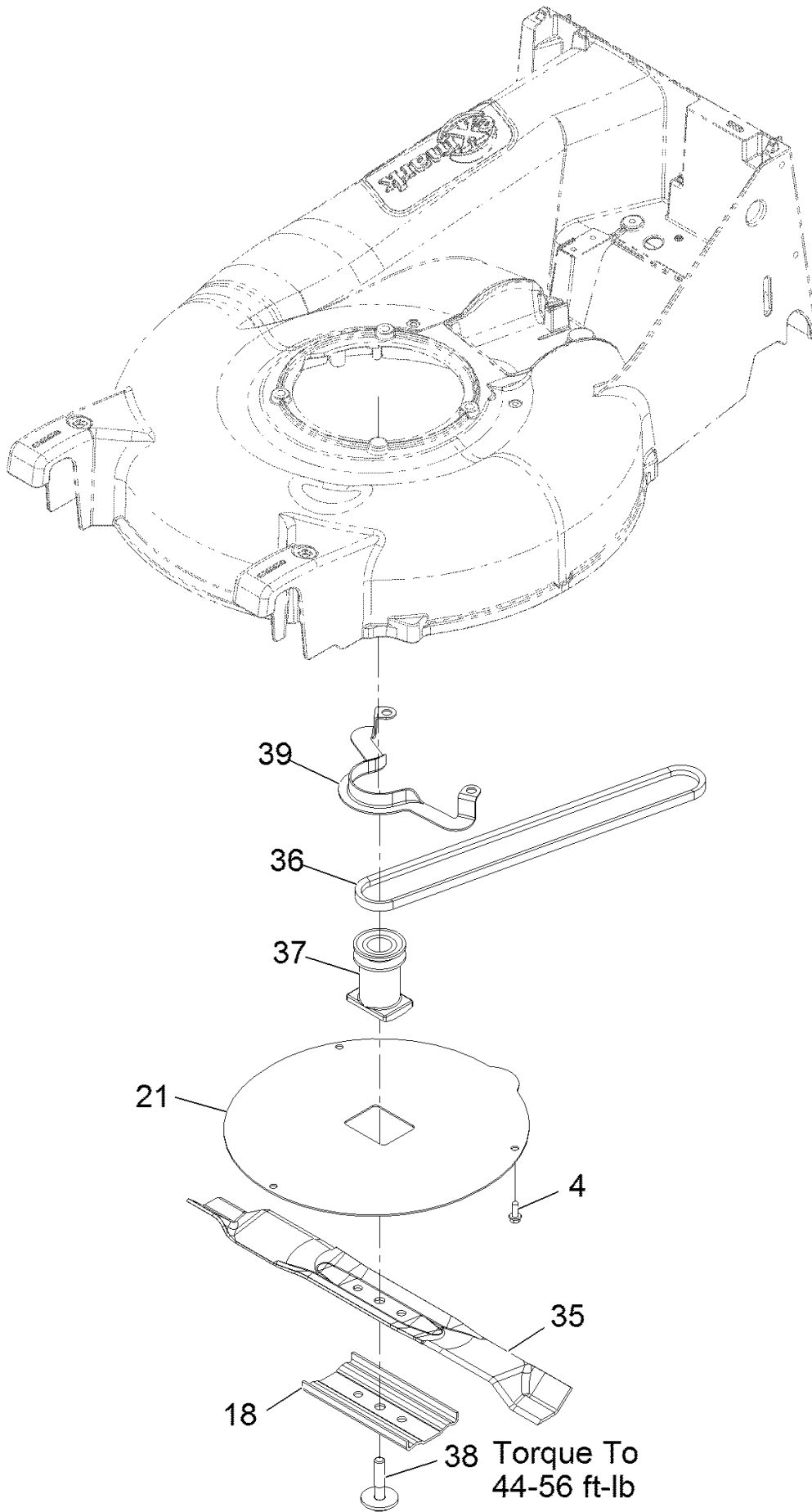




## Bag and Door Assembly (continued)

<i>Ref.</i>	<i>Part Number</i>	<i>Qty.</i>	<i>Description</i>	<i>Ref.</i>	<i>Part Number</i>	<i>Qty.</i>	<i>Description</i>
1	126-6086	1	Door ASM	1:6	363-1596	4	Scr,TAP,6-19X7/16,Phph, Stl, Rohs
1:1	126-2628-03	1	Plate, Door Cover	1:7	126-5438	1	Seal-Epdm Foam Bulb
1:2	126-2627	1	Spring-Plastic Door	2	126-2630	1	Bag-21 Grass
1:3	126-4200	1	ASM-Door & Decal	3	126-2631-03	1	Wld-Bag Frame
1:3:2	116-7583	1	Decal-Warning	4	116-0251	1	Plug,Mulch
1:4	126-2635	1	Pin-Door Pivot				
1:5	126-2636-03	1	Bracket-Door Pivot				

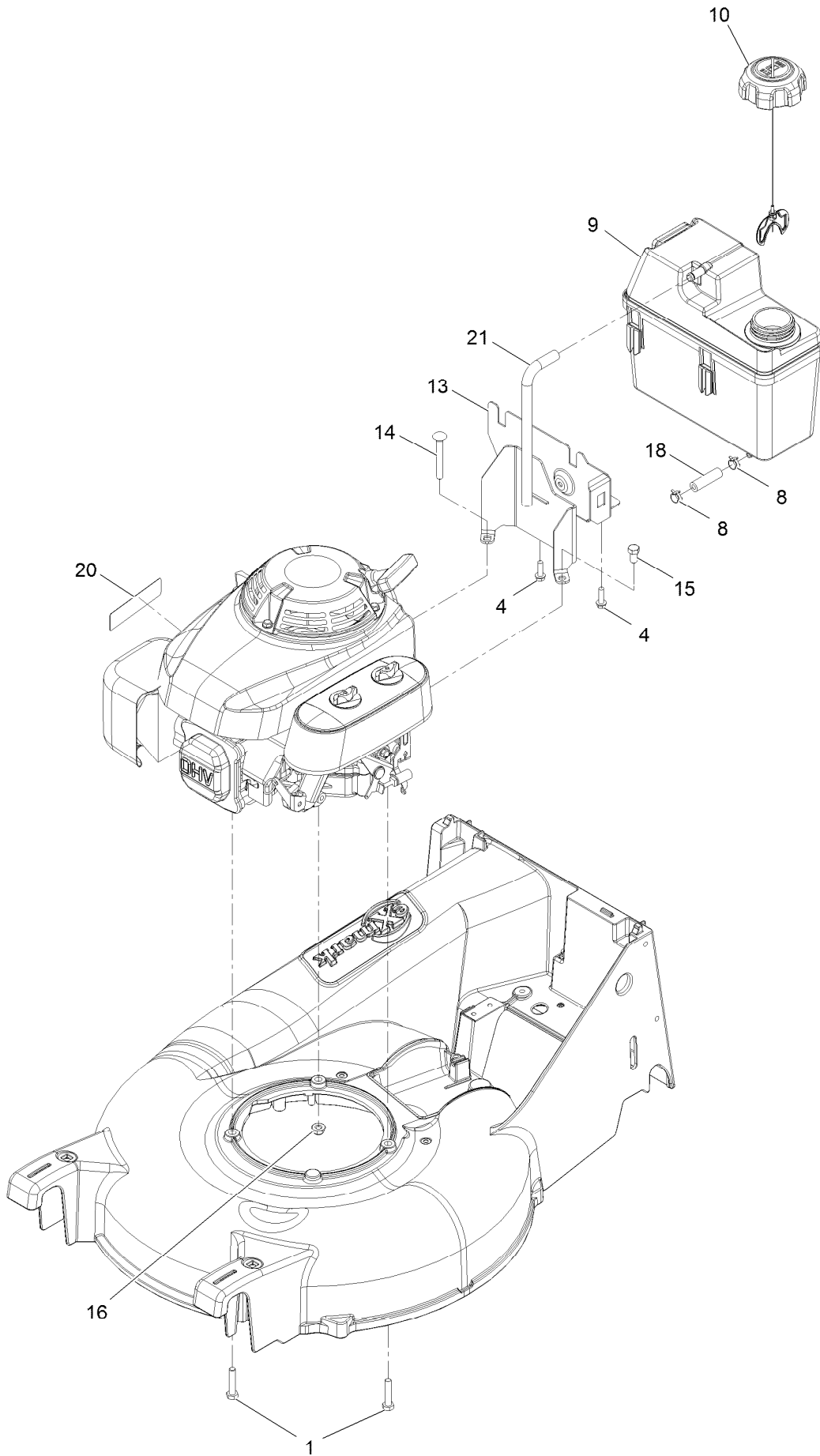
# Blade Assembly



## Blade Assembly (continued)

<i>Ref.</i>	<i>Part Number</i>	<i>Qty.</i>	<i>Description</i>	<i>Ref.</i>	<i>Part Number</i>	<i>Qty.</i>	<i>Description</i>
4	32144-85	3	Screw-HWH 1/4-20 X .62	36	109-7299	1	Belt,3L P21 Drive
18	108-3766-03	1	Support-Blade	37	109-7257	1	Blade-Adapter
21	116-3503-03	1	Cover-As	38	116-0005	1	Bolt-Blade, Sem
35	135-0413	1	Blade - Medium Lift, 20.5	39	108-8110-03	1	Guide-Belt

# Engine Assembly



## Engine Assembly (continued)

<i>Ref.</i>	<i>Part Number</i>	<i>Qty.</i>	<i>Description</i>	<i>Ref.</i>	<i>Part Number</i>	<i>Qty.</i>	<i>Description</i>
1	3210-8	2	Screw-HH 5/16-24 X 1 1/2	14	3230-8	1	Bolt-Carriage 5/16-18 X 2 1/2
4	46-8091	2	Screw-HWH 1/4-10 X .82 Plastite	15	3210-2	1	Screw-HH 5/16-24 X 5/8
8	2412-98	2	Clamp-Hose	16	104-8300	1	Nut-Nyloc 5/16-18 Flg
9	114-0280	1	Tank-Fuel	18	119-7856	1	Hose-Fuel
10	137-4127	1	Cap-Fuel	20	117-2718	1	Decal-Arrester, Spark
13	116-5361-03	1	Asm-Bracket	21	115-0962	1	Hose-Vent, Canister

**Notes:**

**Notes:**

## EXMARK ACCESSORIES AND OPTIONS\*

### MID-MOUNT RIDING ACCESSORIES AND OPTIONS

CUSTOM RIDE SEAT SUSPENSION SYSTEM	OPERATOR CONTROLLED DISCHARGE
FULL SUSPENSION SEAT	SUN SHADE
DECK LIFT ASSIST KIT	TRASH CONTAINER
HITCH KIT	TURF STRIPER
LIGHT KIT	ULTRA VAC COLLECTION SYSTEM
12V POWER PORT	ULTRA VAC QUICK DISPOSAL SYSTEM
MICRO-MULCH SYSTEM	

### OUT-FRONT RIDING ACCESSORIES AND OPTIONS

CUSTOM RIDE SEAT SUSPENSION SYSTEM	SNOW BLADE
DUAL-TAIL WHEEL	SNOWBLOWER
FLOOR PAN EXTENDER	SUN SHADE
HITCH KIT	TRASH CONTAINER
LIGHT KIT	ULTRA VAC COLLECTION SYSTEM
MICRO-MULCH SYSTEM	ULTRA VAC QUICK DISPOSAL SYSTEM
ROLL OVER PROTECTION SYSTEM (ROPS)	WEATHER CAB

### WALK-BEHIND ACCESSORIES AND OPTIONS

GRASS CATCHER	TURF STRIPER
MICRO-MULCH SYSTEM	STANDON

\*Some accessories and options not available for some models.

Place Model No. and Serial No.  
Label Here (Included in the Literature  
Pack) or Fill in Below

Model No. \_\_\_\_\_

Serial No. \_\_\_\_\_

Date Purchased \_\_\_\_\_

Engine Model No. and Spec. No. \_\_\_\_\_

Engine Serial No. (E/No) \_\_\_\_\_

© 2018 Exmark Mfg. Co., Inc.  
2101 Ashland Ave  
Beatrice, NE 68310  
All Rights Reserved

Part No. 4503-497 Rev. A  
(402) 223-6375  
Fax (402) 223-5489  
Printed in the USA.

