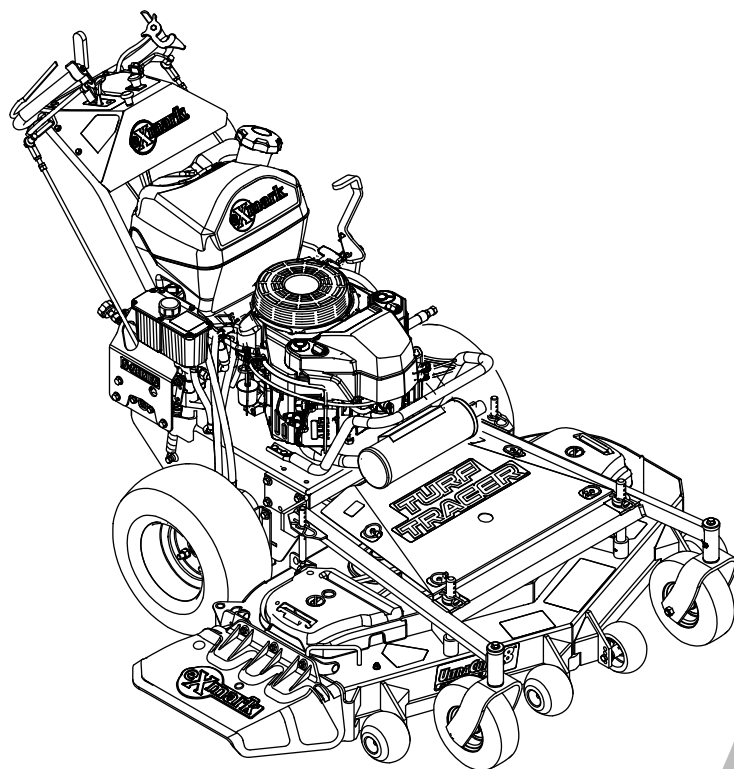




# **TURF TRACER® S-SERIES**

Model No. TTS600GKA483E0—Serial No. 402082300 and Up

Picture below may not reflect actual product.



# **Parts Manual**

Part No. 4503-468 Rev. A

# Ordering Replacement Parts

To order replacement parts, please supply the part number, the quantity, and the description of each part desired.

## Understanding Reference Numbers

Each identified part in an illustration has a reference number. The reference number for a part also appears in the parts list, along with other information about the part.

This catalog uses two special reference number formats, one to indicate parts in a service assembly and another to indicate the quantity of a given part in an illustration.

## Service Assembly Reference Numbers

Parts in service assemblies have reference numbers in the form a:b. The a represents the reference number of the entire service assembly and the b represents a sequential number unique to each part within the service assembly.

For example, a wheel assembly might be identified by reference number 6, the tire by 6:1, the valve by 6:2, and the wheel by 6:3. When you order the assembly identified by reference number 6, you receive all parts identified by reference numbers 6:1, 6:2, and 6:3. However, you may also order any part individually. Reference numbers of this type appear in illustration and in parts lists.

## Reference Numbers Indicating Quantity

In an illustration, if a reference number indicates more than one part, the reference number has the form nX y. The n represents the quantity of the part, the X is the multiplication symbol, and the y represents the reference number.

For example, in an illustration, the reference number 2X 37 means that two of the parts identified by reference number 37 are indicated.

# Touch Up Paint

Exmark black touch up spray paint – gloss black.

Exmark red touch up paint (spray paint – P/N 1-850337 - .6 oz liquid bottle – P/N 103-9140).

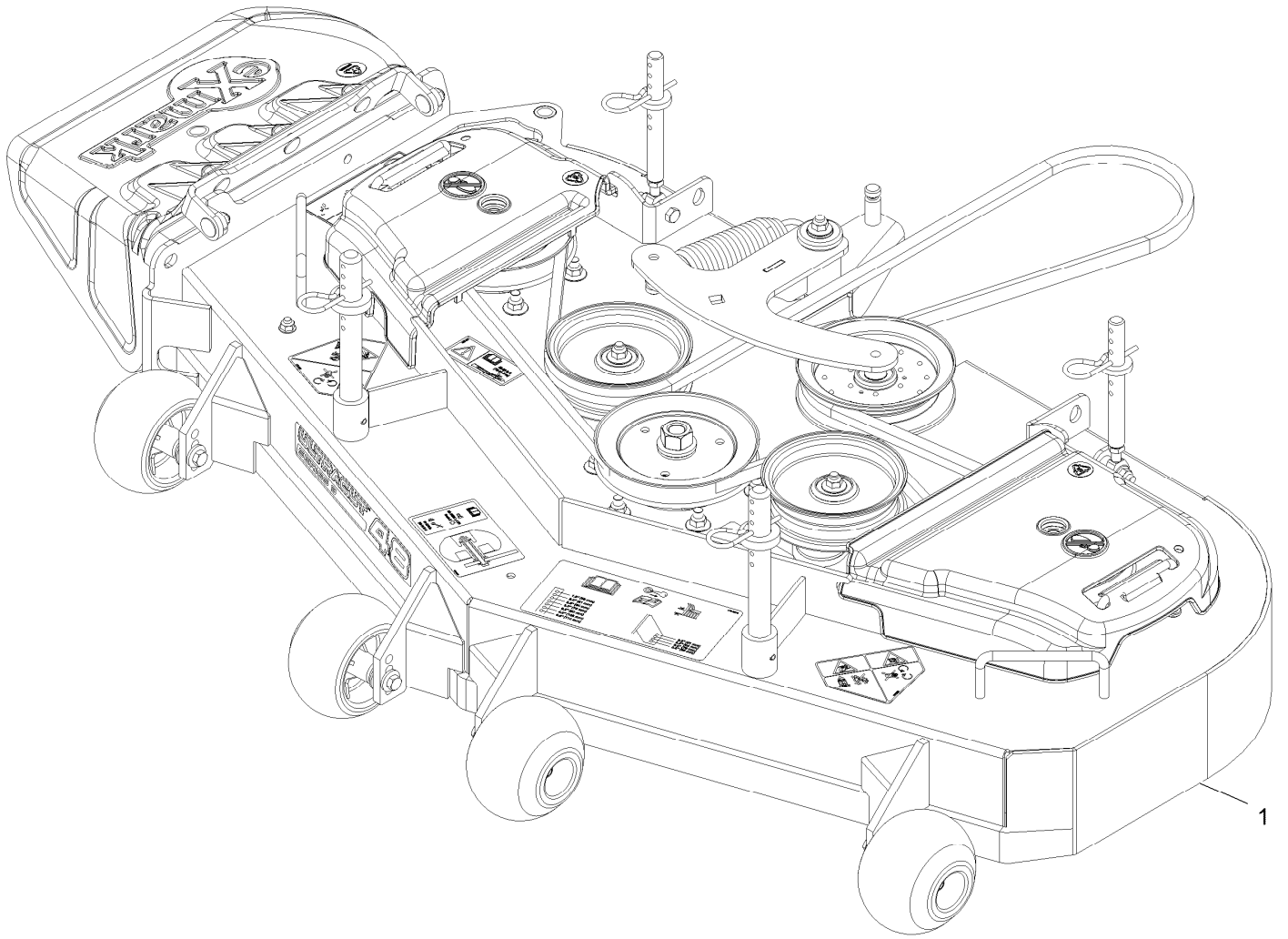


If your Exmark dealer does not have the Exmark part in stock, Exmark will get the parts to the dealer the next business day or the part will be FREE Guaranteed!! (Some restrictions apply. See your participating Exmark Dealer for details.)

## Contents

|  |    |
|--|----|
| Complete Deck Assembly.....              | 4  |
| Deck Assembly.....                       | 6  |
| Deck W/Decals Assembly No. 126-0781..... | 8  |
| Deck Idler Assembly No. 126-2314.....    | 10 |
| Main Frame Assembly.....                 | 12 |
| Engine Deck.....                         | 14 |
| Handle Assembly.....                     | 16 |
| Controls Assembly.....                   | 18 |
| Fuel Assembly.....                       | 20 |
| Engine Assembly.....                     | 22 |
| Ground Drive Assembly.....               | 24 |
| Pump Idler Assembly No. 126-0615.....    | 26 |
| Electrical Assembly.....                 | 28 |

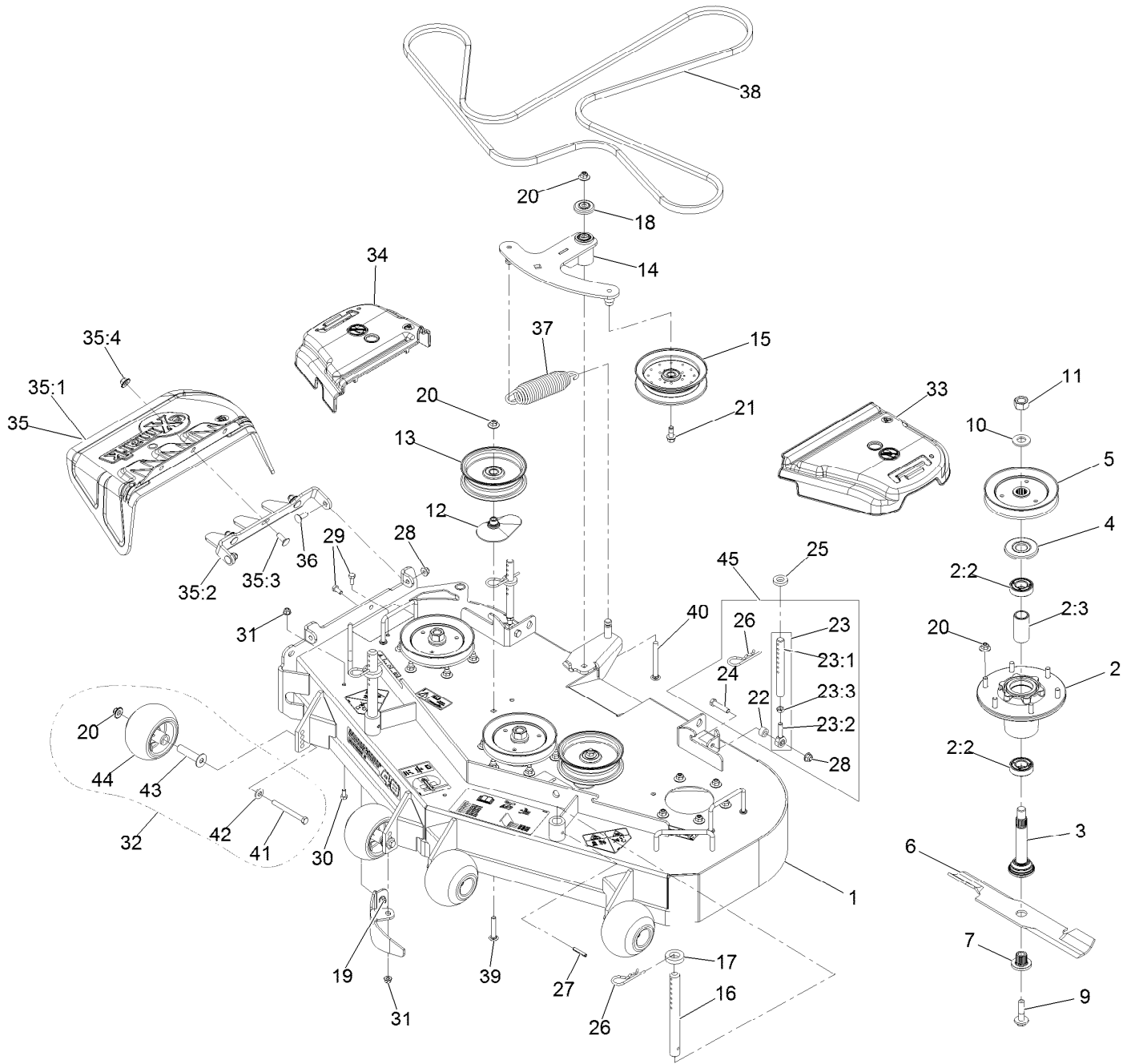
# Complete Deck Assembly



# Complete Deck Assembly (continued)

| <i>Ref.</i> | <i>Part Number</i> | <i>Qty.</i> | <i>Description</i>   |
|-------------|--------------------|-------------|----------------------|
| 1           | 126-1909           | 1           | ASM-Complete Deck 48 |

# Deck Assembly



## Deck Assembly (continued)

| <i>Ref.</i> | <i>Part Number</i> | <i>Qty.</i> | <i>Description</i>                  | <i>Ref.</i> | <i>Part Number</i> | <i>Qty.</i> | <i>Description</i>       |
|-------------|--------------------|-------------|-------------------------------------|-------------|--------------------|-------------|--------------------------|
| 1           | 126-0781           | 1           | ASM, Deck 48" W/Decals              | 23:1        | 1-413525           | 1           | Link, Rear Deck Support  |
| 2           | 116-3344           | 3           | ASM-Cutter Hsg With Bearings        | 23:2        | 1-613204           | 1           | Balljoint                |
| 2:2         | 116-0720           | 2           | Bearing-Ball                        | 23:3        | 3220-3             | 1           | Nut-HJ                   |
| 2:3         | 116-3312           | 1           | Spacer-Bearing                      | 24          | 323-9              | 2           | Screw-HH                 |
| 3           | 116-3342           | 3           | ASM-Spindle And Seal ◻              | 25          | 1-323539           | 2           | Spacer                   |
| 4           | 116-1286           | 3           | Guard,Bearing Top .989              | 26          | 1-806009           | 4           | Hairpin, .177            |
| 5           | 116-0674           | 3           | Sheave,Blade Drive 5.90             | 27          | 1-806332           | 2           | Roll Pin, 1/4 X 1-1/2    |
| 6           | 116-5177           | 3           | Blade-Extreme 2, 16.25" ●           | 28          | 104-8301           | 4           | Nut-HF, NI               |
| 6           | 103-6401           | 3           | Blade-Notched                       | 29          | 322-3              | 2           | Screw-HH                 |
| 6           | 103-6391           | 3           | Blade, Mulching ◆                   | 30          | 322-2              | 1           | Screw-HH                 |
| 6           | 103-6386           | 3           | Blade, Low Lift ●                   | 31          | 104-8300           | 3           | Nut-HF, NI               |
| 6           | 103-6381           | 3           | Blade, Solid ●                      | 32          | 116-9981           | 4           | Kit, Anti-Scalp Roller   |
| 7           | 103-3037           | 3           | Bushing, Splined                    | 33          | 109-6936           | 1           | Cover-Belt, LH           |
| 9           | 109-9220           | 3           | Screw,Sems (1/2-20 X 2.19, GR5) ■ ○ | 34          | 109-6935           | 1           | Cover-Belt, RH           |
| 10          | 103-2802           | 3           | Washer                              | 35          | 126-0959           | 1           | ASM, Discharge Chute     |
| 11          | 116-7306           | 3           | Nut-Hex ▲                           | 35:1        | 109-2738           | 1           | Chute, Discharge         |
| 12          | 109-2872           | 2           | Spacer-Pulley                       | 35:2        | 126-0958-01        | 1           | Bracket, Discharge Chute |
| 13          | 116-4669           | 2           | Idler-Pulley, Flat                  | 35:3        | 3231-22            | 3           | Screw-CARR               |
| 14          | 126-2314           | 1           | ASM, Deck Idler                     | 35:4        | 109-6658           | 3           | Nut-Flange, NI           |
| 15          | 116-4668           | 1           | Idler-Pulley, Flanged               | 36          | 3231-22            | 2           | Screw-CARR               |
| 16          | 1-603001           | 2           | Rod, Deck Support                   | 37          | 116-6317           | 1           | Spring-Extension         |
| 17          | 1-413425           | 2           | Spacer-Deck Support                 | 38          | 126-0783           | 1           | Belt, Deck               |
| 18          | 103-2916           | 1           | Guard-Top                           | 39          | 3231-40            | 2           | Bolt-CARR, Short Neck    |
| 19          | 126-2782-01        | 1           | Baffle, Dogleg                      | 40          | 3231-24            | 1           | Screw-CARR               |
| 20          | 109-6658           | 25          | Nut-Flange, NI                      | 41          | 116-9362           | 4           | Screw-HH                 |
| 21          | 126-1680           | 1           | Screw-Hfh                           | 42          | 98-5975            | 4           | Washer-Belleville        |
| 22          | 1-603050           | 2           | Spacer                              | 43          | 116-8131           | 4           | Axle, Roller             |
| 23          | 1-414521           | 2           | Link Assy                           | 44          | 103-8415           | 4           | Roller-Anti-Scalp        |
|             |                    |             |                                     | 45          | 1-411532           | 2           | Kit, Support Link W/Pin  |

● Optional Equipment

▲ Torque to 130-160 ft-lb

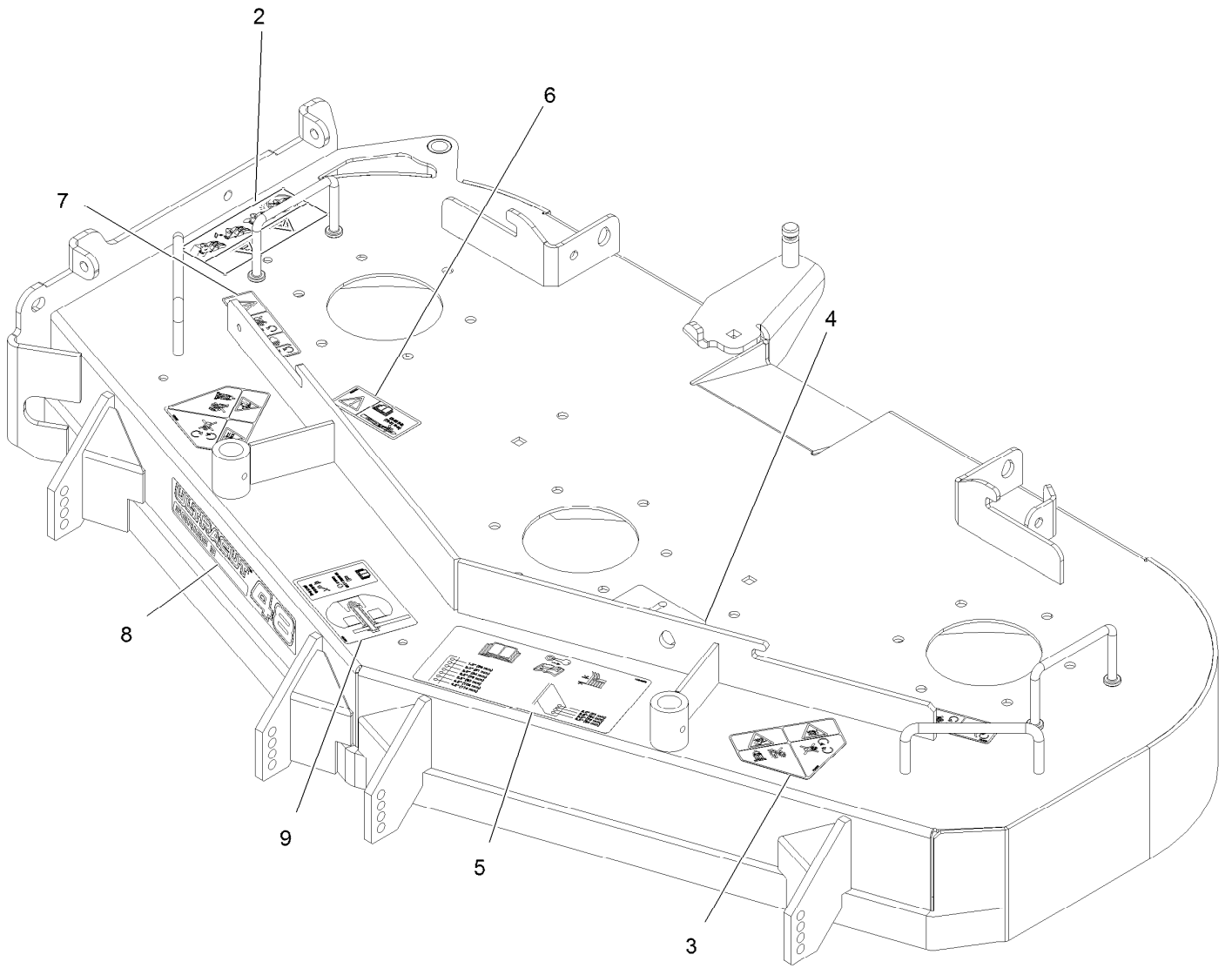
◆ Requires installation of mulch kit for proper mulching. See your Exmark dealer for details.

◻ Apply Mobil HTS grease (P/N 103-5217 1.5 oz packet) (or a food-grade anti-seize). See operator s manual for locations.

○ Apply lubricant to threads as needed to prevent seizing. Copper based anti-seize preferable. Grease is an acceptable substitute.

■ Torque to 50-60 ft-lb

# Deck W/Decals Assembly No. 126-0781

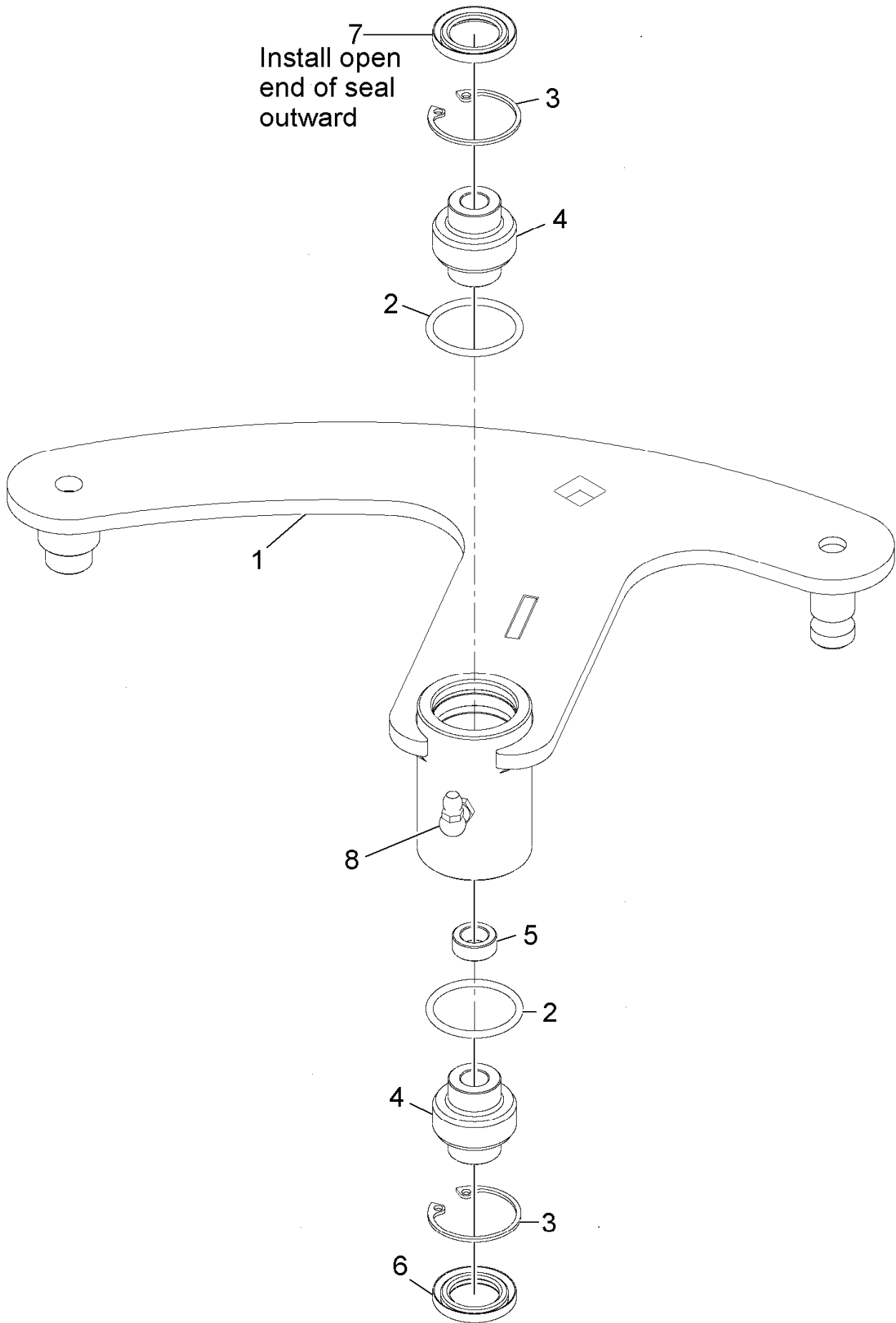




## Deck W/Decals Assembly No. 126-0781 (continued)

| <i>Ref.</i> | <i>Part Number</i> | <i>Qty.</i> | <i>Description</i>    | <i>Ref.</i> | <i>Part Number</i> | <i>Qty.</i> | <i>Description</i>         |
|-------------|--------------------|-------------|-----------------------|-------------|--------------------|-------------|----------------------------|
| 2           | 114-3489           | 1           | Decal-Warning, Bagger | 6           | 116-8283           | 1           | Decal-Bolt Torque          |
| 3           | 112-8760           | 2           | Decal-Danger          | 7           | 112-9028           | 3           | Decal-Cover, Missing       |
| 4           | 116-8727           | 1           | Decal-Belt Routing    | 8           | 126-6746           | 1           | Decal-Ultracut 48 Series 3 |
| 5           | 116-8278           | 1           | Decal-Anti-Scalp      | 9           | 126-0898           | 1           | Decal-Roller Mounting      |

# Deck Idler Assembly No. 126-2314

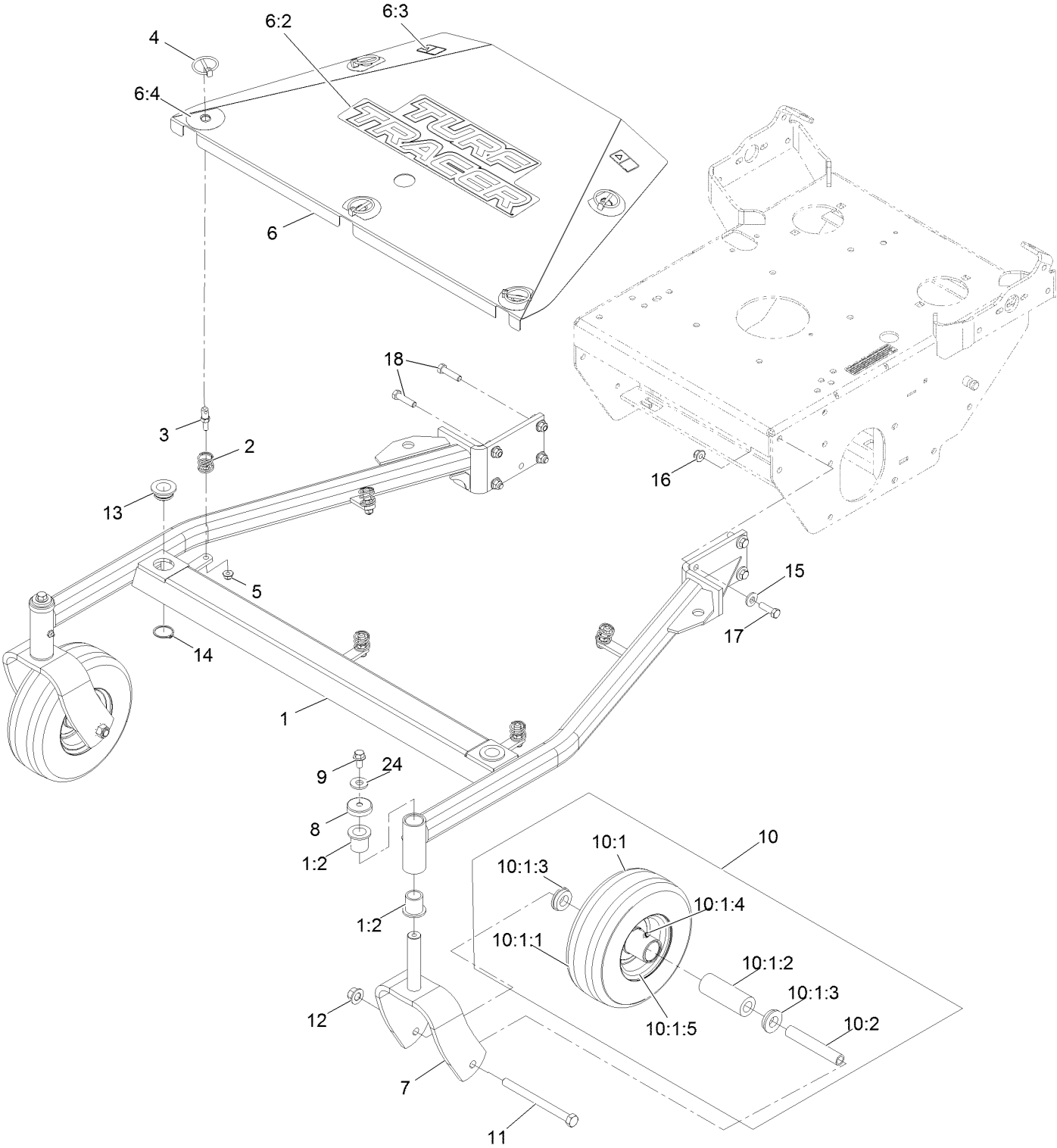


## Deck Idler Assembly No. 126-2314 (continued)

| <i>Ref.</i> | <i>Part Number</i> | <i>Qty.</i> | <i>Description</i> | <i>Ref.</i> | <i>Part Number</i> | <i>Qty.</i> | <i>Description</i>     |
|-------------|--------------------|-------------|--------------------|-------------|--------------------|-------------|------------------------|
| 1           |                    | 1           | Weld, Idler Arm ●  | 5           | 103-5677           | 1           | Spacer                 |
| 2           | 106-7159           | 2           | O-Ring             | 6           | 103-3505           | 1           | Seal-Lip, Double       |
| 3           | 32120-10           | 2           | Ring-Snap          | 7           | 103-3506           | 1           | Seal-Lip, Single       |
| 4           | 103-3504           | 2           | Bearing-Spherical  | 8           | 302-40             | 1           | Fitting-Grease, 90 DEG |

● Not serviced separately

# Main Frame Assembly

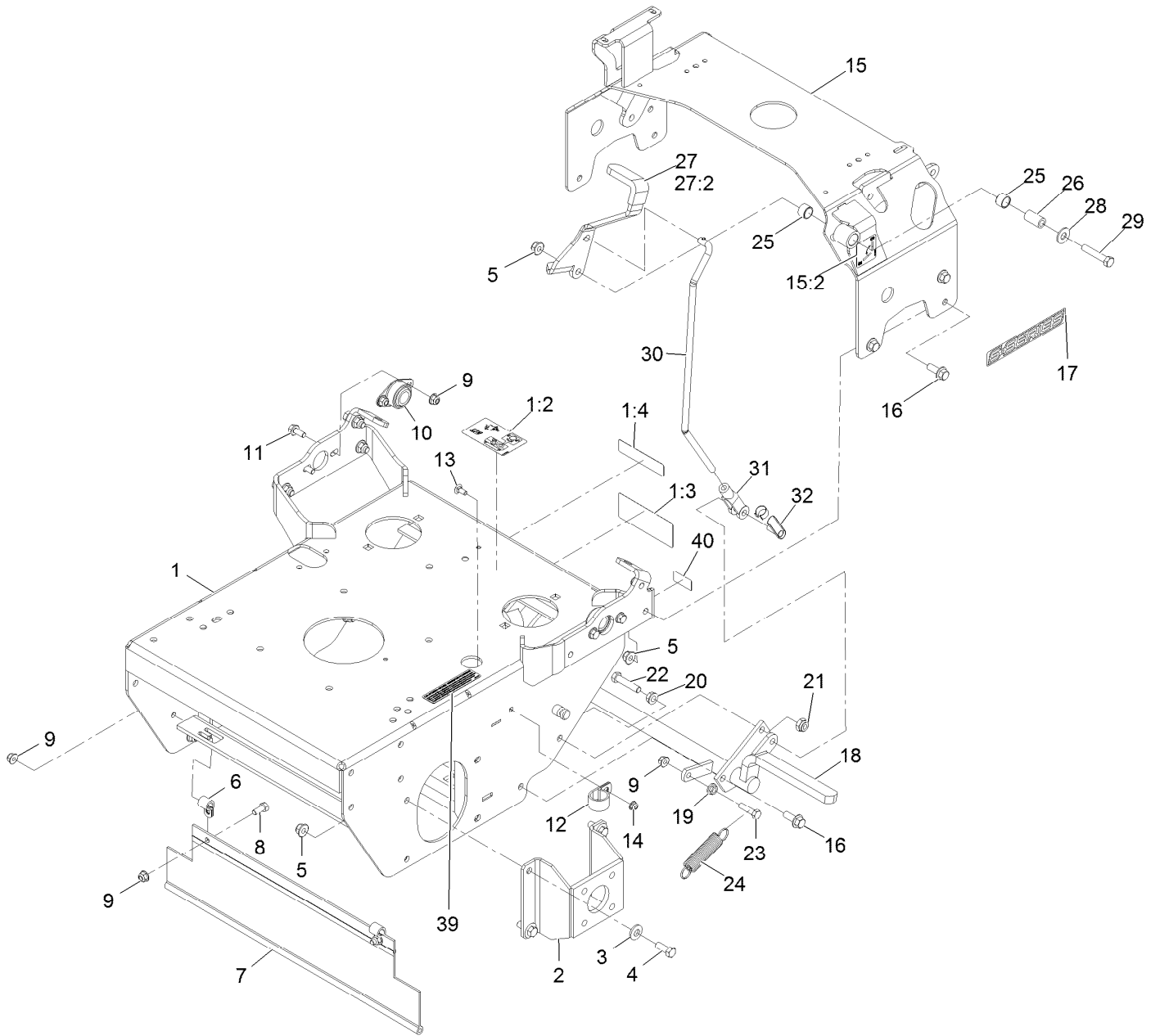


## Main Frame Assembly (continued)

| <i>Ref.</i> | <i>Part Number</i> | <i>Qty.</i> | <i>Description</i>                   | <i>Ref.</i> | <i>Part Number</i> | <i>Qty.</i> | <i>Description</i>      |
|-------------|--------------------|-------------|--------------------------------------|-------------|--------------------|-------------|-------------------------|
| 1           | 126-1514           | 1           | ASM, Frame W/ Bushings, 48           | 10:1        |                    | 1           | Wheel And Tire ASM ●    |
| 1:2         | 1-303514           | 4           | Bearing-Flanged                      | 10:1:1      |                    | 1           | Tire ●                  |
| 2           | 126-1503           | 4           | Spring                               | 10:1:2      | 1-513809           | 1           | Bearing                 |
| 3           | 126-1504           | 4           | Pin-Spring                           | 10:1:3      | 1-513810           | 2           | Bushing-Flanged         |
| 4           | 92-1298            | 4           | Pin-Lynch                            | 10:1:4      | 302-61             | 1           | Zerk-45° 1/4-28         |
| 5           | 104-8300           | 4           | Nut-Nyloc 5/16-18 Flg                | 10:1:5      |                    | 1           | Wheel ●                 |
| 6           | 126-1517           | 1           | ASM, Shield W/ Decals, 48            | 10:2        | 1-513547           | 1           | Spacer                  |
| 6:2         | 126-6892           | 1           | Decal-Turf Tracer                    | 11          | 325-20             | 2           | Screw-HH 1/2-13 X 6     |
| 6:3         | 106-5517           | 2           | Decal-Warning                        | 12          | 99-5107            | 2           | Nut-Lock 1/2-13         |
| 6:4         | 126-1692           | 4           | Decal-Scratch Cover                  | 13          | 1-513336           | 2           | Bushing-Deck            |
| 7           | 116-7941-01        | 2           | Fork, Caster [red]                   | 14          | 32120-33           | 2           | Ring-Retaining          |
| 8           | 126-1425           | 2           | Cap, Dust                            | 15          | 98-5975            | 8           | Washer-Spring Disc 3/8  |
| 9           | 110-1718           | 2           | Screw-Hex Flange 3/8-16 X 3/4        | 16          | 104-8301           | 8           | Nut-Nyloc 3/8-16 Flg    |
| 10          | 1-513547           | 2           | Spacer                               | 17          | 323-7              | 6           | Screw-HH 3/8-16 X 1 1/4 |
| 10          | 103-2171           | 2           | Kit,Semi-Pneumatic Wheel Replacement | 18          | 323-8              | 2           | Screw-HH 3/8-16 X 1 1/2 |
|             |                    |             |                                      | 24          | 1-373034           | 2           | Washer                  |

● Not serviced separately

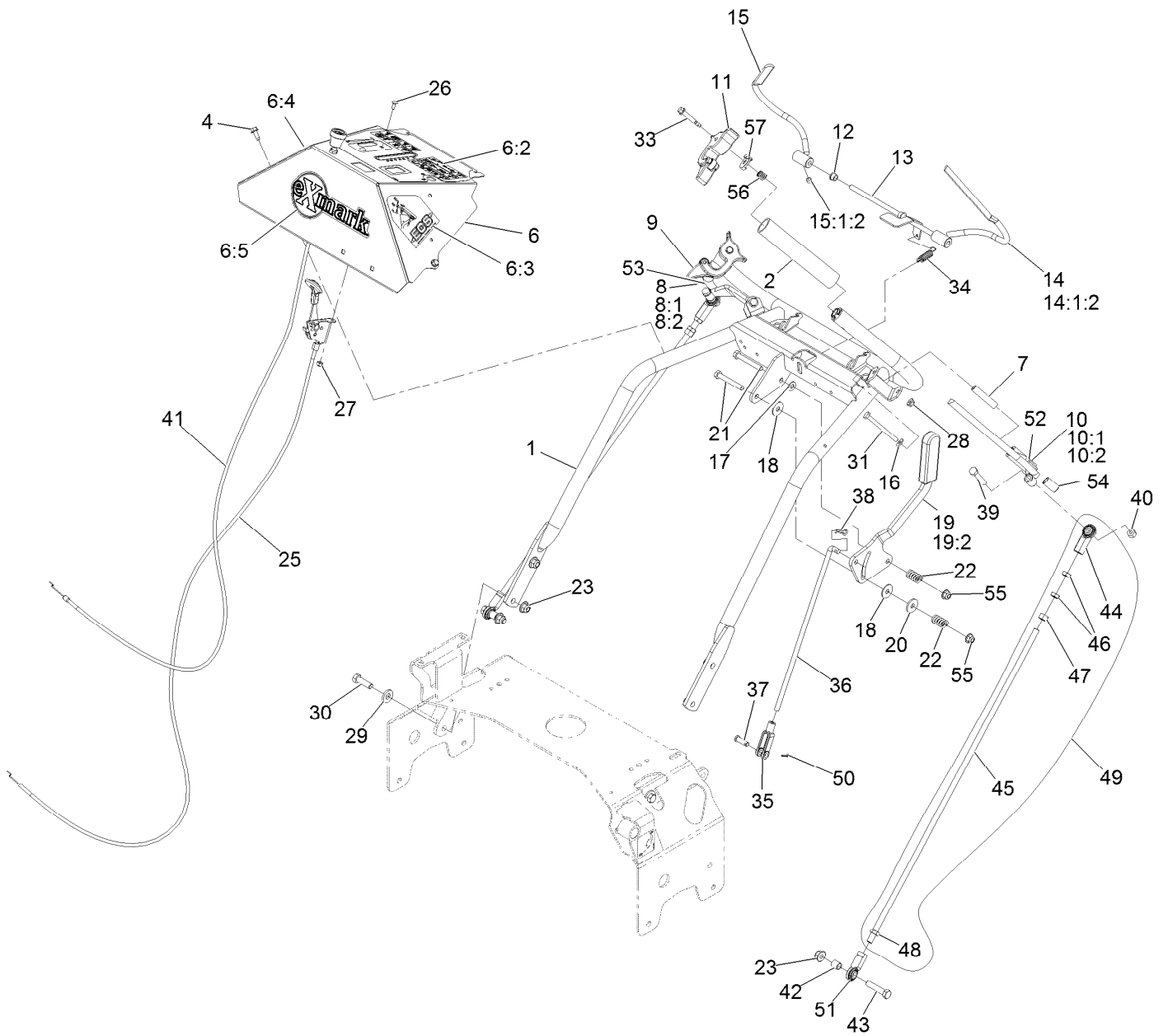
# Engine Deck



## Engine Deck (continued)

| <i>Ref.</i> | <i>Part Number</i> | <i>Qty.</i> | <i>Description</i>            | <i>Ref.</i> | <i>Part Number</i> | <i>Qty.</i> | <i>Description</i>       |
|-------------|--------------------|-------------|-------------------------------|-------------|--------------------|-------------|--------------------------|
| 1           | 126-1238           | 1           | ASM, Engine Deck W/<br>Decals | 16          | 3234-42            | 9           | Screw HHF 3/8-16 X 1     |
| 1:2         | 116-8253           | 1           | Decal-Drive Release           | 17          | 126-6572           | 2           | Decal-S-Series           |
| 1:3         | 126-1400           | 1           | Decal-Warning, Sulky          | 18          | 116-9964           | 1           | Brake                    |
| 1:4         | 98-1977            | 1           | Decal-Warning                 | 19          | 32128-20           | 1           | Nut-Whizlock 5/16-18     |
| 2           | 1-412082-01        | 2           | Mount-Wheel Motor             | 20          | 3290-357           | 1           | Nut-Whizlock 3/8-16      |
| 3           | 98-5975            | 8           | Washer-Spring Disc 3/8        | 21          | 3296-44            | 1           | Nut-Lock, NI             |
| 4           | 323-6              | 8           | Screw-HH 3/8-16 X 1           | 22          | 323-9              | 1           | Screw-HH 3/8-16 X 1 3/4  |
| 5           | 104-8301           | 18          | Nut-Nyloc 3/8-16 Flg          | 23          | 322-6              | 1           | Screw-HH 5/16-18 X 1 1/4 |
| 6           | 1-413510           | 2           | Clip-Loom                     | 24          | 1-323161           | 1           | Spring                   |
| 7           | 103-2056           | 1           | Shield-Drag                   | 25          | 1-413347           | 2           | Sleeve-Bushing           |
| 8           | 322-3              | 2           | Screw-HH 5/16-18 X 3/4        | 26          | 1-413344           | 1           | Bushing-Pivot            |
| 9           | 104-8300           | 7           | Nut-Nyloc 5/16-18 Flg         | 27          | 126-2180           | 1           | ASM, Brake Lever W/ Grip |
| 10          | 1-633102           | 2           | Bearing-Flanged               | 27:2        | 1-303020           | 1           | Grip-Lever               |
| 11          | 3234-47            | 4           | Screw-HH Flg 5/16-18 X 3/4    | 28          | 3256-4             | 1           | Washer-3/8 Std           |
| 12          | 1-643312           | 1           | Clip-Loom                     | 29          | 323-10             | 1           | Screw-HH 3/8-16 X 2      |
| 13          | 3229-11            | 1           | Bolt-Carriage 1/4-20 X 5/8    | 30          | 116-9959           | 1           | Linkage, Brake           |
| 14          | 104-7201           | 1           | Nut-Nyloc 1/4-20 Flg          | 31          | 1-633131           | 1           | Yoke-Linkage, Brake      |
| 15          | 126-2181           | 1           | ASM, Tank Support W/<br>Decal | 32          | 103-2399           | 1           | Pin-Clevis Spring 3/8    |
| 15:2        | 116-5988           | 1           | Decal-Park Brake, CE          | 39          | 117-2718           | 1           | Decal-Arrester, Spark    |
|             |                    |             |                               | 40          | 126-4345           | 1           | Decal-Patent             |

# Handle Assembly





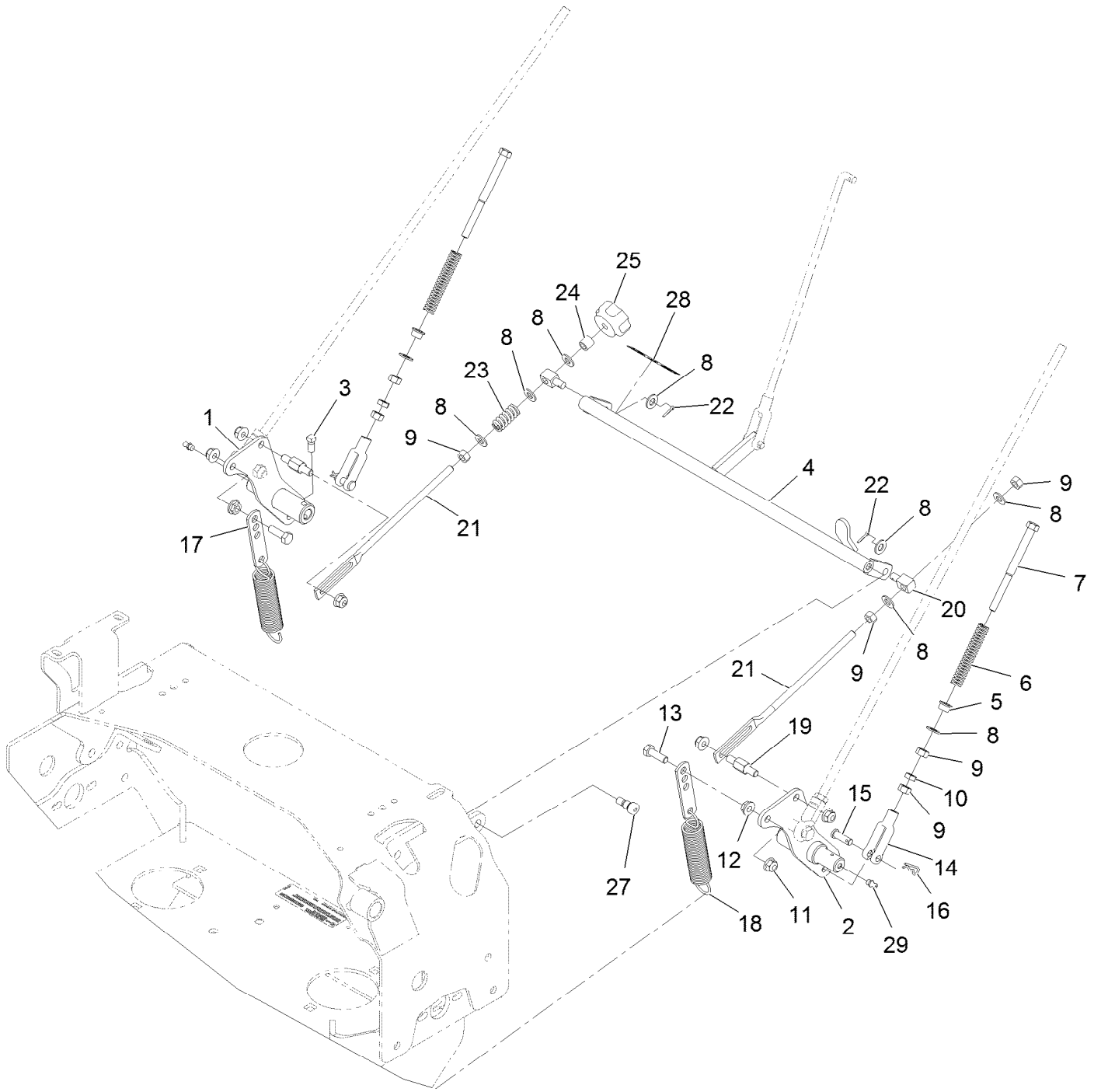
## Handle Assembly (continued)

| <i>Ref.</i> | <i>Part Number</i> | <i>Qty.</i> | <i>Description</i>        | <i>Ref.</i> | <i>Part Number</i> | <i>Qty.</i> | <i>Description</i>         |
|-------------|--------------------|-------------|---------------------------|-------------|--------------------|-------------|----------------------------|
| 1           | 126-2642-03        | 1           | Weld, Handle              | 25          | 109-3958           | 1           | Control-Throttle           |
| 2           | 103-0815           | 2           | Grip-Bar, Handle          | 26          | 1-807513           | 2           | Bolt-Carriage #10-24 X 1/2 |
| 4           | 32144-10           | 2           | Screw-HWH 1/4-20 X .62    | 27          | 3296-2             | 2           | Nut-Nyloc #10-24           |
| 6           | 126-4707           | 1           | ASM, Console W/ Decals    | 28          | 104-7201           | 2           | Nut-Nyloc 1/4-20 Flg       |
| 6:2         | 135-2851           | 1           | Decal-Console             | 29          | 98-5975            | 4           | Washer-Spring Disc 3/8     |
| 6:3         | 103-2242           | 1           | Decal, Ecs Instruction LH | 30          | 323-7              | 4           | Screw-HH 3/8-16 X 1 1/4    |
| 6:4         | 103-2243           | 1           | Decal, Ecs Instruction RH | 31          | 321-14             | 2           | Screw-HH 1/4-20 X 2 3/4    |
| 6:5         | 126-6877           | 1           | Decal, Exmark Logo        | 33          | 126-2931           | 2           | Screw-Shoulder             |
| 7           | 103-0027           | 2           | Bushing-Lever, Drive      | 34          | 1-303363           | 1           | Spring-Extension           |
| 8           | 103-2513           | 1           | Asm, Drive Lever RH       | 35          | 1-303105           | 1           | Yoke-Adjustable            |
| 8:1         | 116-4082           | 1           | Wld,RH Drive Lever        | 36          | 1-413225           | 1           | Rod, Speed Control         |
| 8:2         | 126-9366           | 2           | Bushing, Sleeve           | 37          | 1-808280           | 1           | Pin-Clevis 5/16 X 1 49/64  |
| 9           | 103-1371           | 1           | Thumb Latch Asm RH        | 38          | 1-806003           | 1           | Hairpin-Cotter             |
| 10          | 103-2514           | 1           | Asm, Drive Lever LH       | 39          | 322-9              | 2           | Screw-HH 5/16-18 X 1 3/4   |
| 10:1        | 116-4081           | 1           | Wld,LH Drive Lever        | 40          | 3296-29            | 2           | Nut-Nyloc 5/16-18          |
| 10:2        | 126-9366           | 2           | Bushing, Sleeve           | 41          | 126-2107           | 1           | Cable, Choke               |
| 11          | 103-1372           | 1           | Thumb Latch Asm LH        | 42          | 103-1166           | 2           | Spacer-Tube, Pump Link     |
| 12          | 1-303365           | 2           | Bushing-Nylon             | 43          | 323-9              | 2           | Screw-HH 3/8-16 X 1 3/4    |
| 13          | 103-0769-03        | 1           | Rod Weldment, OPC         | 44          | 103-2463           | 2           | Balljoint                  |
| 14          | 116-4079           | 1           | Wld,LH OPC Lever ■        | 45          | 103-1148           | 2           | Rod,Drive Lever            |
| 14:1:2      | 1-803322           | 1           | Setscrew-5/16-24 X 5/16 ● | 46          | 3220-3             | 4           | Nut-Jam 3/8-24             |
| 15          | 116-4080           | 1           | Wld,RH OPC Lever ■        | 47          | 3219-3             | 2           | Nut-Hex 3/8-24             |
| 15:1:2      | 1-803322           | 1           | Setscrew-5/16-24 X 5/16 ● | 48          | 3220-16            | 2           | Nut-Jam 3/8-24 LH          |
| 16          | 3256-22            | 2           | Washer-1/4 SAE            | 49          | 116-3414           | 2           | Drive Link ASM             |
| 17          | 3256-23            | 1           | Washer-5/16 SAE           | 50          | 3272-5             | 1           | Pin-Cotter 3/32 X 1/2      |
| 18          | 1-323244           | 2           | Washer-Friction           | 51          | 103-1167           | 2           | Joint-Ball End             |
| 19          | 126-0148           | 1           | Lever, Shift W/Grip       | 52          | 116-4081           | 1           | Wld,LH Drive Lever         |
| 19:2        | 103-5994           | 1           | Grip-Handle, Steering     | 53          | 116-4082           | 1           | Wld,RH Drive Lever         |
| 20          | 1-603716           | 1           | Washer-Friction Disc      | 54          | 126-9366           | 4           | Bushing, Sleeve            |
| 21          | 322-11             | 2           | Screw-HH 5/16-18 X 2 1/4  | 55          | 104-8300           | 2           | Nut-Nyloc 5/16-18 Flg      |
| 22          | 1-323245           | 2           | Spring-Compression        | 56          | 1-633349           | 2           | Spring-Compression         |
| 23          | 104-8301           | 6           | Nut-Nyloc 3/8-16 Flg      | 57          | 126-2921           | 2           | Latch, Ecs                 |

● Use Pro-Lock, Nut Type (P/N 1-840022, .5ml tube) on threads.

■ Use Pro-Lock retaining type, Part no. 1-840023 (.5cc tube) on inside of bore of OPC hub.

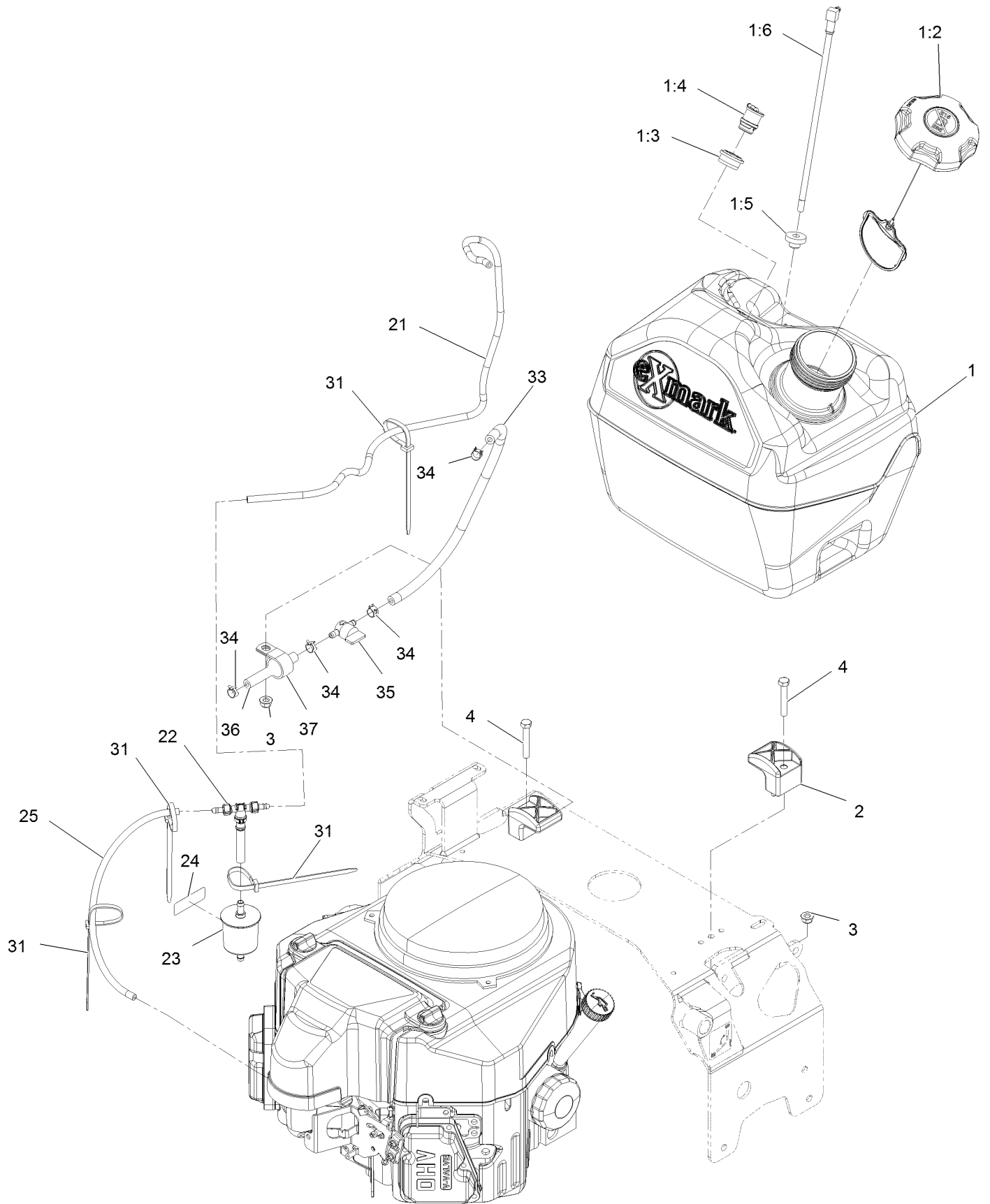
# Controls Assembly



## Controls Assembly (continued)

| <i>Ref.</i> | <i>Part Number</i> | <i>Qty.</i> | <i>Description</i>       | <i>Ref.</i> | <i>Part Number</i> | <i>Qty.</i> | <i>Description</i>        |
|-------------|--------------------|-------------|--------------------------|-------------|--------------------|-------------|---------------------------|
| 1           | 116-9975           | 1           | Weld, Motion Control, Rt | 15          | 1-808280           | 2           | Pin-Clevis 5/16 X 1 49/64 |
| 2           | 116-9974           | 1           | Weld, Motion Control, Lt | 16          | 1-806003           | 2           | Hairpin-Cotter            |
| 3           | 1-803022           | 2           | Setscrew-5/16-18 X 5/8   | 17          | 1-613089           | 2           | Tab-Spring, Extension     |
| 4           | 126-2982-01        | 1           | Weld, Speed Control      | 18          | 1-603693           | 2           | Spring                    |
| 5           | 1-603735           | 2           | Bushing-Flanged          | 19          | 126-0610           | 2           | Pin, Motion Control       |
| 6           | 103-0265           | 2           | Spring, Neutral Return   | 20          | 1-603676           | 2           | Swivel-Adjustable, Short  |
| 7           | 1-603737           | 2           | Bolt-Neutral Return      | 21          | 1-413350           | 2           | Link-Control, Speed       |
| 8           | 3256-23            | 9           | Washer-5/16 SAE          | 22          | 3272-5             | 2           | Pin-Cotter 3/32 X 1/2     |
| 9           | 3219-2             | 7           | Nut-Hex 5/16-24          | 23          | 1-323245           | 1           | Spring-Compression        |
| 10          | 3220-2             | 2           | Nut-Jam 5/16-24          | 24          | 1-603903           | 1           | Spacer                    |
| 11          | 104-8300           | 6           | Nut-Nyloc 5/16-18 Flg    | 25          | 103-3060           | 1           | Knob-Tracking             |
| 12          | 32128-20           | 2           | Nut-Whizlock 5/16-18     | 27          | 1-809056           | 2           | Screw-Sh 5/16-18 X 1 3/8  |
| 13          | 322-5              | 2           | Screw-HH 5/16-18 X 1     | 28          | 116-7918           | 1           | Decal-Tracking Adjustment |
| 14          | 1-303105           | 2           | Yoke-Adjustable          | 29          | 302-19             | 2           | Zerk-1/4-28 Str           |

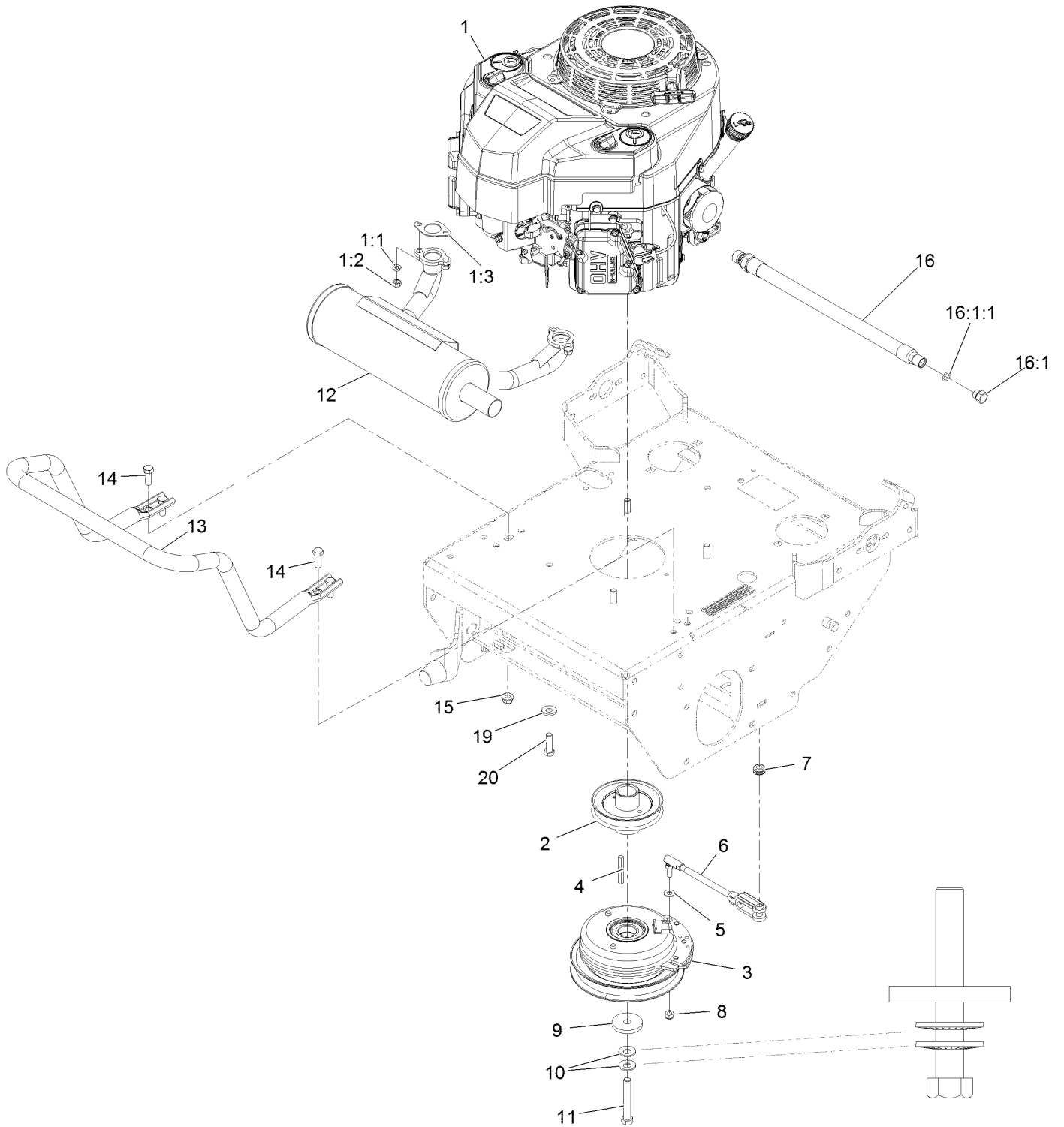
# Fuel Assembly



## Fuel Assembly (continued)

| <i>Ref.</i> | <i>Part Number</i> | <i>Qty.</i> | <i>Description</i>                  | <i>Ref.</i> | <i>Part Number</i> | <i>Qty.</i> | <i>Description</i>        |
|-------------|--------------------|-------------|-------------------------------------|-------------|--------------------|-------------|---------------------------|
| 1           | 135-2855           | 1           | ASM, Fuel Tank 5 Gal                | 22          | 116-5464           | 1           | Tee And Check             |
| 1:2         | 137-4119           | 1           | Cap-Fuel, Ratcheting                | 23          | 120-2235           | 1           | Filter-Fuel               |
| 1:3         | 114-0284           | 1           | Grommet                             | 24          | 116-4769           | 1           | Decal-Filter, Emissions   |
| 1:4         | 119-3547           | 1           | Valve-Vent, Fuel                    | 25          | 115-7872           | 1           | Hose-Fuel                 |
| 1:5         | 46-6560            | 1           | Bushing                             | 31          | 1-303335           | 4           | Tie-Cable 7 15/16 (Large) |
| 1:6         | 109-9364           | 1           | Fitting-Fuel (W/Line And<br>Screen) | 33          | 114-4428           | 1           | Hose-Fuel                 |
| 2           | 107-4543           | 2           | Clamp                               | 34          | 2412-98            | 4           | Clamp-Hose                |
| 3           | 104-8300           | 2           | Nut-Nyloc 5/16-18 Flg               | 35          | 1-603770           | 1           | Valve-Fuel                |
| 4           | 322-10             | 2           | Screw-HH 5/16-18 X 2                | 36          | 105-8342           | 1           | Hose-Fuel                 |
| 21          | 126-1679           | 1           | Hose, Emissions                     | 37          | 1-643312           | 1           | Clip-Loom                 |

# Engine Assembly



## Engine Assembly (continued)

| <i>Ref.</i> | <i>Part Number</i> | <i>Qty.</i> | <i>Description</i>          | <i>Ref.</i> | <i>Part Number</i> | <i>Qty.</i> | <i>Description</i>             |
|-------------|--------------------|-------------|-----------------------------|-------------|--------------------|-------------|--------------------------------|
| 1           |                    | 1           | Engine, Kawasaki 600Cc ■▲   | 10          | 1-603610           | 2           | Washer-Spring Disc 7/16        |
| 1:1         | 114-3550           | 4           | Washer-Spring Lock M8       | 11          | 3212-12            | 1           | Screw-HH 7/16-20 X 3 □         |
| 1:2         | 114-3549           | 4           | Nut-M8                      | 12          | 116-3735           | 1           | Muffler-Horizontal             |
| 1:3         | 1-653313           | 2           | Gasket-Exhaust              | 13          | 116-6278-03        | 1           | Guard-Muffler                  |
| 2           | 116-7328           | 1           | Sheave, W/ Hub              | 14          | 323-6              | 4           | Screw-HH 3/8-16 X 1            |
| 3           | 126-2615           | 1           | Clutch, 105 Ft/Lbs, 1.13    | 15          | 104-8301           | 4           | Nut-Nyloc 3/8-16 Flg           |
| 4           | 5-1336             | 1           | Key-Machine 1/4 X 1/4 X 2 ○ | 16          | 116-5052           | 1           | Asm-Oil Drain Hose W/Plug<br>◆ |
| 5           | 3256-23            | 1           | Washer-5/16 SAE             | 16:1        | 353-508            | 1           | Plug-W/O-Ring ●                |
| 6           | 126-0620           | 1           | ASM, Clutch Anchor          | 16:1:1      | 237-42             | 1           | O-Ring                         |
| 7           | 237-136            | 1           | Grommet                     | 19          | 98-5975            | 4           | Washer-Spring Disc 3/8         |
| 8           | 3296-4             | 1           | Nut-Lock 5/16-24            | 20          | 323-7              | 4           | Screw-HH 3/8-16 X 1 1/4        |
| 9           | 109-6919           | 1           | Washer-Clutch               |             |                    |             |                                |

● Torque to 20-24 ft-lb

■ Not serviced separately

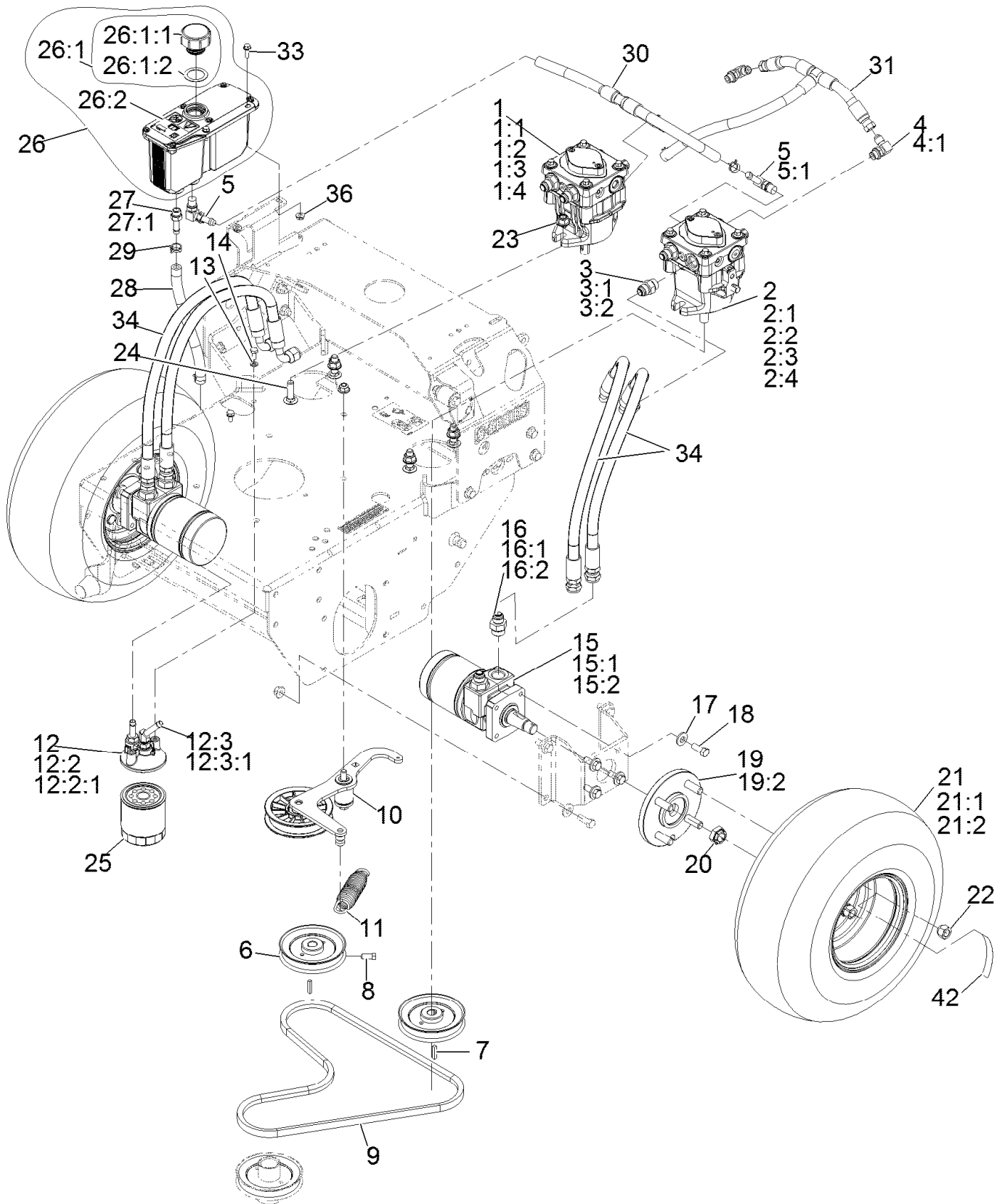
▲ Obtain parts from [www.kawpowerepc.com](http://www.kawpowerepc.com)

◆ Use a Teflon Pipe Sealant or equivalent on threads.

□ Use Pro-Lock, Nut Type (P/N 1-840022, .5ml tube) on threads.

○ Apply anti-seize compound to engine crankshaft, pulley hub I.D., clutch bore I.D. and square key.

# Ground Drive Assembly





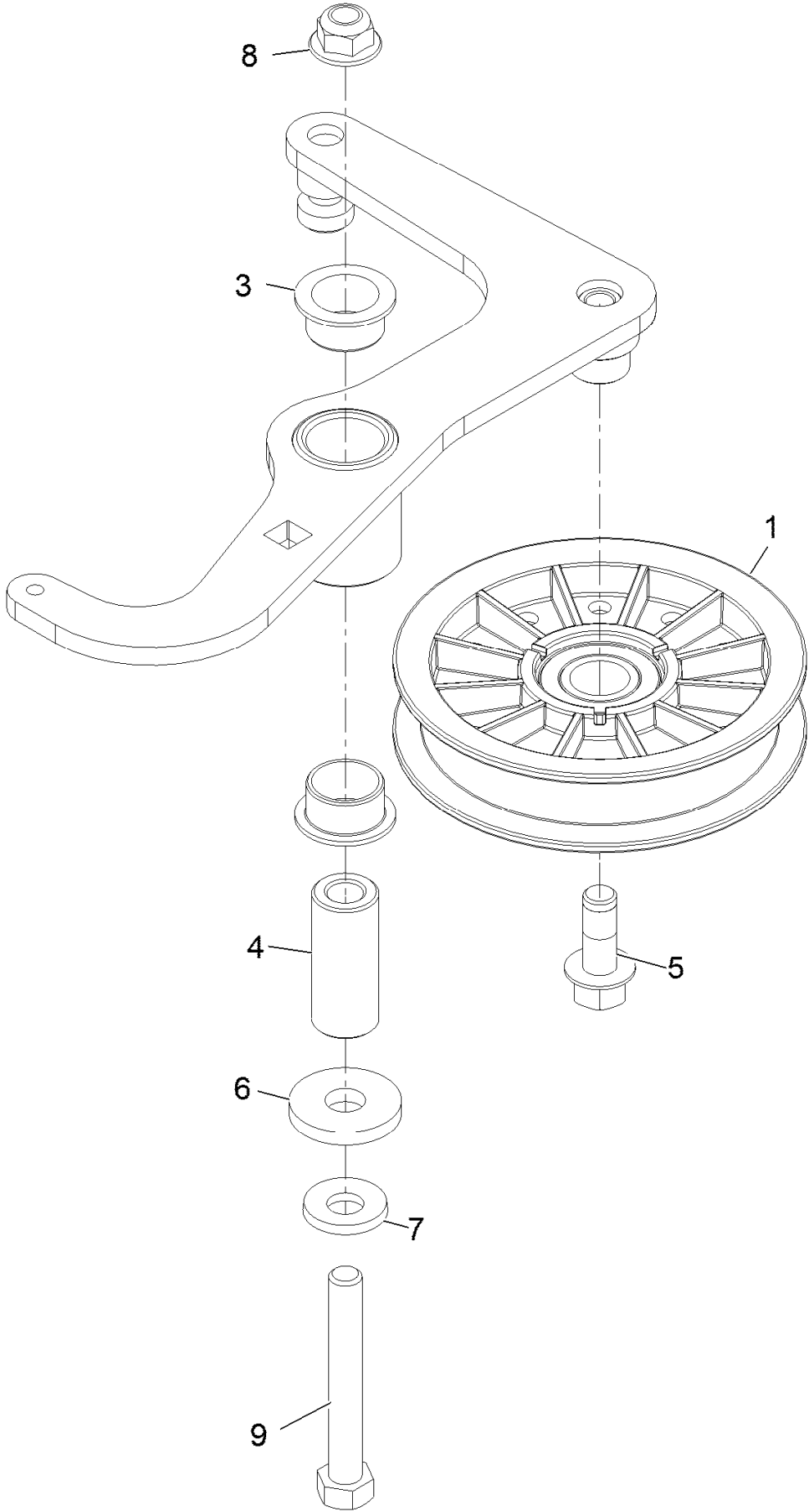
## Ground Drive Assembly (continued)

| <i>Ref.</i> | <i>Part Number</i> | <i>Qty.</i> | <i>Description</i>              | <i>Ref.</i> | <i>Part Number</i> | <i>Qty.</i> | <i>Description</i>               |
|-------------|--------------------|-------------|---------------------------------|-------------|--------------------|-------------|----------------------------------|
| 1           | 116-0943           | 1           | RH HYD Pump ASM                 | 15:2        | 1-000138           | 1           | Bearing And Seal Kit             |
| 1:1         | 103-2664           | 1           | Input Shaft Kit                 | 16          | 1-603991           | 4           | Adapter-Straight                 |
| 1:2         | 94-6922            | 1           | Bearing-Thrust                  | 16:1        | 237-80             | 1           | O-Ring                           |
| 1:3         | 103-2666           | 1           | Cylinder Block Kit              | 16:2        | 1-603992           | 1           | O-Ring-37 Flare #8               |
| 1:4         | 105-6184           | 1           | Seal Overhaul Kit               | 17          | 98-5975            | 8           | Washer-Spring Disc 3/8           |
| 2           | 116-0942           | 1           | LH HYD Pump ASM                 | 18          | 323-6              | 8           | Screw-HH 3/8-16 X 1              |
| 2:1         | 103-2664           | 1           | Input Shaft Kit                 | 19          | 112-9049           | 2           | Wheel Hub ASM                    |
| 2:2         | 94-6922            | 1           | Bearing-Thrust                  | 19:2        | 1-633926           | 4           | Stud-Wheel                       |
| 2:3         | 103-2666           | 1           | Cylinder Block Kit              | 20          | 116-2839           | 2           | Nut-Lock                         |
| 2:4         | 105-6184           | 1           | Seal Overhaul Kit               | 21          | 1-613263           | 2           | Wheel And Tire ASM               |
| 3           | 1-603990           | 4           | Adapter-Straight                | 21:1        | 1-613264           | 1           | Tire-Turfmaster                  |
| 3:1         | 1-603920           | 1           | O-Ring-SAE #8                   | 21:2        | 1-603715           | 1           | Rim-Wheel                        |
| 3:2         | 1-603992           | 1           | O-Ring-37 Flare #8              | 22          | 242-50             | 8           | Nut-Lug 1/2-20                   |
| 4           | 103-1802           | 2           | Fitting-Elbow, 90 DEG           | 23          | 114-8417           | 4           | Nut-HF, NI                       |
| 4:1         | 237-42             | 1           | O-Ring                          | 24          | 3232-3             | 4           | Bolt-Carriage 7/16-14 X 1<br>1/2 |
| 5           | 100-4887           | 3           | Fitting-Elbow, 90               | 25          | 109-4180           | 1           | Element, Oil Filter              |
| 5:1         | 237-42             | 1           | O-Ring                          | 26          | 126-1248           | 1           | ASM, HYD Reservoir ■             |
| 6           | 1-413010           | 2           | Sheave ASM                      | 26:1        |                    | 1           | Reservoir-HYD ●                  |
| 7           | 1-807272           | 2           | Key-5Mm X 5Mm X 25Mm            | 26:1:1      | 103-1948           | 1           | Cap-Reservoir, HYD               |
| 8           | 120-6474           | 4           | Screw-Set, SQH 5/16-18 X<br>3/4 | 26:1:2      | 103-1949           | 1           | Gasket-Cap                       |
| 9           | 103-4761           | 1           | Belt                            | 26:2        | 115-4212           | 1           | Decal-Warning                    |
| 10          | 126-0615           | 1           | ASM, Pump Idler                 | 27          | 103-1912           | 1           | Adapter-Straight                 |
| 11          | 116-6316           | 1           | Spring-Extension                | 27:1        | 237-42             | 1           | O-Ring                           |
| 12          | 126-0621           | 1           | ASM, Filter Head                | 28          | 103-2959           | 1           | Hose-Charge                      |
| 12:2        | 103-1912           | 1           | Adapter-Straight                | 29          | 103-1988           | 6           | Clamp-Hose 11/16                 |
| 12:2:1      | 237-42             | 1           | O-Ring                          | 30          | 126-0623           | 1           | Hose-Case Drain                  |
| 12:3        | 103-1807           | 1           | Fitting-Barbed, 45 DEG          | 31          | 126-0622           | 1           | Hose-Charge                      |
| 12:3:1      | 237-42             | 1           | O-Ring                          | 33          | 32105-15           | 2           | Screw-Machine 1/4-20 X 3/4       |
| 13          | 1-805004           | 2           | Washer-Lock 1/4 Heavy           | 34          | 119-7827           | 4           | HYD Hose ASM                     |
| 14          | 321-3              | 2           | Screw-HH 1/4-20 X 5/8           | 36          | 32128-33           | 2           | Nut-Whizlock 1/4-20              |
| 15          | 1-603718           | 2           | HYD Motor ASM                   | 42          | 126-2056           | 2           | Decal-Torque Wheel<br>Lug-Hub    |
| 15:1        | 1-000119           | 1           | Seal Kit                        |             |                    |             |                                  |

● Not serviced separately

■ Use Exmark Premium Hydro Oil P/N 109-9828 (32oz)

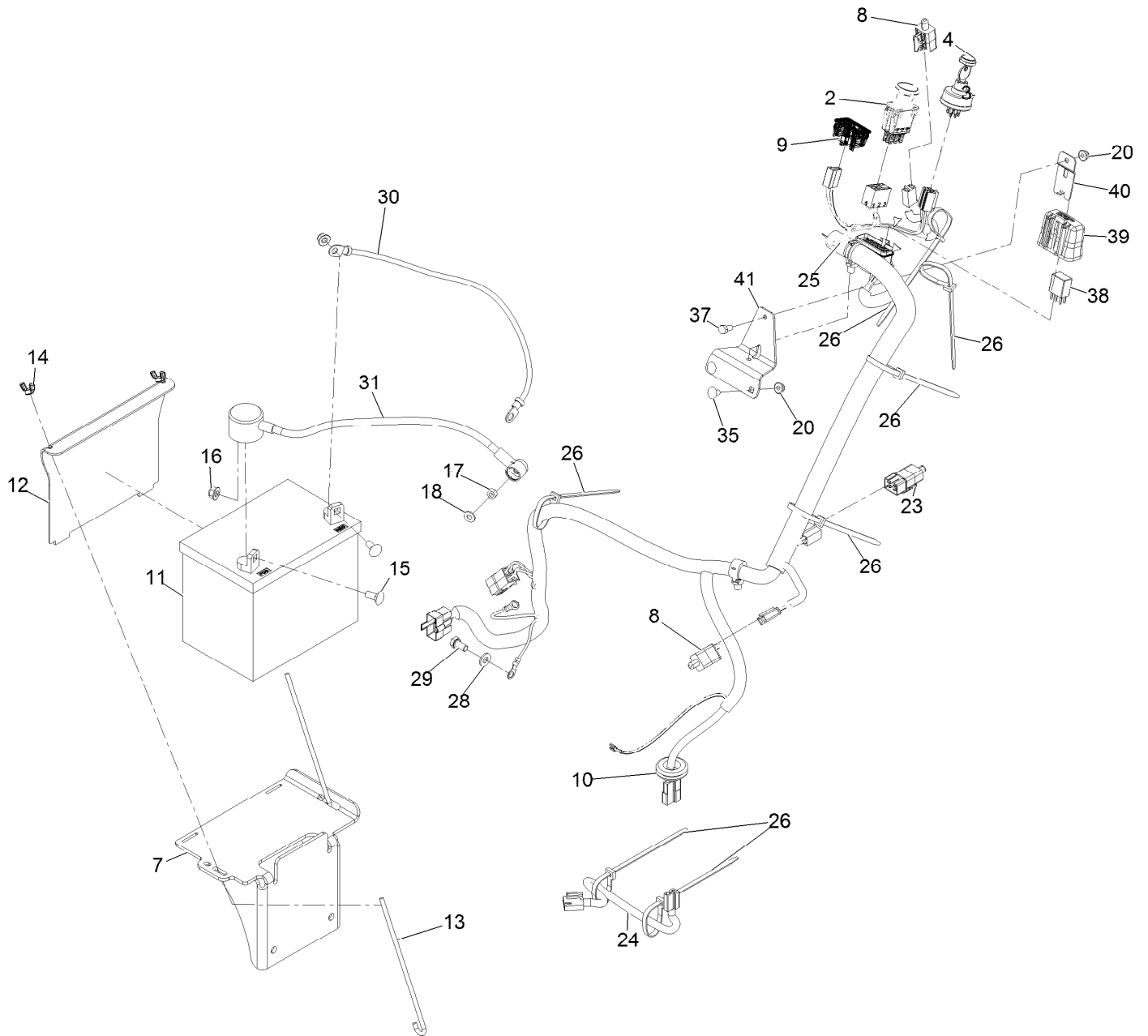
# Pump Idler Assembly No. 126-0615



## Pump Idler Assembly No. 126-0615 (continued)

| <i>Ref.</i> | <i>Part Number</i> | <i>Qty.</i> | <i>Description</i> | <i>Ref.</i> | <i>Part Number</i> | <i>Qty.</i> | <i>Description</i>     |
|-------------|--------------------|-------------|--------------------|-------------|--------------------|-------------|------------------------|
| 1           | 109-4077           | 1           | Pulley-Idler, Flat | 6           | 1-373034           | 1           | Washer                 |
| 3           | 109-8054           | 2           | Bushing-Flanged    | 7           | 98-5975            | 1           | Washer-Spring Disc 3/8 |
| 4           | 116-8718           | 1           | Spacer, Pivot      | 8           | 104-8301           | 1           | Nut-Nyloc 3/8-16 Flg   |
| 5           | 126-1680           | 1           | Screw-Hfh          | 9           | 112-7451           | 1           | Screw-TAP              |

# Electrical Assembly



## Electrical Assembly (continued)

| <i>Ref.</i> | <i>Part Number</i> | <i>Qty.</i> | <i>Description</i>          | <i>Ref.</i> | <i>Part Number</i> | <i>Qty.</i> | <i>Description</i>          |
|-------------|--------------------|-------------|-----------------------------|-------------|--------------------|-------------|-----------------------------|
| 2           | 103-5221           | 1           | Switch-PTO                  | 23          | 126-1904           | 1           | Switch, 2 Pole              |
| 3           | 135-2253           | 1           | Switch, Key Start           | 24          | 126-0624           | 1           | Harness-Clutch Pigtail      |
| 4           | 103-0498           | 1           | Nut-Ignition                | 25          | 126-6172           | 1           | Harness-Wiring ▲            |
| 7           | 126-1470-03        | 1           | Weld, Battery Mount         | 26          | 1-303335           | 7           | Tie-Cable 7 15/16 (Large)   |
| 8           | 110-6765           | 2           | Switch                      | 28          | 33094-00           | 1           | Washer                      |
| 9           | 126-3931           | 1           | Hour Meter                  | 29          | 33114-016          | 1           | Screw-HH M8-1.25 X 16Mm     |
| 10          | 1-543286           | 1           | Grommet                     | 30          | 1-413540           | 1           | Cable-Battery, Negative ●   |
| 11          |                    | 1           | Battery (300 CCA, Wet) ■    | 31          | 109-7628           | 1           | Cable, Battery +            |
| 12          | 126-0069-03        | 1           | Bracket, Battery Hold Down  | 35          | 3229-10            | 2           | Screw-CARR                  |
| 13          | 1-633651           | 2           | Bolt-Holddown               | 37          | 321-2              | 1           | Screw-HH                    |
| 14          | 1-543792           | 2           | Wingnut-Nyloc 1/4-20        | 38          | 126-6157           | 1           | Relay-Micro 280, Spdt       |
| 15          | 3230-1             | 2           | Bolt-Carriage 5/16-18 X 3/4 | 39          | 32180-176          | 1           | Cover-Block, Fuse           |
| 16          | 104-8300           | 2           | Nut-Nyloc 5/16-18 Fig       | 40          | 32180-177          | 1           | Clip-Mounting               |
| 17          | 3217-5             | 1           | Nut-Hex 1/4-20              | 41          | 126-6603-03        | 1           | Bracket-Mounting, Fuseblock |
| 18          | 3256-22            | 1           | Washer-1/4 SAE              |             |                    |             |                             |
| 20          | 104-7201           | 3           | Nut-HF                      |             |                    |             |                             |

● Not illustrated

■ Not serviced separately

▲ Use dielectric grease on all unsealed connectors and terminals only. Do not apply in sealed connectors.

**Notes:**



# MAXIMIZE THE PERFORMANCE OF YOUR EXMARK MACHINE.



## EXMARK® PREMIUM ENGINE OIL

Exmark now offers a family of engine oil viscosities to perform well in any environment. Each viscosity has the same synthetic formulation to give you what you need in punishing conditions. We designed each grade to the highest quality, making it ideal even for diesel applications. Coupled with Exmark Premium Fuel Treatment, we have the performance products to make your machine hum.

### EXMARK PREMIUM ENGINE OIL SAE 30/10W-30

- Meets zero shear requirements of a straight grade SAE 30 as well as the cold temp properties of a 10W-30.
- Most versatile oil in the industry.
- Superior corrosion protection over conventional oil - even in corrosive, humid environments.

### EXMARK PREMIUM ENGINE OIL SAE 20W-50

- Perfect for your big block engine, or any application in severe service.
- Same full synthetic formulation as all other Exmark Premium viscosities.
- Also effective for use in severe service small block engines.

### EXMARK PREMIUM ENGINE OIL SAE 10W-50

- Full synthetic formulation gives you peak performance. Don't settle for less.
- Wide span multi-grade combines easy starting in cold weather with maximum protection in high temperature operation.
- Reduce friction & wear over standard mineral formulations.

### EXMARK PREMIUM ENGINE OIL SAE 0W-40

- The perfect choice for when the weather turns cold or unpredictable, and your Exmark UTV has to perform.
- Commercial quality for severe service.
- Advanced additive package helps prevent corrosion from long-term storage.

### EXMARK PREMIUM ENGINE OIL UTV FORMULATION

- 4-cycle high-temp formulation.
- Heavier viscosity, full synthetic, perfect for your UTV.

### EXMARK PREMIUM UTV EXTREME CONDITIONS GEAR OIL

- SAE 80W-90, designed to keep your UTV performing at its peak.
- Shear stable, hypoid gear lube.
- Includes a premium additive system to combat wear, oxidation, rust & corrosion.

**Available from your local Exmark dealer. Find your closest dealer at [exmark.com](http://exmark.com)**

## EXMARK ACCESSORIES AND OPTIONS\*

### MID-MOUNT RIDING ACCESSORIES AND OPTIONS

|                                    |                                 |
|------------------------------------|---------------------------------|
| CUSTOM RIDE SEAT SUSPENSION SYSTEM | OPERATOR CONTROLLED DISCHARGE   |
| FULL SUSPENSION SEAT               | SUN SHADE                       |
| DECK LIFT ASSIST KIT               | TRASH CONTAINER                 |
| HITCH KIT                          | TURF STRIPER                    |
| LIGHT KIT                          | ULTRA VAC COLLECTION SYSTEM     |
| 12V POWER PORT                     | ULTRA VAC QUICK DISPOSAL SYSTEM |
| MICRO-MULCH SYSTEM                 |                                 |

### OUT-FRONT RIDING ACCESSORIES AND OPTIONS

|                                    |                                 |
|------------------------------------|---------------------------------|
| CUSTOM RIDE SEAT SUSPENSION SYSTEM | SNOW BLADE                      |
| DUAL-TAIL WHEEL                    | SNOWBLOWER                      |
| FLOOR PAN EXTENDER                 | SUN SHADE                       |
| HITCH KIT                          | TRASH CONTAINER                 |
| LIGHT KIT                          | ULTRA VAC COLLECTION SYSTEM     |
| MICRO-MULCH SYSTEM                 | ULTRA VAC QUICK DISPOSAL SYSTEM |
| ROLL OVER PROTECTION SYSTEM (ROPS) | WEATHER CAB                     |

### WALK-BEHIND ACCESSORIES AND OPTIONS

|                    |              |
|--------------------|--------------|
| GRASS CATCHER      | TURF STRIPER |
| MICRO-MULCH SYSTEM | STANDON      |

\*Some accessories and options not available for some models.

Place Model No. and Serial No.  
Label Here (Included in the Literature  
Pack) or Fill in Below

Model No. \_\_\_\_\_

Serial No. \_\_\_\_\_

Date Purchased \_\_\_\_\_

Engine Model No. and Spec. No. \_\_\_\_\_

Engine Serial No. (E/No) \_\_\_\_\_

© 2018 Exmark Mfg. Co., Inc.  
2101 Ashland Ave  
Beatrice, NE 68310  
All Rights Reserved

Part No. 4503-468 Rev. A  
(402) 223-6375  
Fax (402) 223-5489  
Printed in the USA.

