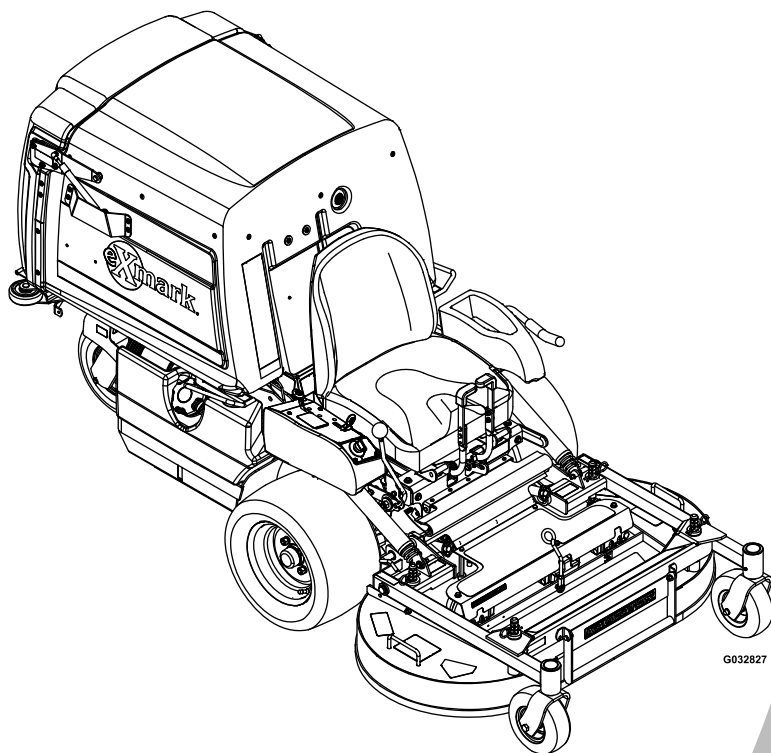




# NAVIGATOR®

Model No. NVS740CKC42000—Serial No. 40000000 and Up

Picture below may not reflect actual product.



# Parts Manual

Part No. 4503-262 Rev. A

# Ordering Replacement Parts

To order replacement parts, please supply the part number, the quantity, and the description of each part desired.

## Understanding Reference Numbers

Each identified part in an illustration has a reference number. The reference number for a part also appears in the parts list, along with other information about the part.

This catalog uses two special reference number formats, one to indicate parts in a service assembly and another to indicate the quantity of a given part in an illustration.

## Service Assembly Reference Numbers

Parts in service assemblies have reference numbers in the form a:b. The a represents the reference number of the entire service assembly and the b represents a sequential number unique to each part within the service assembly.

For example, a wheel assembly might be identified by reference number 6, the tire by 6:1, the valve by 6:2, and the wheel by 6:3. When you order the assembly identified by reference number 6, you receive all parts identified by reference numbers 6:1, 6:2, and 6:3. However, you may also order any part individually. Reference numbers of this type appear in illustration and in parts lists.

## Reference Numbers Indicating Quantity

In an illustration, if a reference number indicates more than one part, the reference number has the form nX y. The n represents the quantity of the part, the X is the multiplication symbol, and the y represents the reference number.

For example, in an illustration, the reference number 2X 37 means that two of the parts identified by reference number 37 are indicated.

# Touch Up Paint

Exmark black touch up spray paint – gloss black.

Exmark red touch up paint (spray paint – P/N 1-850337 - .6 oz liquid bottle – P/N 103-9140).

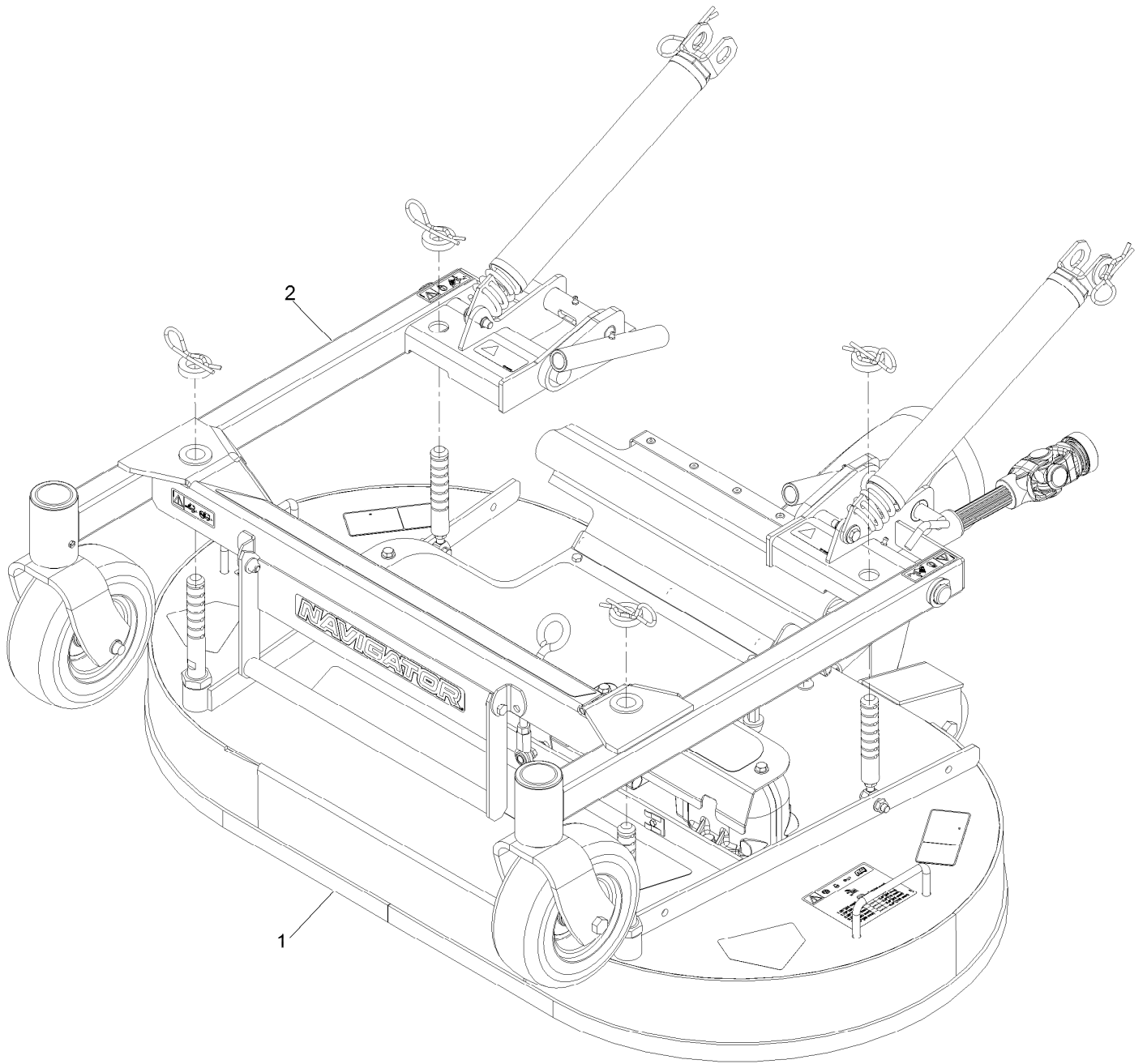


If your Exmark dealer does not have the Exmark part in stock, Exmark will get the parts to the dealer the next business day or the part will be FREE Guaranteed!! (Some restrictions apply. See your participating Exmark Dealer for details.)

## Contents

Complete Deck and Support Frame Assembly .....	4
Deck Assembly .....	6
Deck Decal Assembly No. 109-4373 .....	8
Discharge Tube Assembly No. 103-9487 .....	10
Gearbox Assembly No. 103-3460 .....	12
Rear Deck Height Adjustment Assembly No. 109-0322 .....	14
Deck Support Frame Assembly .....	16
Deck Support W/Decals Assembly No. 103-9481 .....	18
Spring Lift Assist Assembly No. 116-7850 .....	20
Seat Assembly .....	22
Main Frame Assembly .....	24
Frame and Decal Assembly No. 116-7482 .....	26
Speed Control Assembly .....	28
Parking Brake Assembly .....	30
Hydraulic Assembly .....	32
Blower Mounting Assembly .....	34
Blower Assembly No. 116-9649 .....	36
Drive Assembly .....	38
Engine Assembly .....	40
Fuel Tank Assembly .....	42
Hydraulic Pump Assembly No. 116-7836 .....	44
Hopper Assembly .....	46
Idler Assembly No. 103-7349 .....	48
Hopper Assembly No. 103-9457 .....	50
Hopper Screen Assembly No. 109-0717 .....	52
Hopper Door Assembly No. 103-9456 .....	54
Hopper Frame Assembly No. 109-4086 .....	56
Hopper Switch Actuator Assembly No. 103-8528 .....	58
Fill Sensor Assembly No. 103-9466 .....	60
Electrical Assembly .....	62

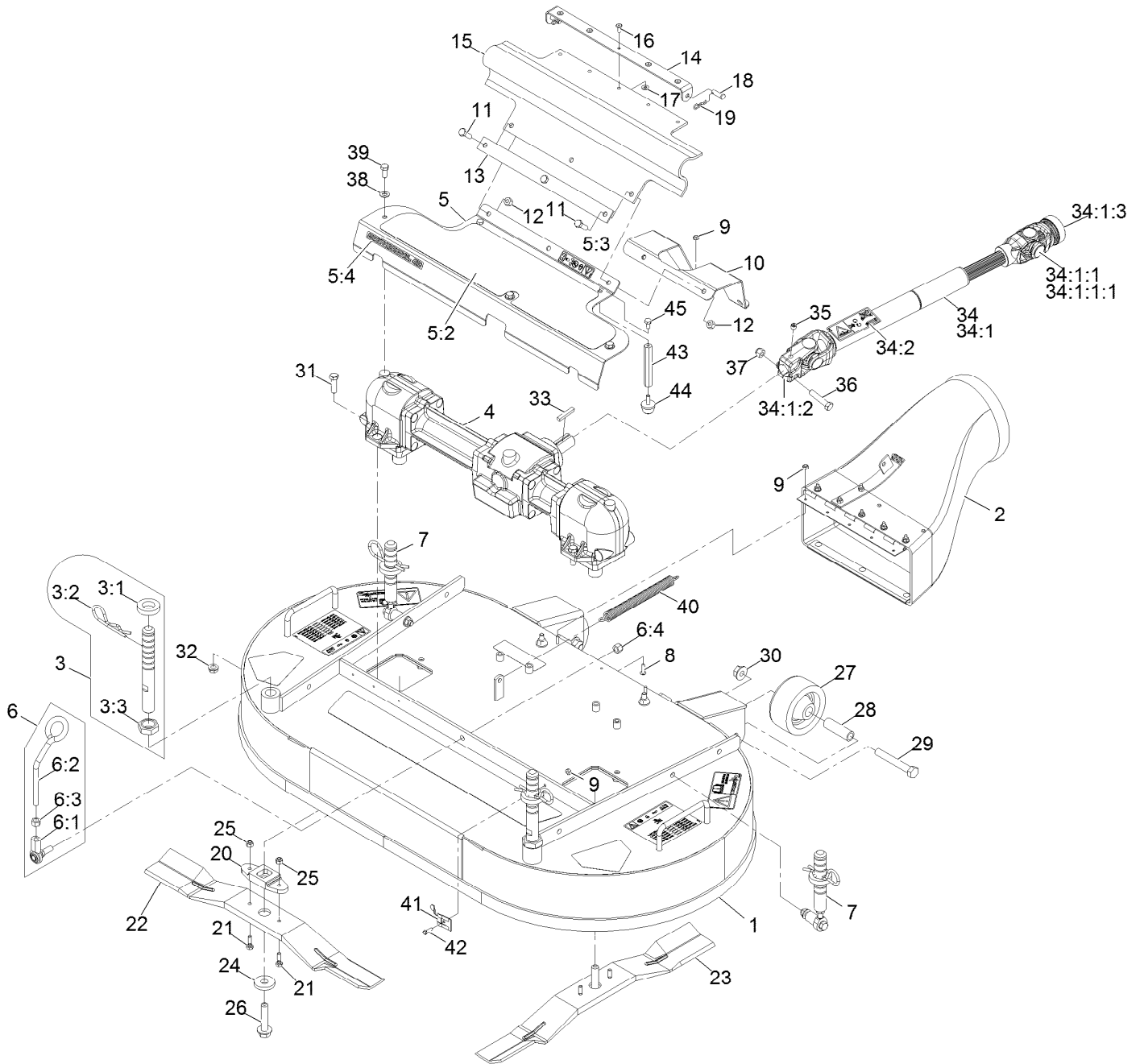
# Complete Deck and Support Frame Assembly



# Complete Deck and Support Frame Assembly (continued)

<i>Ref.</i>	<i>Part Number</i>	<i>Qty.</i>	<i>Description</i>
1	116-7832	1	Deck ASM
2	116-7840	1	Deck Support Frame ASM

# Deck Assembly

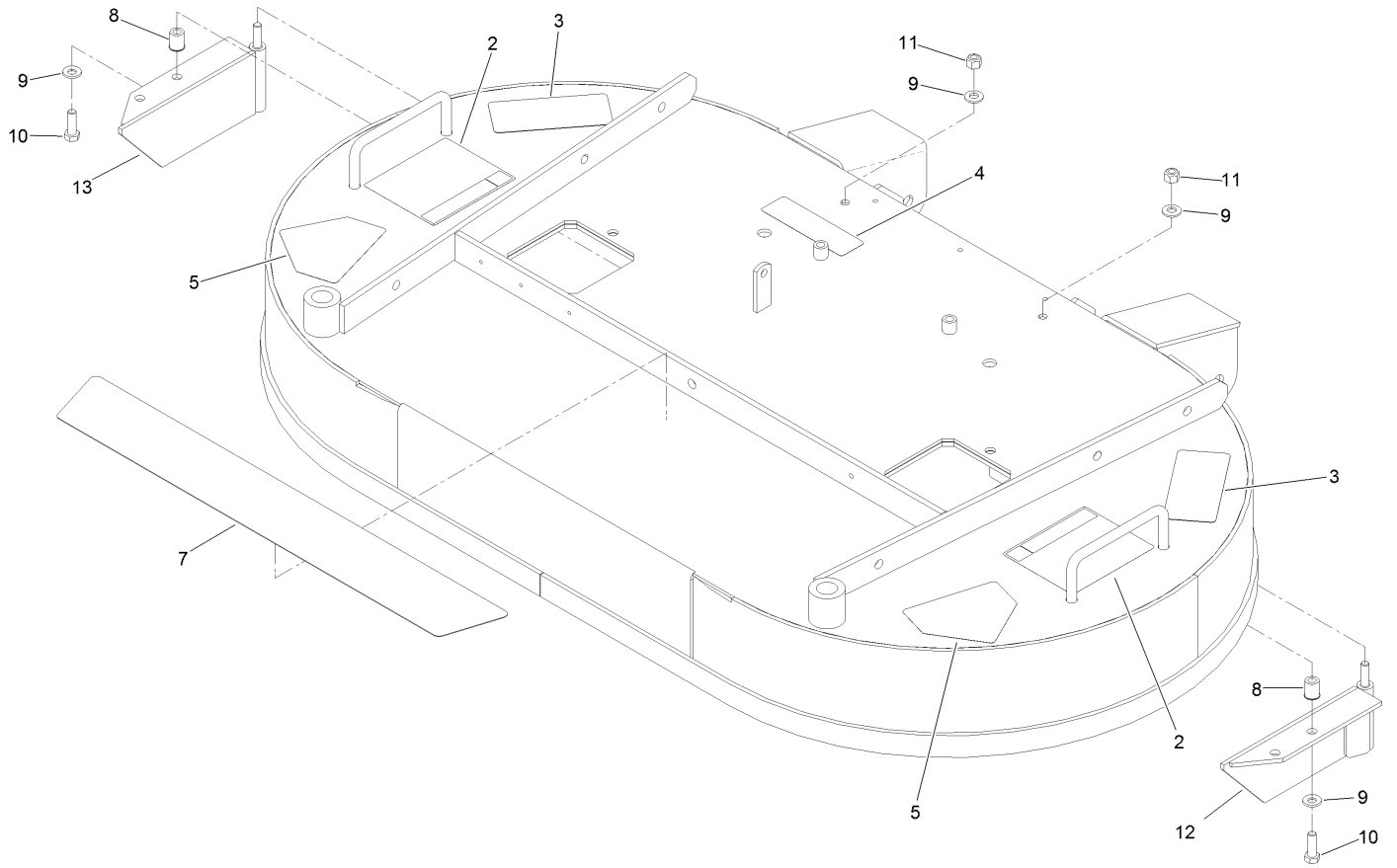


## Deck Assembly (continued)

<i>Ref.</i>	<i>Part Number</i>	<i>Qty.</i>	<i>Description</i>	<i>Ref.</i>	<i>Part Number</i>	<i>Qty.</i>	<i>Description</i>
1	109-4373	1	Deck ASM	21	99-0283	4	Bolt-Shear 1/4-20 X 7/8
2	103-9487	1	Discharge Tube ASM	22	103-4210	1	Blade, RH (42") Red
3	109-0321	2	Front Deck Height Adjust ASM	23	103-4209	1	Blade, LH (42") Black
3:1	1-413425	1	Spacer-Deck Support	24	30-8770	2	Washer
3:2	103-7353	1	Pin-Cut Height	25	3296-42	4	Nut-Nyloc 1/4-20
3:3	103-8496	1	Nut-Jam 7/8-9	26	92-5816	2	Bolt-Blade 1/2-20 X 2 1/4
4	103-3460	1	Gearbox ASM	27	103-3700	2	Roller-Deck
5	103-9497	1	Asm, Gearbox Cover W/Decal (42")	28	103-4230	2	Spacer-Roller
5:2	103-8626	1	Pad-Anti Skid	29	325-14	2	Screw-HH 1/2-13 X 3 1/2
5:3	119-0217	1	Decal-Danger	30	32128-49	2	Nut-Whizlock 1/2-13
5:4	126-7280	1	Decal-Commercial 42	31	323-7	4	Screw-HH 3/8-16 X 1 1/4
6	103-8363	1	Deck Latch ASM	32	3290-357	4	Nut-Whizlock 3/8-16
6:1	103-7994	1	Balljoint	33	67-7490	1	Key-Machine 1/4 X 1/4 X 1 1/2
6:2	103-8307	1	Latch-Deck	34	103-9485	1	Drive Shaft ASM
6:3	3219-3	1	Nut-Hex 3/8-24	34:1		1	Drive Shaft-Telescoping ●
6:4	3296-6	1	Nut-Nyloc 3/8-24	34:1:1	54-9180	2	U-Joint Kit
7	109-0322	2	Rear Deck Height Adjust ASM	34:1:1:1	62-3820	1	Fitting-Grease
8	1-803075	3	Screw-Truss Head #10-24 X 3/4	34:1:2	103-9328	1	Yoke-Keyed
9	3296-2	6	Nut-Nyloc #10-24	34:1:3	103-9329	1	Yoke-Quick Disconnect
10	116-7842-01	1	Guard-Drive Shaft	34:2	116-9049	1	Decal-Danger, Driveline
11	322-5	3	Screw-HH 5/16-18 X 1	35	3247-2	1	Setscrew-3/8-16 X 3/8
12	3296-29	3	Nut-Nyloc 5/16-18	36	323-9	1	Screw-HH 3/8-16 X 1 3/4
13	103-6290-03	1	Strap-Drive, Line Cover	37	3296-39	1	Nut-Nyloc 3/8-16
14	103-6183-03	1	Bracket-Guard, PTO	38	3256-23	3	Washer-5/16 Sae
15	103-5979	1	Guard-PTO	39	322-3	3	Screw-HH 5/16-18 X 3/4
16	114439	5	Rivet	40	103-8841	1	Spring-Extension
17	3256-14	5	Washer-#10 Std	41	1-513690	1	Clip-Deck, Hold Up Rod
18	1-808280	2	Pin-Clevis 5/16 X 1 49/64	42	3290-134	1	Screw-HH Machine 10-24 X 5/8
19	1-806003	2	Hairpin-Cotter	43	103-8610	2	Stand-Off
20	103-7705	2	Driver-Blade	44	1-523420	2	Bumper
				45	321-2	2	Screw-HH 1/4-20 X 1/2

● Not serviced separately

# Deck Decal Assembly No. 109-4373

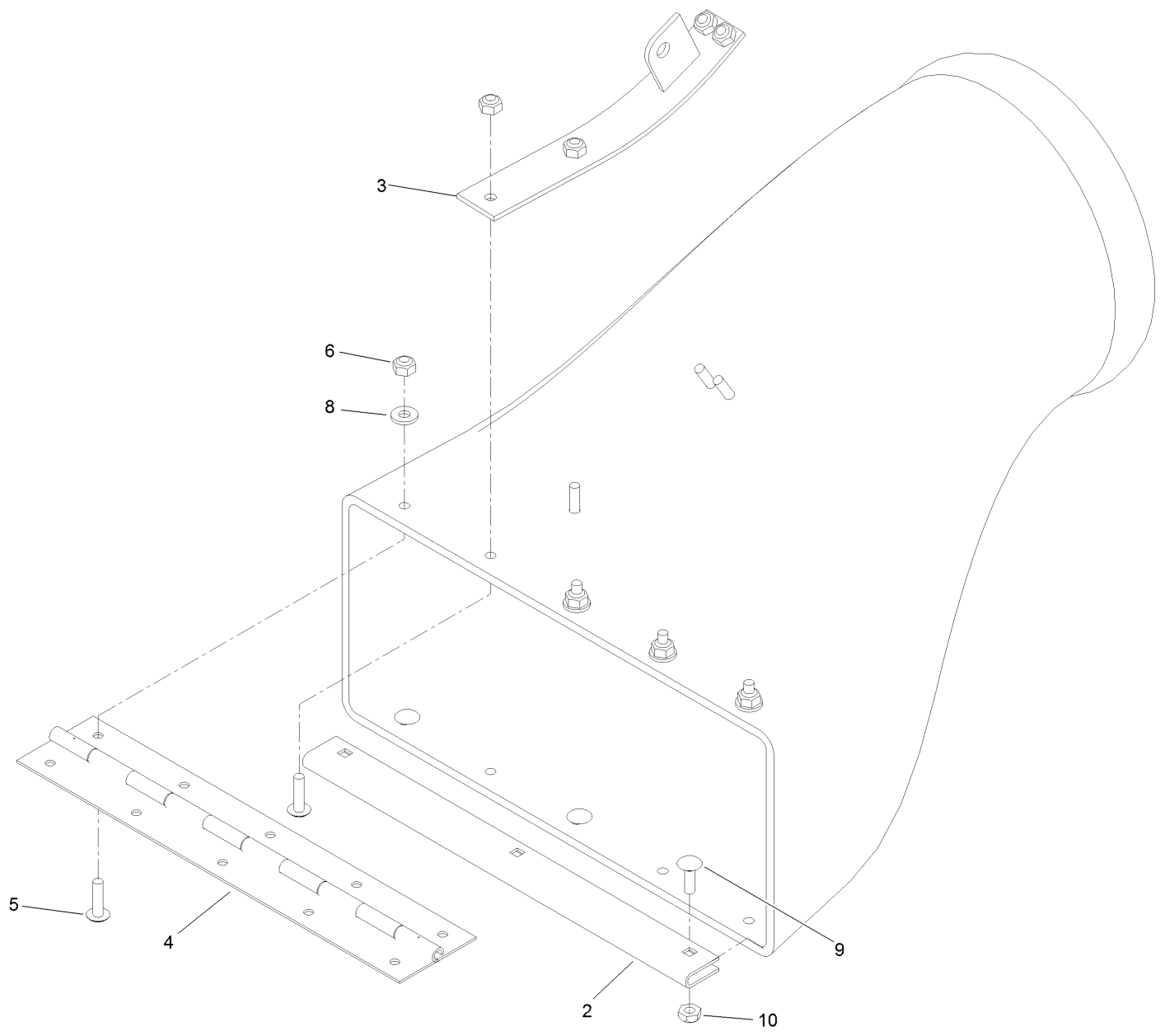




## Deck Decal Assembly No. 109-4373 (continued)

<i>Ref.</i>	<i>Part Number</i>	<i>Qty.</i>	<i>Description</i>	<i>Ref.</i>	<i>Part Number</i>	<i>Qty.</i>	<i>Description</i>
2	116-8934	2	Decal-Height Adjust, Cutting	9	1-303334	4	Washer-Spring
3	93-7818	2	Decal-Torque, Blade Bolt	10	322-5	2	Screw-HH
4	112-9028	1	Decal-Missing, Cover	11	3296-29	2	Nut-Lock, NI
5	112-8760	2	Decal-Danger	12	109-4053-01	1	Baffle-LH
7	103-8667	1	Pad-Anti Skid	13	109-4054-01	1	Baffle-RH
8	32148-7	4	Nut-Insert				

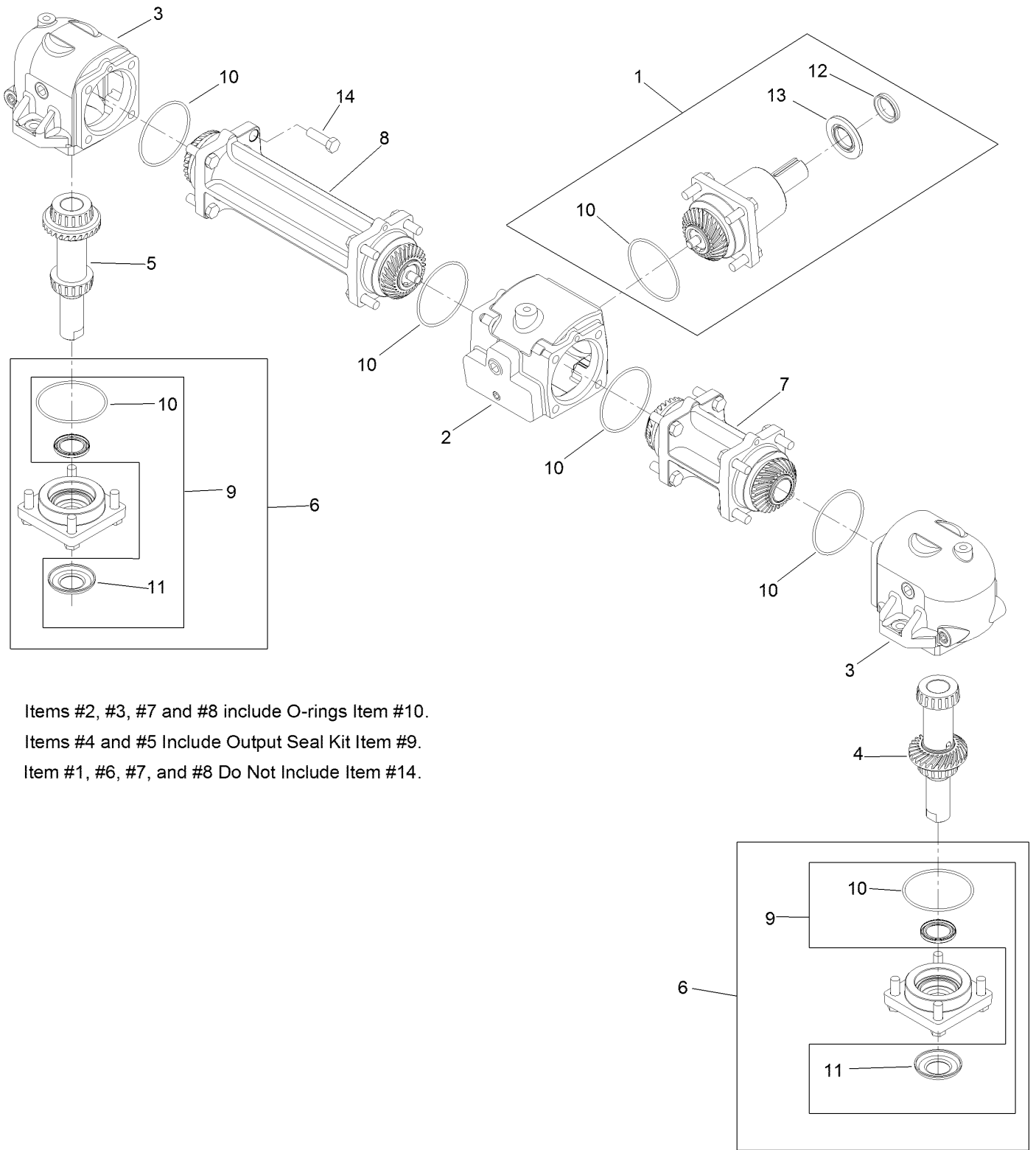
# Discharge Tube Assembly No. 103-9487



## Discharge Tube Assembly No. 103-9487 (continued)

<i>Ref.</i>	<i>Part Number</i>	<i>Qty.</i>	<i>Description</i>	<i>Ref.</i>	<i>Part Number</i>	<i>Qty.</i>	<i>Description</i>
2	109-2228-03	1	Guard-Plenum	6	3296-2	8	Nut-Lock, NI
3	103-5868-01	1	Mount-Spring	8	3256-14	4	Washer-Flat
4	103-4974	1	Hinge-Piano	9	1-807533	3	Bolt-CARR
5	1-803075	8	Screw-Head, Truss	10	3296-12	3	Nut-Lock, NI

# Gearbox Assembly No. 103-3460



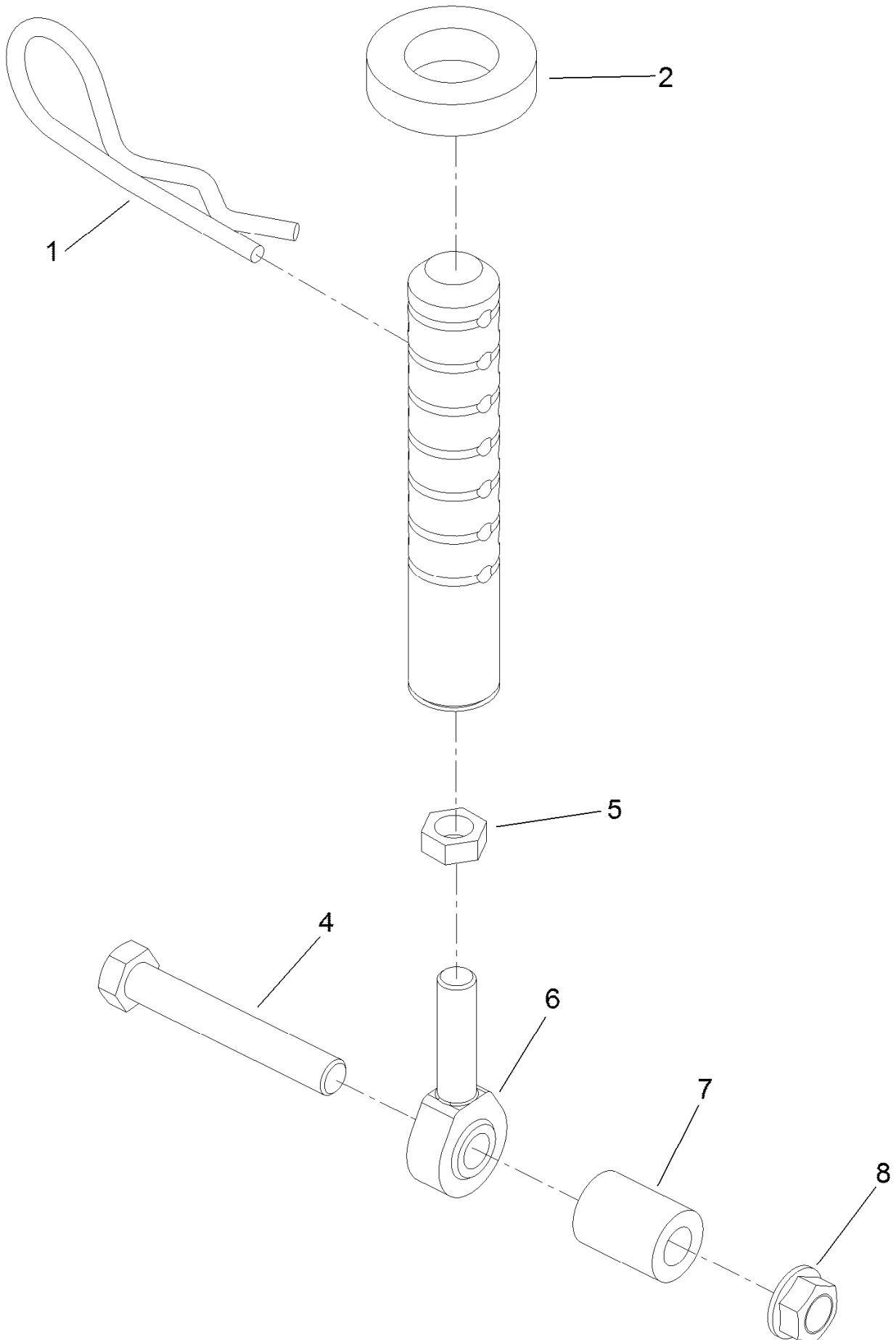
Items #2, #3, #7 and #8 include O-rings Item #10.  
 Items #4 and #5 Include Output Seal Kit Item #9.  
 Item #1, #6, #7, and #8 Do Not Include Item #14.

## Gearbox Assembly No. 103-3460 (continued)

<i>Ref.</i>	<i>Part Number</i>	<i>Qty.</i>	<i>Description</i>	<i>Ref.</i>	<i>Part Number</i>	<i>Qty.</i>	<i>Description</i>
1	109-0188	1	Input Pinion ASM	7	109-0197	1	Tube-Connector, Short
2	109-0190	1	Housing-Center	8	109-0199	1	Tube-Connector, Long
3	109-0191	1	Housing-End	9	109-0201	1	Output Seal Kit
4	109-0192	1	LH Output Shaft And Gear ASM	10	109-0203	1	Seal-O-Ring
5	109-0194	1	RH Output Shaft And Gear ASM	11	109-0204	1	Washer-Cupped
6	109-0196	1	Cap-Output	12	109-0205	1	Seal-V-Ring ●
				13	109-0202	1	Seal-Input ●
				14	93-3987	28	Bolt-Blade

● Apply bead of Mobil HTS grease (P/N 103-5217 1.5 oz packet) (or a food-grade anti-seize) between input seal and v-ring.

# Rear Deck Height Adjustment Assembly No. 109-0322

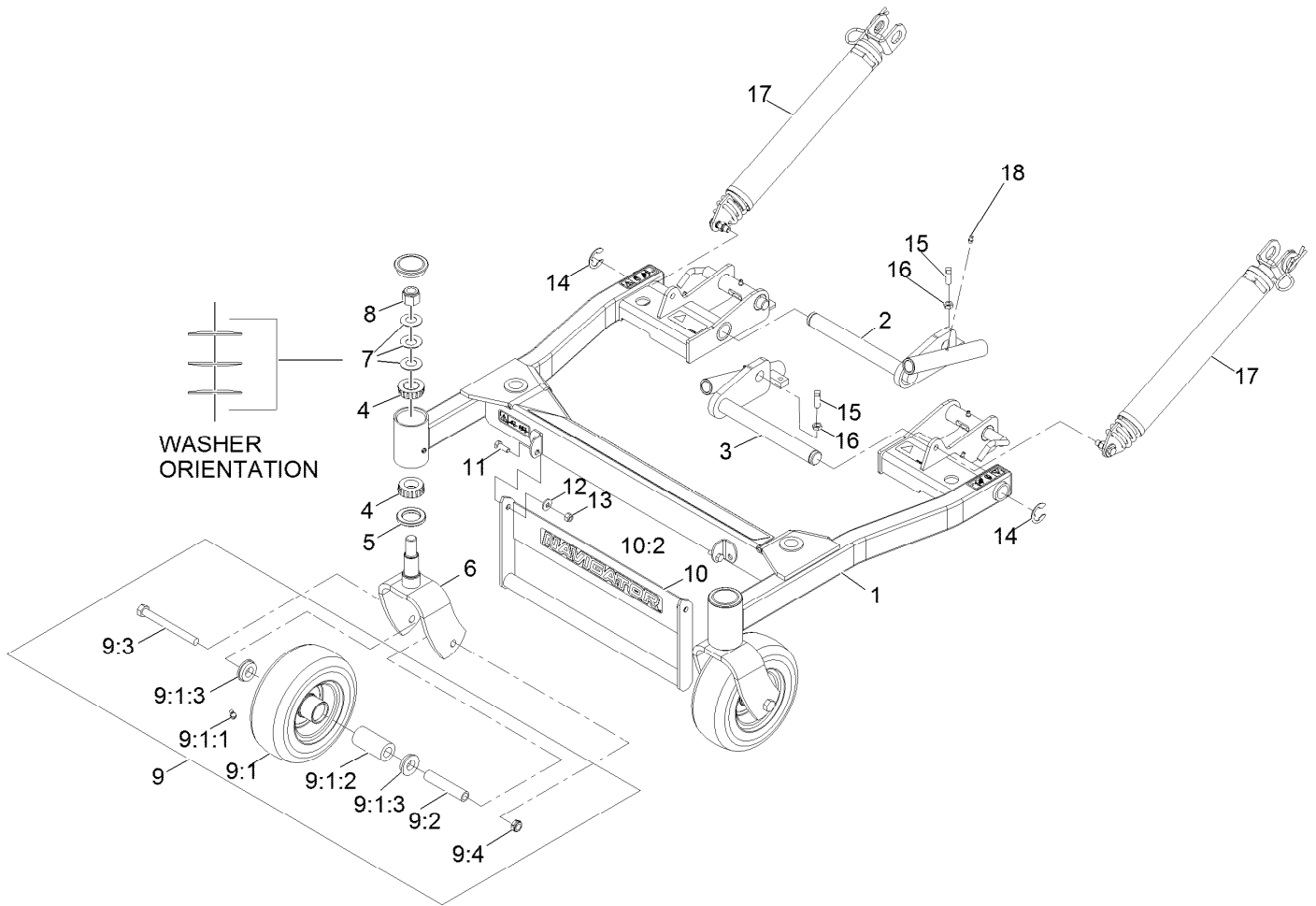


# Rear Deck Height Adjustment

## Assembly No. 109-0322 (continued)

<i>Ref.</i>	<i>Part Number</i>	<i>Qty.</i>	<i>Description</i>	<i>Ref.</i>	<i>Part Number</i>	<i>Qty.</i>	<i>Description</i>
1	103-7353	1	Pin-Cut Height	6	1-613204	1	Balljoint
2	1-413425	1	Spacer-Deck Support	7	106-5620	1	Tube-Interlock
4	323-11	1	Screw-HH	8	3290-357	1	Nut-HHF, Whiz
5	3220-3	1	Nut-HJ				

# Deck Support Frame Assembly

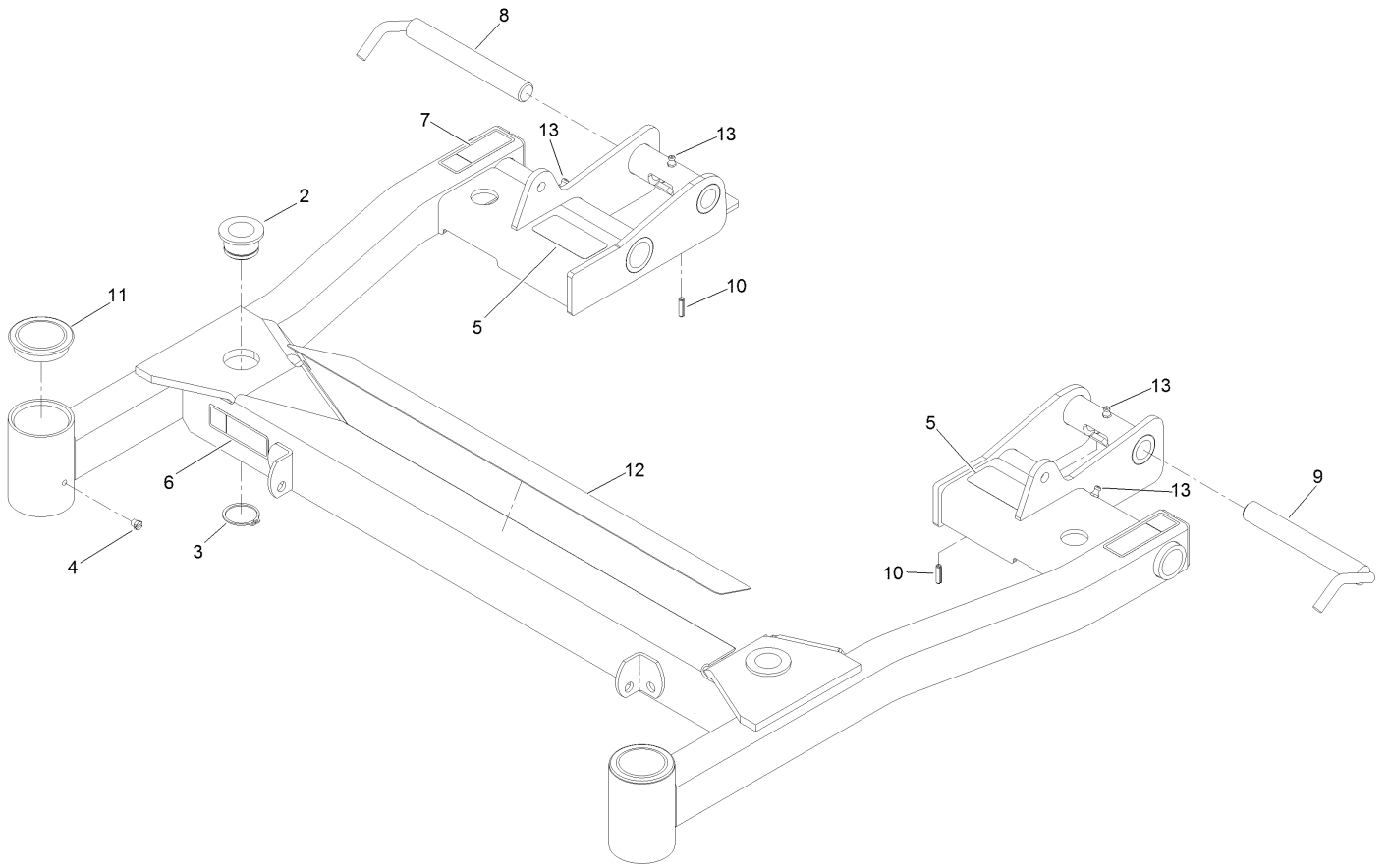




## Deck Support Frame Assembly (continued)

<i>Ref.</i>	<i>Part Number</i>	<i>Qty.</i>	<i>Description</i>	<i>Ref.</i>	<i>Part Number</i>	<i>Qty.</i>	<i>Description</i>
1	103-9481	1	Deck Support ASM	9:2	109-2094	1	Spacer-Caster, Front
2	103-3729-01	1	Pivot-Deck, RH	9:3	325-19	1	Screw-HH 1/2-13 X 5
3	103-3732-01	1	Pivot-Deck, LH	9:4	3296-45	1	Nut-Nyloc 1/2-13 Thin
4	1-543509	4	Cone-Bearing Tapered Roller	10	103-9482	1	Asm, Deck Lift Handle W/Decal
5	1-543511	2	Seal-Grease	10:2	126-7199	1	Decal-Navigator Logo
6	109-1933-01	2	Fork-Caster	11	322-4	2	Screw-HH 5/16-18 X 7/8
7	1-633508	6	Washer-Spring Disc	12	1-303334	2	Washer-Spring Disc 5/16
8	3296-51	2	Nut-Nyloc 3/4-10	13	3296-29	2	Nut-Nyloc 5/16-18
9	103-9495	2	Asm, Caster Wheel W/Axle	14	1-808519	2	Ring-Snap
9:1	103-4324	1	Asm, Wheel And Tire 8X3.00-4 Sp	15	3243-5	2	Setscrew-SQH 3/8-16 X 1
9:1:1	302-61	1	Zerk-45° 1/4-28	16	3218-3	2	Nut-Jam 3/8-16
9:1:2	103-4588	1	Bearing-Roller, Straight	17	116-7850	2	Lift Assist Spring ASM
9:1:3	1-513810	2	Bushing-Flanged	18	302-19	2	Zerk-1/4-28 Str

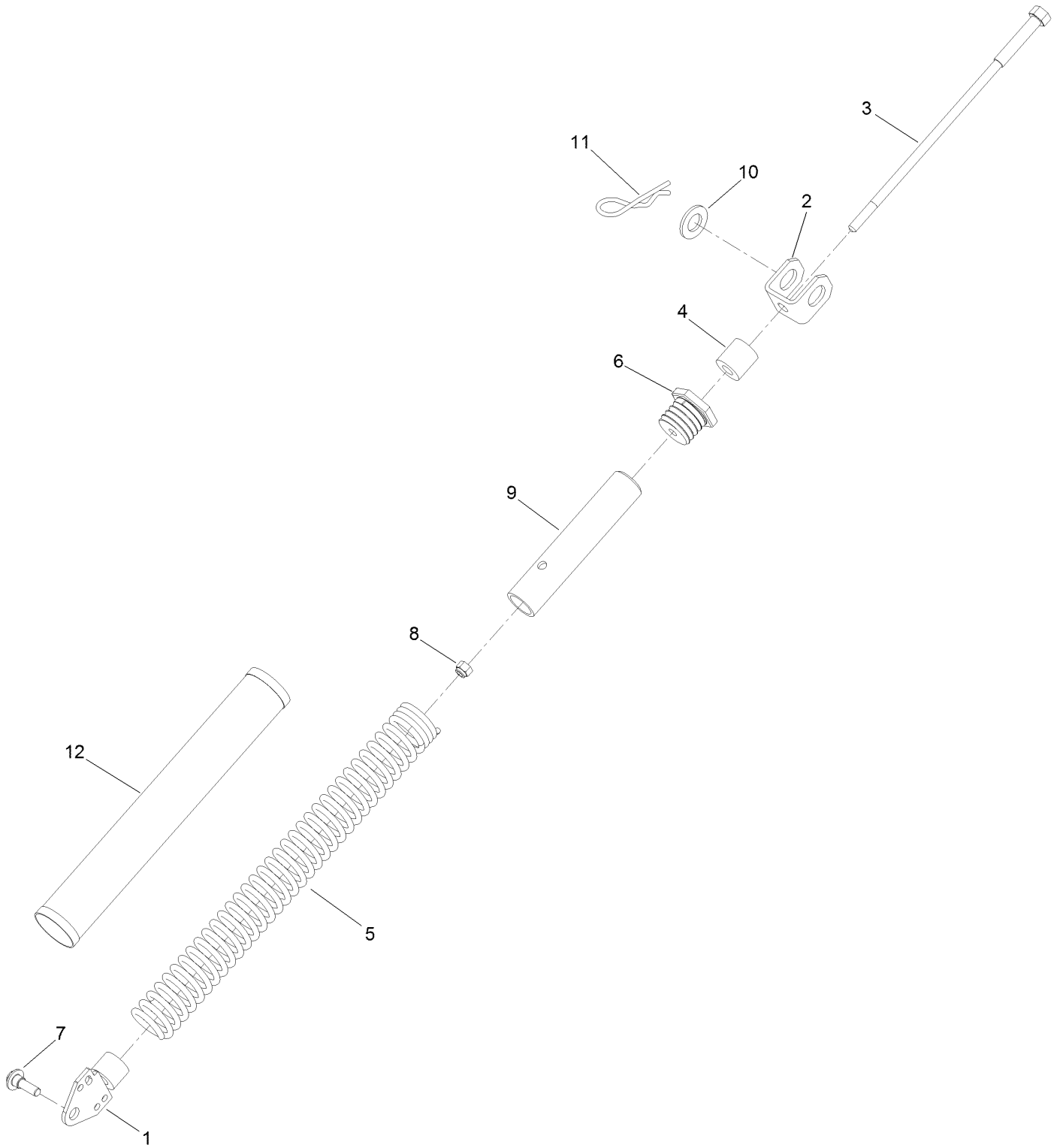
# Deck Support W/Decals Assembly No. 103-9481



# Deck Support W/Decals Assembly No. 103-9481 (continued)

<i>Ref.</i>	<i>Part Number</i>	<i>Qty.</i>	<i>Description</i>	<i>Ref.</i>	<i>Part Number</i>	<i>Qty.</i>	<i>Description</i>
2	103-7436	2	Bushing-Support, Deck	8	103-4119	1	Lock-Deck, RH
3	32120-33	2	Ring-Retaining	9	103-4118	1	Lock-Deck, LH
4	1-811010	2	Plug	10	32121-3	2	Pin-Spring
5	93-6696	2	Decal-Warning	11	103-4882	2	Cap-Grease
6	116-8936	1	Decal-Danger	12	103-8667	1	Pad-Anti Skid
7	116-8935	2	Decal-Warning, Folding Deck	13	302-19	4	Fitting-Grease

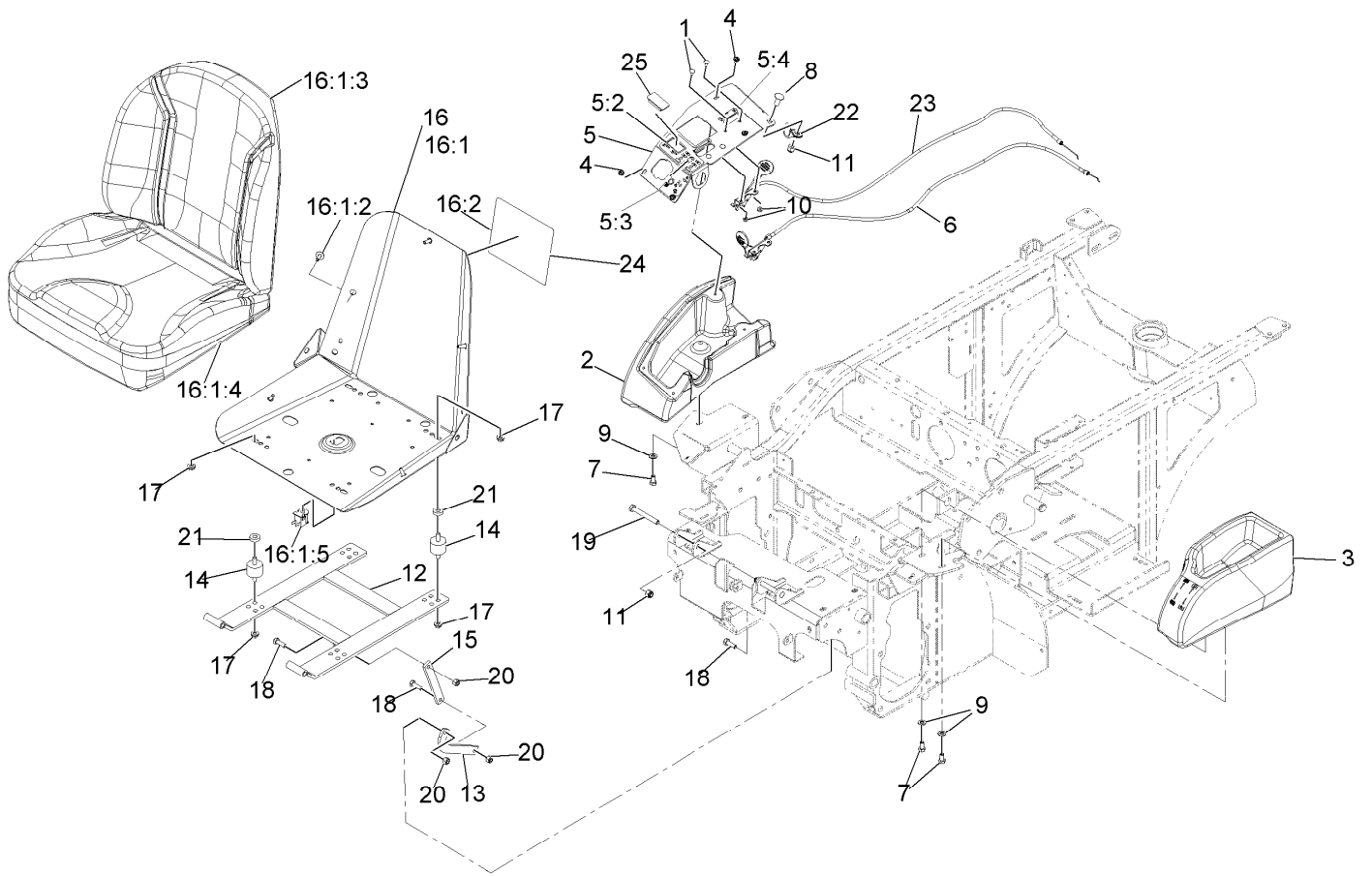
# Spring Lift Assist Assembly No. 116-7850



# Spring Lift Assist Assembly No. 116-7850 (continued)

<i>Ref.</i>	<i>Part Number</i>	<i>Qty.</i>	<i>Description</i>	<i>Ref.</i>	<i>Part Number</i>	<i>Qty.</i>	<i>Description</i>
1	103-4284	1	Tensioner-Spring	7	614672	1	Bolt-Shoulder
2	103-4285	1	Mount-Lift Assist, Deck	8	3296-39	2	Nut-Lock, NI
3	103-3773	1	Shaft-Adjustment, Spring	9	103-7865	1	Spring-Tube
4	109-1978	1	Spacer	10	3256-28	1	Washer-Flat
5	103-4281	1	Spring-Extension	11	103-7353	1	Pin-Cut Height
6	103-3772	1	Plug-Adjuster, Spring	12	103-7971	1	Cover-Spring, Deck

# Seat Assembly

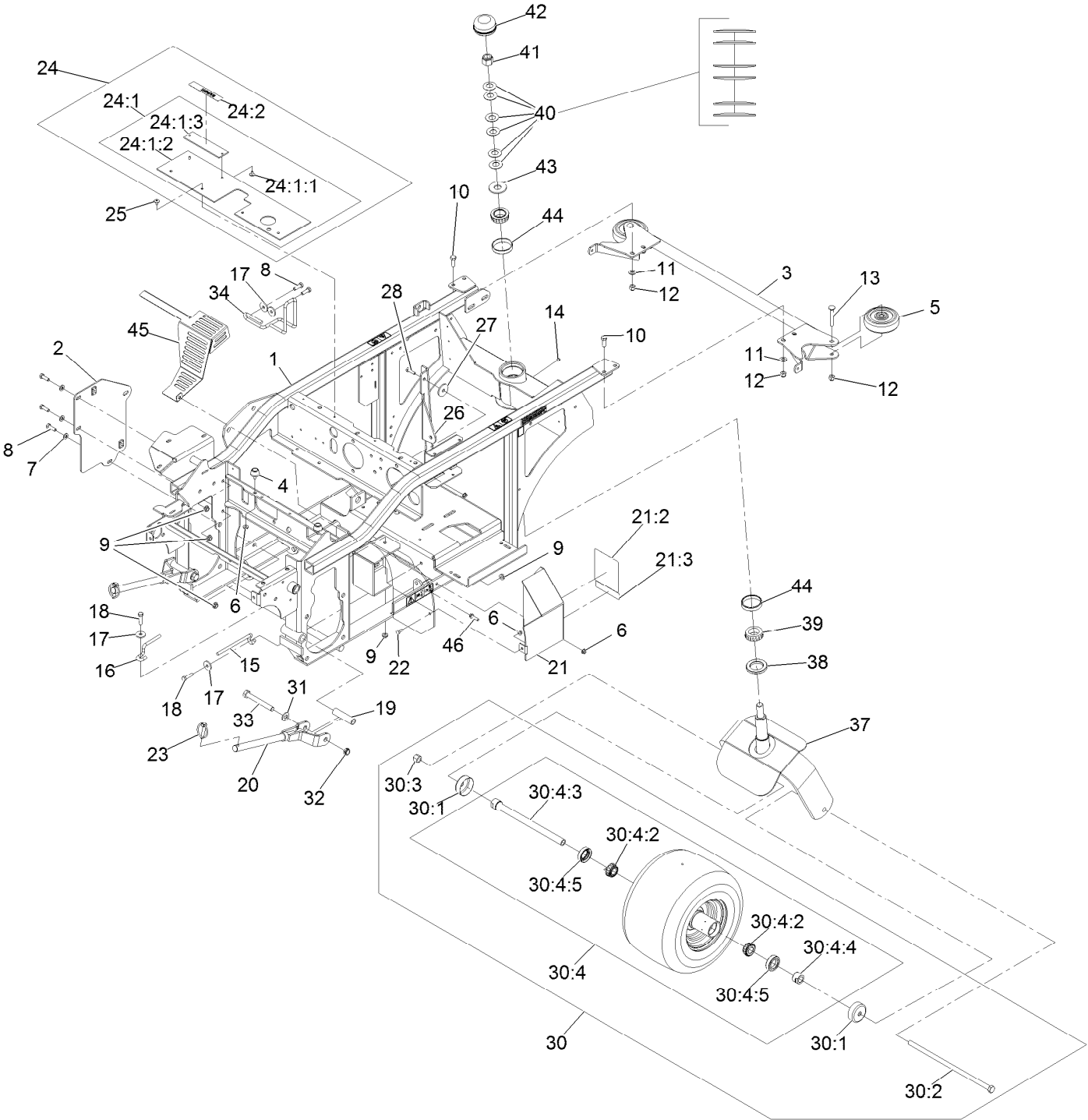


## Seat Assembly (continued)

<i>Ref.</i>	<i>Part Number</i>	<i>Qty.</i>	<i>Description</i>	<i>Ref.</i>	<i>Part Number</i>	<i>Qty.</i>	<i>Description</i>
1	1-807513	4	Bolt-Carriage #10-24 X 1/2	16	126-9643	1	ASM-Seat W/Decal
2	116-9430	1	Console-RH	16:1		1	ASM-Seat, Navigator ●
3	126-4342	1	Console, LH Grey	16:1:2	103-8383	5	Screw-HWH 1/4-20 X 3/4 Taptite
4	109-2661	4	Screw-PPH #10-24 X 1/2	16:1:3	131-4150	1	Cushion-Seat, Back
5	116-9374	1	Control Panel ASM	16:1:4	126-5900	1	Cover-Seat Bottom Svc
5:2	116-9375	1	Decal-Nav Console 640Kc	16:1:5	82-2190	1	Switch
5:3	126-7442	1	Decal-Speed Control	16:2	116-9044	1	Decal-Service Aid
5:4	116-9470	1	Decal-Choke	17	32128-20	8	Nut-Whizlock 5/16-18
6	109-4641	1	Cable-Throttle	18	322-5	3	Screw-HH 5/16-18 X 1
7	322-2	6	Screw-HH 5/16-18 X 5/8	19	323-14	2	Screw-HH 3/8-16 X 3
8	3231-27	1	Bolt-Carriage 3/8-16 X 7/8	20	3296-29	3	Nut-Nyloc 5/16-18
9	3256-23	6	Washer-5/16 Sae	21	5-0652	4	Spacer
10	3296-2	4	Nut-Nyloc #10-24	22	1-643312	1	Clip-Loom
11	3296-39	3	Nut-Nyloc 3/8-16	23	109-4640	1	Cable-Choke
12	103-4362-03	1	Frame-Seat	24	116-9044	1	Decal-Service Aid
13	116-9554	1	Link-Seat Stop	25	99-7420	1	Plug-Hole
14	103-5496	4	Mount-Vibration, Rubber				
15	103-8563	1	Link-Seat				

● Not serviced separately

# Main Frame Assembly





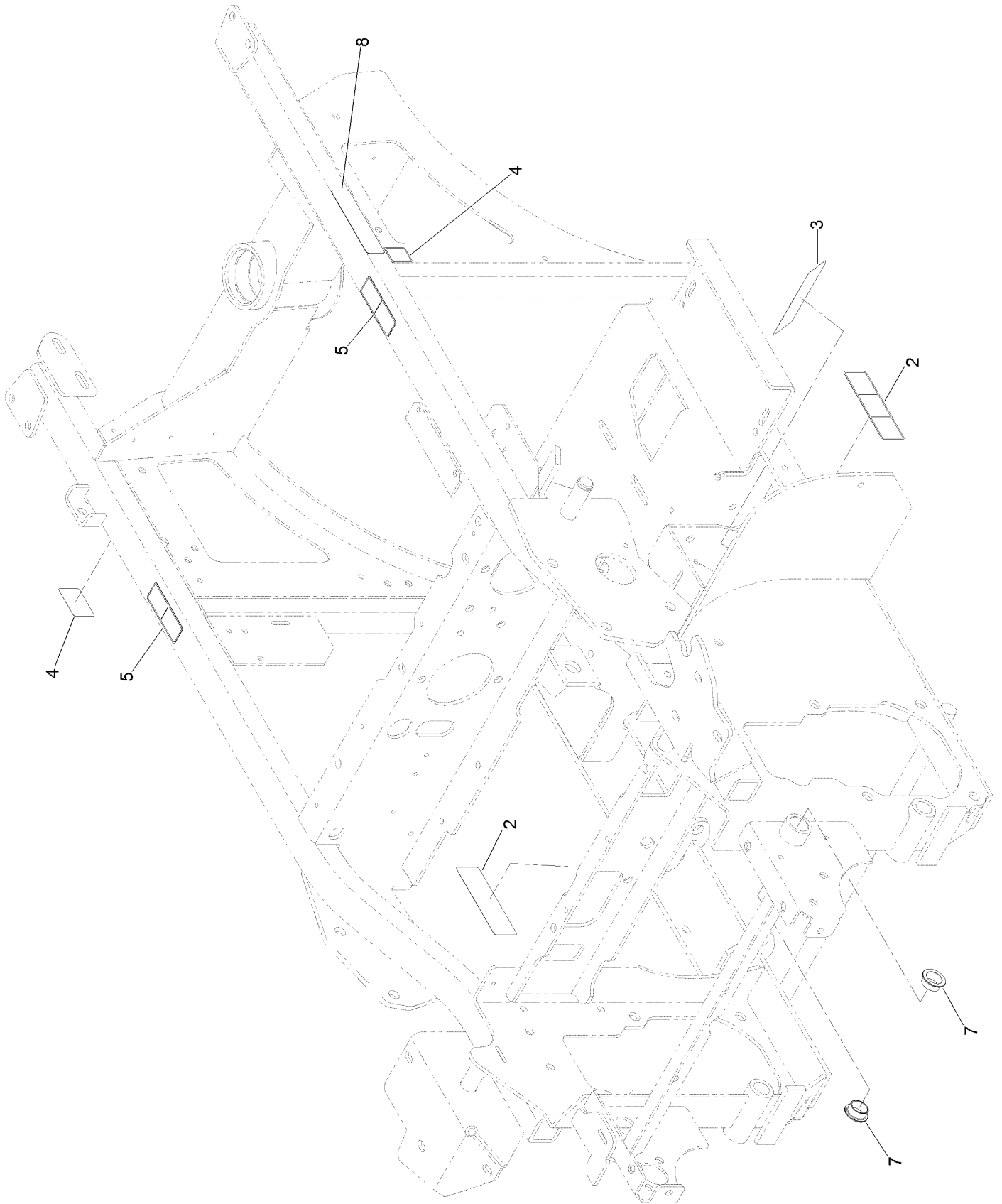
## Main Frame Assembly (continued)

<i>Ref.</i>	<i>Part Number</i>	<i>Qty.</i>	<i>Description</i>	<i>Ref.</i>	<i>Part Number</i>	<i>Qty.</i>	<i>Description</i>
1	116-7482	1	Frame ASM	25	1-803035	4	Rivet 3/16 X 1/4
2	116-7396-03	1	Plate-Support	26	109-5874-03	1	Brace-PTO
3	109-0925-03	1	Bumper-Rear	27	1-213069	1	Washer
4	109-2365	1	Bumper-Rubber	28	321-6	1	Screw-HH 1/4-20 X 1
5	103-5408	2	Roller-Bumper	30	103-9494	1	Asm, Rear Caster Wheel W/Axle
6	32128-33	5	Nut-Whizlock 1/4-20	30:1	103-2768	2	Guard-Seal
7	3256-23	3	Washer-5/16 Sae	30:2	103-7738	1	Screw-HH 1/2-13 X 13
8	322-5	5	Screw-HH 5/16-18 X 1	30:3	3296-23	1	Nut-Nyloc 1/2-13
9	32128-20	5	Nut-Whizlock 5/16-18	30:4	103-5305	1	Asm, Wheel Tire And Brg 13X8.00-6 Sp
10	323-6	4	Screw-HH 3/8-16 X 1	30:4:2	1-633585	2	Bearing-Cone Tapered Roller
11	3256-24	4	Washer-3/8 Sae	30:4:3	126-5362	1	Axle Caster ASM
12	3296-39	6	Nut-Nyloc 3/8-16	30:4:4	103-3051	1	Spacer-Nut ■
13	3231-31	2	Bolt-Carriage 3/8-16 X 2 1/2	30:4:5	103-0063	2	Seal-Double Lip
14	1-811010	1	Plug	31	3256-26	2	Washer-1/2 Sae
15	103-8333	1	Guide-Belt	32	3296-45	2	Nut-Nyloc 1/2-13 Thin
16	103-8349	1	Guide-Belt	33	325-17	2	Screw-HH 1/2-13 X 4
17	1-613235	4	Washer	34	116-8323	1	Guide-Belt
18	322-6	2	Screw-HH 5/16-18 X 1 1/4	37	103-3351-03	1	Fork-Rear Caster
19	1-633060	2	Spacer-Wheel, Short	38	103-9027	1	Seal-Grease
20	103-6596-03	2	Rod-Push	39	103-9028	2	Cone-Bearing Taper Roller
21	130-2879	1	Drive Shield ASM	40	1-633508	6	Washer-Spring Disc
21:2	116-8941	1	Decal-Belt Routing	41	3296-51	1	Nut-Nyloc 3/4-10
21:3	98-1977	1	Decal-Warning	42	126-9882	1	Cap-Grease
22	321-3	1	Screw-HH 1/4-20 X 5/8	43	3256-8	1	Washer
23	103-4155	2	Pin-Lynch	44	103-9029	2	Cup-Bearing Tapered Roller
24	103-9476	1	Lift Shield ASM	45	116-7272-03	1	Shield-Heat
24:1		1	Shield-Lift ●	46	120-4654	1	Screw-HHF
24:1:1	1-803035	2	Rivet 3/16 X 1/4				
24:1:2	103-8819	1	Flap-Guard				
24:1:3	103-9114-03	1	Plate-Decal				
24:2	98-1977	1	Decal-Warning				

● Not serviced separately

■ Use Pro-Lock, Nut Type (P/N 1-840022, .5ml tube) on threads.

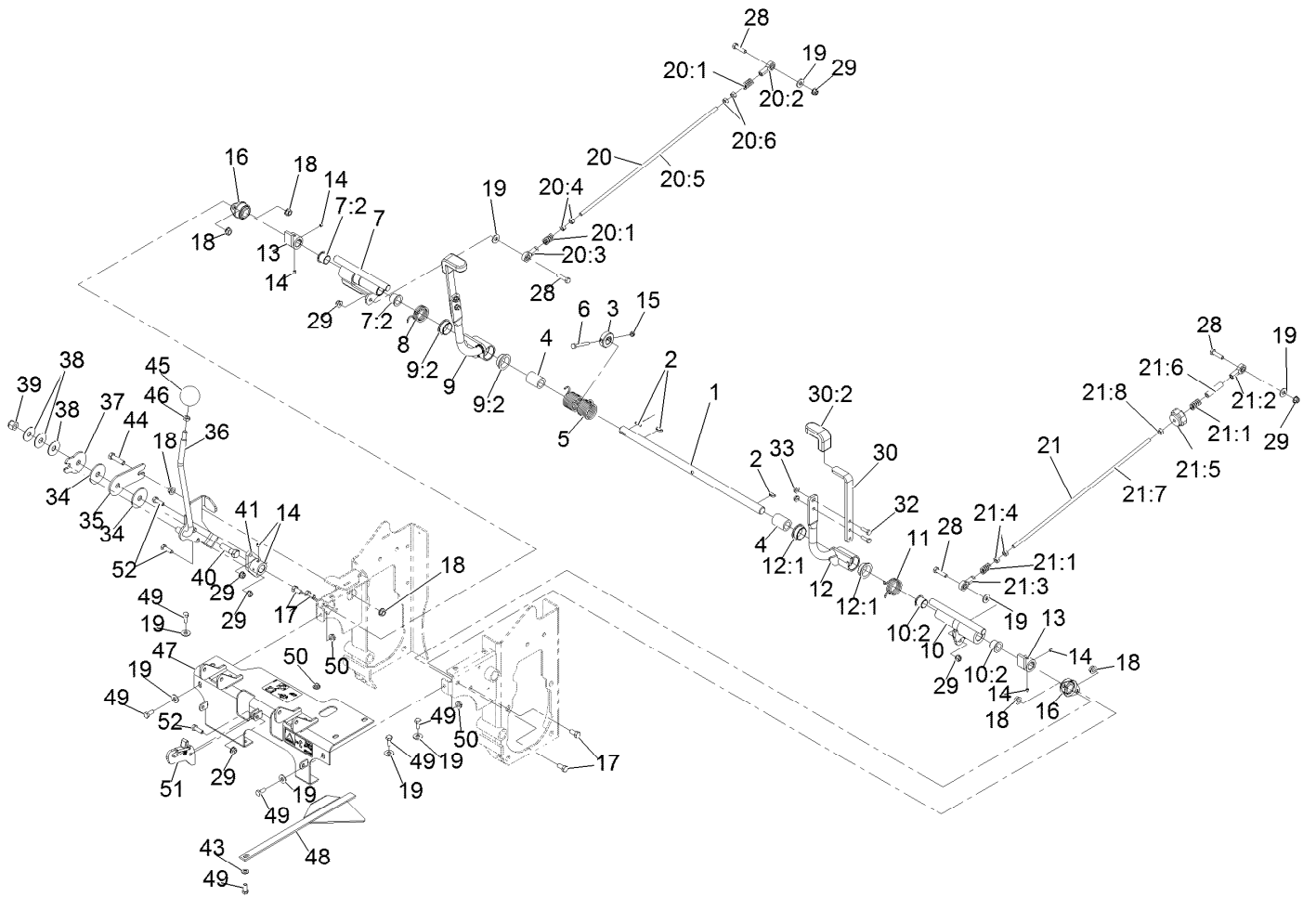
# Frame and Decal Assembly No. 116-7482



# Frame and Decal Assembly No. 116-7482 (continued)

<i>Ref.</i>	<i>Part Number</i>	<i>Qty.</i>	<i>Description</i>	<i>Ref.</i>	<i>Part Number</i>	<i>Qty.</i>	<i>Description</i>
2	112-9028	2	Decal-Missing, Cover	5	120-0625	2	Decal-Warning, Pinch Point
3	126-4207	1	Decal-Adjustment, Clutch	7	108519	2	Bushing-Bronze
4	106-5517	2	Decal-Warning	8	117-2718	1	Decal-Arrester, Spark

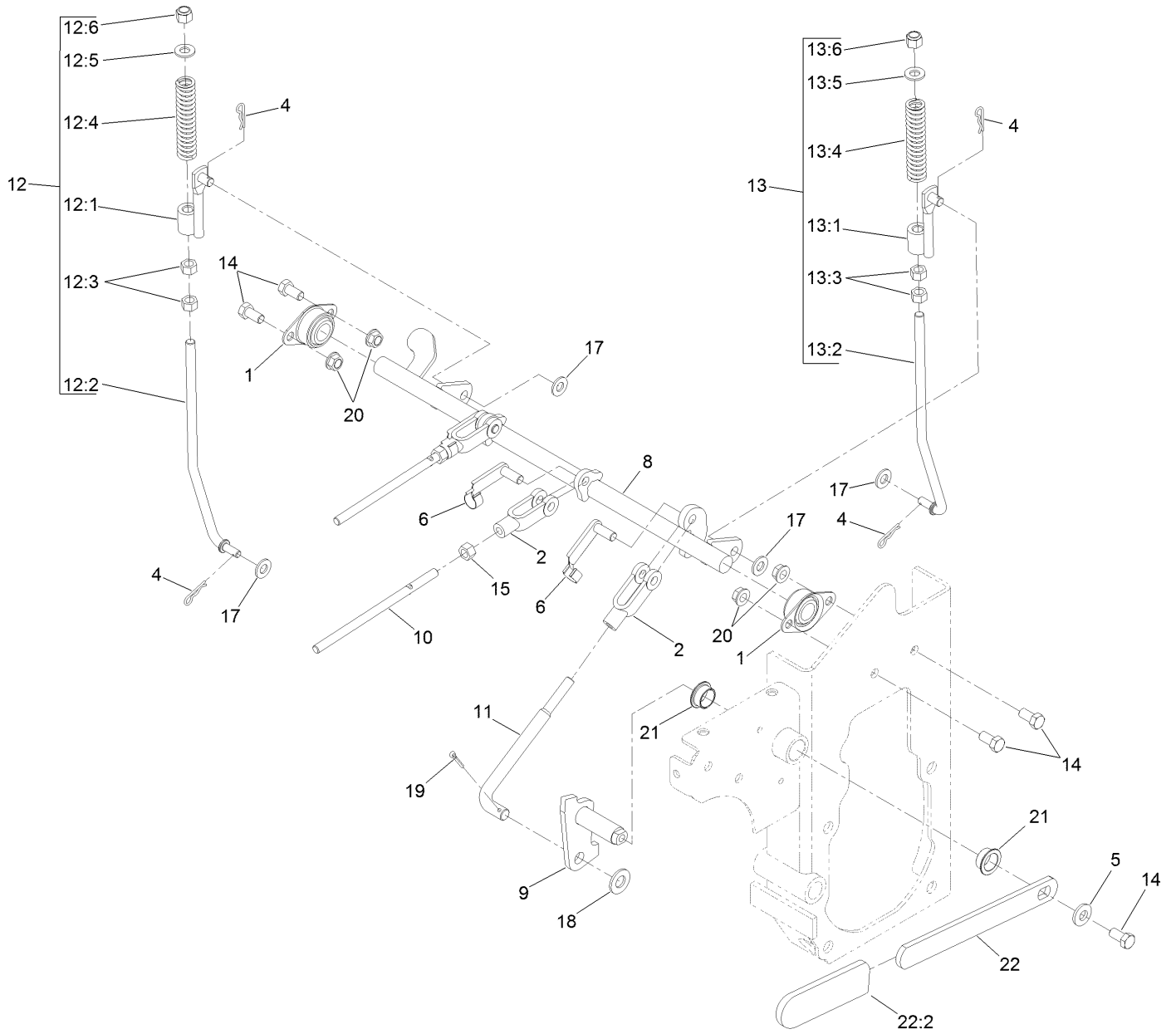
# Speed Control Assembly



## Speed Control Assembly (continued)

<i>Ref.</i>	<i>Part Number</i>	<i>Qty.</i>	<i>Description</i>	<i>Ref.</i>	<i>Part Number</i>	<i>Qty.</i>	<i>Description</i>
1	116-7856	1	Shaft-Control, Speed	21:3	1-633152	1	Balljoint
2	3257-5	3	Key-Woodruff #9 3/4 X 3/16	21:4	1-804524	2	Nut-Hex 5/16-24 (LH)
3	116-7372	1	Stop-Hub, Center	21:5	103-3060	1	Knob-Tracking
4	116-7414	2	Bushing-Plastic	21:6	103-5945	1	Spacer
5	116-8475	1	Spring-Torsion, Double	21:7	116-7492	1	Rod-Linkage, Steering
6	321-11	1	Screw-HH 1/4-20 X 2	21:8	3219-2	1	Nut-Hex 5/16-24
7	116-8444	1	RH Control Hub ASM	28	322-6	4	Screw-HH 5/16-18 X 1 1/4
7:2	103-4398	2	Bearing-Flange, Iglide	29	104-8300	7	Nut-Nyloc 5/16-18 Flg
8	116-7380	1	Spring-Torsion, RH	30	116-9246	2	Handle ASM
9	126-7461	1	RH Steering Handle ASM	30:2	103-5994	1	Grip-Handle, Steering
9:2	116-7422	2	Bearing-Flange, Iglide	32	321-5	4	Screw-HH 1/4-20 X 7/8
10	116-7416	1	LH Control Hub ASM	33	32128-33	4	Nut-Whizlock 1/4-20
10:2	103-4398	2	Bearing-Flange, Iglide	34	103-5009	2	Disc-Friction
11	116-7381	1	Spring-Torsion, LH	35	116-7846	1	Plate-Friction, Speed Control
12	126-7463	1	LH Steering Handle ASM	36	116-7845	1	Lever-Speed Control
12:1	116-7422	2	Bearing-Flange, Iglide	37	116-7849	1	Plate-Friction, Speed Control
13	103-4342	2	Hub-Speed Control	38	103-5018	3	Washer-Spring Disc
14	108-0989	6	Setscrew-1/4-20 X 1/4	39	3296-19	1	Nut-Nyloc 1/2-20
15	3296-56	1	Nut-Nyloc 1/4-20 Thin	40	116-7848	1	Screw-HH
16	1-633102	2	Bearing-Flanged	41	116-7859	1	Hub-Control, Speed
17	323-4	4	Screw-HH 3/8-16 X 3/4	43	3256-23	1	Washer-5/16 Sae
18	3290-357	6	Nut-Whizlock 3/8-16	44	323-8	1	Screw-HH 3/8-16 X 1 1/2
19	3256-3	9	Washer-5/16 Std	45	103-4397	1	Knob-Ball, Speed Control
20	116-9667	1	RH Pump Linkage ASM	46	3218-3	1	Nut-Jam 3/8-16
20:1	1-323245	2	Spring-Compression	47	116-7384	1	Console ASM
20:2	1-543017	1	Balljoint	48	103-5993-03	1	Guide-Plenum
20:3	1-633152	1	Balljoint	49	322-3	6	Screw-HH 5/16-18 X 3/4
20:4	1-804524	2	Nut-Hex 5/16-24 (LH)	50	32128-20	3	Nut-Whizlock 5/16-18
20:5	116-7492	1	Rod-Linkage, Steering	51	103-8494	1	Hook
20:6	3219-2	2	Nut-Hex 5/16-24	52	322-5	3	Screw-HH 5/16-18 X 1
21	116-9668	1	LH Pump Linkage ASM				
21:1	1-323245	2	Spring-Compression				
21:2	1-543017	1	Balljoint				

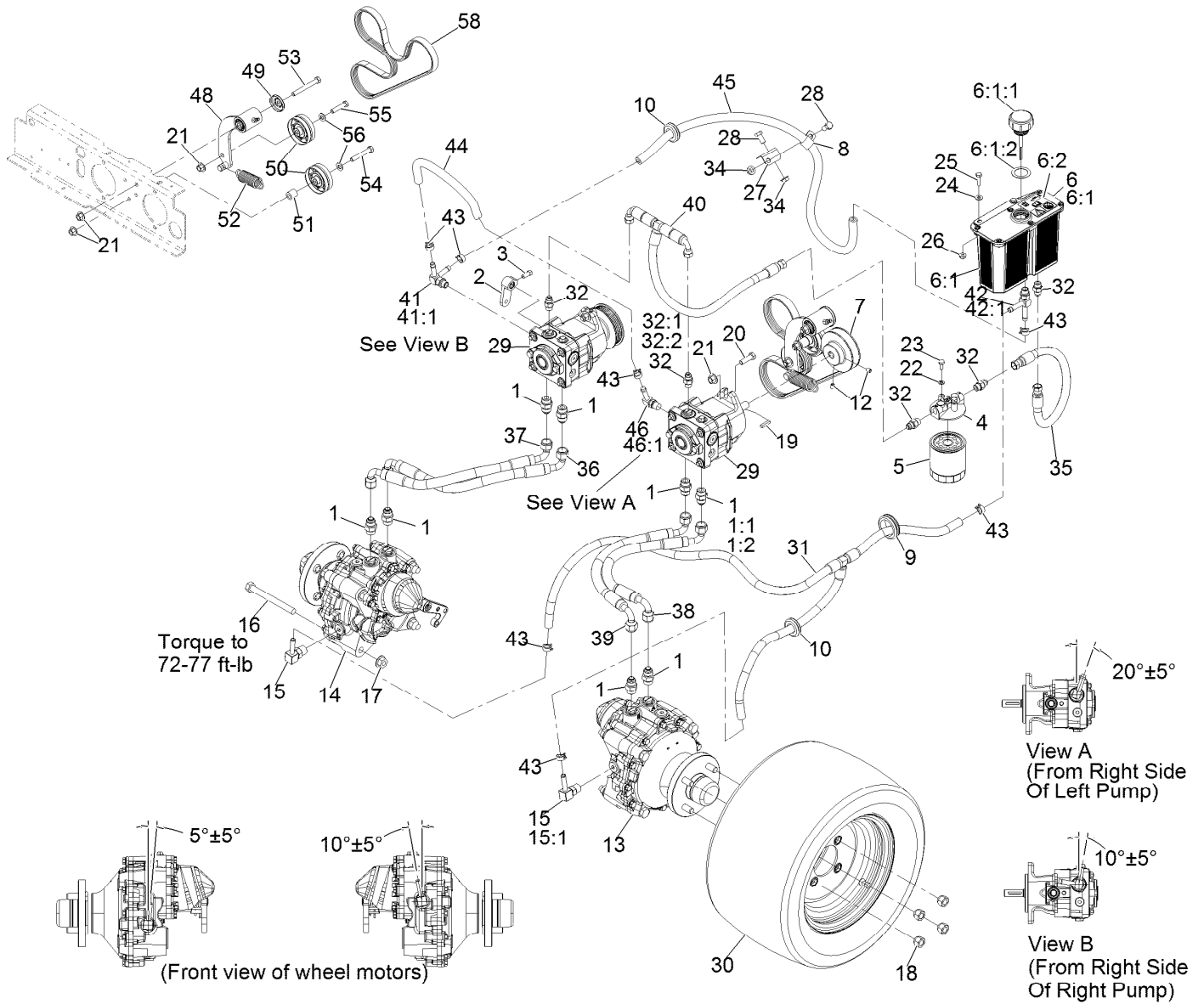
# Parking Brake Assembly



## Parking Brake Assembly (continued)

<i>Ref.</i>	<i>Part Number</i>	<i>Qty.</i>	<i>Description</i>	<i>Ref.</i>	<i>Part Number</i>	<i>Qty.</i>	<i>Description</i>
1	1-633102	2	Bearing-Flange, Side	13	116-9749	1	LH Brake Linkage ASM
2	1-633131	3	Yoke-Linkage, Brake	13:1	116-8467	1	Brake Linkage ASM
4	1-806003	4	Pin-Cotter	13:2	116-8464	1	Link-Brake, LH
5	98-5975	1	Washer-Belleville	13:3	3219-3	2	Nut-Hex
6	103-2399	3	Pin-Spring, Clevis	13:4	116-8470	1	Spring-Compression
8	116-7483-03	1	Shaft-Brake	13:5	3256-24	1	Washer-Flat
9	116-7486	1	Pivot-Brake	13:6	3296-6	1	Nut-Lock
10	116-7838	2	Rod-Linkage, Brake	14	323-4	5	Screw-HH
11	116-8474	1	Rod-Linkage, Brake	15	3219-3	2	Nut-Hex
12	116-9748	1	RH Brake Linkage ASM	17	3256-24	4	Washer-Flat
12:1	116-8467	1	Brake Linkage ASM	18	3256-26	1	Washer-Flat
12:2	116-8465	1	Link-Brake, RH	19	3272-10	1	Pin-Cotter
12:3	3219-3	2	Nut-Hex	20	3290-357	4	Nut-HHF, Whiz
12:4	116-8470	1	Spring-Compression	21	108519	2	Bushing-Bronze
12:5	3256-24	1	Washer-Flat	22	103-9469	1	Park Brake Handle ASM
12:6	3296-6	1	Nut-Lock	22:2	1-633268	1	Grip-Lever

# Hydraulic Assembly



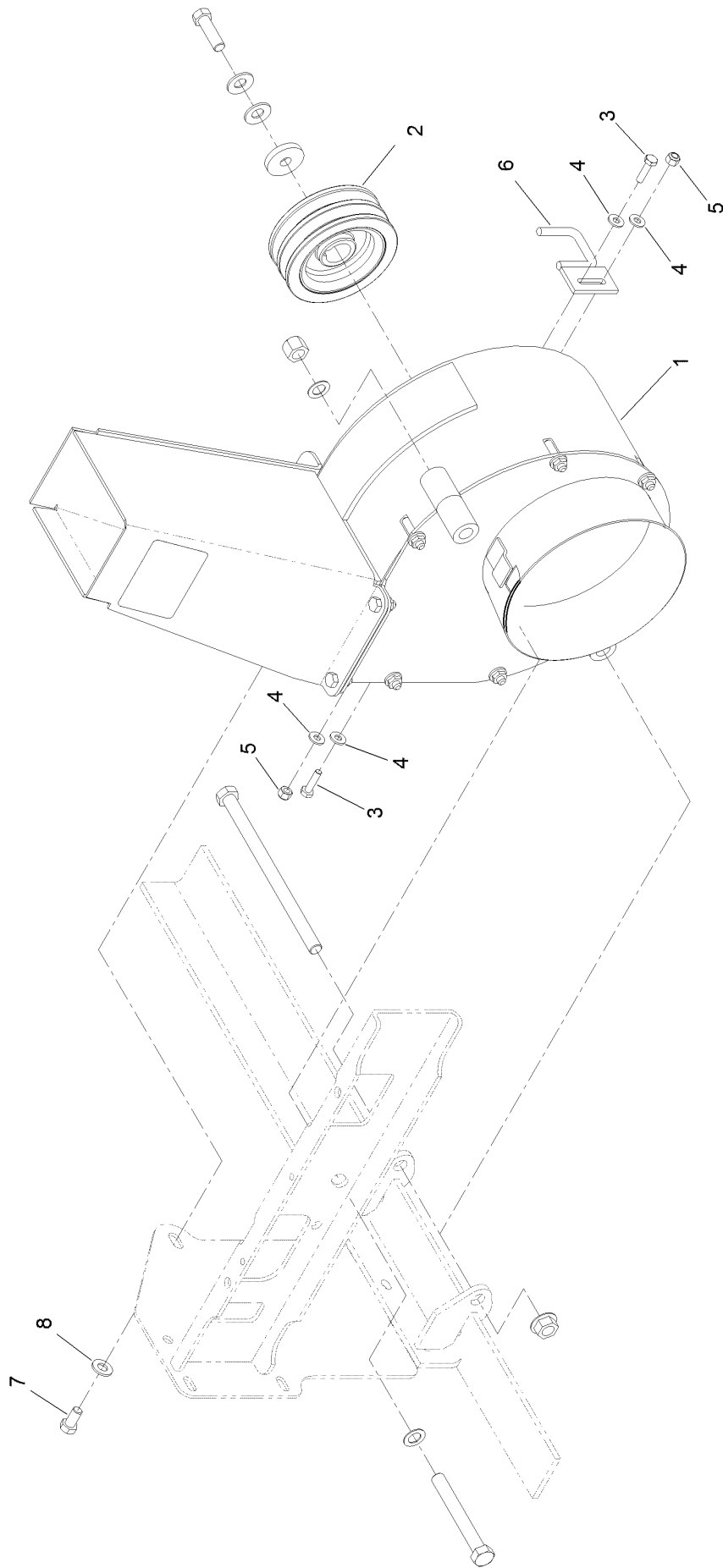


## Hydraulic Assembly (continued)

<i>Ref.</i>	<i>Part Number</i>	<i>Qty.</i>	<i>Description</i>	<i>Ref.</i>	<i>Part Number</i>	<i>Qty.</i>	<i>Description</i>
1	1-603990	8	Adapter-Straight	28	323-4	2	Screw-HH 3/8-16 X 3/4
1:1	1-603920	1	O-Ring-Sae #8	29	116-7836	2	12Cc Hydro Pump ASM
1:2	1-603992	1	O-Ring-37 Flare #8	30	116-5634	2	Tire And Wheel ASM
2	1-632208	2	Arm-Control, Pump	31	116-7831	1	Hydraulic Hose ASM
3	120-6474	2	Screw-Set, SQH 5/16-18 X 3/4	32	103-2156	5	Adapter-Straight
4	104-7836	1	Filter-Head	32:1	1-603921	1	O-Ring-Sae #6
5	109-4180	1	Element, Oil Filter	32:2	103-1020	1	O-Ring-37 Flare #6
6	116-9274	1	Reservoir ASM	34	3290-357	2	Nut-Whizlock 3/8-16
6:1		1	Reservoir-HYD ●	35	126-4400	1	Hydraulic Hose ASM
6:1:1	116-9273	1	Reservoir Cap ASM	36	116-7827	1	Hydraulic Hose ASM
6:1:2	103-1949	1	Gasket-Cap	37	116-7828	1	Hydraulic Hose ASM
6:2	115-4212	1	Decal-Warning	38	116-7829	1	Hydraulic Hose ASM
7	103-4246	2	Sheave	39	116-7830	1	Hydraulic Hose ASM
8	1-633396	1	Clip-Loom 5/8	40	109-1264	1	Hydraulic Hose ASM
9	103-7706	1	Grommet	41	103-5469	1	Adapter-Tee Special
10	1-543286	2	Grommet	41:1	237-42	1	O-Ring
12	1-803310	4	Setscrew-5/16-18 X 3/8	42	103-1828	1	Adapter-Running Tee
13	116-7401	1	Motor-HYD, LH	42:1	237-42	1	O-Ring
14	116-7402	1	Motor-HYD, RH	43	103-1988	7	Clamp-Hose 11/16
15	354-134	2	Fitting-HYD, 90 DEG	44	103-5452	1	Hose-HYD
15:1	237-79	1	O-Ring	45	103-5477	1	Hose-HYD
16	325-19	8	Screw-HH 1/2-13 X 5	46	100-4887	1	Fitting-Barbed, 90 DEG
17	32128-49	8	Nut-Whizlock 1/2-13	46:1	237-42	1	O-Ring
18	242-50	8	Nut-Lug 1/2-20	48	103-7349	1	Short Idler ASM
19	1-807272	2	Key-5Mm X 5Mm X 25Mm	49	103-2916	1	Guard-Top
20	323-7	4	Screw-HH 3/8-16 X 1 1/4	50	116-6361	2	Pulley
21	32128-43	7	Nut-Whizlock 3/8-16	51	106-5574	1	Spacer-Mounting, Steering
22	1-805004	2	Washer-Lock 1/4 Heavy	52	1-653331	1	Spring
23	321-3	2	Screw-HH 1/4-20 X 5/8	53	323-20	1	Screw-HH 3/8-16 X 3-1/4
24	3256-22	2	Washer-1/4 Sae	54	323-12	1	Screw-HH 3/8-16 X 2 1/2
25	321-6	2	Screw-HH 1/4-20 X 1	55	323-9	1	Screw-HH 3/8-16 X 1 3/4
26	32128-33	2	Nut-Whizlock 1/4-20	56	3256-24	2	Washer-3/8 Sae
27	103-8631	1	Bracket-Clamp	58	103-4244	1	Belt

● Not serviced separately

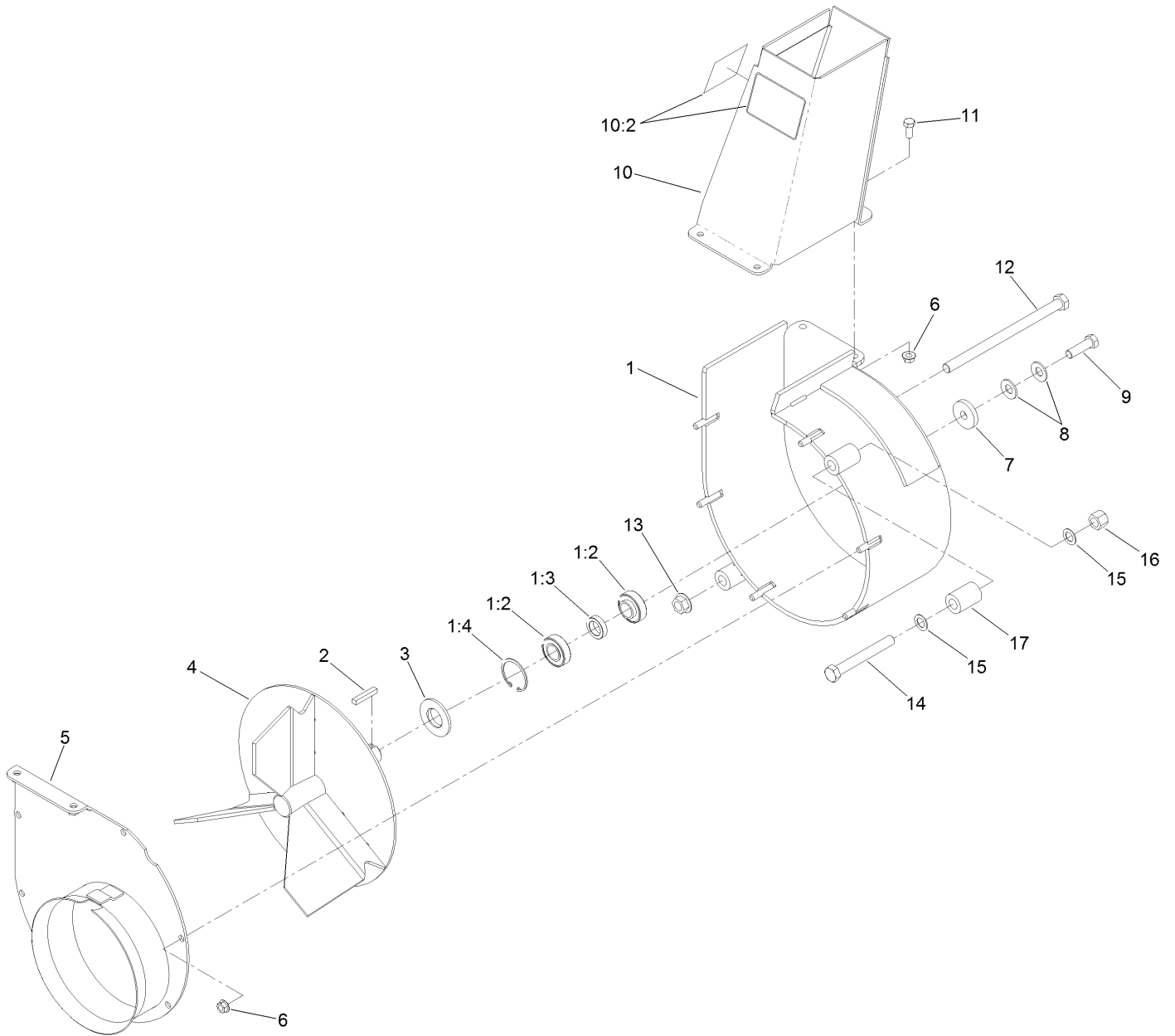
# Blower Mounting Assembly



## Blower Mounting Assembly (continued)

<i>Ref.</i>	<i>Part Number</i>	<i>Qty.</i>	<i>Description</i>	<i>Ref.</i>	<i>Part Number</i>	<i>Qty.</i>	<i>Description</i>
1	116-9649	1	Blower ASM	5	3296-42	2	Nut-Lock, NI
2	103-6733	1	Sheave-Blower	6	103-9167-03	1	Guide
3	321-6	2	Screw-HH	7	323-4	1	Screw-HH
4	3256-22	4	Washer-Flat	8	3256-24	1	Washer-Flat

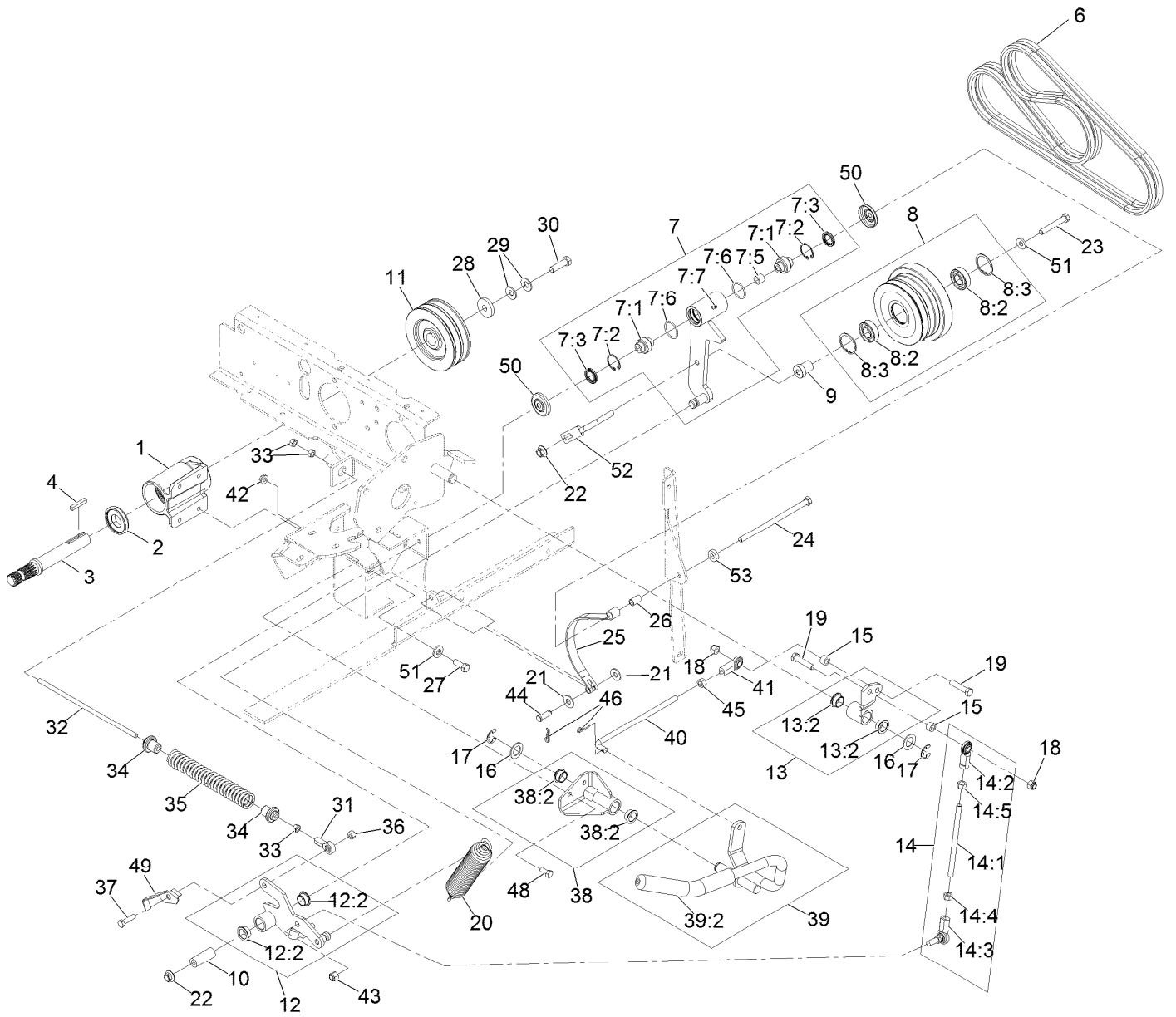
# Blower Assembly No. 116-9649



## Blower Assembly No. 116-9649 (continued)

<i>Ref.</i>	<i>Part Number</i>	<i>Qty.</i>	<i>Description</i>	<i>Ref.</i>	<i>Part Number</i>	<i>Qty.</i>	<i>Description</i>
1	116-9648	1	Housing ASM	9	3212-6	1	Screw-HH
1:2	103-3540	2	Bearing-Ball	10	103-9474	1	Discharge Chute ASM
1:3	103-4921	1	Spacer-Bearing	10:2	116-8943	2	Decal-Danger, Impeller
1:4	32120-8	2	Ring-Snap	11	322-3	4	Screw-HH
2	67-7490	1	Key-Square	12	325-42	1	Screw-HH
3	103-3894	1	Spacer-Blower	13	32128-23	1	Nut-HF
4	103-5194	1	Impeller-3 Blade	14	325-17	1	Screw-HH
5	103-3370-03	1	Cover-Blower	15	18-9810	2	Washer-Thrust
6	32128-20	10	Nut-HF	16	3296-23	1	Nut-Lock, NI
7	1-543610	1	Washer-Clutch	17	103-6999	1	Spacer-Mount
8	1-603610	2	Washer-Spring				

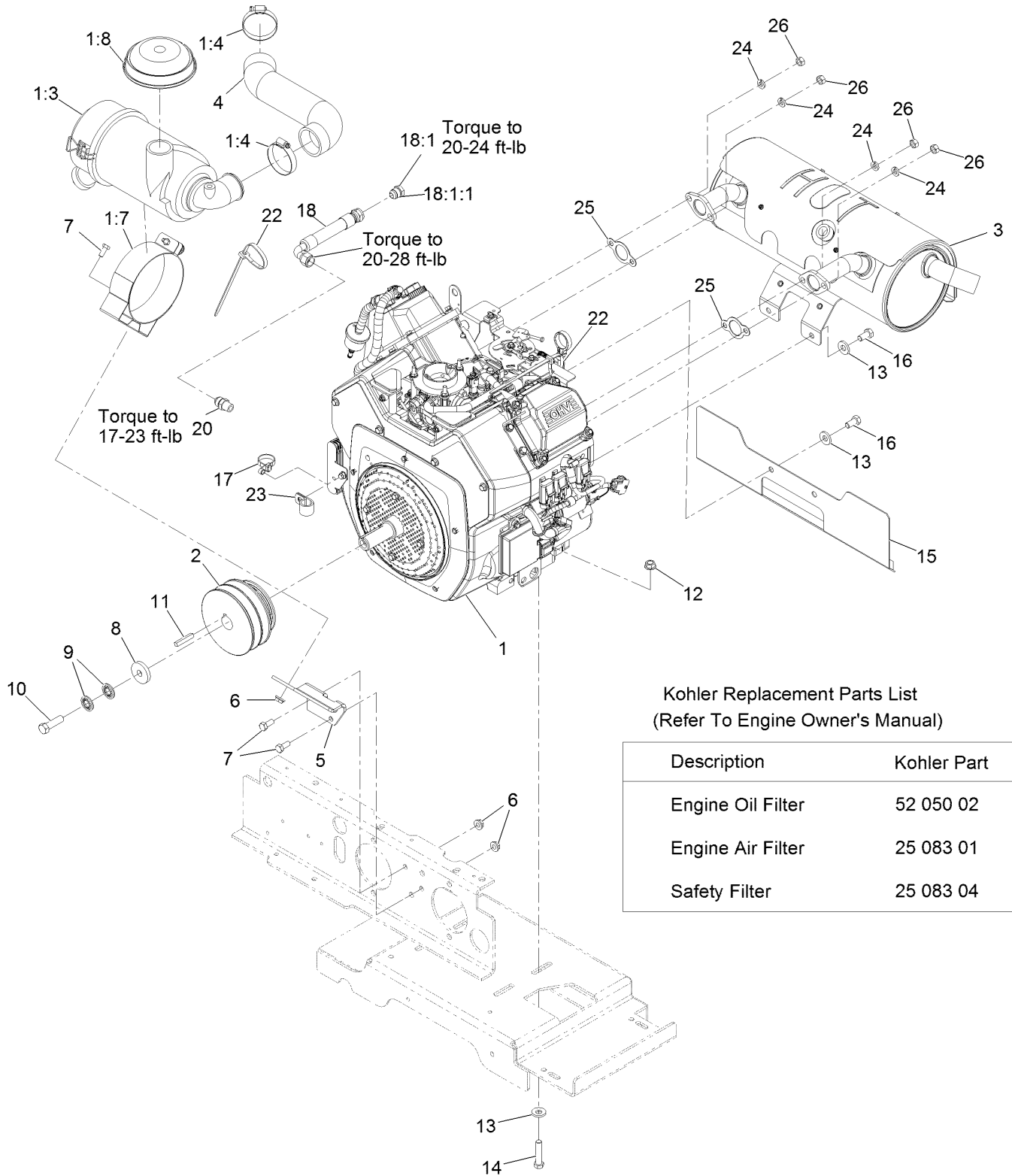
# Drive Assembly



## Drive Assembly (continued)

<i>Ref.</i>	<i>Part Number</i>	<i>Qty.</i>	<i>Description</i>	<i>Ref.</i>	<i>Part Number</i>	<i>Qty.</i>	<i>Description</i>
1	103-2544	1	Jackshaft ASM	21	3256-4	2	Washer-Flat
2	103-2535	1	Spacer-Guard, Bottom	22	32128-19	2	Nut-HF
3	103-6735	1	Jackshaft	23	323-12	1	Screw-HH
4	67-7490	1	Key-Square	24	323-36	1	Screw-HH
6	103-6737	1	Belt, Matched Pair	25	103-7697	1	Band-Brake
7	103-8253	1	Idler Pivot ASM	26	103-9816	1	Spacer
7:1	103-3504	2	Bearing-Spherical	27	323-6	4	Screw-HH
7:2	32120-10	2	Ring-Snap	28	1-543610	1	Washer-Clutch
7:3	103-3506	2	Seal-Lip, Single	29	1-603610	2	Washer-Spring
7:5	1-413088	1	Bushing-Lever, Lift	30	3212-6	1	Screw-HH
7:6	106-7159	2	O-Ring	31	1-543017	1	Balljoint-RH
7:7	302-19	1	Fitting-Grease	32	103-7996	1	Linkage-Rod, PTO Brake
8	103-9439	1	Idler Sheave ASM	33	3219-2	3	Nut-Hex
8:2	251-347	2	Bearing-Ball	34	103-8254	2	Bushing-Spring
8:3	32151-13	2	Ring-Retaining	35	103-7997	1	Spring-Brake
9	103-7350	1	Spacer-Idler	36	3296-29	1	Nut-Lock, NI
10	103-7382	1	Bushing	37	322-6	1	Screw-HH
11	103-6732	1	Sheave	38	103-9295	1	Pivot ASM
12	103-9296	1	Arm ASM	38:2	108519	2	Bushing-Bronze
12:2	108519	2	Bushing-Bronze	39	103-9486	1	PTO Handle ASM
13	103-9297	1	Arm ASM	39:2	103-8153	1	Grip-Lever, Control
13:2	108519	2	Bushing-Bronze	40	103-8277	1	Link-Handle
14	103-7392	1	Clutch Link ASM	41	103-0608	1	Joint-Ball, End
14:1	103-7393	1	Rod-Linkage	42	32128-20	2	Nut-HF
14:2	103-1167	1	Joint-Ball End, LH	43	3296-6	1	Nut-Lock
14:3	103-7994	1	Balljoint-RH	44	283-2	1	Pin-Clevis
14:4	3219-3	1	Nut-Hex	45	3219-3	1	Nut-Hex
14:5	3219-20	1	Nut-Hex, LH	46	1-806003	2	Pin-Cotter
15	92-9025	2	Spacer	48	322-3	2	Screw-HH
16	1-303007	2	Washer	49	103-8716-03	1	Switch-Flag
17	32151-48	2	E-Ring	50	103-2916	2	Guard-Top
18	3296-39	2	Nut-Lock, NI	51	98-5975	5	Washer-Belleville
19	323-9	2	Screw-HH	52	109-5491	1	Guide-Belt
20	109-0148	1	Spring-Extension	53	5-0652	1	Spacer

# Engine Assembly



Kohler Replacement Parts List  
(Refer To Engine Owner's Manual)

Description	Kohler Part
Engine Oil Filter	52 050 02
Engine Air Filter	25 083 01
Safety Filter	25 083 04



## Engine Assembly (continued)

<i>Ref.</i>	<i>Part Number</i>	<i>Qty.</i>	<i>Description</i>	<i>Ref.</i>	<i>Part Number</i>	<i>Qty.</i>	<i>Description</i>
1		1	ASM-Engine Kohler Ch740 ●■	12	3290-357	4	Nut-Whizlock 3/8-16
1:3	103-8569	1	Air Cleaner Canister ASM	13	98-5975	8	Washer-Spring Disc 3/8
1:4	2412-42	2	Clamp-Hose	14	323-9	4	Screw-HH 3/8-16 X 1 3/4
1:7	103-1058	1	Bracket-Filter, Air	15	109-0181-03	1	Shield-Exhaust
1:8	100-2436	1	Asm-Hood Air Intake W/Clamp	16	323-4	4	Screw-HH 3/8-16 X 3/4
2	103-6731	1	Sheave-Engine	17	109-7896	1	Tie-Cable
3	103-7444	1	Muffler	18	116-5338	1	Oil Drain Hose ASM
4	103-6961	1	Hose-Air Intake	18:1	353-508	1	Plug-W/O-Ring
5	103-3695-03	1	Bracket-Filter, Air	18:1:1	237-42	1	O-Ring
6	32128-20	4	Nut-Whizlock 5/16-18	20	116-1455	1	Fitting-Straight ▲
7	322-3	4	Screw-HH 5/16-18 X 3/4	22	1-303335	3	Tie-Cable 7 15/16 (Large)
8	1-543610	1	Washer	23	1-633396	1	Clip-Loom 5/8
9	1-603610	2	Washer-Spring Disc 7/16	24	1-805005	4	Washer-Lock 5/16 Heavy
10	3212-6	1	Screw-HH 7/16-20 X 1 1/2 ◆	25	1-653291	2	Gasket-Exhaust
11	67-7490	1	Key-Machine 1/4 X 1/4 X 1 1/2	26	33014-00	4	Nut-Hex M8-1.25

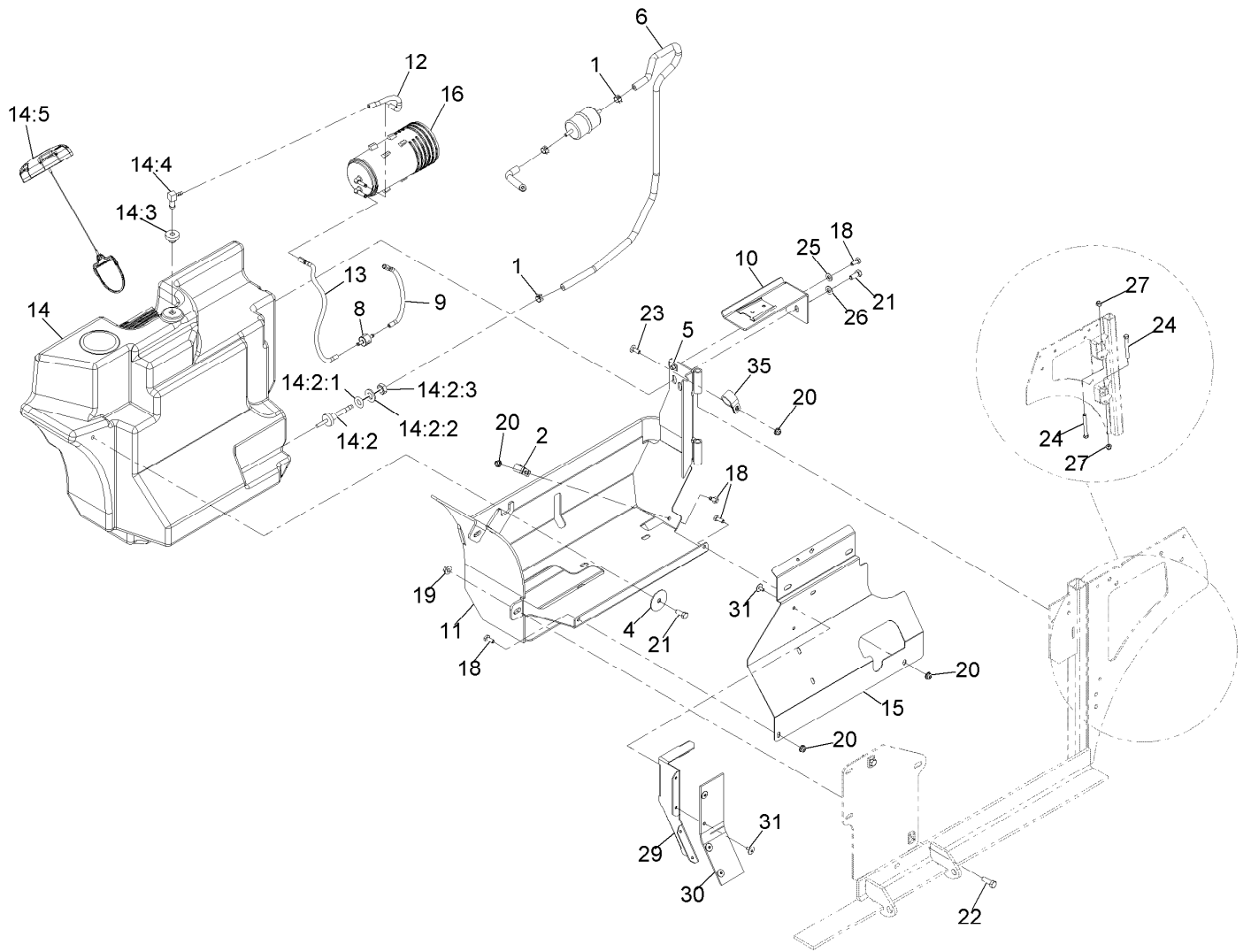
● Not serviced separately

▲ Use a Teflon Pipe Sealant or equivalent on threads.

◆ Use Pro-Lock, Nut Type (P/N 1-840022, .5ml tube) on threads.

■ Obtain parts from [www.kohlerplus.com](http://www.kohlerplus.com)

# Fuel Tank Assembly



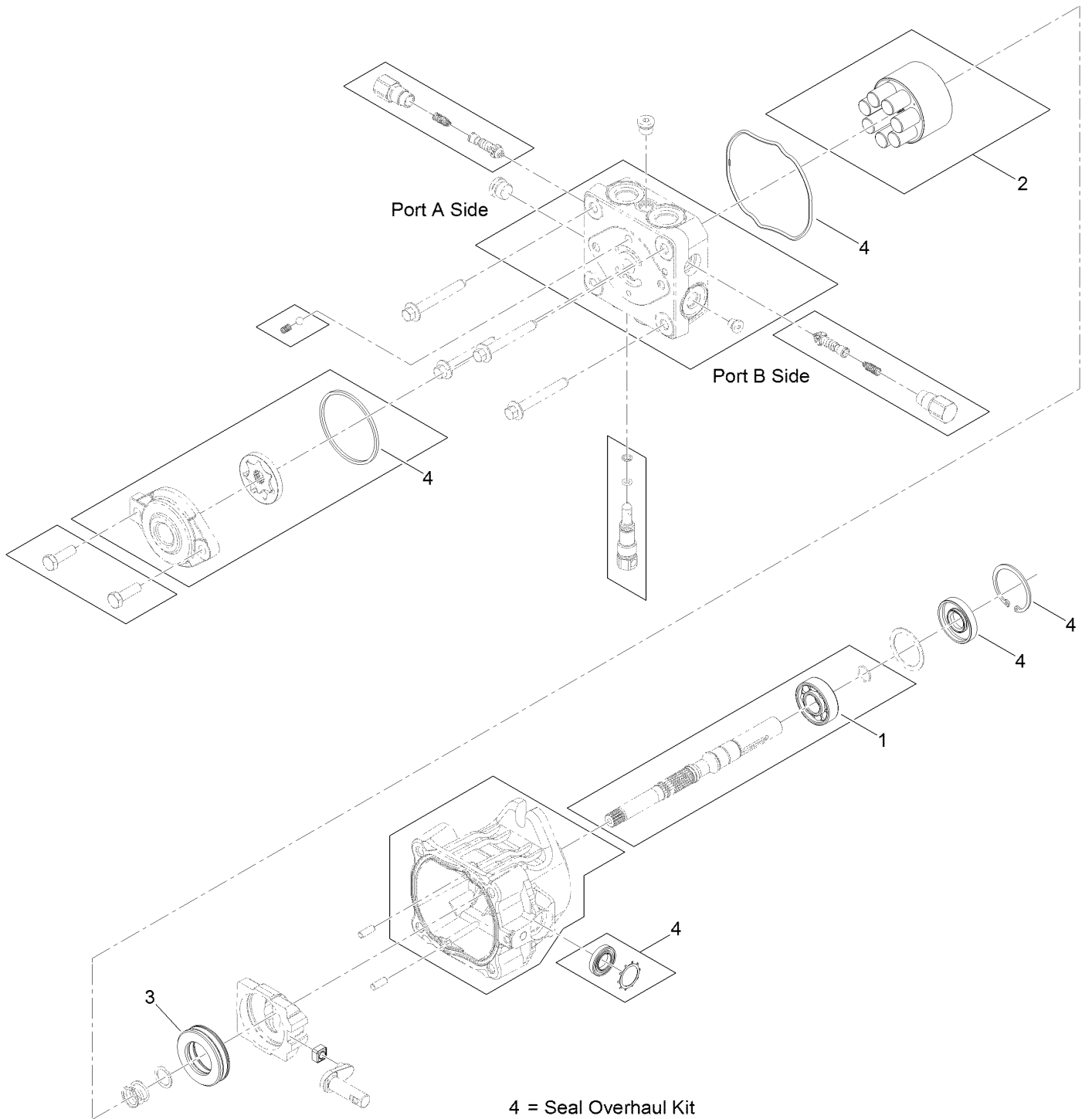
## Fuel Tank Assembly (continued)

<i>Ref.</i>	<i>Part Number</i>	<i>Qty.</i>	<i>Description</i>	<i>Ref.</i>	<i>Part Number</i>	<i>Qty.</i>	<i>Description</i>
1	2412-98	2	Clamp-Hose	14:4	100-1596	1	Fitting-90 DEG
2	1-513762	1	Clip-Loom 1/2	14:5	120-5461	1	Cap-Fuel, Ratcheting
4	1-653036	1	Washer	15	116-7928-03	1	Panel-Tank Shield
5	107069	1	Nut-Retainer-Panel 1/4-20	16	117-1221	1	Canister-Carbon, 800Cc
6	109-0284	1	Hose-Fuel Line 29"	18	321-3	4	Screw-HH 1/4-20 X 5/8
8	133-8499	1	Valve-Check, Vacuum	19	32128-20	2	Nut-Whizlock 5/16-18
9	116-2619	1	Hose-Vent, Formed	20	104-7201	4	Nut-Nyloc 1/4-20 Flg
10	116-2847-03	1	Canister Bracket ASM	21	322-3	2	Screw-HH 5/16-18 X 3/4 ●
11	116-2848-03	1	Tank Frame ASM	22	322-5	2	Screw-HH 5/16-18 X 1 ■
12	116-2966	1	Hose-Vent, Formed	23	3229-1	1	Bolt-Carriage 1/4-20 X 3/4
13	116-2967	1	Hose-Vent, Formed	24	323-14	2	Screw-HH 3/8-16 X 3
14	116-8365	1	Fuel Tank ASM	25	3256-22	1	Washer-1/4 Sae
14:2	103-6057	1	Fitting-Fuel Bulkhead W/Screen ●	26	3256-23	1	Washer-5/16 Sae
14:2:1	103-2784	1	O-Ring	27	3296-39	2	Nut-Nyloc 3/8-16
14:2:2	3256-26	1	Washer-1/2 Sae	29	103-7095-03	1	Deflector-Air
14:2:3	3220-5	1	Nut-Jam 1/2-20	30	103-9658	1	Flap-Rubber
14:3	46-6560	1	Bushing	31	1-803035	9	Rivet 3/16 X 1/4
				35	110-0824	1	R-Clamp

● Use Pro-Lock, Nut Type (P/N 1-840022, .5ml tube) on threads.

■ Use Pro-Lock retaining type, Part no. 1-840023 (.5cc tube) on threads.

# Hydraulic Pump Assembly No. 116-7836

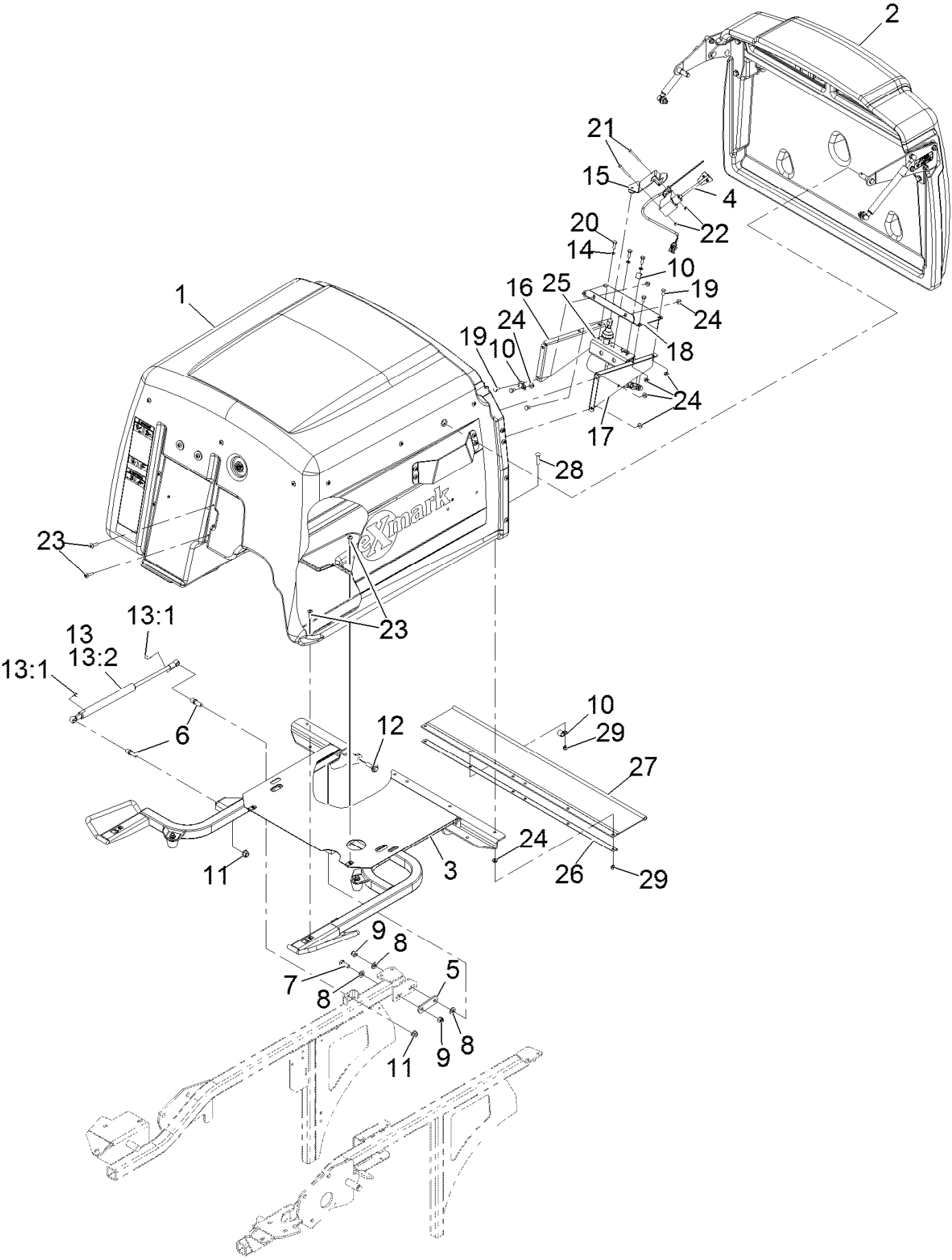


# Hydraulic Pump Assembly No. 116-7836 (continued)

<i>Ref.</i>	<i>Part Number</i>	<i>Qty.</i>	<i>Description</i>
1	104-5311	1	Bearing-Ball
2	103-7443	1	Cylinder Block Kit

<i>Ref.</i>	<i>Part Number</i>	<i>Qty.</i>	<i>Description</i>
3	121-3235	1	Bearing-Thrust, Plastic Cage
4	105-6184	1	Seal Overhaul Kit

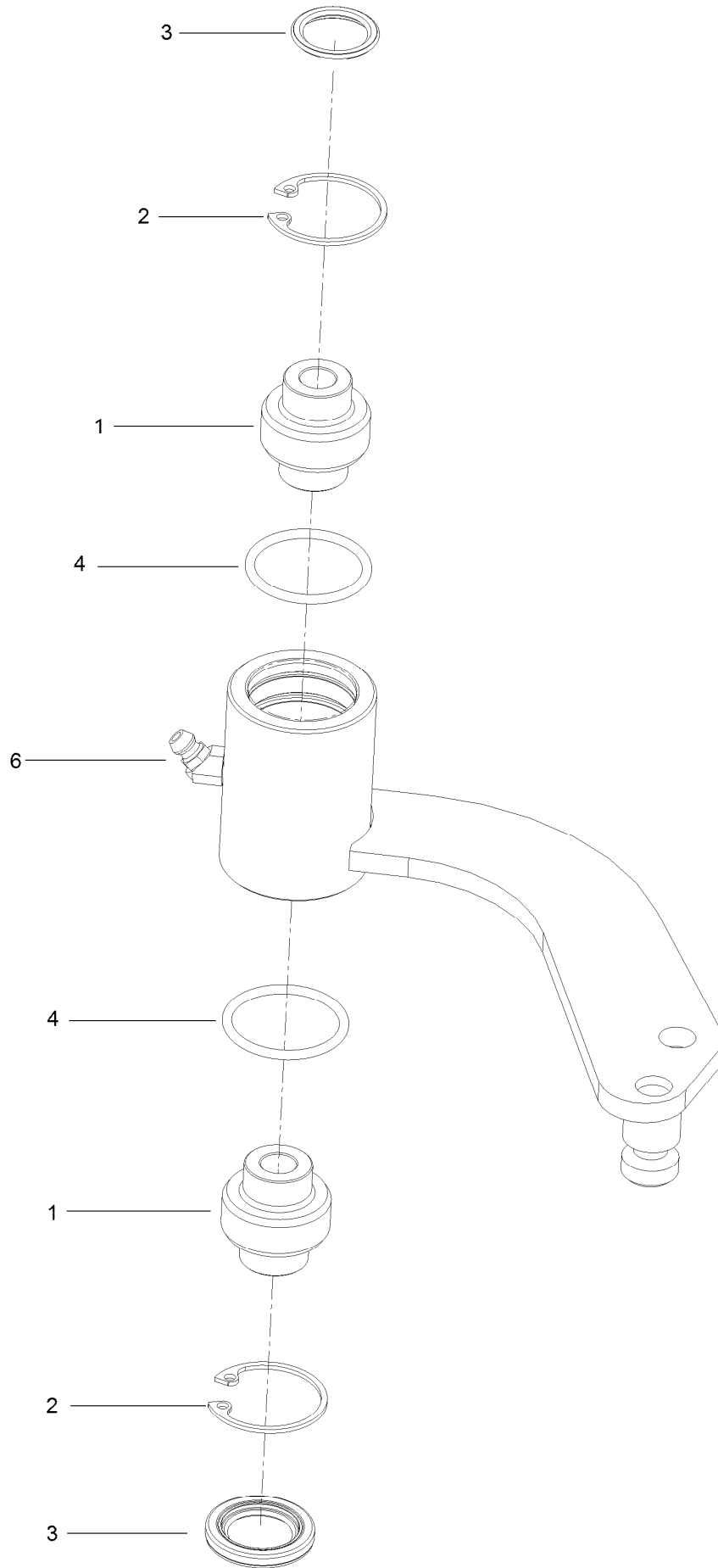
# Hopper Assembly



## Hopper Assembly (continued)

<i>Ref.</i>	<i>Part Number</i>	<i>Qty.</i>	<i>Description</i>	<i>Ref.</i>	<i>Part Number</i>	<i>Qty.</i>	<i>Description</i>
1	103-9457	1	Asm, Hopper	15	109-3648	1	Mount-Switch
2	103-9456	1	Asm, Door Hopper	16	103-6067-03	1	Bracket-Drive Motor, LH
3	109-4086	1	Hopper Frame ASM	17	103-6068-03	1	Bracket-Drive Motor, RH
4	103-9466	1	Asm, Fill Sensor	18	103-7085-03	1	Plate-Switch
5	1-633068	2	Arm-Lift, Deck	19	321-2	7	Screw-HH
6	103-5426	2	Stud-Ball	20	329-4	3	Screw-HH
7	323-6	2	Screw-HH	21	3250-48	2	Screw-PPH
8	3256-24	6	Washer-Flat	22	3296-2	2	Nut-Lock, NI
9	3296-39	4	Nut-Lock, NI	23	32105-32	8	Screw-TTH
10	1-513762	3	Clip-Loom	24	32128-33	17	Nut-HF
11	33005-00	2	Nut-HF	25	109-3853	1	Motor
12	614672	2	Bolt-Shoulder	26	103-6022-03	1	Channel-Hopper Frame
13	109-0716	1	Damper Kit	27	103-6025	1	Deflector-Grass
13:1	103-8325	2	Clip-Retainer	28	3229-4	6	Screw-CARR
13:2	103-5425	1	Shock-Gas Compression	29	3296-42	6	Nut-Lock, NI
14	1-303435	3	Washer-Spring				

# Idler Assembly No. 103-7349



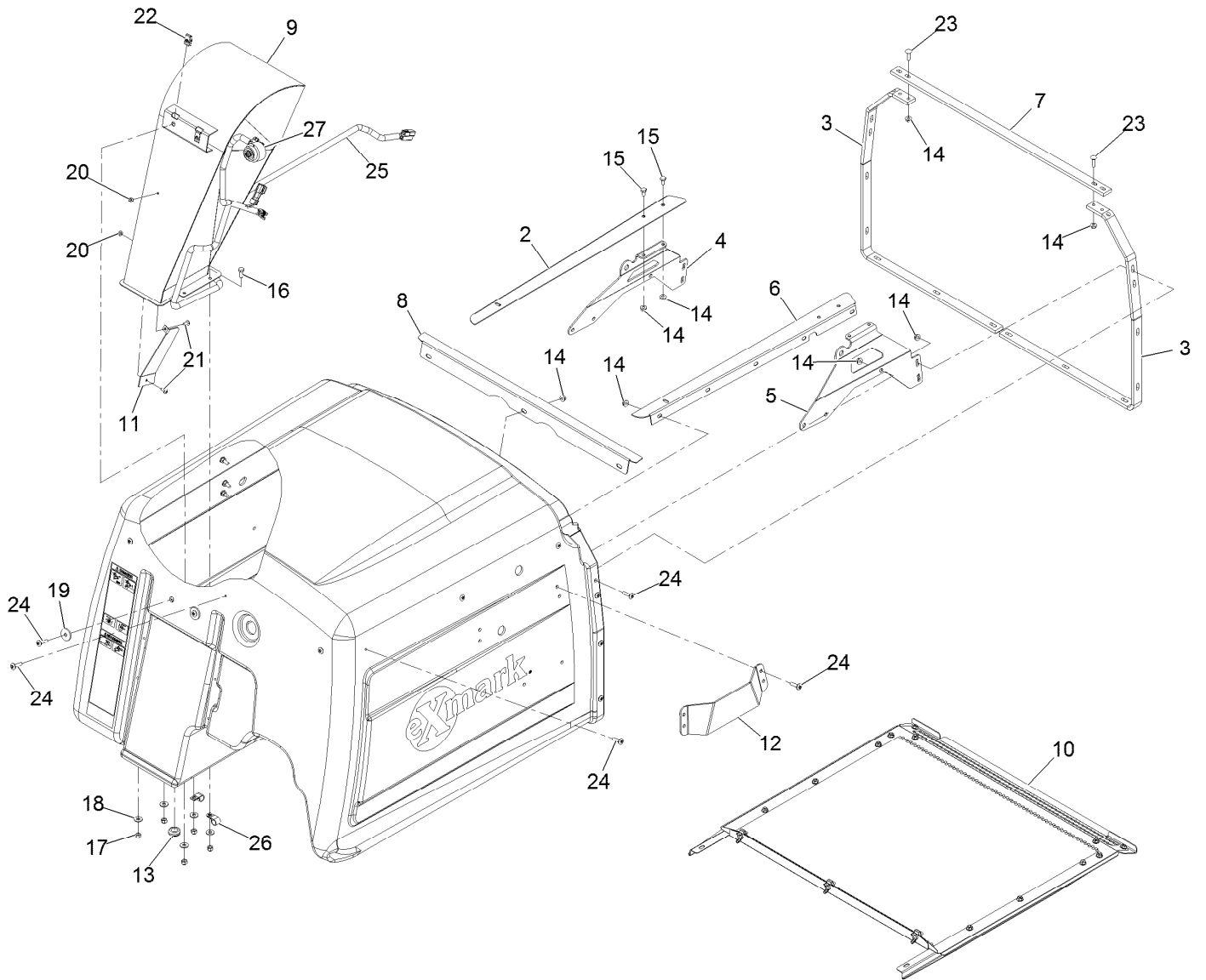


## Idler Assembly No. 103-7349 (continued)

<i>Ref.</i>	<i>Part Number</i>	<i>Qty.</i>	<i>Description</i>
1	103-3504	2	Bearing-Spherical
2	32120-10	2	Ring-Snap
3	103-3506	2	Seal-Lip, Single

<i>Ref.</i>	<i>Part Number</i>	<i>Qty.</i>	<i>Description</i>
4	106-7159	2	O-Ring
6	302-11	1	Fitting-Lube, 45 DEG

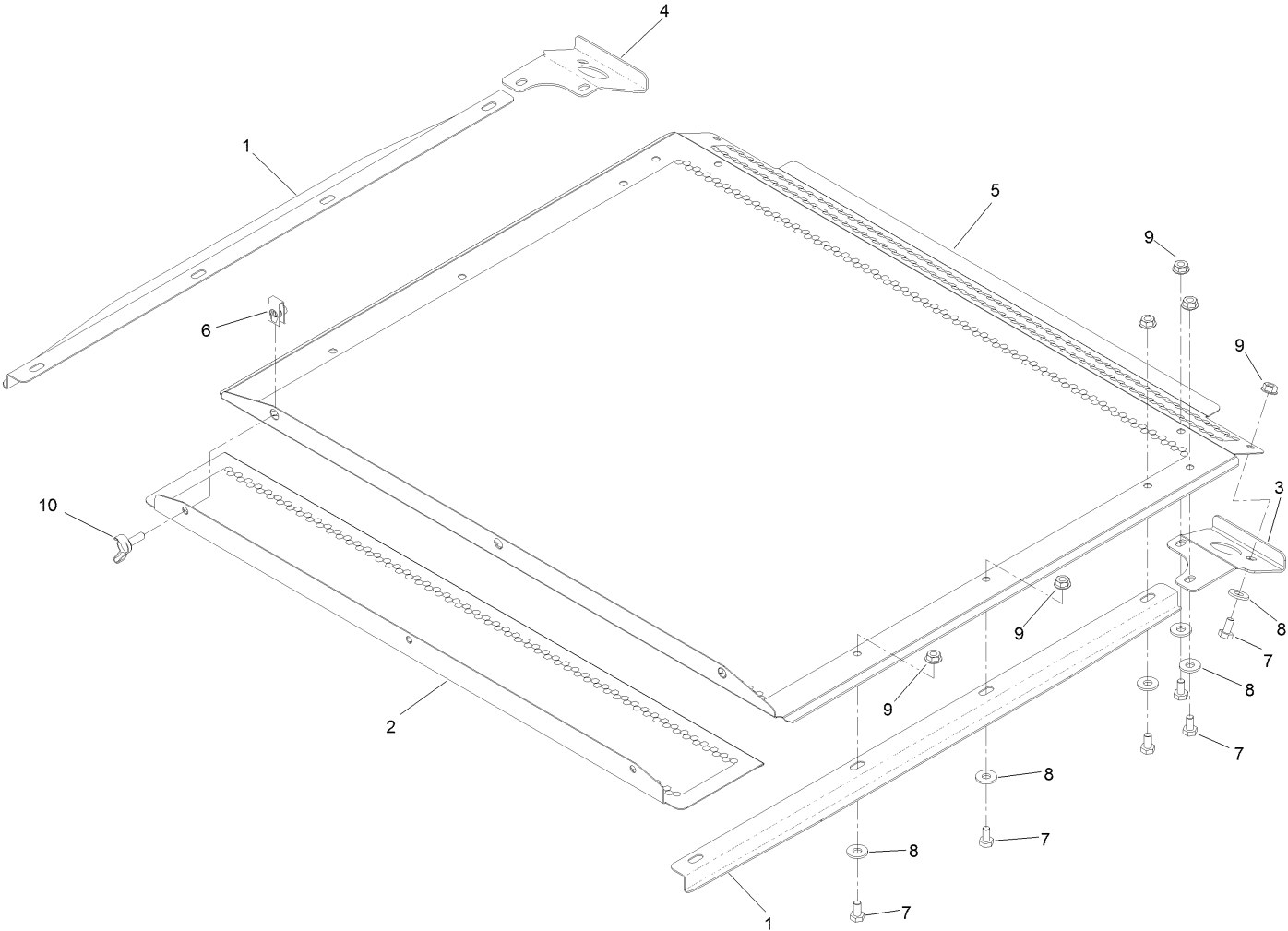
# Hopper Assembly No. 103-9457



## Hopper Assembly No. 103-9457 (continued)

<i>Ref.</i>	<i>Part Number</i>	<i>Qty.</i>	<i>Description</i>	<i>Ref.</i>	<i>Part Number</i>	<i>Qty.</i>	<i>Description</i>
2	103-5736-03	1	Angle-Screen Track, RH	16	321-4	5	Screw-HH 1/4-20 X 3/4
3	103-5045-03	2	Reinforcement-Hopper	17	3296-42	5	Nut-Nyloc 1/4-20
4	103-5751-03	1	Brace-Door Pivot, RH	18	3256-2	5	Washer-1/4 Std
5	103-5749-03	1	Brace-Door Pivot, LH	19	1-613235	2	Washer
6	103-5774-03	1	Angle-Screen Track, LH	20	3296-2	2	Nut-Nyloc #10-24
7	103-5772-03	1	Bracket-Frame Connect	21	32122-30	2	Screw-Truss HD #10-24 X 1/2
8	103-7035-03	1	Channel-Screen, Front	22	107069	2	Nut-Retainer-Panel 1/4-20
9	109-3650-03	1	Diffuser	23	3229-2	4	Bolt-Carriage 1/4-20 X 1
10	109-0717	1	Hopper Screen ASM	24	32105-32	27	Screw-Truss HD 1/4-20 X 1
11	103-8680	1	Deflector-Discharge Chute	25	103-8800	1	Harness-Wire, Hopper
12	109-4019	2	Plate-Guard	26	1-513762	2	Clip-Loom 1/2
13	1-543296	1	Grommet	27	103-0205	1	Alarm-Tone, Dual
14	32128-33	33	Nut-Whizlock 1/4-20				
15	321-2	4	Screw-HH 1/4-20 X 1/2				

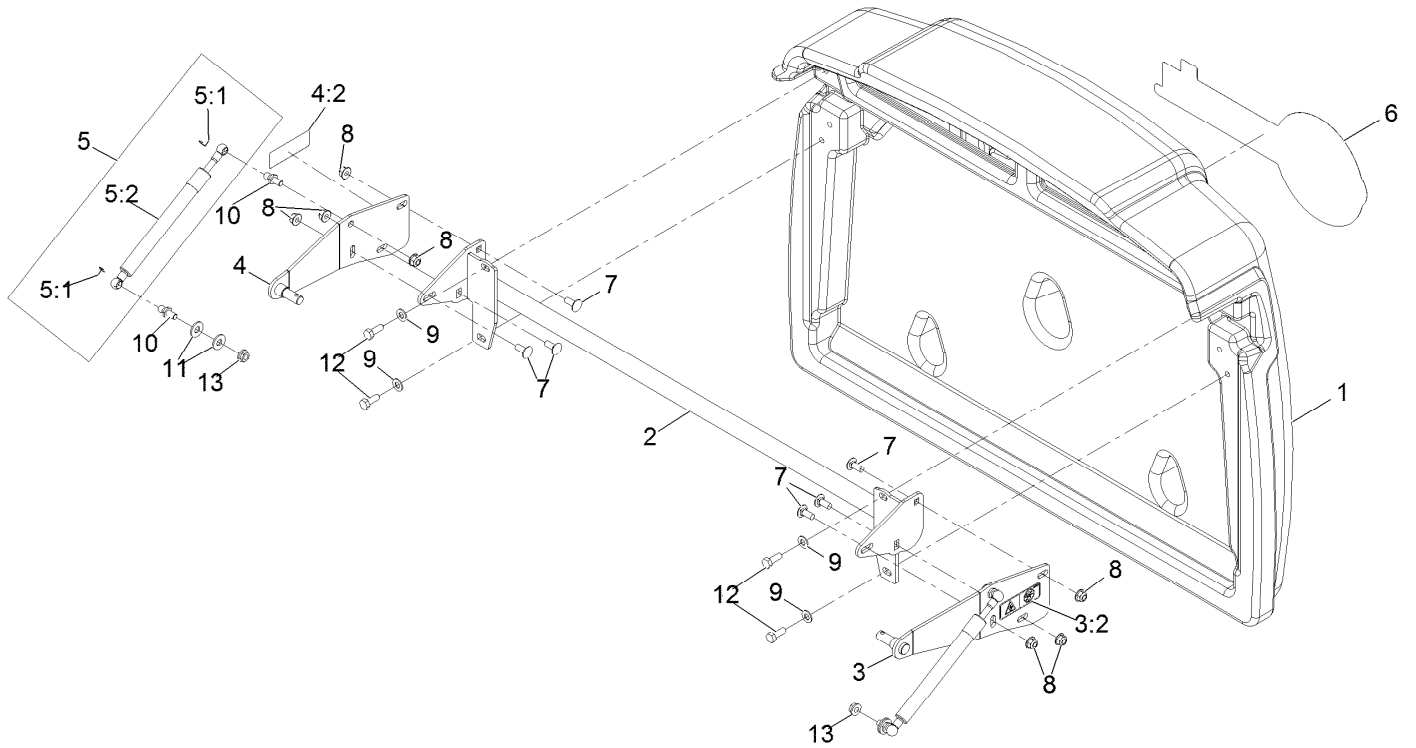
# Hopper Screen Assembly No. 109-0717



# Hopper Screen Assembly No. 109-0717 (continued)

<i>Ref.</i>	<i>Part Number</i>	<i>Qty.</i>	<i>Description</i>	<i>Ref.</i>	<i>Part Number</i>	<i>Qty.</i>	<i>Description</i>
1	103-8203-03	2	Guide-Screen	6	107069	3	Clip
2	103-7048-03	1	Panel-Screen, Removable	7	321-2	12	Screw-HH
3	103-7098-03	1	Handle-Screen, LH	8	3256-2	12	Washer-Flat
4	103-7099-03	1	Handle-Screen, RH	9	32128-33	12	Nut-HF
5	103-5745-03	1	Panel-Screen, Hopper	10	109-1063	3	Screw-Wing

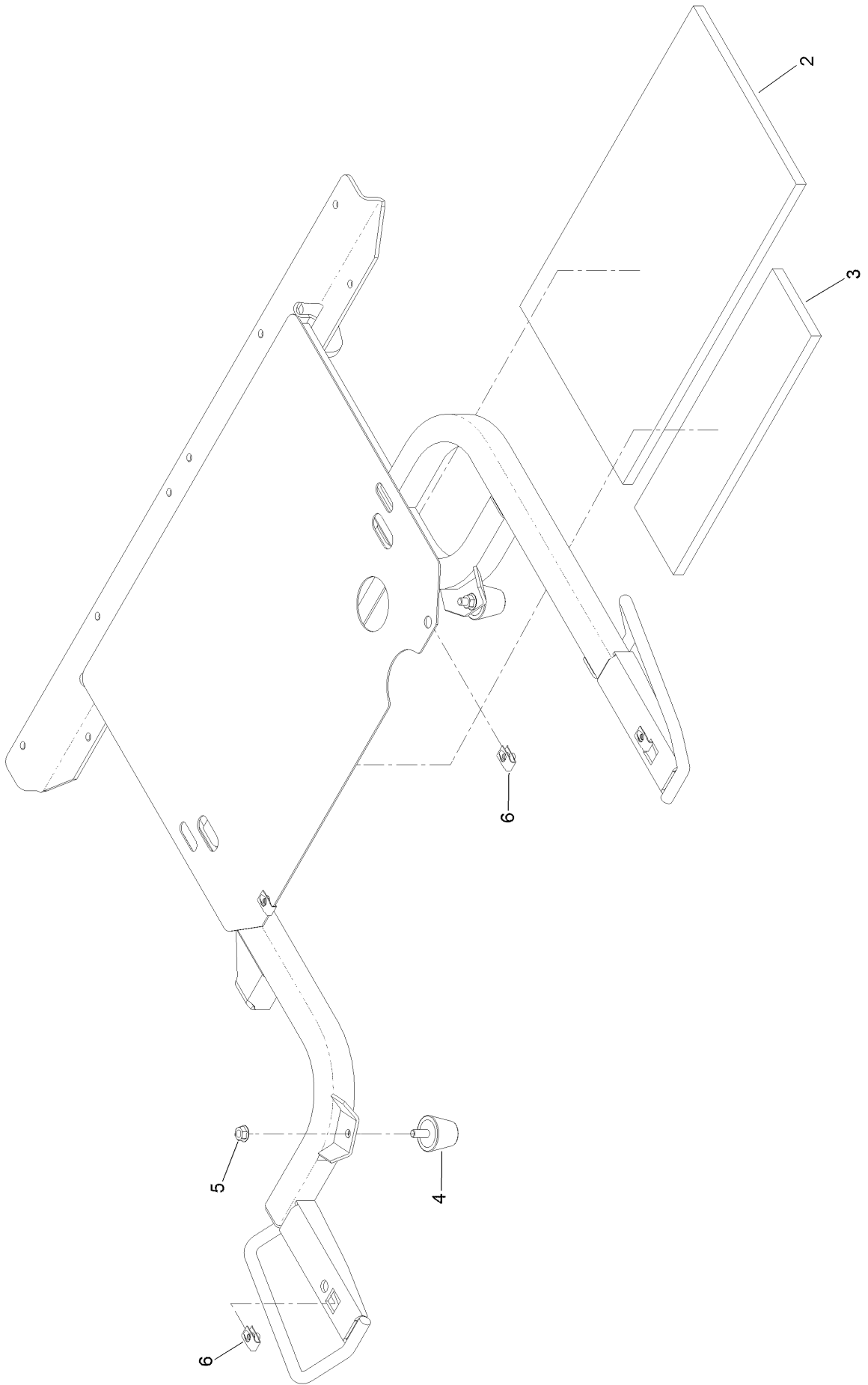
# Hopper Door Assembly No. 103-9456



## Hopper Door Assembly No. 103-9456 (continued)

<i>Ref.</i>	<i>Part Number</i>	<i>Qty.</i>	<i>Description</i>	<i>Ref.</i>	<i>Part Number</i>	<i>Qty.</i>	<i>Description</i>
1	109-3955	1	Door, 9.5 Bushel Hopper	6	126-7353	1	Decal-Exmark Logo
2	109-4153-03	1	Support-Door	7	3230-23	6	Screw-CARR
3	109-4253	1	LH Door Pivot ASM	8	104-8300	8	Nut-Flange, NI
3:2	120-0625	1	Decal-Warning, Pinch Point	9	3256-23	4	Washer-Flat
4	109-4254	1	RH Door Pivot ASM	10	103-5752	4	Stud-Ball
4:2	120-0625	1	Decal-Warning, Pinch Point	11	3256-3	4	Washer-Flat
5	109-0715	2	Damper Kit	12	322-4	4	Screw-HH
5:1	103-8324	2	Clip-Retainer	13	32128-20	2	Nut-HF
5:2	103-5746	1	Shock-Gas Tension				

# Hopper Frame Assembly No. 109-4086





# Hopper Frame Assembly No. 109-4086 (continued)

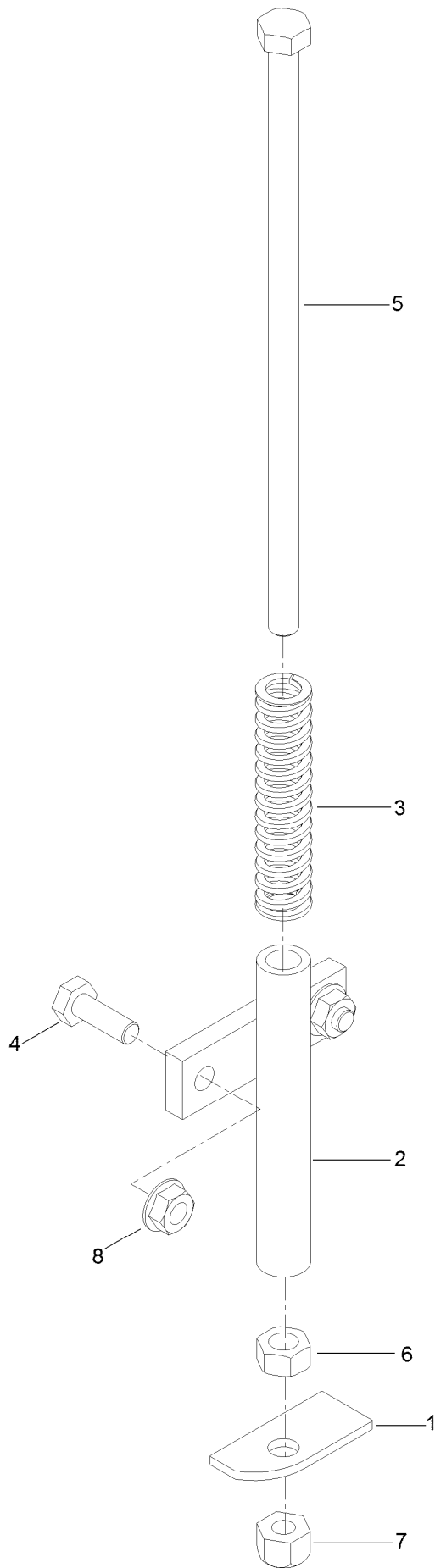
---

<i>Ref.</i>	<i>Part Number</i>	<i>Qty.</i>	<i>Description</i>
2	103-7824	1	Insulation-Foam Pad, Rear
3	103-7825	1	Insulation-Foam Pad, Front
4	1-543963	2	Bumper-Rubber

---

<i>Ref.</i>	<i>Part Number</i>	<i>Qty.</i>	<i>Description</i>
5	32128-20	2	Nut-HF
6	107069	4	Clip

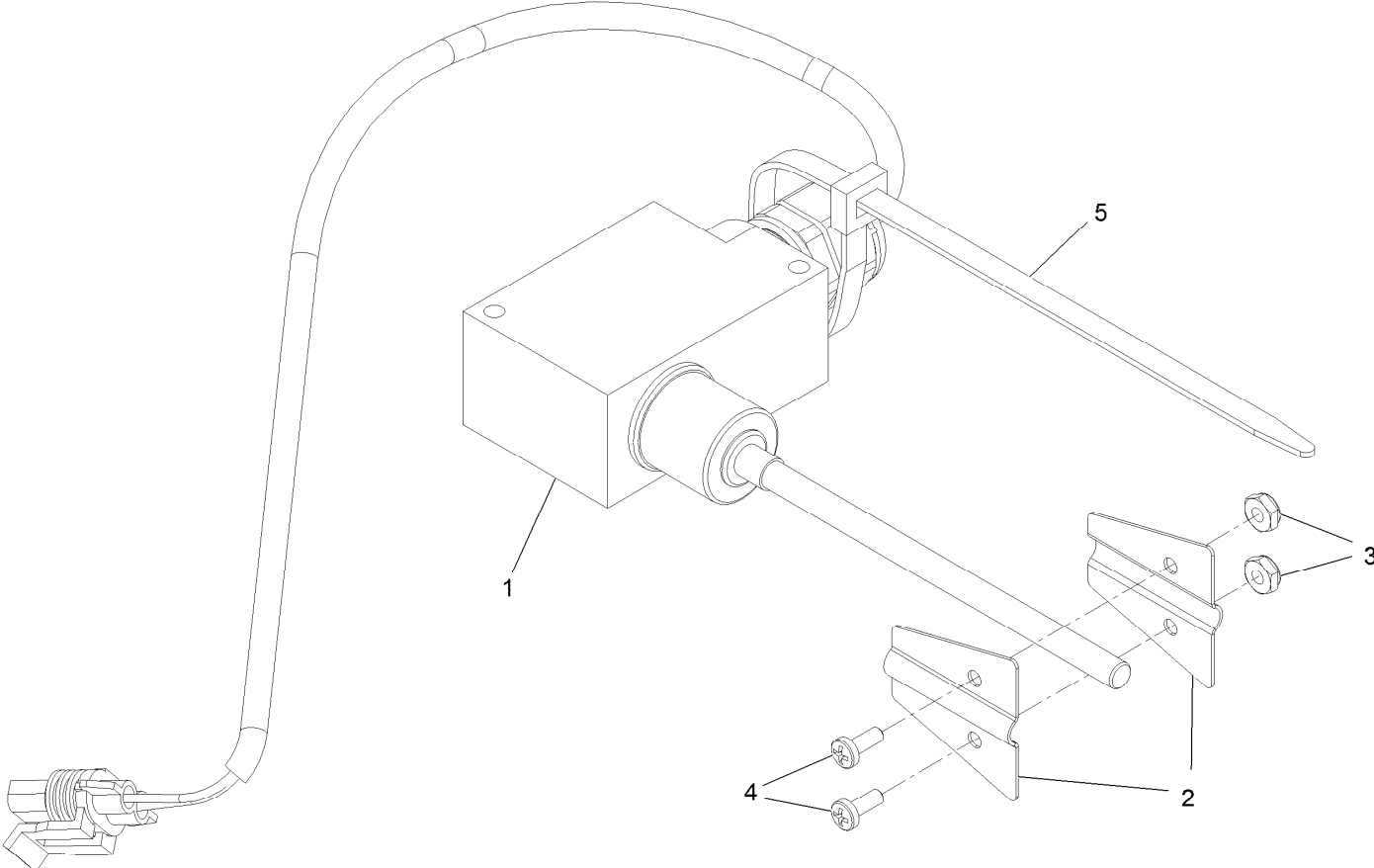
# Hopper Switch Actuator Assembly No. 103-8528



# Hopper Switch Actuator Assembly No. 103-8528 (continued)

<i>Ref.</i>	<i>Part Number</i>	<i>Qty.</i>	<i>Description</i>	<i>Ref.</i>	<i>Part Number</i>	<i>Qty.</i>	<i>Description</i>
1	126-7505	1	Plate-Switch	5	322-50	1	Screw-HH
2	1-522424-03	1	Mount-Spring, Seat	6	3217-6	1	Nut-Hex
3	1-523415	1	Spring-Switch, Seat	7	3296-29	1	Nut-Lock, NI
4	321-4	2	Screw-HH	8	32128-33	2	Nut-HF

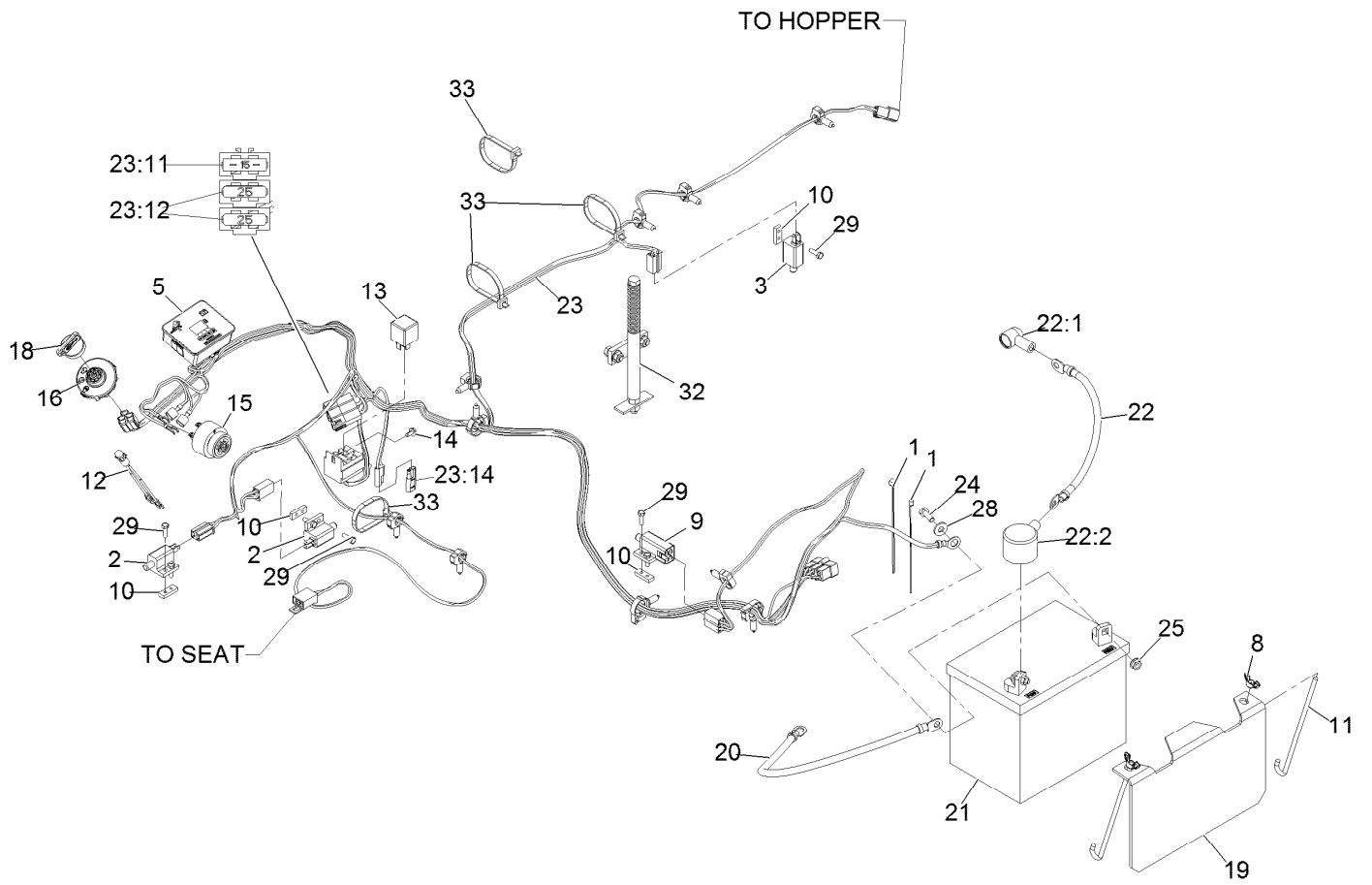
# Fill Sensor Assembly No. 103-9466



## Fill Sensor Assembly No. 103-9466 (continued)

<i>Ref.</i>	<i>Part Number</i>	<i>Qty.</i>	<i>Description</i>	<i>Ref.</i>	<i>Part Number</i>	<i>Qty.</i>	<i>Description</i>
1	109-3854	1	Fill Sensor Wire Kit	4	9107622	2	Screw-Pan
2	103-8789	2	Flag-Sensor, Fill	5	1-303335	1	Tie-Plastic
3	3296-9	2	Nut-Lock				

# Electrical Assembly



## Electrical Assembly (continued)

<i>Ref.</i>	<i>Part Number</i>	<i>Qty.</i>	<i>Description</i>	<i>Ref.</i>	<i>Part Number</i>	<i>Qty.</i>	<i>Description</i>
1	1-303287	2	Tie-Cable 5 1/2 (Small)	21		1	Battery (300 Cca, Wet) ●■
2	1-513051	2	Switch-N.O.	22	116-4730	1	Cable-Battery, Positive
3	1-513152	1	Switch-N.C.	22:1	1-543393	1	Insulator-Solenoid
5	116-8812	1	Hour Meter ASM	22:2	109-2407	1	Insulator-Battery
8	1-543792	2	Wingnut-Nyloc 1/4-20	23	116-9114	1	Harness-Wiring ▲
9	1-633111	1	Switch	23:11	109355	1	Fuse-Blade, 15 Amp
10	1-633181	4	Plate-Tapped	23:12	109102	2	Fuse-Blade, 25 Amp
11	1-633651	2	Bolt-Holddown	23:14	116-0053	1	Cap-Plug
12	1-643267	1	Indicator-Red LED	24	321-4	4	Screw-HH 1/4-20 X 3/4
13	1-643275	1	Relay-12Vdc 40 Amp	25	32128-33	4	Nut-Whizlock 1/4-20
14	104-2065	1	Screw-HWH #10-24 X 3/8	28	3256-2	2	Washer-1/4 Std
15	103-0205	1	Alarm-Dual Tone 12Vdc	29	3290-134	8	Screw-HH Machine 10-24 X 5/8
16	117-2221	1	Switch-Ignition	32	103-8528	1	Hopper Switch Actuator ASM
18	103-2106	1	Key-Exmark Logo	33	1-303335	4	Tie-Cable 7 15/16 (Large)
19	103-4161-03	1	Hold Down-Battery				
20	103-8355	1	Cable-Ground(-)				

● Obtain locally.

■ Not serviced separately

▲ Use dielectric grease on all unsealed connectors and terminals only. Do not apply in sealed connectors.

**Notes:**



**Notes:**

**Notes:**



# MAXIMIZE THE PERFORMANCE OF YOUR EXMARK MACHINE.



## EXMARK® PREMIUM ENGINE OIL

Exmark now offers a family of engine oil viscosities to perform well in any environment. Each viscosity has the same synthetic formulation to give you what you need in punishing conditions. We designed each grade to the highest quality, making it ideal even for diesel applications. Coupled with Exmark Premium Fuel Treatment, we have the performance products to make your machine hum.

### EXMARK PREMIUM ENGINE OIL SAE 30/10W-30

- Meets zero shear requirements of a straight grade SAE 30 as well as the cold temp properties of a 10W-30.
- Most versatile oil in the industry.
- Superior corrosion protection over conventional oil - even in corrosive, humid environments.

### EXMARK PREMIUM ENGINE OIL SAE 20W-50

- Perfect for your big block engine, or any application in severe service.
- Same full synthetic formulation as all other Exmark Premium viscosities.
- Also effective for use in severe service small block engines.

### EXMARK PREMIUM ENGINE OIL SAE 10W-50

- Full synthetic formulation gives you peak performance. Don't settle for less.
- Wide span multi-grade combines easy starting in cold weather with maximum protection in high temperature operation.
- Reduce friction & wear over standard mineral formulations.

### EXMARK PREMIUM ENGINE OIL SAE 0W-40

- The perfect choice for when the weather turns cold or unpredictable, and your Exmark UTV has to perform.
- Commercial quality for severe service.
- Advanced additive package helps prevent corrosion from long-term storage.

### EXMARK PREMIUM ENGINE OIL UTV FORMULATION

- 4-cycle high-temp formulation.
- Heavier viscosity, full synthetic, perfect for your UTV.

### EXMARK PREMIUM UTV EXTREME CONDITIONS GEAR OIL

- SAE 80W-90, designed to keep your UTV performing at its peak.
- Shear stable, hypoid gear lube.
- Includes a premium additive system to combat wear, oxidation, rust & corrosion.

**Available from your local Exmark dealer. Find your closest dealer at [exmark.com](http://exmark.com)**

## EXMARK ACCESSORIES AND OPTIONS\*

### MID-MOUNT RIDING ACCESSORIES AND OPTIONS

CUSTOM RIDE SEAT SUSPENSION SYSTEM	OPERATOR CONTROLLED DISCHARGE
FULL SUSPENSION SEAT	SUN SHADE
DECK LIFT ASSIST KIT	TRASH CONTAINER
HITCH KIT	TURF STRIPER
LIGHT KIT	ULTRA VAC COLLECTION SYSTEM
12V POWER PORT	ULTRA VAC QUICK DISPOSAL SYSTEM
MICRO-MULCH SYSTEM	

### OUT-FRONT RIDING ACCESSORIES AND OPTIONS

CUSTOM RIDE SEAT SUSPENSION SYSTEM	SNOW BLADE
DUAL-TAIL WHEEL	SNOWBLOWER
FLOOR PAN EXTENDER	SUN SHADE
HITCH KIT	TRASH CONTAINER
LIGHT KIT	ULTRA VAC COLLECTION SYSTEM
MICRO-MULCH SYSTEM	ULTRA VAC QUICK DISPOSAL SYSTEM
ROLL OVER PROTECTION SYSTEM (ROPS)	WEATHER CAB

### WALK-BEHIND ACCESSORIES AND OPTIONS

GRASS CATCHER	TURF STRIPER
MICRO-MULCH SYSTEM	STANDON

\*Some accessories and options not available for some models.

Place Model No. and Serial No.  
Label Here (Included in the Literature  
Pack) or Fill in Below

Model No. \_\_\_\_\_

Serial No. \_\_\_\_\_

Date Purchased \_\_\_\_\_

Engine Model No. and Spec. No. \_\_\_\_\_

Engine Serial No. (E/No) \_\_\_\_\_

© 2016 Exmark Mfg. Co., Inc.  
Industrial Park Box 808  
Beatrice, NE 68310  
All Rights Reserved

Part No. 4503-262 Rev. A  
(402) 223-6375  
Fax (402) 223-5489  
Printed in the USA.

