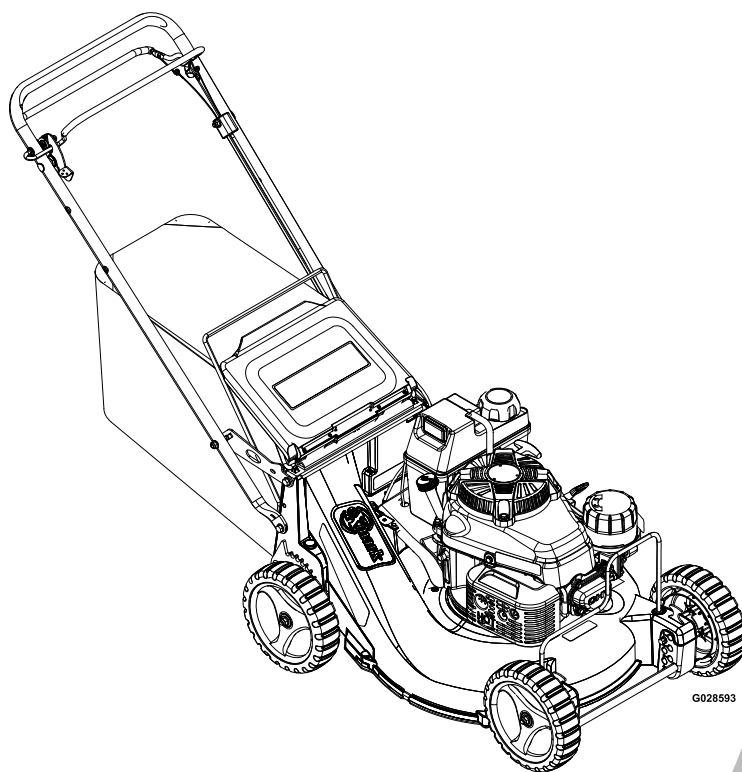




# COMMERCIAL 21

Model No. ECX180CKA210BC—Serial No. 40000000 and Up

Picture below may not reflect actual product.



# Parts Manual

Part No. 4503-230 Rev. A

# Ordering Replacement Parts

To order replacement parts, please supply the part number, the quantity, and the description of each part desired.

## Understanding Reference Numbers

Each identified part in an illustration has a reference number. The reference number for a part also appears in the parts list, along with other information about the part.

This catalog uses two special reference number formats, one to indicate parts in a service assembly and another to indicate the quantity of a given part in an illustration.

## Service Assembly Reference Numbers

Parts in service assemblies have reference numbers in the form a:b. The a represents the reference number of the entire service assembly and the b represents a sequential number unique to each part within the service assembly.

For example, a wheel assembly might be identified by reference number 6, the tire by 6:1, the valve by 6:2, and the wheel by 6:3. When you order the assembly identified by reference number 6, you receive all parts identified by reference numbers 6:1, 6:2, and 6:3. However, you may also order any part individually. Reference numbers of this type appear in illustration and in parts lists.

## Reference Numbers Indicating Quantity

In an illustration, if a reference number indicates more than one part, the reference number has the form nX y. The n represents the quantity of the part, the X is the multiplication symbol, and the y represents the reference number.

For example, in an illustration, the reference number 2X 37 means that two of the parts identified by reference number 37 are indicated.

# Touch Up Paint

Exmark black touch up spray paint – gloss black.

Exmark red touch up paint (spray paint – P/N 1-850337 - .6 oz liquid bottle – P/N 103-9140).

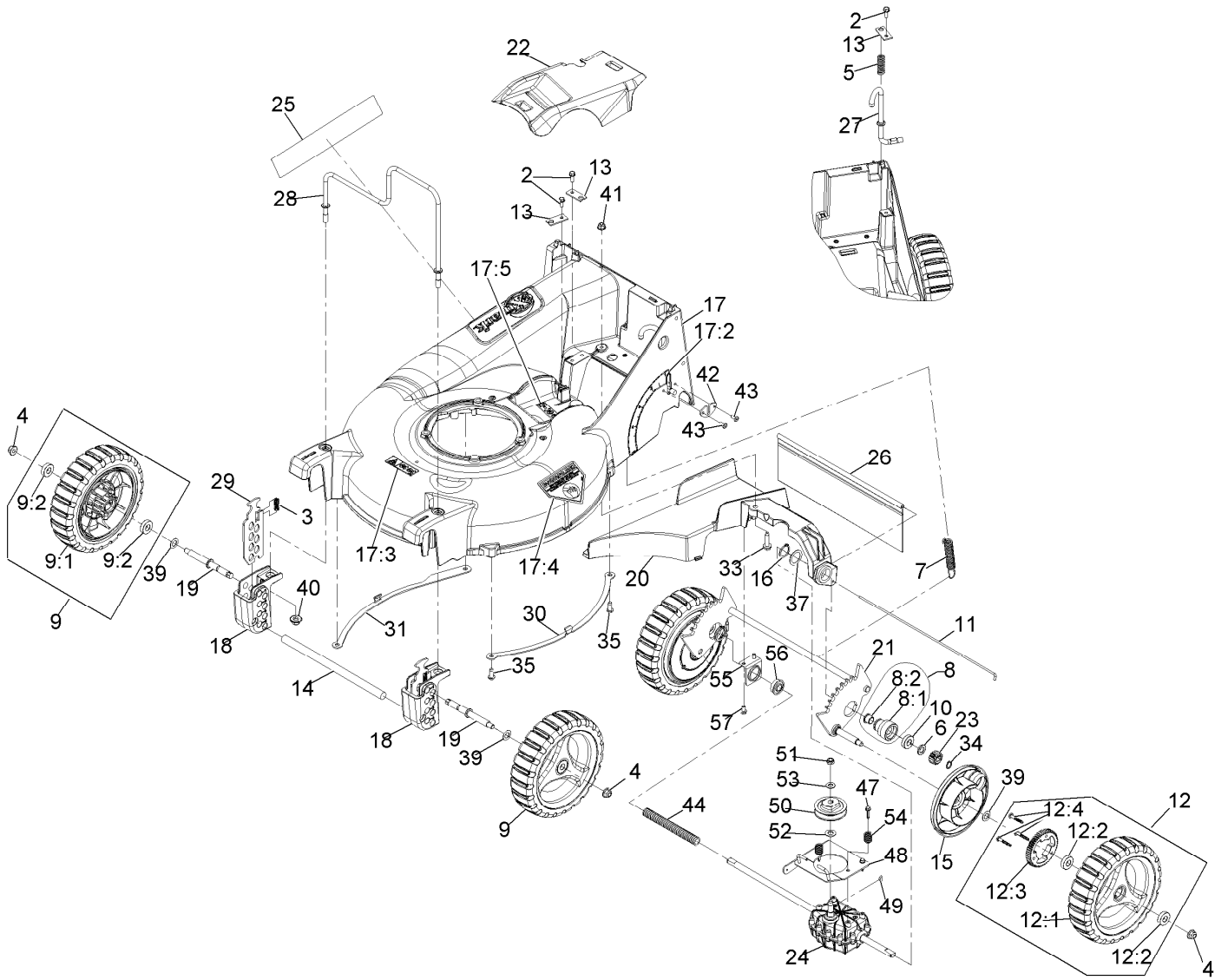


If your Exmark dealer does not have the Exmark part in stock, Exmark will get the parts to the dealer the next business day or the part will be FREE Guaranteed!! (Some restrictions apply. See your participating Exmark Dealer for details.)

## Contents

Drive and Wheel Assembly .....	4
Handle Assembly .....	6
Bag and Door Assembly .....	8
Blade Assembly .....	10
Engine Assembly .....	12

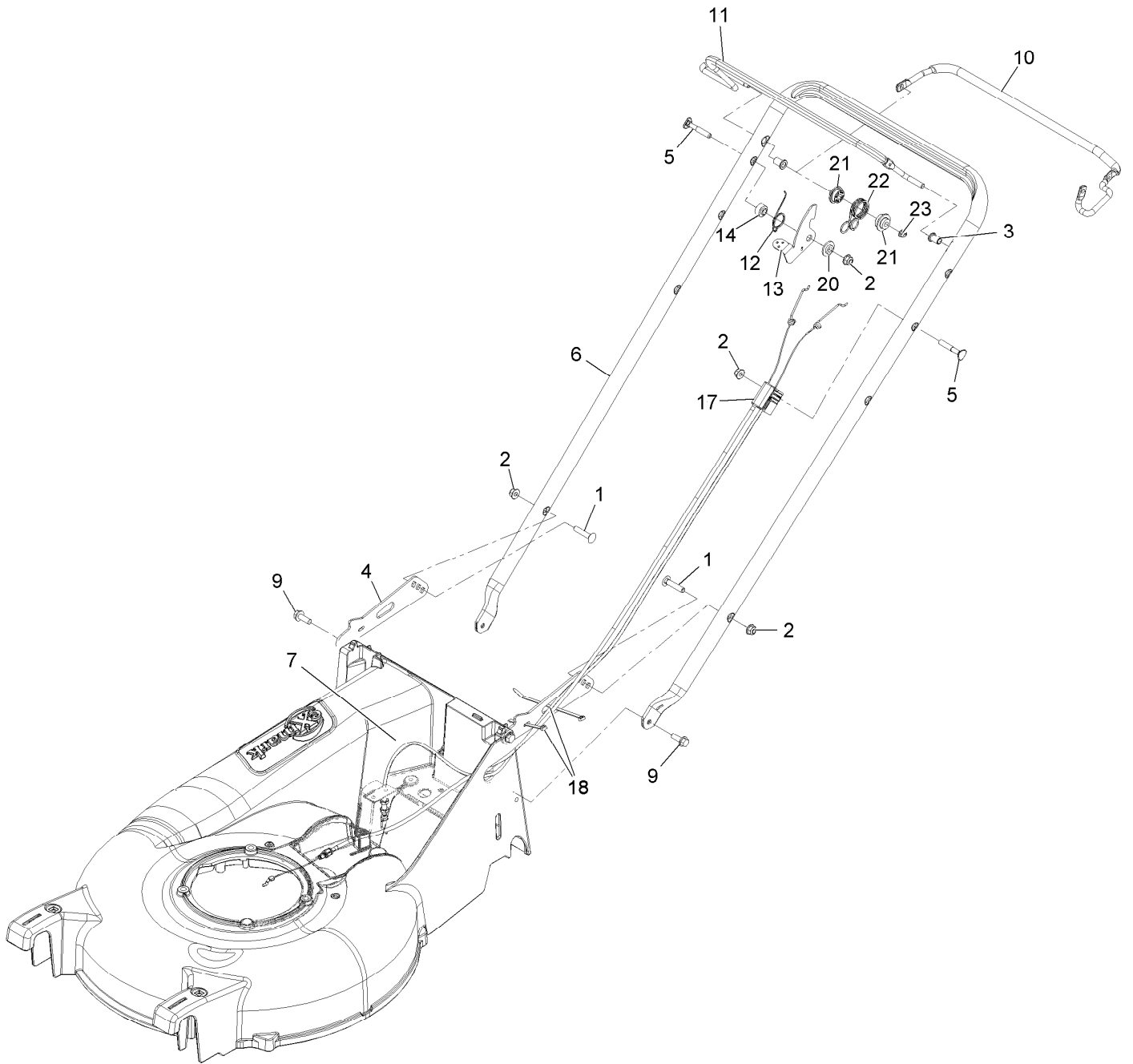
# Drive and Wheel Assembly



## Drive and Wheel Assembly (continued)

<i>Ref.</i>	<i>Part Number</i>	<i>Qty.</i>	<i>Description</i>	<i>Ref.</i>	<i>Part Number</i>	<i>Qty.</i>	<i>Description</i>
2	32144-85	3	Screw-HWH 1/4-20 X .62	22	109-9324	1	Cover,Belt
3	109-7258	2	Spring-Compression	23	131-5399	2	Gear-Pinion, 15T
4	104-8301	4	Nut-Nyloc 3/8-16 Flg	24	116-9906	1	Transmission-HD, 4.5/1
5	109-7694	1	Spring-Compression	25	126-6886	1	Decal-Comm 21 X-Series
6	108-5059	2	Spacer-Bushing	26	116-0252	1	Shield-Trailing P21
7	109-7692	1	Spring-Extension	27	116-0329	1	Rod-Height Adj P21
8	116-6172	2	Housing ASM	28	116-0522	1	Guard,Engine
8:1	116-6171	1	Housing-Bearing	29	109-9292	2	Plate, Front Height
8:2	116-4279	1	Bearing-Flange	30	116-0995-03	1	Skid,LH
9	126-7347	2	Wheel ASM, 9" W/Bearings	31	116-0996-03	1	Skid,RH
9:1	126-7345	1	Wheel ASM, 9"	33	32144-49	1	Screw-HWH 5/16-18 1 1/4 Tf
9:2	133-2603	2	Bearing-Ball	34	32151-61	2	Ring-Retaining
10	109-8020	2	Bearing-Ball	35	613381	4	Screw-Button Head 5/16-18 X .725 Tf
11	109-8025	1	Rod,Shield	37	74-1810	2	Washer
12	126-7758	2	Wheel ASM, 9 W/Gear	39	36-4780	4	Washer
12:1	126-7345	1	Wheel ASM, 9"	40	109-6658	2	Nut-Nyloc 3/8-16 Flg
12:2	133-2603	2	Bearing-Ball	41	104-8300	1	Nut-Nyloc 5/16-18 Flg
12:3	133-2625	1	Gear-Wheel, 52T	42	116-2221	1	Plate,Wear
12:4	130-6426	3	Stud-Drive	43	114439	2	Rivet
13	109-8441	3	Bracket,Mount	44	126-2335	1	Cover-Shaft-Drive
14	109-8454	1	Rod,Bumper	47	27-0220	3	Screw-Special
15	126-8259	2	Cover,Gear	48	116-3539-03	1	Transmission Plate ASM
16	32151-36	2	Ring-Retaining	49	3257-1	1	Key-Woodruff 1/8 X 1/2
17	116-2006	1	Deck W/Decals	50	39-6740	1	Pulley
17:2	116-1922	1	Decal-Height Of Cut	51	3296-5	1	Nut-Nyloc 3/8-24 Thin
17:3	130-9670	1	Decal-Warning, Blade	52	36-4792	1	Washer-Thrust
17:4	94-8072	1	Decal-Danger	53	3256-45	1	Washer-Flat
17:5	119-0217	1	Decal-Danger	54	116-1438	2	Spring,Compression
18	109-9302	2	Block,Front Quadrant	55	120-7008	1	Mount-Bearing
19	116-0994	2	Axle-Wheel	56	104-8699	1	Bearing-Ball
20	116-9646-01	1	Bracket-Transmission And Chute	57	9266714	2	Screw-HWH 1/4-20 X .50
21	109-9312	1	Wld,Rear Axle P21				

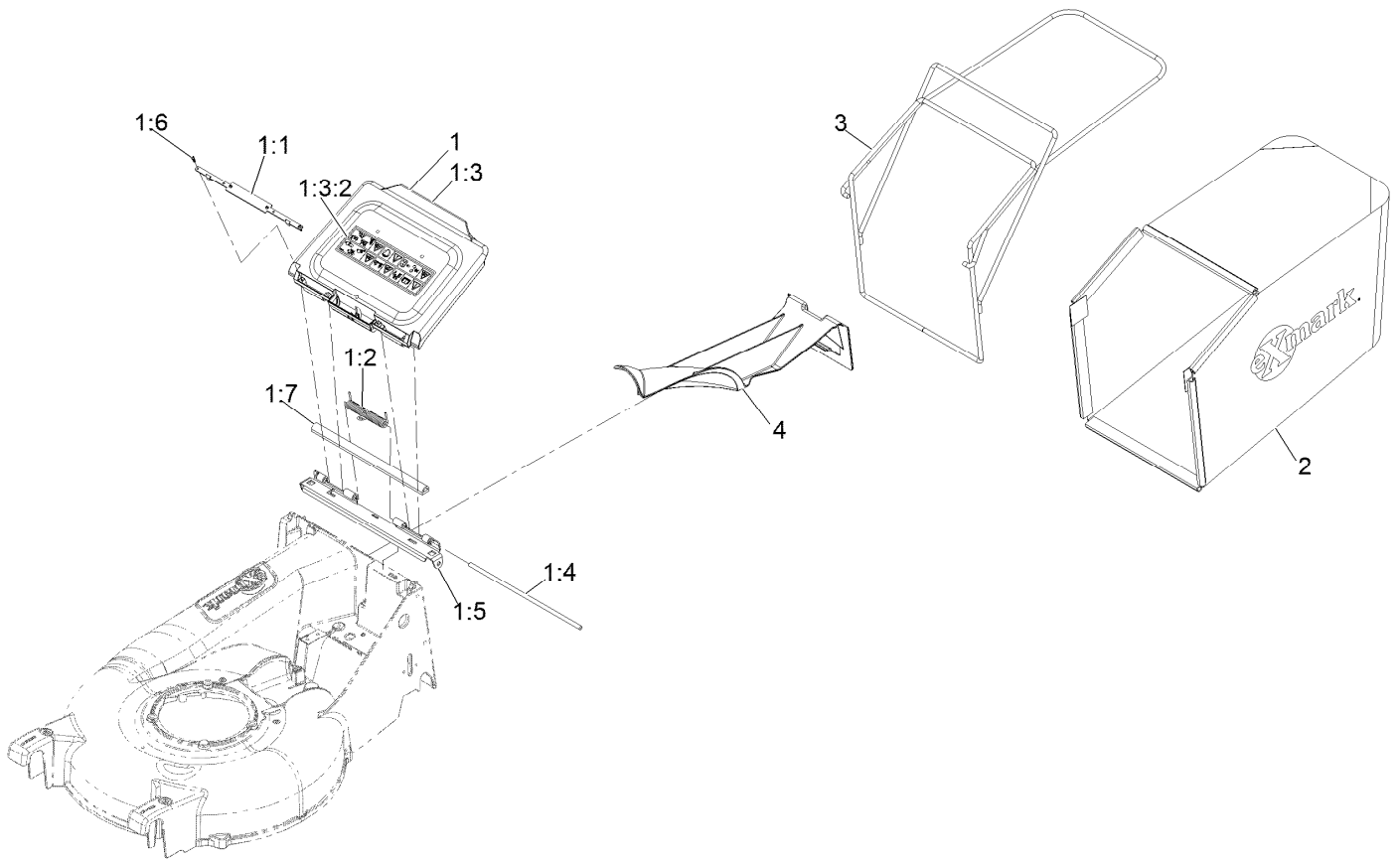
# Handle Assembly



## Handle Assembly (continued)

<i>Ref.</i>	<i>Part Number</i>	<i>Qty.</i>	<i>Description</i>	<i>Ref.</i>	<i>Part Number</i>	<i>Qty.</i>	<i>Description</i>
1	33-5790	2	Bolt-Carriage 5/16-18 X 1 1/2	11	109-8442	1	Bail
2	104-8300	4	Nut-Nyloc 5/16-18 Flg	12	109-9318	1	Spring-Lever, BBC
3	116-1478	2	Bushing-Handlebar	13	116-2998	1	Lever-BBC
4	109-9323-03	2	Bracket,Handlebar	14	116-2690	1	Bushing-Stepped
5	112-8876	2	Bolt-Carriage 5/16-18 X 2	17	116-0901	1	Cable-BBC
6	116-0119-03	1	Handlebar-P21	18	614249	2	Tie-Cable
7	126-7397	1	Cable, Drive Ec21	20	105-3006	1	Washer-Stepped
9	32144-41	4	Screw-HWH 3/8-16 X 7/8 Taptite	21	109-8457	2	Bushing-Spring, Pivot
10	116-7907	1	Bail-Drive Coated	22	109-9293	1	Spring,BBC Return
				23	104-7201	1	Nut-Nyloc 1/4-20 Flg

# Bag and Door Assembly

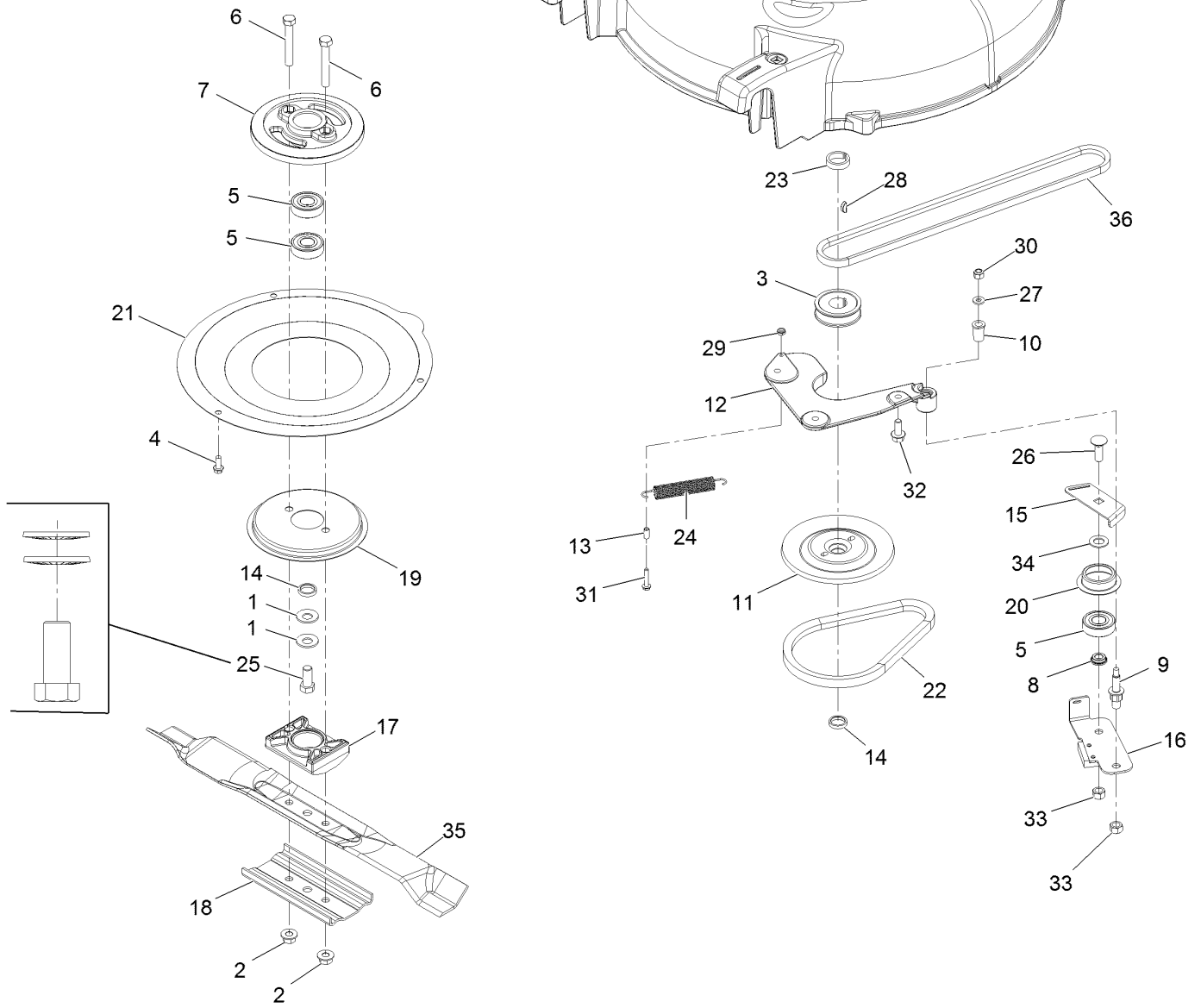
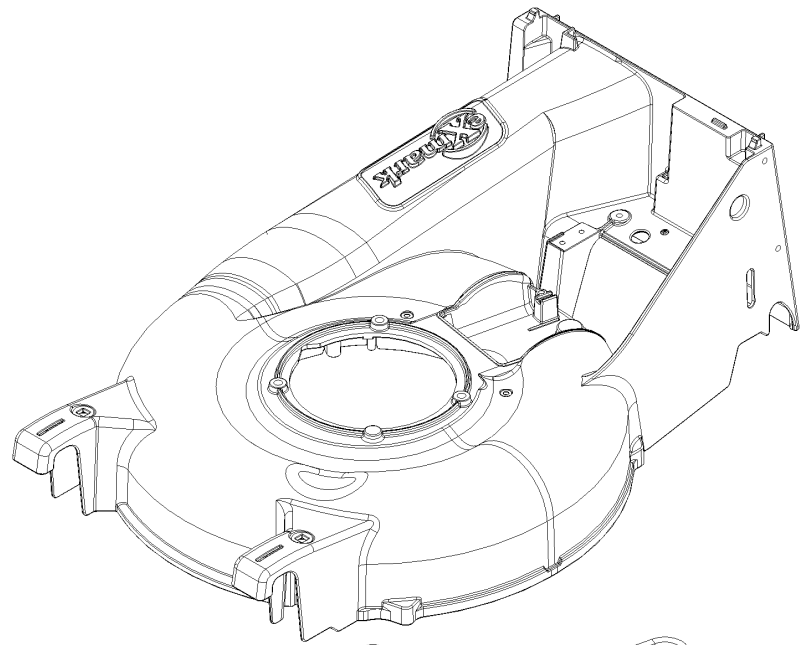




## Bag and Door Assembly (continued)

<i>Ref.</i>	<i>Part Number</i>	<i>Qty.</i>	<i>Description</i>	<i>Ref.</i>	<i>Part Number</i>	<i>Qty.</i>	<i>Description</i>
1	126-6086	1	Door ASM	1:6	363-1596	4	Scr,TAP,6-19X7/16,Phph, Stl, Rohs
1:1	126-2628-03	1	Plate, Door Cover	1:7	126-5438	1	Seal-Epdm Foam Bulb
1:2	126-2627	1	Spring-Plastic Door	2	126-2630	1	Bag-21 Grass
1:3	126-4200	1	ASM-Door & Decal	3	126-2631-03	1	Wld-Bag Frame
1:3:2	116-7583	1	Decal-Warning	4	116-0251	1	Plug,Mulch
1:4	126-2635	1	Pin-Door Pivot				
1:5	126-2636-03	1	Bracket-Door Pivot				

# Blade Assembly

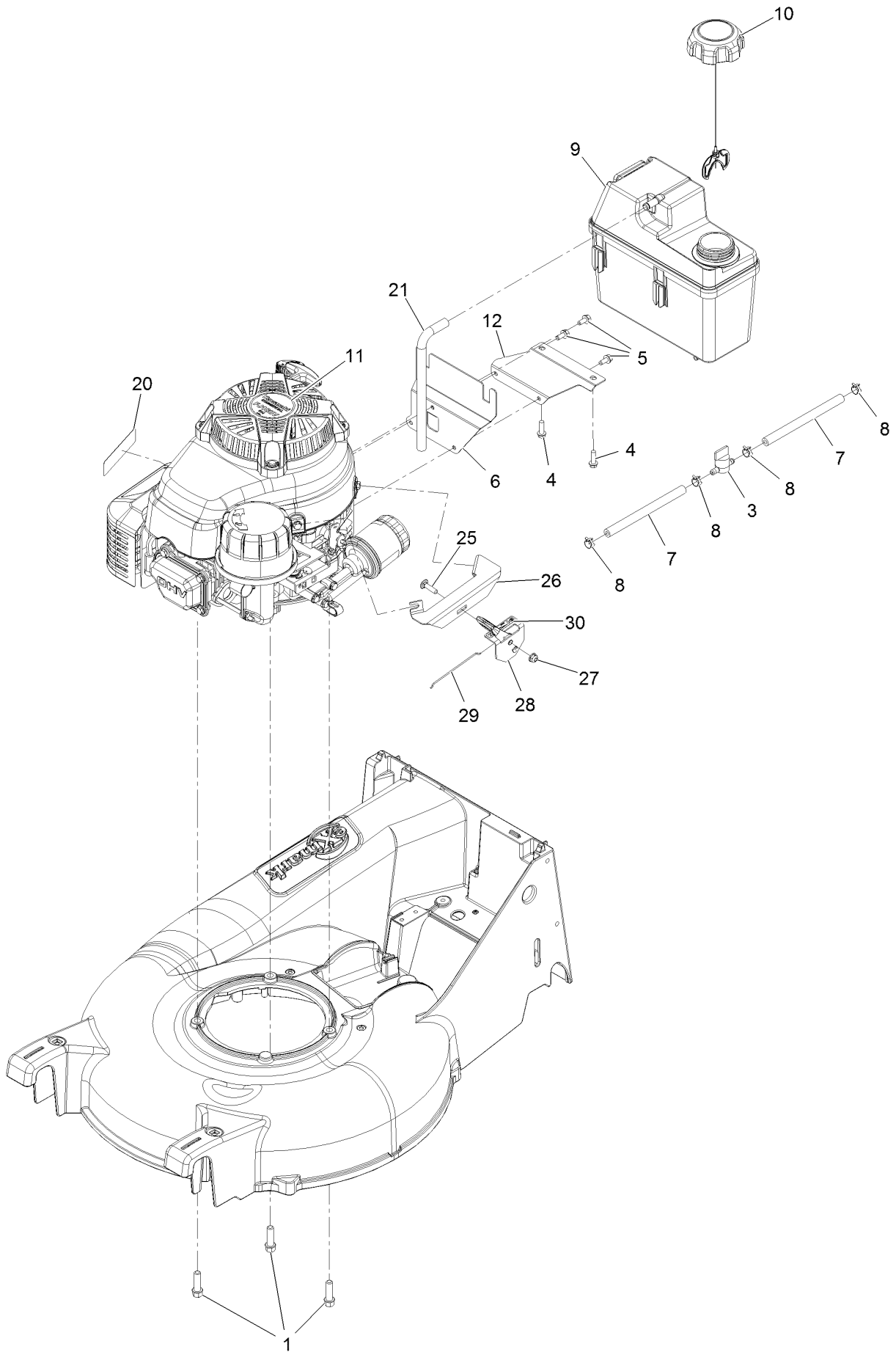


## Blade Assembly (continued)

<i>Ref.</i>	<i>Part Number</i>	<i>Qty.</i>	<i>Description</i>	<i>Ref.</i>	<i>Part Number</i>	<i>Qty.</i>	<i>Description</i>
1	1-603610	2	Washer-Spring Disc 7/16	20	108-3790	1	Retainer-Belt
2	127-6852	2	Nut-Flange, Lock	21	116-3360-03	1	Cover-BBC
3	56-6180	1	Pulley-Driver	22	110-1790	1	Belt-BBC
4	32144-85	3	Screw-HWH 1/4-20 X .62	23	110-2142	1	Spacer-Pulley
5	38-7820	3	Bearing-Ball	24	115-4471	1	Spring-Extension
6	3211-42	2	Screw-HH 3/8-24 X 2 1/2	25	3212-4	1	Screw-HH 7/16-20 X 1 ●
7	126-8108	1	Drum	26	3231-38	1	Bolt-Carriage 3/8-16 X 1 1/4
8	107-0758	1	Spacer-Bearing	27	3256-16	1	Washer-#12 Std
9	107-0759	1	Bolt-Shoulder	28	3257-3	1	Key-Woodruff
10	107-0797	1	Bushing	29	3296-27	1	Nut-Lock #10-32
11	107-4277-03	1	Pulley-Driver, Upper	30	3296-42	1	Nut-Nyloc 1/4-20
12	116-3572	1	Plate-Mounting, BBC	31	32144-9	1	Screw-HWH #10-32 X 1 Taptite
13	107-4292	1	Spacer-BBC	32	33104-020	3	Screw-HH M8-1.25 X 20Mm ●
14	107-4293	2	Spacer-Plate, BBC	33	125-5069	2	Nut-Hex
15	107-7471	1	Plate-Guide	34	605256	1	Washer-Plain
16	125-1063	1	Plate-Brake	35	135-0413	1	Blade - Medium Lift, 20.5
17	107-7487	1	Support-Blade	36	109-7299	1	Belt,3L P21 Drive
18	108-3766-03	1	Support-Blade				
19	108-3787	1	Disc				

● Use Pro-Lock, Nut Type (P/N 1-840022, .5ml tube) on threads.

# Engine Assembly



## Engine Assembly (continued)

<i>Ref.</i>	<i>Part Number</i>	<i>Qty.</i>	<i>Description</i>	<i>Ref.</i>	<i>Part Number</i>	<i>Qty.</i>	<i>Description</i>
1	95-1727	3	Screw-HWH 3/8-16 X 1 1/4 Taptite	11	109-6528	1	Decal-Recoil
3	1-603770	1	Valve-Fuel	12	125-8382-03	1	Bracket-Tank, Support
4	46-8091	2	Screw-HWH 1/4-10 X .82 Plastite	20	117-2718	1	Decal-Arrester, Spark
5	125-8383	3	Screw-HWH	21	115-0962	1	Hose-Vent, Canister
6	125-8381-03	1	Bracket-Tank, Mounting	25	3229-30	1	Bolt-Carriage 1/4-20 X 1
7	107-0588	2	Hose-Fuel	26	130-6440-03	1	Bracket-Mount, Throttle
8	2412-98	4	Clamp-Hose	27	104-7201	1	Nut-Nyloc 1/4-20 Flg
9	114-0280	1	Tank-Fuel	28	130-9655	1	Control-Throttle
10	115-7788	1	Cap-Fuel	29	130-9654	1	Wire-Control
				30	130-9656	1	Decal-Throttle, Choke

**Notes:**



# MAXIMIZE THE PERFORMANCE OF YOUR EXMARK MACHINE.



## EXMARK® PREMIUM ENGINE OIL

Exmark now offers a family of engine oil viscosities to perform well in any environment. Each viscosity has the same synthetic formulation to give you what you need in punishing conditions. We designed each grade to the highest quality, making it ideal even for diesel applications. Coupled with Exmark Premium Fuel Treatment, we have the performance products to make your machine hum.

### EXMARK PREMIUM ENGINE OIL SAE 30/10W-30

- Meets zero shear requirements of a straight grade SAE 30 as well as the cold temp properties of a 10W-30.
- Most versatile oil in the industry.
- Superior corrosion protection over conventional oil - even in corrosive, humid environments.

### EXMARK PREMIUM ENGINE OIL SAE 20W-50

- Perfect for your big block engine, or any application in severe service.
- Same full synthetic formulation as all other Exmark Premium viscosities.
- Also effective for use in severe service small block engines.

### EXMARK PREMIUM ENGINE OIL SAE 10W-50

- Full synthetic formulation gives you peak performance. Don't settle for less.
- Wide span multi-grade combines easy starting in cold weather with maximum protection in high temperature operation.
- Reduce friction & wear over standard mineral formulations.

### EXMARK PREMIUM ENGINE OIL SAE 0W-40

- The perfect choice for when the weather turns cold or unpredictable, and your Exmark UTV has to perform.
- Commercial quality for severe service.
- Advanced additive package helps prevent corrosion from long-term storage.

### EXMARK PREMIUM ENGINE OIL UTV FORMULATION

- 4-cycle high-temp formulation.
- Heavier viscosity, full synthetic, perfect for your UTV.

### EXMARK PREMIUM UTV EXTREME CONDITIONS GEAR OIL

- SAE 80W-90, designed to keep your UTV performing at its peak.
- Shear stable, hypoid gear lube.
- Includes a premium additive system to combat wear, oxidation, rust & corrosion.

*Available from your local Exmark dealer. Find your closest dealer at [exmark.com](http://exmark.com)*

## EXMARK ACCESSORIES AND OPTIONS\*

### MID-MOUNT RIDING ACCESSORIES AND OPTIONS

CUSTOM RIDE SEAT SUSPENSION SYSTEM	OPERATOR CONTROLLED DISCHARGE
FULL SUSPENSION SEAT	SUN SHADE
DECK LIFT ASSIST KIT	TRASH CONTAINER
HITCH KIT	TURF STRIPER
LIGHT KIT	ULTRA VAC COLLECTION SYSTEM
12V POWER PORT	ULTRA VAC QUICK DISPOSAL SYSTEM
MICRO-MULCH SYSTEM	

### OUT-FRONT RIDING ACCESSORIES AND OPTIONS

CUSTOM RIDE SEAT SUSPENSION SYSTEM	SNOW BLADE
DUAL-TAIL WHEEL	SNOWBLOWER
FLOOR PAN EXTENDER	SUN SHADE
HITCH KIT	TRASH CONTAINER
LIGHT KIT	ULTRA VAC COLLECTION SYSTEM
MICRO-MULCH SYSTEM	ULTRA VAC QUICK DISPOSAL SYSTEM
ROLL OVER PROTECTION SYSTEM (ROPS)	WEATHER CAB

### WALK-BEHIND ACCESSORIES AND OPTIONS

GRASS CATCHER	TURF STRIPER
MICRO-MULCH SYSTEM	STANDON

\*Some accessories and options not available for some models.

Place Model No. and Serial No.  
Label Here (Included in the Literature  
Pack) or Fill in Below

Model No. \_\_\_\_\_

Serial No. \_\_\_\_\_

Date Purchased \_\_\_\_\_

Engine Model No. and Spec. No. \_\_\_\_\_

Engine Serial No. (E/No) \_\_\_\_\_

© 2016 Exmark Mfg. Co., Inc.  
Industrial Park Box 808  
Beatrice, NE 68310  
All Rights Reserved

Part No. 4503-230 Rev. A  
(402) 223-6375  
Fax (402) 223-5489  
Printed in the USA.

