



LAZER Z[®] X-SERIES

Model No. LZX801GKA606C1—Serial No. 40000000 and Up

Picture below may not reflect actual product.



Parts Manual

Part No. 4503-177 Rev. A

Ordering Replacement Parts

To order replacement parts, please supply the part number, the quantity, and the description of each part desired.

Understanding Reference Numbers

Each identified part in an illustration has a reference number. The reference number for a part also appears in the parts list, along with other information about the part.

This catalog uses two special reference number formats, one to indicate parts in a service assembly and another to indicate the quantity of a given part in an illustration.

Service Assembly Reference Numbers

Parts in service assemblies have reference numbers in the form a:b. The a represents the reference number of the entire service assembly and the b represents a sequential number unique to each part within the service assembly.

For example, a wheel assembly might be identified by reference number 6, the tire by 6:1, the valve by 6:2, and the wheel by 6:3. When you order the assembly identified by reference number 6, you receive all parts identified by reference numbers 6:1, 6:2, and 6:3. However, you may also order any part individually. Reference numbers of this type appear in illustration and in parts lists.

Reference Numbers Indicating Quantity

In an illustration, if a reference number indicates more than one part, the reference number has the form nX y. The n represents the quantity of the part, the X is the multiplication symbol, and the y represents the reference number.

For example, in an illustration, the reference number 2X 37 means that two of the parts identified by reference number 37 are indicated.

Touch Up Paint

Exmark black touch up spray paint – gloss black.

Exmark red touch up paint (spray paint – P/N 1-850337 - .6 oz liquid bottle – P/N 103-9140).

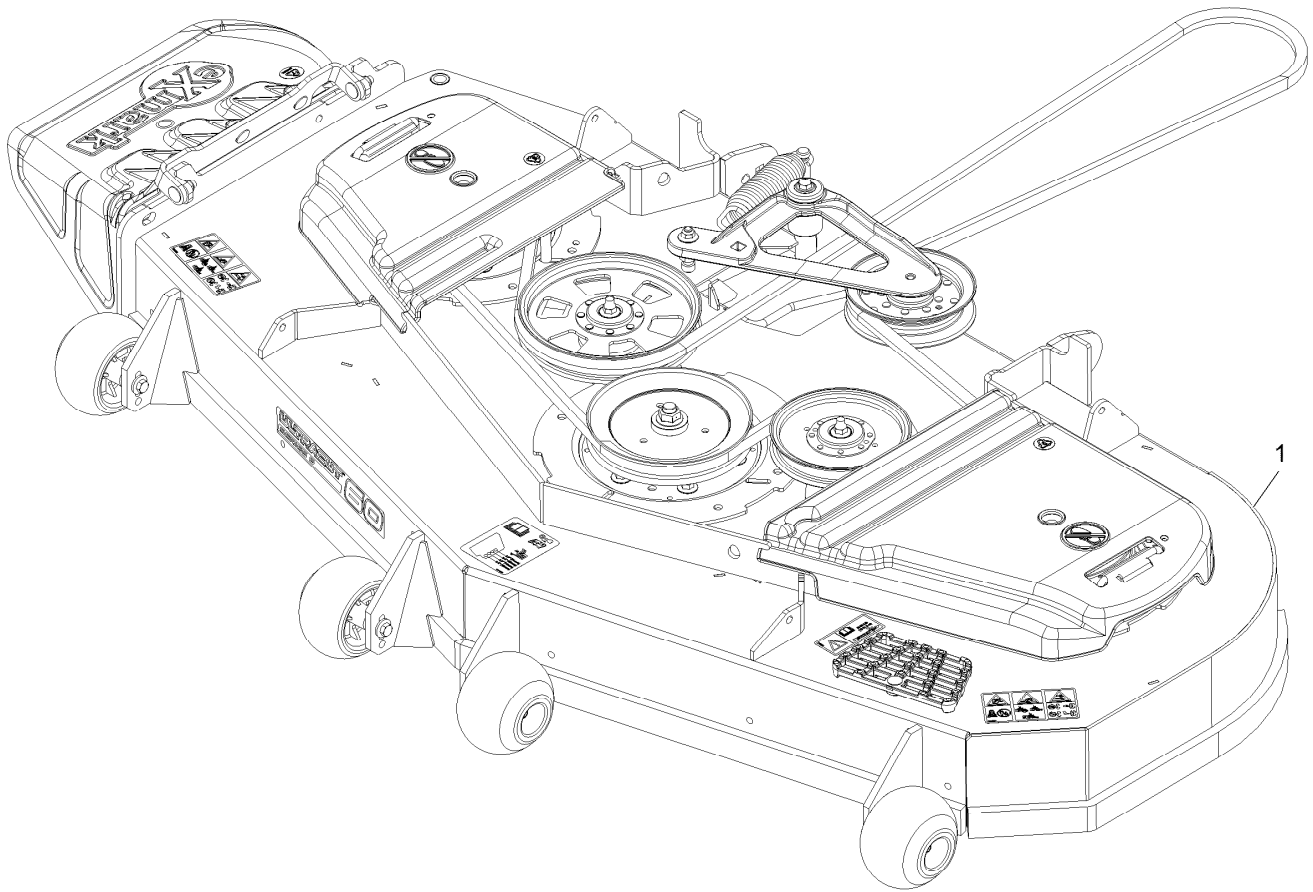


If your Exmark dealer does not have the Exmark part in stock, Exmark will get the parts to the dealer the next business day or the part will be FREE Guaranteed!! (Some restrictions apply. See your participating Exmark Dealer for details.)

Contents

Complete Deck Assembly.....	4
Deck Assembly.....	6
Deck W/Decals Assembly No. 116-4232.....	8
Idler Assembly.....	10
Cutter Housing Assembly No. 103-9539.....	12
Mainframe Assembly.....	14
Roll-Over Protection System Assembly No. 116-0230.....	16
Caster Wheel and Fork Assembly.....	18
Deck Lift Assembly.....	20
Height-of-Cut Assembly No. 109-7438.....	22
Park Brake Assembly.....	24
Controls Assembly.....	26
Motion Controls Assembly.....	28
Seat Mount Assembly.....	30
Seat Assembly.....	32
Seat W/Tracks Assembly No. 126-5801.....	34
Suspension Platform Assembly (cont.).....	36
Fuel Assembly.....	38
Fuel Tank Assembly.....	40
Engine, Muffler and Clutch Assembly.....	42
Hydraulic Assembly.....	44
LH Hydro Assembly No. 126-1325.....	46
RH Hydro Assembly No. 126-1326.....	48
Pump Idler Assembly No. 116-1255.....	50
Electrical Assembly.....	52

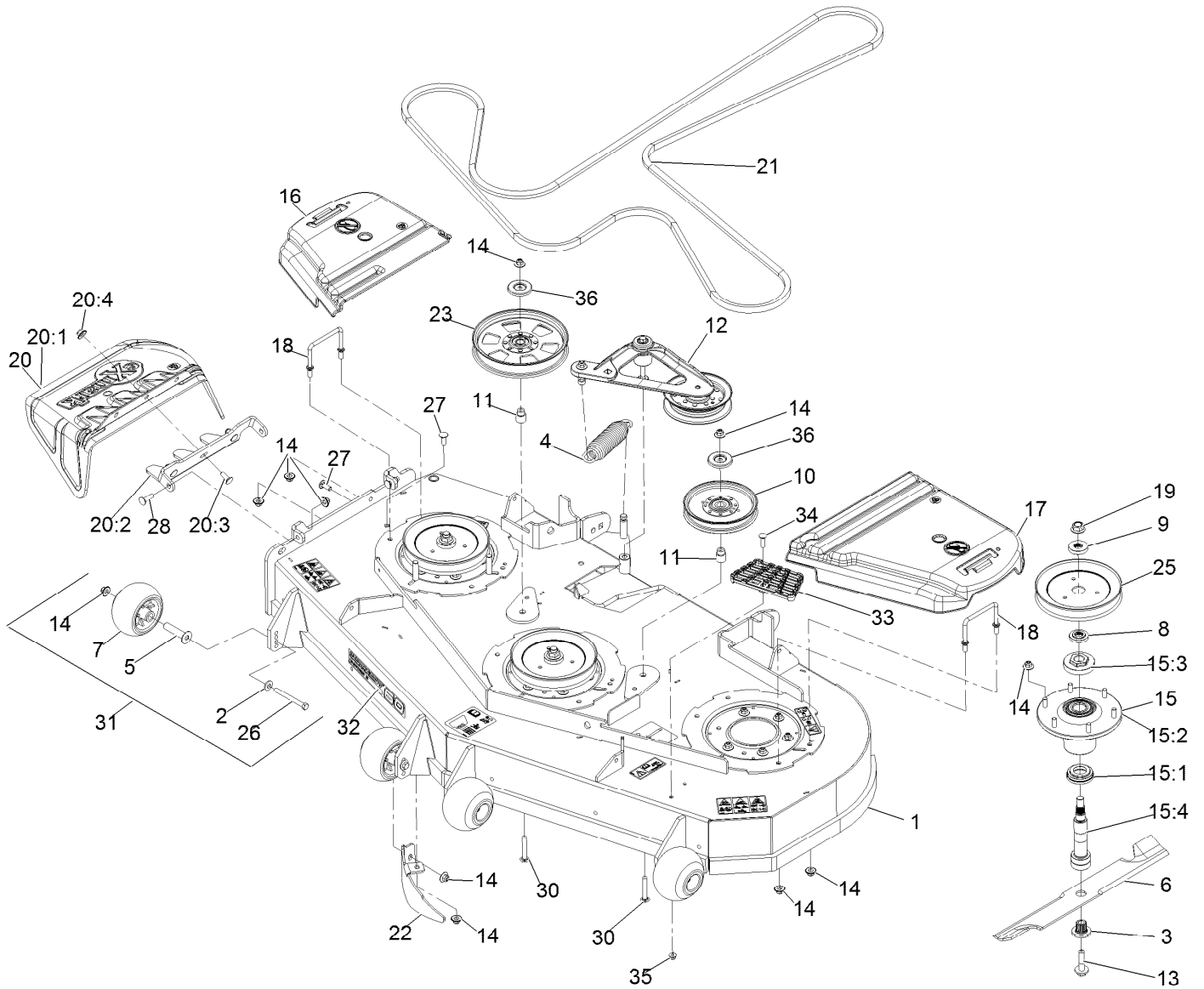
Complete Deck Assembly



Complete Deck Assembly (continued)

<i>Ref.</i>	<i>Part Number</i>	<i>Qty.</i>	<i>Description</i>
1	109-9647	1	ASM,Deck Complete 606

Deck Assembly



Deck Assembly (continued)

<i>Ref.</i>	<i>Part Number</i>	<i>Qty.</i>	<i>Description</i>	<i>Ref.</i>	<i>Part Number</i>	<i>Qty.</i>	<i>Description</i>
1	116-4232	1	Deck ASM,W/Decals 60	17	109-6938	1	Cover-Belt, LH
2	98-5975	4	Washer-Spring Disc 3/8	18	109-6982	2	Wireform-Cover
3	103-3037	3	Bushing, Splined	19	109-7033	3	Nut-Flange 5/8-18 Centerlock ▲
4	116-6317	1	Spring-Extension	20	109-7188	1	ASM,Discharge Chute
5	116-8131	4	Axle, Roller	20:1	109-2738	1	Chute, Discharge
6	103-6383	3	Blade, Solid ●	20:2	109-8675-01	1	Bracket,Discharge Chute
6	103-6388	3	Blade, Low Lift ●	20:3	3231-22	3	Bolt-Carriage 3/8-16 X 1
6	103-6393	3	Blade, Mulching □	20:4	109-6658	3	Nut-Nyloc 3/8-16 Flg
6	103-6403	3	Blade, Notched	21	109-8073	1	Belt,V-5V-198.75
6	116-5174	3	Blade-Extreme 2, 20.50" ●	22	116-5614-01	1	Dogleg - Lz60
7	103-8415	4	Roller-Anti-Scalp	23	116-9639	1	Pulley-Idler, Flat
8	103-9522	3	Spacer, Splined Stepped	25	109-9511	3	Sheave,Blade Drive 7.25
9	103-9523	3	Spacer, Splined	26	116-9362	4	Screw-HH 3/8-16 X 3 3/4 GR 8
10	126-7685	1	Idler-Pulley, Flat 6.00X0.75	27	3231-22	2	Bolt-Carriage 3/8-16 X 1
11	1-633456	2	Bushing, Idler	28	3231-28	2	Bolt-Carriage 3/8-16 X 1 1/4
12	116-3755	1	Deck Idler ASM	30	3231-44	2	Bolt-Carriage 3/8-16 X 2 1/2
13	109-9220	3	Screw-Sems 1/2-20 X 2.19 ■	31	116-9981	4	Kit, Anti-Scalp Roller
14	109-6658	32	Nut-Nyloc 3/8-16 Flg	32	126-6592	1	Decal, 606
15	109-6917	3	ASM,Spindle Housing	33	126-4781-03	1	Step-Deck
15:1	103-9504	1	Guard, Bottom	34	3230-3	1	Bolt-Carriage 5/16-18 X 1 1/4
15:2	103-9539	1	Asm, Cutter Housing	35	104-8300	1	Nut-Nyloc 5/16-18 Flg
15:3	109-0916	1	Nut, Spindle 7/8-14 ◆	36	126-8043	2	Shield-Dust
15:4	109-6881	1	Spindle,Double Spline ○				
16	116-0094	1	Cover-Belt, RH				

● Optional Equipment

▲ Torque to 90-110 ft-lb

□ Requires installation of mulch kit for proper mulching. See your Exmark dealer for details.

○ Apply Mobil HTS grease (P/N 103-5217 1.5 oz packet) (or a food-grade anti-seize). See operator s manual for locations.

▶ Apply lubricant to threads as needed to prevent seizing. Copper based anti-seize preferable. Grease is an acceptable substitute.

■ Torque to 55-60 ft-lb

◆ Torque to 160-185 ft-lb

Deck W/Decals Assembly No. 116-4232



Deck W/Decals Assembly No. 116-4232 (continued)

<i>Ref.</i>	<i>Part Number</i>	<i>Qty.</i>	<i>Description</i>	<i>Ref.</i>	<i>Part Number</i>	<i>Qty.</i>	<i>Description</i>
3	126-6464	2	Decal-Danger Thrown Objects	8	116-3755	1	Deck Idler ASM
4	109-6036	1	Decal-Roller, Anti-Scalp	9	126-4781-03	1	Step-Deck
5	112-9028	2	Decal-Missing, Cover	10	3230-3	1	Bolt-Carriage 5/16-18 X 1 1/4
6	116-8283	1	Decal-Bolt Torque	11	104-8300	1	Nut-Nyloc 5/16-18 Flg
7	116-8727	1	Decal-Belt Routing				

Idler Assembly



Idler Assembly (continued)

<i>Ref.</i>	<i>Part Number</i>	<i>Qty.</i>	<i>Description</i>	<i>Ref.</i>	<i>Part Number</i>	<i>Qty.</i>	<i>Description</i>
1	43-0940	1	Spacer	9	126-0423	1	Pin-Spring, Anchor
2	103-2916	1	Guard-Top	10	109-6658	2	Nut-Flange, NI
3	103-3504	2	Bearing-Spherical	11	109-7409	1	Screw-Shoulder, HH
4	103-3505	1	Seal-Double Lip	12	323-8	1	Screw-HH
5	103-3506	1	Seal-Lip, Single	13	32120-10	2	Ring-Snap
6	126-9196	1	Idler-Pulley, Flat	14	302-19	1	Fitting-Grease
7	106-7159	2	O-Ring	15	126-9195	1	Shield-Guard, Dust

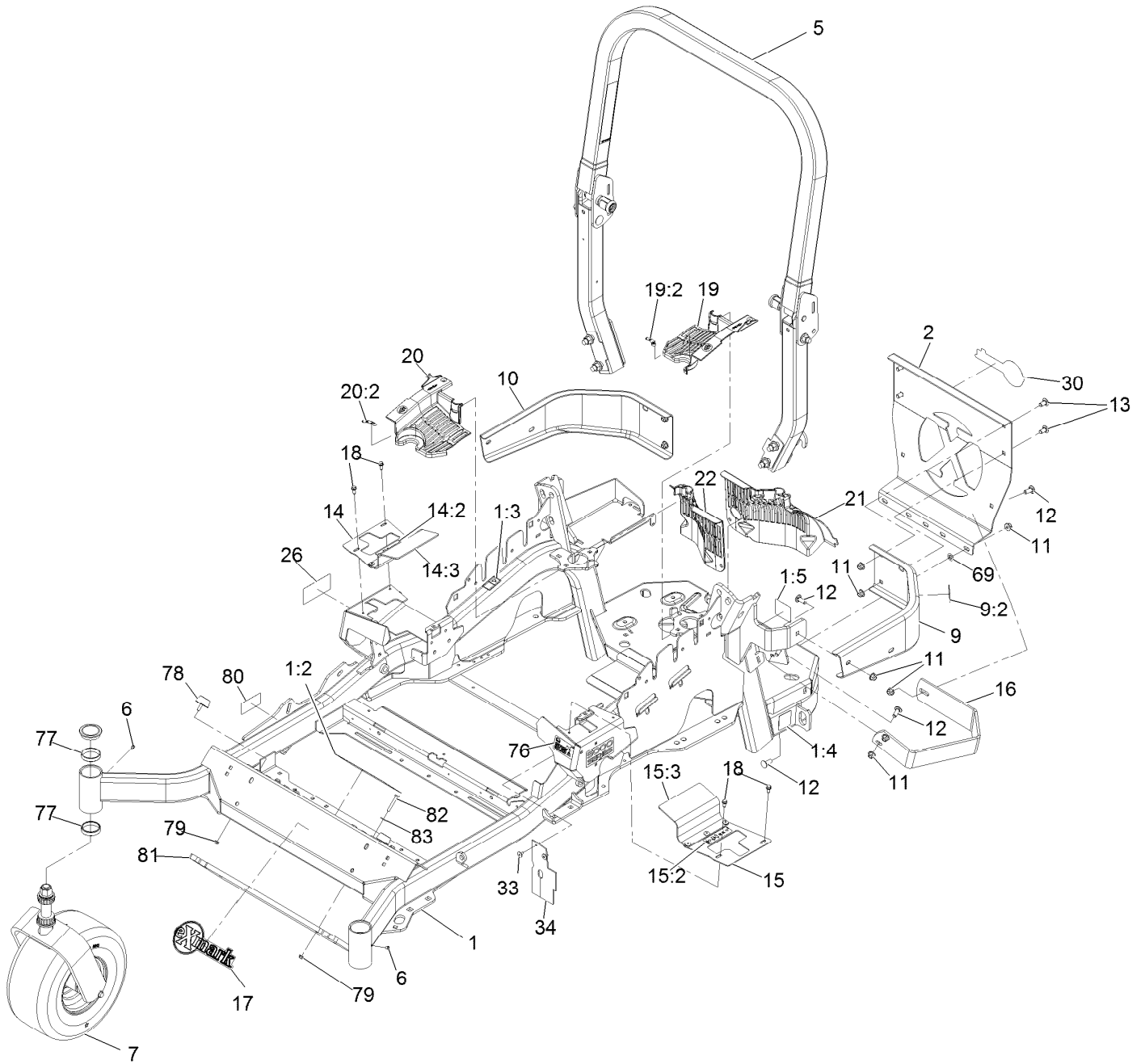
Cutter Housing Assembly No. 103-9539



Cutter Housing Assembly No. 103-9539 (continued)

<i>Ref.</i>	<i>Part Number</i>	<i>Qty.</i>	<i>Description</i>	<i>Ref.</i>	<i>Part Number</i>	<i>Qty.</i>	<i>Description</i>
1	92-5581	1	Ring-Retaining	4	103-9506	1	Spacer, Bearing
2	109-2064	1	Asm, Bearing W/O-Rings	5	109-0764	1	Asm, Housing W/Studs
3	103-5895	4	O-Ring				

Mainframe Assembly

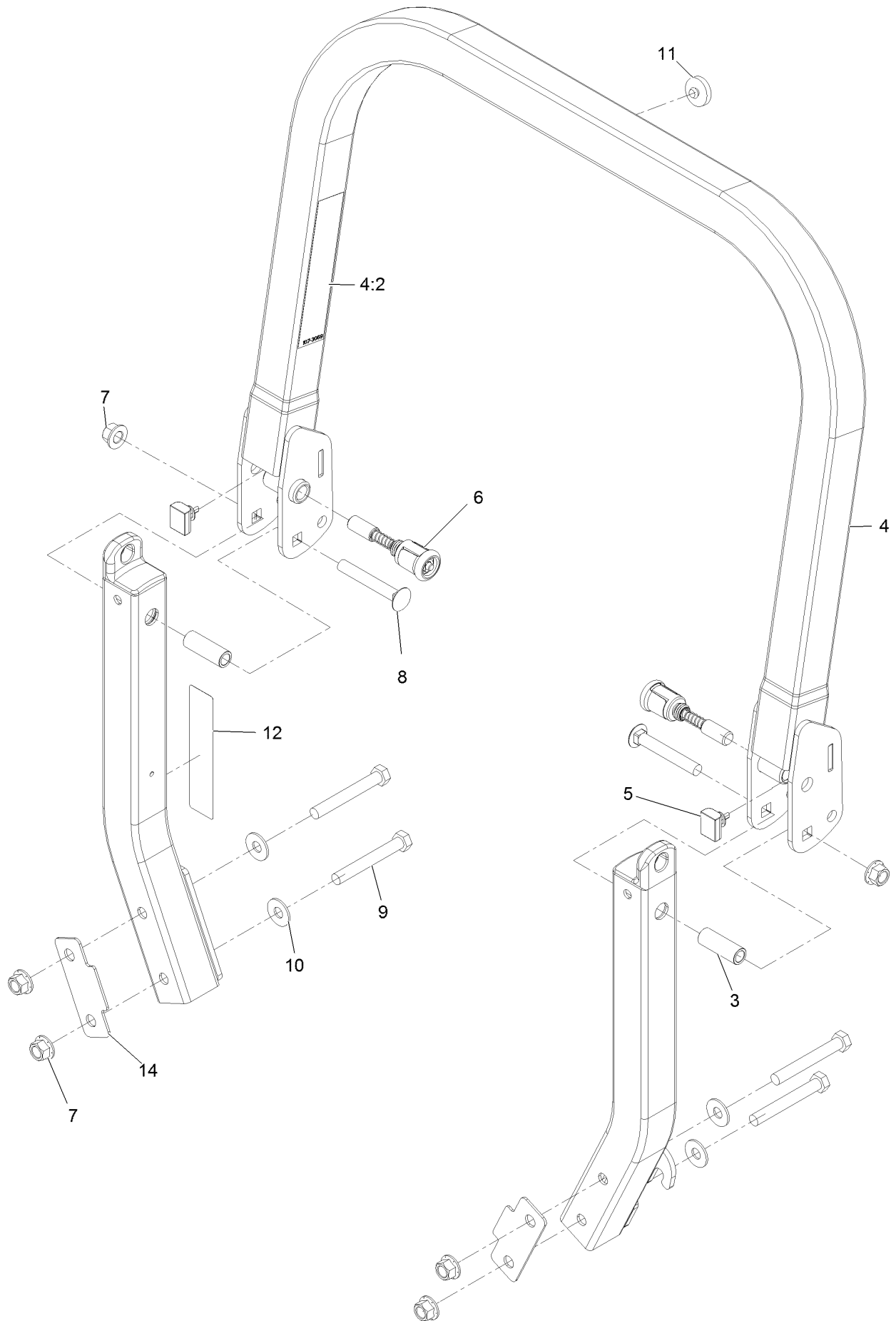


Mainframe Assembly (continued)

<i>Ref.</i>	<i>Part Number</i>	<i>Qty.</i>	<i>Description</i>	<i>Ref.</i>	<i>Part Number</i>	<i>Qty.</i>	<i>Description</i>
1	116-5902	1	Mainframe ASM	15:3	131-4605	1	Flap-Rubber
1:2	132-0871	1	Decal-Danger	16	126-2067-03	1	Guard-Muffler
1:3	106-5517	2	Decal-Warning	17	126-6969	1	Decal-Exmark Logo
1:4	106-2655	2	Decal-Hazard, Pinched Finger	18	32144-10	4	Screw-HWH 1/4-20 X .62
1:5	116-4858	1	Decal-Spark Arrester	19	116-0170	1	LH Hydro Guard ASM
2	109-8863-03	1	Plate,Rear Guard	19:2	116-8726	1	Decal-Oil, Hydro
5	116-0230	1	ASM,ROPS Service Exmark	20	116-0171	1	RH Hydro Guard ASM
6	1-811010	2	Plug	20:2	116-8726	1	Decal-Oil, Hydro
7		2	Caster Wheel ASM ●	21	109-9057	1	Guard-Hydro, Rear (LH)
9	116-0180	1	LH Bumper ASM	22	109-9058	1	Guard-Hydro, Rear (RH)
9:2	106-5517	1	Decal-Warning	26	126-6573	2	Decal-X-Series
10	116-0057-03	1	Bumper-RH	30	126-6965	1	Decal-Exmark Logo
11	104-8301	11	Nut-Nyloc 3/8-16 Flg	33	1-803035	2	Rivet 3/16 X 1/4
12	3231-22	7	Bolt-Carriage 3/8-16 X 1	34	116-2362	1	Deflector-Air Flow
13	3231-21	4	Bolt-Carriage 3/8-16 X 3/4	69	107-3154	2	Nut-Push 3/8-16
14	131-4615	1	RH Motion Control Cover ASM	76	117-3864	1	Decal-Fuel Fill, CE
14:2	99-8936	1	Decal-Control, Motion	77	1-543508	4	Cup-Bearing Tapered Roller
14:3	131-4605	1	Flap-Rubber	78	131-8834	2	Bumper
15	131-4610	1	LH Motion Control Cover ASM	79	104-7201	6	Nut-Nyloc 1/4-20 Flg
15:2	99-8936	1	Decal-Control, Motion	80	126-4345	1	Decal-Patent
				81	132-5075-01	2	Weight-Toe Board
				82	321-10	4	Screw-HH 1/4-20 X 1 3/4
				83	3256-22	4	Washer-1/4 SAE

● Not serviced separately

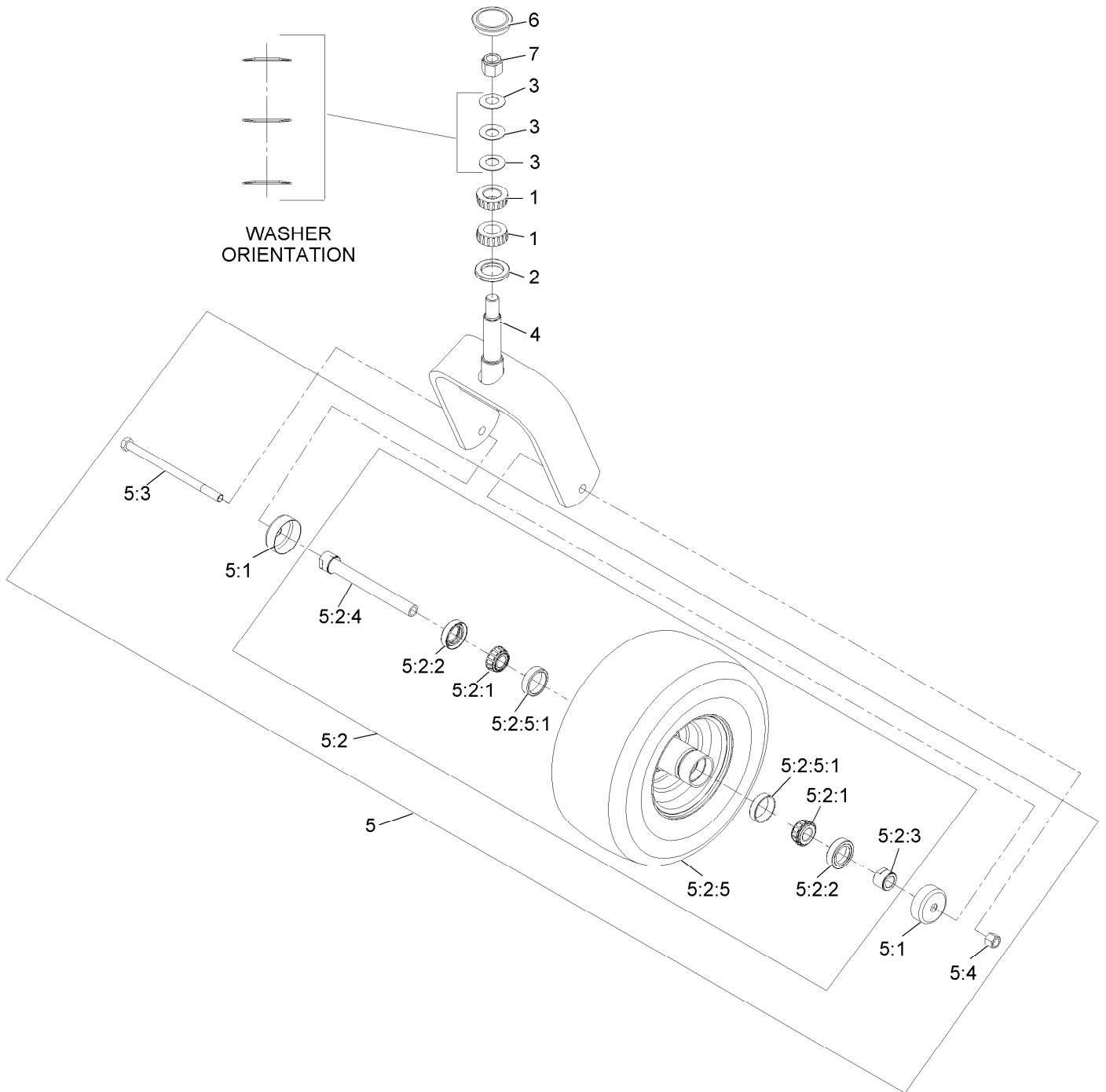
Roll-Over Protection System Assembly No. 116-0230



Roll-Over Protection System Assembly No. 116-0230 (continued)

<i>Ref.</i>	<i>Part Number</i>	<i>Qty.</i>	<i>Description</i>	<i>Ref.</i>	<i>Part Number</i>	<i>Qty.</i>	<i>Description</i>
3	109-6653	2	Spacer	8	3233-10	2	Bolt-Carriage 1/2-13 X 3 1/2
4	116-0019	1	Upper ROPS ASM	9	325-35	4	Screw-HH
4:2	107-3069	1	Decal-Warning	10	109-9505	4	Washer, Spring Disc 1/2
5	109-5337	2	Bumper-ROPS	11	109-9233	1	Bumper-Push-In, Rubber
6	116-0104	2	Pin-Spring	12	117-0346	1	Decal-Caution, Fuel Vent
7	99-5107	6	Nut-Lock 1/2-13	14	116-0960	2	Spacer

Caster Wheel and Fork Assembly



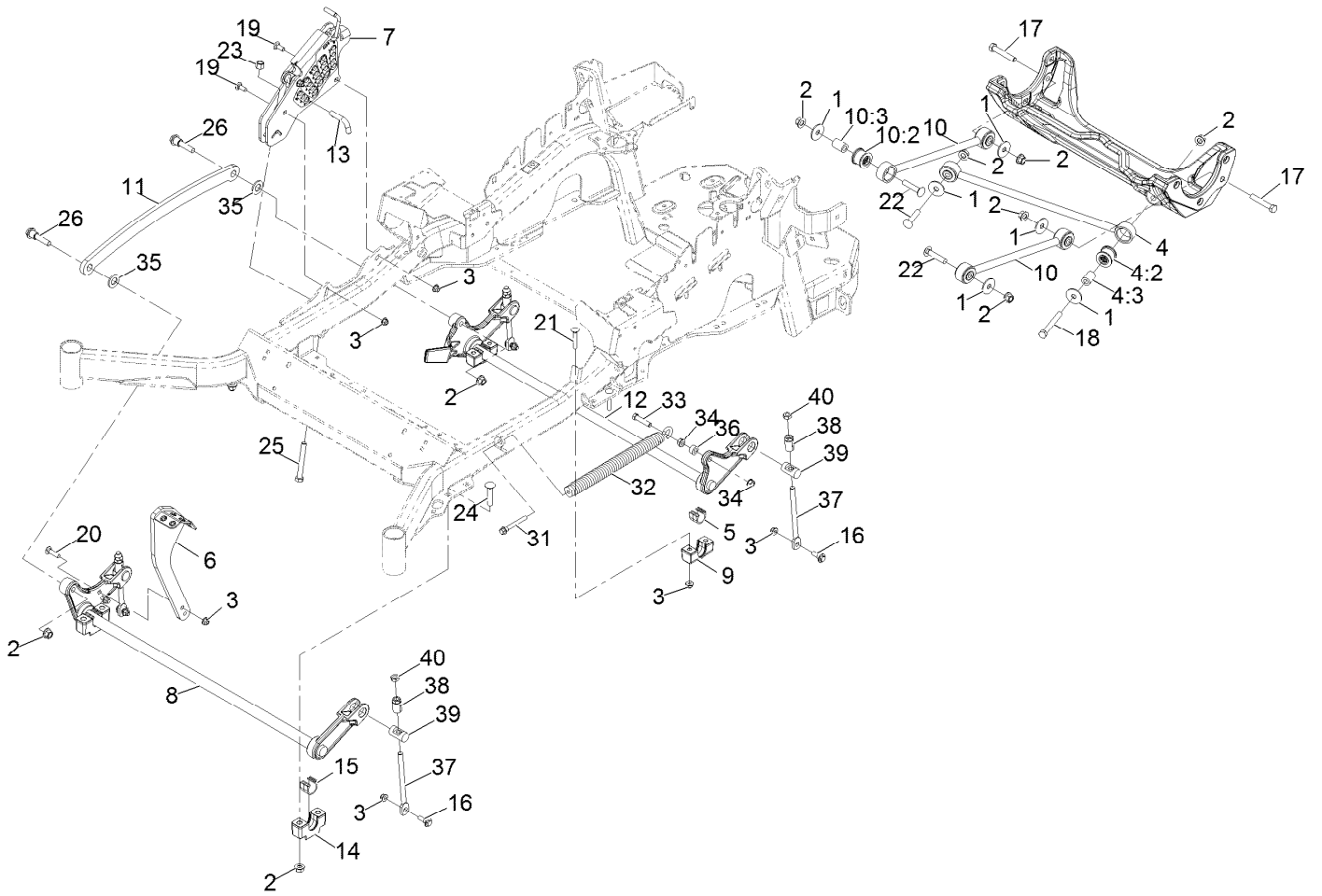
Caster Wheel and Fork Assembly (continued)

<i>Ref.</i>	<i>Part Number</i>	<i>Qty.</i>	<i>Description</i>	<i>Ref.</i>	<i>Part Number</i>	<i>Qty.</i>	<i>Description</i>
1	1-543509	2	Bearing-Roller, Tapered	5:2:3	103-3051	1	Spacer-Nut ■
2	116-5647	1	Seal-Grease	5:2:4	126-5361	1	Axle Caster ASM
3	1-633508	3	Washer-Bellville	5:2:5		1	Wheel And Tire ASM ●
4	116-6707-01	1	Caster	5:2:5:1	1-633584	2	Bearing-Cup
5	109-9127	1	Wheel & Tire ASM	5:3	325-39	1	Screw-HH
5:1	103-2768	2	Guard-Seal	5:4	3296-23	1	Nut-Lock, NI
5:2		1	Wheel And Tire ASM ●	6	103-4882	1	Cap-Grease
5:2:1	1-633585	2	Bearing-Cone, Taper	7	3296-51	1	Nut-Lock, NI
5:2:2	103-0063	2	Seal-Caster				

● Not serviced separately

■ Use Pro-Lock, Nut Type (P/N 1-840022, .5ml tube) on threads.

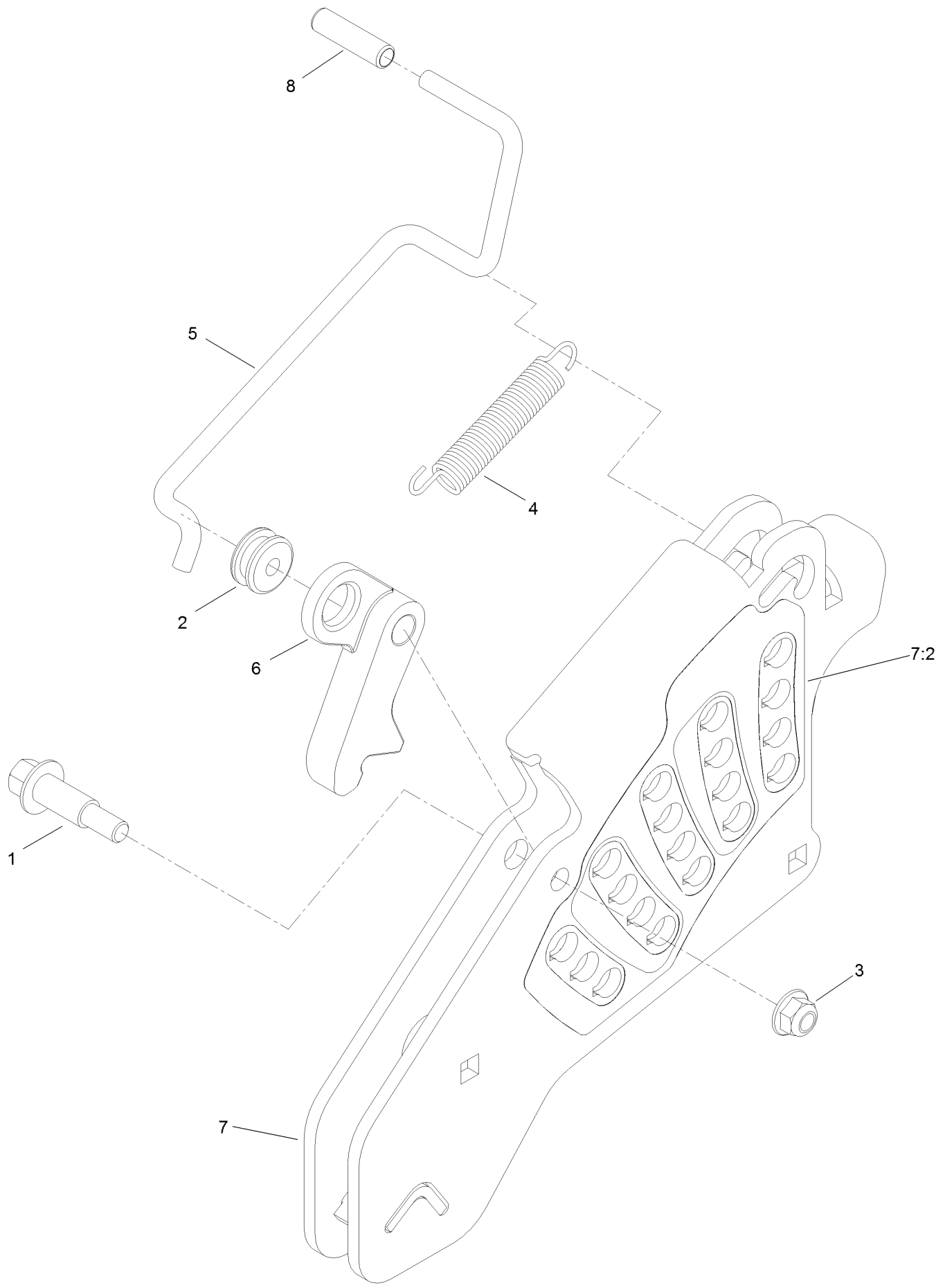
Deck Lift Assembly



Deck Lift Assembly (continued)

<i>Ref.</i>	<i>Part Number</i>	<i>Qty.</i>	<i>Description</i>	<i>Ref.</i>	<i>Part Number</i>	<i>Qty.</i>	<i>Description</i>
1	86-1990	6	Washer	17	325-12	2	Screw-HH 1/2-13 X 3
2	99-5107	12	Nut-Lock 1/2-13	18	325-17	1	Screw-HH 1/2-13 X 4
3	104-8301	12	Nut-Nyloc 3/8-16 Flg	19	3231-2	2	Bolt-Carriage 3/8-16 X 1
4	109-5013	1	Panhard Rod ASM	20	3231-4	2	Bolt-Carriage 3/8-16 X 1 1/2
4:2	109-5009	2	Bushing-Suspension, Rubber	21	3231-7	4	Bolt-Carriage 3/8-16 X 2 1/4
4:3	109-5010	2	Spacer	22	3233-34	3	Bolt-Carriage 1/2-13 X 2 1/2
5	109-7173	2	Bearing-Cross Shaft, Rear	23	3296-23	1	Nut-Nyloc 1/2-13
6	131-8812-01	1	Lever-Foot	24	116-1700	4	Bolt-Carriage 1/2-13 X 2 1/2 Spl Neck
7	109-7438	1	HOC ASM	25	116-0559	1	Bolt-HH 1/2-13 X 4 Tap
8	126-2477-03	1	Decklift-Front	26	116-2022	2	Screw-Hex Flange 1/2-13 X 1.90
9	127-0553	2	Support-Cross Shaft, Bearing Rear	31	92-7674	1	Screw-Shcs 3/8-16 X 2.212
10	109-7952	2	Deck Strut ASM	32	116-0000	1	Spring-Extension
10:2	109-5009	2	Bushing-Suspension, Rubber	33	109-9065	1	Screw-HH 7/16-14 X 2
10:3	109-5010	2	Spacer	34	32128-37	2	Nut-Whizlock 7/16-14
11	116-0797-03	1	Link-Lift, Deck	35	3256-28	2	Washer-3/4 SAE
12	116-2645-03	1	Lift-Deck, Rear	36	116-2695	1	Spacer
13	116-5584	1	Pin-HOC	37	109-8007	4	Link-Adjuster, Deck Lift
14	109-9409	2	Support-Cross Shaft, Bearing	38	109-7840	4	Adjuster-Lift, Deck
15	109-9410	2	Bearing-Cross Shaft, Front	39	109-8353	4	Trunnion
16	109-9840	4	Screw-Hex Flange 3/8-16 X .80	40	3218-5	4	Nut-Jam 1/2-13

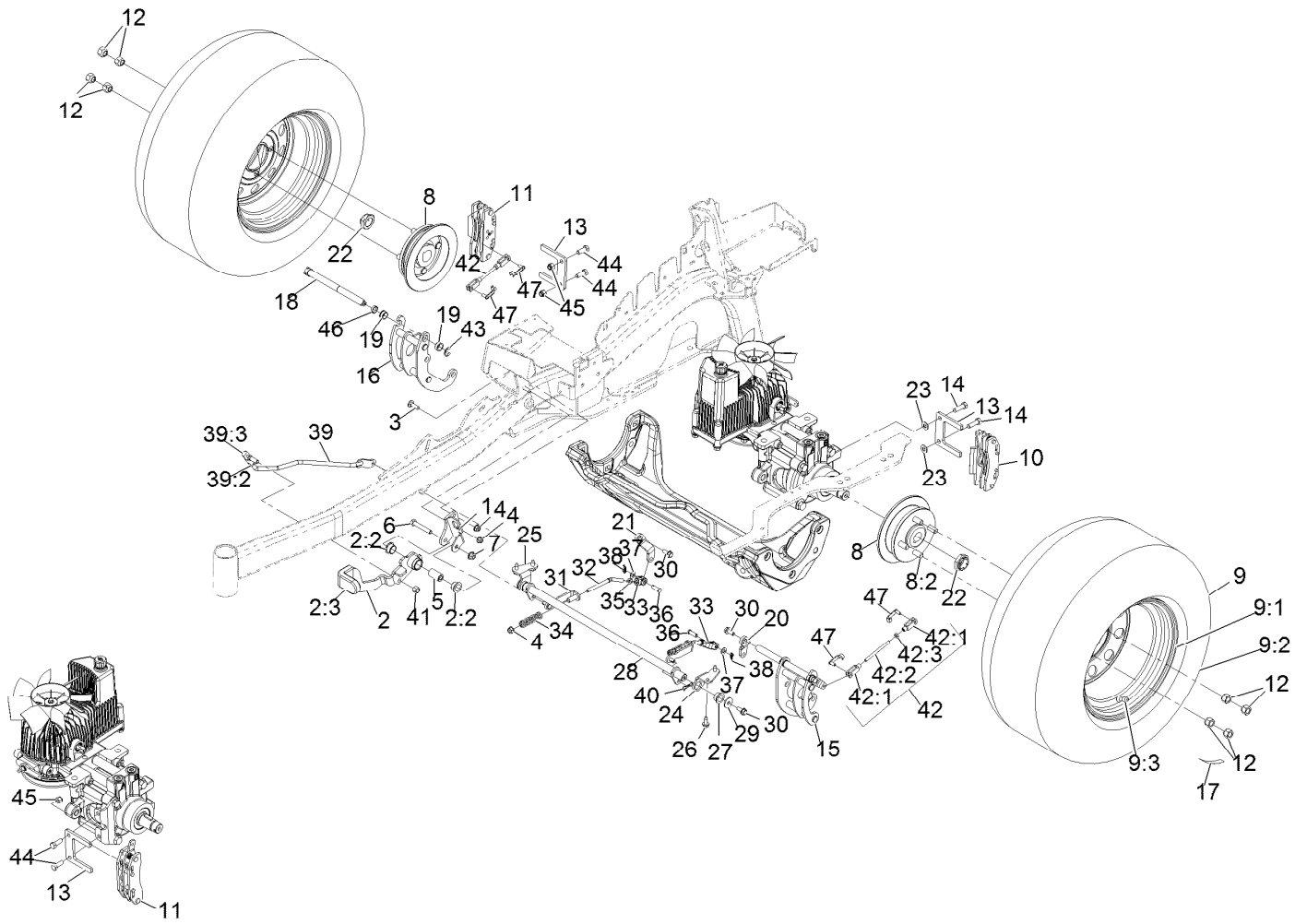
Height-of-Cut Assembly No. 109-7438



Height-of-Cut Assembly No. 109-7438 (continued)

<i>Ref.</i>	<i>Part Number</i>	<i>Qty.</i>	<i>Description</i>	<i>Ref.</i>	<i>Part Number</i>	<i>Qty.</i>	<i>Description</i>
1	62-1330	1	Bolt-Shoulder	6	116-0118	1	Pawl-Transport, HOC
2	109-7130	1	Grommet	7	109-7335	1	HOC Plate ASM
3	104-8301	1	Nut-HF, NI	7:2	126-4398	1	Decal-HOC
4	109-7124	1	Spring-Extension	8	109-8250	1	Grip-Lever
5	109-7128	1	Rod-Lock, Transport				

Park Brake Assembly

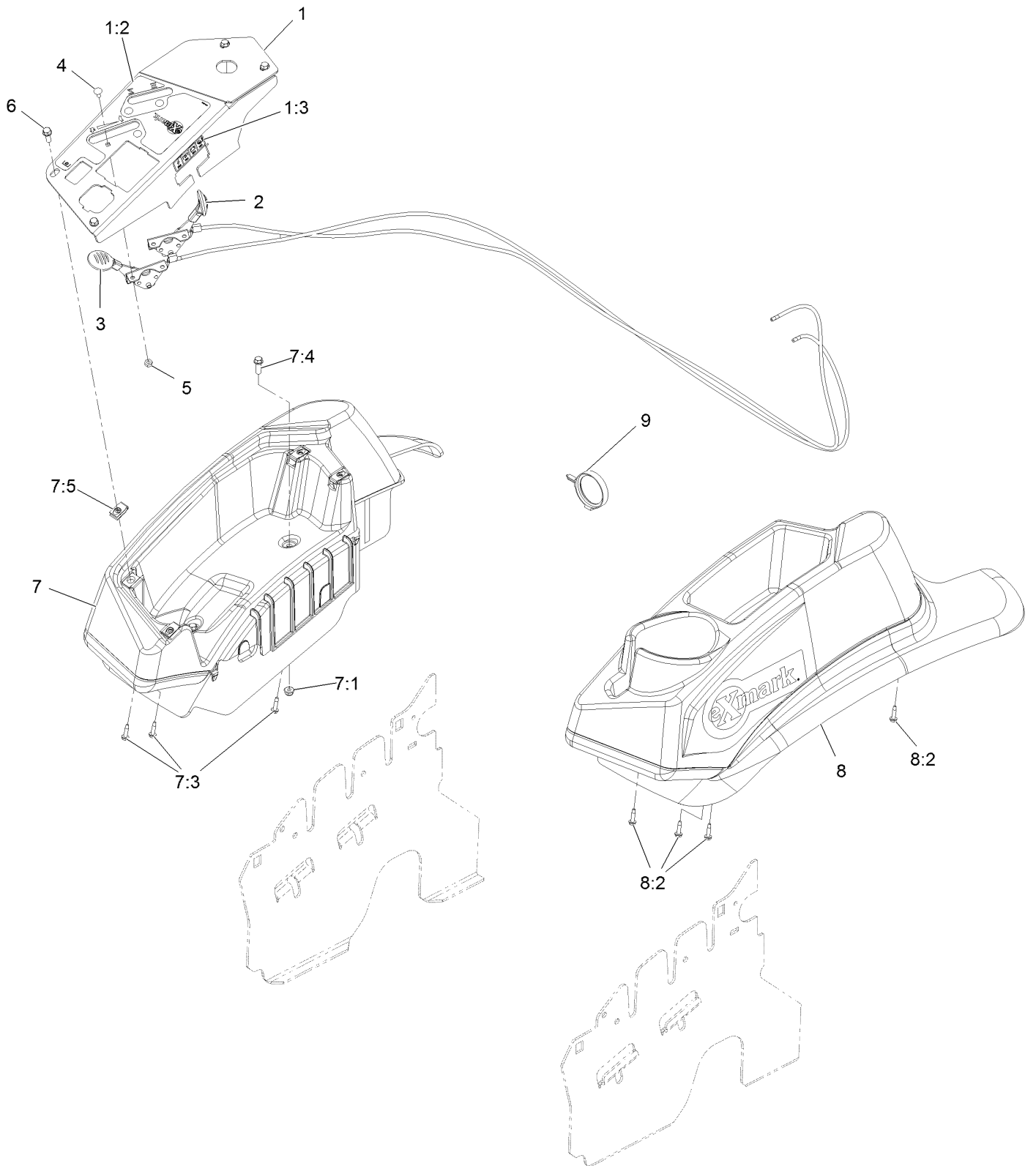


Park Brake Assembly (continued)

<i>Ref.</i>	<i>Part Number</i>	<i>Qty.</i>	<i>Description</i>	<i>Ref.</i>	<i>Part Number</i>	<i>Qty.</i>	<i>Description</i>
1	116-9096-01	1	Bracket-Mount	24	116-9681	1	Mount-Pivot, LH
2	131-4623	1	Brake Lever ASM W/ Grip	25	116-9682	1	Mount-Pivot, RH
2:2	109-8054	2	Bushing-Flange	26	32144-70	4	Screw-HWHTF
2:3	132-4749	1	Grip-Lever	27	109-8054	2	Bushing-Flange
3	3230-2	2	Bolt-CARR	28	116-9080	1	Shaft-Cross
4	104-8300	4	Nut-HF, NI	29	115-7109	2	Washer-Flat
5	116-9117	1	Handle-Pivot, Brake	30	98-9940	4	Screw
6	323-11	1	Screw-HH	31	116-9609	2	Bracket-L
7	104-8301	1	Nut-HF, NI	32	116-9086	2	Linkage-Mid
8	116-1746	2	Wheel Hub ASM	33	126-3693	2	Yoke-Offset
8:2	116-1696	4	Stud-Wheel	34	116-9085	2	Spring-Compression
9		2	Wheel And Tire ASM ●	35	3220-2	2	Nut-Jam
9:1	109-2871	1	Rim	36	1-808280	2	Pin-Clevis
9:2	1-633993	1	Tire	37	3256-23	4	Washer-Plain
9:3	232-27	1	Stem-Valve	38	116-6639	2	Pin-Cotter, Locking
10	109-2889	1	Caliper-Brake	39	116-9102	1	Front Linkage ASM
11	116-9103	1	Caliper-Brake, RH	39:2	94-7572	1	End-Tie Rod, RH
12	242-50	8	Nut-Lug	39:3	3220-3	1	Nut-HJ
13	109-0958	2	Plate-Mount, Brake	40	119-1415	2	Pin-Cotter, Locking
14	92-5727	2	Screw-Lock, Patch	41	3296-6	1	Nut-Lock
15	126-4248	1	Mount-Bellcrank, LH	42	126-7587	2	Rear Linkage ASM
16	126-4249	1	Mount-Bellcrank, RH	42:1	126-7588	2	Yoke
17	126-2055	2	Decal-Torque, Wheel Hub Lug	42:2	116-9069	1	Linkage, Rear
18	126-4251	2	Bellcrank	42:3	3220-1	1	Nut-Jam
19	126-6199	4	Bushing-Igus	43	32120-19	2	E-Ring
20	126-3715	1	Arm-Inner, LH	44	323-6	2	Screw-HH
21	126-3716	1	Arm-Inner, RH	45	3296-39	2	Nut-Lock, NI
22	116-1399	2	Locknut	46	126-6200	2	Spacer
23	3256-24	2	Washer-Flat	47	126-6395	4	Pin-Clevis, Spring

● Not serviced separately

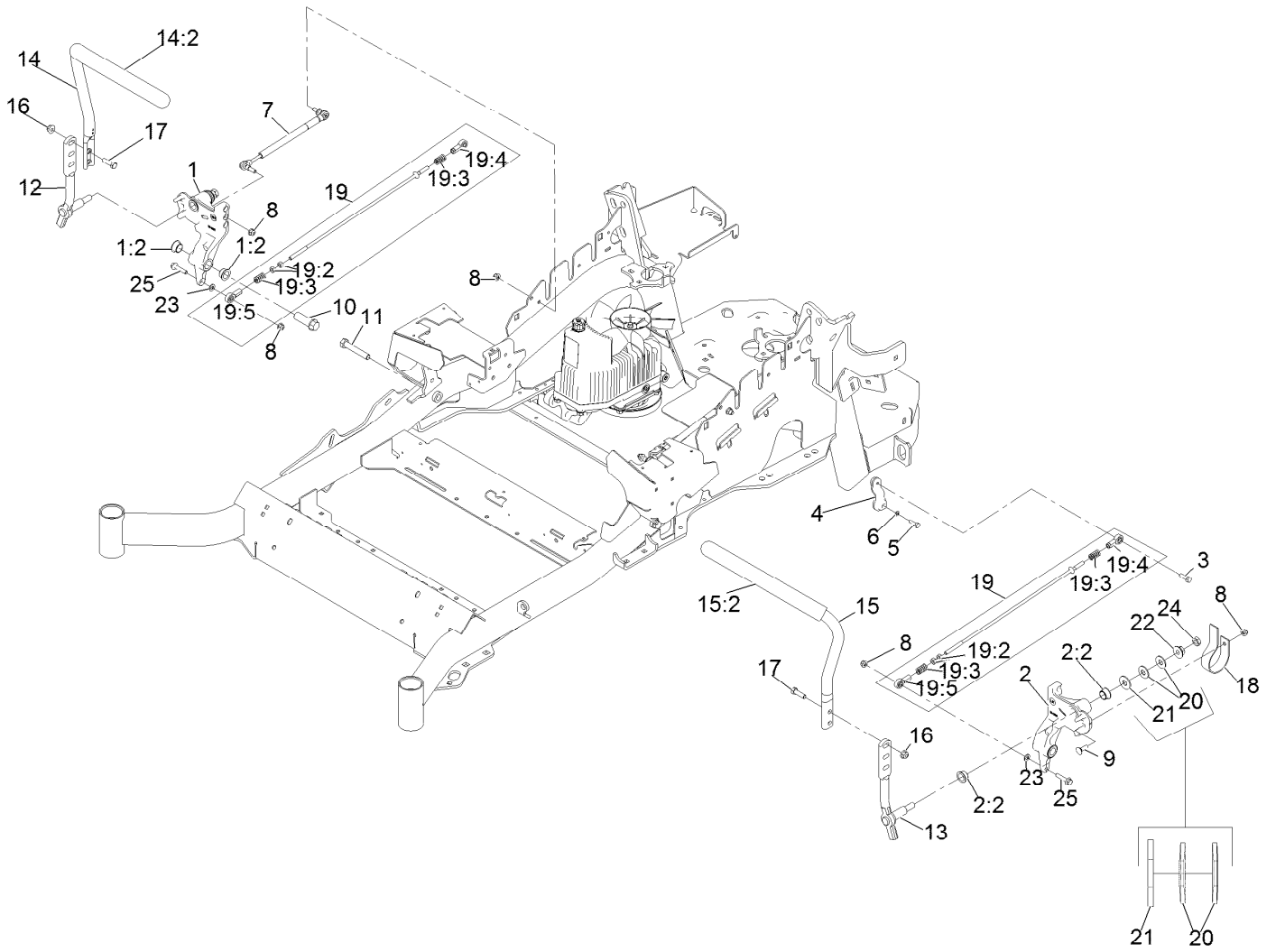
Controls Assembly



Controls Assembly (continued)

<i>Ref.</i>	<i>Part Number</i>	<i>Qty.</i>	<i>Description</i>	<i>Ref.</i>	<i>Part Number</i>	<i>Qty.</i>	<i>Description</i>
1	109-8484	1	Console,Panel W/Decal	7	109-9341	1	Console,RH Narrow ASM
1:2	116-8724	1	Decal-Control Panel Non-Efi	7:1	104-7201	2	Nut-Nyloc 1/4-20 Flg
1:3	114-4466	1	Decal-Fuses	7:3	109-9345	3	Screw-HWH #10-14 X 3/4 Tf
2	109-8167	1	ASM, Choke Cable	7:4	32105-15	2	Screw-Machine 1/4-20 X 3/4
3	116-1972	1	ASM,Throttle Cable	7:5	107069	4	Nut-Retainer-Panel 1/4-20
4	1-807513	4	Bolt-Carriage #10-24 X 1/2	8	109-9342	1	Console.LH Narrow ASM
5	3296-2	4	Nut-Nyloc #10-24	8:2	109-9345	4	Screw-HWH #10-14 X 3/4 Tf
6	32105-15	4	Screw-Machine 1/4-20 X 3/4	9	117-7817	1	Clamp-Harness

Motion Controls Assembly

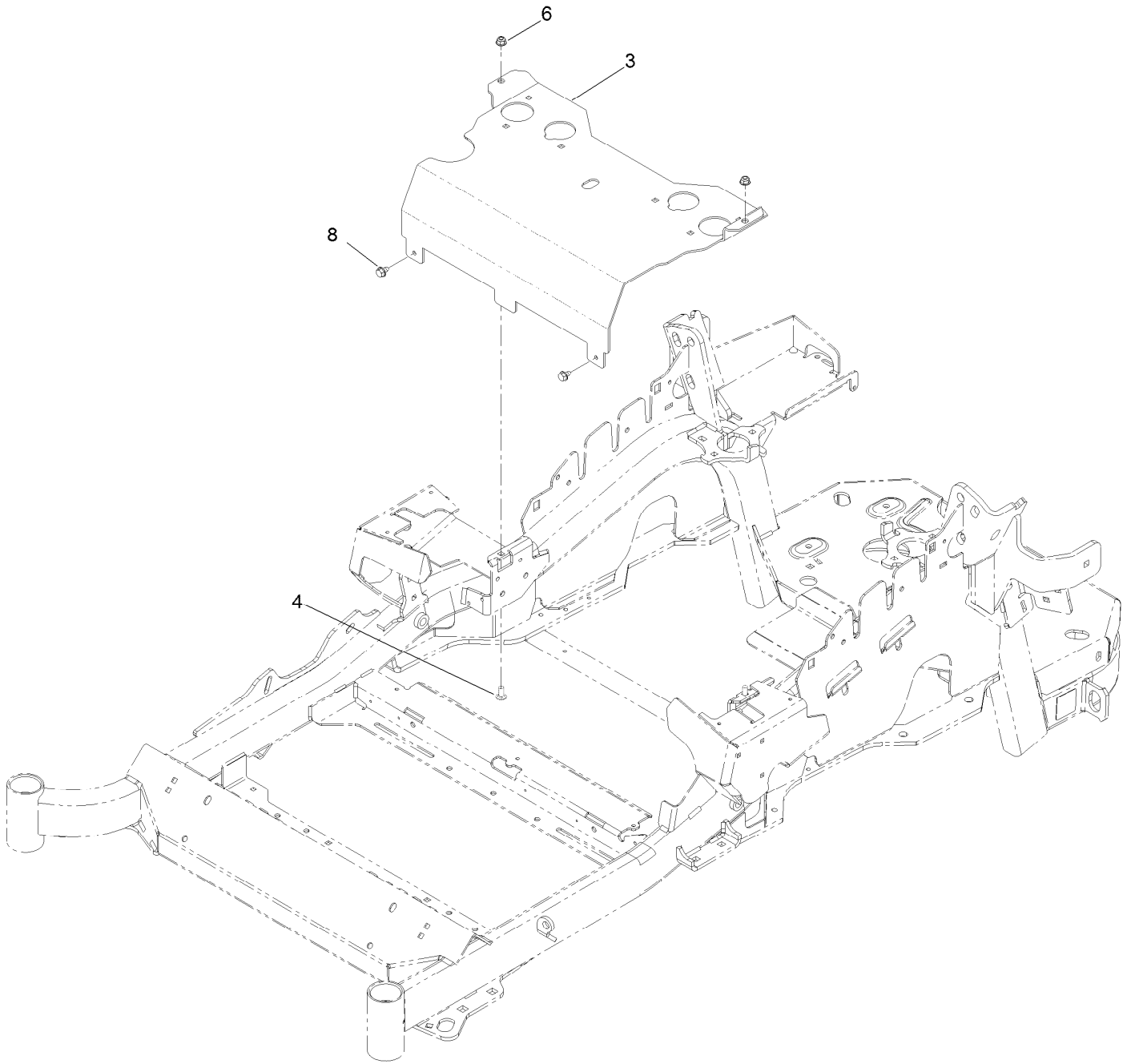


Motion Controls Assembly (continued)

<i>Ref.</i>	<i>Part Number</i>	<i>Qty.</i>	<i>Description</i>	<i>Ref.</i>	<i>Part Number</i>	<i>Qty.</i>	<i>Description</i>
1	116-0880	1	RH Motion Control And Bushing ASM	14:2	109-5668	1	Grip-Control, Lever
1:2	109-8054	4	Bushing-Flanged	15	133-1841	1	LH Steering Handle ASM
2	116-0881	1	LH Motion Control And Bushing ASM	15:2	109-5668	1	Grip-Control, Lever
2:2	109-8054	4	Bushing-Flanged	16	104-8301	4	Nut-Nyloc 3/8-16 Flg
3	116-0648	2	Screw-HH 5/16-18 X 1 W/Patch ●	17	323-7	4	Screw-HH 3/8-16 X 1 1/4
4	109-4581	2	Arm-Control, Pump	18	109-5575	2	Spring-Leaf
5	9080046	2	Screw-HH 1/4-20 X 7/8 ●	19	109-8106	2	Front Pump Linkage ASM
6	1-303435	2	Washer-Spring Disc 1/4	19:2	3219-2	2	Nut-Hex 5/16-24
7	116-0027	2	Damper-Control, Motion	19:3	1-323245	2	Spring-Compression
8	104-8300	8	Nut-Nyloc 5/16-18 Flg	19:4	1-633152	1	Balljoint
9	3230-2	2	Bolt-Carriage 5/16-18 X 1	19:5	1-543017	1	Balljoint
10	109-5891	2	Hub-Threaded	20	109-9505	4	Washer, Spring Disc 1/2
11	325-12	2	Screw-HH 1/2-13 X 3	21	3256-6	2	Washer
12	116-0039	1	Lever-Control Motion, RH	22	32128-56	2	Nut-Hex 1/2-13 Flange
13	116-0040	1	Lever-Control Motion, LH	23	3256-23	2	Washer-5/16 SAE
14	133-1839	1	RH Steering Handle ASM	24	3218-5	2	Nut-Jam 1/2-13
				25	115-1794	2	Screw-Hex Flange 5/16-18 X 1 1/2

● Use Pro-Lock, Nut Type (P/N 1-840022, .5ml tube) on threads.

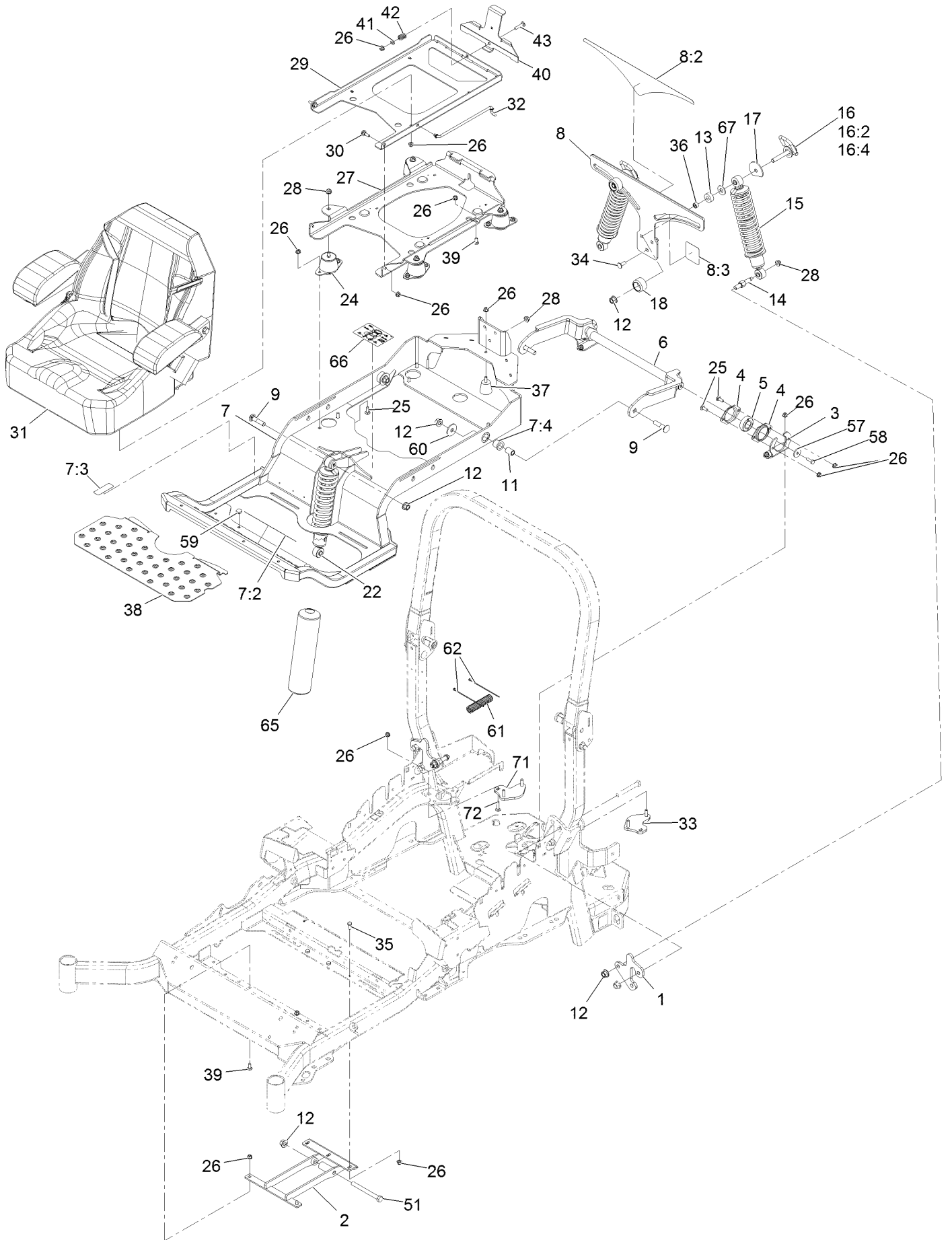
Seat Mount Assembly



Seat Mount Assembly (continued)

<i>Ref.</i>	<i>Part Number</i>	<i>Qty.</i>	<i>Description</i>	<i>Ref.</i>	<i>Part Number</i>	<i>Qty.</i>	<i>Description</i>
3	116-2130-03	1	Panel-Front, Seat Mount	6	104-8300	2	Nut-HF, NI
4	3230-23	2	Screw-CARR	8	9266934	2	Screw

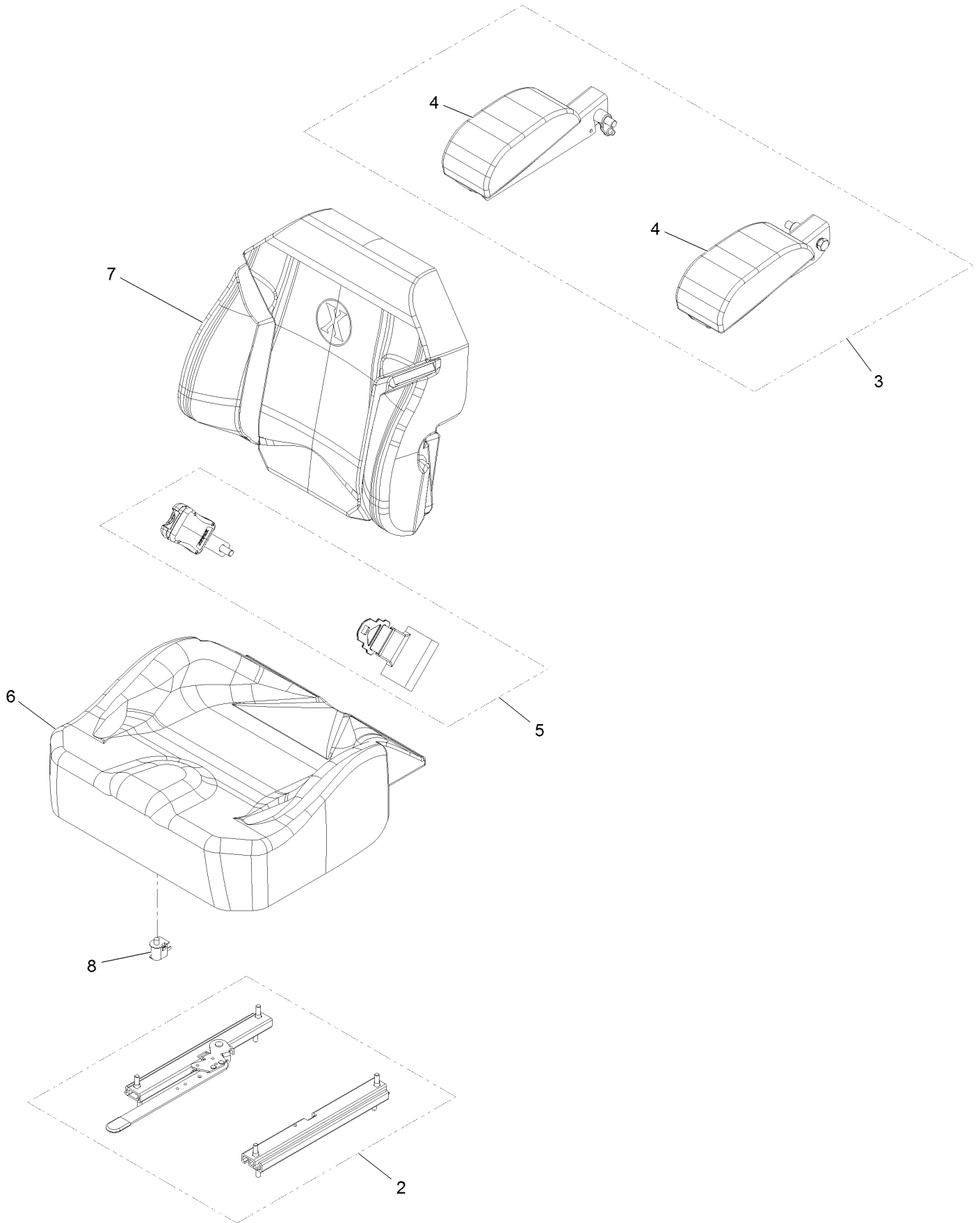
Seat Assembly



Seat Assembly (continued)

<i>Ref.</i>	<i>Part Number</i>	<i>Qty.</i>	<i>Description</i>	<i>Ref.</i>	<i>Part Number</i>	<i>Qty.</i>	<i>Description</i>
1	136-1674-01	2	Plate-Mount, Shock	30	116-1297	2	Screw-Shoulder
2	131-6327-01	1	Mount-Lower	31	126-5801	1	Seat-Exmark Standard
3	127-6759-03	2	Bracket-Bearing	32	116-0070	1	Rod-Prop
4	127-6743	4	Housing-Bearing, Flange	33	127-6766	1	LH Plate ASM (W/Studs)
5	1-653346	2	Bearing	34	3231-22	3	Bolt-Carriage 3/8-16 X 1
6	127-6754-03	1	Arm-Trailing	35	322-3	3	Screw-HH 5/16-18 X 3/4
7	132-5057	1	Subframe ASM	36	47-7270	2	Bearing-Needle
7:2	132-0871	1	Decal-Danger	37	132-5058	1	Bumper-Rubber
7:3	115-9625	1	Decal-Brake, Parking	38	132-5089-01	1	Floorpan
7:4	127-6745	2	Bushing-Flange	39	3230-23	3	Bolt-Carriage 5/16-18 X 3/4 Short Neck
8	133-1809	1	Bracket-Mounting	40	132-5088-03	1	Plate-Latch, Seat
8:2	132-5080	1	Decal-Adjustment, Ride	41	3256-23	1	Washer-5/16 SAE
8:3	132-5063	1	Decal-Lock, Cam	42	107-3017	1	Spring-Compression
9	127-6768	3	Bolt-Carriage 1/2-13 X 2 1/4	43	3230-4	1	Bolt-Carriage 5/16-18 X 1 1/2
11	127-6751	2	Spacer-Aluminum	51	325-19	1	Screw-HH 1/2-13 X 5
12	99-5107	8	Nut-Lock 1/2-13	57	105-3048	2	Washer-Flat
13	131-8801	2	Spacer	58	116-0648	2	Screw-HH 5/16-18 X 1 W/Patch
14	131-6348	2	Bolt-Shoulder	59	1-513658	2	Bumper
15	133-1815	2	Shock/Spring ASM	60	86-1990	2	Washer
16	131-8843	2	Cam Lock ASM	61	131-8846	1	Cover-Hose
16:2	107-1644	1	Cap-Lock	62	1-303287	2	Tie-Cable 5 1/2 (Small)
16:4	119-4038	1	Nut-Hex Nyloc 5/16-18	65	133-1803	1	Cover-Shock
17	131-4646	2	Plate-Stop	66	114-4465	1	Decal-Service Aid
18	131-4647	2	Knob-Front	67	3256-6	2	Washer
22	136-8956	1	Shock/Spring ASM	71	127-6765	1	RH Plate ASM (W/Studs)
24	109-9034	4	Isolator-Seat	72	3230-3	2	Bolt-Carriage 5/16-18 X 1 1/4
25	3230-10	12	Bolt-Carriage 5/16-18 X 7/8				
26	104-8300	32	Nut-Nyloc 5/16-18 Flg				
27	131-6324-03	1	Plate-Support, ISO Seat				
28	104-8301	9	Nut-Nyloc 3/8-16 Flg				
29	116-3859-03	1	Plate-Frame, Seat				

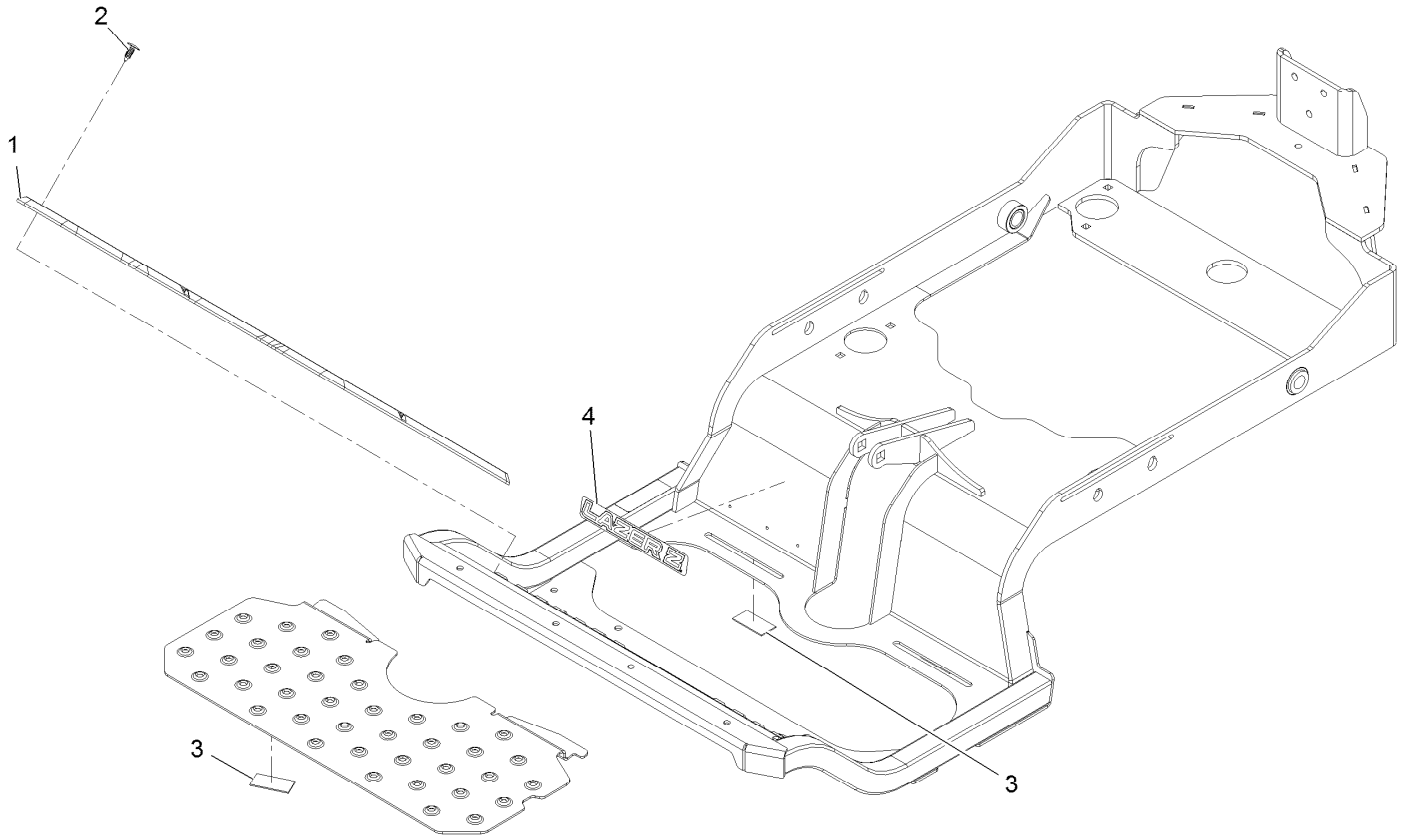
Seat W/Tracks Assembly No. 126-5801



Seat W/Tracks Assembly No. 126-5801 (continued)

<i>Ref.</i>	<i>Part Number</i>	<i>Qty.</i>	<i>Description</i>	<i>Ref.</i>	<i>Part Number</i>	<i>Qty.</i>	<i>Description</i>
2	109-9801	1	Seat Track Set	6	126-6052	1	Seat Cushion Cover
3	116-8906	1	Kit-Arm Rest Set	7	126-6051	1	Seat Back Cover
4	116-8905	1	Kit-Arm Rest Pads	8	82-2190	1	Switch
5	109-9805	1	Seat Belt Kit				

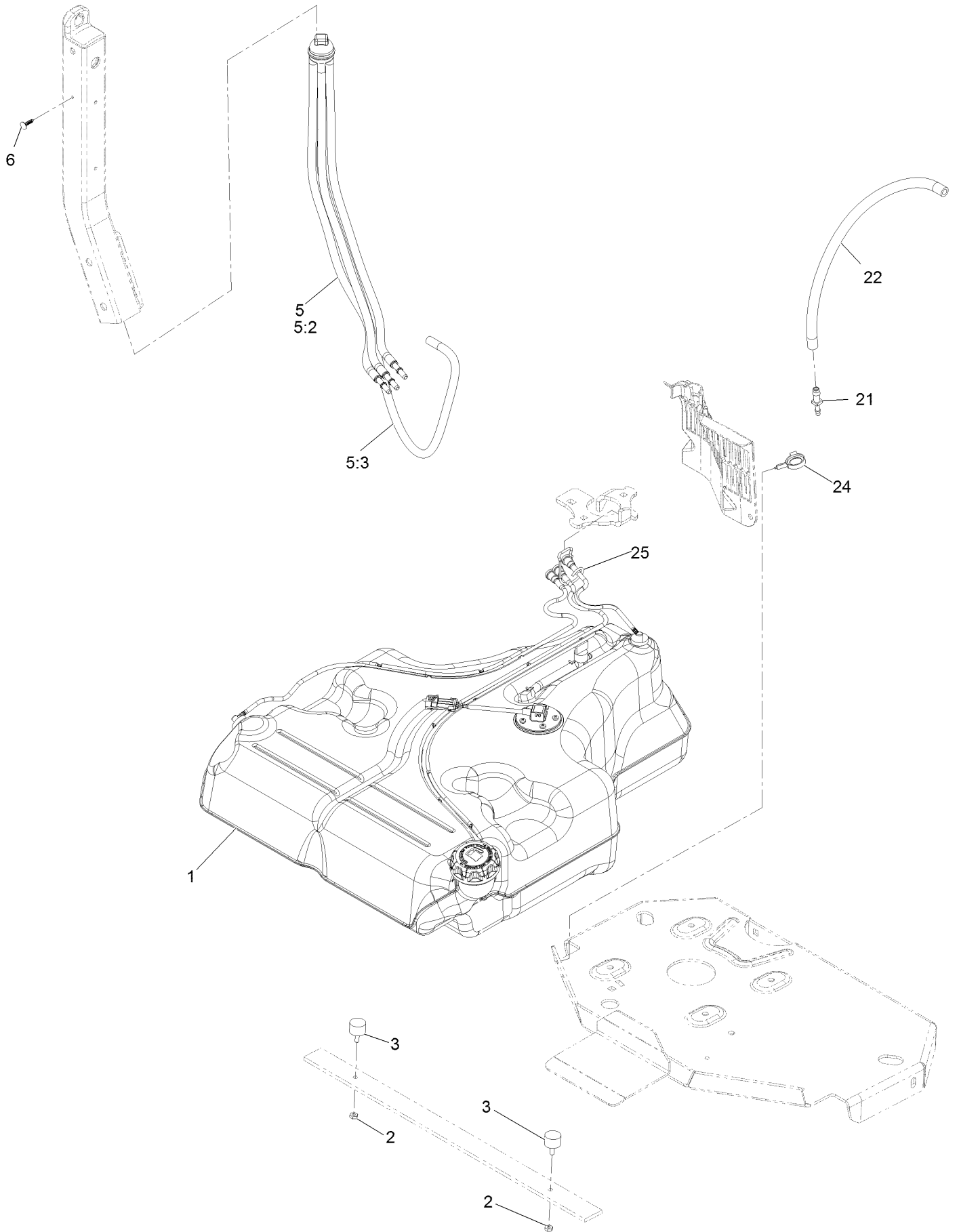
Suspension Platform Assembly (cont.)



Suspension Platform Assembly (cont.) (continued)

<i>Ref.</i>	<i>Part Number</i>	<i>Qty.</i>	<i>Description</i>	<i>Ref.</i>	<i>Part Number</i>	<i>Qty.</i>	<i>Description</i>
1	133-1812	1	Floor Mat	3	130-0733	4	Pad-Rubber
2	117-2382	2	Plug-Plastic	4	133-1804	1	Decal-Lazer Logo

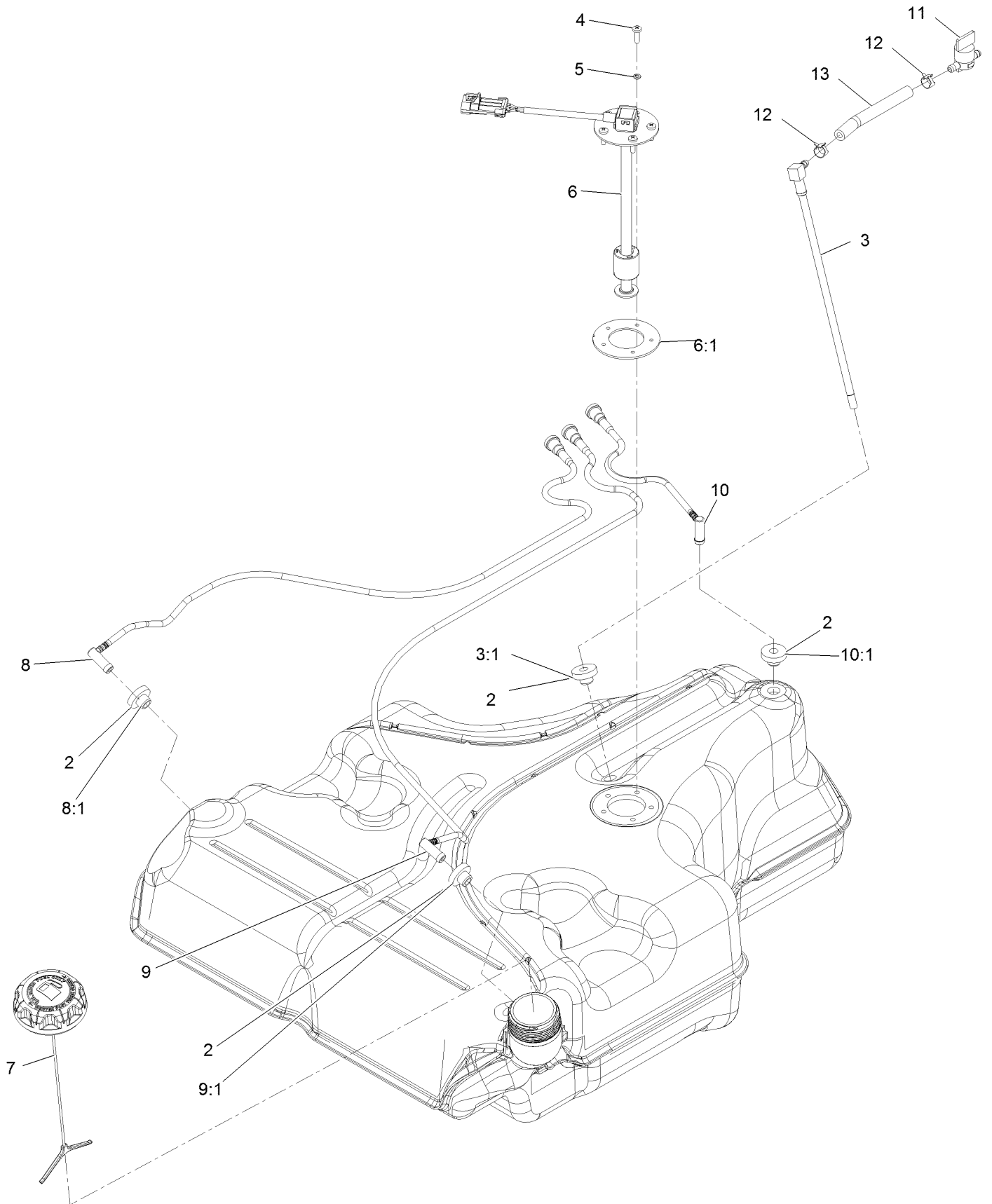
Fuel Assembly



Fuel Assembly (continued)

<i>Ref.</i>	<i>Part Number</i>	<i>Qty.</i>	<i>Description</i>	<i>Ref.</i>	<i>Part Number</i>	<i>Qty.</i>	<i>Description</i>
1	135-0643	1	Fuel Tank ASM	6	125-8067	1	Plug-Plastic
2	3218-1	2	Nut-Jam	21	116-5072	1	Fitting-Straight
3	116-6380	2	Bumper-Rubber (W/ Stud)	22	116-5087	1	Hose-Fuel
5	127-0583	1	Fuel Manifold Vent ASM	24	105-1853	1	Clamp-Hose
5:2	109-0302	3	Hose-Fuel	25	116-6005	1	Retainer-Line, Vapor
5:3	108-5376	1	Hose-Fuel				

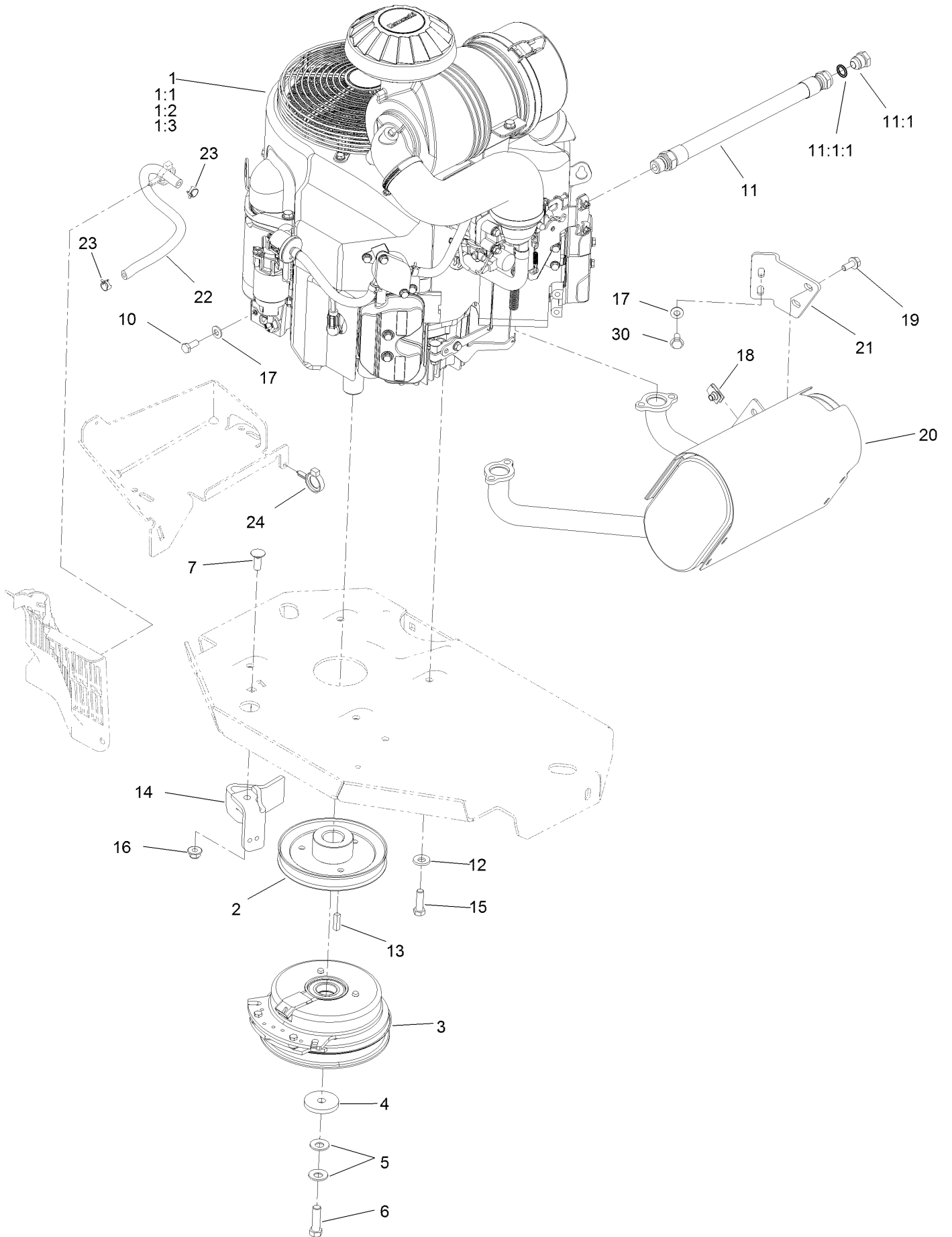
Fuel Tank Assembly



Fuel Tank Assembly (continued)

<i>Ref.</i>	<i>Part Number</i>	<i>Qty.</i>	<i>Description</i>	<i>Ref.</i>	<i>Part Number</i>	<i>Qty.</i>	<i>Description</i>
2	46-6560	4	Bushing	8:1	46-6560	1	Bushing
3	116-2459	1	Fuel Line Kit (With Grommet)	9	116-2461	1	LH Vent Line Kit (With Grommet)
3:1	46-6560	1	Bushing	9:1	46-6560	1	Bushing
4	3290-500	5	Screw-PPH	10	116-2462	1	Rear Vent Line Kit (With Grommet)
5	3253-17	5	Washer-Lock	10:1	46-6560	1	Bushing
6	126-3913	1	Float-Sender, Fuel	11	1-603770	1	Valve-Fuel
6:1	126-3950	1	Gasket-Sender	12	2412-98	2	Clamp-Hose
7	126-1789	1	Cap-Fuel, Ratcheting	13	109-0650	1	Hose-Fuel
8	116-2460	1	RH Vent Line Kit (With Grommet)				

Engine, Muffler and Clutch Assembly



Engine, Muffler and Clutch Assembly (continued)

<i>Ref.</i>	<i>Part Number</i>	<i>Qty.</i>	<i>Description</i>	<i>Ref.</i>	<i>Part Number</i>	<i>Qty.</i>	<i>Description</i>
1		1	Engine-Kawasaki, Fx801V-S04-R ■▲	11:1	353-508	1	Plug-HH ●
1:1		1	Kawasaki 49065-2078 Engine Oil Filter ■▲	11:1:1	237-42	1	O-Ring
1:2		1	Kawasaki 11013-7044 Engine Air Filter ■▲	12	98-5975	4	Washer-Belleville
1:3		1	Kawasaki 11013-7045 Safety Filter ■▲	13	1-807259	1	Key
2	109-9905	1	Sheave	14	116-2612-01	1	Clutch-Anchor
3	116-1620	1	Clutch Kit	15	323-7	4	Screw-HH
4	109-6919	1	Washer-Clutch	16	104-8301	1	Nut-HF, NI
5	1-603610	2	Washer-Spring	17	1-303334	3	Washer-Spring
6	109-9761	1	Screw-HH ◆	18	94-2413	2	Nut-U
7	3231-22	1	Screw-CARR	19	3234-5	2	Screw-HHF
10	33114-020	1	Screw-HH	20	116-1712	1	Muffler
11	116-4924	1	Engine Oil Drain Hose ASM	21	116-0203	1	Bracket-Muffler
				22	109-0296	1	Hose-Fuel
				23	2412-98	2	Clamp-Hose
				24	105-1853	1	Clamp-Hose
				30	95-4184	2	Screw-HHF

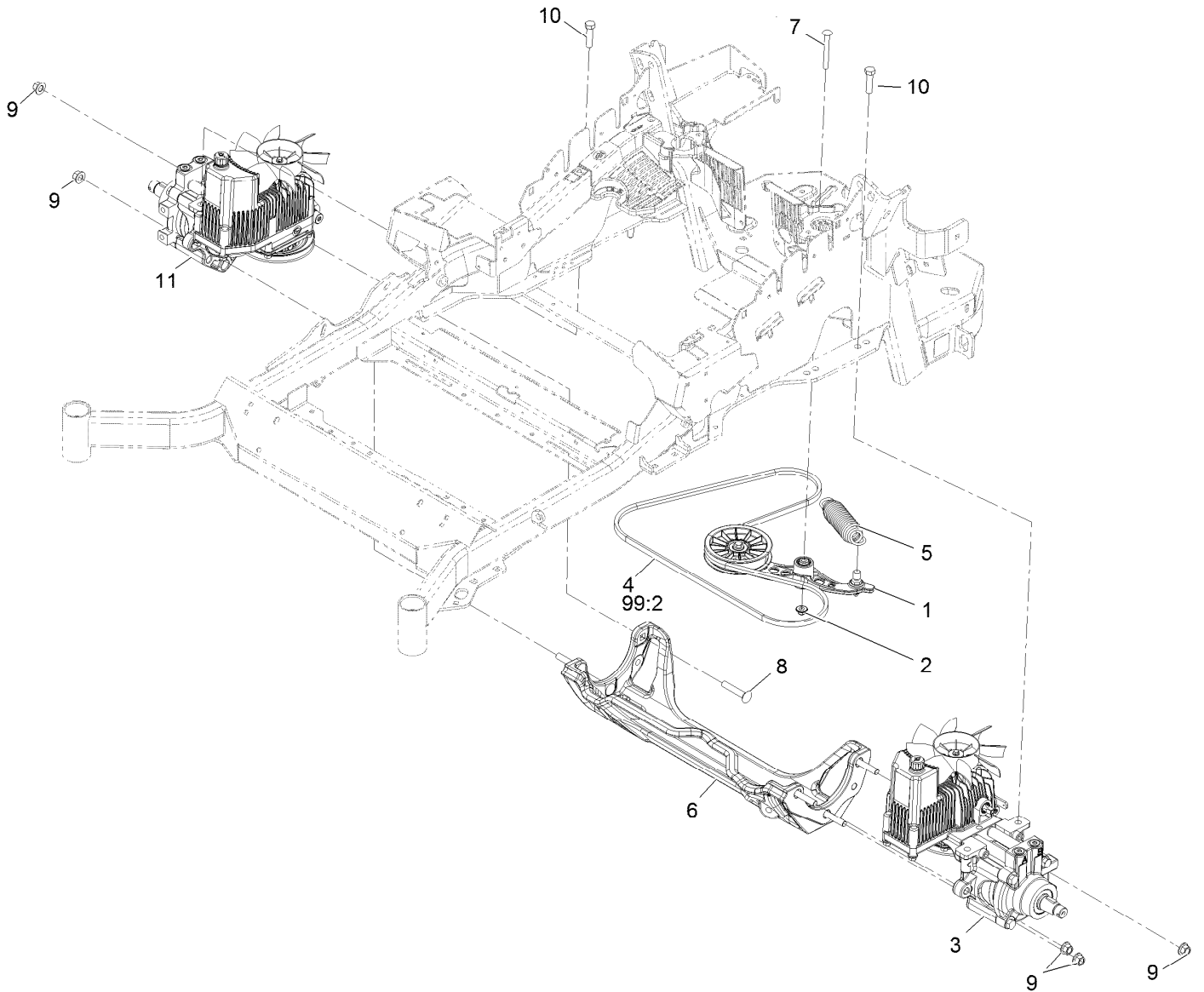
● Torque to 24-26 ft-lb

▲ Obtain parts from www.kawpowerepc.com

◆ Use Pro-Lock, Nut Type (P/N 1-840022, .5ml tube) on threads.

■ Not serviced separately

Hydraulic Assembly

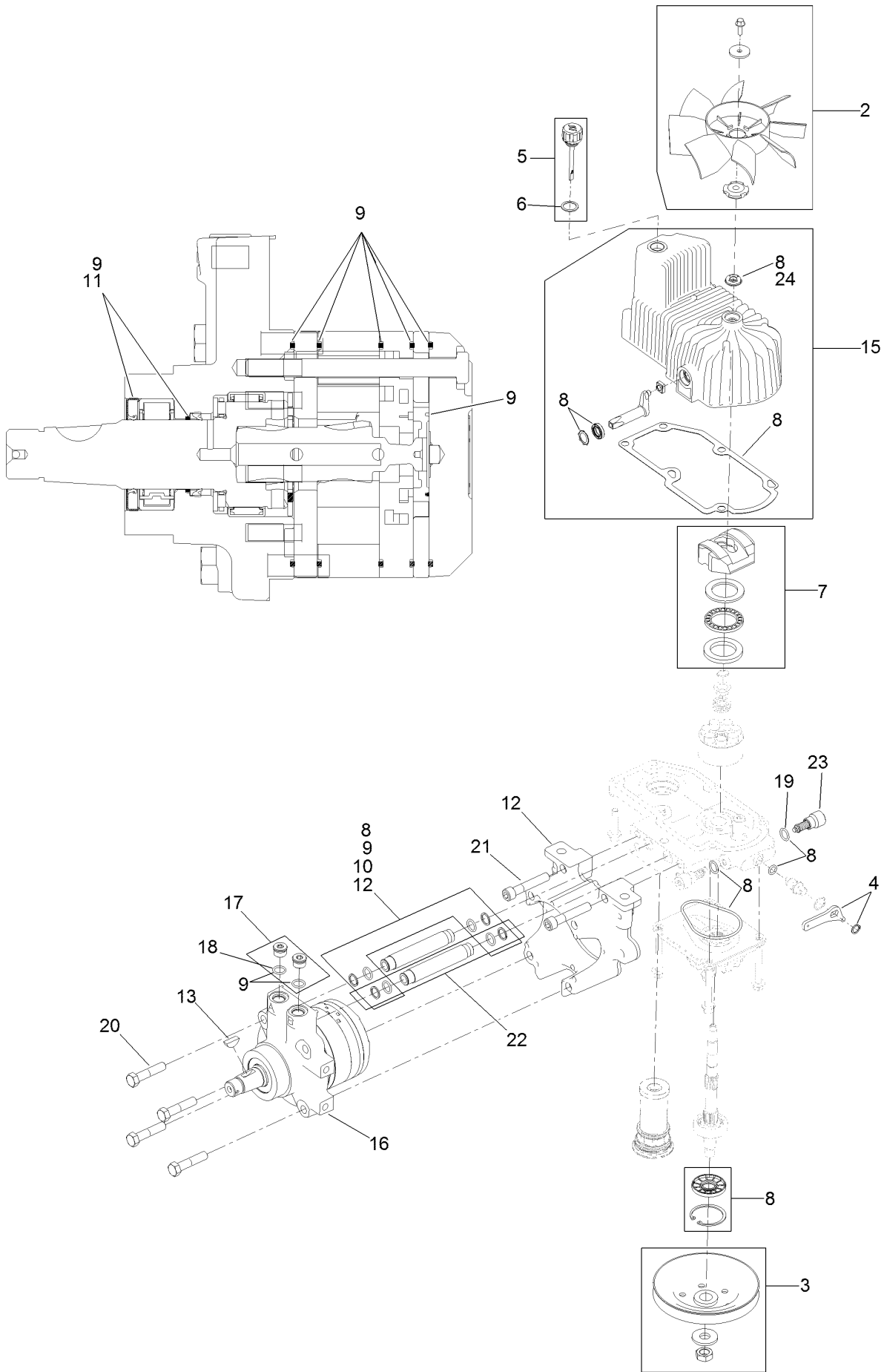


Hydraulic Assembly (continued)

<i>Ref.</i>	<i>Part Number</i>	<i>Qty.</i>	<i>Description</i>	<i>Ref.</i>	<i>Part Number</i>	<i>Qty.</i>	<i>Description</i>
1	116-1255	1	Pump Idler ASM	11	126-1326	1	RH Hydro ASM (16Cc W/ Shock)
2	109-6658	1	Nut-Flange, NI	99	109-9828	1	Bottle-Oil, 32Oz Hydraulic ●
3	126-1325	1	LH Hydro ASM (16Cc W/ Shock)	99	116-0164	1	Filter-Hydro ●
4	109-3388	1	Belt	99	116-1218	1	Bottle,Oil 1 Gallon Hydraulic ●
5	116-6317	1	Spring-Extension	99	116-3270	1	Kit, Hydro Service ●
6	116-7558	1	Cradle-Hydro	99:1	109-9828	4	Bottle-Oil, 32Oz Hydraulic ●
7	116-1502	1	Bolt-Shoulder, Carriage	99:2	109-3388	1	Belt
8	126-0095	6	Screw-CARR	99:3	116-0164	2	Filter-Hydro ●
9	99-5107	6	Nut-Lock				
10	325-8	4	Screw-HH				

● Not illustrated

LH Hydro Assembly No. 126-1325

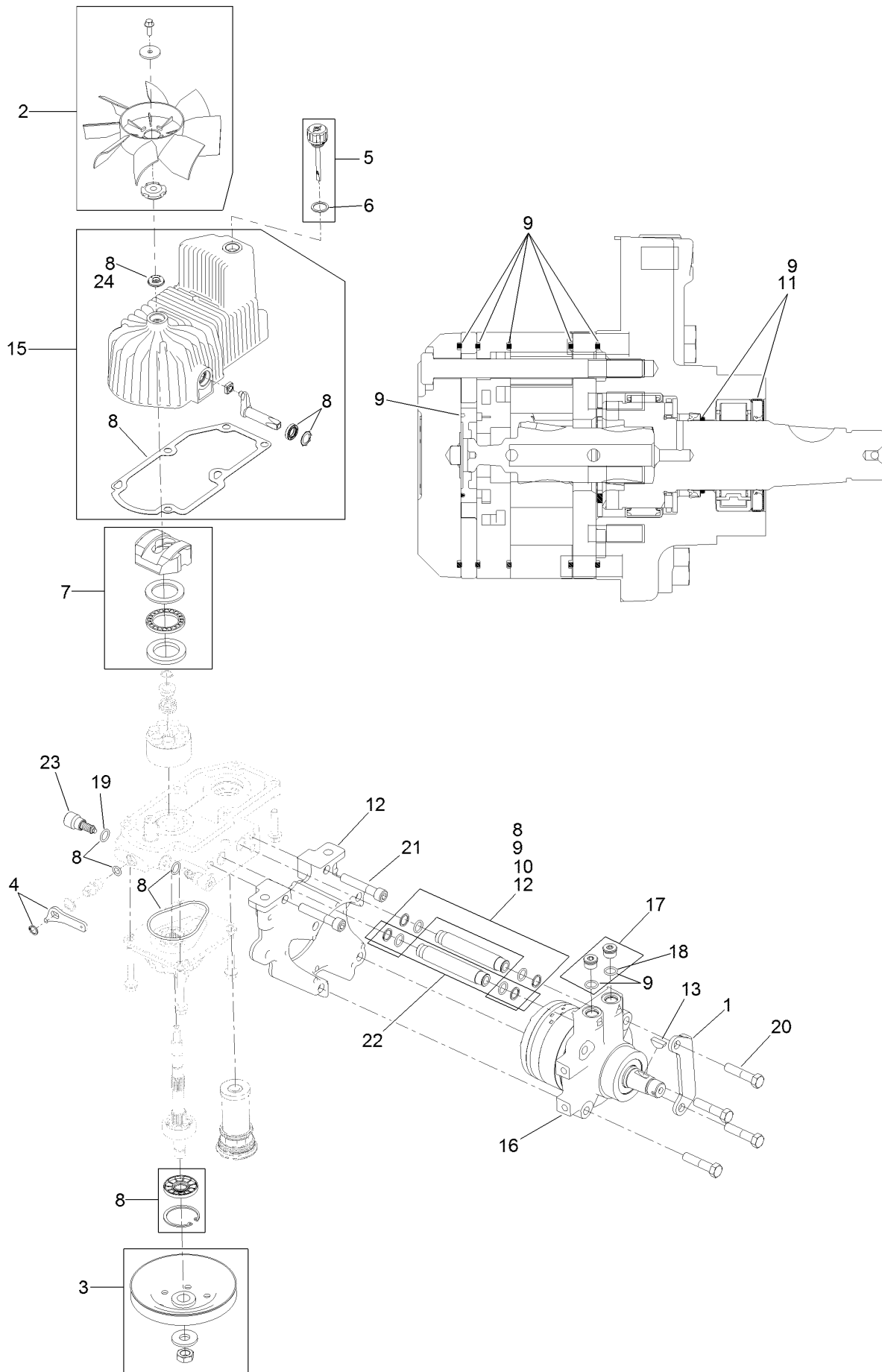


LH Hydro Assembly No. 126-1325 (continued)

<i>Ref.</i>	<i>Part Number</i>	<i>Qty.</i>	<i>Description</i>	<i>Ref.</i>	<i>Part Number</i>	<i>Qty.</i>	<i>Description</i>
2	116-0233	1	Fan Kit	15	116-3287	1	Housing-LH
3	116-0234	1	Pulley Kit	16	116-8917	1	Motor-Hydraulic, LH 280Cc
4	116-0235	1	Handle-Bypass Valve, Hydro	17	116-7901	1	Magnetic Plugs Service Kit
5	116-0236	1	Dipstick-Hydro W/Gasket	18	76-1900	2	O-Ring
6	116-0237	1	Gasket-Dipstick, Hydro	19	116-8662	2	O-Ring-Check Valve
7	116-1367	1	Swash Block Kit	20	116-8974	4	Screw HH
8	116-1368	1	Pump Seal Kit	21	116-8975	2	Screw-HSH
9	116-1369	1	Motor Seal Kit	22	116-9922	2	Hydraulic Tube Kit
10	116-1370	1	Tube Seal Kit	23	126-7467	2	Shock Valve, 16Cc Hydro
11	116-1371	1	Output Shaft Seal Kit	24	126-7711	1	Seal-Fan Drive
12	116-5469	1	Nose Cup-Uht	99	116-1373	1	Flow Test Kit ●
13	3257-42	1	Key-Woodruff	99	116-4245	1	Puller-Pulley

● Not illustrated

RH Hydro Assembly No. 126-1326

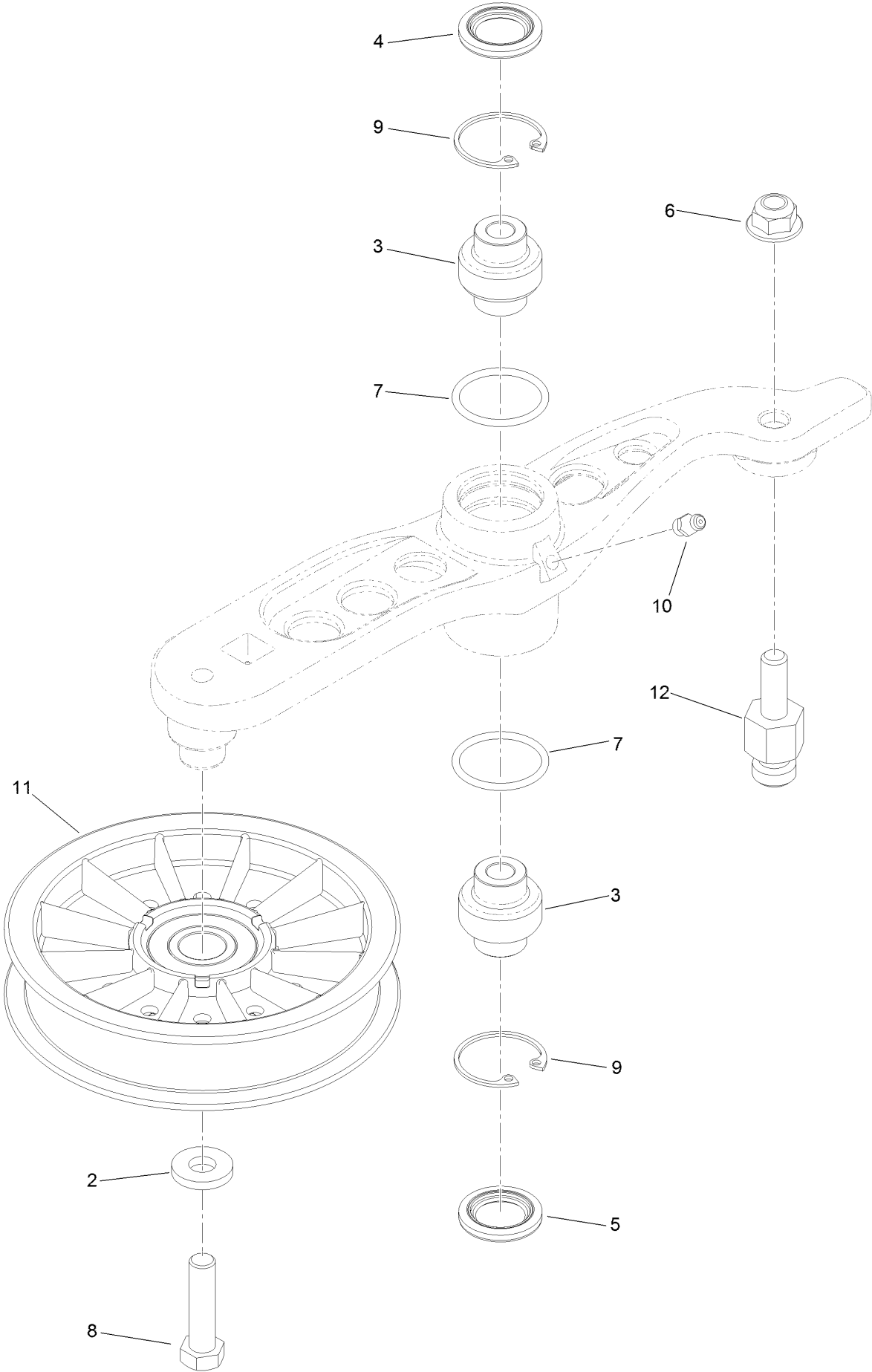


RH Hydro Assembly No. 126-1326 (continued)

<i>Ref.</i>	<i>Part Number</i>	<i>Qty.</i>	<i>Description</i>	<i>Ref.</i>	<i>Part Number</i>	<i>Qty.</i>	<i>Description</i>
1	116-9063	1	Mount-Shoe, Horse	13	3257-42	1	Key-Woodruff
2	116-0233	1	Fan Kit	15	116-3288	1	Housing-RH
3	116-0234	1	Pulley Kit	16	116-8918	1	Motor-Hydraulic, RH 280Cc
4	116-0235	1	Handle-Bypass Valve, Hydro	17	116-7901	1	Magnetic Plugs Service Kit
5	116-0236	1	Dipstick-Hydro W/Gasket	18	76-1900	2	O-Ring
6	116-0237	1	Gasket-Dipstick, Hydro	19	116-8662	2	O-Ring-Check Valve
7	116-1367	1	Swash Block Kit	20	116-8974	4	Screw HH
8	116-1368	1	Pump Seal Kit	21	116-8975	2	Screw-HSH
9	116-1369	1	Motor Seal Kit	22	116-9922	2	Hydraulic Tube Kit
10	116-1370	1	Tube Seal Kit	23	126-7467	2	Shock Valve, 16Cc Hydro
11	116-1371	1	Output Shaft Seal Kit	24	126-7711	1	Seal-Fan Drive
12	116-5469	1	Nose Cup-Uht	99	116-1373	1	Flow Test Kit ●
				99	116-4245	1	Puller-Pulley

● Not illustrated

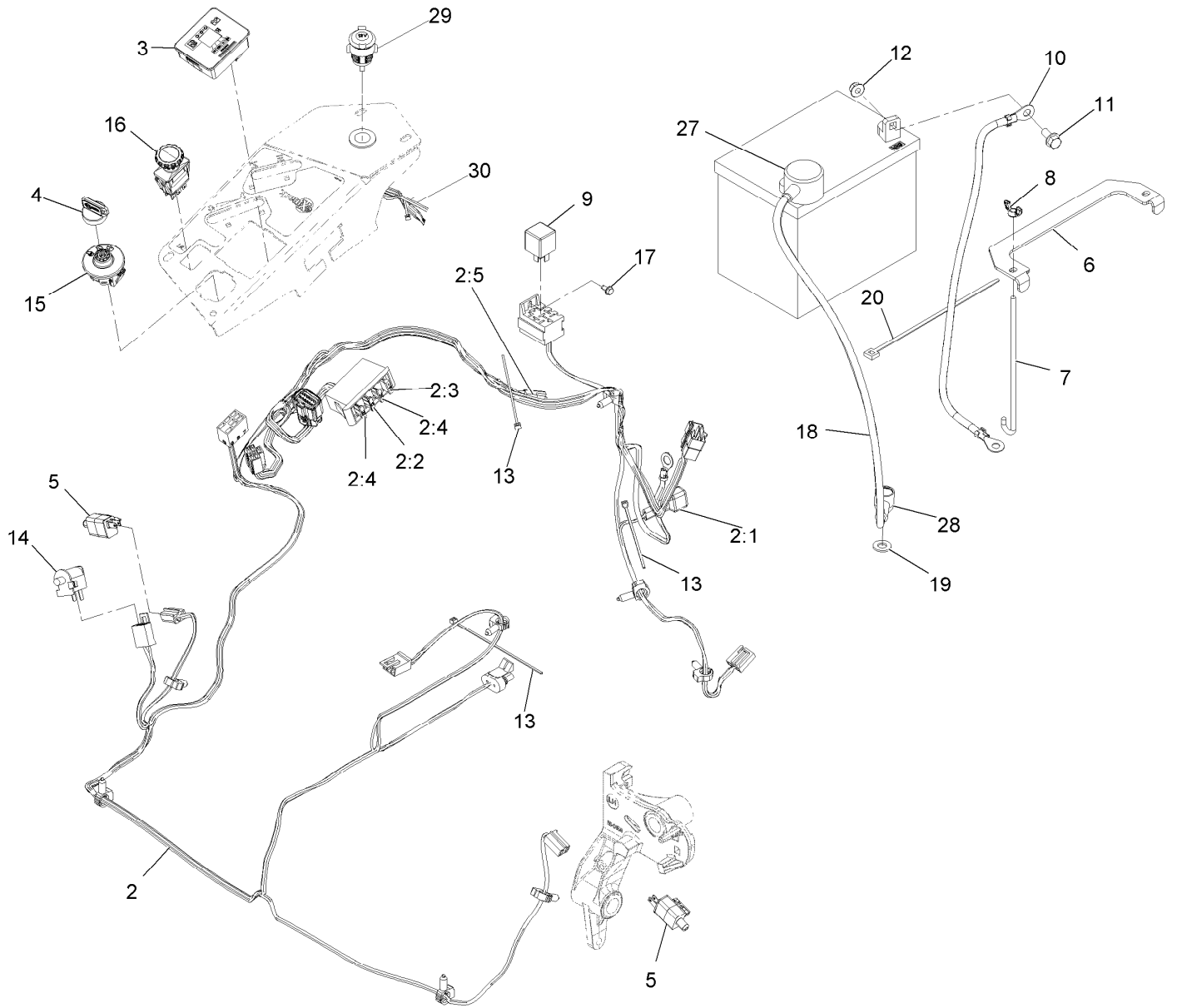
Pump Idler Assembly No. 116-1255



Pump Idler Assembly No. 116-1255 (continued)

<i>Ref.</i>	<i>Part Number</i>	<i>Qty.</i>	<i>Description</i>	<i>Ref.</i>	<i>Part Number</i>	<i>Qty.</i>	<i>Description</i>
2	43-0940	1	Spacer	8	323-8	1	Screw-HH
3	103-3504	2	Bearing-Spherical	9	32120-10	2	Ring-Snap
4	103-3505	1	Seal-Double Lip	10	302-19	1	Fitting-Grease
5	103-3506	1	Seal-Lip, Single	11	109-8076	1	Pulley-Idler
6	109-6658	1	Nut-Flange, NI	12	132-4724	1	Pin-Anchor, Spring
7	106-7159	2	O-Ring				

Electrical Assembly



Electrical Assembly (continued)

<i>Ref.</i>	<i>Part Number</i>	<i>Qty.</i>	<i>Description</i>	<i>Ref.</i>	<i>Part Number</i>	<i>Qty.</i>	<i>Description</i>
2	116-6009	1	Harness-Wire, Main ●	11	3234-5	2	Screw-HH Flg 5/16-18 X 3/4
2:1	103-3895	1	Diode	12	104-8300	2	Nut-Nyloc 5/16-18 Flg
2:2	218-578	1	Fuse-Blade, 10 Amp	13	1-303287	3	Tie-Cable 5 1/2 (Small)
2:3	109355	1	Fuse-Blade, 15 Amp	14	82-2190	1	Switch
2:4	109102	2	Fuse-Blade, 25 Amp	15	117-2221	1	Switch-Ignition
2:5	116-0053	1	Cap-Plug	16	116-0124	1	Switch-PTO, 10 Amp
3	117-3882	1	Fuel/Hour Meter ASM	17	104-2065	1	Screw-HWH #10-24 X 3/8
4	103-2106	1	Key-Exmark Logo	18	115-3864	1	Cable-Battery, Positive
5	110-6765	2	Switch	19	3256-24	1	Washer-3/8 SAE
6	116-0042-03	1	Strap-Tie Down, Battery	20	1-303335	1	Tie-Cable 7 15/16 (Large)
7	1-633651	2	Bolt-Holddown	27	109-2407	1	Insulator-Battery
8	1-543792	2	Wingnut-Nyloc 1/4-20	28	1-543393	1	Insulator-Solenoid
9	1-643275	1	Relay-12Vdc 40 Amp	29	109-9376	1	Receptacle-12V
10	114-1218	1	Cable-Battery, Negative	30	109-9693	1	Harness, Receptacle 12V

● Use dielectric grease on all unsealed connectors and terminals only. Do not apply in sealed connectors.

Notes:



MAXIMIZE THE PERFORMANCE OF YOUR EXMARK MACHINE.



EXMARK® PREMIUM ENGINE OIL

Exmark now offers a family of engine oil viscosities to perform well in any environment. Each viscosity has the same synthetic formulation to give you what you need in punishing conditions. We designed each grade to the highest quality, making it ideal even for diesel applications. Coupled with Exmark Premium Fuel Treatment, we have the performance products to make your machine hum.

EXMARK PREMIUM ENGINE OIL SAE 30/10W-30

- Meets zero shear requirements of a straight grade SAE 30 as well as the cold temp properties of a 10W-30.
- Most versatile oil in the industry.
- Superior corrosion protection over conventional oil - even in corrosive, humid environments.

EXMARK PREMIUM ENGINE OIL SAE 20W-50

- Perfect for your big block engine, or any application in severe service.
- Same full synthetic formulation as all other Exmark Premium viscosities.
- Also effective for use in severe service small block engines.

EXMARK PREMIUM ENGINE OIL SAE 10W-50

- Full synthetic formulation gives you peak performance. Don't settle for less.
- Wide span multi-grade combines easy starting in cold weather with maximum protection in high temperature operation.
- Reduce friction & wear over standard mineral formulations.

EXMARK PREMIUM ENGINE OIL SAE 0W-40

- The perfect choice for when the weather turns cold or unpredictable, and your Exmark UTV has to perform.
- Commercial quality for severe service.
- Advanced additive package helps prevent corrosion from long-term storage.

EXMARK PREMIUM ENGINE OIL UTV FORMULATION

- 4-cycle high-temp formulation.
- Heavier viscosity, full synthetic, perfect for your UTV.

EXMARK PREMIUM UTV EXTREME CONDITIONS GEAR OIL

- SAE 80W-90, designed to keep your UTV performing at its peak.
- Shear stable, hypoid gear lube.
- Includes a premium additive system to combat wear, oxidation, rust & corrosion.

Available from your local Exmark dealer. Find your closest dealer at exmark.com

EXMARK ACCESSORIES AND OPTIONS*

MID-MOUNT RIDING ACCESSORIES AND OPTIONS

CUSTOM RIDE SEAT SUSPENSION SYSTEM	OPERATOR CONTROLLED DISCHARGE
FULL SUSPENSION SEAT	SUN SHADE
DECK LIFT ASSIST KIT	TRASH CONTAINER
HITCH KIT	TURF STRIPER
LIGHT KIT	ULTRA VAC COLLECTION SYSTEM
12V POWER PORT	ULTRA VAC QUICK DISPOSAL SYSTEM
MICRO-MULCH SYSTEM	

OUT-FRONT RIDING ACCESSORIES AND OPTIONS

CUSTOM RIDE SEAT SUSPENSION SYSTEM	SNOW BLADE
DUAL-TAIL WHEEL	SNOWBLOWER
FLOOR PAN EXTENDER	SUN SHADE
HITCH KIT	TRASH CONTAINER
LIGHT KIT	ULTRA VAC COLLECTION SYSTEM
MICRO-MULCH SYSTEM	ULTRA VAC QUICK DISPOSAL SYSTEM
ROLL OVER PROTECTION SYSTEM (ROPS)	WEATHER CAB

WALK-BEHIND ACCESSORIES AND OPTIONS

GRASS CATCHER	TURF STRIPER
MICRO-MULCH SYSTEM	STANDON

*Some accessories and options not available for some models.

Place Model No. and Serial No.
Label Here (Included in the Literature
Pack) or Fill in Below

Model No. _____

Serial No. _____

Date Purchased _____

Engine Model No. and Spec. No. _____

Engine Serial No. (E/No) _____

© 2017 Exmark Mfg. Co., Inc.
Industrial Park Box 808
Beatrice, NE 68310
All Rights Reserved

Part No. 4503-177 Rev. A
(402) 223-6375
Fax (402) 223-5489
Printed in the USA.

