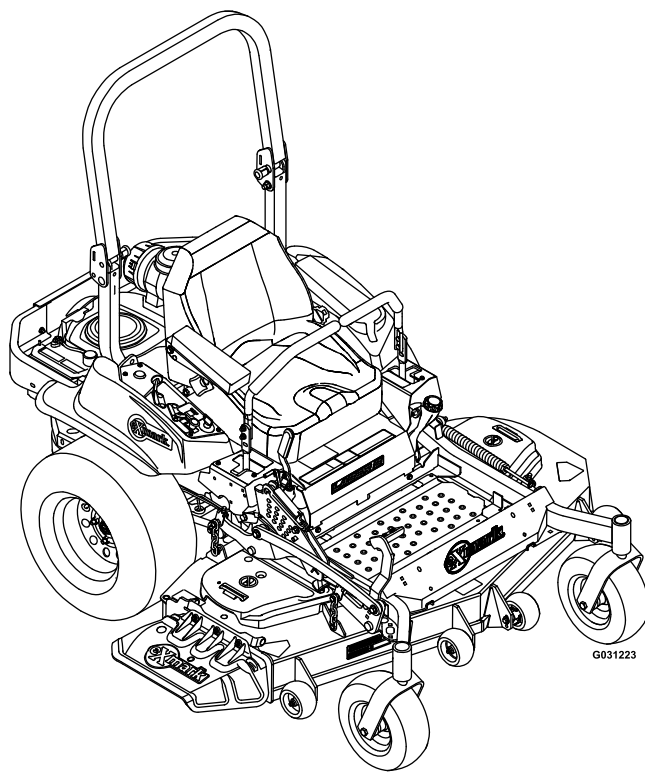




LAZER Z[®] E-SERIES

Model No. LZE740EKC60400—Serial No. 40000000 and Up

Picture below may not reflect actual product.



Parts Manual

Part No. 4503-138 Rev. A

Ordering Replacement Parts

To order replacement parts, please supply the part number, the quantity, and the description of each part desired.

Understanding Reference Numbers

Each identified part in an illustration has a reference number. The reference number for a part also appears in the parts list, along with other information about the part.

This catalog uses two special reference number formats, one to indicate parts in a service assembly and another to indicate the quantity of a given part in an illustration.

Service Assembly Reference Numbers

Parts in service assemblies have reference numbers in the form a:b. The a represents the reference number of the entire service assembly and the b represents a sequential number unique to each part within the service assembly.

For example, a wheel assembly might be identified by reference number 6, the tire by 6:1, the valve by 6:2, and the wheel by 6:3. When you order the assembly identified by reference number 6, you receive all parts identified by reference numbers 6:1, 6:2, and 6:3. However, you may also order any part individually. Reference numbers of this type appear in illustration and in parts lists.

Reference Numbers Indicating Quantity

In an illustration, if a reference number indicates more than one part, the reference number has the form nX y. The n represents the quantity of the part, the X is the multiplication symbol, and the y represents the reference number.

For example, in an illustration, the reference number 2X 37 means that two of the parts identified by reference number 37 are indicated.

List of Abbreviations

| | | |
|--|--|--|
| AR: as required | HLH: hex lag head | PTH: phillips truss head |
| ASM: assembly | HOC: height-of-cut | PTO: power-take-off |
| BBC: blade brake control | HP: high pressure | RH: right hand |
| BHTF: button head thread forming | HSBH: hex socket button head | ROPS: roll-over protection system |
| CARR: carriage | HSFH: hex socket flat head | RRB: rear roller brush |
| CCW: counter clockwise | HSH: hex socket head | SFH: slotted fillister head |
| CW: clockwise | HWH: hex washer head | SHH: slotted hex head |
| DEG: degrees | HWHTF: hex washer head thread forming | SHWH: slotted hex washer head |
| DPA: Dual Point Adjustment | HYD: hydraulic | SPH: slotted pan head |
| ECM: electronic control module | LH: left hand | SQH: square head |
| EXT: external | LP: low pressure | SRH: slotted round head |
| FH: flat head | LPG: Liquefied Petroleum Gas | STD: standard |
| GA: gauge | NI: nylon insert | TAP: self tapping |
| HD: heavy-duty | NPTF: national pipe thread fine | TTH: torx truss head |
| HF: hex flange | PFH: phillips flat head | |
| HH: hex head | PPH: phillips pan head | |
| HHF: hex head flange | PPHTF: phillips pan head thread forming | |
| HHFTF: hex head flange thread forming | PRH: phillips round head | |
| HJ: hex jam | | |

Touch Up Paint

Exmark black touch up spray paint – gloss black.

Exmark red touch up paint (spray paint – P/N 1-850337 - .6 oz liquid bottle – P/N 103-9140).

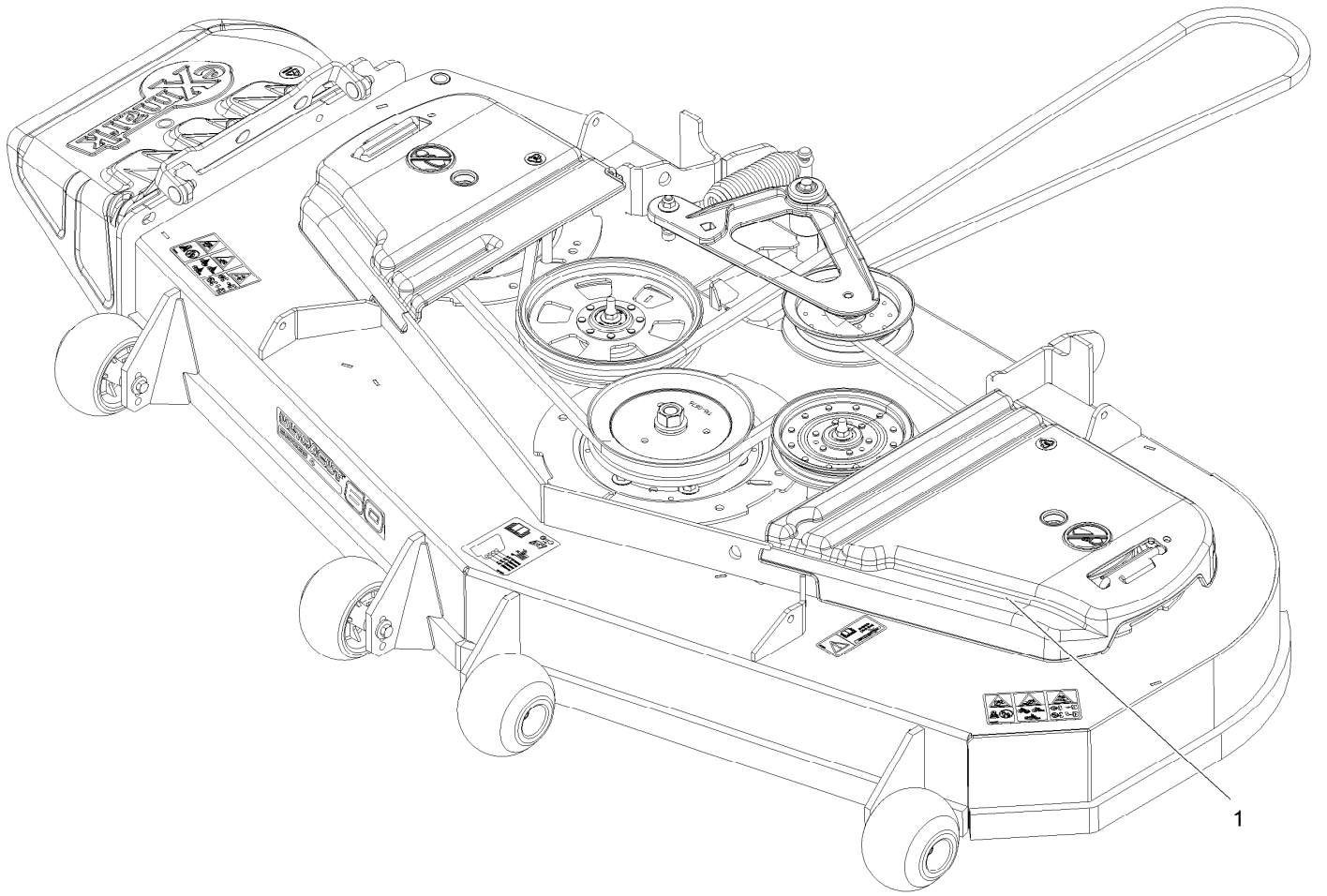


If your Exmark dealer does not have the Exmark part in stock, Exmark will get the parts to the dealer the next business day or the part will be FREE Guaranteed!! (Some restrictions apply. See your participating Exmark Dealer for details.)

Contents

| | |
|--|----|
| Complete Deck Assembly..... | 4 |
| Deck Assembly..... | 6 |
| Deck W/Decals Assembly No. 116-4232..... | 8 |
| Idler Assembly..... | 10 |
| Main Frame Assembly..... | 12 |
| E-Series Decal..... | 14 |
| Roll-Over Protection System..... | 16 |
| Roll-Over Protection System Assembly No. 116-2882..... | 18 |
| Front Caster and Fork Assembly..... | 20 |
| Caster Wheel and Fork Assembly..... | 22 |
| Deck Lift Assembly..... | 24 |
| Height-of-Cut Assembly No. 109-7438..... | 26 |
| Control Assembly..... | 28 |
| Motion Control Assembly..... | 30 |
| Park Brake Assembly..... | 32 |
| Rear Wheel Assembly..... | 34 |
| Seat Assembly..... | 36 |
| Seat W/Tracks Assembly No. 126-1366..... | 38 |
| Fuel Tank Assembly..... | 40 |
| Fuel Tank Assembly No. 126-6493..... | 42 |
| Engine Assembly..... | 44 |
| Hydraulic Assembly..... | 46 |
| LH Hydro Assembly No. 126-1323..... | 48 |
| RH Hydro Assembly No. 126-1324..... | 50 |
| Pump Idler Assembly No. 116-1255..... | 52 |
| Electrical Assembly..... | 54 |

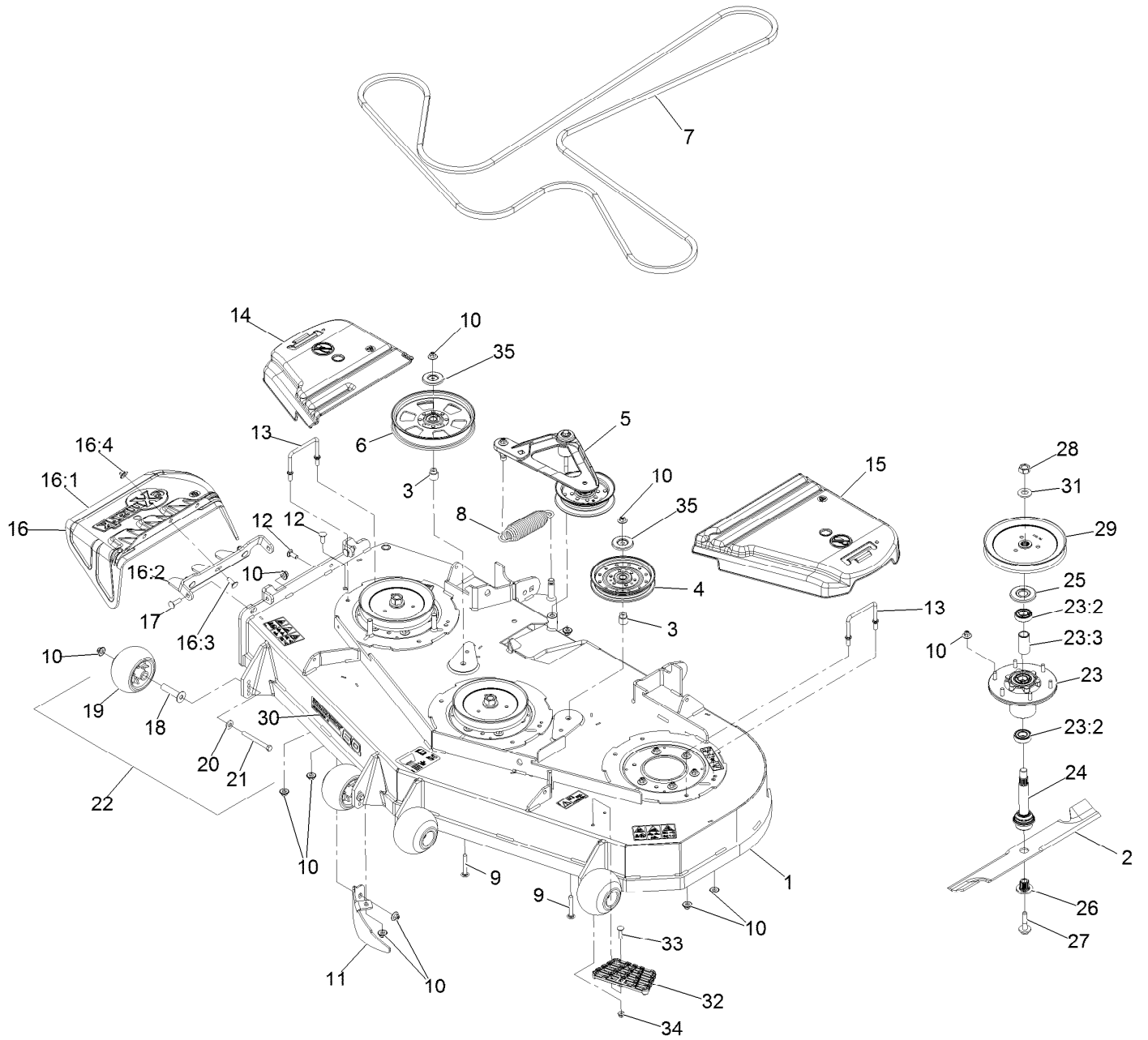
Complete Deck Assembly



Complete Deck Assembly (continued)

| <i>Ref.</i> | <i>Part Number</i> | <i>Qty.</i> | <i>Description</i> |
|-------------|--------------------|-------------|-----------------------|
| 1 | 116-3599 | 1 | ASM,604 Deck Complete |

Deck Assembly



Deck Assembly (continued)

| <i>Ref.</i> | <i>Part Number</i> | <i>Qty.</i> | <i>Description</i> | <i>Ref.</i> | <i>Part Number</i> | <i>Qty.</i> | <i>Description</i> |
|-------------|--------------------|-------------|------------------------------|-------------|--------------------|-------------|------------------------------|
| 1 | 116-4232 | 1 | Deck ASM,W/Decals 60 | 17 | 3231-28 | 2 | Bolt-Carriage 3/8-16 X 1 1/4 |
| 2 | 116-5174 | 3 | Blade-Extreme 2, 20.50" | 18 | 116-8131 | 4 | Axle, Roller |
| 2 | 103-6403 | 3 | Blade, Notched | 19 | 103-8415 | 4 | Roller-Anti-Scalp |
| 2 | 103-6393 | 3 | Blade, Mulching ▲ | 20 | 98-5975 | 4 | Washer-Spring Disc 3/8 |
| 2 | 103-6388 | 3 | Blade, Low Lift | 21 | 116-9362 | 4 | Screw-HH 3/8-16 X 3 3/4 Gr 8 |
| 2 | 103-6383 | 3 | Blade, Solid | 22 | 116-9981 | 3 | Kit, Anti-Scalp Roller |
| 3 | 1-633456 | 2 | Bushing, Idler | 23 | 116-3344 | 3 | ASM-Cutter Hsg With Bearings |
| 4 | 126-7685 | 1 | Idler-Pulley, Flat 6.00X0.75 | 23:2 | 116-0720 | 2 | Bearing-Ball |
| 5 | 116-3755 | 1 | Deck Idler ASM | 23:3 | 116-3312 | 1 | Spacer-Bearing |
| 6 | 116-9639 | 1 | Pulley-Idler, Flat | 24 | 116-3341 | 3 | ASM-Spindle And Seal |
| 7 | 109-8073 | 1 | Belt,V-5V-198.75 | 25 | 116-1286 | 3 | Guard,Bearing Top .989 |
| 8 | 116-6317 | 1 | Spring-Extension | 26 | 103-3037 | 3 | Bushing, Splined |
| 9 | 3231-44 | 2 | Bolt-Carriage 3/8-16 X 2 1/2 | 27 | 109-9220 | 3 | Screw-Sems 1/2-20 X 2.19 ●◆ |
| 10 | 109-6658 | 32 | Nut-Nyloc 3/8-16 Flg | 28 | 116-7306 | 3 | Nut-Hex ■ |
| 11 | 116-5614-01 | 1 | Dogleg - Lz60 | 29 | 116-0676 | 3 | Sheave,Blade Drive 7.25 |
| 12 | 3231-22 | 2 | Bolt-Carriage 3/8-16 X 1 | 30 | 126-6589 | 1 | Decal, 604 |
| 13 | 109-6982 | 2 | Wireform-Cover | 31 | 103-2802 | 3 | Washer-Spring Disc 3/4 |
| 14 | 116-0094 | 1 | Cover-Belt, RH | 32 | 126-4781-03 | 1 | Step-Deck |
| 15 | 109-6938 | 1 | Cover-Belt, LH | 33 | 3230-3 | 1 | Screw-CARR |
| 16 | 109-7188 | 1 | ASM,Discharge Chute | 34 | 104-8300 | 1 | Nut-Flange, NI |
| 16:1 | 109-2738 | 1 | Chute, Discharge | 35 | 126-8043 | 2 | Shield-Dust |
| 16:2 | 109-8675-01 | 1 | Bracket,Discharge Chute | | | | |
| 16:3 | 3231-22 | 3 | Bolt-Carriage 3/8-16 X 1 | | | | |
| 16:4 | 109-6658 | 3 | Nut-Nyloc 3/8-16 Flg | | | | |

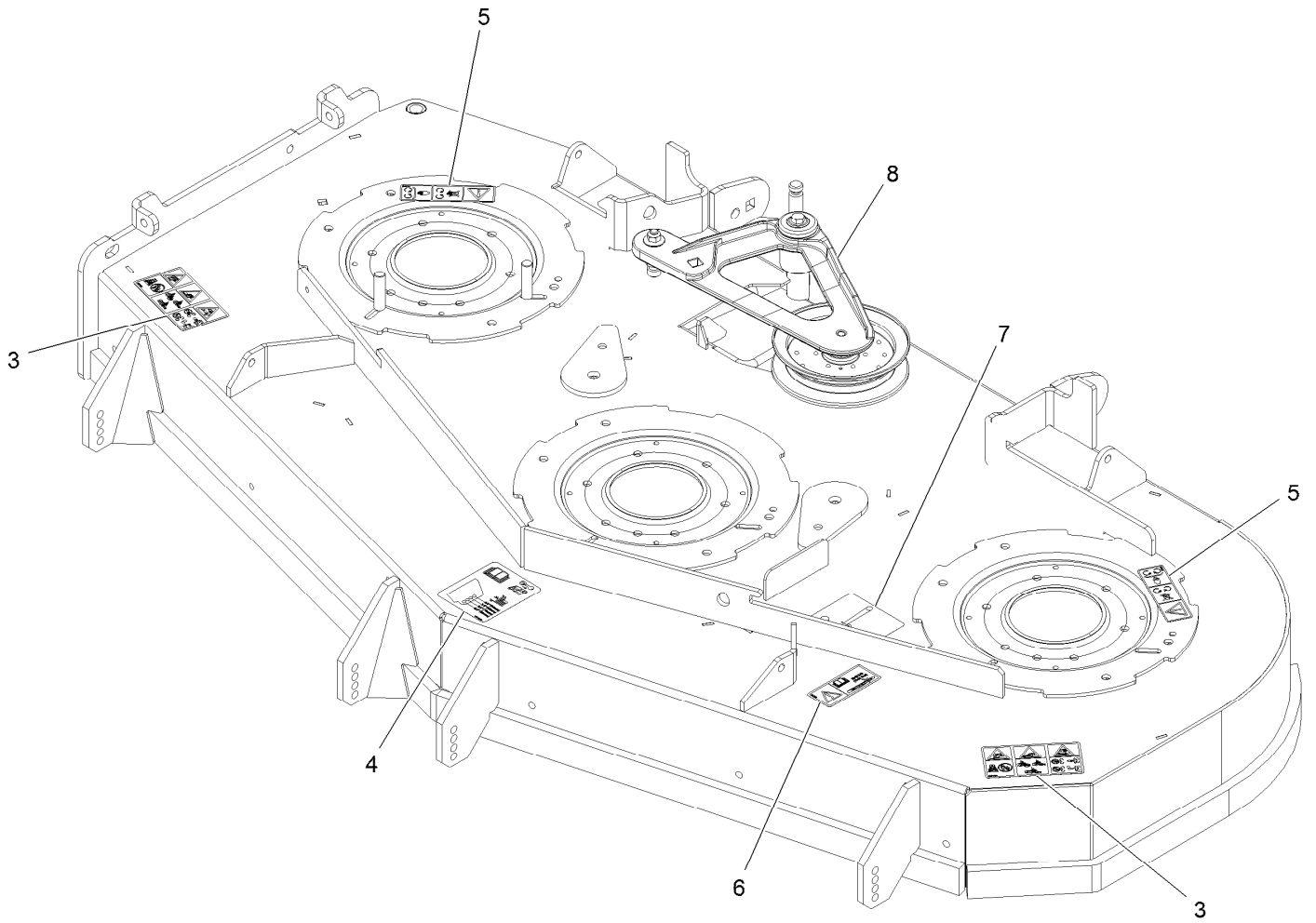
● Torque to 50-60 ft-lb

■ Torque to 130-160 ft-lb

▲ Requires installation of mulch kit for proper mulching. See your Exmark dealer for details.

◆ Apply lubricant to threads as needed to prevent seizing. Copper based anti-seize preferable. Grease is an acceptable substitute.

Deck W/Decals Assembly No. 116-4232



Deck W/Decals Assembly No. 116-4232 (continued)

| <i>Ref.</i> | <i>Part Number</i> | <i>Qty.</i> | <i>Description</i> | <i>Ref.</i> | <i>Part Number</i> | <i>Qty.</i> | <i>Description</i> |
|-------------|--------------------|-------------|--------------------------------|-------------|--------------------|-------------|--------------------|
| 3 | 126-6464 | 2 | Decal-Danger Thrown Objects | 6 | 116-8283 | 1 | Decal-Bolt Torque |
| 4 | 109-6036 | 1 | Decal-Roller, Anti-Scalp | 7 | 116-8727 | 1 | Decal-Belt Routing |
| 5 | 112-9028 | 2 | Decal-Missing, Cover | 8 | 116-3755 | 1 | Deck Idler ASM |

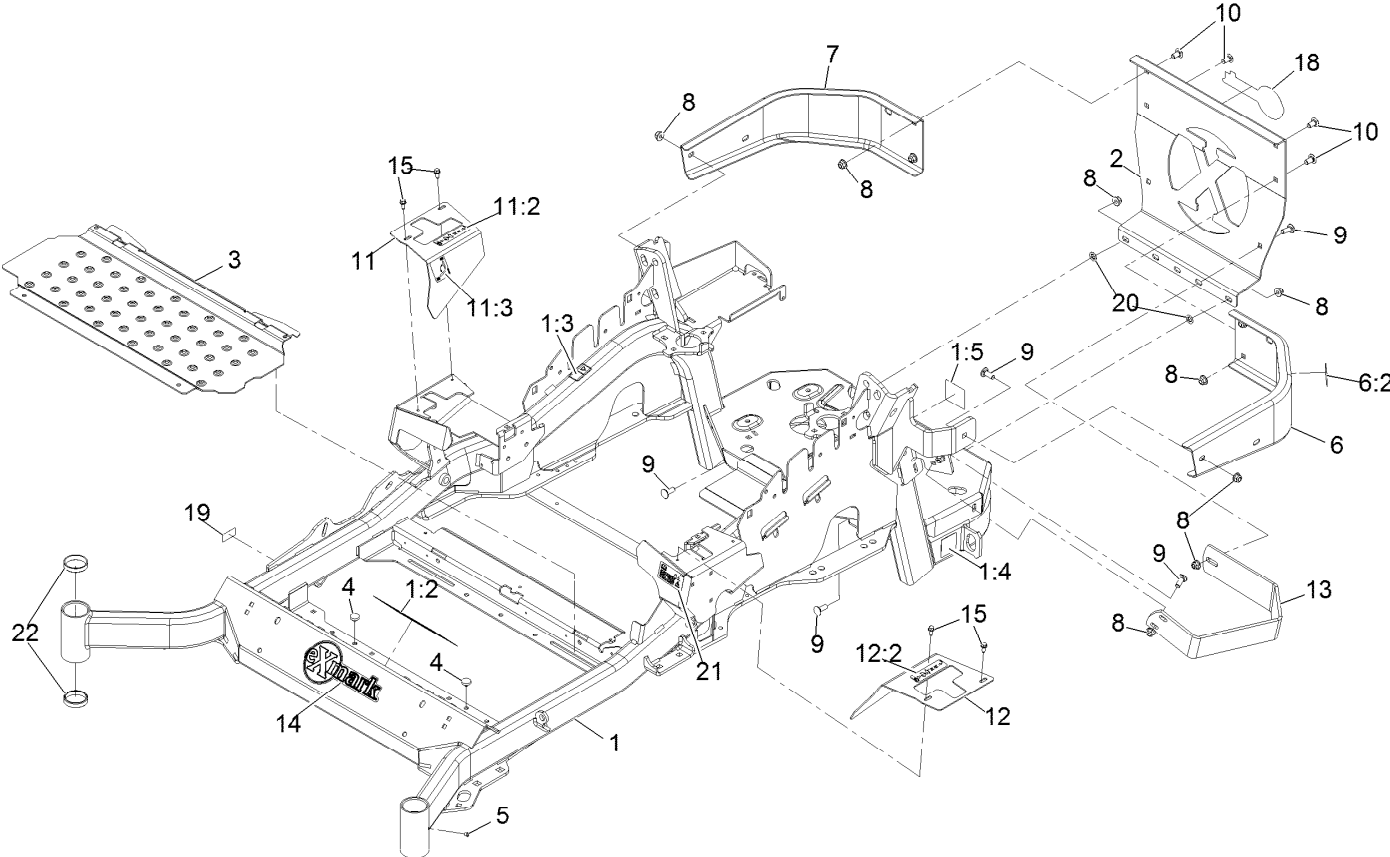
Idler Assembly



Idler Assembly (continued)

| <i>Ref.</i> | <i>Part Number</i> | <i>Qty.</i> | <i>Description</i> | <i>Ref.</i> | <i>Part Number</i> | <i>Qty.</i> | <i>Description</i> |
|-------------|--------------------|-------------|------------------------------|-------------|--------------------|-------------|--------------------|
| 1 | 43-0940 | 1 | Spacer | 9 | 126-0423 | 1 | Pin-Spring, Anchor |
| 2 | 103-2916 | 1 | Guard-Top | 10 | 109-6658 | 2 | Nut-Flange, NI |
| 3 | 103-3504 | 2 | Bearing-Spherical | 11 | 109-7409 | 1 | Screw-Shoulder, HH |
| 4 | 103-3505 | 1 | Seal-Double Lip | 12 | 323-8 | 1 | Screw-HH |
| 5 | 103-3506 | 1 | Seal-Lip, Single | 13 | 32120-10 | 2 | Ring-Snap |
| 6 | 126-9196 | 1 | Idler-Pulley, Flat 5.00X0.87 | 14 | 302-19 | 1 | Fitting-Grease |
| 7 | 106-7159 | 2 | O-Ring | 15 | 126-9195 | 1 | Guard-Dust Shield |

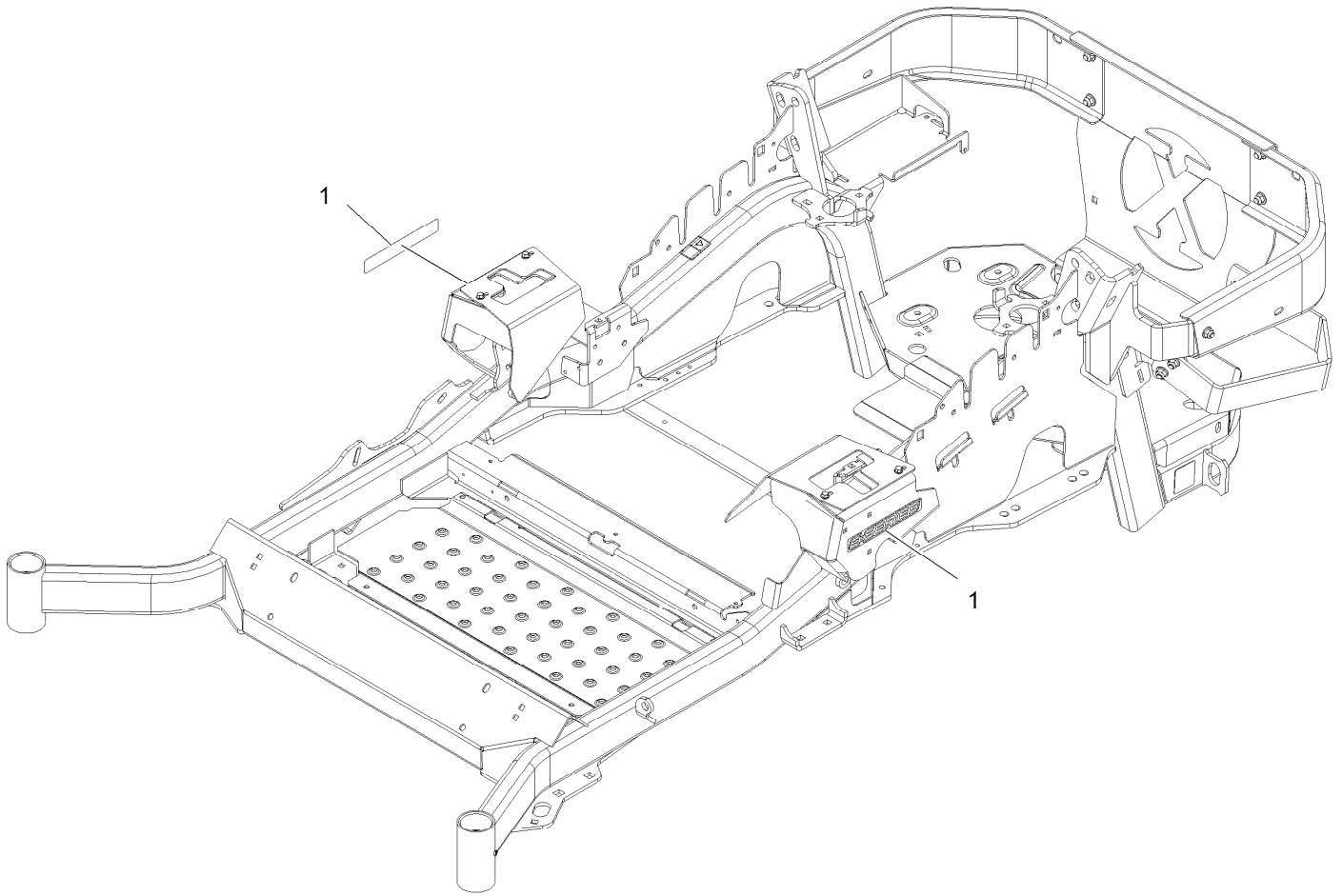
Main Frame Assembly



Main Frame Assembly (continued)

| <i>Ref.</i> | <i>Part Number</i> | <i>Qty.</i> | <i>Description</i> | <i>Ref.</i> | <i>Part Number</i> | <i>Qty.</i> | <i>Description</i> |
|-------------|--------------------|-------------|------------------------------|-------------|--------------------|-------------|-----------------------------|
| 1 | 116-5902 | 1 | Mainframe ASM | 11 | 116-5899 | 1 | RH Motion Control Cover ASM |
| 1:2 | 132-0871 | 1 | Decal-Danger | 11:2 | 99-8936 | 1 | Decal-Control, Motion |
| 1:3 | 106-5517 | 2 | Decal-Warning, Hot Surface | 11:3 | 116-5988 | 1 | Decal-Park Brake, Ce |
| 1:4 | 106-2655 | 2 | Decal-Hazard, Pinched Finger | 12 | 116-0580 | 1 | LH Motion Control Cover ASM |
| 1:5 | 116-4858 | 1 | Decal-Spark Arrester | 12:2 | 99-8936 | 1 | Decal-Control, Motion |
| 2 | 109-8863-03 | 1 | Plate,Rear Guard | 13 | 126-2067-03 | 1 | Guard-Muffler |
| 3 | 116-8898-01 | 1 | Floorpan | 14 | 126-6969 | 1 | Decal-Exmark Logo |
| 4 | 1-513658 | 2 | Bumper | 15 | 32144-10 | 4 | Screw-HWH 1/4-20 X .62 |
| 5 | 1-811010 | 2 | Plug | 18 | 126-6965 | 1 | Decal-Exmark Logo |
| 6 | 116-0180 | 1 | LH Bumper ASM | 19 | 126-4345 | 1 | Decal-Patent |
| 6:2 | 106-5517 | 1 | Decal-Warning, Hot Surface | 20 | 107-3154 | 2 | Nut-Push 3/8-16 |
| 7 | 116-0057-03 | 1 | Bumper-RH | 21 | 117-3864 | 1 | Decal-Fuel Fill, Ce |
| 8 | 104-8301 | 11 | Nut-Nyloc 3/8-16 Flg | 22 | 1-543508 | 4 | Cup-Bearing Tapered Roller |
| 9 | 3231-22 | 7 | Bolt-Carriage 3/8-16 X 1 | | | | |
| 10 | 3231-21 | 4 | Bolt-Carriage 3/8-16 X 3/4 | | | | |

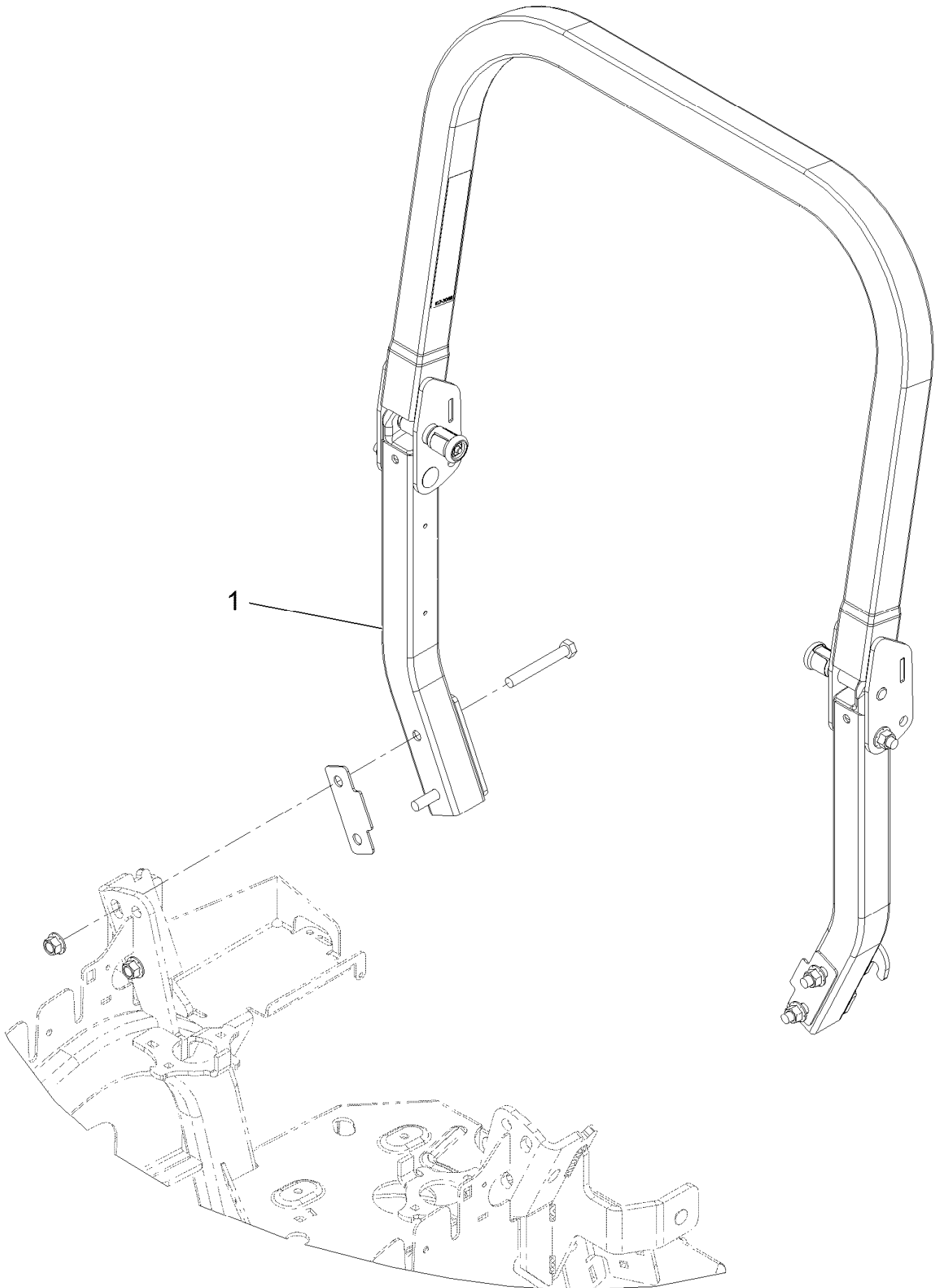
E-Series Decal



E-Series Decal (continued)

| <i>Ref.</i> | <i>Part Number</i> | <i>Qty.</i> | <i>Description</i> |
|-------------|--------------------|-------------|--------------------|
| 1 | 126-6571 | 2 | Decal-E-Series |

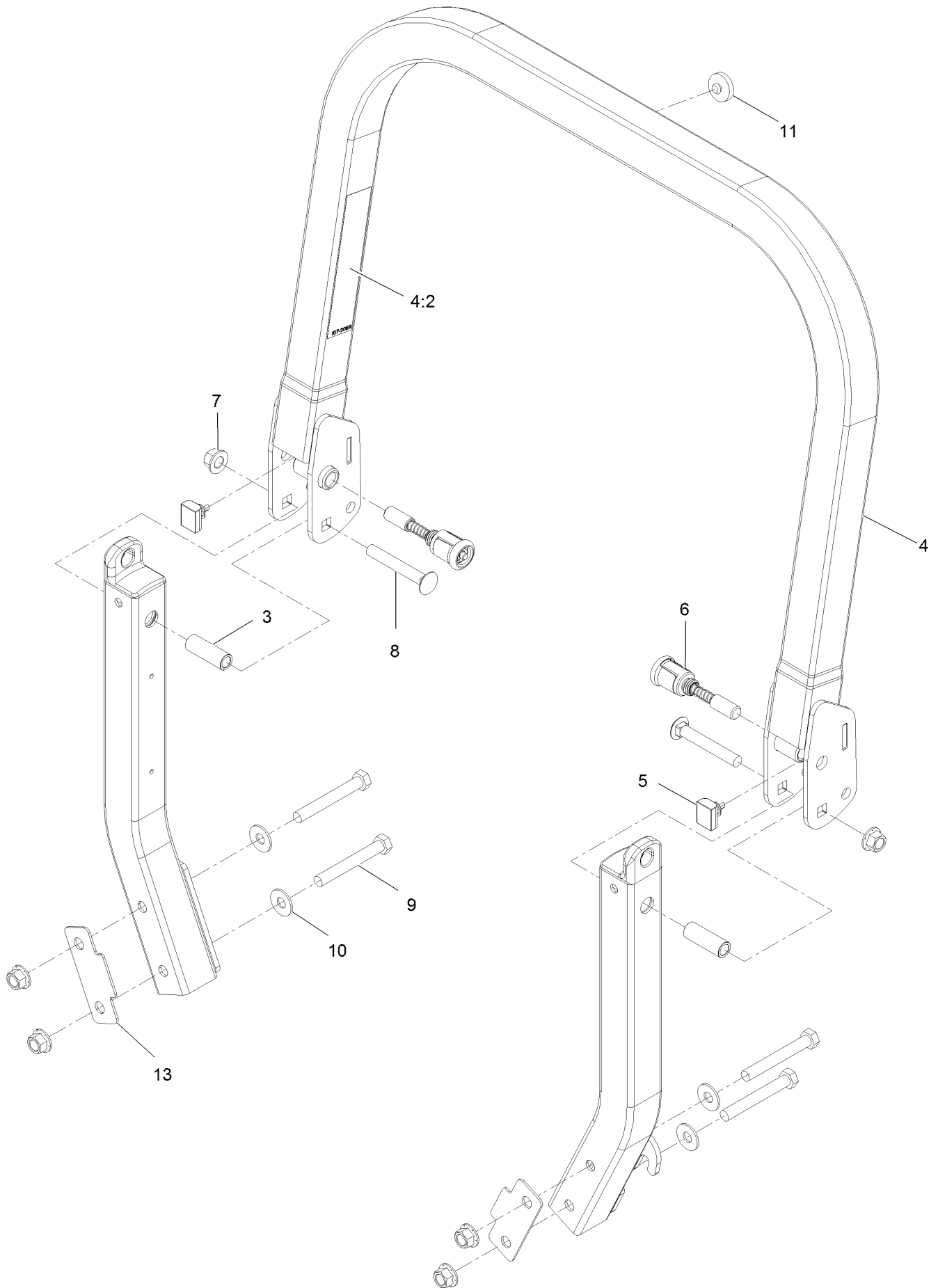
Roll-Over Protection System



Roll-Over Protection System (continued)

| <i>Ref.</i> | <i>Part Number</i> | <i>Qty.</i> | <i>Description</i> |
|-------------|--------------------|-------------|--------------------|
| 1 | 116-2882 | 1 | ROPS ASM |

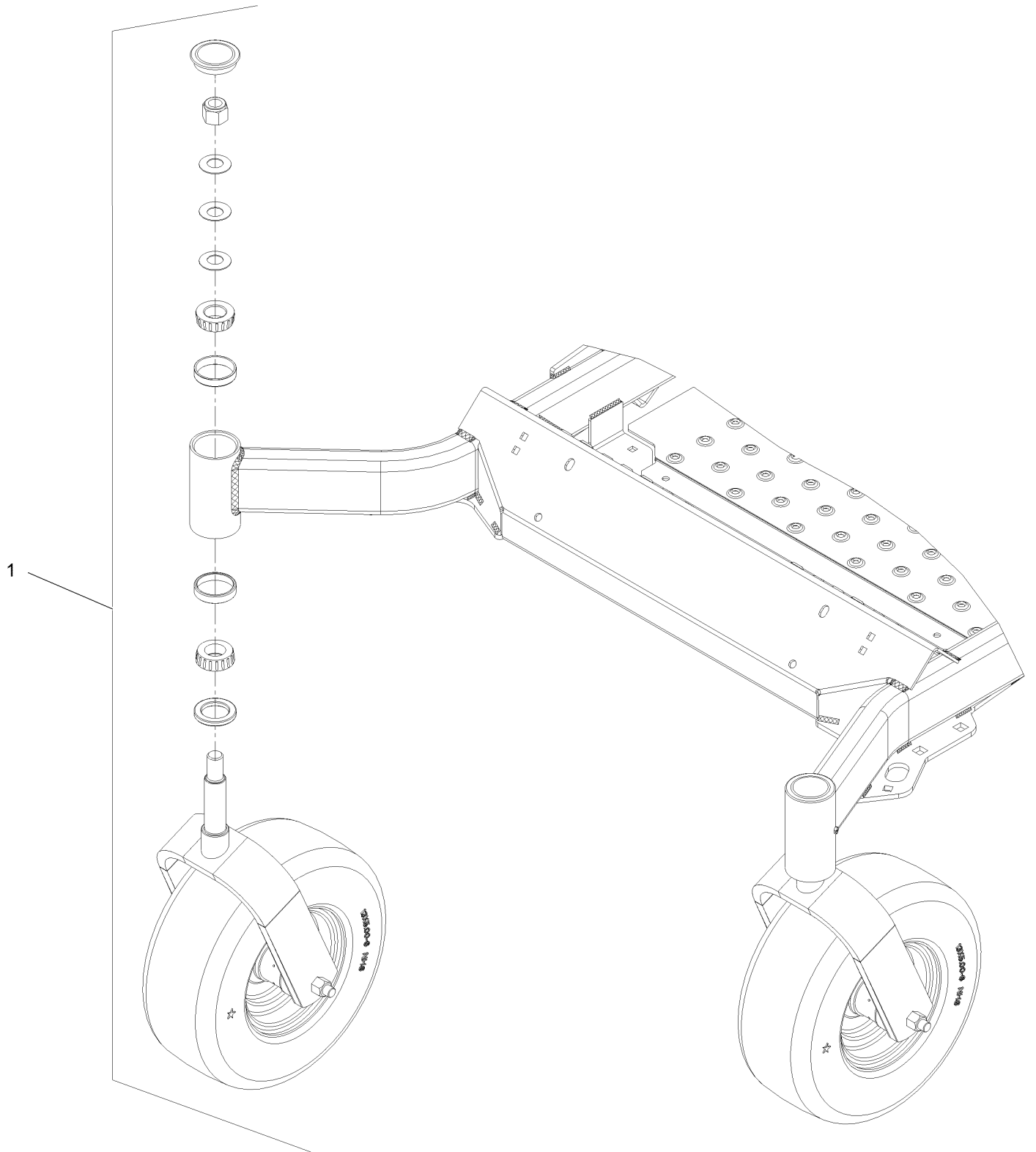
Roll-Over Protection System Assembly No. 116-2882



Roll-Over Protection System Assembly No. 116-2882 (continued)

| <i>Ref.</i> | <i>Part Number</i> | <i>Qty.</i> | <i>Description</i> | <i>Ref.</i> | <i>Part Number</i> | <i>Qty.</i> | <i>Description</i> |
|-------------|--------------------|-------------|--------------------|-------------|--------------------|-------------|------------------------------|
| 3 | 109-6653 | 2 | Spacer | 8 | 3233-10 | 2 | Bolt-Carriage 1/2-13 X 3 1/2 |
| 4 | 116-0019 | 1 | Upper ROPS ASM | 9 | 325-35 | 4 | Screw-HH |
| 4:2 | 107-3069 | 1 | Decal-Warning | 10 | 109-9505 | 4 | Washer, Spring Disc 1/2 |
| 5 | 109-5337 | 2 | Bumper-ROPS | 11 | 109-9233 | 1 | Bumper-Push-In, Rubber |
| 6 | 116-0104 | 2 | Pin-Spring | 13 | 116-0960 | 2 | Spacer |
| 7 | 99-5107 | 6 | Nut-Lock 1/2-13 | | | | |

Front Caster and Fork Assembly

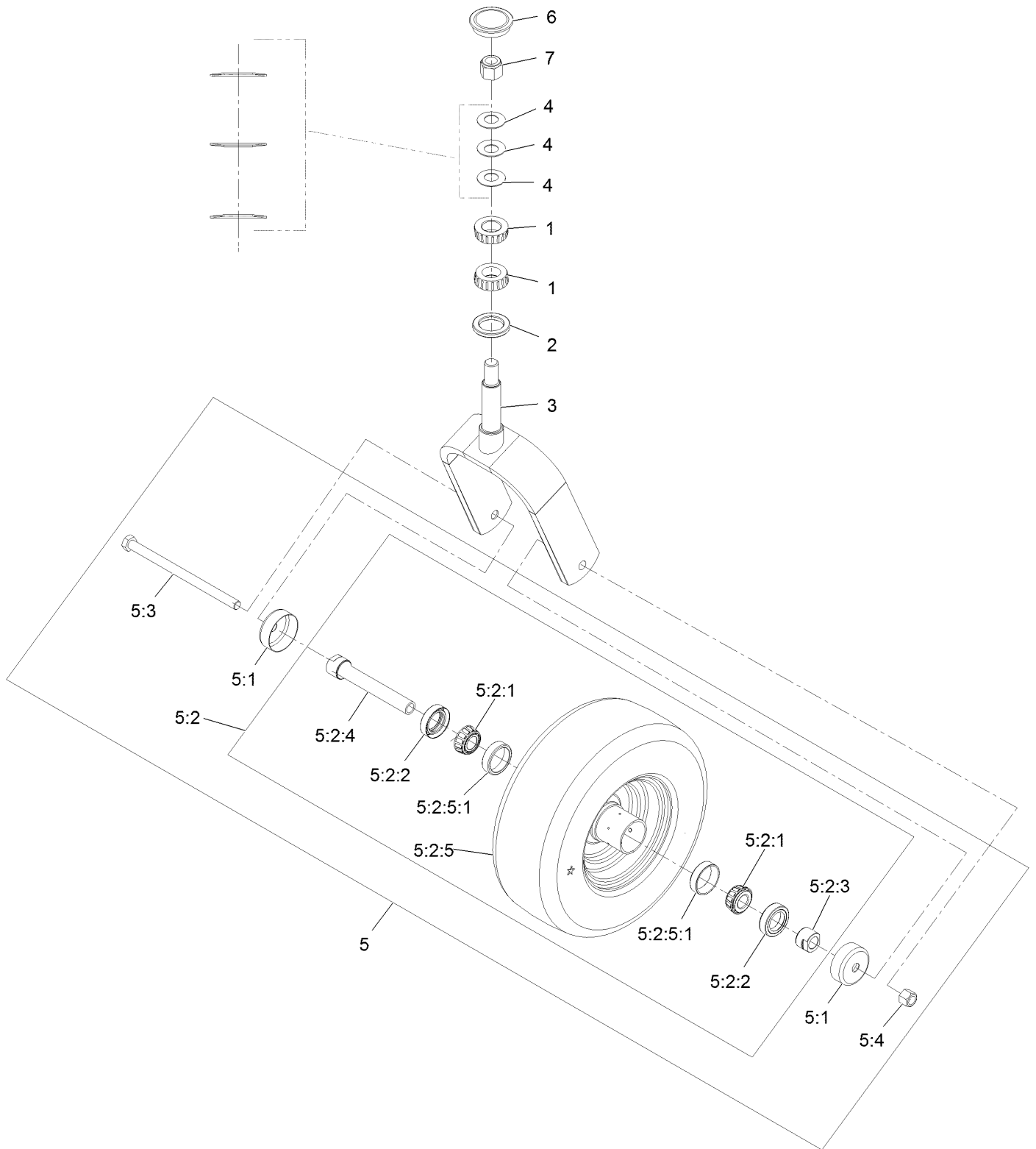


Front Caster and Fork Assembly (continued)

| <i>Ref.</i> | <i>Part Number</i> | <i>Qty.</i> | <i>Description</i> |
|-------------|--------------------|-------------|--------------------------------|
| 1 | | 2 | Front Caster And Fork ASM ● |

● Not serviced separately

Caster Wheel and Fork Assembly



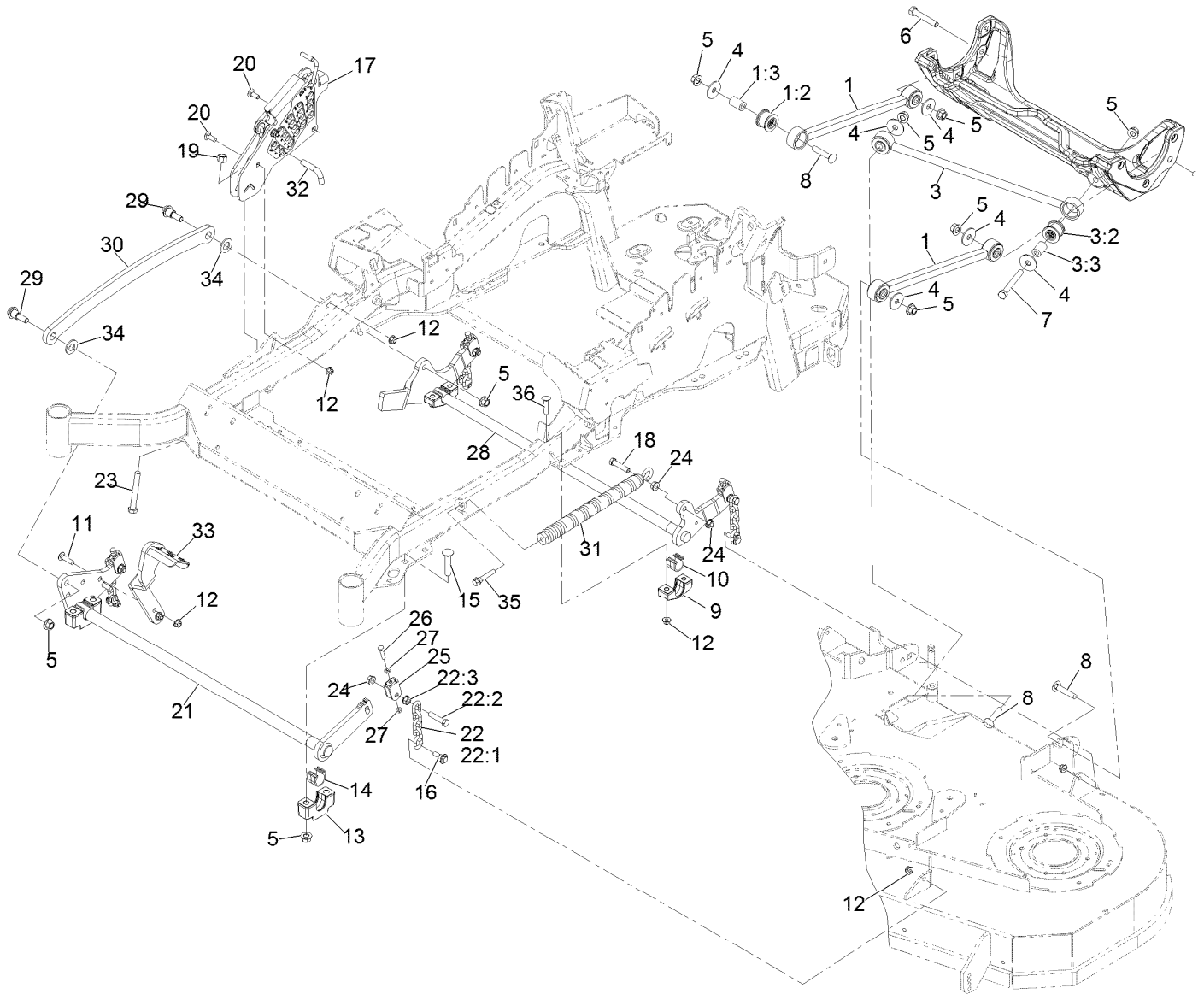
Caster Wheel and Fork Assembly (continued)

| <i>Ref.</i> | <i>Part Number</i> | <i>Qty.</i> | <i>Description</i> | <i>Ref.</i> | <i>Part Number</i> | <i>Qty.</i> | <i>Description</i> |
|-------------|--------------------|-------------|-----------------------------|-------------|--------------------|-------------|----------------------|
| 1 | 1-543509 | 2 | Cone-Bearing Tapered Roller | 5:2:2 | 103-0063 | 2 | Seal-Double Lip |
| 2 | 116-5647 | 1 | Seal-Grease | 5:2:3 | 103-3051 | 1 | Spacer-Nut ■ |
| 3 | 116-6703-01 | 1 | Weld, Fork | 5:2:4 | 126-5360 | 1 | Axle ASM-Caster |
| 4 | 1-633508 | 3 | Washer-Spring Disc | 5:2:5 | | 1 | Wheel And Tire ASM ● |
| 5 | 109-9126 | 1 | Wheel & Tire ASM | 5:2:5:1 | 1-633584 | 2 | Bearing-Cup |
| 5:1 | 103-2768 | 2 | Guard-Seal | 5:3 | 325-42 | 1 | Screw-HH 1/2-13 X 8 |
| 5:2 | | 1 | Wheel And Tire ASM ● | 5:4 | 3296-23 | 1 | Nut-Nyloc 1/2-13 |
| 5:2:1 | 1-633585 | 2 | Bearing-Cone Tapered Roller | 6 | 103-4882 | 1 | Cap-Grease |
| | | | | 7 | 3296-51 | 1 | Nut-Nyloc 3/4-10 |

● Not serviced separately

■ Use Pro-Lock, Nut Type (P/N 1-840022, .5ml tube) on threads.

Deck Lift Assembly



Deck Lift Assembly (continued)

| <i>Ref.</i> | <i>Part Number</i> | <i>Qty.</i> | <i>Description</i> | <i>Ref.</i> | <i>Part Number</i> | <i>Qty.</i> | <i>Description</i> |
|-------------|--------------------|-------------|--|-------------|--------------------|-------------|-------------------------------------|
| 1 | 116-2031 | 2 | Long Strut ASM | 17 | 109-7438 | 1 | HOC ASM |
| 1:2 | 109-5009 | 2 | Bushing-Suspension, Rubber | 18 | 109-9065 | 1 | Screw-HH 7/16-14 X 2 |
| 1:3 | 109-5010 | 2 | Spacer | 19 | 3296-23 | 1 | Nut-Nyloc 1/2-13 |
| 3 | 109-5013 | 1 | Panhard Rod ASM | 20 | 3231-2 | 2 | Bolt-Carriage 3/8-16 X 1 |
| 3:2 | 109-5009 | 2 | Bushing-Suspension, Rubber | 21 | 126-2475-03 | 1 | Decklift-Front |
| 3:3 | 109-5010 | 2 | Spacer | 22 | 116-0756 | 4 | Deck Lift Chain ASM |
| 4 | 86-1990 | 6 | Washer | 22:1 | 1-633447 | 1 | Chain-Lift, Deck |
| 5 | 99-5107 | 12 | Nut-Lock 1/2-13 | 22:2 | 109-9065 | 1 | Screw-HH 7/16-14 X 2 |
| 6 | 325-12 | 2 | Screw-HH 1/2-13 X 3 | 22:3 | 32128-37 | 1 | Nut-Whizlock 7/16-14 |
| 7 | 325-17 | 1 | Screw-HH 1/2-13 X 4 | 23 | 116-0559 | 1 | Bolt-HH 1/2-13 X 4 Tap |
| 8 | 3233-34 | 3 | Bolt-Carriage 1/2-13 X 2 1/2 | 24 | 32128-37 | 6 | Nut-Whizlock 7/16-14 |
| 9 | 127-0553 | 2 | Support-Cross Shaft, Bearing Rear | 25 | 109-9066 | 4 | Yoke-Adjust, Deck |
| 10 | 109-7173 | 2 | Bearing-Cross Shaft, Rear | 26 | 322-47 | 4 | Screw-HH 5/16-18 X 1 1/4 |
| 11 | 3231-4 | 2 | Bolt-Carriage 3/8-16 X 1 1/2 | 27 | 3218-2 | 8 | Nut-Jam 5/16-18 |
| 12 | 104-8301 | 12 | Nut-Nyloc 3/8-16 Flg | 28 | 116-0459-03 | 1 | Lift-Deck, Rear |
| 13 | 109-9409 | 2 | Support-Cross Shaft, Bearing | 29 | 116-0780 | 2 | Screw-Shoulder HHF 1/2-13 X 1.12 |
| 14 | 109-9410 | 2 | Bearing-Cross Shaft, Front | 30 | 116-0797-03 | 1 | Link-Lift, Deck |
| 15 | 116-1700 | 4 | Bolt-Carriage 1/2-13 X 2 1/2 Spl Neck | 31 | 116-0000 | 1 | Spring-Extension |
| 16 | 109-9840 | 4 | Screw-Hex Flange 3/8-16 X .80 | 32 | 116-5584 | 1 | Pin-HOC |
| | | | | 33 | 116-1919-01 | 1 | Lever-Foot |
| | | | | 34 | 3256-28 | 2 | Washer-3/4 Sae |
| | | | | 35 | 92-7674 | 1 | Screw-Shcs 3/8-16 X 2.212 |
| | | | | 36 | 3231-7 | 4 | Bolt-Carriage 3/8-16 X 2 1/4 |

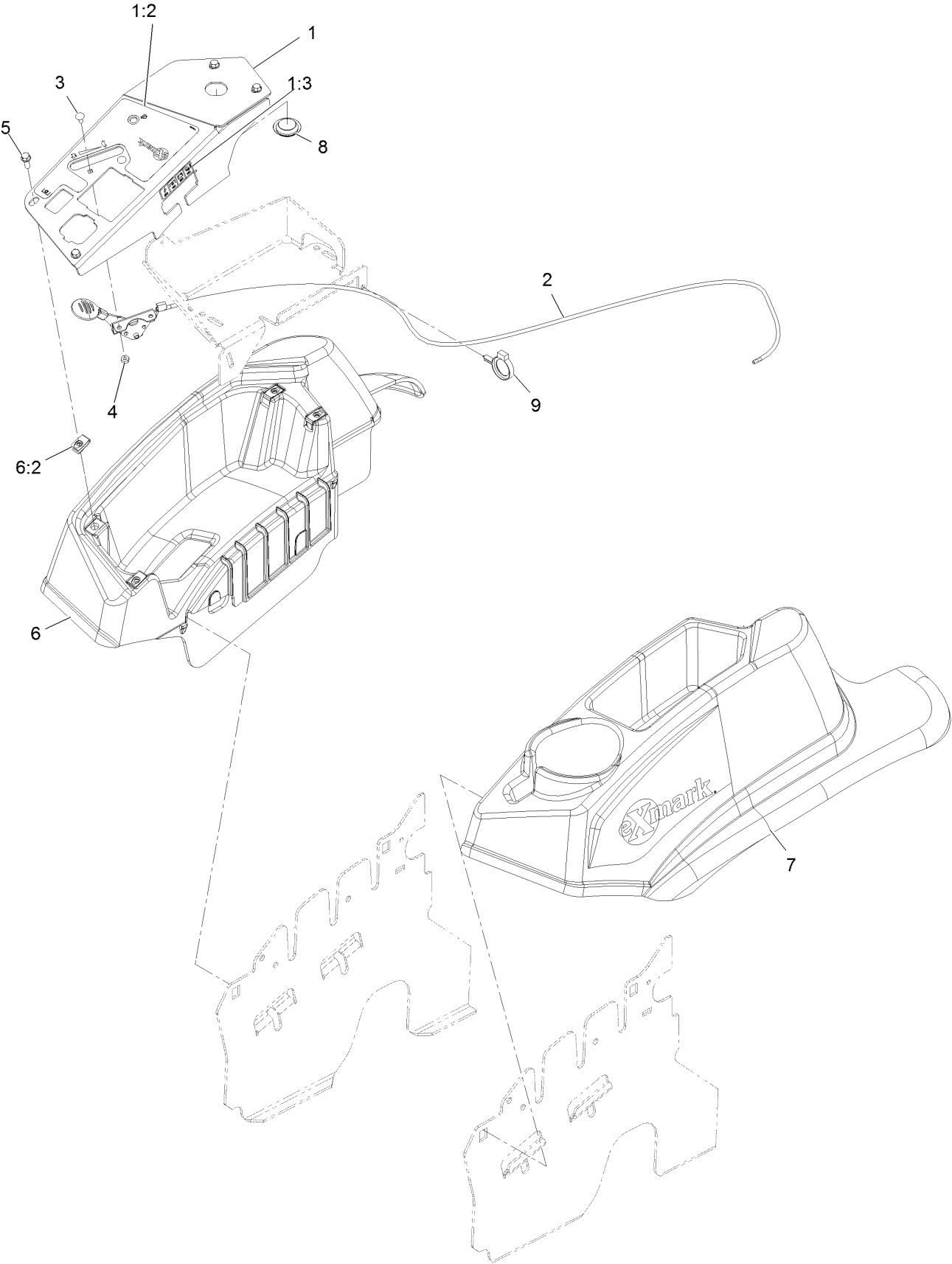
Height-of-Cut Assembly No. 109-7438



Height-of-Cut Assembly No. 109-7438 (continued)

| <i>Ref.</i> | <i>Part Number</i> | <i>Qty.</i> | <i>Description</i> | <i>Ref.</i> | <i>Part Number</i> | <i>Qty.</i> | <i>Description</i> |
|-------------|--------------------|-------------|---------------------|-------------|--------------------|-------------|---------------------|
| 1 | 62-1330 | 1 | Bolt-Shoulder | 6 | 116-0118 | 1 | Pawl-Transport, HOC |
| 2 | 109-7130 | 1 | Grommet | 7 | 109-7335 | 1 | HOC Plate ASM |
| 3 | 104-8301 | 1 | Nut-Flange, NI | 7:2 | 126-4398 | 1 | Decal-HOC |
| 4 | 109-7124 | 1 | Spring-Extension | 8 | 109-8250 | 1 | Grip-Lever |
| 5 | 109-7128 | 1 | Rod-Lock, Transport | | | | |

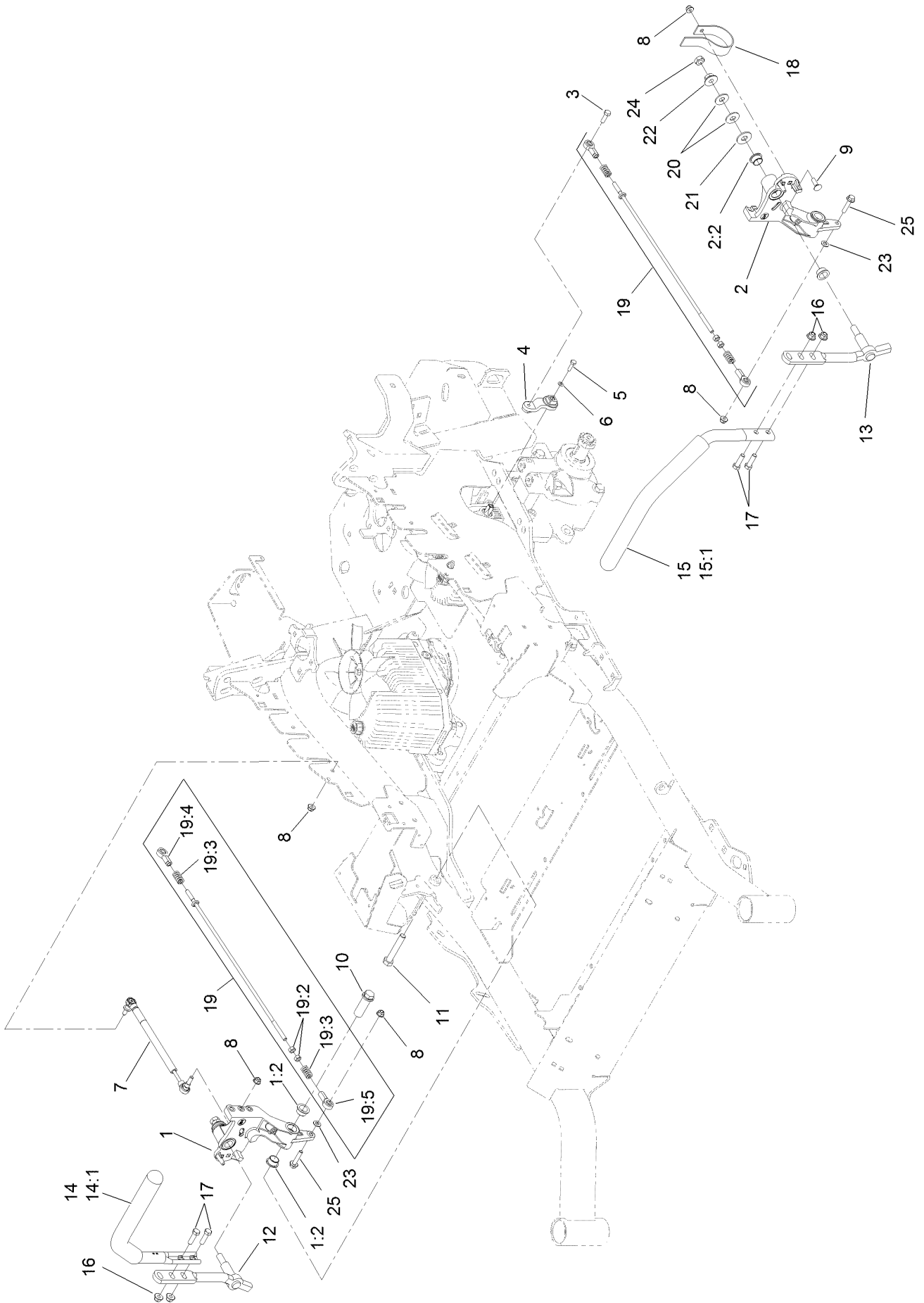
Control Assembly



Control Assembly (continued)

| <i>Ref.</i> | <i>Part Number</i> | <i>Qty.</i> | <i>Description</i> | <i>Ref.</i> | <i>Part Number</i> | <i>Qty.</i> | <i>Description</i> |
|-------------|--------------------|-------------|----------------------------|-------------|--------------------|-------------|----------------------------|
| 1 | 116-2845 | 1 | ASM,Control Panel W/Decal | 5 | 32105-15 | 4 | Screw-Machine 1/4-20 X 3/4 |
| 1:2 | 116-8725 | 1 | Decal-Control Panel Efi | 6 | 116-1278 | 1 | Console,RH As ASM |
| 1:3 | 114-4466 | 1 | Decal-Fuses | 6:2 | 107069 | 4 | Nut-Retainer-Panel 1/4-20 |
| 2 | 116-0969 | 1 | ASM,Throttle Cable | 7 | 109-9457 | 1 | Console, LH As |
| 3 | 1-807513 | 2 | Bolt-Carriage #10-24 X 1/2 | 8 | 116-1875 | 1 | Plug,Plastic |
| 4 | 3296-2 | 2 | Nut-Nyloc #10-24 | 9 | 104-2490 | 1 | Clamp-Hose |

Motion Control Assembly

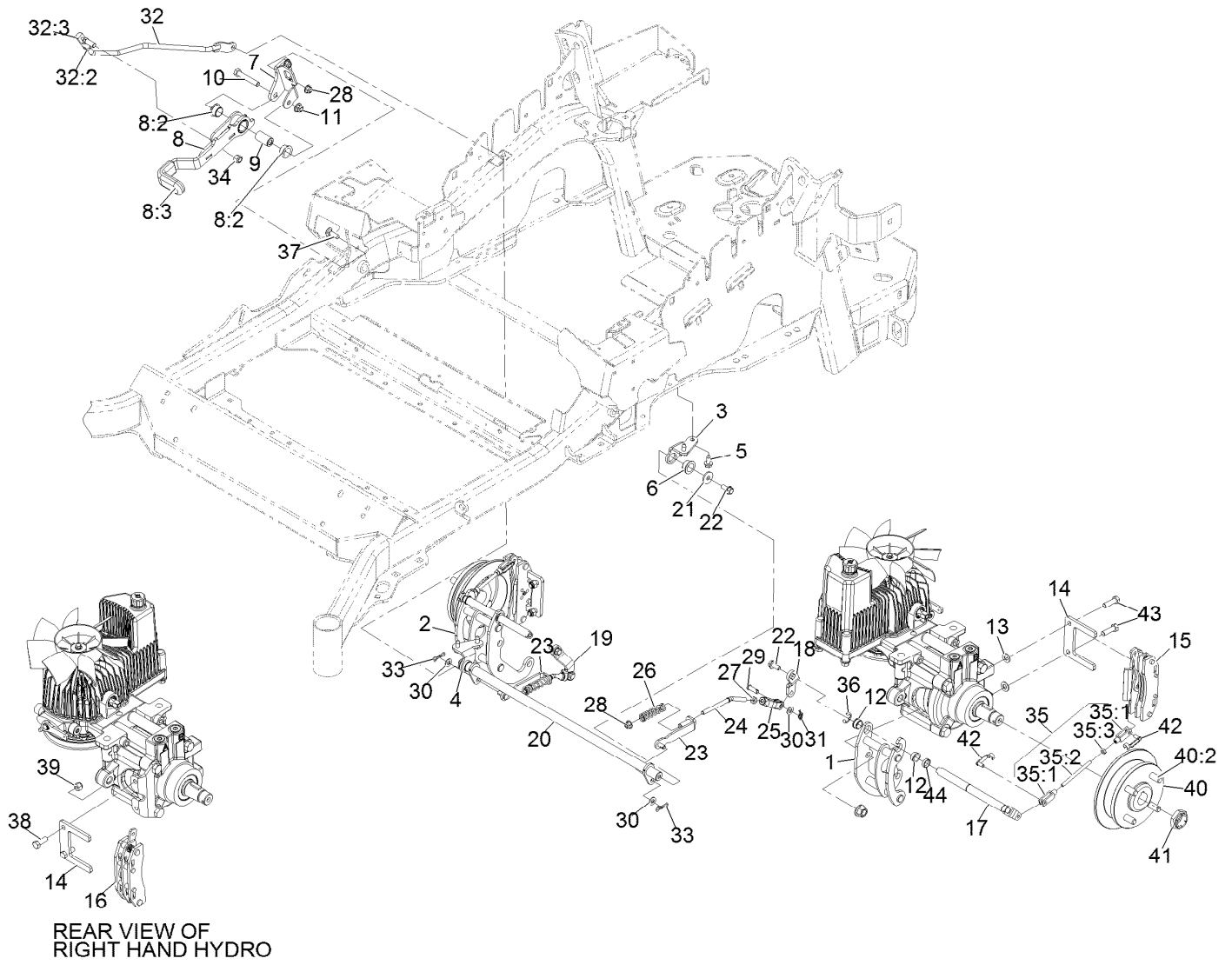


Motion Control Assembly (continued)

| <i>Ref.</i> | <i>Part Number</i> | <i>Qty.</i> | <i>Description</i> | <i>Ref.</i> | <i>Part Number</i> | <i>Qty.</i> | <i>Description</i> |
|-------------|--------------------|-------------|-----------------------------------|-------------|--------------------|-------------|------------------------|
| 1 | 116-0880 | 1 | RH Motion Control And Bushing ASM | 14 | 109-6589 | 1 | RH Steering Handle ASM |
| 1:2 | 109-8054 | 4 | Bushing-Flange | 14:1 | 109-5668 | 1 | Grip-Control, Lever |
| 2 | 116-0881 | 1 | LH Motion Control And Bushing ASM | 15 | 109-6590 | 1 | LH Steering Handle ASM |
| 2:2 | 109-8054 | 4 | Bushing-Flange | 15:1 | 109-5668 | 1 | Grip-Control, Lever |
| 3 | 116-0648 | 2 | Screw-HH, Thread Locking ● | 16 | 104-8301 | 4 | Nut-Flange, NI |
| 4 | 109-4581 | 2 | Arm-Control, Pump | 17 | 323-7 | 4 | Screw-HH |
| 5 | 9080046 | 2 | Screw-HH ● | 18 | 109-5575 | 2 | Spring-Leaf |
| 6 | 1-303435 | 2 | Washer-Spring | 19 | 109-8107 | 2 | Pump Linkage Rear ASM |
| 7 | 116-0027 | 2 | Damper-Control, Motion | 19:2 | 3219-2 | 2 | Nut-Hex |
| 8 | 104-8300 | 8 | Nut-Flange, NI | 19:3 | 1-323245 | 2 | Spring-Compression |
| 9 | 3230-2 | 2 | Bolt-CARR | 19:4 | 1-633152 | 1 | Balljoint-LH |
| 10 | 109-5891 | 2 | Hub-Threaded | 19:5 | 1-543017 | 1 | Balljoint-RH |
| 11 | 325-12 | 2 | Screw-HH | 20 | 109-9505 | 4 | Washer-Spring |
| 12 | 116-0039 | 1 | Lever-Control Motion, RH | 21 | 3256-6 | 2 | Washer-Flat |
| 13 | 116-0040 | 1 | Lever-Control Motion, LH | 22 | 32128-56 | 2 | Nut-HF |
| | | | | 23 | 3256-23 | 2 | Washer-Flat |
| | | | | 24 | 3218-5 | 2 | Nut-Jam |
| | | | | 25 | 115-1794 | 2 | Screw-HHF |

● Use Pro-Lock, Nut Type (P/N 1-840022, .5ml tube) on threads.

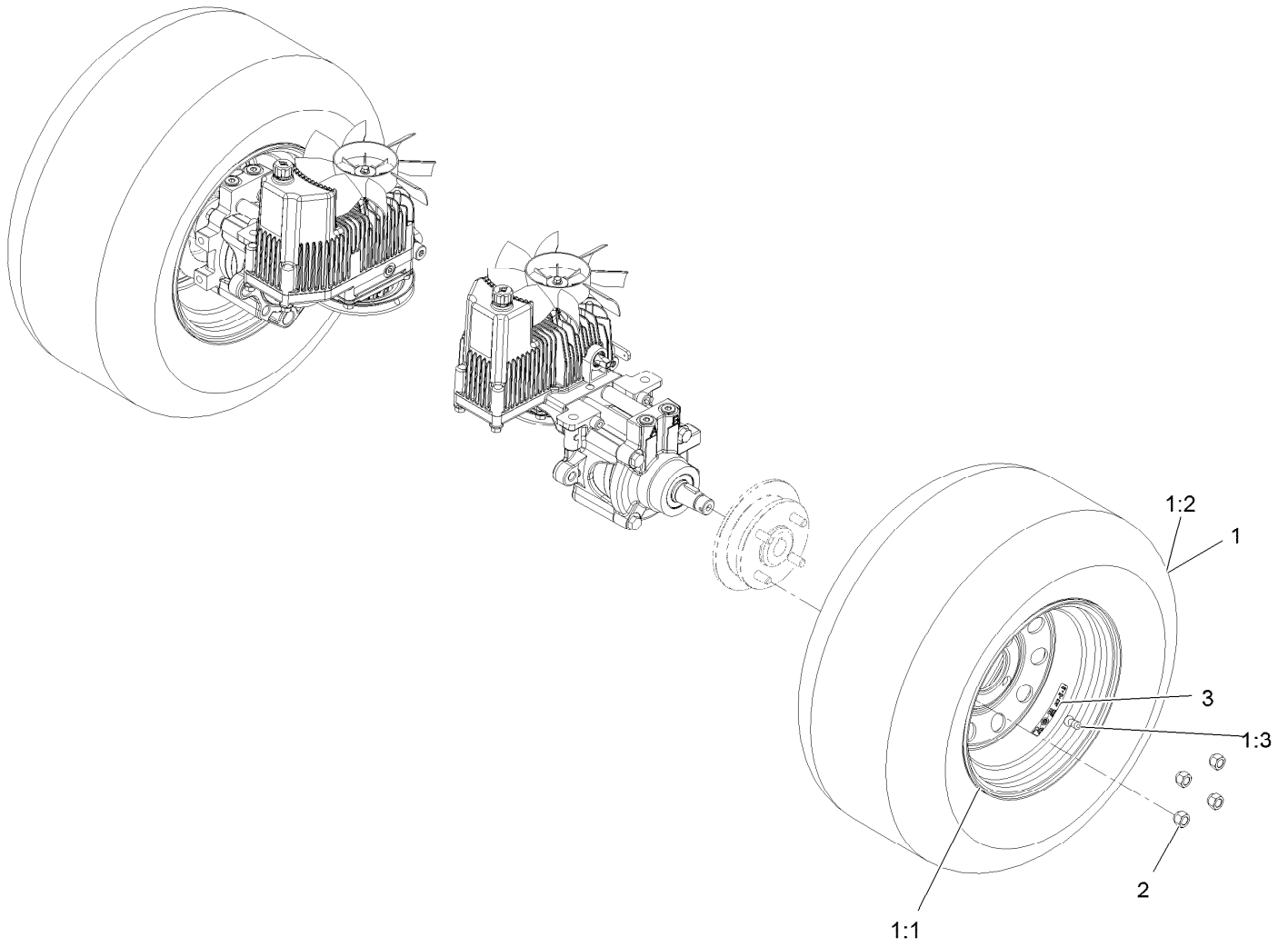
Park Brake Assembly



Park Brake Assembly (continued)

| <i>Ref.</i> | <i>Part Number</i> | <i>Qty.</i> | <i>Description</i> | <i>Ref.</i> | <i>Part Number</i> | <i>Qty.</i> | <i>Description</i> |
|-------------|--------------------|-------------|-------------------------------|-------------|--------------------|-------------|---------------------------------------|
| 1 | 126-4248 | 1 | Mount-Bellcrank, LH | 26 | 116-9085 | 2 | Spring-Compression |
| 2 | 126-4249 | 1 | Mount-Bellcrank, RH | 27 | 3220-2 | 2 | Nut-Jam 5/16-24 |
| 3 | 116-9681 | 1 | Mount-Pivot, LH | 28 | 104-8300 | 4 | Nut-Nyloc 5/16-18 Flg |
| 4 | 116-9682 | 1 | Mount-Pivot, RH | 29 | 1-808280 | 2 | Pin-Clevis 5/16 X 1 49/64 |
| 5 | 32144-70 | 4 | Screw-HWH 5/16-18 X 3/4 Tf | 30 | 3256-23 | 4 | Washer-5/16 Sae |
| 6 | 109-8054 | 2 | Bushing-Flanged | 31 | 116-6639 | 2 | Pin-Cotter, Locking |
| 7 | 116-9096-01 | 1 | Bracket-Mount | 32 | 116-9102 | 1 | Front Linkage ASM |
| 8 | 126-0970 | 1 | Brake Lever ASM | 32:2 | 94-7572 | 1 | End-Tie Rod, RH |
| 8:2 | 109-8054 | 2 | Bushing-Flanged | 32:3 | 3220-3 | 1 | Nut-Jam 3/8-24 |
| 8:3 | 1-633268 | 1 | Grip-Lever | 33 | 119-1415 | 2 | Pin-Cotter, Locking |
| 9 | 116-9117 | 1 | Handle-Pivot, Brake | 34 | 3296-6 | 1 | Nut-Nyloc 3/8-24 |
| 10 | 323-11 | 1 | Screw-HH 3/8-16 X 2 1/4 | 35 | 126-7587 | 2 | Rear Linkage ASM |
| 11 | 104-8301 | 1 | Nut-Nyloc 3/8-16 Flg | 35:1 | 126-7588 | 2 | Yoke |
| 12 | 126-6199 | 4 | Bushing-Igus | 35:2 | 116-9069 | 1 | Linkage, Rear |
| 13 | 3256-24 | 2 | Washer-3/8 Sae | 35:3 | 3220-1 | 1 | Nut-Jam 1/4-28 |
| 14 | 109-0958 | 2 | Plate-Mount, Brake | 36 | 32120-19 | 2 | E-Ring |
| 15 | 109-2889 | 1 | Caliper-Brake | 37 | 3230-2 | 2 | Bolt-Carriage 5/16-18 X 1 |
| 16 | 116-9103 | 1 | Caliper-Brake, RH | 38 | 323-6 | 2 | Screw-HH 3/8-16 X 1 |
| 17 | 126-4251 | 2 | Bellcrank | 39 | 3296-39 | 2 | Nut-Nyloc 3/8-16 |
| 18 | 126-3715 | 1 | Arm-Inner, LH | 40 | 116-1746 | 2 | Wheel Hub ASM |
| 19 | 126-3716 | 1 | Arm-Inner, RH | 40:2 | 116-1696 | 4 | Stud-Wheel |
| 20 | 116-9080 | 1 | Shaft-Cross | 41 | 116-1399 | 2 | Locknut |
| 21 | 115-7109 | 2 | Washer-Flat | 42 | 126-6395 | 4 | Pin-Clevis, Spring |
| 22 | 98-9940 | 4 | Screw | 43 | 92-5727 | 2 | Screw-HH 3/8-16 X 1 1/4 Patch Lock |
| 23 | 116-9608 | 2 | Bracket-L | 44 | 126-6200 | 2 | Spacer |
| 24 | 116-9086 | 2 | Linkage-Mid | | | | |
| 25 | 126-3693 | 2 | Yoke-Offset | | | | |

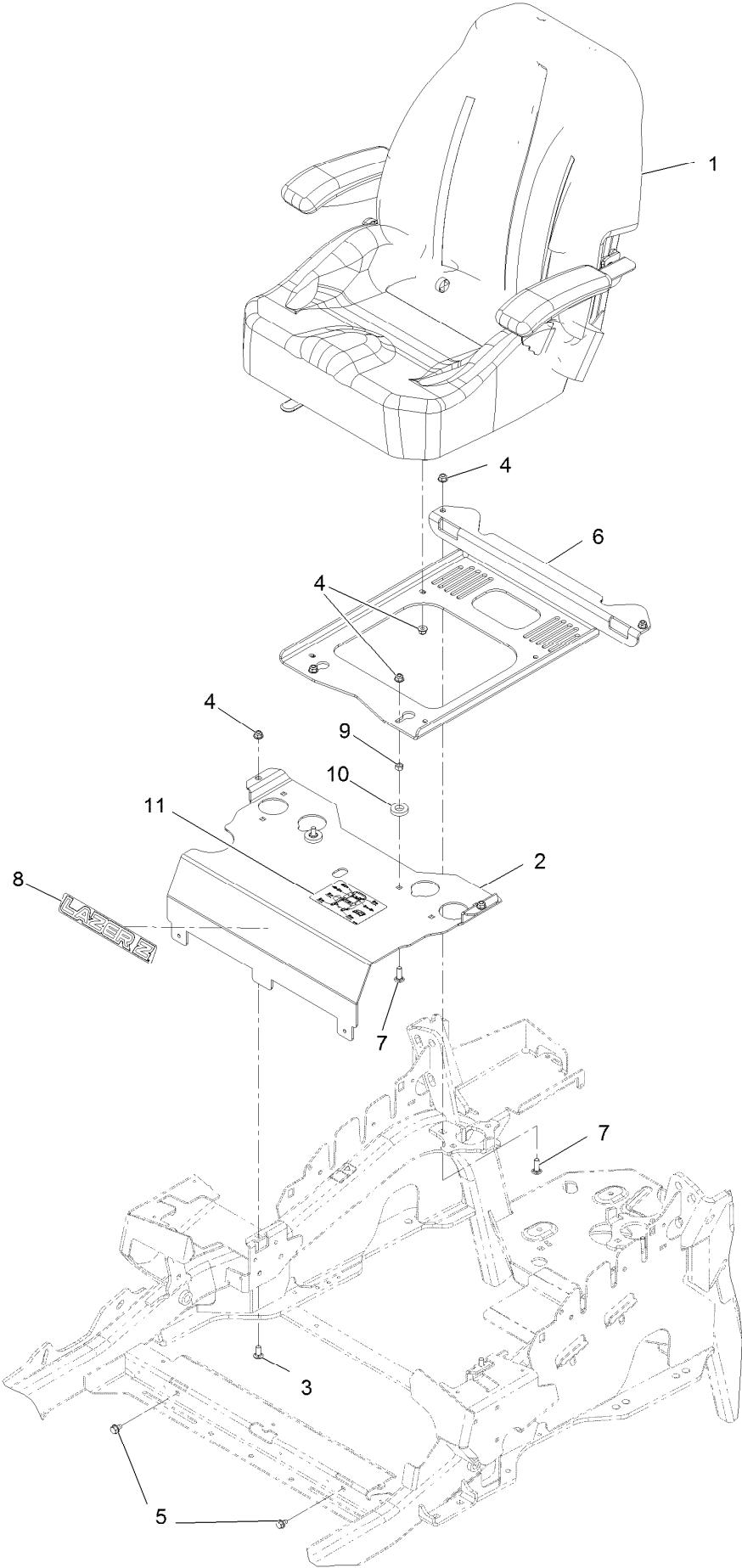
Rear Wheel Assembly



Rear Wheel Assembly (continued)

| <i>Ref.</i> | <i>Part Number</i> | <i>Qty.</i> | <i>Description</i> | <i>Ref.</i> | <i>Part Number</i> | <i>Qty.</i> | <i>Description</i> |
|-------------|--------------------|-------------|--------------------|-------------|--------------------|-------------|--------------------------------|
| 1 | 116-8294 | 2 | ASM-Wheel And Tire | 2 | 242-50 | 8 | Nut-Lug 1/2-20 |
| 1:1 | 116-8295 | 1 | ASM-Rim 60 | 3 | 126-2055 | 2 | Decal-Torque, Wheel Hub Lug |
| 1:2 | 116-8296 | 1 | Tire-Drive | | | | |
| 1:3 | 232-27 | 1 | Stem-Valve | | | | |

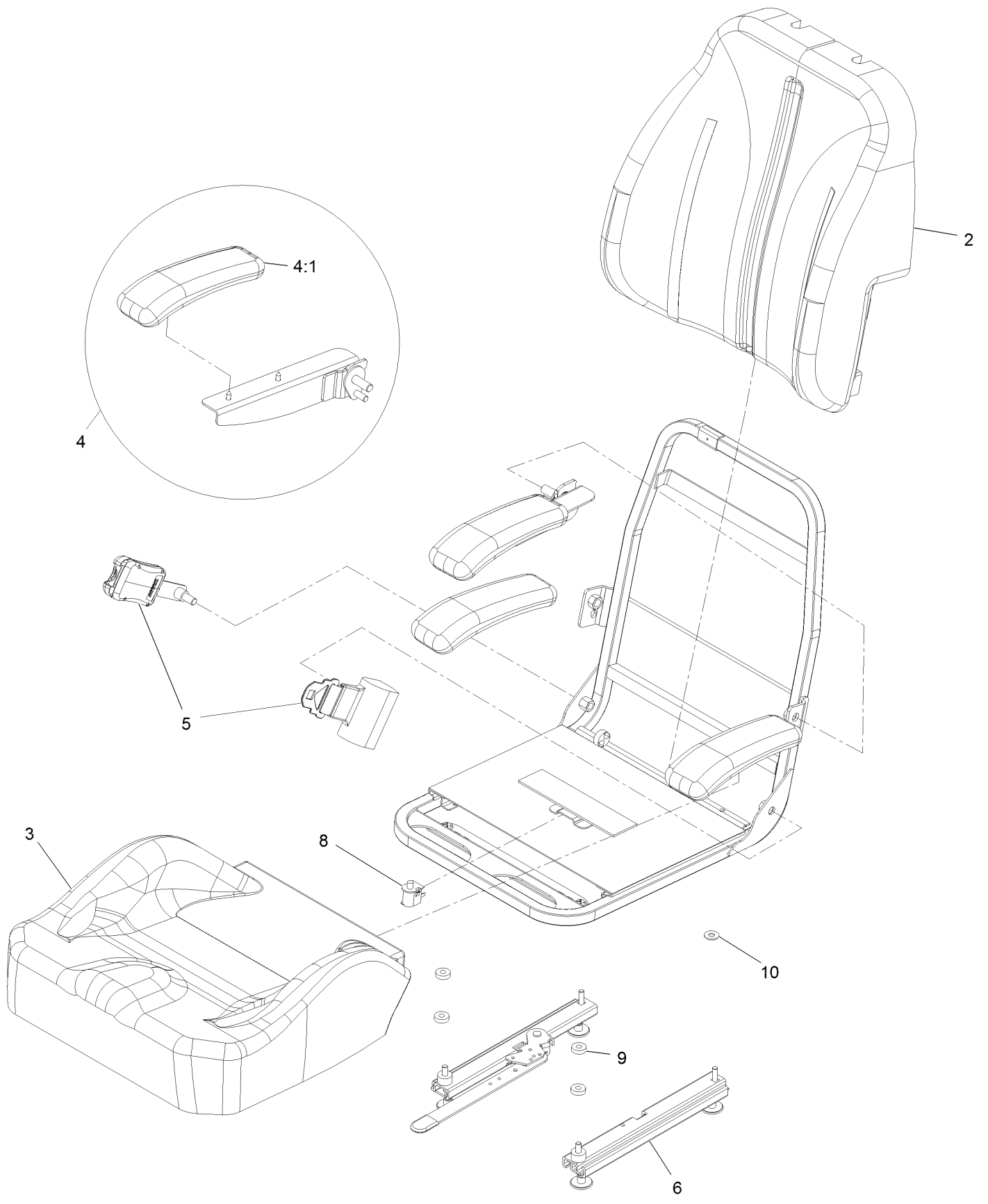
Seat Assembly



Seat Assembly (continued)

| <i>Ref.</i> | <i>Part Number</i> | <i>Qty.</i> | <i>Description</i> | <i>Ref.</i> | <i>Part Number</i> | <i>Qty.</i> | <i>Description</i> |
|-------------|--------------------|-------------|---|-------------|--------------------|-------------|---------------------------------|
| 1 | 126-1366 | 1 | ASM-Seat Lze | 7 | 3230-22 | 4 | Bolt-Carriage 5/16-18 X 1 Sp |
| 2 | 116-2130-03 | 1 | Panel-Front, Seat Mount | 8 | 126-6574 | 1 | Decal, Lazer Model |
| 3 | 3230-23 | 2 | Bolt-Carriage 5/16-18 X 3/4 Short Neck | 9 | 3217-6 | 2 | Nut-Hex 5/16-18 |
| 4 | 104-8300 | 10 | Nut-Nyloc 5/16-18 Flg | 10 | 1-323539 | 2 | Spacer-Blade Drive |
| 5 | 9266934 | 2 | Screw-HWH 5/16 X 1/2 Tf | 11 | 114-4465 | 1 | Decal-Service Aid |
| 6 | 116-0192-03 | 1 | Plate-Support, Seat | | | | |

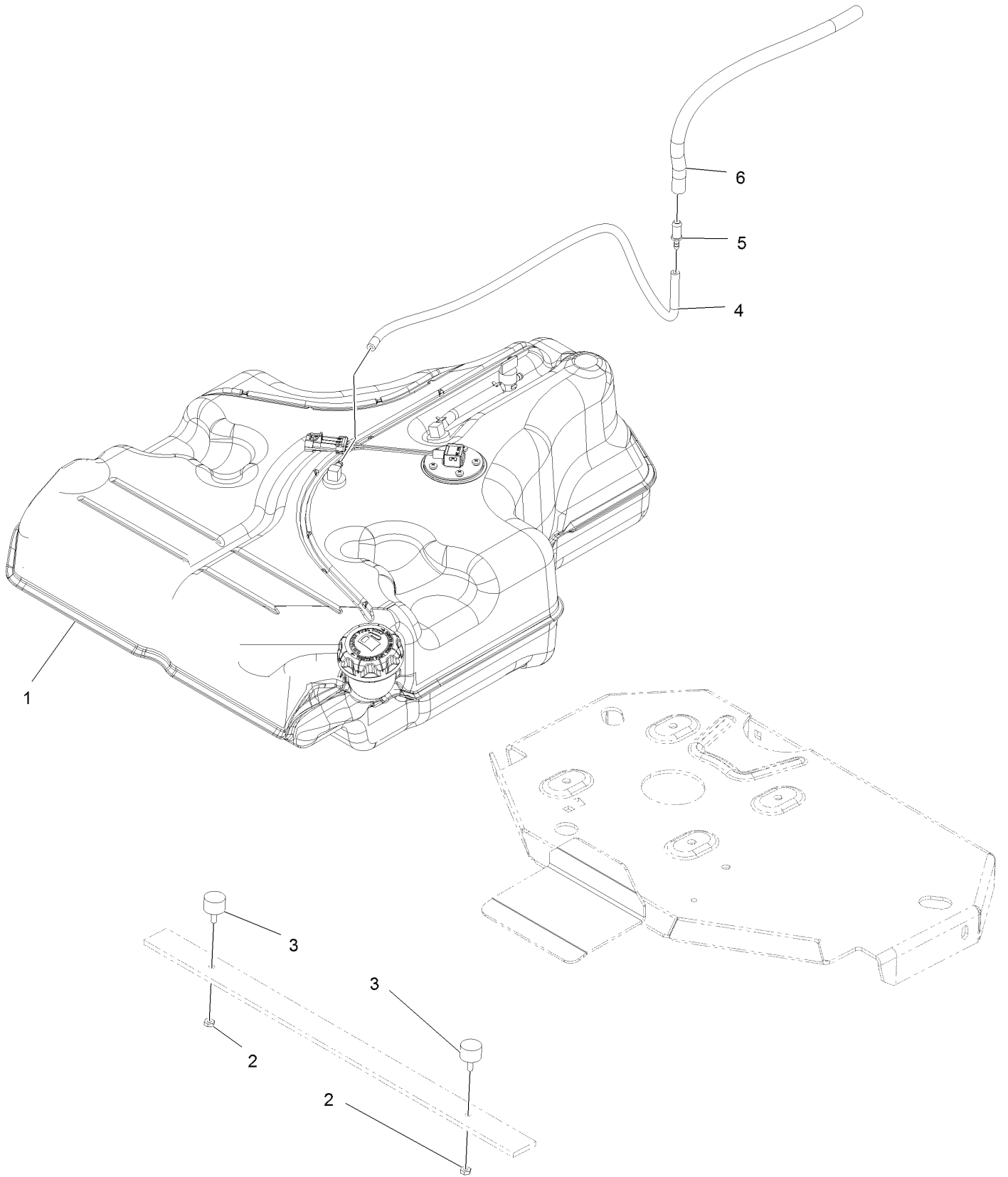
Seat W/Tracks Assembly No. 126-1366



Seat W/Tracks Assembly No. 126-1366 (continued)

| <i>Ref.</i> | <i>Part Number</i> | <i>Qty.</i> | <i>Description</i> | <i>Ref.</i> | <i>Part Number</i> | <i>Qty.</i> | <i>Description</i> |
|-------------|--------------------|-------------|-----------------------|-------------|--------------------|-------------|----------------------|
| 2 | 126-2060 | 1 | Cover-Seat Back | 6 | 126-2177 | 1 | ASM-Seat Track, Svc |
| 3 | 126-2059 | 1 | Cover-Seat Cushion | 8 | 82-2190 | 1 | Switch |
| 4 | 126-2058 | 1 | Armrest Kit | 9 | 26-4840 | 4 | Spacer-Pin, Mounting |
| 4:1 | 110-4163 | 2 | Cushion-Rest, Arm | 10 | 3256-3 | 2 | Washer-5/16 Std |
| 5 | 126-5011 | 1 | Kit-Seat Belt Service | | | | |

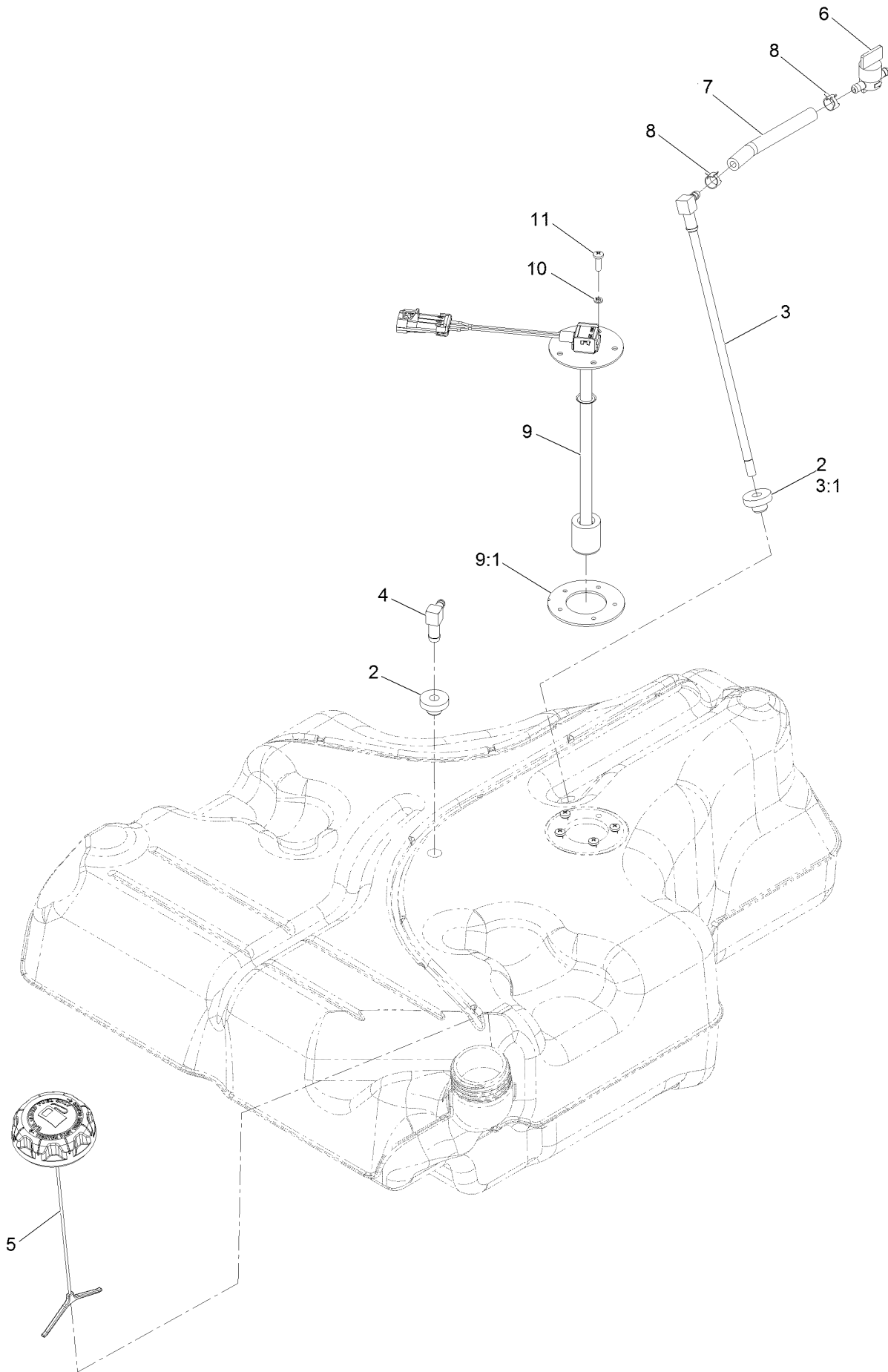
Fuel Tank Assembly



Fuel Tank Assembly (continued)

| <i>Ref.</i> | <i>Part Number</i> | <i>Qty.</i> | <i>Description</i> | <i>Ref.</i> | <i>Part Number</i> | <i>Qty.</i> | <i>Description</i> |
|-------------|--------------------|-------------|-------------------------------|-------------|--------------------|-------------|--------------------|
| 1 | 126-6493 | 1 | ASM-8 Gal Fuel Tank, Low Perm | 4 | 117-9569 | 1 | Hose-Fuel |
| 2 | 3218-1 | 2 | Nut-Jam 1/4-20 | 5 | 98-2952 | 1 | Fitting-Straight |
| 3 | 116-6380 | 2 | Bumper-Rubber (W/ Stud) | 6 | 116-4344 | 1 | Hose-Fuel |

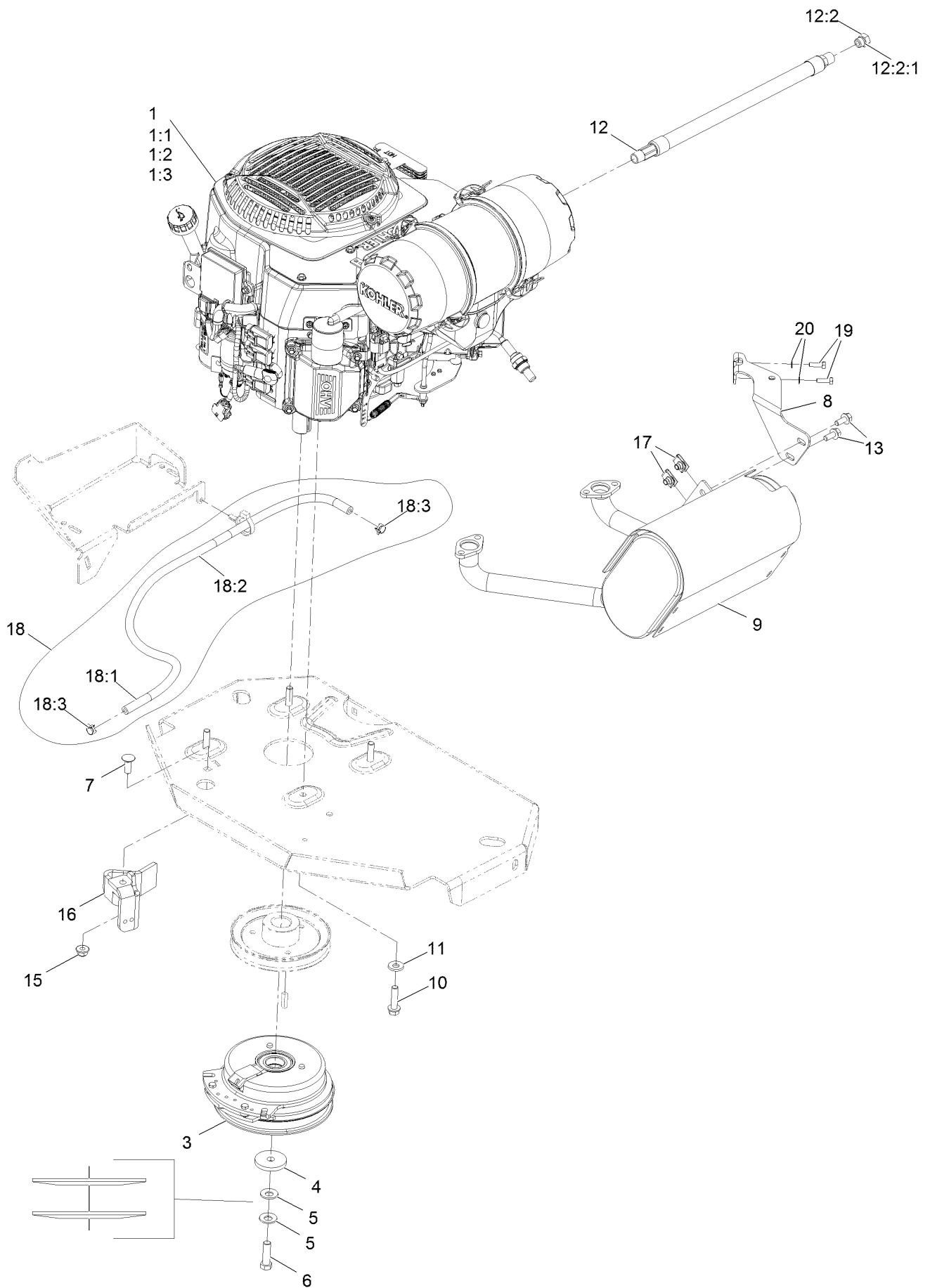
Fuel Tank Assembly No. 126-6493



Fuel Tank Assembly No. 126-6493 (continued)

| <i>Ref.</i> | <i>Part Number</i> | <i>Qty.</i> | <i>Description</i> | <i>Ref.</i> | <i>Part Number</i> | <i>Qty.</i> | <i>Description</i> |
|-------------|--------------------|-------------|---------------------------------|-------------|--------------------|-------------|--|
| 2 | 46-6560 | 2 | Bushing | 7 | 109-0650 | 1 | Hose-Fuel |
| 3 | 116-2459 | 1 | Fuel Line Kit (With Grommet) | 8 | 2412-98 | 2 | Clamp-Hose |
| 3:1 | 46-6560 | 1 | Bushing | 9 | 126-3949 | 1 | Sender-Fuel Level W/Gasket 8 Gallon |
| 4 | 116-2288 | 1 | Fitting-90 Elbow | 9:1 | 126-3950 | 1 | Gasket-Sender |
| 5 | 126-1789 | 1 | Cap-Fuel, Ratcheting | 10 | 3253-17 | 5 | Washer-Lock 3/16 |
| 6 | 1-603770 | 1 | Valve-Fuel | 11 | 3290-500 | 5 | Screw-PPH #10-24 X 5/8 |

Engine Assembly



Engine Assembly (continued)

| <i>Ref.</i> | <i>Part Number</i> | <i>Qty.</i> | <i>Description</i> | <i>Ref.</i> | <i>Part Number</i> | <i>Qty.</i> | <i>Description</i> |
|-------------|--------------------|-------------|--|-------------|--------------------|-------------|---------------------------------|
| 1 | | 1 | Engine-Kohler, Ps-Ecv740-3040 ▲◆ | 11 | 98-5975 | 4 | Washer-Spring Disc 3/8 |
| 1:1 | | 1 | Kohler 52 050 02-S Engine Oil Filter ▲◆ | 12 | 116-5316 | 1 | Oil Drain Hose ASM ■ |
| 1:2 | | 1 | Kohler 25 083 01-S Engine Air Filter ▲◆ | 12:2 | 353-508 | 1 | Plug-W/O-Ring ● |
| 1:3 | | 1 | Kohler 25 083 04-S Safety Filter ▲◆ | 12:2:1 | 237-42 | 1 | O-Ring |
| 3 | 116-1620 | 1 | Clutch Kit | 13 | 3234-5 | 2 | Screw-HH Flg 5/16-18 X 3/4 |
| 4 | 109-6919 | 1 | Washer-Clutch | 15 | 104-8301 | 1 | Nut-Nyloc 3/8-16 Flg |
| 5 | 1-603610 | 2 | Washer-Spring Disc 7/16 | 16 | 116-2612-01 | 1 | Clutch-Anchor |
| 6 | 109-9761 | 1 | Screw-HH 7/16-20 X 1 1/2 W/Loctite □ | 17 | 94-2413 | 2 | Nut-U |
| 7 | 3231-22 | 1 | Bolt-Carriage 3/8-16 X 1 | 18 | 117-3893 | 1 | Fuel Line ASM |
| 8 | 116-4297 | 1 | Muffler Bracket Kit | 18:1 | 109-0273 | 1 | Hose-Fuel Line 38 1/4" |
| 9 | 126-8799 | 1 | Kit, Muffler-Koh Ecv | 18:2 | 117-3892 | 1 | Sleeve-Thermal |
| 10 | 32144-102 | 4 | Screw-HWH 3/8-16 X 1 1/2 Taptite | 18:3 | 2412-98 | 2 | Clamp-Hose |
| | | | | 19 | 116-4295 | 2 | Screw-HH M6-1 X 20Mm W/Patch |
| | | | | 20 | 1-303435 | 2 | Washer-Spring Disc 1/4 |

● Torque to 24-26 ft-lb

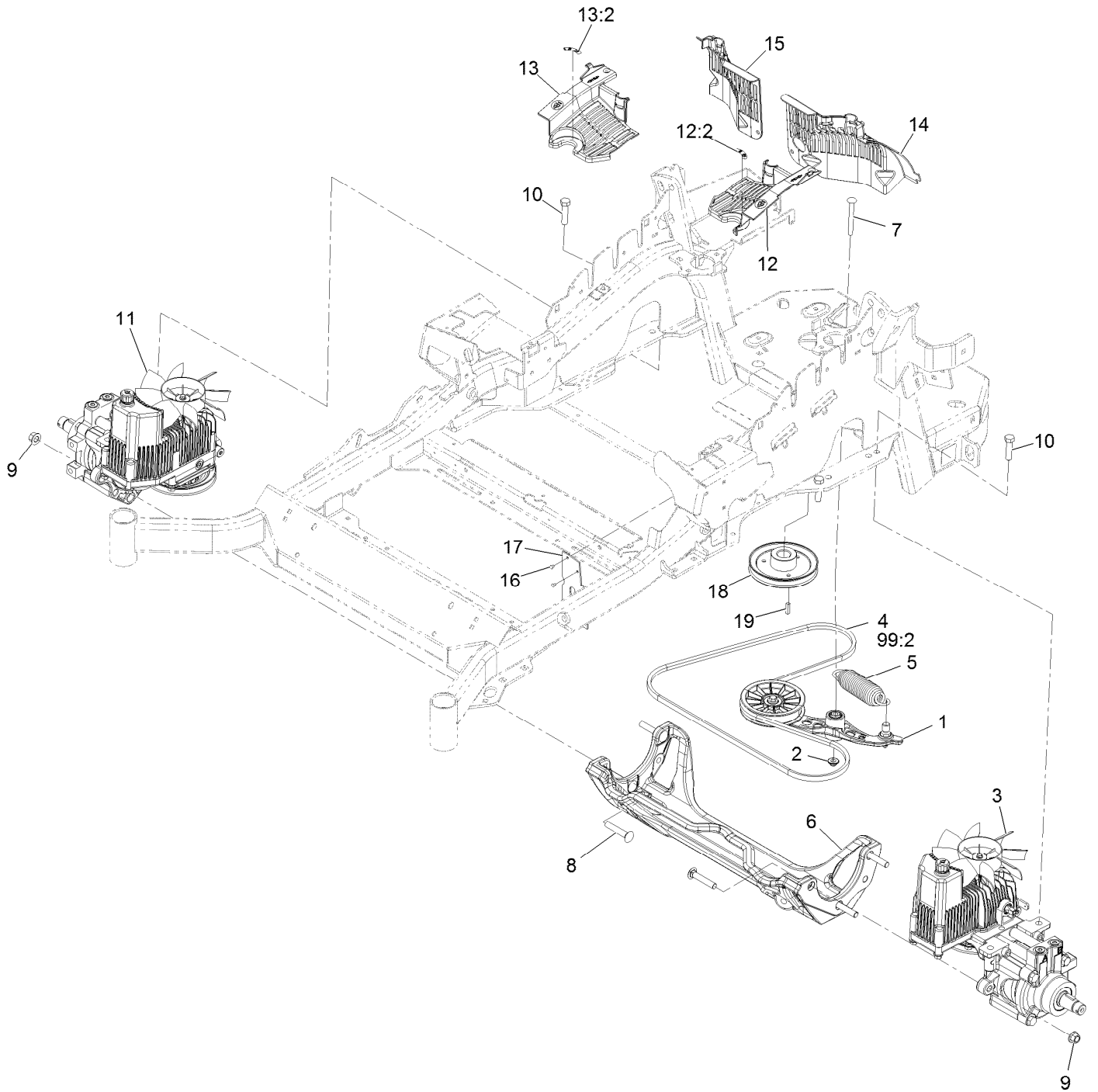
▲ Not serviced separately

□ Use Pro-Lock, Nut Type (P/N 1-840022, .5ml tube) on threads.

■ Torque to 17-23 ft-lb

◆ Obtain parts from www.kohlerplus.com

Hydraulic Assembly

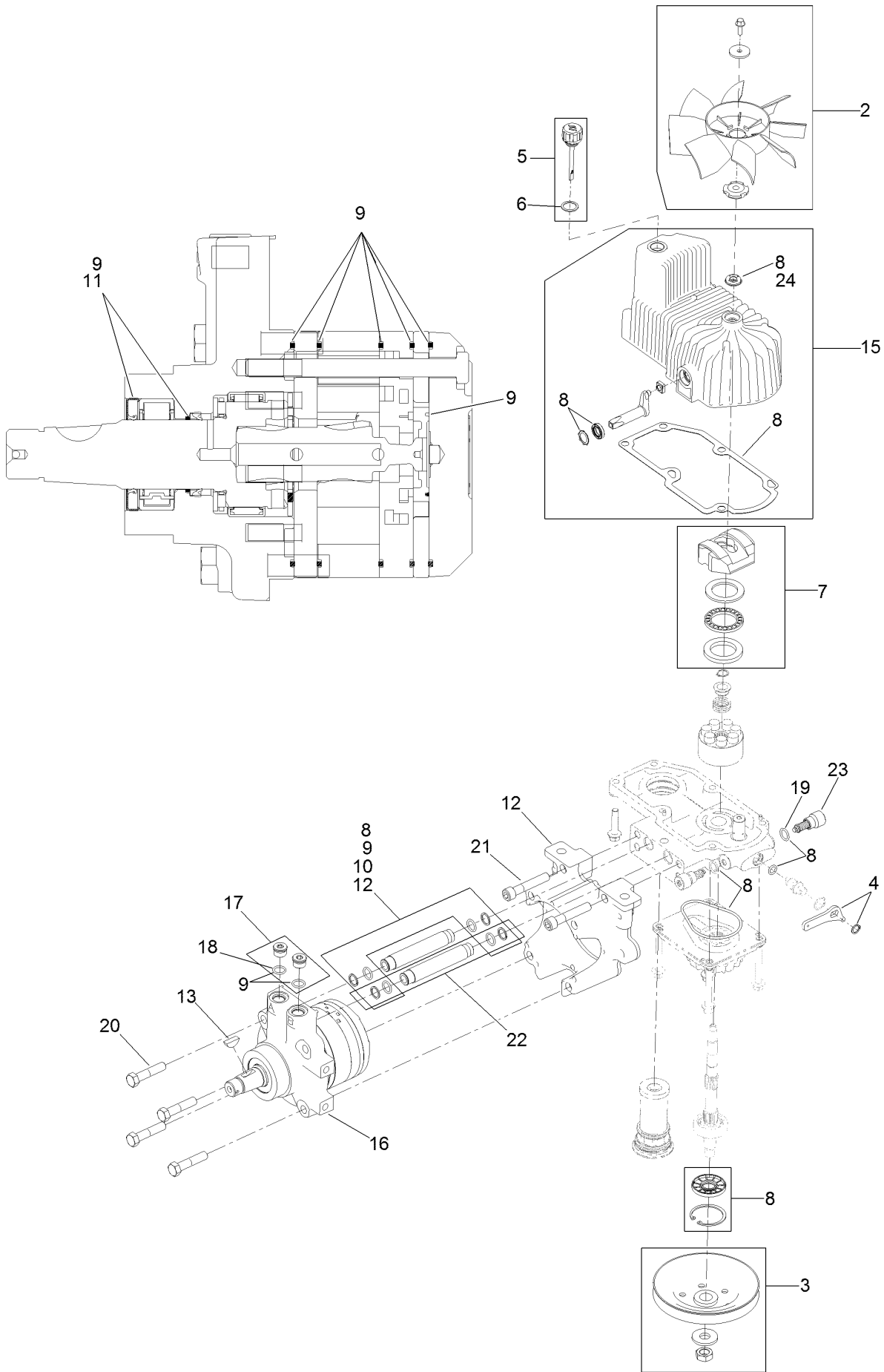


Hydraulic Assembly (continued)

| <i>Ref.</i> | <i>Part Number</i> | <i>Qty.</i> | <i>Description</i> | <i>Ref.</i> | <i>Part Number</i> | <i>Qty.</i> | <i>Description</i> |
|-------------|--------------------|-------------|--|-------------|--------------------|-------------|------------------------------------|
| 1 | 116-1255 | 1 | Pump Idler ASM | 13 | 116-0171 | 1 | RH Hydro Guard ASM |
| 2 | 109-6658 | 1 | Nut-Nyloc 3/8-16 Flg | 13:2 | 116-8726 | 1 | Decal-Oil, Hydro |
| 3 | 126-1323 | 1 | LH Hydro ASM (12Cc W/ Shock) | 14 | 109-9057 | 1 | Guard-Hydro, Rear (LH) |
| 4 | 109-3388 | 1 | Belt | 15 | 109-9058 | 1 | Guard-Hydro, Rear (RH) |
| 5 | 116-6317 | 1 | Spring-Extension | 16 | 1-803035 | 2 | Rivet 3/16 X 1/4 |
| 6 | 116-7558 | 1 | Cradle-Hydro | 17 | 116-2362 | 1 | Deflector-Air Flow |
| 7 | 116-1502 | 1 | Bolt-Carriage Shoulder 3/8-16 X 3 1/2 | 18 | 109-9905 | 1 | Sheave |
| 8 | 126-0095 | 6 | Screw-CARR | 19 | 1-807259 | 1 | Key-Machine 1/4 X 1/4 X 1 |
| 9 | 99-5107 | 6 | Nut-Lock 1/2-13 | 99 | 109-9828 | 1 | Bottle-Oil, 32Oz Hydraulic ● |
| 10 | 325-8 | 4 | Screw-HH 1/2-13 X 1 1/4 | 99 | 116-0164 | 1 | Filter-Hydro ● |
| 11 | 126-1324 | 1 | RH Hydro ASM (12Cc W/ Shock) | 99 | 116-1218 | 1 | Bottle,Oil 1 Gallon Hydraulic ● |
| 12 | 116-0170 | 1 | LH Hydro Guard ASM | 99 | 116-3270 | 1 | Kit, Hydro Service ● |
| 12:2 | 116-8726 | 1 | Decal-Oil, Hydro | 99:1 | 109-9828 | 4 | Bottle-Oil, 32Oz Hydraulic ● |
| | | | | 99:2 | 109-3388 | 1 | Belt |
| | | | | 99:3 | 116-0164 | 2 | Filter-Hydro ● |

● Not illustrated

LH Hydro Assembly No. 126-1323

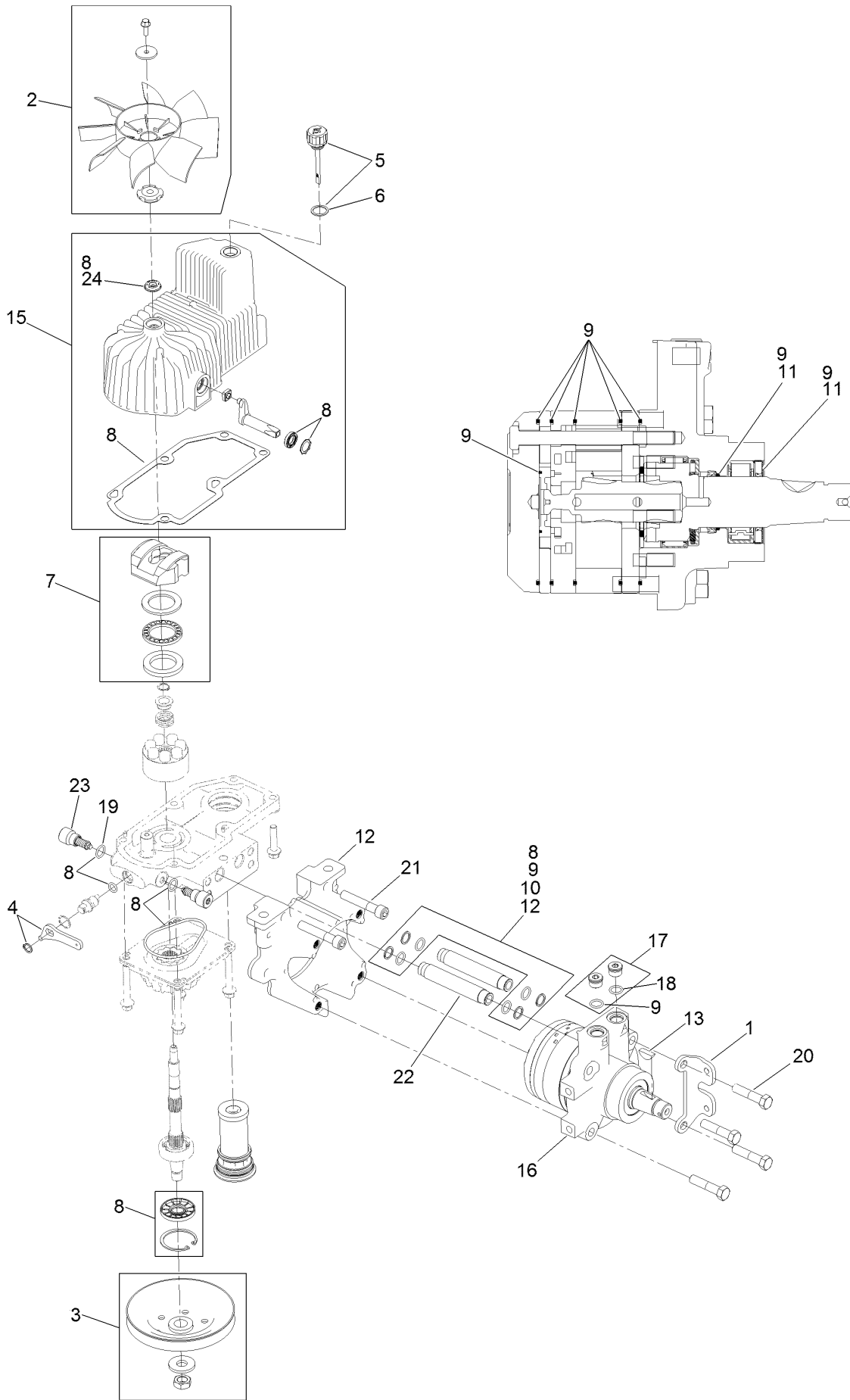


LH Hydro Assembly No. 126-1323 (continued)

| <i>Ref.</i> | <i>Part Number</i> | <i>Qty.</i> | <i>Description</i> | <i>Ref.</i> | <i>Part Number</i> | <i>Qty.</i> | <i>Description</i> |
|-------------|--------------------|-------------|-------------------------------|-------------|--------------------|-------------|----------------------------|
| 2 | 116-0233 | 1 | Fan Kit | 15 | 116-3287 | 1 | Housing-LH |
| 3 | 116-0234 | 1 | Pulley Kit | 16 | 116-8915 | 1 | Motor-Hydraulic LH 240Cc |
| 4 | 116-0235 | 1 | Handle-Bypass Valve, Hydro | 17 | 116-7901 | 1 | Magnetic Plugs Service Kit |
| 5 | 116-0236 | 1 | Dipstick-Hydro W/Gasket | 18 | 76-1900 | 2 | O-Ring |
| 6 | 116-0237 | 1 | Gasket-Dipstick, Hydro | 19 | 116-8662 | 2 | O-Ring-Check Valve |
| 7 | 116-1367 | 1 | Swash Block Kit | 20 | 116-8974 | 4 | Screw HH |
| 8 | 116-1368 | 1 | Pump Seal Kit | 21 | 116-8975 | 2 | Screw-HSH |
| 9 | 116-1369 | 1 | Motor Seal Kit | 22 | 116-9922 | 2 | Hydraulic Tube Kit |
| 10 | 116-1370 | 1 | Tube Seal Kit | 23 | 126-7466 | 2 | Shock Valve, 12Cc Hydro |
| 11 | 116-1371 | 1 | Output Shaft Seal Kit | 24 | 126-7711 | 1 | Seal-Fan Drive |
| 12 | 116-5469 | 1 | Nose Cup-Uht | 99 | 116-4245 | 1 | Puller-Pulley ● |
| 13 | 3257-42 | 1 | Key-Woodruff | 99 | 116-1373 | 1 | Flow Test Kit ● |

● Not illustrated

RH Hydro Assembly No. 126-1324



RH Hydro Assembly No. 126-1324 (continued)

| <i>Ref.</i> | <i>Part Number</i> | <i>Qty.</i> | <i>Description</i> | <i>Ref.</i> | <i>Part Number</i> | <i>Qty.</i> | <i>Description</i> |
|-------------|--------------------|-------------|-------------------------------|-------------|--------------------|-------------|----------------------------|
| 1 | 116-9063 | 1 | Mount-Shoe, Horse | 13 | 3257-42 | 1 | Key-Woodruff |
| 2 | 116-0233 | 1 | Fan Kit | 15 | 116-3288 | 1 | Housing-RH |
| 3 | 116-0234 | 1 | Pulley Kit | 16 | 116-8916 | 1 | Motor-Hydraulic RH 240Cc |
| 4 | 116-0235 | 1 | Handle-Bypass Valve, Hydro | 17 | 116-7901 | 1 | Magnetic Plugs Service Kit |
| 5 | 116-0236 | 1 | Dipstick-Hydro W/Gasket | 18 | 76-1900 | 2 | O-Ring |
| 6 | 116-0237 | 1 | Gasket-Dipstick, Hydro | 19 | 116-8662 | 2 | O-Ring-Check Valve |
| 7 | 116-1367 | 1 | Swash Block Kit | 20 | 116-8974 | 4 | Screw HH |
| 8 | 116-1368 | 1 | Pump Seal Kit | 21 | 116-8975 | 2 | Screw-HSH |
| 9 | 116-1369 | 1 | Motor Seal Kit | 22 | 116-9922 | 2 | Hydraulic Tube Kit |
| 10 | 116-1370 | 1 | Tube Seal Kit | 23 | 126-7466 | 2 | Shock Valve, 12Cc Hydro |
| 11 | 116-1371 | 1 | Output Shaft Seal Kit | 24 | 126-7711 | 1 | Seal-Fan Drive |
| 12 | 116-5469 | 1 | Nose Cup-Uht | 99 | 116-4245 | 1 | Puller-Pulley ● |
| | | | | 99 | 116-1373 | 1 | Flow Test Kit ● |

● Not illustrated

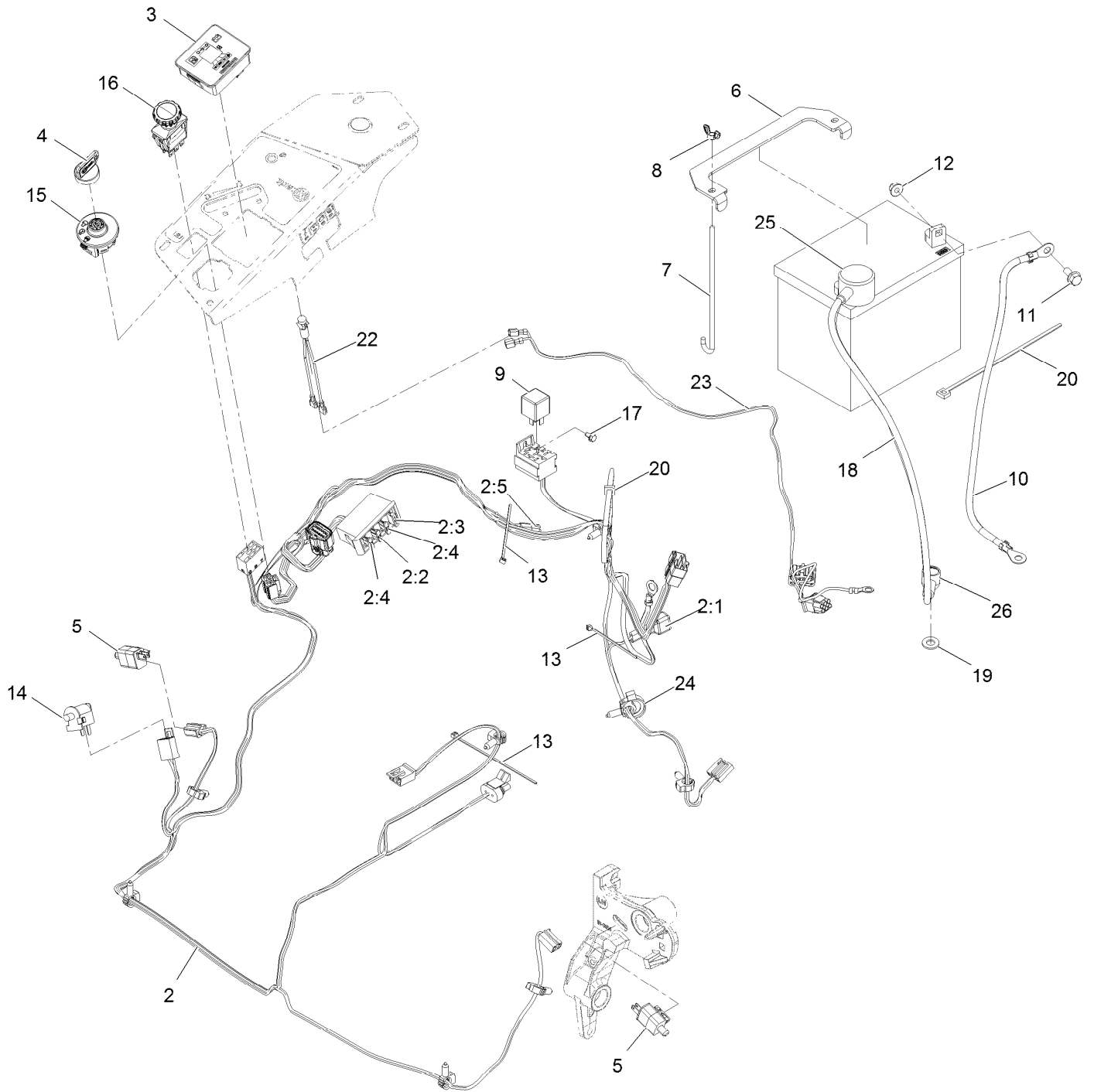
Pump Idler Assembly No. 116-1255



Pump Idler Assembly No. 116-1255 (continued)

| <i>Ref.</i> | <i>Part Number</i> | <i>Qty.</i> | <i>Description</i> | <i>Ref.</i> | <i>Part Number</i> | <i>Qty.</i> | <i>Description</i> |
|-------------|--------------------|-------------|----------------------|-------------|--------------------|-------------|-------------------------|
| 2 | 43-0940 | 1 | Spacer | 8 | 323-8 | 1 | Screw-HH 3/8-16 X 1 1/2 |
| 3 | 103-3504 | 2 | Bearing-Spherical | 9 | 32120-10 | 2 | Ring-Retaining |
| 4 | 103-3505 | 1 | Seal-Double Lip | 10 | 302-19 | 1 | Zerk-1/4-28 Str |
| 5 | 103-3506 | 1 | Seal-Single Lip | 11 | 109-8076 | 1 | Pulley-Idler |
| 6 | 109-6658 | 1 | Nut-Nyloc 3/8-16 Flg | 12 | 132-4724 | 1 | Pin-Spring Anchor |
| 7 | 106-7159 | 2 | O-Ring | | | | |

Electrical Assembly



Electrical Assembly (continued)

| <i>Ref.</i> | <i>Part Number</i> | <i>Qty.</i> | <i>Description</i> | <i>Ref.</i> | <i>Part Number</i> | <i>Qty.</i> | <i>Description</i> |
|-------------|--------------------|-------------|-------------------------|-------------|--------------------|-------------|----------------------------|
| 2 | 116-6009 | 1 | Harness-Wire, Main ● | 11 | 3234-5 | 2 | Screw-HH Flg 5/16-18 X 3/4 |
| 2:1 | 103-3895 | 1 | Diode | 12 | 104-8300 | 2 | Nut-Nyloc 5/16-18 Flg |
| 2:2 | 218-578 | 1 | Fuse-Blade, 10 Amp | 13 | 1-303287 | 3 | Tie-Cable 5 1/2 (Small) |
| 2:3 | 109355 | 1 | Fuse-Blade, 15 Amp | 14 | 82-2190 | 1 | Switch |
| 2:4 | 109102 | 2 | Fuse-Blade, 25 Amp | 15 | 117-2221 | 1 | Switch-Ignition |
| 2:5 | 116-0053 | 1 | Cap-Plug | 16 | 116-0124 | 1 | Switch-PTO, 10 Amp |
| 3 | 117-3882 | 1 | Fuel/Hour Meter ASM | 17 | 104-2065 | 1 | Screw-HWH #10-24 X 3/8 |
| 4 | 1-603511 | 1 | Key-Ignition | 18 | 115-3864 | 1 | Cable-Battery, Positive |
| 4 | 103-2106 | 1 | Key-Exmark Logo | 19 | 3256-24 | 1 | Washer-3/8 Sae |
| 5 | 110-6765 | 2 | Switch | 20 | 1-303335 | 2 | Tie-Cable 7 15/16 (Large) |
| 6 | 116-0042-03 | 1 | Strap-Tie Down, Battery | 22 | 1-643267 | 1 | Indicator-Red Led |
| 7 | 1-633651 | 2 | Bolt-Holddown | 23 | 116-3062 | 1 | Harness-Light, Indicator |
| 8 | 1-543792 | 2 | Wingnut-Nyloc 1/4-20 | 24 | 105-1853 | 1 | Clamp-Hose |
| 9 | 1-643275 | 1 | Relay-12Vdc 40 Amp | 25 | 109-2407 | 1 | Insulator-Battery |
| 10 | 114-1218 | 1 | Cable-Battery, Negative | 26 | 1-543393 | 1 | Insulator-Solenoid |

● Use dielectric grease on all unsealed connectors and terminals only. Do not apply in sealed connectors.

Notes:

Notes:

Notes:



MAXIMIZE THE PERFORMANCE OF YOUR EXMARK MACHINE.



EXMARK® PREMIUM ENGINE OIL

Exmark now offers a family of engine oil viscosities to perform well in any environment. Each viscosity has the same synthetic formulation to give you what you need in punishing conditions. We designed each grade to the highest quality, making it ideal even for diesel applications. Coupled with Exmark Premium Fuel Treatment, we have the performance products to make your machine hum.

EXMARK PREMIUM ENGINE OIL SAE 30/10W-30

- Meets zero shear requirements of a straight grade SAE 30 as well as the cold temp properties of a 10W-30.
- Most versatile oil in the industry.
- Superior corrosion protection over conventional oil - even in corrosive, humid environments.

EXMARK PREMIUM ENGINE OIL SAE 20W-50

- Perfect for your big block engine, or any application in severe service.
- Same full synthetic formulation as all other Exmark Premium viscosities.
- Also effective for use in severe service small block engines.

EXMARK PREMIUM ENGINE OIL SAE 10W-50

- Full synthetic formulation gives you peak performance. Don't settle for less.
- Wide span multi-grade combines easy starting in cold weather with maximum protection in high temperature operation.
- Reduce friction & wear over standard mineral formulations.

EXMARK PREMIUM ENGINE OIL SAE 0W-40

- The perfect choice for when the weather turns cold or unpredictable, and your Exmark UTV has to perform.
- Commercial quality for severe service.
- Advanced additive package helps prevent corrosion from long-term storage.

EXMARK PREMIUM ENGINE OIL UTV FORMULATION

- 4-cycle high-temp formulation.
- Heavier viscosity, full synthetic, perfect for your UTV.

EXMARK PREMIUM UTV EXTREME CONDITIONS GEAR OIL

- SAE 80W-90, designed to keep your UTV performing at its peak.
- Shear stable, hypoid gear lube.
- Includes a premium additive system to combat wear, oxidation, rust & corrosion.

Available from your local Exmark dealer. Find your closest dealer at exmark.com

EXMARK ACCESSORIES AND OPTIONS*

MID-MOUNT RIDING ACCESSORIES AND OPTIONS

| | |
|------------------------------------|---------------------------------|
| CUSTOM RIDE SEAT SUSPENSION SYSTEM | OPERATOR CONTROLLED DISCHARGE |
| FULL SUSPENSION SEAT | SUN SHADE |
| DECK LIFT ASSIST KIT | TRASH CONTAINER |
| HITCH KIT | TURF STRIPER |
| LIGHT KIT | ULTRA VAC COLLECTION SYSTEM |
| 12V POWER PORT | ULTRA VAC QUICK DISPOSAL SYSTEM |
| MICRO-MULCH SYSTEM | |

OUT-FRONT RIDING ACCESSORIES AND OPTIONS

| | |
|------------------------------------|---------------------------------|
| CUSTOM RIDE SEAT SUSPENSION SYSTEM | SNOW BLADE |
| DUAL-TAIL WHEEL | SNOWBLOWER |
| FLOOR PAN EXTENDER | SUN SHADE |
| HITCH KIT | TRASH CONTAINER |
| LIGHT KIT | ULTRA VAC COLLECTION SYSTEM |
| MICRO-MULCH SYSTEM | ULTRA VAC QUICK DISPOSAL SYSTEM |
| ROLL OVER PROTECTION SYSTEM (ROPS) | WEATHER CAB |

WALK-BEHIND ACCESSORIES AND OPTIONS

| | |
|--------------------|--------------|
| GRASS CATCHER | TURF STRIPER |
| MICRO-MULCH SYSTEM | STANDON |

*Some accessories and options not available for some models.

Place Model No. and Serial No.
Label Here (Included in the Literature
Pack) or Fill in Below

Model No. _____

Serial No. _____

Date Purchased _____

Engine Model No. and Spec. No. _____

Engine Serial No. (E/No) _____

© 2016 Exmark Mfg. Co., Inc.
Industrial Park Box 808
Beatrice, NE 68310
All Rights Reserved

Part No. 4503-138 Rev. A
(402) 223-6375
Fax (402) 223-5489
Printed in the USA.

