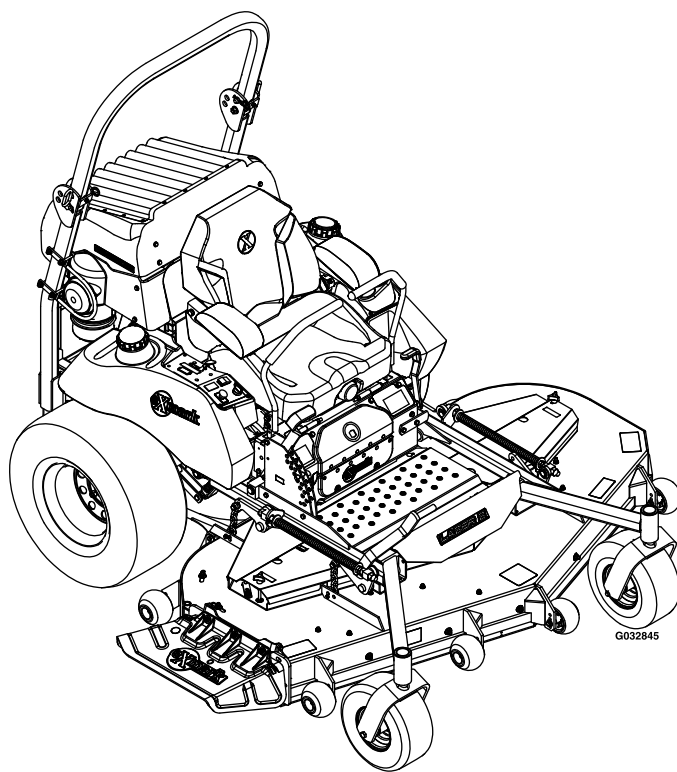




# LAZER Z<sup>®</sup> DS-SERIES

Model No. LZS902DKU605A1—Serial No. 31600000 and Up

Picture below may not reflect actual product.



# Parts Manual

# Ordering Replacement Parts

To order replacement parts, please supply the part number, the quantity, and the description of each part desired.

## Understanding Reference Numbers

Each identified part in an illustration has a reference number. The reference number for a part also appears in the parts list, along with other information about the part.

This catalog uses two special reference number formats, one to indicate parts in a service assembly and another to indicate the quantity of a given part in an illustration.

## Service Assembly Reference Numbers

Parts in service assemblies have reference numbers in the form a:b. The a represents the reference number of the entire service assembly and the b represents a sequential number unique to each part within the service assembly.

For example, a wheel assembly might be identified by reference number 6, the tire by 6:1, the valve by 6:2, and the wheel by 6:3. When you order the assembly identified by reference number 6, you receive all parts identified by reference numbers 6:1, 6:2, and 6:3. However, you may also order any part individually. Reference numbers of this type appear in illustration and in parts lists.

## Reference Numbers Indicating Quantity

In an illustration, if a reference number indicates more than one part, the reference number has the form nX y. The n represents the quantity of the part, the X is the multiplication symbol, and the y represents the reference number.

For example, in an illustration, the reference number 2X 37 means that two of the parts identified by reference number 37 are indicated.

# List of Abbreviations

<b>AR:</b> as required	<b>HLH:</b> hex lag head	<b>PTH:</b> phillips truss head
<b>ASM:</b> assembly	<b>HOC:</b> height-of-cut	<b>PTO:</b> power-take-off
<b>BBC:</b> blade brake control	<b>HP:</b> high pressure	<b>RH:</b> right hand
<b>BHTF:</b> button head thread forming	<b>HSBH:</b> hex socket button head	<b>ROPS:</b> roll-over protection system
<b>CARR:</b> carriage	<b>HSFH:</b> hex socket flat head	<b>RRB:</b> rear roller brush
<b>CCW:</b> counter clockwise	<b>HSH:</b> hex socket head	<b>SFH:</b> slotted fillister head
<b>CW:</b> clockwise	<b>HWH:</b> hex washer head	<b>SHH:</b> slotted hex head
<b>DEG:</b> degrees	<b>HWHTF:</b> hex washer head thread forming	<b>SHWH:</b> slotted hex washer head
<b>DPA:</b> Dual Point Adjustment	<b>HYD:</b> hydraulic	<b>SPH:</b> slotted pan head
<b>ECM:</b> electronic control module	<b>LH:</b> left hand	<b>SQH:</b> square head
<b>EXT:</b> external	<b>LP:</b> low pressure	<b>SRH:</b> slotted round head
<b>FH:</b> flat head	<b>LPG:</b> Liquefied Petroleum Gas	<b>STD:</b> standard
<b>GA:</b> gauge	<b>NI:</b> nylon insert	<b>TAP:</b> self tapping
<b>HD:</b> heavy-duty	<b>NPTF:</b> national pipe thread fine	<b>TTH:</b> torx truss head
<b>HF:</b> hex flange	<b>PFH:</b> phillips flat head	
<b>HH:</b> hex head	<b>PPH:</b> phillips pan head	
<b>HHF:</b> hex head flange	<b>PPHTF:</b> phillips pan head thread forming	
<b>HHFTF:</b> hex head flange thread forming	<b>PRH:</b> phillips round head	
<b>HJ:</b> hex jam		

# Touch Up Paint

Exmark black touch up spray paint – gloss black.

Exmark red touch up paint (spray paint – P/N 1-850337 - .6 oz liquid bottle – P/N 103-9140).

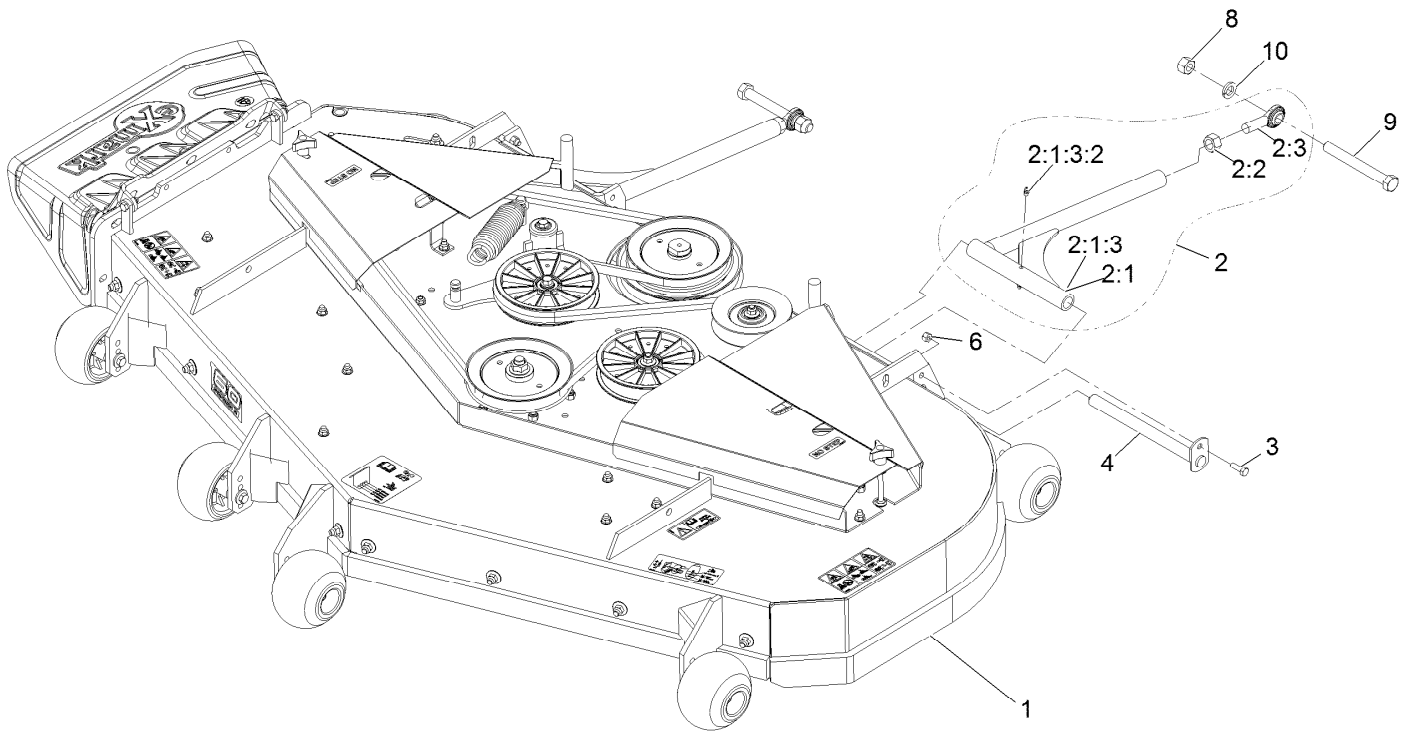


If your Exmark dealer does not have the Exmark part in stock, Exmark will get the parts to the dealer the next business day or the part will be FREE Guaranteed!! (Some restrictions apply. See your participating Exmark Dealer for details.)

## Contents

Complete Deck Assembly . . . . .	4
Deck Assembly . . . . .	6
Deck W/Decals Assembly No. 109-2100 . . . . .	8
Idler Arm W/Bearings Kit No. 109-2095 . . . . .	10
Cutter Housing Assembly No. 103-9539 . . . . .	12
Front Frame Assembly . . . . .	14
Front Frame Assembly No. 116-9498 . . . . .	16
Front Frame Assembly (cont) . . . . .	18
Wheel and Tire Assembly . . . . .	20
Front Frame Spring Assembly No. 109-4995 . . . . .	22
Main Frame Assembly . . . . .	24
Neutral Return Assembly No. 109-3903 . . . . .	26
Engine Deck W/Decals Assembly No. 109-3984 . . . . .	28
Motion Control Assembly . . . . .	30
LH Motion Control Assembly No. 109-3979 . . . . .	32
RH Motion Control Assembly No. 109-3978 . . . . .	34
Tracking Rod Assembly No. 103-3062 . . . . .	36
RH Hydro Connecting Link Assembly No. 103-5190 . . . . .	38
Rear Wheel and Park Brake Assembly . . . . .	40
Seat Assembly . . . . .	42
Seat W/Tracks Assembly No. 116-8912 . . . . .	44
Seat Frame Single Latch Assembly . . . . .	46
Fuel Assembly . . . . .	48
Fuel Valve Hose Assembly . . . . .	50
Engine Assembly . . . . .	52
Cooling Assembly . . . . .	54
Hood Assembly . . . . .	56
Latch Plate Assembly No. 109-8427 . . . . .	58
Mule Drive Assembly . . . . .	60
Tightener Arm W/Pulley Assembly No. 116-9286 . . . . .	62
Hydraulic Assembly . . . . .	64
Electrical Assembly . . . . .	66

# Complete Deck Assembly

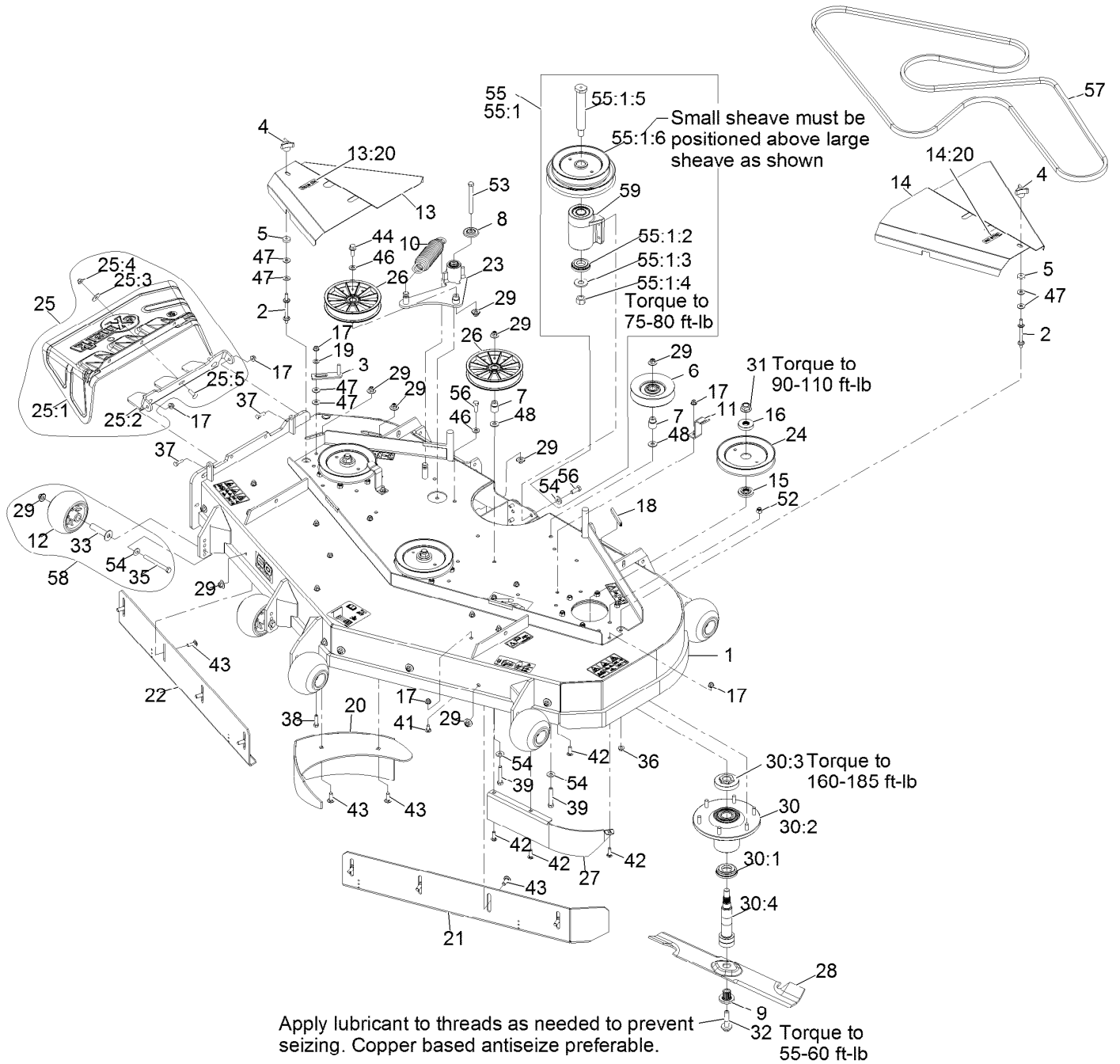


## Complete Deck Assembly (continued)

<i>Ref.</i>	<i>Part Number</i>	<i>Qty.</i>	<i>Description</i>	<i>Ref.</i>	<i>Part Number</i>	<i>Qty.</i>	<i>Description</i>
1	116-9148	1	ASM-Deck Complete 605	3	322-5	2	Screw-HH 5/16-18 X 1
2	103-8543	2	Asm, Strut 60"	4	1-632199-01	2	Pin-Strut
2:1	109-1184	1	Wld, Deck Strut-Std 60	6	3296-29	2	Nut-Nyloc 5/16-18
2:1:3		1	Tube And Zerk ASM ●	8	3217-11	2	Nut-Hex 5/8-11
2:1:3:2	109-1380	2	Fitting-Grease	9	327-28	2	Screw-HH 5/8-11 X 5 1/2
2:2	3219-6	1	Nut-Hex 5/8-18	10	3253-8	2	Washer-Lock 5/8
2:3	1-633029	1	Balljoint				

● Not serviced separately

# Deck Assembly



## Deck Assembly (continued)

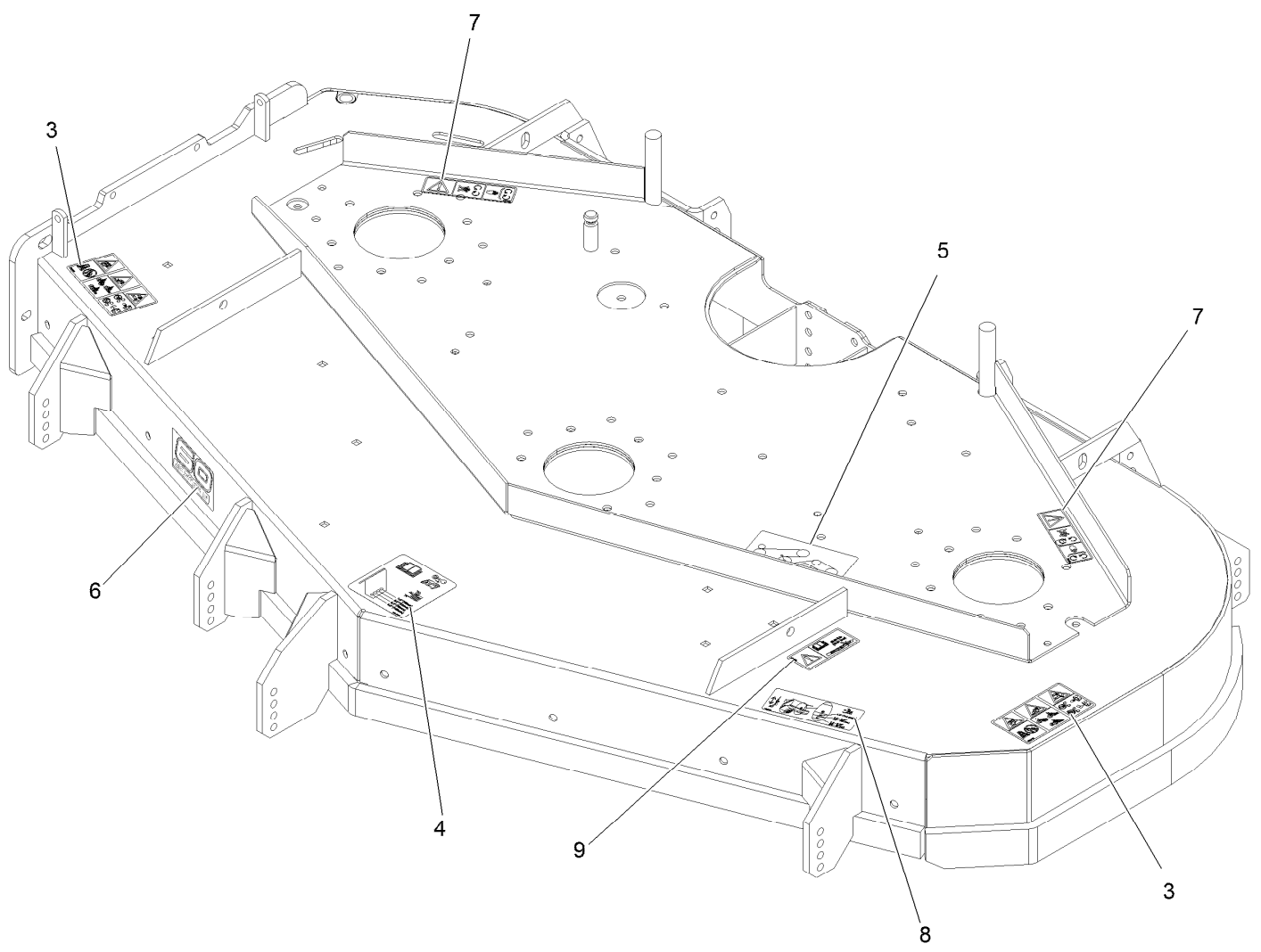
<i>Ref.</i>	<i>Part Number</i>	<i>Qty.</i>	<i>Description</i>	<i>Ref.</i>	<i>Part Number</i>	<i>Qty.</i>	<i>Description</i>
1	109-2100	1	Asm, Deck W/Decals 60"	28	103-8240	3	Blade, Low Lift 60"
2	1-303537	2	Stud-Shield, Belt (Short)	29	109-6658	20	Nut-Nyloc 3/8-16 Flg
3	1-322110	1	Guide-Belt	30	109-6917	3	ASM,Spindle Housing
4	1-323385	2	Knob-3 Prong	30:1	103-9504	1	Guard, Bottom
5	1-323417	2	Washer-Belt Shield	30:2	103-9539	1	Asm, Cutter Housing
6	1-603805	1	Pulley-Idler	30:3	109-0916	1	Nut, Spindle 7/8-14
7	1-633456	2	Bushing, Idler	30:4	109-6881	1	Spindle,Double Spline ▲
8	103-2916	1	Guard-Top	31	109-7033	3	Nut-Flange 5/8-18 Centerlock
9	103-3037	3	Bushing, Splined	32	109-9220	3	Screw-Sems 1/2-20 X 2.19
10	116-6317	1	Spring-Extension	33	116-8131	6	Axle, Roller
11	103-8103-01	2	Latch, Belt Shield	35	116-9362	6	Screw-HH 3/8-16 X 3 3/4 Gr 8
12	103-8415	6	Roller-Anti-Scalp	36	32128-20	2	Nut-Whizlock 5/16-18
13	109-2097	1	Asm, Shield W/Decal 60" RH	37	322-5	2	Screw-HH 5/16-18 X 1
13:20	1-513742	1	Decal, No Step	38	322-6	1	Screw-HH 5/16-18 X 1 1/4
14	109-2096	1	Asm, Shield W/Decal 60" LH	39	323-11	2	Screw-HH 3/8-16 X 2 1/4
14:20	1-513742	1	Decal, No Step	41	3230-18	10	Bolt-Carriage 5/16-18 X 5/8
15	103-9522	3	Spacer, Splined Stepped	42	3230-22	5	Bolt-Carriage 5/16-18 X 1 Sp
16	103-9523	3	Spacer, Splined	43	3231-22	10	Bolt-Carriage 3/8-16 X 1
17	104-8300	18	Nut-Nyloc 5/16-18 Flg	44	3234-11	1	Screw-HH Flg 3/8-16 X 1
18	105-7699	4	Strip-Seal	46	3256-24	2	Washer-3/8 Sae
19	1-303334	1	Washer-Spring Disc 5/16	47	3256-3	6	Washer-5/16 Std
20	109-0694-01	1	Wld, Dogleg 60"	48	3256-4	2	Washer-3/8 Std
21	109-0701-01	1	Wld, Baffle Front Adj LH 60"	52	3296-39	18	Nut-Nyloc 3/8-16
22	109-0704-01	1	Wld, Baffle Front Adj RH 60"	53	98-5961	1	Screw-HH 3/8-16 X 4 Gr8
23	109-2095	1	Kit, Idler Arm W/Bearings	54	98-5975	12	Washer-Spring Disc 3/8
24	109-1023	3	Sheave-Blade Drive	55	103-3249	1	Jackshaft Assy
25	109-2099	1	Asm, Discharge Chute	55:1		1	ASM, Jackshaft 60 & 72 - 3750 ●
25:1	109-2739	1	Chute, Discharge Lz	55:1:2	103-2535	1	Spacer-Guard Bottom
25:2	109-0498-01	1	Hinge, Grass Discharge	55:1:3	1-513208	1	Washer-Spring Disc 5/8
25:3	3256-82	3	Washer	55:1:4	3219-6	1	Nut-Hex 5/8-18
25:4	104-8300	3	Nut-Nyloc 5/16-18 Flg	55:1:5	1-643393	1	Jackshaft ▲
25:5	3230-22	3	Bolt-Carriage 5/16-18 X 1 Sp	55:1:6	103-3046	1	Sheave, Jackshaft Double ▲
26	109-2796	2	Pulley,Idler 6"	56	323-6	5	Screw-HH 3/8-16 X 1
27	109-5424-01	1	Baffle, Scroll 60"	57	1-633127	1	Belt, Blade Drive 60" Deck
28	116-5499	3	Blade-Extreme 2, 20.75	58	116-9981	6	Kit, Anti-Scalp Roller
28	109-6469	3	Blade-High Lift Solid, 20.75	59	103-9746	1	Asm, Jackshaft Housing
28	109-6463	3	Blade,High Lift Notched 20.75				
28	109-5396	3	Blade, Mulch 20.75 Mk605 ■				

● Not serviced separately

■ Requires installation of mulch kit for proper mulching. See your Exmark dealer for details.

▲ Apply Mobil HTS grease (P/N 103-5217 1.5 oz packet) (or a food-grade anti-seize). See operator s manual for locations.

# Deck W/Decals Assembly No. 109-2100

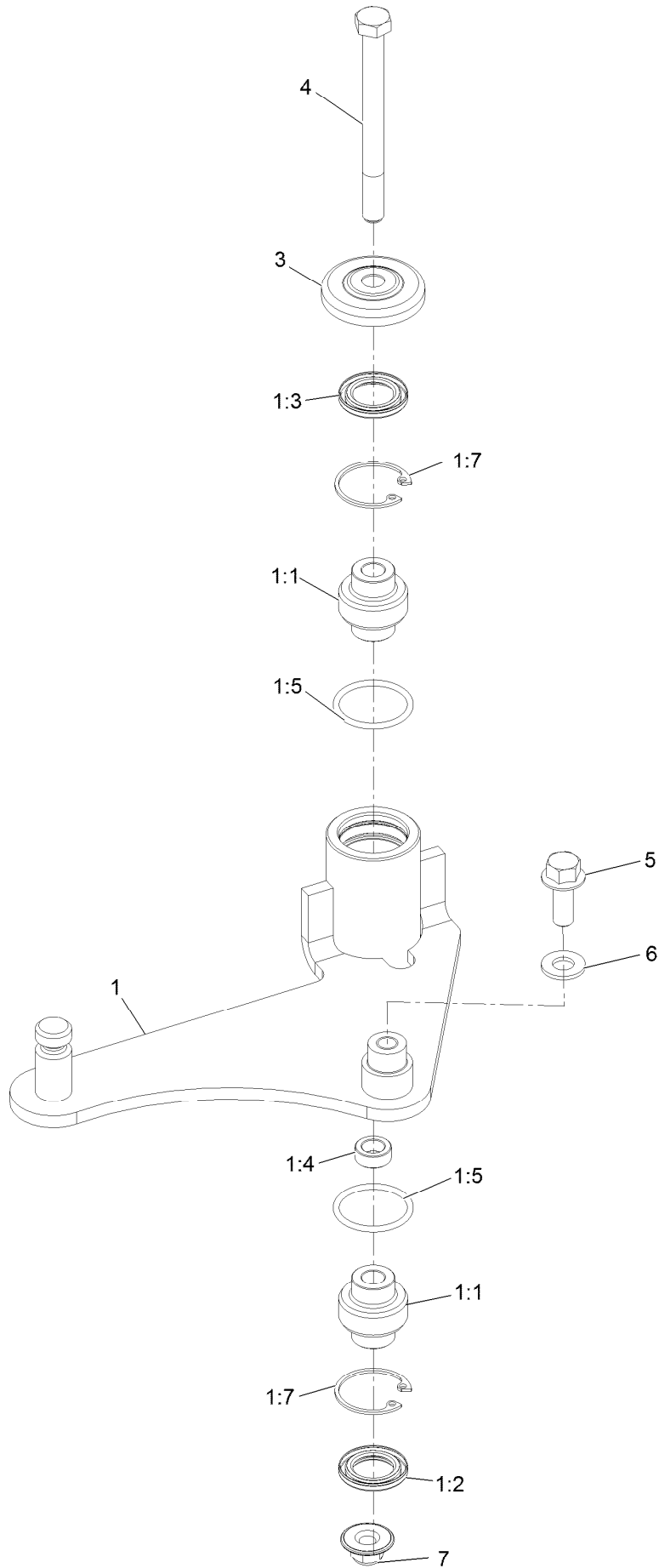




## Deck W/Decals Assembly No. 109-2100 (continued)

<i>Ref.</i>	<i>Part Number</i>	<i>Qty.</i>	<i>Description</i>	<i>Ref.</i>	<i>Part Number</i>	<i>Qty.</i>	<i>Description</i>
3	126-6464	2	Decal-Danger Thrown Objects	6	126-6594	1	Decal, 605
4	126-4757	1	Decal-Height Of Cut	7	112-9028	2	Decal-Missing, Cover
5	126-4758	1	Decal-Belt Routing	8	126-4754	1	Decal-Baffle Adj
				9	116-8283	1	Decal-Bolt Torque

# Idler Arm W/Bearings Kit No. 109-2095

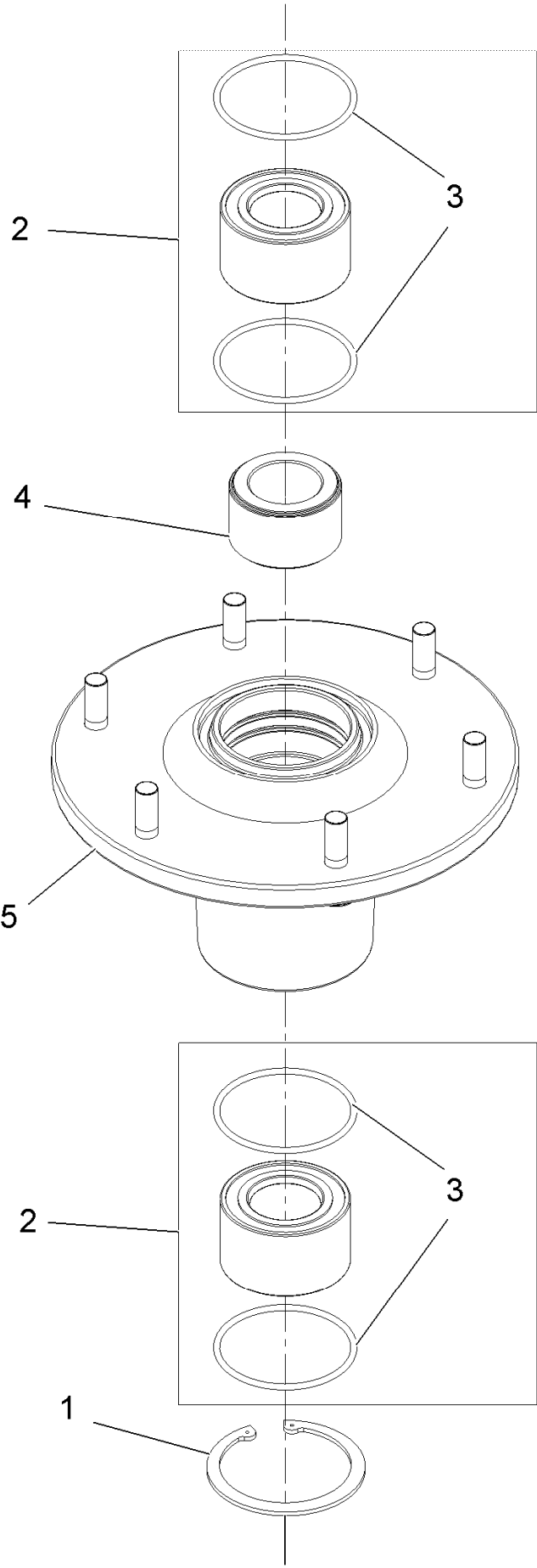


## Idler Arm W/Bearings Kit No. 109-2095 (continued)

<i>Ref.</i>	<i>Part Number</i>	<i>Qty.</i>	<i>Description</i>	<i>Ref.</i>	<i>Part Number</i>	<i>Qty.</i>	<i>Description</i>
1		1	ASM,Deck Idler ●	1:7	32120-10	2	Ring-Retaining
1:1	103-3504	2	Bearing-Spherical	3	103-2916	1	Guard-Top
1:2	103-3505	1	Seal-Double Lip	4	98-5961	1	Screw-HH 3/8-16 X 4 Gr8
1:3	103-3506	1	Seal-Single Lip	5	3234-11	1	Screw-HH Flg 3/8-16 X 1
1:4	103-5677	1	Spacer	6	3256-24	1	Washer-3/8 Sae
1:5	106-7159	2	O-Ring	7	109-6658	1	Nut-Nyloc 3/8-16 Flg

● Not serviced separately

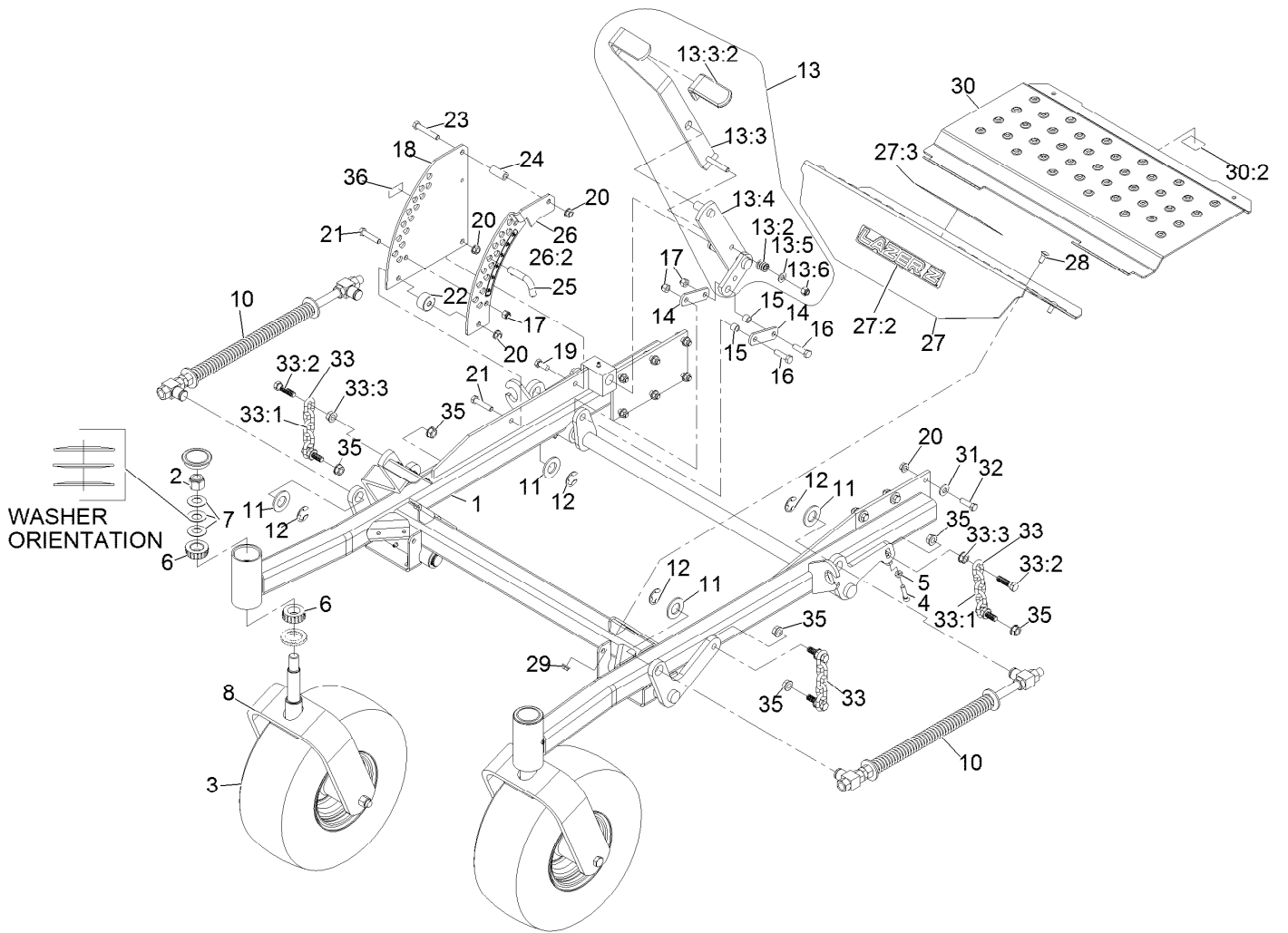
# Cutter Housing Assembly No. 103-9539



## Cutter Housing Assembly No. 103-9539 (continued)

<i>Ref.</i>	<i>Part Number</i>	<i>Qty.</i>	<i>Description</i>	<i>Ref.</i>	<i>Part Number</i>	<i>Qty.</i>	<i>Description</i>
1	92-5581	1	Ring-Retaining	4	103-9506	1	Spacer, Bearing
2	109-2064	1	Asm, Bearing W/O-Rings	5	109-0764	1	Asm, Housing W/Studs
3	103-5895	4	O-Ring				

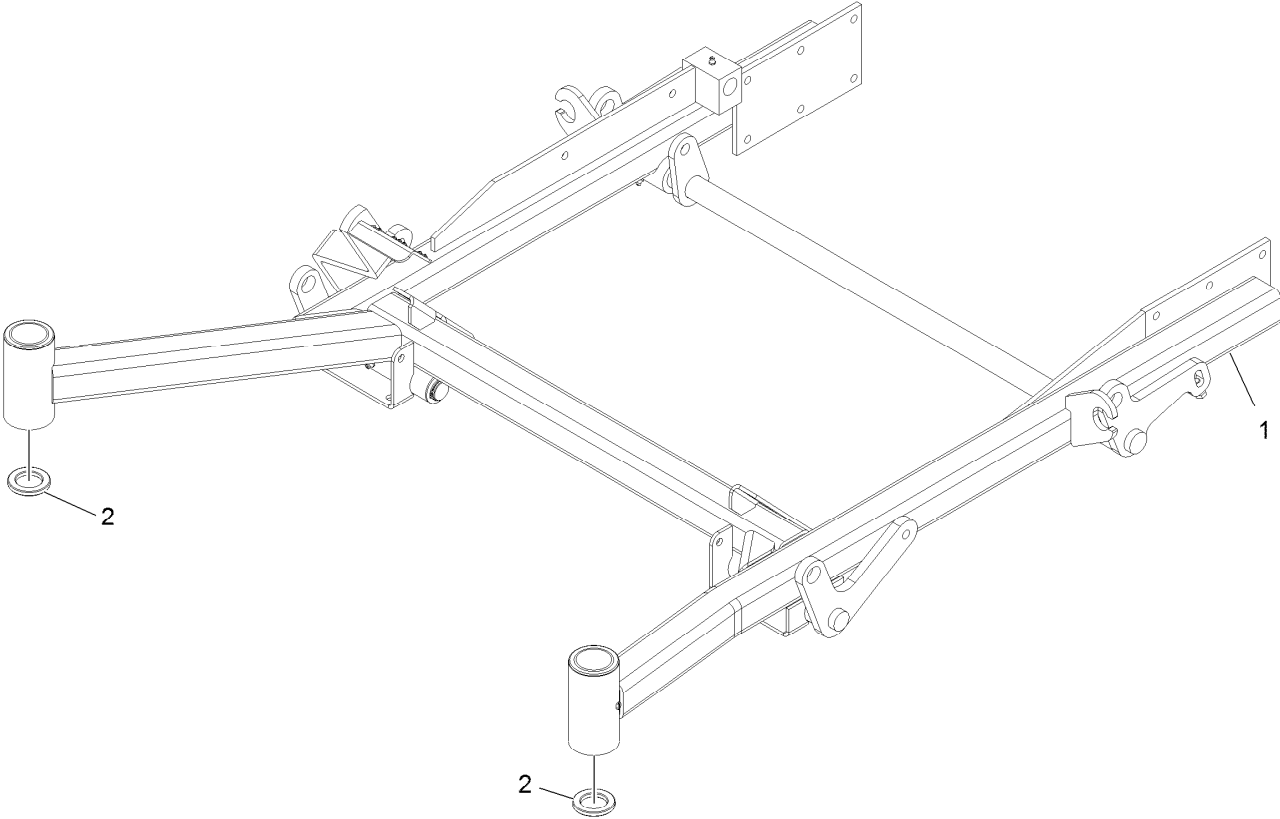
# Front Frame Assembly



## Front Frame Assembly (continued)

<i>Ref.</i>	<i>Part Number</i>	<i>Qty.</i>	<i>Description</i>	<i>Ref.</i>	<i>Part Number</i>	<i>Qty.</i>	<i>Description</i>
1	116-9498	1	ASM-Frt Frm 605	20	3290-357	15	Nut-Whizlock 3/8-16
2	3296-51	2	Nut-Nyloc 3/4-10	21	323-9	1	Screw-HH 3/8-16 X 1 3/4
3	109-9127	2	Wheel & Tire ASM	22	109-3193	1	Stop, Deck Height
4	3274-18	2	Screw-Sh 5/16-18 X 1 1/4	23	323-11	1	Screw-HH 3/8-16 X 2 1/4
5	3218-2	2	Nut-Jam 5/16-18	24	1-633082	1	Bushing
6	1-543509	4	Cone-Bearing Tapered Roller	25	116-5584	1	Pin-HOC
7	1-633508	6	Washer-Spring Disc	26	116-9124	1	Plate-Lift, Deck W/Decal
8	116-6707-01	2	Caster	26:2	126-4664	1	Decal-Height Of Cut
10	109-4995	2	Asm, Front Frame Spring	27	109-1903	1	Asm, Floorpan (103-8274-01) W/Decals
11	3256-29	4	Washer-7/8 Sae	27:2	126-6574	1	Decal, Lazer Model
12	32151-103	5	E-Ring	27:3	132-0871	1	Decal-Danger
13	109-4488	1	ASM,Deck Lift Handle	28	3230-1	4	Bolt-Carriage 5/16-18 X 3/4
13:2	1-633325	1	Spring-Compression	29	32128-20	4	Nut-Whizlock 5/16-18
13:3	103-2084	1	Lift Lever/Grip ASM	30	109-1902	1	Asm, Floorpan, Liftout (103-8276-01) W/Decal
13:3:2	1-633295	1	Grip-Lever, Lift	30:2	126-4748	1	Decal-Guard
13:4	109-4487	1	Wld,Arm Deck Lift	31	98-5975	12	Washer-Spring Disc 3/8
13:5	3256-24	1	Washer-3/8 Sae	32	323-7	12	Screw-HH 3/8-16 X 1 1/4
13:6	3296-39	1	Nut-Nyloc 3/8-16	33	103-9792	4	Deck Chain ASM
14	1-633068	2	Arm-Lift, Deck	33:1	1-633447	1	Chain-Lift, Deck
15	103-1918	2	Bushing	33:2	103-1898	2	Screw-HH 7/16-20 X 1-5/8 Sp
16	323-29	2	Screw-HH 3/8-16 X 1 3/8	33:3	32128-37	2	Nut-Whizlock 7/16-14
17	3296-39	2	Nut-Nyloc 3/8-16	35	32128-37	8	Nut-Whizlock 7/16-14
18	116-9122-01	1	Plate-Deck Lift Notched Outer	36	126-4345	1	Decal-Patent Ttco.Com
19	323-5	1	Screw-HH 3/8-16 X 7/8				

# Front Frame Assembly No. 116-9498



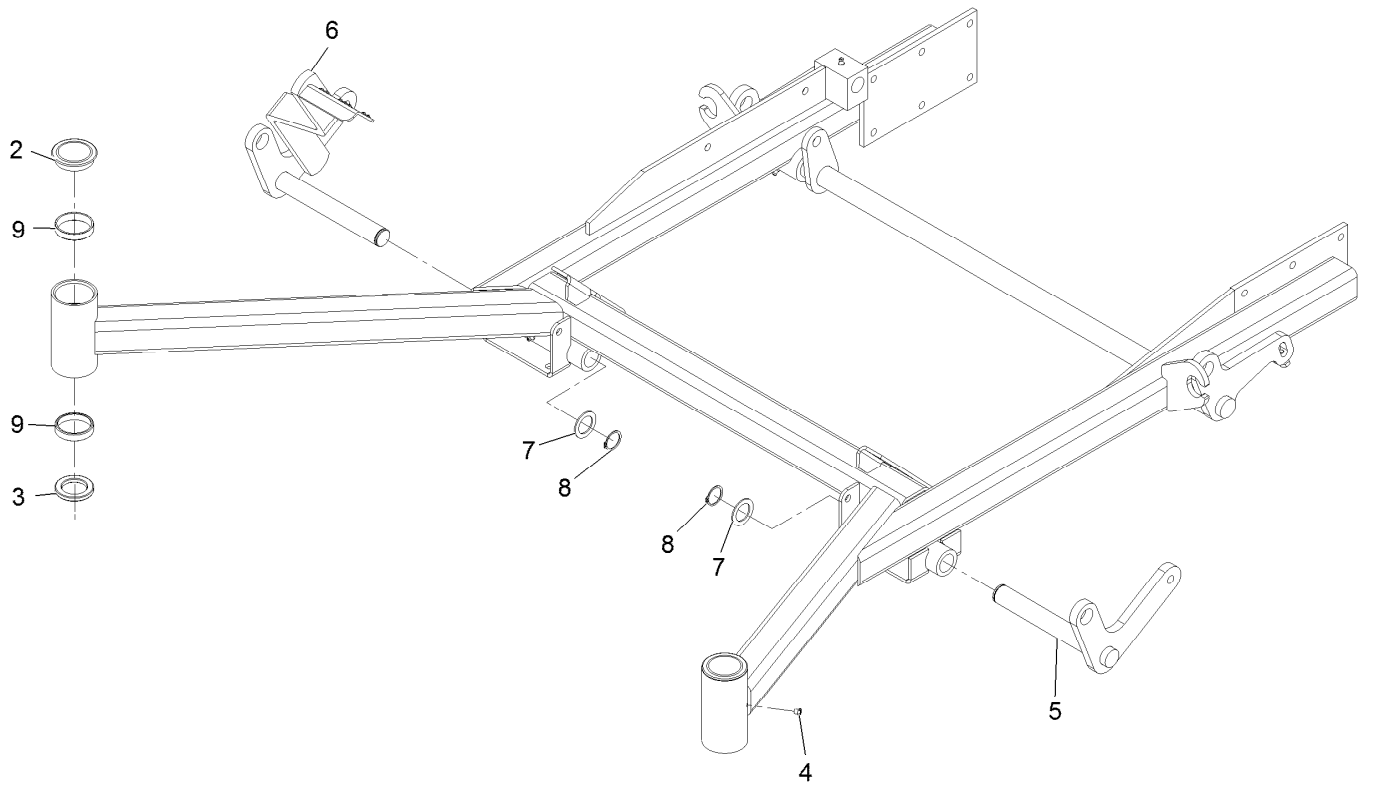


# Front Frame Assembly No. 116-9498 (continued)

<i>Ref.</i>	<i>Part Number</i>	<i>Qty.</i>	<i>Description</i>
1		1	ASM-Front Frame 605 ●
2	1-543511	2	Seal-Grease

● Not serviced separately

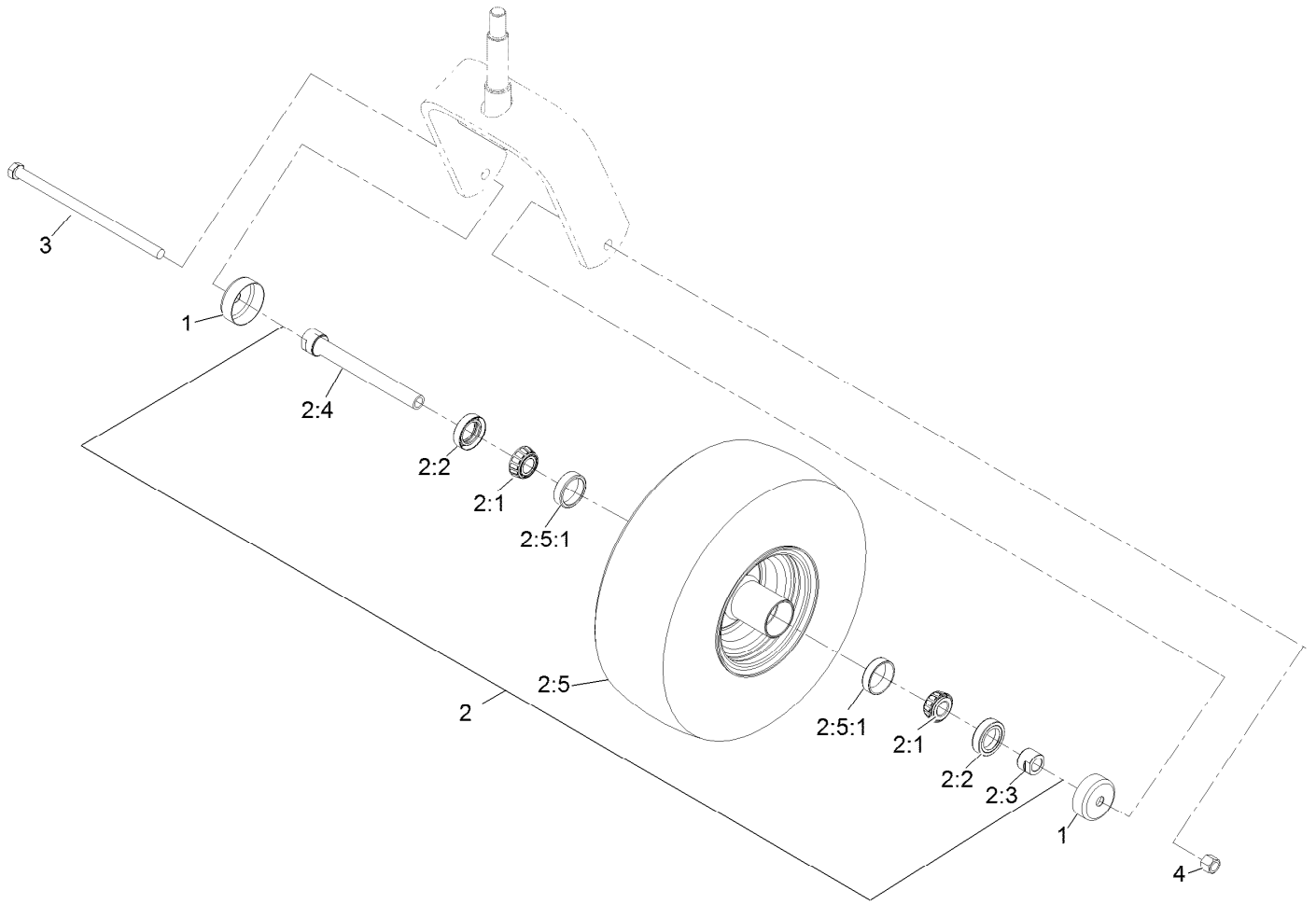
# Front Frame Assembly (cont)



## Front Frame Assembly (cont) (continued)

<i>Ref.</i>	<i>Part Number</i>	<i>Qty.</i>	<i>Description</i>	<i>Ref.</i>	<i>Part Number</i>	<i>Qty.</i>	<i>Description</i>
2	103-4882	2	Cap-Grease	7	1-523157	2	Washer
3	116-5647	2	Seal-Grease	8	32151-29	2	Ring-Retaining
4	1-811010	2	Plug	9	1-543508	4	Cup-Bearing Tapered Roller
5	103-9741-01	1	Weldmt, Front Lift Shaft (LH)				
6	103-9740-01	1	Weldmt, Front Lift W/Lever(RH)				

# Wheel and Tire Assembly



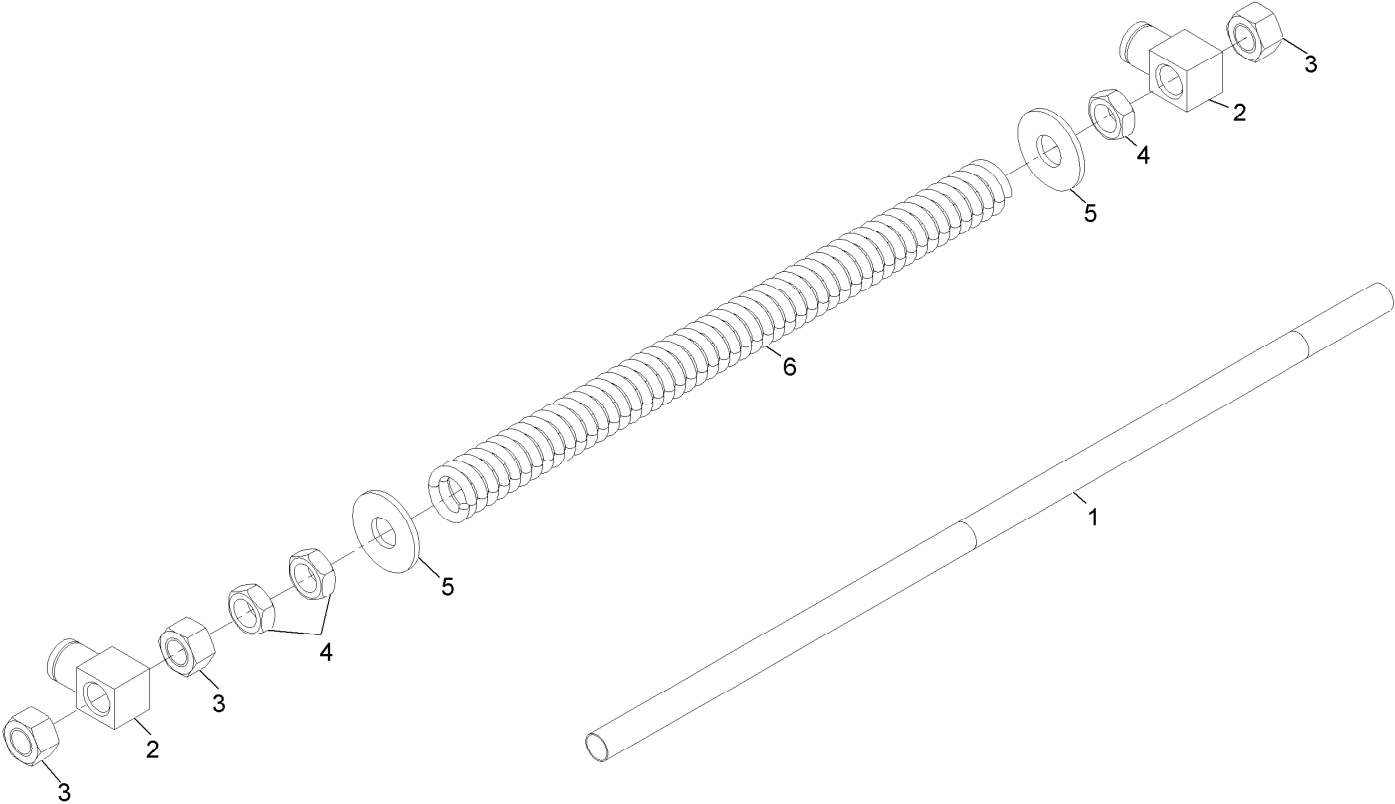
## Wheel and Tire Assembly (continued)

<i>Ref.</i>	<i>Part Number</i>	<i>Qty.</i>	<i>Description</i>	<i>Ref.</i>	<i>Part Number</i>	<i>Qty.</i>	<i>Description</i>
1	103-2768	2	Guard-Seal	2:4	126-5361	1	Axle ASM-Caster
2		1	Wheel And Tire ASM ●	2:5		1	Wheel And Tire ASM ●
2:1	1-633585	2	Bearing-Cone Tapered Roller	2:5:1	1-633584	2	Bearing-Cup
2:2	103-0063	2	Seal-Double Lip	3	325-39	1	Screw-HH 1/2-13 X 9 1/2
2:3	103-3051	1	Spacer-Nut ■	4	3296-23	1	Nut-Nyloc 1/2-13

● Not serviced separately

■ Use Pro-Lock, Nut Type (P/N 1-840022, .5ml tube) on threads.

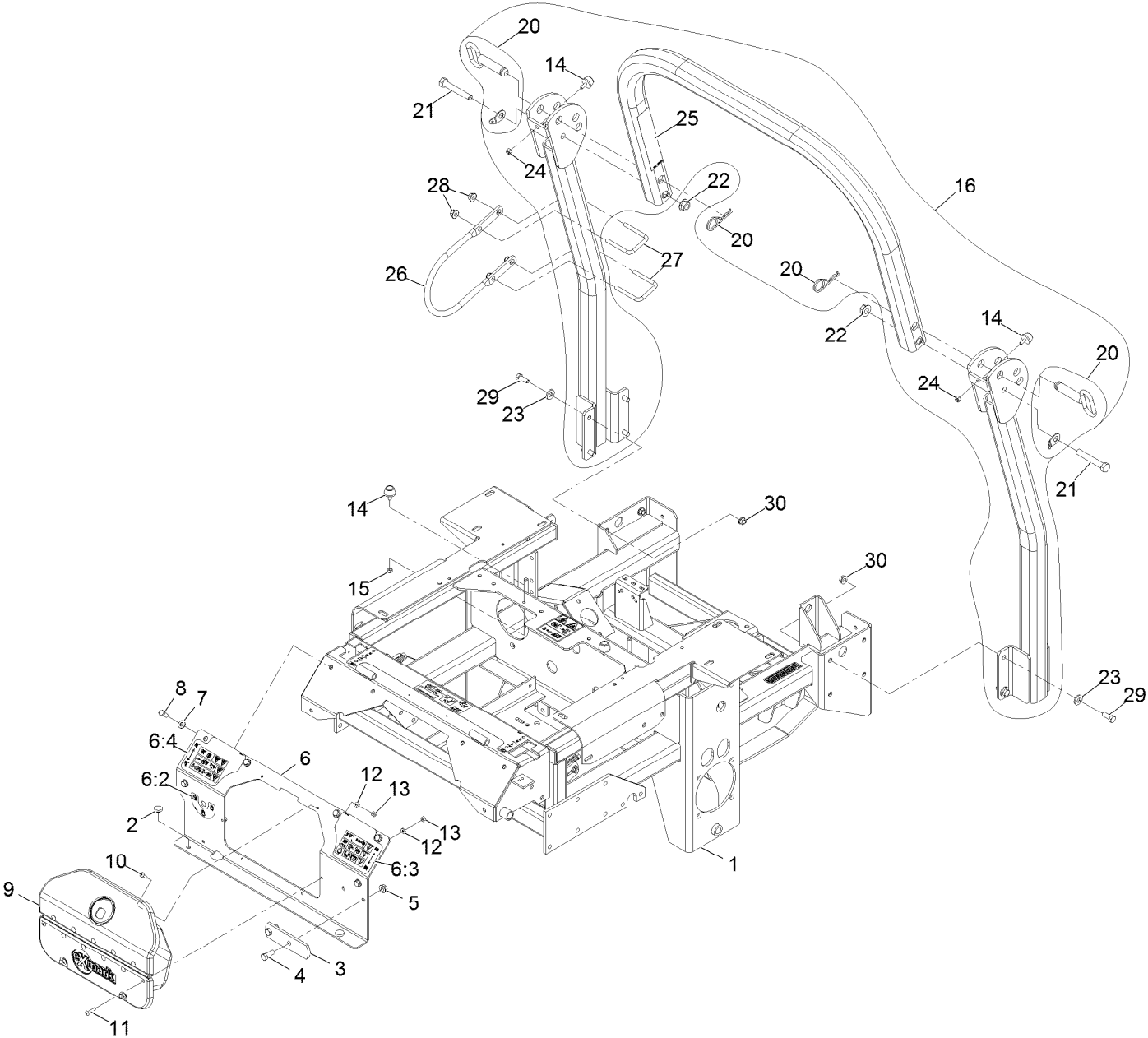
# Front Frame Spring Assembly No. 109-4995



# Front Frame Spring Assembly No. 109-4995 (continued)

<i>Ref.</i>	<i>Part Number</i>	<i>Qty.</i>	<i>Description</i>	<i>Ref.</i>	<i>Part Number</i>	<i>Qty.</i>	<i>Description</i>
1	1-633096	1	Rod-Lift, Deck	4	3218-6	3	Nut-Jam 5/8-11
2	1-633441	2	Swivel-Deck Mount, Rear	5	3256-7	2	Washer-5/8 Std
3	3217-11	3	Nut-Hex 5/8-11	6	109-4963	1	Spring, Deck Support

# Main Frame Assembly



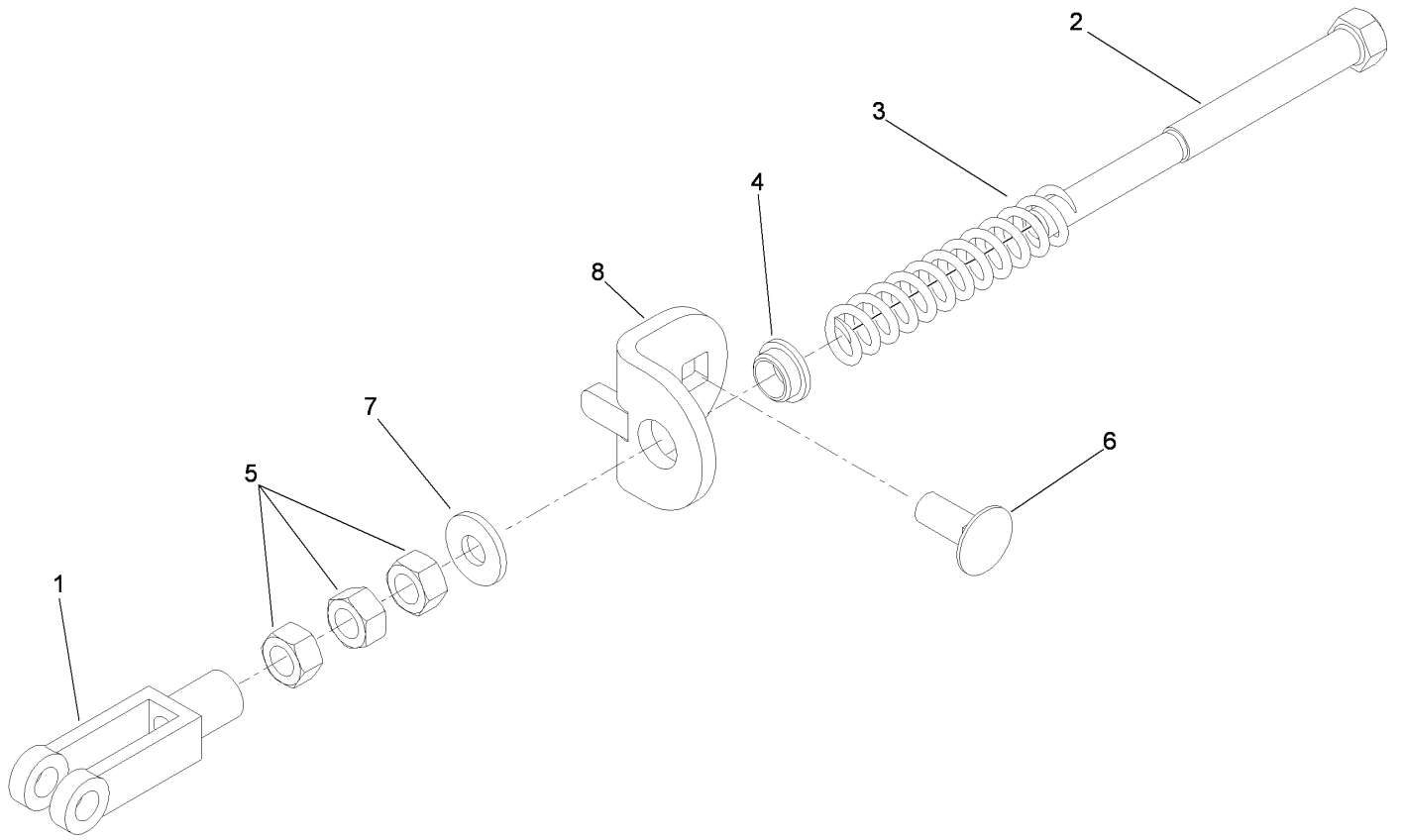


## Main Frame Assembly (continued)

<i>Ref.</i>	<i>Part Number</i>	<i>Qty.</i>	<i>Description</i>	<i>Ref.</i>	<i>Part Number</i>	<i>Qty.</i>	<i>Description</i>
1	109-3984	1	Asm, Engine Deck (109-3985-03) W/Decals	12	3256-14	6	Washer-#10 Std
2	1-513658	2	Bumper	13	3296-2	6	Nut-Nyloc #10-24
3	1-633964-03	1	Stop-Brake, Park	14	109-2365	4	Bumper-Rubber
4	323-6	2	Screw-HH 3/8-16 X 1	15	3296-42	2	Nut-Nyloc 1/4-20
5	3290-357	2	Nut-Whizlock 3/8-16	16	109-0060	1	Kit, Xp Rops ●
6	109-2075	1	Asm, Console(103-8273-03) W/Decals	20	103-4553	2	Pin-Fold, ROPS
6:2	126-4848	1	Decal-Fuel	21	325-13	2	Screw-HH 1/2-13 X 3 1/4
6:3	126-4755	1	Decal-Console LH	22	32128-23	2	Nut-Hex 1/2-13 Side Lock
6:4	126-4756	1	Decal-Console RH	23	98-5975	8	Washer-Spring Disc 3/8
7	3256-23	6	Washer-5/16 Sae	24	3296-73	2	Nut-Nyloc 1/4-20
8	322-3	6	Screw-HH 5/16-18 X 3/4	25	107-3069	1	Decal-Warning, Folding ROPS
9	103-3666	1	Asm, Cubby	26	103-7599-03	1	Guard
10	1-803075	2	Screw-Truss Head #10-24 X 3/4	27	109-2394	2	U-Bolt
11	32122-28	4	Screw-Truss HD #10-24 X 1	28	104-8301	4	Nut-Nyloc 3/8-16 Flg
				29	323-6	8	Screw-HH 3/8-16 X 1
				30	3290-357	8	Nut-Whizlock 3/8-16

● Includes seat belt assembly

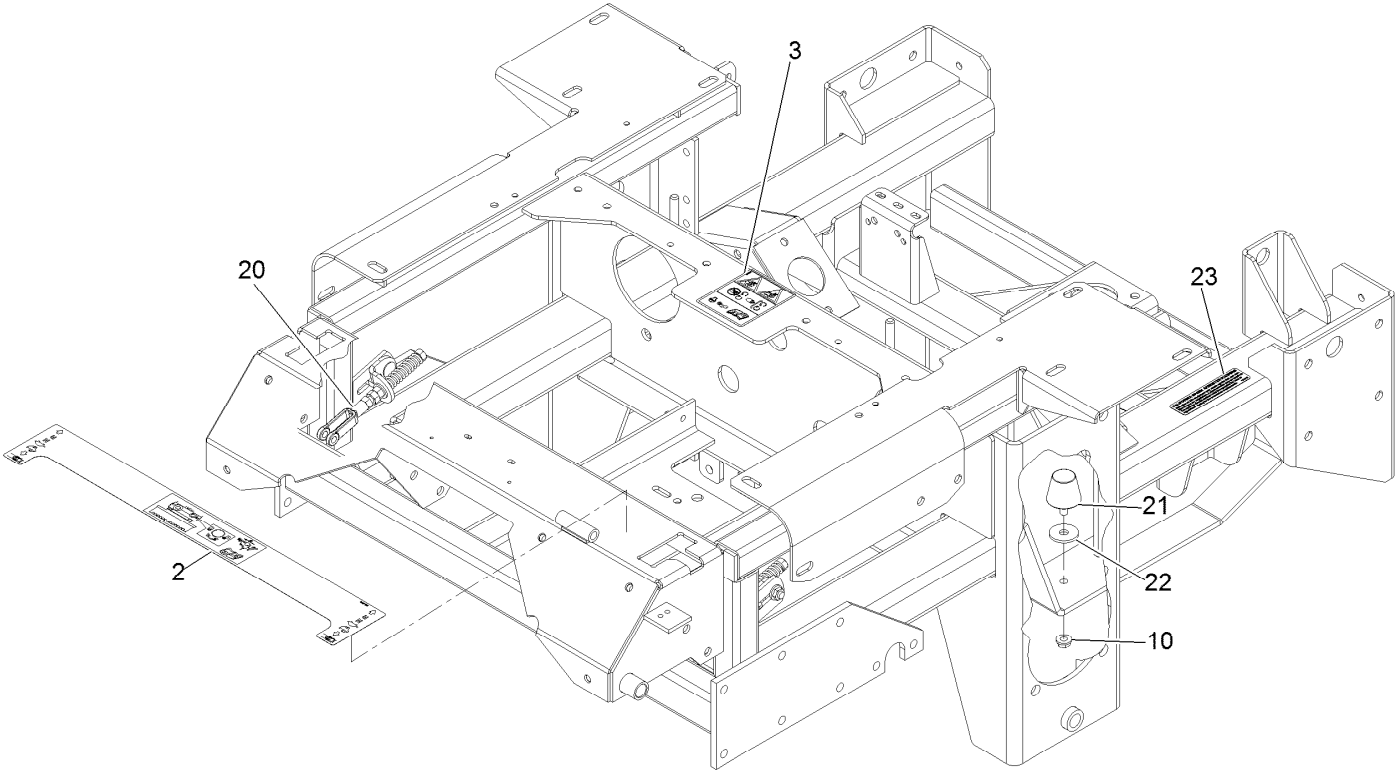
# Neutral Return Assembly No. 109-3903



# Neutral Return Assembly No. 109-3903 (continued)

<i>Ref.</i>	<i>Part Number</i>	<i>Qty.</i>	<i>Description</i>	<i>Ref.</i>	<i>Part Number</i>	<i>Qty.</i>	<i>Description</i>
1	1-303105	1	Yoke-Adjustable	5	3219-2	3	Nut-Hex
2	1-603737	1	Bolt-Return, Neutral	6	3230-23	1	Screw-CARR
3	1-603807	1	Spring-Return, Neutral	7	3256-2	1	Washer-Flat
4	109-3769	1	Bushing-Nylon, Flanged	8	109-3908	1	Tab-Adjustment

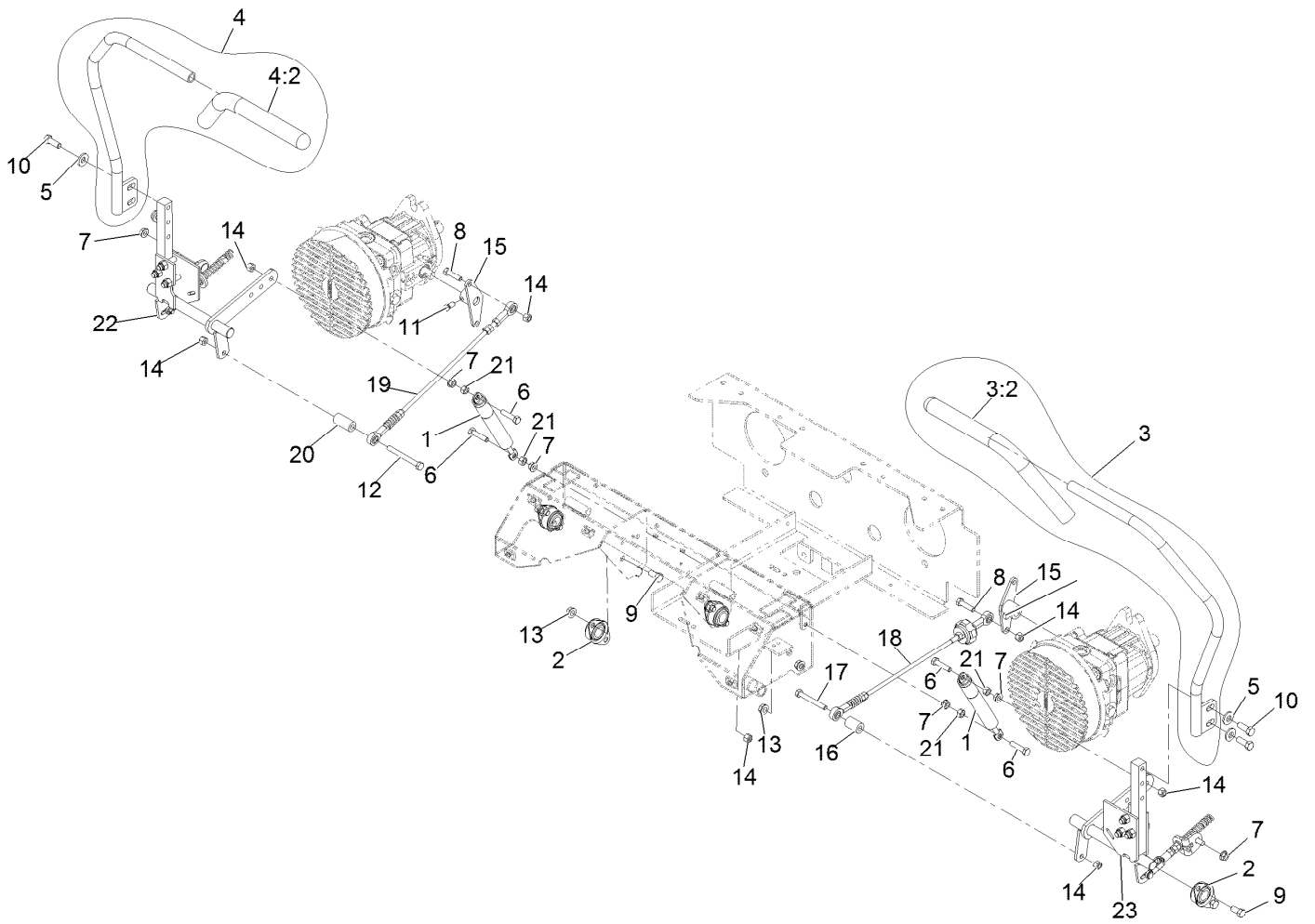
# Engine Deck W/Decals Assembly No. 109-3984



# Engine Deck W/Decals Assembly No. 109-3984 (continued)

<i>Ref.</i>	<i>Part Number</i>	<i>Qty.</i>	<i>Description</i>	<i>Ref.</i>	<i>Part Number</i>	<i>Qty.</i>	<i>Description</i>
2	126-4743	1	Decal-Console Center	20	109-3903	2	Neutral Return ASM
3	126-4859	1	Decal-Rotating Device Hazard	21	1-543963	1	Bumper-Rubber
10	32128-20	3	Nut-Whizlock 5/16-18	22	63-8410	1	Washer
				23	117-2718	1	Decal-Arrester, Spark

# Motion Control Assembly

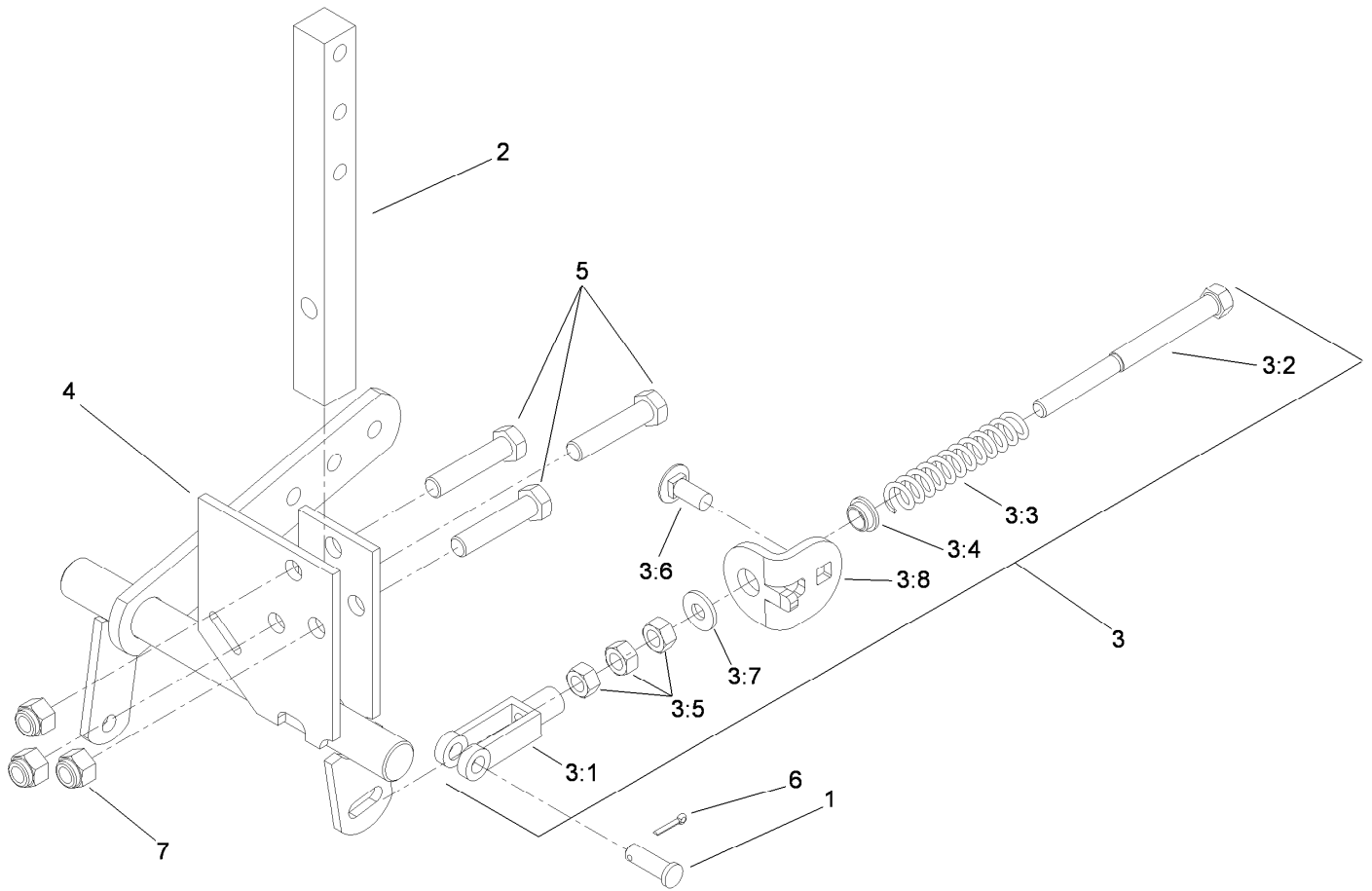


## Motion Control Assembly (continued)

<i>Ref.</i>	<i>Part Number</i>	<i>Qty.</i>	<i>Description</i>	<i>Ref.</i>	<i>Part Number</i>	<i>Qty.</i>	<i>Description</i>
1	109-2339	2	Damper-Control, Motion	10	323-6	4	Screw-HH 3/8-16 X 1
2	1-633102	4	Bearing-Flanged	11	1-803022	2	Setscrew-5/16-18 X 5/8 ●
3	103-3457	1	Handle (103-3326-03) W/Grip (LH)	12	322-14	1	Screw-HH 5/16-18 X 3
3:2	103-3456	1	Grip, Motion Control Handle	13	3290-357	8	Nut-Whizlock 3/8-16
4	103-3458	1	Handle (103-3327-03) W/Grip (RH)	14	3296-29	8	Nut-Nyloc 5/16-18
4:2	103-3456	1	Grip, Motion Control Handle	15	103-0194-03	2	Arm-Control, Hydro
5	98-5975	4	Washer-Spring Disc 3/8	16	103-1361	1	Spacer
6	1-403180	4	Screw-HH 5/16-18 X 1 3/8 Special	17	322-12	1	Screw-HH 5/16-18 X 2 1/2
7	32128-20	6	Nut-Whizlock 5/16-18	18	103-3062	1	Tracking Rod ASM
8	322-6	2	Screw-HH 5/16-18 X 1 1/4	19	103-5190	1	RH HYD Connect Link ASM
9	323-4	8	Screw-HH 3/8-16 X 3/4	20	103-5192	1	Spacer-Control, HYD
				21	3217-6	4	Nut-Hex 5/16-18
				22	109-3978	1	RH Motion Control ASM
				23	109-3979	1	LH Motion Control ASM

● Use Pro-Lock, Nut Type (P/N 1-840022, .5ml tube) on threads.

# LH Motion Control Assembly No. 109-3979

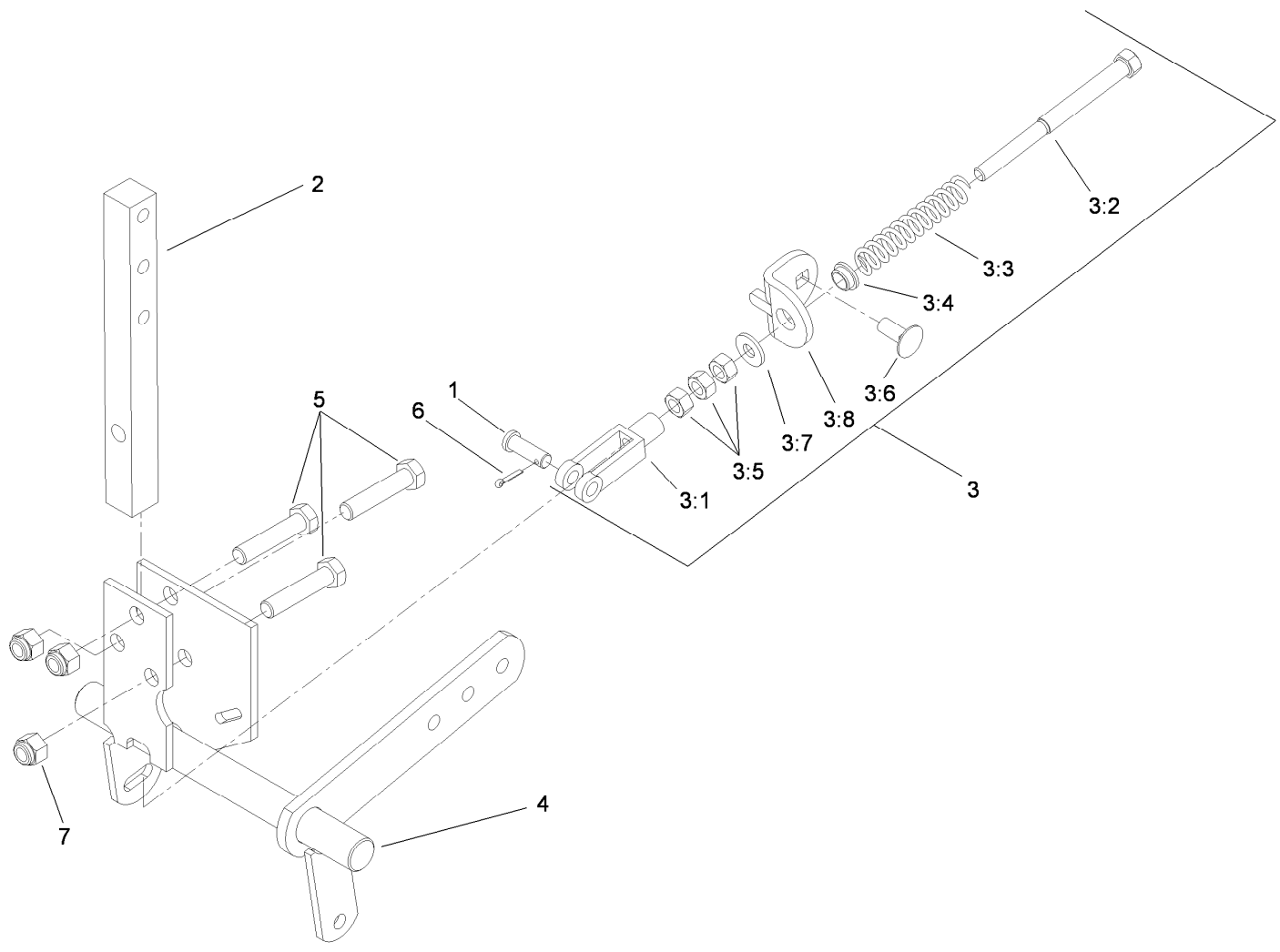




# LH Motion Control Assembly No. 109-3979 (continued)

<i>Ref.</i>	<i>Part Number</i>	<i>Qty.</i>	<i>Description</i>	<i>Ref.</i>	<i>Part Number</i>	<i>Qty.</i>	<i>Description</i>
1	1-808280	1	Pin-Clevis	3:6	3230-23	1	Screw-CARR
2	103-0407	1	Arm-Shaft, Control	3:7	3256-2	1	Washer-Flat
3	109-3903	1	Neutral Return ASM	3:8	109-3908	1	Tab-Adjustment
3:1	1-303105	1	Yoke-Adjustable	4	109-3983	1	Control-Motion, LH
3:2	1-603737	1	Bolt-Return, Neutral	5	323-9	3	Screw-HH
3:3	1-603807	1	Spring-Return, Neutral	6	3272-5	1	Pin-Cotter
3:4	109-3769	1	Bushing-Nylon, Flanged	7	3296-39	3	Nut-Lock, NI
3:5	3219-2	3	Nut-Hex				

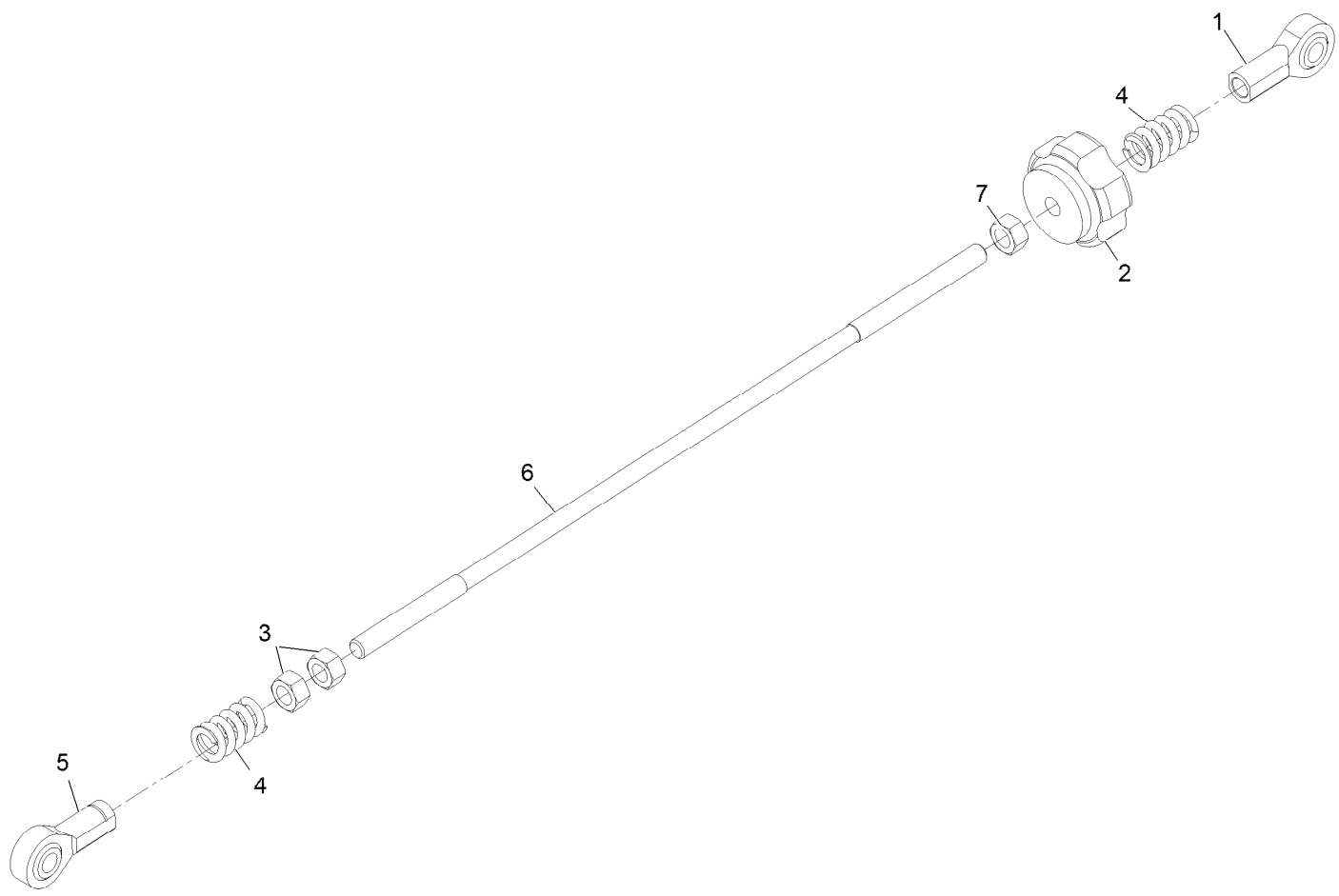
# RH Motion Control Assembly No. 109-3978



## RH Motion Control Assembly No. 109-3978 (continued)

<i>Ref.</i>	<i>Part Number</i>	<i>Qty.</i>	<i>Description</i>	<i>Ref.</i>	<i>Part Number</i>	<i>Qty.</i>	<i>Description</i>
1	1-808280	1	Pin-Clevis	3:6	3230-23	1	Screw-CARR
2	103-0407	1	Arm-Shaft, Control	3:7	3256-2	1	Washer-Flat
3	109-3903	1	Neutral Return ASM	3:8	109-3908	1	Tab-Adjustment
3:1	1-303105	1	Yoke-Adjustable	4	109-3980	1	Control-Motion, RH
3:2	1-603737	1	Bolt-Return, Neutral	5	323-9	3	Screw-HH
3:3	1-603807	1	Spring-Return, Neutral	6	3272-5	1	Pin-Cotter
3:4	109-3769	1	Bushing-Nylon, Flanged	7	3296-39	3	Nut-Lock, NI
3:5	3219-2	3	Nut-Hex				

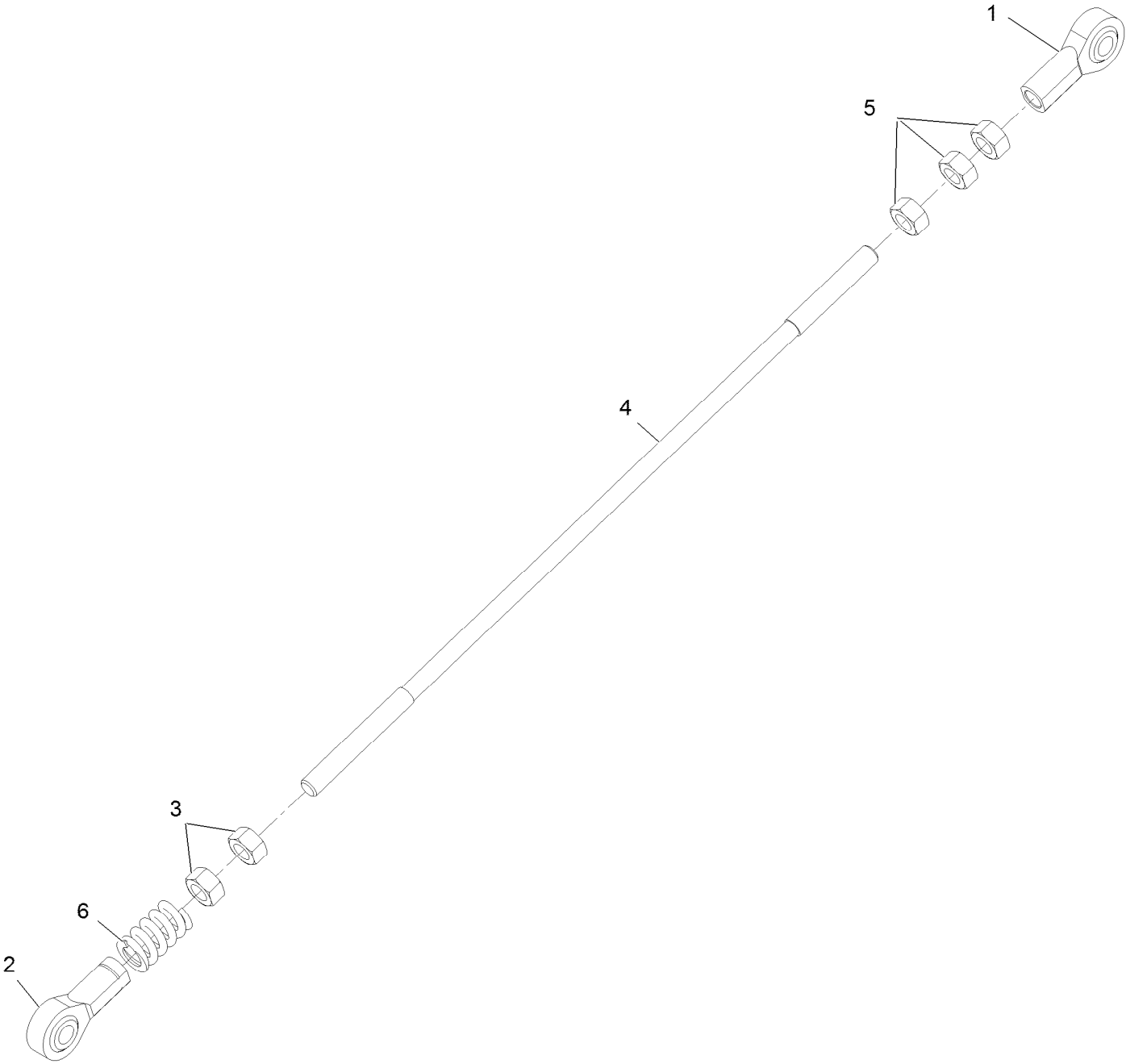
# Tracking Rod Assembly No. 103-3062



## Tracking Rod Assembly No. 103-3062 (continued)

<i>Ref.</i>	<i>Part Number</i>	<i>Qty.</i>	<i>Description</i>	<i>Ref.</i>	<i>Part Number</i>	<i>Qty.</i>	<i>Description</i>
1	1-543017	1	Balljoint	5	1-633152	1	Balljoint
2	103-3060	1	Knob-Tracking	6	103-3065	1	Link, Hydro Connecting (LH)
3	1-804524	2	Nut-Hex 5/16-24 (LH)	7	3219-2	1	Nut-Hex 5/16-24
4	1-323245	2	Spring-Compression				

# RH Hydro Connecting Link Assembly No. 103-5190

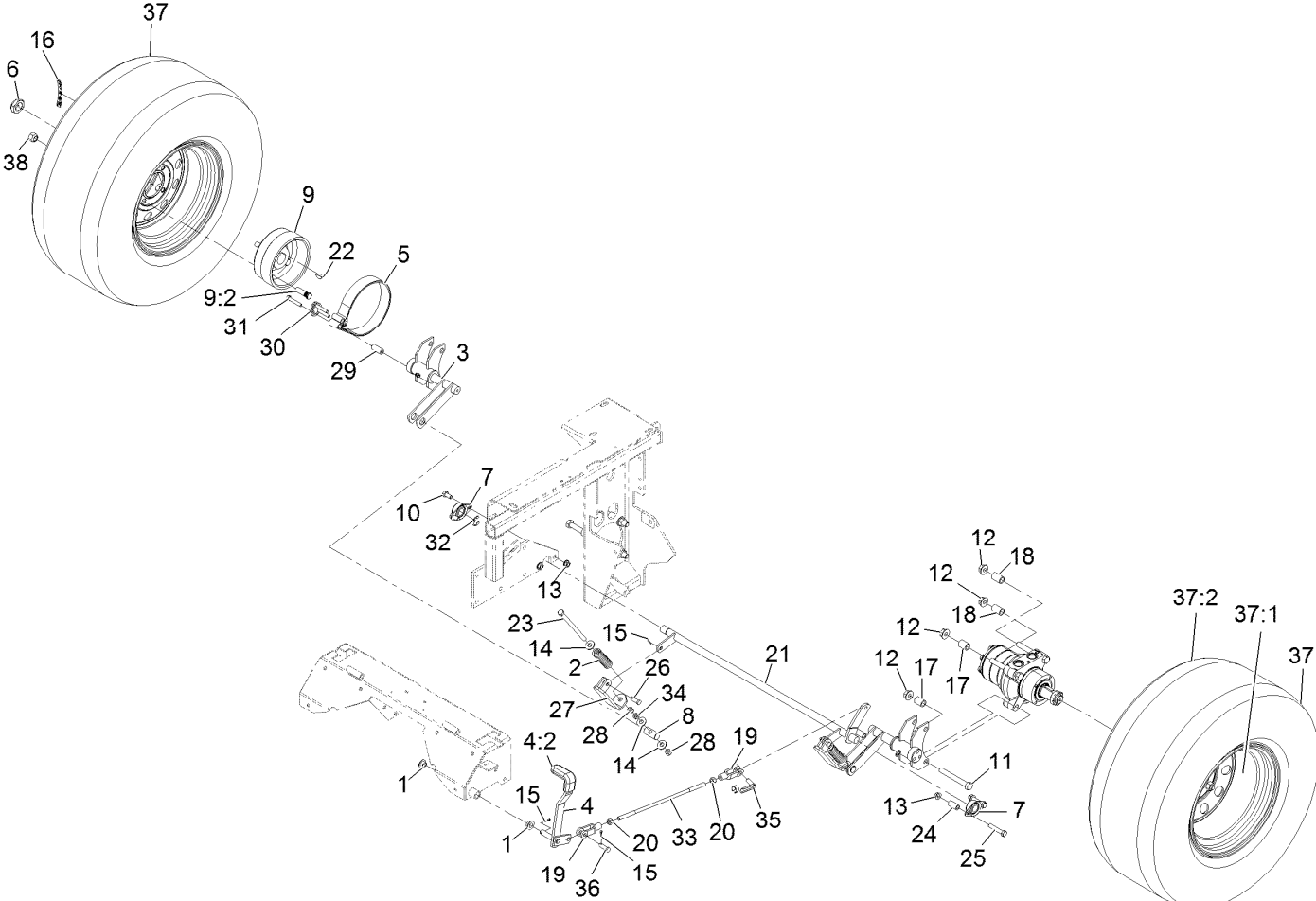


# RH Hydro Connecting Link Assembly No. 103-5190 (continued)

<i>Ref.</i>	<i>Part Number</i>	<i>Qty.</i>	<i>Description</i>
1	1-543017	1	Balljoint
2	1-633152	1	Balljoint
3	1-804524	2	Nut-Hex 5/16-24 (LH)
4	103-5182	1	Link, Hydro Connecting (RH)

<i>Ref.</i>	<i>Part Number</i>	<i>Qty.</i>	<i>Description</i>
5	3219-2	3	Nut-Hex 5/16-24
6	1-323245	1	Spring-Compression

# Rear Wheel and Park Brake Assembly

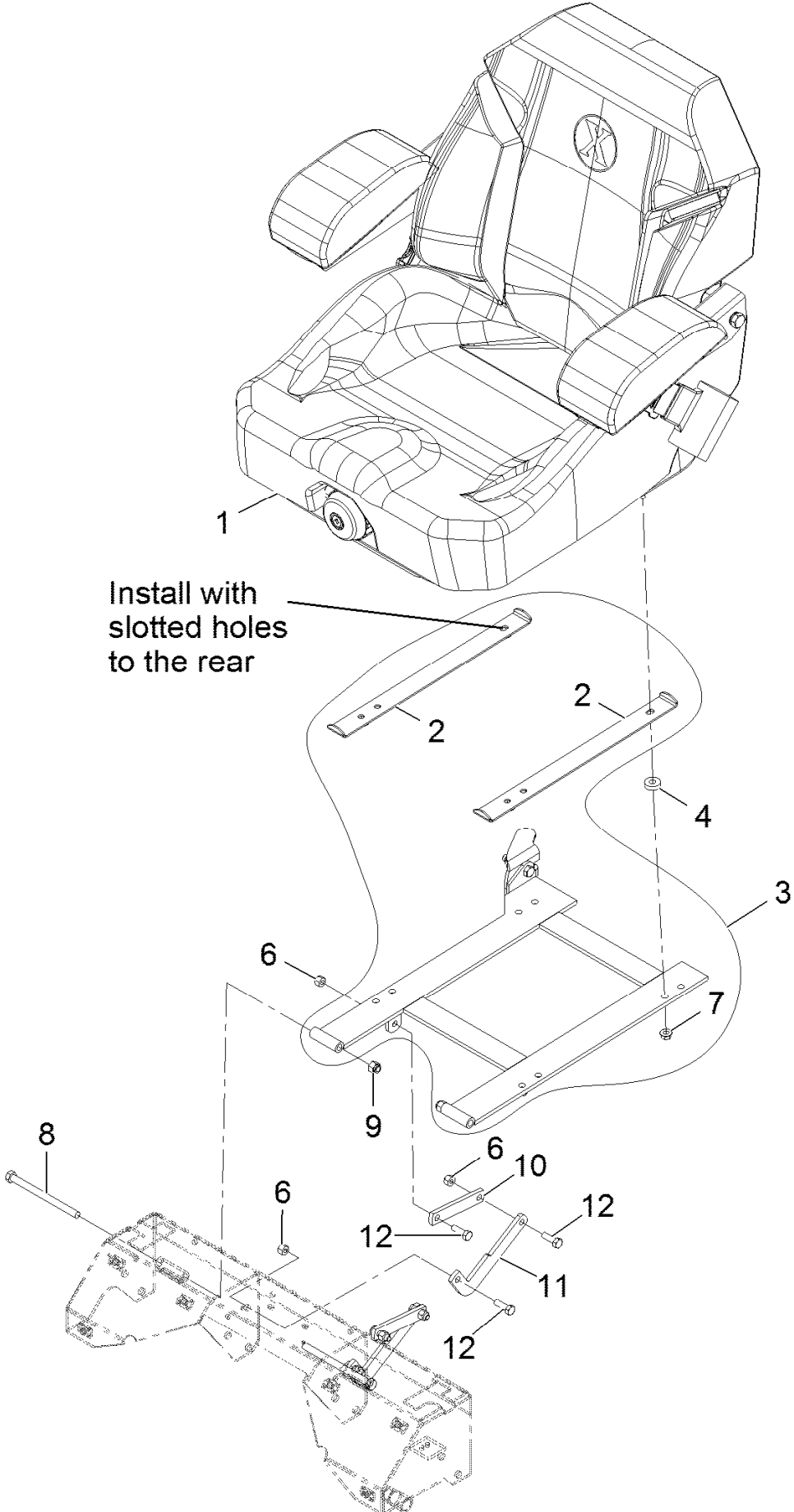




## Rear Wheel and Park Brake Assembly (continued)

<i>Ref.</i>	<i>Part Number</i>	<i>Qty.</i>	<i>Description</i>	<i>Ref.</i>	<i>Part Number</i>	<i>Qty.</i>	<i>Description</i>
1	1-513140	2	Bearing	20	3219-3	2	Nut-Hex 3/8-24
2	109-2230	2	Spring-Compression	21	103-5243-03	1	Shaft-Brake
3	103-0844-03	2	Brake-Narrow	22	3257-42	2	Key-Woodruff 5/16 X 1
4	103-0197	1	Brake Lever And Grip ASM	23	323-58	2	Bolt-HH 3/8-16 X 6 Tap
4:2	1-633268	1	Grip-Lever	24	103-0051	2	Spacer-Retainer, Brake
5	103-9761	2	Band, Brake	25	323-10	2	Screw-HH 3/8-16 X 2
6	116-1399	2	Locknut	26	1-808284	2	Pin-Clevis
7	1-633102	2	Bearing-Flanged	27	103-1117-03	2	Linkage-Brake, Lower
8	1-633144	2	Pin-Trunion	28	3296-39	4	Nut-Nyloc 3/8-16
9	116-2291	2	Hub W/Studs ASM	29	103-0384	6	Spacer
9:2	1-633926	4	Stud-Wheel	30	103-0374	2	Retainer-Band, Brake
10	323-4	2	Screw-HH 3/8-16 X 3/4	31	322-9	6	Screw-HH 5/16-18 X 1 3/4
11	325-17	8	Screw-HH 1/2-13 X 4	32	32151-48	1	E-Ring
12	32128-49	8	Nut-Whizlock 1/2-13	33	103-1708	1	Rod-Brake
13	3290-357	4	Nut-Whizlock 3/8-16	34	3218-3	2	Nut-Jam 3/8-16
14	3256-4	6	Washer-3/8 Std	35	103-2399	1	Pin-Clevis Spring 3/8
15	3272-10	4	Pin-Cotter 1/8 X 3/4	36	1-808285	1	Pin-Clevis 3/8 X 1 1/8
16	126-2055	2	Decal-Torque, Wheel Hub Lug	37	109-3157	2	Wheel And Tire ASM
17	1-633380	4	Spacer-Wheel, Short	37:1	109-3156	1	Rim
18	1-633382	4	Spacer-Wheel, Long	37:2	103-4963	1	Tire
19	1-633131	2	Yoke-Linkage, Brake	38	242-50	8	Nut-Lug 1/2-20

# Seat Assembly

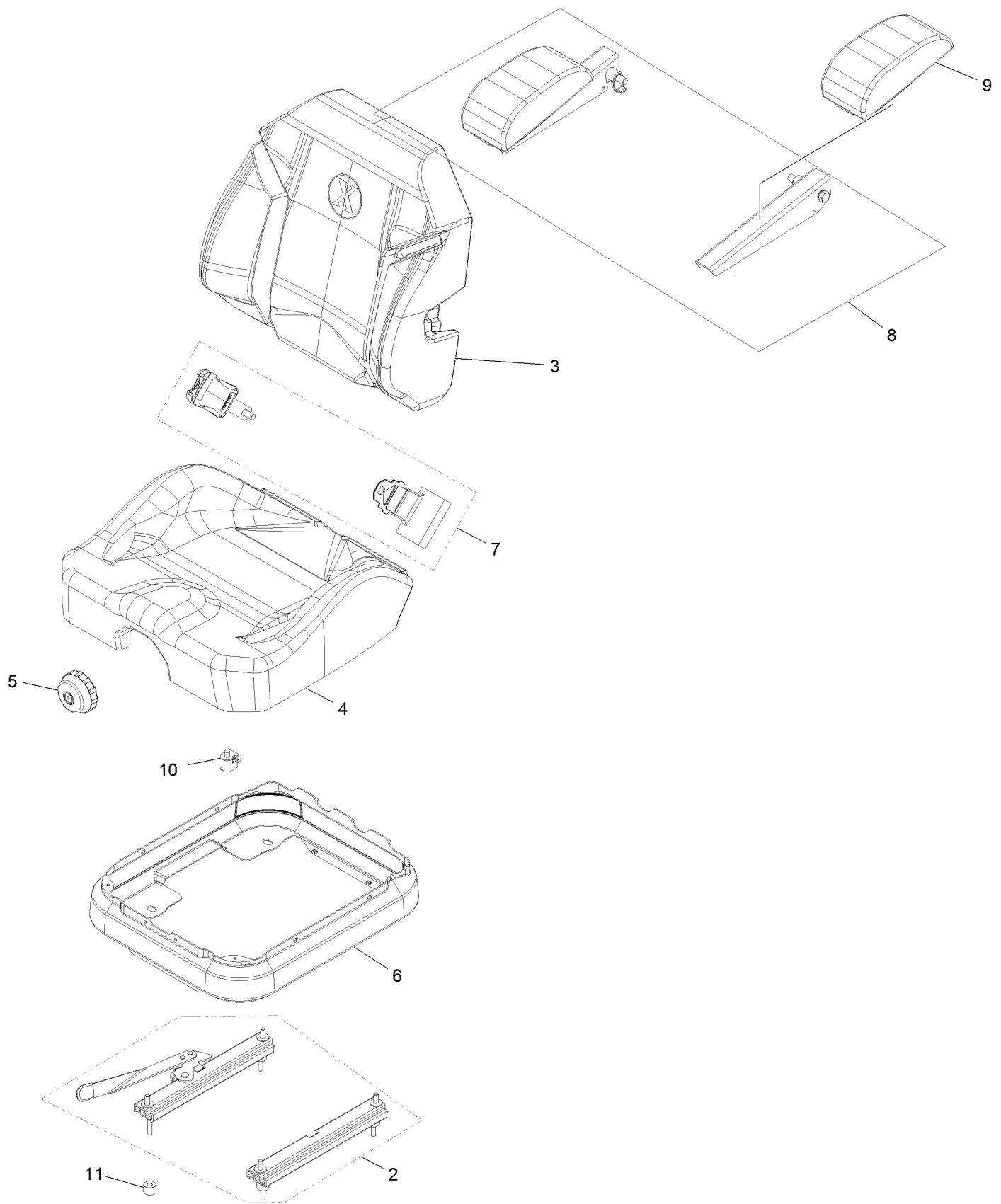


## Seat Assembly (continued)

<i>Ref.</i>	<i>Part Number</i>	<i>Qty.</i>	<i>Description</i>	<i>Ref.</i>	<i>Part Number</i>	<i>Qty.</i>	<i>Description</i>
1	116-8912	1	Kit-Suspension Seat	8	323-39	2	Screw-HH 3/8-16 X 5
2	1-653282-03	2	Stop/Spacer-Seat	9	3296-39	2	Nut-Nyloc 3/8-16
3	109-9228	1	Kit,Seat Frame Service ●	10	103-5161	2	Link-Stop, Seat
4	26-4840	4	Spacer-Pin, Mounting	11	109-2759	2	Link-Stop, Seat
6	3296-29	6	Nut-Nyloc 5/16-18	12	322-5	6	Screw-HH 5/16-18 X 1
7	32128-20	4	Nut-Whizlock 5/16-18				

● Includes seat belt assembly

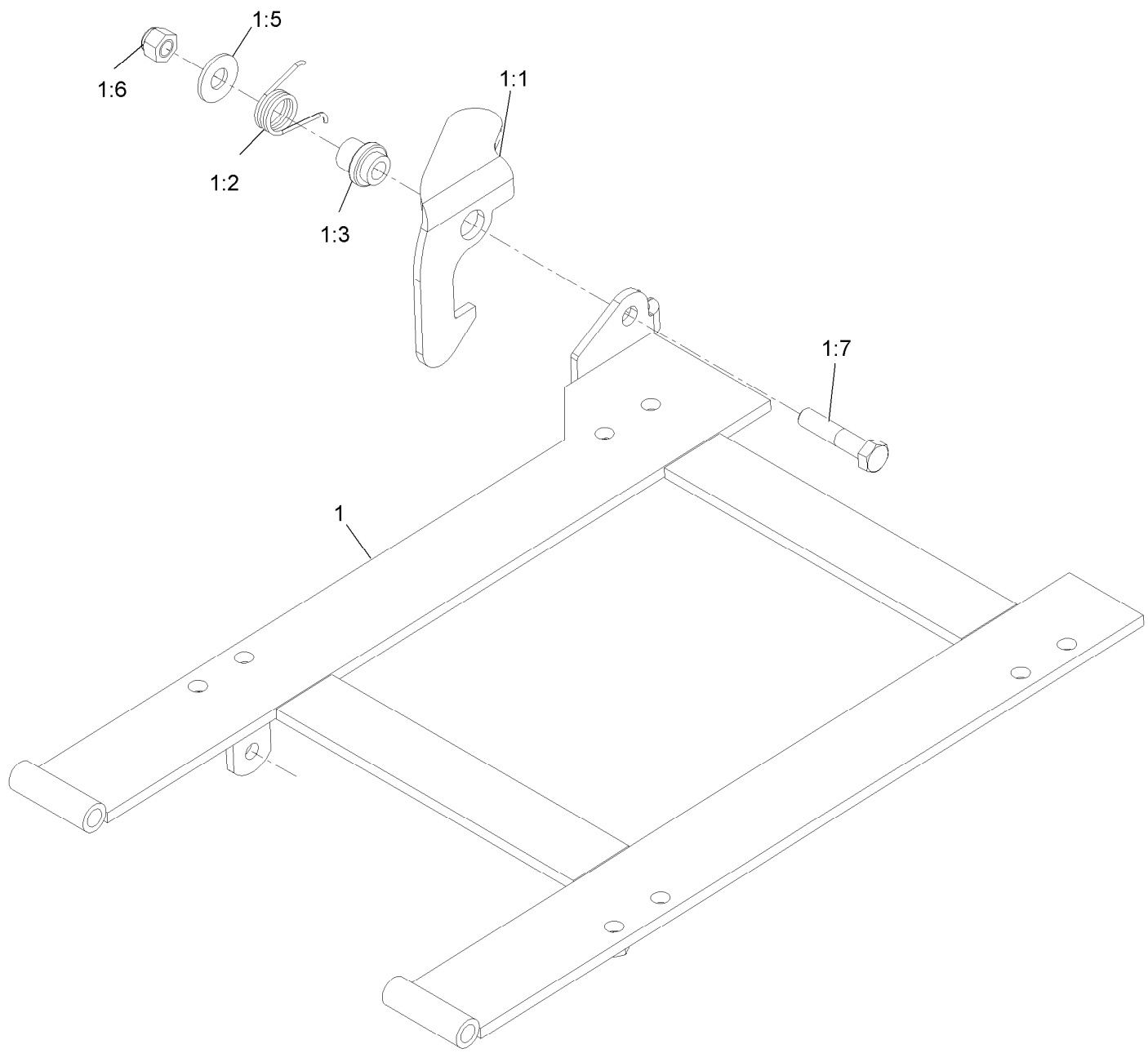
# Seat W/Tracks Assembly No. 116-8912



## Seat W/Tracks Assembly No. 116-8912 (continued)

<i>Ref.</i>	<i>Part Number</i>	<i>Qty.</i>	<i>Description</i>	<i>Ref.</i>	<i>Part Number</i>	<i>Qty.</i>	<i>Description</i>
2	116-8910	1	Seat Track Set	7	126-2061	1	Seat Belt Service Kit
3	116-8908	1	Cover-Back 311463Vn500	8	116-8906	1	Kit-Arm Rest Set
4	116-8909	1	Cover-Cushion 311464Vn500	9	116-8905	1	Kit-Arm Rest Pads
5	116-8911	1	Knob-Adjuster	10	82-2190	1	Switch-Bail
6	116-5659	1	Cover-Suspension Bellows	11	116-9329	4	Spacer

# Seat Frame Single Latch Assembly



## Seat Frame Single Latch Assembly (continued)

<i>Ref.</i>	<i>Part Number</i>	<i>Qty.</i>	<i>Description</i>	<i>Ref.</i>	<i>Part Number</i>	<i>Qty.</i>	<i>Description</i>
1		1	Seat Frame Single Latch ASM ●	1:3	107-0075	1	Bushing
1:1	103-5520	1	Catch-Latch, Single	1:5	3256-4	1	Washer-3/8 Std
1:2	103-5519	1	Spring-Torsion, Latch	1:6	3296-39	1	Nut-Nyloc 3/8-16
				1:7	323-9	1	Screw-HH 3/8-16 X 1 3/4

● Not serviced separately





## Fuel Assembly (continued)

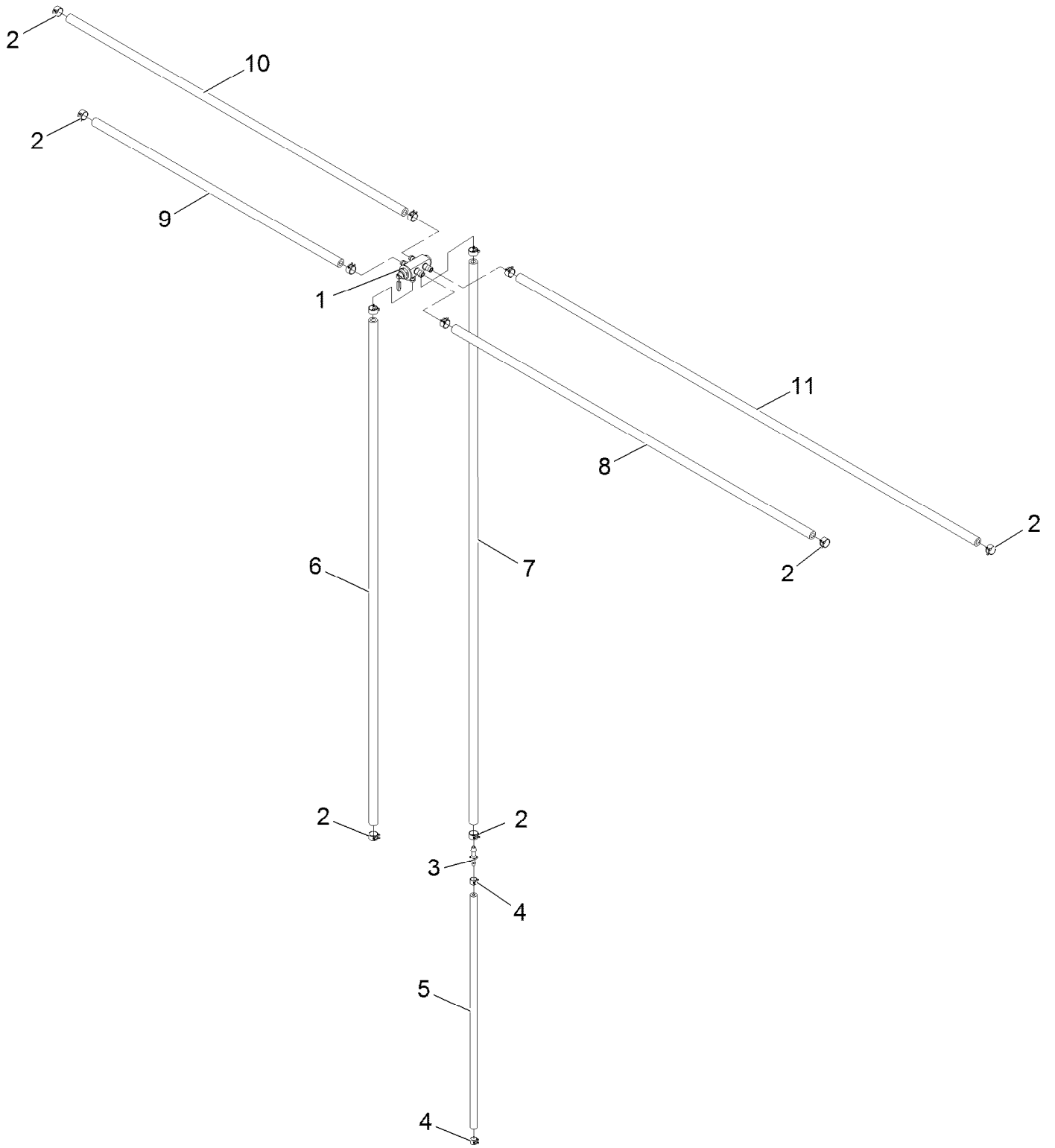
<i>Ref.</i>	<i>Part Number</i>	<i>Qty.</i>	<i>Description</i>	<i>Ref.</i>	<i>Part Number</i>	<i>Qty.</i>	<i>Description</i>
2	1-633349	6	Spring-Compression	28:3	114-5062	1	Cap-Biodiesel
3	1-643115	4	Tie-Cable 11.4	29	116-0142	1	ASM, Fuel Tank Lxs RH
4	1-643312	1	Clip-Loom	29:1	1-633023	3	Stud-Fuel Tank ▲
5	1-805005	4	Washer-Lock 5/16 Heavy	29:2	114-5062	1	Cap-Biodiesel
6	1-807513	2	Bolt-Carriage #10-24 X 1/2	31	321-3	1	Screw-HH 1/4-20 X 5/8
7	1-807533	1	Bolt-Carriage #10-24 X 5/8	32	321-8	1	Screw-HH 1/4-20 X 1 1/4
8	103-1193	1	Clip-Loom Half	33	322-3	4	Screw-HH 5/16-18 X 3/4
9	104-8300	2	Nut-Nyloc 5/16-18 Flg	34	322-4	3	Screw-HH 5/16-18 X 7/8
11	108-5928	1	Swivel-Stop, Cable	35	353-707	2	Adapter-90°
12	109-0274	1	Hose-Fuel Line 16"	36	2412-108	5	Clamp-Hose
14	109-6652	1	Cable, Throttle	38	3220-1	2	Nut-Jam 1/4-28
15	110-0047	1	Hose-Fuel Line 2 3/8"	39	3256-14	1	Washer-#10 Std
17	110-4104	1	Hose-Fuel Line 11"	40	3256-23	13	Washer-5/16 Sae
21	110-8806	1	Pump-Fuel	41	3296-2	3	Nut-Nyloc #10-24
22	110-8817	1	Bracket-Pump, Fuel	42	3296-47	6	Nut-Nyloc 5/16-18 Thin
24	112-7836	1	Filter-Inline	43	32128-20	1	Nut-Whizlock 5/16-18
26	116-0290	1	ASM,Fuel Filter	44	32128-33	2	Nut-Whizlock 1/4-20
26:2	116-0289	1	Filter,Fuel	45	92-2379	2	Clamp-Hose
26:3	116-1559	2	Decal,Exmark Filter	46	103-6564	1	Kit-Fuel Gauge
27		1	ASM, Fuel Valve-Hoses ●	47	116-0968	1	Fitting,Fuel Bulkhead W/O Screen ■
28	116-0141	1	ASM,Fuel Tank Lxs LH	48	103-2784	1	O-Ring
28:1	1-633023	3	Stud-Fuel Tank ▲				

● Not serviced separately

■ Use Pro-Lock, Nut Type (P/N 1-840022, .5ml tube) on threads.

▲ Use Pro-Lock retaining type, Part no. 1-840023 (.5cc tube) on threads.

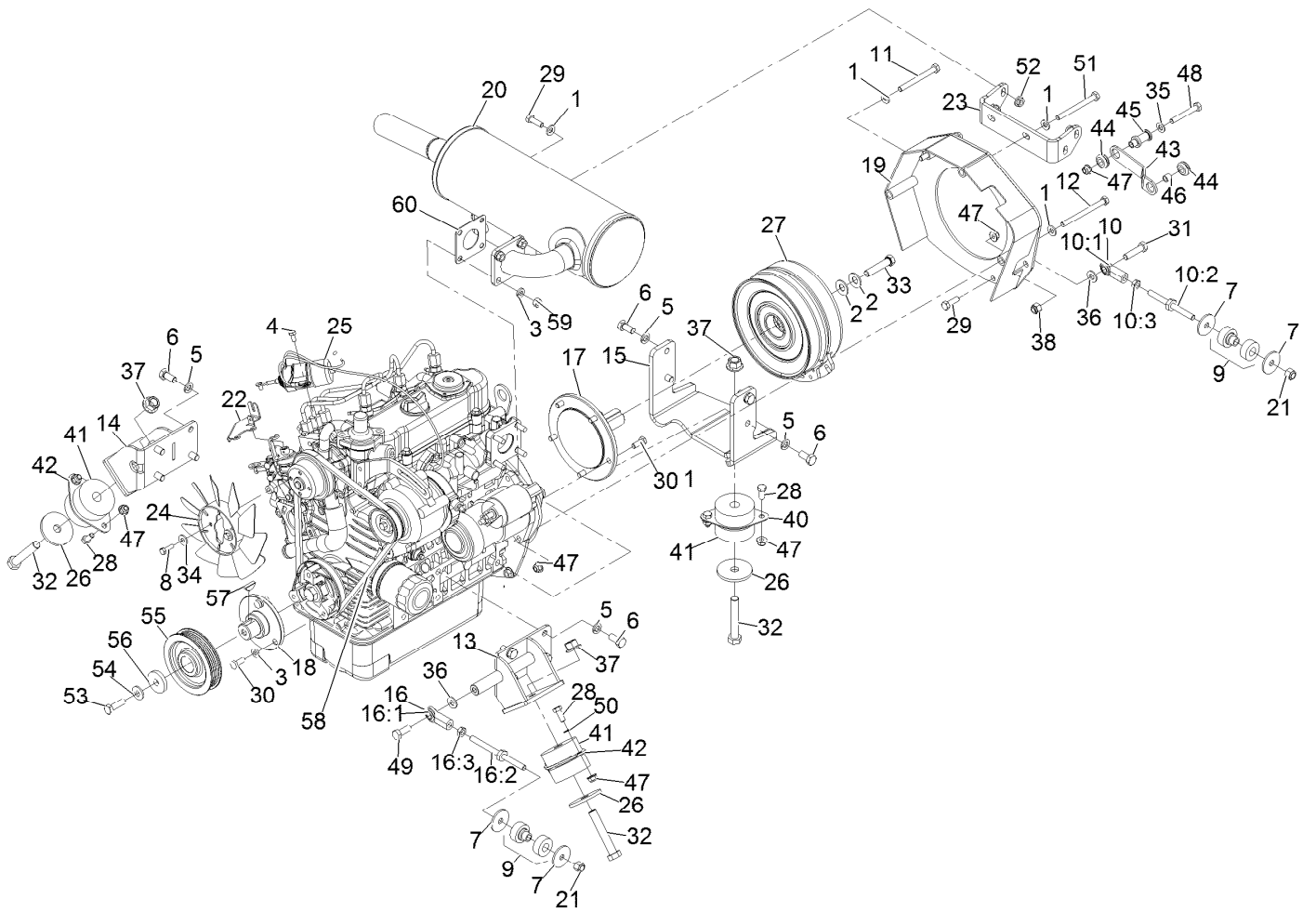
# Fuel Valve Hose Assembly



## Fuel Valve Hose Assembly (continued)

<i>Ref.</i>	<i>Part Number</i>	<i>Qty.</i>	<i>Description</i>	<i>Ref.</i>	<i>Part Number</i>	<i>Qty.</i>	<i>Description</i>
1	116-0973	1	Valve,Fuel Selector 5/16	7	110-4100	1	Hose-Fuel
2	92-2379	12	Clamp-Hose	8	115-2370	1	Hose-Fuel
3	121-2573	1	Fitting-Straight	9	108-3284	1	Hose-Fuel
4	2412-80	2	Clamp-Hose	10	110-6186	1	Hose-Fuel
5	68-3633	1	Hose-Fuel	11	109-0277	1	Hose-Fuel
6	110-4114	1	Hose-Fuel				

# Engine Assembly

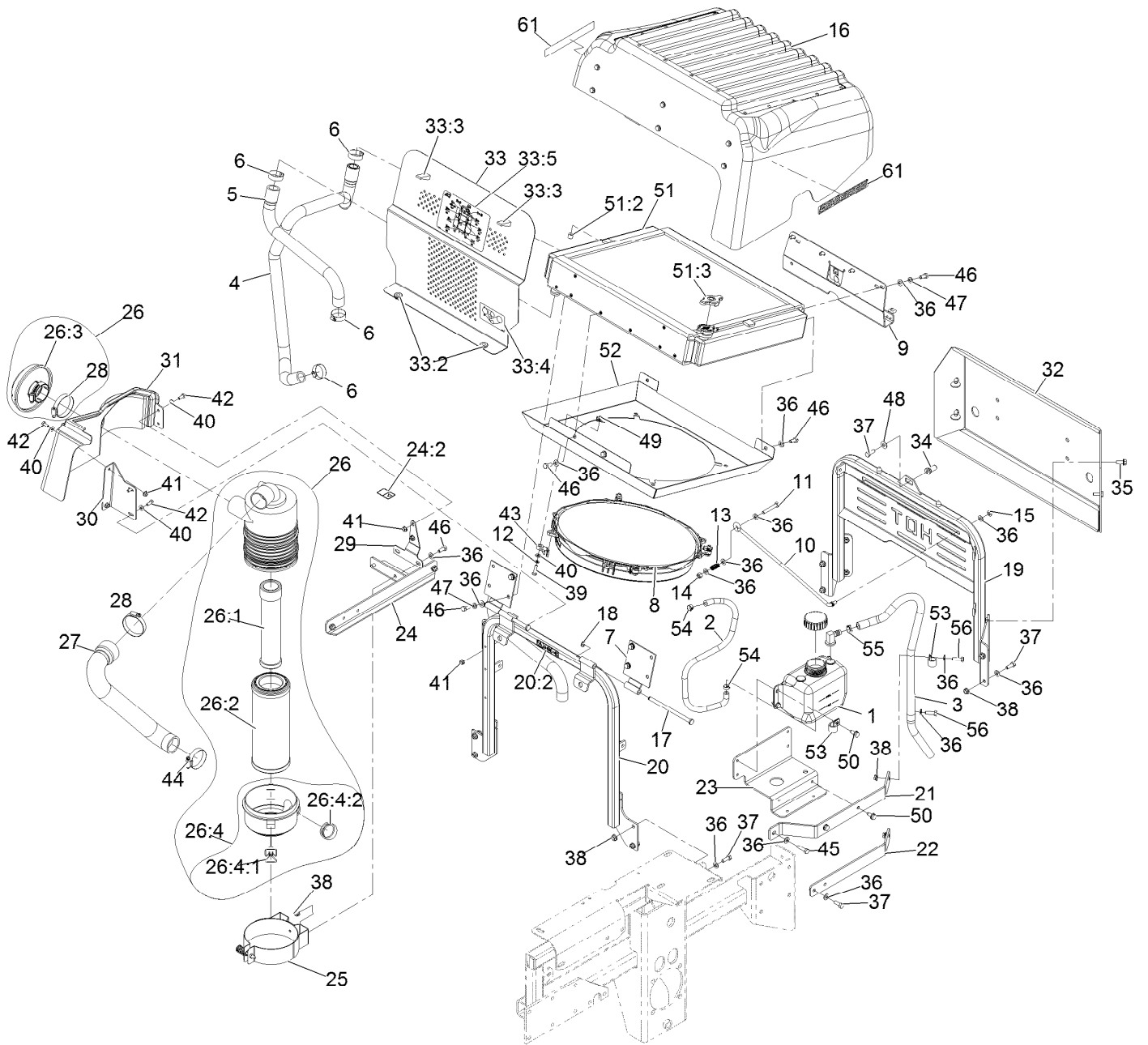


## Engine Assembly (continued)

<i>Ref.</i>	<i>Part Number</i>	<i>Qty.</i>	<i>Description</i>	<i>Ref.</i>	<i>Part Number</i>	<i>Qty.</i>	<i>Description</i>
1	1-303334	8	Washer-Spring Disc 5/16	28	322-3	6	Screw-HH 5/16-18 X 3/4
2	1-603610	2	Washer-Spring Disc 7/16	29	322-5	5	Screw-HH 5/16-18 X 1
3	1-805005	7	Washer-Lock 5/16 Heavy	30	33114-020	8	Screw-HH M8-1.25 X 20Mm
4	33113-012	2	Screw-HH M6-1 X 12Mm	31	323-8	1	Screw-HH 3/8-16 X 1 1/2
5	42-9600	12	Washer-Lock M10	32	325-12	3	Screw-HH 1/2-13 X 3
6	63-7790	12	Screw-HH M10-1.25 X 1.25Mm	33	3212-8	1	Screw-HH 7/16-20 X 2 ●
7	93-6099	4	Washer	34	3256-2	2	Washer-1/4 Std
8	33113-020	2	Screw-HH M6-1 X 12Mm	35	3256-23	1	Washer-5/16 Sae
9	103-3568	2	Isolator-Link	36	3256-24	2	Washer-3/8 Sae
10	103-3745	1	Ball Joint Link ASM	37	99-5107	3	Nut-Lock 1/2-13
10:1	103-0608	1	Balljoint	38	3296-39	1	Nut-Nyloc 3/8-16
10:2	103-3567	1	Link, A-T	40	116-2641-03	1	Flange ASM
10:3	3220-3	1	Nut-Jam 3/8-24	41	116-4433	3	Isolator,Engine
11	33114-080	1	Screw-HH M8-1.25 X 80Mm	42	116-2725-03	2	Flange-11GA
12	322-23	1	Screw-HH 5/16-18 X 3 3/4	43	116-5296-03	1	Clutch Link
13	116-4514-03	1	Engine Mount-LH	44	1-633630	2	Grommet
14	116-4513-03	1	Engine Mount-RH	45	116-5295	1	Clutch Standoff
15	116-2638-03	1	Bracket,Engine Mount	46	1-633545	1	Spacer
16	109-8528	1	Asm, A-T Link	47	104-8300	9	Nut-Nyloc 5/16-18 Flg
16:1	103-0608	1	Balljoint	48	322-11	1	Screw-HH 5/16-18 X 2 1/4
16:2	103-7544	1	Link, Rear A-T Axial	49	3235-22	1	Screw-HH, Lock
16:3	3220-3	1	Nut-Jam 3/8-24	50	3255-8	1	Washer-Lock 5/16 (Ext-Tooth)
17	109-9873	1	Shaft,Kubota 902 Stub	51	119-4866	2	Screw-HH ●
18	103-7556	1	Hub, Pump Drive	52	32128-20	4	Nut-Whizlock 5/16-18
19	116-5089-03	1	Wld,Flywheel Cover	53	323-7	1	Screw-HH 3/8-16 X 1 1/4
20	116-7108	1	Muffler Kit - Kubota	54	98-5975	1	Washer-Spring Disc 3/8
21	3296-6	2	Nut-Nyloc 3/8-24	55	103-4718	1	Sheave, Engine
22	126-0723	1	Bracket, Kd Throttle	56	1-543610	1	Washer
23	116-6179-03	1	Support-Muffler	57	1-807014	1	Key-Woodruff 1/4 X 7/8
24	109-0789	1	Fan	58	109-2901	1	Belt
25	109-1211	1	Solenoid, Fuel.	59	33014-00	4	Nut-Hex M8-1.25
26	116-5142	3	Washer	60	99-8343	1	Gasket-Muffler
27	116-1610	1	Clutch, Cms250 Kd				

● Use Pro-Lock, Nut Type (P/N 1-840022, .5ml tube) on threads.

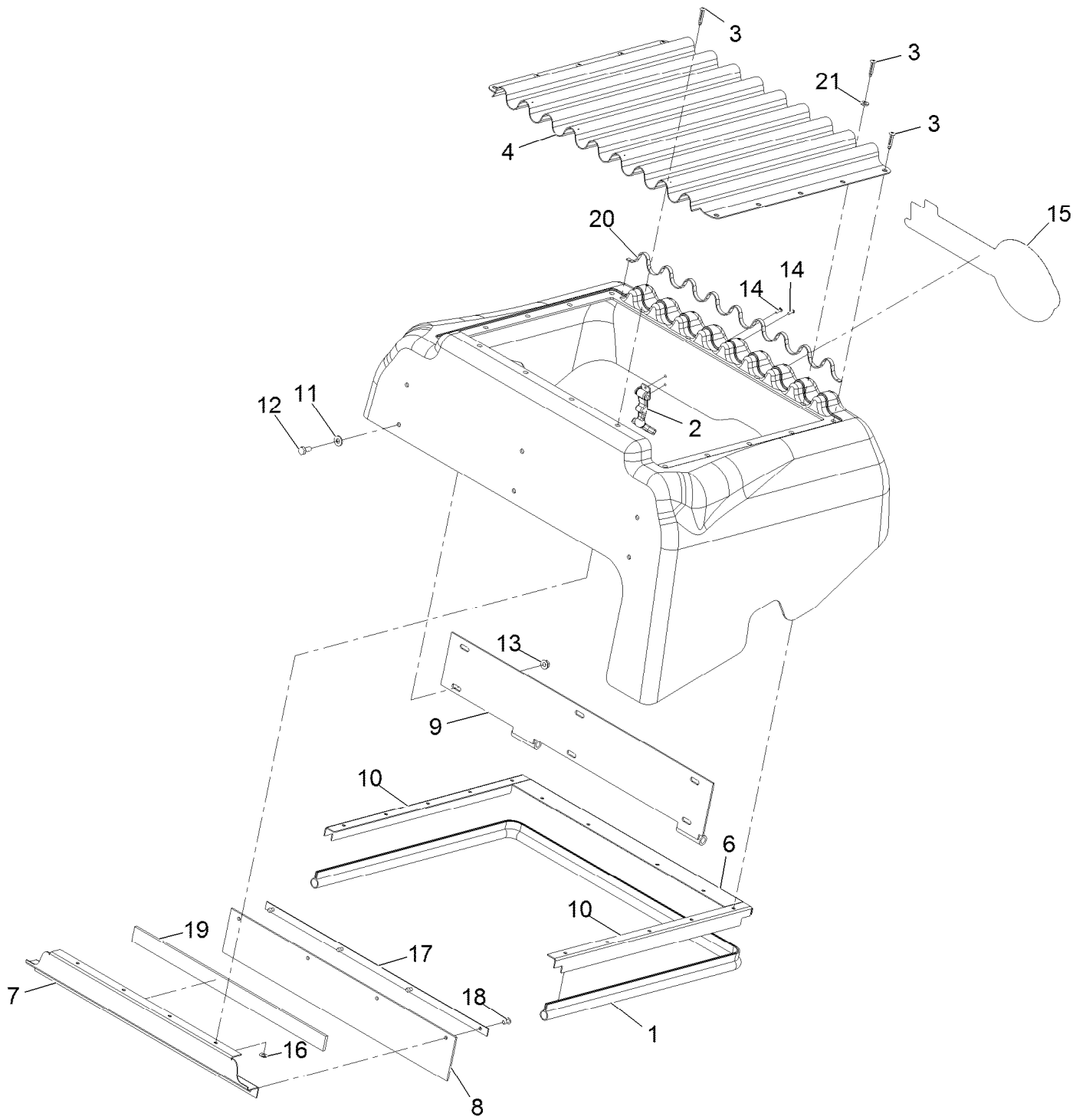
# Cooling Assembly



## Cooling Assembly (continued)

<i>Ref.</i>	<i>Part Number</i>	<i>Qty.</i>	<i>Description</i>	<i>Ref.</i>	<i>Part Number</i>	<i>Qty.</i>	<i>Description</i>
1	116-7124	1	Tank, Overflow W/Cap	27	103-7597	1	Hose, Air Intake
2	116-7204	1	Hose, .313 I.D.X 25.0 Reinforced Epdm	28	2412-42	1	Clamp-Hose
3	116-7245	1	Hose, .500 I.D. X 30" Epdm	29	103-9222-03	1	Bracket, Rear Cover
4	109-3142	1	Hose, Radiator	30	103-9206-03	1	Bracket, Front Cover
5	103-7532	1	Hose, Radiator	31	103-9221	1	Panel, Side
6	2412-34	4	Clamp-Hose	32	103-1479-03	1	Bumper, Rear
7	109-3179-03	2	Wld, Hinge Plate	33	116-0136	1	ASM,Panel W/ Decals Lxs Lc Kd
8	116-6274	1	Fan- Electric	33:2	109-0023	2	Grommet
9	109-8427	1	ASM-Latch Plate	33:3	74-5950	2	Latch
10	103-9207	1	Rod, Prop	33:4	126-4760	1	Decal-Belt Pump Routing
11	322-10	1	Screw-HH 5/16-18 X 2	33:5	126-4761	1	Decal-Service Aid
12	3253-3	4	Washer-Lock 1/4	34	109-8432	1	Pin, Latch
13	103-6643	1	Spring	35	3234-47	4	Screw-HH Flg 5/16-18 X 3/4
14	3296-29	1	Nut-Nyloc 5/16-18	36	3256-23	32	Washer-5/16 Sae
15	109-0917	1	Nut-Push 5/16	37	322-4	12	Screw-HH 5/16-18 X 7/8
16	116-6394	1	Hood ASM, D902	38	32128-20	16	Nut-Whizlock 5/16-18
17	103-9218	2	Pin, Cover Pivot	39	321-6	4	Screw-HH 1/4-20 X 1
18	32120-18	2	E-Ring	40	3256-22	10	Washer-1/4 Sae
19	109-8546-03	1	Wld, Rear Radiator Mount	41	32128-33	6	Nut-Whizlock 1/4-20
20	109-2804	1	Asm, Front Radiator Mount (103-7582-03) W/Decals	42	321-3	6	Screw-HH 1/4-20 X 5/8
20:2	119-0217	1	Decal-Danger	43	109-2950	4	Mount, Fan
21	103-7558-03	1	Rib, Top	44	1-643009	1	Clamp-Hose
22	103-7579-03	1	Rib, Bottom	45	322-6	1	Screw-HH 5/16-18 X 1 1/4
23	116-4822-03	1	Bracket, Bottle-Hydro Tank	46	322-3	14	Screw-HH 5/16-18 X 3/4
24	109-3257	1	Asm, Air Cleaner Brkt W/Decals	47	3253-4	8	Washer-Lock 5/16
24:2	106-5517	1	Decal-Warning, Hot Surface	48	1-303334	1	Washer-Spring Disc 5/16
25	103-1058	1	Bracket-Filter, Air	49	107069	4	Nut-Retainer-Panel 1/4-20
26	103-5178	1	Asm-Canister Air Filter W/Hood	50	32144-70	6	Screw-HWH 5/16-18 X 3/4 Tf
26:1	103-1326	1	Filter-Air, Safety	51	116-5303	1	Radiator ASM, AI D902
26:2	103-1327	1	Filter-Air	51:2	99-8551	1	Plug-Pipe
26:3	100-2436	1	Asm-Hood Air Intake W/Clamp	51:3	1-643161	1	Cap-Radiator
26:4	103-1060	1	Cover-Filter, Air	52	116-6296-03	1	Fan Shroud,16
26:4:1	99-3174	2	Clip-Cleaner, Air	53	1-633396	3	Clip-Loom 5/8
26:4:2	109-2820	1	Ejector-Air Cleaner	54	92-2379	2	Clamp-Hose
				55	110-6242	1	Clamp-Hose
				56	322-5	2	Screw-HH 5/16-18 X 1
				61	126-6882	2	Decal, Ds Series

# Hood Assembly

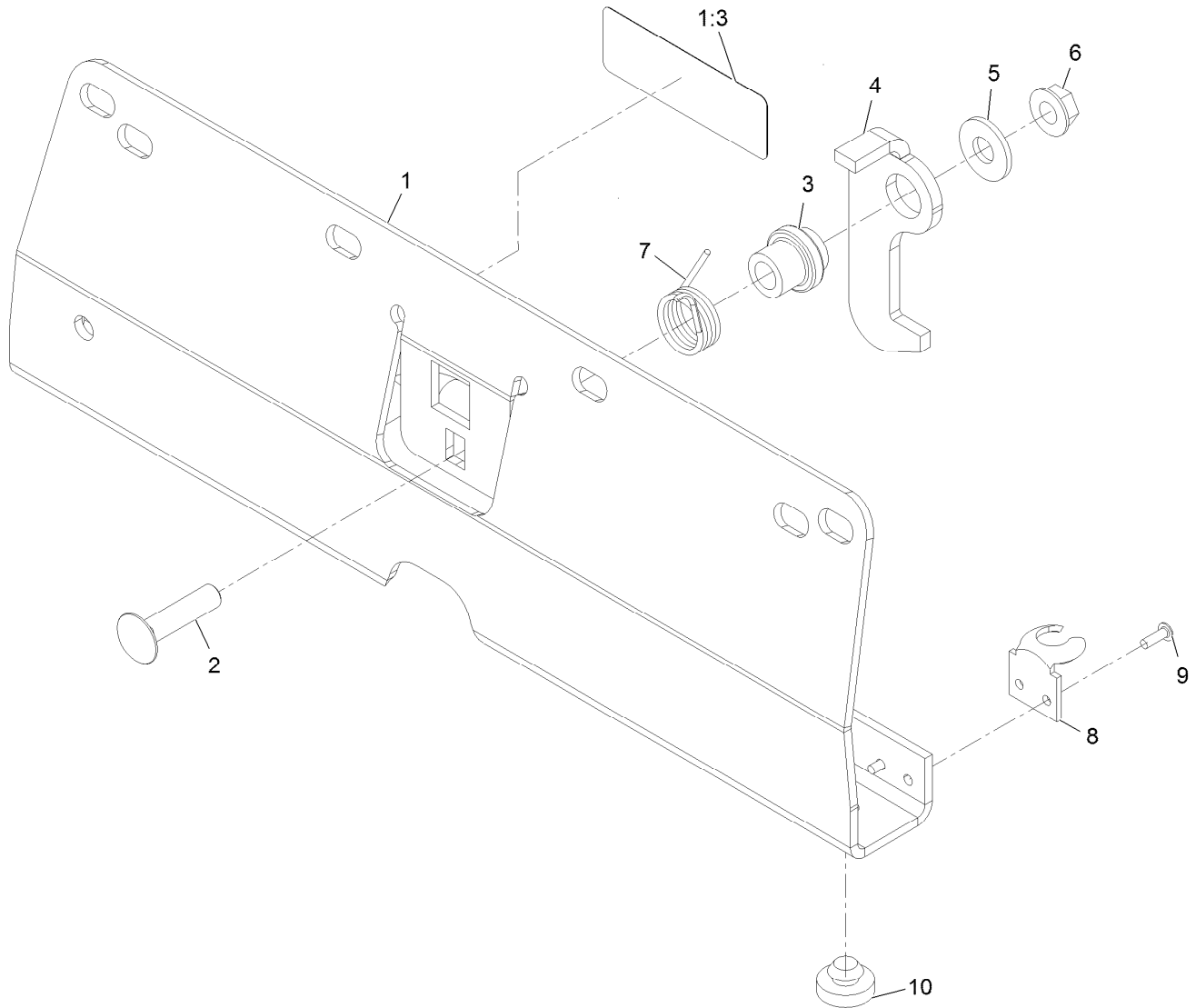




## Hood Assembly (continued)

<i>Ref.</i>	<i>Part Number</i>	<i>Qty.</i>	<i>Description</i>	<i>Ref.</i>	<i>Part Number</i>	<i>Qty.</i>	<i>Description</i>
1	116-5325	1	Seal-Trim 54.6	12	321-3	6	Screw-HH 1/4-20 X 5/8
2	1-643188	2	Latch-Rubber	13	32128-33	6	Nut-Whizlock 1/4-20
3	1-803072	18	Rivet	14	923786	4	Rivet
4	103-9201-03	1	Screen, Radiator	15	126-6992	1	Decal-Exmark
6	116-5323-03	1	Mount-Seal Rear	16	1-303435	4	Washer-Spring Disc 1/4
7	116-5302-03	1	Mount-Seal Front	17	116-5319-03	1	Plate-Seal Backup
8	116-5160	1	Seal-Radiator Hood	18	1-803073	4	Rivet-Pop
9	103-9226-03	1	Wld, Hinge	19	116-5348	1	Seal-Front Screen
10	116-5324-03	2	Mount-Seal Side	20	116-5349	1	Seal-Rear Screen
11	3256-22	6	Washer-1/4 Sae	21	3256-14	4	Washer-#10 Std

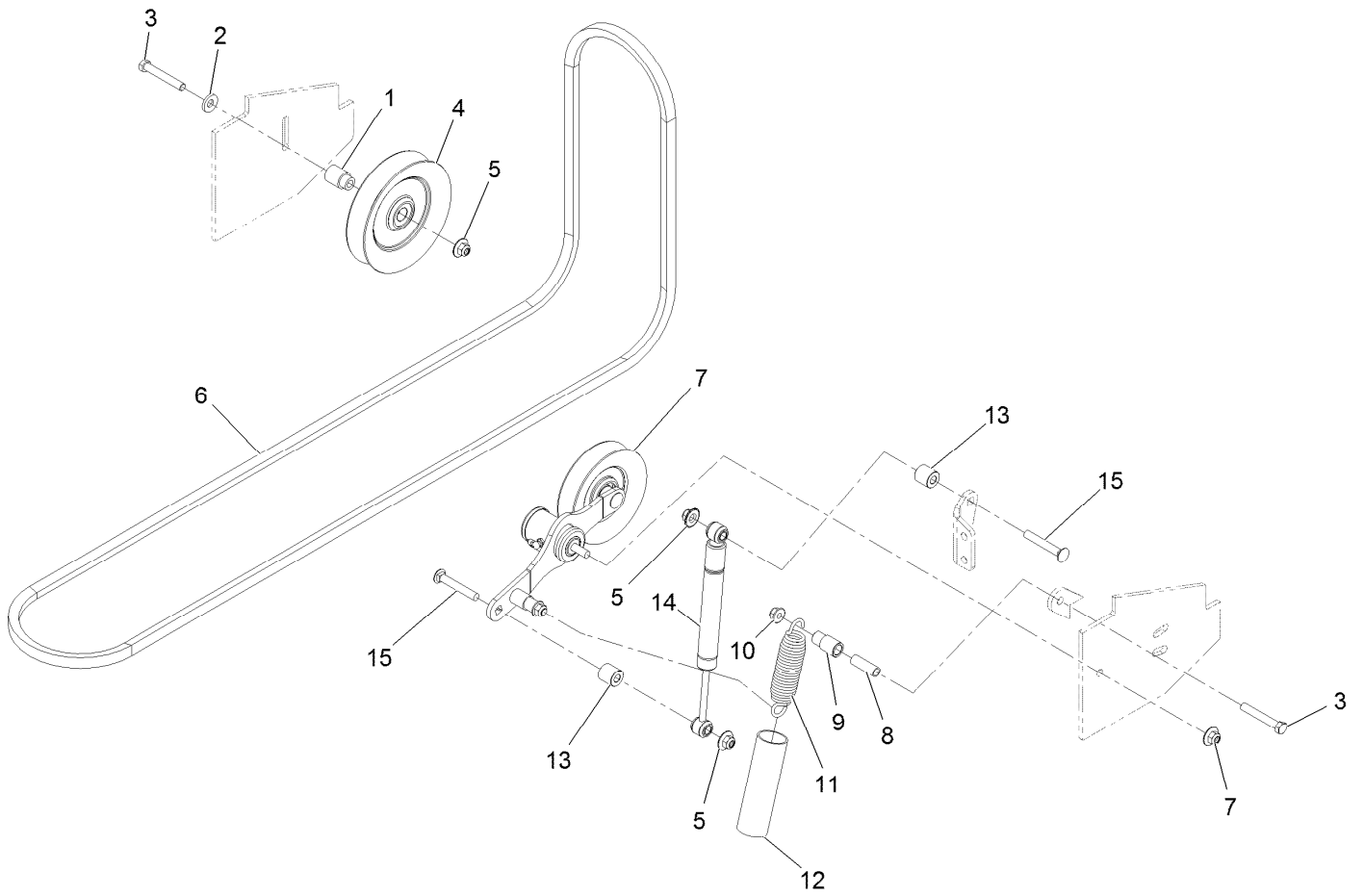
# Latch Plate Assembly No. 109-8427



## Latch Plate Assembly No. 109-8427 (continued)

<i>Ref.</i>	<i>Part Number</i>	<i>Qty.</i>	<i>Description</i>	<i>Ref.</i>	<i>Part Number</i>	<i>Qty.</i>	<i>Description</i>
1	109-8539	1	Asm, Latch Plate W/Decals	5	3256-3	1	Washer-5/16 Std
1:3	120-0625	1	Decal-Warning, Pinch Point	6	32128-25	1	Nut-Hex 5/16-18 Side Lock
2	112-6950	1	Bolt-Carriage 5/16-18 X 1 3/8 Short Neck	7	109-8430	1	Spring
3	107-0075	1	Bushing	8	249-40	2	Keeper
4	109-8431	1	Hook, Latch	9	923786	4	Rivet
				10	1-513658	2	Bumper

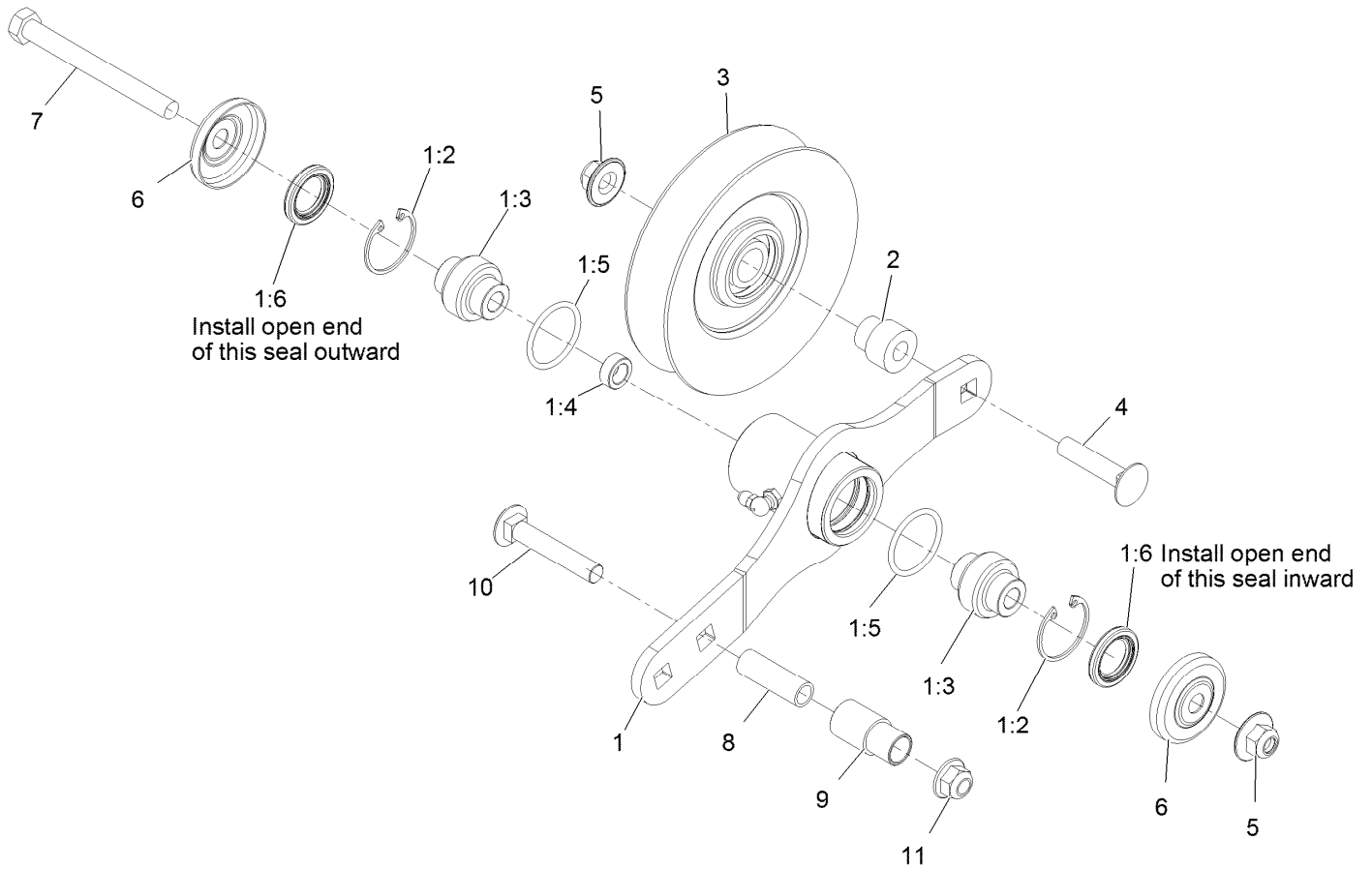
# Mule Drive Assembly



## Mule Drive Assembly (continued)

<i>Ref.</i>	<i>Part Number</i>	<i>Qty.</i>	<i>Description</i>	<i>Ref.</i>	<i>Part Number</i>	<i>Qty.</i>	<i>Description</i>
1	103-2627	1	Bushing-Idler	9	109-8866	1	Bushing, Plastic
2	98-5975	1	Washer-Spring Disc 3/8	10	104-8301	1	Nut-Nyloc 3/8-16 Flg
3	323-12	2	Screw-HH 3/8-16 X 2 1/2	11	116-6316	1	Spring-Extension
4	1-633166	1	Pulley-Idler	12	116-0932	1	Dampener, Spring
5	109-6658	3	Nut-Nyloc 3/8-16 Flg	13	116-9300	2	Spacer-.39Idx.88Odx.88L
6	109-4199	1	Belt, Mule Drive	14	116-9280	1	Damper-Mule Belt Drive
7	116-9286	1	ASM-Ttnr Arm W/Pulley	15	3231-31	2	Bolt-Carriage 3/8-16 X 2 1/2
8	109-8754	1	Spacer				

# Tightener Arm W/Pulley Assembly No. 116-9286

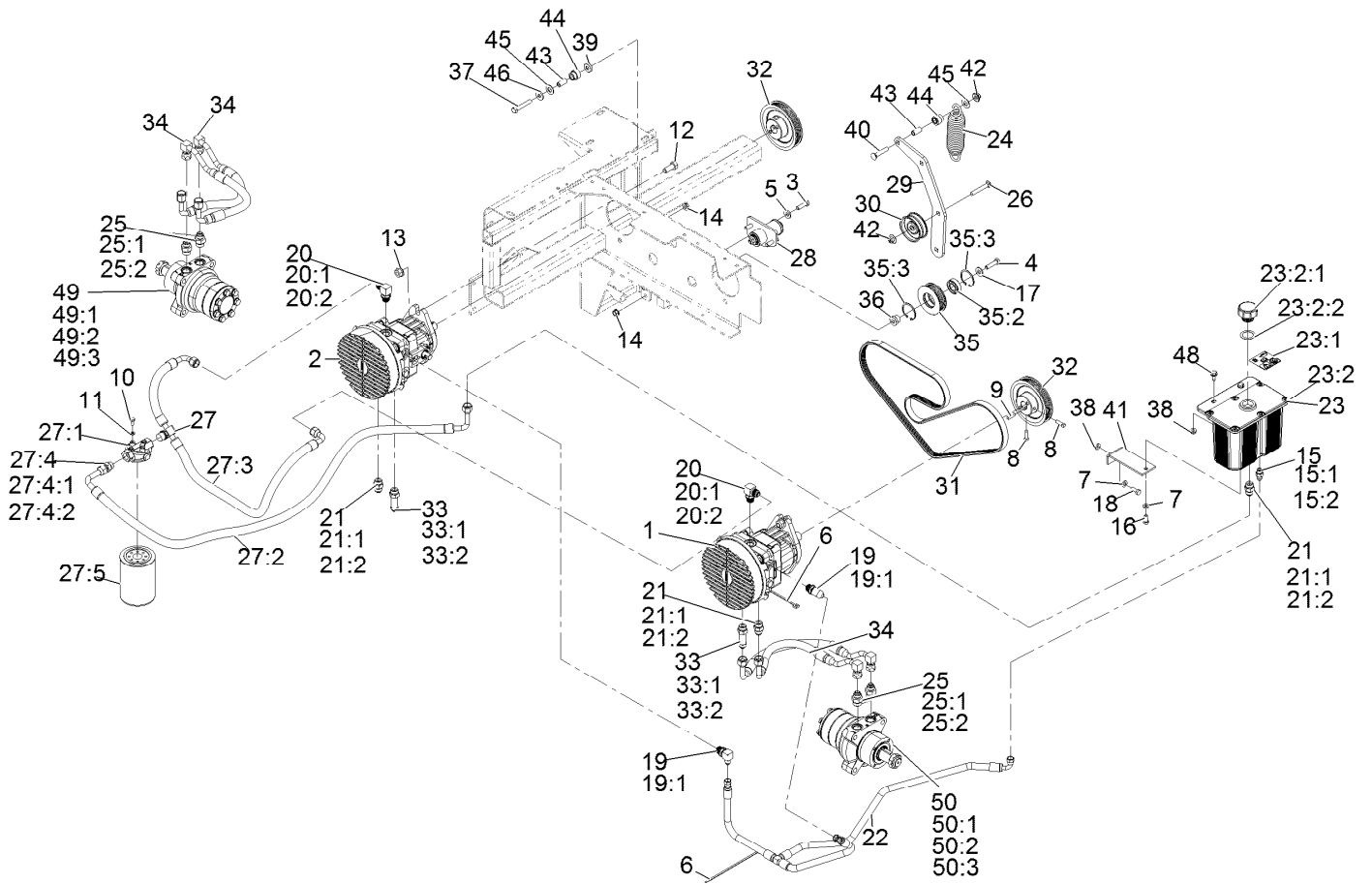


# Tightener Arm W/Pulley Assembly No. 116-9286 (continued)

<i>Ref.</i>	<i>Part Number</i>	<i>Qty.</i>	<i>Description</i>	<i>Ref.</i>	<i>Part Number</i>	<i>Qty.</i>	<i>Description</i>
1		1	ASM-Ttnr Arm W/Bearings ●	4	3231-5	1	Bolt-Carriage 3/8-16 X 1 3/4
1:2	32120-10	2	Ring-Retaining	5	109-6658	2	Nut-Nyloc 3/8-16 Flg
1:3	103-3504	2	Bearing-Spherical	6	103-2916	2	Guard-Top
1:4	103-5677	1	Spacer	7	323-42	1	Screw-HH 3/8-16 X 3 3/4
1:5	106-7159	2	O-Ring	8	109-8754	1	Spacer
1:6	103-3506	2	Seal-Single Lip	9	109-8866	1	Bushing, Plastic
2	1-603496	1	Bushing-Idler	10	3231-7	1	Bolt-Carriage 3/8-16 X 2 1/4
3	1-603805	1	Pulley-Idler	11	104-8301	1	Nut-Nyloc 3/8-16 Flg

● Not serviced separately

# Hydraulic Assembly



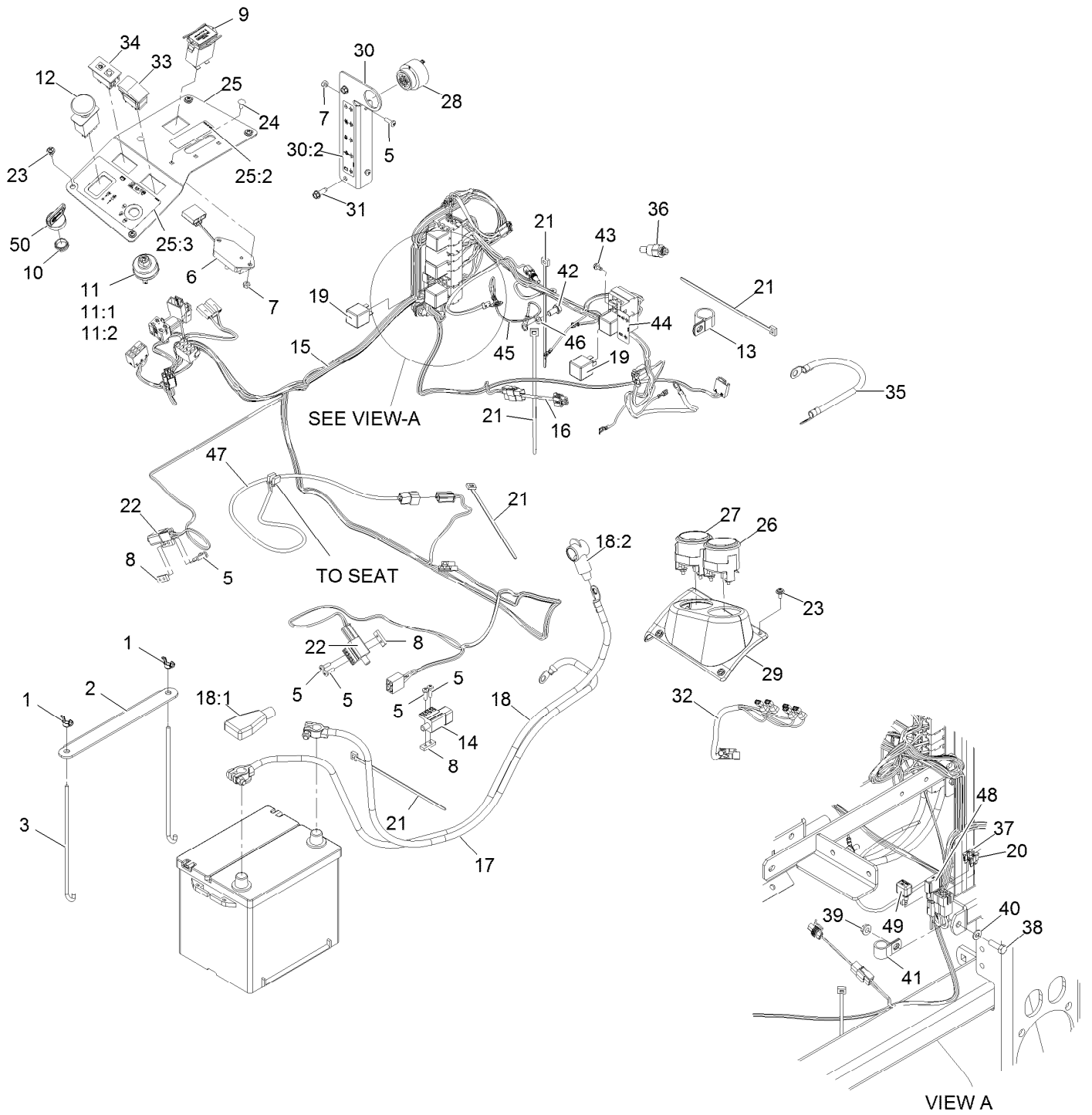


## Hydraulic Assembly (continued)

<i>Ref.</i>	<i>Part Number</i>	<i>Qty.</i>	<i>Description</i>	<i>Ref.</i>	<i>Part Number</i>	<i>Qty.</i>	<i>Description</i>
1	109-7543	1	Pump, Hydro	27:2	109-6904	1	Asm, Filter Inlet Hose
2	109-7544	1	Pump, Hydro	27:3	109-6903	1	Hose, Pump Inlet
3	323-7	3	Screw-HH 3/8-16 X 1 1/4	27:4	1-603990	1	Adapter-Straight
4	323-8	1	Screw-HH 3/8-16 X 1 1/2	27:4:1	1-603920	1	O-Ring-Sae #8
5	98-5975	3	Washer-Spring Disc 3/8	27:4:2	1-603992	1	O-Ring-37 Flare #8
6	1-303335	2	Tie-Cable 7 15/16 (Large)	27:5	103-2146	1	Element-Hydraulic Oil Filter
7	3256-23	2	Washer-5/16 Sae	28	109-3250	1	Asm, Pump Idler W/Bearings
8	30-1710	4	Setscrew-5/16-18 X 1	29	103-7569-03	1	Arm, Pump Idler
9	1-807259	2	Key-Machine 1/4 X 1/4 X 1	30	116-0888	1	Idler, Flanged
10	321-3	2	Screw-HH 1/4-20 X 5/8	31	109-7582	1	Belt, Hydro Pump Drive
11	1-805004	2	Washer-Lock 1/4 Heavy	32	109-7561	2	Sheave, Hydro Pump
12	325-5	4	Screw-HH 1/2-13 X 1 1/4	33	103-1940	2	Adapter-Straight
13	32128-49	4	Nut-Whizlock 1/2-13	33:1	237-79	1	O-Ring
14	3290-357	4	Nut-Whizlock 3/8-16	33:2	1-603992	1	O-Ring-37 Flare #8
15	103-2156	1	Adapter-Straight	34	103-4680	4	HYD Hose ASM
15:1	1-603921	1	O-Ring-Sae #6	35	103-4728	1	Asm, Lower Frame Idler
15:2	103-1020	1	O-Ring-37 Flare #6	35:2	251-347	1	Bearing-Ball Deep Groove
16	322-3	1	Screw-HH 5/16-18 X 3/4	35:3	32151-13	2	Ring-Retaining
17	3256-4	1	Washer-3/8 Std	36	103-4566	1	Spacer, Lower Frame Idler
18	322-4	1	Screw-HH 5/16-18 X 7/8	37	323-11	1	Screw-HH 3/8-16 X 2 1/4
19	103-1014	2	Elbow-90°	38	32128-20	3	Nut-Whizlock 5/16-18
19:1	1-603920	1	O-Ring-Sae #8	39	103-3186	1	Spacer-Bracket, Guide
20	103-2153	2	Elbow-90°	40	3231-6	1	Bolt-Carriage 3/8-16 X 2
20:1	1-603920	1	O-Ring-Sae #8	41	109-0089-03	1	Bracket, Hydraulic Tank
20:2	1-603992	1	O-Ring-37 Flare #8	42	109-6658	2	Nut-Nyloc 3/8-16 Flg
21	1-603990	3	Adapter-Straight	43	109-8753	2	Spacer
21:1	1-603920	1	O-Ring-Sae #8	44	109-8752	2	Spacer
21:2	1-603992	1	O-Ring-37 Flare #8	45	112-9771	2	Washer-Teflon
22	109-0087	1	Asm-Case Drain Hose	46	5-0838	1	Washer
23	109-0582	1	Hydraulic Tank ASM	48	32144-70	2	Screw-HWH 5/16-18 X 3/4 Tf
23:1	115-4212	1	Decal-Warning	49	112-8358	1	HYD Motor ASM (CW)
23:2		1	Tank-Hydraulic ●	49:1	3257-42	1	Key-Woodruff 5/16 X 1
23:2:1	103-1948	1	Cap-Reservoir, HYD	49:2	1-809036	1	Nut-Slotted 1-20
23:2:2	103-1949	1	Gasket-Cap	49:3	109-5966	1	Wheel Motor Seal Kit
24	116-6317	1	Spring-Extension	50	112-8357	1	HYD Motor ASM (CCW)
25	1-603991	4	Adapter-Straight	50:1	3257-42	1	Key-Woodruff 5/16 X 1
25:1	237-80	1	O-Ring	50:2	1-809036	1	Nut-Slotted 1-20
25:2	1-603992	1	O-Ring-37 Flare #8	50:3	109-5966	1	Wheel Motor Seal Kit
26	3231-31	1	Bolt-Carriage 3/8-16 X 2 1/2				
27	109-6905	1	Asm, Charge Hose				
27:1	103-2259	1	Head-Filter				

● Not serviced separately

# Electrical Assembly



## Electrical Assembly (continued)

<i>Ref.</i>	<i>Part Number</i>	<i>Qty.</i>	<i>Description</i>	<i>Ref.</i>	<i>Part Number</i>	<i>Qty.</i>	<i>Description</i>
1	1-543792	2	Wingnut-Nyloc 1/4-20	25:2	106-2733	1	Decal-Throttle
2	103-1311-03	1	Holddown-Battery	25:3	126-4763	1	Decal-Control Panel
3	103-1312	2	Bolt-Holddown	26	1-643021	1	Gauge-Temperature
5	3290-500	8	Screw-PPH #10-24 X 5/8	27	1-643037	1	Gauge-Voltmeter
6	103-5218	1	Module-Delay, Seat	28	103-0205	1	Alarm-Dual Tone 12Vdc
7	3296-2	4	Nut-Nyloc #10-24	29	103-3684	1	Bezel, Gauge
8	1-633181	3	Plate-Tapped	30	109-3495	1	Asm, Relay Mount Bracket
9	1-513374	1	Meter-Engine Hours	30:2	126-4759	1	Decal-Relay
10	103-0498	1	Nut-Ignition	31	49-2040	2	Screw-HWH 1/4-20 X 3/4 Tf
11	103-0206	1	Switch-Ignition W/Keys	32	103-4339	1	Harness-Gauge ▲
11:1	3254-5	1	Washer-Tooth, Internal	33	110-0811	1	Switch-Rocker
11:2	218-461	1	Nut-HH	34	109-2488	1	Cluster, Lights
12	114-0279	1	Switch-PTO	35	103-1349	1	Cable-Engine Negative
13	1-643312	1	Clip-Loom	36	103-7886	1	Sender, Temperature ■
14	1-633111	1	Switch	37	103-1368	1	Fuse-40 Amp
15	116-8236	1	Harness,Wiring-Lzds Kubota ▲	38	322-5	1	Screw-HH 5/16-18 X 1
16	110-8808	1	Harness-Wire	39	32128-20	1	Nut-Whizlock 5/16-18
17	109-3074	1	Cable, Ground (-)	40	3256-23	1	Washer-5/16 Sae
18	109-7607	1	Asm, Cable-Battery (+) ●	41	1-633396	1	Clip-Loom 5/8
18:1	103-1340	1	Insulator-Terminal, Battery	42	33114-016	1	Screw-HH M8-1.25 X 16Mm
18:2	103-1420	1	Insulator-Starter	43	104-2065	2	Screw-HWH #10-24 X 3/8
19	1-643275	7	Relay-12Vdc 40 Amp	44	126-4762	1	Decal-PTO Relay
20	1-816001	1	Fuse-Blade Type, 20 Amp	45	116-5163	1	Ground Wire ASM
21	1-303335	5	Tie-Cable 7 15/16 (Large)	46	3255-8	1	Washer-Lock 5/16 (Ext-Tooth)
22	1-513051	2	Switch-N.O.	47	103-1227	1	Harness-Wiring, Seat ▲
23	109-2661	8	Screw-PPH #10-24 X 1/2	48	94-8002	1	Fuse-Blade, 50 Amp
24	1-807513	2	Bolt-Carriage #10-24 X 1/2	49	100-4918	1	Diode-Over Molded
25	116-5139	1	Control Panel W/Decals	50	103-2106	1	Key-Exmark Logo

● Includes insulators

■ Use a Teflon Pipe Sealant or equivalent on threads.

▲ Use dielectric grease on all unsealed connectors and terminals only. Do not apply in sealed connectors.

**Notes:**

**Notes:**

**Notes:**



# MAXIMIZE THE PERFORMANCE OF YOUR EXMARK MACHINE.



## EXMARK® PREMIUM ENGINE OIL

Exmark now offers a family of engine oil viscosities to perform well in any environment. Each viscosity has the same synthetic formulation to give you what you need in punishing conditions. We designed each grade to the highest quality, making it ideal even for diesel applications. Coupled with Exmark Premium Fuel Treatment, we have the performance products to make your machine hum.

### EXMARK PREMIUM ENGINE OIL SAE 30/10W-30

- Meets zero shear requirements of a straight grade SAE 30 as well as the cold temp properties of a 10W-30.
- Most versatile oil in the industry.
- Superior corrosion protection over conventional oil - even in corrosive, humid environments.

### EXMARK PREMIUM ENGINE OIL SAE 20W-50

- Perfect for your big block engine, or any application in severe service.
- Same full synthetic formulation as all other Exmark Premium viscosities.
- Also effective for use in severe service small block engines.

### EXMARK PREMIUM ENGINE OIL SAE 10W-50

- Full synthetic formulation gives you peak performance. Don't settle for less.
- Wide span multi-grade combines easy starting in cold weather with maximum protection in high temperature operation.
- Reduce friction & wear over standard mineral formulations.

### EXMARK PREMIUM ENGINE OIL SAE 0W-40

- The perfect choice for when the weather turns cold or unpredictable, and your Exmark UTV has to perform.
- Commercial quality for severe service.
- Advanced additive package helps prevent corrosion from long-term storage.

### EXMARK PREMIUM ENGINE OIL UTV FORMULATION

- 4-cycle high-temp formulation.
- Heavier viscosity, full synthetic, perfect for your UTV.

### EXMARK PREMIUM UTV EXTREME CONDITIONS GEAR OIL

- SAE 80W-90, designed to keep your UTV performing at its peak.
- Shear stable, hypoid gear lube.
- Includes a premium additive system to combat wear, oxidation, rust & corrosion.

*Available from your local Exmark dealer. Find your closest dealer at [exmark.com](http://exmark.com)*

## EXMARK ACCESSORIES AND OPTIONS\*

### MID-MOUNT RIDING ACCESSORIES AND OPTIONS

CUSTOM RIDE SEAT SUSPENSION SYSTEM	OPERATOR CONTROLLED DISCHARGE
FULL SUSPENSION SEAT	SUN SHADE
DECK LIFT ASSIST KIT	TRASH CONTAINER
HITCH KIT	TURF STRIPER
LIGHT KIT	ULTRA VAC COLLECTION SYSTEM
12V POWER PORT	ULTRA VAC QUICK DISPOSAL SYSTEM
MICRO-MULCH SYSTEM	

### OUT-FRONT RIDING ACCESSORIES AND OPTIONS

CUSTOM RIDE SEAT SUSPENSION SYSTEM	SNOW BLADE
DUAL-TAIL WHEEL	SNOWBLOWER
FLOOR PAN EXTENDER	SUN SHADE
HITCH KIT	TRASH CONTAINER
LIGHT KIT	ULTRA VAC COLLECTION SYSTEM
MICRO-MULCH SYSTEM	ULTRA VAC QUICK DISPOSAL SYSTEM
ROLL OVER PROTECTION SYSTEM (ROPS)	WEATHER CAB

### WALK-BEHIND ACCESSORIES AND OPTIONS

GRASS CATCHER	TURF STRIPER
MICRO-MULCH SYSTEM	STANDON

\*Some accessories and options not available for some models.

Place Model No. and Serial No.  
Label Here (Included in the Literature  
Pack) or Fill in Below

Model No. \_\_\_\_\_

Serial No. \_\_\_\_\_

Date Purchased \_\_\_\_\_

Engine Model No. and Spec. No. \_\_\_\_\_

Engine Serial No. (E/No) \_\_\_\_\_

© 2015 Exmark Mfg. Co., Inc.  
Industrial Park Box 808  
Beatrice, NE 68310  
All Rights Reserved

Part No. 4502-718 Rev. A  
(402) 223-6300  
Fax (402) 223-5489  
Printed in the USA.

