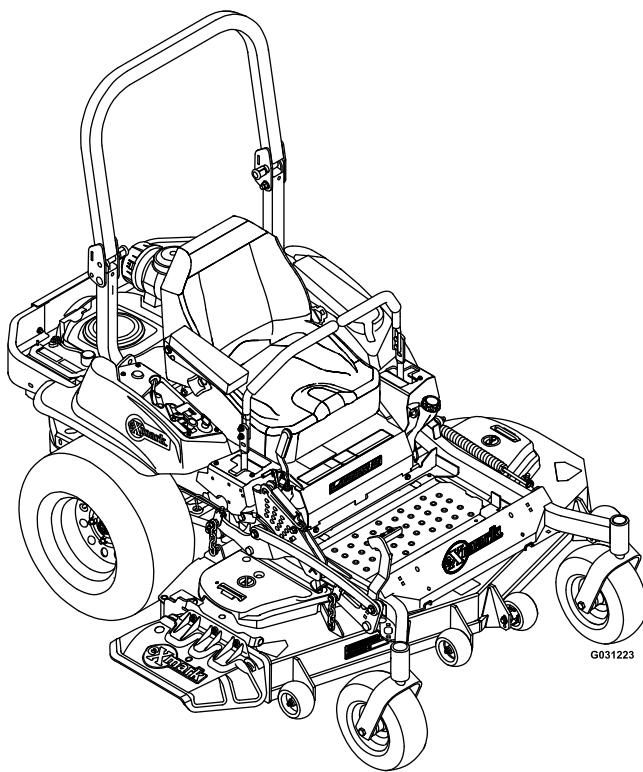




# LAZER Z<sup>®</sup> S-SERIES

Model No. LZS749AKC72400—Serial No. 31600000 and Up

Picture below may not reflect actual product.



# Parts Manual

# Ordering Replacement Parts

To order replacement parts, please supply the part number, the quantity, and the description of each part desired.

## Understanding Reference Numbers

Each identified part in an illustration has a reference number. The reference number for a part also appears in the parts list, along with other information about the part.

This catalog uses two special reference number formats, one to indicate parts in a service assembly and another to indicate the quantity of a given part in an illustration.

## Service Assembly Reference Numbers

Parts in service assemblies have reference numbers in the form a:b. The a represents the reference number of the entire service assembly and the b represents a sequential number unique to each part within the service assembly.

For example, a wheel assembly might be identified by reference number 6, the tire by 6:1, the valve by 6:2, and the wheel by 6:3. When you order the assembly identified by reference number 6, you receive all parts identified by reference numbers 6:1, 6:2, and 6:3. However, you may also order any part individually. Reference numbers of this type appear in illustration and in parts lists.

## Reference Numbers Indicating Quantity

In an illustration, if a reference number indicates more than one part, the reference number has the form nX y. The n represents the quantity of the part, the X is the multiplication symbol, and the y represents the reference number.

For example, in an illustration, the reference number 2X 37 means that two of the parts identified by reference number 37 are indicated.

# List of Abbreviations

<b>AR:</b> as required	<b>HLH:</b> hex lag head	<b>PTH:</b> phillips truss head
<b>ASM:</b> assembly	<b>HOC:</b> height-of-cut	<b>PTO:</b> power-take-off
<b>BBC:</b> blade brake control	<b>HP:</b> high pressure	<b>RH:</b> right hand
<b>BHTF:</b> button head thread forming	<b>HSBH:</b> hex socket button head	<b>ROPS:</b> roll-over protection system
<b>CARR:</b> carriage	<b>HSFH:</b> hex socket flat head	<b>RRB:</b> rear roller brush
<b>CCW:</b> counter clockwise	<b>HSH:</b> hex socket head	<b>SFH:</b> slotted fillister head
<b>CW:</b> clockwise	<b>HWH:</b> hex washer head	<b>SHH:</b> slotted hex head
<b>DEG:</b> degrees	<b>HWHTF:</b> hex washer head thread forming	<b>SHWH:</b> slotted hex washer head
<b>DPA:</b> Dual Point Adjustment	<b>HYD:</b> hydraulic	<b>SPH:</b> slotted pan head
<b>ECM:</b> electronic control module	<b>LH:</b> left hand	<b>SQH:</b> square head
<b>EXT:</b> external	<b>LP:</b> low pressure	<b>SRH:</b> slotted round head
<b>FH:</b> flat head	<b>LPG:</b> Liquefied Petroleum Gas	<b>STD:</b> standard
<b>GA:</b> gauge	<b>NI:</b> nylon insert	<b>TAP:</b> self tapping
<b>HD:</b> heavy-duty	<b>NPTF:</b> national pipe thread fine	<b>TTH:</b> torx truss head
<b>HF:</b> hex flange	<b>PFH:</b> phillips flat head	
<b>HH:</b> hex head	<b>PPH:</b> phillips pan head	
<b>HHF:</b> hex head flange	<b>PPHTF:</b> phillips pan head thread forming	
<b>HHFTF:</b> hex head flange thread forming	<b>PRH:</b> phillips round head	
<b>HJ:</b> hex jam		

# Touch Up Paint

Exmark black touch up spray paint – gloss black.

Exmark red touch up paint (spray paint – P/N 1-850337 - .6 oz liquid bottle – P/N 103-9140).

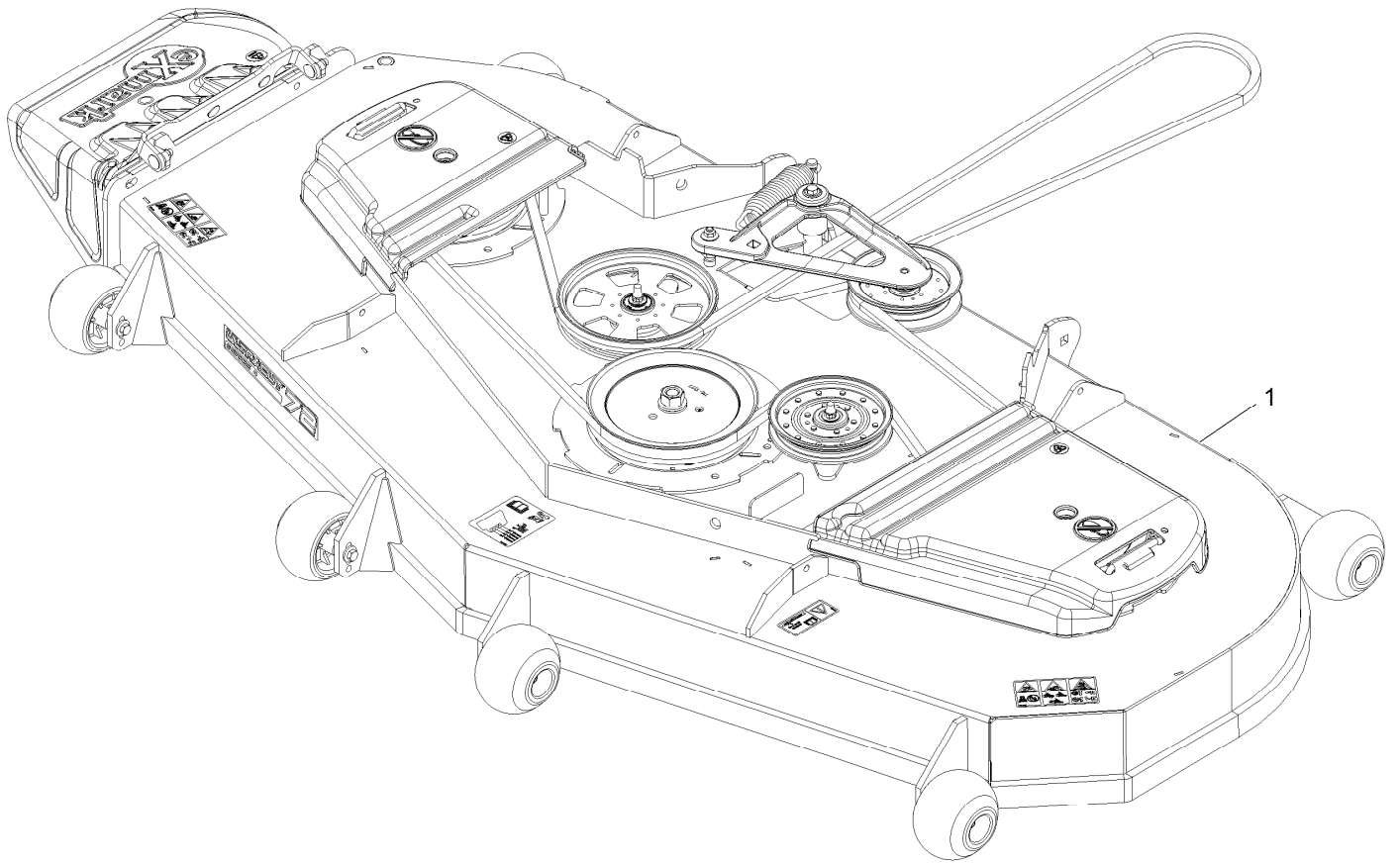


If your Exmark dealer does not have the Exmark part in stock, Exmark will get the parts to the dealer the next business day or the part will be FREE Guaranteed!! (Some restrictions apply. See your participating Exmark Dealer for details.)

## Contents

Complete Deck Assembly.....	4
Deck Assembly.....	6
Deck W/Decals Assembly No. 116-1665.....	8
Deck Idler Assembly No. 116-3755.....	10
Main Frame Assembly.....	12
S-Series Decal.....	14
Roll-Over Protection System.....	16
Roll-Over Protection System Assembly No. 116-0230.....	18
Front Caster and Fork Assembly.....	20
Caster Wheel and Fork Assembly.....	22
Deck Lift Assembly.....	24
Height-of-Cut Assembly No. 109-7438.....	26
Control Assembly.....	28
Motion Control Assembly.....	30
Rear Wheel Assembly.....	32
Park Brake Assembly.....	34
Seat Assembly.....	36
Seat W/Tracks Assembly No. 126-5801.....	38
Fuel Tank Assembly.....	40
Fuel Tank Assembly No. 116-3979.....	42
Engine Assembly.....	44
Hydraulic Assembly.....	46
LH Hydro Assembly No. 126-1323.....	48
RH Hydro Assembly No. 126-1324.....	50
Pump Idler Assembly No. 116-1255.....	52
Electrical Assembly.....	54

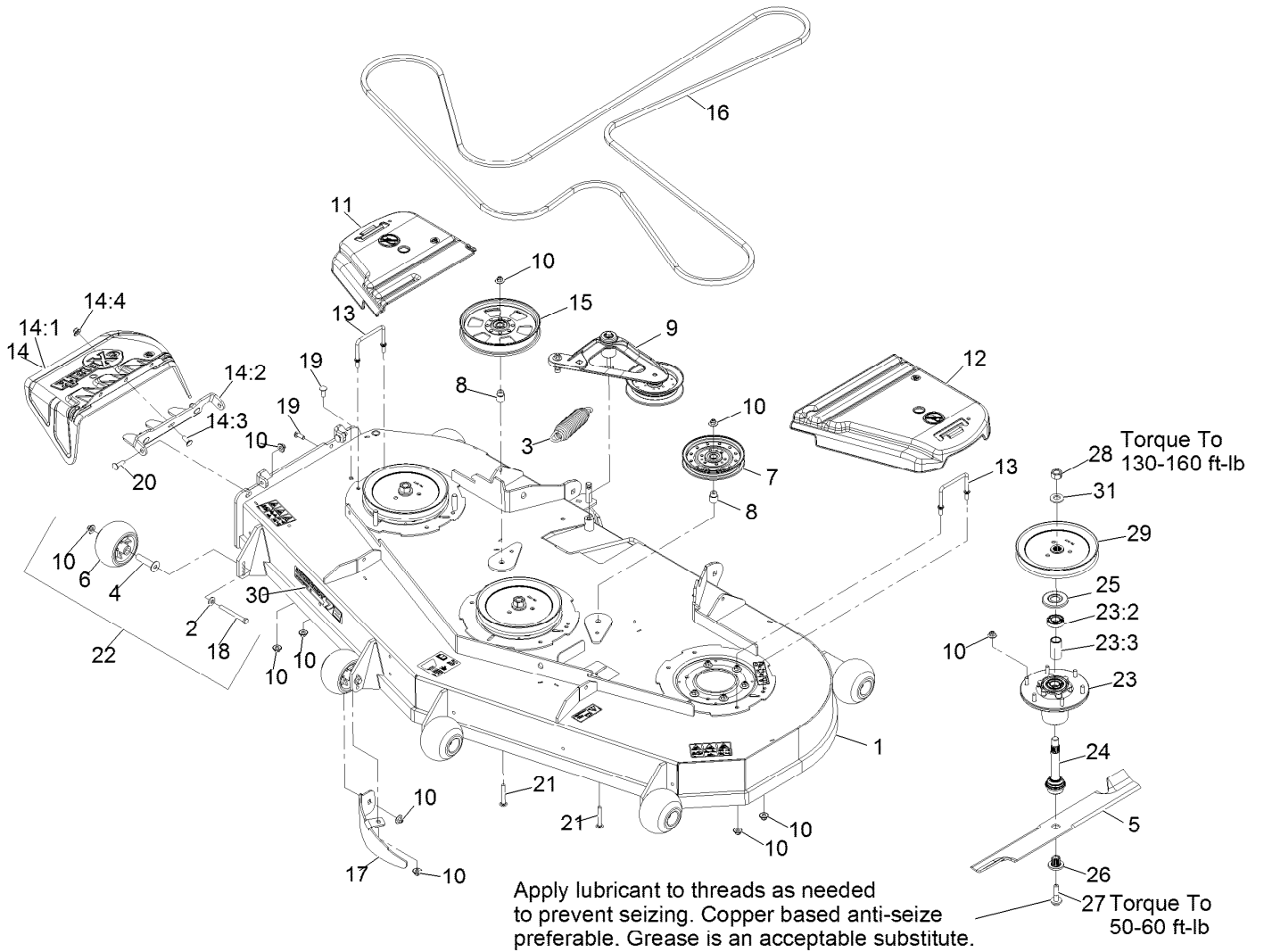
# Complete Deck Assembly



# Complete Deck Assembly (continued)

<i>Ref.</i>	<i>Part Number</i>	<i>Qty.</i>	<i>Description</i>
1	116-3600	1	ASM,724 Deck Complete

# Deck Assembly

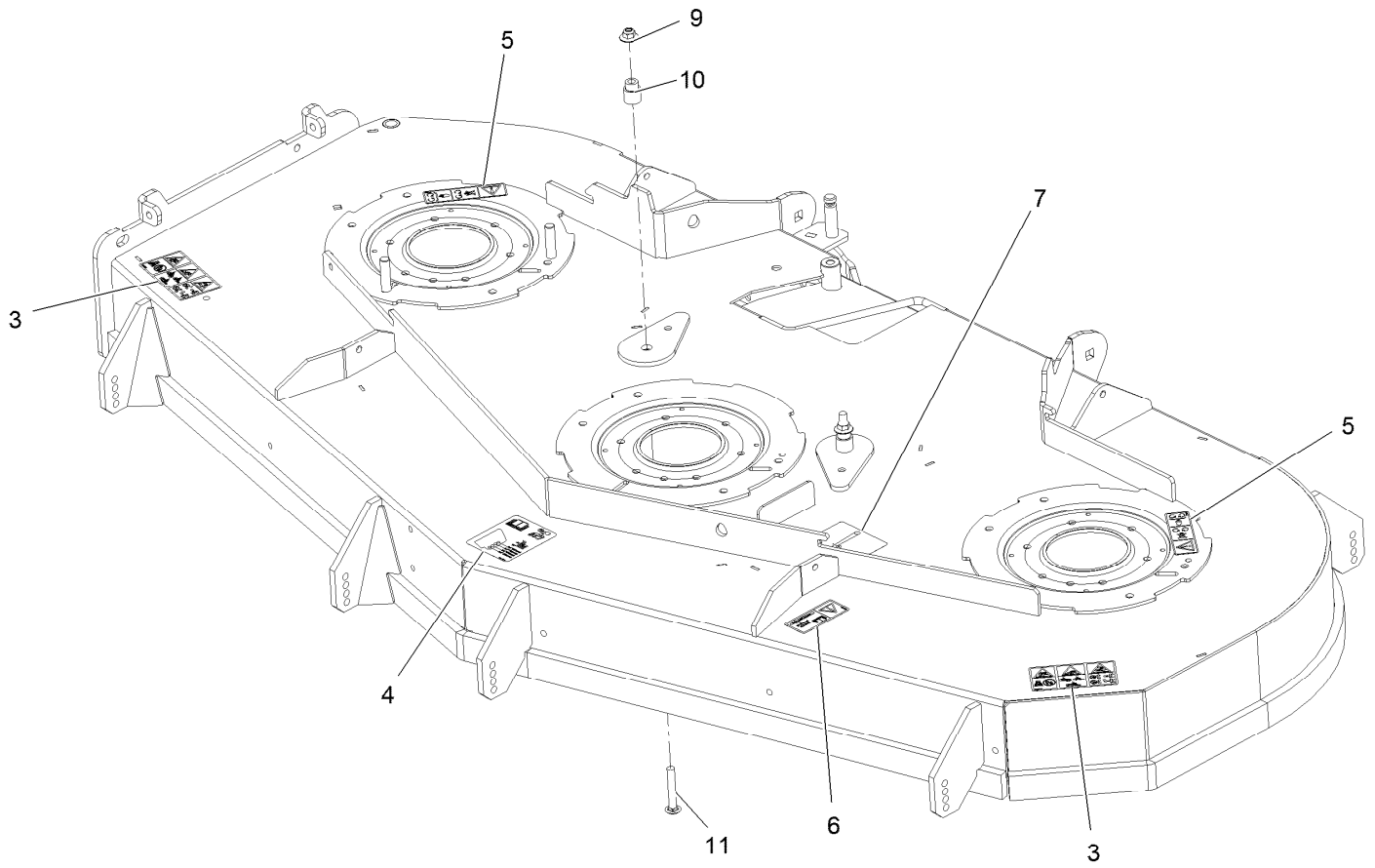


## Deck Assembly (continued)

<i>Ref.</i>	<i>Part Number</i>	<i>Qty.</i>	<i>Description</i>	<i>Ref.</i>	<i>Part Number</i>	<i>Qty.</i>	<i>Description</i>
1	116-1665	1	ASM,Deck W/Decals 724	15	116-9639	1	Pulley-Idler, Flat
2	98-5975	6	Washer-Spring Disc 3/8	16	109-9023	1	Belt,V-5V X 219.00"
3	116-6317	1	Spring-Extension	17	116-5834-01	1	Baffle-Dogleg, Lz72
4	116-8131	6	Axle, Roller	18	116-9362	6	Screw-HH 3/8-16 X 3 3/4 Gr 8
5	103-6384	3	Blade, Solid (72")	19	3231-22	2	Bolt-Carriage 3/8-16 X 1
5	103-6389	3	Blade, Low Lift (72")	20	3231-28	2	Bolt-Carriage 3/8-16 X 1 1/4
5	103-6394	3	Blade, Mulching (72")●	21	3231-44	2	Bolt-Carriage 3/8-16 X 2 1/2
5	103-6404	3	Blade, Notched (72")	22	116-9981	6	Kit, Anti-Scalp Roller
5	116-5171	3	Blade-Extreme 2, 24.50"	23	116-3344	3	ASM-Cutter Hsg With Bearings
6	103-8415	6	Roller-Anti-Scalp	23:2	116-0720	2	Bearing-Ball
7	116-4667	1	Idler-Pulley, Flat	23:3	116-3312	1	Spacer-Bearing
8	1-633456	2	Bushing, Idler	24	116-3341	3	ASM-Spindle And Seal
9	116-3755	1	Deck Idler ASM	25	116-1286	3	Guard,Bearing Top .989
10	109-6658	34	Nut-Nyloc 3/8-16 Flg	26	103-3037	3	Bushing, Splined
11	116-0094	1	Cover-Belt, RH	27	109-9220	3	Screw-Sems 1/2-20 X 2.19
12	109-6938	1	Cover-Belt, LH	28	116-7306	3	Nut-Hex
13	109-6982	2	Wireform-Cover	29	116-1377	3	Sheave,Blade Drive 8.74
14	109-7188	1	ASM,Discharge Chute	30	126-6590	1	Decal, 724
14:1	109-2738	1	Chute, Discharge	31	103-2802	3	Washer-Spring Disc 3/4
14:2	109-8675-01	1	Bracket,Discharge Chute				
14:3	3231-22	3	Bolt-Carriage 3/8-16 X 1				
14:4	109-6658	3	Nut-Nyloc 3/8-16 Flg				

● Requires installation of mulch kit for proper mulching. See your Exmark dealer for details.

# Deck W/Decals Assembly No. 116-1665

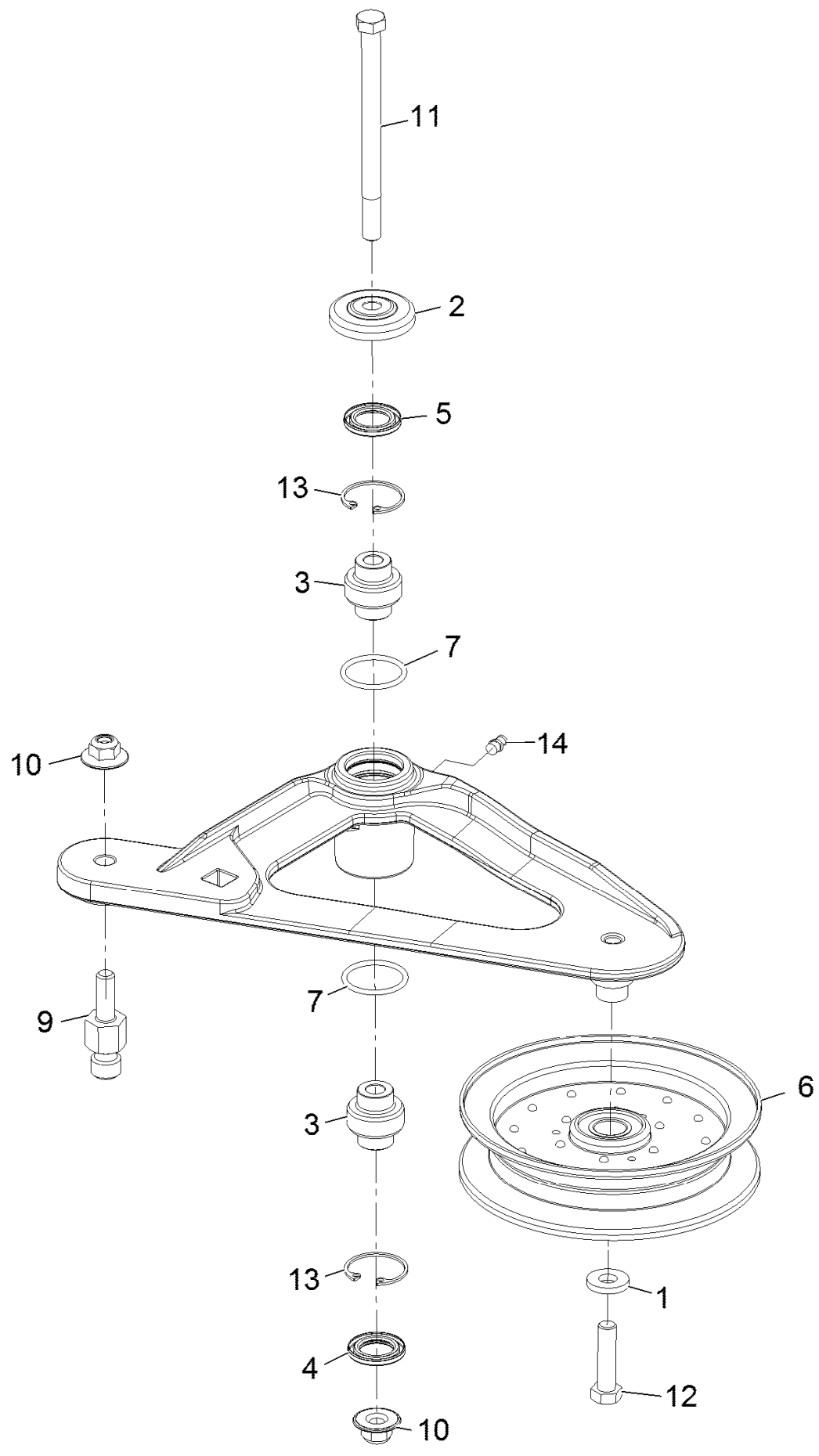




## Deck W/Decals Assembly No. 116-1665 (continued)

<i>Ref.</i>	<i>Part Number</i>	<i>Qty.</i>	<i>Description</i>	<i>Ref.</i>	<i>Part Number</i>	<i>Qty.</i>	<i>Description</i>
3	126-6464	2	Decal-Danger Thrown Objects	7	116-8727	1	Decal-Belt Routing
4	109-6036	1	Decal-Roller, Anti-Scalp	9	109-6658	2	Nut-Nyloc 3/8-16 Flg
5	112-9028	2	Decal-Missing, Cover	10	1-633456	2	Bushing, Idler
6	116-8283	1	Decal-Bolt Torque	11	3231-44	2	Bolt-Carriage 3/8-16 X 2 1/2

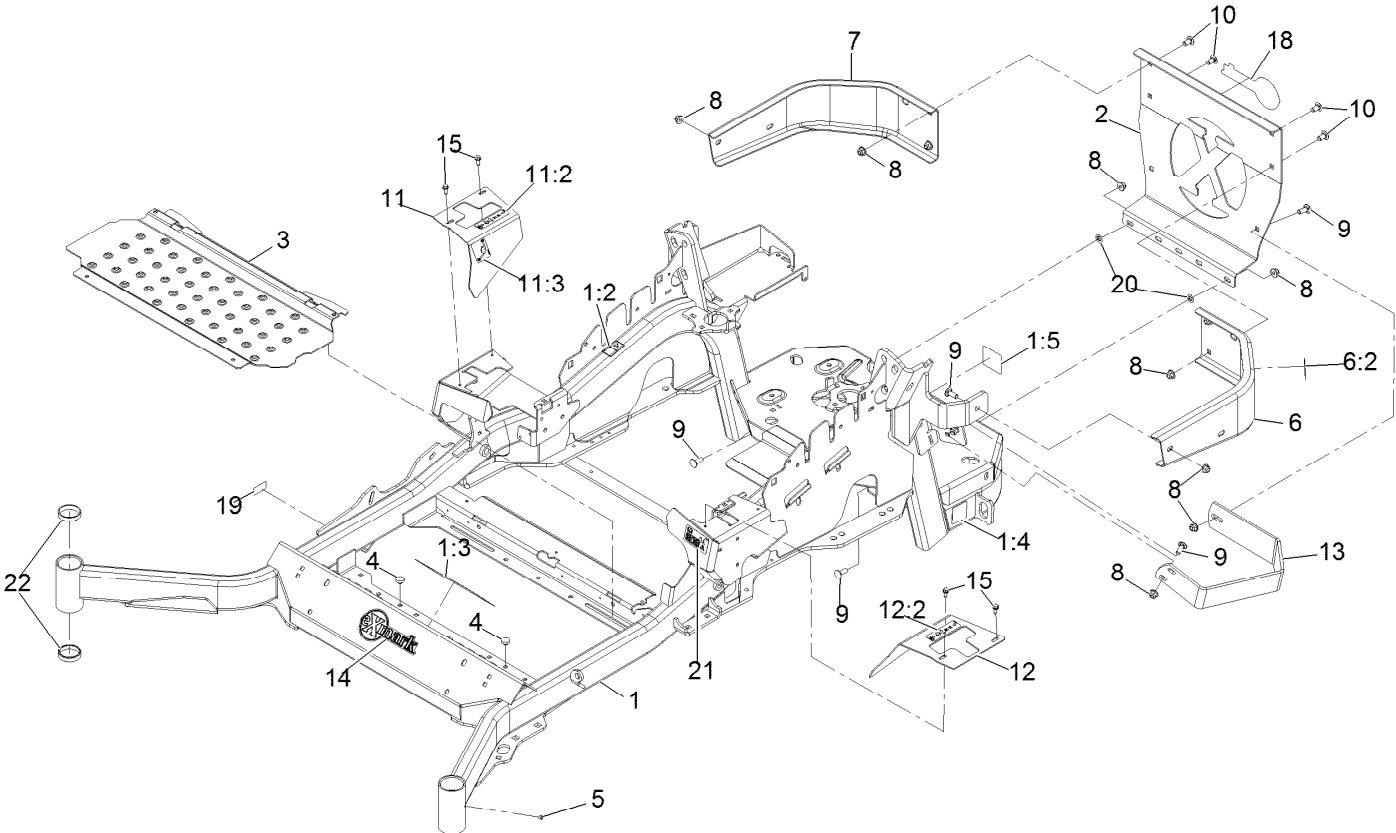
# Deck Idler Assembly No. 116-3755



## Deck Idler Assembly No. 116-3755 (continued)

<i>Ref.</i>	<i>Part Number</i>	<i>Qty.</i>	<i>Description</i>	<i>Ref.</i>	<i>Part Number</i>	<i>Qty.</i>	<i>Description</i>
1	43-0940	1	Spacer	9	126-0423	1	Pin-Spring, Anchor
2	103-2916	1	Guard-Top	10	109-6658	2	Nut-Nyloc 3/8-16 Flg
3	103-3504	2	Bearing-Spherical	11	109-7409	1	Screw-Shoulder 3/8-16 X 5
4	103-3505	1	Seal-Double Lip	12	323-8	1	Screw-HH 3/8-16 X 1 1/2
5	103-3506	1	Seal-Single Lip	13	32120-10	2	Ring-Retaining
6	116-4668	1	Idler-Pulley, Flanged	14	302-19	1	Zerk-1/4-28 Str
7	106-7159	2	O-Ring				

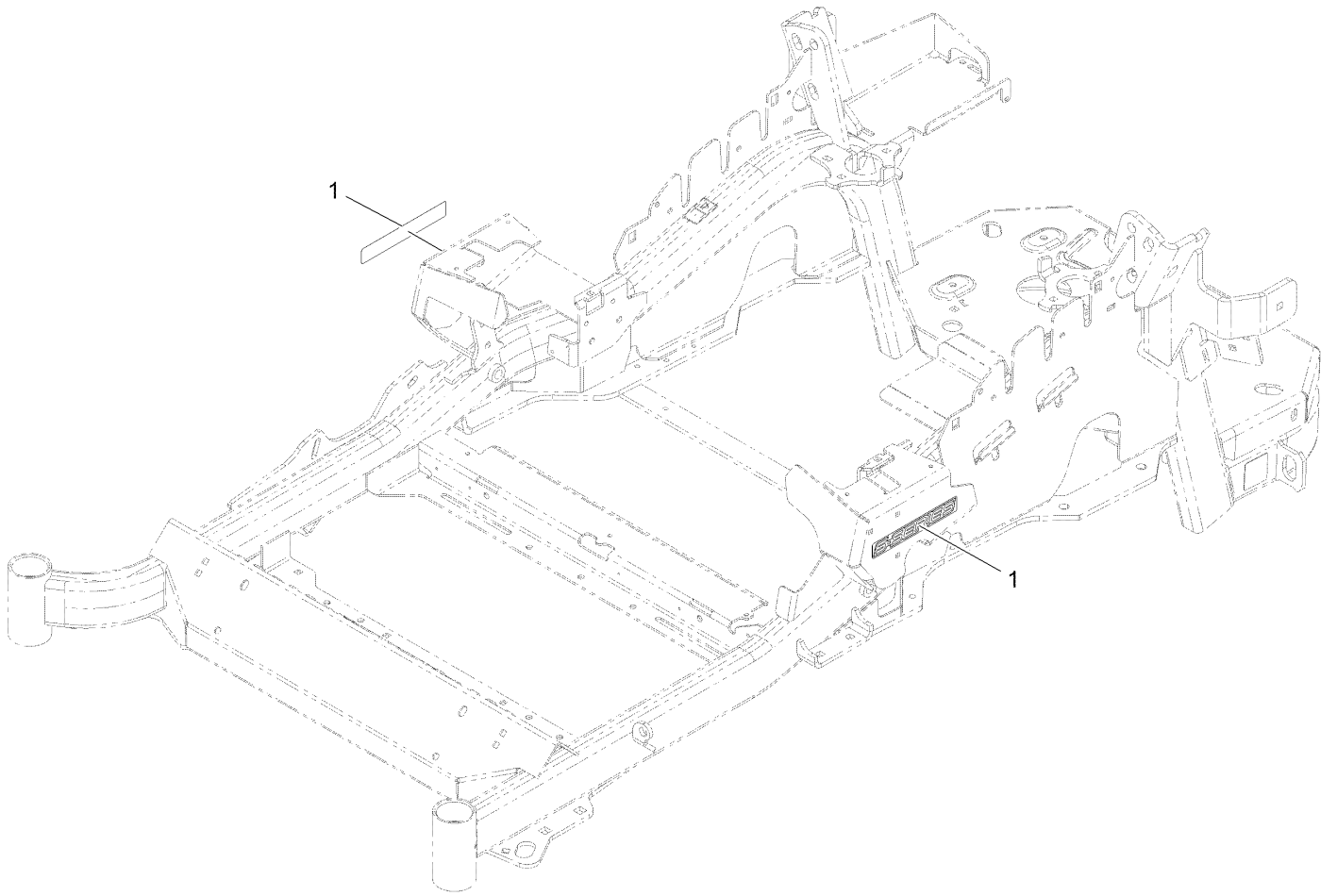
# Main Frame Assembly



## Main Frame Assembly (continued)

<i>Ref.</i>	<i>Part Number</i>	<i>Qty.</i>	<i>Description</i>	<i>Ref.</i>	<i>Part Number</i>	<i>Qty.</i>	<i>Description</i>
1	126-6620	1	ASM-Mainframe 72	11	116-5899	1	RH Motion Control Cover ASM
1:2	106-5517	2	Decal-Warning, Hot Surface	11:2	99-8936	1	Decal-Control, Motion
1:3	132-0871	1	Decal-Danger	11:3	116-5988	1	Decal-Park Brake, Ce
1:4	106-2655	2	Decal-Hazard, Pinched Finger	12	116-0580	1	LH Motion Control Cover ASM
1:5	116-4858	1	Decal-Spark Arrester	12:2	99-8936	1	Decal-Control, Motion
2	109-8863-03	1	Plate,Rear Guard	13	126-2067-03	1	Guard-Muffler
3	116-8898-01	1	Floorpan	14	126-6598	1	Decal, Exmark Logo
4	1-513658	2	Bumper	15	32144-10	4	Screw-HWH 1/4-20 X .62
5	1-811010	2	Plug	18	126-6965	1	Decal-Exmark Logo
6	116-0180	1	LH Bumper ASM	19	126-4345	1	Decal-Patent Ttco.Com
6:2	106-5517	1	Decal-Warning, Hot Surface	20	107-3154	2	Nut-Push 3/8-16
7	116-0057-03	1	Bumper-RH	21	117-3864	1	Decal-Fuel Fill, Ce
8	104-8301	11	Nut-Nyloc 3/8-16 Flg	22	1-543508	4	Cup-Bearing Tapered Roller
9	3231-22	7	Bolt-Carriage 3/8-16 X 1				
10	3231-21	4	Bolt-Carriage 3/8-16 X 3/4				

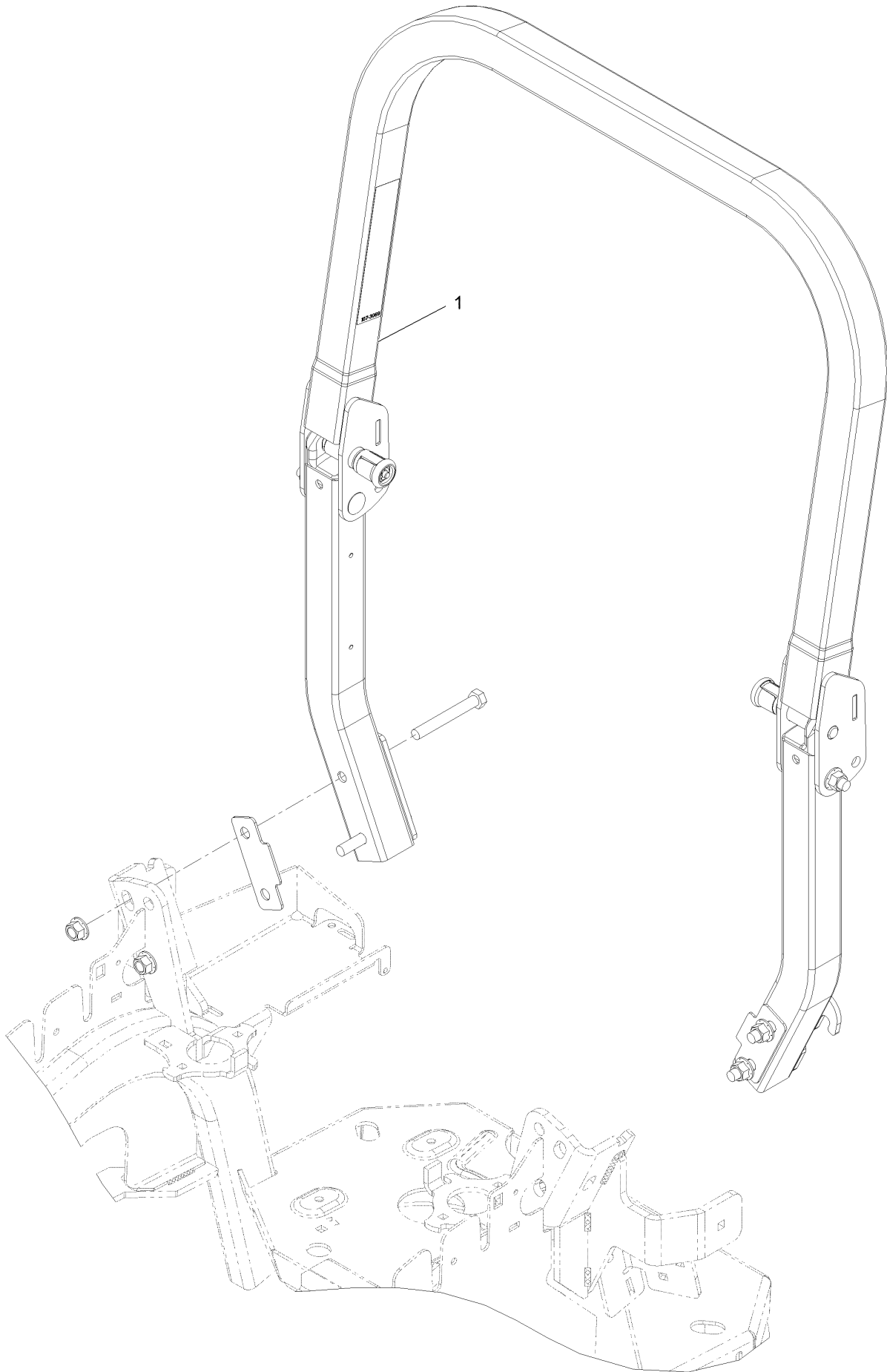
# S-Series Decal



## S-Series Decal (continued)

<i>Ref.</i>	<i>Part Number</i>	<i>Qty.</i>	<i>Description</i>
1	126-6572	2	Decal-S-Series

# Roll-Over Protection System

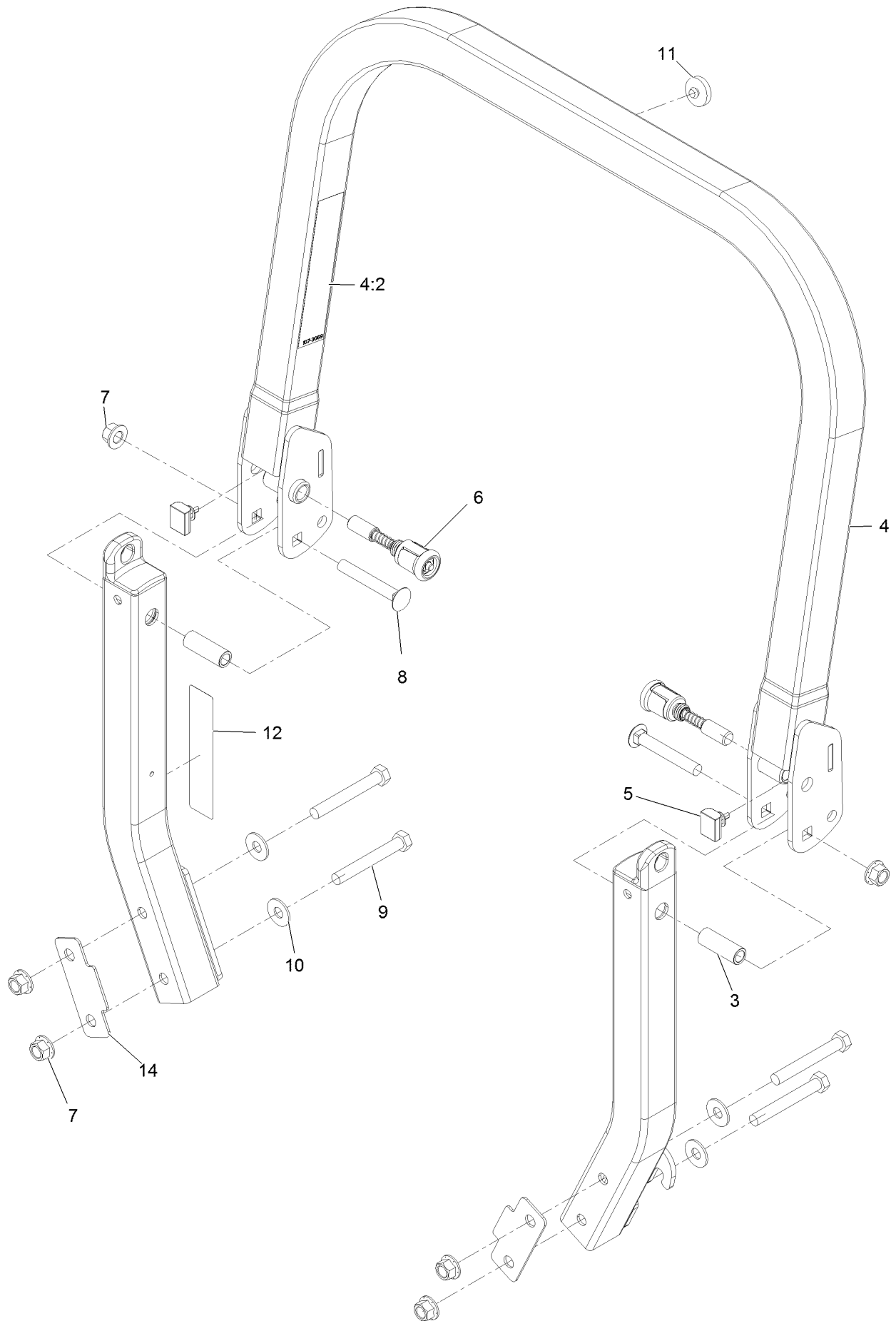




# Roll-Over Protection System (continued)

<i>Ref.</i>	<i>Part Number</i>	<i>Qty.</i>	<i>Description</i>
1	116-0230	1	ASM,ROPS Service Exmark

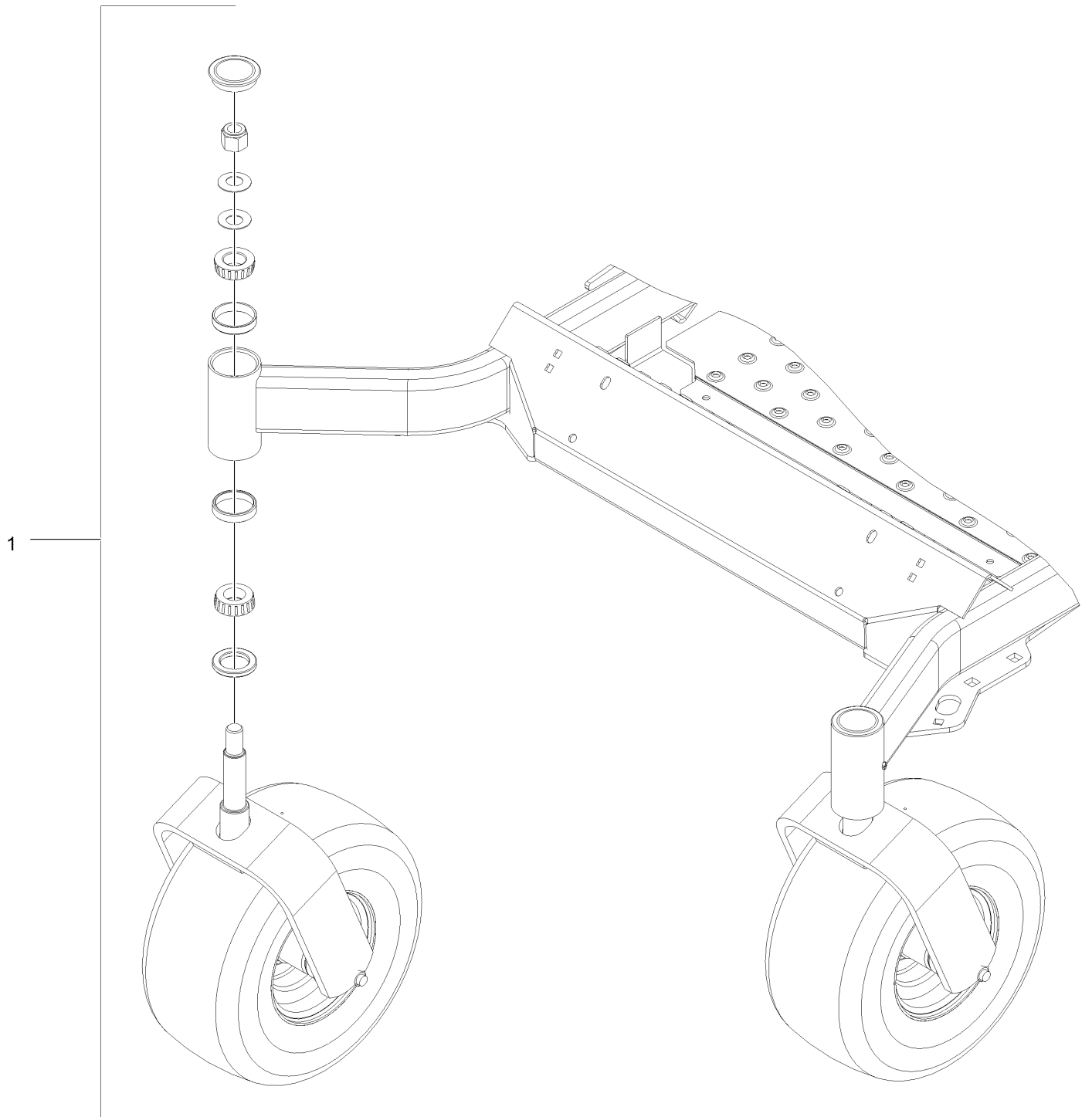
# Roll-Over Protection System Assembly No. 116-0230



# Roll-Over Protection System Assembly No. 116-0230 (continued)

<i>Ref.</i>	<i>Part Number</i>	<i>Qty.</i>	<i>Description</i>	<i>Ref.</i>	<i>Part Number</i>	<i>Qty.</i>	<i>Description</i>
3	109-6653	2	Spacer	8	3233-10	2	Bolt-Carriage 1/2-13 X 3 1/2
4	116-0019	1	Upper ROPS ASM	9	325-35	4	Screw-HH
4:2	107-3069	1	Decal-Warning, Folding ROPS	10	109-9505	4	Washer, Spring Disc 1/2
5	109-5337	2	Bumper-ROPS	11	109-9233	1	Bumper-Push-In, Rubber
6	116-0104	2	Pin-Spring	12	117-0346	1	Decal-Caution, Fuel Vent
7	99-5107	6	Nut-Lock 1/2-13	14	116-0960	2	Spacer

# Front Caster and Fork Assembly

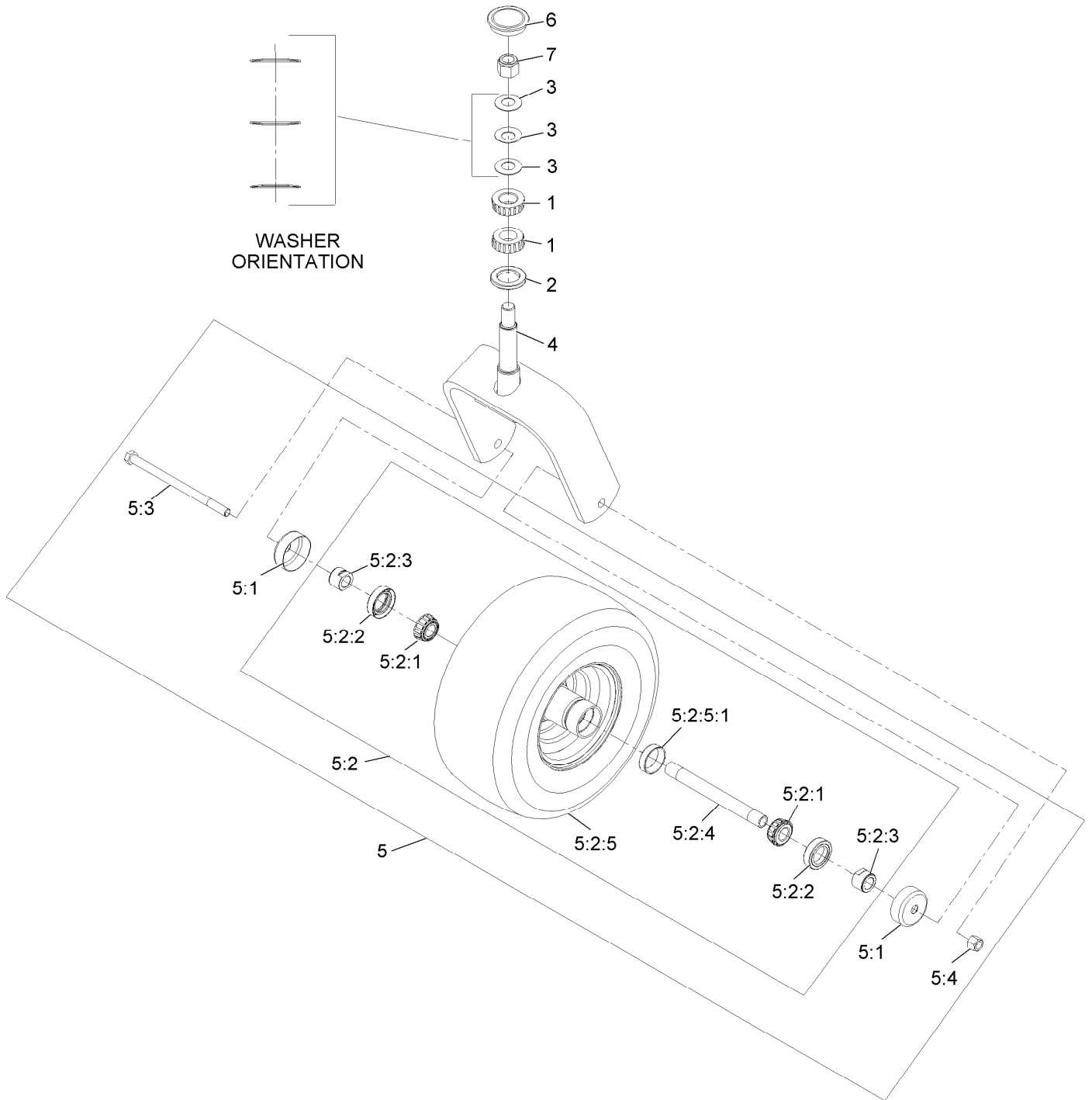


# Front Caster and Fork Assembly (continued)

<i>Ref.</i>	<i>Part Number</i>	<i>Qty.</i>	<i>Description</i>
1		2	Caster Wheel ASM ●

● Not serviced separately

# Caster Wheel and Fork Assembly



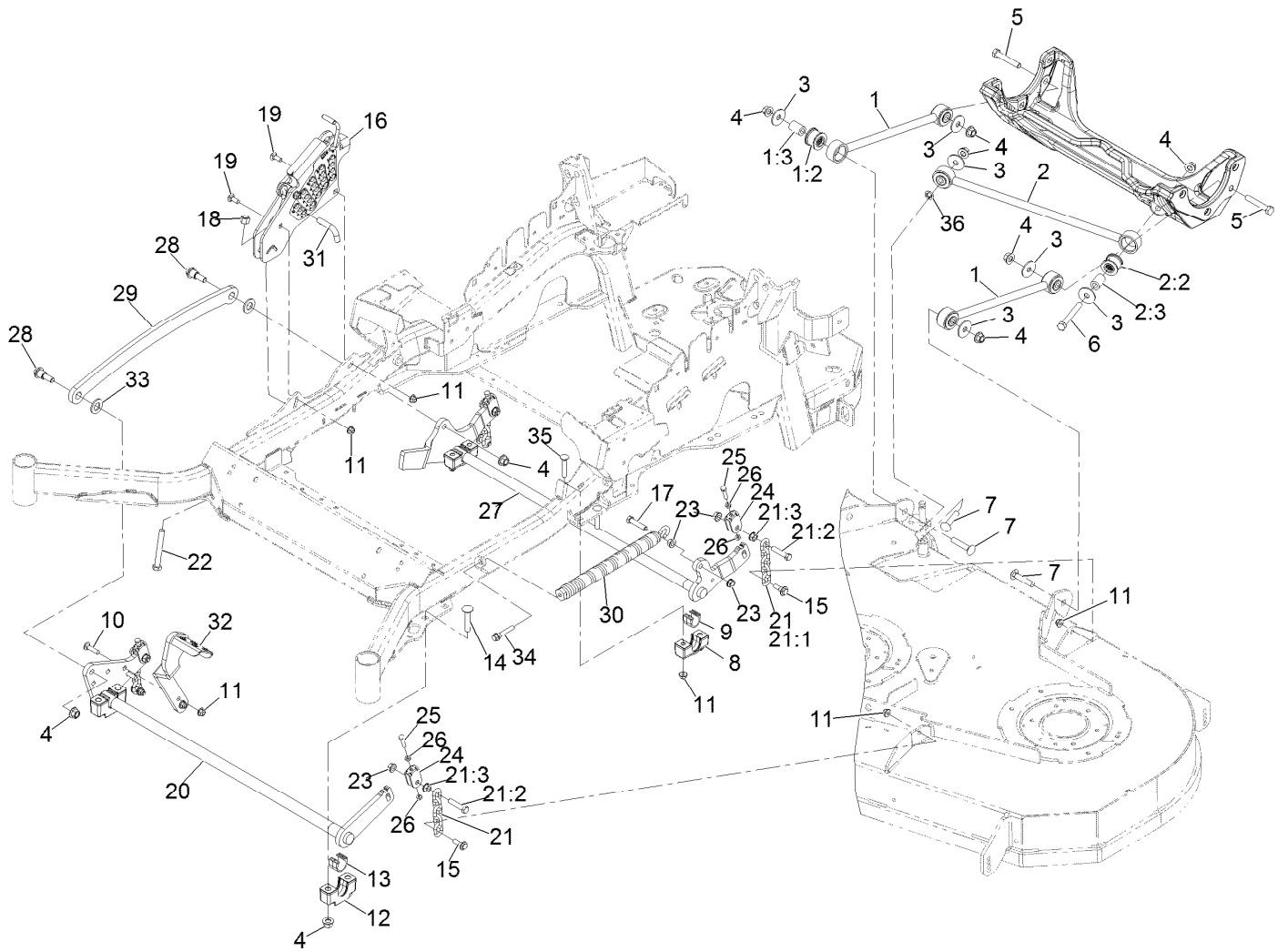
## Caster Wheel and Fork Assembly (continued)

<i>Ref.</i>	<i>Part Number</i>	<i>Qty.</i>	<i>Description</i>	<i>Ref.</i>	<i>Part Number</i>	<i>Qty.</i>	<i>Description</i>
1	1-543509	2	Cone-Bearing Tapered Roller	5:2:2	103-0063	2	Seal-Double Lip
2	116-5647	1	Seal-Grease	5:2:3	103-3051	2	Spacer-Nut ■
3	1-633508	3	Washer-Spring Disc	5:2:4	103-5156	1	Axle-Caster
4	116-6707-01	1	Caster	5:2:5		1	Wheel And Tire ASM ●
5	109-9127	1	Wheel & Tire ASM	5:2:5:1	1-633584	1	Bearing-Cup
5:1	103-2768	2	Guard-Seal	5:3	325-39	1	Screw-HH 1/2-13 X 9 1/2
5:2		1	Wheel And Tire ASM ●	5:4	3296-23	1	Nut-Nyloc 1/2-13
5:2:1	1-633585	2	Bearing-Cone Tapered Roller	6	103-4882	1	Cap-Grease
				7	3296-51	1	Nut-Nyloc 3/4-10

● Not serviced separately

■ Use Pro-Lock, Nut Type (P/N 1-840022, .5ml tube) on threads.

# Deck Lift Assembly





## Deck Lift Assembly (continued)

<i>Ref.</i>	<i>Part Number</i>	<i>Qty.</i>	<i>Description</i>	<i>Ref.</i>	<i>Part Number</i>	<i>Qty.</i>	<i>Description</i>
1	109-7952	2	Deck Strut ASM	16	109-7438	1	HOC ASM
1:2	109-5009	2	Bushing-Suspension, Rubber	17	109-9065	1	Screw-HH 7/16-14 X 2
1:3	109-5010	2	Spacer	18	3296-23	1	Nut-Nyloc 1/2-13
2	109-5013	1	Panhard Rod ASM	19	3231-2	2	Bolt-Carriage 3/8-16 X 1
2:2	109-5009	2	Bushing-Suspension, Rubber	20	126-2475-03	1	Decklift-Front
2:3	109-5010	2	Spacer	21	116-0756	4	Deck Lift Chain ASM
3	86-1990	6	Washer	21:1	1-633447	1	Chain-Lift, Deck
4	99-5107	12	Nut-Lock 1/2-13	21:2	109-9065	1	Screw-HH 7/16-14 X 2
5	325-12	2	Screw-HH 1/2-13 X 3	21:3	32128-37	1	Nut-Whizlock 7/16-14
6	325-17	1	Screw-HH 1/2-13 X 4	22	116-0559	1	Bolt-HH 1/2-13 X 4 Tap
7	3233-34	3	Bolt-Carriage 1/2-13 X 2 1/2	23	32128-37	6	Nut-Whizlock 7/16-14
8	127-0553	2	Support-Cross Shaft, Bearing Rear	24	109-9066	4	Yoke-Adjust, Deck
9	109-7173	2	Bearing-Cross Shaft, Rear	25	322-47	4	Screw-HH 5/16-18 X 1 1/4
10	3231-4	2	Bolt-Carriage 3/8-16 X 1 1/2	26	3218-2	8	Nut-Jam 5/16-18
11	104-8301	12	Nut-Nyloc 3/8-16 Flg	27	116-0459-03	1	Lift-Deck, Rear
12	109-9409	2	Support-Cross Shaft, Bearing	28	116-0780	2	Screw-Shoulder HHF 1/2-13 X 1.12
13	109-9410	2	Bearing-Cross Shaft, Front	29	116-0797-03	1	Link-Lift, Deck
14	116-1700	4	Bolt-Carriage 1/2-13 X 2 1/2 Spl Neck	30	116-0000	1	Spring-Extension
15	109-9840	4	Screw-Hex Flange 3/8-16 X .80	31	116-5584	1	Pin-HOC
				32	116-1919-01	1	Lever-Foot
				33	3256-28	2	Washer-3/4 Sae
				34	92-7674	1	Screw-Shcs 3/8-16 X 2.212
				35	3231-7	4	Bolt-Carriage 3/8-16 X 2 1/4
				36	126-2916	1	Nut-Push

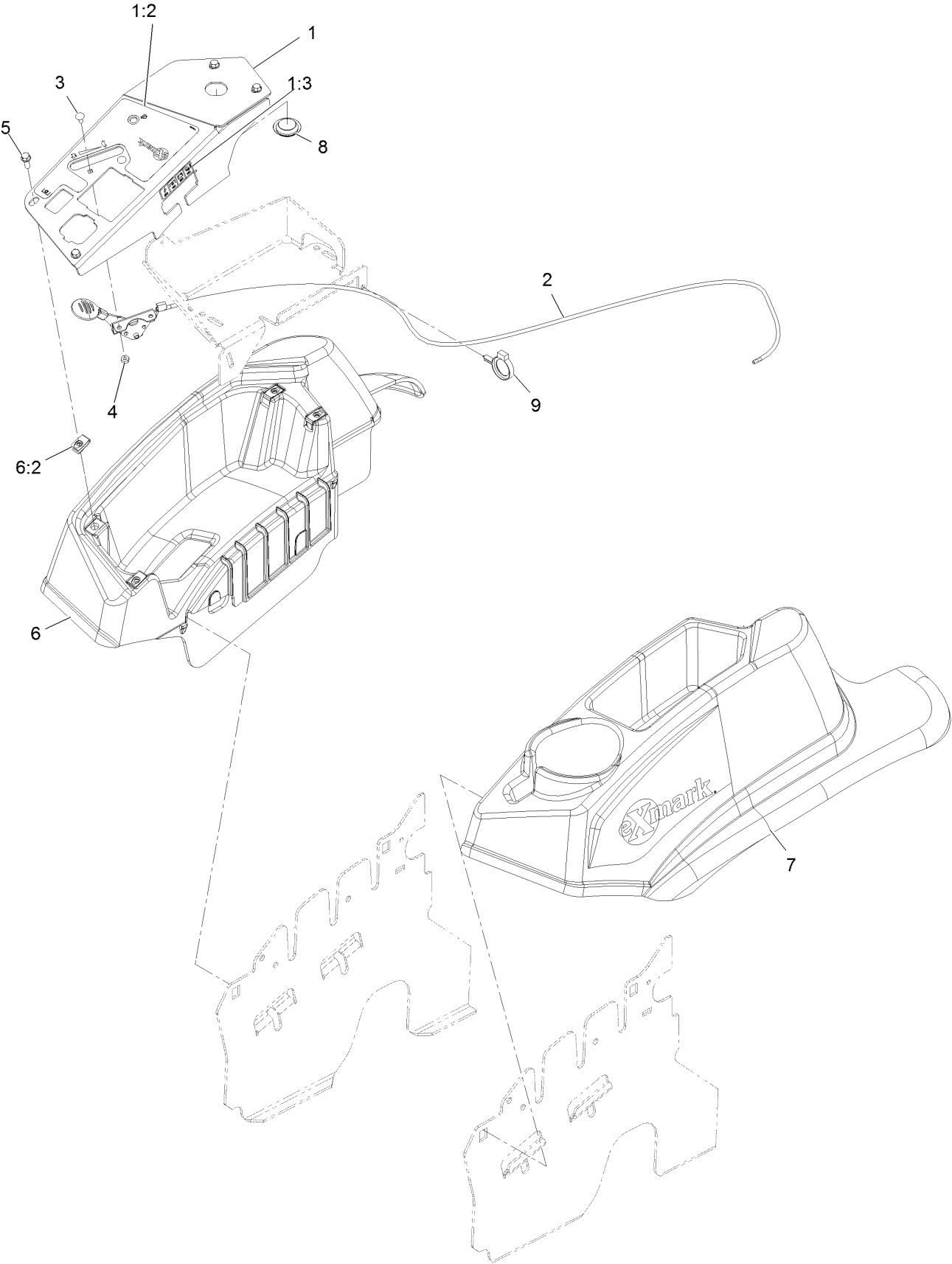
# Height-of-Cut Assembly No. 109-7438



## Height-of-Cut Assembly No. 109-7438 (continued)

<i>Ref.</i>	<i>Part Number</i>	<i>Qty.</i>	<i>Description</i>	<i>Ref.</i>	<i>Part Number</i>	<i>Qty.</i>	<i>Description</i>
1	62-1330	1	Bolt-Shoulder	6	116-0118	1	Pawl-Transport, HOC
2	109-7130	1	Grommet	7	109-7335	1	HOC Plate ASM
3	104-8301	1	Nut-Flange, NI	7:2	126-4398	1	Decal-HOC
4	109-7124	1	Spring-Extension	8	109-8250	1	Grip-Lever
5	109-7128	1	Rod-Lock, Transport				

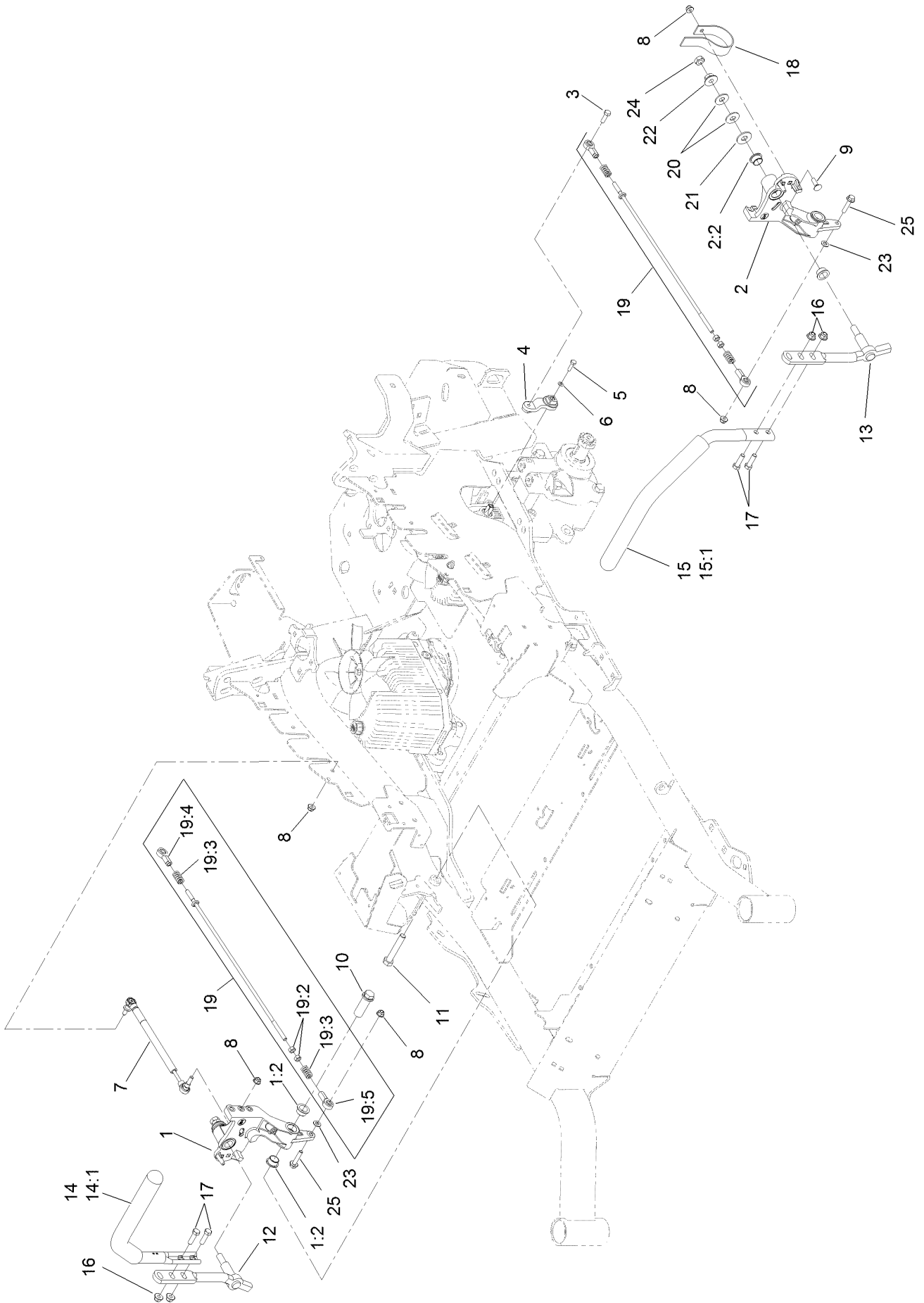
# Control Assembly



## Control Assembly (continued)

<i>Ref.</i>	<i>Part Number</i>	<i>Qty.</i>	<i>Description</i>	<i>Ref.</i>	<i>Part Number</i>	<i>Qty.</i>	<i>Description</i>
1	116-2845	1	ASM,Control Panel W/Decal	5	32105-15	4	Screw-Machine 1/4-20 X 3/4
1:2	116-8725	1	Decal-Control Panel Efi	6	116-1278	1	Console,RH As ASM
1:3	114-4466	1	Decal-Fuses	6:2	107069	4	Nut-Retainer-Panel 1/4-20
2	116-0969	1	ASM,Throttle Cable	7	109-9457	1	Console, LH As
3	1-807513	2	Bolt-Carriage #10-24 X 1/2	8	116-1875	1	Plug,Plastic
4	3296-2	2	Nut-Nyloc #10-24	9	104-2490	1	Clamp-Hose

# Motion Control Assembly

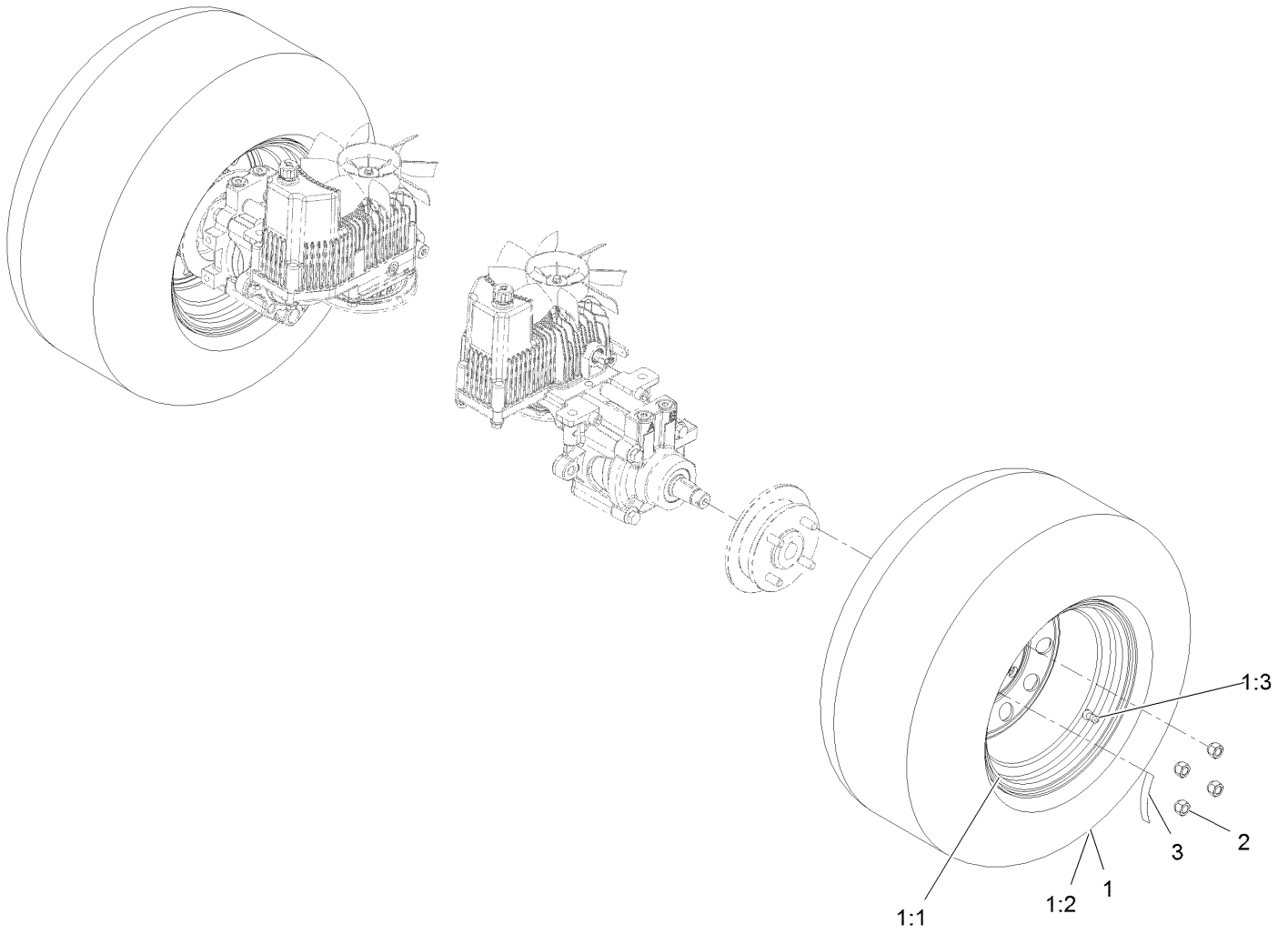


## Motion Control Assembly (continued)

<i>Ref.</i>	<i>Part Number</i>	<i>Qty.</i>	<i>Description</i>	<i>Ref.</i>	<i>Part Number</i>	<i>Qty.</i>	<i>Description</i>
1	116-0880	1	RH Motion Control And Bushing ASM	14	109-6589	1	RH Steering Handle ASM
1:2	109-8054	4	Bushing-Flange	14:1	109-5668	1	Grip-Control, Lever
2	116-0881	1	LH Motion Control And Bushing ASM	15	109-6590	1	LH Steering Handle ASM
2:2	109-8054	4	Bushing-Flange	15:1	109-5668	1	Grip-Control, Lever
3	116-0648	2	Screw-HH, Thread Locking ●	16	104-8301	4	Nut-Flange, NI
4	109-4581	2	Arm-Control, Pump	17	323-7	4	Screw-HH
5	9080046	2	Screw-HH ●	18	109-5575	2	Spring-Leaf
6	1-303435	2	Washer-Spring	19	109-8106	2	Front Pump Linkage ASM
7	116-0027	2	Damper-Control, Motion	19:2	3219-2	2	Nut-Hex
8	104-8300	8	Nut-Flange, NI	19:3	1-323245	2	Spring-Compression
9	3230-2	2	Bolt-CARR	19:4	1-633152	1	Balljoint-LH
10	109-5891	2	Hub-Threaded	19:5	1-543017	1	Balljoint-RH
11	325-12	2	Screw-HH	20	109-9505	4	Washer-Spring
12	116-0039	1	Lever-Control Motion, RH	21	3256-6	2	Washer-Flat
13	116-0040	1	Lever-Control Motion, LH	22	32128-56	2	Nut-HF
				23	3256-23	2	Washer-Flat
				24	3218-5	2	Nut-Jam
				25	115-1794	2	Screw-HHF

● Use Pro-Lock, Nut Type (P/N 1-840022, .5ml tube) on threads.

# Rear Wheel Assembly

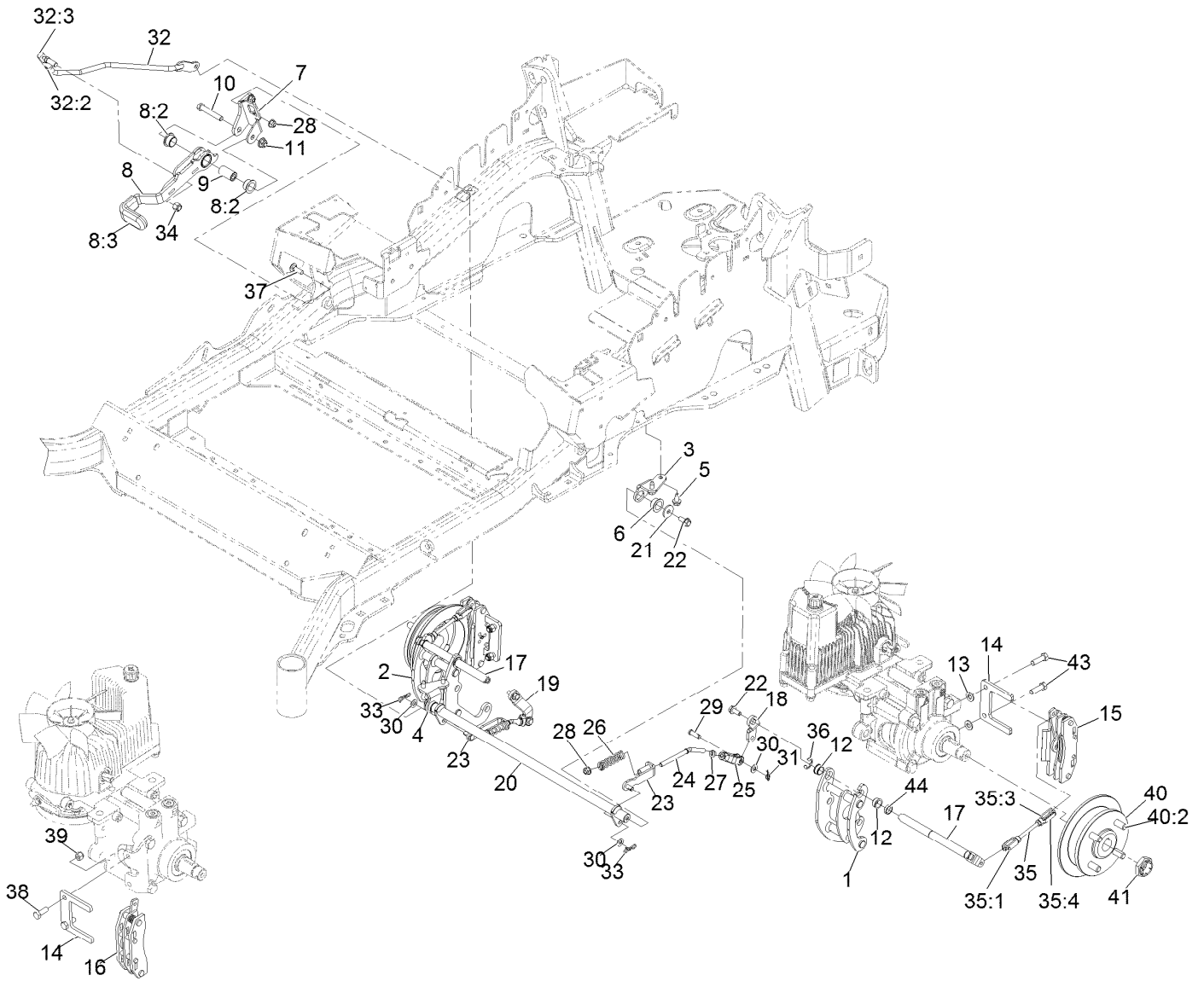




## Rear Wheel Assembly (continued)

<i>Ref.</i>	<i>Part Number</i>	<i>Qty.</i>	<i>Description</i>	<i>Ref.</i>	<i>Part Number</i>	<i>Qty.</i>	<i>Description</i>
1	109-8972	2	Wheel And Tire ASM	2	242-50	8	Nut-Lug 1/2-20
1:1	1-633993	1	Tire	3	126-2055	2	Decal-Torque, Wheel Hub Lug
1:2	109-3156	1	Rim				
1:3	232-27	1	Stem-Valve				

# Park Brake Assembly

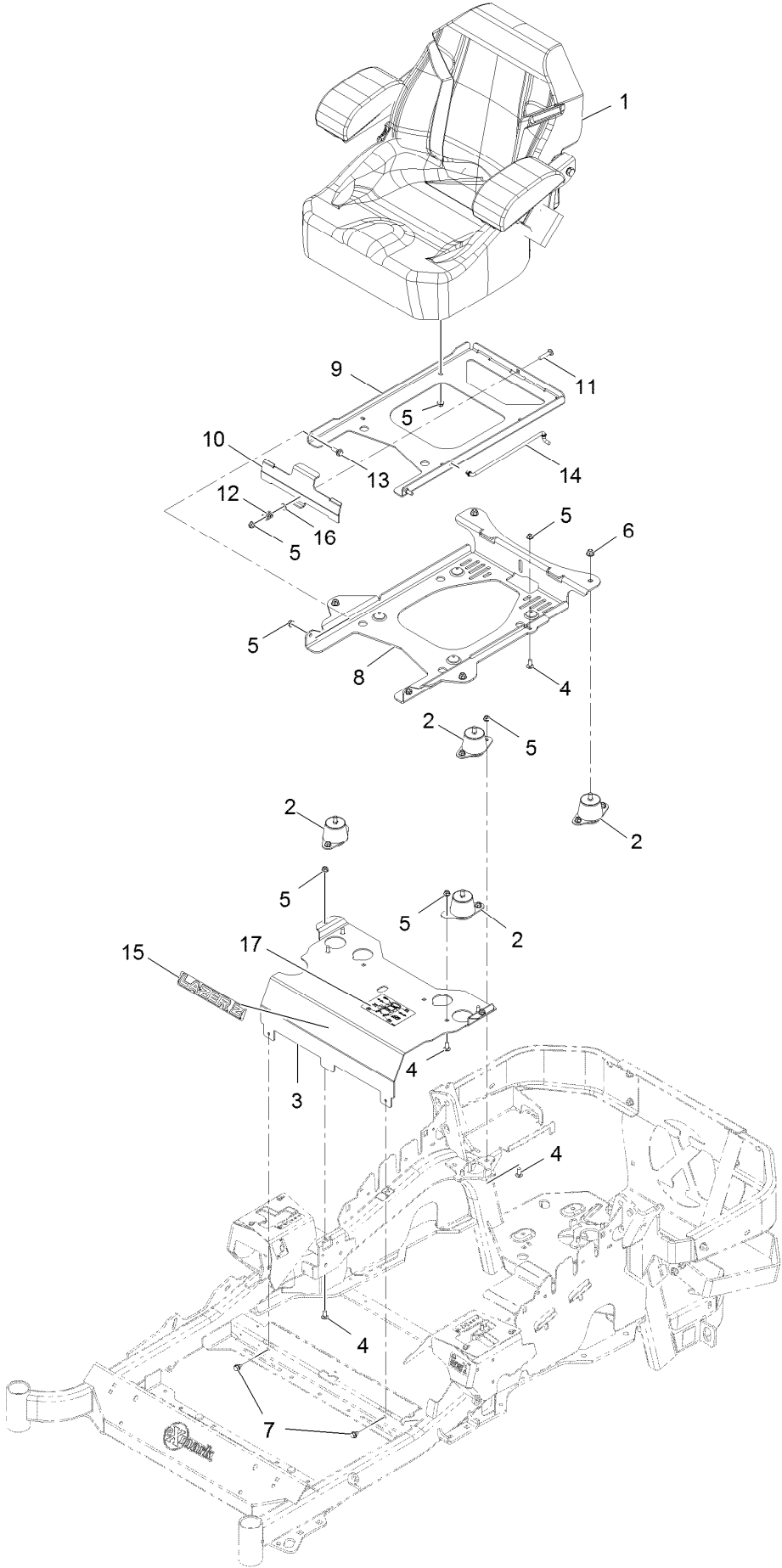


REAR VIEW OF  
RIGHT HAND HYDRO

## Park Brake Assembly (continued)

<i>Ref.</i>	<i>Part Number</i>	<i>Qty.</i>	<i>Description</i>	<i>Ref.</i>	<i>Part Number</i>	<i>Qty.</i>	<i>Description</i>
1	126-4248	1	Weld, Bellcrank Mount, Lt	25	126-3693	2	Yoke-Offset
2	126-4249	1	Weld, Bellcrank Mount, Rt	26	116-9085	2	Spring-Compression
3	116-9681	1	Mount-Pivot, LH	27	3220-2	2	Nut-Jam 5/16-24
4	116-9682	1	Mount-Pivot, RH	28	104-8300	4	Nut-Nyloc 5/16-18 Flg
5	32144-70	4	Screw-HWH 5/16-18 X 3/4 Tf	29	1-808280	2	Pin-Clevis 5/16 X 1 49/64
6	109-8054	2	Bushing-Flanged	30	3256-23	4	Washer-5/16 Sae
7	116-9096-01	1	Bracket-Mount	31	116-6639	2	Pin-Cotter, Locking
8	126-0970	1	Brake Lever ASM	32	116-9102	1	Front Linkage ASM
8:2	109-8054	2	Bushing-Flanged	32:2	94-7572	1	End-Tie Rod, RH
8:3	1-633268	1	Grip-Lever	32:3	3220-3	1	Nut-Jam 3/8-24
9	116-9117	1	Handle-Pivot, Brake	33	119-1415	2	Pin-Cotter, Locking
10	323-11	1	Screw-HH 3/8-16 X 2 1/4	34	3296-6	1	Nut-Nyloc 3/8-24
11	104-8301	1	Nut-Nyloc 3/8-16 Flg	35	116-9071	2	Rear Linkage ASM
12	126-6199	4	Bushing-Igus	35:1	116-9070	2	Yoke
13	3256-24	2	Washer-3/8 Sae	35:3	3220-1	1	Nut-Jam 1/4-28
14	109-0958	2	Plate-Mount, Brake	35:4	126-6395	2	Pin-Clevis, Spring
15	109-2889	1	Caliper-Brake	36	32120-19	2	E-Ring
16	116-9103	1	Caliper-Brake, RH	37	3230-2	2	Bolt-Carriage 5/16-18 X 1
17	126-4251	2	Bellcrank	38	323-6	2	Screw-HH 3/8-16 X 1
18	126-3715	1	Arm-Inner, LH	39	3296-39	2	Nut-Nyloc 3/8-16
19	126-3716	1	Arm-Inner, RH	40	116-1746	2	Wheel Hub ASM
20	116-9080	1	Shaft-Cross	40:2	116-1696	4	Stud-Wheel
21	115-7109	2	Washer-Flat	41	116-1399	2	Locknut
22	98-9940	4	Screw	43	92-5727	2	Screw-HH 3/8-16 X 1 1/4 Patch Lock
23	116-9609	2	Bracket-L	44	126-6200	2	Spacer
24	116-9086	2	Linkage-Mid				

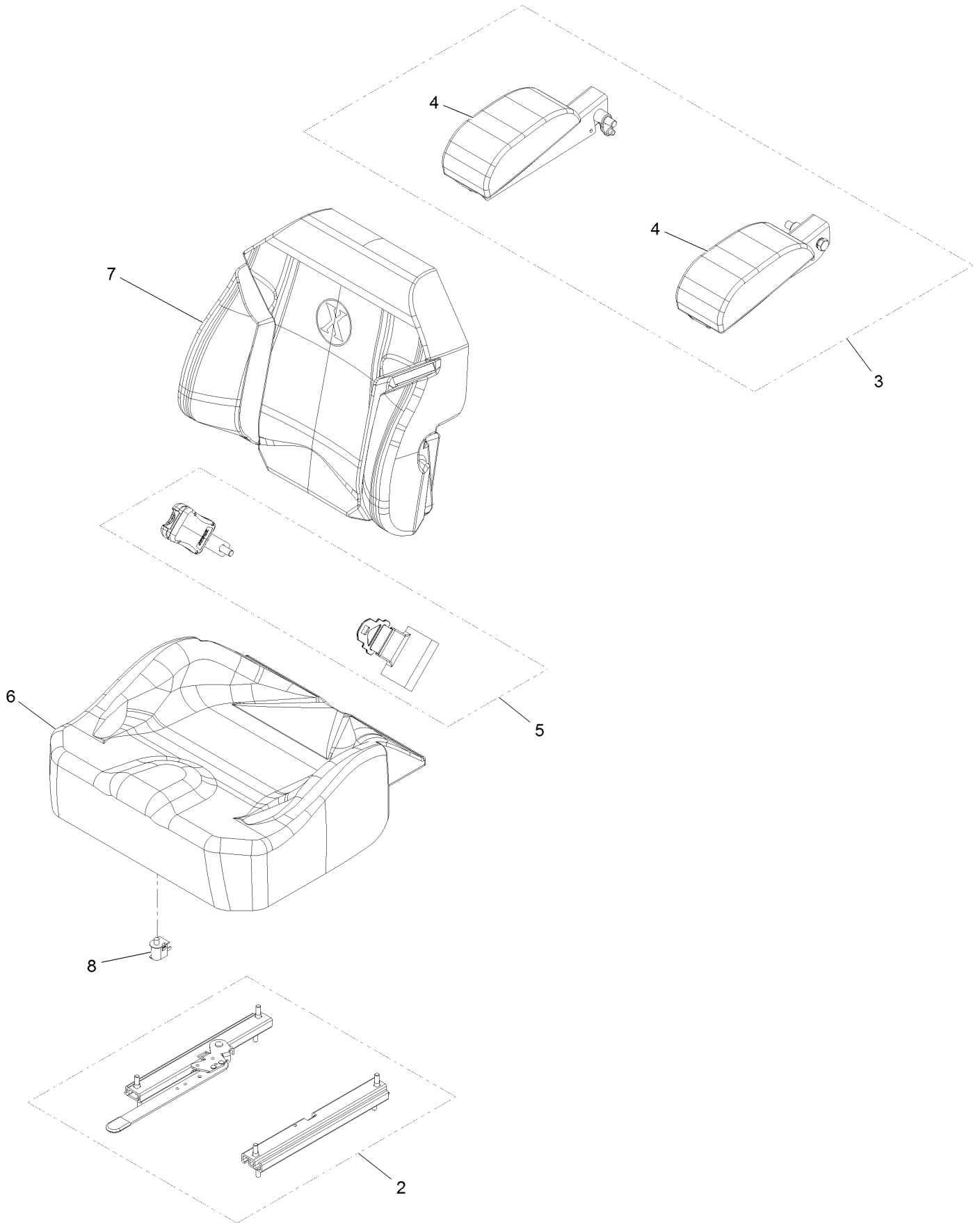
# Seat Assembly



## Seat Assembly (continued)

<i>Ref.</i>	<i>Part Number</i>	<i>Qty.</i>	<i>Description</i>	<i>Ref.</i>	<i>Part Number</i>	<i>Qty.</i>	<i>Description</i>
1	126-5801	1	Seat-Exmark Standard	10	109-9881-03	1	Plate-Latch, Seat
2	109-9034	4	Isolator-Seat	11	3230-4	1	Bolt-Carriage 5/16-18 X 1 1/2
3	116-2323	1	Mount-Seat	12	107-3017	1	Spring-Compression
4	3230-23	11	Bolt-Carriage 5/16-18 X 3/4 Short Neck	13	116-1297	2	Screw-Shoulder
5	104-8300	18	Nut-Nyloc 5/16-18 Flg	14	116-0070	1	Rod-Prop
6	104-8301	4	Nut-Nyloc 3/8-16 Flg	15	126-6574	1	Decal, Lazer Model
7	9266934	2	Screw-HWH 5/16 X 1/2 Tf	16	3256-23	1	Washer-5/16 Sae
8	116-3860-03	1	Plate-Tilt, Seat Support	17	114-4465	1	Decal-Service Aid
9	116-3859-03	1	Plate-Frame, Seat				

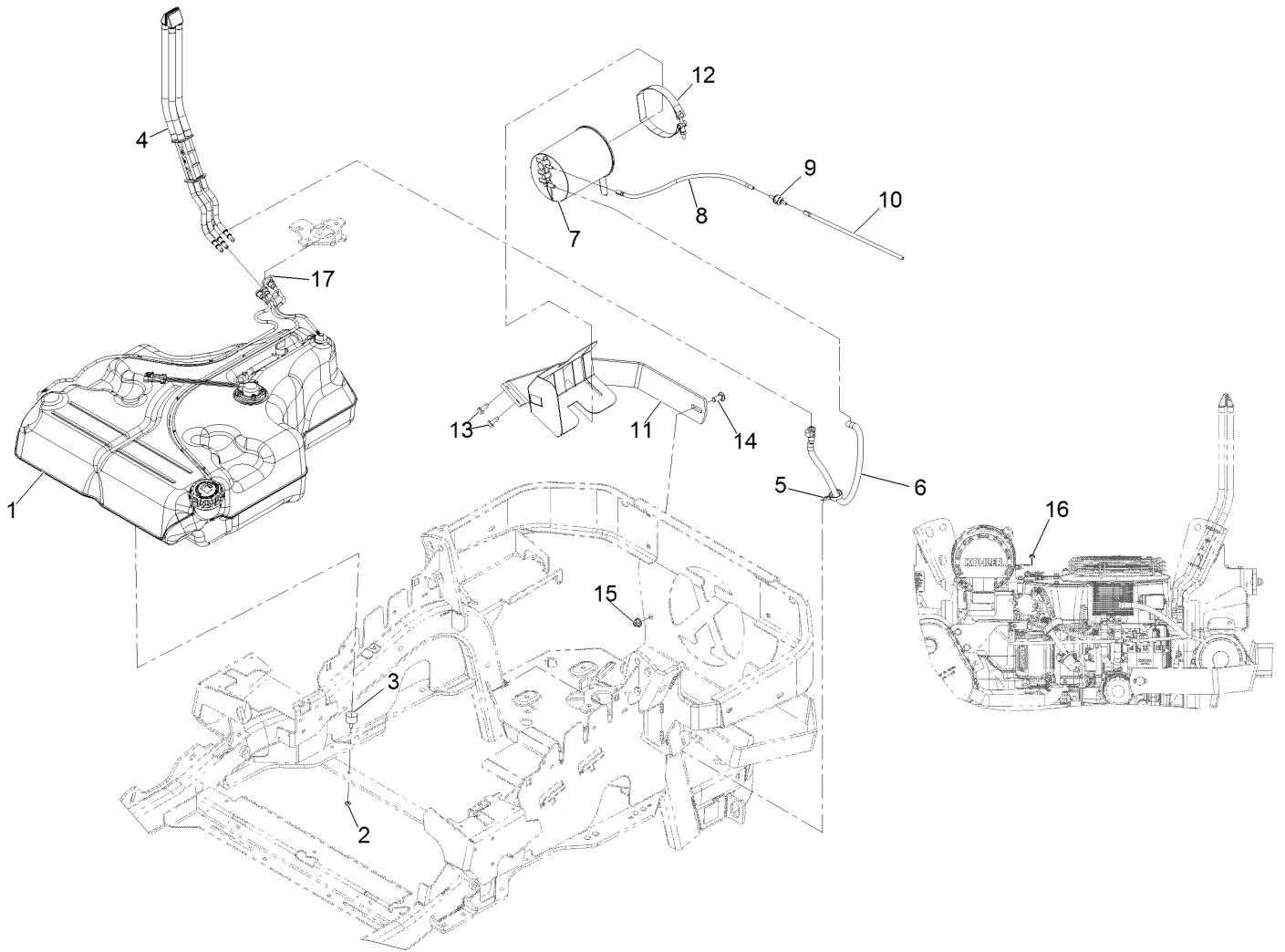
# Seat W/Tracks Assembly No. 126-5801



## Seat W/Tracks Assembly No. 126-5801 (continued)

<i>Ref.</i>	<i>Part Number</i>	<i>Qty.</i>	<i>Description</i>	<i>Ref.</i>	<i>Part Number</i>	<i>Qty.</i>	<i>Description</i>
2	109-9801	1	Seat Track Set	6	126-6052	1	Seat Cushion Cover
3	116-8906	1	Kit-Arm Rest Set	7	126-6051	1	Seat Back Cover
4	116-8905	1	Kit-Arm Rest Pads	8	82-2190	1	Switch
5	109-9805	1	Seat Belt Kit				

# Fuel Tank Assembly





## Fuel Tank Assembly (continued)

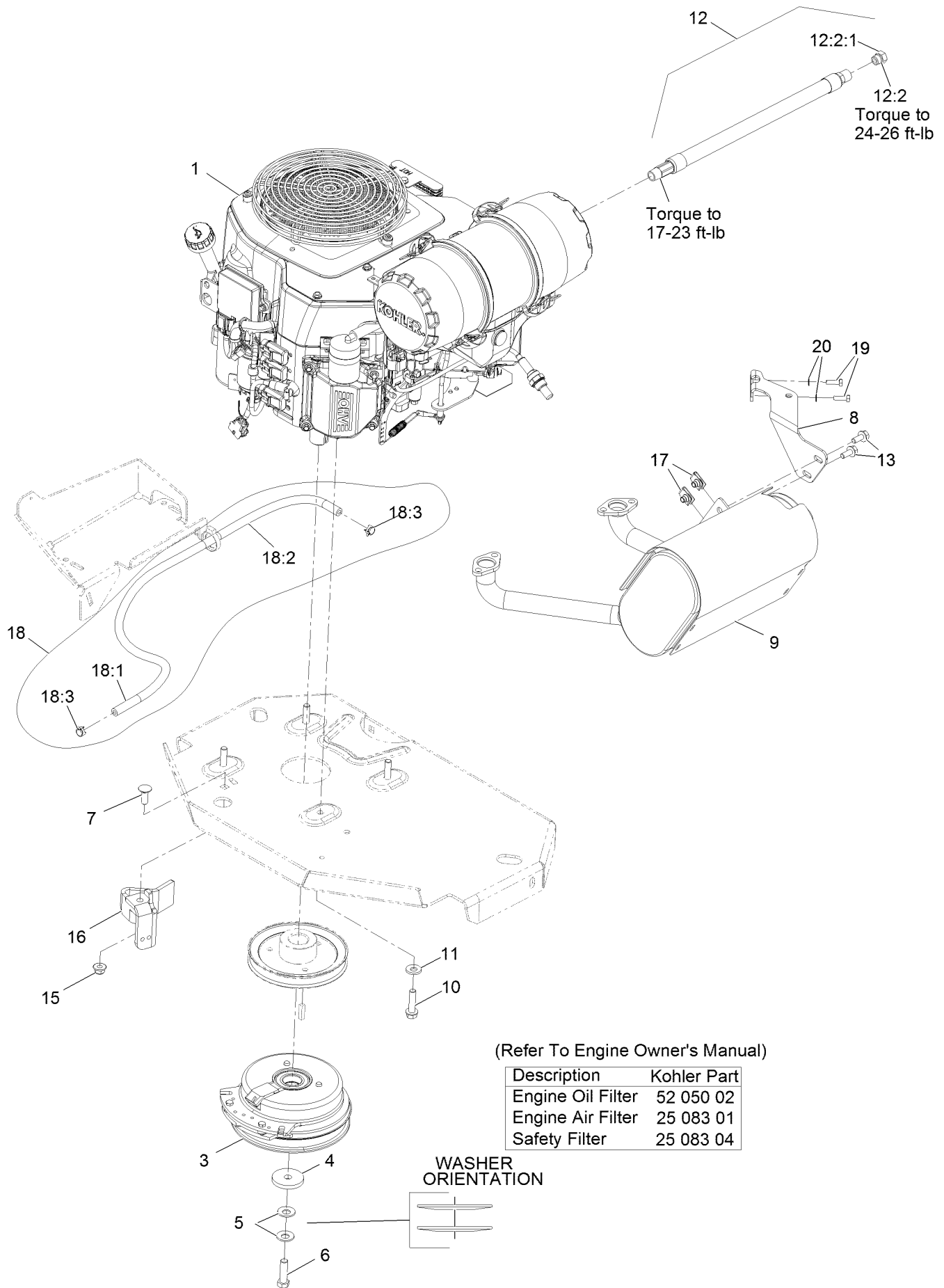
<i>Ref.</i>	<i>Part Number</i>	<i>Qty.</i>	<i>Description</i>	<i>Ref.</i>	<i>Part Number</i>	<i>Qty.</i>	<i>Description</i>
1	116-3979	1	Fuel Tank ASM	10	119-4235	1	Hose-Vent, Formed
2	3218-1	2	Nut-Jam	11	116-1433-03	1	Mount-Canister
3	116-6380	2	Bumper-Rubber (W/ Stud)	12	116-2228	1	Clamp-T-Bolt
4	109-9491	1	Fuel Manifold Vent ASM	13	32144-70	2	Screw-HWH 5/16-18 X 3/4 Tf
5	105-1853	1	Clamp-Hose	14	3231-22	1	Bolt-Carriage 3/8-16 X 1
6	116-1702	1	Vent Hose ASM	15	104-8301	1	Nut-Nyloc 3/8-16 Flg
7	116-1442	1	Canister-Carbon, 1200Cc	16	116-4464	1	Plug-Port
8	116-2963	1	Hose-Vent, Formed	17	116-6005	1	Retainer-Line, Vapor
9	115-7868	1	Valve-Check, Vacuum				



## Fuel Tank Assembly No. 116-3979 (continued)

<i>Ref.</i>	<i>Part Number</i>	<i>Qty.</i>	<i>Description</i>	<i>Ref.</i>	<i>Part Number</i>	<i>Qty.</i>	<i>Description</i>
2	46-6560	4	Bushing	8	116-2460	1	RH Vent Line Kit (With Grommet)
3	116-2459	1	Fuel Line Kit (With Grommet)	9	116-2461	1	LH Vent Line Kit (With Grommet)
3:1	46-6560	1	Bushing	10	116-2462	1	Rear Vent Line Kit (With Grommet)
4	9107944	5	Screw-Pan	11	1-603770	1	Valve-Fuel
5	3253-17	5	Washer-Lock	12	2412-98	2	Clamp-Hose
6	116-0003	1	Sender-Level, Fuel	13	109-0650	1	Hose-Fuel
6:1	109-9620	1	Gasket-Sender, Fuel				
7	126-1789	1	Cap-Fuel, Ratcheting				

# Engine Assembly



(Refer To Engine Owner's Manual)

## Engine Assembly (continued)

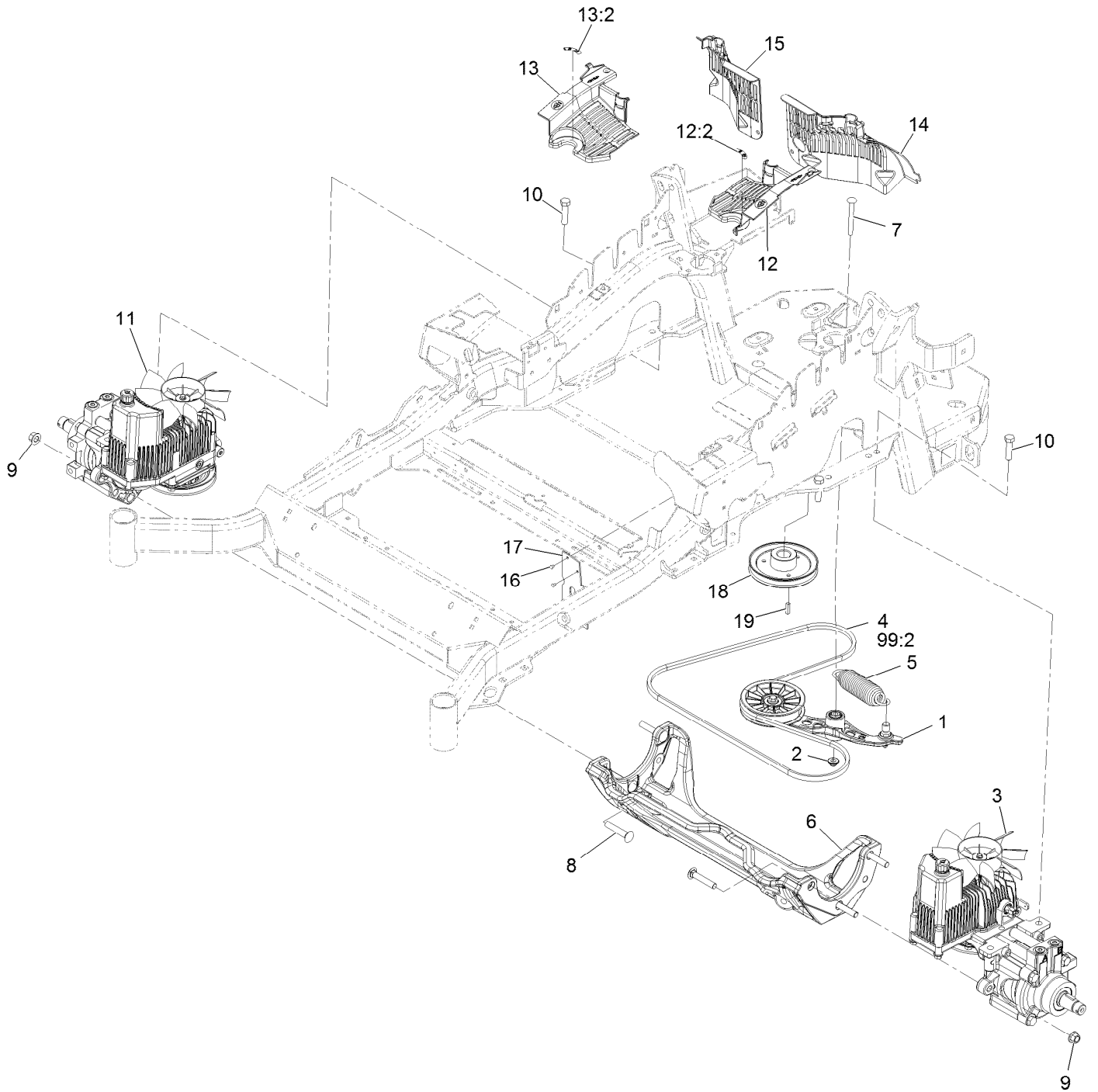
<i>Ref.</i>	<i>Part Number</i>	<i>Qty.</i>	<i>Description</i>	<i>Ref.</i>	<i>Part Number</i>	<i>Qty.</i>	<i>Description</i>
1		1	Engine-Kohler, Ps-Ecv749-3046 ●■	12:2	353-508	1	Plug-W/O-Ring
3	116-1620	1	Clutch Kit	12:2:1	237-42	1	O-Ring
4	109-6919	1	Washer-Clutch	13	3234-5	2	Screw-HH Flg 5/16-18 X 3/4
5	1-603610	2	Washer-Spring Disc 7/16	15	104-8301	1	Nut-Nyloc 3/8-16 Flg
6	109-9761	1	Screw-HH 7/16-20 X 1 1/2 W/Loctite ▲	16	116-2612-01	1	Clutch-Anchor
7	3231-22	1	Bolt-Carriage 3/8-16 X 1	17	94-2413	2	Nut-U
8	116-4297	1	Muffler Bracket Kit	18	117-3893	1	Fuel Line ASM
9	116-2038	1	Muffler	18:1	109-0273	1	Hose-Fuel Line 38 1/4"
10	32144-102	4	Screw-HWH 3/8-16 X 1 1/2 Taptite	18:2	117-3892	1	Sleeve-Thermal
11	98-5975	4	Washer-Spring Disc 3/8	18:3	2412-98	2	Clamp-Hose
12	116-5316	1	Oil Drain Hose ASM	19	116-4295	2	Screw-HH M6-1 X 20Mm W/Patch
				20	1-303435	2	Washer-Spring Disc 1/4

● Not serviced separately

▲ Use Pro-Lock, Nut Type (P/N 1-840022, .5ml tube) on threads.

■ Obtain parts from [www.kohlerplus.com](http://www.kohlerplus.com)

# Hydraulic Assembly

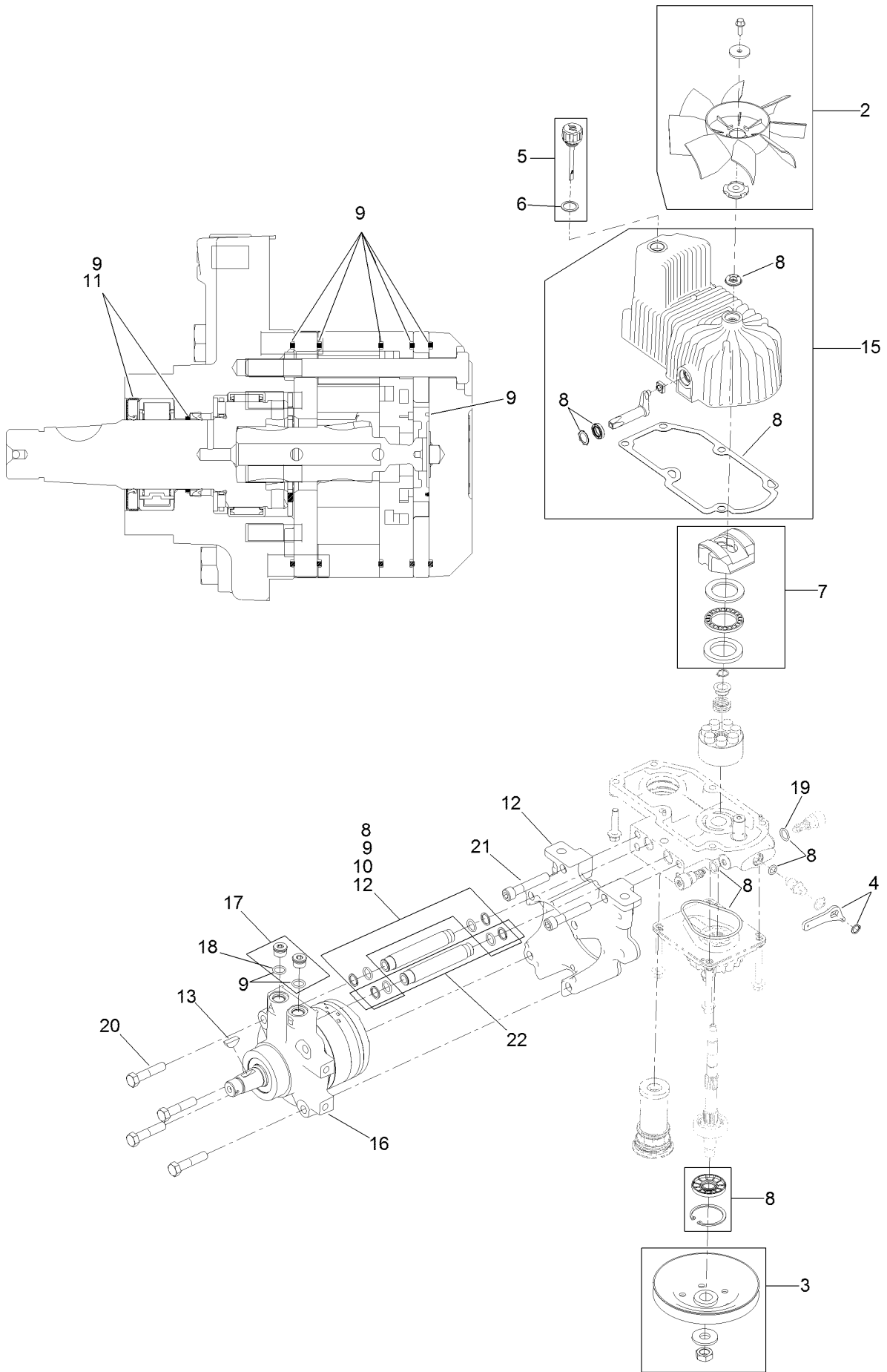


## Hydraulic Assembly (continued)

<i>Ref.</i>	<i>Part Number</i>	<i>Qty.</i>	<i>Description</i>	<i>Ref.</i>	<i>Part Number</i>	<i>Qty.</i>	<i>Description</i>
1	116-1255	1	Pump Idler ASM	13	116-0171	1	RH Hydro Guard ASM
2	109-6658	1	Nut-Nyloc 3/8-16 Flg	13:2	116-8726	1	Decal-Oil, Hydro
3	126-1323	1	LH Hydro ASM (12Cc W/ Shock)	14	109-9057	1	Guard-Hydro, Rear (LH)
4	109-3388	1	Belt	15	109-9058	1	Guard-Hydro, Rear (RH)
5	116-6317	1	Spring-Extension	16	1-803035	2	Rivet 3/16 X 1/4
6	116-7558	1	Cradle-Hydro	17	116-2362	1	Deflector-Air Flow
7	116-1502	1	Bolt-Carriage Shoulder 3/8-16 X 3 1/2	18	109-9905	1	Sheave
8	126-0095	6	Screw-CARR	19	1-807259	1	Key-Machine 1/4 X 1/4 X 1
9	99-5107	6	Nut-Lock 1/2-13	99	109-9828	1	Bottle-Oil, 32Oz Hydraulic ●
10	325-8	4	Screw-HH 1/2-13 X 1 1/4	99	116-0164	1	Filter-Hydro ●
11	126-1324	1	RH Hydro ASM (12Cc W/ Shock)	99	116-1218	1	Bottle,Oil 1 Gallon Hydraulic ●
12	116-0170	1	LH Hydro Guard ASM	99	116-3270	1	Kit, Hydro Service ●
12:2	116-8726	1	Decal-Oil, Hydro	99:1	109-9828	4	Bottle-Oil, 32Oz Hydraulic ●
				99:2	109-3388	1	Belt
				99:3	116-0164	2	Filter-Hydro ●

● Not illustrated

# LH Hydro Assembly No. 126-1323



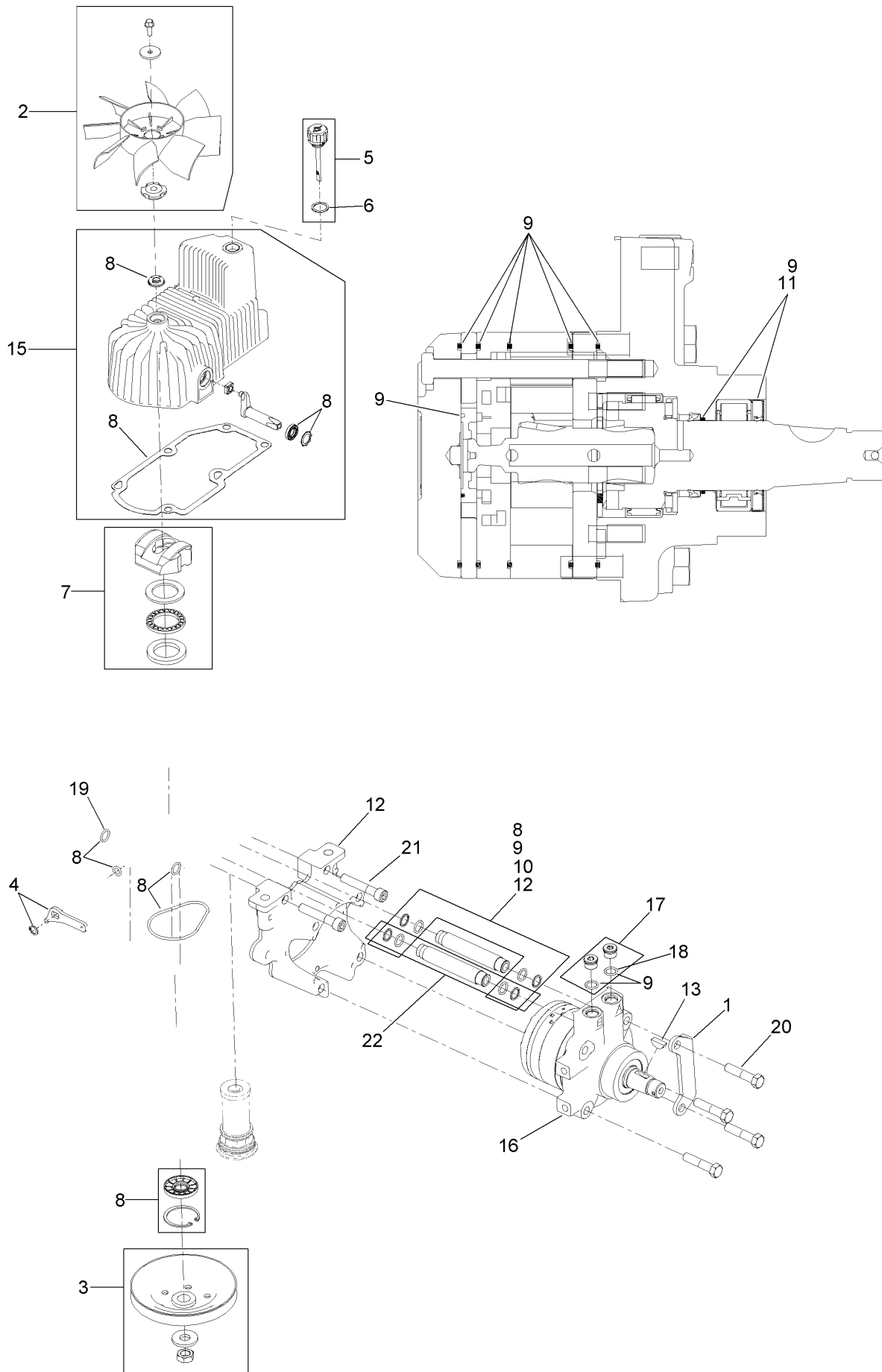


## LH Hydro Assembly No. 126-1323 (continued)

<i>Ref.</i>	<i>Part Number</i>	<i>Qty.</i>	<i>Description</i>	<i>Ref.</i>	<i>Part Number</i>	<i>Qty.</i>	<i>Description</i>
2	116-0233	1	Fan Kit	12	116-5469	1	Nose Cup-Uht
3	116-0234	1	Pulley Kit	13	3257-42	1	Key-Woodruff
4	116-0235	1	Handle-Bypass Valve, Hydro	15	116-3287	1	Housing-LH
5	116-0236	1	Dipstick-Hydro W/Gasket	16	116-8915	1	Motor-Hydraulic LH 240Cc
6	116-0237	1	Gasket-Dipstick, Hydro	17	116-7901	1	Magnetic Plugs Service Kit
7	116-1367	1	Swash Block Kit	18	76-1900	2	O-Ring
8	116-1368	1	Pump Seal Kit	19	116-8662	2	O-Ring-Check Valve
9	116-1369	1	Motor Seal Kit	20	116-8974	4	Screw HH
10	116-1370	1	Tube Seal Kit	21	116-8975	2	Screw-HSH
11	116-1371	1	Output Shaft Seal Kit	22	116-9922	2	Hydraulic Tube Kit
				99	116-1373	1	Flow Test Kit ●

● Not illustrated

# RH Hydro Assembly No. 126-1324



## RH Hydro Assembly No. 126-1324 (continued)

<i>Ref.</i>	<i>Part Number</i>	<i>Qty.</i>	<i>Description</i>	<i>Ref.</i>	<i>Part Number</i>	<i>Qty.</i>	<i>Description</i>
1	116-9063	1	Mount-Shoe, Horse	12	116-5469	1	Nose Cup-Uht
2	116-0233	1	Fan Kit	13	3257-42	1	Key-Woodruff
3	116-0234	1	Pulley Kit	15	116-3288	1	Housing-RH
4	116-0235	1	Handle-Bypass Valve, Hydro	16	116-8916	1	Motor-Hydraulic RH 240Cc
5	116-0236	1	Dipstick-Hydro W/Gasket	17	116-7901	1	Magnetic Plugs Service Kit
6	116-0237	1	Gasket-Dipstick, Hydro	18	76-1900	2	O-Ring
7	116-1367	1	Swash Block Kit	19	116-8662	2	O-Ring-Check Valve
8	116-1368	1	Pump Seal Kit	20	116-8974	4	Screw HH
9	116-1369	1	Motor Seal Kit	21	116-8975	2	Screw-HSH
10	116-1370	1	Tube Seal Kit	22	116-9922	2	Hydraulic Tube Kit
11	116-1371	1	Output Shaft Seal Kit	99	116-1373	1	Flow Test Kit ●

● Not illustrated

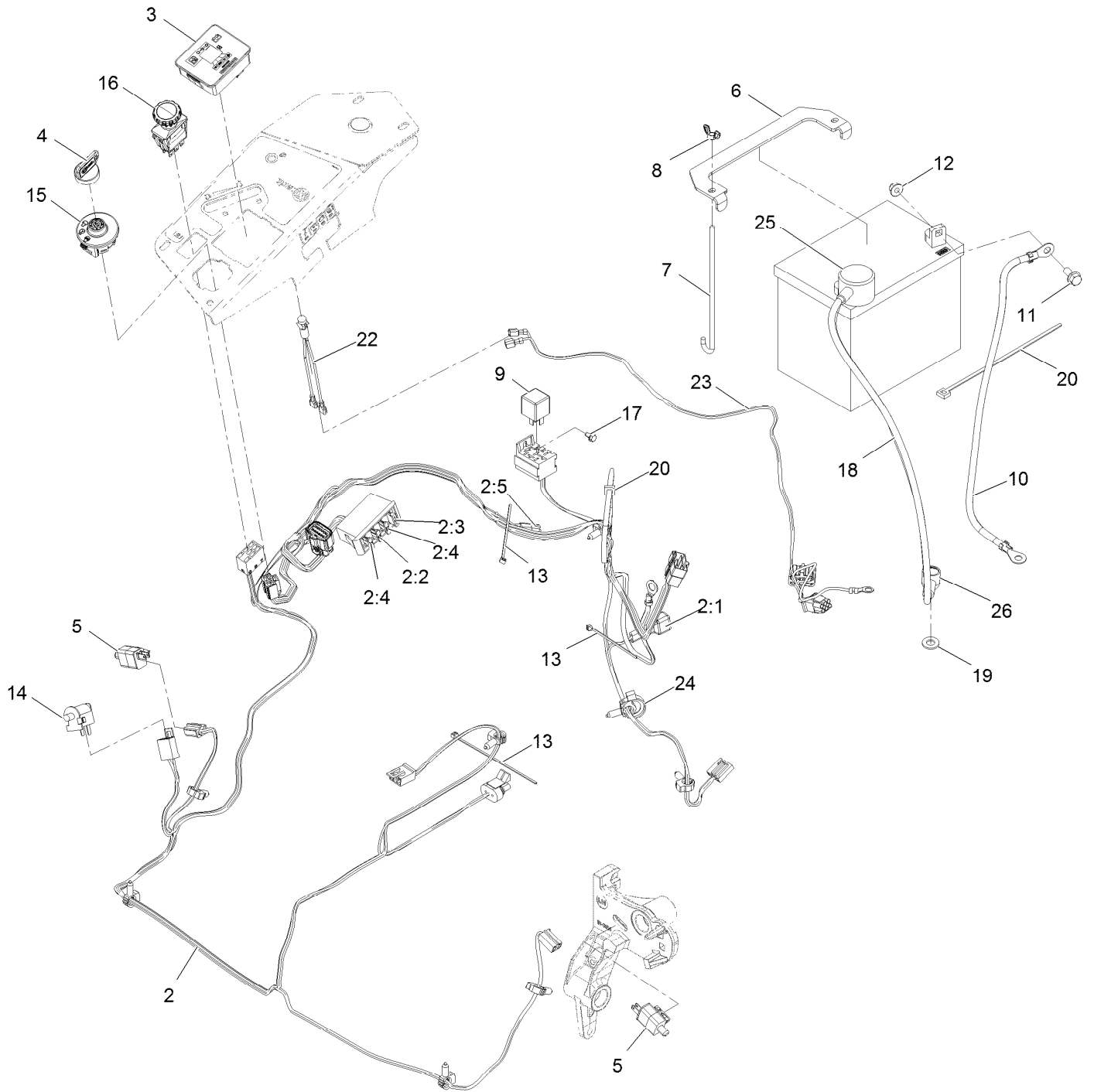
# Pump Idler Assembly No. 116-1255



## Pump Idler Assembly No. 116-1255 (continued)

<i>Ref.</i>	<i>Part Number</i>	<i>Qty.</i>	<i>Description</i>	<i>Ref.</i>	<i>Part Number</i>	<i>Qty.</i>	<i>Description</i>
2	43-0940	1	Spacer	8	323-8	1	Screw-HH
3	103-3504	2	Bearing-Spherical	9	32120-10	2	Ring-Snap
4	103-3505	1	Seal-Double Lip	10	302-19	1	Fitting-Grease
5	103-3506	1	Seal-Lip, Single	11	109-8076	1	Pulley-Idler
6	109-6658	1	Nut-Flange, NI	12	116-3467	1	Pin-Spring, Anchor
7	106-7159	2	O-Ring				

# Electrical Assembly



## Electrical Assembly (continued)

<i>Ref.</i>	<i>Part Number</i>	<i>Qty.</i>	<i>Description</i>	<i>Ref.</i>	<i>Part Number</i>	<i>Qty.</i>	<i>Description</i>
2	116-6009	1	Harness-Wire, Main ●	11	3234-5	2	Screw-HH Flg 5/16-18 X 3/4
2:1	103-3895	1	Diode	12	104-8300	2	Nut-Nyloc 5/16-18 Flg
2:2	218-578	1	Fuse-Blade, 10 Amp	13	1-303287	3	Tie-Cable 5 1/2 (Small)
2:3	109355	1	Fuse-Blade, 15 Amp	14	82-2190	1	Switch
2:4	109102	2	Fuse-Blade, 25 Amp	15	117-2221	1	Switch-Ignition
2:5	116-0053	1	Cap-Plug	16	116-0124	1	Switch-PTO, 10A
3	117-3882	1	Fuel/Hour Meter ASM	17	104-2065	1	Screw-HWH #10-24 X 3/8
4	1-603511	1	Key-Ignition	18	115-3864	1	Cable-Battery, Positive
4	103-2106	1	Key-Exmark Logo	19	3256-24	1	Washer-3/8 Sae
5	110-6765	2	Switch	20	1-303335	2	Tie-Cable 7 15/16 (Large)
6	116-0042-03	1	Strap-Tie Down, Battery	22	1-643267	1	Indicator-Red Led
7	1-633651	2	Bolt-Holddown	23	116-3062	1	Harness-Light, Indicator
8	1-543792	2	Wingnut-Nyloc 1/4-20	24	105-1853	1	Clamp-Hose
9	1-643275	1	Relay-12Vdc 40 Amp	25	109-2407	1	Insulator-Battery
10	114-1218	1	Cable-Battery, Negative	26	1-543393	1	Insulator-Solenoid

● Use dielectric grease on all unsealed connectors and terminals only. Do not apply in sealed connectors.

**Notes:**



**Notes:**

**Notes:**



# MAXIMIZE THE PERFORMANCE OF YOUR EXMARK MACHINE.



## EXMARK® PREMIUM ENGINE OIL

Exmark now offers a family of engine oil viscosities to perform well in any environment. Each viscosity has the same synthetic formulation to give you what you need in punishing conditions. We designed each grade to the highest quality, making it ideal even for diesel applications. Coupled with Exmark Premium Fuel Treatment, we have the performance products to make your machine hum.

### EXMARK PREMIUM ENGINE OIL SAE 30/10W-30

- Meets zero shear requirements of a straight grade SAE 30 as well as the cold temp properties of a 10W-30.
- Most versatile oil in the industry.
- Superior corrosion protection over conventional oil - even in corrosive, humid environments.

### EXMARK PREMIUM ENGINE OIL SAE 20W-50

- Perfect for your big block engine, or any application in severe service.
- Same full synthetic formulation as all other Exmark Premium viscosities.
- Also effective for use in severe service small block engines.

### EXMARK PREMIUM ENGINE OIL SAE 10W-50

- Full synthetic formulation gives you peak performance. Don't settle for less.
- Wide span multi-grade combines easy starting in cold weather with maximum protection in high temperature operation.
- Reduce friction & wear over standard mineral formulations.

### EXMARK PREMIUM ENGINE OIL SAE 0W-40

- The perfect choice for when the weather turns cold or unpredictable, and your Exmark UTV has to perform.
- Commercial quality for severe service.
- Advanced additive package helps prevent corrosion from long-term storage.

### EXMARK PREMIUM ENGINE OIL UTV FORMULATION

- 4-cycle high-temp formulation.
- Heavier viscosity, full synthetic, perfect for your UTV.

### EXMARK PREMIUM UTV EXTREME CONDITIONS GEAR OIL

- SAE 80W-90, designed to keep your UTV performing at its peak.
- Shear stable, hypoid gear lube.
- Includes a premium additive system to combat wear, oxidation, rust & corrosion.

**Available from your local Exmark dealer. Find your closest dealer at [exmark.com](http://exmark.com)**

## EXMARK ACCESSORIES AND OPTIONS\*

### MID-MOUNT RIDING ACCESSORIES AND OPTIONS

CUSTOM RIDE SEAT SUSPENSION SYSTEM	OPERATOR CONTROLLED DISCHARGE
FULL SUSPENSION SEAT	SUN SHADE
DECK LIFT ASSIST KIT	TRASH CONTAINER
HITCH KIT	TURF STRIPER
LIGHT KIT	ULTRA VAC COLLECTION SYSTEM
12V POWER PORT	ULTRA VAC QUICK DISPOSAL SYSTEM
MICRO-MULCH SYSTEM	

### OUT-FRONT RIDING ACCESSORIES AND OPTIONS

CUSTOM RIDE SEAT SUSPENSION SYSTEM	SNOW BLADE
DUAL-TAIL WHEEL	SNOWBLOWER
FLOOR PAN EXTENDER	SUN SHADE
HITCH KIT	TRASH CONTAINER
LIGHT KIT	ULTRA VAC COLLECTION SYSTEM
MICRO-MULCH SYSTEM	ULTRA VAC QUICK DISPOSAL SYSTEM
ROLL OVER PROTECTION SYSTEM (ROPS)	WEATHER CAB

### WALK-BEHIND ACCESSORIES AND OPTIONS

GRASS CATCHER	TURF STRIPER
MICRO-MULCH SYSTEM	STANDON

\*Some accessories and options not available for some models.

Place Model No. and Serial No.  
Label Here (Included in the Literature  
Pack) or Fill in Below

Model No. \_\_\_\_\_

Serial No. \_\_\_\_\_

Date Purchased \_\_\_\_\_

Engine Model No. and Spec. No. \_\_\_\_\_

Engine Serial No. (E/No) \_\_\_\_\_

© 2015 Exmark Mfg. Co., Inc.  
Industrial Park Box 808  
Beatrice, NE 68310  
All Rights Reserved

Part No. 4502-695 Rev. A  
(402) 223-6300  
Fax (402) 223-5489  
Printed in the USA.

