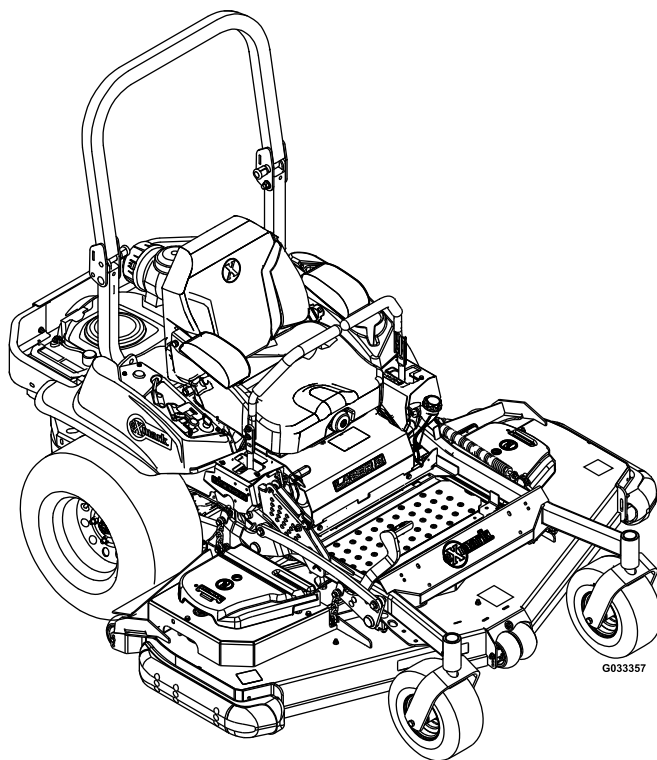




LAZER Z[®] E-SERIES

Model No. LZE801GKA60RA1—Serial No. 31600000 and Up

Picture below may not reflect actual product.



Parts Manual

Ordering Replacement Parts

To order replacement parts, please supply the part number, the quantity, and the description of each part desired.

Understanding Reference Numbers

Each identified part in an illustration has a reference number. The reference number for a part also appears in the parts list, along with other information about the part.

This catalog uses two special reference number formats, one to indicate parts in a service assembly and another to indicate the quantity of a given part in an illustration.

Service Assembly Reference Numbers

Parts in service assemblies have reference numbers in the form a:b. The a represents the reference number of the entire service assembly and the b represents a sequential number unique to each part within the service assembly.

For example, a wheel assembly might be identified by reference number 6, the tire by 6:1, the valve by 6:2, and the wheel by 6:3. When you order the assembly identified by reference number 6, you receive all parts identified by reference numbers 6:1, 6:2, and 6:3. However, you may also order any part individually. Reference numbers of this type appear in illustration and in parts lists.

Reference Numbers Indicating Quantity

In an illustration, if a reference number indicates more than one part, the reference number has the form nX y. The n represents the quantity of the part, the X is the multiplication symbol, and the y represents the reference number.

For example, in an illustration, the reference number 2X 37 means that two of the parts identified by reference number 37 are indicated.

List of Abbreviations

AR: as required	HLH: hex lag head	PTH: phillips truss head
ASM: assembly	HOC: height-of-cut	PTO: power-take-off
BBC: blade brake control	HP: high pressure	RH: right hand
BHTF: button head thread forming	HSBH: hex socket button head	ROPS: roll-over protection system
CARR: carriage	HSFH: hex socket flat head	RRB: rear roller brush
CCW: counter clockwise	HSH: hex socket head	SFH: slotted fillister head
CW: clockwise	HWH: hex washer head	SHH: slotted hex head
DEG: degrees	HWHTF: hex washer head thread forming	SHWH: slotted hex washer head
DPA: Dual Point Adjustment	HYD: hydraulic	SPH: slotted pan head
ECM: electronic control module	LH: left hand	SQH: square head
EXT: external	LP: low pressure	SRH: slotted round head
FH: flat head	LPG: Liquefied Petroleum Gas	STD: standard
GA: gauge	NI: nylon insert	TAP: self tapping
HD: heavy-duty	NPTF: national pipe thread fine	TTH: torx truss head
HF: hex flange	PFH: phillips flat head	
HH: hex head	PPH: phillips pan head	
HHF: hex head flange	PPHTF: phillips pan head thread forming	
HHFTF: hex head flange thread forming	PRH: phillips round head	
HJ: hex jam		

Touch Up Paint

Exmark black touch up spray paint – gloss black.

Exmark red touch up paint (spray paint – P/N 1-850337 - .6 oz liquid bottle – P/N 103-9140).

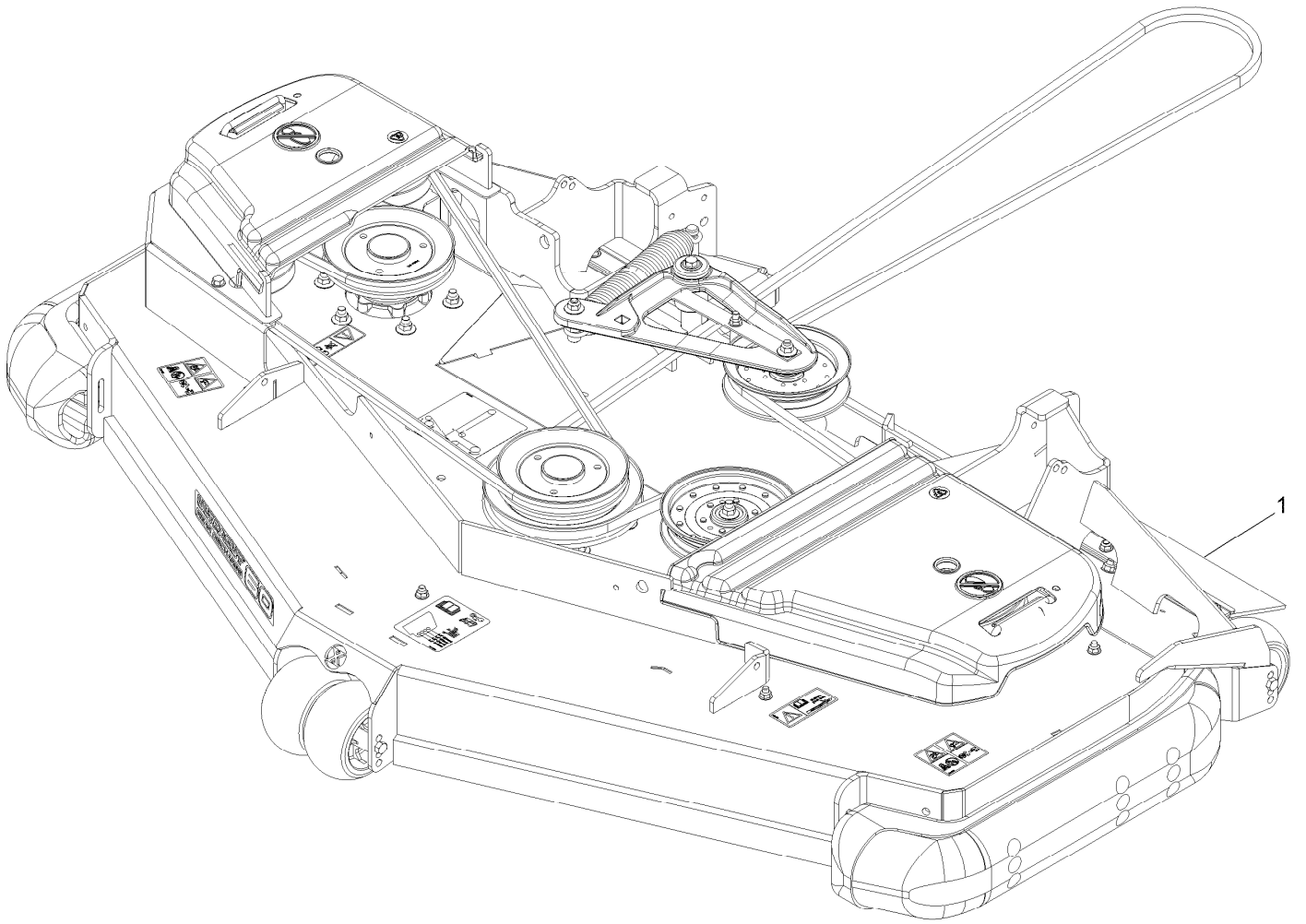


If your Exmark dealer does not have the Exmark part in stock, Exmark will get the parts to the dealer the next business day or the part will be FREE Guaranteed!! (Some restrictions apply. See your participating Exmark Dealer for details.)

Contents

Complete Deck Assembly	4
Deck Assembly	6
Deck W/Decals Assembly No. 116-9839	8
Idler Assembly No. 126-0853	10
Deck Idler Assembly No. 126-1720	12
Rear Discharge Tunnel Assembly	14
Discharge Tunnel Assembly No. 126-4930	16
Main Frame Assembly	18
E-Series Decal	20
Roll-Over Protection System	22
Roll-Over Protection System Assembly No. 116-2882	24
Front Caster and Fork Assembly	26
Caster Wheel and Fork Assembly	28
Deck Lift Assembly	30
Height-of-Cut Assembly No. 109-7438	32
Control Assembly	34
Motion Control Assembly	36
Rear Wheel Assembly	38
Park Brake Assembly	40
Seat Assembly	42
Seat W/Tracks Assembly No. 116-8912	44
Fuel Tank Mounting Assembly	46
Fuel Tank Assembly No. 116-3978	48
Engine Assembly	50
Hydraulic Assembly	52
LH Hydro Assembly No. 126-1323	54
RH Hydro Assembly No. 126-1324	56
Pump Idler Assembly No. 116-1255	58
Electrical Assembly	60

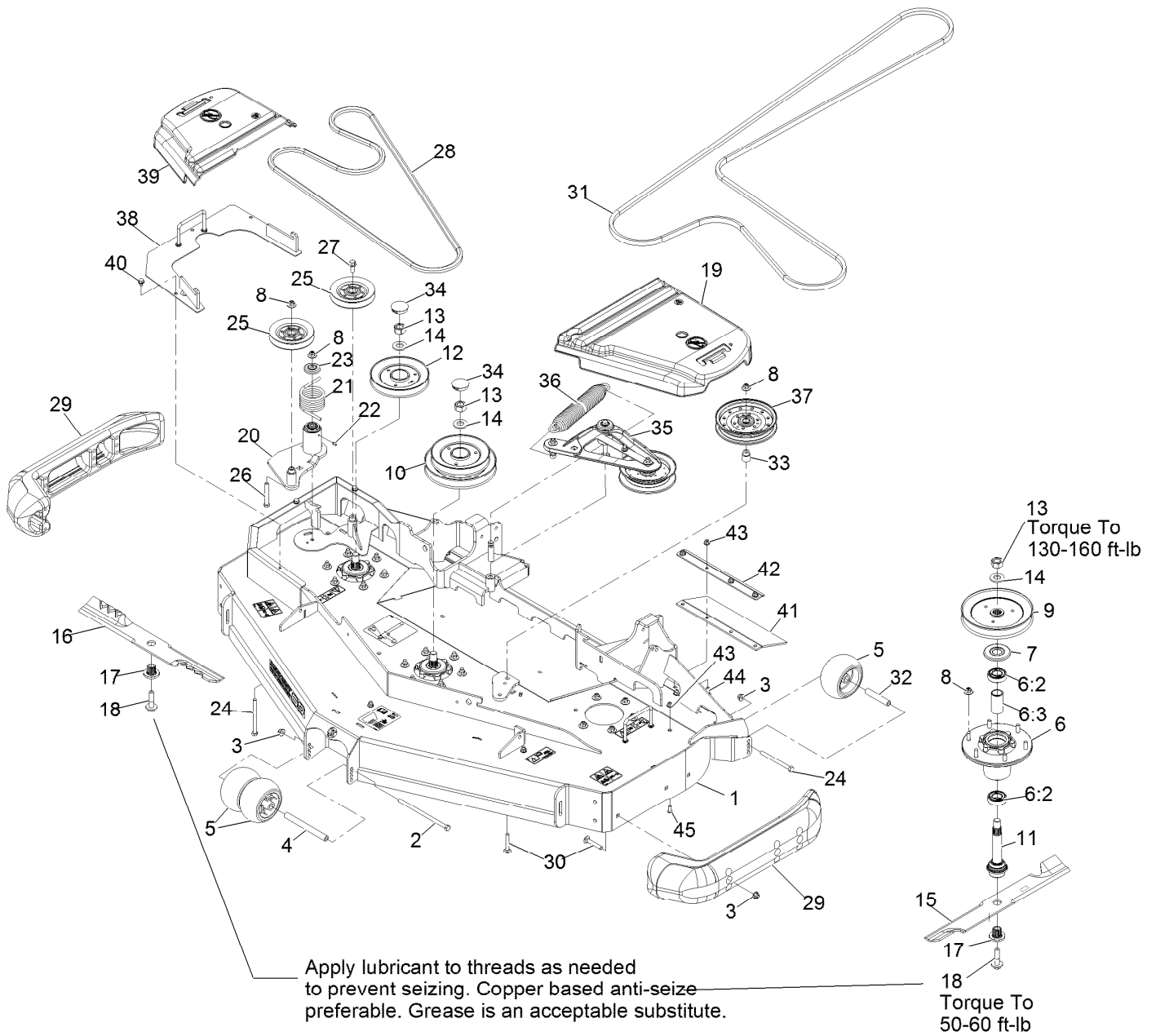
Complete Deck Assembly



Complete Deck Assembly (continued)

<i>Ref.</i>	<i>Part Number</i>	<i>Qty.</i>	<i>Description</i>
1	126-0376	1	ASM-Deck Complete Rd60 Nlz

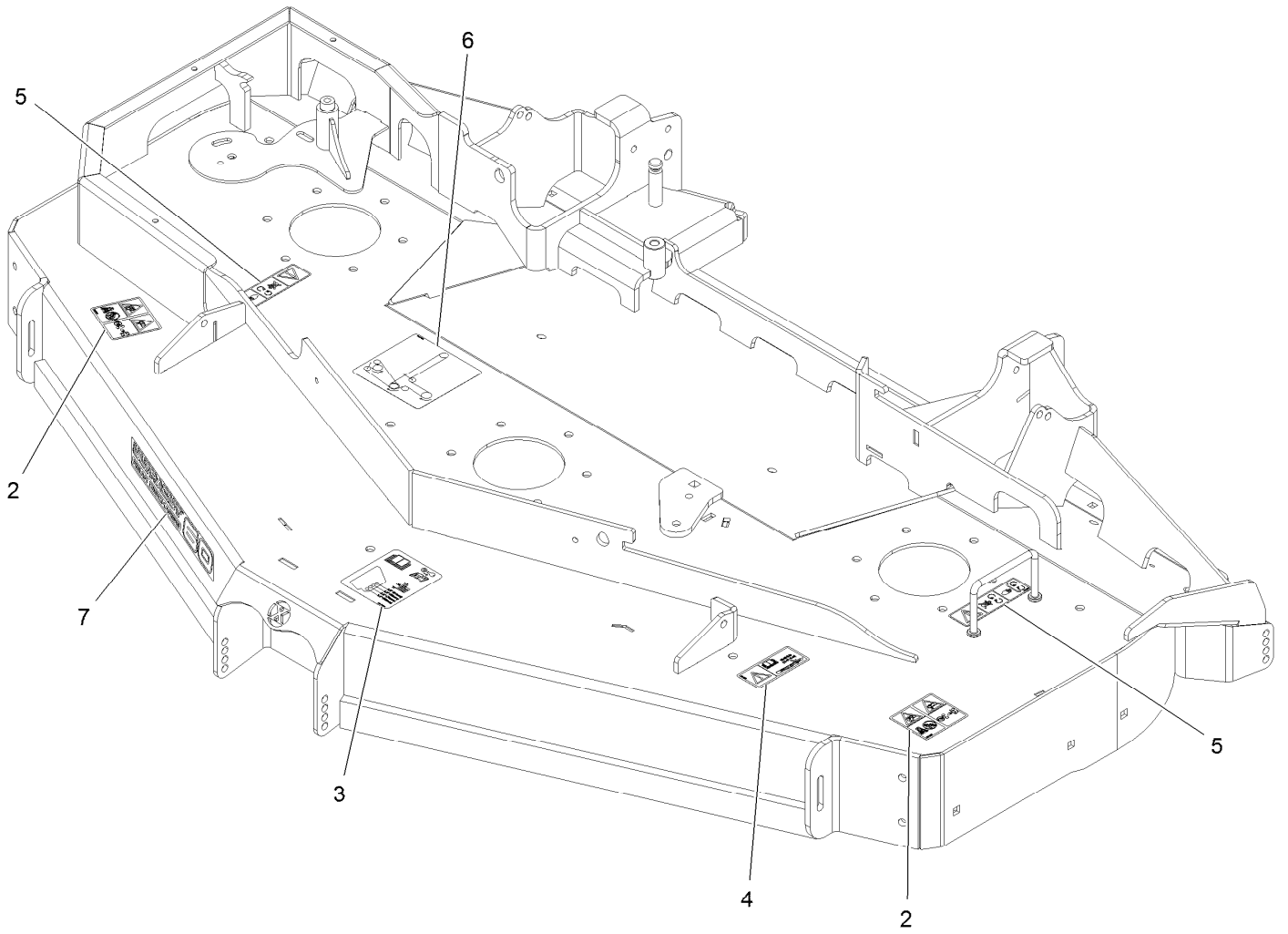
Deck Assembly



Deck Assembly (continued)

<i>Ref.</i>	<i>Part Number</i>	<i>Qty.</i>	<i>Description</i>	<i>Ref.</i>	<i>Part Number</i>	<i>Qty.</i>	<i>Description</i>
1	116-9839	1	Deck-Rd60 Nlz, W/Decals	20	126-0853	1	Idler ASM
2	108-5388	1	Screw-HH	21	108-1921	1	Spring-Torsion
3	104-8301	9	Nut-Nyloc 3/8-16 Flg	22	302-19	1	Zerk-1/4-28 Str
4	98-5967	1	Spacer-Wheel	23	103-2916	1	Guard-Top
5	1-603299	4	Roller-Scalp, Anti	24	323-23	3	Screw-HH 3/8-16 X 4-1/2
6	116-3344	3	ASM-Cutter Hsg With Bearings	25	126-1478	2	Sheave
6:2	116-0720	2	Bearing-Ball	26	323-13	1	Screw-HH 3/8-16 X 2 3/4
6:3	116-3312	1	Spacer-Bearing	27	3234-11	1	Screw-HH Flg 3/8-16 X 1
7	116-1286	3	Guard,Bearing Top .989	28	116-8187	1	Belt
8	109-6658	21	Nut-Nyloc 3/8-16 Flg	29	112-1479	2	Skid-Bumper, Deck
9	116-0676	1	Sheave,Blade Drive 7.25	30	3231-7	7	Bolt-Carriage 3/8-16 X 2 1/4
10	126-0352	1	Sheave, Double 60Rd	31	125-9371	1	Belt
11	116-3341	3	ASM-Spindle And Seal	32	98-7912	2	Tube-Spanner
12	126-0354	1	Sheave-Rd Rev Drive Series 4	33	1-633456	1	Bushing, Idler
13	116-7306	3	Nut-Hex	34	116-2253	2	Plug,Black Nylon 1.75
14	103-2802	3	Washer-Spring Disc 3/4	35	126-1720	1	Deck Idler ASM
15	103-6388	2	Blade, Low Lift	36	116-6317	1	Spring-Extension
15	103-6403	2	Blade, Notched	37	116-4670	1	Pulley-Idler, Flat
15	116-5174	2	Blade-Extreme 2, 20.50"	38	116-8195-01	1	Cover-Drive Reverse
16	116-8196	1	Blade-Low Lift 20.5, Rd60	39	116-8190	1	Cover-Belt, RH
16	116-8181	1	Blade-Extreme 2-20.50, Rd60	40	9266934	3	Screw-HWH 5/16 X 1/2 Tf
17	103-3037	3	Bushing, Splined	41	116-8191	2	Guard-Tire
18	109-9220	3	Screw-Sems 1/2-20 X 2.19	42	126-0413-01	2	Support-Outer Flap
19	109-6938	1	Cover-Belt, LH	43	104-8300	14	Nut-Nyloc 5/16-18 Flg
				44	3230-16	8	Bolt-Carriage 5/16-18 X 7/8
				45	3274-55	6	Screw-Button Head 5/16-18 X 3/4

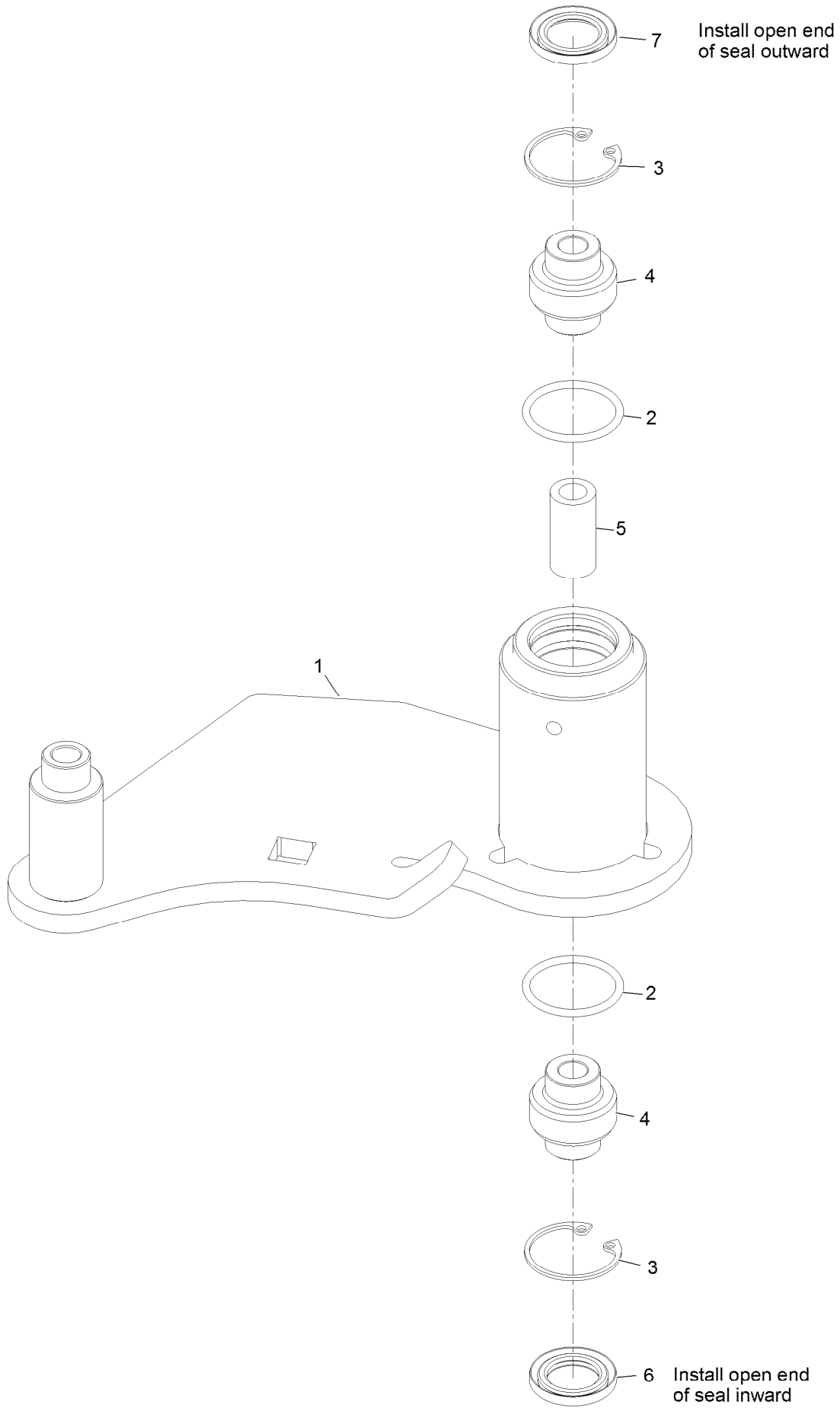
Deck W/Decals Assembly No. 116-9839



Deck W/Decals Assembly No. 116-9839 (continued)

<i>Ref.</i>	<i>Part Number</i>	<i>Qty.</i>	<i>Description</i>	<i>Ref.</i>	<i>Part Number</i>	<i>Qty.</i>	<i>Description</i>
2	126-6599	2	Decal-Danger Thrown Obj	5	112-9028	2	Decal-Missing, Cover
3	109-6036	1	Decal-Roller, Anti-Scalp	6	126-0768	1	Decal-Belt Routing Nlz Rd
4	116-8283	1	Decal-Bolt Torque	7	126-6596	1	Decal, 60Rd

Idler Assembly No. 126-0853



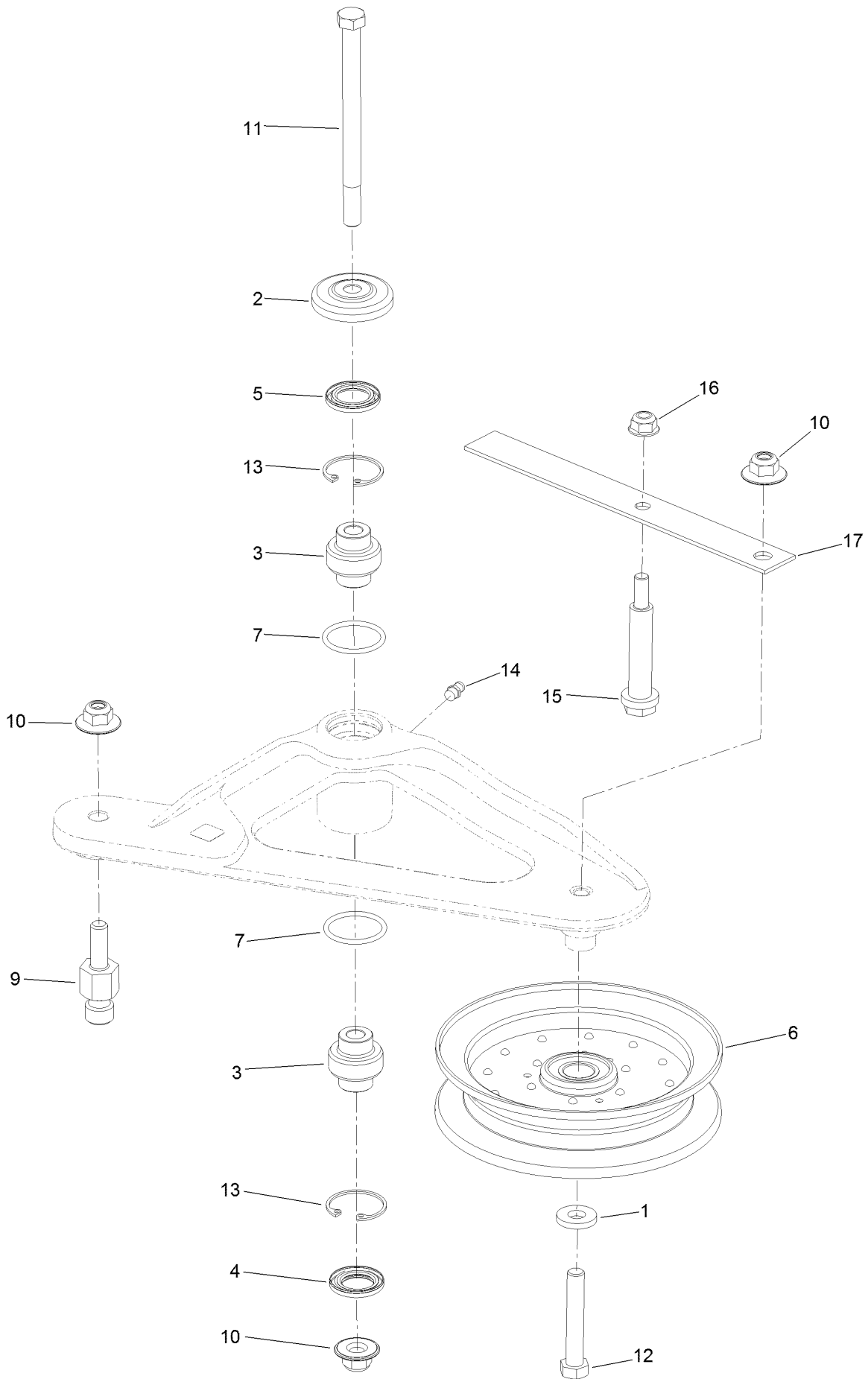
Idler Assembly No. 126-0853 (continued)

<i>Ref.</i>	<i>Part Number</i>	<i>Qty.</i>	<i>Description</i>
1		1	Deck Idler [red] ●
2	106-7159	2	O-Ring
3	32120-10	2	Ring-Retaining
4	103-3504	2	Bearing-Spherical

<i>Ref.</i>	<i>Part Number</i>	<i>Qty.</i>	<i>Description</i>
5	108-6544	1	Spacer
6	103-3505	1	Seal-Double Lip
7	103-3506	1	Seal-Single Lip

● Not serviced separately

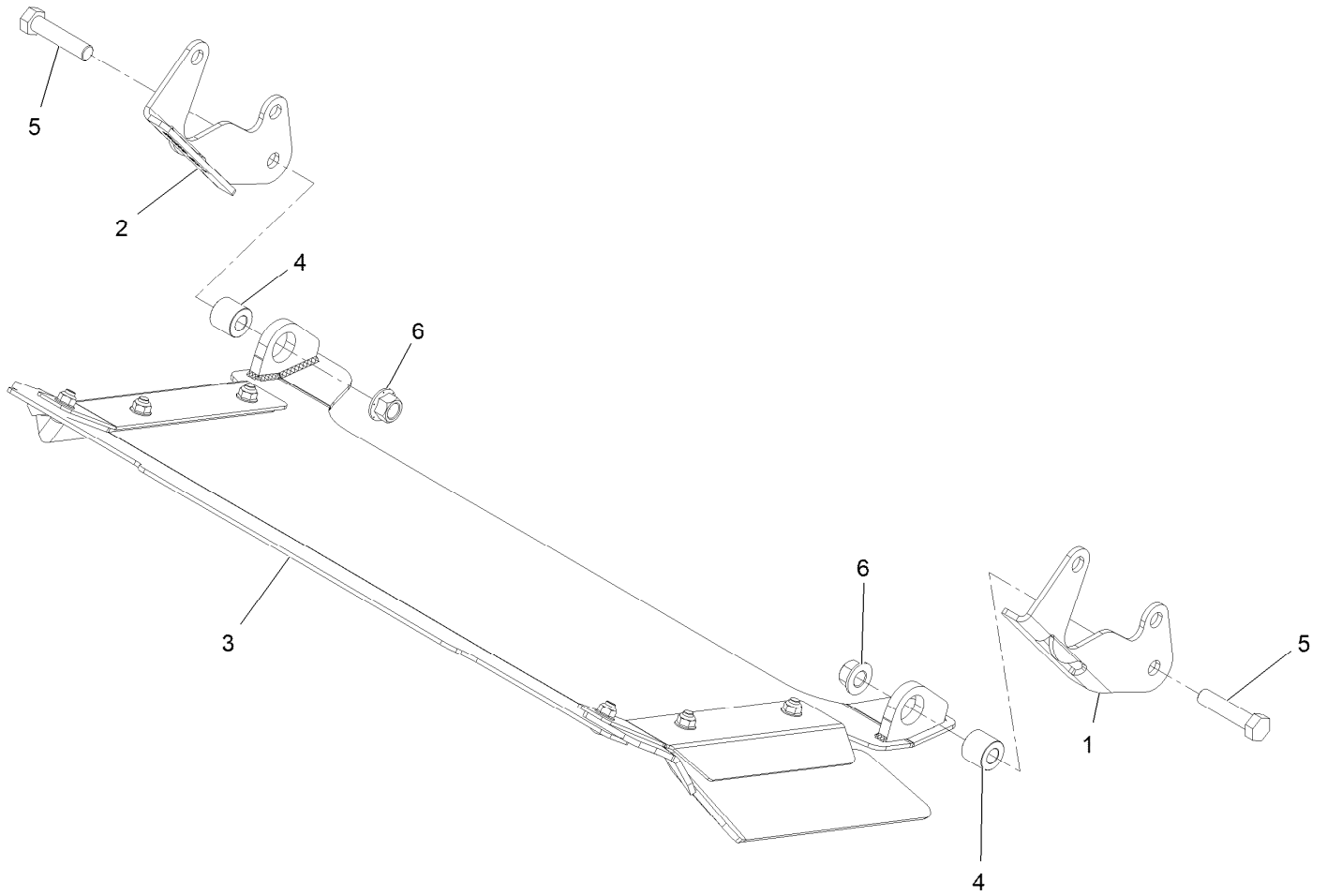
Deck Idler Assembly No. 126-1720



Deck Idler Assembly No. 126-1720 (continued)

<i>Ref.</i>	<i>Part Number</i>	<i>Qty.</i>	<i>Description</i>	<i>Ref.</i>	<i>Part Number</i>	<i>Qty.</i>	<i>Description</i>
1	43-0940	1	Spacer	10	109-6658	2	Nut-Flange, NI
2	103-2916	1	Guard-Top	11	109-7409	1	Screw-Shoulder, HH
3	103-3504	2	Bearing-Spherical	12	104-3396	1	Screw-HH
4	103-3505	1	Seal-Double Lip	13	32120-10	2	Ring-Snap
5	103-3506	1	Seal-Lip, Single	14	302-19	1	Fitting-Grease
6	116-4668	1	Idler-Pulley, Flanged	15	88-4590	1	Bolt-Shoulder
7	106-7159	2	O-Ring	16	104-8300	1	Nut-Flange, NI
9	126-0423	1	Pin-Spring, Anchor	17	126-1704	1	Spring-Belt Guide Leaf

Rear Discharge Tunnel Assembly

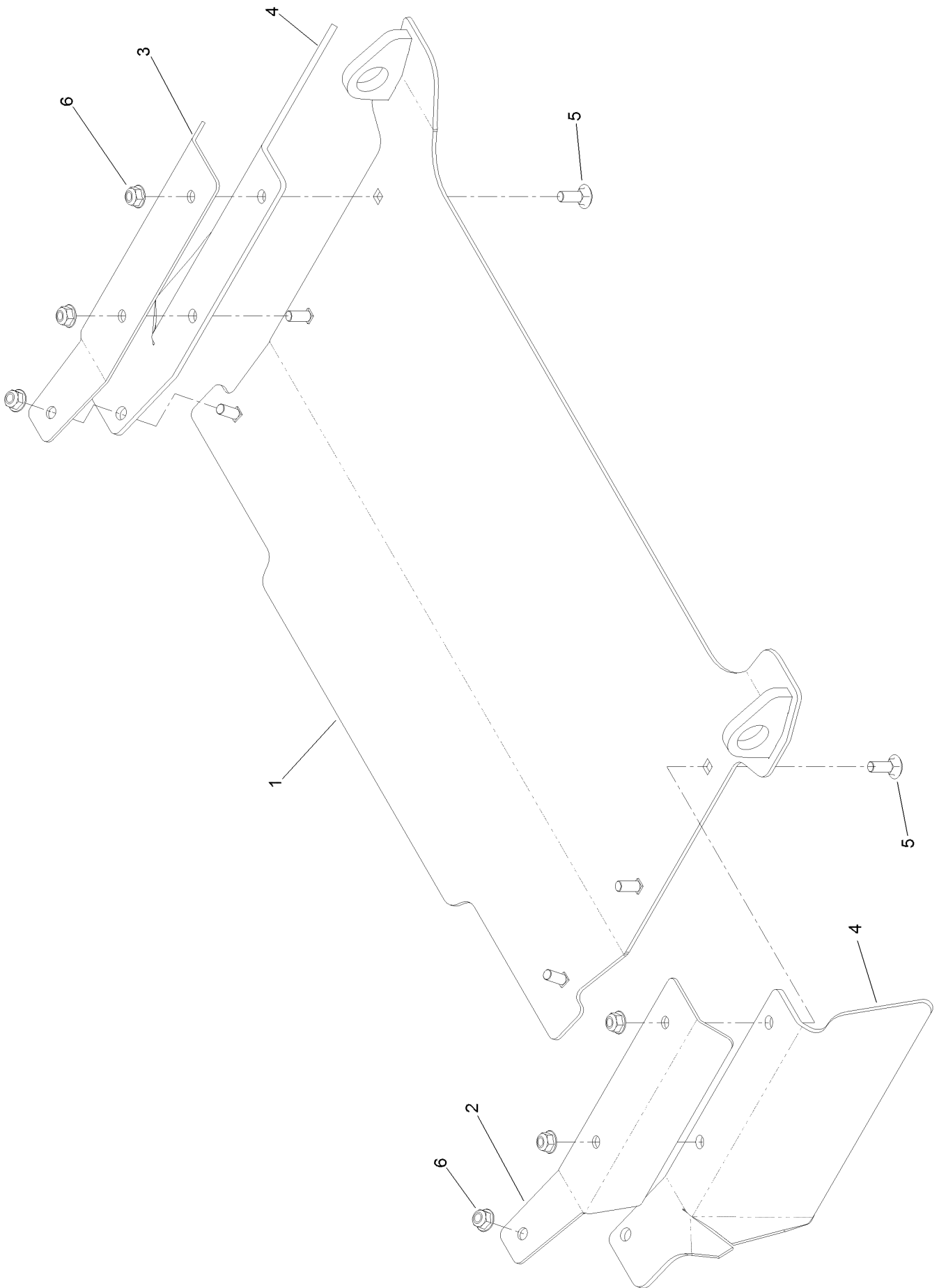


Rear Discharge Tunnel Assembly (continued)

<i>Ref.</i>	<i>Part Number</i>	<i>Qty.</i>	<i>Description</i>
1	125-9369-03	1	Bracket-Discharge Mount, LH
2	125-9370-03	1	Bracket-Discharge Mount, RH

<i>Ref.</i>	<i>Part Number</i>	<i>Qty.</i>	<i>Description</i>
3	126-4930	1	Discharge Tunnel ASM
4	126-1705	2	Bushing-Sleeve
5	325-9	2	Screw-HH 1/2-13 X 2 1/4
6	99-5107	2	Nut-Lock 1/2-13

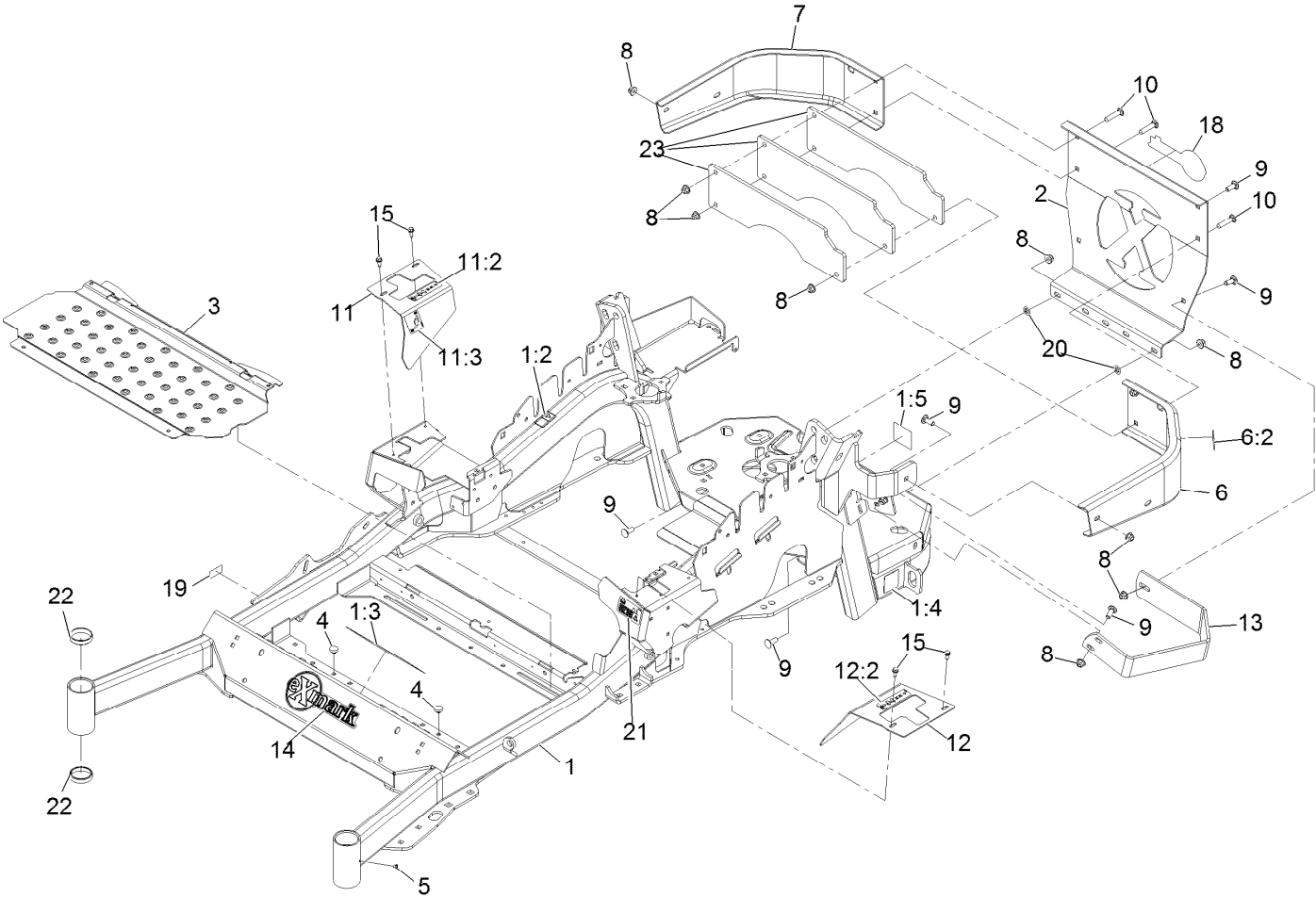
Discharge Tunnel Assembly No. 126-4930



Discharge Tunnel Assembly No. 126-4930 (continued)

<i>Ref.</i>	<i>Part Number</i>	<i>Qty.</i>	<i>Description</i>	<i>Ref.</i>	<i>Part Number</i>	<i>Qty.</i>	<i>Description</i>
1	126-4929-03	1	Discharge Tunnel ASM	4	125-9368	2	Flap-Rubber
2	125-9366-03	1	Bracket-Flap, LH	5	3230-16	6	Screw-CARR
3	125-9367-03	1	Bracket-Flap, RH	6	104-8300	6	Nut-Flange, NI

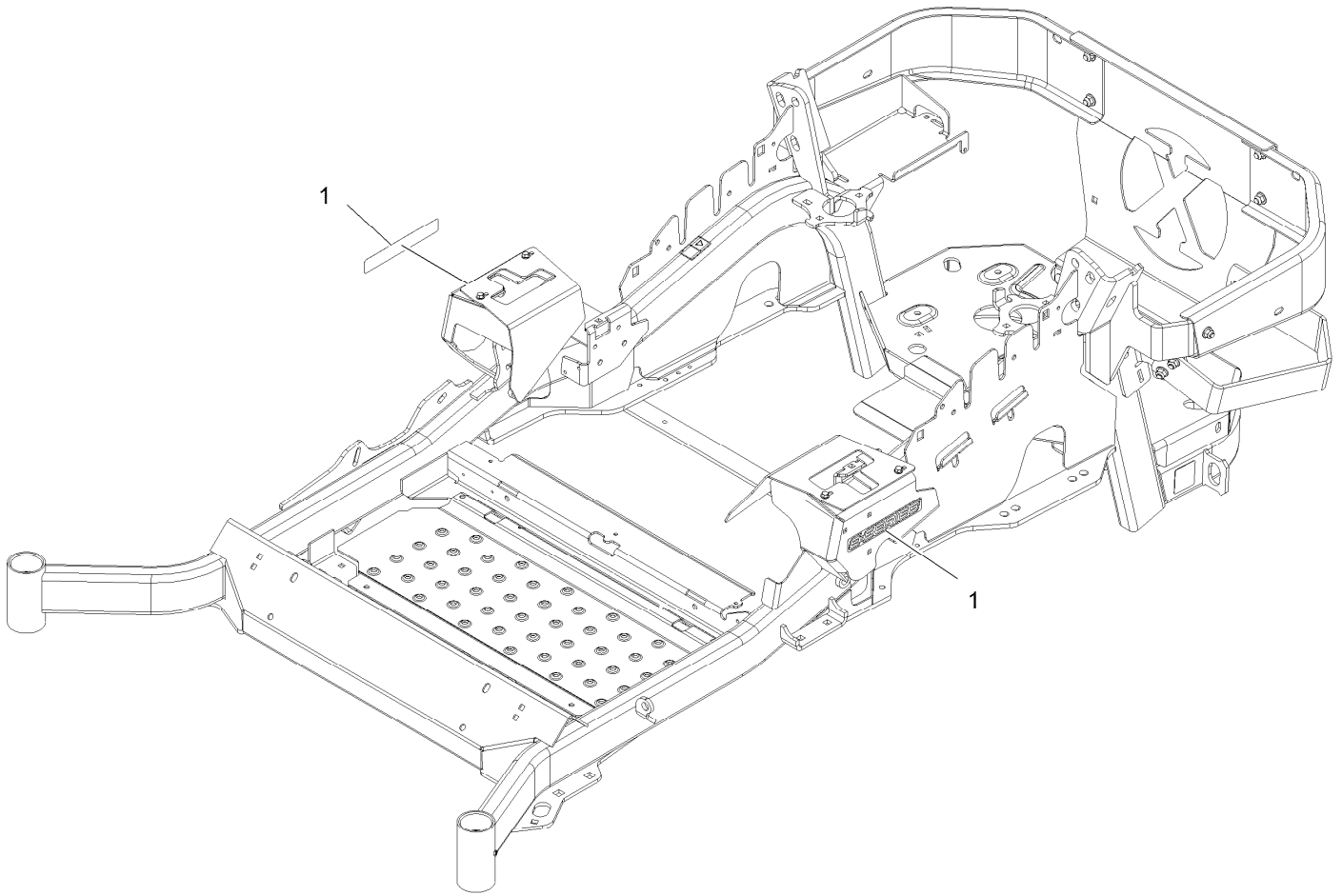
Main Frame Assembly



Main Frame Assembly (continued)

<i>Ref.</i>	<i>Part Number</i>	<i>Qty.</i>	<i>Description</i>	<i>Ref.</i>	<i>Part Number</i>	<i>Qty.</i>	<i>Description</i>
1	126-7089	1	Mainframe ASM, Rd W/Decals	11	116-5899	1	RH Motion Control Cover ASM
1:2	106-5517	2	Decal-Warning, Hot Surface	11:2	99-8936	1	Decal-Control, Motion
1:3	132-0871	1	Decal-Danger	11:3	116-5988	1	Decal-Park Brake, Ce
1:4	106-2655	2	Decal-Hazard, Pinched Finger	12	116-0580	1	LH Motion Control Cover ASM
1:5	116-4858	1	Decal-Spark Arrester	12:2	99-8936	1	Decal-Control, Motion
2	109-8863-03	1	Plate,Rear Guard	13	126-2067-03	1	Guard-Muffler
3	116-8898-01	1	Floorpan	14	126-6969	1	Decal-Exmark Logo
4	1-513658	2	Bumper	15	32144-10	4	Screw-HWH 1/4-20 X .62
5	1-811010	2	Plug	18	126-6965	1	Decal-Exmark Logo
6	116-0180	1	LH Bumper ASM	19	126-4345	1	Decal-Patent Ttco.Com
6:2	106-5517	1	Decal-Warning, Hot Surface	20	107-3154	2	Nut-Push 3/8-16
7	116-0057-03	1	Bumper-RH	21	117-3864	1	Decal-Fuel Fill, Ce
8	104-8301	11	Nut-Nyloc 3/8-16 Flg	22	1-543508	4	Cup-Bearing Tapered Roller
9	3231-22	8	Bolt-Carriage 3/8-16 X 1	23	126-4772-03	3	Weight-6 Lb Plate
10	3231-29	3	Bolt-Carriage 3/8-16 X 1 3/4				

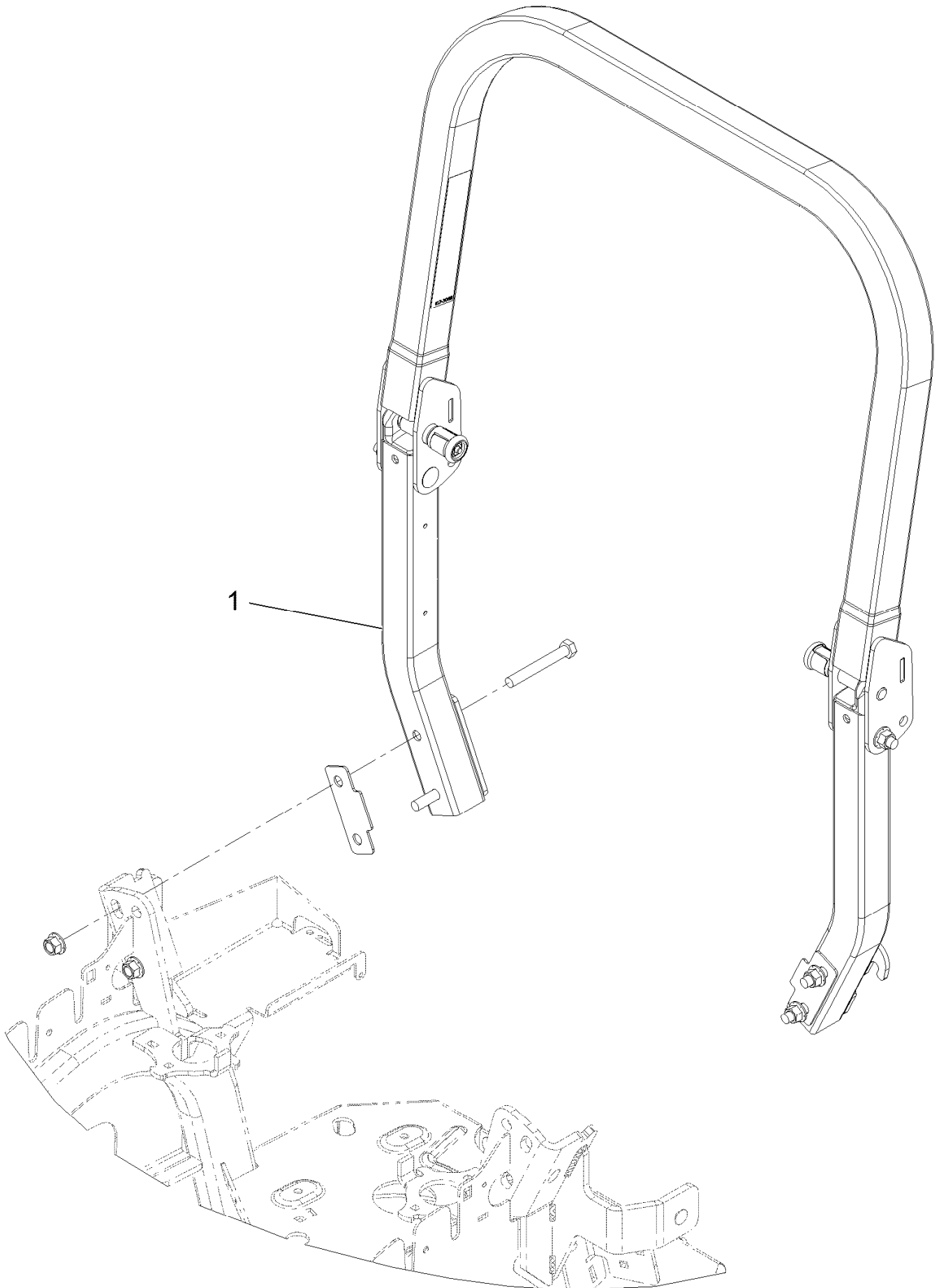
E-Series Decal



E-Series Decal (continued)

<i>Ref.</i>	<i>Part Number</i>	<i>Qty.</i>	<i>Description</i>
1	126-6571	2	Decal-E-Series

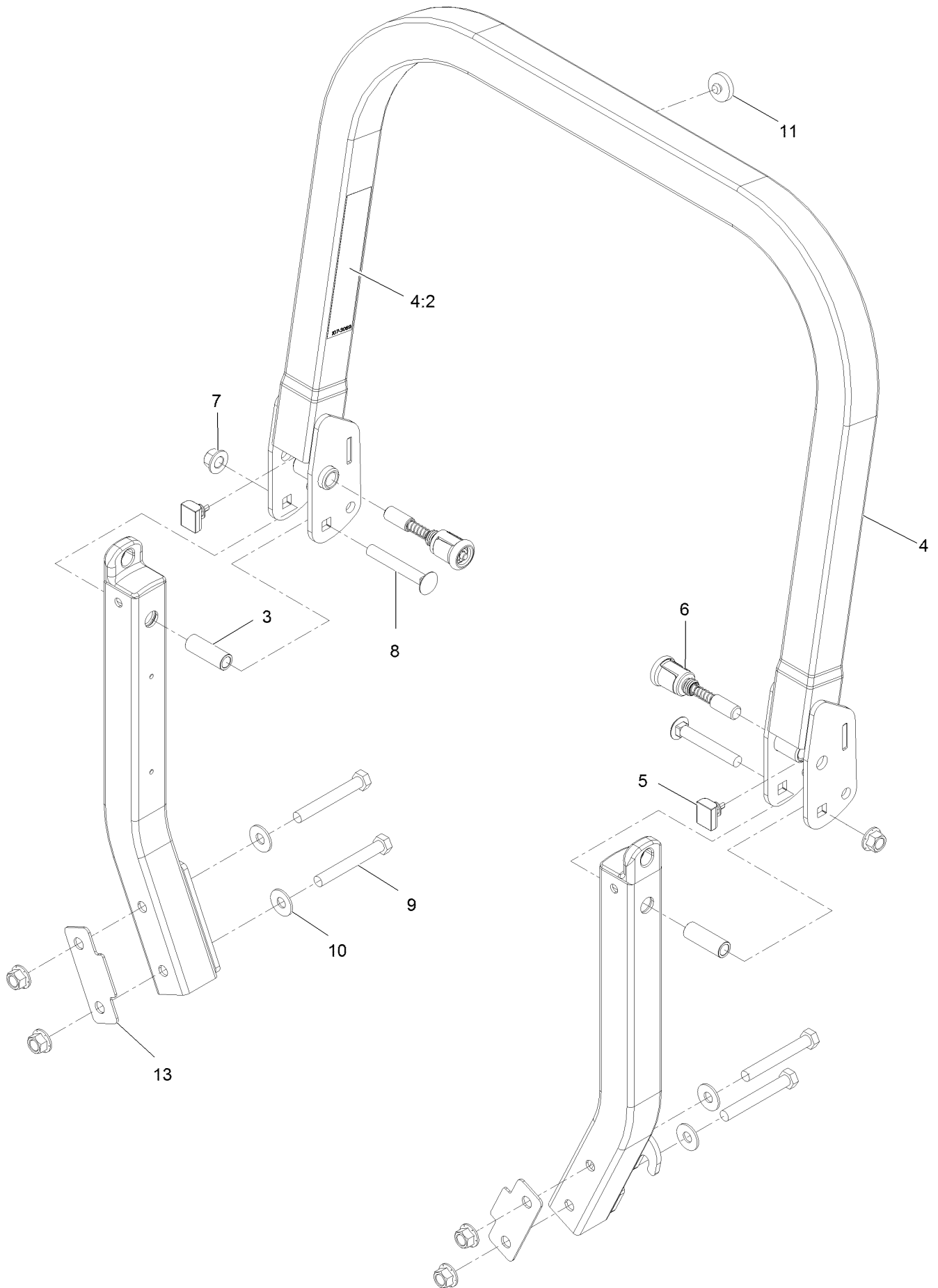
Roll-Over Protection System



Roll-Over Protection System (continued)

<i>Ref.</i>	<i>Part Number</i>	<i>Qty.</i>	<i>Description</i>
1	116-2882	1	ROPS ASM

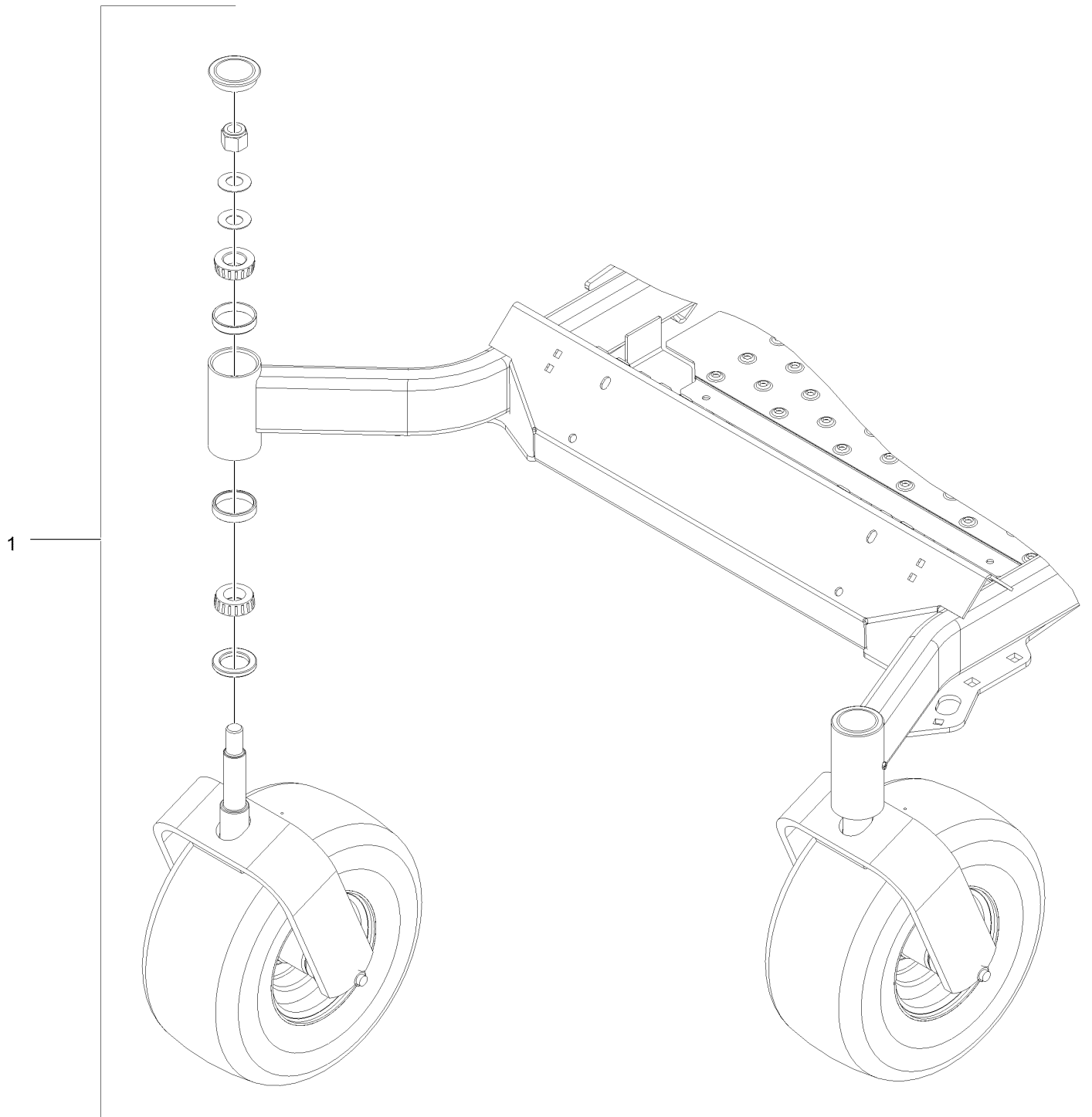
Roll-Over Protection System Assembly No. 116-2882



Roll-Over Protection System Assembly No. 116-2882 (continued)

<i>Ref.</i>	<i>Part Number</i>	<i>Qty.</i>	<i>Description</i>	<i>Ref.</i>	<i>Part Number</i>	<i>Qty.</i>	<i>Description</i>
3	109-6653	2	Spacer	7	99-5107	6	Nut-Lock 1/2-13
4	116-0019	1	Upper ROPS ASM	8	3233-10	2	Bolt-Carriage 1/2-13 X 3 1/2
4:2	107-3069	1	Decal-Warning, Folding ROPS	9	325-35	4	Screw-HH
5	109-5337	2	Bumper-ROPS	10	109-9505	4	Washer, Spring Disc 1/2
6	116-0104	2	Pin-Spring	11	109-9233	1	Bumper-Push-In, Rubber
				13	116-0960	2	Spacer

Front Caster and Fork Assembly

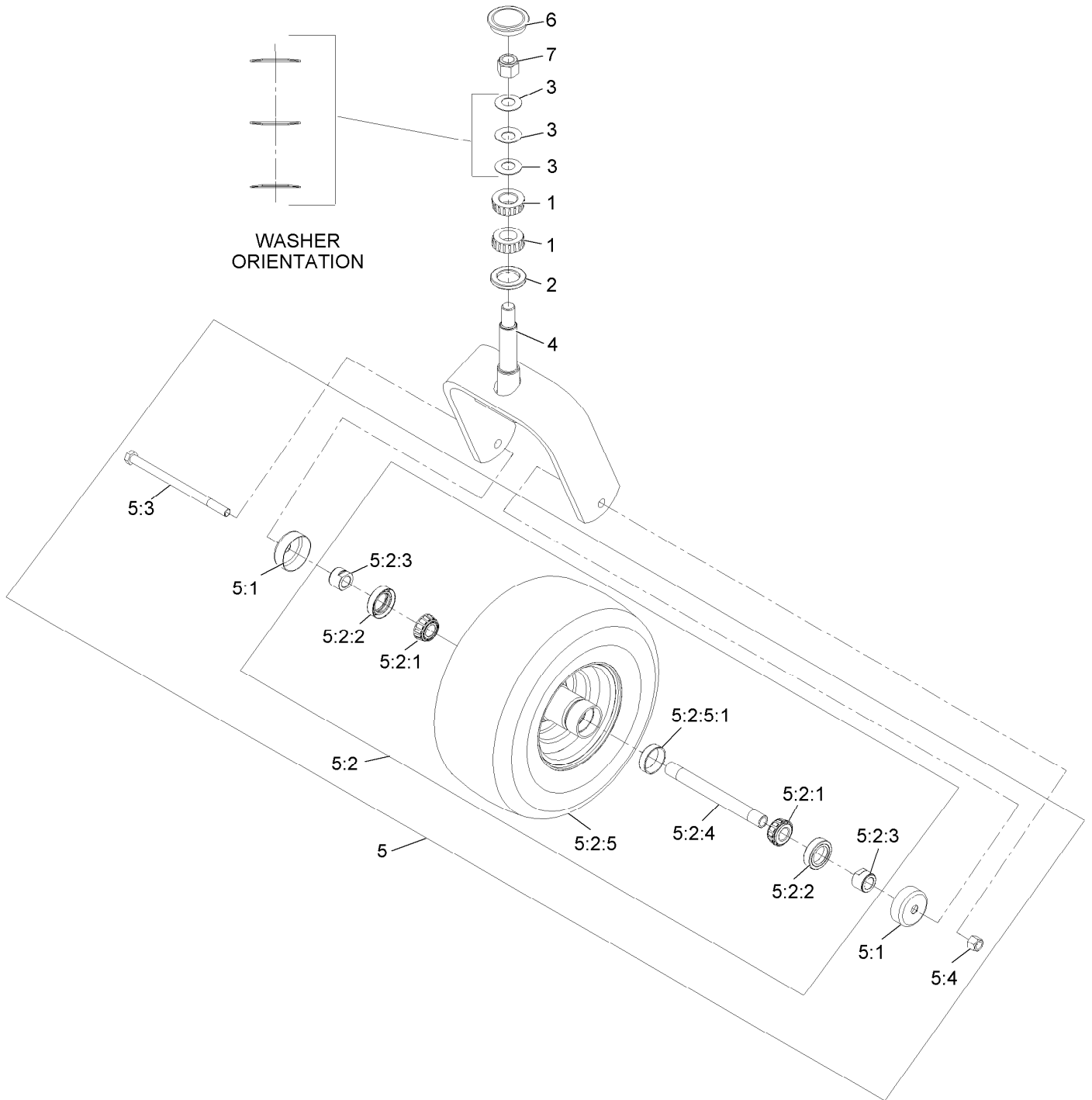


Front Caster and Fork Assembly (continued)

<i>Ref.</i>	<i>Part Number</i>	<i>Qty.</i>	<i>Description</i>
1		2	Caster Wheel ASM ●

● Not serviced separately

Caster Wheel and Fork Assembly



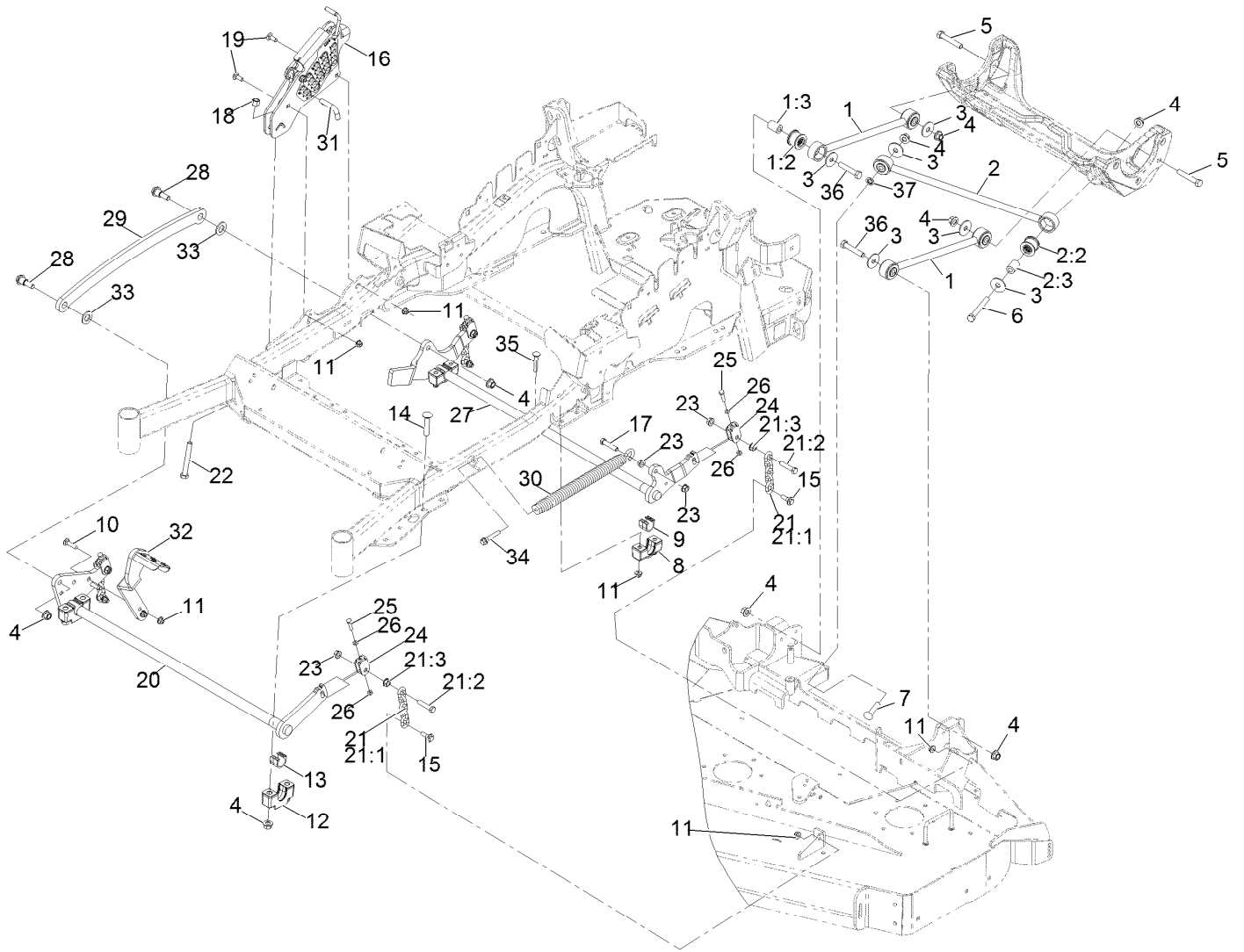
Caster Wheel and Fork Assembly (continued)

<i>Ref.</i>	<i>Part Number</i>	<i>Qty.</i>	<i>Description</i>	<i>Ref.</i>	<i>Part Number</i>	<i>Qty.</i>	<i>Description</i>
1	1-543509	2	Cone-Bearing Tapered Roller	5:2:2	103-0063	2	Seal-Double Lip
2	116-5647	1	Seal-Grease	5:2:3	103-3051	1	Spacer-Nut ■
3	1-633508	3	Washer-Spring Disc	5:2:4	126-5361	1	Axle ASM-Caster
4	116-6707-01	1	Caster	5:2:5		1	Wheel And Tire ASM ●
5	109-9127	1	Wheel & Tire ASM	5:2:5:1	1-633584	1	Bearing-Cup
5:1	103-2768	2	Guard-Seal	5:3	325-39	1	Screw-HH 1/2-13 X 9 1/2
5:2		1	Wheel And Tire ASM ●	5:4	3296-23	1	Nut-Nyloc 1/2-13
5:2:1	1-633585	2	Bearing-Cone Tapered Roller	6	103-4882	1	Cap-Grease
				7	3296-51	1	Nut-Nyloc 3/4-10

● Not serviced separately

■ Use Pro-Lock, Nut Type (P/N 1-840022, .5ml tube) on threads.

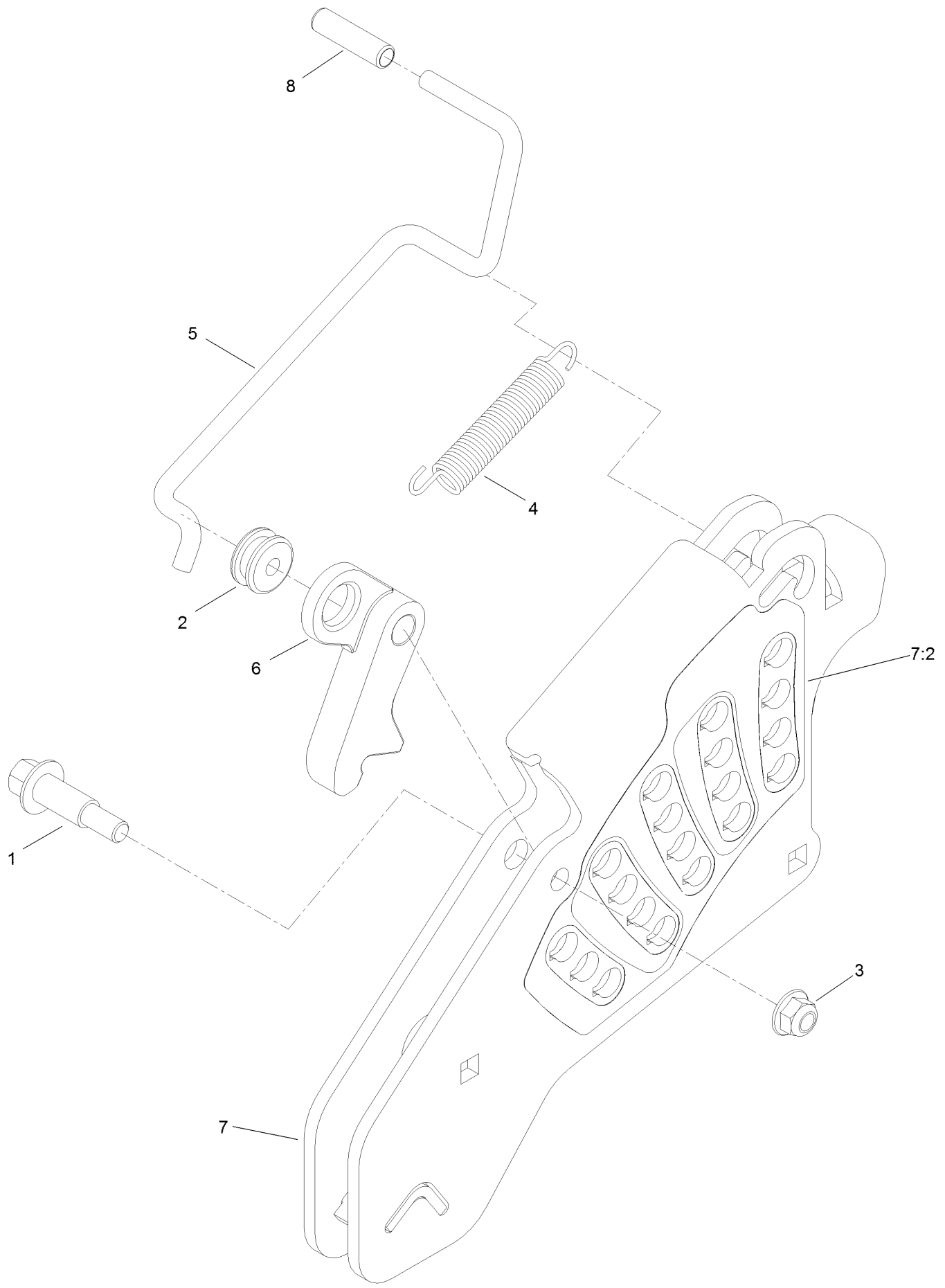
Deck Lift Assembly



Deck Lift Assembly (continued)

<i>Ref.</i>	<i>Part Number</i>	<i>Qty.</i>	<i>Description</i>	<i>Ref.</i>	<i>Part Number</i>	<i>Qty.</i>	<i>Description</i>
1	109-7952	2	Deck Strut ASM	17	109-9065	1	Screw-HH 7/16-14 X 2
1:2	109-5009	2	Bushing-Suspension, Rubber	18	3296-23	1	Nut-Nyloc 1/2-13
1:3	109-5010	2	Spacer	19	3231-2	2	Bolt-Carriage 3/8-16 X 1
2	109-5013	1	Panhard Rod ASM	20	126-2475-03	1	Decklift-Front
2:2	109-5009	2	Bushing-Suspension, Rubber	21	116-0756	4	Deck Lift Chain ASM
2:3	109-5010	2	Spacer	21:1	1-633447	1	Chain-Lift, Deck
3	86-1990	6	Washer	21:2	109-9065	1	Screw-HH 7/16-14 X 2
4	99-5107	12	Nut-Lock 1/2-13	21:3	32128-37	1	Nut-Whizlock 7/16-14
5	325-12	2	Screw-HH 1/2-13 X 3	22	116-0559	1	Bolt-HH 1/2-13 X 4 Tap
6	325-17	1	Screw-HH 1/2-13 X 4	23	32128-37	6	Nut-Whizlock 7/16-14
7	3233-34	1	Bolt-Carriage 1/2-13 X 2 1/2	24	109-9066	4	Yoke-Adjust, Deck
8	127-0553	2	Support-Cross Shaft, Bearing Rear	25	322-47	4	Screw-HH 5/16-18 X 1 1/4
9	109-7173	2	Bearing-Cross Shaft, Rear	26	3218-2	8	Nut-Jam 5/16-18
10	3231-4	2	Bolt-Carriage 3/8-16 X 1 1/2	27	116-0459-03	1	Lift-Deck, Rear
11	104-8301	12	Nut-Nyloc 3/8-16 Flg	28	116-0780	2	Screw-Shoulder HHF 1/2-13 X 1.12
12	109-9409	2	Support-Cross Shaft, Bearing	29	116-0797-03	1	Link-Lift, Deck
13	109-9410	2	Bearing-Cross Shaft, Front	30	116-0000	1	Spring-Extension
14	116-1700	4	Bolt-Carriage 1/2-13 X 2 1/2 Spl Neck	31	116-5584	1	Pin-HOC
15	109-9840	4	Screw-Hex Flange 3/8-16 X .80	32	116-1919-01	1	Lever-Foot
16	109-7438	1	HOC ASM	33	3256-28	2	Washer-3/4 Sae
				34	92-7674	1	Screw-Shcs 3/8-16 X 2.212
				35	3231-7	4	Bolt-Carriage 3/8-16 X 2 1/4
				36	325-11	2	Screw-HH 1/2-13 X 2 3/4
				37	126-2916	1	Nut-Push

Height-of-Cut Assembly No. 109-7438

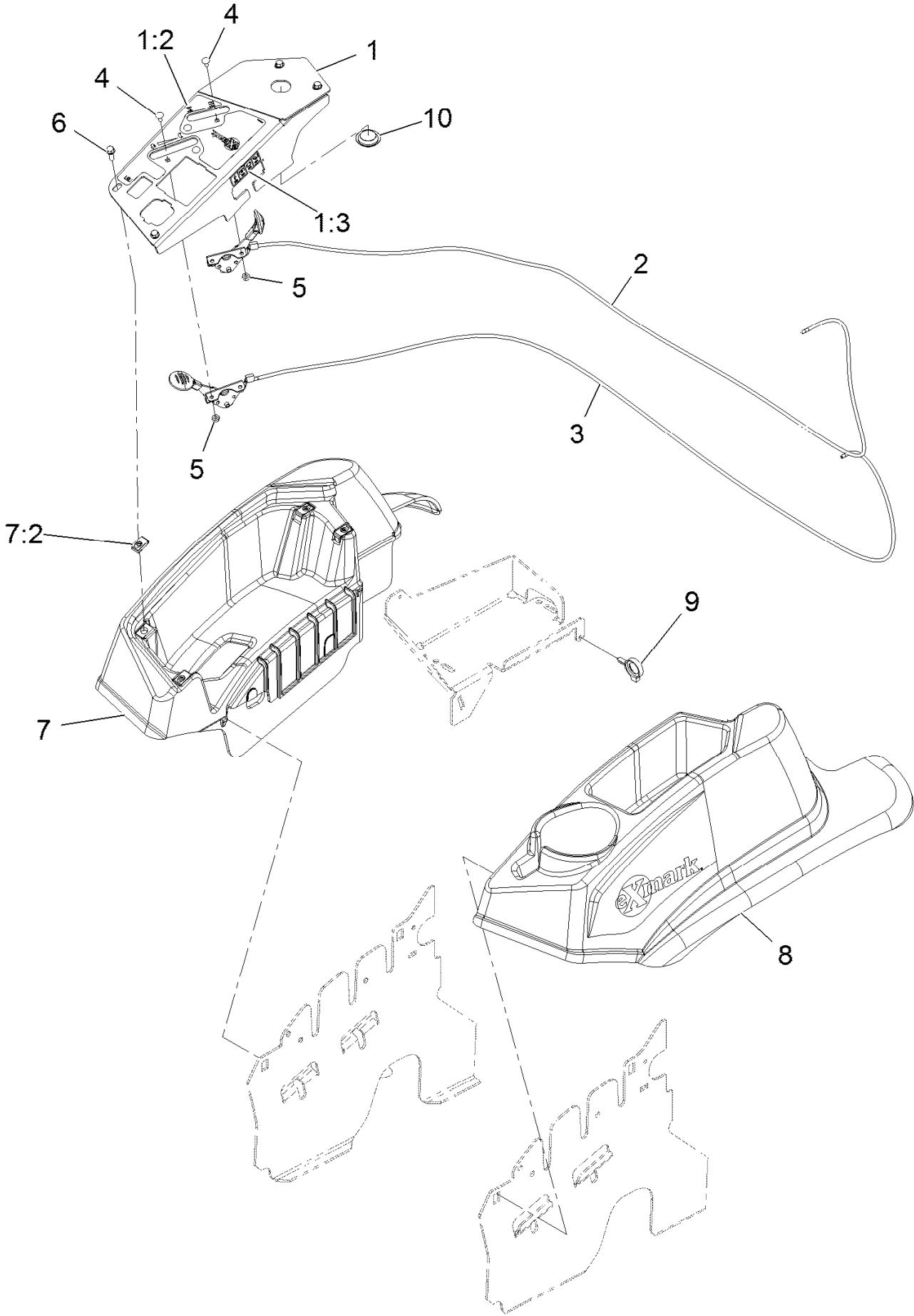


Height-of-Cut Assembly No. 109-7438 (continued)

<i>Ref.</i>	<i>Part Number</i>	<i>Qty.</i>	<i>Description</i>
1	62-1330	1	Bolt-Shoulder
2	109-7130	1	Grommet
3	104-8301	1	Nut-Flange, NI
4	109-7124	1	Spring-Extension
5	109-7128	1	Rod-Lock, Transport

<i>Ref.</i>	<i>Part Number</i>	<i>Qty.</i>	<i>Description</i>
6	116-0118	1	Pawl-Transport, HOC
7	109-7335	1	HOC Plate ASM
7:2	126-4398	1	Decal-HOC
8	109-8250	1	Grip-Lever

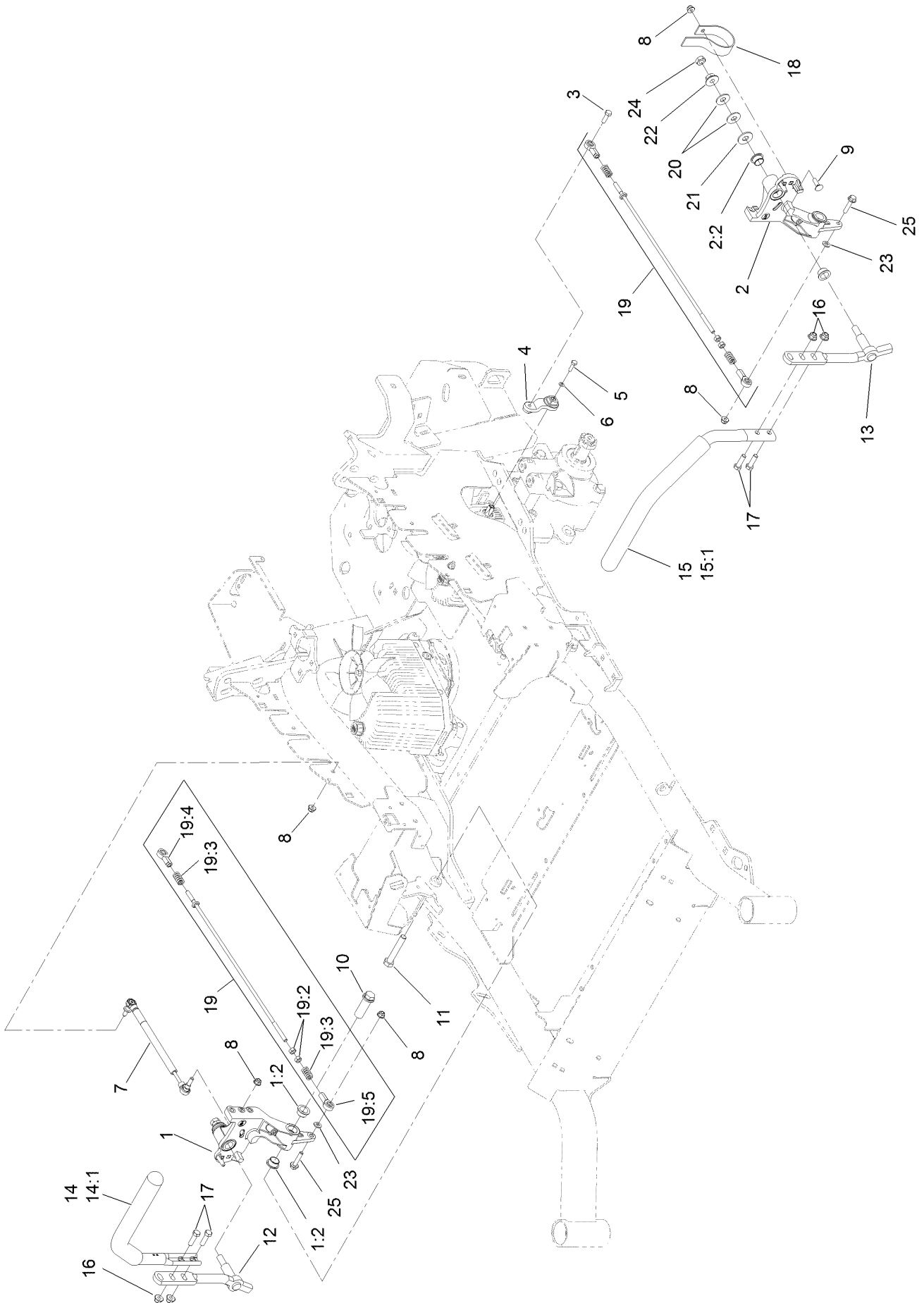
Control Assembly



Control Assembly (continued)

<i>Ref.</i>	<i>Part Number</i>	<i>Qty.</i>	<i>Description</i>	<i>Ref.</i>	<i>Part Number</i>	<i>Qty.</i>	<i>Description</i>
1	109-8484	1	Console,Panel W/Decal	6	32105-15	4	Screw-Machine 1/4-20 X 3/4
1:2	116-8724	1	Decal-Control Panel Non-Efi	7	116-1278	1	Console,RH As ASM
1:3	114-4466	1	Decal-Fuses	7:2	107069	4	Nut-Retainer-Panel 1/4-20
2	109-8167	1	ASM, Choke Cable	8	109-9457	1	Console, LH As
3	116-1972	1	ASM,Throttle Cable	9	105-1853	1	Clamp-Hose
4	1-807513	4	Bolt-Carriage #10-24 X 1/2	10	116-1875	1	Plug,Plastic
5	3296-2	4	Nut-Nyloc #10-24				

Motion Control Assembly

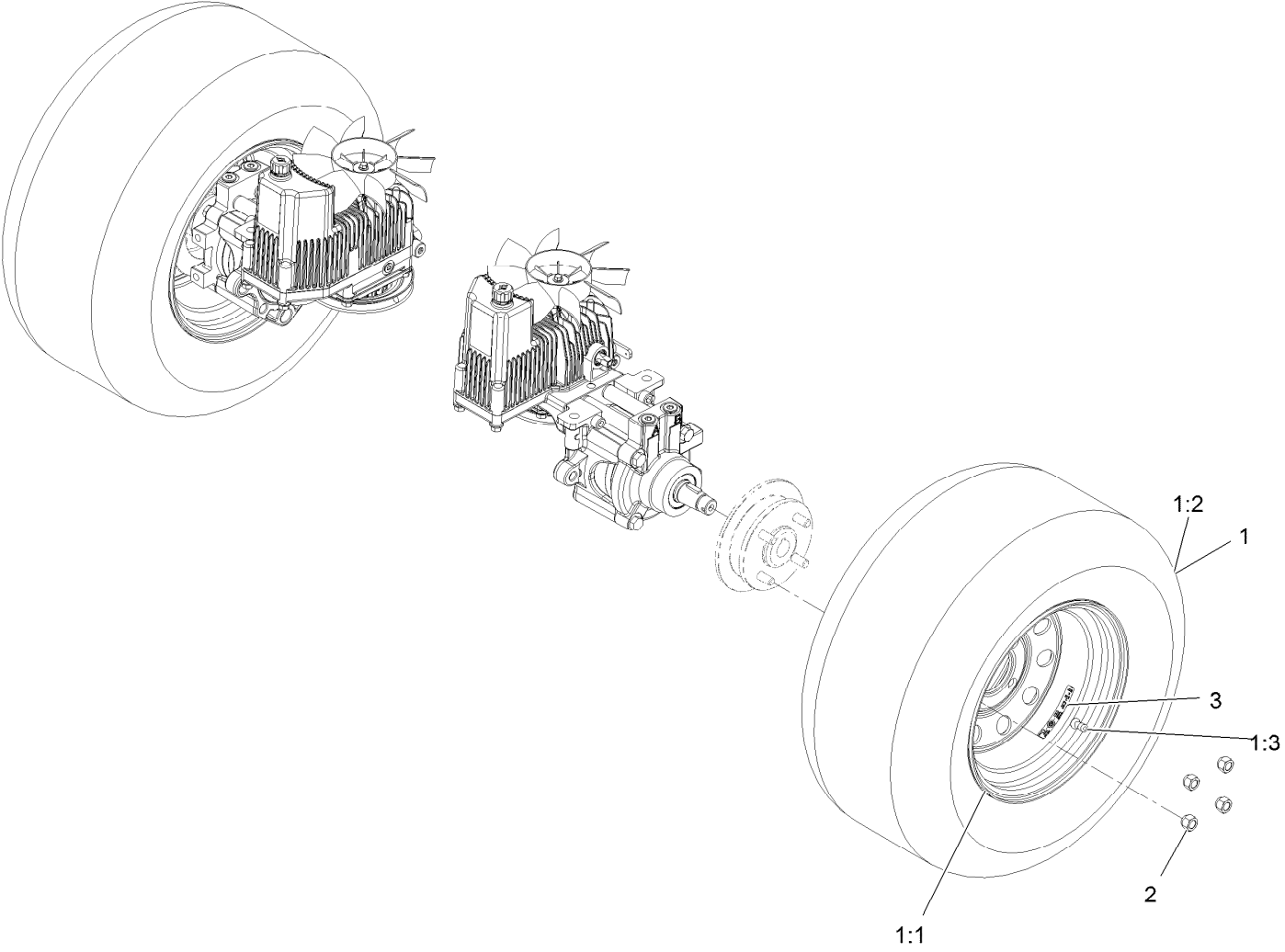


Motion Control Assembly (continued)

<i>Ref.</i>	<i>Part Number</i>	<i>Qty.</i>	<i>Description</i>	<i>Ref.</i>	<i>Part Number</i>	<i>Qty.</i>	<i>Description</i>
1	116-0880	1	RH Motion Control And Bushing ASM	14	109-6589	1	RH Steering Handle ASM
1:2	109-8054	4	Bushing-Flange	14:1	109-5668	1	Grip-Control, Lever
2	116-0881	1	LH Motion Control And Bushing ASM	15	109-6590	1	LH Steering Handle ASM
2:2	109-8054	4	Bushing-Flange	15:1	109-5668	1	Grip-Control, Lever
3	116-0648	2	Screw-HH, Thread Locking ●	16	104-8301	4	Nut-Flange, NI
4	109-4581	2	Arm-Control, Pump	17	323-7	4	Screw-HH
5	9080046	2	Screw-HH ●	18	109-5575	2	Spring-Leaf
6	1-303435	2	Washer-Spring	19	109-8106	2	Front Pump Linkage ASM
7	116-0027	2	Damper-Control, Motion	19:2	3219-2	2	Nut-Hex
8	104-8300	8	Nut-Flange, NI	19:3	1-323245	2	Spring-Compression
9	3230-2	2	Bolt-CARR	19:4	1-633152	1	Balljoint-LH
10	109-5891	2	Hub-Threaded	19:5	1-543017	1	Balljoint-RH
11	325-12	2	Screw-HH	20	109-9505	4	Washer-Spring
12	116-0039	1	Lever-Control Motion, RH	21	3256-6	2	Washer-Flat
13	116-0040	1	Lever-Control Motion, LH	22	32128-56	2	Nut-HF
				23	3256-23	2	Washer-Flat
				24	3218-5	2	Nut-Jam
				25	115-1794	2	Screw-HHF

● Use Pro-Lock, Nut Type (P/N 1-840022, .5ml tube) on threads.

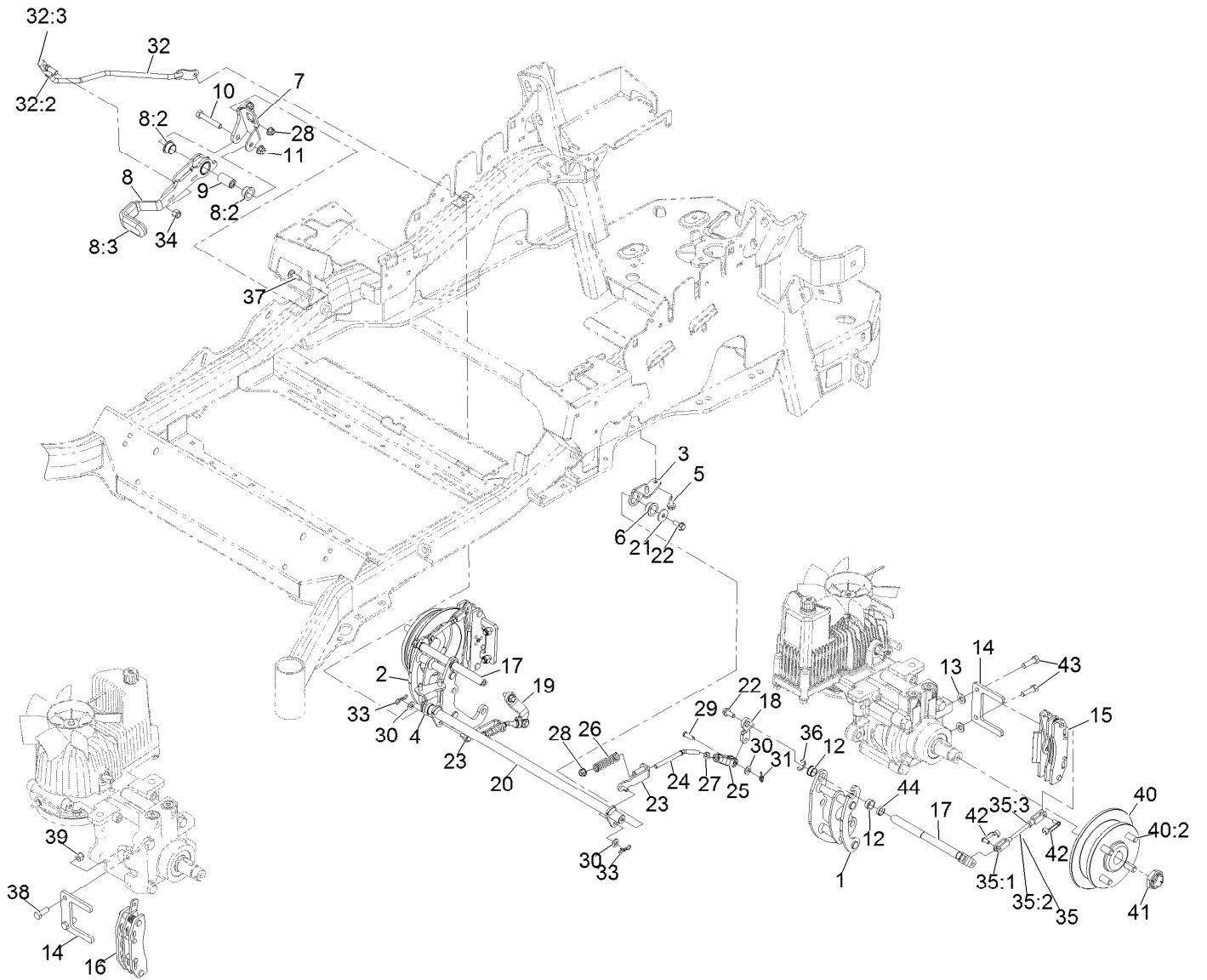
Rear Wheel Assembly



Rear Wheel Assembly (continued)

<i>Ref.</i>	<i>Part Number</i>	<i>Qty.</i>	<i>Description</i>	<i>Ref.</i>	<i>Part Number</i>	<i>Qty.</i>	<i>Description</i>
1	116-8294	2	ASM-Wheel And Tire	2	242-50	8	Nut-Lug 1/2-20
1:1	116-8295	1	ASM-Rim 60	3	126-2055	2	Decal-Torque, Wheel Hub Lug
1:2	116-8296	1	Tire-Drive				
1:3	232-27	1	Stem-Valve				

Park Brake Assembly

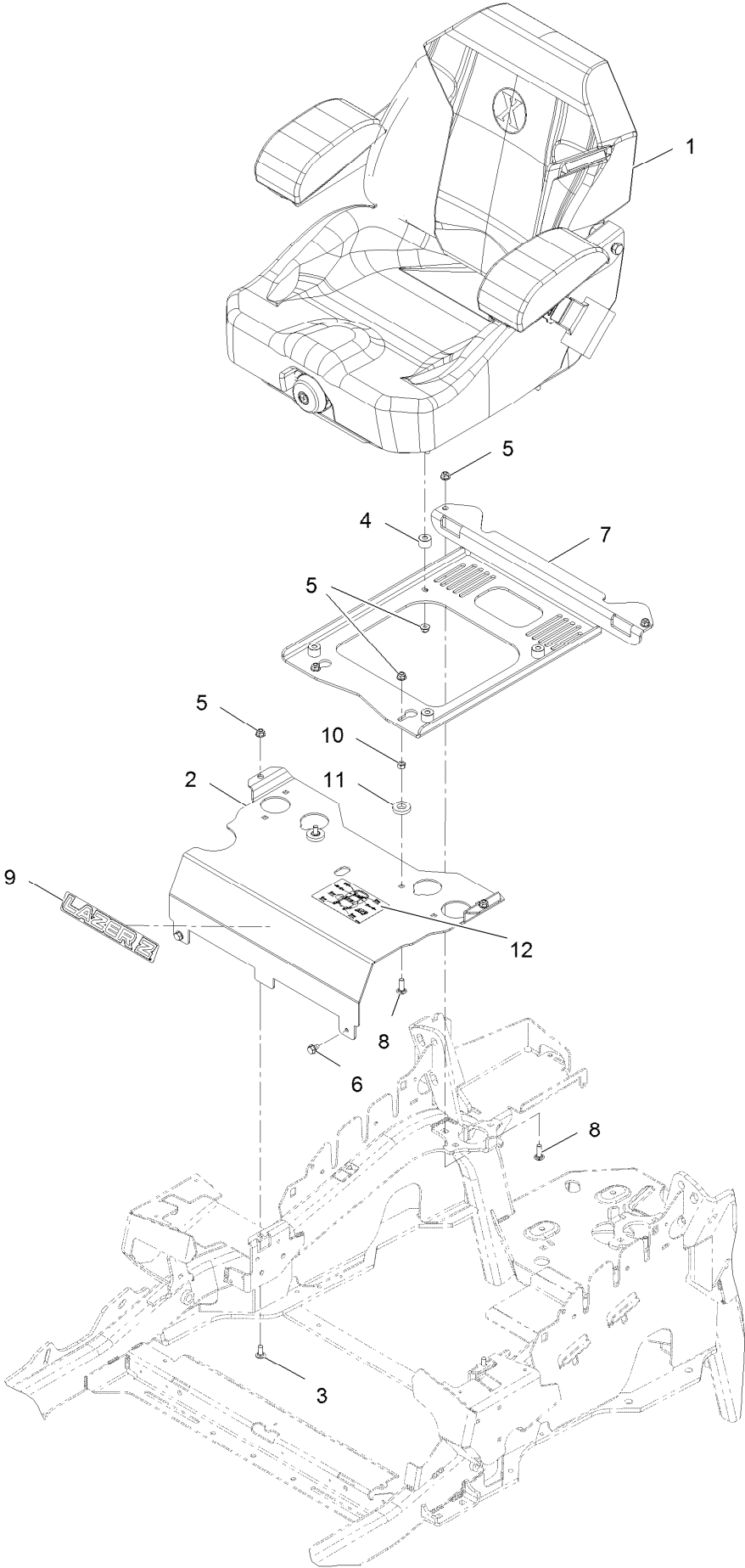


REAR VIEW OF
RIGHT HAND HYDRO

Park Brake Assembly (continued)

<i>Ref.</i>	<i>Part Number</i>	<i>Qty.</i>	<i>Description</i>	<i>Ref.</i>	<i>Part Number</i>	<i>Qty.</i>	<i>Description</i>
1	126-4248	1	Mount-Bellcrank, LH	26	116-9085	2	Spring-Compression
2	126-4249	1	Mount-Bellcrank, RH	27	3220-2	2	Nut-Jam 5/16-24
3	116-9681	1	Mount-Pivot, LH	28	104-8300	4	Nut-Nyloc 5/16-18 Flg
4	116-9682	1	Mount-Pivot, RH	29	1-808280	2	Pin-Clevis 5/16 X 1 49/64
5	32144-70	4	Screw-HWH 5/16-18 X 3/4 Tf	30	3256-23	4	Washer-5/16 Sae
6	109-8054	2	Bushing-Flanged	31	116-6639	2	Pin-Cotter, Locking
7	116-9096-01	1	Bracket-Mount	32	116-9102	1	Front Linkage ASM
8	126-0970	1	Brake Lever ASM	32:2	94-7572	1	End-Tie Rod, RH
8:2	109-8054	2	Bushing-Flanged	32:3	3220-3	1	Nut-Jam 3/8-24
8:3	1-633268	1	Grip-Lever	33	119-1415	2	Pin-Cotter, Locking
9	116-9117	1	Handle-Pivot, Brake	34	3296-6	1	Nut-Nyloc 3/8-24
10	323-11	1	Screw-HH 3/8-16 X 2 1/4	35	126-7587	2	ASM-Rear Linkage
11	104-8301	1	Nut-Nyloc 3/8-16 Flg	35:1	126-7588	2	Yoke
12	126-6199	4	Bushing-Igus	35:2	116-9069	1	Linkage, Rear
13	3256-24	2	Washer-3/8 Sae	35:3	3220-1	1	Nut-Jam 1/4-28
14	109-0958	2	Plate-Mount, Brake	36	32120-19	2	E-Ring
15	109-2889	1	Caliper-Brake	37	3230-2	2	Bolt-Carriage 5/16-18 X 1
16	116-9103	1	Caliper-Brake, RH	38	323-6	2	Screw-HH 3/8-16 X 1
17	126-4251	2	Bellcrank	39	3296-39	2	Nut-Nyloc 3/8-16
18	126-3715	1	Arm-Inner, LH	40	116-1746	2	Wheel Hub ASM
19	126-3716	1	Arm-Inner, RH	40:2	116-1696	4	Stud-Wheel
20	116-9080	1	Shaft-Cross	41	116-1399	2	Locknut
21	115-7109	2	Washer-Flat	42	126-6395	4	Pin-Clevis, Spring
22	98-9940	4	Screw	43	92-5727	2	Screw-HH 3/8-16 X 1 1/4 Patch Lock
23	116-9609	2	Bracket-L	44	126-6200	2	Spacer
24	116-9086	2	Linkage-Mid				
25	126-3693	2	Yoke-Offset				

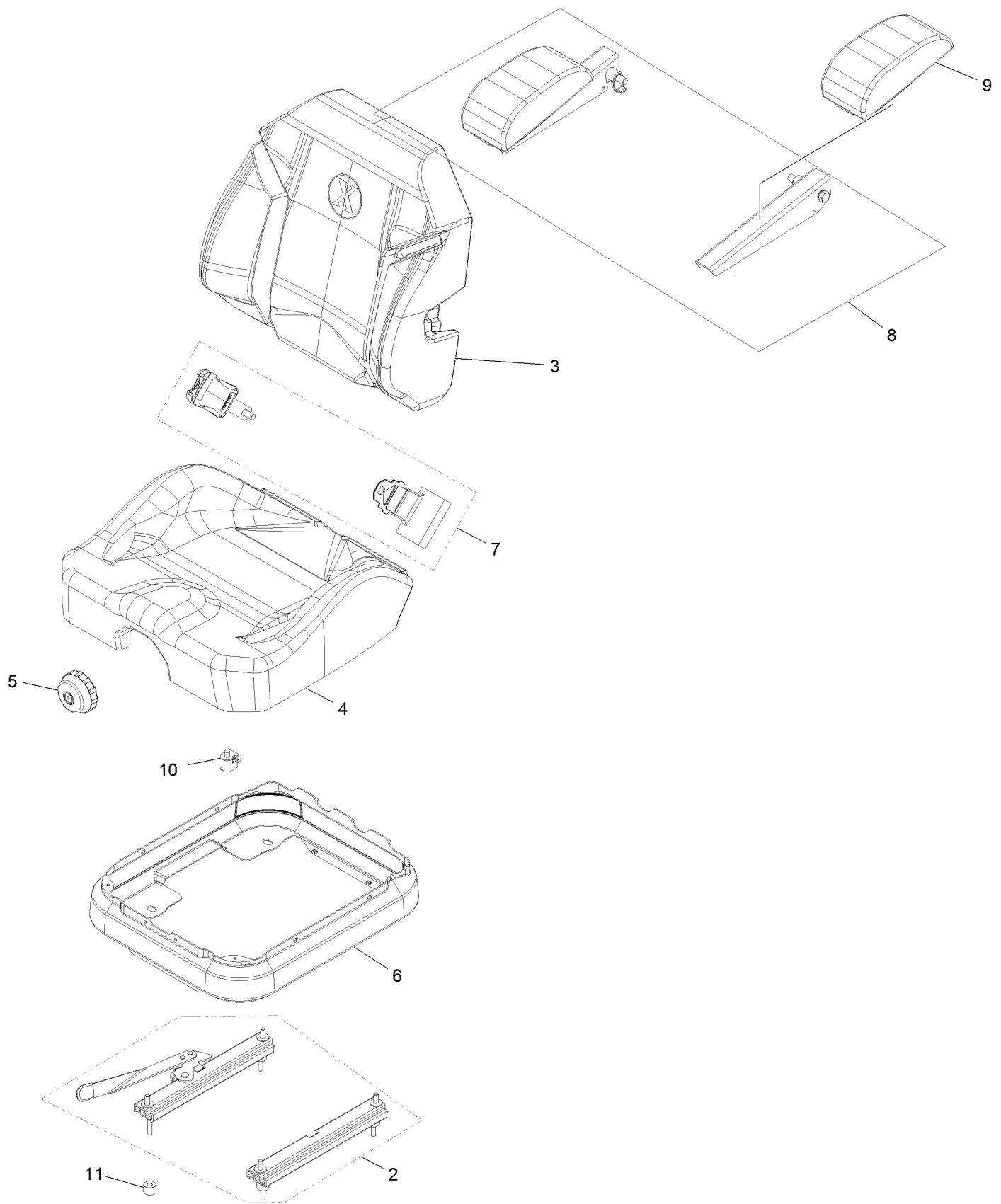
Seat Assembly



Seat Assembly (continued)

<i>Ref.</i>	<i>Part Number</i>	<i>Qty.</i>	<i>Description</i>	<i>Ref.</i>	<i>Part Number</i>	<i>Qty.</i>	<i>Description</i>
1	116-8912	1	Kit-Suspension Seat	7	116-0192-03	1	Plate-Support, Seat
2	116-2130-03	1	Panel-Front, Seat Mount	8	3230-22	4	Bolt-Carriage 5/16-18 X 1 Sp
3	3230-23	2	Bolt-Carriage 5/16-18 X 3/4 Short Neck	9	126-6574	1	Decal, Lazer Model
4	116-9329	4	Spacer	10	3217-6	2	Nut-Hex 5/16-18
5	104-8300	10	Nut-Nyloc 5/16-18 Flg	11	1-323539	2	Spacer-Blade Drive
6	9266934	2	Screw-HWH 5/16 X 1/2 Tf	12	114-4465	1	Decal-Service Aid

Seat W/Tracks Assembly No. 116-8912

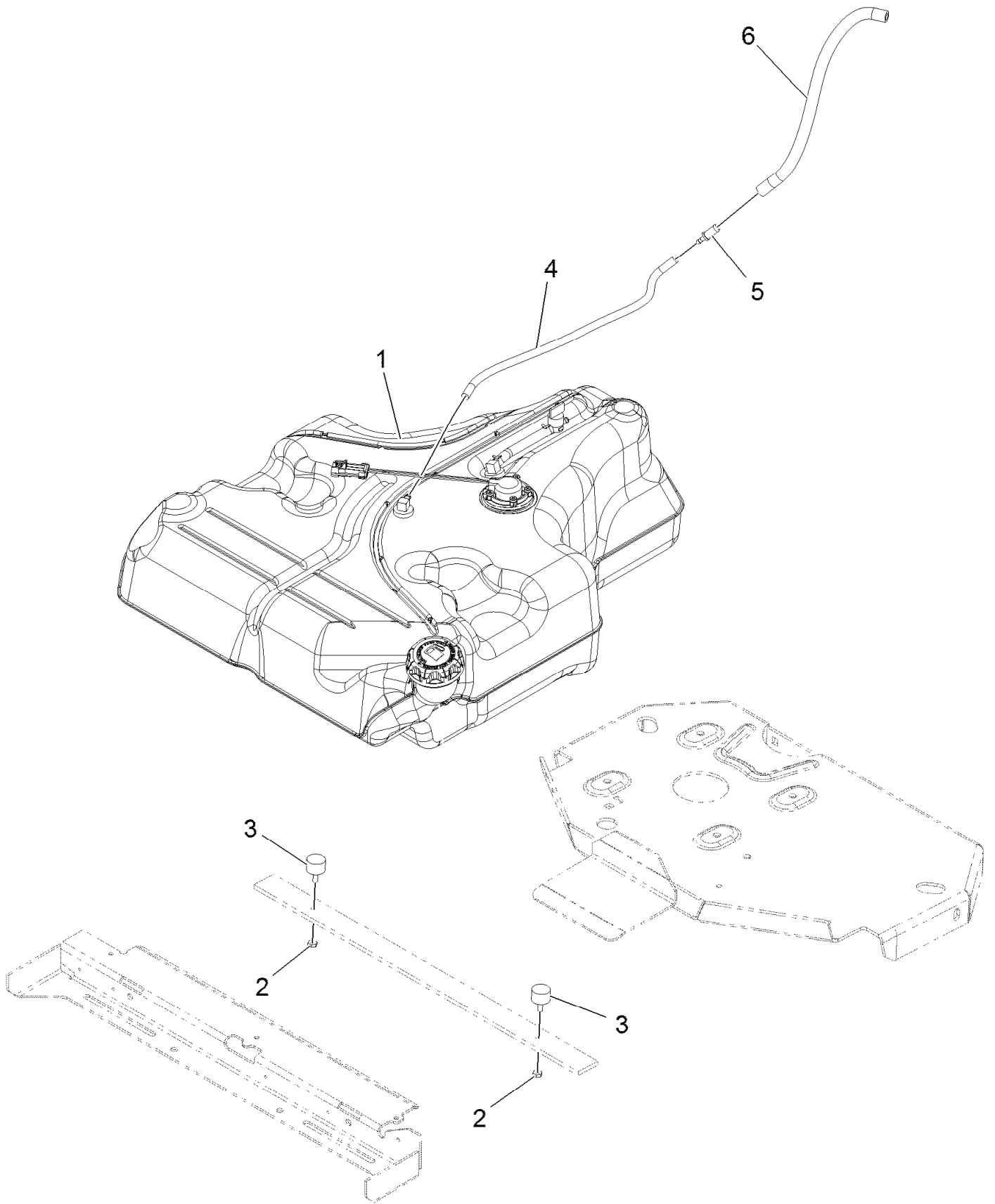


Seat W/Tracks Assembly No. 116-8912 (continued)

<i>Ref.</i>	<i>Part Number</i>	<i>Qty.</i>	<i>Description</i>
2	116-8910	1	Seat Track Set
3	116-8908	1	Cover-Back 311463Vn500
4	116-8909	1	Cover-Cushion 311464Vn500
5	116-8911	1	Knob-Adjuster
6	116-5659	1	Cover-Suspension Bellows

<i>Ref.</i>	<i>Part Number</i>	<i>Qty.</i>	<i>Description</i>
7	126-2061	1	Seat Belt Service Kit
8	116-8906	1	Kit-Arm Rest Set
9	116-8905	1	Kit-Arm Rest Pads
10	82-2190	1	Switch-Bail
11	116-9329	4	Spacer

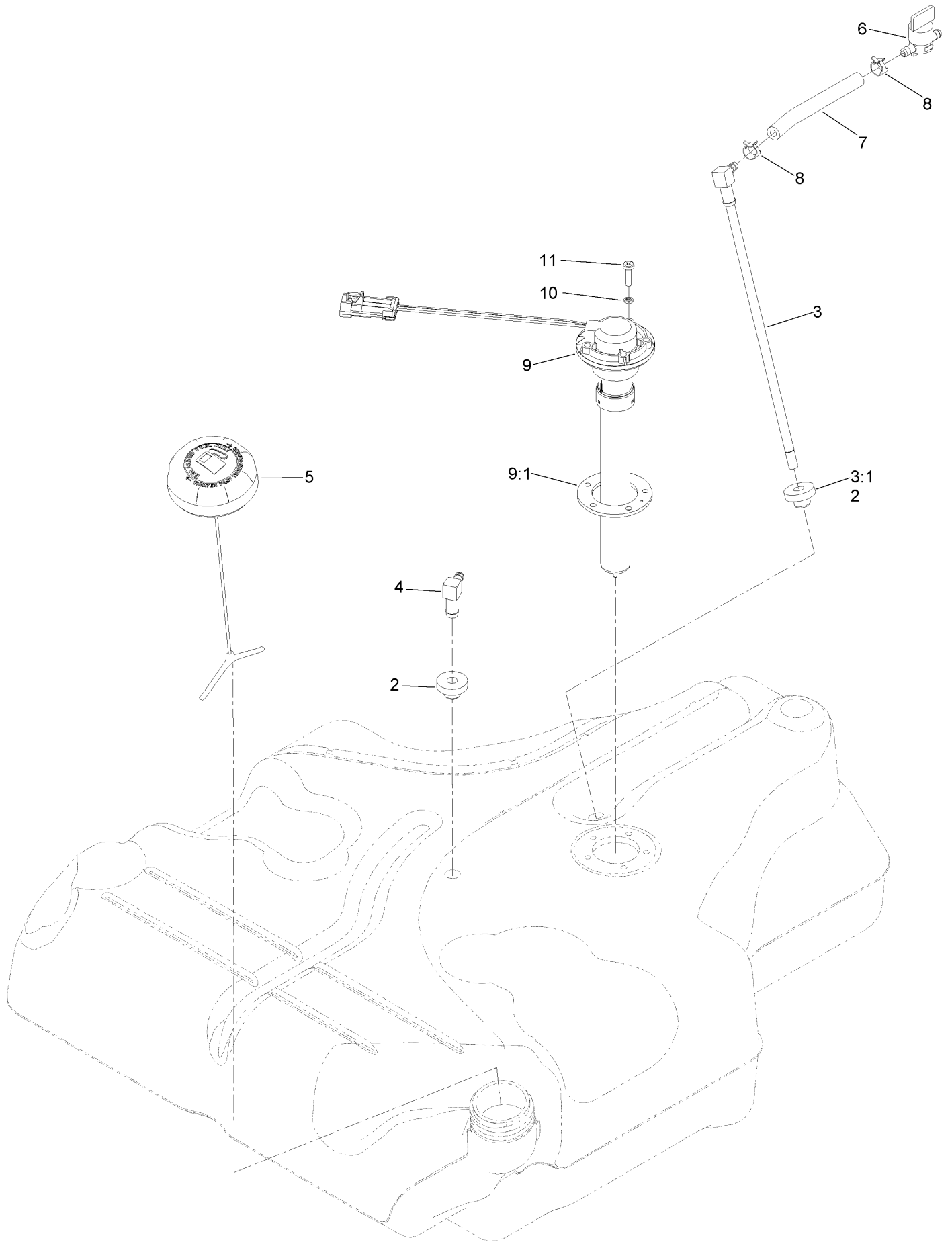
Fuel Tank Mounting Assembly



Fuel Tank Mounting Assembly (continued)

<i>Ref.</i>	<i>Part Number</i>	<i>Qty.</i>	<i>Description</i>	<i>Ref.</i>	<i>Part Number</i>	<i>Qty.</i>	<i>Description</i>
1	116-3978	1	Fuel Tank ASM	4	110-8751	1	Hose-Fuel
2	3218-1	2	Nut-Jam	5	98-2952	1	Fitting-Straight
3	116-6380	2	Bumper-Rubber (W/ Stud)	6	116-4344	1	Hose-Fuel

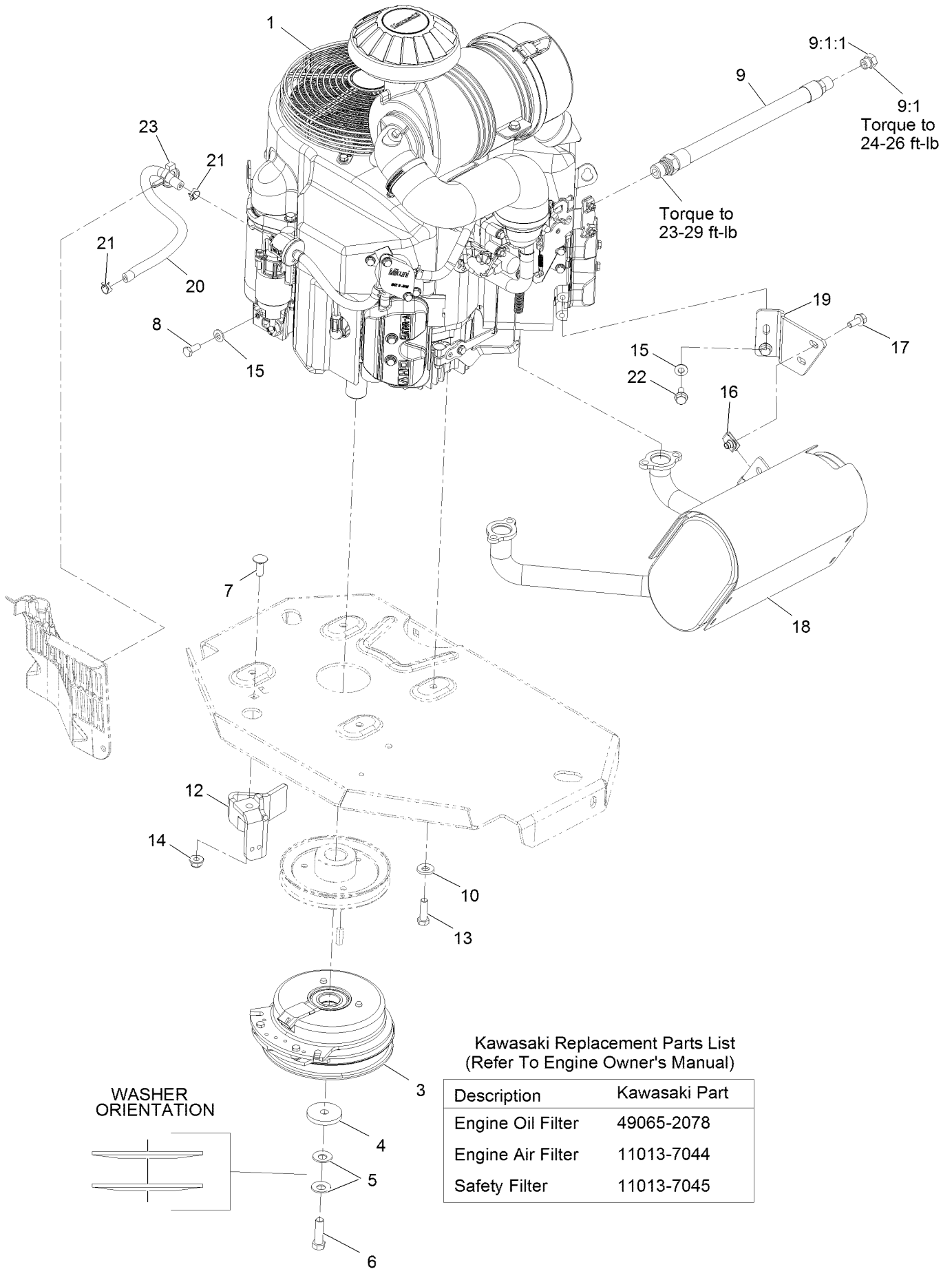
Fuel Tank Assembly No. 116-3978



Fuel Tank Assembly No. 116-3978 (continued)

<i>Ref.</i>	<i>Part Number</i>	<i>Qty.</i>	<i>Description</i>	<i>Ref.</i>	<i>Part Number</i>	<i>Qty.</i>	<i>Description</i>
2	46-6560	2	Bushing	7	109-0650	1	Hose-Fuel
3	116-2459	1	Fuel Line Kit (With Grommet)	8	2412-98	2	Clamp-Hose
3:1	46-6560	1	Bushing	9	116-1981	1	Sender-Fuel
4	116-2288	1	Fitting-90 Elbow	9:1	109-9620	1	Gasket-Sender, Fuel
5	126-1789	1	Cap-Fuel, Ratcheting	10	3253-17	5	Washer-Lock
6	1-603770	1	Valve-Fuel	11	9107944	5	Screw-Pan

Engine Assembly



Kawasaki Replacement Parts List
(Refer To Engine Owner's Manual)

Description	Kawasaki Part
Engine Oil Filter	49065-2078
Engine Air Filter	11013-7044
Safety Filter	11013-7045

Engine Assembly (continued)

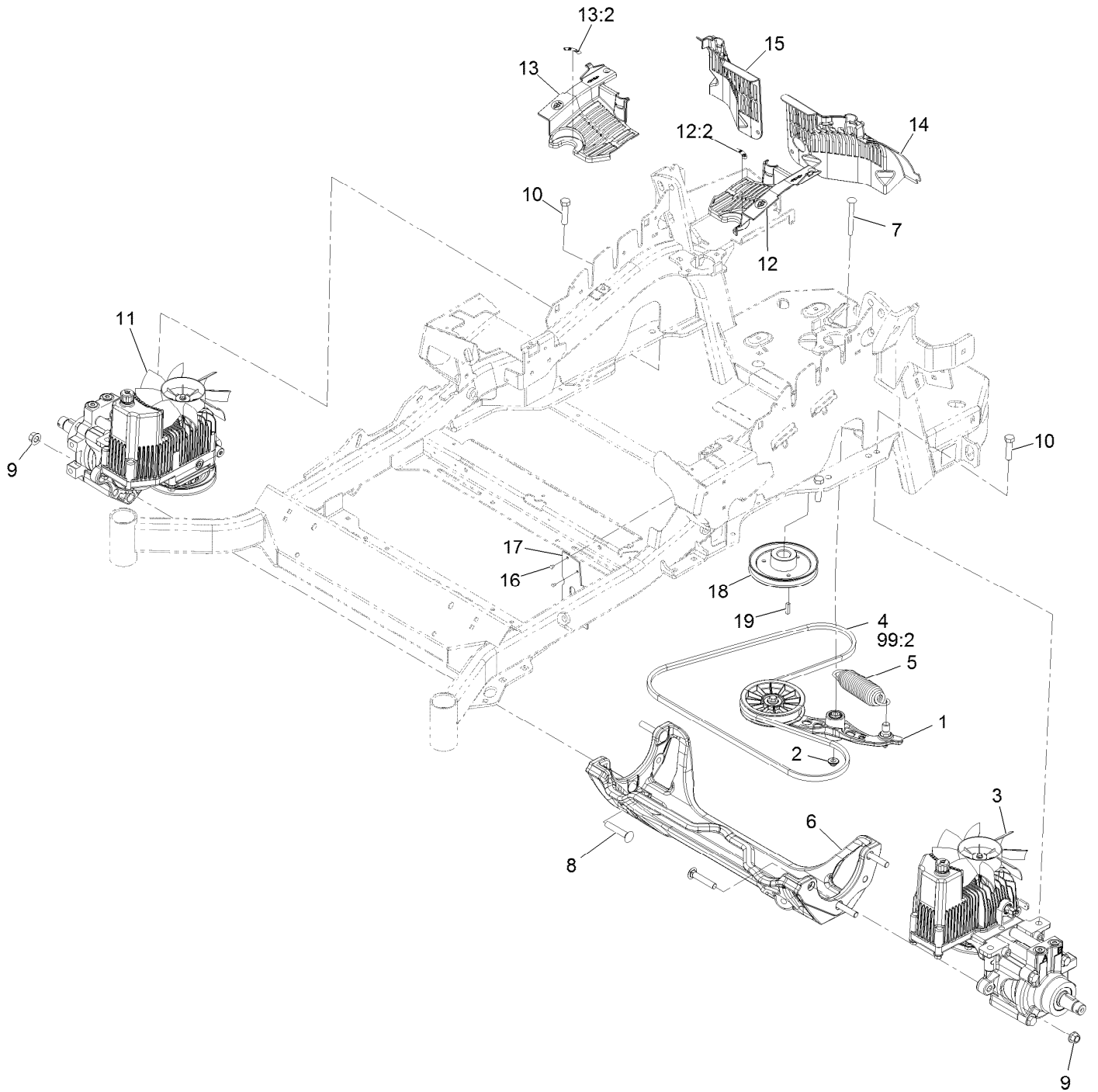
<i>Ref.</i>	<i>Part Number</i>	<i>Qty.</i>	<i>Description</i>	<i>Ref.</i>	<i>Part Number</i>	<i>Qty.</i>	<i>Description</i>
1		1	Engine-Kawasaki, Fx801V-S04-R ●■	12	116-2612-01	1	Clutch-Anchor
3	116-1620	1	Clutch Kit	13	323-7	4	Screw-HH 3/8-16 X 1 1/4
4	109-6919	1	Washer-Clutch	14	104-8301	1	Nut-Nyloc 3/8-16 Flg
5	1-603610	2	Washer-Spring Disc 7/16	15	1-303334	3	Washer-Spring Disc 5/16
6	109-9761	1	Screw-HH 7/16-20 X 1 1/2 W/Loctite ▲	16	94-2413	2	Nut-U
7	3231-22	1	Bolt-Carriage 3/8-16 X 1	17	3234-5	2	Screw-HH Flg 5/16-18 X 3/4
8	33114-020	1	Screw-HH M8-1.25 X 20Mm	18	116-1712	1	Muffler
9	116-4924	1	Asm-Hose Oil Drain W/Plug	19	116-0203	1	Bracket-Muffler
9:1	353-508	1	Plug-W/O-Ring	20	109-0296	1	Hose-Fuel Line 15"
9:1:1	237-42	1	O-Ring	21	2412-98	2	Clamp-Hose
10	98-5975	4	Washer-Spring Disc 3/8	22	95-4184	2	Screw-HHF
				23	105-1853	1	Clamp-Hose

● Not serviced separately

▲ Use Pro-Lock, Nut Type (P/N 1-840022, .5ml tube) on threads.

■ Obtain parts from www.kawpowerepc.com

Hydraulic Assembly

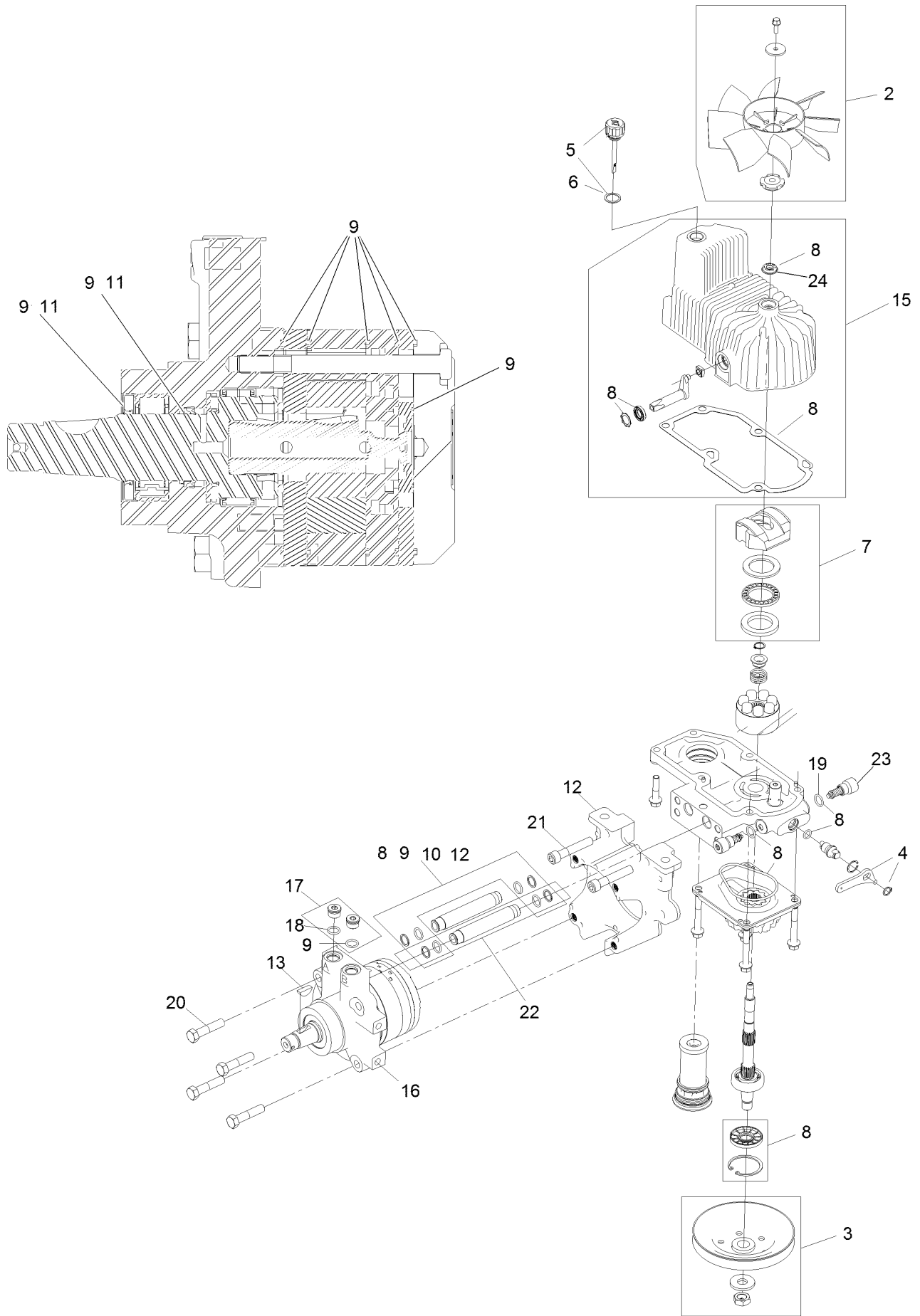


Hydraulic Assembly (continued)

<i>Ref.</i>	<i>Part Number</i>	<i>Qty.</i>	<i>Description</i>	<i>Ref.</i>	<i>Part Number</i>	<i>Qty.</i>	<i>Description</i>
1	116-1255	1	Pump Idler ASM	13	116-0171	1	RH Hydro Guard ASM
2	109-6658	1	Nut-Nyloc 3/8-16 Flg	13:2	116-8726	1	Decal-Oil, Hydro
3	126-1323	1	LH Hydro ASM (12Cc W/ Shock)	14	109-9057	1	Guard-Hydro, Rear (LH)
4	109-3388	1	Belt	15	109-9058	1	Guard-Hydro, Rear (RH)
5	116-6317	1	Spring-Extension	16	1-803035	2	Rivet 3/16 X 1/4
6	116-7558	1	Cradle-Hydro	17	116-2362	1	Deflector-Air Flow
7	116-1502	1	Bolt-Carriage Shoulder 3/8-16 X 3 1/2	18	109-9905	1	Sheave
8	126-0095	6	Screw-CARR	19	1-807259	1	Key-Machine 1/4 X 1/4 X 1
9	99-5107	6	Nut-Lock 1/2-13	99	109-9828	1	Bottle-Oil, 32Oz Hydraulic ●
10	325-8	4	Screw-HH 1/2-13 X 1 1/4	99	116-0164	1	Filter-Hydro ●
11	126-1324	1	RH Hydro ASM (12Cc W/ Shock)	99	116-1218	1	Bottle,Oil 1 Gallon Hydraulic ●
12	116-0170	1	LH Hydro Guard ASM	99	116-3270	1	Kit, Hydro Service ●
12:2	116-8726	1	Decal-Oil, Hydro	99:1	109-9828	4	Bottle-Oil, 32Oz Hydraulic ●
				99:2	109-3388	1	Belt
				99:3	116-0164	2	Filter-Hydro ●

● Not illustrated

LH Hydro Assembly No. 126-1323

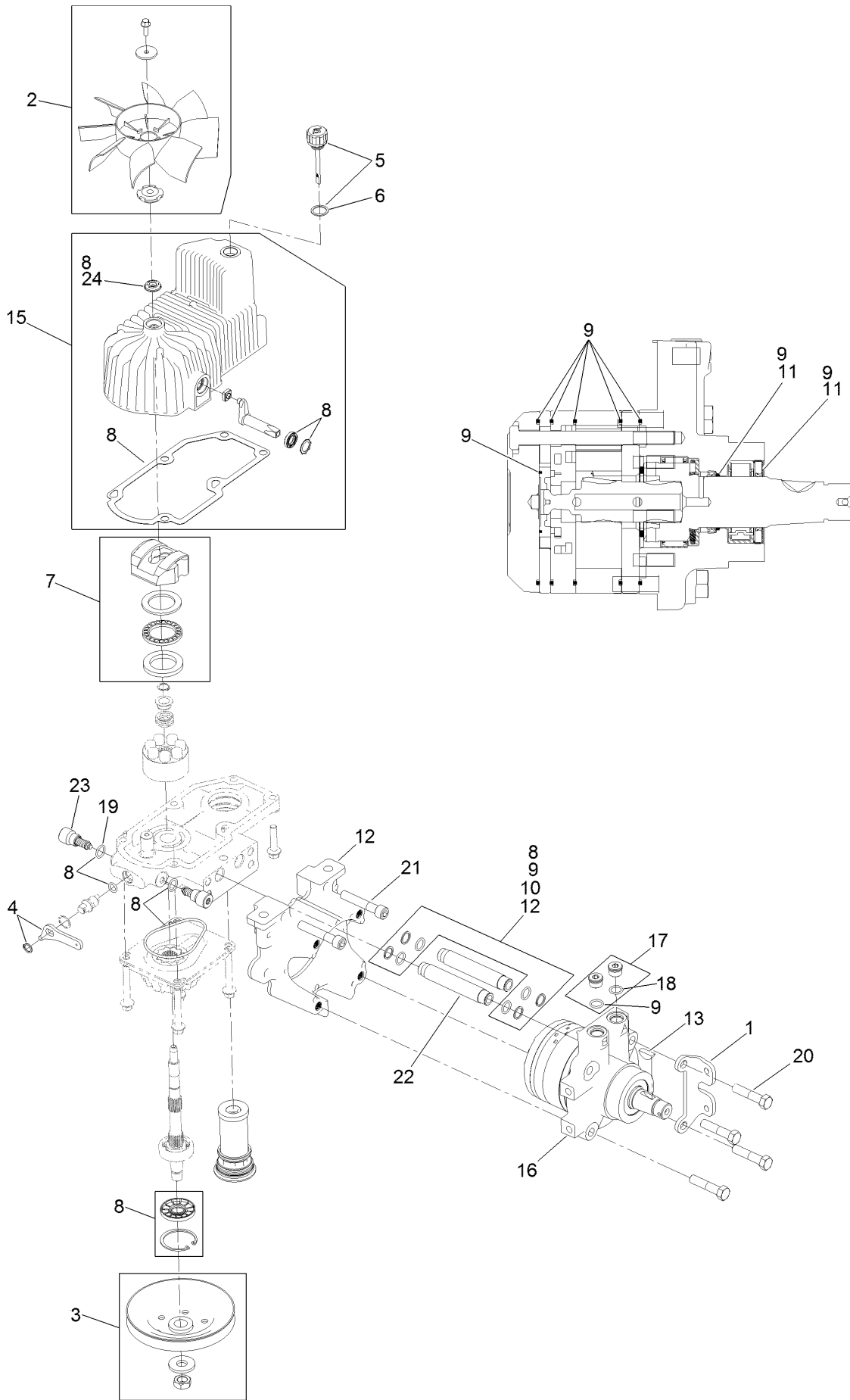


LH Hydro Assembly No. 126-1323 (continued)

<i>Ref.</i>	<i>Part Number</i>	<i>Qty.</i>	<i>Description</i>	<i>Ref.</i>	<i>Part Number</i>	<i>Qty.</i>	<i>Description</i>
2	116-0233	1	Fan Kit	15	116-3287	1	Housing-LH
3	116-0234	1	Pulley Kit	16	116-8915	1	Motor-Hydraulic LH 240Cc
4	116-0235	1	Handle-Bypass Valve, Hydro	17	116-7901	1	Magnetic Plugs Service Kit
5	116-0236	1	Dipstick-Hydro W/Gasket	18	76-1900	2	O-Ring
6	116-0237	1	Gasket-Dipstick, Hydro	19	116-8662	2	O-Ring-Check Valve
7	116-1367	1	Swash Block Kit	20	116-8974	4	Screw-HH 1/2-20 X 2 1/4
8	116-1368	1	Pump Seal Kit	21	116-8975	2	Screw-HSH 1/2-20 X 2 3/4
9	116-1369	1	Motor Seal Kit	22	116-9922	2	Hydraulic Tube Kit
10	116-1370	1	Tube Seal Kit	23	126-7466	2	Shock Valve, 12Cc Hydro
11	116-1371	1	Output Shaft Seal Kit	24	126-7711	1	Seal-Fan Drive
12	116-5469	1	Nose Cup-Uht	99	116-4245	1	Puller-Pulley Uht ●
13	3257-42	1	Key-Woodruff 5/16 X 1	99	116-1373	1	Flow Test Kit ●

● Not illustrated

RH Hydro Assembly No. 126-1324

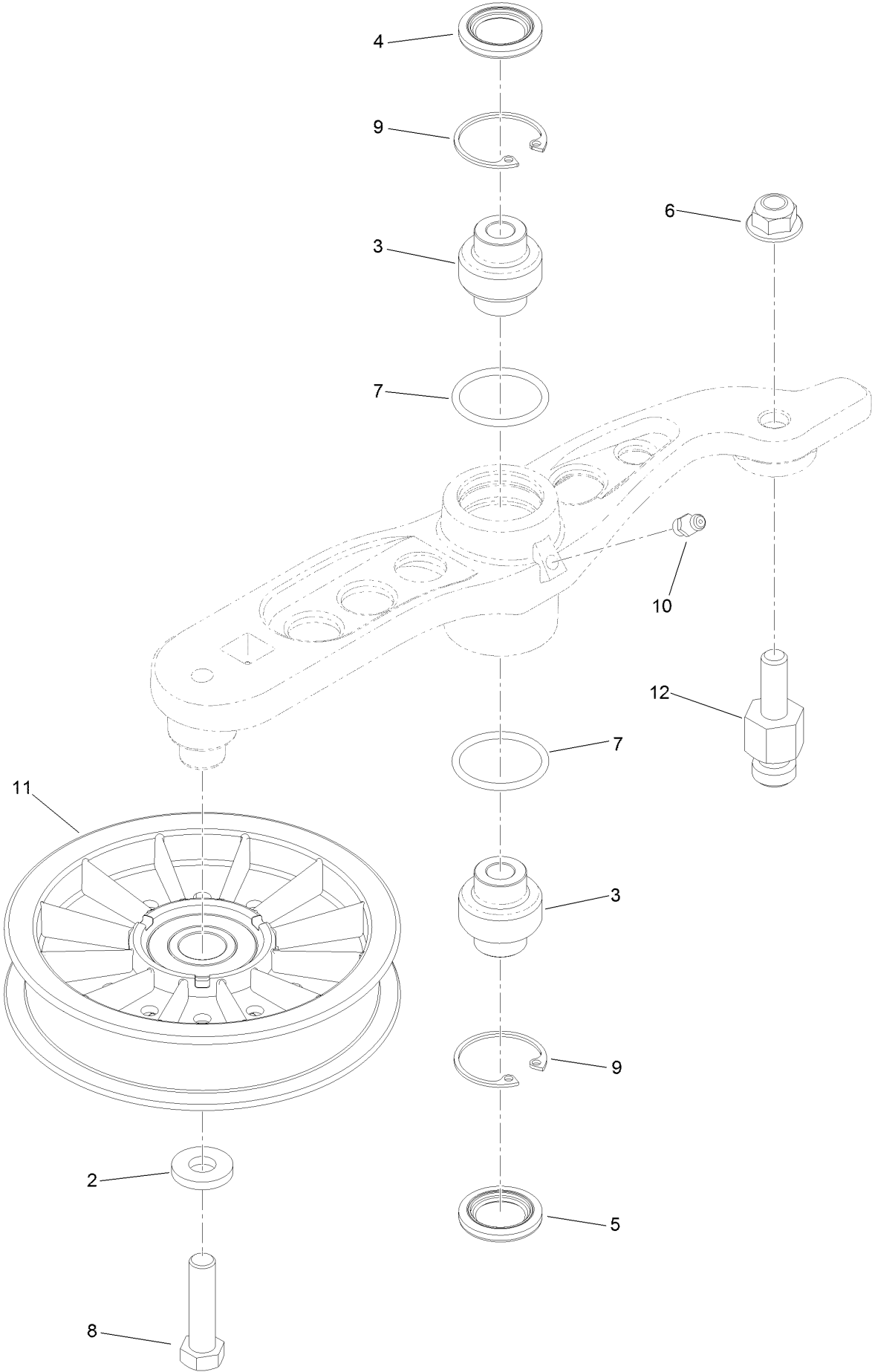


RH Hydro Assembly No. 126-1324 (continued)

<i>Ref.</i>	<i>Part Number</i>	<i>Qty.</i>	<i>Description</i>	<i>Ref.</i>	<i>Part Number</i>	<i>Qty.</i>	<i>Description</i>
1	116-9063	1	Mount-Shoe, Horse	13	3257-42	1	Key-Woodruff
2	116-0233	1	Fan Kit	15	116-3288	1	Housing-RH
3	116-0234	1	Pulley Kit	16	116-8916	1	Motor-Hydraulic RH 240Cc
4	116-0235	1	Handle-Bypass Valve, Hydro	17	116-7901	1	Magnetic Plugs Service Kit
5	116-0236	1	Dipstick-Hydro W/Gasket	18	76-1900	2	O-Ring
6	116-0237	1	Gasket-Dipstick, Hydro	19	116-8662	2	O-Ring-Check Valve
7	116-1367	1	Swash Block Kit	20	116-8974	4	Screw HH
8	116-1368	1	Pump Seal Kit	21	116-8975	2	Screw-HSH
9	116-1369	1	Motor Seal Kit	22	116-9922	2	Hydraulic Tube Kit
10	116-1370	1	Tube Seal Kit	23	126-7466	2	Shock Valve, 12Cc Hydro
11	116-1371	1	Output Shaft Seal Kit	24	126-7711	1	Seal-Fan Drive
12	116-5469	1	Nose Cup-Uht	99	116-4245	1	Puller-Pulley Uht ●
				99	116-1373	1	Flow Test Kit ●

● Not illustrated

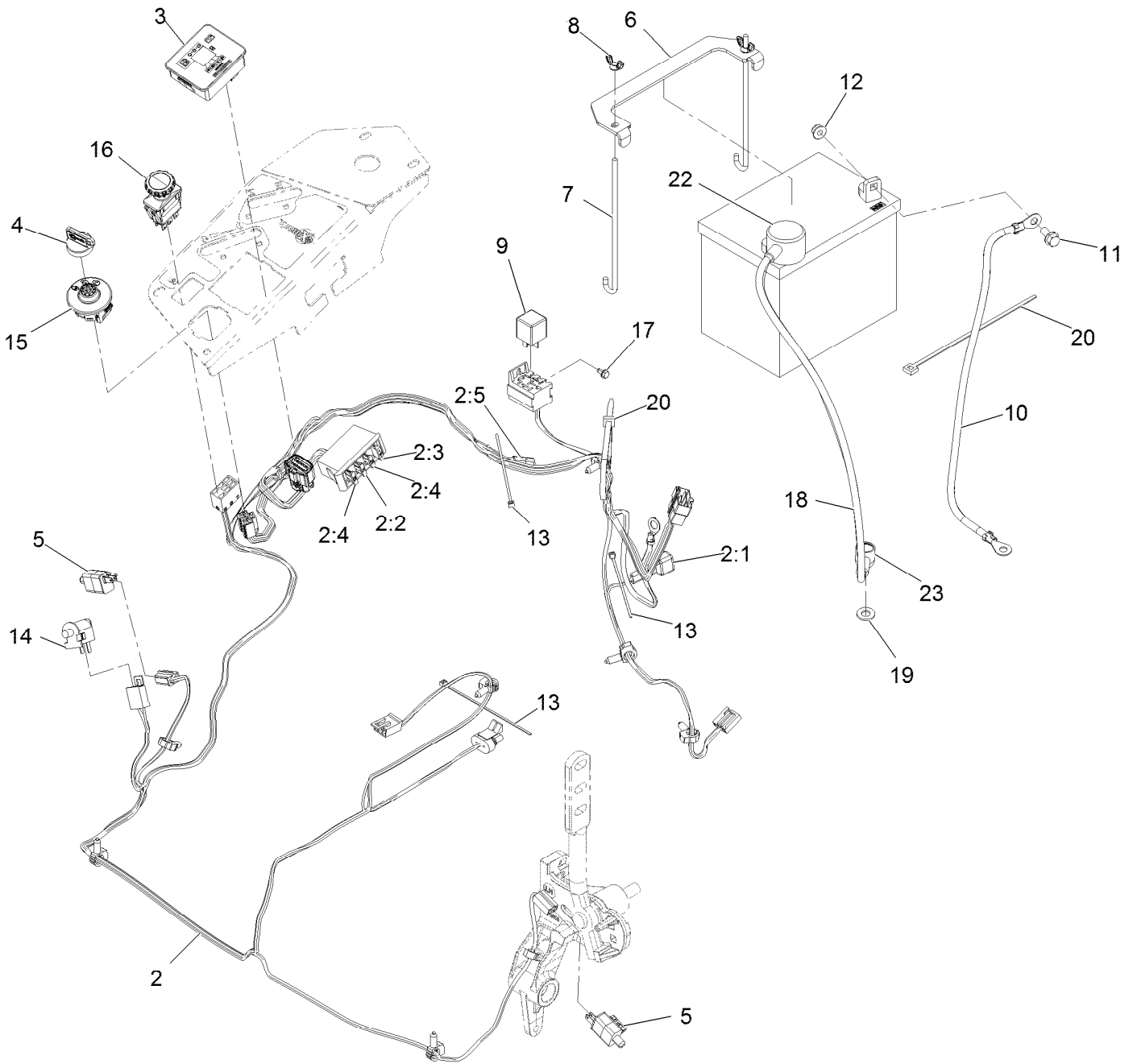
Pump Idler Assembly No. 116-1255



Pump Idler Assembly No. 116-1255 (continued)

<i>Ref.</i>	<i>Part Number</i>	<i>Qty.</i>	<i>Description</i>	<i>Ref.</i>	<i>Part Number</i>	<i>Qty.</i>	<i>Description</i>
2	43-0940	1	Spacer	8	323-8	1	Screw-HH
3	103-3504	2	Bearing-Spherical	9	32120-10	2	Ring-Snap
4	103-3505	1	Seal-Double Lip	10	302-19	1	Fitting-Grease
5	103-3506	1	Seal-Lip, Single	11	109-8076	1	Pulley-Idler
6	109-6658	1	Nut-Flange, NI	12	116-3467	1	Pin-Spring, Anchor
7	106-7159	2	O-Ring				

Electrical Assembly



Electrical Assembly (continued)

<i>Ref.</i>	<i>Part Number</i>	<i>Qty.</i>	<i>Description</i>	<i>Ref.</i>	<i>Part Number</i>	<i>Qty.</i>	<i>Description</i>
2	116-6009	1	Harness-Wire, Main ●	10	114-1218	1	Cable-Battery, Negative
2:1	103-3895	1	Diode	11	3234-5	2	Screw-HH Flg 5/16-18 X 3/4
2:2	218-578	1	Fuse-Blade, 10 Amp	12	104-8300	2	Nut-Nyloc 5/16-18 Flg
2:3	109355	1	Fuse-Blade, 15 Amp	13	1-303287	3	Tie-Cable 5 1/2 (Small)
2:4	109102	2	Fuse-Blade, 25 Amp	14	82-2190	1	Switch
2:5	116-0053	1	Cap-Plug	15	117-2221	1	Switch-Ignition
3	117-3882	1	Fuel/Hour Meter ASM	16	116-0124	1	Switch-PTO, 10A
4	1-603511	1	Key-Ignition	17	104-2065	1	Screw-HWH #10-24 X 3/8
4	103-2106	1	Key-Exmark Logo	18	115-3864	1	Cable-Battery, Positive
5	110-6765	2	Switch	19	3256-24	1	Washer-3/8 Sae
6	116-0042-03	1	Strap-Tie Down, Battery	20	1-303335	2	Tie-Cable 7 15/16 (Large)
7	1-633651	2	Bolt-Holddown	22	109-2407	1	Insulator-Battery
8	1-543792	2	Wingnut-Nyloc 1/4-20	23	1-543393	1	Insulator-Solenoid
9	1-643275	1	Relay-12Vdc 40 Amp				

● Use dielectric grease on all unsealed connectors and terminals only. Do not apply in sealed connectors.

Notes:



MAXIMIZE THE PERFORMANCE OF YOUR EXMARK MACHINE.



EXMARK® PREMIUM ENGINE OIL

Exmark now offers a family of engine oil viscosities to perform well in any environment. Each viscosity has the same synthetic formulation to give you what you need in punishing conditions. We designed each grade to the highest quality, making it ideal even for diesel applications. Coupled with Exmark Premium Fuel Treatment, we have the performance products to make your machine hum.

EXMARK PREMIUM ENGINE OIL SAE 30/10W-30

- Meets zero shear requirements of a straight grade SAE 30 as well as the cold temp properties of a 10W-30.
- Most versatile oil in the industry.
- Superior corrosion protection over conventional oil - even in corrosive, humid environments.

EXMARK PREMIUM ENGINE OIL SAE 20W-50

- Perfect for your big block engine, or any application in severe service.
- Same full synthetic formulation as all other Exmark Premium viscosities.
- Also effective for use in severe service small block engines.

EXMARK PREMIUM ENGINE OIL SAE 10W-50

- Full synthetic formulation gives you peak performance. Don't settle for less.
- Wide span multi-grade combines easy starting in cold weather with maximum protection in high temperature operation.
- Reduce friction & wear over standard mineral formulations.

EXMARK PREMIUM ENGINE OIL SAE 0W-40

- The perfect choice for when the weather turns cold or unpredictable, and your Exmark UTV has to perform.
- Commercial quality for severe service.
- Advanced additive package helps prevent corrosion from long-term storage.

EXMARK PREMIUM ENGINE OIL UTV FORMULATION

- 4-cycle high-temp formulation.
- Heavier viscosity, full synthetic, perfect for your UTV.

EXMARK PREMIUM UTV EXTREME CONDITIONS GEAR OIL

- SAE 80W-90, designed to keep your UTV performing at its peak.
- Shear stable, hypoid gear lube.
- Includes a premium additive system to combat wear, oxidation, rust & corrosion.

Available from your local Exmark dealer. Find your closest dealer at exmark.com

EXMARK ACCESSORIES AND OPTIONS*

MID-MOUNT RIDING ACCESSORIES AND OPTIONS

CUSTOM RIDE SEAT SUSPENSION SYSTEM	OPERATOR CONTROLLED DISCHARGE
FULL SUSPENSION SEAT	SUN SHADE
DECK LIFT ASSIST KIT	TRASH CONTAINER
HITCH KIT	TURF STRIPER
LIGHT KIT	ULTRA VAC COLLECTION SYSTEM
12V POWER PORT	ULTRA VAC QUICK DISPOSAL SYSTEM
MICRO-MULCH SYSTEM	

OUT-FRONT RIDING ACCESSORIES AND OPTIONS

CUSTOM RIDE SEAT SUSPENSION SYSTEM	SNOW BLADE
DUAL-TAIL WHEEL	SNOWBLOWER
FLOOR PAN EXTENDER	SUN SHADE
HITCH KIT	TRASH CONTAINER
LIGHT KIT	ULTRA VAC COLLECTION SYSTEM
MICRO-MULCH SYSTEM	ULTRA VAC QUICK DISPOSAL SYSTEM
ROLL OVER PROTECTION SYSTEM (ROPS)	WEATHER CAB

WALK-BEHIND ACCESSORIES AND OPTIONS

GRASS CATCHER	TURF STRIPER
MICRO-MULCH SYSTEM	STANDON

*Some accessories and options not available for some models.

Place Model No. and Serial No.
Label Here (Included in the Literature
Pack) or Fill in Below

Model No. _____

Serial No. _____

Date Purchased _____

Engine Model No. and Spec. No. _____

Engine Serial No. (E/No) _____

© 2015 Exmark Mfg. Co., Inc.
Industrial Park Box 808
Beatrice, NE 68310
All Rights Reserved

Part No. 4502-689 Rev. A
(402) 223-6300
Fax (402) 223-5489
Printed in the USA.

