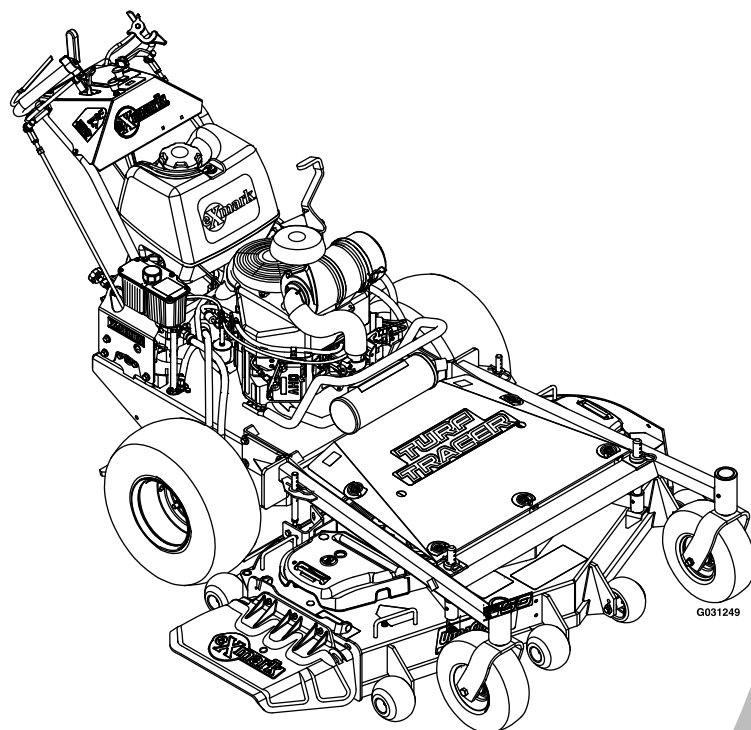




TURF TRACER® X-SERIES

Model No. TTX691CKA60400—Serial No. 31600000 and Up

Picture below may not reflect actual product.



Parts Manual

Part No. 4502-592 Rev. A

Ordering Replacement Parts

To order replacement parts, please supply the part number, the quantity, and the description of each part desired.

Understanding Reference Numbers

Each identified part in an illustration has a reference number. The reference number for a part also appears in the parts list, along with other information about the part.

This catalog uses two special reference number formats, one to indicate parts in a service assembly and another to indicate the quantity of a given part in an illustration.

Service Assembly Reference Numbers

Parts in service assemblies have reference numbers in the form a:b. The a represents the reference number of the entire service assembly and the b represents a sequential number unique to each part within the service assembly.

For example, a wheel assembly might be identified by reference number 6, the tire by 6:1, the valve by 6:2, and the wheel by 6:3. When you order the assembly identified by reference number 6, you receive all parts identified by reference numbers 6:1, 6:2, and 6:3. However, you may also order any part individually. Reference numbers of this type appear in illustration and in parts lists.

Reference Numbers Indicating Quantity

In an illustration, if a reference number indicates more than one part, the reference number has the form nX y. The n represents the quantity of the part, the X is the multiplication symbol, and the y represents the reference number.

For example, in an illustration, the reference number 2X 37 means that two of the parts identified by reference number 37 are indicated.

List of Abbreviations

AR: as required	HLH: hex lag head	PTH: phillips truss head
ASM: assembly	HOC: height-of-cut	PTO: power-take-off
BBC: blade brake control	HP: high pressure	RH: right hand
BHTF: button head thread forming	HSBH: hex socket button head	ROPS: roll-over protection system
CARR: carriage	HSFH: hex socket flat head	RRB: rear roller brush
CCW: counter clockwise	HSH: hex socket head	SFH: slotted fillister head
CW: clockwise	HWH: hex washer head	SHH: slotted hex head
DEG: degrees	HWHTF: hex washer head thread forming	SHWH: slotted hex washer head
DPA: Dual Point Adjustment	HYD: hydraulic	SPH: slotted pan head
ECM: electronic control module	LH: left hand	SQH: square head
EXT: external	LP: low pressure	SRH: slotted round head
FH: flat head	LPG: Liquefied Petroleum Gas	STD: standard
GA: gauge	NI: nylon insert	TAP: self tapping
HD: heavy-duty	NPTF: national pipe thread fine	TTH: torx truss head
HF: hex flange	PFH: phillips flat head	
HH: hex head	PPH: phillips pan head	
HHF: hex head flange	PPHTF: phillips pan head thread forming	
HHFTF: hex head flange thread forming	PRH: phillips round head	
HJ: hex jam		

Touch Up Paint

Exmark black touch up spray paint – gloss black.

Exmark red touch up paint (spray paint – P/N 1-850337 - .6 oz liquid bottle – P/N 103-9140).

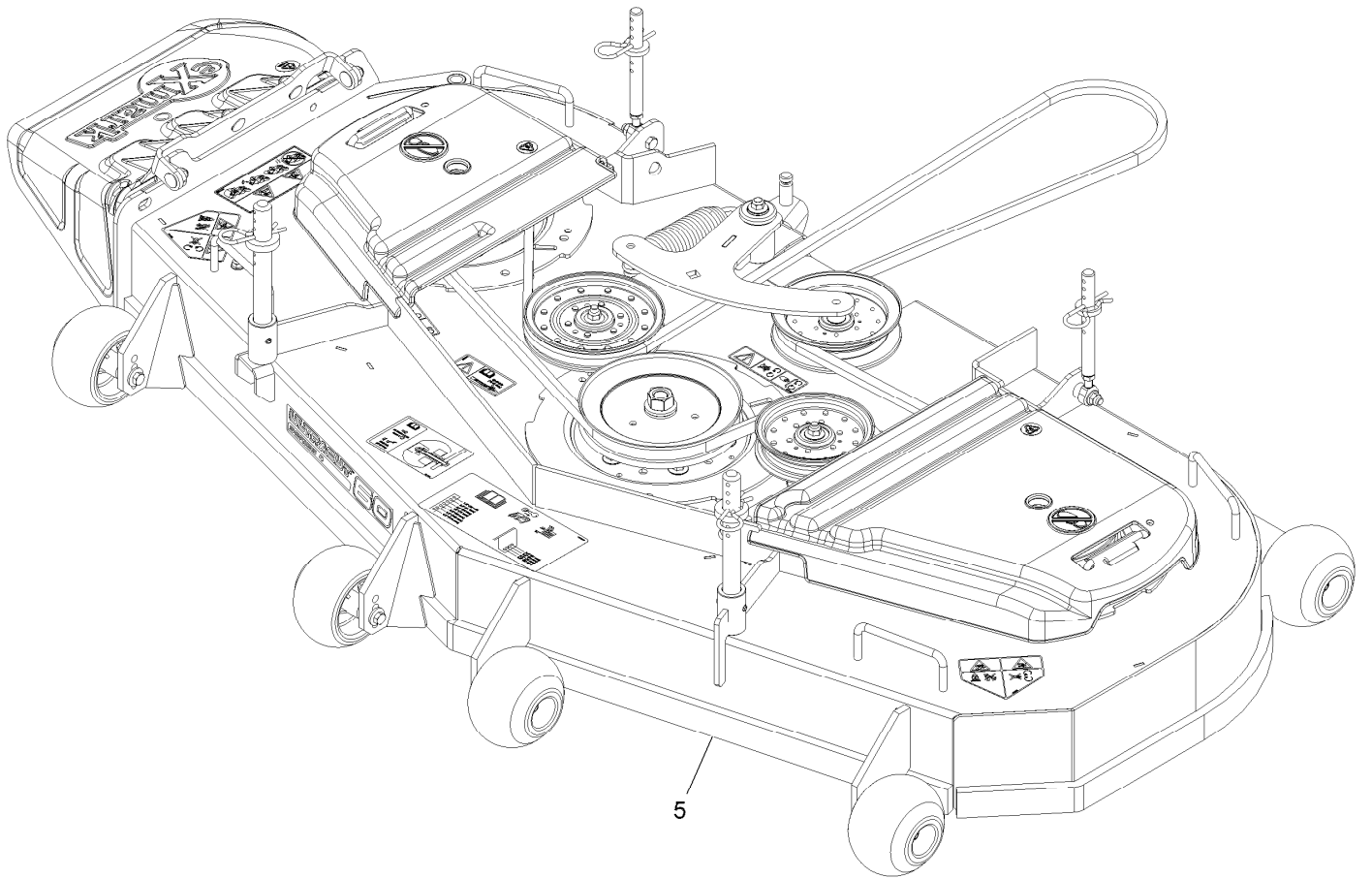


If your Exmark dealer does not have the Exmark part in stock, Exmark will get the parts to the dealer the next business day or the part will be FREE Guaranteed!! (Some restrictions apply. See your participating Exmark Dealer for details.)

Contents

Complete Deck Assembly.....	4
Deck Assembly.....	6
Deck W/Decals Assembly No. 126-2570.....	8
Deck Idler Assembly No. 126-2314.....	10
Frame Assembly.....	12
Front Frame Assembly No. 126-2540.....	14
ECS Upper Handle Controls Assembly.....	16
Controls Assembly.....	18
Engine Deck Assembly.....	20
Engine Assembly.....	22
Fuel Assembly.....	24
Hydro Assembly.....	26
Electrical Assembly.....	28

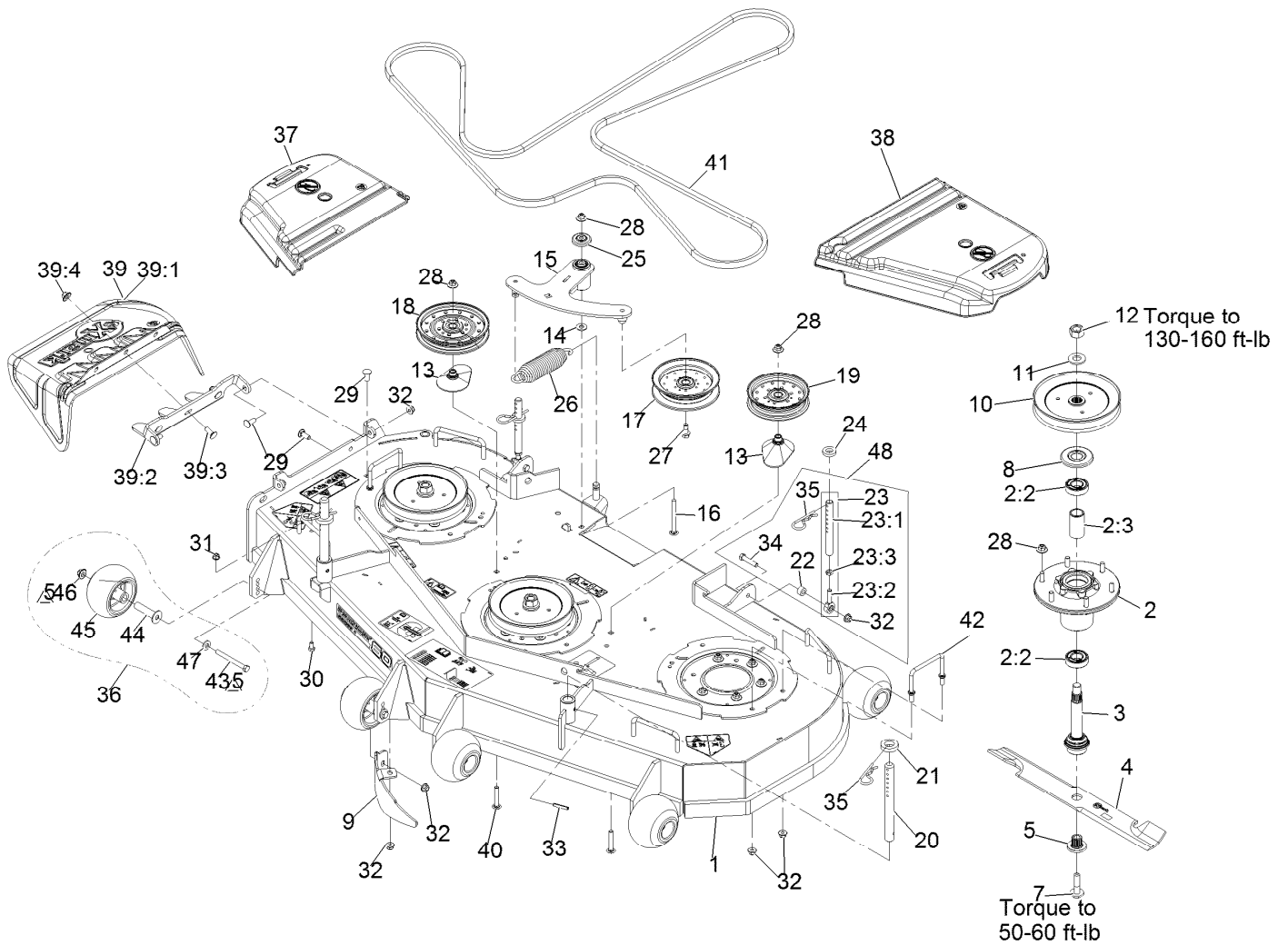
Complete Deck Assembly



Complete Deck Assembly (continued)

<i>Ref.</i>	<i>Part Number</i>	<i>Qty.</i>	<i>Description</i>
5	126-2537	1	ASM, Complete Deck, 60

Deck Assembly



12 Torque to
 130-160 ft-lb
 7
 Torque to
 50-60 ft-lb
 Apply lubricant to threads
 as needed to prevent seizing.
 Copper based antiseize preferable.
 Grease is an acceptable substitute.

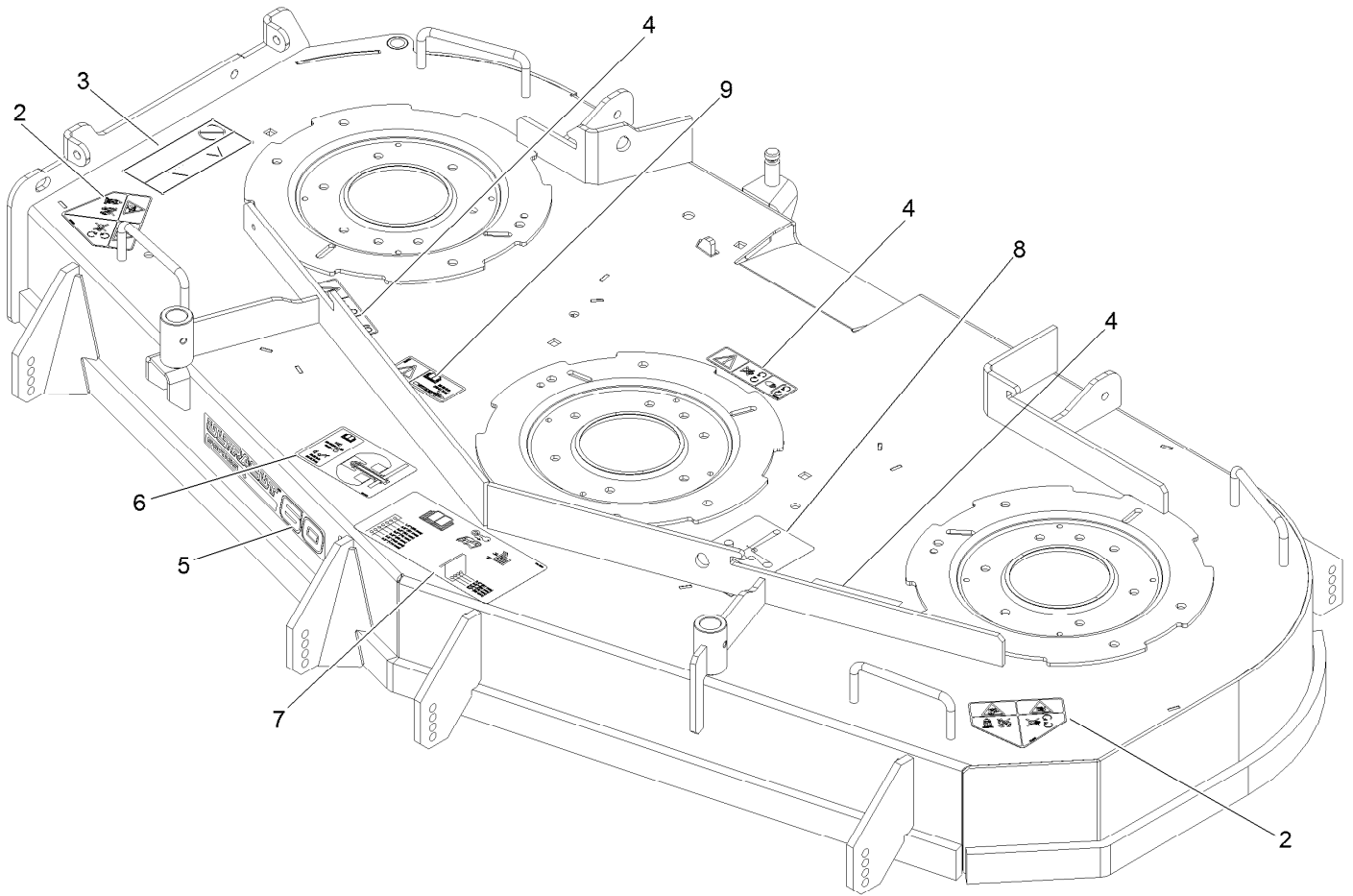
Deck Assembly (continued)

<i>Ref.</i>	<i>Part Number</i>	<i>Qty.</i>	<i>Description</i>	<i>Ref.</i>	<i>Part Number</i>	<i>Qty.</i>	<i>Description</i>
1	126-2570	1	ASM, Deck W/ Decals, 60"	23:3	3220-3	1	Nut-Jam 3/8-24
2	116-3344	3	ASM-Cutter Hsg With Bearings	24	1-323539	2	Spacer-Blade Drive
2:2	116-0720	2	Bearing-Ball	25	103-2916	1	Guard-Top
2:3	116-3312	1	Spacer-Bearing	26	116-6317	1	Spring-Extension
3	116-3341	3	ASM-Spindle And Seal ■	27	126-1680	1	Screw-Hfh
4	116-5174	3	Blade-Extreme 2, 20.50"	28	109-6658	21	Nut-Nyloc 3/8-16 Flg
4	103-6403	3	Blade, Notched	29	3231-22	4	Bolt-Carriage 3/8-16 X 1
4	103-6393	3	Blade, Mulching ●	30	322-2	1	Screw-HH 5/16-18 X 5/8
4	103-6388	3	Blade, Low Lift	31	104-8300	1	Nut-Nyloc 5/16-18 Flg
4	103-6383	3	Blade, Solid	32	104-8301	10	Nut-Nyloc 3/8-16 Flg
5	103-3037	3	Bushing, Splined	33	1-806332	2	Rollpin 1/4 X 1 1/2
7	109-9220	3	Screw-Sems 1/2-20 X 2.19	34	323-9	2	Screw-HH 3/8-16 X 1 3/4
8	116-1286	3	Guard,Bearing Top .989	35	1-806009	4	Hairpin-Cotter #206
9	116-5614-01	1	Dogleg - Lz60	36	116-9981	6	Kit, Anti-Scalp Roller
10	116-0676	3	Sheave,Blade Drive 7.25	37	116-0094	1	Cover-Belt, RH
11	103-2802	3	Washer-Spring Disc 3/4	38	109-6938	1	Cover-Belt, LH
12	116-7306	3	Nut-Hex	39	109-7188	1	ASM,Discharge Chute
13	109-2872	2	Spacer-Pulley	39:1	109-2738	1	Chute, Discharge
14	3256-4	1	Washer-3/8 Std	39:2	109-8675-01	1	Bracket,Discharge Chute
15	126-2314	1	ASM, Deck Idler	39:3	3231-22	3	Bolt-Carriage 3/8-16 X 1
16	3231-24	1	Bolt-Carriage 3/8-16 X 3 3/4	39:4	109-6658	3	Nut-Nyloc 3/8-16 Flg
17	116-4668	1	Idler-Pulley, Flanged	40	3231-40	2	Bolt-Carriage 3/8-16 X 2 1/4
18	116-4667	1	Idler-Pulley, Flat	41	126-2539	1	Belt, Deck Drive
19	116-4665	1	Idler-Pulley, Flat	42	109-6982	2	Wireform-Cover
20	1-603001	2	Rod, Deck Support	43	116-9362	6	Screw-HH 3/8-16 X 3 3/4 Gr 8
21	1-413425	2	Spacer-Deck Support	44	116-8131	6	Axle, Roller
22	1-603050	2	Spacer	45	103-8415	6	Roller-Anti-Scalp
23	1-414521	2	Link Assy	46	109-6658	6	Nut-Nyloc 3/8-16 Flg
23:1	1-413525	1	Link, Rear Deck Support	47	98-5975	6	Washer-Spring Disc 3/8
23:2	1-613204	1	Balljoint	48	1-411532	2	Kit, Support Link W/Pin

● Requires installation of mulch kit for proper mulching. See your Exmark dealer for details.

■ Apply Mobil HTS grease (P/N 103-5217 1.5 oz packet) (or a food-grade anti-seize). See operator s manual for locations.

Deck W/Decals Assembly No. 126-2570



Deck W/Decals Assembly No. 126-2570 (continued)

<i>Ref.</i>	<i>Part Number</i>	<i>Qty.</i>	<i>Description</i>	<i>Ref.</i>	<i>Part Number</i>	<i>Qty.</i>	<i>Description</i>
2	112-8760	2	Decal-Danger	6	126-0898	1	Decal-Roller Mounting
3	114-3489	1	Decal-Warning, Bagger	7	116-8278	1	Decal-Anti-Scalp
4	112-9028	3	Decal-Missing, Cover	8	116-8727	1	Decal-Belt Routing
5	126-6589	1	Decal, 604	9	116-8283	1	Decal-Bolt Torque

Deck Idler Assembly No. 126-2314

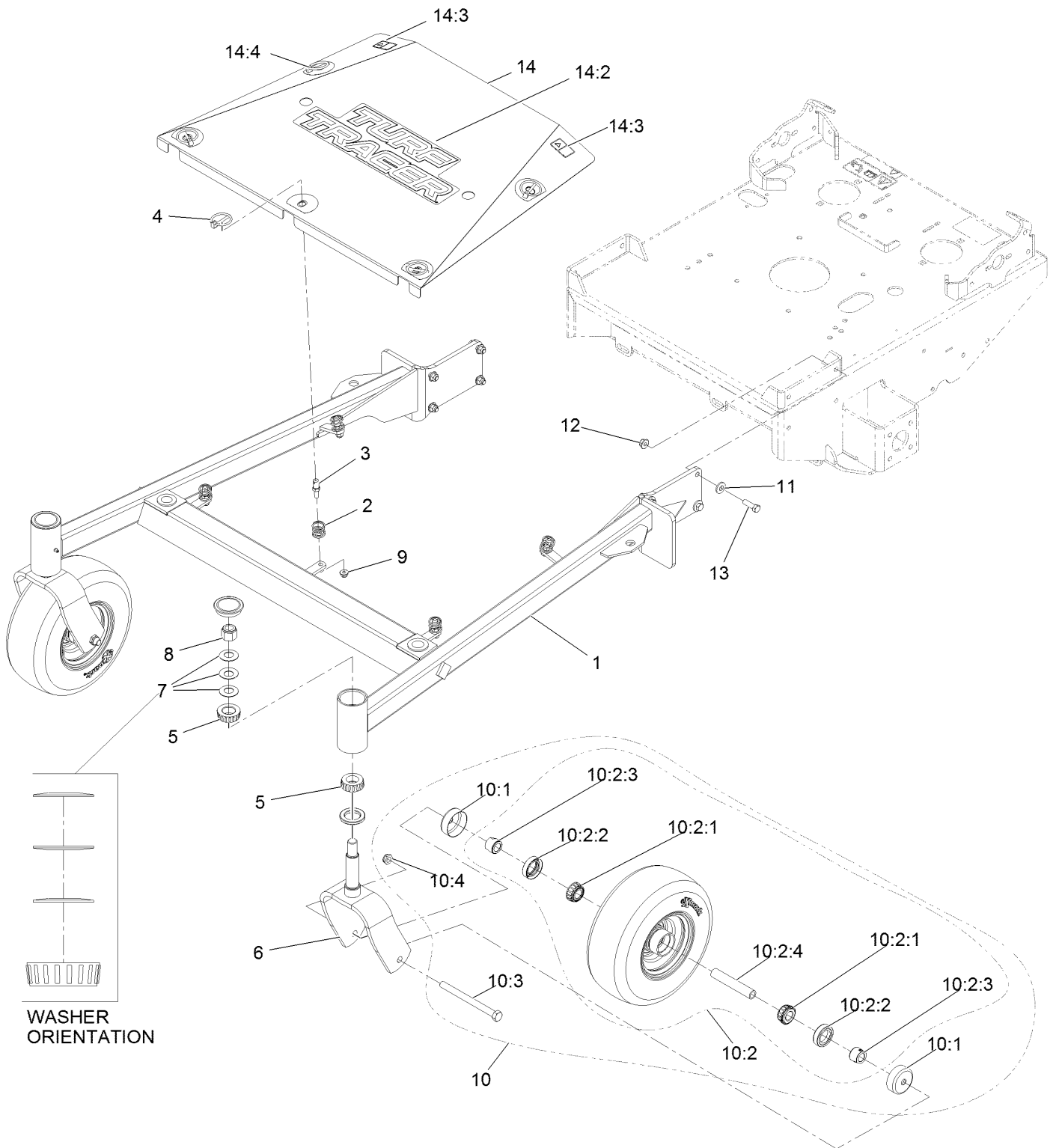


Deck Idler Assembly No. 126-2314 (continued)

<i>Ref.</i>	<i>Part Number</i>	<i>Qty.</i>	<i>Description</i>	<i>Ref.</i>	<i>Part Number</i>	<i>Qty.</i>	<i>Description</i>
1		1	Weld, Idler Arm ●	5	103-5677	1	Spacer
2	106-7159	2	O-Ring	6	103-3505	1	Seal-Double Lip
3	32120-10	2	Ring-Snap	7	103-3506	1	Seal-Lip, Single
4	103-3504	2	Bearing-Spherical	8	302-40	1	Fitting-Grease, 90 DEG

● Not serviced separately

Frame Assembly

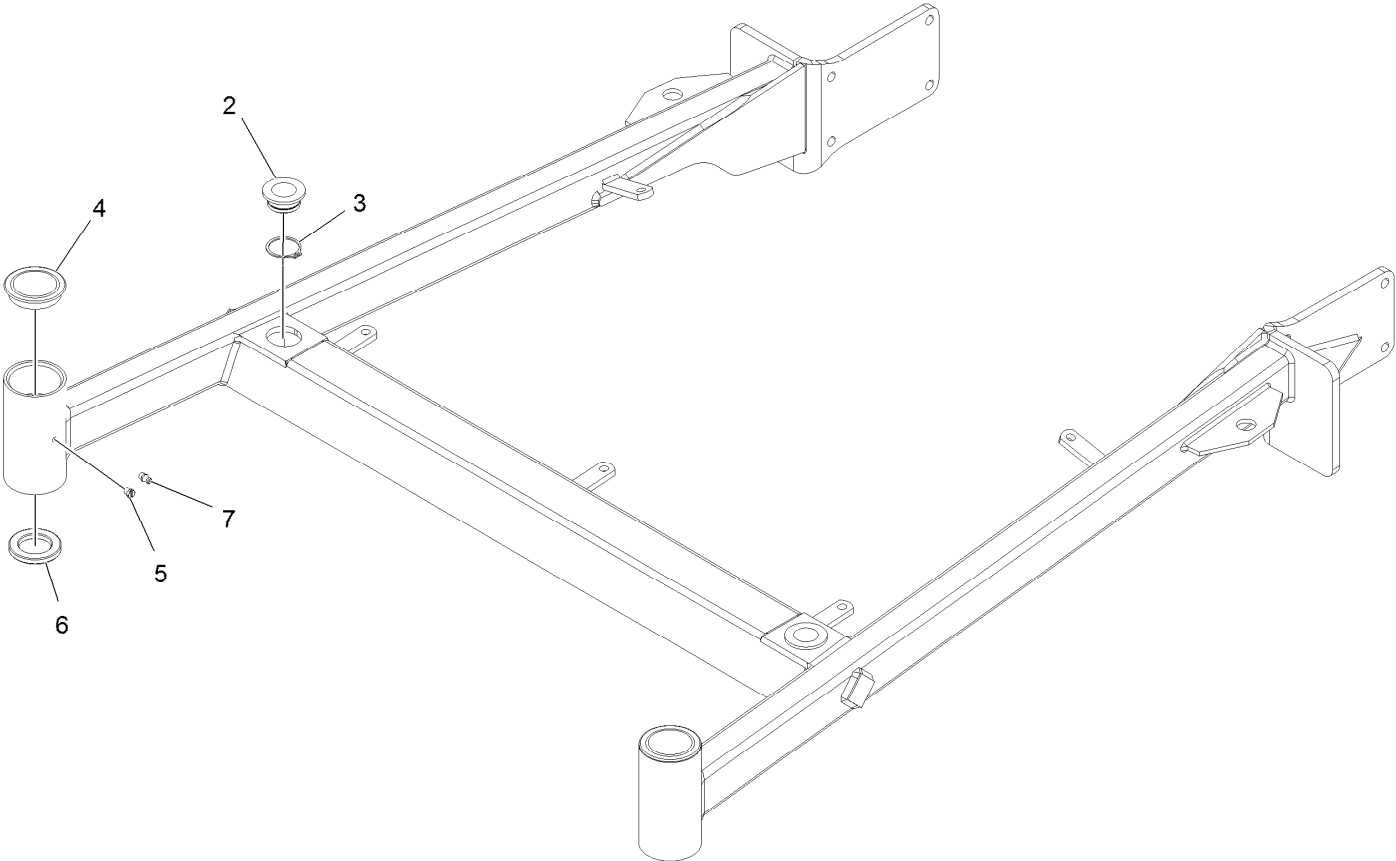


Frame Assembly (continued)

<i>Ref.</i>	<i>Part Number</i>	<i>Qty.</i>	<i>Description</i>	<i>Ref.</i>	<i>Part Number</i>	<i>Qty.</i>	<i>Description</i>
1	126-2541	1	ASM, Front Frame W/ Bearings, 60	10:2:2	103-0063	2	Seal-Double Lip
2	126-1503	5	Spring	10:2:3	103-3051	2	Spacer-Nut
3	126-1504	5	Pin, Spring	10:2:4	103-3157	1	Axle-Caster
4	92-1298	5	Pin-Lynch	10:3	325-20	1	Screw-HH 1/2-13 X 6
5	1-543509	4	Cone-Bearing Tapered Roller	10:4	3296-45	1	Nut-Nyloc 1/2-13 Thin
6	103-1891-01	2	Wld, Caster Fork	11	98-5975	8	Washer-Spring Disc 3/8
7	1-633508	6	Washer-Spring Disc	12	104-8301	8	Nut-Nyloc 3/8-16 Flg
8	3296-51	2	Nut-Nyloc 3/4-10	13	323-7	8	Screw-HH 3/8-16 X 1 1/4
9	104-8300	5	Nut-Nyloc 5/16-18 Flg	14	126-2545	1	ASM, Center Shield W/ Decals, 60
10	109-3524	2	Asm, Wheel And Bearings	14:2	126-6892	1	Decal-Turf Tracer
10:1	103-2768	2	Guard-Seal	14:3	106-5517	2	Decal-Warning, Hot Surface
10:2		1	ASM, Wheel And Bearing ●	14:4	126-1692	5	Decal-Scratch Cover
10:2:1	1-633585	2	Bearing-Cone Tapered Roller				

● Not serviced separately

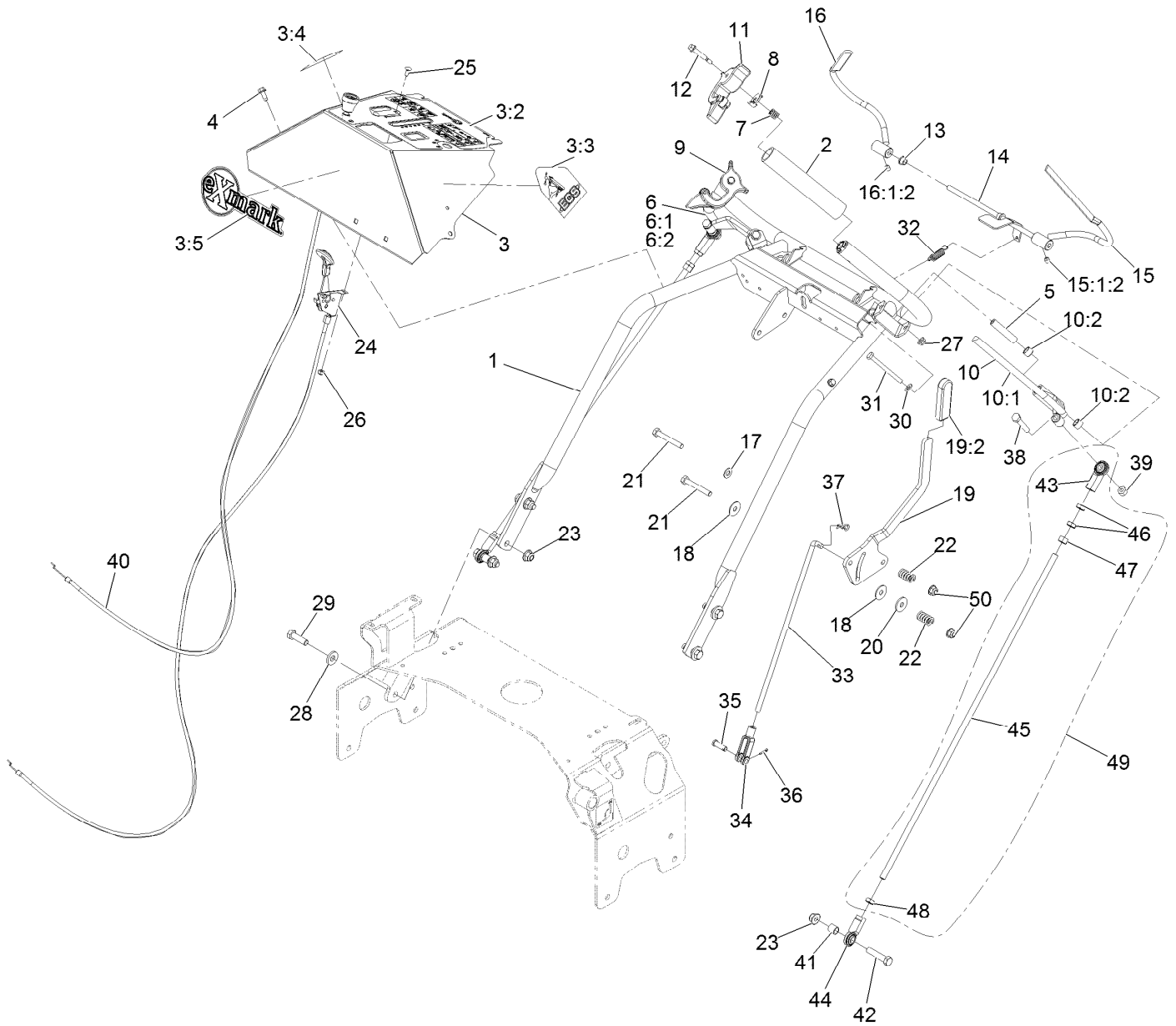
Front Frame Assembly No. 126-2540



Front Frame Assembly No. 126-2540 (continued)

<i>Ref.</i>	<i>Part Number</i>	<i>Qty.</i>	<i>Description</i>	<i>Ref.</i>	<i>Part Number</i>	<i>Qty.</i>	<i>Description</i>
2	1-513336	2	Bushing-Deck	5	1-811010	2	Plug
3	32120-33	2	Ring-Retaining	6	1-543511	2	Seal-Grease
4	103-4882	2	Cap-Grease	7	302-19	1	Zerk-1/4-28 Str

ECS Upper Handle Controls Assembly



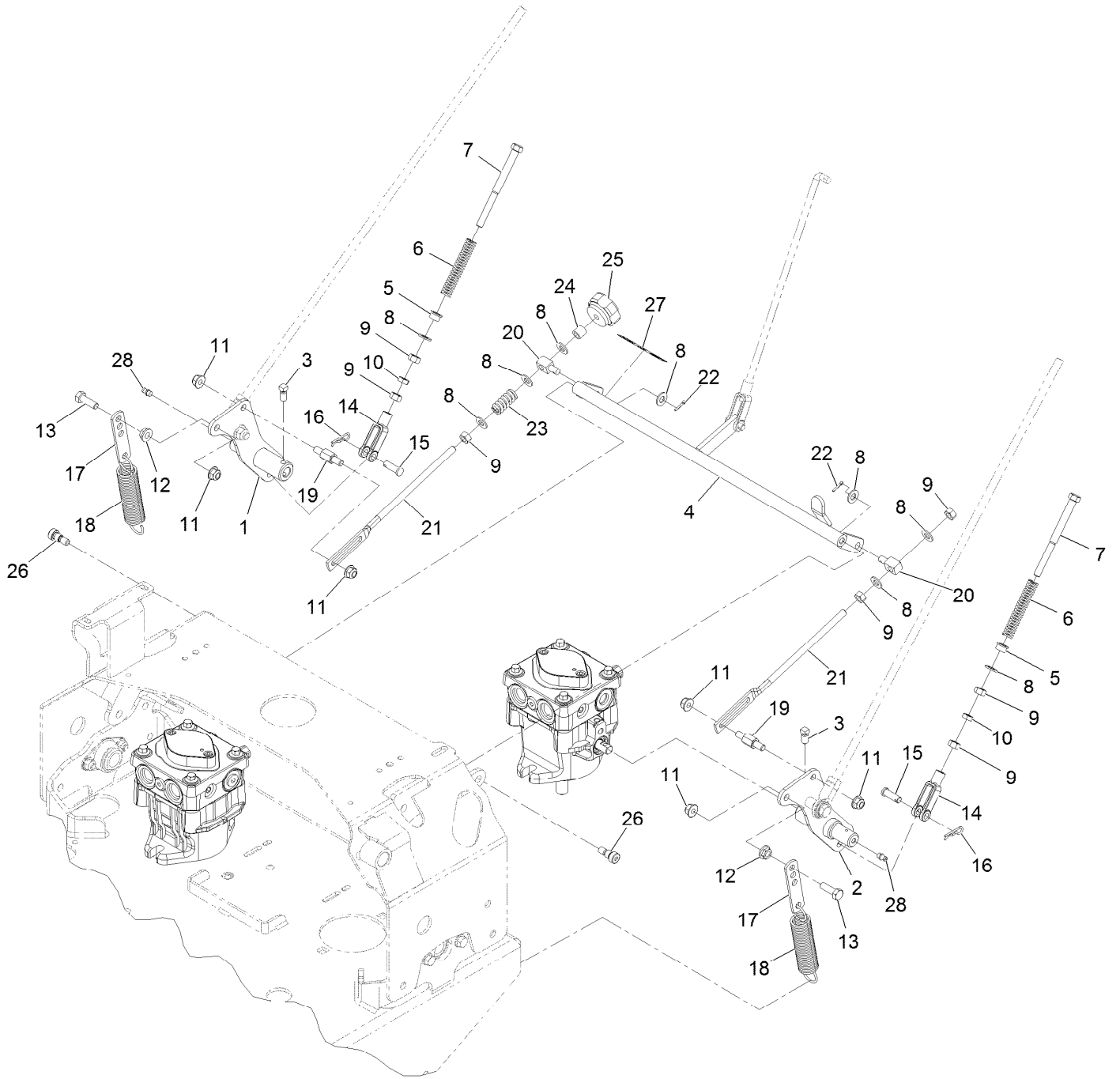
ECS Upper Handle Controls Assembly (continued)

<i>Ref.</i>	<i>Part Number</i>	<i>Qty.</i>	<i>Description</i>	<i>Ref.</i>	<i>Part Number</i>	<i>Qty.</i>	<i>Description</i>
1	126-2642-03	1	Weld, Handle	21	322-11	2	Screw-HH 5/16-18 X 2 1/4
2	103-0815	2	Grip-Bar, Handle	22	1-323245	2	Spring-Compression
3	126-3541	1	ASM, Console W/ Decals	23	104-8301	6	Nut-Nyloc 3/8-16 Flg
3:2	126-3316	1	Decal-Console Ttx Kaw	24	109-3958	1	Control-Throttle
3:3	103-2242	1	Decal, Ecs Instruction LH	25	1-807513	2	Bolt-Carriage #10-24 X 1/2
3:4	103-2243	1	Decal, Ecs Instruction RH	26	3296-2	2	Nut-Nyloc #10-24
3:5	126-6877	1	Decal, Exmark Logo	27	104-7201	2	Nut-Nyloc 1/4-20 Flg
4	32144-10	2	Screw-HWH 1/4-20 X .62	28	98-5975	4	Washer-Spring Disc 3/8
5	103-0027	2	Bushing-Lever, Drive	29	323-7	4	Screw-HH 3/8-16 X 1 1/4
6	103-2513	1	Asm, Drive Lever RH	30	3256-22	2	Washer-1/4 Sae
6:1	116-4082	1	Wld,RH Drive Lever	31	321-14	2	Screw-HH 1/4-20 X 2 3/4
6:2	1-413152	2	Bushing-Sleeve	32	1-303363	1	Spring-Extension
7	1-633349	2	Spring-Compression	33	1-413225	1	Rod, Speed Control
8	126-2921	2	Latch, Ecs	34	1-303105	1	Yoke-Adjustable
9	103-1371	1	Thumb Latch Asm RH	35	1-808280	1	Pin-Clevis 5/16 X 1 49/64
10	103-2514	1	Asm, Drive Lever LH	36	3272-5	1	Pin-Cotter 3/32 X 1/2
10:1	116-4081	1	Wld,LH Drive Lever	37	1-806003	1	Hairpin-Cotter
10:2	1-413152	2	Bushing-Sleeve	38	322-9	2	Screw-HH 5/16-18 X 1 3/4
11	103-1372	1	Thumb Latch Asm LH	39	3296-29	2	Nut-Nyloc 5/16-18
12	126-2931	2	Screw-Shoulder	40	126-2107	1	Cable, Choke
13	1-303365	2	Bushing-Nylon	41	103-1166	2	Spacer-Tube, Pump Link
14	103-0769-03	1	Rod Weldment, Opc	42	323-9	2	Screw-HH 3/8-16 X 1 3/4
15	116-4079	1	Wld,LH Opc Lever ■	43	103-2463	4	Balljoint
15:1:2	1-803322	1	Setscrew-5/16-24 X 5/16 ●	44	103-1167	2	Joint-Ball End
16	116-4080	1	Wld,RH Opc Lever ■	45	103-1148	2	Rod,Drive Lever
16:1:2	1-803322	1	Setscrew-5/16-24 X 5/16 ●	46	3220-3	4	Nut-Jam 3/8-24
17	3256-23	1	Washer-5/16 Sae	47	3219-3	2	Nut-Hex 3/8-24
18	1-323244	2	Washer-Friction	48	3220-16	2	Nut-Jam 3/8-24 LH
19	126-0148	1	Lever, Shift W/Grip	49	116-3414	2	Drive Link ASM
19:2	103-5994	1	Grip-Handle, Steering	50	104-8300	2	Nut-Nyloc 5/16-18 Flg
20	1-603716	1	Washer-Friction Disc				

● Use Pro-Lock, Nut Type (P/N 1-840022, .5ml tube) on threads.

■ Use Pro-Lock retaining type, Part no. 1-840023 (.5cc tube) on inside of bore of OPC hub.

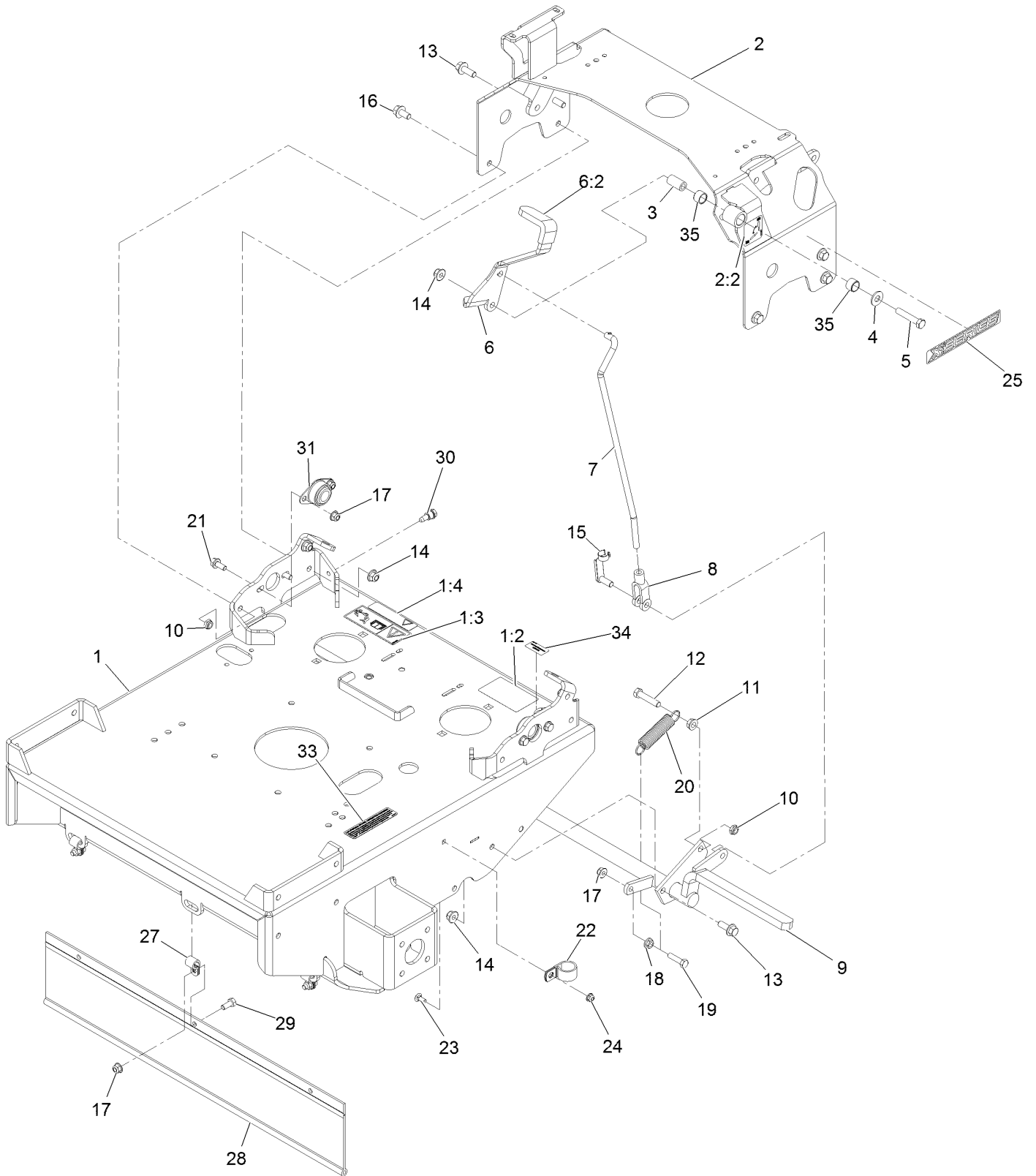
Controls Assembly



Controls Assembly (continued)

<i>Ref.</i>	<i>Part Number</i>	<i>Qty.</i>	<i>Description</i>	<i>Ref.</i>	<i>Part Number</i>	<i>Qty.</i>	<i>Description</i>
1	116-9975	1	Weld, Motion Control, Rt	15	1-808280	2	Pin-Clevis 5/16 X 1 49/64
2	116-9974	1	Weld, Motion Control, Lt	16	1-806003	2	Hairpin-Cotter
3	1-803022	2	Setscrew-5/16-18 X 5/8	17	1-613089	2	Tab-Spring, Extension
4	126-2982-01	1	Weld, Speed Control	18	1-603693	2	Spring
5	1-603735	2	Bushing-Flanged	19	126-0610	2	Pin, Motion Control
6	103-0265	2	Spring, Neutral Return	20	1-603676	2	Swivel-Adjustable, Short
7	1-603737	2	Bolt-Neutral Return	21	1-413350	2	Link-Control, Speed
8	3256-23	9	Washer-5/16 Sae	22	3272-5	2	Pin-Cotter 3/32 X 1/2
9	3219-2	7	Nut-Hex 5/16-24	23	1-323245	1	Spring-Compression
10	3220-2	2	Nut-Jam 5/16-24	24	1-603903	1	Spacer
11	104-8300	6	Nut-Nyloc 5/16-18 Flg	25	103-3060	1	Knob-Tracking
12	32128-20	2	Nut-Whizlock 5/16-18	26	1-809056	2	Screw-Sh 5/16-18 X 1 3/8
13	322-5	2	Screw-HH 5/16-18 X 1	27	116-7918	1	Decal-Tracking Adjustment
14	1-303105	2	Yoke-Adjustable	28	302-19	2	Zerk-1/4-28 Str

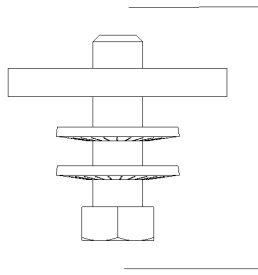
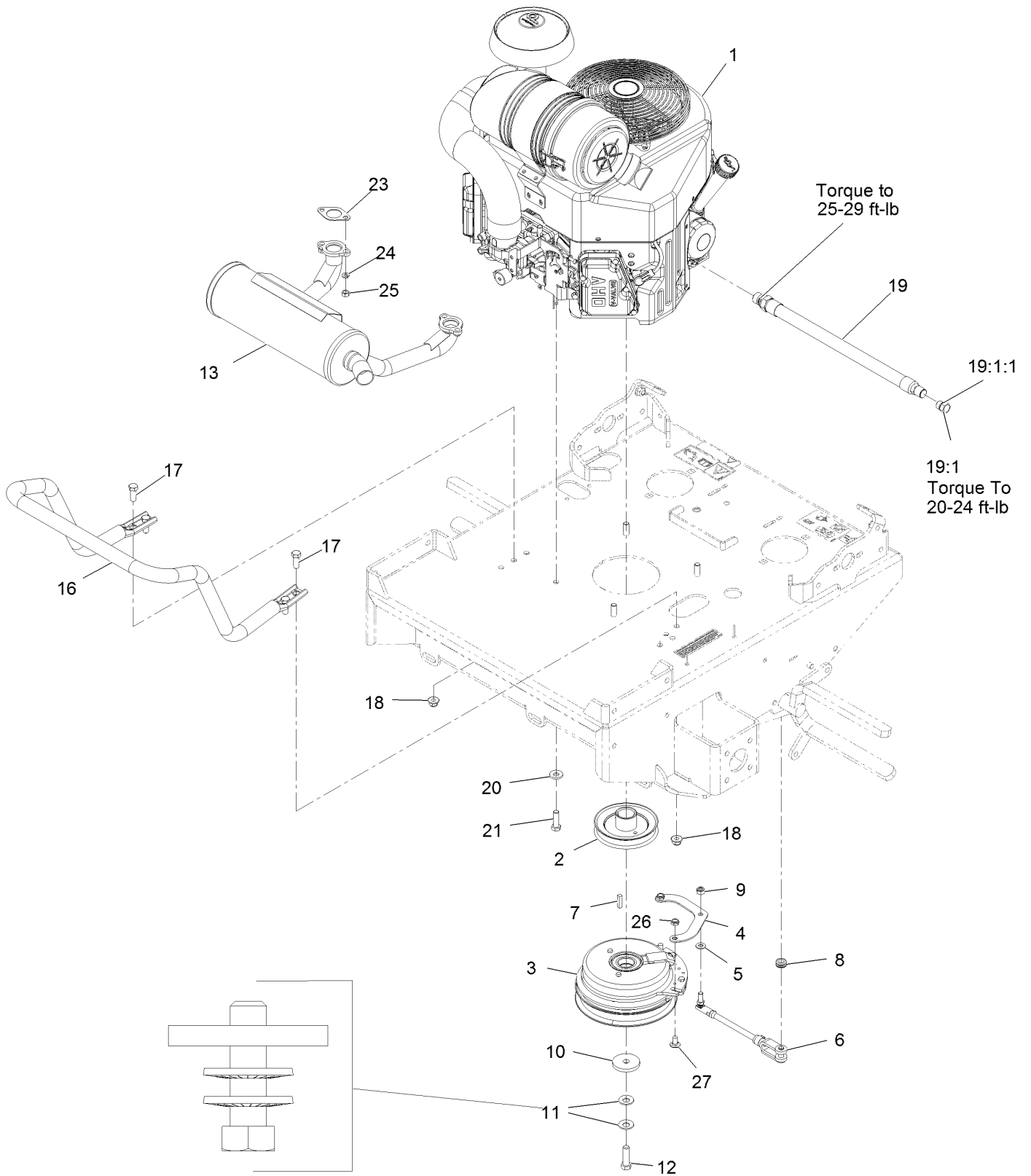
Engine Deck Assembly



Engine Deck Assembly (continued)

<i>Ref.</i>	<i>Part Number</i>	<i>Qty.</i>	<i>Description</i>	<i>Ref.</i>	<i>Part Number</i>	<i>Qty.</i>	<i>Description</i>
1	126-2521	1	ASM, Engine Deck W/ Decals	15	103-2399	1	Pin-Clevis Spring 3/8
1:2	98-1977	1	Decal-Warning	16	3234-12	2	Screw-HH Flg 3/8-16 X 3/4
1:3	126-1400	1	Decal-Warning, Sulky	17	104-8300	8	Nut-Nyloc 5/16-18 Flg
1:4	116-8253	1	Decal-Drive Release	18	32128-20	1	Nut-Whizlock 5/16-18
2	126-2181	1	ASM, Tank Support W/ Decal	19	322-6	1	Screw-HH 5/16-18 X 1 1/4
2:2	116-5988	1	Decal-Park Brake, Ce	20	1-323161	1	Spring
3	1-413344	1	Bushing-Pivot	21	3234-47	4	Screw-HH Flg 5/16-18 X 3/4
4	3256-4	1	Washer-3/8 Std	22	1-643312	1	Clip-Loom
5	323-10	1	Screw-HH 3/8-16 X 2	23	3229-11	1	Bolt-Carriage 1/4-20 X 5/8
6	126-2180	1	ASM, Brake Lever W/ Grip	24	104-7201	1	Nut-Nyloc 1/4-20 Flg
6:2	1-303020	1	Grip-Lever	25	126-6573	2	Decal-X-Series
7	116-9960	1	Linkage-Brake	27	1-413510	3	Clip-Loom
8	1-633131	1	Yoke-Linkage, Brake	28	103-2224	1	Shield, Drag
9	116-9159	1	Wld,Brake Ttx	29	322-3	3	Screw-HH 5/16-18 X 3/4
10	3296-59	3	Nut-Nyloc 3/8-16 Thin	30	115-1958	1	Bolt-Shoulder
11	3290-357	1	Nut-Whizlock 3/8-16	31	1-633102	2	Bearing-Flanged
12	323-9	1	Screw-HH 3/8-16 X 1 3/4	33	117-2718	1	Decal-Arrester, Spark
13	3234-42	7	Screw HHF 3/8-16 X 1	34	126-4345	1	Decal-Patent Ttco.Com
14	104-8301	8	Nut-Nyloc 3/8-16 Flg	35	1-413347	2	Sleeve-Bushing

Engine Assembly



Engine Assembly (continued)

<i>Ref.</i>	<i>Part Number</i>	<i>Qty.</i>	<i>Description</i>	<i>Ref.</i>	<i>Part Number</i>	<i>Qty.</i>	<i>Description</i>
1		1	Engine, Kaw Fx691 ●■	17	323-6	4	Screw-HH 3/8-16 X 1
2	126-2605	1	Sheave W/ Hub	18	104-8301	4	Nut-Nyloc 3/8-16 Flg
3	126-2601	1	Clutch, 200 Ft/Lbs, 1.13	19	116-5052	1	Asm-Oil Drain Hose W/Plug ▲
4	126-2602	1	Strap, Clutch	19:1	353-508	1	Plug-W/O-Ring
5	3256-23	1	Washer-5/16 Sae	19:1:1	237-42	1	O-Ring
6	126-0620	1	ASM, Clutch Anchor	20	98-5975	4	Washer-Spring Disc 3/8
7	1-807259	1	Key-Machine 1/4 X 1/4 X 1 □	21	323-7	4	Screw-HH 3/8-16 X 1 1/4
8	237-136	1	Grommet	23	1-653313	2	Gasket-Exhaust
9	3296-4	1	Nut-Lock 5/16-24	24	114-3550	4	Washer-Lock, Spring
10	109-6919	1	Washer-Clutch	25	114-3549	4	Nut-M8
11	1-603610	2	Washer-Spring Disc 7/16	26	3296-47	2	Nut-Nyloc 5/16-18 Thin
12	87-2080	1	Bolt-Hex, TAP ◆	27	3230-18	2	Bolt-Carriage 5/16-18 X 5/8
13	116-3736	1	Muffler,Horizontal				
16	116-6278-03	1	Guard-Muffler				

● Not serviced separately

■ Obtain parts from www.kawpowerepc.com

▲ Use a Teflon Pipe Sealant or equivalent on threads.

◆ Use Pro-Lock, Nut Type (P/N 1-840022, .5ml tube) on threads.

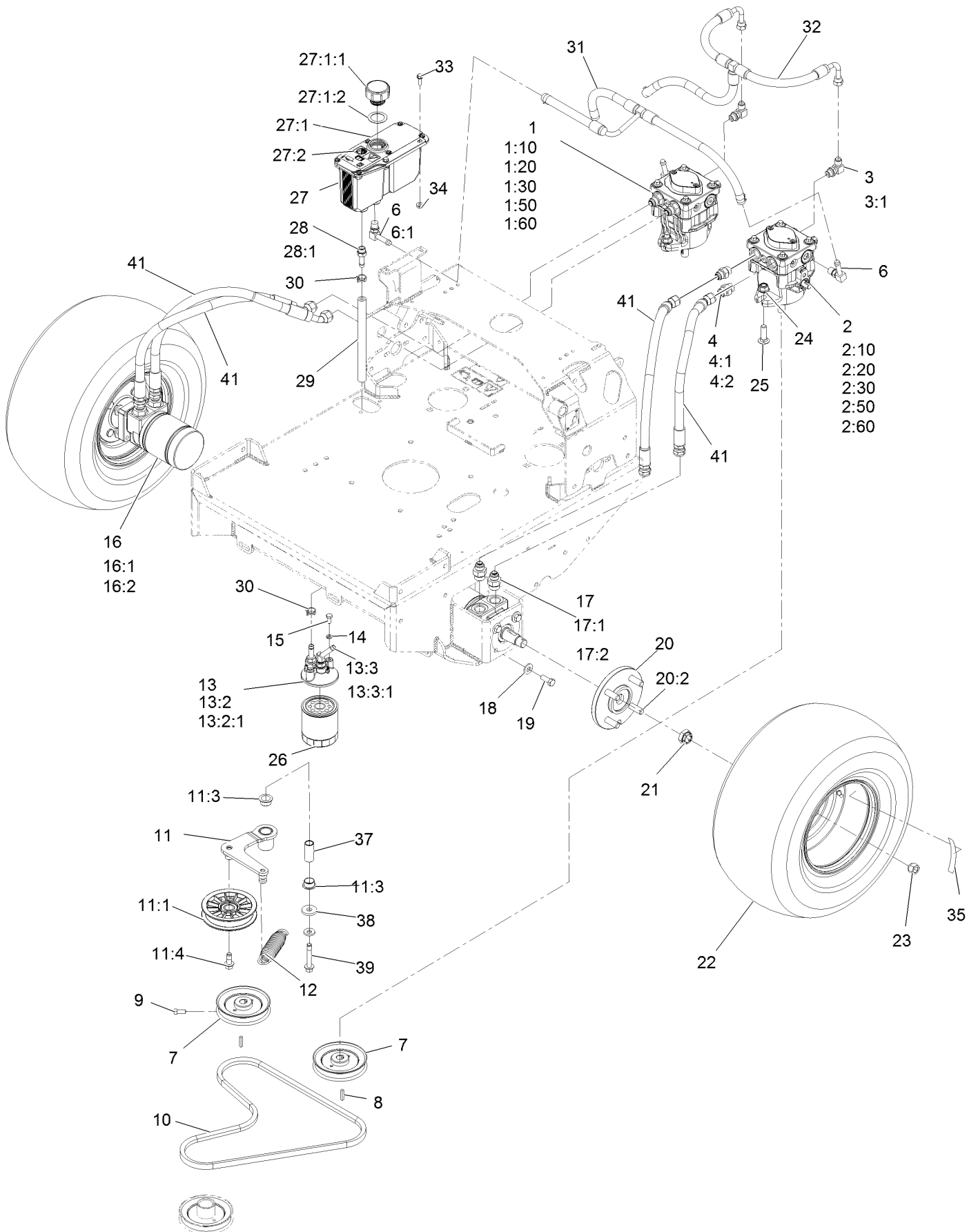
□ Apply anti-seize compound to engine crankshaft, pulley hub I.D., clutch bore I.D. and square key.

Fuel Assembly (continued)

<i>Ref.</i>	<i>Part Number</i>	<i>Qty.</i>	<i>Description</i>	<i>Ref.</i>	<i>Part Number</i>	<i>Qty.</i>	<i>Description</i>
1	126-1525	1	ASM, Fuel Tank	24	3229-10	2	Bolt-Carriage 1/4-20 X 1/2
1:2	120-5461	1	Cap-Fuel, Ratcheting	25	321-2	2	Screw-HH 1/4-20 X 1/2
1:3	114-0284	1	Grommet	26	104-7201	4	Nut-Nyloc 1/4-20 Flg
1:4	119-3547	1	Valve-Vent, Fuel	27	117-1221	1	Canister-Carbon, 800Cc
1:5	103-2605	1	Fitting-Fuel Bulkhead W/Strainer ●	28	115-0962	1	Hose-Vent, Canister
2	107-4543	2	Clamp	29	114-0286	1	Hose-Vent
3	104-8300	2	Nut-Nyloc 5/16-18 Flg	30	116-2233	1	Hose-Vent, Formed
4	322-10	2	Screw-HH 5/16-18 X 2	31	116-2232	1	Valve-Control, Vacuum
19	109-0650	1	Hose-Fuel	32	116-2394	1	Hose-Vent, Formed
20	2412-98	4	Clamp-Hose	33	116-3116	1	Hose-Vent, Formed
21	1-603770	1	Valve-Fuel	34	1-303335	2	Tie-Cable 7 15/16 (Large)
22	115-4486-01	1	Bracket-Canister, Carbon	35	99-9415	1	Hose-Fuel
23	114-0292	1	Bracket-Canister, Carbon	37	116-4464	1	Plug-Port

● Use Pro-Lock, Nut Type (P/N 1-840022, .5ml tube) on threads.

Hydro Assembly



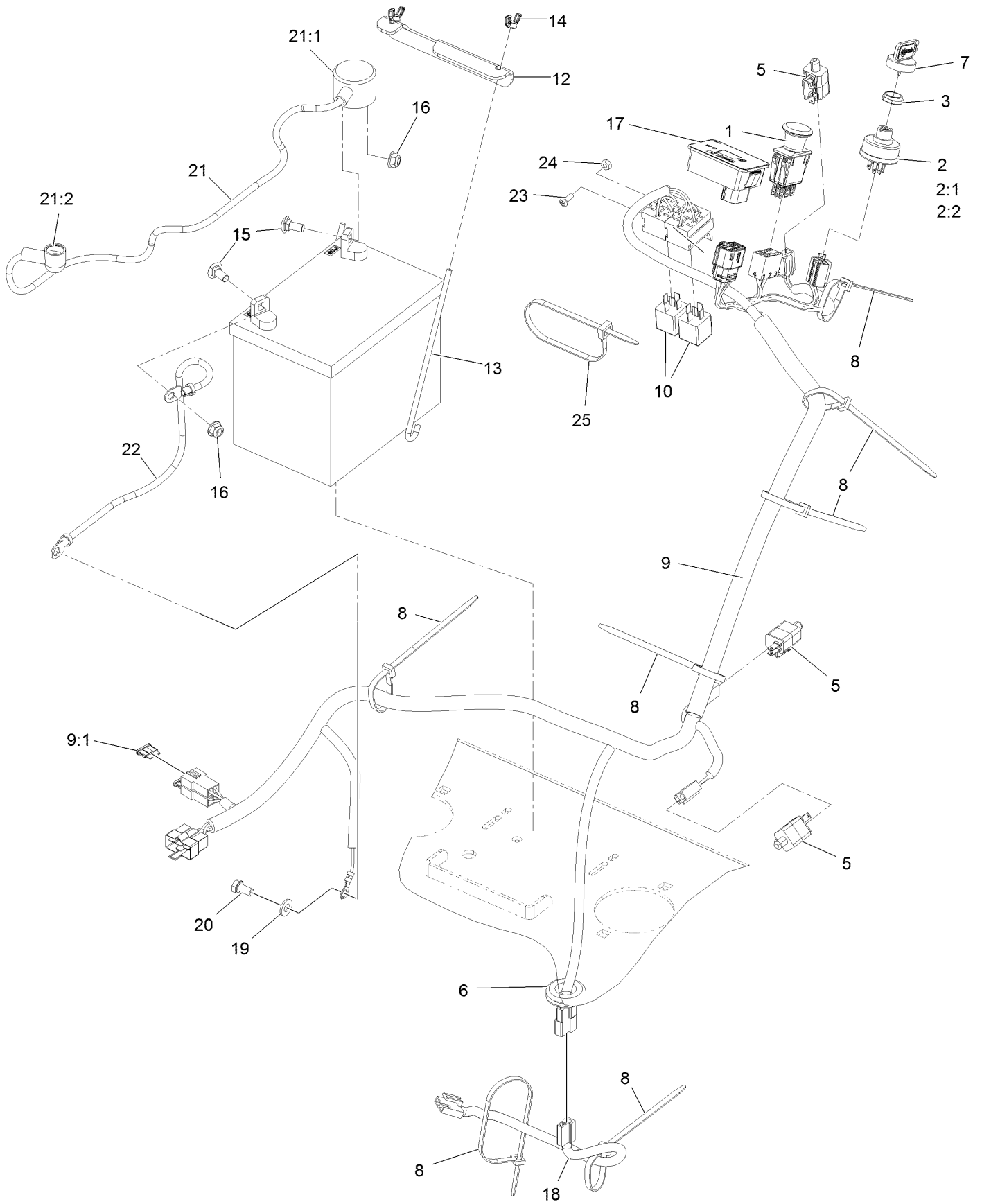
Hydro Assembly (continued)

<i>Ref.</i>	<i>Part Number</i>	<i>Qty.</i>	<i>Description</i>	<i>Ref.</i>	<i>Part Number</i>	<i>Qty.</i>	<i>Description</i>
1	116-2495	1	Pump-HYD Pe RH TTH	16	1-603718	2	HYD Motor ASM
1:10	103-2664	1	Input Shaft Kit	16:1	1-000119	1	Seal Kit
1:20	94-6922	1	Bearing-Thrust	16:2	1-000138	1	Bearing And Seal Kit
1:30	103-2666	1	Cylinder Block Kit	17	1-603991	4	Fitting-Straight
1:50	105-6184	1	Seal Overhaul Kit	17:1	237-80	1	O-Ring
1:60	126-2479	1	Kit, 10Cc Pump Kit	17:2	1-603992	1	O-Ring
2	116-2494	1	Pump-HYD Pe LH TTH	18	98-5975	9	Washer-Belleville
2:10	103-2664	1	Input Shaft Kit	19	323-6	8	Screw-HH
2:20	94-6922	1	Bearing-Thrust	20	112-9049	2	Wheel Hub ASM
2:30	103-2666	1	Cylinder Block Kit	20:2	1-633926	4	Stud-Wheel
2:50	105-6184	1	Seal Overhaul Kit	21	116-2839	2	Nut-Lock
2:60	126-2479	1	Kit, 10Cc Pump Kit	22	103-1715	2	Tire And Wheel Assy
3	103-1802	2	Fitting-HYD, 90 DEG	23	242-50	8	Nut-Lug
3:1	1-603921	1	O-Ring	24	114-8417	4	Nut-HF, NI
4	1-603990	4	Fitting-Straight	25	3232-3	4	Bolt-CARR
4:1	1-603920	1	O-Ring	26	109-4180	1	Element, Oil Filter
4:2	1-603992	1	O-Ring	27	126-1248	1	ASM, HYD Reservoir ■
6	100-4887	3	Fitting-Barbed, 90 DEG	27:1		1	Reservoir-HYD ●
6:1	237-42	1	O-Ring	27:1:1	103-1948	1	Cap-Reservoir, HYD
7	1-413010	2	Sheave ASM	27:1:2	103-1949	1	Gasket-Cap
8	1-807272	2	Key	27:2	115-4212	1	Decal-Warning
9	120-6474	4	Screw-Set, SQH	28	103-1912	1	Adapter-Straight
10	103-4761	1	Belt	28:1	237-42	1	O-Ring
11	126-2531	1	ASM, Pump Idler	29	109-1010	1	Hose, Hydraulic
11:1	109-4077	1	Pulley-Idler, Flat	30	103-1988	6	Clamp-Hose
11:3	109-8054	2	Bushing-Flange	31	126-2550	1	Hose, Case
11:4	126-1680	1	Screw-Hfh	32	126-2555	1	Hose, Charge
12	116-6316	1	Spring-Extension	33	32105-15	2	Screw-HWH
13	126-0621	1	ASM, Filter Head	34	32128-33	2	Nut-HF
13:2	103-1912	1	Adapter-Straight	35	126-2056	2	Decal-Torque Wheel Lug-Hub
13:2:1	237-42	1	O-Ring	37	126-2954	1	Pivot, Idler
13:3	103-1807	1	Fitting-Barbed, 45 DEG	38	1-373034	1	Washer
13:3:1	237-42	1	O-Ring	39	126-2956	1	Screw-HHF W/ Patch
14	1-805004	2	Washer-Lock	41	116-8646	4	Hose,Hydraulic W/Cover
15	321-3	2	Screw-HH				

● Not serviced separately

■ Use Exmark Premium Hydro Oil P/N 109-9828 (32oz)

Electrical Assembly



Electrical Assembly (continued)

<i>Ref.</i>	<i>Part Number</i>	<i>Qty.</i>	<i>Description</i>	<i>Ref.</i>	<i>Part Number</i>	<i>Qty.</i>	<i>Description</i>
1	103-5221	1	Switch-PTO	14	1-543792	2	Wingnut-Nyloc 1/4-20
2	103-0206	1	Switch-Ignition W/Keys	15	3230-1	2	Bolt-Carriage 5/16-18 X 3/4
2:1	3254-5	1	Washer-Tooth, Internal	16	104-8300	2	Nut-Nyloc 5/16-18 Flg
2:2	218-461	1	Nut-HH	17	116-8893	1	Module-Hour Meter
3	103-0498	1	Nut-Ignition	18	126-0624	1	Harness-Clutch Pigtail
5	110-6765	3	Switch	19	33094-00	1	Washer
6	1-543286	1	Grommet	20	33114-016	1	Screw-HH M8-1.25 X 16Mm
7	103-2106	1	Key-Exmark Logo	21	109-7621	1	Positive Battery Cable ASM
8	1-303335	7	Tie-Cable 7 15/16 (Large)	21:1	1-543393	1	Insulator-Solenoid
9	126-3176	1	Harness-Main Ttx Kawasaki ■	21:2	109-2407	1	Insulator-Battery
9:1	1-816001	2	Fuse-Blade Type, 20 Amp	22	1-413540	1	Cable-Battery, Negative ●
10	1-643275	2	Relay-12Vdc 40 Amp	23	1-803071	2	Screw-Machine #10-24 X 1/2
12	126-0008	1	Bracket, Battery Hold Down	24	3296-2	2	Nut-Nyloc #10-24
13	1-633651	2	Bolt-Holddown	25	1-643115	1	Tie-Cable 11.4

● Not illustrated

■ Use dielectric grease on all unsealed connectors and terminals only. Do not apply in sealed connectors.

Notes:

EXMARK® MAINTENANCE

MAXIMIZE THE PERFORMANCE OF YOUR EXMARK.

4-CYCLE PREMIUM ENGINE OIL

Part No. 116-3373

Both SAE 30 and SAE 10W-30 in one bottle.

Contains increased levels of zinc and phosphorus for better lubricity.

No Viscosity Index Improvers that tend to shear down in high heat.

Synthetic formulation.

Gas & Diesel compatible.

Anti-corrosion additives.

API 'SL' and JASO rated with wet clutch compatibility for other machines.

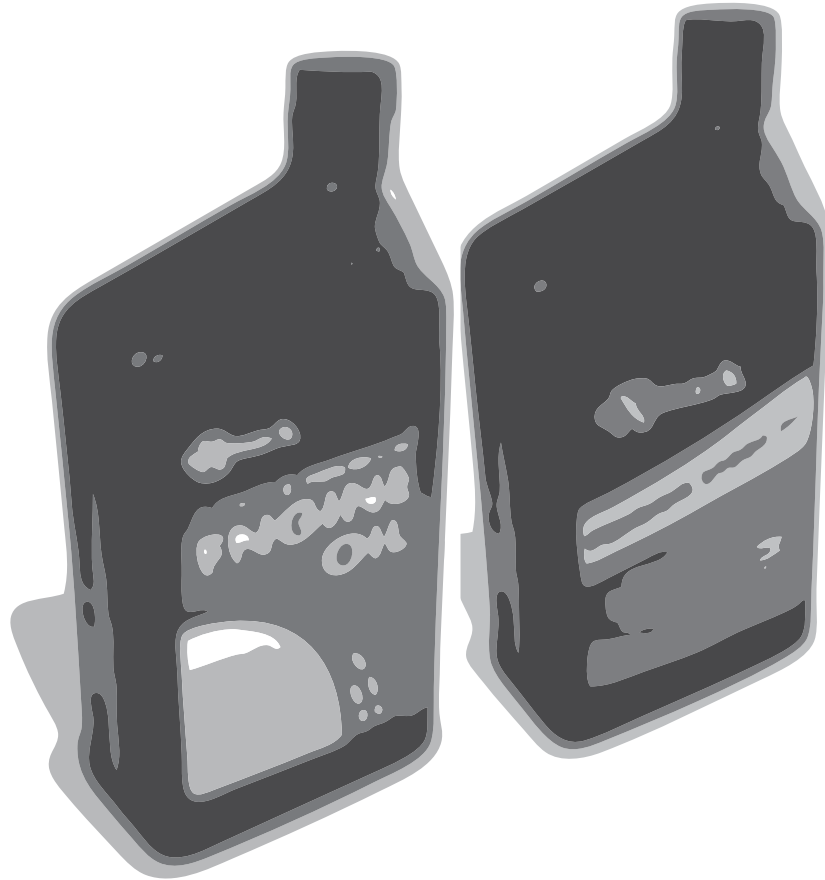
PREMIUM HYDRO OIL

Part No. 109-9828

Commercial quality for tough, high-heat conditions.

Designed specifically for zero-turn mower hydraulic systems.

Superior shear resistance under heavy loads.



Available from your local Exmark dealer. Find your closest dealer at exmark.com

EXMARK ACCESSORIES AND OPTIONS*

MID-MOUNT RIDING ACCESSORIES AND OPTIONS

CUSTOM RIDE SEAT SUSPENSION SYSTEM	OPERATOR CONTROLLED DISCHARGE
FULL SUSPENSION SEAT	SUN SHADE
DECK LIFT ASSIST KIT	TRASH CONTAINER
HITCH KIT	TURF STRIPER
LIGHT KIT	ULTRA VAC COLLECTION SYSTEM
12V POWER PORT	ULTRA VAC QUICK DISPOSAL SYSTEM
MICRO-MULCH SYSTEM	

OUT-FRONT RIDING ACCESSORIES AND OPTIONS

CUSTOM RIDE SEAT SUSPENSION SYSTEM	SNOW BLADE
DUAL-TAIL WHEEL	SNOWBLOWER
FLOOR PAN EXTENDER	SUN SHADE
HITCH KIT	TRASH CONTAINER
LIGHT KIT	ULTRA VAC COLLECTION SYSTEM
MICRO-MULCH SYSTEM	ULTRA VAC QUICK DISPOSAL SYSTEM
ROLL OVER PROTECTION SYSTEM (ROPS)	WEATHER CAB

WALK-BEHIND ACCESSORIES AND OPTIONS

GRASS CATCHER	TURF STRIPER
MICRO-MULCH SYSTEM	STANDON

*Some accessories and options not available for some models.

Place Model No. and Serial No.
Label Here (Included in the Literature
Pack) or Fill in Below

Model No. _____

Serial No. _____

Date Purchased _____

Engine Model No. and Spec. No. _____

Engine Serial No. (E/No) _____

© 2015 Exmark Mfg. Co., Inc.
Industrial Park Box 808
Beatrice, NE 68310
All Rights Reserved

Part No. 4502-592 Rev. A
(402) 223-6300
Fax (402) 223-5489
Printed in the USA.

