

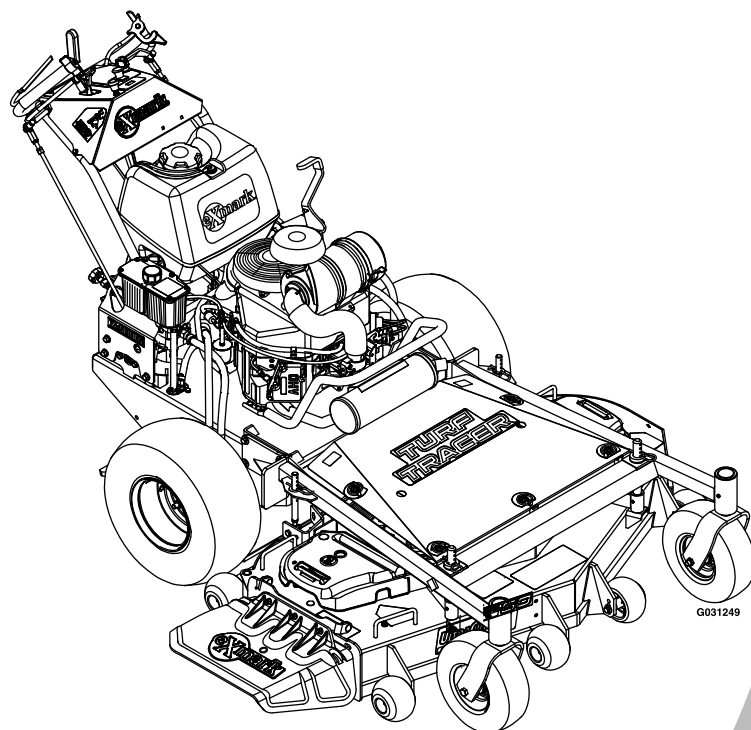


TURF TRACER[®]

X-SERIES

Model No. TTX650EKC60400—Serial No. 31600000 and Up

Picture below may not reflect actual product.



Parts Manual

Part No. 4502-590 Rev. A

Ordering Replacement Parts

To order replacement parts, please supply the part number, the quantity, and the description of each part desired.

Understanding Reference Numbers

Each identified part in an illustration has a reference number. The reference number for a part also appears in the parts list, along with other information about the part.

This catalog uses two special reference number formats, one to indicate parts in a service assembly and another to indicate the quantity of a given part in an illustration.

Service Assembly Reference Numbers

Parts in service assemblies have reference numbers in the form a:b. The a represents the reference number of the entire service assembly and the b represents a sequential number unique to each part within the service assembly.

For example, a wheel assembly might be identified by reference number 6, the tire by 6:1, the valve by 6:2, and the wheel by 6:3. When you order the assembly identified by reference number 6, you receive all parts identified by reference numbers 6:1, 6:2, and 6:3. However, you may also order any part individually. Reference numbers of this type appear in illustration and in parts lists.

Reference Numbers Indicating Quantity

In an illustration, if a reference number indicates more than one part, the reference number has the form nX y. The n represents the quantity of the part, the X is the multiplication symbol, and the y represents the reference number.

For example, in an illustration, the reference number 2X 37 means that two of the parts identified by reference number 37 are indicated.

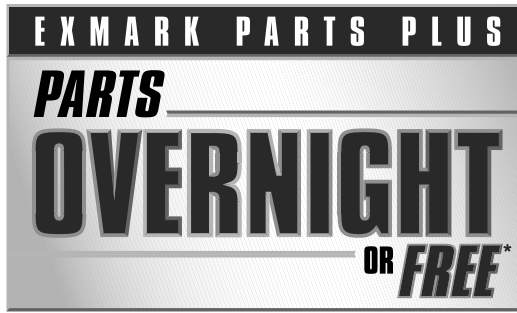
List of Abbreviations

AR: as required	HLH: hex lag head	PTH: phillips truss head
ASM: assembly	HOC: height-of-cut	PTO: power-take-off
BBC: blade brake control	HP: high pressure	RH: right hand
BHTF: button head thread forming	HSBH: hex socket button head	ROPS: roll-over protection system
CARR: carriage	HSFH: hex socket flat head	RRB: rear roller brush
CCW: counter clockwise	HSH: hex socket head	SFH: slotted fillister head
CW: clockwise	HWH: hex washer head	SHH: slotted hex head
DEG: degrees	HWHTF: hex washer head thread forming	SHWH: slotted hex washer head
DPA: Dual Point Adjustment	HYD: hydraulic	SPH: slotted pan head
ECM: electronic control module	LH: left hand	SQH: square head
EXT: external	LP: low pressure	SRH: slotted round head
FH: flat head	LPG: Liquefied Petroleum Gas	STD: standard
GA: gauge	NI: nylon insert	TAP: self tapping
HD: heavy-duty	NPTF: national pipe thread fine	TTH: torx truss head
HF: hex flange	PFH: phillips flat head	
HH: hex head	PPH: phillips pan head	
HHF: hex head flange	PPHTF: phillips pan head thread forming	
HHFTF: hex head flange thread forming	PRH: phillips round head	
HJ: hex jam		

Touch Up Paint

Exmark black touch up spray paint – gloss black.

Exmark red touch up paint (spray paint – P/N 1-850337 - .6 oz liquid bottle – P/N 103-9140).

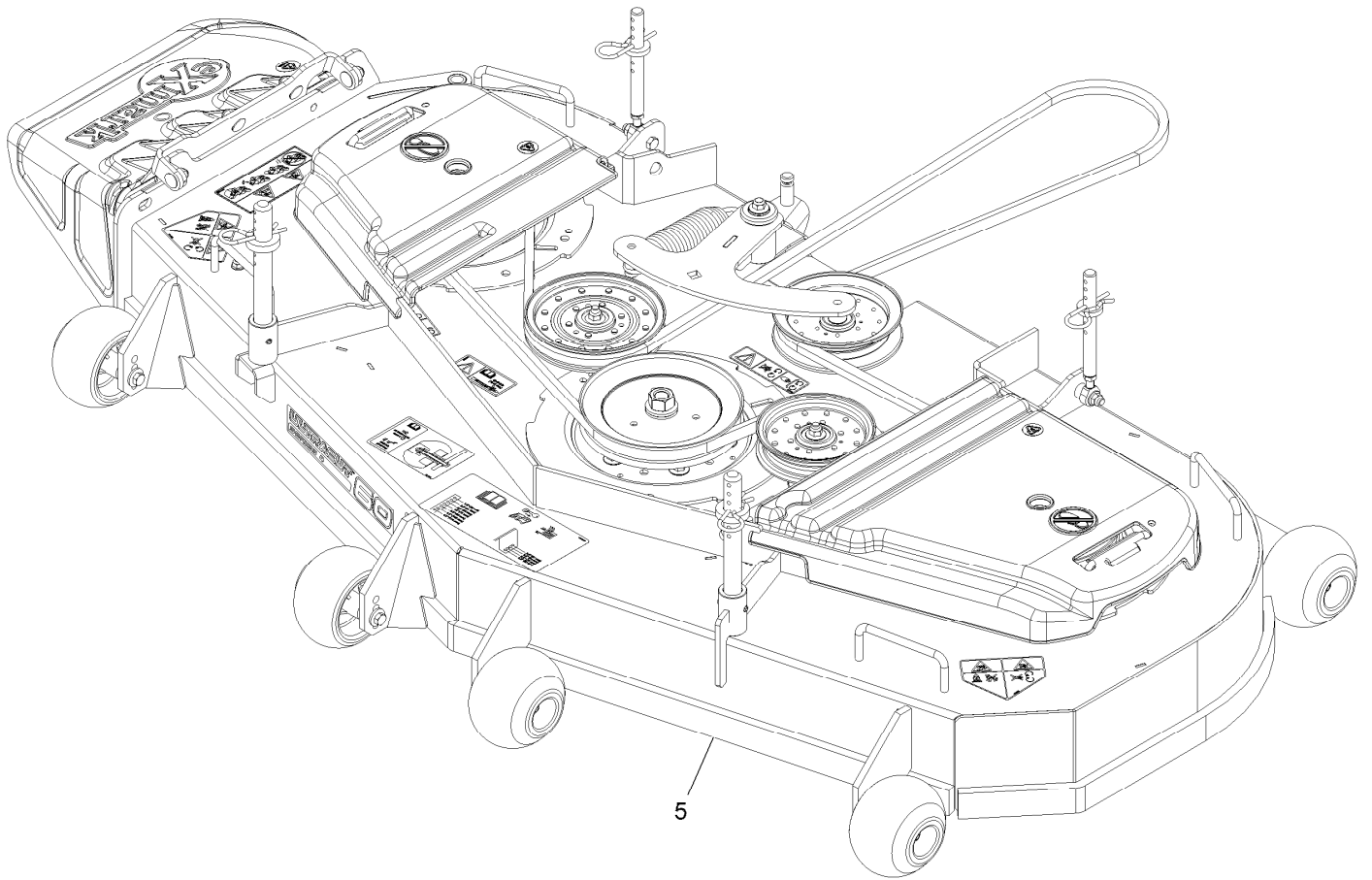


If your Exmark dealer does not have the Exmark part in stock, Exmark will get the parts to the dealer the next business day or the part will be FREE Guaranteed!! (Some restrictions apply. See your participating Exmark Dealer for details.)

Contents

Complete Deck Assembly.....	4
Deck Assembly.....	6
Deck W/Decals Assembly No. 126-2570.....	8
Deck Idler Assembly No. 126-2314.....	10
Frame Assembly.....	12
Front Frame Assembly No. 126-2540.....	14
ECS Upper Handle Controls Assembly.....	16
Controls Assembly.....	18
Engine Deck Assembly.....	20
Engine Assembly.....	22
Fuel Assembly.....	24
Hydro Assembly.....	26
Electrical Assembly.....	28

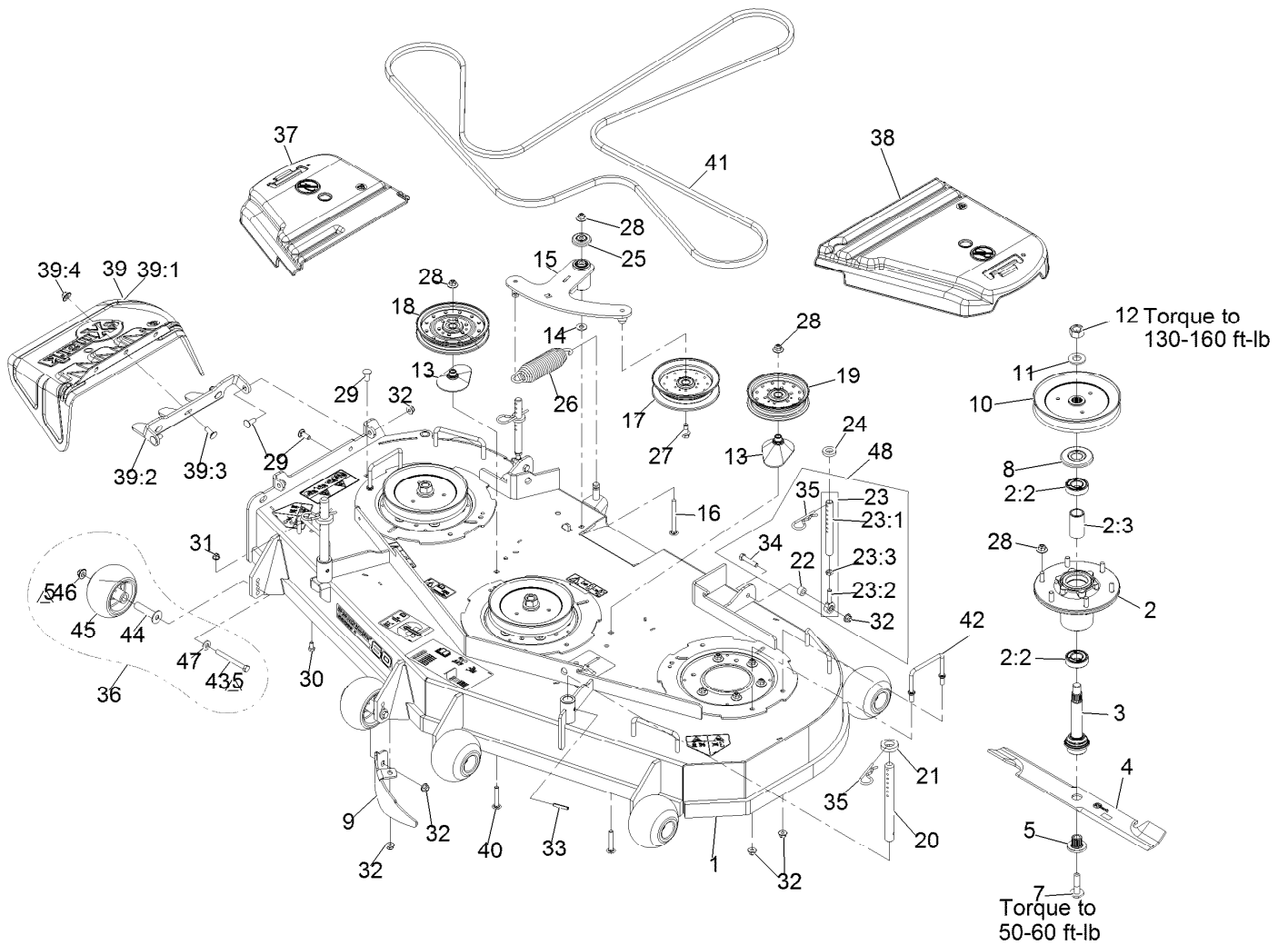
Complete Deck Assembly



Complete Deck Assembly (continued)

<i>Ref.</i>	<i>Part Number</i>	<i>Qty.</i>	<i>Description</i>
5	126-2537	1	ASM, Complete Deck, 60

Deck Assembly



12 Torque to 130-160 ft-lb

7 Torque to 50-60 ft-lb

Apply lubricant to threads as needed to prevent seizing. Copper based antiseize preferable. Grease is an acceptable substitute.

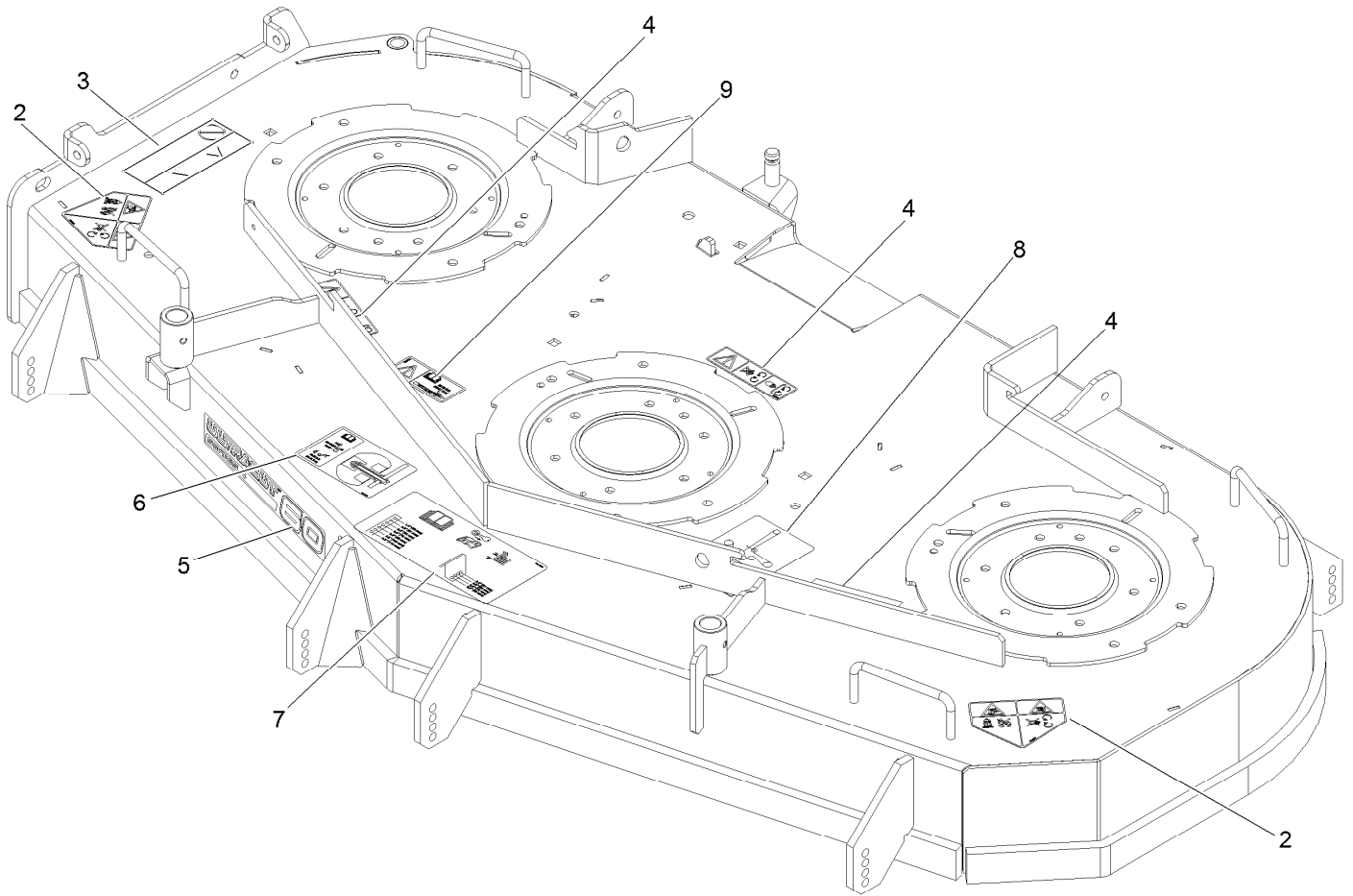
Deck Assembly (continued)

<i>Ref.</i>	<i>Part Number</i>	<i>Qty.</i>	<i>Description</i>	<i>Ref.</i>	<i>Part Number</i>	<i>Qty.</i>	<i>Description</i>
1	126-2570	1	ASM, Deck W/ Decals, 60"	23:3	3220-3	1	Nut-Jam 3/8-24
2	116-3344	3	ASM-Cutter Hsg With Bearings	24	1-323539	2	Spacer-Blade Drive
2:2	116-0720	2	Bearing-Ball	25	103-2916	1	Guard-Top
2:3	116-3312	1	Spacer-Bearing	26	116-6317	1	Spring-Extension
3	116-3341	3	ASM-Spindle And Seal ■	27	126-1680	1	Screw-Hfh
4	116-5174	3	Blade-Extreme 2, 20.50"	28	109-6658	21	Nut-Nyloc 3/8-16 Flg
4	103-6403	3	Blade, Notched	29	3231-22	4	Bolt-Carriage 3/8-16 X 1
4	103-6393	3	Blade, Mulching ●	30	322-2	1	Screw-HH 5/16-18 X 5/8
4	103-6388	3	Blade, Low Lift	31	104-8300	1	Nut-Nyloc 5/16-18 Flg
4	103-6383	3	Blade, Solid	32	104-8301	10	Nut-Nyloc 3/8-16 Flg
5	103-3037	3	Bushing, Splined	33	1-806332	2	Rollpin 1/4 X 1 1/2
7	109-9220	3	Screw-Sems 1/2-20 X 2.19	34	323-9	2	Screw-HH 3/8-16 X 1 3/4
8	116-1286	3	Guard,Bearing Top .989	35	1-806009	4	Hairpin-Cotter #206
9	116-5614-01	1	Dogleg - Lz60	36	116-9981	6	Kit, Anti-Scalp Roller
10	116-0676	3	Sheave,Blade Drive 7.25	37	116-0094	1	Cover-Belt, RH
11	103-2802	3	Washer-Spring Disc 3/4	38	109-6938	1	Cover-Belt, LH
12	116-7306	3	Nut-Hex	39	109-7188	1	ASM,Discharge Chute
13	109-2872	2	Spacer-Pulley	39:1	109-2738	1	Chute, Discharge
14	3256-4	1	Washer-3/8 Std	39:2	109-8675-01	1	Bracket,Discharge Chute
15	126-2314	1	ASM, Deck Idler	39:3	3231-22	3	Bolt-Carriage 3/8-16 X 1
16	3231-24	1	Bolt-Carriage 3/8-16 X 3 3/4	39:4	109-6658	3	Nut-Nyloc 3/8-16 Flg
17	116-4668	1	Idler-Pulley, Flanged	40	3231-40	2	Bolt-Carriage 3/8-16 X 2 1/4
18	116-4667	1	Idler-Pulley, Flat	41	126-2539	1	Belt, Deck Drive
19	116-4665	1	Idler-Pulley, Flat	42	109-6982	2	Wireform-Cover
20	1-603001	2	Rod, Deck Support	43	116-9362	6	Screw-HH 3/8-16 X 3 3/4 Gr 8
21	1-413425	2	Spacer-Deck Support	44	116-8131	6	Axle, Roller
22	1-603050	2	Spacer	45	103-8415	6	Roller-Anti-Scalp
23	1-414521	2	Link Assy	46	109-6658	6	Nut-Nyloc 3/8-16 Flg
23:1	1-413525	1	Link, Rear Deck Support	47	98-5975	6	Washer-Spring Disc 3/8
23:2	1-613204	1	Balljoint	48	1-411532	2	Kit, Support Link W/Pin

● Requires installation of mulch kit for proper mulching. See your Exmark dealer for details.

■ Apply Mobil HTS grease (P/N 103-5217 1.5 oz packet) (or a food-grade anti-seize). See operator s manual for locations.

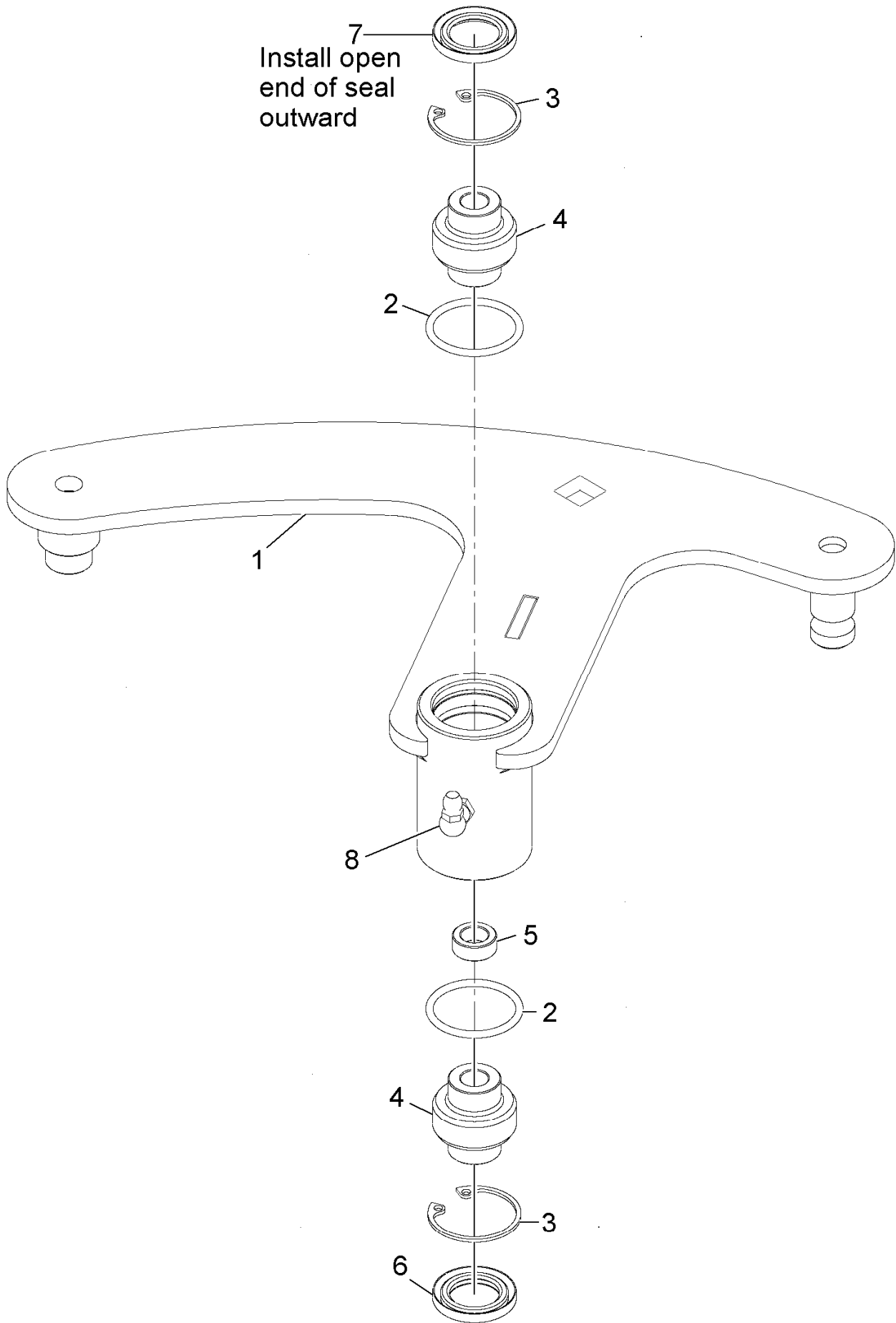
Deck W/Decals Assembly No. 126-2570



Deck W/Decals Assembly No. 126-2570 (continued)

<i>Ref.</i>	<i>Part Number</i>	<i>Qty.</i>	<i>Description</i>	<i>Ref.</i>	<i>Part Number</i>	<i>Qty.</i>	<i>Description</i>
2	112-8760	2	Decal-Danger	6	126-0898	1	Decal-Roller Mounting
3	114-3489	1	Decal-Warning, Bagger	7	116-8278	1	Decal-Anti-Scalp
4	112-9028	3	Decal-Missing, Cover	8	116-8727	1	Decal-Belt Routing
5	126-6589	1	Decal, 604	9	116-8283	1	Decal-Bolt Torque

Deck Idler Assembly No. 126-2314

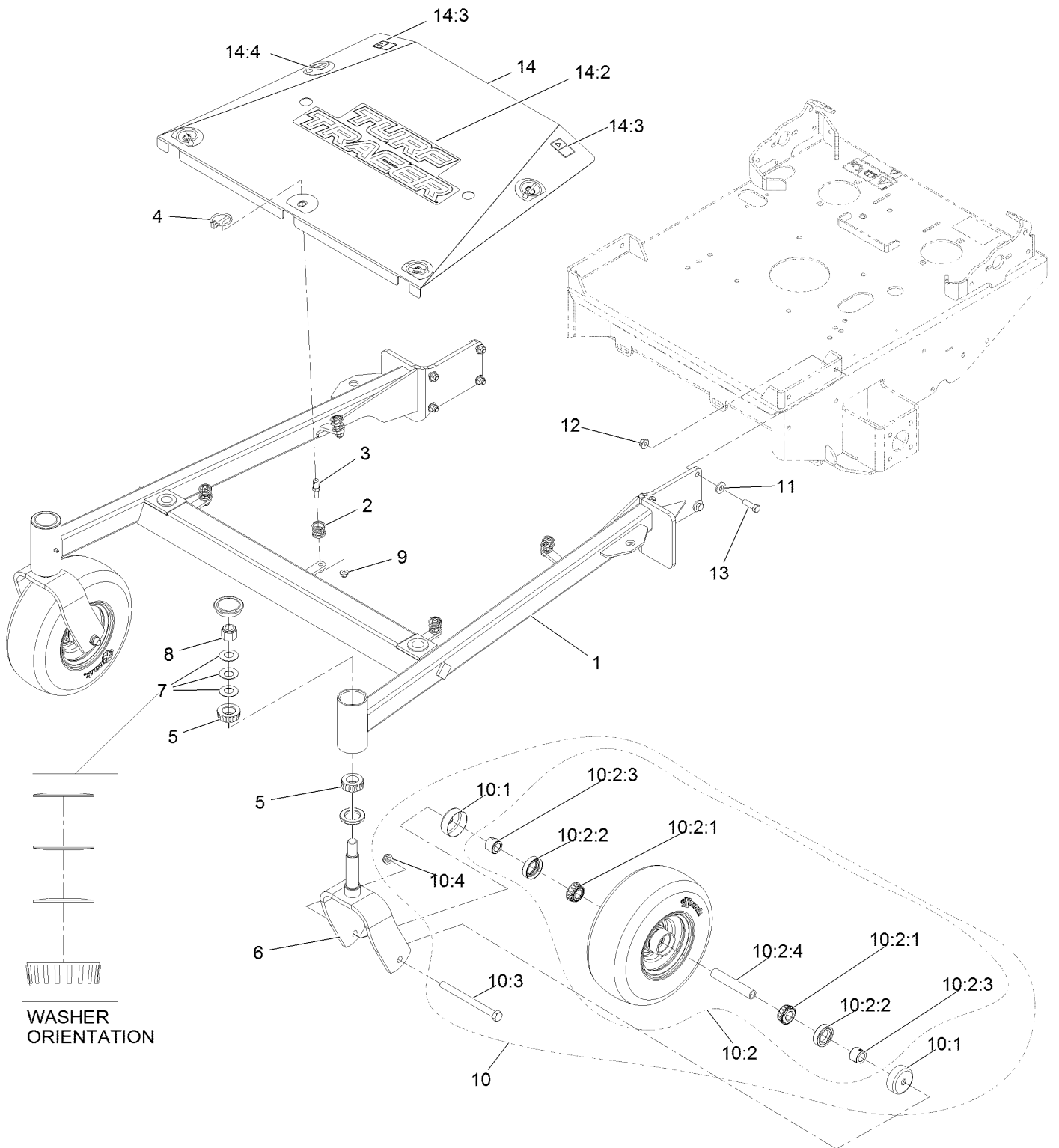


Deck Idler Assembly No. 126-2314 (continued)

<i>Ref.</i>	<i>Part Number</i>	<i>Qty.</i>	<i>Description</i>	<i>Ref.</i>	<i>Part Number</i>	<i>Qty.</i>	<i>Description</i>
1		1	Weld, Idler Arm ●	5	103-5677	1	Spacer
2	106-7159	2	O-Ring	6	103-3505	1	Seal-Double Lip
3	32120-10	2	Ring-Snap	7	103-3506	1	Seal-Lip, Single
4	103-3504	2	Bearing-Spherical	8	302-40	1	Fitting-Grease, 90 DEG

● Not serviced separately

Frame Assembly

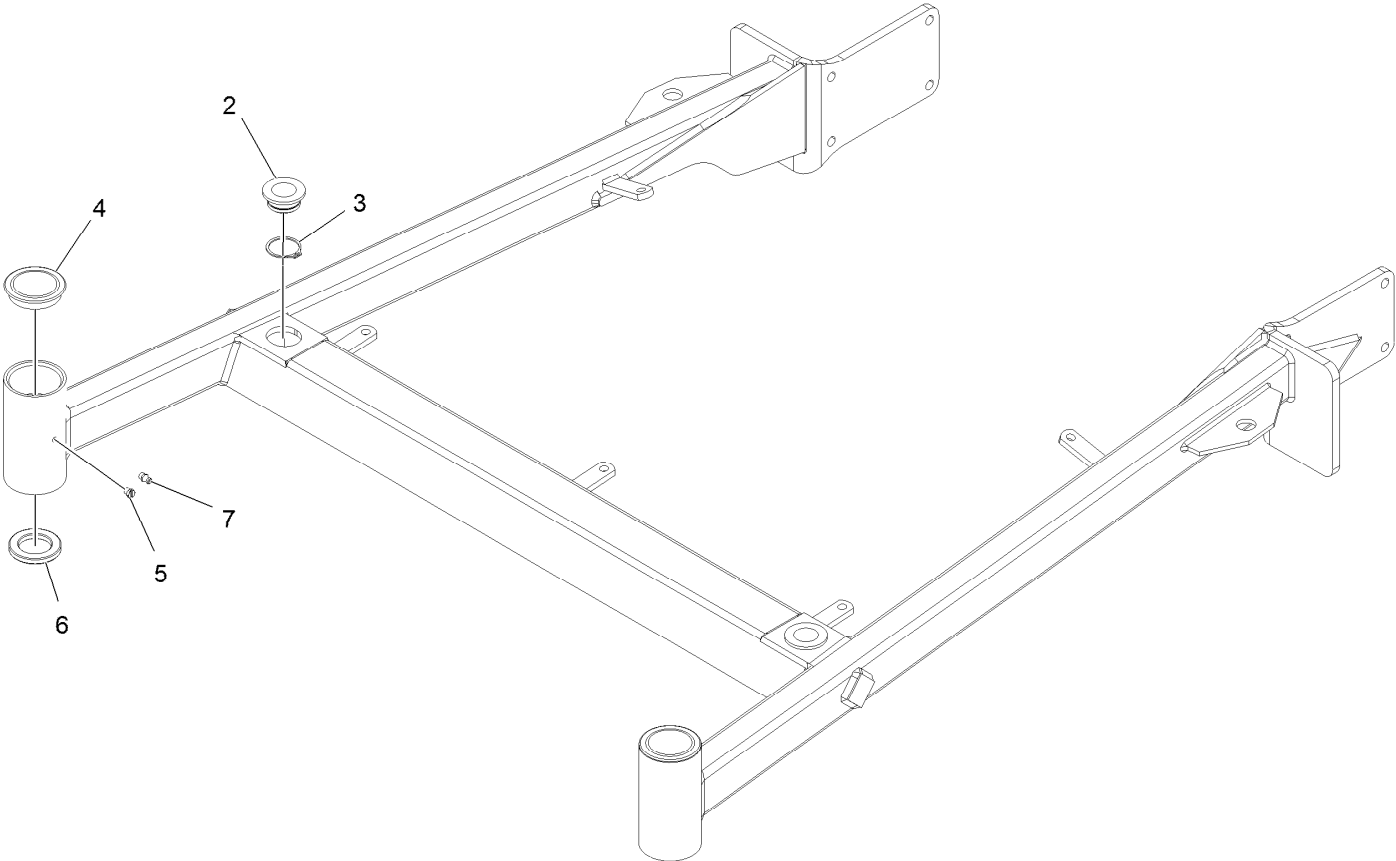


Frame Assembly (continued)

<i>Ref.</i>	<i>Part Number</i>	<i>Qty.</i>	<i>Description</i>	<i>Ref.</i>	<i>Part Number</i>	<i>Qty.</i>	<i>Description</i>
1	126-2541	1	ASM, Front Frame W/ Bearings, 60	10:2:2	103-0063	2	Seal-Double Lip
2	126-1503	5	Spring	10:2:3	103-3051	2	Spacer-Nut
3	126-1504	5	Pin, Spring	10:2:4	103-3157	1	Axle-Caster
4	92-1298	5	Pin-Lynch	10:3	325-20	1	Screw-HH 1/2-13 X 6
5	1-543509	4	Cone-Bearing Tapered Roller	10:4	3296-45	1	Nut-Nyloc 1/2-13 Thin
6	103-1891-01	2	Wld, Caster Fork	11	98-5975	8	Washer-Spring Disc 3/8
7	1-633508	6	Washer-Spring Disc	12	104-8301	8	Nut-Nyloc 3/8-16 Flg
8	3296-51	2	Nut-Nyloc 3/4-10	13	323-7	8	Screw-HH 3/8-16 X 1 1/4
9	104-8300	5	Nut-Nyloc 5/16-18 Flg	14	126-2545	1	ASM, Center Shield W/ Decals, 60
10	109-3524	2	Asm, Wheel And Bearings	14:2	126-6892	1	Decal-Turf Tracer
10:1	103-2768	2	Guard-Seal	14:3	106-5517	2	Decal-Warning, Hot Surface
10:2		1	ASM, Wheel And Bearing ●	14:4	126-1692	5	Decal-Scratch Cover
10:2:1	1-633585	2	Bearing-Cone Tapered Roller				

● Not serviced separately

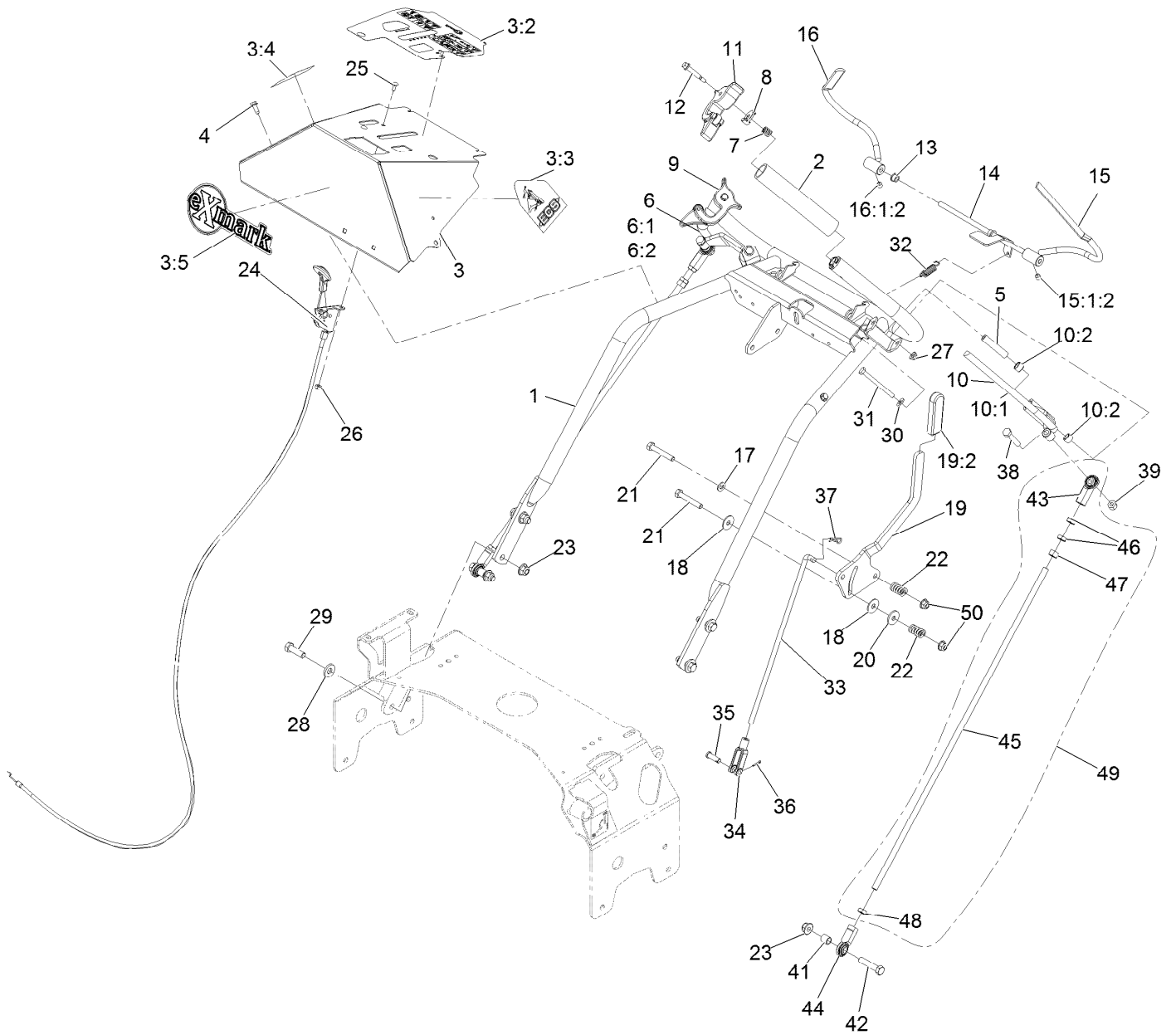
Front Frame Assembly No. 126-2540



Front Frame Assembly No. 126-2540 (continued)

<i>Ref.</i>	<i>Part Number</i>	<i>Qty.</i>	<i>Description</i>	<i>Ref.</i>	<i>Part Number</i>	<i>Qty.</i>	<i>Description</i>
2	1-513336	2	Bushing-Deck	5	1-811010	2	Plug
3	32120-33	2	Ring-Retaining	6	1-543511	2	Seal-Grease
4	103-4882	2	Cap-Grease	7	302-19	1	Zerk-1/4-28 Str

ECS Upper Handle Controls Assembly



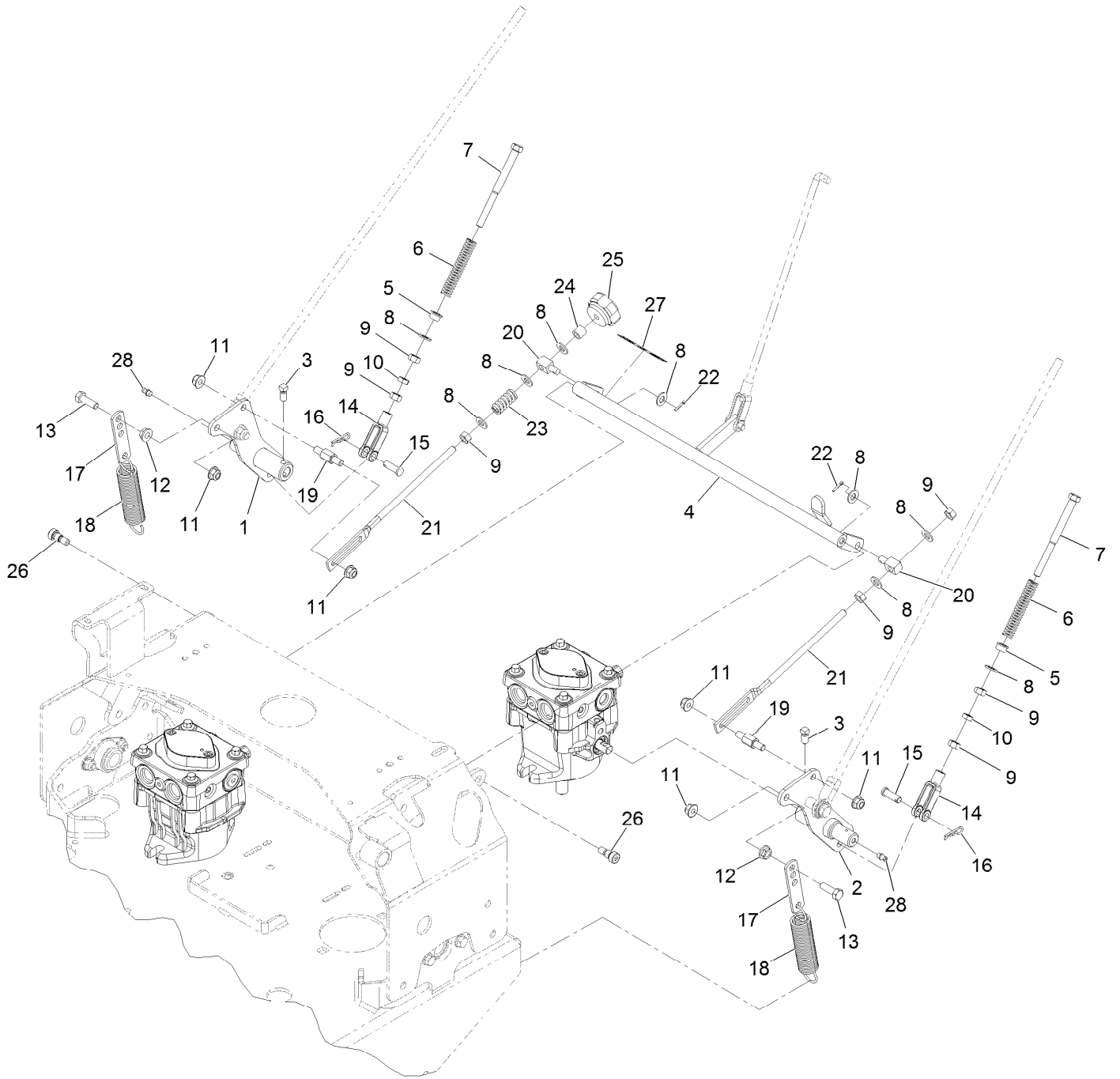
ECS Upper Handle Controls Assembly (continued)

<i>Ref.</i>	<i>Part Number</i>	<i>Qty.</i>	<i>Description</i>	<i>Ref.</i>	<i>Part Number</i>	<i>Qty.</i>	<i>Description</i>
1	126-2642-03	1	Weld, Handle	20	1-603716	1	Washer-Friction Disc
2	103-0815	2	Grip-Bar, Handle	21	322-11	2	Screw-HH 5/16-18 X 2 1/4
3	126-2820	1	ASM, Console W/ Decals	22	1-323245	2	Spring-Compression
3:2	126-3315	1	Decal-Console Ttx Efi	23	104-8301	6	Nut-Nyloc 3/8-16 Flg
3:3	103-2242	1	Decal, Ecs Instruction LH	24	109-3958	1	Control-Throttle
3:4	103-2243	1	Decal, Ecs Instruction RH	25	1-807513	2	Bolt-Carriage #10-24 X 1/2
3:5	126-6877	1	Decal, Exmark Logo	26	3296-2	2	Nut-Nyloc #10-24
4	32144-10	2	Screw-HWH 1/4-20 X .62	27	104-7201	2	Nut-Nyloc 1/4-20 Flg
5	103-0027	2	Bushing-Lever, Drive	28	98-5975	4	Washer-Spring Disc 3/8
6	103-2513	1	Asm, Drive Lever RH	29	323-7	4	Screw-HH 3/8-16 X 1 1/4
6:1	116-4082	1	Wld,RH Drive Lever	30	3256-22	2	Washer-1/4 Sae
6:2	1-413152	2	Bushing-Sleeve	31	321-14	2	Screw-HH 1/4-20 X 2 3/4
7	1-633349	2	Spring-Compression	32	1-303363	1	Spring-Extension
8	126-2921	2	Latch, Ecs	33	1-413225	1	Rod, Speed Control
9	103-1371	1	Thumb Latch Asm RH	34	1-303105	1	Yoke-Adjustable
10	103-2514	1	Asm, Drive Lever LH	35	1-808280	1	Pin-Clevis 5/16 X 1 49/64
10:1	116-4081	1	Wld,LH Drive Lever	36	3272-5	1	Pin-Cotter 3/32 X 1/2
10:2	1-413152	2	Bushing-Sleeve	37	1-806003	1	Hairpin-Cotter
11	103-1372	1	Thumb Latch Asm LH	38	322-9	2	Screw-HH 5/16-18 X 1 3/4
12	126-2931	2	Screw-Shoulder	39	3296-29	2	Nut-Nyloc 5/16-18
13	1-303365	2	Bushing-Nylon	41	103-1166	2	Spacer-Tube, Pump Link
14	103-0769-03	1	Rod Weldment, Opc	42	323-9	2	Screw-HH 3/8-16 X 1 3/4
15	116-4079	1	Wld,LH Opc Lever ■	43	103-2463	4	Balljoint
15:1:2	1-803322	1	Setscrew-5/16-24 X 5/16 ●	44	103-1167	2	Joint-Ball End
16	116-4080	1	Wld,RH Opc Lever ■	45	103-1148	2	Rod,Drive Lever
16:1:2	1-803322	1	Setscrew-5/16-24 X 5/16 ●	46	3220-3	4	Nut-Jam 3/8-24
17	3256-23	1	Washer-5/16 Sae	47	3219-3	2	Nut-Hex 3/8-24
18	1-323244	2	Washer-Friction	48	3220-16	2	Nut-Jam 3/8-24 LH
19	126-0148	1	Lever, Shift W/Grip	49	116-3414	2	Drive Link ASM
19:2	103-5994	1	Grip-Handle, Steering	50	104-8300	2	Nut-Nyloc 5/16-18 Flg

● Use Pro-Lock, Nut Type (P/N 1-840022, .5ml tube) on threads.

■ Use Pro-Lock retaining type, Part no. 1-840023 (.5cc tube) on inside of bore of OPC hub.

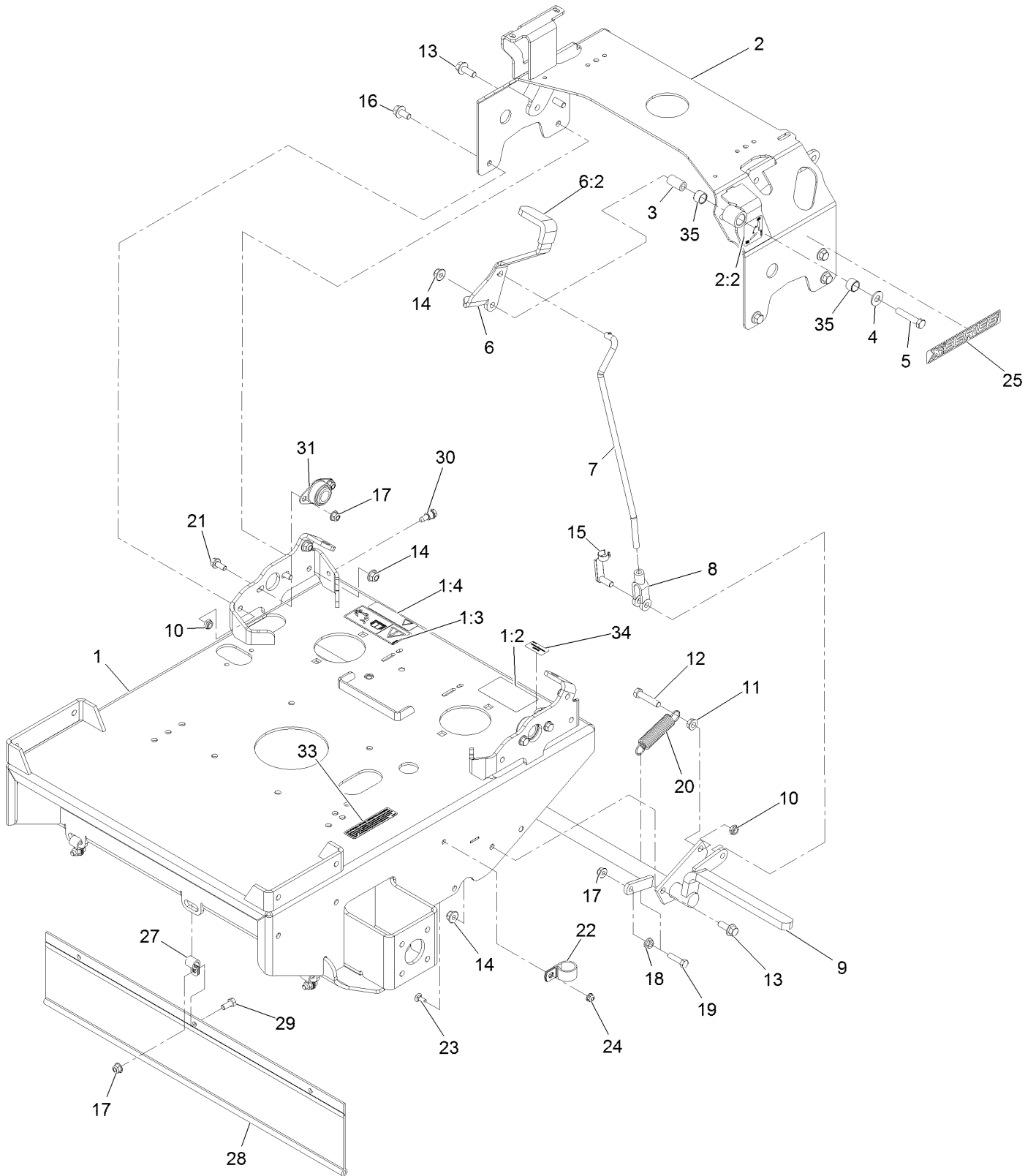
Controls Assembly



Controls Assembly (continued)

<i>Ref.</i>	<i>Part Number</i>	<i>Qty.</i>	<i>Description</i>	<i>Ref.</i>	<i>Part Number</i>	<i>Qty.</i>	<i>Description</i>
1	116-9975	1	Weld, Motion Control, Rt	15	1-808280	2	Pin-Clevis 5/16 X 1 49/64
2	116-9974	1	Weld, Motion Control, Lt	16	1-806003	2	Hairpin-Cotter
3	1-803022	2	Setscrew-5/16-18 X 5/8	17	1-613089	2	Tab-Spring, Extension
4	126-2982-01	1	Weld, Speed Control	18	1-603693	2	Spring
5	1-603735	2	Bushing-Flanged	19	126-0610	2	Pin, Motion Control
6	103-0265	2	Spring, Neutral Return	20	1-603676	2	Swivel-Adjustable, Short
7	1-603737	2	Bolt-Neutral Return	21	1-413350	2	Link-Control, Speed
8	3256-23	9	Washer-5/16 Sae	22	3272-5	2	Pin-Cotter 3/32 X 1/2
9	3219-2	7	Nut-Hex 5/16-24	23	1-323245	1	Spring-Compression
10	3220-2	2	Nut-Jam 5/16-24	24	1-603903	1	Spacer
11	104-8300	6	Nut-Nyloc 5/16-18 Flg	25	103-3060	1	Knob-Tracking
12	32128-20	2	Nut-Whizlock 5/16-18	26	1-809056	2	Screw-Sh 5/16-18 X 1 3/8
13	322-5	2	Screw-HH 5/16-18 X 1	27	116-7918	1	Decal-Tracking Adjustment
14	1-303105	2	Yoke-Adjustable	28	302-19	2	Zerk-1/4-28 Str

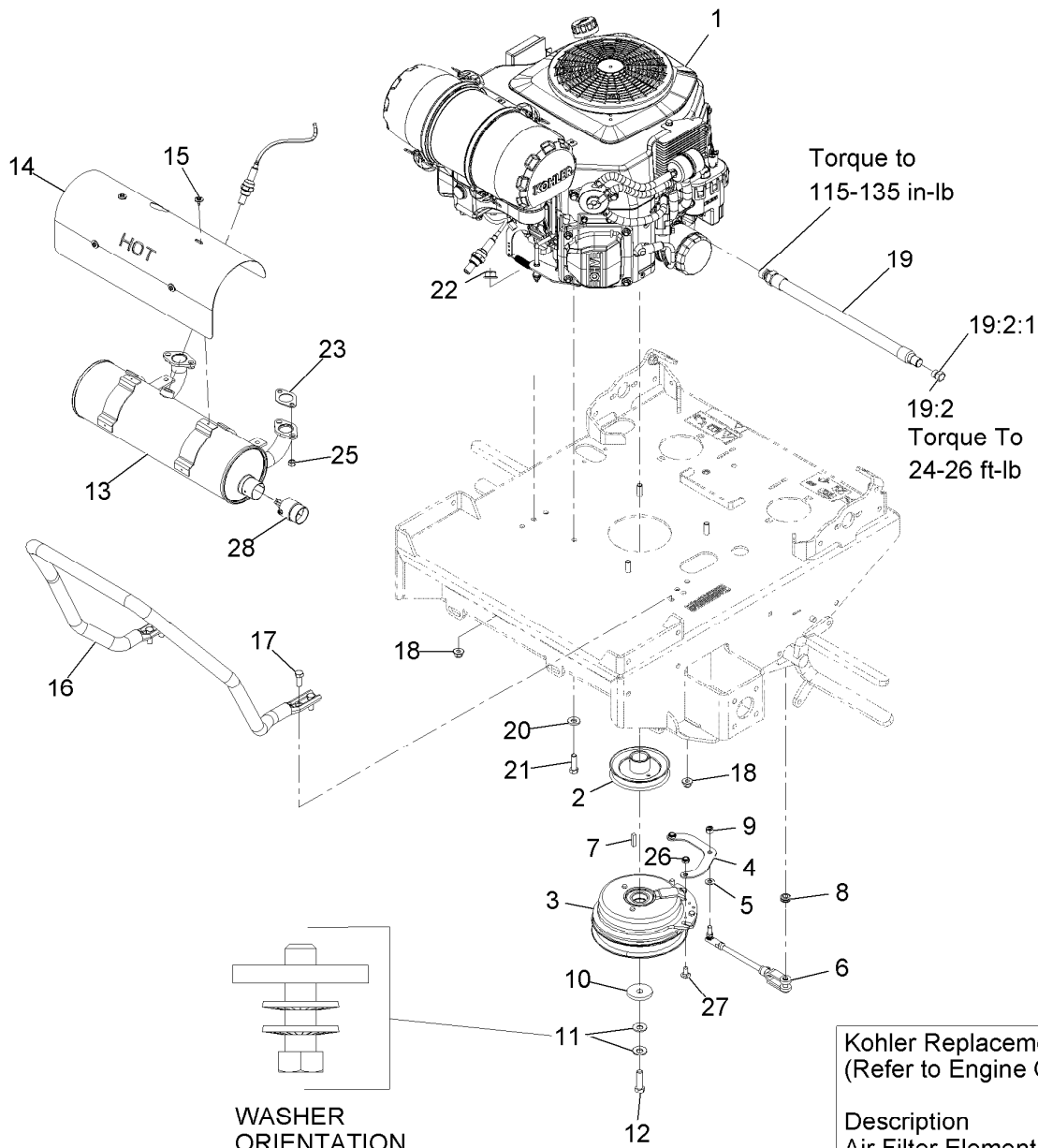
Engine Deck Assembly



Engine Deck Assembly (continued)

<i>Ref.</i>	<i>Part Number</i>	<i>Qty.</i>	<i>Description</i>	<i>Ref.</i>	<i>Part Number</i>	<i>Qty.</i>	<i>Description</i>
1	126-2521	1	ASM, Engine Deck W/ Decals	15	103-2399	1	Pin-Clevis Spring 3/8
1:2	98-1977	1	Decal-Warning	16	3234-12	2	Screw-HH Flg 3/8-16 X 3/4
1:3	126-1400	1	Decal-Warning, Sulky	17	104-8300	8	Nut-Nyloc 5/16-18 Flg
1:4	116-8253	1	Decal-Drive Release	18	32128-20	1	Nut-Whizlock 5/16-18
2	126-2181	1	ASM, Tank Support W/ Decal	19	322-6	1	Screw-HH 5/16-18 X 1 1/4
2:2	116-5988	1	Decal-Park Brake, Ce	20	1-323161	1	Spring
3	1-413344	1	Bushing-Pivot	21	3234-47	4	Screw-HH Flg 5/16-18 X 3/4
4	3256-4	1	Washer-3/8 Std	22	1-643312	1	Clip-Loom
5	323-10	1	Screw-HH 3/8-16 X 2	23	3229-11	1	Bolt-Carriage 1/4-20 X 5/8
6	126-2180	1	ASM, Brake Lever W/ Grip	24	104-7201	1	Nut-Nyloc 1/4-20 Flg
6:2	1-303020	1	Grip-Lever	25	126-6573	2	Decal-X-Series
7	116-9960	1	Linkage-Brake	27	1-413510	3	Clip-Loom
8	1-633131	1	Yoke-Linkage, Brake	28	103-2224	1	Shield, Drag
9	116-9159	1	Wld,Brake Ttx	29	322-3	3	Screw-HH 5/16-18 X 3/4
10	3296-59	3	Nut-Nyloc 3/8-16 Thin	30	115-1958	1	Bolt-Shoulder
11	3290-357	1	Nut-Whizlock 3/8-16	31	1-633102	2	Bearing-Flanged
12	323-9	1	Screw-HH 3/8-16 X 1 3/4	33	117-2718	1	Decal-Arrester, Spark
13	3234-42	7	Screw HHF 3/8-16 X 1	34	126-4345	1	Decal-Patent Ttco.Com
14	104-8301	8	Nut-Nyloc 3/8-16 Flg	35	1-413347	2	Sleeve-Bushing

Engine Assembly



Kohler Replacement Parts List
(Refer to Engine Owner's Manual)

Description	Kohler P/N
Air Filter Element Outer	2508301-S
Air Filter Element Inner	2508304-S

Engine Assembly (continued)

<i>Ref.</i>	<i>Part Number</i>	<i>Qty.</i>	<i>Description</i>	<i>Ref.</i>	<i>Part Number</i>	<i>Qty.</i>	<i>Description</i>
1		1	Engine, Kohler Ecv650-3017 ●■	15	116-1103	4	Screw-HH, Thread Forming
2	126-2605	1	Sheave W/ Hub	16	116-8575-03	1	Guard,Air Cleaner
3	126-2601	1	Clutch, 200 Ft/Lbs, 1.13	17	323-6	4	Screw-HH 3/8-16 X 1
4	126-2602	1	Strap, Clutch	18	104-8301	4	Nut-Nyloc 3/8-16 Flg
5	3256-23	1	Washer-5/16 Sae	19	116-5316	1	Oil Drain Hose ASM ▲
6	126-0620	1	ASM, Clutch Anchor	19:2	353-508	1	Plug-W/O-Ring
7	1-807259	1	Key-Machine 1/4 X 1/4 X 1 □	19:2:1	237-42	1	O-Ring
8	237-136	1	Grommet	20	1-303334	4	Washer-Spring Disc 5/16
9	3296-4	1	Nut-Lock 5/16-24	21	322-7	4	Screw-HH 5/16-18 X 1 1/2
10	109-6919	1	Washer-Clutch	22	104-8300	4	Nut-Nyloc 5/16-18 Flg
11	1-603610	2	Washer-Spring Disc 7/16	23	110-6697	2	Gasket-Exhaust
12	87-2080	1	Bolt-Hex, TAP ◆	25	114-3549	4	Nut-M8
13	116-8653	1	Muffler-Ttx, Efi	26	3296-47	2	Nut-Lock, NI
14	116-8654	1	Shield-Muffler,Ttx Efi	27	3230-18	2	Screw-CARR
				28	116-0433	1	Arrestor,Spark 1.375 Dia

● Not serviced separately

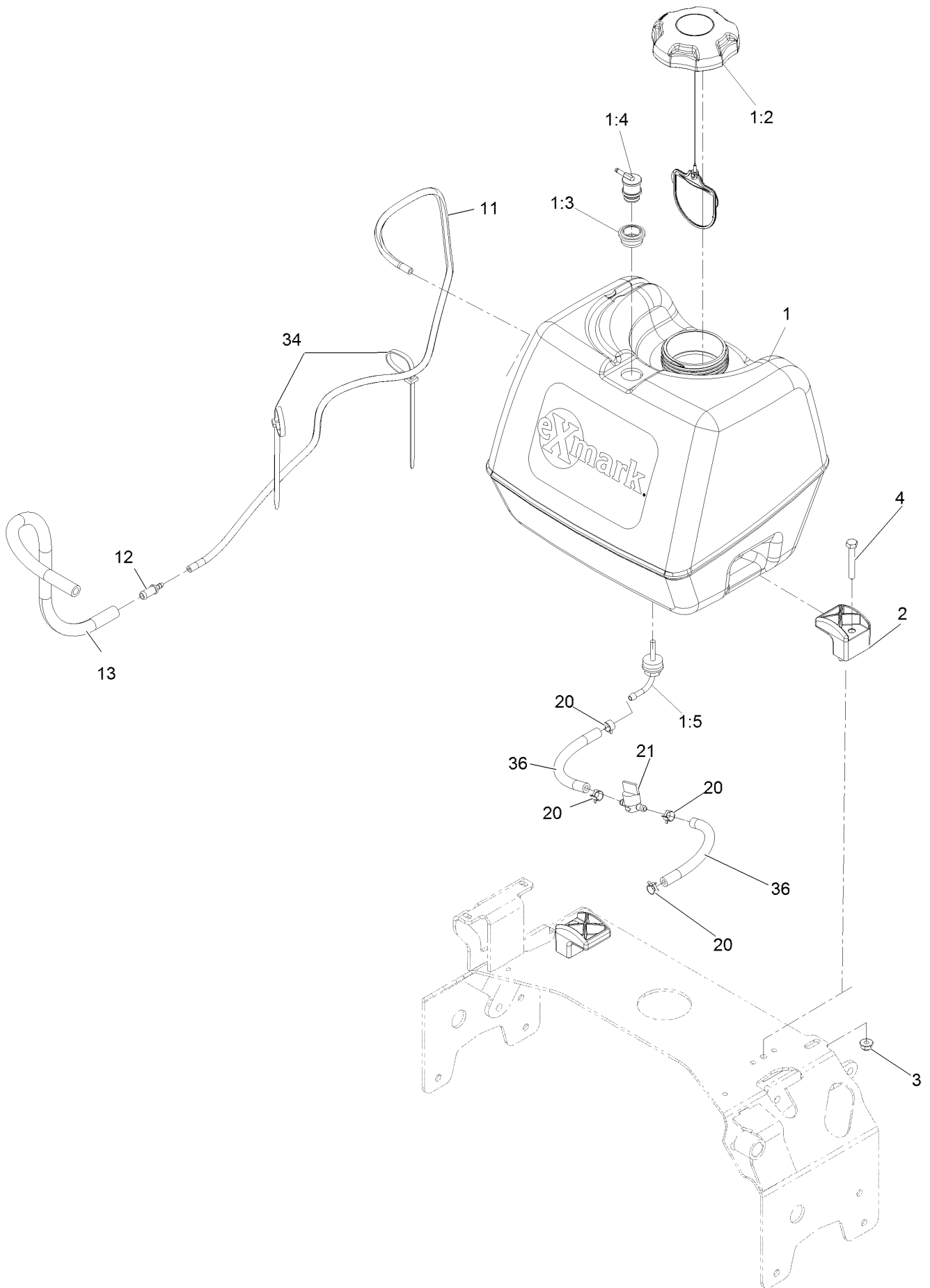
▲ Use a Teflon Pipe Sealant or equivalent on threads.

◆ Use Pro-Lock, Nut Type (P/N 1-840022, .5ml tube) on threads.

□ Apply anti-seize compound to engine crankshaft, pulley hub I.D., clutch bore I.D. and square key.

■ Obtain parts from www.kohlerplus.com

Fuel Assembly

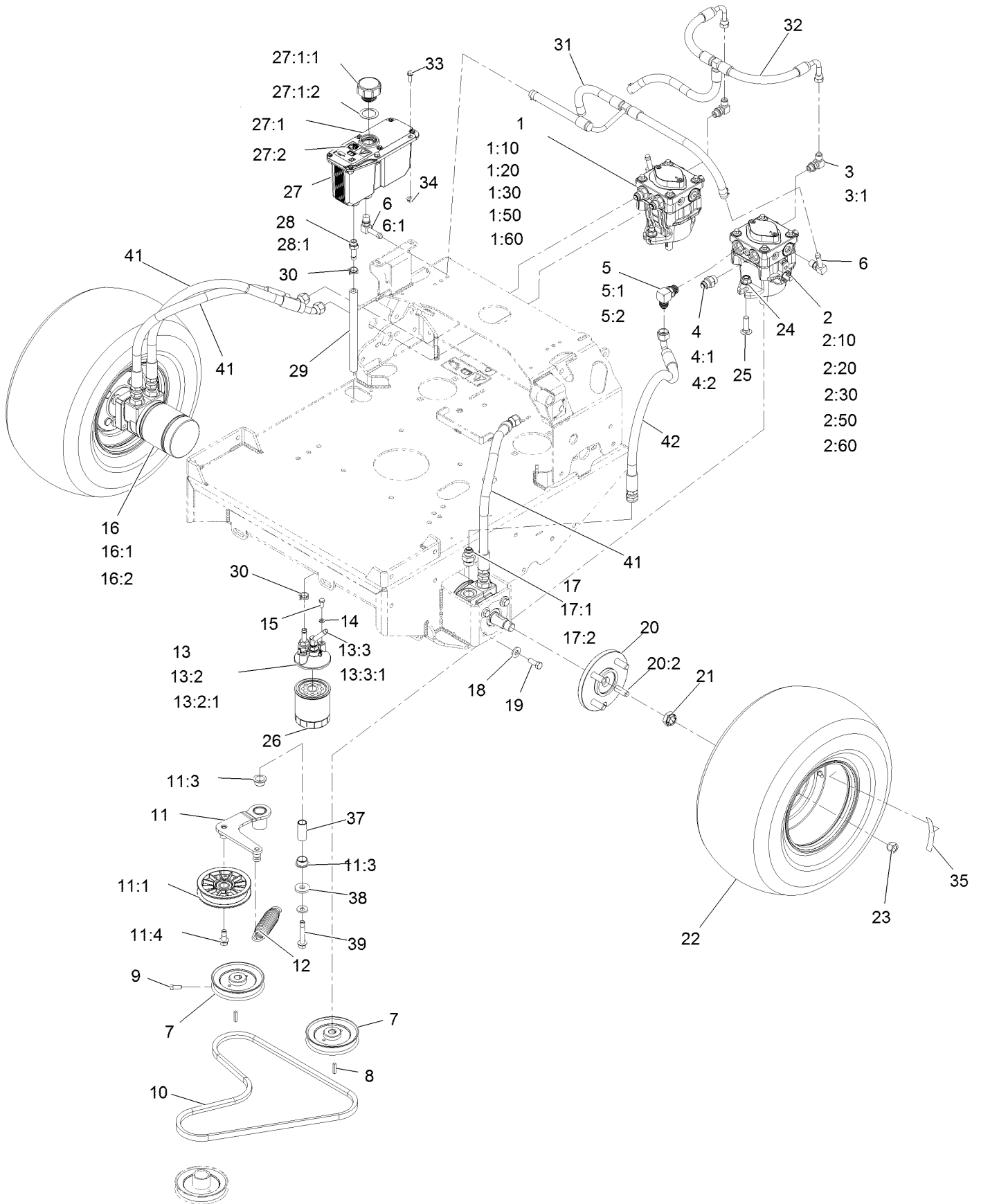


Fuel Assembly (continued)

<i>Ref.</i>	<i>Part Number</i>	<i>Qty.</i>	<i>Description</i>	<i>Ref.</i>	<i>Part Number</i>	<i>Qty.</i>	<i>Description</i>
1	126-1525	1	ASM, Fuel Tank	4	322-10	2	Screw-HH 5/16-18 X 2
1:2	120-5461	1	Cap-Fuel, Ratcheting	11	126-1679	1	Hose, Emissions
1:3	114-0284	1	Grommet	12	98-2952	1	Fitting-Straight
1:4	119-3547	1	Valve-Vent, Fuel	13	119-8562	1	Hose-Fuel
1:5	103-2605	1	Fitting-Fuel Bulkhead W/Strainer ●	20	2412-98	4	Clamp-Hose
2	107-4543	2	Clamp	21	1-603770	1	Valve-Fuel
3	104-8300	2	Nut-Nyloc 5/16-18 Flg	34	1-303335	1	Tie-Plastic
				36	110-1876	2	Hose-Fuel

● Use Pro-Lock, Nut Type (P/N 1-840022, .5ml tube) on threads.

Hydro Assembly



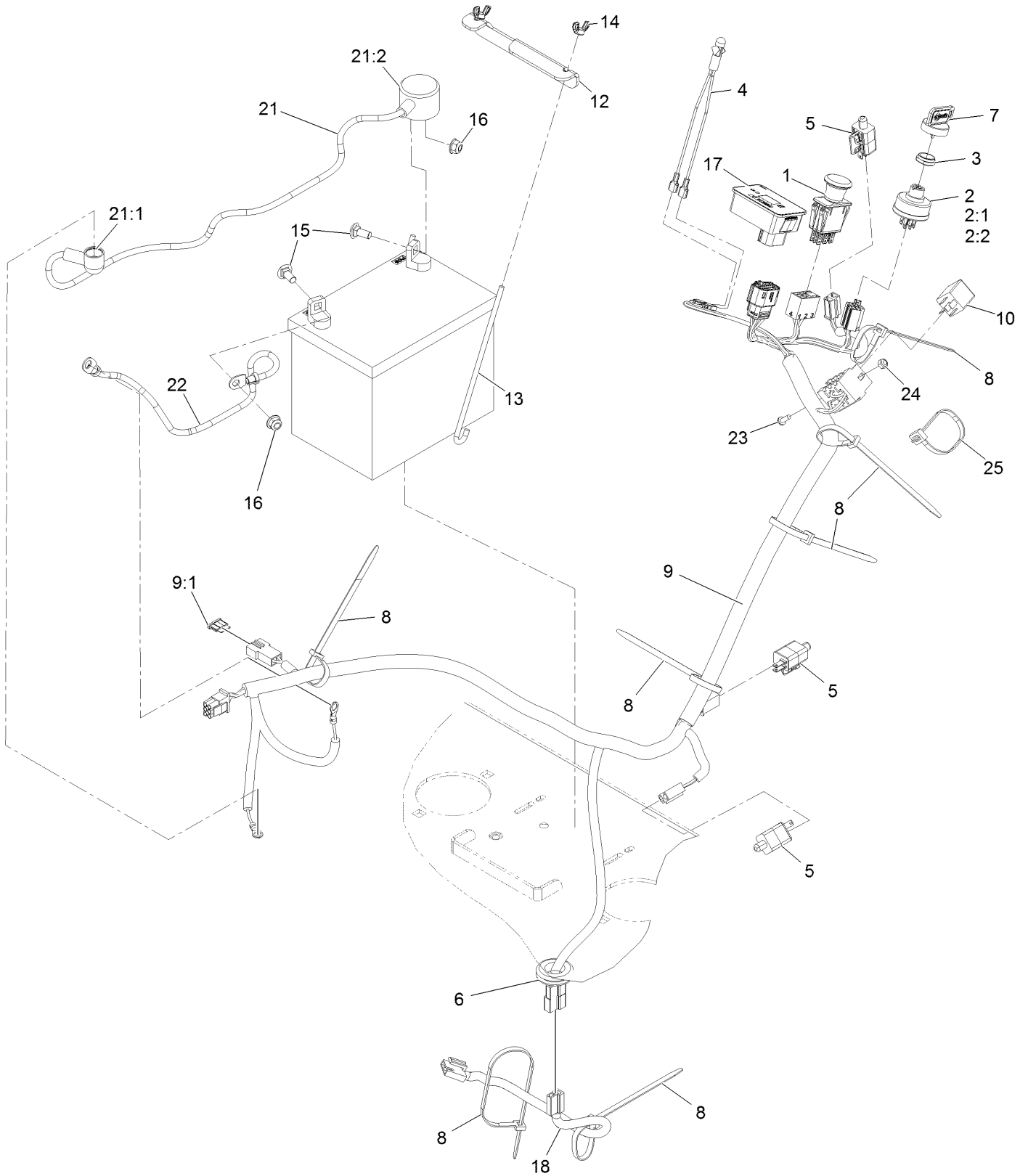
Hydro Assembly (continued)

<i>Ref.</i>	<i>Part Number</i>	<i>Qty.</i>	<i>Description</i>	<i>Ref.</i>	<i>Part Number</i>	<i>Qty.</i>	<i>Description</i>
1	116-2495	1	Pump-HYD Pe RH TTH	15	321-3	2	Screw-HH
1:10	103-2664	1	Input Shaft Kit	16	1-603718	2	HYD Motor ASM
1:20	94-6922	1	Bearing-Thrust	16:1	1-000119	1	Seal Kit
1:30	103-2666	1	Cylinder Block Kit	16:2	1-000138	1	Bearing And Seal Kit
1:50	105-6184	1	Seal Overhaul Kit	17	1-603991	4	Fitting-Straight
1:60	126-2479	1	Kit, 10Cc Pump Kit	17:1	237-80	1	O-Ring
2	116-2494	1	Pump-HYD Pe LH TTH	17:2	1-603992	1	O-Ring
2:10	103-2664	1	Input Shaft Kit	18	98-5975	9	Washer-Belleville
2:20	94-6922	1	Bearing-Thrust	19	323-6	8	Screw-HH
2:30	103-2666	1	Cylinder Block Kit	20	112-9049	2	Wheel Hub ASM
2:50	105-6184	1	Seal Overhaul Kit	20:2	1-633926	4	Stud-Wheel
2:60	126-2479	1	Kit, 10Cc Pump Kit	21	116-2839	2	Nut-Lock
3	103-1802	2	Fitting-HYD, 90 DEG	22	103-1715	2	Tire And Wheel Assy
3:1	1-603921	1	O-Ring	23	242-50	8	Nut-Lug
4	1-603990	3	Fitting-Straight	24	114-8417	4	Nut-HF, NI
4:1	1-603920	1	O-Ring	25	3232-3	4	Bolt-CARR
4:2	1-603992	1	O-Ring	26	109-4180	1	Element, Oil Filter
5	103-2153	1	Fitting-90 DEG	27	126-1248	1	ASM, HYD Reservoir ■
5:1	1-603920	1	O-Ring	27:1		1	Reservoir-HYD ●
5:2	1-603992	1	O-Ring	27:1:1	103-1948	1	Cap-Reservoir, HYD
6	100-4887	3	Fitting-Barbed, 90 DEG	27:1:2	103-1949	1	Gasket-Cap
6:1	237-42	1	O-Ring	27:2	115-4212	1	Decal-Warning
7	1-413010	2	Sheave ASM	28	103-1912	1	Adapter-Straight
8	1-807272	2	Key	28:1	237-42	1	O-Ring
9	120-6474	4	Screw-Set, SQH	29	109-1010	1	Hose, Hydraulic
10	103-4761	1	Belt	30	103-1988	6	Clamp-Hose
11	126-2531	1	ASM, Pump Idler	31	126-2550	1	Hose, Case
11:1	109-4077	1	Pulley-Idler, Flat	32	126-2555	1	Hose, Charge
11:3	109-8054	2	Bushing-Flange	33	32105-15	2	Screw-HWH
11:4	126-1680	1	Screw-Hfh	34	32128-33	2	Nut-HF
12	116-6316	1	Spring-Extension	35	126-2056	2	Decal-Torque Wheel Lug-Hub
13	126-0621	1	ASM, Filter Head				
13:2	103-1912	1	Adapter-Straight	37	126-2954	1	Pivot, Idler
13:2:1	237-42	1	O-Ring	38	1-373034	1	Washer
13:3	103-1807	1	Fitting-Barbed, 45 DEG	39	126-2956	1	Screw-HHF W/ Patch
13:3:1	237-42	1	O-Ring	41	116-8646	3	Hose,Hydraulic W/Cover
14	1-805004	2	Washer-Lock	42	119-7827	1	HYD Hose ASM

● Not serviced separately

■ Use Exmark Premium Hydro Oil P/N 109-9828 (32oz)

Electrical Assembly



Electrical Assembly (continued)

<i>Ref.</i>	<i>Part Number</i>	<i>Qty.</i>	<i>Description</i>	<i>Ref.</i>	<i>Part Number</i>	<i>Qty.</i>	<i>Description</i>
1	103-5221	1	Switch-PTO	13	1-633651	2	Bolt-Holddown
2	103-0206	1	Switch-Ignition W/Keys	14	1-543792	2	Wingnut-Nyloc 1/4-20
2:1	3254-5	1	Washer-Tooth, Internal	15	3230-1	2	Bolt-Carriage 5/16-18 X 3/4
2:2	218-461	1	Nut-HH	16	104-8300	2	Nut-Nyloc 5/16-18 Flg
3	103-0498	1	Nut-Ignition	17	116-8893	1	Module-Hour Meter
4	1-643267	1	Indicator-Red Led	18	126-0624	1	Harness-Clutch Pigtail
5	110-6765	3	Switch	21	109-7621	1	Positive Battery Cable ASM
6	1-543286	1	Grommet	21:1	1-543393	1	Insulator-Solenoid
7	103-2106	1	Key-Exmark Logo	21:2	109-2407	1	Insulator-Battery
8	1-303335	7	Tie-Cable 7 15/16 (Large)	22	1-413540	1	Cable-Battery, Negative ●
9	126-3011	1	Harness-Main Ttx Kohler Efi ■	23	1-803071	1	Screw-Machine #10-24 X 1/2
9:1	1-816001	1	Fuse-Blade Type, 20 Amp	24	3296-2	1	Nut-Nyloc #10-24
10	1-643275	1	Relay-12Vdc 40 Amp	25	1-643115	1	Tie-Cable 11.4
12	126-0008	1	Bracket, Battery Hold Down				

● Not illustrated

■ Use dielectric grease on all unsealed connectors and terminals only. Do not apply in sealed connectors.

Notes:

EXMARK® MAINTENANCE

MAXIMIZE THE PERFORMANCE OF YOUR EXMARK.

4-CYCLE PREMIUM ENGINE OIL

Part No. 116-3373

Both SAE 30 and SAE 10W-30 in one bottle.

Contains increased levels of zinc and phosphorus for better lubricity.

No Viscosity Index Improvers that tend to shear down in high heat.

Synthetic formulation.

Gas & Diesel compatible.

Anti-corrosion additives.

API 'SL' and JASO rated with wet clutch compatibility for other machines.

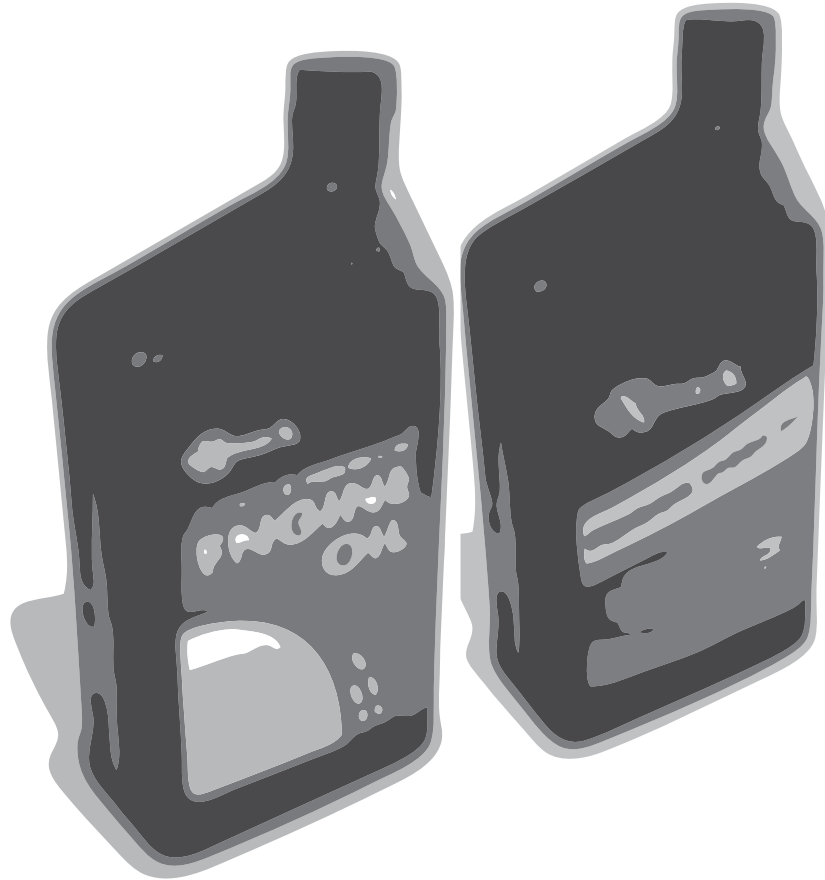
PREMIUM HYDRO OIL

Part No. 109-9828

Commercial quality for tough, high-heat conditions.

Designed specifically for zero-turn mower hydraulic systems.

Superior shear resistance under heavy loads.



Available from your local Exmark dealer. Find your closest dealer at exmark.com

EXMARK ACCESSORIES AND OPTIONS*

MID-MOUNT RIDING ACCESSORIES AND OPTIONS

CUSTOM RIDE SEAT SUSPENSION SYSTEM	OPERATOR CONTROLLED DISCHARGE
FULL SUSPENSION SEAT	SUN SHADE
DECK LIFT ASSIST KIT	TRASH CONTAINER
HITCH KIT	TURF STRIPER
LIGHT KIT	ULTRA VAC COLLECTION SYSTEM
12V POWER PORT	ULTRA VAC QUICK DISPOSAL SYSTEM
MICRO-MULCH SYSTEM	

OUT-FRONT RIDING ACCESSORIES AND OPTIONS

CUSTOM RIDE SEAT SUSPENSION SYSTEM	SNOW BLADE
DUAL-TAIL WHEEL	SNOWBLOWER
FLOOR PAN EXTENDER	SUN SHADE
HITCH KIT	TRASH CONTAINER
LIGHT KIT	ULTRA VAC COLLECTION SYSTEM
MICRO-MULCH SYSTEM	ULTRA VAC QUICK DISPOSAL SYSTEM
ROLL OVER PROTECTION SYSTEM (ROPS)	WEATHER CAB

WALK-BEHIND ACCESSORIES AND OPTIONS

GRASS CATCHER	TURF STRIPER
MICRO-MULCH SYSTEM	STANDON

*Some accessories and options not available for some models.

Place Model No. and Serial No.
Label Here (Included in the Literature
Pack) or Fill in Below

Model No. _____

Serial No. _____

Date Purchased _____

Engine Model No. and Spec. No. _____

Engine Serial No. (E/No) _____

© 2015 Exmark Mfg. Co., Inc.
Industrial Park Box 808
Beatrice, NE 68310
All Rights Reserved

Part No. 4502-590 Rev. A
(402) 223-6300
Fax (402) 223-5489
Printed in the USA.

