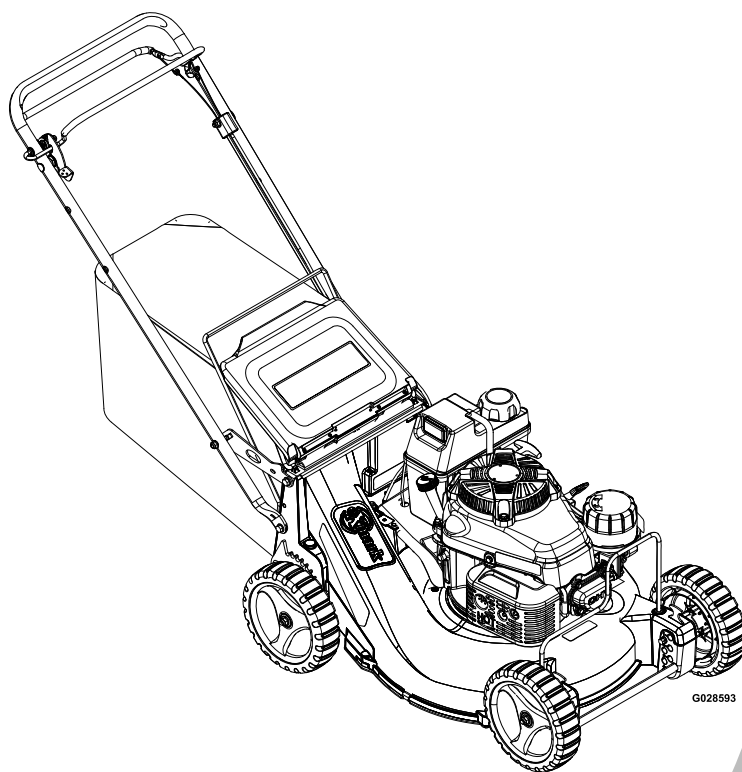




# COMMERCIAL 21

Model No. ECX180CKA210BC—Serial No. 31500000 and Up

Picture below may not reflect actual product.



# Parts Manual

Part No. 4502-335 Rev. A

# Ordering Replacement Parts

To order replacement parts, please supply the part number, the quantity, and the description of each part desired.

## Understanding Reference Numbers

Each identified part in an illustration has a reference number. The reference number for a part also appears in the parts list, along with other information about the part.

This catalog uses two special reference number formats, one to indicate parts in a service assembly and another to indicate the quantity of a given part in an illustration.

## Service Assembly Reference Numbers

Parts in service assemblies have reference numbers in the form a:b. The a represents the reference number of the entire service assembly and the b represents a sequential number unique to each part within the service assembly.

For example, a wheel assembly might be identified by reference number 6, the tire by 6:1, the valve by 6:2, and the wheel by 6:3. When you order the assembly identified by reference number 6, you receive all parts identified by reference numbers 6:1, 6:2, and 6:3. However, you may also order any part individually. Reference numbers of this type appear in illustration and in parts lists.

## Reference Numbers Indicating Quantity

In an illustration, if a reference number indicates more than one part, the reference number has the form nX y. The n represents the quantity of the part, the X is the multiplication symbol, and the y represents the reference number.

For example, in an illustration, the reference number 2X 37 means that two of the parts identified by reference number 37 are indicated.

# List of Abbreviations

<b>AR:</b> as required	<b>HLH:</b> hex lag head	<b>PTH:</b> phillips truss head
<b>ASM:</b> assembly	<b>HOC:</b> height-of-cut	<b>PTO:</b> power-take-off
<b>BBC:</b> blade brake control	<b>HP:</b> high pressure	<b>RH:</b> right hand
<b>BHTF:</b> button head thread forming	<b>HSBH:</b> hex socket button head	<b>ROPS:</b> roll-over protection system
<b>CARR:</b> carriage	<b>HSFH:</b> hex socket flat head	<b>RRB:</b> rear roller brush
<b>CCW:</b> counter clockwise	<b>HSH:</b> hex socket head	<b>SFH:</b> slotted fillister head
<b>CW:</b> clockwise	<b>HWH:</b> hex washer head	<b>SHH:</b> slotted hex head
<b>DEG:</b> degrees	<b>HWHTF:</b> hex washer head thread forming	<b>SHWH:</b> slotted hex washer head
<b>DPA:</b> Dual Point Adjustment	<b>HYD:</b> hydraulic	<b>SPH:</b> slotted pan head
<b>ECM:</b> electronic control module	<b>LH:</b> left hand	<b>SQH:</b> square head
<b>EXT:</b> external	<b>LP:</b> low pressure	<b>SRH:</b> slotted round head
<b>FH:</b> flat head	<b>LPG:</b> Liquefied Petroleum Gas	<b>STD:</b> standard
<b>GA:</b> gauge	<b>NI:</b> nylon insert	<b>TAP:</b> self tapping
<b>HD:</b> heavy-duty	<b>NPTF:</b> national pipe thread fine	<b>TTH:</b> torx truss head
<b>HF:</b> hex flange	<b>PFH:</b> phillips flat head	
<b>HH:</b> hex head	<b>PPH:</b> phillips pan head	
<b>HHF:</b> hex head flange	<b>PPHTF:</b> phillips pan head thread forming	
<b>HHFTF:</b> hex head flange thread forming	<b>PRH:</b> phillips round head	
<b>HJ:</b> hex jam		

# Touch Up Paint

Exmark black touch up spray paint – gloss black.

Exmark red touch up paint (spray paint – P/N 1-850337 - .6 oz liquid bottle – P/N 103-9140).



If your Exmark dealer does not have the Exmark part in stock, Exmark will get the parts to the dealer the next business day or the part will be FREE Guaranteed!! (Some restrictions apply. See your participating Exmark Dealer for details.)

## Contents

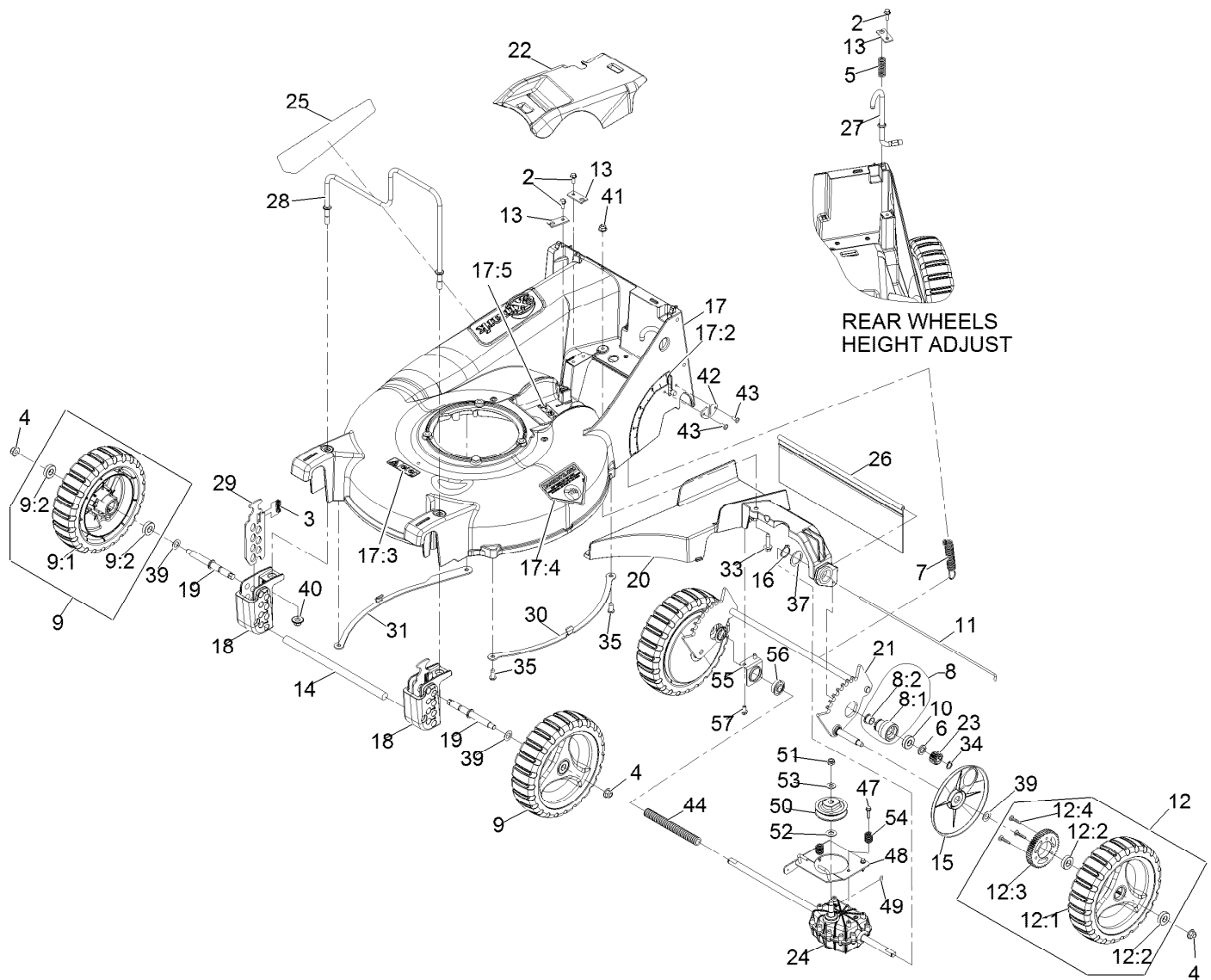
Deck and Wheel Assembly ..... 4

Deck and Wheel Assembly ..... 6

Bag and Door Assembly ..... 7

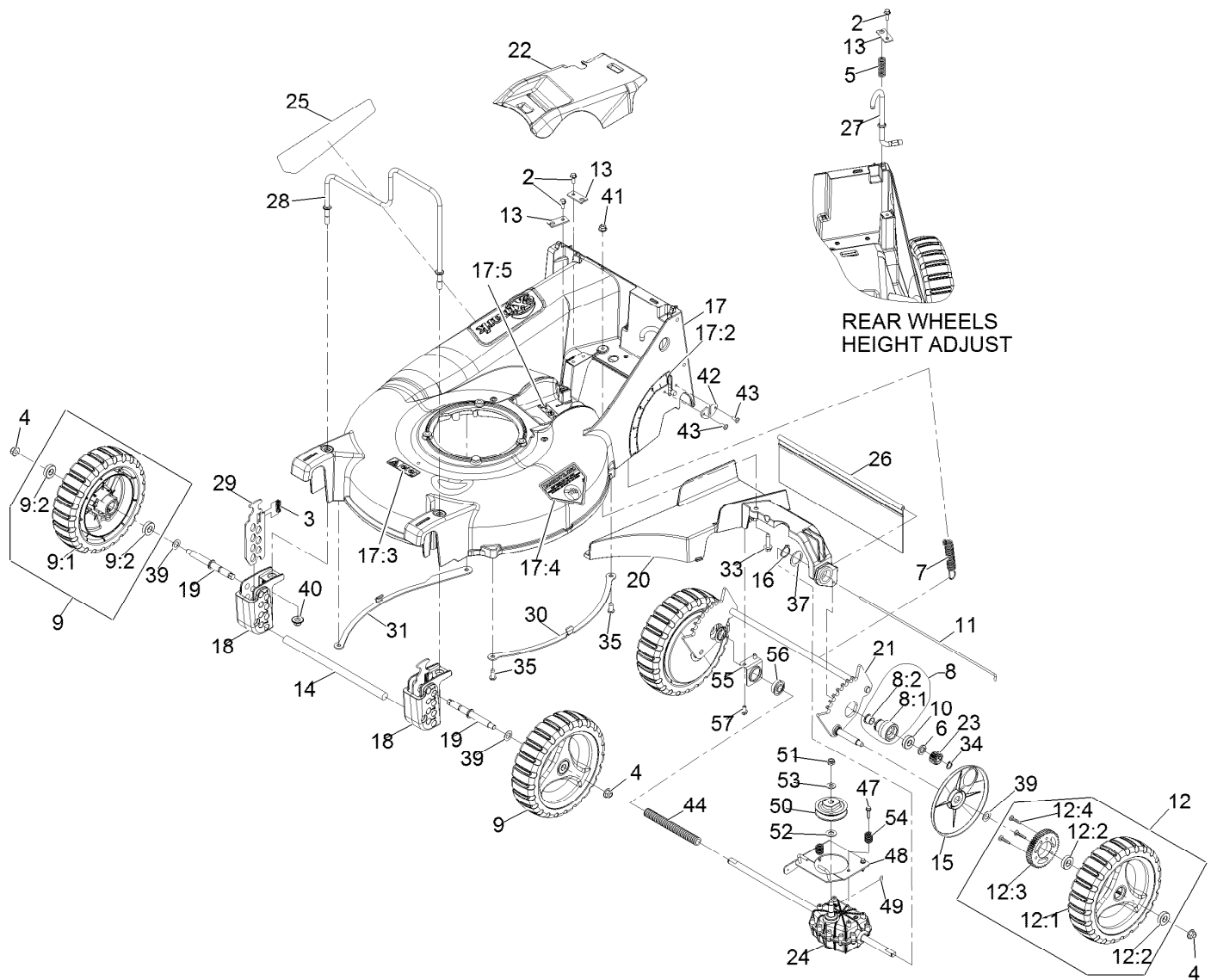
Handle Assembly ..... 8

Engine Assembly ..... 9



## Deck and Wheel Assembly

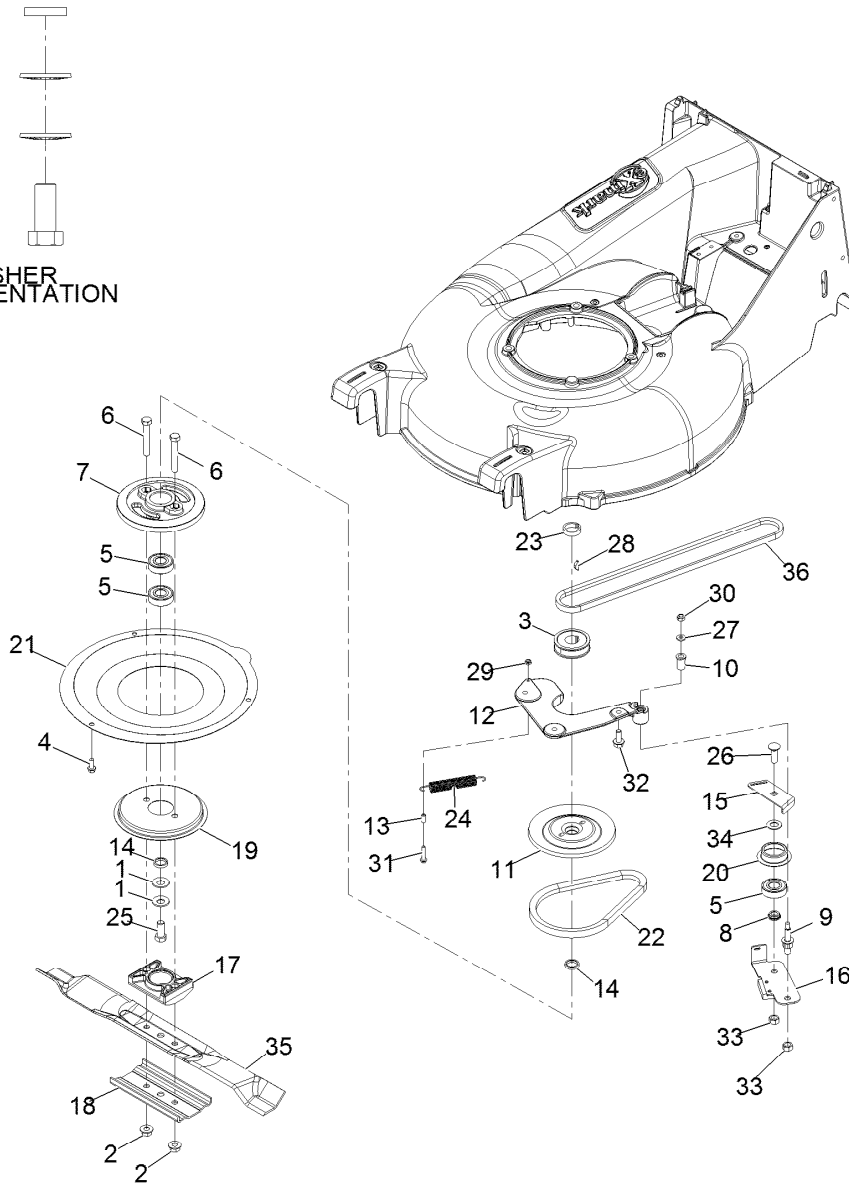
Ref.	Part Number	Qty.	Description	Ref.	Part Number	Qty.	Description
2	32144-85	3	Screw-HWH 1/4-20 X .62	15	109-9287	2	Cover,Gear
3	109-7258	2	Spring-Compression	16	32151-36	2	Ring-Retaining
4	104-8301	4	Nut-Nyloc 3/8-16 Flg	17	116-2006	1	Deck W/Decals
5	109-7694	1	Spring-Compression	17:2	116-1922	1	Decal-Height Of Cut
6	108-5059	2	Spacer-Bushing	17:3	130-9670	1	Decal-Warning, Blade
7	109-7692	1	Spring-Extension	17:4	94-8072	1	Decal-Danger
8	116-6172	2	Housing ASM	17:5	119-0217	1	Decal-Danger
8:1	116-6171	1	Housing-Bearing	18	109-9302	2	Block,Front Quadrant
8:2	116-4279	1	Bearing-Flange	19	116-0994	2	Axle-Wheel
9	109-8016	2	Wheel And Tire ASM	20	116-9646-01	1	Bracket-Transmission And Chute
9:1	109-8033	1	9-Inch Wheel ASM	21	109-9312	1	Wld,Rear Axle P21
9:2	109-8020	2	Bearing-Ball	22	109-9324	1	Cover,Belt
10	109-8020	2	Bearing-Ball	23	110-9417	2	Gear-Pinion, 15T
11	109-8025	1	Rod,Shield	24	116-9906	1	Transmission-HD, 4.5/1
12	109-8032	2	ASM,Rear Wheel 9"	25	116-4385	1	Decal-Comm 21 X-Series
12:1	109-8033	1	9-Inch Wheel ASM	26	116-0252	1	Shield-Trailing P21
12:2	109-8020	2	Bearing-Ball	27	116-0329	1	Rod-Height Adj P21
12:3	109-7264	1	Gear	28	116-0522	1	Guard,Engine
12:4	27-6260	3	Screw-Drive	29	109-9292	2	Plate, Front Height
13	109-8441	3	Bracket,Mount	30	116-0995-03	1	Skid,LH
14	109-8454	1	Rod,Bumper				



## Deck and Wheel Assembly (continued)

Ref.	Part Number	Qty.	Description	Ref.	Part Number	Qty.	Description
31	116-0996-03	1	Skid,RH	44	126-2335	1	Cover-Shaft-Drive
33	32144-49	1	Screw-HWH 5/16-18 1 1/4 Tf	47	27-0220	3	Screw-Special
34	32151-61	2	Ring-Retaining	48	116-3539-03	1	Transmission Plate ASM
35	613381	4	Screw-Button Head 5/16-18 X .725 Tf	49	3257-1	1	Key-Woodruff 1/8 X 1/2
37	74-1810	2	Washer	50	39-6740	1	Pulley
39	36-4780	4	Washer	51	3296-5	1	Nut-Nyloc 3/8-24 Thin
40	109-6658	2	Nut-Nyloc 3/8-16 Flg	52	36-4792	1	Washer-Thrust
41	104-8300	1	Nut-Nyloc 5/16-18 Flg	53	3256-45	1	Washer-Flat
42	116-2221	1	Plate,Wear	54	116-1438	2	Spring,Compression
43	114439	2	Rivet	55	120-7008	1	Mount-Bearing
				56	104-8699	1	Bearing-Ball
				57	9266714	2	Screw-HWH 1/4-20 X .50

WASHER  
ORIENTATION

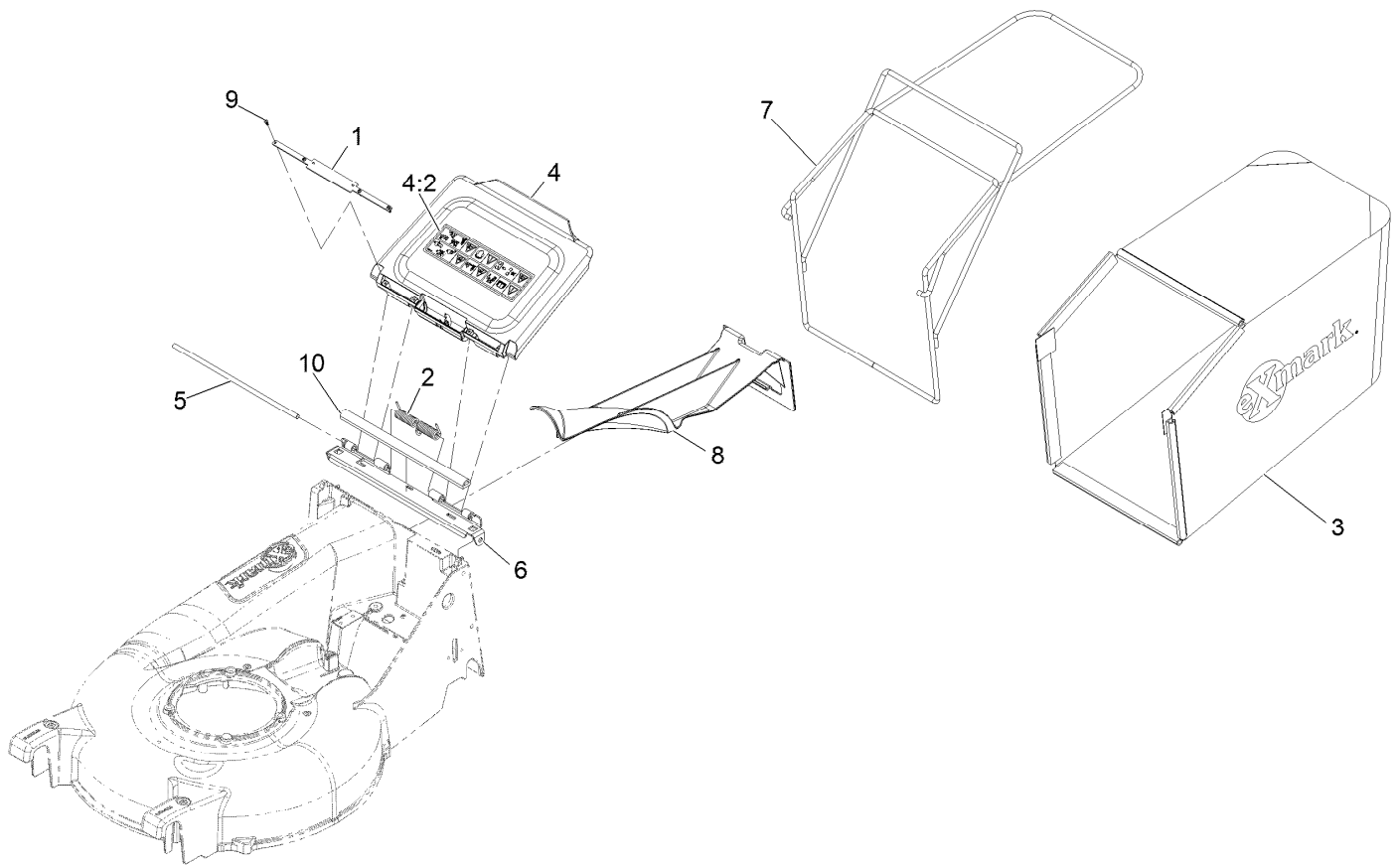


## Deck and Wheel Assembly

Ref.	Part Number	Qty.	Description
1	1-603610	2	Washer-Spring Disc 7/16
2	127-6852	2	Nut-Flange, Lock
3	56-6180	1	Pulley-Driver
4	32144-85	3	Screw-HWH 1/4-20 X .62
5	100-1048	3	Bearing-Ball
6	3211-42	2	Screw-HH 3/8-24 X 2 1/2
7	107-0754	1	Drum
8	107-0758	1	Spacer-Bearing
9	107-0759	1	Bolt-Shoulder
10	107-0797	1	Bushing
11	107-4277-03	1	Pulley-Driver, Upper
12	116-3572	1	Plate-Mounting, BBC
13	107-4292	1	Spacer-BBC
14	107-4293	2	Spacer-Plate, BBC
15	107-7471	1	Plate-Guide
16	125-1063	1	Plate-Brake
17	107-7487	1	Support-Blade
18	108-3766-03	1	Support-Blade
19	108-3787	1	Disc

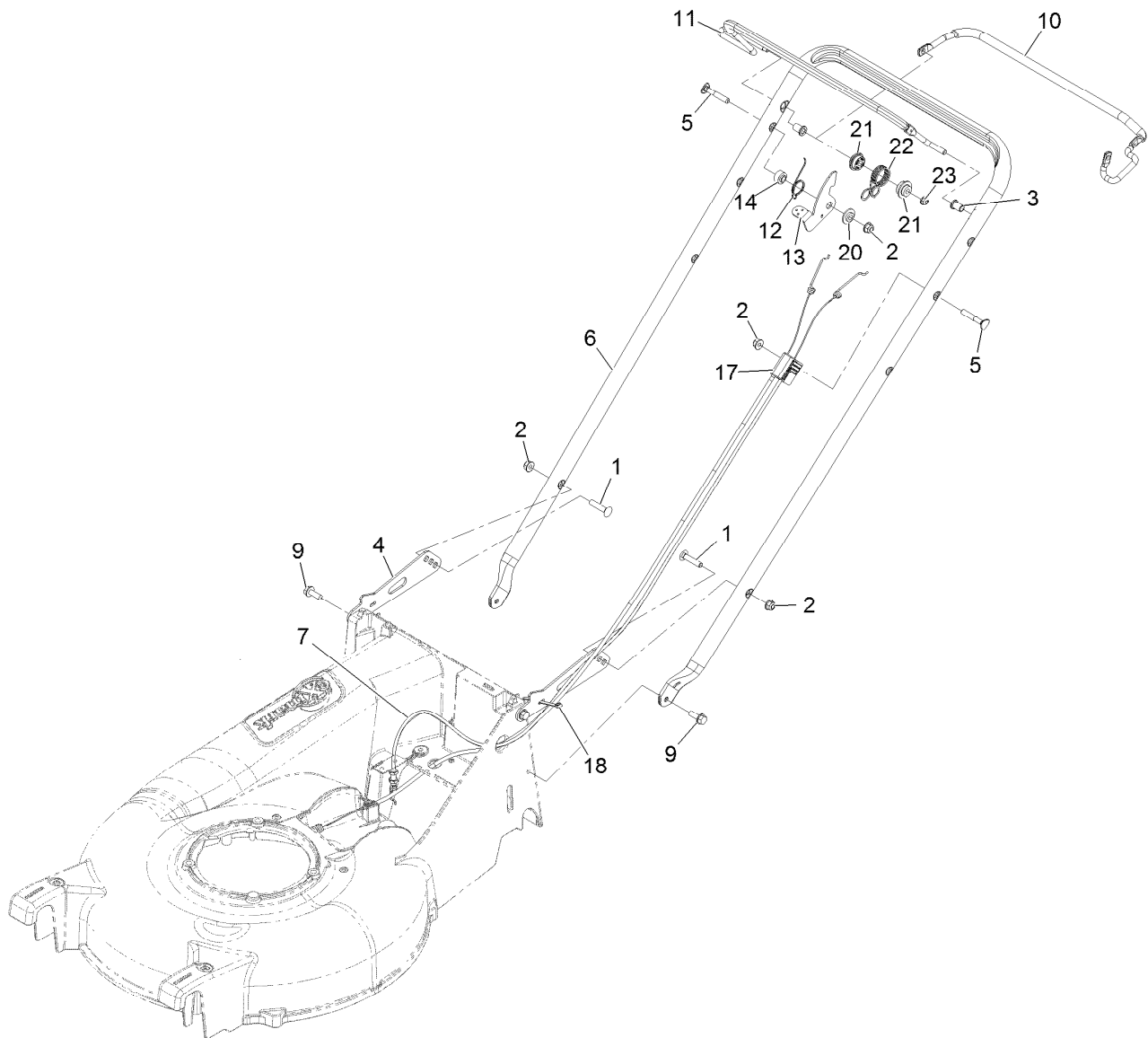
Ref.	Part Number	Qty.	Description
20	108-3790	1	Retainer-Belt
21	116-3360-03	1	Cover-BBC
22	110-1790	1	Belt-BBC
23	110-2142	1	Spacer-Pulley
24	115-4471	1	Spring-Extension
25	3212-4	1	Screw-HH 7/16-20 X 1 ●
26	3231-38	1	Bolt-Carriage 3/8-16 X 1 1/4
27	3256-16	1	Washer-#12 Std
28	3257-17	1	Key-Woodruff 5/32 X 21/32
29	3296-27	1	Nut-Lock #10-32
30	3296-42	1	Nut-Nyloc 1/4-20
31	32144-9	1	Screw-HWH #10-32 X 1 Taptite
32	33104-020	3	Screw-HH M8-1.25 X 20Mm ●
33	125-5069	2	Nut-Hex
34	605256	1	Washer-Plain
35	116-4500	1	Blade-Medium Lift, 20.5
36	109-7299	1	Belt,3L P21 Drive

● Use Pro-Lock, Nut Type (P/N 1-840022, .5ml tube) on threads.



## Bag and Door Assembly

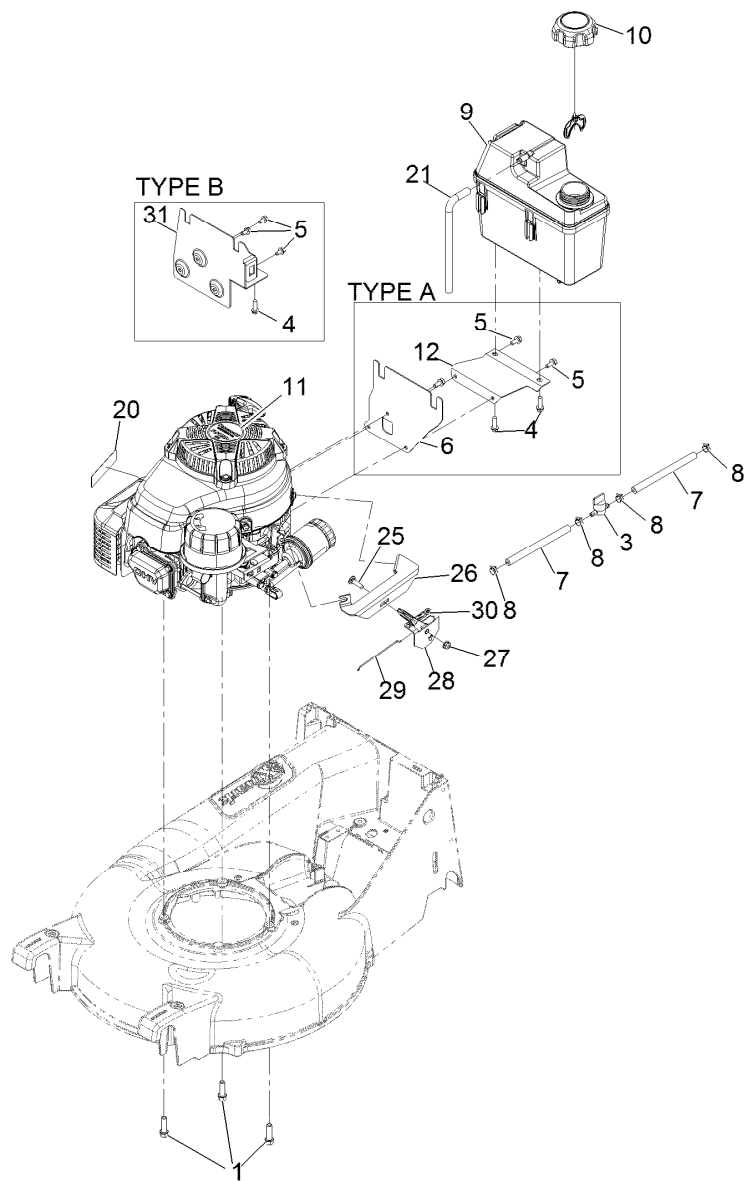
Ref.	Part Number	Qty.	Description
1	126-2628-03	1	Plate, Door Cover
2	126-2627	1	Spring-Plastic Door
3	126-2630	1	Bag-21 Grass
4	126-4200	1	ASM-Door & Decal
4:2	116-7583	1	Decal-Warning
5	126-2635	1	Pin-Door Pivot
6	126-2636-03	1	Bracket-Door Pivot
7	126-2631-03	1	Wld-Bag Frame
8	116-0251	1	Plug,Mulch
9	363-1596	4	Scr,TAP,6-19X7/16,Phph, Stl, Rohs
10	126-5438	1	Seal-Epdm Foam Bulb



## Handle Assembly

Ref.	Part Number	Qty.	Description	Ref.	Part Number	Qty.	Description
1	33-5790	2	Bolt-Carriage 5/16-18 X 1 1/2	11	109-8442	1	Bail
2	104-8300	4	Nut-Nyloc 5/16-18 Flg	12	109-9318	1	Spring-Lever, BBC
3	116-1478	2	Bushing-Handlebar	13	116-2998	1	Lever-BBC
4	109-9323-03	2	Bracket,Handlebar	14	116-2690	1	Bushing-Stepped
5	112-8876	2	Bolt-Carriage 5/16-18 X 2	17	116-0901	1	Cable-BBC
6	116-0119-03	1	Handlebar-P21	18	614249	1	Tie-Cable
7	116-9701	1	Cable, Drive	20	105-3006	1	Washer-Stepped
9	32144-41	4	Screw-HWH 3/8-16 X 7/8 Taptite	21	109-8457	2	Bushing-Spring, Pivot
10	116-7907	1	Bail-Drive Coated	22	109-9293	1	Spring,BBC Return
				23	104-7201	1	Nut-Nyloc 1/4-20 Flg





## Engine Assembly

<i>Ref.</i>	<i>Part Number</i>	<i>Qty.</i>	<i>Description</i>	<i>Ref.</i>	<i>Part Number</i>	<i>Qty.</i>	<i>Description</i>
1	95-1727	3	Screw-HWH 3/8-16 X 1 1/4 Taptite	11	109-6528	1	Decal-Recoil
3	1-603770	1	Valve-Fuel	12	125-8382-03	1	Bracket-Tank, Support
4	46-8091	2	Screw-HWH 1/4-10 X .82 Plastite	20	117-2718	1	Decal-Arrester, Spark
5	125-8383	3	Screw-HWH	21	115-0962	1	Hose-Vent, Canister
6	125-8381-03	1	Bracket-Tank, Mounting	25	3229-30	1	Bolt-Carriage 1/4-20 X 1
7	107-0588	2	Hose-Fuel	26	130-6440-03	1	Bracket-Mount, Throttle
8	2412-98	4	Clamp-Hose	27	104-7201	1	Nut-Nyloc 1/4-20 Flg
9	114-0280	1	Tank-Fuel	28	130-9655	1	Control-Throttle
10	109-6776	1	Cap-Ratchet, Tethered	29	130-9654	1	Wire-Control
				30	130-9656	1	Decal-Throttle, Choke
				31	109-9291-03	1	Bracket,Fuel Tank

**Notes:**

# EXMARK® MAINTENANCE

## MAXIMIZE THE PERFORMANCE OF YOUR EXMARK.

### **4-CYCLE PREMIUM ENGINE OIL**

Part No. 116-3373

Both SAE 30 and SAE 10W-30 in one bottle.

Contains increased levels of zinc and phosphorus for better lubricity.

No Viscosity Index Improvers that tend to shear down in high heat.

Synthetic formulation.

Gas & Diesel compatible.

Anti-corrosion additives.

API 'SL' and JASO rated with wet clutch compatibility for other machines.

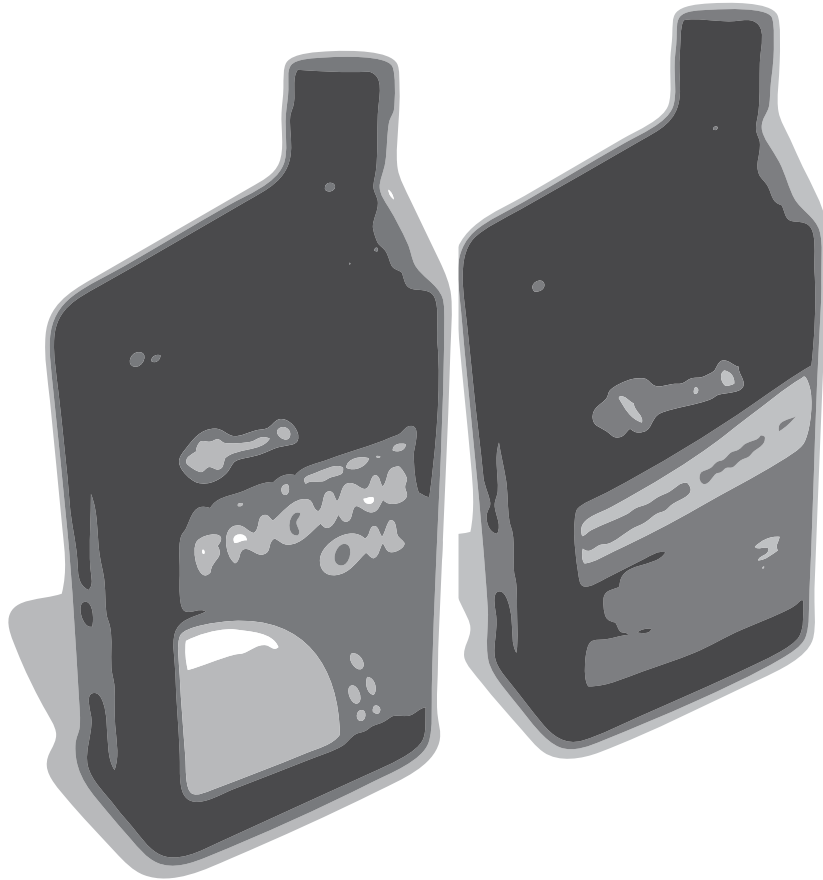
### **PREMIUM HYDRO OIL**

Part No. 109-9828

Commercial quality for tough, high-heat conditions.

Designed specifically for zero-turn mower hydraulic systems.

Superior shear resistance under heavy loads.



Available from your local Exmark dealer. Find your closest dealer at [exmark.com](http://exmark.com)

## EXMARK ACCESSORIES AND OPTIONS\*

### MID-MOUNT RIDING ACCESSORIES AND OPTIONS

CUSTOM RIDE SEAT SUSPENSION SYSTEM	OPERATOR CONTROLLED DISCHARGE
FULL SUSPENSION SEAT	SUN SHADE
DECK LIFT ASSIST KIT	TRASH CONTAINER
HITCH KIT	TURF STRIPER
LIGHT KIT	ULTRA VAC COLLECTION SYSTEM
12V POWER PORT	ULTRA VAC QUICK DISPOSAL SYSTEM
MICRO-MULCH SYSTEM	

### OUT-FRONT RIDING ACCESSORIES AND OPTIONS

CUSTOM RIDE SEAT SUSPENSION SYSTEM	SNOW BLADE
DUAL-TAIL WHEEL	SNOWBLOWER
FLOOR PAN EXTENDER	SUN SHADE
HITCH KIT	TRASH CONTAINER
LIGHT KIT	ULTRA VAC COLLECTION SYSTEM
MICRO-MULCH SYSTEM	ULTRA VAC QUICK DISPOSAL SYSTEM
ROLL OVER PROTECTION SYSTEM (ROPS)	WEATHER CAB

### WALK-BEHIND ACCESSORIES AND OPTIONS

GRASS CATCHER	TURF STRIPER
MICRO-MULCH SYSTEM	STANDON

\*Some accessories and options not available for some models.

Place Model No. and Serial No.  
Label Here (Included in the Literature  
Pack) or Fill in Below

Model No. \_\_\_\_\_

Serial No. \_\_\_\_\_

Date Purchased \_\_\_\_\_

Engine Model No. and Spec. No. \_\_\_\_\_

Engine Serial No. (E/No) \_\_\_\_\_

© 2015 Exmark Mfg. Co., Inc.  
Industrial Park Box 808  
Beatrice, NE 68310  
All Rights Reserved

Part No. 4502-335 Rev. A  
(402) 223-6300  
Fax (402) 223-5489  
Printed in the USA.

