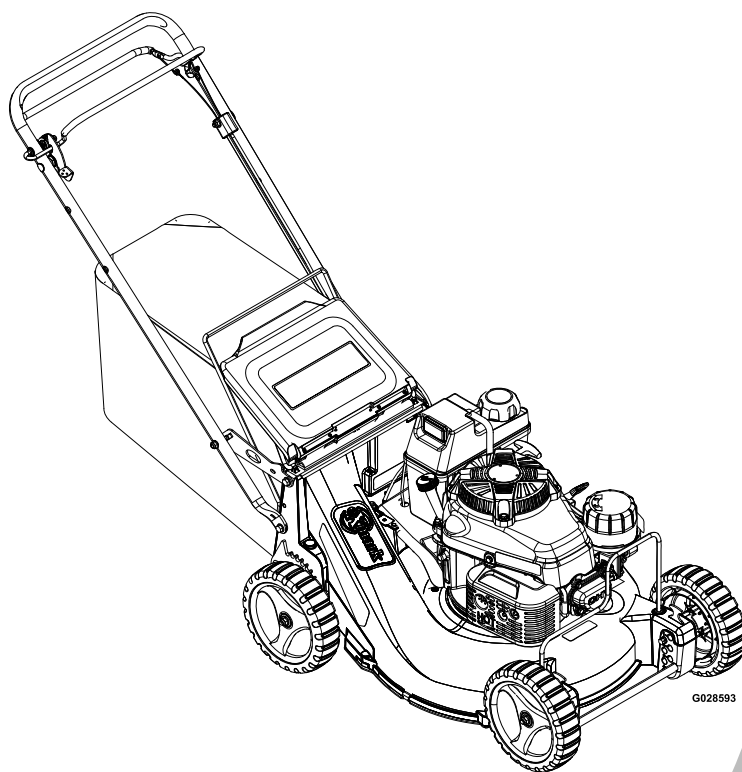




# COMMERCIAL 21

Model No. ECS180GKA21000—Serial No. 31500000 and Up

Picture below may not reflect actual product.



# Parts Manual

Part No. 4502-332 Rev. A

# Ordering Replacement Parts

To order replacement parts, please supply the part number, the quantity, and the description of each part desired.

## Understanding Reference Numbers

Each identified part in an illustration has a reference number. The reference number for a part also appears in the parts list, along with other information about the part.

This catalog uses two special reference number formats, one to indicate parts in a service assembly and another to indicate the quantity of a given part in an illustration.

## Service Assembly Reference Numbers

Parts in service assemblies have reference numbers in the form a:b. The a represents the reference number of the entire service assembly and the b represents a sequential number unique to each part within the service assembly.

For example, a wheel assembly might be identified by reference number 6, the tire by 6:1, the valve by 6:2, and the wheel by 6:3. When you order the assembly identified by reference number 6, you receive all parts identified by reference numbers 6:1, 6:2, and 6:3. However, you may also order any part individually. Reference numbers of this type appear in illustration and in parts lists.

## Reference Numbers Indicating Quantity

In an illustration, if a reference number indicates more than one part, the reference number has the form nX y. The n represents the quantity of the part, the X is the multiplication symbol, and the y represents the reference number.

For example, in an illustration, the reference number 2X 37 means that two of the parts identified by reference number 37 are indicated.

# List of Abbreviations

<b>AR:</b> as required	<b>HLH:</b> hex lag head	<b>PTH:</b> phillips truss head
<b>ASM:</b> assembly	<b>HOC:</b> height-of-cut	<b>PTO:</b> power-take-off
<b>BBC:</b> blade brake control	<b>HP:</b> high pressure	<b>RH:</b> right hand
<b>BHTF:</b> button head thread forming	<b>HSBH:</b> hex socket button head	<b>ROPS:</b> roll-over protection system
<b>CARR:</b> carriage	<b>HSFH:</b> hex socket flat head	<b>RRB:</b> rear roller brush
<b>CCW:</b> counter clockwise	<b>HSH:</b> hex socket head	<b>SFH:</b> slotted fillister head
<b>CW:</b> clockwise	<b>HWH:</b> hex washer head	<b>SHH:</b> slotted hex head
<b>DEG:</b> degrees	<b>HWHTF:</b> hex washer head thread forming	<b>SHWH:</b> slotted hex washer head
<b>DPA:</b> Dual Point Adjustment	<b>HYD:</b> hydraulic	<b>SPH:</b> slotted pan head
<b>ECM:</b> electronic control module	<b>LH:</b> left hand	<b>SQH:</b> square head
<b>EXT:</b> external	<b>LP:</b> low pressure	<b>SRH:</b> slotted round head
<b>FH:</b> flat head	<b>LPG:</b> Liquefied Petroleum Gas	<b>STD:</b> standard
<b>GA:</b> gauge	<b>NI:</b> nylon insert	<b>TAP:</b> self tapping
<b>HD:</b> heavy-duty	<b>NPTF:</b> national pipe thread fine	<b>TTH:</b> torx truss head
<b>HF:</b> hex flange	<b>PFH:</b> phillips flat head	
<b>HH:</b> hex head	<b>PPH:</b> phillips pan head	
<b>HHF:</b> hex head flange	<b>PPHTF:</b> phillips pan head thread forming	
<b>HHFTF:</b> hex head flange thread forming	<b>PRH:</b> phillips round head	
<b>HJ:</b> hex jam		

# Touch Up Paint

Exmark black touch up spray paint – gloss black.

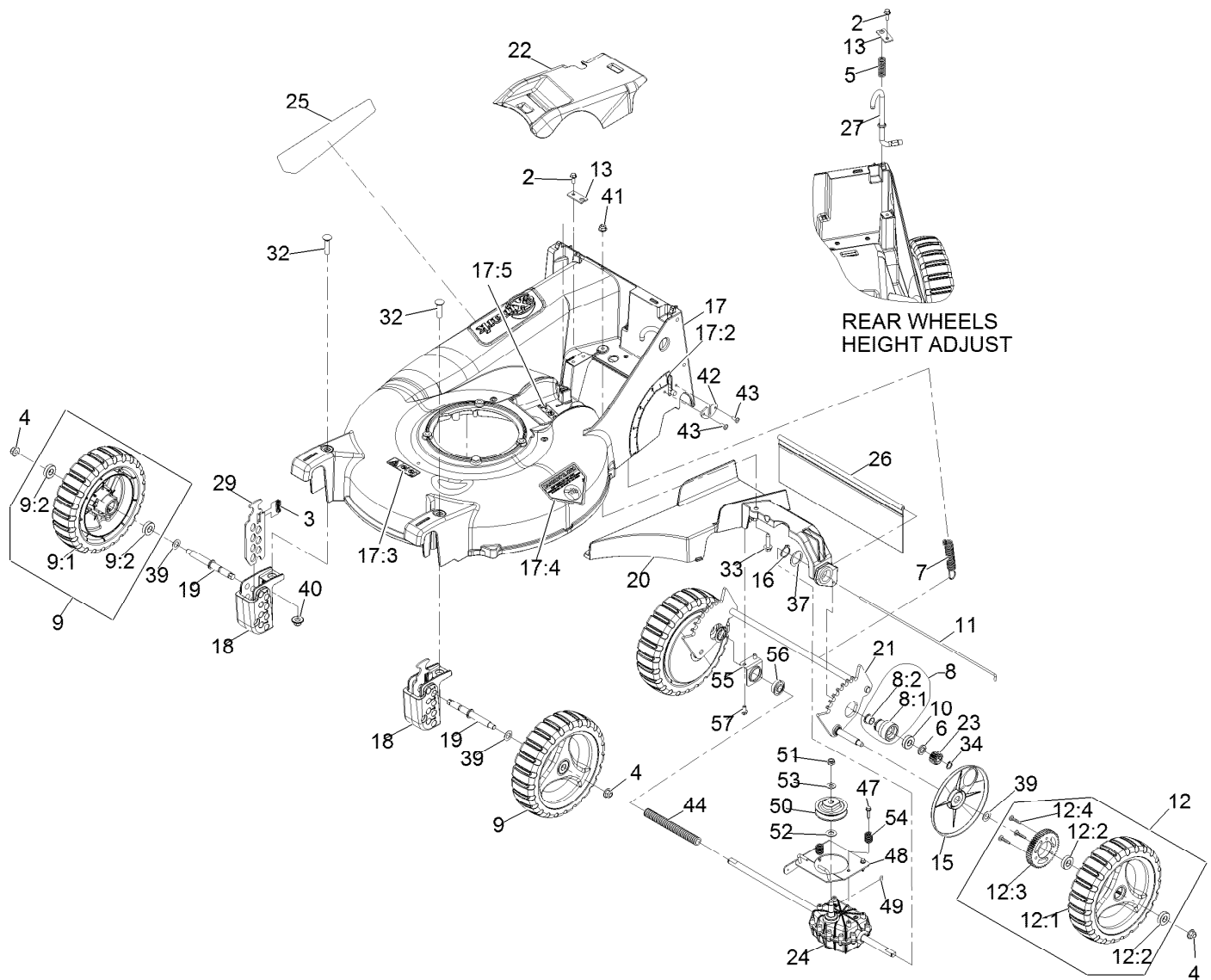
Exmark red touch up paint (spray paint – P/N 1-850337 - .6 oz liquid bottle – P/N 103-9140).



If your Exmark dealer does not have the Exmark part in stock, Exmark will get the parts to the dealer the next business day or the part will be FREE Guaranteed!! (Some restrictions apply. See your participating Exmark Dealer for details.)

## Contents

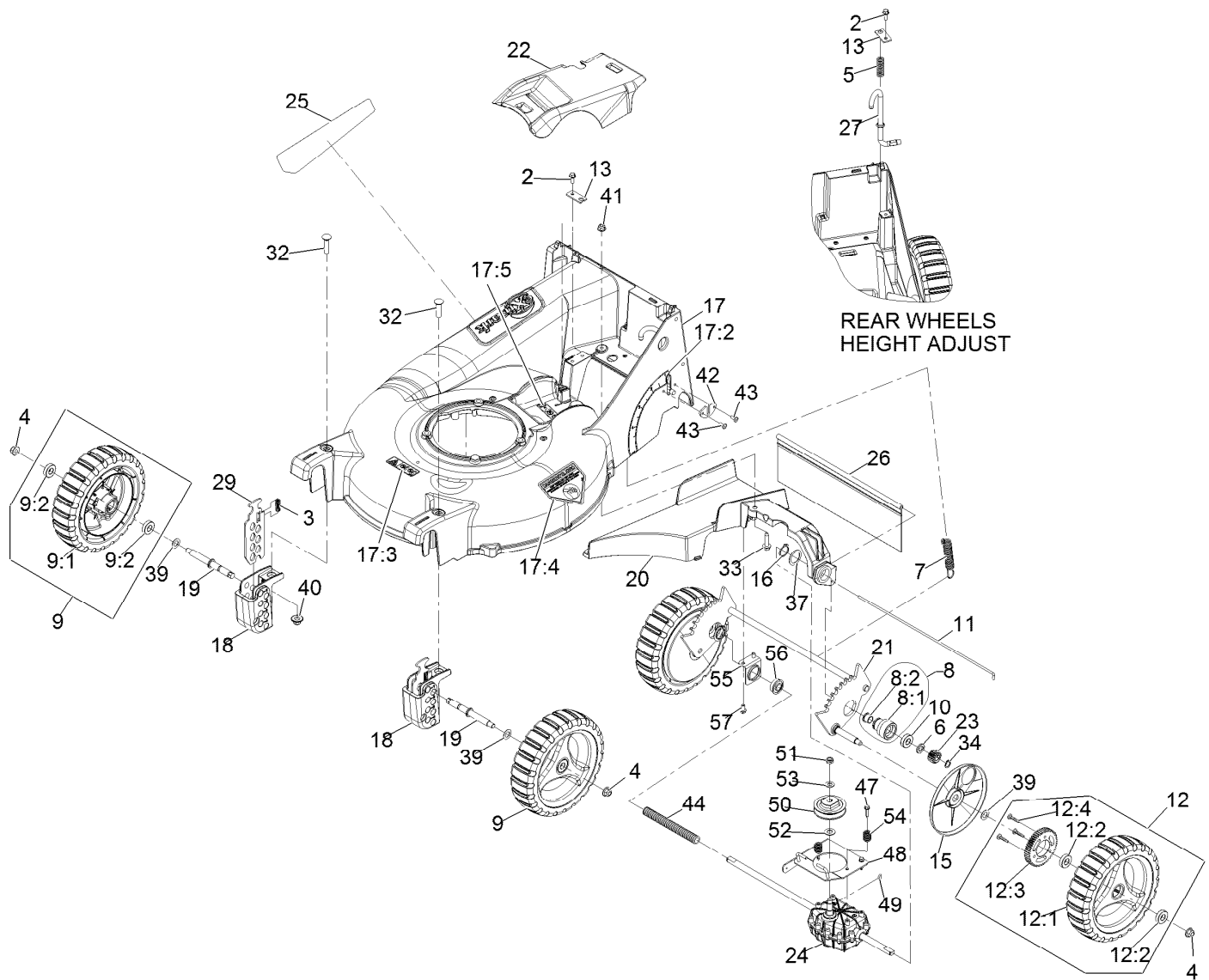
Deck and Wheel Assembly ..... 4  
Handle Assembly ..... 6  
Bag and Door Assembly ..... 7  
Blade Assembly ..... 8  
Engine Assembly ..... 9



REAR WHEELS  
HEIGHT ADJUST

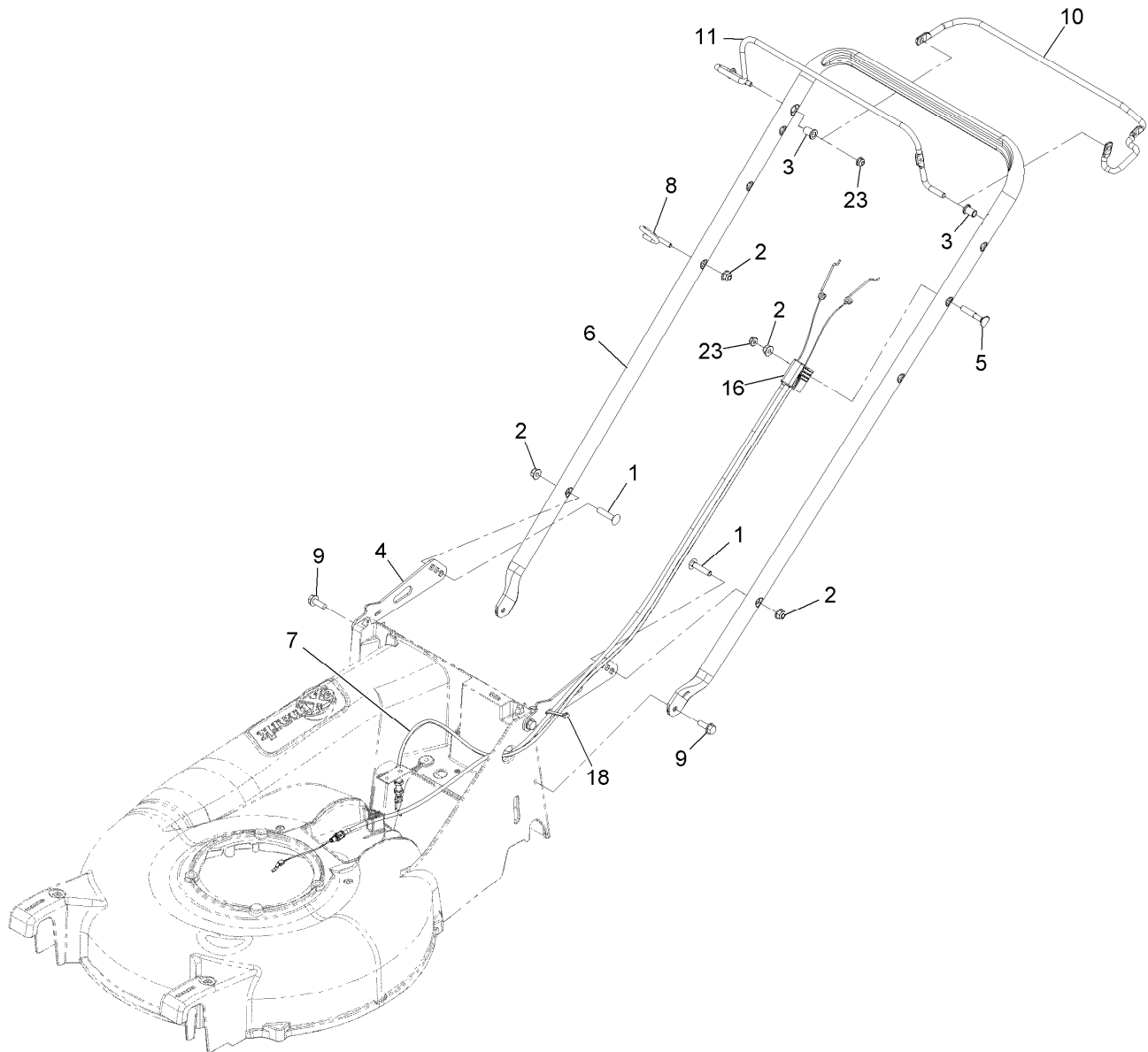
## Deck and Wheel Assembly

Ref.	Part Number	Qty.	Description	Ref.	Part Number	Qty.	Description
2	32144-85	2	Screw-HWH 1/4-20 X .62	16	32151-36	2	Ring-Retaining
3	109-7258	2	Spring-Compression	17	116-2006	1	Deck W/Decals
4	104-8301	4	Nut-Nyloc 3/8-16 Flg	17:2	116-1922	1	Decal-Height Of Cut
5	109-7694	1	Spring-Compression	17:3	130-9670	1	Decal-Warning, Blade
6	108-5059	2	Spacer-Bushing	17:4	94-8072	1	Decal-Danger
7	109-7692	1	Spring-Extension	17:5	119-0217	1	Decal-Danger
8	116-6172	2	Housing ASM	18	109-9302	2	Block,Front Quadrant
8:1	116-6171	1	Housing-Bearing	19	116-0994	2	Axle-Wheel
8:2	116-4279	1	Bearing-Flange	20	116-9646-01	1	Bracket-Transmission And Chute
9	109-8016	2	Wheel And Tire ASM	21	109-9312	1	Wld,Rear Axle P21
9:1	109-8033	1	9-Inch Wheel ASM	22	109-9324	1	Cover,Belt
9:2	109-8020	2	Bearing-Ball	23	110-9417	2	Gear-Pinion, 15T
10	109-8020	2	Bearing-Ball	24	116-9906	1	Transmission-HD, 4.5/1
11	109-8025	1	Rod,Shield	25	116-4362	1	Decal-Comm 21 S-Series
12	109-8032	2	ASM,Rear Wheel 9"	26	116-0252	1	Shield-Trailing P21
12:1	109-8033	1	9-Inch Wheel ASM	27	116-0329	1	Rod-Height Adj P21
12:2	109-8020	2	Bearing-Ball	29	109-9292	2	Plate, Front Height
12:3	109-7264	1	Gear	32	109-8449	2	Bolt-Carriage 3/8-16 X 1 1/2 Tf
12:4	27-6260	3	Screw-Drive	33	32144-49	1	Screw-HWH 5/16-18 1 1/4 Tf
13	109-8441	2	Bracket,Mount				
15	109-9287	2	Cover,Gear				



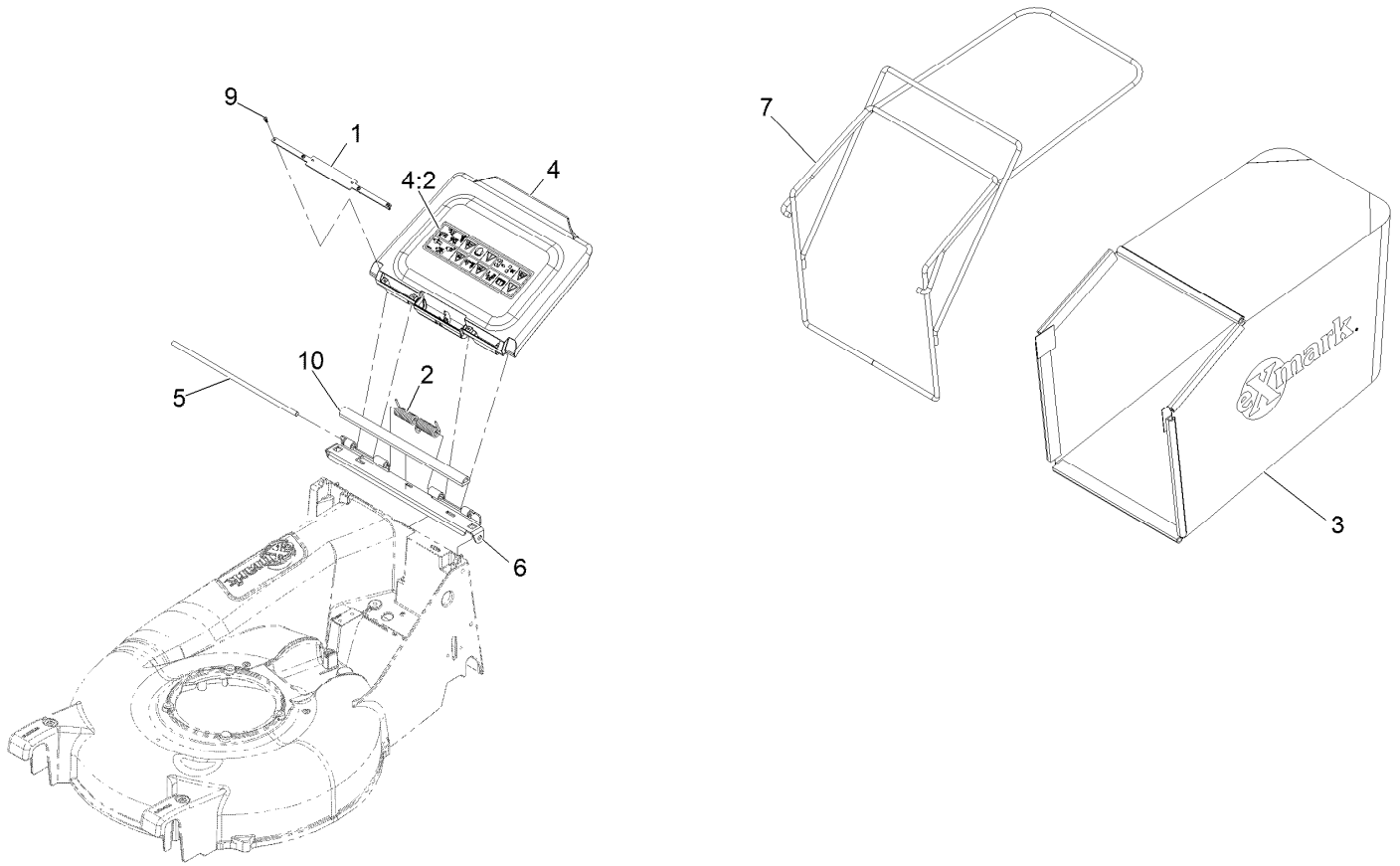
## Deck and Wheel Assembly (continued)

Ref.	Part Number	Qty.	Description	Ref.	Part Number	Qty.	Description
34	32151-61	2	Ring-Retaining	49	3257-1	1	Key-Woodruff 1/8 X 1/2
37	74-1810	2	Washer	50	39-6740	1	Pulley
39	36-4780	4	Washer	51	3296-5	1	Nut-Nyloc 3/8-24 Thin
40	109-6658	2	Nut-Nyloc 3/8-16 Flg	52	36-4792	1	Washer-Thrust
41	104-8300	1	Nut-Nyloc 5/16-18 Flg	53	3256-45	1	Washer-Flat
42	116-2221	1	Plate,Wear	54	116-1438	2	Spring,Compression
43	114439	2	Rivet	55	120-7008	1	Mount-Bearing
44	126-2335	1	Cover-Shaft-Drive	56	104-8699	1	Bearing-Ball
47	27-0220	3	Screw-Special	57	9266714	2	Screw-HWH 1/4-20 X .50
48	116-3539-03	1	Transmission Plate ASM				



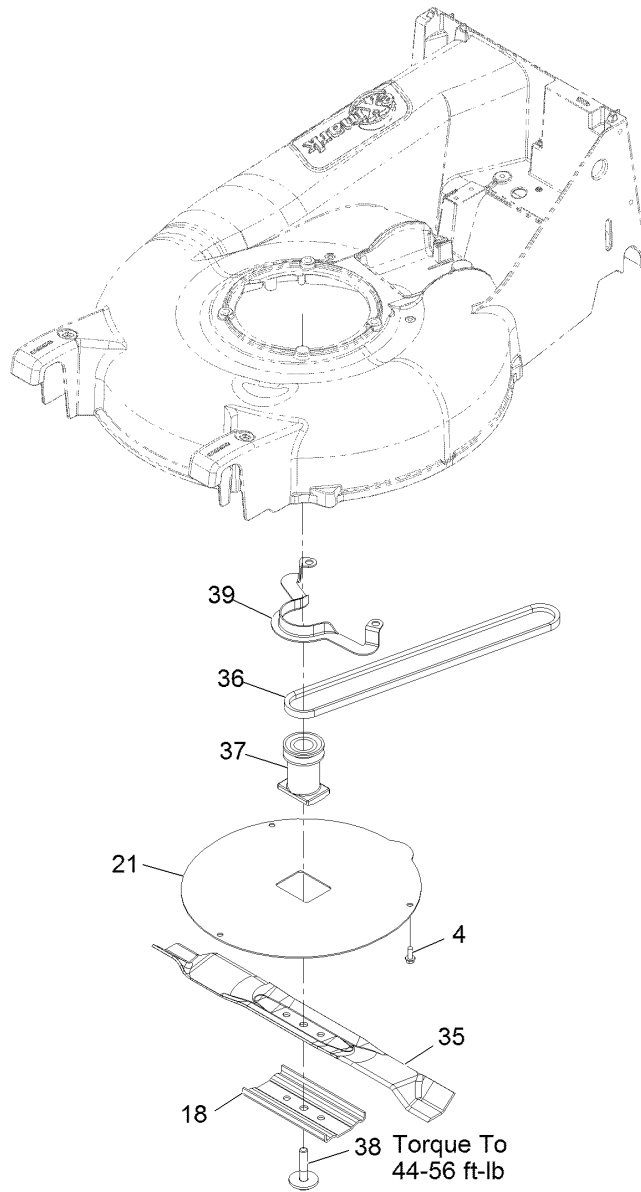
## Handle Assembly

Ref.	Part Number	Qty.	Description
1	33-5790	2	Bolt-Carriage 5/16-18 X 1 1/2
2	104-8300	4	Nut-Nyloc 5/16-18 Flg
3	116-1478	2	Bushing-Handlebar
4	109-9323-03	2	Bracket, Handlebar
5	112-8876	1	Bolt-Carriage 5/16-18 X 2
6	116-0119-03	1	Handlebar-P21
7	116-9701	1	Cable, Drive
8	116-1056	1	Guide, Rope
9	32144-41	4	Screw-HWH 3/8-16 X 7/8 Taptite
10	116-7797	1	Bail-Drive
11	116-2252	1	Bail, Opc/BBC
16	116-0905	1	Cable-Zone Kawasaki
18	614249	1	Tie-Cable
23	104-7201	1	Nut-Nyloc 1/4-20 Flg



## Bag and Door Assembly

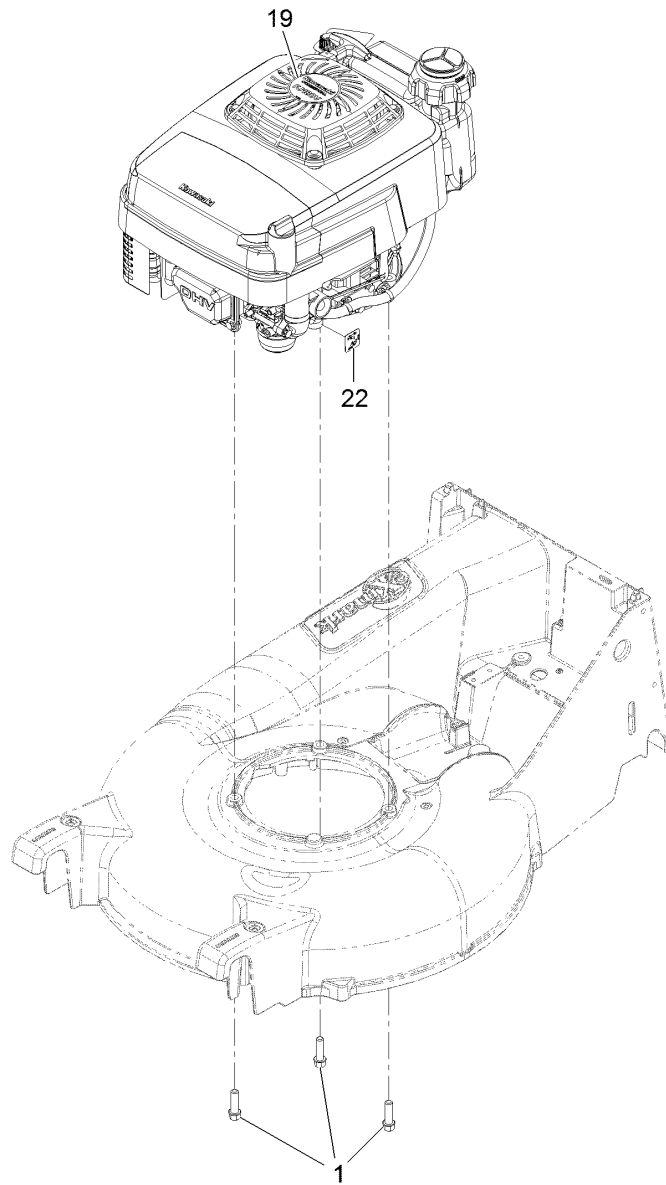
Ref.	Part Number	Qty.	Description
1	126-2628-03	1	Plate, Door Cover
2	126-2627	1	Spring-Plastic Door
3	126-2630	1	Bag-21 Grass
4	126-4200	1	ASM-Door & Decal
4:2	116-7583	1	Decal-Warning
5	126-2635	1	Pin-Door Pivot
6	126-2636-03	1	Bracket-Door Pivot
7	126-2631-03	1	Wld-Bag Frame
9	363-1596	4	Scr, TAP, 6-19X7/16, Phph, Stl, Rohs
10	126-5438	1	Seal-Epdm Foam Bulb



## Blade Assembly

<i>Ref.</i>	<i>Part Number</i>	<i>Qty.</i>	<i>Description</i>
4	32144-85	3	Screw-HWH 1/4-20 X .62
18	108-3766-03	1	Support-Blade
21	116-3503-03	1	Cover-As
35	116-4500	1	Blade-Medium Lift, 20.5
36	109-7299	1	Belt,3L P21 Drive
37	109-7257	1	Blade-Adapter
38	116-0005	1	Bolt-Blade, Sem
39	108-8110-03	1	Guide-Belt





## Engine Assembly

<i>Ref.</i>	<i>Part Number</i>	<i>Qty.</i>	<i>Description</i>
1	95-1727	3	Screw-HWH 3/8-16 X 1 1/4 Taptite
19	107-4201	1	Decal-Recoil
22	125-8403	1	Decal-Primer

**Notes:**

# EXMARK® MAINTENANCE

## MAXIMIZE THE PERFORMANCE OF YOUR EXMARK.

### **4-CYCLE PREMIUM ENGINE OIL**

Part No. 116-3373

Both SAE 30 and SAE 10W-30 in one bottle.

Contains increased levels of zinc and phosphorus for better lubricity.

No Viscosity Index Improvers that tend to shear down in high heat.

Synthetic formulation.

Gas & Diesel compatible.

Anti-corrosion additives.

API 'SL' and JASO rated with wet clutch compatibility for other machines.

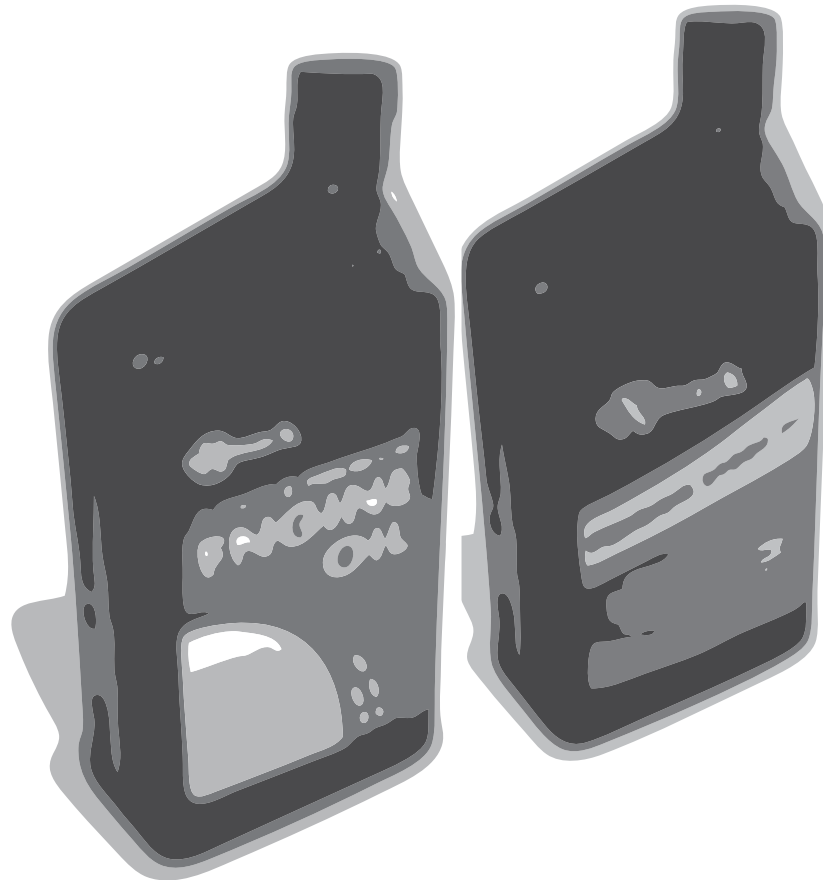
### **PREMIUM HYDRO OIL**

Part No. 109-9828

Commercial quality for tough, high-heat conditions.

Designed specifically for zero-turn mower hydraulic systems.

Superior shear resistance under heavy loads.



Available from your local Exmark dealer. Find your closest dealer at [exmark.com](http://exmark.com)

## EXMARK ACCESSORIES AND OPTIONS\*

### MID-MOUNT RIDING ACCESSORIES AND OPTIONS

CUSTOM RIDE SEAT SUSPENSION SYSTEM	OPERATOR CONTROLLED DISCHARGE
FULL SUSPENSION SEAT	SUN SHADE
DECK LIFT ASSIST KIT	TRASH CONTAINER
HITCH KIT	TURF STRIPER
LIGHT KIT	ULTRA VAC COLLECTION SYSTEM
12V POWER PORT	ULTRA VAC QUICK DISPOSAL SYSTEM
MICRO-MULCH SYSTEM	

### OUT-FRONT RIDING ACCESSORIES AND OPTIONS

CUSTOM RIDE SEAT SUSPENSION SYSTEM	SNOW BLADE
DUAL-TAIL WHEEL	SNOWBLOWER
FLOOR PAN EXTENDER	SUN SHADE
HITCH KIT	TRASH CONTAINER
LIGHT KIT	ULTRA VAC COLLECTION SYSTEM
MICRO-MULCH SYSTEM	ULTRA VAC QUICK DISPOSAL SYSTEM
ROLL OVER PROTECTION SYSTEM (ROPS)	WEATHER CAB

### WALK-BEHIND ACCESSORIES AND OPTIONS

GRASS CATCHER	TURF STRIPER
MICRO-MULCH SYSTEM	STANDON

\*Some accessories and options not available for some models.

Place Model No. and Serial No.  
Label Here (Included in the Literature  
Pack) or Fill in Below

Model No. \_\_\_\_\_

Serial No. \_\_\_\_\_

Date Purchased \_\_\_\_\_

Engine Model No. and Spec. No. \_\_\_\_\_

Engine Serial No. (E/No) \_\_\_\_\_

© 2015 Exmark Mfg. Co., Inc.  
Industrial Park Box 808  
Beatrice, NE 68310  
All Rights Reserved

Part No. 4502-332 Rev. A  
(402) 223-6300  
Fax (402) 223-5489  
Printed in the USA.

