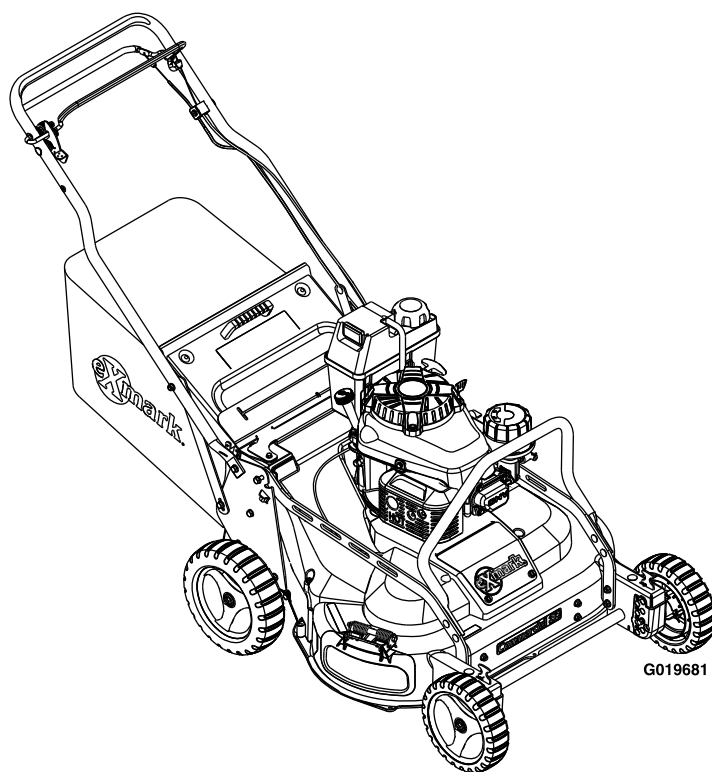




COMMERCIAL 30

Model No. ECS180CKA30000—Serial No. 31500000 and Up

Picture below may not reflect actual product.



G019681

Parts Manual

Ordering Replacement Parts

To order replacement parts, please supply the part number, the quantity, and the description of each part desired.

Understanding Reference Numbers

Each identified part in an illustration has a reference number. The reference number for a part also appears in the parts list, along with other information about the part.

This catalog uses two special reference number formats, one to indicate parts in a service assembly and another to indicate the quantity of a given part in an illustration.

Service Assembly Reference Numbers

Parts in service assemblies have reference numbers in the form a:b. The a represents the reference number of the entire service assembly and the b represents a sequential number unique to each part within the service assembly.

For example, a wheel assembly might be identified by reference number 6, the tire by 6:1, the valve by 6:2, and the wheel by 6:3. When you order the assembly identified by reference number 6, you receive all parts identified by reference numbers 6:1, 6:2, and 6:3. However, you may also order any part individually. Reference numbers of this type appear in illustration and in parts lists.

Reference Numbers Indicating Quantity

In an illustration, if a reference number indicates more than one part, the reference number has the form nX y. The n represents the quantity of the part, the X is the multiplication symbol, and the y represents the reference number.

For example, in an illustration, the reference number 2X 37 means that two of the parts identified by reference number 37 are indicated.

List of Abbreviations

| | | |
|--|--|--|
| AR: as required | HLH: hex lag head | PTH: phillips truss head |
| ASM: assembly | HOC: height-of-cut | PTO: power-take-off |
| BBC: blade brake control | HP: high pressure | RH: right hand |
| BHTF: button head thread forming | HSBH: hex socket button head | ROPS: roll-over protection system |
| CARR: carriage | HSFH: hex socket flat head | RRB: rear roller brush |
| CCW: counter clockwise | HSH: hex socket head | SFH: slotted fillister head |
| CW: clockwise | HWH: hex washer head | SHH: slotted hex head |
| DEG: degrees | HWHTF: hex washer head thread forming | SHWH: slotted hex washer head |
| DPA: Dual Point Adjustment | HYD: hydraulic | SPH: slotted pan head |
| ECM: electronic control module | LH: left hand | SQH: square head |
| EXT: external | LP: low pressure | SRH: slotted round head |
| FH: flat head | LPG: Liquefied Petroleum Gas | STD: standard |
| GA: gauge | NI: nylon insert | TAP: self tapping |
| HD: heavy-duty | NPTF: national pipe thread fine | TTH: torx truss head |
| HF: hex flange | PFH: phillips flat head | |
| HH: hex head | PPH: phillips pan head | |
| HHF: hex head flange | PPHTF: phillips pan head thread forming | |
| HHFTF: hex head flange thread forming | PRH: phillips round head | |
| HJ: hex jam | | |

Touch Up Paint

Exmark black touch up spray paint – gloss black.

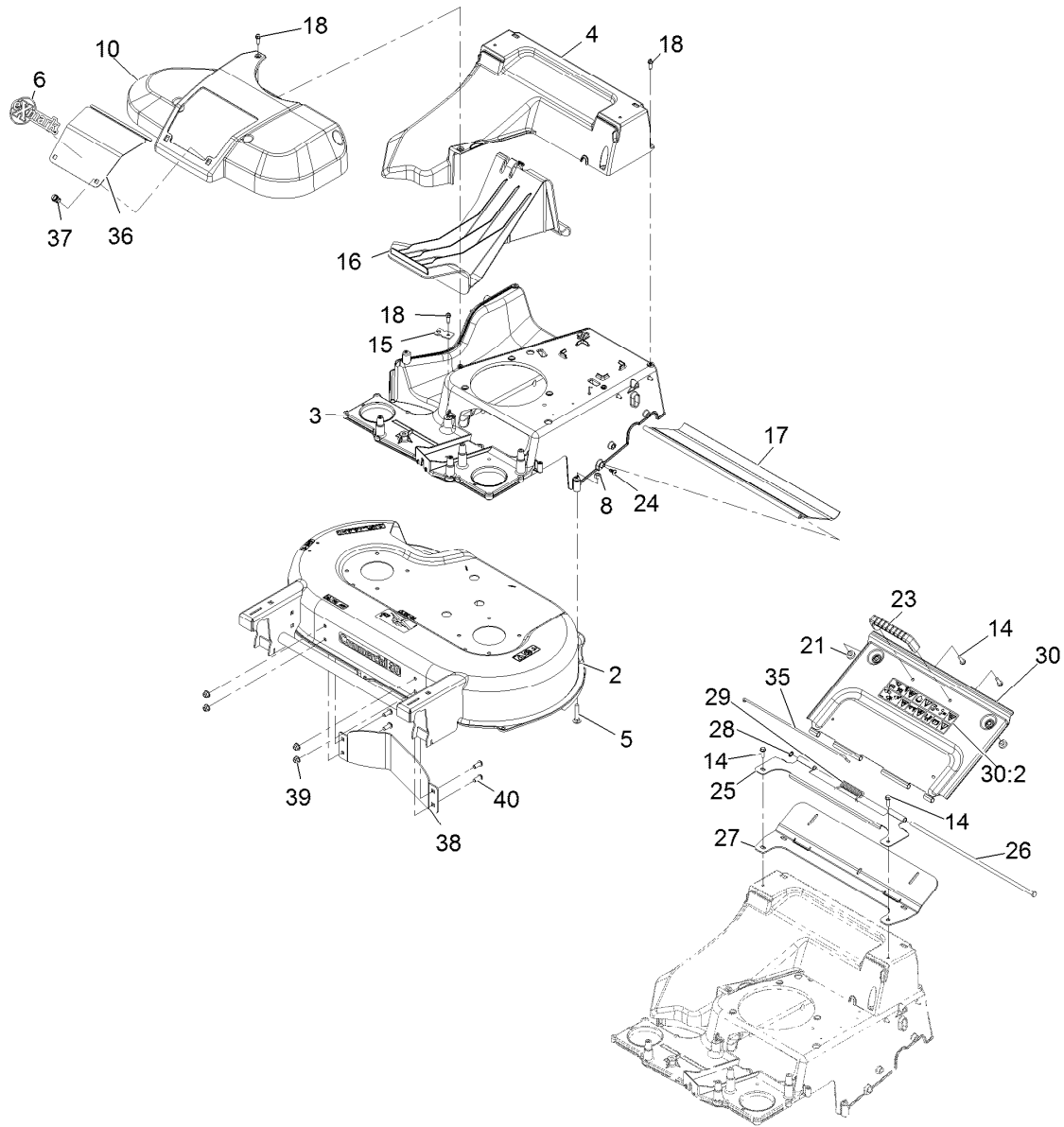
Exmark red touch up paint (spray paint – P/N 1-850337 - .6 oz liquid bottle – P/N 103-9140).



If your Exmark dealer does not have the Exmark part in stock, Exmark will get the parts to the dealer the next business day or the part will be FREE Guaranteed!! (Some restrictions apply. See your participating Exmark Dealer for details.)

Contents

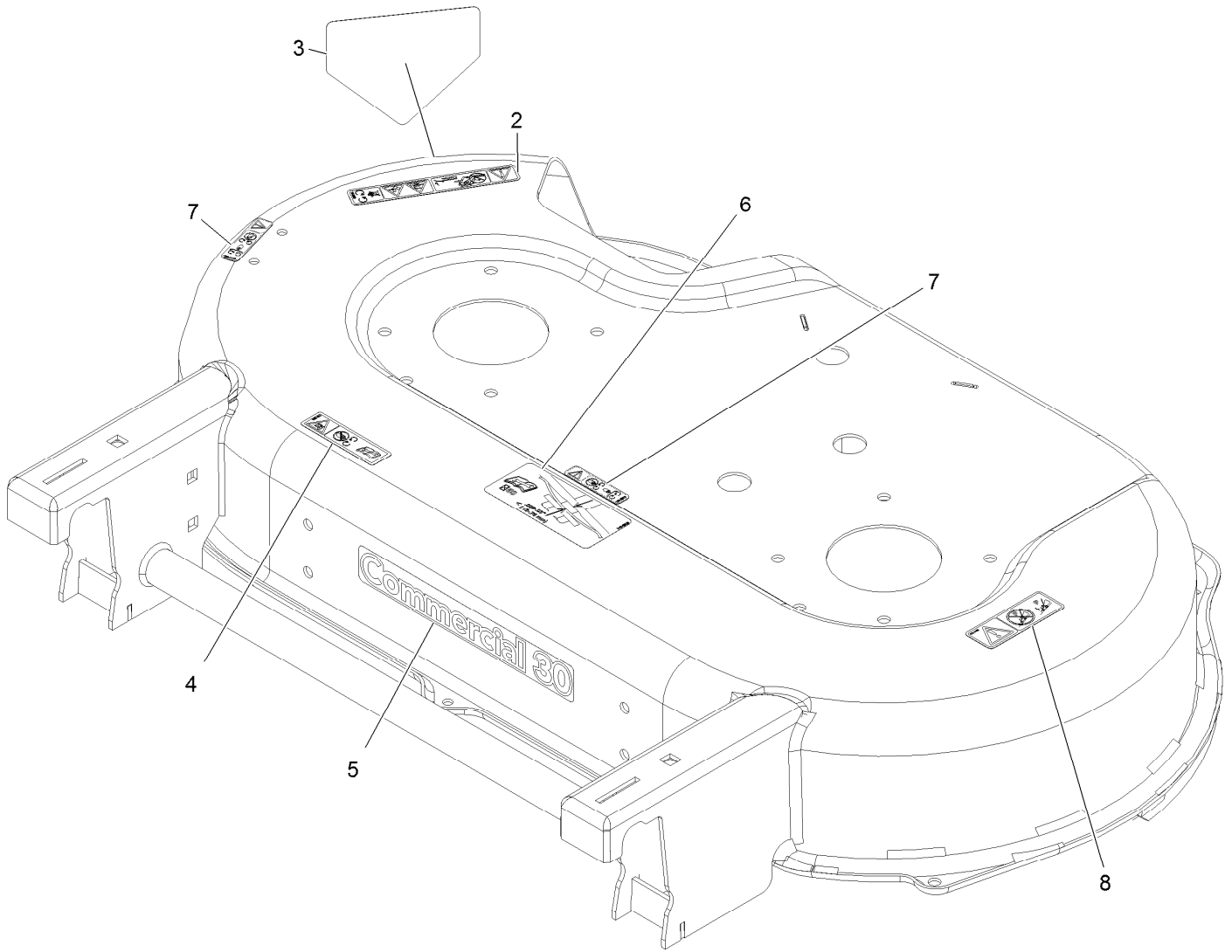
- Deck, Frame, and Chute Assembly 4
- Deck W/Decals 5
- Spindle and Blade Assembly 6
- Side Discharge Chute Assembly 7
- Bag Assembly 8
- Engine and Fuel Assembly 9
- Front Bumper and Wheel Assembly 10
- Deck and Wheel Assembly 11
- Handle Assembly 12



Deck, Frame, and Chute Assembly

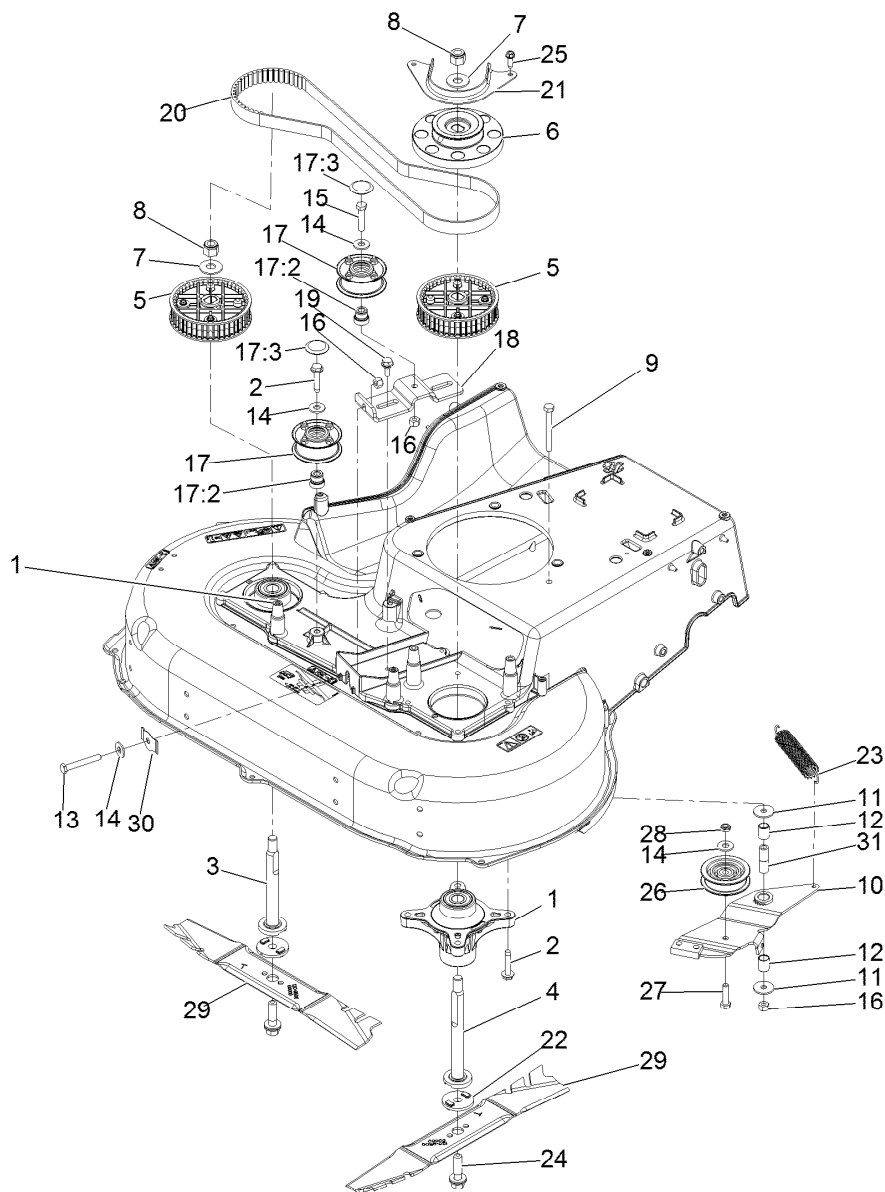
| Ref. | Part Number | Qty. | Description | Ref. | Part Number | Qty. | Description |
|------|-------------|------|---------------------------|------|-------------|------|---------------------------------|
| 2 | 116-8354 | 1 | Deck ASM | 27 | 116-6229 | 1 | Seal-Door |
| 3 | 127-6859-01 | 1 | Frame | 28 | 32151-72 | 1 | Ring-Retaining |
| 4 | 120-3336 | 1 | Chute | 29 | 116-7573 | 1 | Spring-Torsion, Cover |
| 5 | 127-6841 | 2 | Screw-CARR | 30 | 116-8355 | 1 | Rear Door ASM |
| 6 | 103-2883 | 1 | Decal, Exmark Logo | 30:2 | 116-7583 | 1 | Decal-Warning |
| 8 | 3296-29 | 2 | Nut-Nyloc 5/16-18 | 35 | 116-6966 | 1 | Clip-Seal |
| 10 | 121-5810 | 1 | Cover-Belt | 36 | 121-5793-03 | 1 | Door-Access |
| 14 | 46-8091 | 4 | Screw-HWH 1/4-10 X .82 | 37 | 121-5840 | 2 | Fastener |
| 15 | 107-7497 | 1 | Bracket-Cable, Traction | 38 | 130-2352-01 | 1 | Baffle-Control |
| 16 | 120-5225 | 1 | Plug-Mulch | 39 | 104-8300 | 4 | Nut-Nyloc 5/16-18 Flg |
| 17 | 121-5841 | 1 | Shield-Trailing | 40 | 3274-55 | 4 | Screw-Button Head 5/16-18 X 3/4 |
| 18 | 49-2040 | 9 | Screw-HWH 1/4-20 X 3/4 Tf | 99 | 125-5072 | 1 | Frame Plate Kit ● |
| 21 | 1-513658 | 2 | Bumper | 99:1 | 125-2542 | 1 | Plate Frame ASM ● |
| 23 | 65-5100 | 1 | Handle-Door | 99:2 | 3229-3 | 3 | Bolt-Carriage 1/4-20 X 1 1/4 ● |
| 24 | 117-1092 | 2 | Screw-PTH | 99:3 | 3296-42 | 3 | Nut-Nyloc 1/4-20 ● |
| 25 | 116-6351-03 | 1 | Bracket-Hinge | | | | |
| 26 | 116-6933 | 1 | Pin-Hinge | | | | |

● Not illustrated



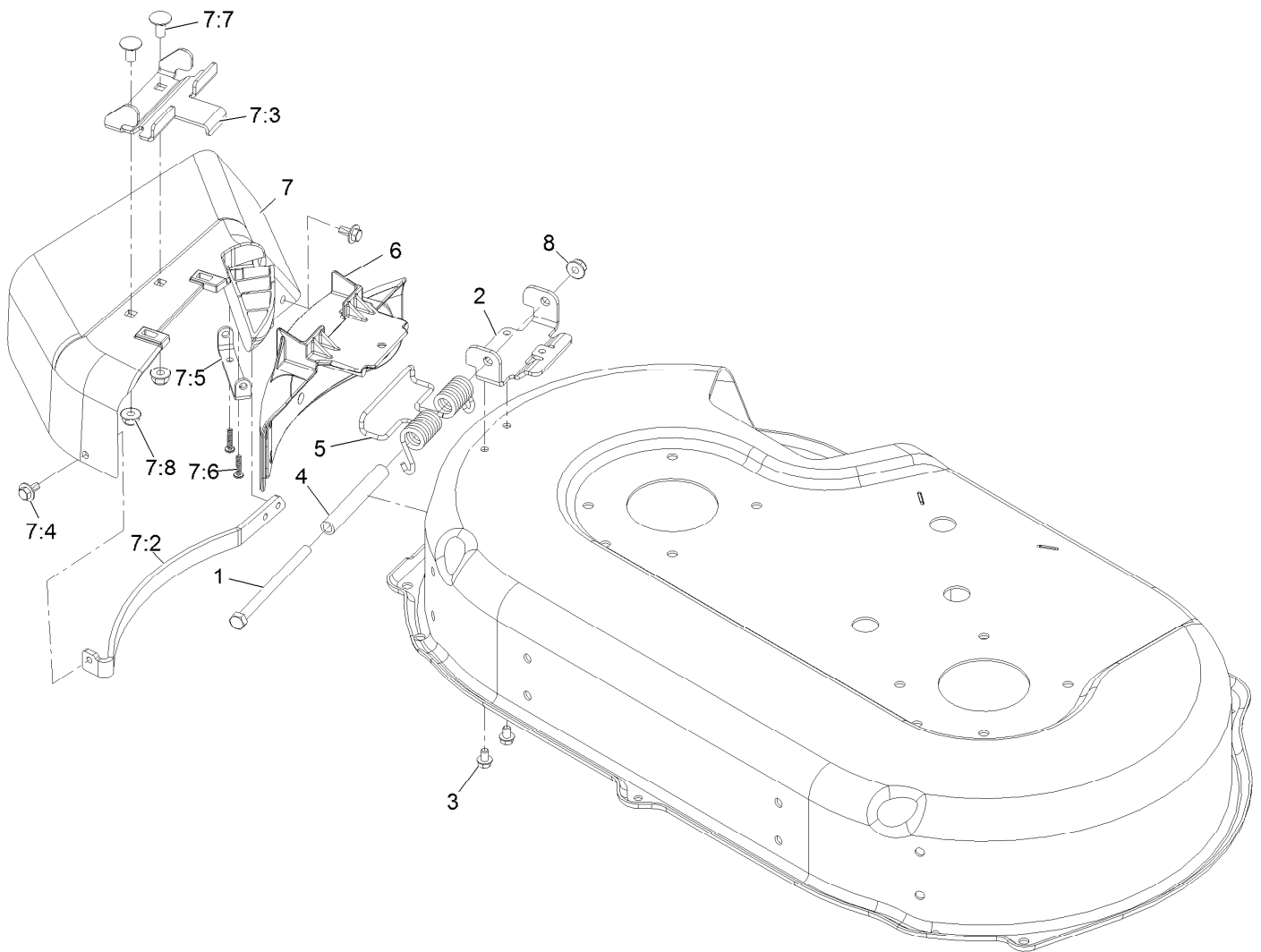
Deck W/Decals

| <i>Ref.</i> | <i>Part Number</i> | <i>Qty.</i> | <i>Description</i> |
|-------------|--------------------|-------------|----------------------|
| 2 | 93-7009 | 1 | Decal-Danger |
| 3 | 94-8072 | 1 | Decal-Danger |
| 4 | 116-7581 | 1 | Decal-Warning |
| 5 | 116-8527 | 1 | Decal-Commercial 30 |
| 6 | 116-8528 | 1 | Decal |
| 7 | 120-9570 | 2 | Decal-Warning |
| 8 | 121-1449 | 1 | Decal-Warning, Block |



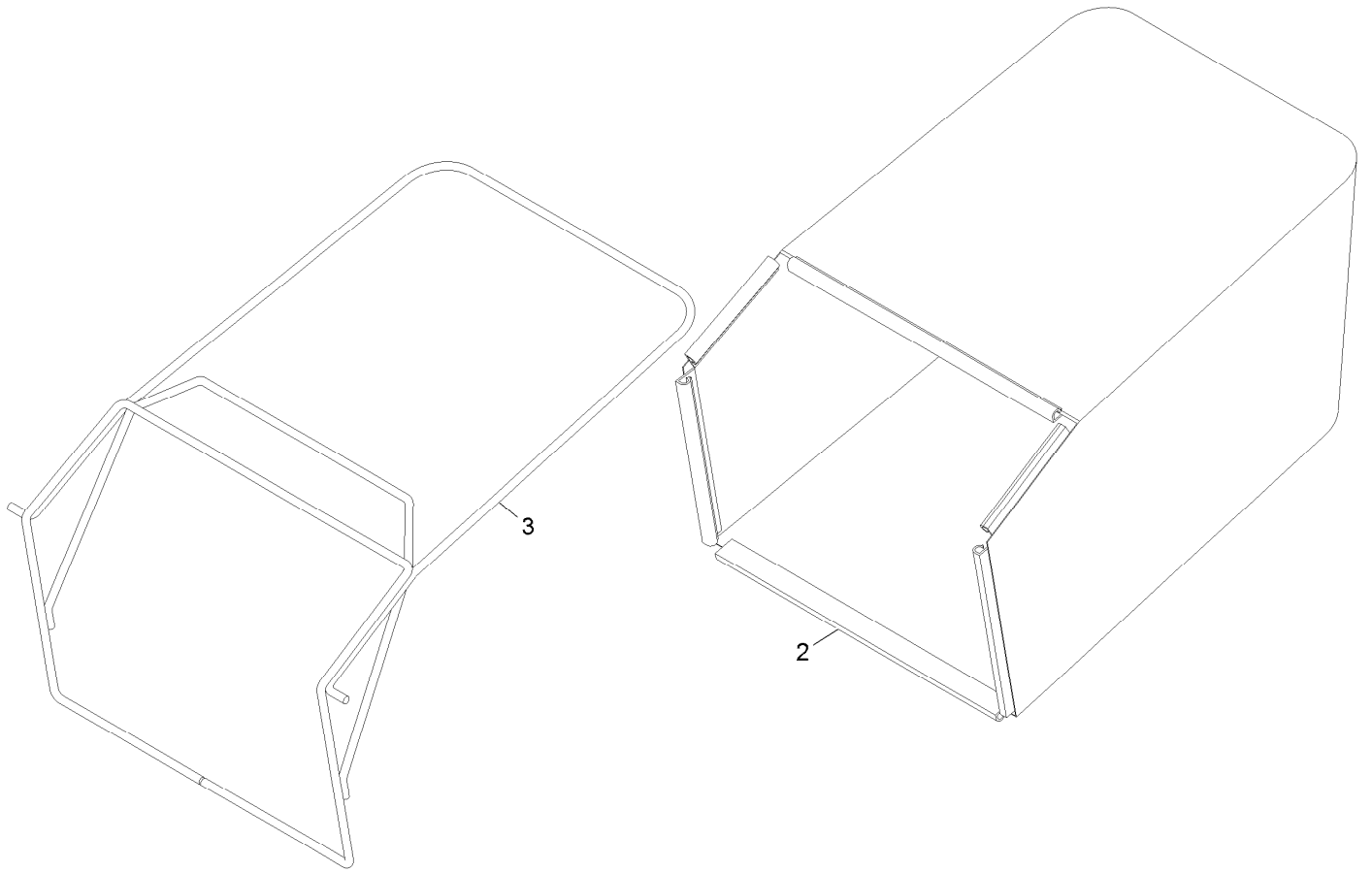
Spindle and Blade Assembly

| Ref. | Part Number | Qty. | Description | Ref. | Part Number | Qty. | Description |
|------|-------------|------|--------------------------|------|-------------|------|---------------------------|
| 1 | 120-6234 | 2 | Spindle ASM | 17:2 | 131-4504 | 2 | Bore Adapter-Loose Fit |
| 2 | 32144-57 | 9 | Screw | 17:3 | 125-2533 | 2 | Plug-Cap |
| 3 | 120-5234 | 1 | Shaft-Spindle | 18 | 120-3348 | 1 | Bracket-Idler |
| 4 | 120-5235 | 1 | Shaft-Spindle | 19 | 120-7024 | 2 | Screw-Shoulder, HHF |
| 5 | 121-9100 | 2 | Sprocket | 20 | 120-3335 | 1 | Belt-Synchronous |
| 6 | 130-6664 | 1 | Pulley-Brake, Spindle | 21 | 120-5245-03 | 1 | Guide-Belt, Spindle |
| 7 | 109-9505 | 2 | Washer, Spring Disc 1/2 | 22 | 120-5236 | 2 | Adapter-Blade |
| 8 | 3296-19 | 2 | Nut-Nyloc 1/2-20 | 23 | 121-5808 | 1 | Spring-Extension, Brake |
| 9 | 322-13 | 1 | Screw-HH 5/16-18 X 2 3/4 | 24 | 125-2466 | 2 | Bolt-Blade |
| 10 | 121-5796 | 1 | Brake Arm ASM | 25 | 49-2040 | 2 | Screw-HWH 1/4-20 X 3/4 Tf |
| 11 | 5-4460 | 2 | Washer-Pivot | 26 | 120-7082 | 1 | Pulley-Idler |
| 12 | 131-0819 | 2 | Bushing-Sleeve | 27 | 322-6 | 1 | Screw-HH 5/16-18 X 1 1/4 |
| 13 | 9114524 | 1 | Bolt-TAP, HH | 28 | 3296-47 | 1 | Nut-Nyloc 5/16-18 Thin |
| 14 | 3256-3 | 4 | Washer-5/16 Std | 29 | 116-6358-03 | 2 | Blade-Rotary |
| 15 | 322-7 | 1 | Screw-HH 5/16-18 X 1 1/2 | 30 | 121-2336 | 1 | Spring-Flat |
| 16 | 3296-29 | 3 | Nut-Nyloc 5/16-18 | 31 | 131-0823 | 1 | Spacer-Brake |
| 17 | 131-4529 | 2 | Kit-Pulley | | | | |



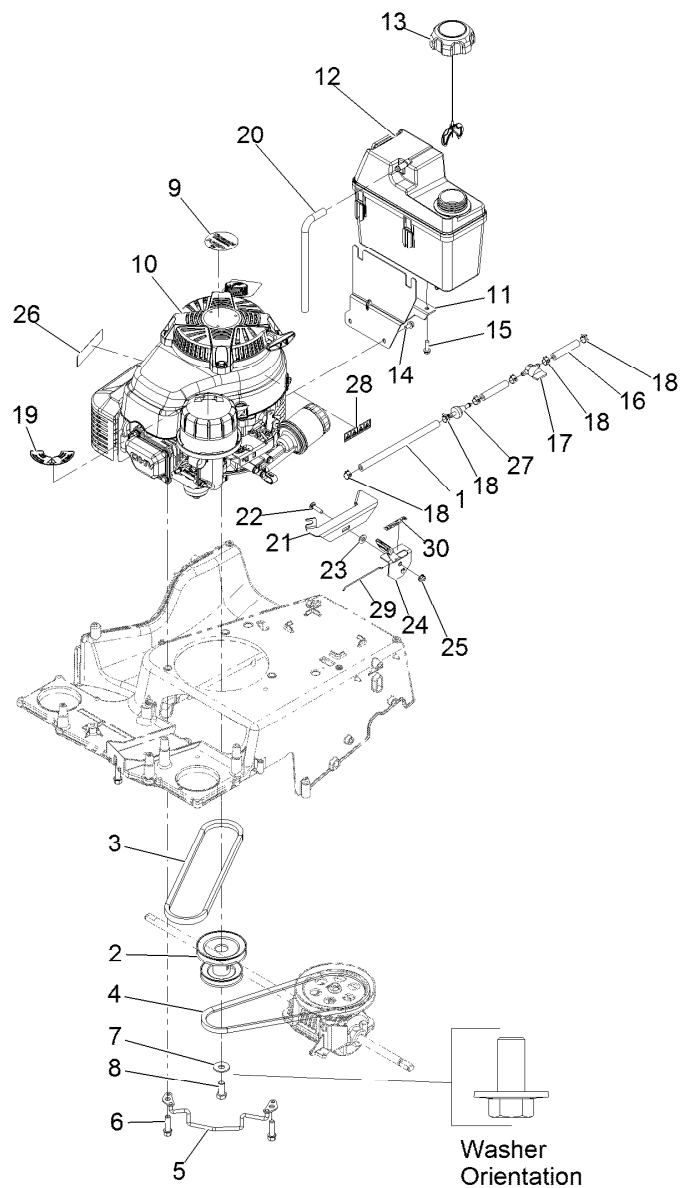
Side Discharge Chute Assembly

| Ref. | Part Number | Qty. | Description |
|------|-------------|------|--------------------------------|
| 1 | 322-38 | 1 | Screw-HH 5/16-18 X 4 1/2 |
| 2 | 121-9195 | 1 | Hinge |
| 3 | 99-8445 | 2 | Screw-HWH 1/4-20 X 3/8 Taptite |
| 4 | 125-2478 | 1 | Spacer |
| 5 | 121-9193 | 1 | Spring-Torsion |
| 6 | 125-5093-01 | 1 | Cover-Discharge |
| 7 | 116-9754 | 1 | Side Discharge Chute ASM |
| 7:2 | 116-9752-03 | 1 | Guard-Chute |
| 7:3 | 121-9196 | 1 | Bracket-Chute |
| 7:4 | 46-8560 | 2 | Screw-HHF 1/4-20 X 1/2 |
| 7:5 | 112-6416 | 1 | Bracket-Cover |
| 7:6 | 94-4496 | 2 | Screw-PPH |
| 7:7 | 3230-18 | 2 | Bolt-Carriage 5/16-18 X 5/8 |
| 7:8 | 104-8300 | 2 | Nut-Nyloc 5/16-18 Flg |
| 8 | 104-8300 | 1 | Nut-Nyloc 5/16-18 Flg |



Bag Assembly

| <i>Ref.</i> | <i>Part Number</i> | <i>Qty.</i> | <i>Description</i> |
|-------------|--------------------|-------------|--------------------|
| 2 | 116-6350 | 1 | Bag-Grass |
| 3 | 116-5596-03 | 1 | Frame-Bag |

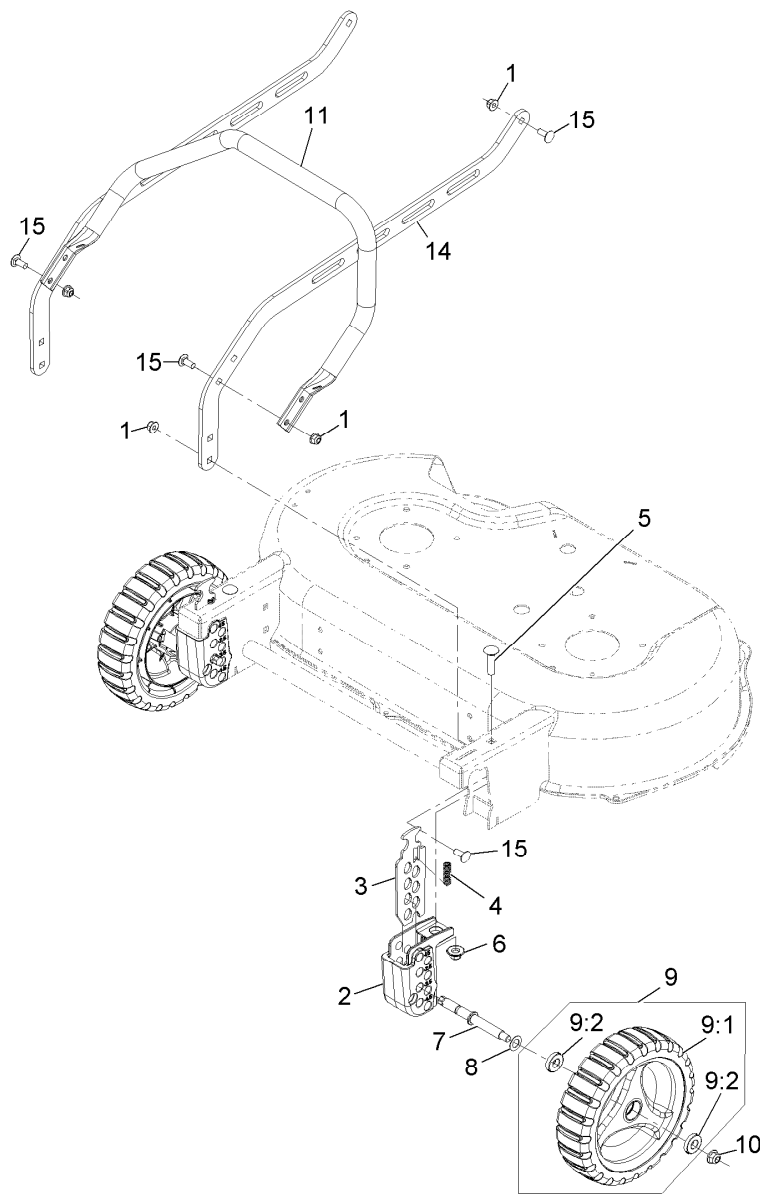


Engine and Fuel Assembly

| Ref. | Part Number | Qty. | Description | Ref. | Part Number | Qty. | Description |
|------|-------------|------|----------------------------------|------|-------------|------|--------------------------|
| 1 | 119-1892 | 1 | Hose-Fuel | 16 | 109-0304 | 2 | Hose-Fuel Line 2 1/2" |
| 2 | 116-7013 | 1 | Pulley-Engine | 17 | 1-603770 | 1 | Valve-Fuel |
| 3 | 121-5765 | 1 | V-Belt | 18 | 2412-98 | 6 | Clamp-Hose |
| 4 | 116-7116 | 1 | Belt | 19 | 130-6402 | 1 | Decal-Air Cleaner, Kai |
| 5 | 120-7077 | 1 | Guide-Belt | 20 | 115-0962 | 1 | Hose-Vent, Canister |
| 6 | 95-1727 | 3 | Screw-HWH 3/8-16 X 1 1/4 Taptite | 21 | 130-6440-03 | 1 | Bracket-Mount, Throttle |
| 7 | 3290-465 | 1 | Washer-Spring Disc | 22 | 3229-30 | 1 | Bolt-Carriage 1/4-20 X 1 |
| 8 | 3212-4 | 1 | Screw-HH 7/16-20 X 1 | 23 | 3256-23 | 1 | Washer-5/16 Sae |
| 9 | 109-6528 | 1 | Decal-Recoil | 24 | 130-9655 | 1 | Control-Throttle |
| 10 | | 1 | Engine-Kawasaki Fj180V ●■ | 25 | 104-7201 | 1 | Nut-Nyloc 1/4-20 Flg |
| 11 | 115-0954-03 | 1 | Tank Mount ASM | 26 | 117-2718 | 1 | Decal-Arrester, Spark |
| 12 | 125-5066 | 1 | Tank ASM | 27 | 71-9280 | 1 | Filter-Fuel |
| 13 | 109-6776 | 1 | Cap-Ratchet, Tethered | 28 | 116-9313 | 1 | Decal-Warning, Engine |
| 14 | 116-8929 | 3 | Screw-HWH | 29 | 130-9654 | 1 | Wire-Control |
| 15 | 46-8091 | 2 | Screw-HWH 1/4-10 X .82 Plastite | 30 | 130-9656 | 1 | Decal-Throttle, Choke |

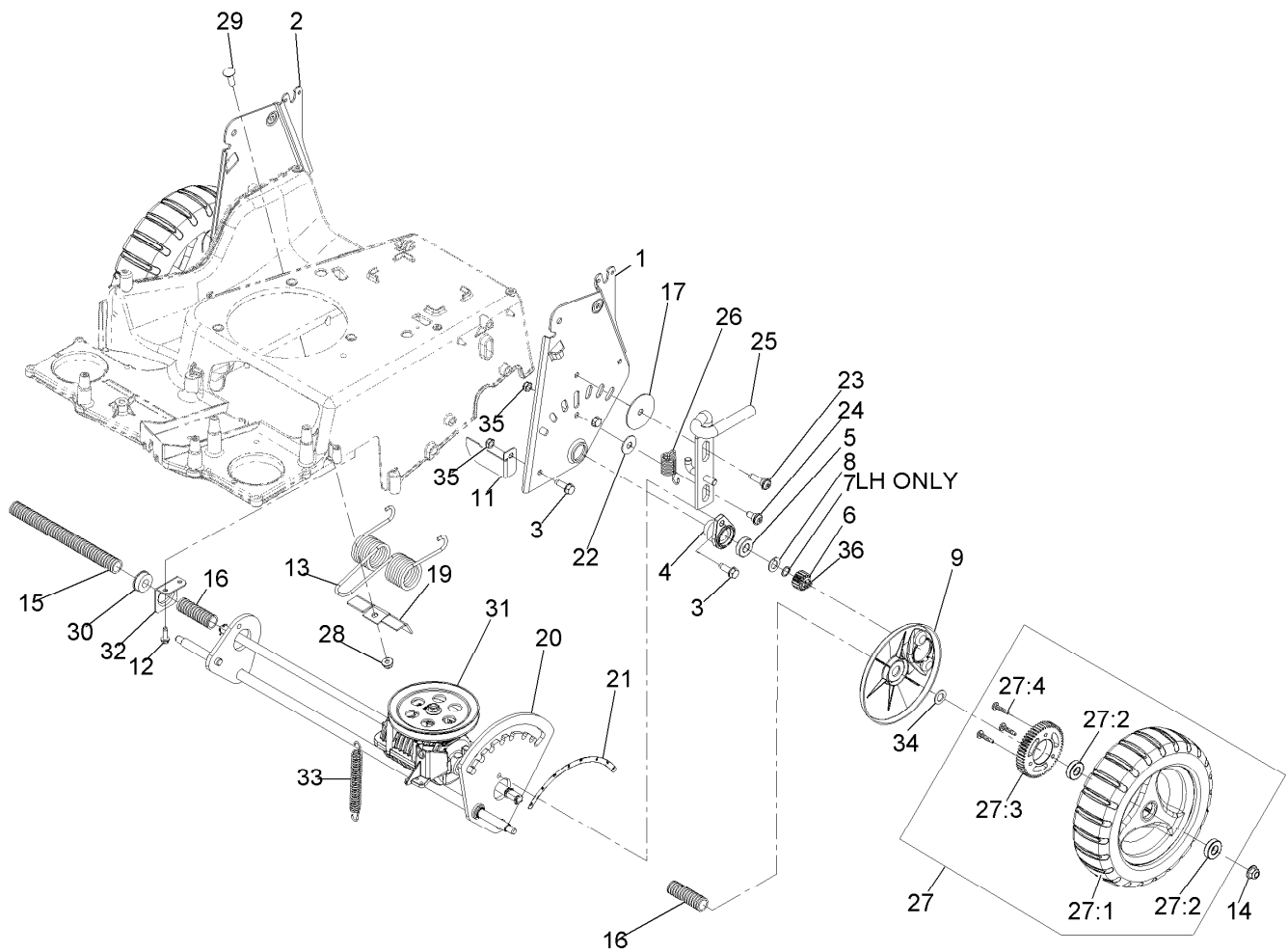
● Not serviced separately

■ Obtain parts from www.kawpowerpc.com



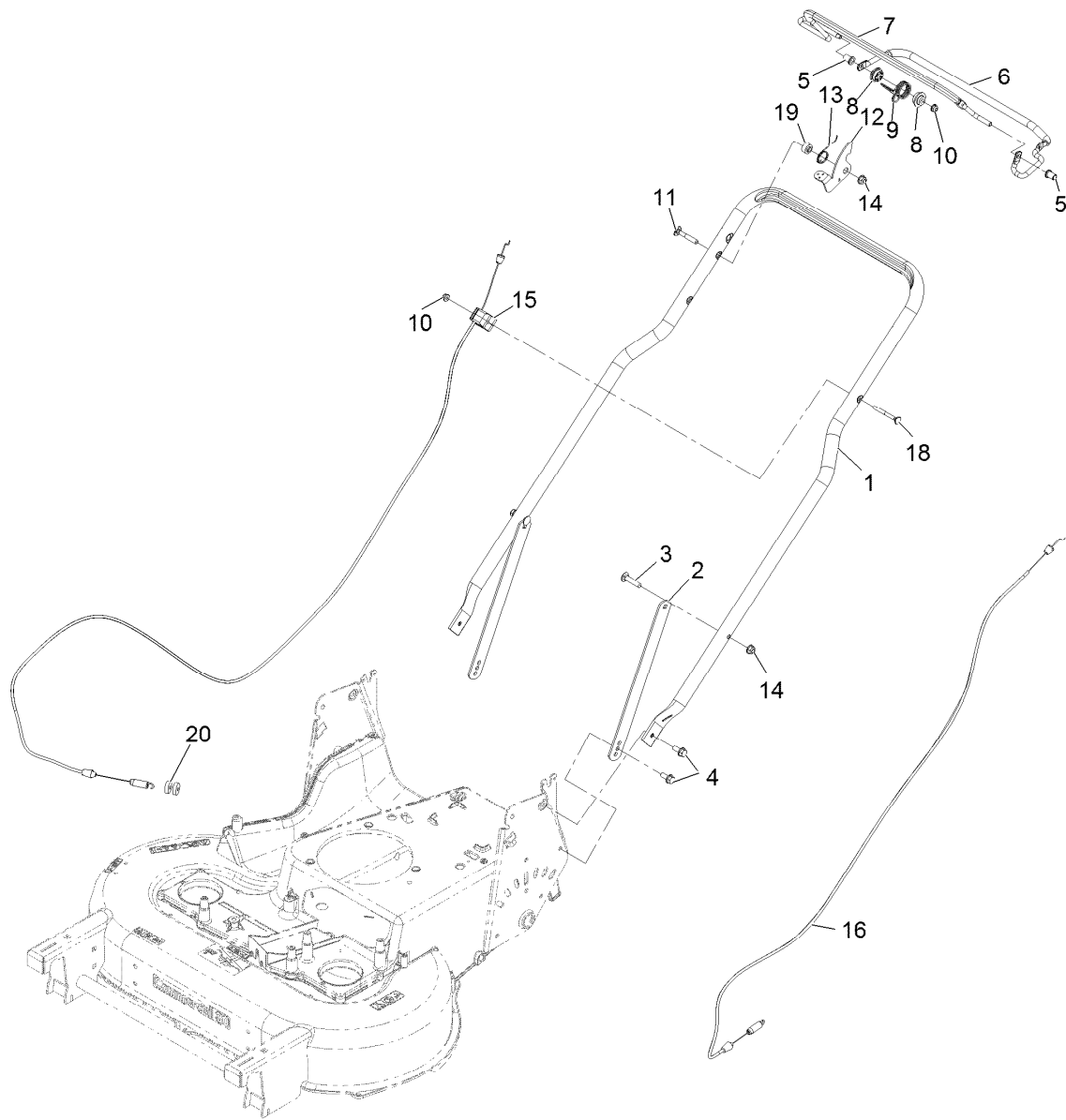
Front Bumper and Wheel Assembly

| Ref. | Part Number | Qty. | Description |
|------|-------------|------|--|
| 1 | 104-8300 | 10 | Nut-Nyloc 5/16-18 Flg |
| 2 | 116-6357 | 2 | Block-Front Quadrant |
| 3 | 109-9292 | 2 | Plate, Front Height |
| 4 | 109-7258 | 2 | Spring-Compression |
| 5 | 3231-26 | 2 | Bolt-Carriage 3/8-16 X 1 1/2 |
| 6 | 109-6658 | 2 | Nut-Nyloc 3/8-16 Flg |
| 7 | 116-0994 | 2 | Axle-Wheel |
| 8 | 36-4780 | 2 | Washer |
| 9 | 109-8016 | 2 | Wheel And Tire ASM |
| 9:1 | 109-8033 | 1 | 9-Inch Wheel ASM |
| 9:2 | 109-8020 | 2 | Bearing-Ball |
| 10 | 104-8301 | 2 | Nut-Nyloc 3/8-16 Flg |
| 11 | 116-7675-03 | 1 | Guard-Engine |
| 14 | 116-7661-03 | 2 | Brace-RH |
| 15 | 3230-23 | 10 | Bolt-Carriage 5/16-18 X 3/4 Short Neck |



Deck and Wheel Assembly

| Ref. | Part Number | Qty. | Description | Ref. | Part Number | Qty. | Description |
|------|-------------|------|---------------------------|------|-------------|------|---------------------------|
| 1 | 121-2394-03 | 1 | LH HOC Plate ASM | 22 | 52-2860 | 1 | Washer |
| 2 | 121-2395-03 | 1 | RH HOC Plate ASM | 23 | 119-2267 | 1 | Screw-Shoulder, BHTF |
| 3 | 701243 | 7 | Screw-HWHTF | 24 | 120-9471 | 1 | Bolt-Shoulder |
| 4 | 120-5210 | 2 | Retainer-Bearing | 25 | 120-7090 | 1 | Lock-Height, Adjust |
| 5 | 109-8020 | 2 | Bearing-Ball | 26 | 120-9452 | 1 | Spring-Extension |
| 6 | 110-9417 | 2 | Gear-Pinion, 15T | 27 | 116-5291 | 2 | 10-Inch Rear Wheel |
| 7 | 32151-61 | 1 | Ring-Retaining | 27:1 | 116-5292 | 1 | ASM-Wheel 10" |
| 8 | 110-7191 | 2 | Washer-Thrust | 27:2 | 109-8020 | 2 | Bearing-Ball |
| 9 | 116-6352 | 2 | Cover-Gear | 27:3 | 109-7264 | 1 | Gear |
| 11 | 121-5821 | 1 | Bracket-Stop | 27:4 | 27-6260 | 3 | Screw-Drive |
| 12 | 49-2040 | 2 | Screw-HWH 1/4-20 X 3/4 Tf | 28 | 104-8300 | 1 | Nut-Nyloc 5/16-18 Flg |
| 13 | 121-2368 | 1 | Spring-Torsion | 29 | 3230-2 | 1 | Bolt-Carriage 5/16-18 X 1 |
| 14 | 104-8301 | 2 | Nut-Nyloc 3/8-16 Flg | 30 | 104-8699 | 1 | Bearing-Ball |
| 15 | 121-5799 | 1 | Conduit-Convolved | 31 | 131-9667 | 1 | Transmission Kit |
| 16 | 121-5800 | 2 | Conduit-Convolved | 32 | 120-7008 | 1 | Mount-Bearing |
| 17 | 125-2540 | 1 | Washer-Plain | 33 | 120-7027 | 1 | Spring-Extension |
| 19 | 121-2397 | 1 | Bracket | 34 | 36-4780 | 2 | Washer |
| 20 | 131-4516 | 1 | Axle-Rear | 35 | 3296-47 | 2 | Nut-Nyloc 5/16-18 Thin |
| 21 | 116-7127 | 1 | Decal-HOC, Rear | 36 | 130-2369 | 2 | Pin-Snap |



Handle Assembly

| Ref. | Part Number | Qty. | Description | Ref. | Part Number | Qty. | Description |
|------|-------------|------|-------------------------------|------|-------------|------|---------------------------|
| 1 | 120-7086-03 | 1 | Handle | 11 | 112-8876 | 1 | Bolt-Carriage 5/16-18 X 2 |
| 2 | 116-8208-03 | 2 | Support-Handle | 12 | 116-2998 | 1 | Lever-BBC |
| 3 | 3230-4 | 2 | Bolt-Carriage 5/16-18 X 1 1/2 | 13 | 109-9318 | 1 | Spring-Lever, BBC |
| 4 | 116-7230 | 4 | Screw-HHF | 14 | 104-8300 | 3 | Nut-Nyloc 5/16-18 Flg |
| 5 | 116-1478 | 2 | Bushing-Handlebar | 15 | 126-0491 | 1 | Kit-Cable, BBC |
| 6 | 116-7907 | 1 | Bail-Drive Coated | 16 | 126-1664 | 1 | Cable-Traction |
| 7 | 109-8442 | 1 | Bail | 18 | 92-2270 | 1 | Screw-Handle |
| 8 | 109-8457 | 2 | Bushing-Spring, Pivot | 19 | 116-2690 | 1 | Bushing-Stepped |
| 9 | 116-5594 | 1 | Spring-Return, BBC | 20 | 1-323417 | 2 | Washer |
| 10 | 104-7201 | 2 | Nut-Nyloc 1/4-20 Flg | 99 | 614249 | 3 | Tie-Cable ● |

● Not illustrated

Notes:

Notes:

EXMARK® MAINTENANCE

MAXIMIZE THE PERFORMANCE OF YOUR EXMARK.

4-CYCLE PREMIUM ENGINE OIL

Part No. 116-3373

Both SAE 30 and SAE 10W-30 in one bottle.

Contains increased levels of zinc and phosphorus for better lubricity.

No Viscosity Index Improvers that tend to shear down in high heat.

Synthetic formulation.

Gas & Diesel compatible.

Anti-corrosion additives.

API 'SL' and JASO rated with wet clutch compatibility for other machines.

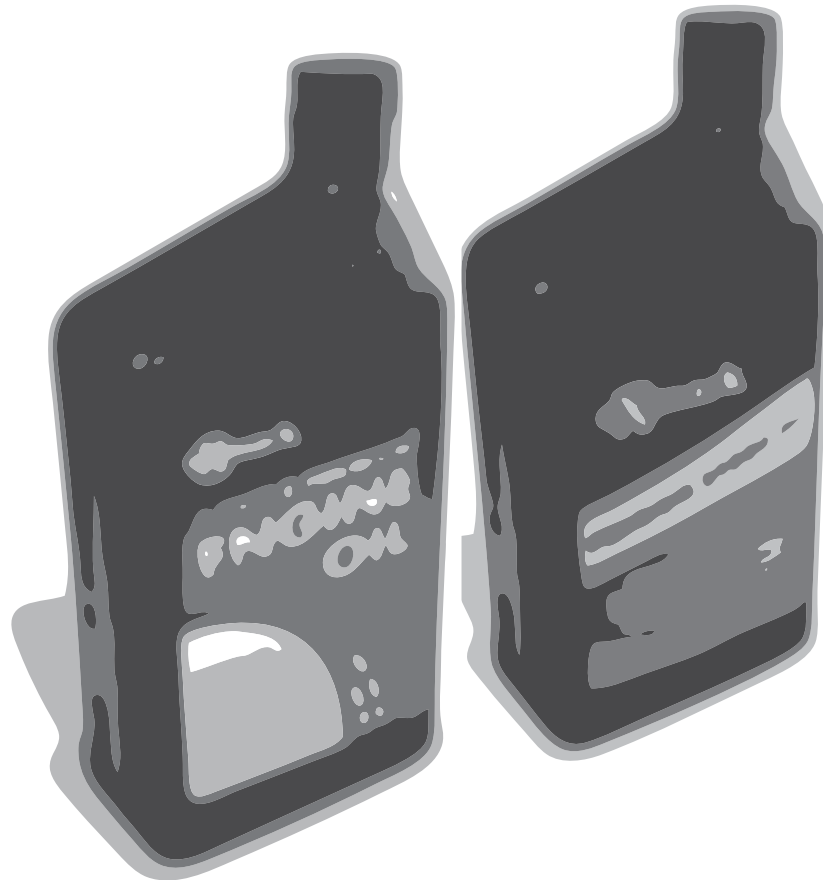
PREMIUM HYDRO OIL

Part No. 109-9828

Commercial quality for tough, high-heat conditions.

Designed specifically for zero-turn mower hydraulic systems.

Superior shear resistance under heavy loads.



Available from your local Exmark dealer. Find your closest dealer at exmark.com

EXMARK ACCESSORIES AND OPTIONS*

MID-MOUNT RIDING ACCESSORIES AND OPTIONS

| | |
|------------------------------------|---------------------------------|
| CUSTOM RIDE SEAT SUSPENSION SYSTEM | OPERATOR CONTROLLED DISCHARGE |
| FULL SUSPENSION SEAT | SUN SHADE |
| DECK LIFT ASSIST KIT | TRASH CONTAINER |
| HITCH KIT | TURF STRIPER |
| LIGHT KIT | ULTRA VAC COLLECTION SYSTEM |
| 12V POWER PORT | ULTRA VAC QUICK DISPOSAL SYSTEM |
| MICRO-MULCH SYSTEM | |

OUT-FRONT RIDING ACCESSORIES AND OPTIONS

| | |
|------------------------------------|---------------------------------|
| CUSTOM RIDE SEAT SUSPENSION SYSTEM | SNOW BLADE |
| DUAL-TAIL WHEEL | SNOWBLOWER |
| FLOOR PAN EXTENDER | SUN SHADE |
| HITCH KIT | TRASH CONTAINER |
| LIGHT KIT | ULTRA VAC COLLECTION SYSTEM |
| MICRO-MULCH SYSTEM | ULTRA VAC QUICK DISPOSAL SYSTEM |
| ROLL OVER PROTECTION SYSTEM (ROPS) | WEATHER CAB |

WALK-BEHIND ACCESSORIES AND OPTIONS

| | |
|--------------------|--------------|
| GRASS CATCHER | TURF STRIPER |
| MICRO-MULCH SYSTEM | STANDON |

*Some accessories and options not available for some models.

Place Model No. and Serial No.
Label Here (Included in the Literature
Pack) or Fill in Below

Model No. _____

Serial No. _____

Date Purchased _____

Engine Model No. and Spec. No. _____

Engine Serial No. (E/No) _____

© 2015 Exmark Mfg. Co., Inc.
Industrial Park Box 808
Beatrice, NE 68310
All Rights Reserved

Part No. 4502-164 Rev. A
(402) 223-6300
Fax (402) 223-5489
Printed in the USA.

