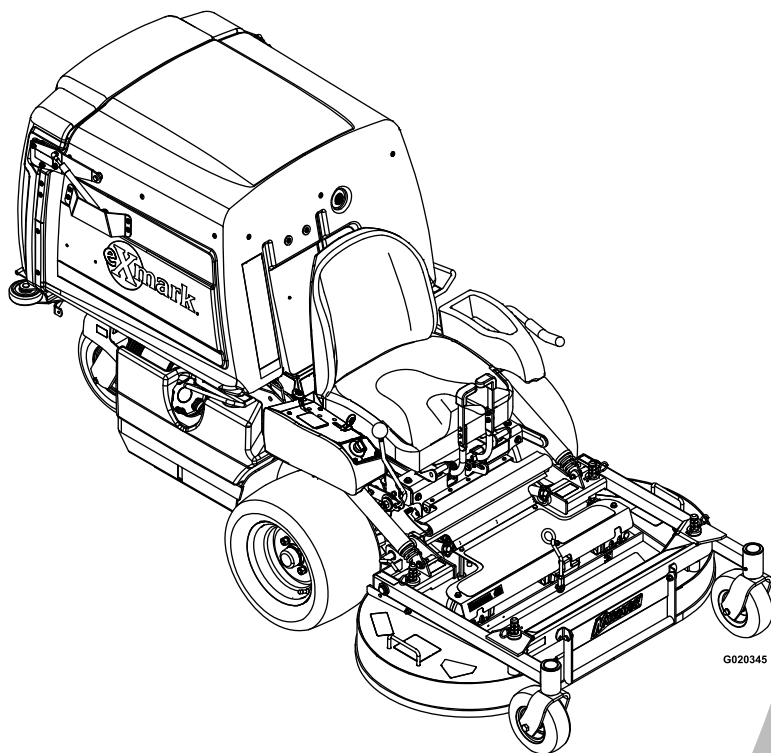




NAVIGATOR®

Model No. NVS640CKC48000—Serial No. 31500000 and Up

Picture below may not reflect actual product.



Parts Manual

Ordering Replacement Parts

To order replacement parts, please supply the part number, the quantity, and the description of each part desired.

Understanding Reference Numbers

Each identified part in an illustration has a reference number. The reference number for a part also appears in the parts list, along with other information about the part.

This catalog uses two special reference number formats, one to indicate parts in a service assembly and another to indicate the quantity of a given part in an illustration.

Service Assembly Reference Numbers

Parts in service assemblies have reference numbers in the form a:b. The a represents the reference number of the entire service assembly and the b represents a sequential number unique to each part within the service assembly.

For example, a wheel assembly might be identified by reference number 6, the tire by 6:1, the valve by 6:2, and the wheel by 6:3. When you order the assembly identified by reference number 6, you receive all parts identified by reference numbers 6:1, 6:2, and 6:3. However, you may also order any part individually. Reference numbers of this type appear in illustration and in parts lists.

Reference Numbers Indicating Quantity

In an illustration, if a reference number indicates more than one part, the reference number has the form nX y. The n represents the quantity of the part, the X is the multiplication symbol, and the y represents the reference number.

For example, in an illustration, the reference number 2X 37 means that two of the parts identified by reference number 37 are indicated.

List of Abbreviations

AR: as required	HLH: hex lag head	PTH: phillips truss head
ASM: assembly	HOC: height-of-cut	PTO: power-take-off
BBC: blade brake control	HP: high pressure	RH: right hand
BHTF: button head thread forming	HSBH: hex socket button head	ROPS: roll-over protection system
CARR: carriage	HSFH: hex socket flat head	RRB: rear roller brush
CCW: counter clockwise	HSH: hex socket head	SFH: slotted fillister head
CW: clockwise	HWH: hex washer head	SHH: slotted hex head
DEG: degrees	HWHTF: hex washer head thread forming	SHWH: slotted hex washer head
DPA: Dual Point Adjustment	HYD: hydraulic	SPH: slotted pan head
ECM: electronic control module	LH: left hand	SQH: square head
EXT: external	LP: low pressure	SRH: slotted round head
FH: flat head	LPG: Liquefied Petroleum Gas	STD: standard
GA: gauge	NI: nylon insert	TAP: self tapping
HD: heavy-duty	NPTF: national pipe thread fine	TTH: torx truss head
HF: hex flange	PFH: phillips flat head	
HH: hex head	PPH: phillips pan head	
HHF: hex head flange	PPHTF: phillips pan head thread forming	
HHFTF: hex head flange thread forming	PRH: phillips round head	
HJ: hex jam		

Touch Up Paint

Exmark black touch up spray paint – gloss black.

Exmark red touch up paint (spray paint – P/N 1-850337 - .6 oz liquid bottle – P/N 103-9140).

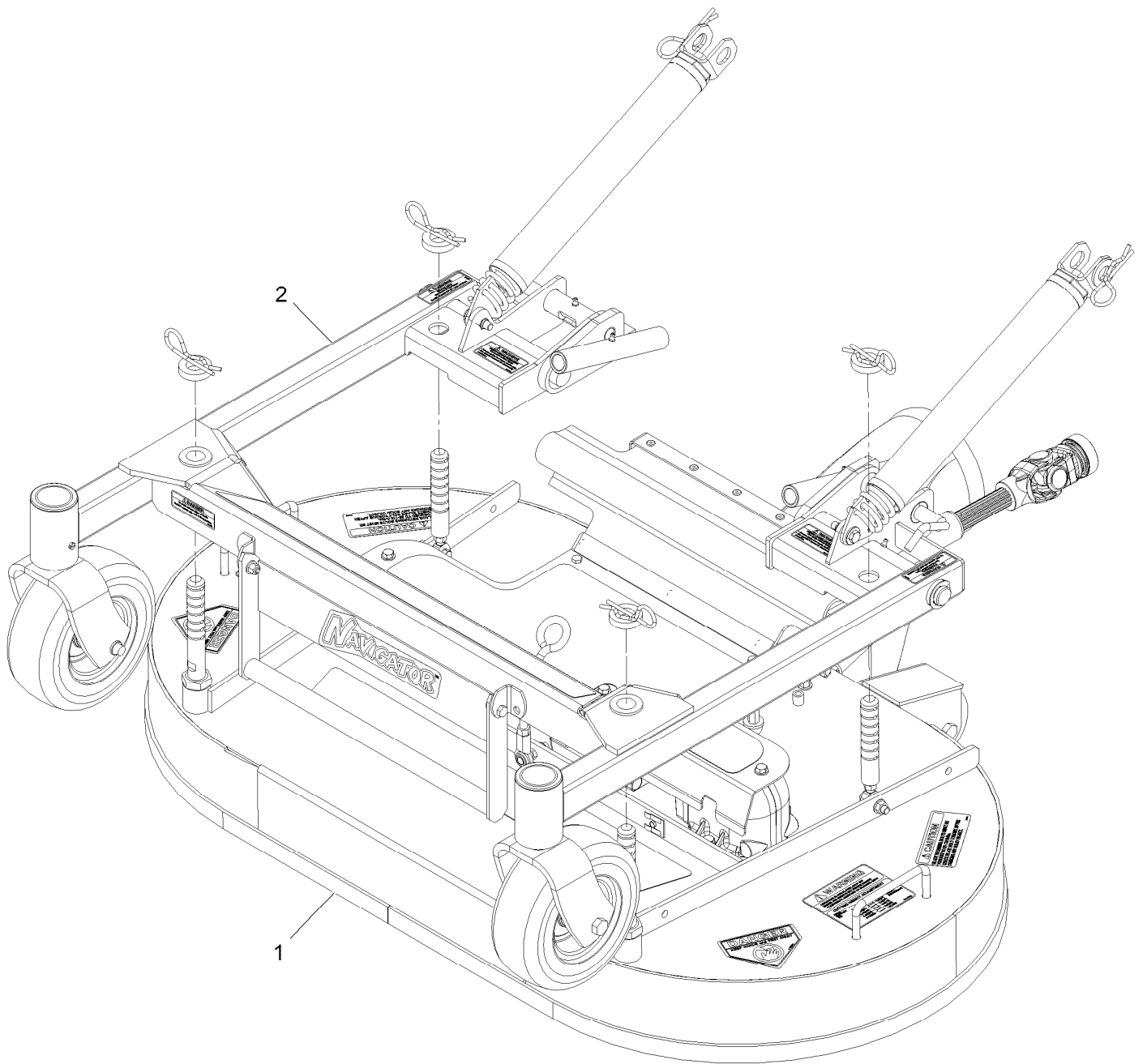


If your Exmark dealer does not have the Exmark part in stock, Exmark will get the parts to the dealer the next business day or the part will be FREE Guaranteed!! (Some restrictions apply. See your participating Exmark Dealer for details.)

Contents

Complete Deck and Support Frame Assembly	4
Deck Assembly	6
Deck Decal Assembly No. 109-4372	8
Discharge Tube Assembly No. 103-9487	10
Gearbox Assembly No. 103-3387	12
Rear Deck Height Adjustment Assembly No. 109-0323	14
Deck Support Frame Assembly	16
Deck Support W/Decals Assembly No. 103-9480	18
Spring Lift Assist Assembly No. 116-7851	20
Main Frame Assembly	22
Parking Brake Assembly	24
Speed Control Assembly	26
Fuel Assembly	28
Seat and Consoles Assembly	30
Blower Mounting Assembly	32
Blower Assembly No. 116-9649	34
Idler Assembly No. 103-7349	36
Hopper Assembly	38
Hopper Assembly No. 103-9457	40
Hopper Screen Assembly No. 109-0717	42
Fill Sensor Assembly No. 103-9466	44
Drive Assembly	46
Engine, Muffler and Air Cleaner Assembly	48
Hydraulic Assembly	50
Hydraulic Pump Assembly No. 116-7836	52
Electrical Assembly	54
Hopper Switch Actuator Assembly No. 103-8528	56

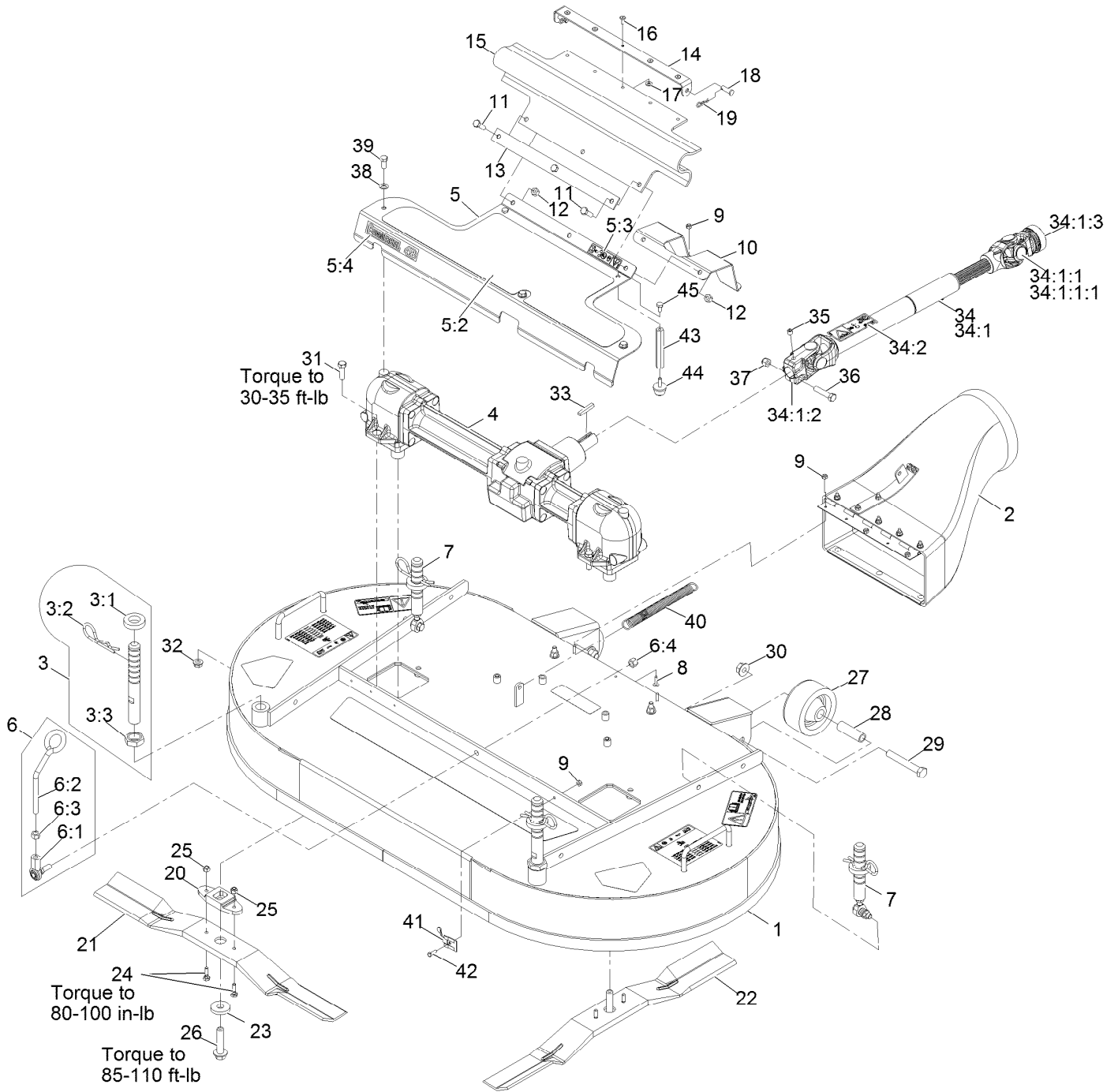
Complete Deck and Support Frame Assembly



Complete Deck and Support Frame Assembly (continued)

<i>Ref.</i>	<i>Part Number</i>	<i>Qty.</i>	<i>Description</i>
1	116-7833	1	Deck ASM
2	116-7841	1	Deck Support Frame ASM

Deck Assembly

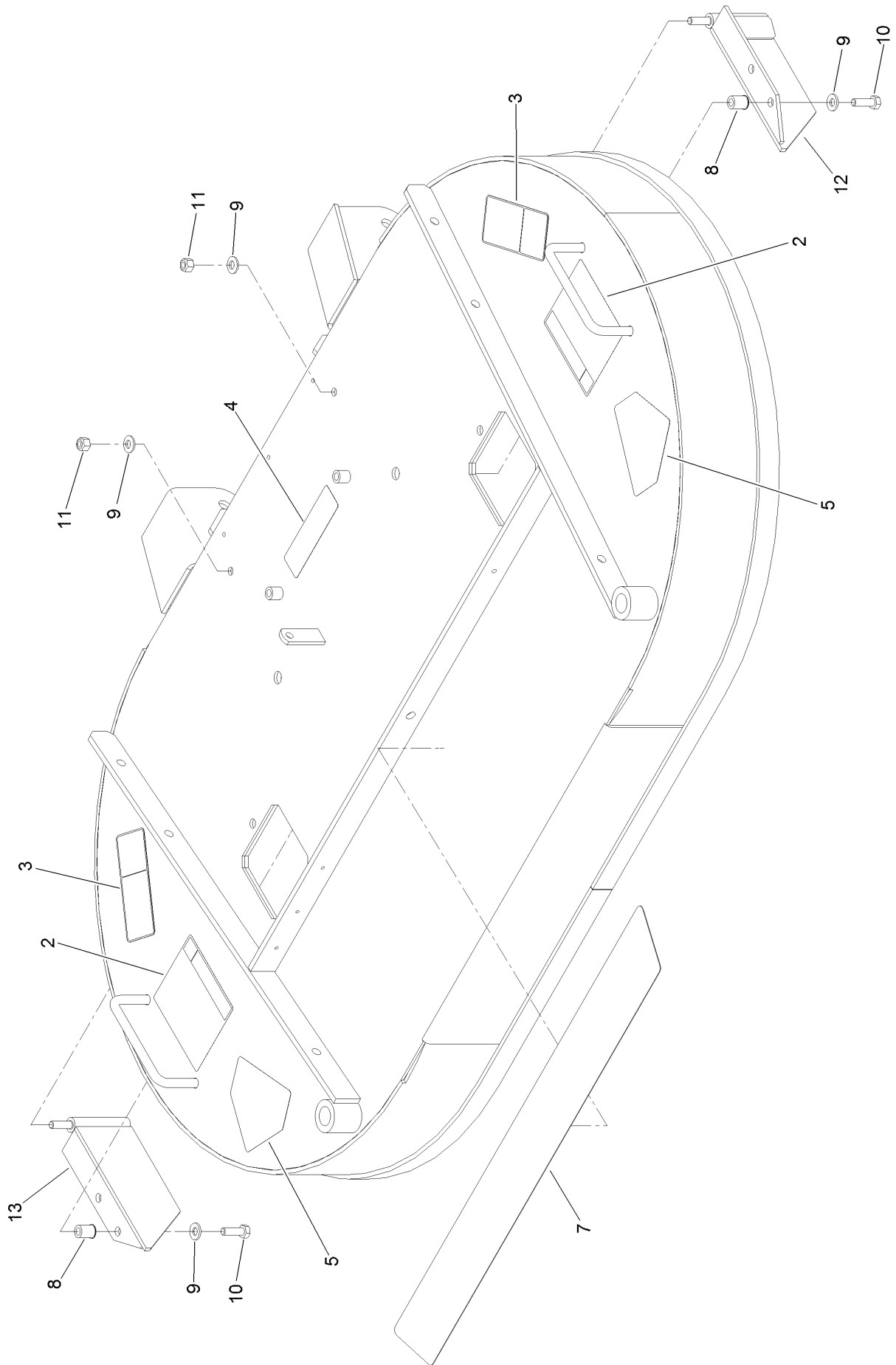


Deck Assembly (continued)

<i>Ref.</i>	<i>Part Number</i>	<i>Qty.</i>	<i>Description</i>	<i>Ref.</i>	<i>Part Number</i>	<i>Qty.</i>	<i>Description</i>
1	109-4372	1	Deck Decal And Baffle ASM	21	103-4208	1	Blade, RH (48") Red
2	103-9487	1	Discharge Tube ASM	22	103-4207	1	Blade, LH (48") Black
3	109-0321	2	Front Deck Height Adjust ASM	23	30-8770	2	Washer
3:1	1-413425	1	Spacer-Deck Support	24	99-0283	4	Bolt-Shear 1/4-20 X 7/8
3:2	103-7353	1	Pin-Cut Height	25	3296-42	4	Nut-Nyloc 1/4-20
3:3	103-8496	1	Nut-Jam 7/8-9	26	92-5816	2	Bolt-Blade 1/2-20 X 2 1/4
4	103-3387	1	Gear Box ASM	27	103-3700	2	Roller-Deck
5	103-9496	1	Asm, Gearbox Cover W/Decal (48")	28	103-4230	2	Spacer-Roller
5:2	103-8629	1	Pad-Anti Skid	29	325-14	2	Screw-HH 1/2-13 X 3 1/2
5:3	119-0217	1	Decal-Danger	30	32128-49	2	Nut-Whizlock 1/2-13
5:4	1-403131	1	Decal, Commercial 48	31	323-7	4	Screw-HH 3/8-16 X 1 1/4
6	103-8363	1	Deck Latch ASM	32	3290-357	4	Nut-Whizlock 3/8-16
6:1	103-7994	1	Balljoint	33	67-7490	1	Key-Machine 1/4 X 1/4 X 1 1/2
6:2	103-8307	1	Latch-Deck	34	103-9485	1	Drive Shaft ASM
6:3	3219-3	1	Nut-Hex 3/8-24	34:1		1	Drive Shaft-Telescoping ●
6:4	3296-6	1	Nut-Nyloc 3/8-24	34:1:1	54-9180	2	U-Joint Kit
7	109-0323	2	Rear Deck Height Adjust ASM	34:1:1:1	62-3820	1	Fitting-Grease
8	1-803075	3	Screw-Truss Head #10-24 X 3/4	34:1:2	103-9328	1	Yoke-Keyed
9	3296-2	6	Nut-Nyloc #10-24	34:1:3	103-9329	1	Yoke-Quick Disconnect
10	116-7843-01	1	Guard-Drive Shaft	34:2	116-9049	1	Decal-Danger Driveline
11	322-5	3	Screw-HH 5/16-18 X 1	35	3247-2	1	Setscrew-3/8-16 X 3/8
12	3296-29	3	Nut-Nyloc 5/16-18	36	323-9	1	Screw-HH 3/8-16 X 1 3/4
13	103-6290-03	1	Strap-Drive, Line Cover	37	3296-39	1	Nut-Nyloc 3/8-16
14	103-6183-03	1	Bracket-Guard, PTO	38	3256-23	3	Washer-5/16 Sae
15	103-5979	1	Guard-PTO	39	322-3	3	Screw-HH 5/16-18 X 3/4
16	114439	5	Rivet	40	103-8841	1	Spring-Extension
17	3256-14	5	Washer-#10 Std	41	1-513690	1	Clip-Deck, Hold Up Rod
18	1-808280	2	Pin-Clevis 5/16 X 1 49/64	42	3290-134	1	Screw-HH Machine 10-24 X 5/8
19	1-806003	2	Hairpin-Cotter	43	103-8610	2	Stand-Off
20	103-7705	2	Driver-Blade	44	1-523420	2	Bumper
				45	321-2	2	Screw-HH 1/4-20 X 1/2

● Not serviced separately

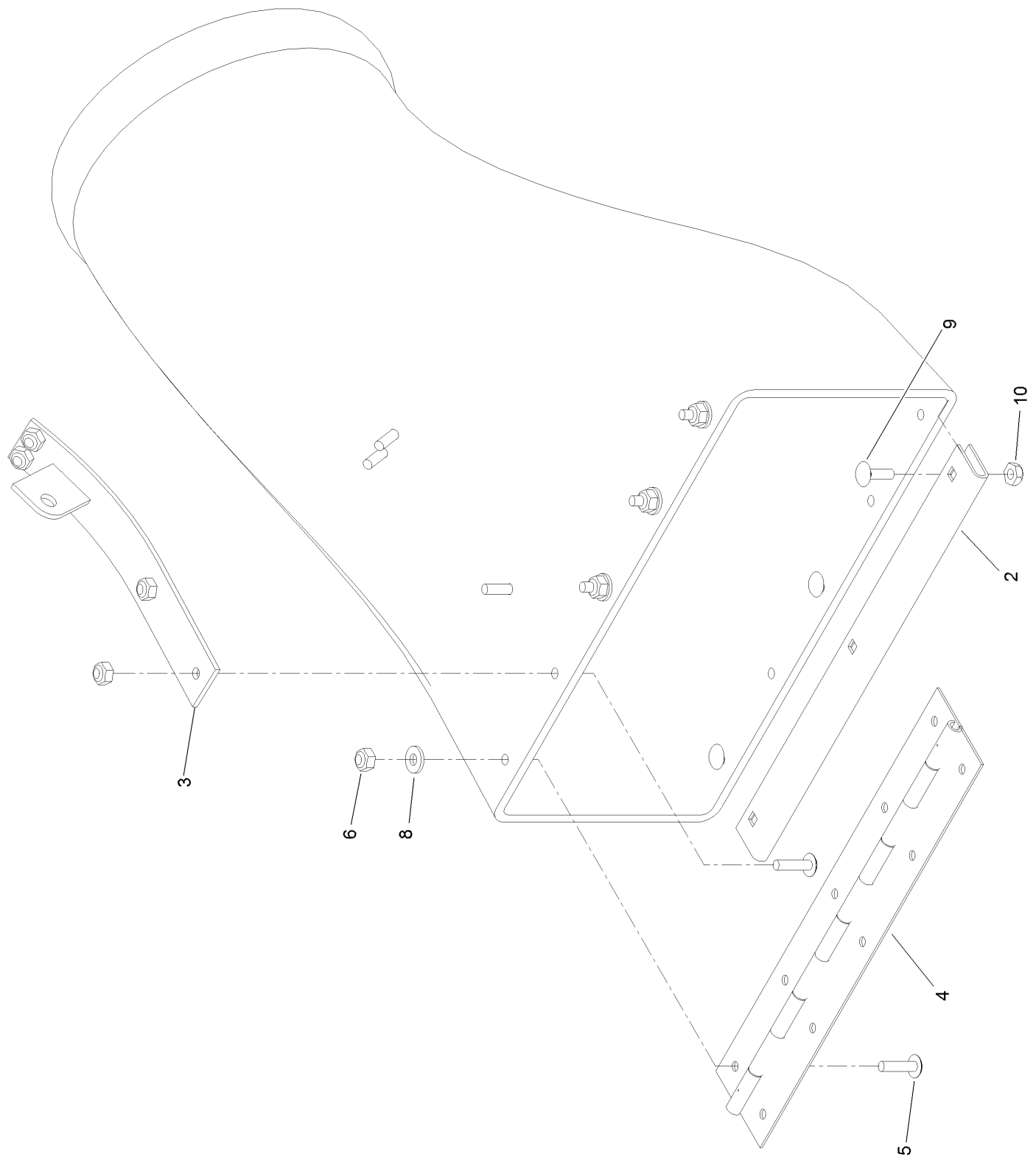
Deck Decal Assembly No. 109-4372



Deck Decal Assembly No. 109-4372 (continued)

<i>Ref.</i>	<i>Part Number</i>	<i>Qty.</i>	<i>Description</i>	<i>Ref.</i>	<i>Part Number</i>	<i>Qty.</i>	<i>Description</i>
2	116-8934	2	Decal-Cutting Height Adj	9	1-303334	4	Washer-Spring
3	93-7818	2	Decal-Torque, Blade Bolt	10	322-5	2	Screw-HH
4	112-9028	1	Decal-Cover Missing	11	3296-29	2	Nut-Lock, NI
5	112-8760	2	Decal-Danger	12	109-4053-01	1	Baffle-LH
7	103-8630	1	Pad-Anti Skid	13	109-4054-01	1	Baffle-RH
8	32148-7	4	Nut-Insert				

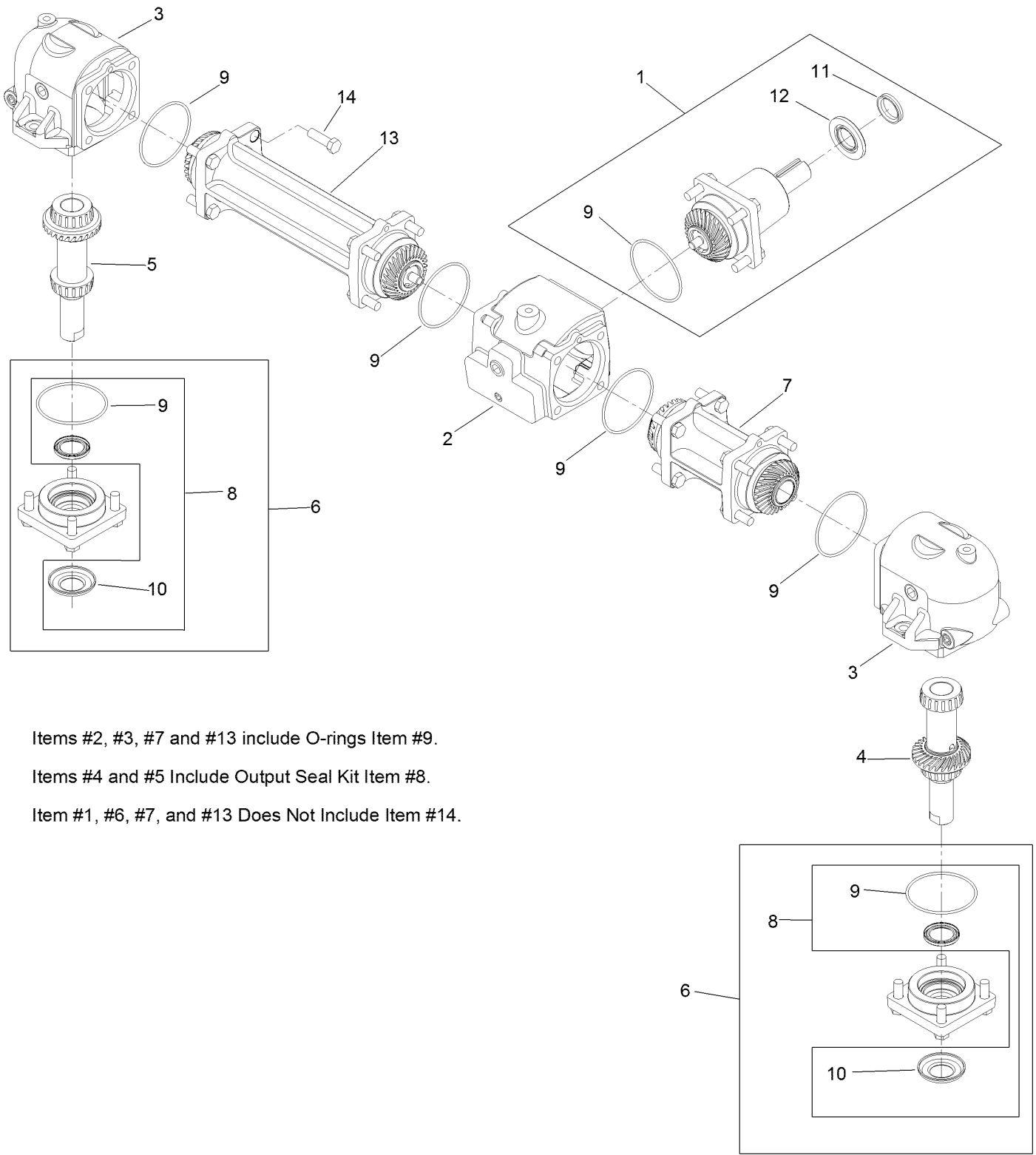
Discharge Tube Assembly No. 103-9487



Discharge Tube Assembly No. 103-9487 (continued)

<i>Ref.</i>	<i>Part Number</i>	<i>Qty.</i>	<i>Description</i>	<i>Ref.</i>	<i>Part Number</i>	<i>Qty.</i>	<i>Description</i>
2	109-2228-03	1	Guard-Plenum	6	3296-2	8	Nut-Lock, NI
3	103-5868-01	1	Mount-Spring	8	3256-14	4	Washer-Flat
4	103-4974	1	Hinge-Piano	9	1-807533	3	Bolt-CARR
5	1-803075	8	Screw-Head, Truss	10	3296-12	3	Nut-Lock, NI

Gearbox Assembly No. 103-3387



Items #2, #3, #7 and #13 include O-rings Item #9.

Items #4 and #5 Include Output Seal Kit Item #8.

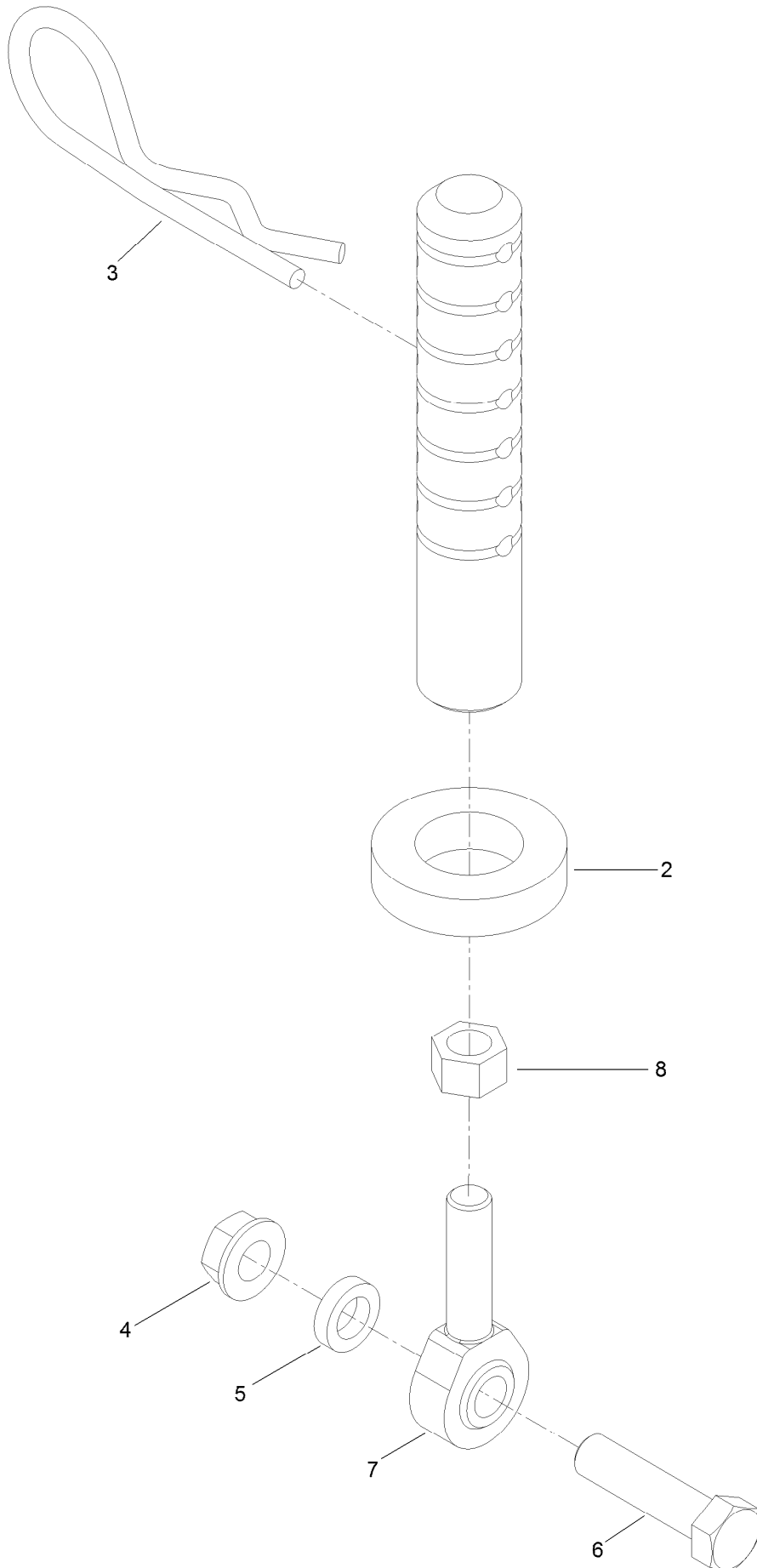
Item #1, #6, #7, and #13 Does Not Include Item #14.

Gearbox Assembly No. 103-3387 (continued)

<i>Ref.</i>	<i>Part Number</i>	<i>Qty.</i>	<i>Description</i>	<i>Ref.</i>	<i>Part Number</i>	<i>Qty.</i>	<i>Description</i>
1	109-0189	1	Pinion-Input	8	109-0201	1	Output Seal Kit
2	109-0190	1	Housing-Center	9	109-0203	1	Seal-O-Ring
3	109-0191	1	Housing-End	10	109-0204	1	Washer-Cupped
4	109-0193	1	Output Shaft And Gear-LH	11	109-0205	1	Seal-V-Ring ●
5	109-0195	1	Output Shaft And Gear-RH	12	109-0202	1	Seal-Input ●
6	109-0196	1	Cap-Output	13	109-0200	1	Connector-Tube, Long
7	109-0198	1	Tube-Connector, Shor	14	93-3987	28	Bolt-Blade

● Apply bead of Mobil HTS grease (P/N 103-5217 1.5 oz packet) (or a food-grade anti-seize) between input seal and v-ring.

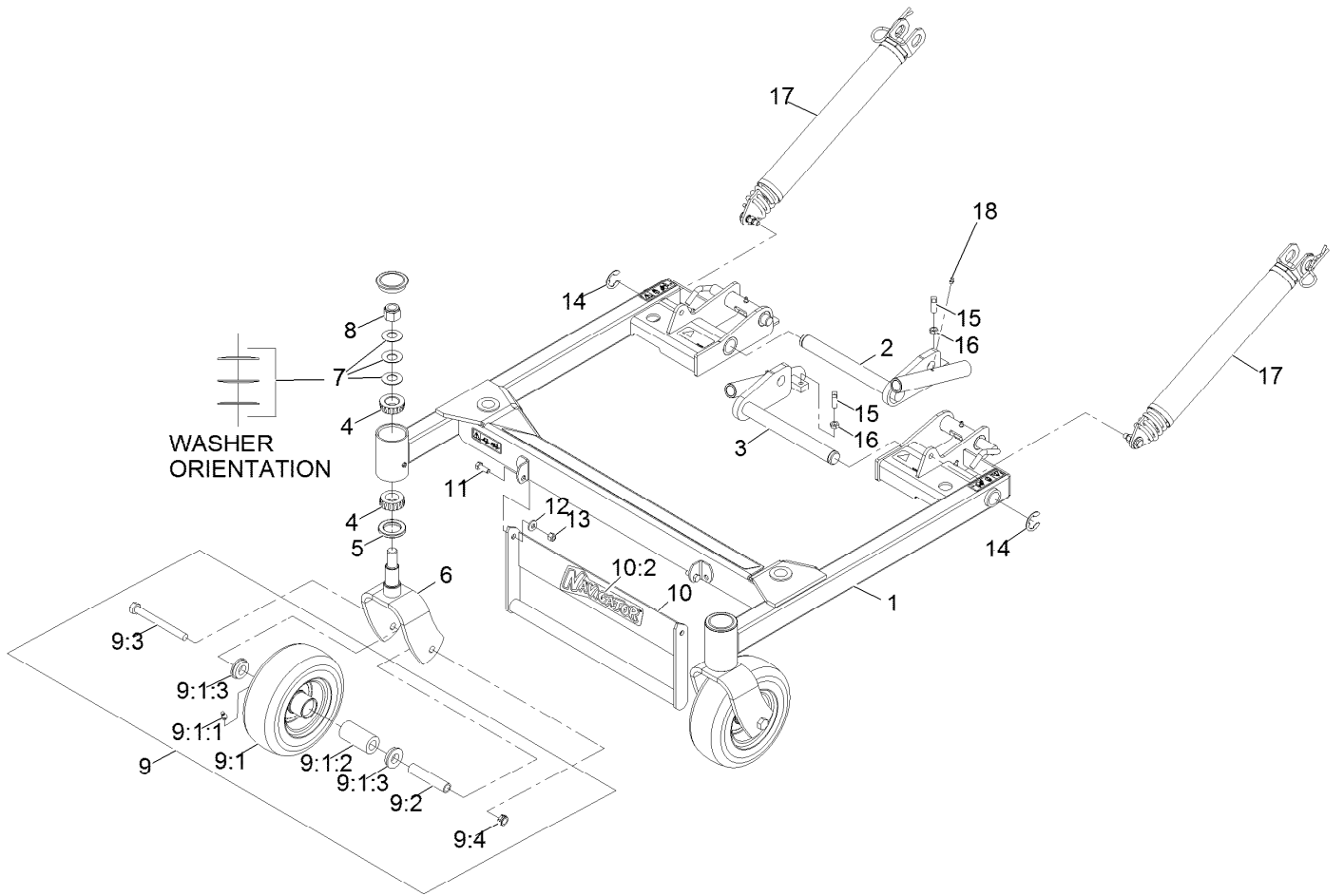
Rear Deck Height Adjustment Assembly No. 109-0323



Rear Deck Height Adjustment Assembly No. 109-0323 (continued)

<i>Ref.</i>	<i>Part Number</i>	<i>Qty.</i>	<i>Description</i>	<i>Ref.</i>	<i>Part Number</i>	<i>Qty.</i>	<i>Description</i>
2	1-413425	1	Spacer-Deck Support	6	323-8	1	Screw-HH
3	103-7353	1	Pin-Cut Height	7	1-613204	1	Balljoint
4	3290-357	1	Nut-HHF, Whiz	8	3220-3	1	Nut-HJ
5	106-5597	1	Spacer-Idler				

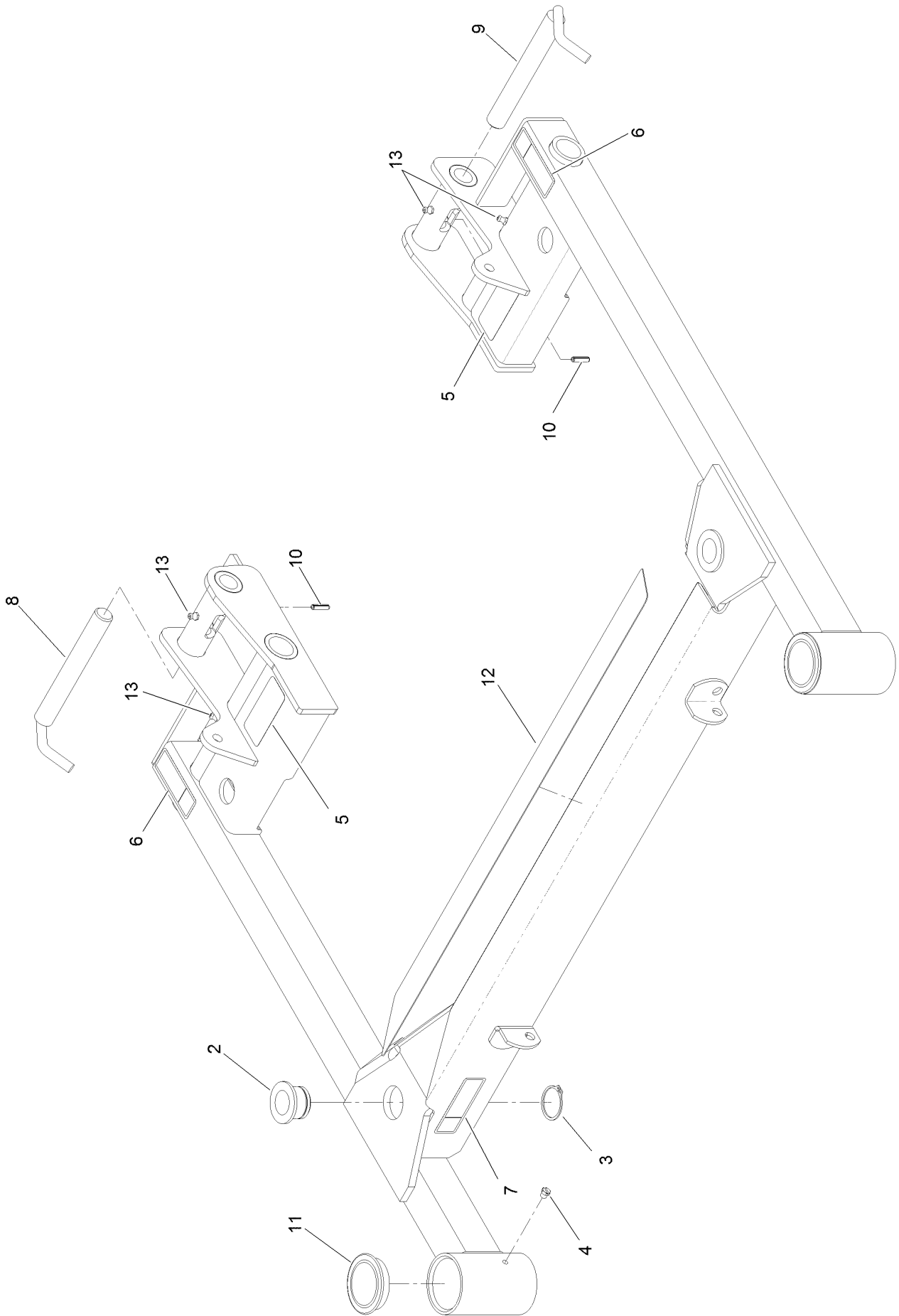
Deck Support Frame Assembly



Deck Support Frame Assembly (continued)

<i>Ref.</i>	<i>Part Number</i>	<i>Qty.</i>	<i>Description</i>	<i>Ref.</i>	<i>Part Number</i>	<i>Qty.</i>	<i>Description</i>
1	103-9480	1	Deck Support ASM	9:2	109-2094	1	Spacer-Caster, Front
2	103-3729-01	1	Pivot-Deck, RH	9:3	325-19	1	Screw-HH 1/2-13 X 5
3	103-3732-01	1	Pivot-Deck, LH	9:4	3296-45	1	Nut-Nyloc 1/2-13 Thin
4	1-543509	4	Cone-Bearing Tapered Roller	10	103-9482	1	Asm, Deck Lift Handle W/Decal
5	1-543511	2	Seal-Grease	10:2	103-8504	1	Decal, Navigator Model
6	109-1933-01	2	Fork-Caster	11	322-4	2	Screw-HH 5/16-18 X 7/8
7	1-633508	6	Washer-Spring Disc	12	1-303334	2	Washer-Spring Disc 5/16
8	3296-51	2	Nut-Nyloc 3/4-10	13	3296-29	2	Nut-Nyloc 5/16-18
9	103-9495	2	Asm, Caster Wheel W/Axle	14	1-808519	2	Ring-Snap
9:1	103-4324	1	Asm, Wheel And Tire 8X3.00-4 Sp	15	3243-5	2	Setscrew-SQH 3/8-16 X 1
9:1:1	302-61	1	Zerk-45° 1/4-28	16	3218-3	2	Nut-Jam 3/8-16
9:1:2	103-4588	1	Bearing-Roller, Straight	17	116-7851	2	Lift Assist Spring ASM
9:1:3	1-513810	2	Bushing-Flanged	18	302-19	2	Zerk-1/4-28 Str

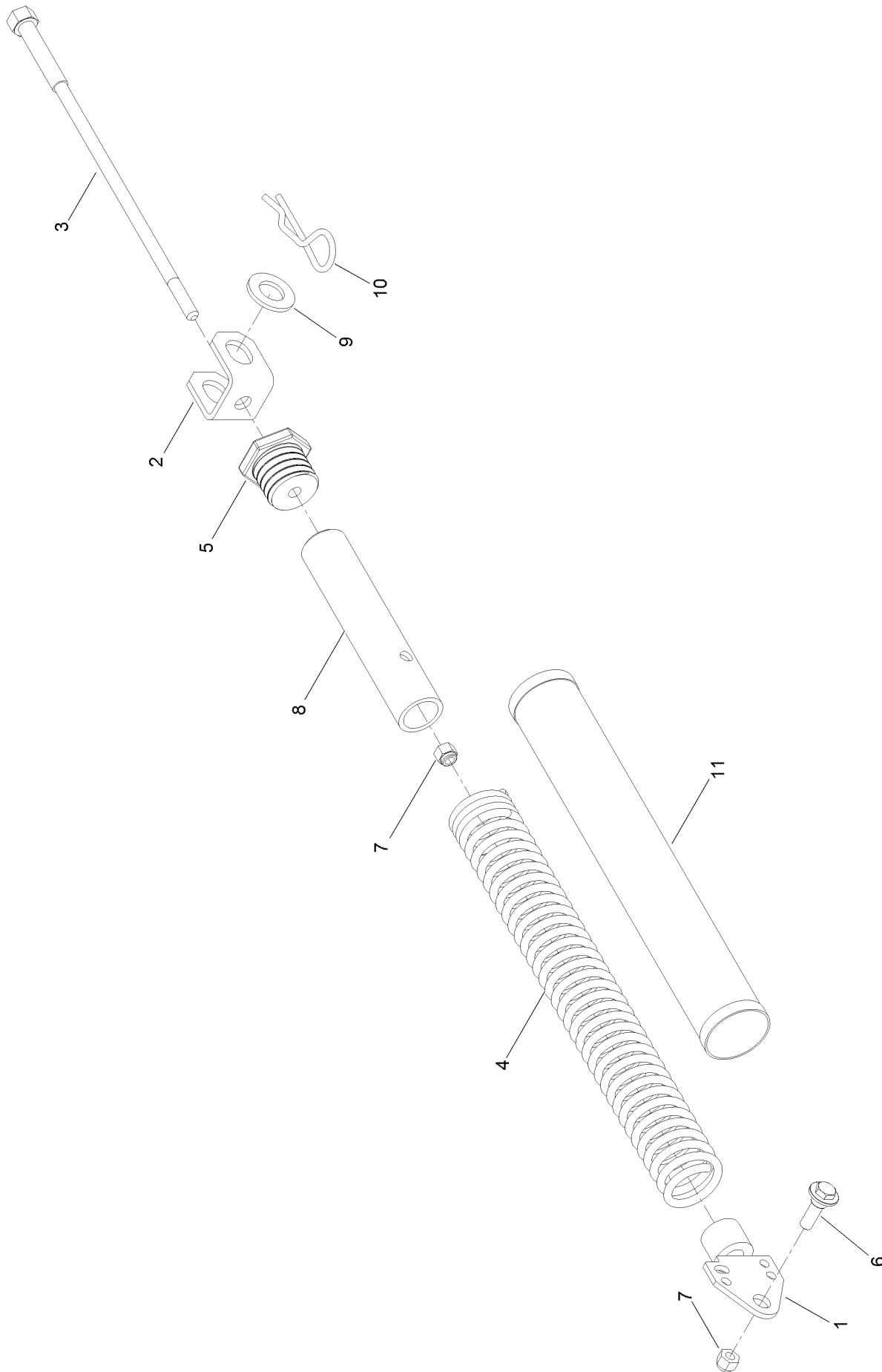
Deck Support W/Decals Assembly No. 103-9480



Deck Support W/Decals Assembly No. 103-9480 (continued)

<i>Ref.</i>	<i>Part Number</i>	<i>Qty.</i>	<i>Description</i>	<i>Ref.</i>	<i>Part Number</i>	<i>Qty.</i>	<i>Description</i>
2	103-7436	2	Bushing-Support, Deck	8	103-4119	1	Lock-Deck, RH
3	32120-33	2	Ring-Retaining	9	103-4118	1	Lock-Deck, LH
4	1-811010	2	Plug	10	32121-3	2	Pin-Spring
5	93-6696	2	Decal-Warning	11	103-4882	2	Cap-Grease
6	116-8935	2	Decal-Warning, Folding Deck	12	103-8630	1	Pad-Anti Skid
7	116-8936	1	Decal-Danger	13	302-19	4	Fitting-Grease

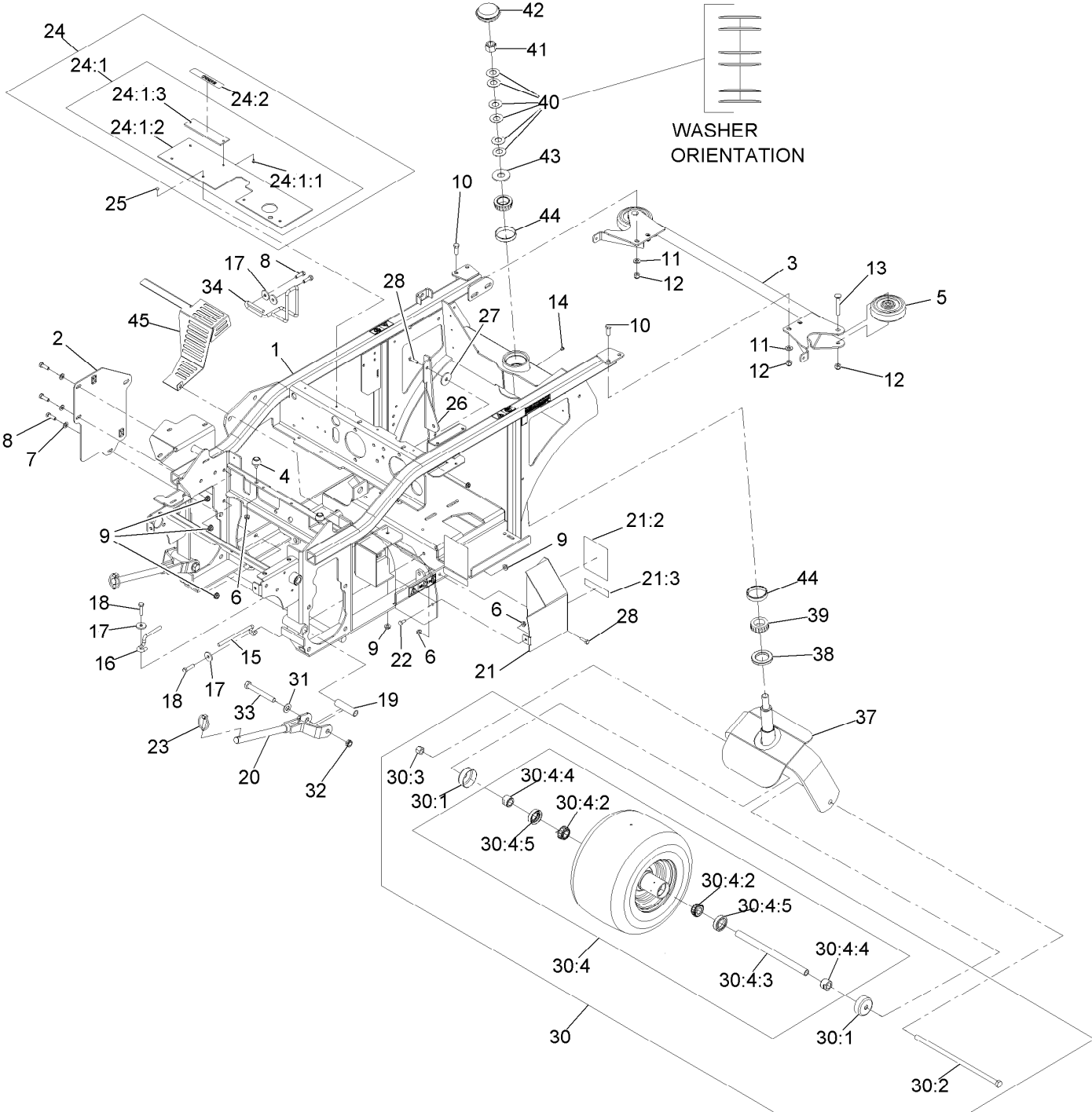
Spring Lift Assist Assembly No. 116-7851



Spring Lift Assist Assembly No. 116-7851 (continued)

<i>Ref.</i>	<i>Part Number</i>	<i>Qty.</i>	<i>Description</i>	<i>Ref.</i>	<i>Part Number</i>	<i>Qty.</i>	<i>Description</i>
1	103-4284	1	Tensioner-Spring	7	3296-39	2	Nut-Lock, NI
2	103-4285	1	Mount-Lift Assist, Deck	8	103-7865	1	Spring-Tube
3	103-3773	1	Shaft-Adjustment, Spring	9	3256-28	1	Washer-Flat
4	103-4281	1	Spring-Extension	10	103-7353	1	Pin-Cut Height
5	103-3772	1	Plug-Adjuster, Spring	11	103-7971	1	Cover-Spring, Deck
6	614672	1	Bolt-Shoulder				

Main Frame Assembly



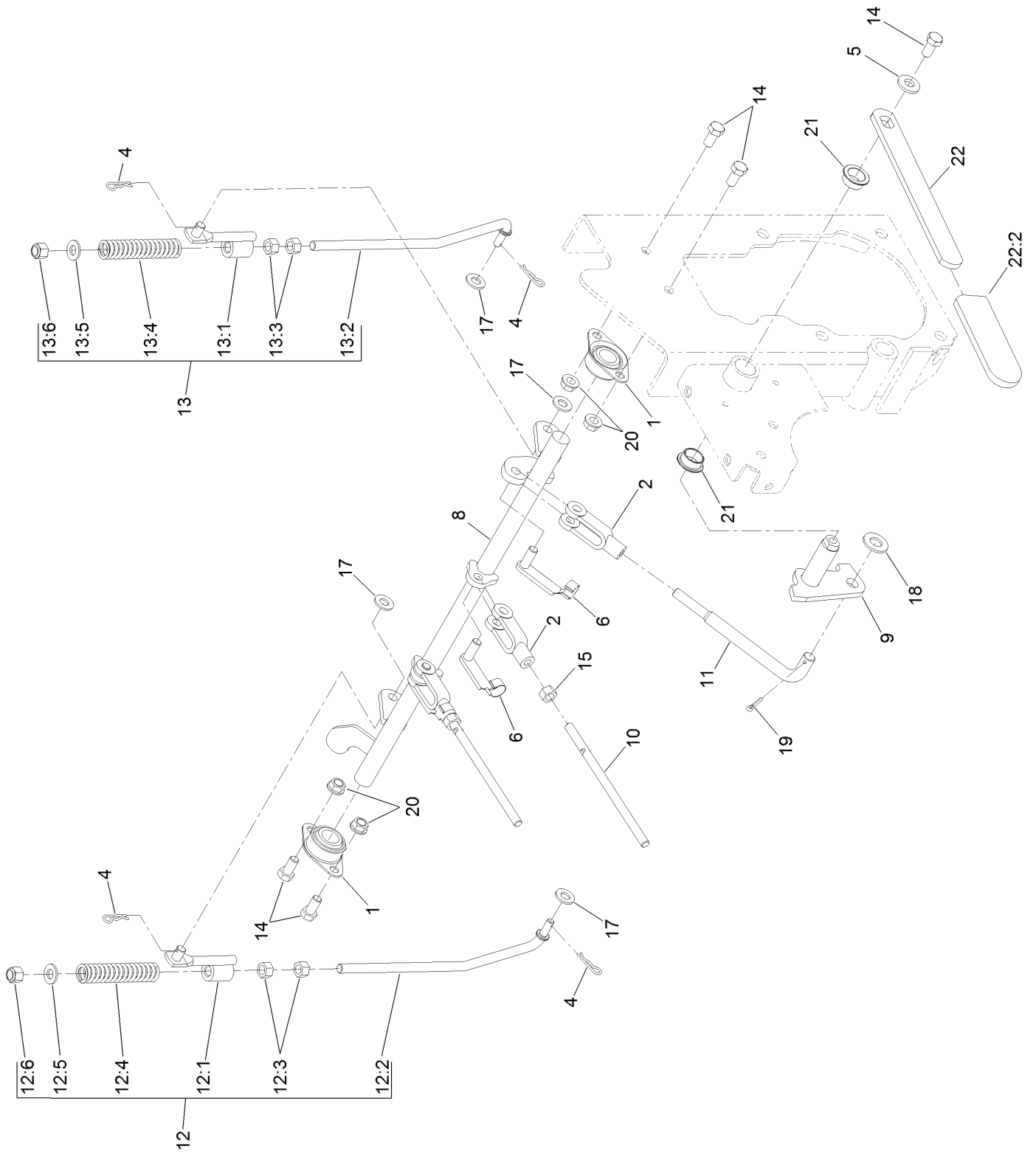
Main Frame Assembly (continued)

<i>Ref.</i>	<i>Part Number</i>	<i>Qty.</i>	<i>Description</i>	<i>Ref.</i>	<i>Part Number</i>	<i>Qty.</i>	<i>Description</i>
1	116-7482	1	Frame ASM	24:2	98-1977	1	Decal-Warning
2	116-7396-03	1	Plate-Support	25	1-803035	4	Rivet 3/16 X 1/4
3	109-0925-03	1	Bumper-Rear	26	109-5874-03	1	Brace-PTO
4	109-2365	1	Bumper-Rubber	27	1-213069	1	Washer
5	103-5408	2	Roller-Bumper	28	321-6	2	Screw-HH 1/4-20 X 1
6	32128-33	5	Nut-Whizlock 1/4-20	30	103-9494	1	Asm, Rear Caster Wheel W/Axle
7	3256-23	3	Washer-5/16 Sae	30:1	103-2768	2	Guard-Seal
8	322-5	5	Screw-HH 5/16-18 X 1	30:2	103-7738	1	Screw-HH 1/2-13 X 13
9	32128-20	5	Nut-Whizlock 5/16-18	30:3	3296-23	1	Nut-Nyloc 1/2-13
10	323-6	4	Screw-HH 3/8-16 X 1	30:4	103-5305	1	Asm, Wheel Tire And Brg 13X8.00-6 Sp
11	3256-24	4	Washer-3/8 Sae	30:4:2	1-633585	2	Bearing-Cone Tapered Roller
12	3296-39	6	Nut-Nyloc 3/8-16	30:4:3	103-5302	1	Axle-Caster
13	3231-31	2	Bolt-Carriage 3/8-16 X 2 1/2	30:4:4	103-3051	2	Spacer-Nut ■
14	1-811010	1	Plug	30:4:5	103-0063	2	Seal-Double Lip
15	103-8333	1	Guide-Belt	31	3256-26	2	Washer-1/2 Sae
16	103-8349	1	Guide-Belt	32	3296-45	2	Nut-Nyloc 1/2-13 Thin
17	1-613235	4	Washer	33	325-17	2	Screw-HH 1/2-13 X 4
18	322-6	2	Screw-HH 5/16-18 X 1 1/4	34	116-8323	1	Guide-Belt
19	1-633060	2	Spacer-Wheel, Short	37	103-3351-03	1	Fork-Rear Caster
20	103-6596-03	2	Rod-Push	38	103-9027	1	Seal-Grease
21	130-2879	1	Drive Shield ASM	39	103-9028	2	Cone-Bearing Taper Roller
21:2	116-8941	1	Decal-Belt Routing	40	1-633508	6	Washer-Spring Disc
21:3	98-1977	1	Decal-Warning	41	3296-51	1	Nut-Nyloc 3/4-10
22	321-3	1	Screw-HH 1/4-20 X 5/8	42	103-9057	1	Cap-Grease
23	103-4155	2	Pin-Lynch	43	3256-8	1	Washer
24	103-9476	1	Lift Shield ASM	44	103-9029	2	Cup-Bearing Tapered Roller
24:1		1	Shield-Lift ●	45	116-7272-03	1	Shield-Heat
24:1:1	1-803035	2	Rivet 3/16 X 1/4				
24:1:2	103-8819	1	Flap-Guard				
24:1:3	103-9114-03	1	Plate-Decal				

● Not serviced separately

■ Use Pro-Lock, Nut Type (P/N 1-840022, .5ml tube) on threads.

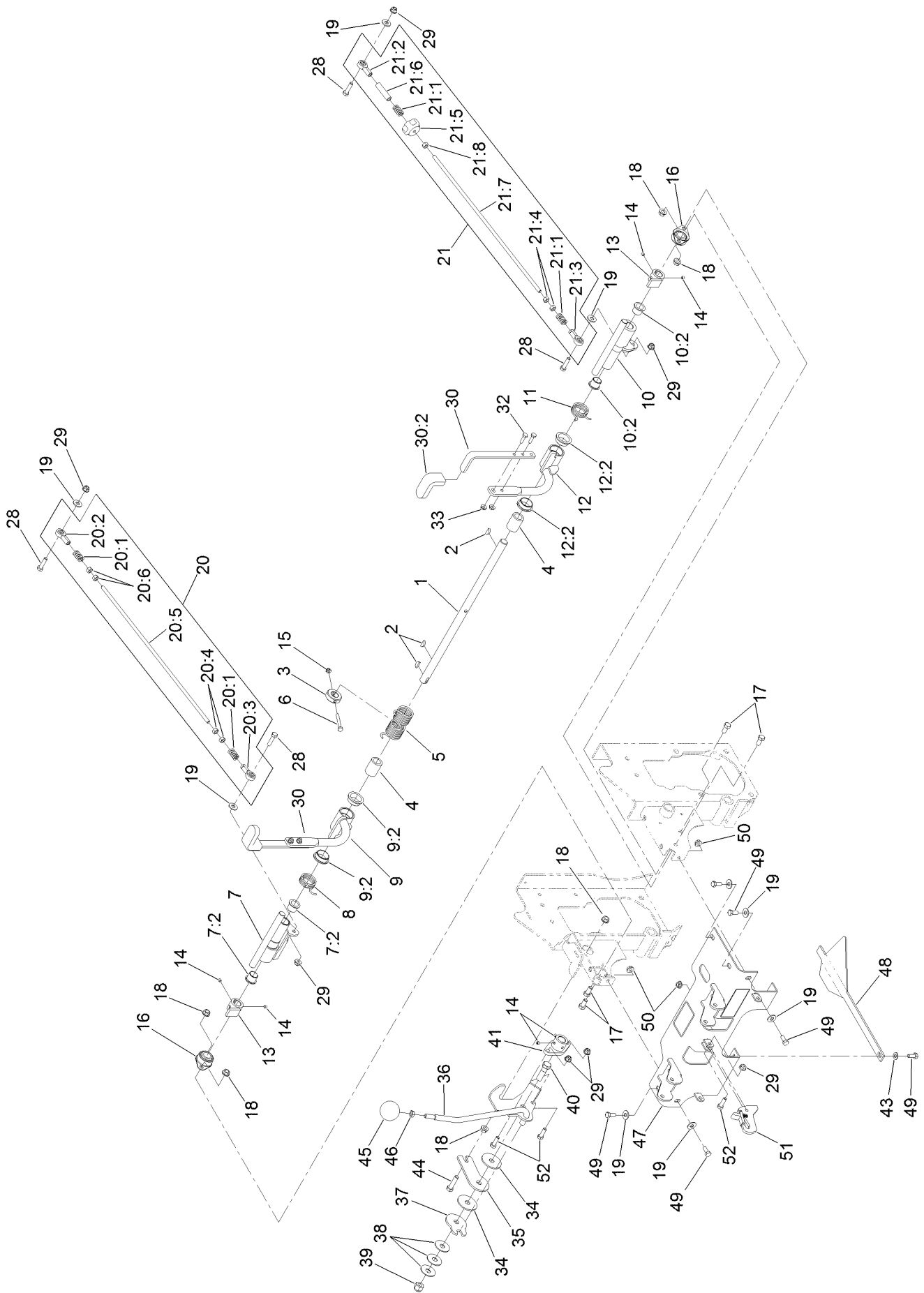
Parking Brake Assembly



Parking Brake Assembly (continued)

<i>Ref.</i>	<i>Part Number</i>	<i>Qty.</i>	<i>Description</i>	<i>Ref.</i>	<i>Part Number</i>	<i>Qty.</i>	<i>Description</i>
1	1-633102	2	Bearing-Flange, Side	13	116-9749	1	LH Brake Linkage ASM
2	1-633131	3	Yoke-Linkage, Brake	13:1	116-8467	1	Brake Linkage ASM
4	1-806003	4	Pin-Cotter	13:2	116-8464	1	Link-Brake, LH
5	98-5975	1	Washer-Belleville	13:3	3219-3	2	Nut-Hex
6	103-2399	3	Pin-Spring, Clevis	13:4	116-8470	1	Spring-Compression
8	116-7483-03	1	Shaft-Brake	13:5	3256-24	1	Washer-Flat
9	116-7486	1	Pivot-Brake	13:6	3296-6	1	Nut-Lock
10	116-7838	2	Rod-Linkage, Brake	14	323-4	5	Screw-HH
11	116-8474	1	Rod-Linkage, Brake	15	3219-3	2	Nut-Hex
12	116-9748	1	RH Brake Linkage ASM	17	3256-24	4	Washer-Flat
12:1	116-8467	1	Brake Linkage ASM	18	3256-26	1	Washer-Flat
12:2	116-8465	1	Link-Brake, RH	19	3272-10	1	Pin-Cotter
12:3	3219-3	2	Nut-Hex	20	3290-357	4	Nut-HHF, Whiz
12:4	116-8470	1	Spring-Compression	21	108519	2	Bushing-Bronze
12:5	3256-24	1	Washer-Flat	22	103-9469	1	Park Brake Handle ASM
12:6	3296-6	1	Nut-Lock	22:2	1-633268	1	Grip-Lever

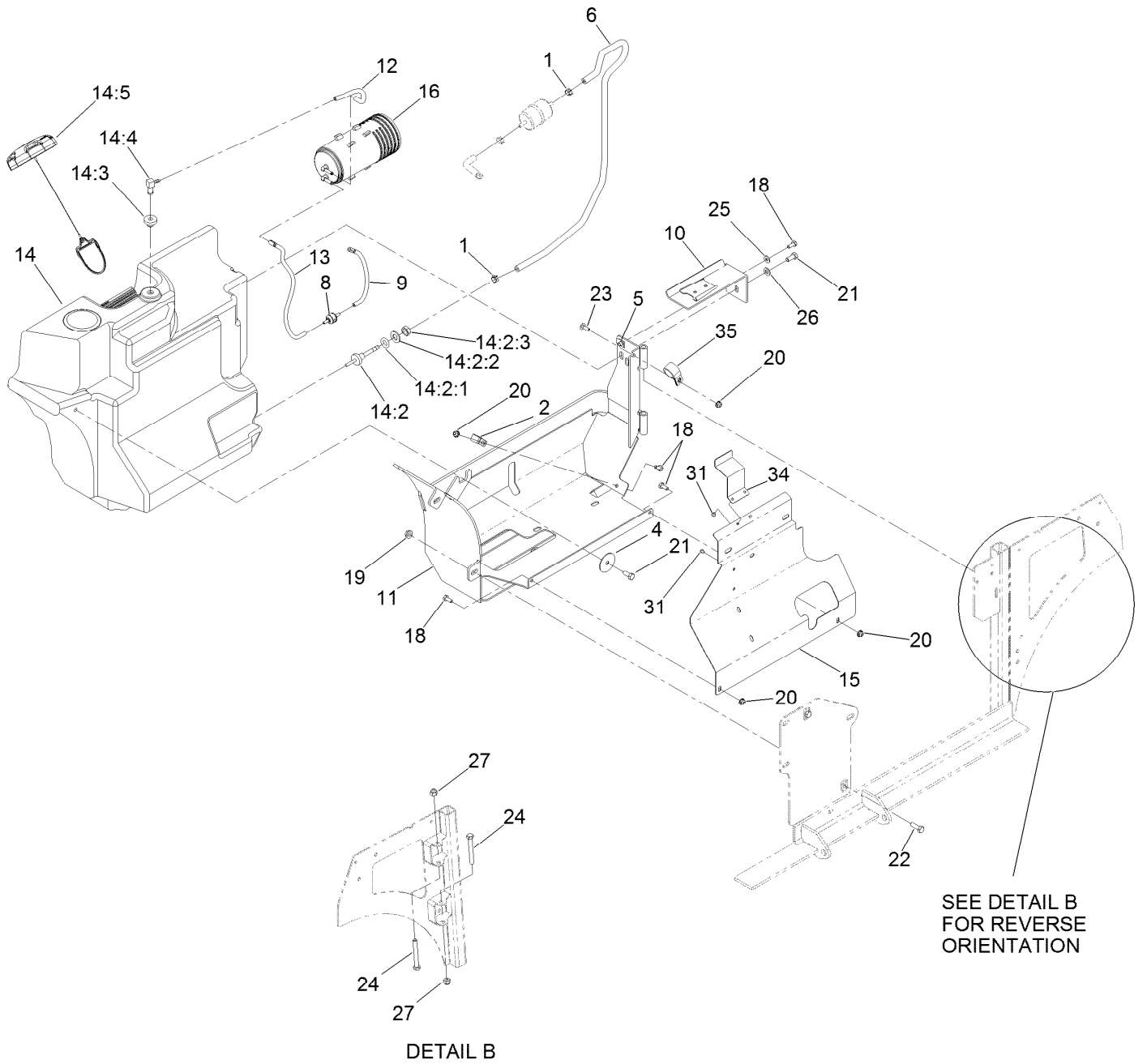
Speed Control Assembly



Speed Control Assembly (continued)

<i>Ref.</i>	<i>Part Number</i>	<i>Qty.</i>	<i>Description</i>	<i>Ref.</i>	<i>Part Number</i>	<i>Qty.</i>	<i>Description</i>
1	116-7856	1	Shaft-Speed Control	21:3	1-633152	1	Balljoint-LH
2	3257-5	3	Key-Woodruff	21:4	1-804524	2	Nut
3	116-7372	1	Hub-Center Stop	21:5	103-3060	1	Knob-Tracking
4	116-7414	2	Bushing-Plastic	21:6	103-5945	1	Spacer
5	116-8475	1	Spring-Double Torsion	21:7	116-7492	1	Rod-Steering Linkage
6	321-11	1	Screw-HH	21:8	3219-2	1	Nut-Hex
7	116-8444	1	RH Control Hub ASM	28	322-6	4	Screw-HH
7:2	103-4398	2	Bearing-Flange, Iglide	29	104-8300	7	Nut-Flange, NI
8	116-7380	1	Spring-Torsion, RH	30	116-9246	2	Handle ASM
9	116-7408	1	RH Steering Handle ASM	30:2	103-5994	1	Grip-Handle, Steering
9:2	116-7422	2	Bearing-Flange, Iglide	32	321-5	4	Screw-HH
10	116-7416	1	LH Control Hub ASM	33	32128-33	4	Nut-HF
10:2	103-4398	2	Bearing-Flange, Iglide	34	103-5009	2	Disc-Friction
11	116-7381	1	Spring-Torsion, LH	35	116-7846	1	Plate-Friction, Speed Control
12	116-7421	1	LH Steering Handle ASM	36	116-7845	1	Lever-Speed Control
12:2	116-7422	2	Bearing-Flange, Iglide	37	116-7849	1	Plate-Friction, Speed Control
13	103-4342	2	Hub-Speed Control	38	103-5018	3	Washer-Spring Disc
14	108-0989	6	Screw-Set	39	3296-19	1	Nut-Hex
15	3296-56	1	Nut-Lock, NI	40	116-7848	1	Screw-HH
16	1-633102	2	Bearing-Flange, Side	41	116-7859	1	Hub-Speed Control
17	323-4	4	Screw-HH	43	3256-23	1	Washer-Flat
18	3290-357	6	Nut-HHF, Whiz	44	323-8	1	Screw-HH
19	3256-3	9	Washer-Flat	45	103-4397	1	Knob-Ball, Speed Control
20	116-9667	1	RH Pump Linkage ASM	46	3218-3	1	Nut-Jam
20:1	1-323245	2	Spring-Compression	47	116-7384	1	Console ASM
20:2	1-543017	1	Balljoint-RH	48	103-5993-03	1	Guide-Plenum
20:3	1-633152	1	Balljoint-LH	49	322-3	6	Screw-HH
20:4	1-804524	2	Nut	50	32128-20	3	Nut-HF
20:5	116-7492	1	Rod-Steering Linkage	51	103-8494	1	Hook
20:6	3219-2	2	Nut-Hex	52	322-5	3	Screw-HH
21	116-9668	1	LH Pump Linkage ASM				
21:1	1-323245	2	Spring-Compression				
21:2	1-543017	1	Balljoint-RH				

Fuel Assembly



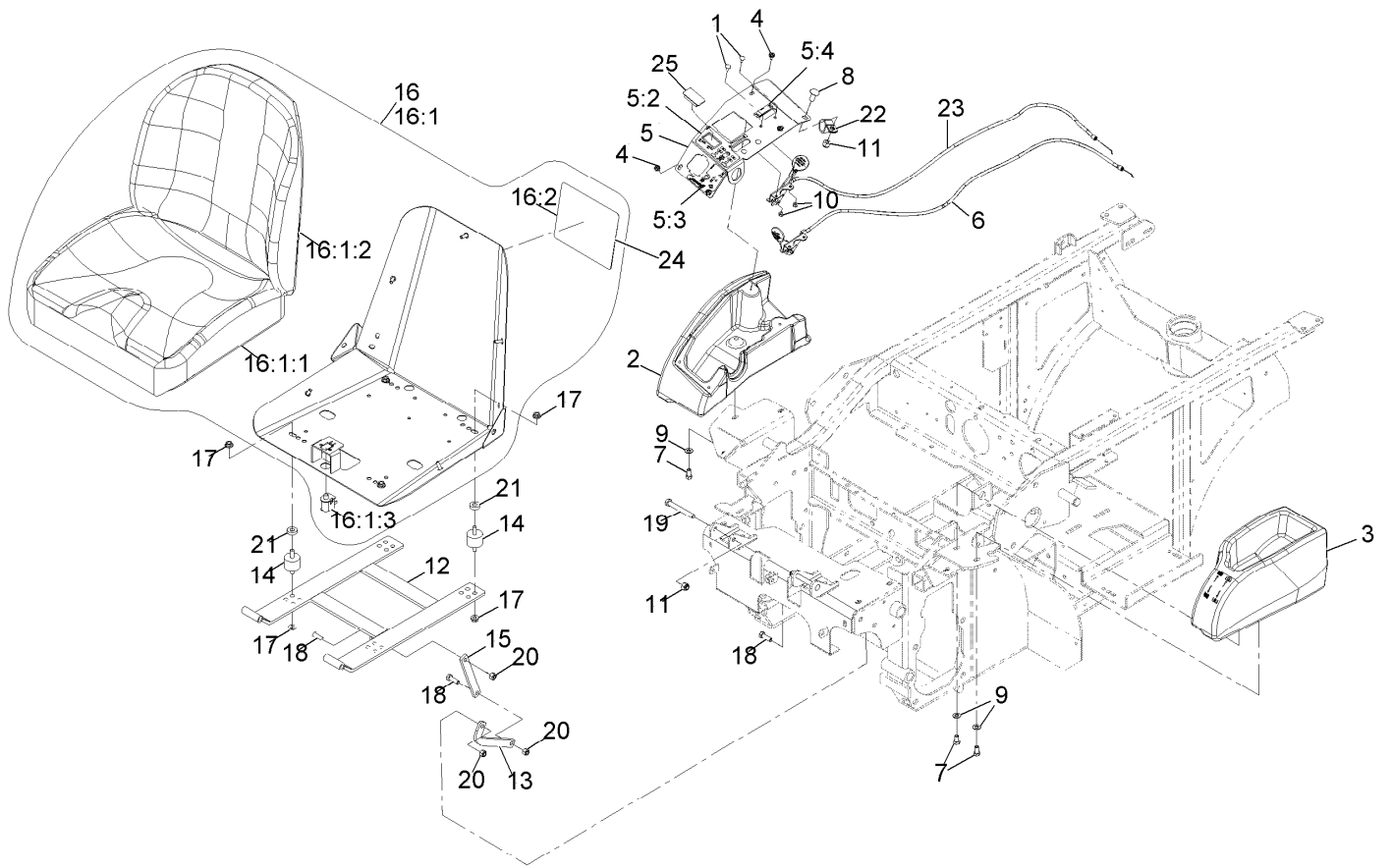
Fuel Assembly (continued)

<i>Ref.</i>	<i>Part Number</i>	<i>Qty.</i>	<i>Description</i>	<i>Ref.</i>	<i>Part Number</i>	<i>Qty.</i>	<i>Description</i>
1	2412-98	2	Clamp-Hose	14:4	100-1596	1	Fitting-90 DEG
2	1-513762	1	Clip-Loom	14:5	120-5461	1	Cap-Fuel, Ratcheting
4	1-653036	1	Washer	15	116-7928-03	1	Panel-Tank Shield
5	107069	1	Clip	16	117-1221	1	Canister-Carbon, 800Cc
6	109-0284	1	Hose-Fuel	18	321-3	4	Screw-HH
8	115-7868	1	Valve-Check, Vacuum	19	32128-20	2	Nut-HF
9	116-2619	1	Hose-Vent, Formed	20	104-7201	4	Nut-HF
10	116-2847-03	1	Canister Bracket ASM	21	322-3	2	Screw-HH ●
11	116-2848-03	1	Tank Frame ASM	22	322-5	2	Screw-HH ■
12	116-2966	1	Hose-Vent, Formed	23	3229-1	1	Bolt-CARR
13	116-2967	1	Hose-Vent, Formed	24	323-14	2	Screw-HH
14	116-8365	1	Fuel Tank ASM	25	3256-22	1	Washer-Flat
14:2	103-6057	1	Fitting-Fuel, Bulkhead ●	26	3256-23	1	Washer-Flat
14:2:1	103-2784	1	O-Ring	27	3296-39	2	Nut-Lock, NI
14:2:2	3256-26	1	Washer-Flat	31	1-803035	2	Rivet-Pop
14:2:3	3220-5	1	Nut-Jam	34	116-4037-03	1	Bracket-Shield, Tank
14:3	46-6560	1	Bushing	35	110-0824	1	R-Clamp

● Use Pro-Lock, Nut Type (P/N 1-840022, .5ml tube) on threads.

■ Use Pro-Lock retaining type, Part no. 1-840023 (.5cc tube) on threads.

Seat and Consoles Assembly

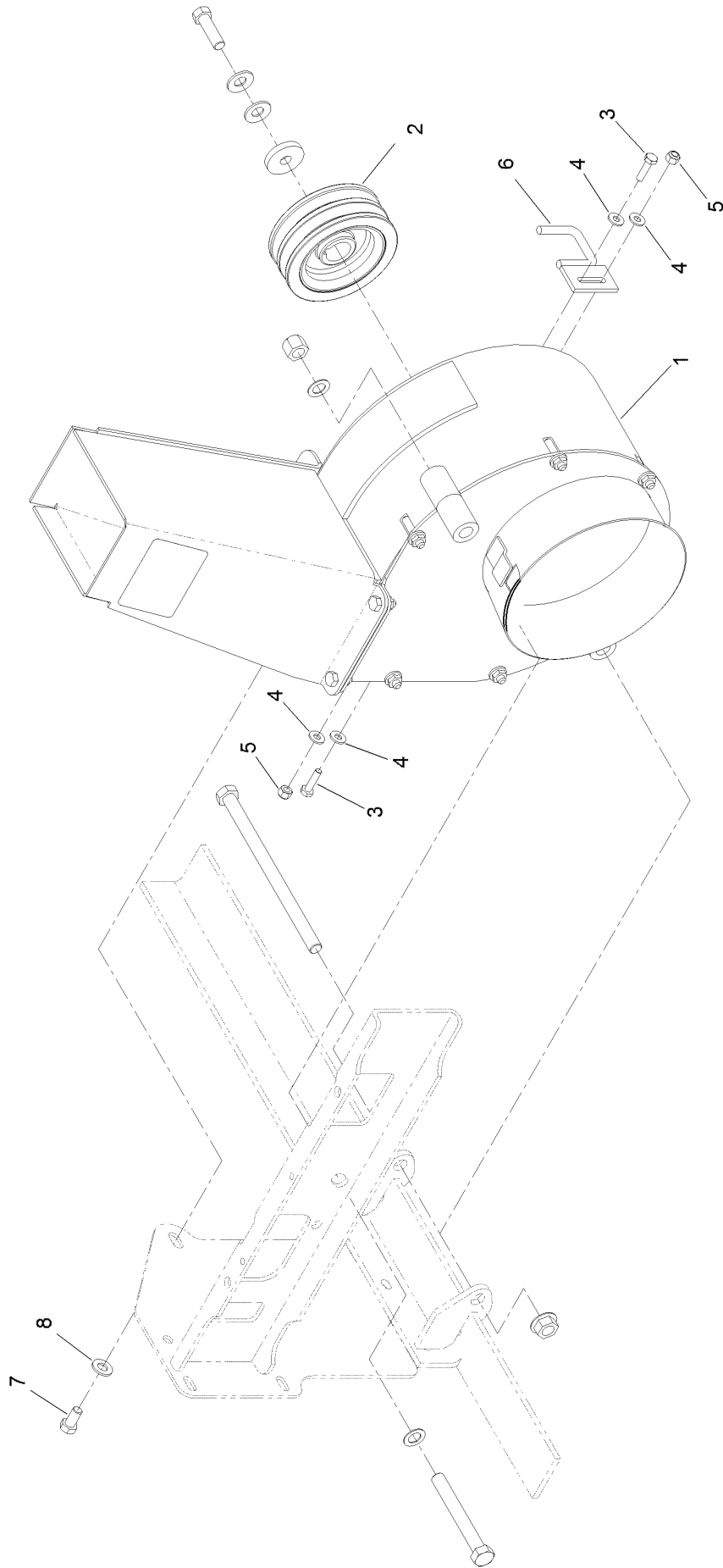


Seat and Consoles Assembly (continued)

<i>Ref.</i>	<i>Part Number</i>	<i>Qty.</i>	<i>Description</i>	<i>Ref.</i>	<i>Part Number</i>	<i>Qty.</i>	<i>Description</i>
1	1-807513	4	Bolt-Carriage #10-24 X 1/2	15	103-8563	1	Link-Seat
2	116-9430	1	Console-RH	16	116-4849	1	Seat ASM
3	126-4342	1	Console, LH Grey	16:1		1	Seat ASM ●
4	109-2661	4	Screw-PPH #10-24 X 1/2	16:1:1	116-4848	1	ASM-Seat Bottom Cushion
5	116-9374	1	Control Panel ASM	16:1:2	116-3738	1	Cushion,Seat Back
5:2	116-9375	1	Decal-Nav Console 640Kc	16:1:3	82-2190	1	Switch
5:3	116-9376	1	Decal-Speed Control	16:2	116-9044	1	Decal-Service Aid
5:4	116-9470	1	Decal-Choke	17	32128-20	8	Nut-Whizlock 5/16-18
6	109-4641	1	Cable-Throttle	18	322-5	3	Screw-HH 5/16-18 X 1
7	322-2	6	Screw-HH 5/16-18 X 5/8	19	323-14	2	Screw-HH 3/8-16 X 3
8	3231-27	1	Bolt-Carriage 3/8-16 X 7/8	20	3296-29	3	Nut-Nyloc 5/16-18
9	3256-23	6	Washer-5/16 Sae	21	5-0652	4	Spacer
10	3296-2	4	Nut-Nyloc #10-24	22	1-643312	1	Clip-Loom
11	3296-39	3	Nut-Nyloc 3/8-16	23	109-4640	1	Cable-Choke
12	103-4362-03	1	Frame-Seat	24	116-9044	1	Decal-Service Aid
13	116-9554	1	Link-Seat Stop	25	99-7420	1	Plug-Hole
14	103-5496	4	Mount-Vibration, Rubber				

● Not serviced separately

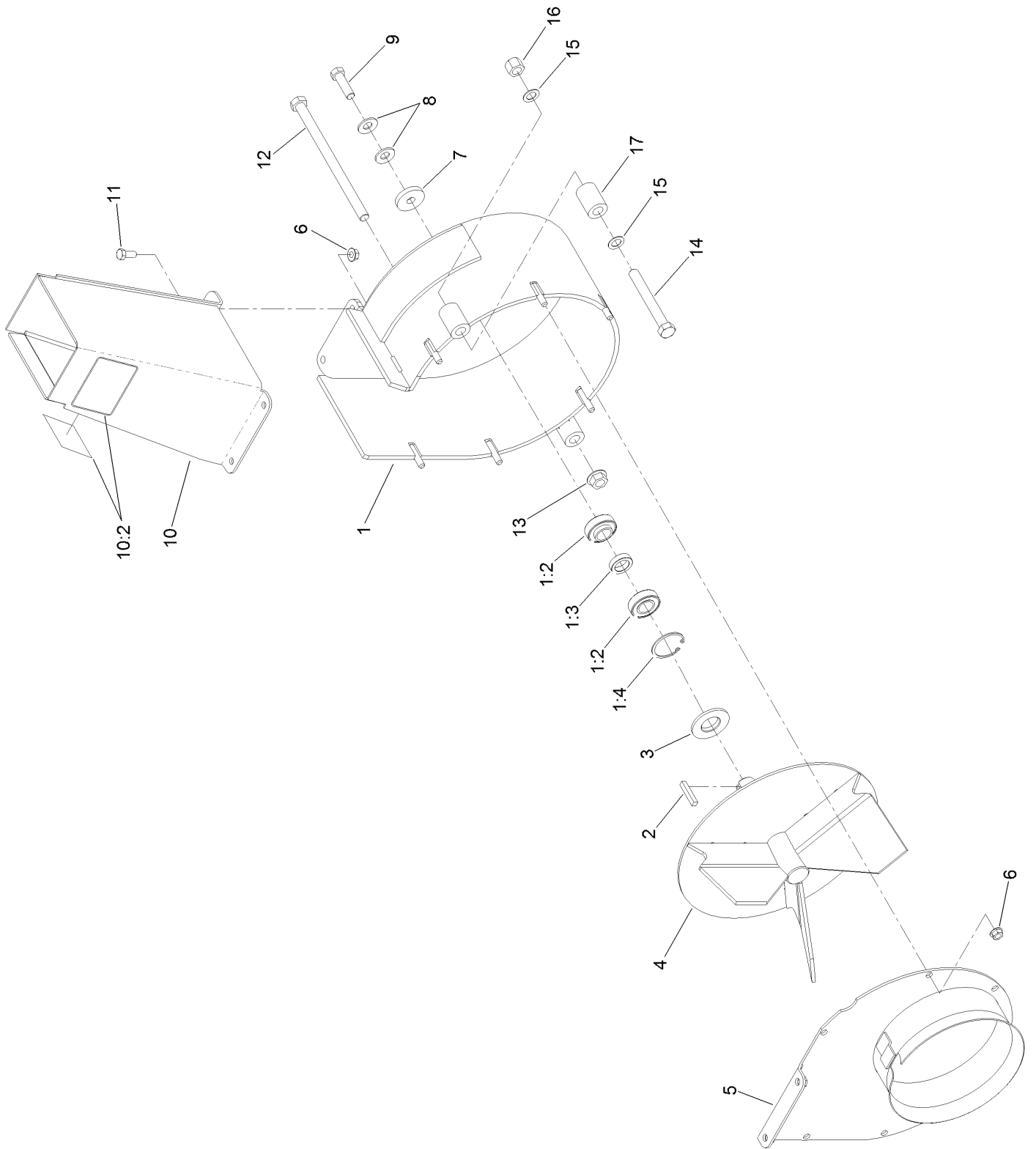
Blower Mounting Assembly



Blower Mounting Assembly (continued)

<i>Ref.</i>	<i>Part Number</i>	<i>Qty.</i>	<i>Description</i>	<i>Ref.</i>	<i>Part Number</i>	<i>Qty.</i>	<i>Description</i>
1	116-9649	1	Blower ASM	5	3296-42	2	Nut-Lock, NI
2	103-6733	1	Sheave-Blower	6	103-9167-03	1	Guide
3	321-6	2	Screw-HH	7	323-4	1	Screw-HH
4	3256-22	4	Washer-Flat	8	3256-24	1	Washer-Flat

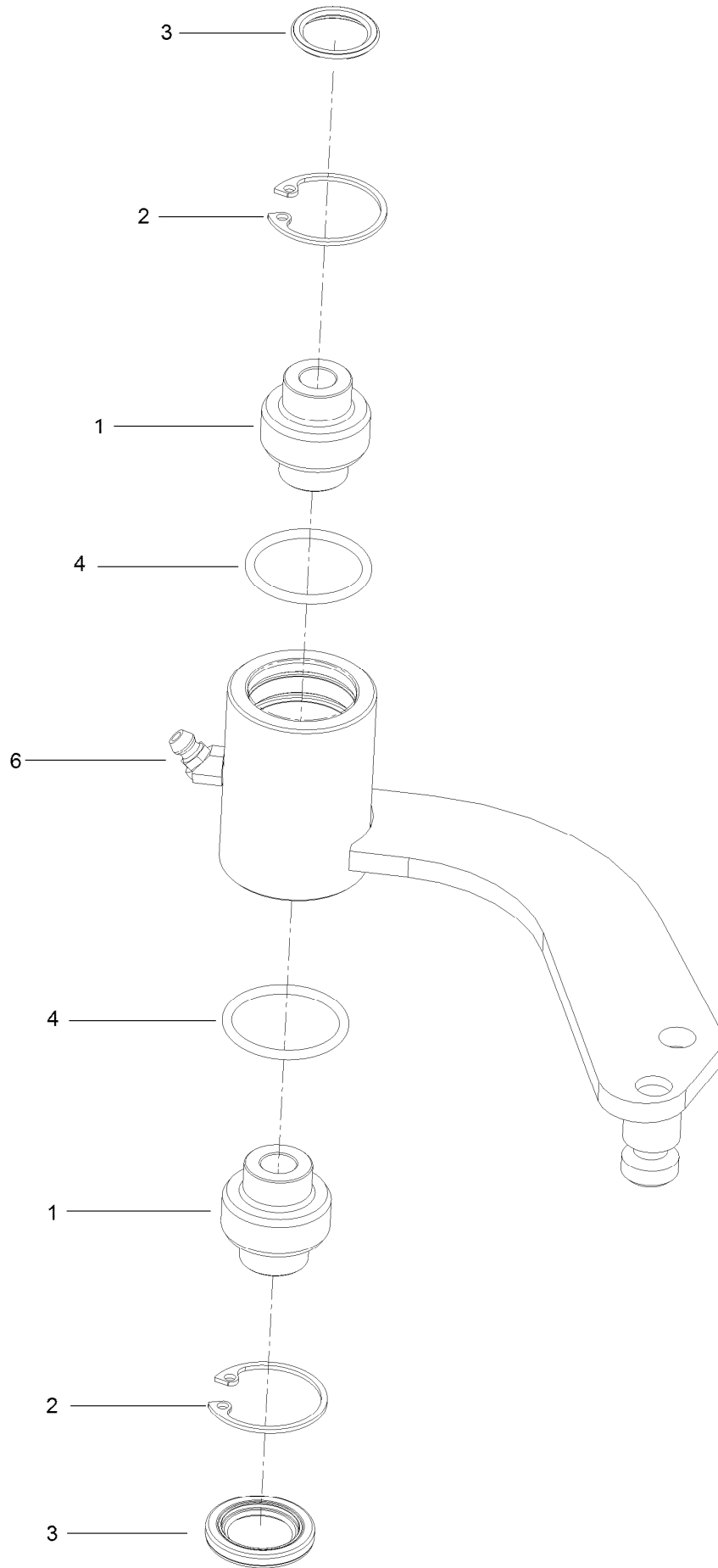
Blower Assembly No. 116-9649



Blower Assembly No. 116-9649 (continued)

<i>Ref.</i>	<i>Part Number</i>	<i>Qty.</i>	<i>Description</i>	<i>Ref.</i>	<i>Part Number</i>	<i>Qty.</i>	<i>Description</i>
1	116-9648	1	Housing ASM	9	3212-6	1	Screw-HH
1:2	103-3540	2	Bearing-Ball	10	103-9474	1	Discharge Chute ASM
1:3	103-4921	1	Spacer-Bearing	10:2	116-8943	2	Decal-Danger, Impeller
1:4	32120-8	2	Ring-Snap	11	322-3	4	Screw-HH
2	67-7490	1	Key-Square	12	325-42	1	Screw-HH
3	103-3894	1	Spacer-Blower	13	32128-23	1	Nut-HF
4	103-5194	1	Impeller-3 Blade	14	325-17	1	Screw-HH
5	103-3370-03	1	Cover-Blower	15	18-9810	2	Washer-Thrust
6	32128-20	10	Nut-HF	16	3296-23	1	Nut-Lock, NI
7	1-543610	1	Washer-Clutch	17	103-6999	1	Spacer-Mount
8	1-603610	2	Washer-Spring				

Idler Assembly No. 103-7349

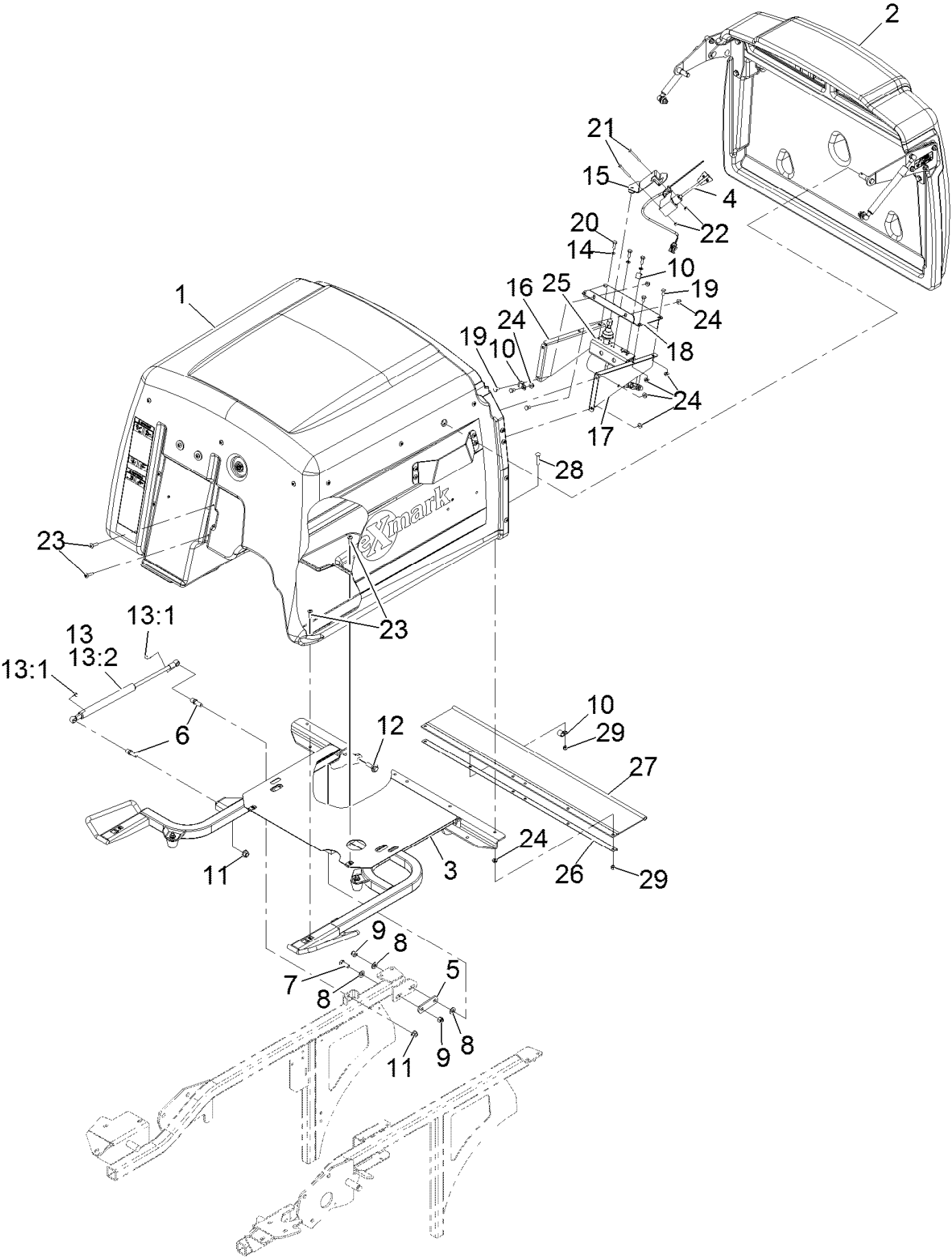


Idler Assembly No. 103-7349 (continued)

<i>Ref.</i>	<i>Part Number</i>	<i>Qty.</i>	<i>Description</i>
1	103-3504	2	Bearing-Spherical
2	32120-10	2	Ring-Snap
3	103-3506	2	Seal-Lip, Single

<i>Ref.</i>	<i>Part Number</i>	<i>Qty.</i>	<i>Description</i>
4	106-7159	2	O-Ring
6	302-11	1	Fitting-Lube, 45 DEG

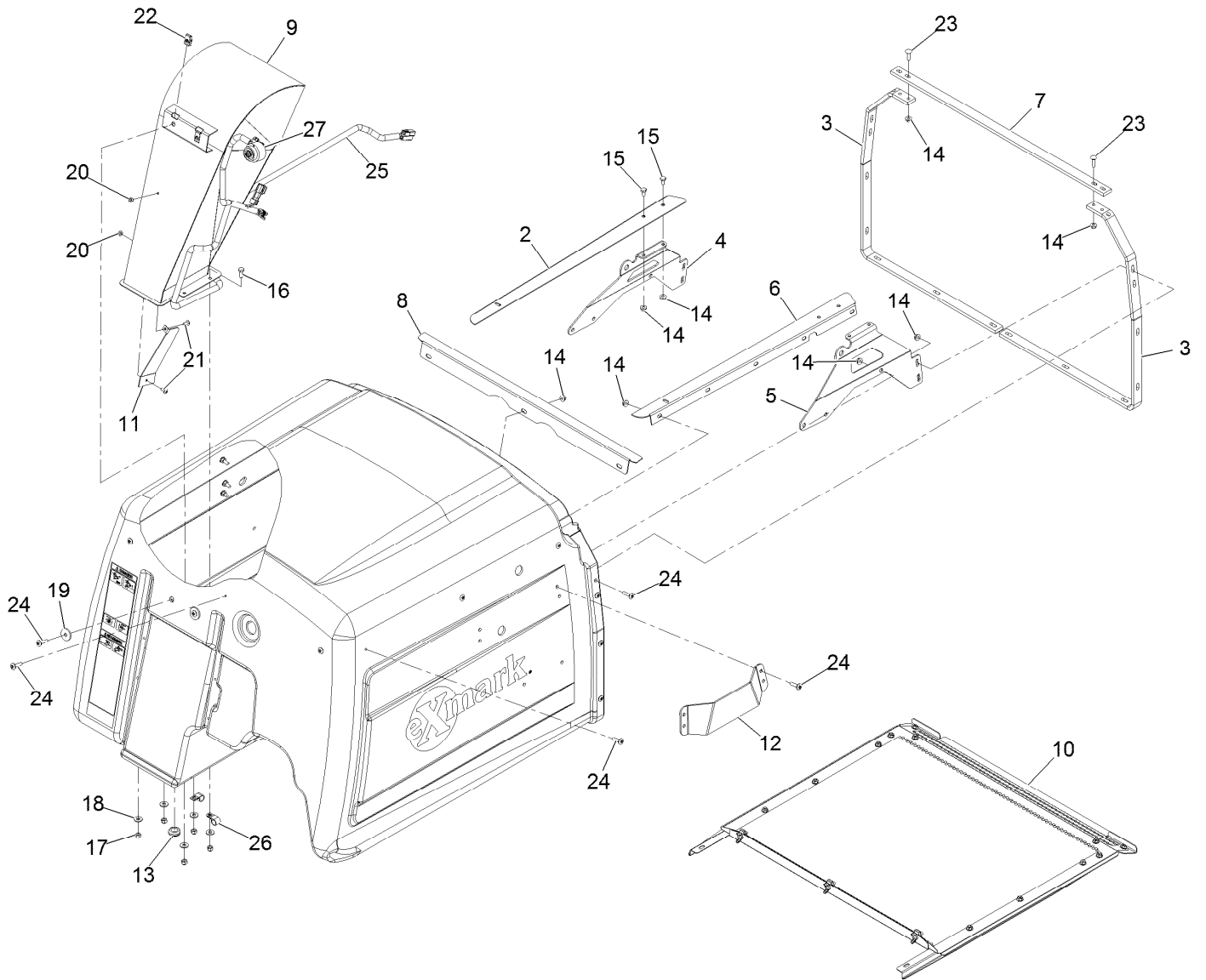
Hopper Assembly



Hopper Assembly (continued)

<i>Ref.</i>	<i>Part Number</i>	<i>Qty.</i>	<i>Description</i>	<i>Ref.</i>	<i>Part Number</i>	<i>Qty.</i>	<i>Description</i>
1	103-9457	1	Asm, Hopper	15	109-3648	1	Mount-Switch
2	103-9456	1	Asm, Door Hopper	16	103-6067-03	1	Bracket-Drive Motor, LH
3	109-4086	1	Hopper Frame ASM	17	103-6068-03	1	Bracket-Drive Motor, RH
4	103-9466	1	Asm, Fill Sensor	18	103-7085-03	1	Plate-Switch
5	1-633068	2	Arm-Lift, Deck	19	321-2	7	Screw-HH
6	103-5426	2	Stud-Ball	20	329-4	3	Screw-HH
7	323-6	2	Screw-HH	21	3250-48	2	Screw-PPH
8	3256-24	6	Washer-Flat	22	3296-2	2	Nut-Lock, NI
9	3296-39	4	Nut-Lock, NI	23	32105-32	8	Screw-TTH
10	1-513762	3	Clip-Loom	24	32128-33	17	Nut-HF
11	33005-00	2	Nut-HF	25	109-3853	1	Motor
12	614672	2	Bolt-Shoulder	26	103-6022-03	1	Channel-Hopper Frame
13	109-0716	1	Damper Kit	27	103-6025	1	Deflector-Grass
13:1	103-8325	2	Clip-Retainer	28	3229-4	6	Screw-CARR
13:2	103-5425	1	Shock-Gas Compression	29	3296-42	6	Nut-Lock, NI
14	1-303435	3	Washer-Spring				

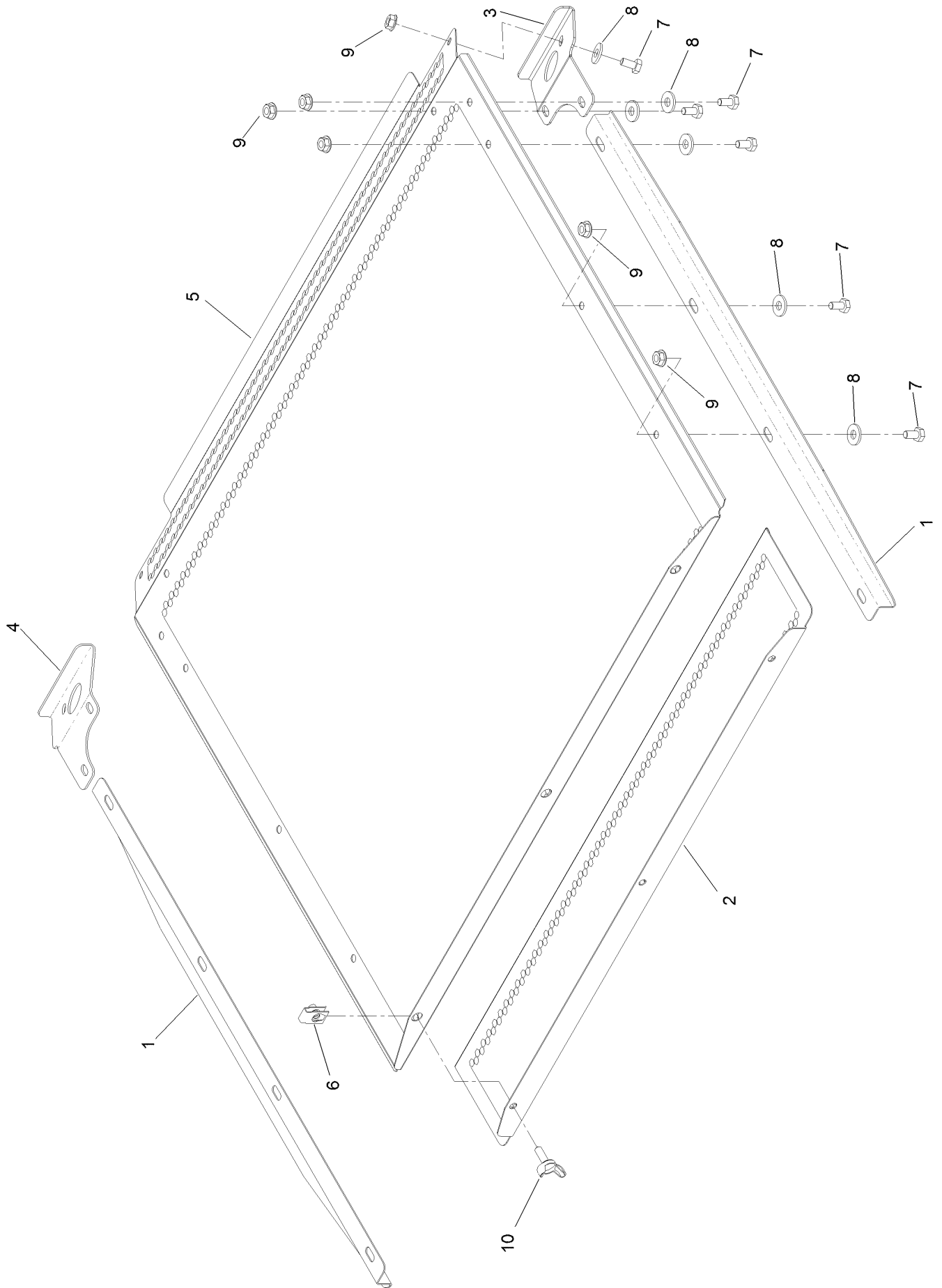
Hopper Assembly No. 103-9457



Hopper Assembly No. 103-9457 (continued)

<i>Ref.</i>	<i>Part Number</i>	<i>Qty.</i>	<i>Description</i>	<i>Ref.</i>	<i>Part Number</i>	<i>Qty.</i>	<i>Description</i>
2	103-5736-03	1	Angle-Screen Track, RH	16	321-4	5	Screw-HH 1/4-20 X 3/4
3	103-5045-03	2	Reinforcement-Hopper	17	3296-42	5	Nut-Nyloc 1/4-20
4	103-5751-03	1	Brace-Door Pivot, RH	18	3256-2	5	Washer-1/4 Std
5	103-5749-03	1	Brace-Door Pivot, LH	19	1-613235	2	Washer
6	103-5774-03	1	Angle-Screen Track, LH	20	3296-2	2	Nut-Nyloc #10-24
7	103-5772-03	1	Bracket-Frame Connect	21	32122-30	2	Screw-Truss HD #10-24 X 1/2
8	103-7035-03	1	Channel-Screen, Front	22	107069	2	Nut-Retainer-Panel 1/4-20
9	109-3650-03	1	Diffuser	23	3229-2	4	Bolt-Carriage 1/4-20 X 1
10	109-0717	1	Hopper Screen ASM	24	32105-32	27	Screw-Truss HD 1/4-20 X 1
11	103-8680	1	Deflector-Discharge Chute	25	103-8800	1	Harness-Wire, Hopper
12	109-4019	2	Plate-Guard	26	1-513762	2	Clip-Loom 1/2
13	1-543296	1	Grommet	27	103-0205	1	Alarm-Tone, Dual
14	32128-33	33	Nut-Whizlock 1/4-20				
15	321-2	4	Screw-HH 1/4-20 X 1/2				

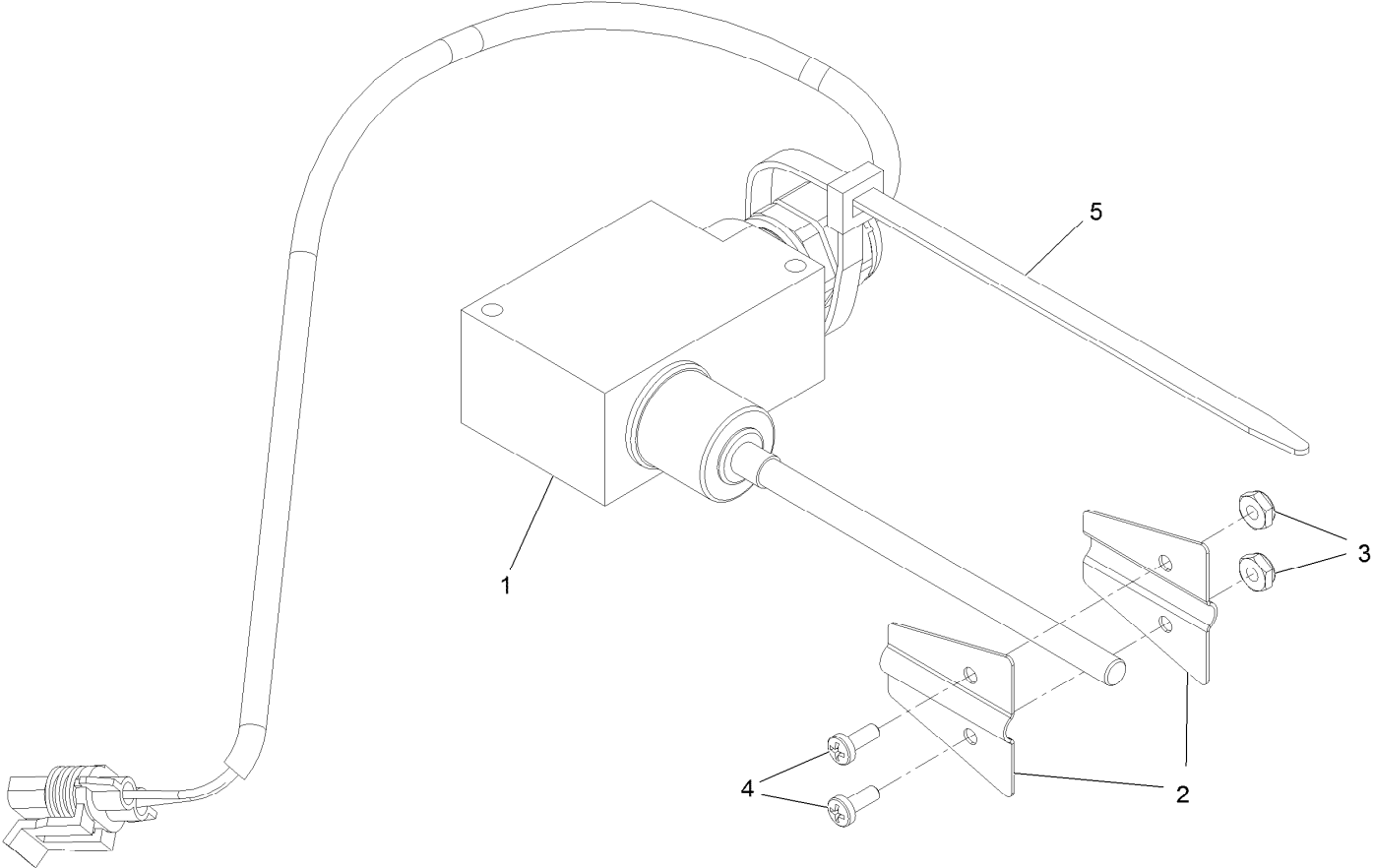
Hopper Screen Assembly No. 109-0717



Hopper Screen Assembly No. 109-0717 (continued)

<i>Ref.</i>	<i>Part Number</i>	<i>Qty.</i>	<i>Description</i>	<i>Ref.</i>	<i>Part Number</i>	<i>Qty.</i>	<i>Description</i>
1	103-8203-03	2	Guide-Screen	6	107069	3	Clip
2	103-7048-03	1	Panel-Screen, Removable	7	321-2	12	Screw-HH
3	103-7098-03	1	Handle-Screen, LH	8	3256-2	12	Washer-Flat
4	103-7099-03	1	Handle-Screen, RH	9	32128-33	12	Nut-HF
5	103-5745-03	1	Panel-Screen, Hopper	10	109-1063	3	Screw-Wing

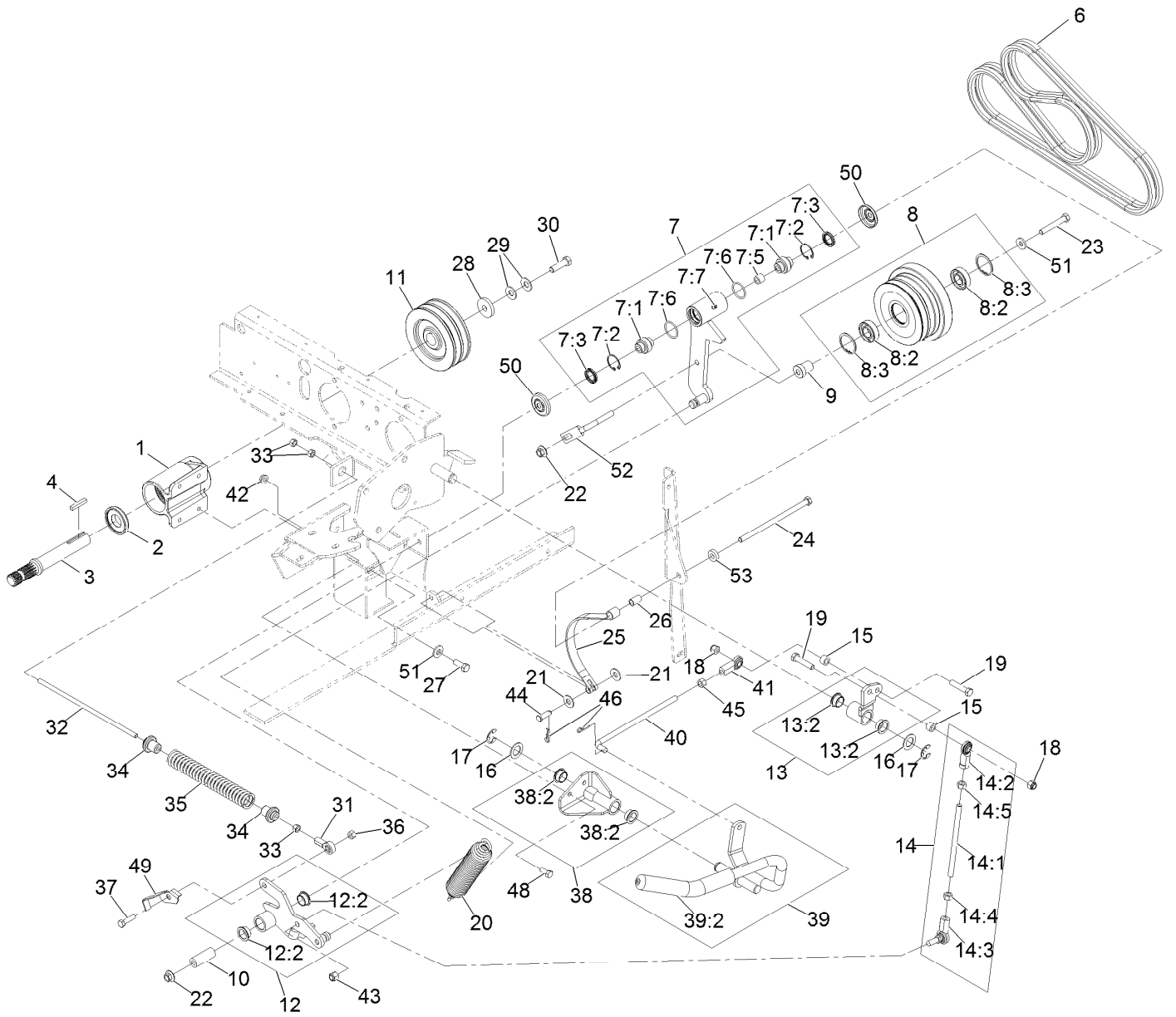
Fill Sensor Assembly No. 103-9466



Fill Sensor Assembly No. 103-9466 (continued)

<i>Ref.</i>	<i>Part Number</i>	<i>Qty.</i>	<i>Description</i>	<i>Ref.</i>	<i>Part Number</i>	<i>Qty.</i>	<i>Description</i>
1	109-3854	1	Fill Sensor Wire Kit	4	9107622	2	Screw-PPH #6-32 X 5/8
2	103-8789	2	Flag-Sensor, Fill	5	1-303335	1	Tie-Cable 7 15/16 (Large)
3	3296-9	2	Nut-Nyloc #6-32 Thin				

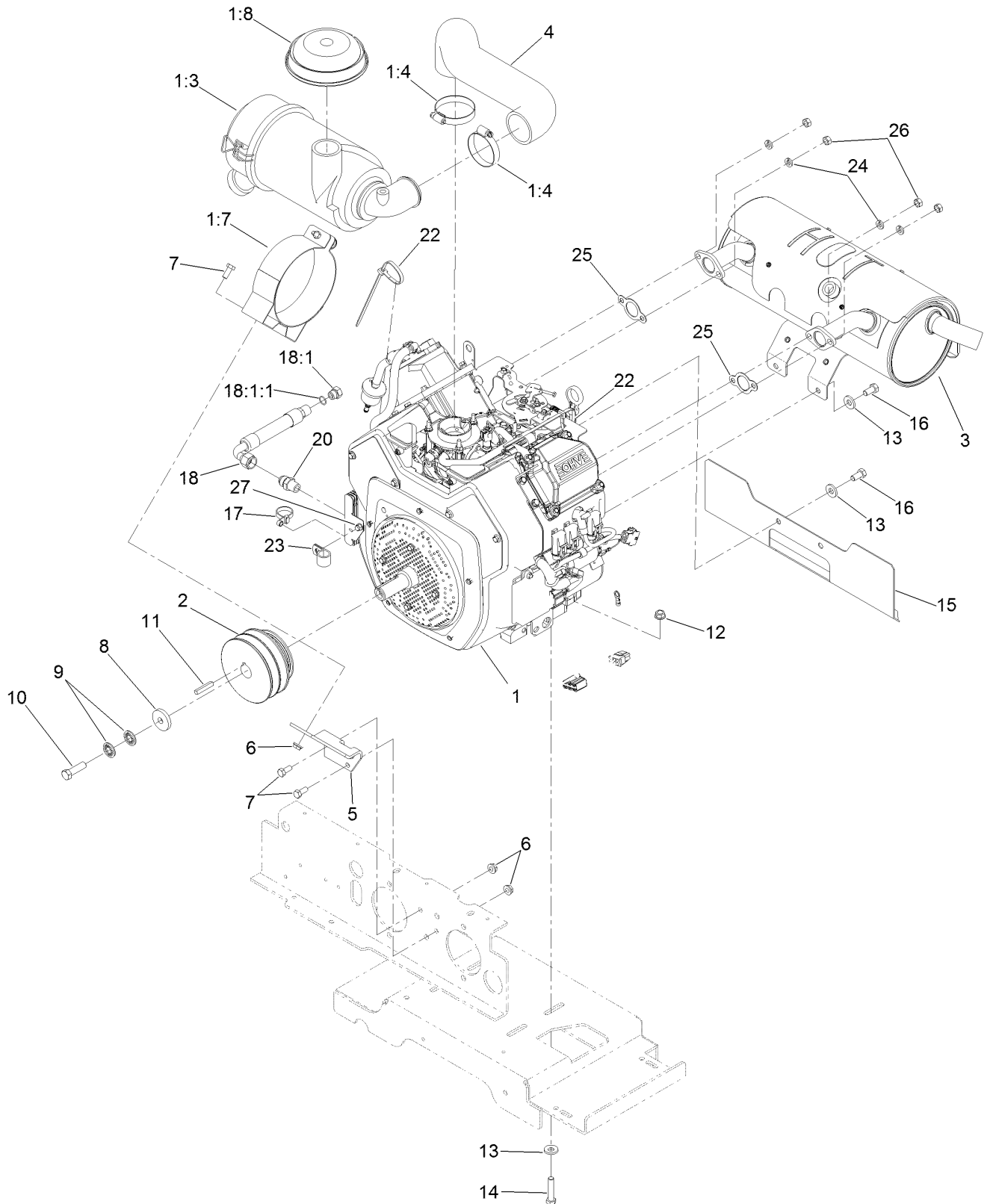
Drive Assembly



Drive Assembly (continued)

<i>Ref.</i>	<i>Part Number</i>	<i>Qty.</i>	<i>Description</i>	<i>Ref.</i>	<i>Part Number</i>	<i>Qty.</i>	<i>Description</i>
1	103-2544	1	Jackshaft ASM	21	3256-4	2	Washer-Flat
2	103-2535	1	Spacer-Guard, Bottom	22	32128-19	2	Nut-HF
3	103-6735	1	Jackshaft	23	323-12	1	Screw-HH
4	67-7490	1	Key-Square	24	323-36	1	Screw-HH
6	103-6737	1	Belt, Matched Pair	25	103-7697	1	Band-Brake
7	103-8253	1	Idler Pivot ASM	26	103-9816	1	Spacer
7:1	103-3504	2	Bearing-Spherical	27	323-6	4	Screw-HH
7:2	32120-10	2	Ring-Snap	28	1-543610	1	Washer-Clutch
7:3	103-3506	2	Seal-Lip, Single	29	1-603610	2	Washer-Spring
7:5	1-413088	1	Bushing-Lever, Lift	30	3212-6	1	Screw-HH
7:6	106-7159	2	O-Ring	31	1-543017	1	Balljoint-RH
7:7	302-19	1	Fitting-Grease	32	103-7996	1	Linkage-Rod, PTO Brake
8	103-9439	1	Idler Sheave ASM	33	3219-2	3	Nut-Hex
8:2	251-347	2	Bearing-Ball	34	103-8254	2	Bushing-Spring
8:3	32151-13	2	Ring-Retaining	35	103-7997	1	Spring-Brake
9	103-7350	1	Spacer-Idler	36	3296-29	1	Nut-Lock, NI
10	103-7382	1	Bushing	37	322-6	1	Screw-HH
11	103-6732	1	Sheave	38	103-9295	1	Pivot ASM
12	103-9296	1	Arm ASM	38:2	108519	2	Bushing-Bronze
12:2	108519	2	Bushing-Bronze	39	103-9486	1	PTO Handle ASM
13	103-9297	1	Arm ASM	39:2	103-8153	1	Grip-Lever, Control
13:2	108519	2	Bushing-Bronze	40	103-8277	1	Link-Handle
14	103-7392	1	Clutch Link ASM	41	103-0608	1	Joint-Ball, End
14:1	103-7393	1	Rod-Linkage	42	32128-20	2	Nut-HF
14:2	103-1167	1	Joint-Ball End, LH	43	3296-6	1	Nut-Lock
14:3	103-7994	1	Balljoint-RH	44	283-2	1	Pin-Clevis
14:4	3219-3	1	Nut-Hex	45	3219-3	1	Nut-Hex
14:5	3219-20	1	Nut-Hex, LH	46	1-806003	2	Pin-Cotter
15	92-9025	2	Spacer	48	322-3	2	Screw-HH
16	1-303007	2	Washer	49	103-8716-03	1	Switch-Flag
17	32151-48	2	E-Ring	50	103-2916	2	Guard-Top
18	3296-39	2	Nut-Lock, NI	51	98-5975	5	Washer-Belleville
19	323-9	2	Screw-HH	52	109-5491	1	Guide-Belt
20	109-0148	1	Spring-Extension	53	5-0652	1	Spacer

Engine, Muffler and Air Cleaner Assembly



Engine, Muffler and Air Cleaner Assembly (continued)

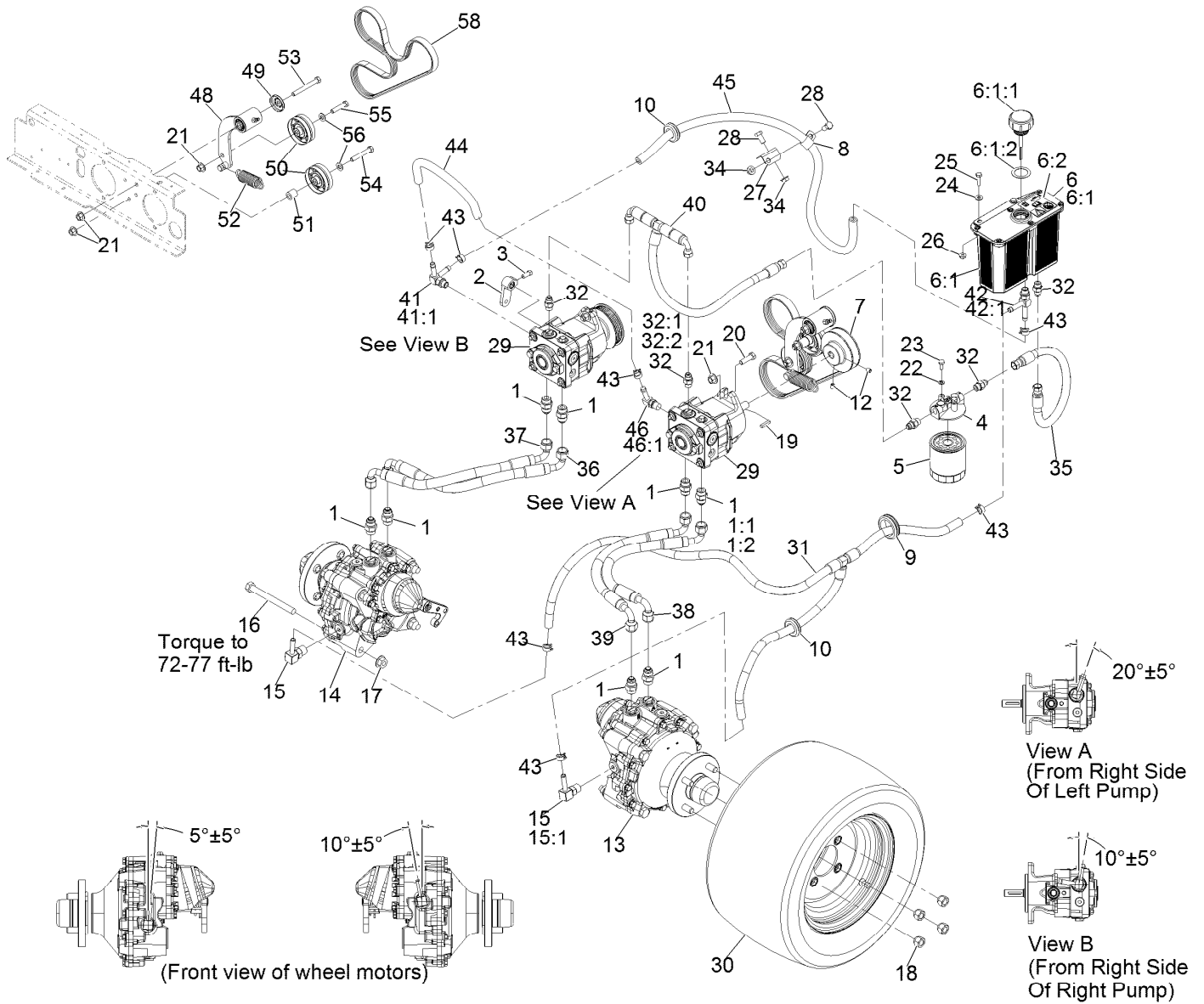
<i>Ref.</i>	<i>Part Number</i>	<i>Qty.</i>	<i>Description</i>	<i>Ref.</i>	<i>Part Number</i>	<i>Qty.</i>	<i>Description</i>
1		1	Engine-Kohler, Ch640-3164 ●	12	3290-357	4	Nut-HHF, Whiz
1:3	103-8569	1	Air Cleaner Canister ASM	13	98-5975	8	Washer-Belleville
1:4	2412-42	2	Clamp-Hose	14	323-9	4	Screw-HH
1:7	103-1058	1	Bracket-Filter, Air	15	109-0181-03	1	Shield-Exhaust
1:8	100-2436	1	Hood	16	323-4	4	Screw-HH
2	103-6731	1	Sheave-Engine	17	109-7896	1	Tie-Cable
3	103-7444	1	Muffler	18	116-5338	1	Oil Drain Hose ASM
4	103-6961	1	Hose-Air Intake	18:1	353-508	1	Plug-HH
5	103-3695-03	1	Bracket-Air Filter	18:1:1	237-42	1	O-Ring
6	32128-20	4	Nut-HF	20	116-1455	1	Fitting-Straight ■
7	322-3	4	Screw-HH	22	1-303335	3	Tie-Plastic
8	1-543610	1	Washer-Clutch	23	1-633396	1	Clip-Loom
9	1-603610	2	Washer-Spring	24	1-805005	4	Washer-Lock
10	3212-6	1	Screw-HH ▲	25	1-653291	2	Gasket-Exhaust
11	67-7490	1	Key-Square	26	33014-00	4	Nut-Hex
				27	126-4338	1	Screw-HH

● Not serviced separately

■ Use a Teflon Pipe Sealant or equivalent on threads.

▲ Use Pro-Lock, Nut Type (P/N 1-840022, .5ml tube) on threads.

Hydraulic Assembly

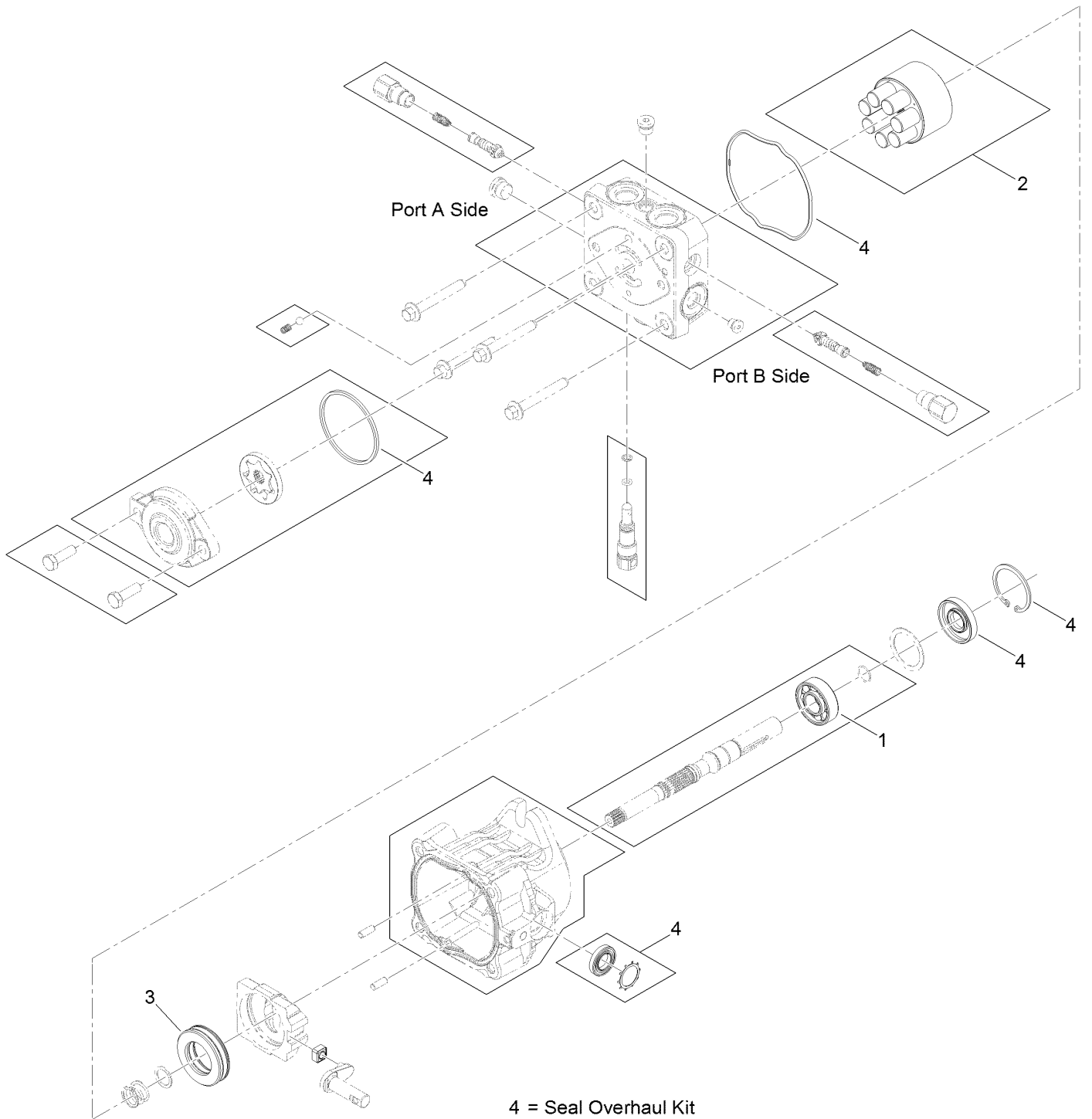


Hydraulic Assembly (continued)

<i>Ref.</i>	<i>Part Number</i>	<i>Qty.</i>	<i>Description</i>	<i>Ref.</i>	<i>Part Number</i>	<i>Qty.</i>	<i>Description</i>
1	1-603990	8	Adapter-Straight	28	323-4	2	Screw-HH 3/8-16 X 3/4
1:1	1-603920	1	O-Ring-Sae #8	29	116-7836	2	12Cc Hydro Pump ASM
1:2	1-603992	1	O-Ring-37 Flare #8	30	116-5634	2	Tire And Wheel ASM
2	1-632208	2	Arm-Control, Pump	31	116-7831	1	Hydraulic Hose ASM
3	120-6474	2	Screw-Set, SQH 5/16-18 X 3/4	32	103-2156	5	Adapter-Straight
4	104-7836	1	Filter-Head	32:1	1-603921	1	O-Ring-Sae #6
5	109-4180	1	Element, Oil Filter	32:2	103-1020	1	O-Ring-37 Flare #6
6	116-9274	1	Reservoir ASM	34	3290-357	2	Nut-Whizlock 3/8-16
6:1		1	Reservoir-HYD ●	35	126-4400	1	Hydraulic Hose ASM
6:1:1	116-9273	1	Reservoir Cap ASM	36	116-7827	1	Hydraulic Hose ASM
6:1:2	103-1949	1	Gasket-Cap	37	116-7828	1	Hydraulic Hose ASM
6:2	115-4212	1	Decal-Warning	38	116-7829	1	Hydraulic Hose ASM
7	103-4246	2	Sheave	39	116-7830	1	Hydraulic Hose ASM
8	1-633396	1	Clip-Loom 5/8	40	109-1264	1	Hydraulic Hose ASM
9	103-7706	1	Grommet	41	103-5469	1	Adapter-Tee Special
10	1-543286	2	Grommet	41:1	237-42	1	O-Ring
12	1-803310	4	Setscrew-5/16-18 X 3/8	42	103-1828	1	Adapter-Running Tee
13	116-7401	1	Motor-HYD, LH	42:1	237-42	1	O-Ring
14	116-7402	1	Motor-HYD, RH	43	103-1988	7	Clamp-Hose 11/16
15	354-134	2	Fitting-HYD, 90 DEG	44	103-5452	1	Hose-HYD
15:1	237-79	1	O-Ring	45	103-5477	1	Hose-HYD
16	325-19	8	Screw-HH 1/2-13 X 5	46	100-4887	1	Fitting-Barbed, 90 DEG
17	32128-49	8	Nut-Whizlock 1/2-13	46:1	237-42	1	O-Ring
18	242-50	8	Nut-Lug 1/2-20	48	103-7349	1	Short Idler ASM
19	1-807272	2	Key-5Mm X 5Mm X 25Mm	49	103-2916	1	Guard-Top
20	323-7	4	Screw-HH 3/8-16 X 1 1/4	50	116-6361	2	Pulley
21	32128-43	7	Nut-Whizlock 3/8-16	51	106-5574	1	Spacer-Mounting, Steering
22	1-805004	2	Washer-Lock 1/4 Heavy	52	1-653331	1	Spring
23	321-3	2	Screw-HH 1/4-20 X 5/8	53	323-20	1	Screw-HH 3/8-16 X 3-1/4
24	3256-22	2	Washer-1/4 Sae	54	323-12	1	Screw-HH 3/8-16 X 2 1/2
25	321-6	2	Screw-HH 1/4-20 X 1	55	323-9	1	Screw-HH 3/8-16 X 1 3/4
26	32128-33	2	Nut-Whizlock 1/4-20	56	3256-24	2	Washer-3/8 Sae
27	103-8631	1	Bracket-Clamp	58	103-4244	1	Belt

● Not serviced separately

Hydraulic Pump Assembly No. 116-7836

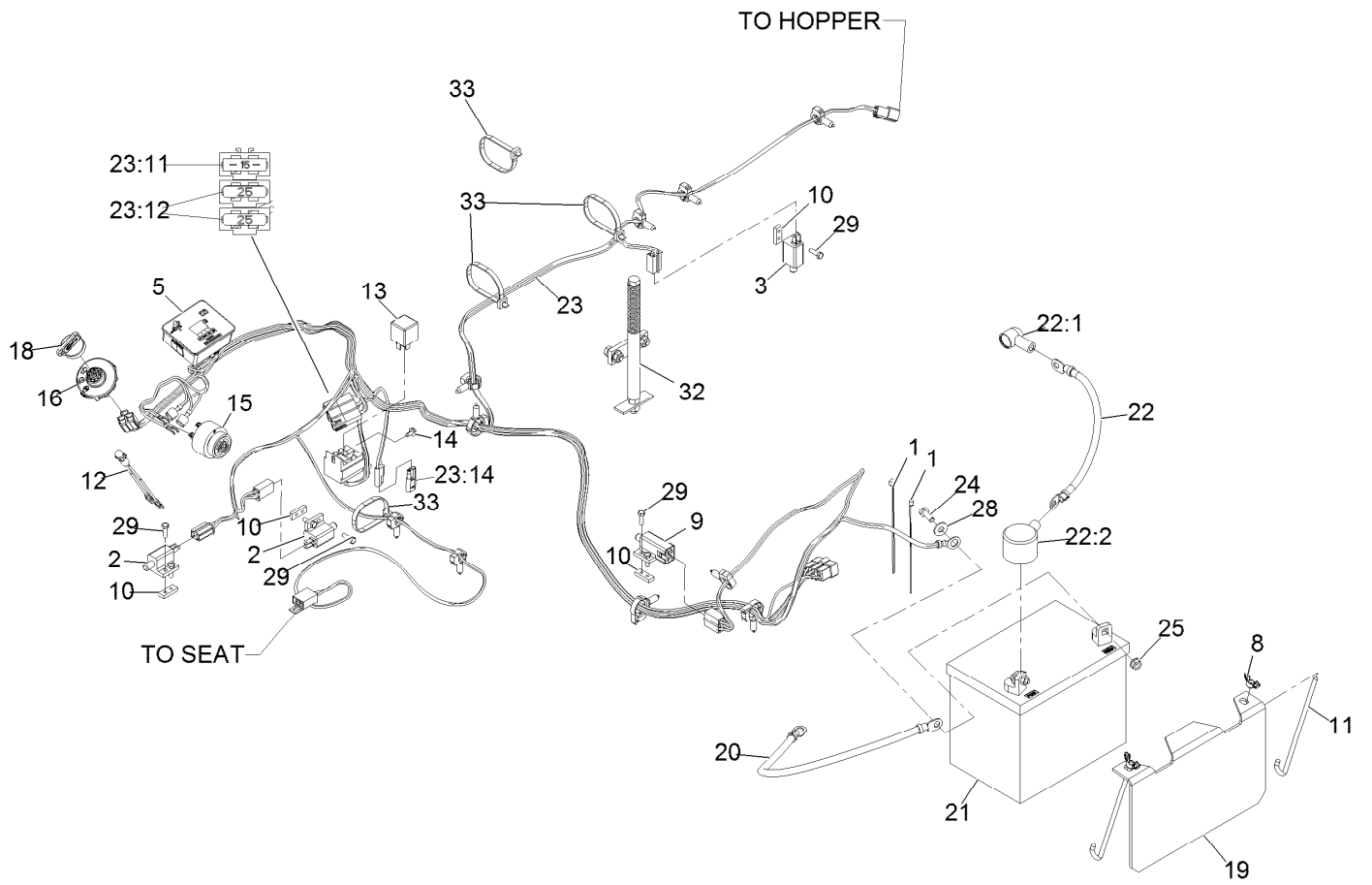


Hydraulic Pump Assembly No. 116-7836 (continued)

<i>Ref.</i>	<i>Part Number</i>	<i>Qty.</i>	<i>Description</i>
1	104-5311	1	Bearing-Ball
2	103-7443	1	Cylinder Block Kit

<i>Ref.</i>	<i>Part Number</i>	<i>Qty.</i>	<i>Description</i>
3	121-3235	1	Bearing-Thrust, Plastic Cage
4	105-6184	1	Seal Overhaul Kit

Electrical Assembly



Electrical Assembly (continued)

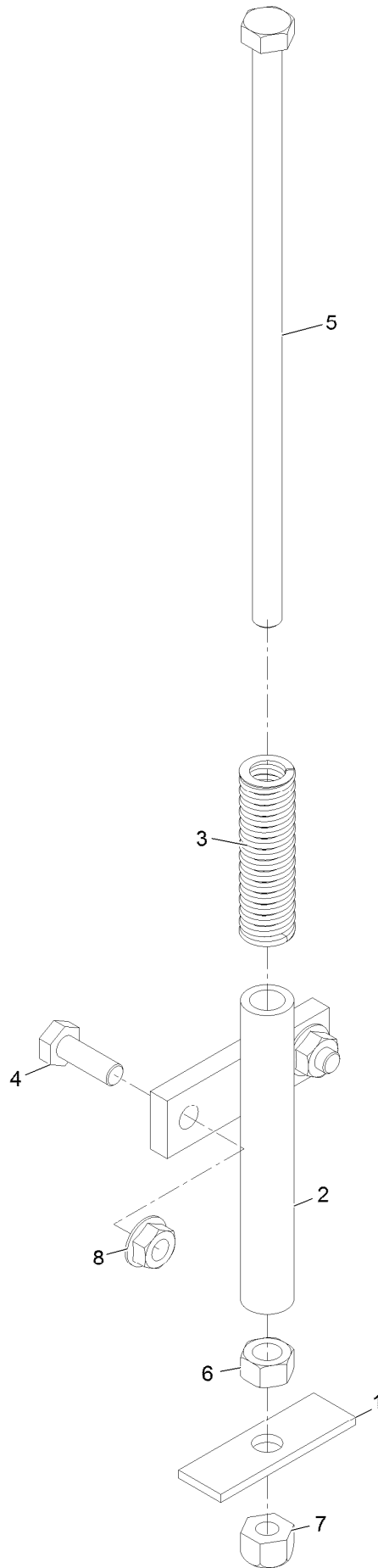
<i>Ref.</i>	<i>Part Number</i>	<i>Qty.</i>	<i>Description</i>	<i>Ref.</i>	<i>Part Number</i>	<i>Qty.</i>	<i>Description</i>
1	1-303287	2	Tie-Cable 5 1/2 (Small)	21		1	Battery (300 Cca, Wet) ●■
2	1-513051	2	Switch-N.O.	22	116-4730	1	Cable-Battery, Positive
3	1-513152	1	Switch-N.C.	22:1	1-543393	1	Insulator-Solenoid
5	116-8812	1	Hour Meter ASM	22:2	109-2407	1	Insulator-Battery
8	1-543792	2	Wingnut-Nyloc 1/4-20	23	116-9114	1	Harness-Wiring ▲
9	1-633111	1	Switch	23:11	109355	1	Fuse-Blade, 15 Amp
10	1-633181	4	Plate-Tapped	23:12	109102	2	Fuse-Blade, 25 Amp
11	1-633651	2	Bolt-Holddown	23:14	116-0053	1	Cap-Plug
12	1-643267	1	Indicator-Red Led	24	321-4	4	Screw-HH 1/4-20 X 3/4
13	1-643275	1	Relay-12Vdc 40 Amp	25	32128-33	4	Nut-Whizlock 1/4-20
14	104-2065	1	Screw-HWH #10-24 X 3/8	28	3256-2	2	Washer-1/4 Std
15	103-0205	1	Alarm-Dual Tone 12Vdc	29	3290-134	8	Screw-HH Machine 10-24 X 5/8
16	117-2221	1	Switch-Ignition	32	103-8528	1	Hopper Switch Actuator ASM
18	103-2106	1	Key-Exmark Logo	33	1-303335	4	Tie-Cable 7 15/16 (Large)
19	103-4161-03	1	Hold Down-Battery				
20	103-8355	1	Cable-Ground(-)				

● Obtain locally.

■ Not serviced separately

▲ Use dielectric grease on all unsealed connectors and terminals only. Do not apply in sealed connectors.

Hopper Switch Actuator Assembly No. 103-8528



Hopper Switch Actuator Assembly No. 103-8528 (continued)

<i>Ref.</i>	<i>Part Number</i>	<i>Qty.</i>	<i>Description</i>	<i>Ref.</i>	<i>Part Number</i>	<i>Qty.</i>	<i>Description</i>
1	1-513180	1	Plate-Switch, Seat	5	322-50	1	Screw-HH 5/16-18 X 7 1/2
2	1-522424-03	1	Mount-Spring, Seat	6	3217-6	1	Nut-Hex 5/16-18
3	1-523415	1	Spring	7	3296-29	1	Nut-Nyloc 5/16-18
4	321-4	2	Screw-HH 1/4-20 X 3/4	8	32128-33	2	Nut-Whizlock 1/4-20

Notes:

EXMARK® MAINTENANCE

MAXIMIZE THE PERFORMANCE OF YOUR EXMARK.

4-CYCLE PREMIUM ENGINE OIL

Part No. 116-3373

Both SAE 30 and SAE 10W-30 in one bottle.

Contains increased levels of zinc and phosphorus for better lubricity.

No Viscosity Index Improvers that tend to shear down in high heat.

Synthetic formulation.

Gas & Diesel compatible.

Anti-corrosion additives.

API 'SL' and JASO rated with wet clutch compatibility for other machines.

PREMIUM HYDRO OIL

Part No. 109-9828

Commercial quality for tough, high-heat conditions.

Designed specifically for zero-turn mower hydraulic systems.

Superior shear resistance under heavy loads.



Available from your local Exmark dealer. Find your closest dealer at exmark.com

EXMARK ACCESSORIES AND OPTIONS*

MID-MOUNT RIDING ACCESSORIES AND OPTIONS

CUSTOM RIDE SEAT SUSPENSION SYSTEM	OPERATOR CONTROLLED DISCHARGE
FULL SUSPENSION SEAT	SUN SHADE
DECK LIFT ASSIST KIT	TRASH CONTAINER
HITCH KIT	TURF STRIPER
LIGHT KIT	ULTRA VAC COLLECTION SYSTEM
12V POWER PORT	ULTRA VAC QUICK DISPOSAL SYSTEM
MICRO-MULCH SYSTEM	

OUT-FRONT RIDING ACCESSORIES AND OPTIONS

CUSTOM RIDE SEAT SUSPENSION SYSTEM	SNOW BLADE
DUAL-TAIL WHEEL	SNOWBLOWER
FLOOR PAN EXTENDER	SUN SHADE
HITCH KIT	TRASH CONTAINER
LIGHT KIT	ULTRA VAC COLLECTION SYSTEM
MICRO-MULCH SYSTEM	ULTRA VAC QUICK DISPOSAL SYSTEM
ROLL OVER PROTECTION SYSTEM (ROPS)	WEATHER CAB

WALK-BEHIND ACCESSORIES AND OPTIONS

GRASS CATCHER	TURF STRIPER
MICRO-MULCH SYSTEM	STANDON

*Some accessories and options not available for some models.

Place Model No. and Serial No.
Label Here (Included in the Literature
Pack) or Fill in Below

Model No. _____

Serial No. _____

Date Purchased _____

Engine Model No. and Spec. No. _____

Engine Serial No. (E/No) _____

© 2015 Exmark Mfg. Co., Inc.
Industrial Park Box 808
Beatrice, NE 68310
All Rights Reserved

Part No. 4502-158 Rev. A
(402) 223-6300
Fax (402) 223-5489
Printed in the USA.

