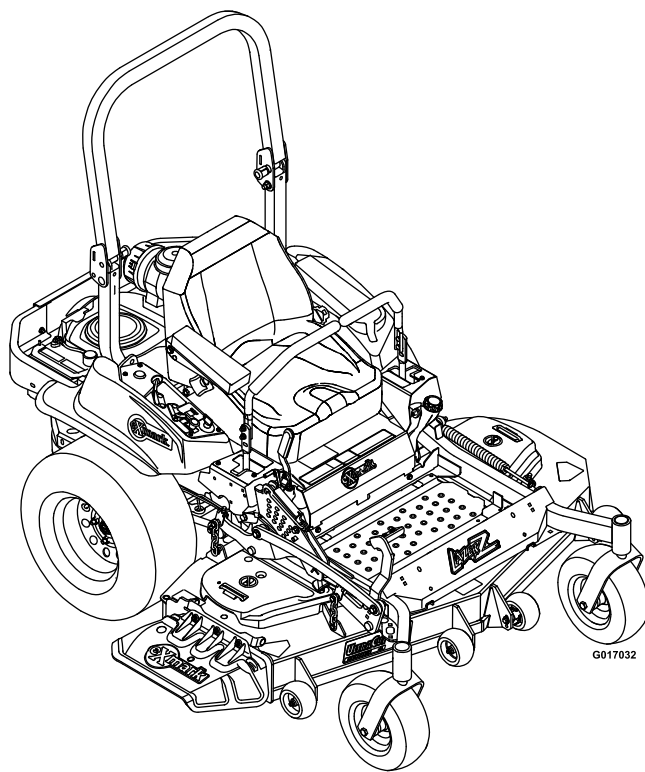




LAZER Z[®] S-SERIES

Model No. LZS740EKC52400—Serial No. 31500000 and Up

Picture below may not reflect actual product.



Parts Manual

Ordering Replacement Parts

To order replacement parts, please supply the part number, the quantity, and the description of each part desired.

Understanding Reference Numbers

Each identified part in an illustration has a reference number. The reference number for a part also appears in the parts list, along with other information about the part.

This catalog uses two special reference number formats, one to indicate parts in a service assembly and another to indicate the quantity of a given part in an illustration.

Service Assembly Reference Numbers

Parts in service assemblies have reference numbers in the form a:b. The a represents the reference number of the entire service assembly and the b represents a sequential number unique to each part within the service assembly.

For example, a wheel assembly might be identified by reference number 6, the tire by 6:1, the valve by 6:2, and the wheel by 6:3. When you order the assembly identified by reference number 6, you receive all parts identified by reference numbers 6:1, 6:2, and 6:3. However, you may also order any part individually. Reference numbers of this type appear in illustration and in parts lists.

Reference Numbers Indicating Quantity

In an illustration, if a reference number indicates more than one part, the reference number has the form nX y. The n represents the quantity of the part, the X is the multiplication symbol, and the y represents the reference number.

For example, in an illustration, the reference number 2X 37 means that two of the parts identified by reference number 37 are indicated.

List of Abbreviations

AR: as required	HLH: hex lag head	PTH: phillips truss head
ASM: assembly	HOC: height-of-cut	PTO: power-take-off
BBC: blade brake control	HP: high pressure	RH: right hand
BHTF: button head thread forming	HSBH: hex socket button head	ROPS: roll-over protection system
CARR: carriage	HSFH: hex socket flat head	RRB: rear roller brush
CCW: counter clockwise	HSH: hex socket head	SFH: slotted fillister head
CW: clockwise	HWH: hex washer head	SHH: slotted hex head
DEG: degrees	HWHTF: hex washer head thread forming	SHWH: slotted hex washer head
DPA: Dual Point Adjustment	HYD: hydraulic	SPH: slotted pan head
ECM: electronic control module	LH: left hand	SQH: square head
EXT: external	LP: low pressure	SRH: slotted round head
FH: flat head	LPG: Liquefied Petroleum Gas	STD: standard
GA: gauge	NI: nylon insert	TAP: self tapping
HD: heavy-duty	NPTF: national pipe thread fine	TTH: torx truss head
HF: hex flange	PFH: phillips flat head	
HH: hex head	PPH: phillips pan head	
HHF: hex head flange	PPHTF: phillips pan head thread forming	
HHFTF: hex head flange thread forming	PRH: phillips round head	
HJ: hex jam		

Touch Up Paint

Exmark black touch up spray paint – gloss black.

Exmark red touch up paint (spray paint – P/N 1-850337 - .6 oz liquid bottle – P/N 103-9140).

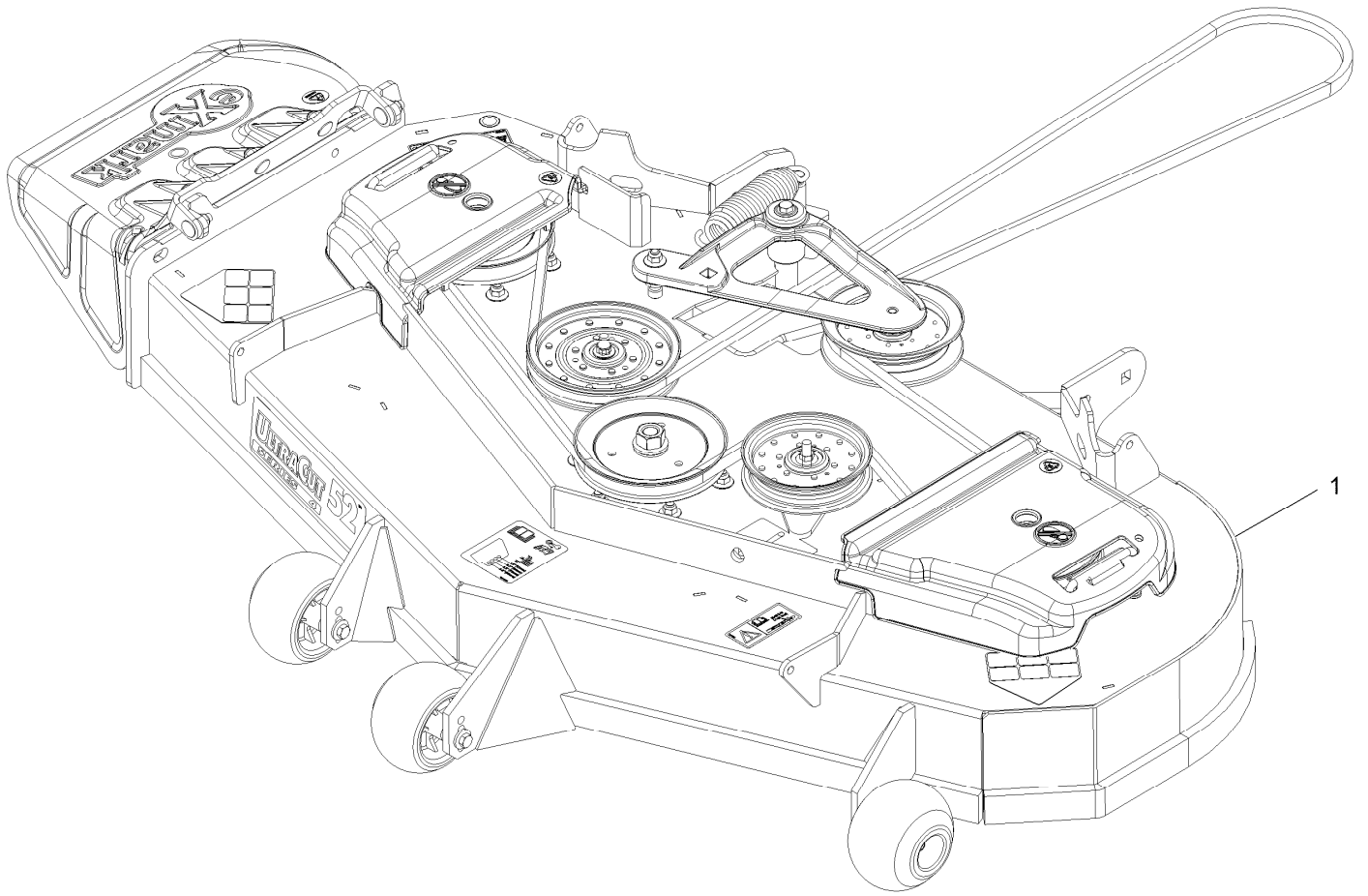


If your Exmark dealer does not have the Exmark part in stock, Exmark will get the parts to the dealer the next business day or the part will be FREE Guaranteed!! (Some restrictions apply. See your participating Exmark Dealer for details.)

Contents

Complete Deck Assembly.....	4
Deck Assembly.....	6
Deck W/Decals Assembly No. 109-9149.....	8
Deck Idler Assembly No. 116-3755.....	10
Main Frame Assembly.....	12
S-Series Decal.....	14
Roll-Over Protection System.....	16
Roll-Over Protection System Assembly No. 116-0230.....	18
Front Caster and Fork Assembly.....	20
Caster Wheel and Fork Assembly.....	22
Deck Lift Assembly.....	24
Height-of-Cut Assembly No. 109-7438.....	26
Control Assembly.....	28
Motion Control Assembly.....	30
Park Brake Assembly.....	32
Rear Wheel Assembly.....	34
Seat Assembly.....	36
Seat W/Tracks Assembly No. 116-4474.....	38
Fuel Tank Mounting Assembly.....	40
Fuel Tank Assembly No. 116-3979.....	42
Engine Assembly.....	44
Hydraulic Assembly.....	46
LH Hydro Assembly No. 126-1321.....	48
RH Hydro Assembly No. 126-1322.....	50
Pump Idler Assembly No. 116-1255.....	52
Electrical Assembly.....	54

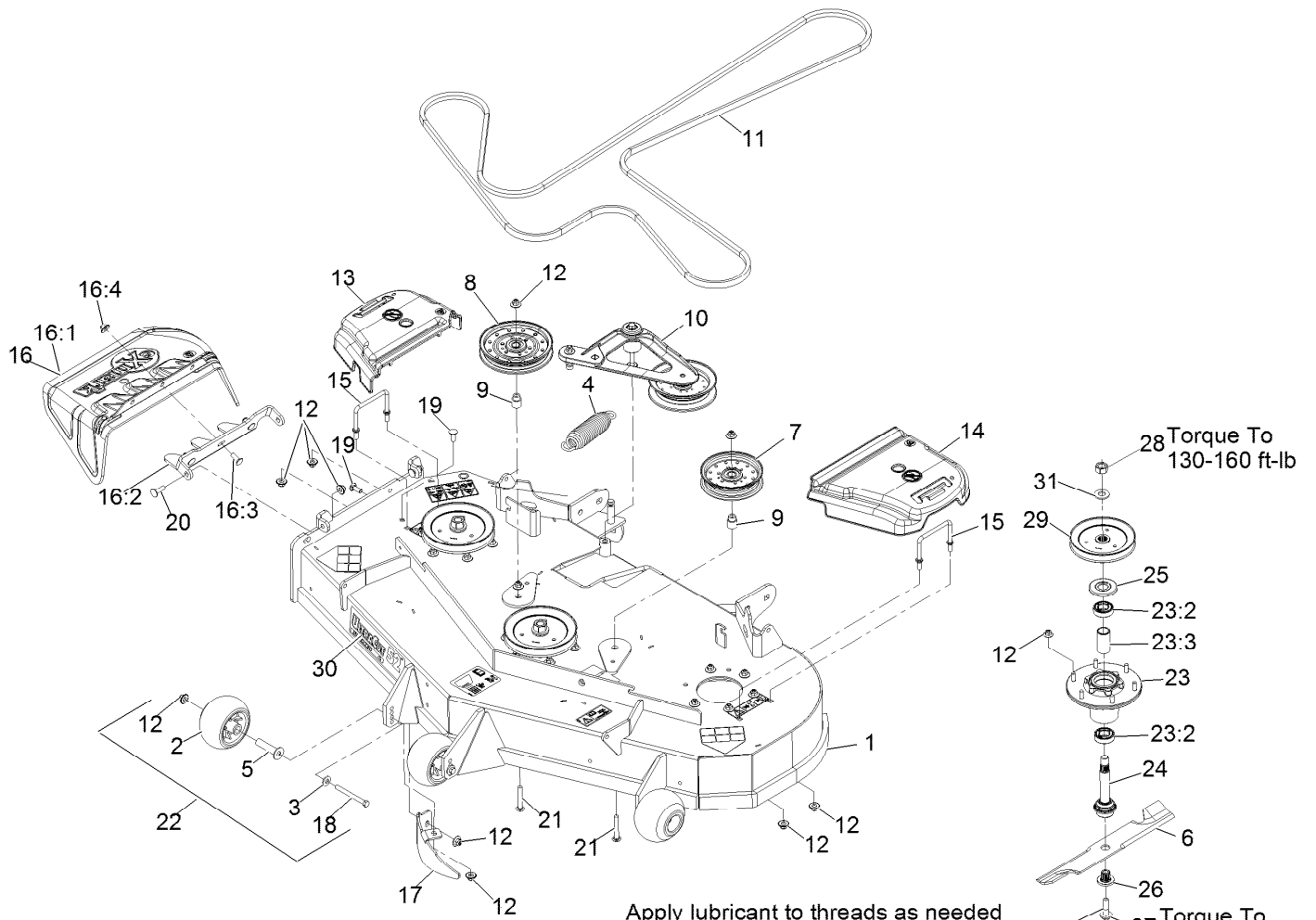
Complete Deck Assembly



Complete Deck Assembly (continued)

<i>Ref.</i>	<i>Part Number</i>	<i>Qty.</i>	<i>Description</i>
1	116-3598	1	ASM,524 Deck Complete

Deck Assembly



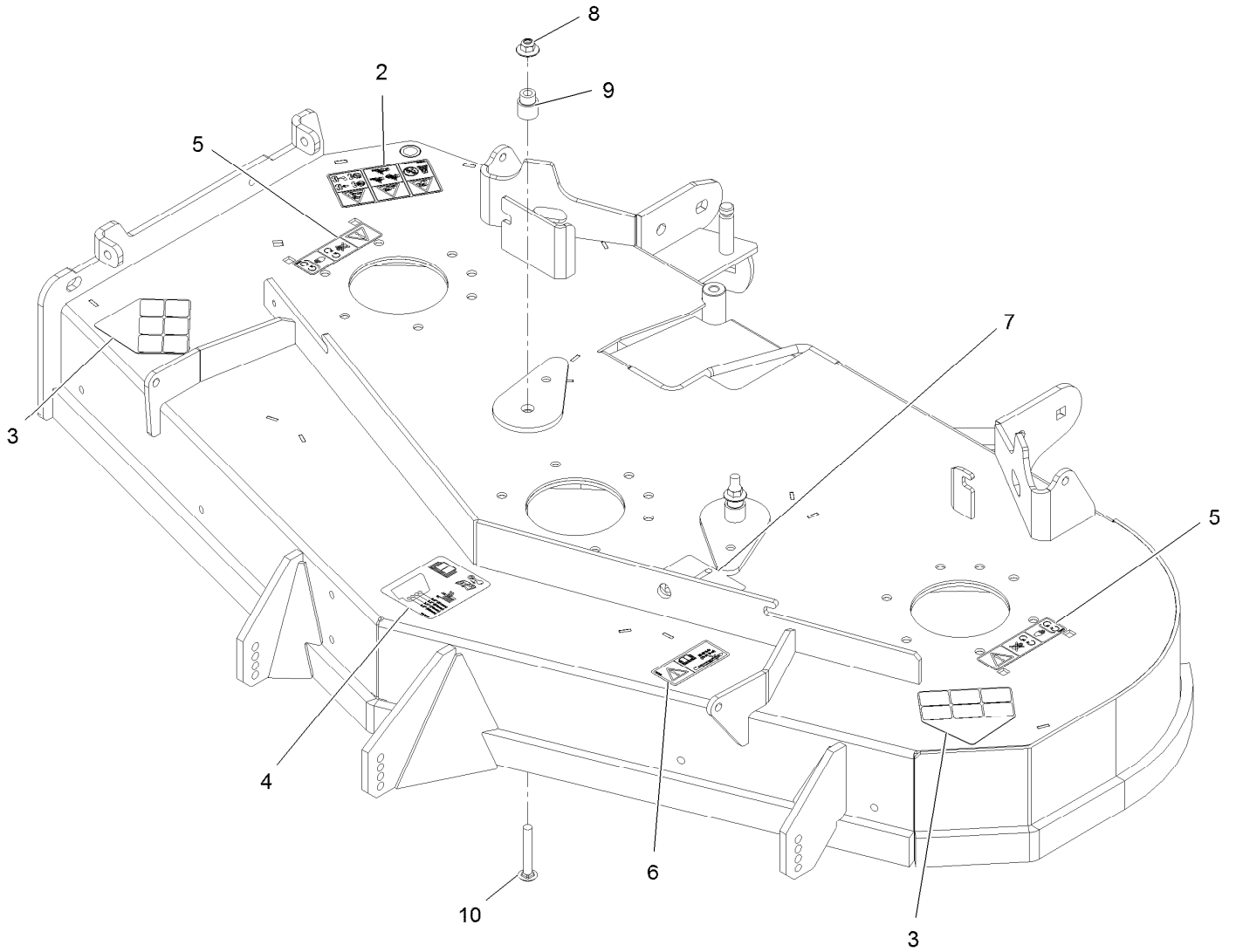
Apply lubricant to threads as needed to prevent seizing. Copper based anti-seize preferable. Grease is an acceptable substitute.

Deck Assembly (continued)

<i>Ref.</i>	<i>Part Number</i>	<i>Qty.</i>	<i>Description</i>	<i>Ref.</i>	<i>Part Number</i>	<i>Qty.</i>	<i>Description</i>
1	109-9149	1	ASM,Deck W/ Decals 52	16:2	109-8675-01	1	Bracket,Discharge Chute
2	103-8415	3	Roller-Anti-Scalp	16:3	3231-22	3	Bolt-Carriage 3/8-16 X 1
3	98-5975	3	Washer-Spring Disc 3/8	16:4	109-6658	3	Nut-Nyloc 3/8-16 Flg
4	116-6317	1	Spring-Extension	17	116-5814-01	1	Baffle-Dogleg, Lz-Vt52
5	116-8131	3	Axle, Roller	18	116-9362	3	Screw-HH
6	116-5175	3	Blade-Extreme 2, 18.00"	19	3231-22	2	Bolt-Carriage 3/8-16 X 1
6	103-6402	3	Blade-Notched	20	3231-28	2	Bolt-Carriage 3/8-16 X 1 1/4
6	103-6392	3	Blade, Mulching ●	21	3231-44	2	Bolt-Carriage 3/8-16 X 2 1/2
6	103-6387	3	Blade, Low Lift	22	116-9981	3	Kit, Anti-Scalp Roller
6	103-6382	3	Blade, Solid	23	116-3344	3	ASM-Cutter Hsg With Bearings
7	116-4665	1	Idler-Pulley, Flat				
8	116-4667	1	Idler-Pulley, Flat	23:2	116-0720	2	Bearing-Ball
9	1-633456	2	Bushing, Idler	23:3	116-3312	1	Spacer-Bearing
10	116-3755	1	Deck Idler ASM	24	116-3341	3	ASM-Spindle And Seal
11	109-4994	1	Belt,V-B X 186.00"	25	116-1286	3	Guard,Bearing Top .989
12	109-6658	31	Nut-Nyloc 3/8-16 Flg	26	103-3037	3	Bushing, Splined
13	109-6935	1	Cover-Belt, RH	27	109-9220	3	Screw-Sems 1/2-20 X 2.19
14	109-6936	1	Cover-Belt, LH	28	116-7306	3	Nut-Hex
15	109-6982	2	Wireform-Cover	29	116-0675	3	Sheave,Blade Drive 6.50
16	109-7188	1	ASM,Discharge Chute	30	116-0034	1	Decal,Ultracut 52 Series 4
16:1	109-2738	1	Chute, Discharge	31	103-2802	3	Washer-Spring Disc 3/4

● Requires installation of mulch kit for proper mulching. See your Exmark dealer for details.

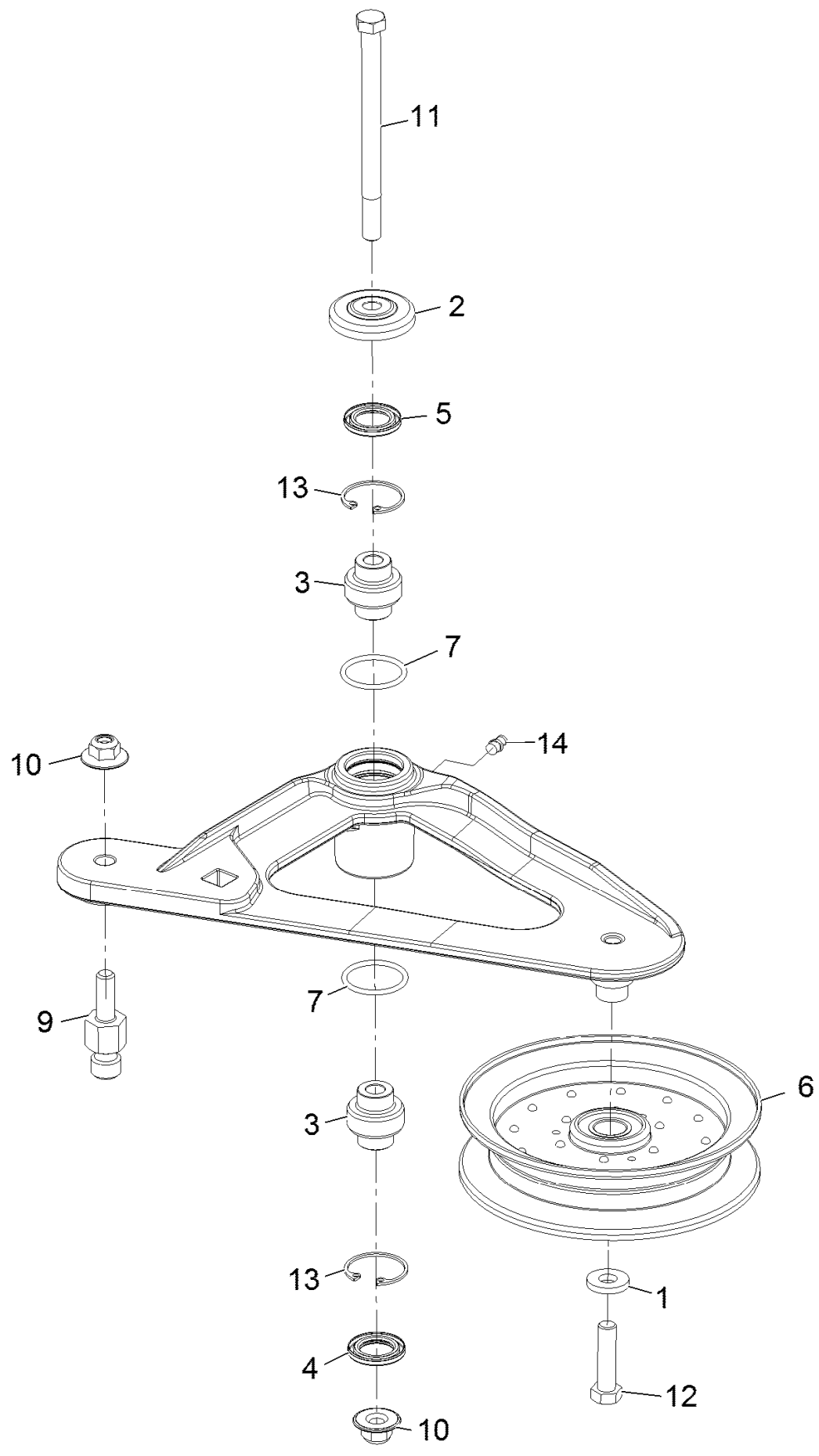
Deck W/Decals Assembly No. 109-9149



Deck W/Decals Assembly No. 109-9149 (continued)

<i>Ref.</i>	<i>Part Number</i>	<i>Qty.</i>	<i>Description</i>	<i>Ref.</i>	<i>Part Number</i>	<i>Qty.</i>	<i>Description</i>
2	117-3848	1	Decal-Danger	7	116-8727	1	Decal-Belt Routing
3	93-7316	2	Decal-Danger	8	109-6658	2	Nut-Nyloc 3/8-16 Flg
4	109-6036	1	Decal-Roller, Anti-Scalp	9	1-633456	2	Bushing, Idler
5	112-9028	2	Decal-Cover Missing	10	3231-44	2	Bolt-Carriage 3/8-16 X 2 1/2
6	116-8283	1	Decal-Bolt Torque				

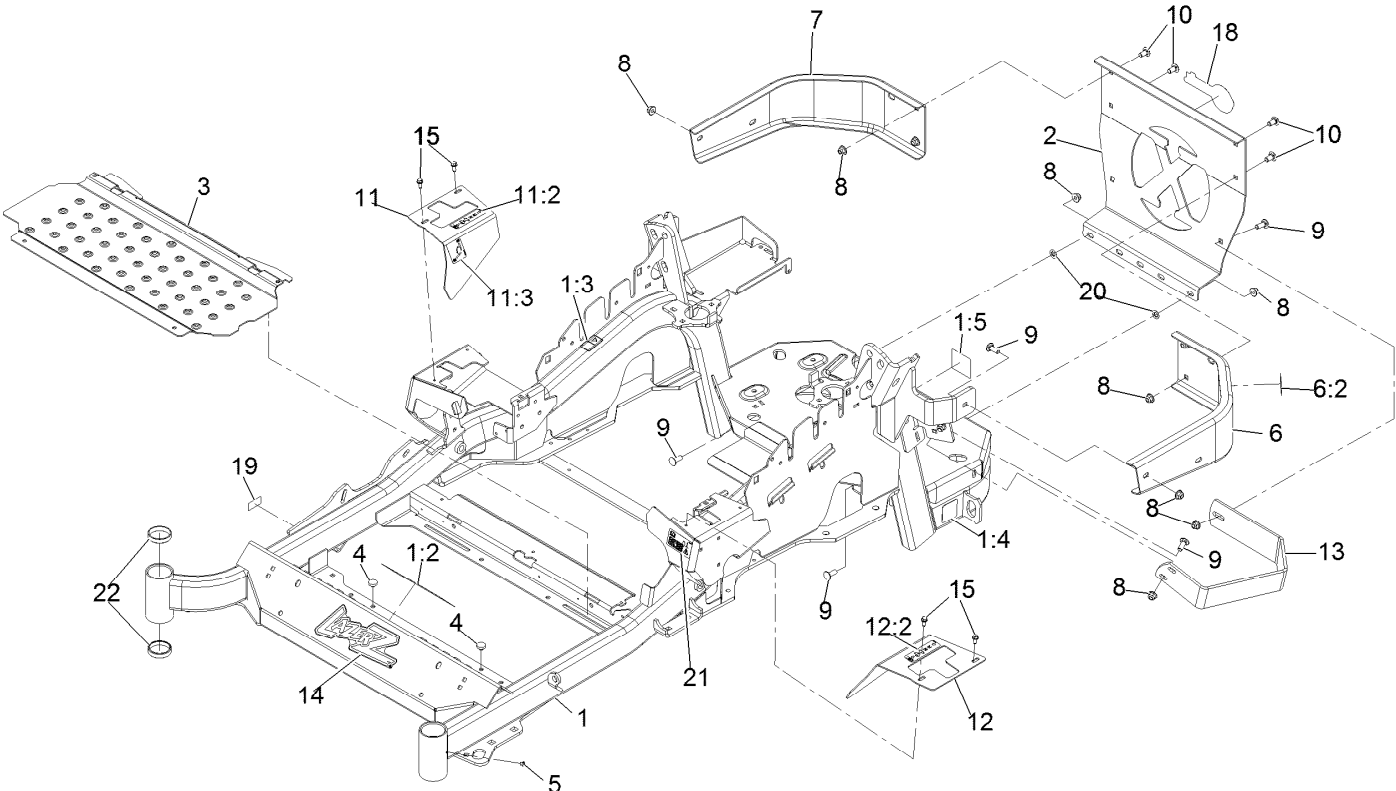
Deck Idler Assembly No. 116-3755



Deck Idler Assembly No. 116-3755 (continued)

<i>Ref.</i>	<i>Part Number</i>	<i>Qty.</i>	<i>Description</i>	<i>Ref.</i>	<i>Part Number</i>	<i>Qty.</i>	<i>Description</i>
1	43-0940	1	Spacer	9	126-0423	1	Pin-Spring, Anchor
2	103-2916	1	Guard-Top	10	109-6658	2	Nut-Nyloc 3/8-16 Flg
3	103-3504	2	Bearing-Spherical	11	109-7409	1	Screw-Shoulder 3/8-16 X 5
4	103-3505	1	Seal-Double Lip	12	323-8	1	Screw-HH 3/8-16 X 1 1/2
5	103-3506	1	Seal-Single Lip	13	32120-10	2	Ring-Retaining
6	116-4668	1	Idler-Pulley, Flanged	14	302-19	1	Zerk-1/4-28 Str
7	106-7159	2	O-Ring				

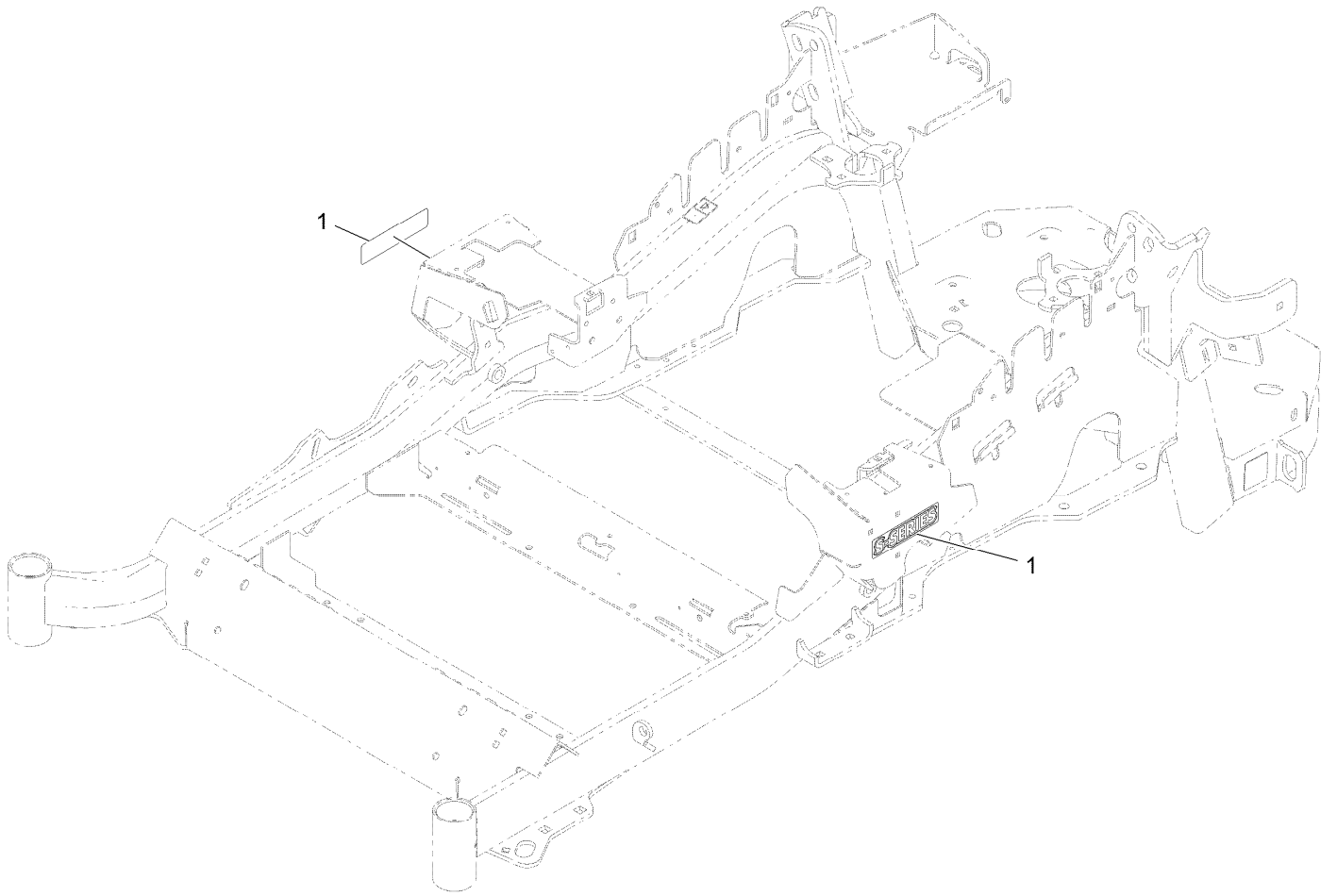
Main Frame Assembly



Main Frame Assembly (continued)

<i>Ref.</i>	<i>Part Number</i>	<i>Qty.</i>	<i>Description</i>	<i>Ref.</i>	<i>Part Number</i>	<i>Qty.</i>	<i>Description</i>
1	116-5900	1	Mainframe ASM	11	116-5899	1	RH Motion Control Cover ASM
1:2	127-0335	1	Decal - Warning, Slope	11:2	99-8936	1	Decal-Control, Motion
1:3	106-5517	2	Decal-Warning, Hot Surface	11:3	116-5988	1	Decal-Park Brake, Ce
1:4	106-2655	2	Decal-Hazard, Pinched Finger	12	116-0580	1	LH Motion Control Cover ASM
1:5	116-4858	1	Decal-Spark Arrester	12:2	99-8936	1	Decal-Control, Motion
2	109-8863-03	1	Plate,Rear Guard	13	126-2067-03	1	Guard-Muffler
3	116-8898-01	1	Floorpan	14	103-3113	1	Decal, Lazer Model
4	1-513658	2	Bumper	15	32144-10	4	Screw-HWH 1/4-20 X .62
5	1-811010	2	Plug	18	103-2883	1	Decal, Exmark Logo
6	116-0180	1	LH Bumper ASM	19	126-4345	1	Decal-Patent Ttco.Com
6:2	106-5517	1	Decal-Warning, Hot Surface	20	107-3154	2	Nut-Push 3/8-16
7	116-0057-03	1	Bumper-RH	21	117-3864	1	Decal-Fuel Fill, Ce
8	104-8301	11	Nut-Nyloc 3/8-16 Flg	22	1-543508	4	Cup-Bearing Tapered Roller
9	3231-22	7	Bolt-Carriage 3/8-16 X 1				
10	3231-21	4	Bolt-Carriage 3/8-16 X 3/4				

S-Series Decal



S-Series Decal (continued)

<i>Ref.</i>	<i>Part Number</i>	<i>Qty.</i>	<i>Description</i>
1	116-3884	2	Decal-S-Series

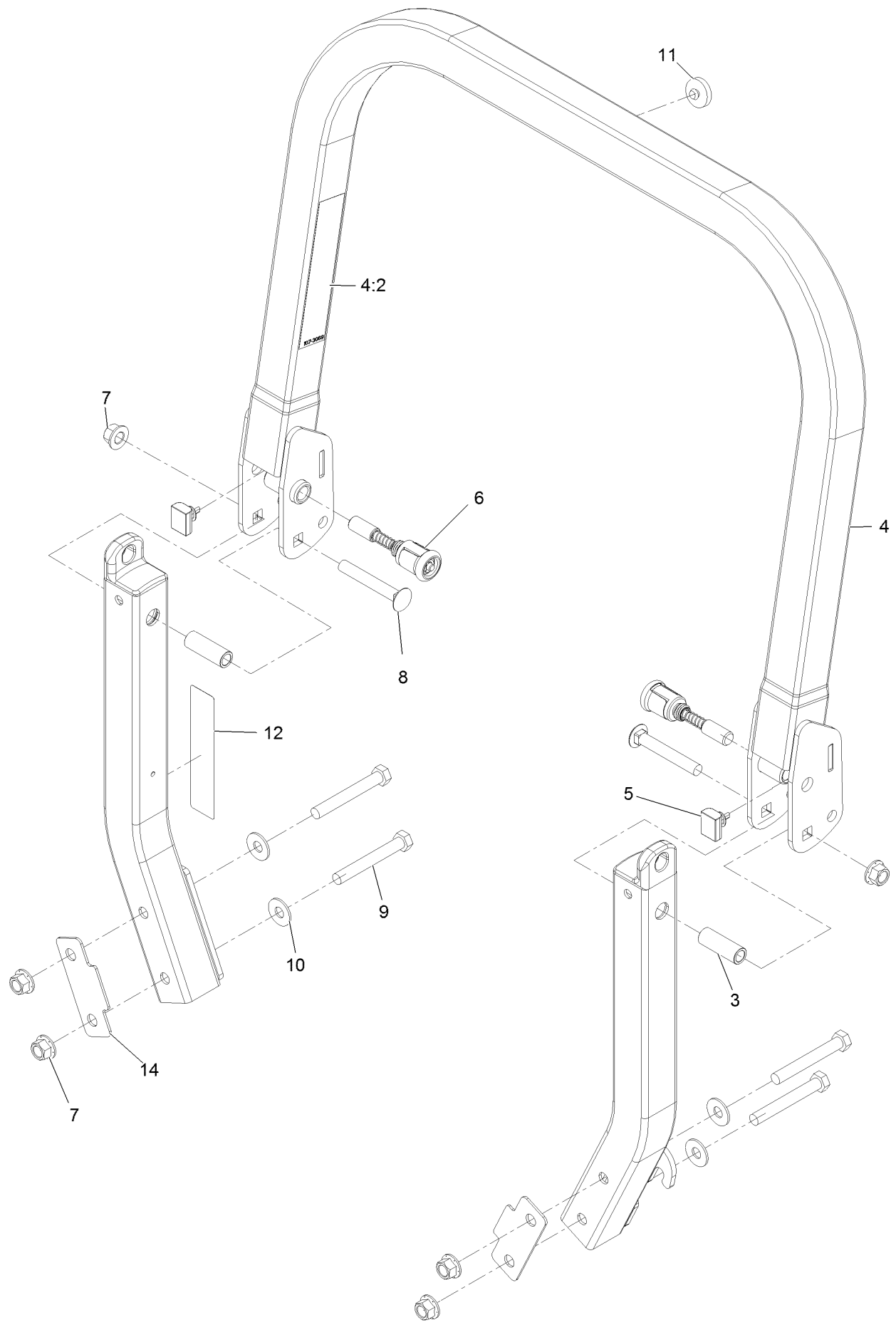
Roll-Over Protection System



Roll-Over Protection System (continued)

<i>Ref.</i>	<i>Part Number</i>	<i>Qty.</i>	<i>Description</i>
1	116-0230	1	ASM,ROPS Service Exmark

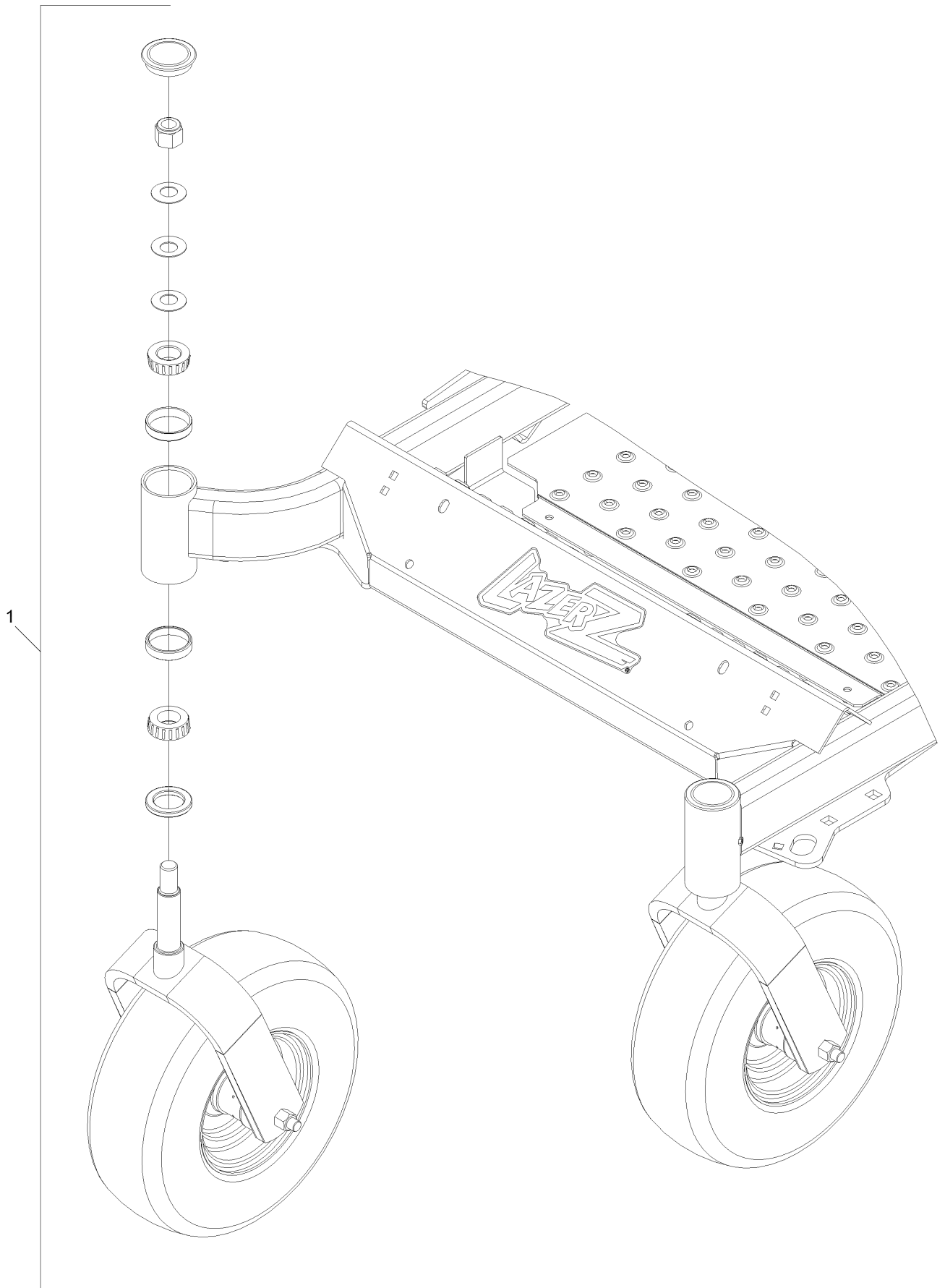
Roll-Over Protection System Assembly No. 116-0230



Roll-Over Protection System Assembly No. 116-0230 (continued)

<i>Ref.</i>	<i>Part Number</i>	<i>Qty.</i>	<i>Description</i>	<i>Ref.</i>	<i>Part Number</i>	<i>Qty.</i>	<i>Description</i>
3	109-6653	2	Spacer	8	3233-10	2	Bolt-Carriage 1/2-13 X 3 1/2
4	116-0019	1	Upper ROPS ASM	9	325-35	4	Screw-HH
4:2	107-3069	1	Decal-Warning, Folding ROPS	10	109-9505	4	Washer, Spring Disc 1/2
5	109-5337	2	Bumper-ROPS	11	109-9233	1	Bumper-Push-In, Rubber
6	116-0104	2	Pin-Spring	12	117-0346	1	Decal-Caution, Fuel Vent
7	99-5107	6	Nut-Lock 1/2-13	14	116-0960	2	Spacer

Front Caster and Fork Assembly

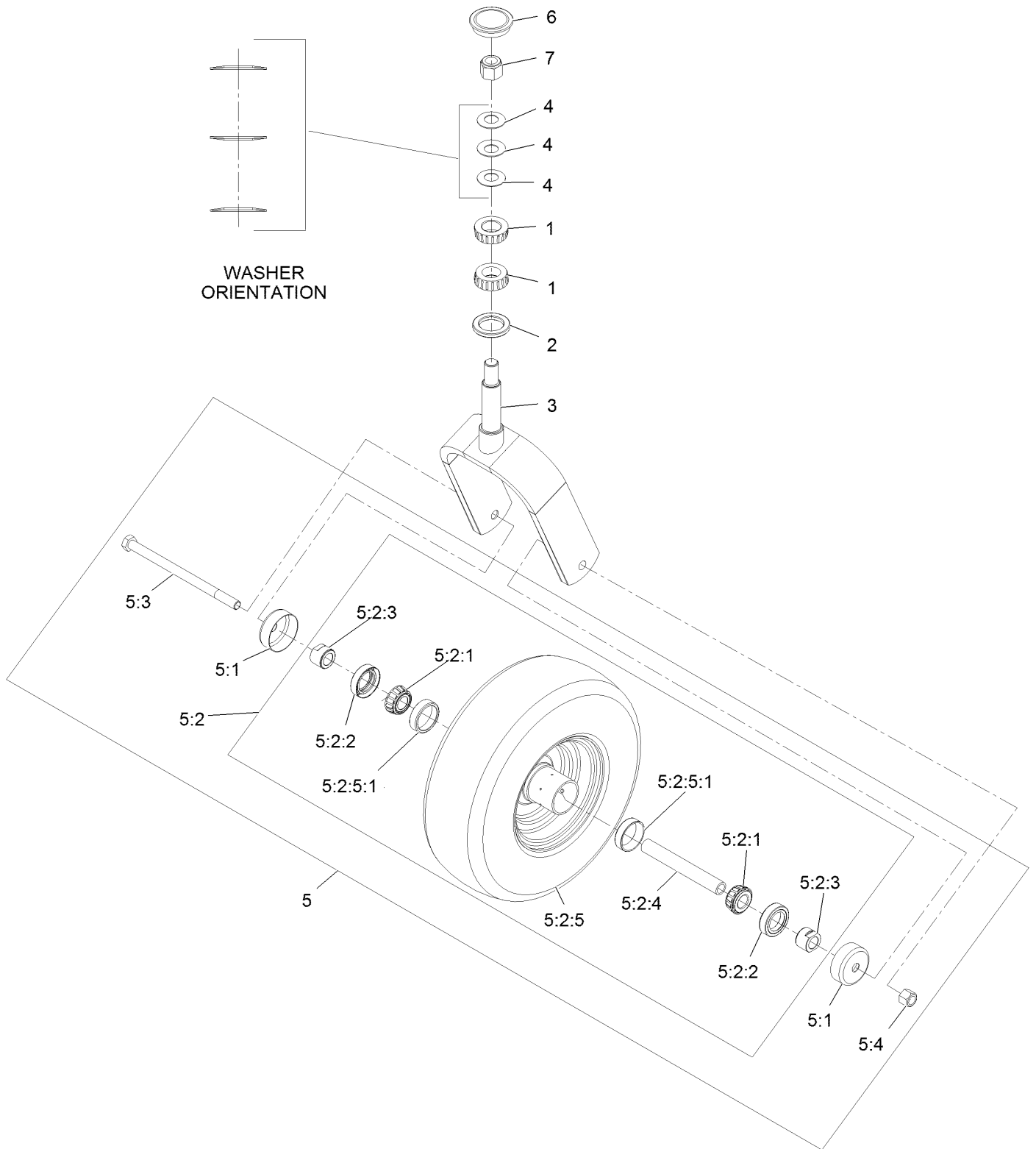


Front Caster and Fork Assembly (continued)

<i>Ref.</i>	<i>Part Number</i>	<i>Qty.</i>	<i>Description</i>
1		2	Front Caster And Fork ASM
			●

● Not serviced separately

Caster Wheel and Fork Assembly



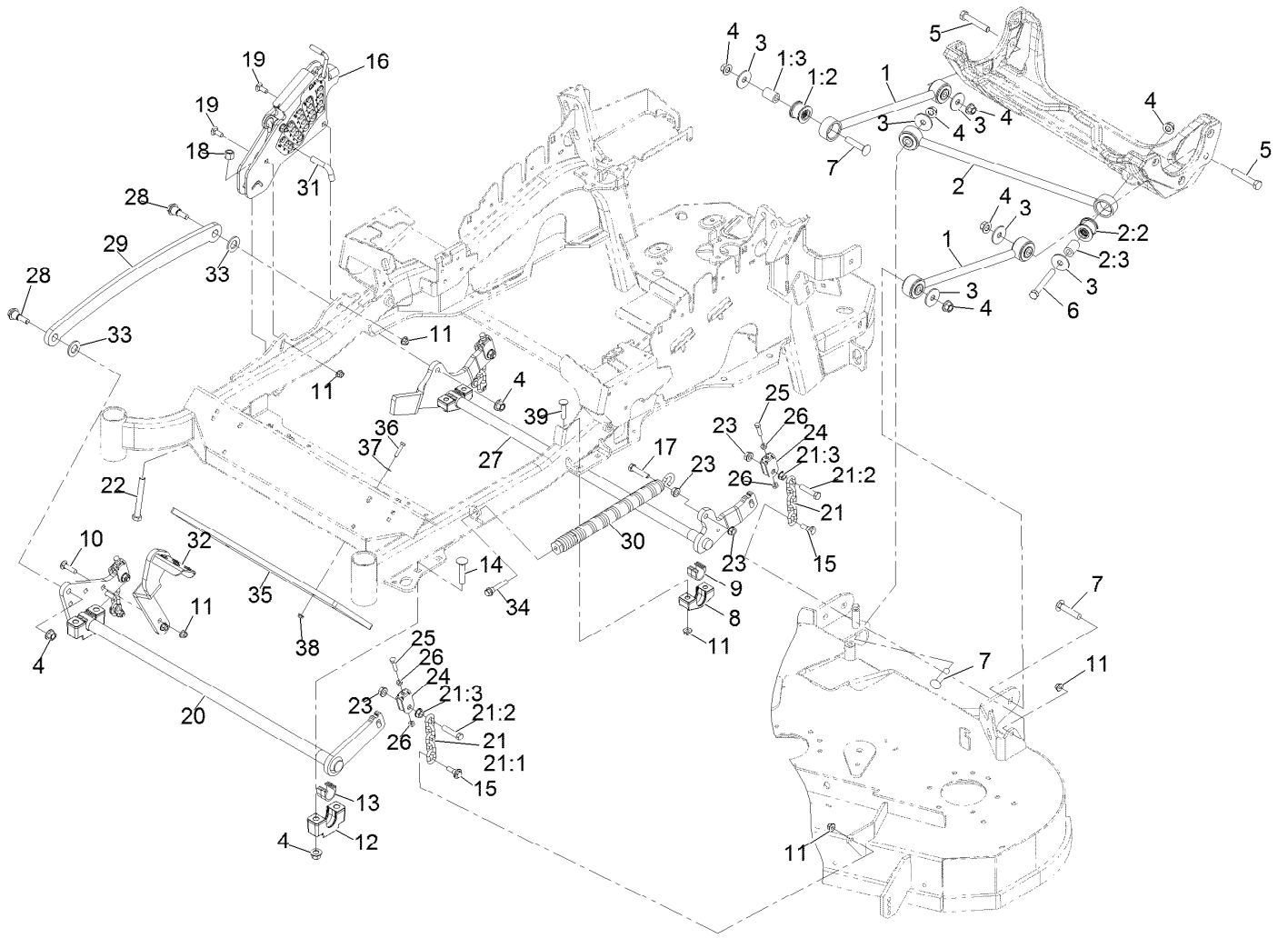
Caster Wheel and Fork Assembly (continued)

<i>Ref.</i>	<i>Part Number</i>	<i>Qty.</i>	<i>Description</i>	<i>Ref.</i>	<i>Part Number</i>	<i>Qty.</i>	<i>Description</i>
1	1-543509	2	Cone-Bearing Tapered Roller	5:2:2	103-0063	2	Seal-Double Lip
2	116-5647	1	Seal-Grease	5:2:3	103-3051	2	Spacer-Nut ■
3	116-6703-01	1	Weld, Fork	5:2:4	103-3155	1	Axle-Caster
4	1-633508	3	Washer-Spring Disc	5:2:5		1	Wheel And Tire ASM ●
5	109-9126	1	Wheel & Tire ASM	5:2:5:1	1-633584	1	Bearing-Cup
5:1	103-2768	2	Guard-Seal	5:3	325-42	1	Screw-HH 1/2-13 X 8
5:2		1	Wheel And Tire ASM ●	5:4	3296-23	1	Nut-Nyloc 1/2-13
5:2:1	1-633585	2	Bearing-Cone Tapered Roller	6	103-4882	1	Cap-Grease
				7	3296-51	1	Nut-Nyloc 3/4-10

● Not serviced separately

■ Use Pro-Lock, Nut Type (P/N 1-840022, .5ml tube) on threads.

Deck Lift Assembly



Deck Lift Assembly (continued)

<i>Ref.</i>	<i>Part Number</i>	<i>Qty.</i>	<i>Description</i>	<i>Ref.</i>	<i>Part Number</i>	<i>Qty.</i>	<i>Description</i>
1	109-7952	2	Deck Strut ASM	18	3296-23	1	Nut-Nyloc 1/2-13
1:2	109-5009	2	Bushing-Suspension, Rubber	19	3231-2	2	Bolt-Carriage 3/8-16 X 1
1:3	109-5010	2	Spacer	20	126-2475-03	1	Decklift-Front
2	109-5013	1	Panhard Rod ASM	21	116-0756	4	Deck Lift Chain ASM
2:2	109-5009	2	Bushing-Suspension, Rubber	21:1	1-633447	1	Chain-Lift, Deck
2:3	109-5010	2	Spacer	21:2	109-9065	1	Screw-HH 7/16-14 X 2
3	86-1990	6	Washer	21:3	32128-37	1	Nut-Whizlock 7/16-14
4	99-5107	12	Nut-Lock 1/2-13	22	116-0559	1	Bolt-HH 1/2-13 X 4 Tap
5	325-12	2	Screw-HH 1/2-13 X 3	23	32128-37	6	Nut-Whizlock 7/16-14
6	325-17	1	Screw-HH 1/2-13 X 4	24	109-9066	4	Yoke-Adjust, Deck
7	3233-34	3	Bolt-Carriage 1/2-13 X 2 1/2	25	322-47	4	Screw-HH 5/16-18 X 1 1/4
8	116-0818-03	2	Support-Cross Shaft, Rear Bearing	26	3218-2	8	Nut-Jam 5/16-18
9	109-7173	2	Bearing-Cross Shaft, Rear	27	116-0459-03	1	Lift-Deck, Rear
10	3231-4	2	Bolt-Carriage 3/8-16 X 1 1/2	28	116-0780	2	Screw-Shoulder HHF 1/2-13 X 1.12
11	104-8301	12	Nut-Nyloc 3/8-16 Flg	29	116-0797-03	1	Link-Lift, Deck
12	109-9409	2	Support-Cross Shaft, Front Bearing	30	116-0886	1	Extension Spring ASM
13	109-9410	2	Bearing-Cross Shaft, Front	31	116-5584	1	Pin-HOC
14	116-1700	4	Bolt-Carriage 1/2-13 X 2 1/2 Spl Neck	32	116-1919-01	1	Lever-Foot
15	109-9840	4	Screw-Hex Flange 3/8-16 X .80	33	3256-28	2	Washer-3/4 Sae
16	109-7438	1	HOC ASM	34	92-7674	1	Screw-Shcs 3/8-16 X 2.212
17	109-9065	1	Screw-HH 7/16-14 X 2	35	116-0827-01	1	Weight, Toe Board
				36	321-8	4	Screw-HH 1/4-20 X 1 1/4
				37	3256-22	4	Washer-1/4 Sae
				38	104-7201	4	Nut-Nyloc 1/4-20 Flg
				39	3231-5	4	Bolt-Carriage 3/8-16 X 1 3/4

Height-of-Cut Assembly No. 109-7438

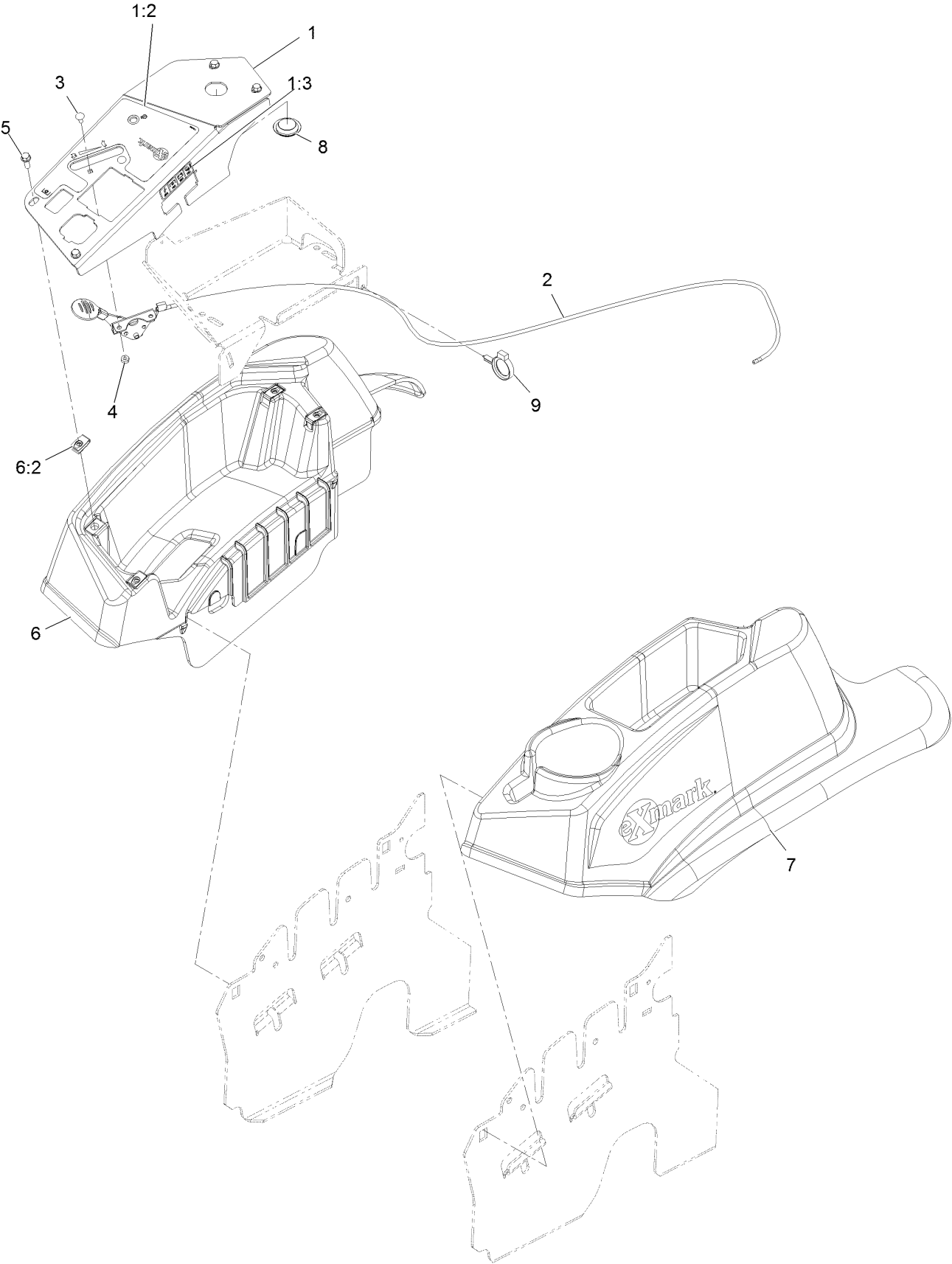


Height-of-Cut Assembly No. 109-7438 (continued)

<i>Ref.</i>	<i>Part Number</i>	<i>Qty.</i>	<i>Description</i>
1	62-1330	1	Bolt-Shoulder
2	109-7130	1	Grommet
3	104-8301	1	Nut-Flange, NI
4	109-7124	1	Spring-Extension
5	109-7128	1	Rod-Lock, Transport

<i>Ref.</i>	<i>Part Number</i>	<i>Qty.</i>	<i>Description</i>
6	116-0118	1	Pawl-Transport, HOC
7	109-7335	1	HOC Plate ASM
7:2	126-4398	1	Decal-HOC
8	109-8250	1	Grip-Lever

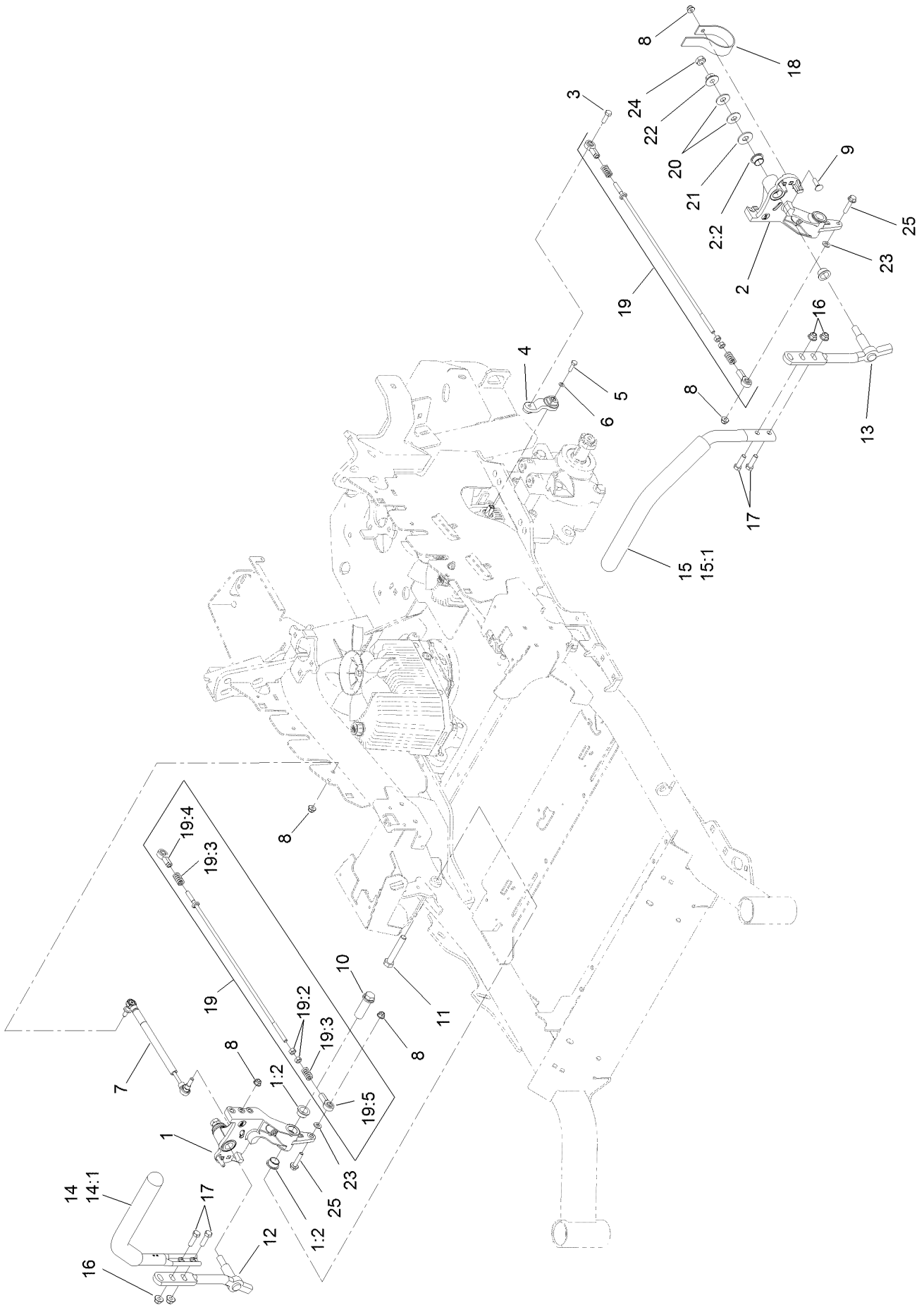
Control Assembly



Control Assembly (continued)

<i>Ref.</i>	<i>Part Number</i>	<i>Qty.</i>	<i>Description</i>	<i>Ref.</i>	<i>Part Number</i>	<i>Qty.</i>	<i>Description</i>
1	116-2845	1	ASM,Control Panel W/Decal	5	32105-15	4	Screw-Machine 1/4-20 X 3/4
1:2	116-8725	1	Decal-Control Panel Efi	6	116-1278	1	Console,RH As ASM
1:3	114-4466	1	Decal-Fuses	6:2	107069	4	Nut-Retainer-Panel 1/4-20
2	116-0969	1	ASM,Throttle Cable	7	109-9457	1	Console, LH As
3	1-807513	2	Bolt-Carriage #10-24 X 1/2	8	116-1875	1	Plug,Plastic
4	3296-2	2	Nut-Nyloc #10-24	9	104-2490	1	Clamp-Hose

Motion Control Assembly

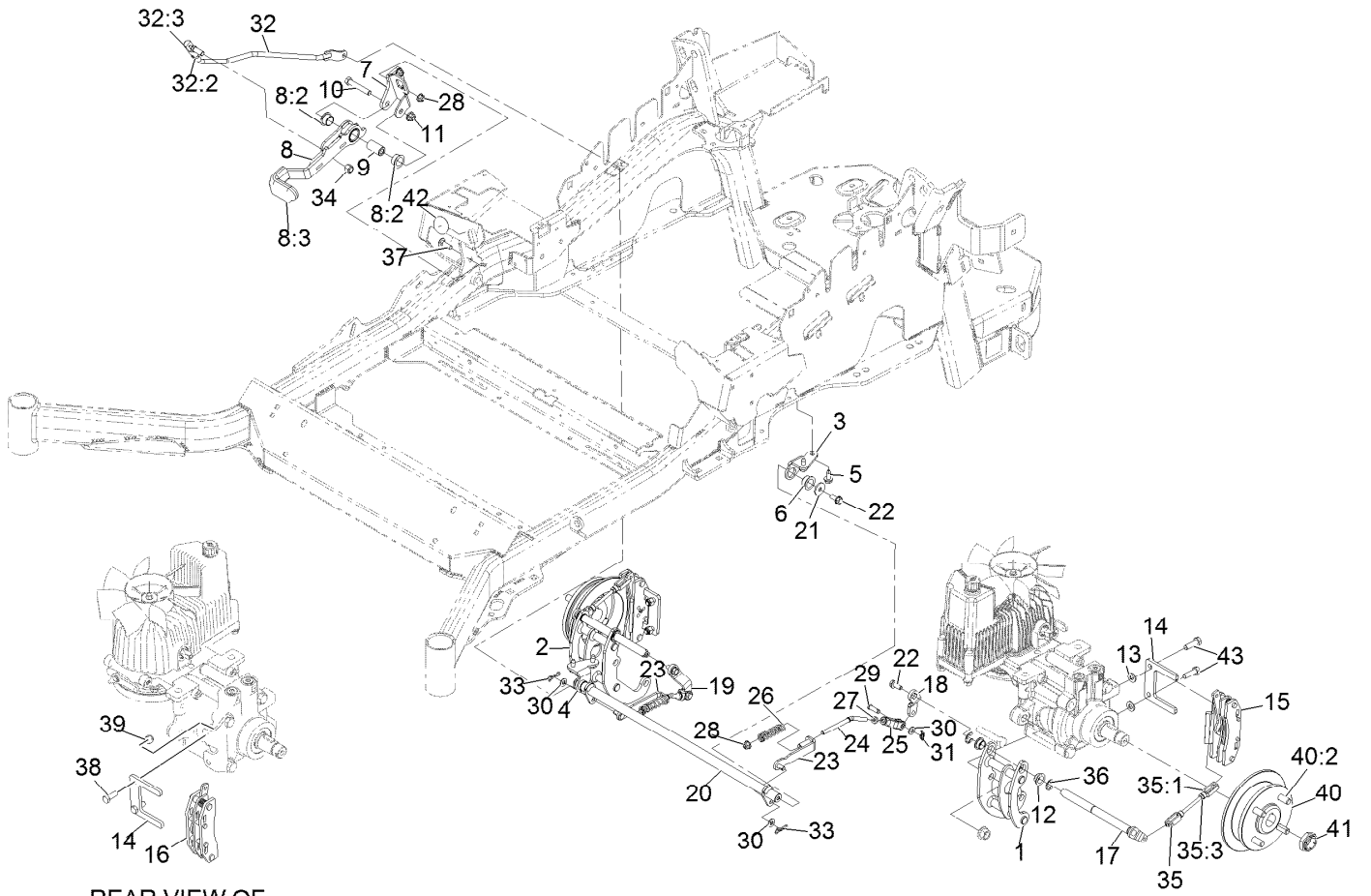


Motion Control Assembly (continued)

<i>Ref.</i>	<i>Part Number</i>	<i>Qty.</i>	<i>Description</i>	<i>Ref.</i>	<i>Part Number</i>	<i>Qty.</i>	<i>Description</i>
1	116-0880	1	RH Motion Control And Bushing ASM	14	109-6589	1	RH Steering Handle ASM
1:2	109-8054	4	Bushing-Flange	14:1	109-5668	1	Grip-Control, Lever
2	116-0881	1	LH Motion Control And Bushing ASM	15	109-6590	1	LH Steering Handle ASM
2:2	109-8054	4	Bushing-Flange	15:1	109-5668	1	Grip-Control, Lever
3	116-0648	2	Screw-HH, Thread Locking ●	16	104-8301	4	Nut-Flange, NI
4	109-4581	2	Arm-Control, Pump	17	323-7	4	Screw-HH
5	9080046	2	Screw-HH ●	18	109-5575	2	Spring-Leaf
6	1-303435	2	Washer-Spring	19	109-8107	2	Pump Linkage Rear ASM
7	116-0027	2	Damper-Control, Motion	19:2	3219-2	2	Nut-Hex
8	104-8300	8	Nut-Flange, NI	19:3	1-323245	2	Spring-Compression
9	3230-2	2	Bolt-CARR	19:4	1-633152	1	Balljoint-LH
10	109-5891	2	Hub-Threaded	19:5	1-543017	1	Balljoint-RH
11	325-12	2	Screw-HH	20	109-9505	4	Washer-Spring
12	116-0039	1	Lever-Control Motion, RH	21	3256-6	2	Washer-Flat
13	116-0040	1	Lever-Control Motion, LH	22	32128-56	2	Nut-HF
				23	3256-23	2	Washer-Flat
				24	3218-5	2	Nut-Jam
				25	115-1794	2	Screw-HHF

● Use Pro-Lock, Nut Type (P/N 1-840022, .5ml tube) on threads.

Park Brake Assembly

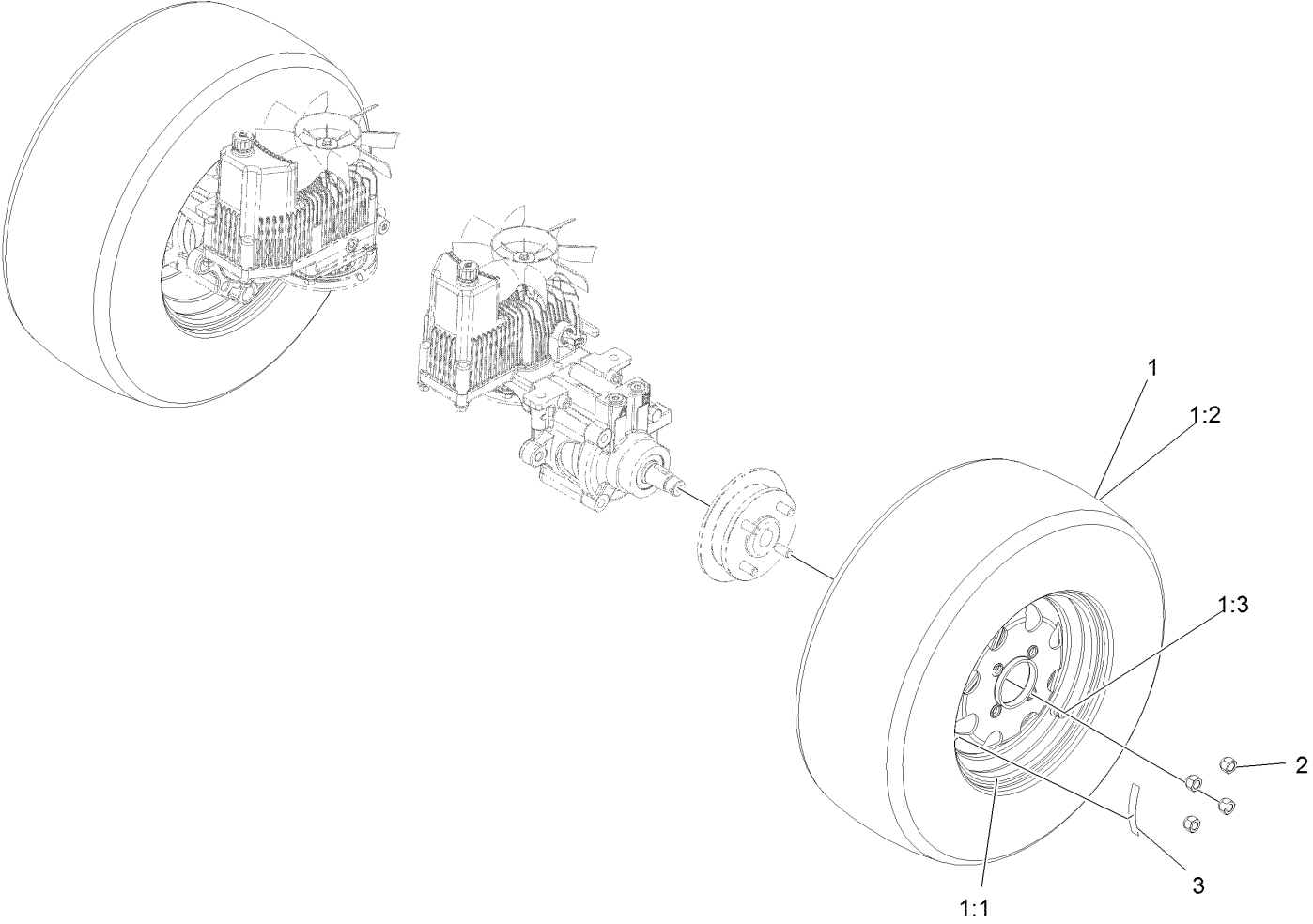


REAR VIEW OF
RIGHT HAND HYDRO

Park Brake Assembly (continued)

<i>Ref.</i>	<i>Part Number</i>	<i>Qty.</i>	<i>Description</i>	<i>Ref.</i>	<i>Part Number</i>	<i>Qty.</i>	<i>Description</i>
1	116-9061	1	Mount-Bellcrank, LH	24	116-9086	2	Linkage-Mid
2	116-9062	1	Mount-Bellcrank, RH	25	126-3693	2	Yoke-Offset
3	116-9681	1	Mount-Pivot, LH	26	116-9085	2	Spring-Compression
4	116-9682	1	Mount-Pivot, RH	27	3220-2	2	Nut-Jam 5/16-24
5	32144-70	4	Screw-HWH 5/16-18 X 3/4 Tf	28	104-8300	4	Nut-Nyloc 5/16-18 Flg
6	109-8054	2	Bushing-Flanged	29	1-808280	2	Pin-Clevis 5/16 X 1 49/64
7	116-9096-01	1	Bracket-Mount	30	3256-23	4	Washer-5/16 Sae
8	126-0970	1	Brake Lever ASM (W/ Grip)	31	116-6639	2	Pin-Cotter, Locking
8:2	109-8054	2	Bushing-Flanged	32	116-9102	1	Front Linkage ASM
8:3	1-633268	1	Grip-Lever	32:2	94-7572	1	End-Tie Rod, RH
9	116-9117	1	Handle-Pivot, Brake	32:3	3220-3	1	Nut-HJ
10	323-11	1	Screw-HH 3/8-16 X 2 1/4	33	119-1415	2	Pin-Cotter, Locking
11	104-8301	1	Nut-Nyloc 3/8-16 Flg	34	3296-6	1	Nut-Nyloc 3/8-24
12	116-9072	4	Bushing	35	116-9071	2	Rear Linkage ASM
13	3256-24	2	Washer-3/8 Sae	35:1	116-9070	2	Yoke
14	109-0958	2	Plate-Mount, Brake	35:3	3220-1	1	Nut-Jam
15	109-2889	1	Caliper-Brake	36	32120-19	4	E-Ring
16	116-9103	1	Caliper-Brake, RH	37	3230-2	2	Bolt-Carriage 5/16-18 X 1
17	116-9066	2	Bellcrank	38	323-6	2	Screw-HH 3/8-16 X 1
18	126-3715	1	Arm-Inner, LH	39	3296-39	2	Nut-Nyloc 3/8-16
19	126-3716	1	Arm-Inner, RH	40	116-1746	2	Wheel Hub ASM
20	116-9080	1	Shaft-Cross	40:2	116-1696	4	Stud-Wheel
21	115-7109	2	Washer-Flat	41	116-1399	2	Locknut
22	98-9940	4	Screw	42	126-4162	1	Decal-Cover
23	116-9608	2	Bracket-L	43	92-5727	2	Screw-HH 3/8-16 X 1 1/4 Patch Lock

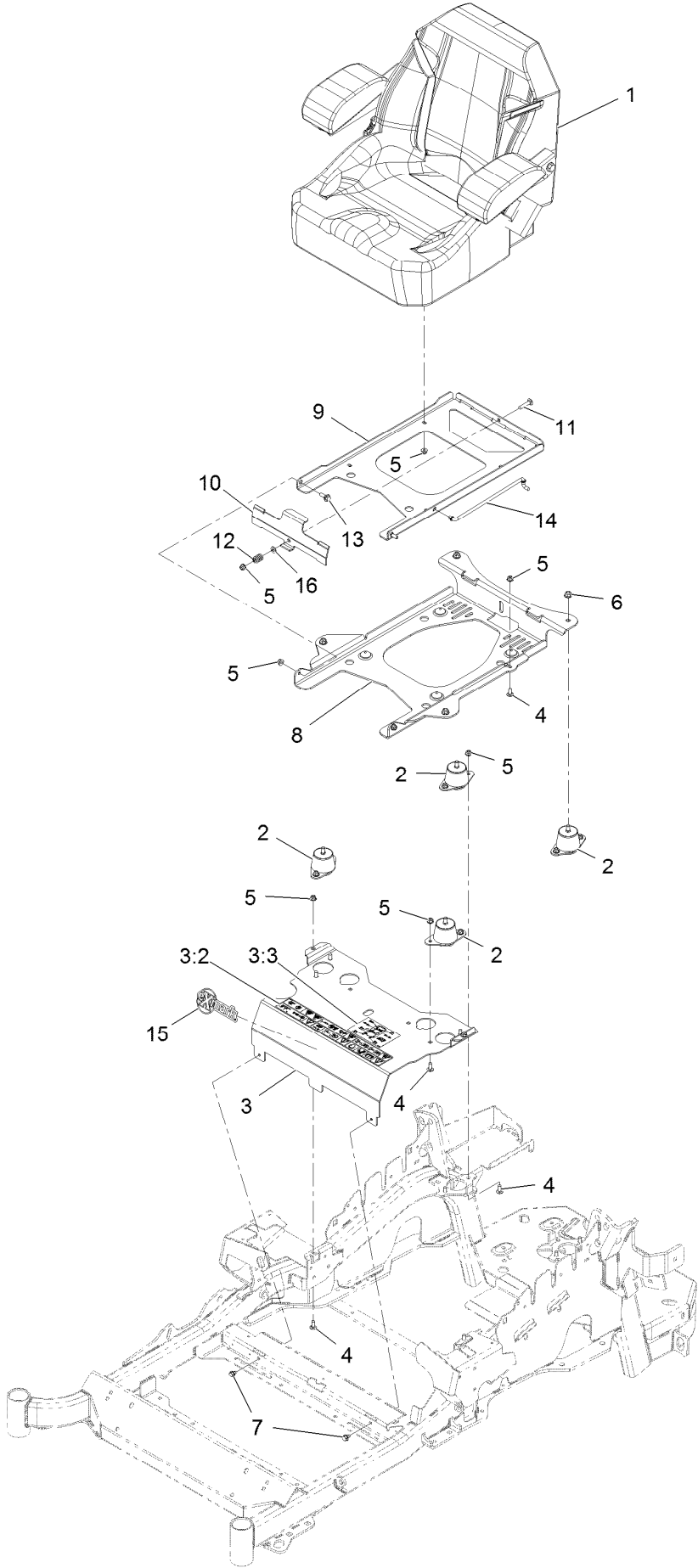
Rear Wheel Assembly



Rear Wheel Assembly (continued)

<i>Ref.</i>	<i>Part Number</i>	<i>Qty.</i>	<i>Description</i>	<i>Ref.</i>	<i>Part Number</i>	<i>Qty.</i>	<i>Description</i>
1	115-3590	2	Wheel And Tire ASM	2	242-50	8	Nut-Lug 1/2-20
1:1	109-3645	1	Rim ASM	3	126-2055	2	Decal-Torque Wheel Lug-Hub
1:2	1-653160	1	Tire				
1:3	232-27	1	Stem-Valve				

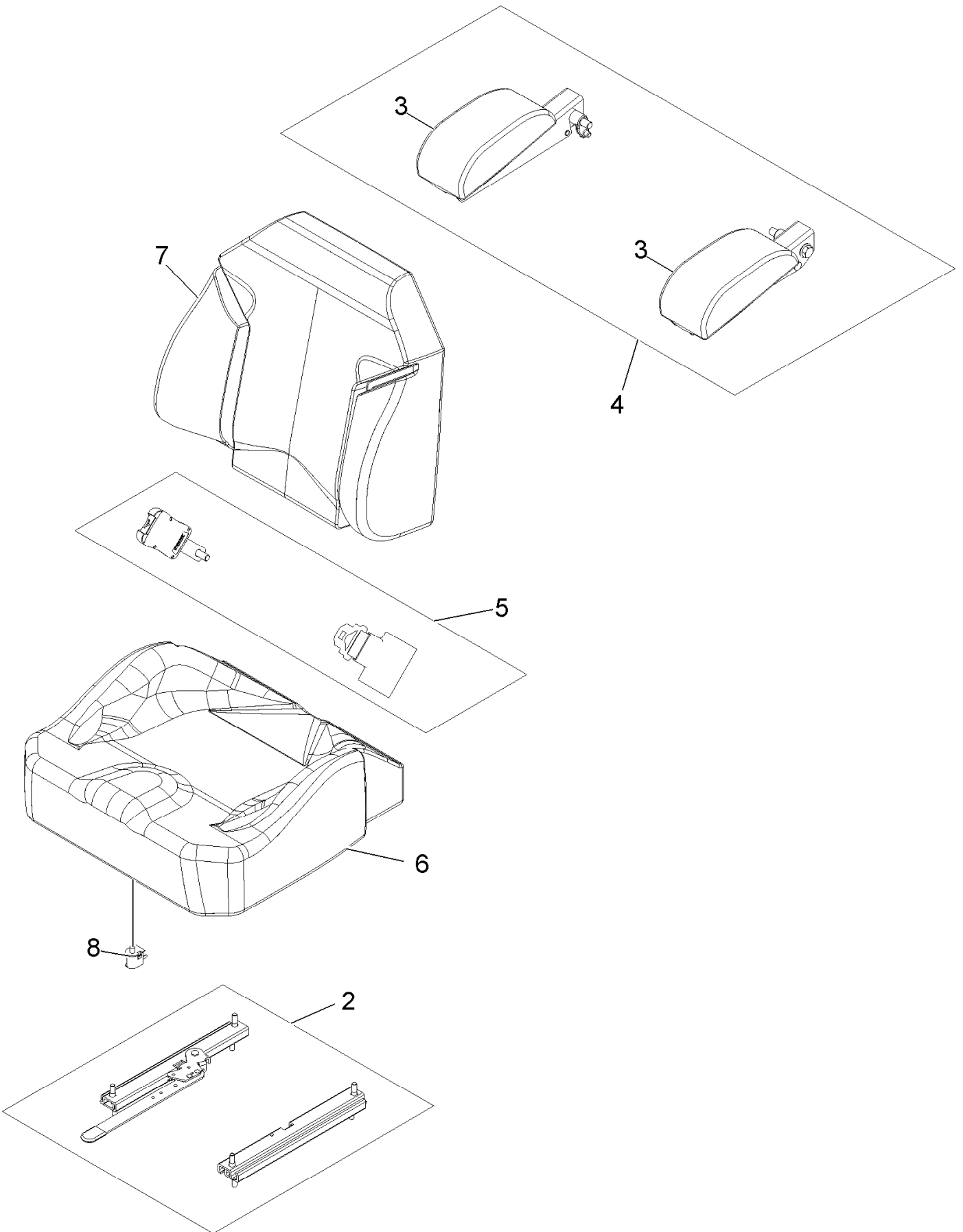
Seat Assembly



Seat Assembly (continued)

<i>Ref.</i>	<i>Part Number</i>	<i>Qty.</i>	<i>Description</i>	<i>Ref.</i>	<i>Part Number</i>	<i>Qty.</i>	<i>Description</i>
1	116-4474	1	Seat,Exmark Standard Service	8	116-3860-03	1	Plate-Tilt, Seat Support
2	109-9034	4	Isolator-Seat	9	116-3859-03	1	Plate-Frame, Seat
3	116-2323	1	Mount-Seat	10	109-9881-03	1	Plate-Latch, Seat
3:2	116-8722	1	Decal-Console	11	3230-4	1	Bolt-Carriage 5/16-18 X 1 1/2
3:3	114-4465	1	Decal-Service Aid	12	107-3017	1	Spring-Compression
4	3230-23	11	Bolt-Carriage 5/16-18 X 3/4 Short Neck	13	116-1297	2	Screw-Shoulder
5	104-8300	18	Nut-Nyloc 5/16-18 Flg	14	116-0070	1	Rod-Prop
6	104-8301	4	Nut-Nyloc 3/8-16 Flg	15	103-2883	1	Decal, Exmark Logo
7	9266934	2	Screw-HWH 5/16 X 1/2 Tf	16	3256-23	1	Washer-5/16 Sae

Seat W/Tracks Assembly No. 116-4474

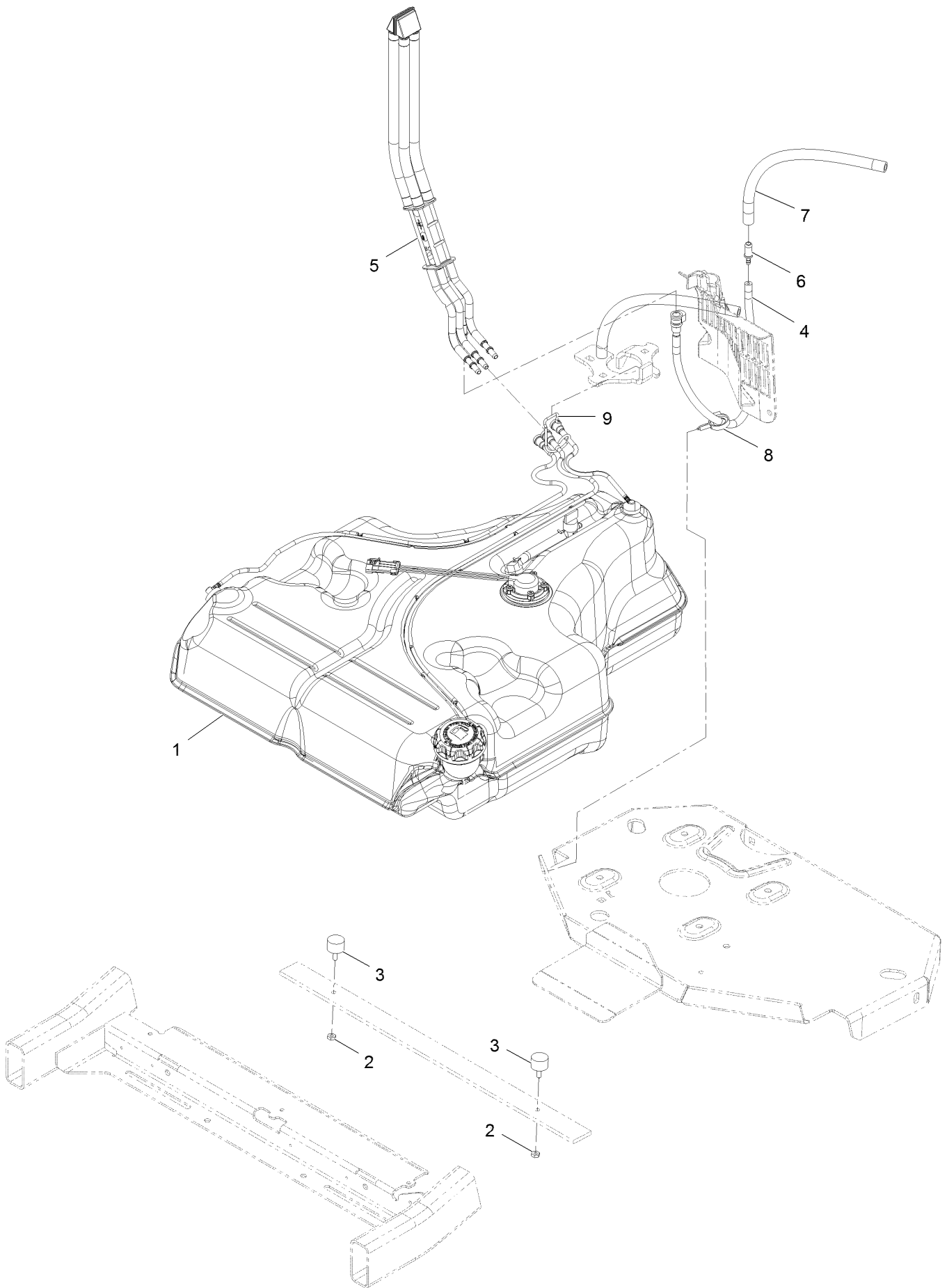


Seat W/Tracks Assembly No. 116-4474 (continued)

<i>Ref.</i>	<i>Part Number</i>	<i>Qty.</i>	<i>Description</i>
2	109-9801	1	Seat Track Set
3	109-9802	1	Arm Rest Pad Set
4	109-9803	1	Arm Rest Set
5	109-9805	1	Seat Belt Kit

<i>Ref.</i>	<i>Part Number</i>	<i>Qty.</i>	<i>Description</i>
6	116-4925	1	Cover,Cushion
7	116-4926	1	Cover,Back
8	82-2190	1	Switch

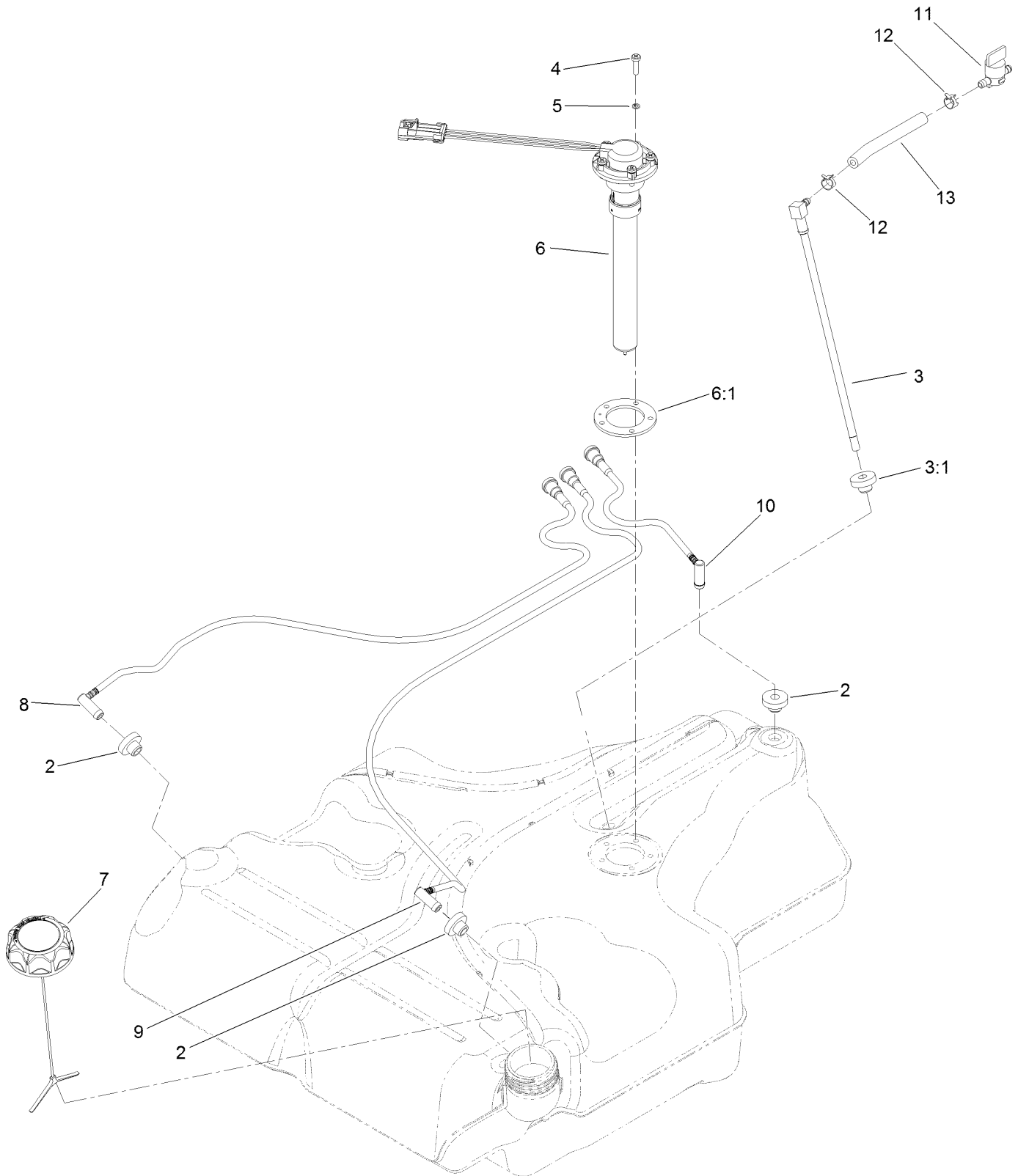
Fuel Tank Mounting Assembly



Fuel Tank Mounting Assembly (continued)

<i>Ref.</i>	<i>Part Number</i>	<i>Qty.</i>	<i>Description</i>	<i>Ref.</i>	<i>Part Number</i>	<i>Qty.</i>	<i>Description</i>
1	116-3979	1	Fuel Tank ASM	6	98-2952	1	Fitting-Straight
2	3218-1	2	Nut-Jam	7	116-5087	1	Hose-Fuel
3	116-6380	2	Bumper-Rubber (W/ Stud)	8	105-1853	1	Clamp-Hose
4	116-3977	1	Hose ASM	9	116-6005	1	Retainer-Line, Vapor
5	109-9491	1	Fuel Manifold Vent ASM				

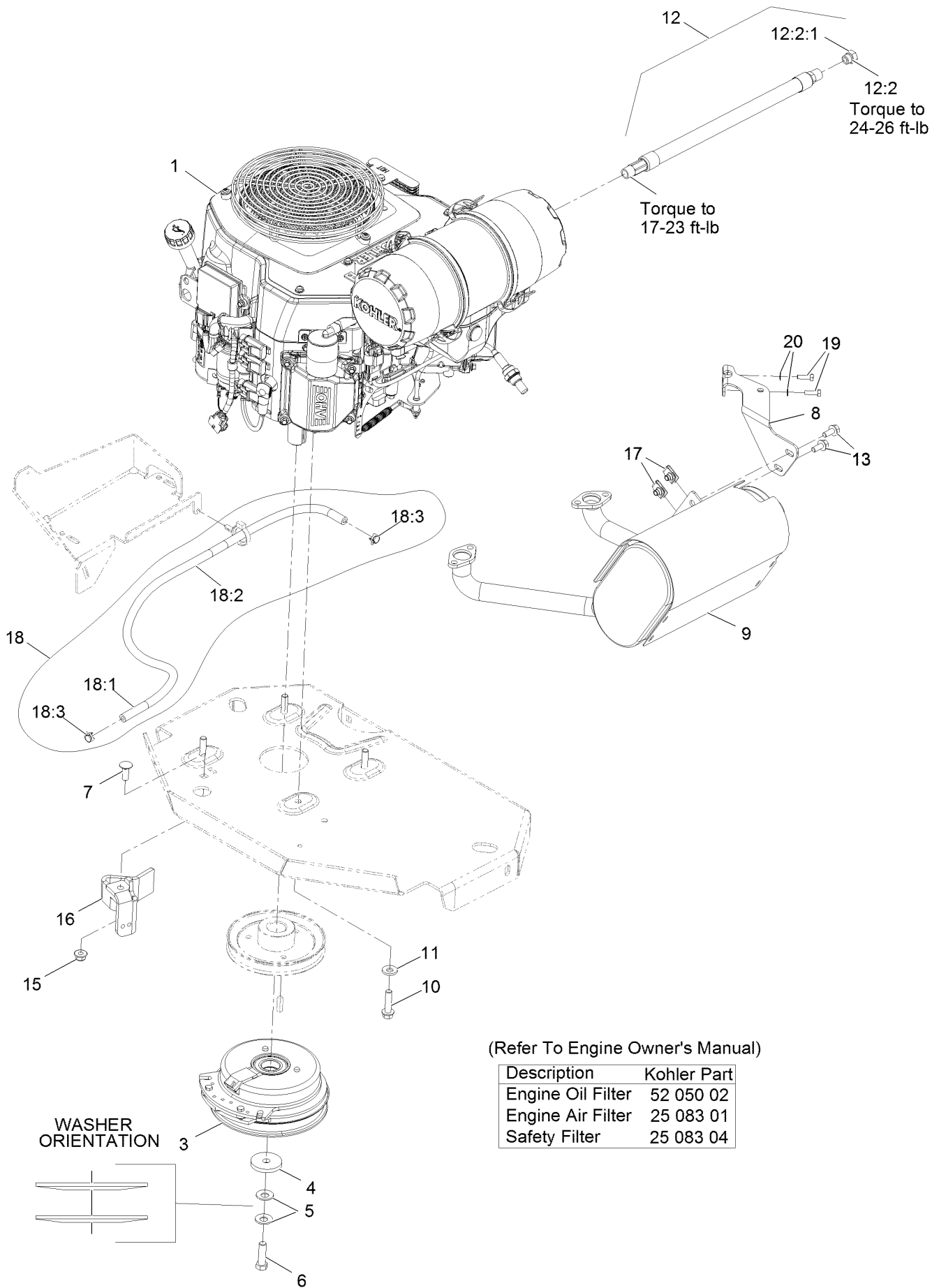
Fuel Tank Assembly No. 116-3979



Fuel Tank Assembly No. 116-3979 (continued)

<i>Ref.</i>	<i>Part Number</i>	<i>Qty.</i>	<i>Description</i>	<i>Ref.</i>	<i>Part Number</i>	<i>Qty.</i>	<i>Description</i>
2	46-6560	4	Bushing	8	116-2460	1	RH Vent Line Kit (With Grommet)
3	116-2459	1	Fuel Line Kit (With Grommet)	9	116-2461	1	LH Vent Line Kit (With Grommet)
3:1	46-6560	1	Bushing	10	116-2462	1	Rear Vent Line Kit (With Grommet)
4	9107944	5	Screw-Pan	11	1-603770	1	Valve-Fuel
5	3253-17	5	Washer-Lock	12	2412-98	2	Clamp-Hose
6	116-0003	1	Sender-Level, Fuel	13	109-0650	1	Hose-Fuel
6:1	109-9620	1	Gasket-Sender, Fuel				
7	126-1789	1	Cap-Fuel, Ratcheting				

Engine Assembly



Engine Assembly (continued)

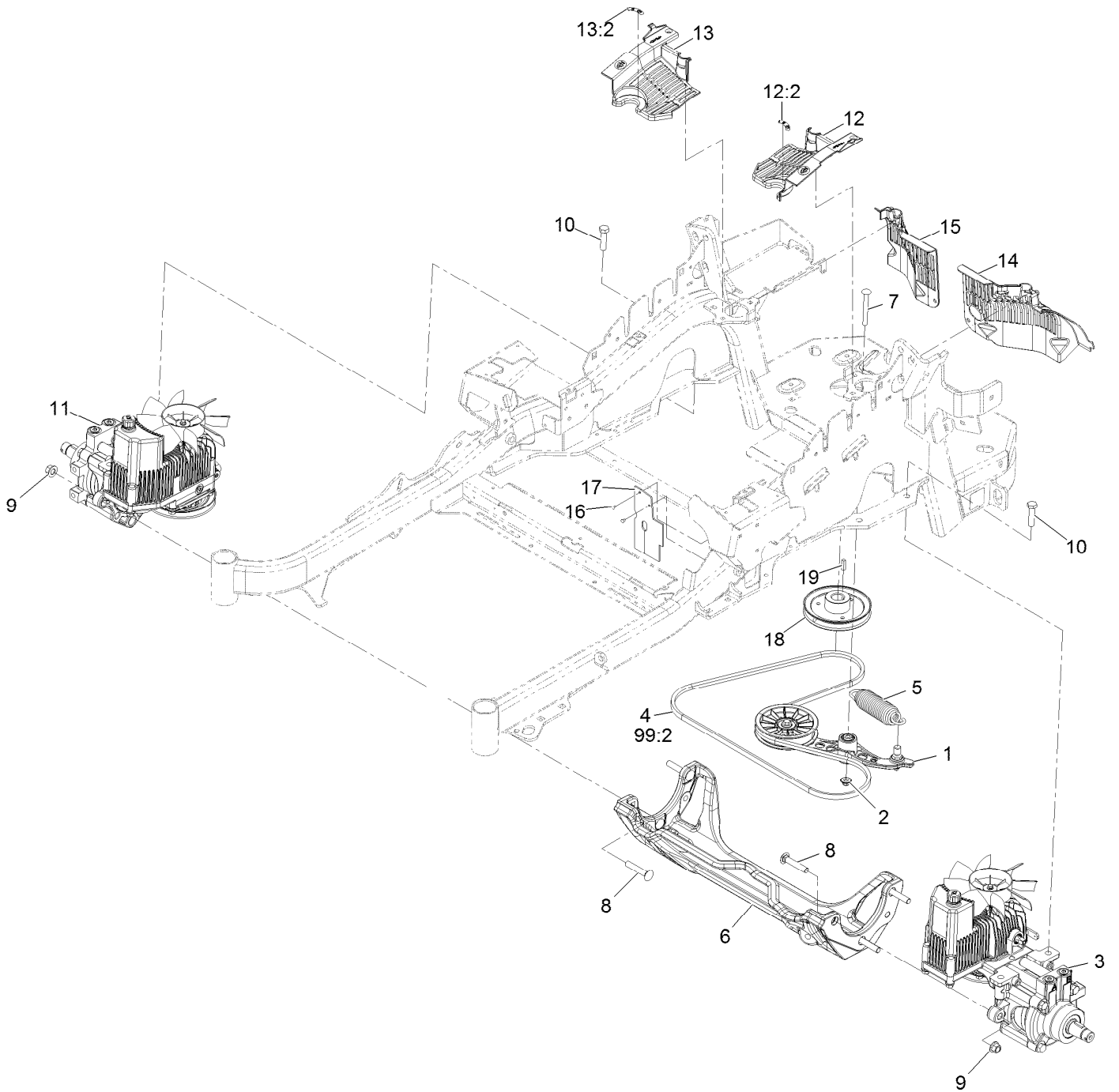
<i>Ref.</i>	<i>Part Number</i>	<i>Qty.</i>	<i>Description</i>	<i>Ref.</i>	<i>Part Number</i>	<i>Qty.</i>	<i>Description</i>
1		1	Engine-Kohler, Ps-Ecv740-3040 ●■	12:2	353-508	1	Plug-W/O-Ring
3	116-1620	1	Clutch Kit	12:2:1	237-42	1	O-Ring
4	109-6919	1	Washer-Clutch	13	3234-5	2	Screw-HH Flg 5/16-18 X 3/4
5	1-603610	2	Washer-Spring Disc 7/16	15	104-8301	1	Nut-Nyloc 3/8-16 Flg
6	109-9761	1	Screw-HH 7/16-20 X 1 1/2 W/Loctite ▲	16	116-2612-01	1	Clutch-Anchor
7	3231-22	1	Bolt-Carriage 3/8-16 X 1	17	94-2413	2	U-Nut
8	116-4297	1	Muffler Bracket Kit	18	117-3893	1	Fuel Line ASM
9	116-2038	1	Muffler	18:1	109-0273	1	Hose-Fuel Line 38 1/4"
10	32144-102	4	Screw-HWH 3/8-16 X 1 1/2 Taptite	18:2	117-3892	1	Sleeve-Thermal
11	98-5975	4	Washer-Spring Disc 3/8	18:3	2412-98	2	Clamp-Hose
12	116-5316	1	Oil Drain Hose ASM	19	116-4295	2	Screw-HH M6-1 X 20Mm W/Patch
				20	1-303435	2	Washer-Spring Disc 1/4

● Not serviced separately

▲ Use Pro-Lock, Nut Type (P/N 1-840022, .5ml tube) on threads.

■ Obtain parts from www.kohlerplus.com

Hydraulic Assembly

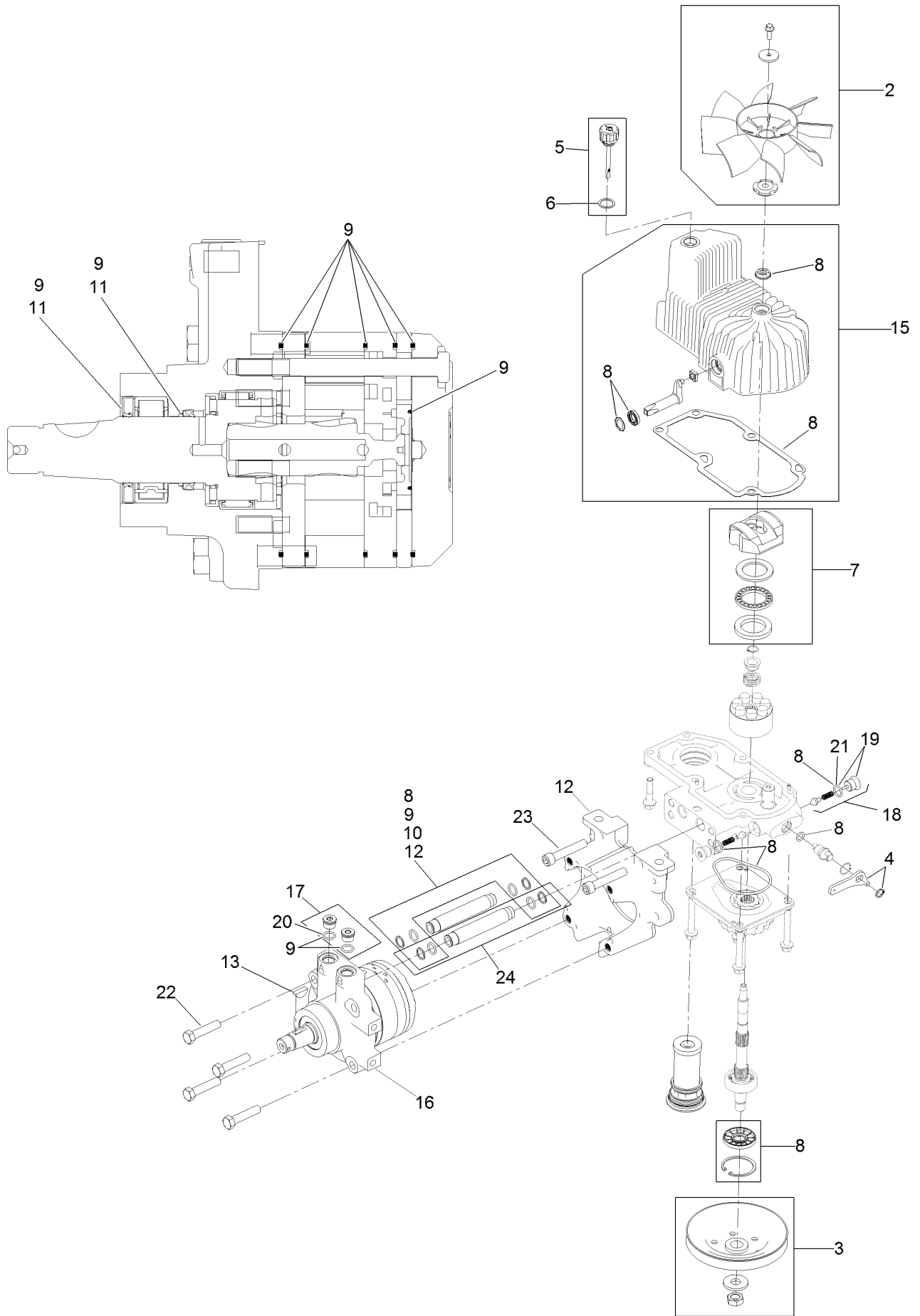


Hydraulic Assembly (continued)

<i>Ref.</i>	<i>Part Number</i>	<i>Qty.</i>	<i>Description</i>	<i>Ref.</i>	<i>Part Number</i>	<i>Qty.</i>	<i>Description</i>
1	116-1255	1	Pump Idler ASM	13	116-0171	1	RH Hydro Guard ASM
2	109-6658	1	Nut-Nyloc 3/8-16 Flg	13:2	116-8726	1	Decal-Oil, Hydro
3	126-1321	1	LH Hydro ASM (12Cc W/ Check)	14	109-9057	1	Guard-Hydro, Rear (LH)
4	109-3388	1	Belt	15	109-9058	1	Guard-Hydro, Rear (RH)
5	116-6317	1	Spring-Extension	16	1-803035	2	Rivet 3/16 X 1/4
6	116-7558	1	Cradle-Hydro	17	116-2362	1	Deflector-Air Flow
7	116-1502	1	Bolt-Carriage Shoulder 3/8-16 X 3 1/2	18	109-9905	1	Sheave
8	126-0095	6	Screw-CARR	19	1-807259	1	Key
9	99-5107	6	Nut-Lock 1/2-13	99	109-9828	1	Bottle-Oil, 32Oz Hydraulic ●
10	325-8	4	Screw-HH 1/2-13 X 1 1/4	99	116-0164	1	Filter-Hydro ●
11	126-1322	1	RH Hydro ASM (12Cc W/ Check)	99	116-1218	1	Bottle,Oil 1 Gallon Hydraulic ●
12	116-0170	1	LH Hydro Guard ASM	99	116-3270	1	Kit, Hydro Service ●
12:2	116-8726	1	Decal-Oil, Hydro	99:1	109-9828	4	Bottle-Oil, 32Oz Hydraulic ●
				99:2	109-3388	1	Belt
				99:3	116-0164	2	Filter-Hydro ●

● Not illustrated

LH Hydro Assembly No. 126-1321

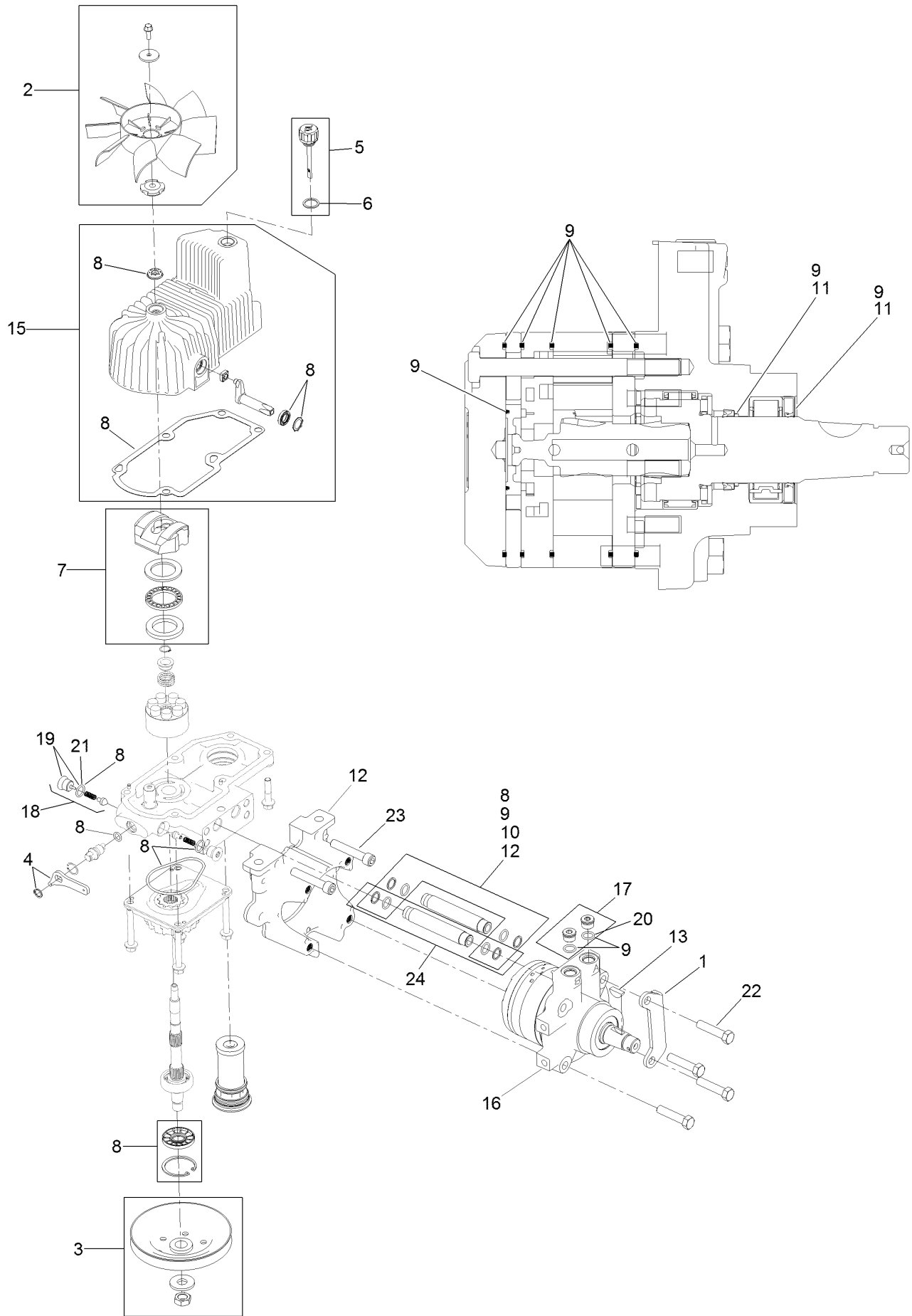


LH Hydro Assembly No. 126-1321 (continued)

<i>Ref.</i>	<i>Part Number</i>	<i>Qty.</i>	<i>Description</i>	<i>Ref.</i>	<i>Part Number</i>	<i>Qty.</i>	<i>Description</i>
2	116-0233	1	Fan Kit	13	3257-42	1	Key-Woodruff
3	116-0234	1	Pulley Kit	15	116-3287	1	Housing-LH
4	116-0235	1	Handle-Bypass Valve, Hydro	16	116-8915	1	Motor-Hydraulic LH 240Cc
5	116-0236	1	Dipstick-Hydro W/Gasket	17	116-7901	1	Magnetic Plugs Service Kit
6	116-0237	1	Gasket-Dipstick, Hydro	18	116-1630	2	Check Valve ASM
7	116-1367	1	Swash Block Kit	19	116-1631	2	Plug-Check (W/O-Ring)
8	116-1368	1	Pump Seal Kit	20	76-1900	2	O-Ring
9	116-1369	1	Motor Seal Kit	21	116-8662	2	O-Ring-Check Valve
10	116-1370	1	Tube Seal Kit	22	116-8974	4	Screw HH
11	116-1371	1	Output Shaft Seal Kit	23	116-8975	2	Screw-HSH
12	116-5469	1	Nose Cup-Uht	24	116-9922	2	Hydraulic Tube Kit
				99	116-1373	1	Flow Test Kit ●

● Not illustrated

RH Hydro Assembly No. 126-1322



RH Hydro Assembly No. 126-1322 (continued)

<i>Ref.</i>	<i>Part Number</i>	<i>Qty.</i>	<i>Description</i>	<i>Ref.</i>	<i>Part Number</i>	<i>Qty.</i>	<i>Description</i>
1	116-9063	1	Mount-Shoe, Horse	13	3257-42	1	Key-Woodruff
2	116-0233	1	Fan Kit	15	116-3288	1	Housing-RH
3	116-0234	1	Pulley Kit	16	116-8916	1	Motor-Hydraulic RH 240Cc
4	116-0235	1	Handle-Bypass Valve, Hydro	17	116-7901	1	Magnetic Plugs Service Kit
5	116-0236	1	Dipstick-Hydro W/Gasket	18	116-1630	2	Check Valve ASM
6	116-0237	1	Gasket-Dipstick, Hydro	19	116-1631	2	Plug-Check (W/O-Ring)
7	116-1367	1	Swash Block Kit	20	76-1900	2	O-Ring
8	116-1368	1	Pump Seal Kit	21	116-8662	2	O-Ring-Check Valve
9	116-1369	1	Motor Seal Kit	22	116-8974	4	Screw HH
10	116-1370	1	Tube Seal Kit	23	116-8975	2	Screw-HSH
11	116-1371	1	Output Shaft Seal Kit	24	116-9922	2	Hydraulic Tube Kit
12	116-5469	1	Nose Cup-Uht	99	116-1373	1	Flow Test Kit ●

● Not illustrated

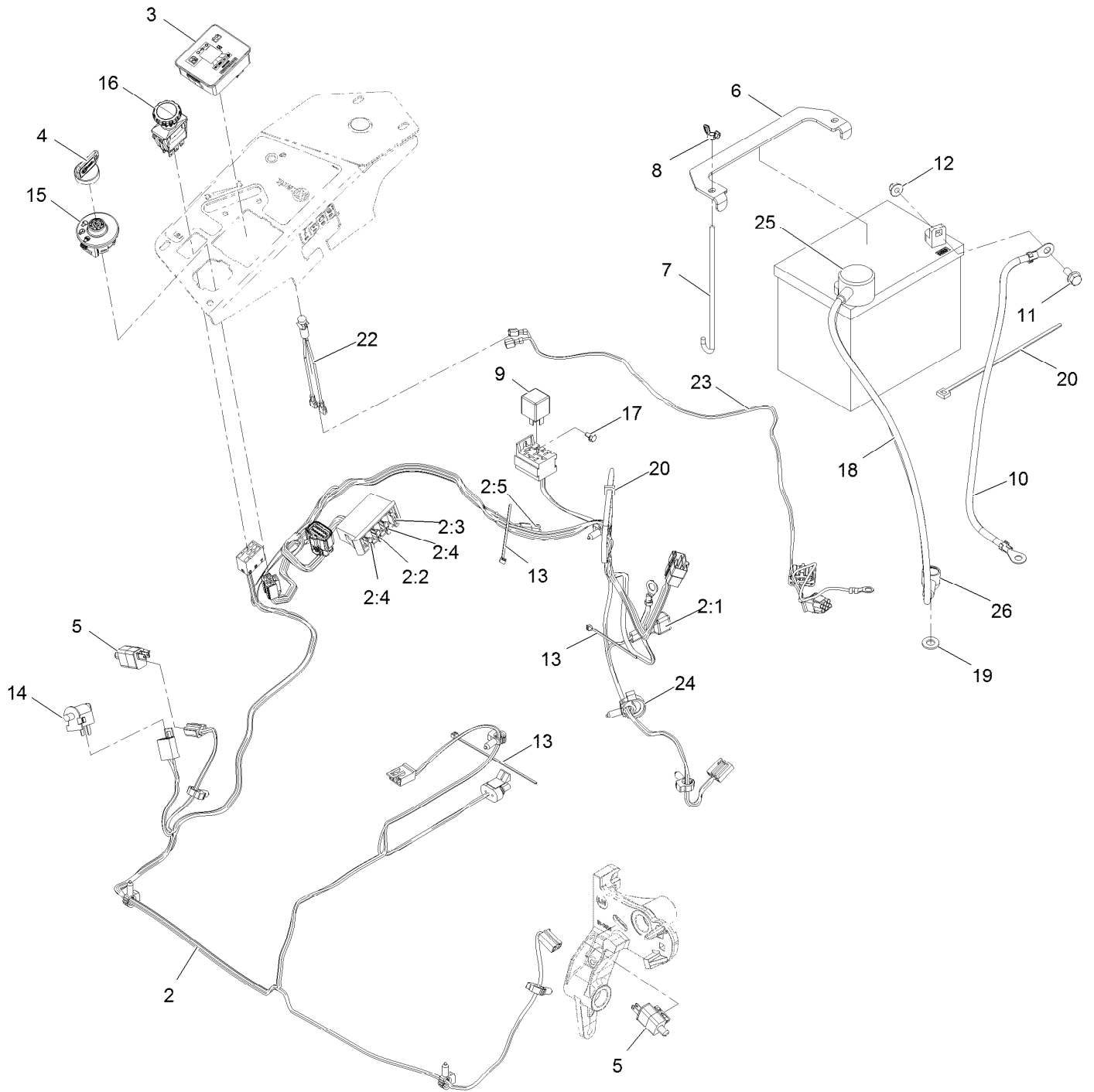
Pump Idler Assembly No. 116-1255



Pump Idler Assembly No. 116-1255 (continued)

<i>Ref.</i>	<i>Part Number</i>	<i>Qty.</i>	<i>Description</i>	<i>Ref.</i>	<i>Part Number</i>	<i>Qty.</i>	<i>Description</i>
2	43-0940	1	Spacer	8	323-8	1	Screw-HH
3	103-3504	2	Bearing-Spherical	9	32120-10	2	Ring-Snap
4	103-3505	1	Seal-Double Lip	10	302-19	1	Fitting-Grease
5	103-3506	1	Seal-Lip, Single	11	109-8076	1	Pulley-Idler
6	109-6658	1	Nut-Flange, NI	12	116-3467	1	Pin-Spring, Anchor
7	106-7159	2	O-Ring				

Electrical Assembly



Electrical Assembly (continued)

<i>Ref.</i>	<i>Part Number</i>	<i>Qty.</i>	<i>Description</i>	<i>Ref.</i>	<i>Part Number</i>	<i>Qty.</i>	<i>Description</i>
2	116-6009	1	Harness-Wire, Main ●	11	3234-5	2	Screw-HH Flg 5/16-18 X 3/4
2:1	103-3895	1	Diode-Tvs	12	104-8300	2	Nut-Nyloc 5/16-18 Flg
2:2	218-578	1	Fuse-Blade, 10 Amp	13	1-303287	3	Tie-Cable 5 1/2 (Small)
2:3	109355	1	Fuse-Blade, 15 Amp	14	82-2190	1	Switch
2:4	109102	2	Fuse-Blade, 25 Amp	15	117-2221	1	Switch-Ignition
2:5	116-0053	1	Cap-Plug	16	116-0124	1	Switch-PTO, 10A
3	117-3882	1	Fuel/Hour Meter ASM	17	104-2065	1	Screw-HWH #10-24 X 3/8
4	1-603511	1	Key-Ignition	18	115-3864	1	Cable-Battery, Positive
4	103-2106	1	Key-Exmark Logo	19	3256-24	1	Washer-3/8 Sae
5	110-6765	2	Switch	20	1-303335	2	Tie-Cable 7 15/16 (Large)
6	116-0042-03	1	Strap-Tie Down, Battery	22	1-643267	1	Indicator-Red Led
7	1-633651	2	Bolt-Holddown	23	116-3062	1	Harness-Light, Indicator
8	1-543792	2	Wingnut-Nyloc 1/4-20	24	105-1853	1	Clamp-Hose
9	1-643275	1	Relay-12Vdc 40 Amp	25	109-2407	1	Insulator-Battery
10	114-1218	1	Cable-Battery, Negative	26	1-543393	1	Insulator-Solenoid

● Use dielectric grease on all unsealed connectors and terminals only. Do not apply in sealed connectors.

Notes:

Notes:

Notes:

EXMARK® MAINTENANCE

MAXIMIZE THE PERFORMANCE OF YOUR EXMARK.

4-CYCLE PREMIUM ENGINE OIL

Part No. 116-3373

Both SAE 30 and SAE 10W-30 in one bottle.

Contains increased levels of zinc and phosphorus for better lubricity.

No Viscosity Index Improvers that tend to shear down in high heat.

Synthetic formulation.

Gas & Diesel compatible.

Anti-corrosion additives.

API 'SL' and JASO rated with wet clutch compatibility for other machines.

PREMIUM HYDRO OIL

Part No. 109-9828

Commercial quality for tough, high-heat conditions.

Designed specifically for zero-turn mower hydraulic systems.

Superior shear resistance under heavy loads.



Available from your local Exmark dealer. Find your closest dealer at exmark.com

EXMARK ACCESSORIES AND OPTIONS*

MID-MOUNT RIDING ACCESSORIES AND OPTIONS

CUSTOM RIDE SEAT SUSPENSION SYSTEM	OPERATOR CONTROLLED DISCHARGE
FULL SUSPENSION SEAT	SUN SHADE
DECK LIFT ASSIST KIT	TRASH CONTAINER
HITCH KIT	TURF STRIPER
LIGHT KIT	ULTRA VAC COLLECTION SYSTEM
12V POWER PORT	ULTRA VAC QUICK DISPOSAL SYSTEM
MICRO-MULCH SYSTEM	

OUT-FRONT RIDING ACCESSORIES AND OPTIONS

CUSTOM RIDE SEAT SUSPENSION SYSTEM	SNOW BLADE
DUAL-TAIL WHEEL	SNOWBLOWER
FLOOR PAN EXTENDER	SUN SHADE
HITCH KIT	TRASH CONTAINER
LIGHT KIT	ULTRA VAC COLLECTION SYSTEM
MICRO-MULCH SYSTEM	ULTRA VAC QUICK DISPOSAL SYSTEM
ROLL OVER PROTECTION SYSTEM (ROPS)	WEATHER CAB

WALK-BEHIND ACCESSORIES AND OPTIONS

GRASS CATCHER	TURF STRIPER
MICRO-MULCH SYSTEM	STANDON

*Some accessories and options not available for some models.

Place Model No. and Serial No.
Label Here (Included in the Literature
Pack) or Fill in Below

Model No. _____

Serial No. _____

Date Purchased _____

Engine Model No. and Spec. No. _____

Engine Serial No. (E/No) _____

© 2015 Exmark Mfg. Co., Inc.
Industrial Park Box 808
Beatrice, NE 68310
All Rights Reserved

Part No. 4502-074 Rev. A
(402) 223-6300
Fax (402) 223-5489
Printed in the USA.

