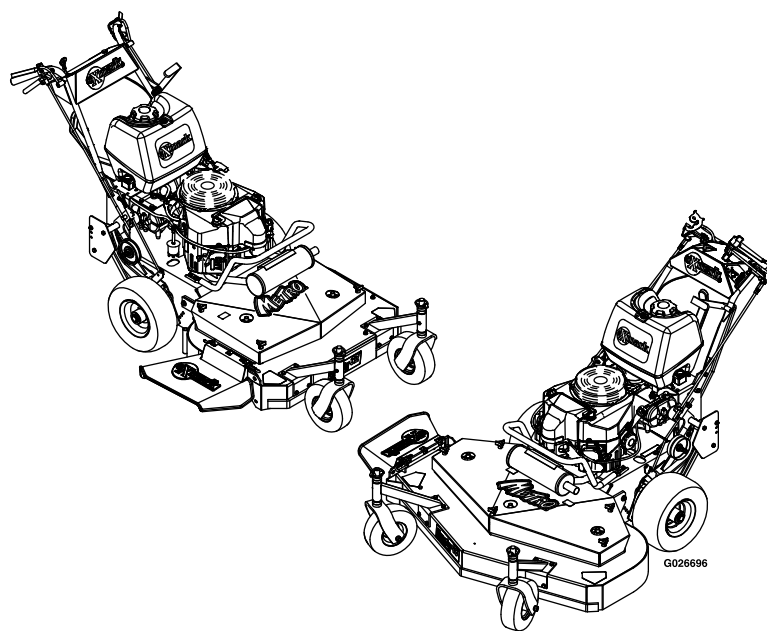




# METRO®

Model No. MGS481GKA322P0—Serial No. 31500000 and Up

Picture below may not reflect actual product.



# Parts Manual

# Ordering Replacement Parts

To order replacement parts, please supply the part number, the quantity, and the description of each part desired.

## Understanding Reference Numbers

Each identified part in an illustration has a reference number. The reference number for a part also appears in the parts list, along with other information about the part.

This catalog uses two special reference number formats, one to indicate parts in a service assembly and another to indicate the quantity of a given part in an illustration.

## Service Assembly Reference Numbers

Parts in service assemblies have reference numbers in the form a:b. The a represents the reference number of the entire service assembly and the b represents a sequential number unique to each part within the service assembly.

For example, a wheel assembly might be identified by reference number 6, the tire by 6:1, the valve by 6:2, and the wheel by 6:3. When you order the assembly identified by reference number 6, you receive all parts identified by reference numbers 6:1, 6:2, and 6:3. However, you may also order any part individually. Reference numbers of this type appear in illustration and in parts lists.

## Reference Numbers Indicating Quantity

In an illustration, if a reference number indicates more than one part, the reference number has the form nX y. The n represents the quantity of the part, the X is the multiplication symbol, and the y represents the reference number.

For example, in an illustration, the reference number 2X 37 means that two of the parts identified by reference number 37 are indicated.

# List of Abbreviations

<b>AR:</b> as required	<b>HLH:</b> hex lag head	<b>PTH:</b> phillips truss head
<b>ASM:</b> assembly	<b>HOC:</b> height-of-cut	<b>PTO:</b> power-take-off
<b>BBC:</b> blade brake control	<b>HP:</b> high pressure	<b>RH:</b> right hand
<b>BHTF:</b> button head thread forming	<b>HSBH:</b> hex socket button head	<b>ROPS:</b> roll-over protection system
<b>CARR:</b> carriage	<b>HSFH:</b> hex socket flat head	<b>RRB:</b> rear roller brush
<b>CCW:</b> counter clockwise	<b>HSH:</b> hex socket head	<b>SFH:</b> slotted fillister head
<b>CW:</b> clockwise	<b>HWH:</b> hex washer head	<b>SHH:</b> slotted hex head
<b>DEG:</b> degrees	<b>HWHTF:</b> hex washer head thread forming	<b>SHWH:</b> slotted hex washer head
<b>DPA:</b> Dual Point Adjustment	<b>HYD:</b> hydraulic	<b>SPH:</b> slotted pan head
<b>ECM:</b> electronic control module	<b>LH:</b> left hand	<b>SQH:</b> square head
<b>EXT:</b> external	<b>LP:</b> low pressure	<b>SRH:</b> slotted round head
<b>FH:</b> flat head	<b>LPG:</b> Liquefied Petroleum Gas	<b>STD:</b> standard
<b>GA:</b> gauge	<b>NI:</b> nylon insert	<b>TAP:</b> self tapping
<b>HD:</b> heavy-duty	<b>NPTF:</b> national pipe thread fine	<b>TTH:</b> torx truss head
<b>HF:</b> hex flange	<b>PFH:</b> phillips flat head	
<b>HH:</b> hex head	<b>PPH:</b> phillips pan head	
<b>HHF:</b> hex head flange	<b>PPHTF:</b> phillips pan head thread forming	
<b>HHFTF:</b> hex head flange thread forming	<b>PRH:</b> phillips round head	
<b>HJ:</b> hex jam		

# Touch Up Paint

Exmark black touch up spray paint – gloss black.

Exmark red touch up paint (spray paint – P/N 1-850337 - .6 oz liquid bottle – P/N 103-9140).

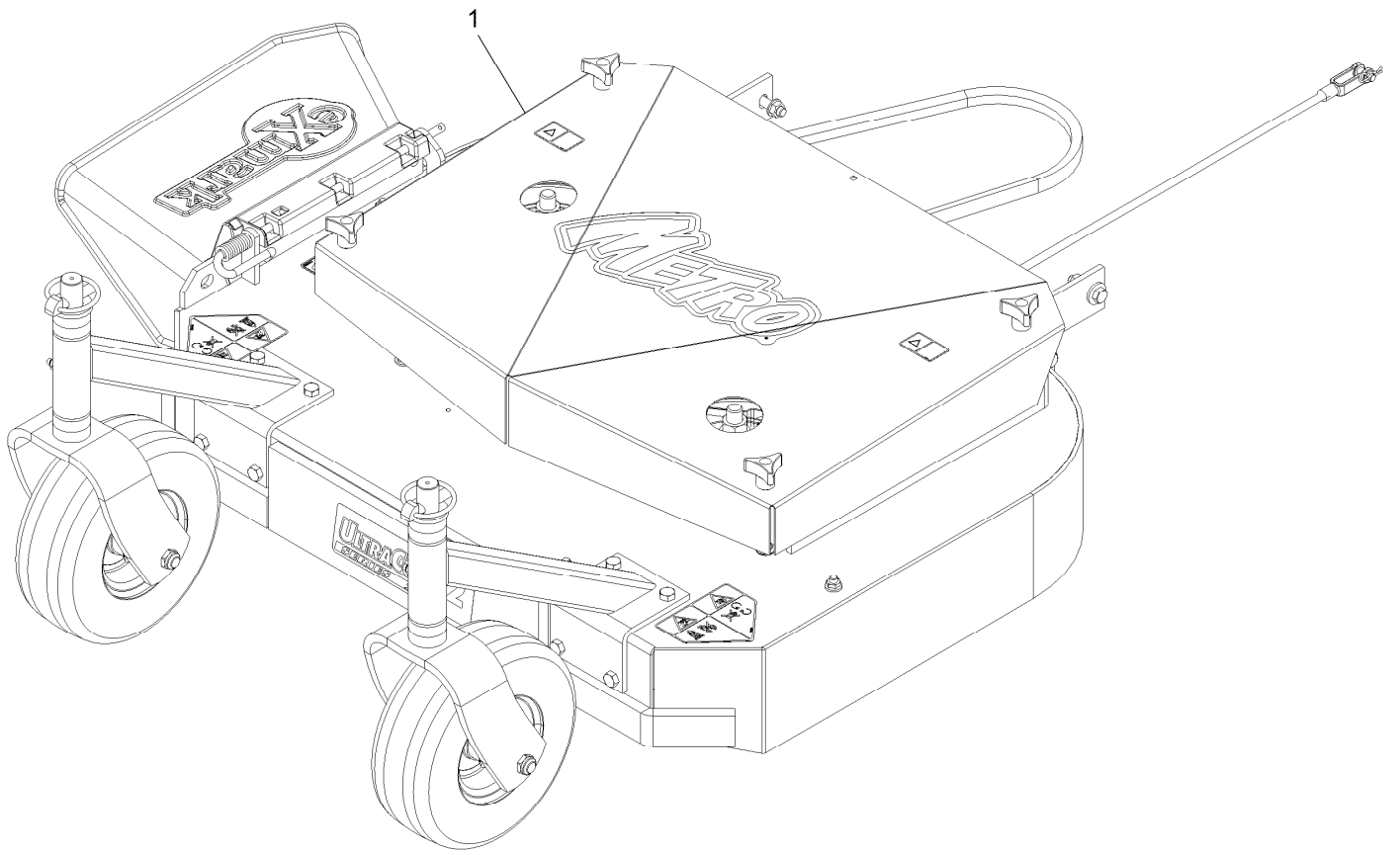


If your Exmark dealer does not have the Exmark part in stock, Exmark will get the parts to the dealer the next business day or the part will be FREE Guaranteed!! (Some restrictions apply. See your participating Exmark Dealer for details.)

## Contents

Complete Deck Assembly.....	4
Deck Assembly.....	6
Deck W/Decals Assembly No. 103-2313.....	8
Caster Mount Complete Assembly 103-1238.....	10
Caster Wheel Assembly No. 103-1236.....	12
Caster Wheel Support W/Bearings 1-302203.....	14
Engine Deck W/Transmission.....	16
Engine Deck W/Transmission (cont.).....	18
Engine Deck W/Decals Assembly No. 116-6131.....	20
Wheel and Tire Assembly No. 126-4481.....	22
Engine Assembly.....	24
Pistol Grip Upper Handle and Controls.....	26
Fuel Assembly.....	28
Electrical Assembly.....	30

# Complete Deck Assembly

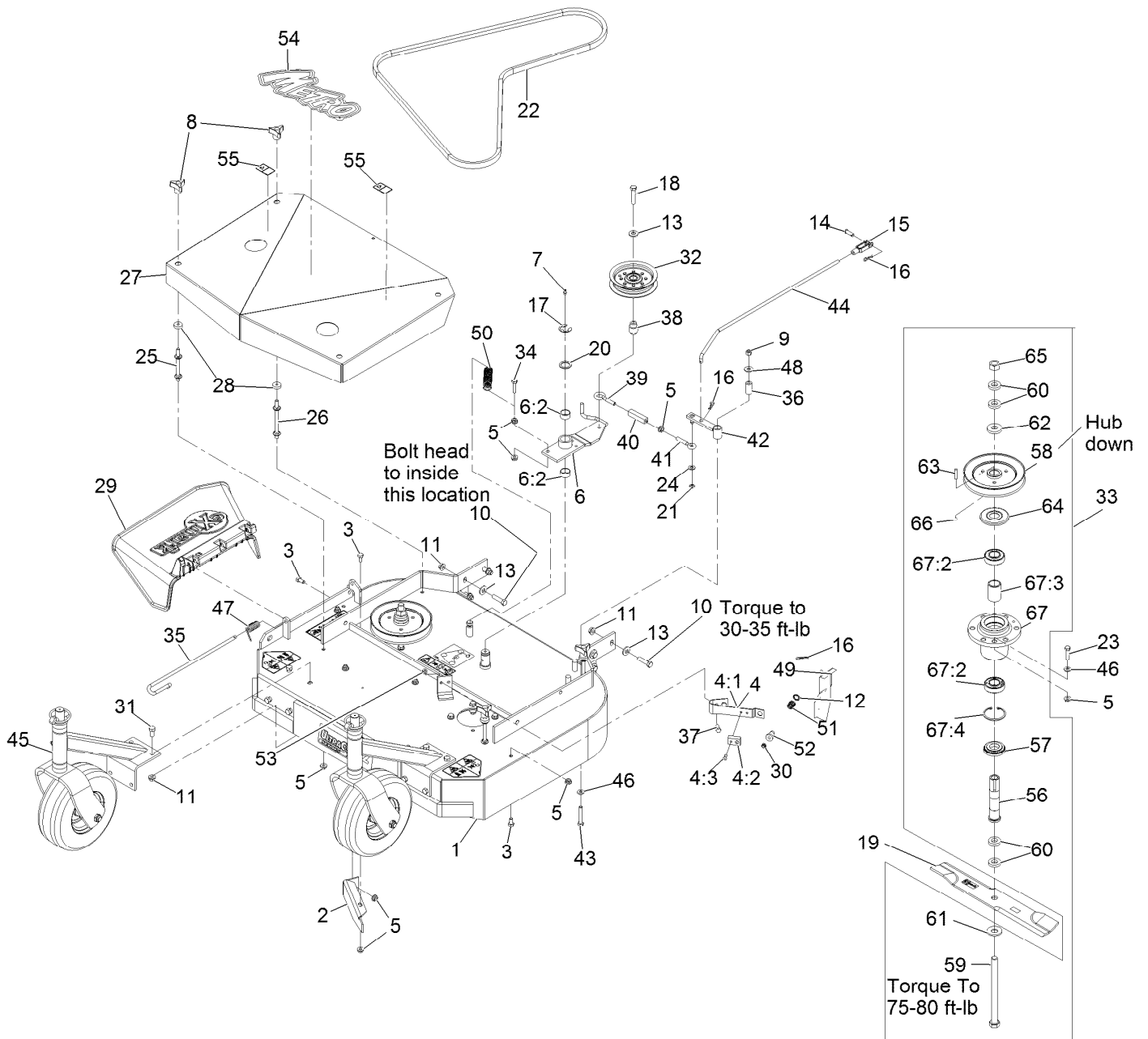


# Complete Deck Assembly (continued)

<i>Ref.</i>	<i>Part Number</i>	<i>Qty.</i>	<i>Description</i>
1		1	Deck ASM-32 ●

● Not serviced separately

# Deck Assembly



## Deck Assembly (continued)

Ref.	Part Number	Qty.	Description	Ref.	Part Number	Qty.	Description
1	103-2313	1	Deck W/Decals And Dogleg	33	103-8387	2	Asm, Cutter Housing Complete
2	116-1730-01	1	Baffle-Dogleg	34	116-3515	1	Screw,HH Special 5/16-18 X 1.25
3	322-2	7	Screw-HH	35	109-8854	1	Pin-Chute
4	1-324372	1	Pad And Spring ASM	36	1-403179	1	Tube-Pivot
4:1	1-323709	1	Pad-Brake	37	321-4	2	Screw-HH 1/4-20 X 3/4
4:2	1-323710	1	Spring,Brakeserv By #324372	38	1-303434	1	Bushing-Engagement
4:3	103-0138	2	Rivet-Pop	39	1-303348	1	Eyebolt-Thread, LH
5	32128-20	22	Nut-Whizlock 5/16-18	40	1-303236	1	Body-Turnbuckle
6	103-3600	1	Idler Arm ASM	41	1-303238	1	Eyebolt-Thread, RH
6:2	1-323729	2	Sleeve-Bearing	42	1-322235	1	Arm-Assist
7	302-19	1	Zerk-1/4-28 Str	43	322-10	1	Screw-HH 5/16-18 X 2
8	1-323385	4	Knob-3 Prong	44	1-323303	1	Arm-Assist, Linkage
9	3296-29	1	Nut-Nyloc 5/16-18	45	103-1238	2	Caster/Mount, Complete
10	323-8	8	Screw-HH 3/8-16 X 1 1/2	46	1-303334	9	Washer-Spring
11	3290-357	8	Nut-Whizlock 3/8-16	47	116-0962	1	Spring, Torsion
12	1-323748	1	Ring-Push On	48	3256-3	1	Washer-Flat
13	98-5975	9	Washer-Spring Disc 3/8	49	1-323718	1	Rod-Brake
14	1-808280	1	Pin-Clevis 5/16 X 1 49/64	50	1-323071	1	Spring-Extension
15	1-303105	1	Yoke-Adjustable	51	1-323747	1	Spring-Compression
16	1-806003	3	Hairpin-Cotter	52	1-323746	1	Spacer-Flanged
17	32151-103	1	E-Ring	53	3296-42	2	Nut-Lock, NI
18	702809	1	Screw-HH	54	103-2920	1	Decal, Metro Model
19	103-1577	2	Blade, 16.25 Solid	55	106-5517	2	Decal-Warning, Hot Surface
19	103-6581	2	Blade, 16.25 Mulching ▲	56	1-323529	2	Tube-Spindle, Short ♦
19	103-6583	2	Blade, 16.25 Notched	57	103-2535	2	Spacer-Guard, Bottom
19	103-6738	2	Blade,Low Lift 16.25	58	1-403183	2	Sheave ♦
19	116-5178	2	Blade-Extreme 2, 16.25"	59	1-800861	2	Screw-Cap, HH
20	1-303352	1	Washer-Spindle	60	1-323539	8	Spacer
21	32120-35	1	E-Ring	61	1-513208	2	Washer-Spring
22	1-323734	1	Drive Belt, (To Blades)	62	1-323339	2	Washer-Retainer, Sheave
23	322-6	8	Screw-HH 5/16-18 X 1 1/4	63	1-807267	2	Key
24	3256-23	1	Washer-5/16 Sae	64	103-1330	2	Guard-Bearing, Top ♦
25	1-303537	2	Stud-Shield, Belt (Short)	65	3219-6	2	Nut-Hex
26	1-303536	2	Stud-Shield, Belt (Long)	66	3246-18	2	Setscrew ■
27	116-2705	1	ASM,Shield W/Decals 32 Metro	67	103-8280	2	Asm, Cutter Housing W/Bearings ♦
28	1-323417	4	Washer-Belt Shield	67		2	Cutter Housing ASM ●
29	109-5151	1	Deflector-Discharge	67:2	103-2477	2	Bearing-Jackshaft
30	3296-56	1	Nut-Nyloc 1/4-20 Thin	67:3	103-2534	1	Spacer-Bearing
31	323-4	8	Screw-HH 3/8-16 X 3/4	67:4	32120-8	1	Ring-Snap
32	116-3626	1	Pulley-Idler				

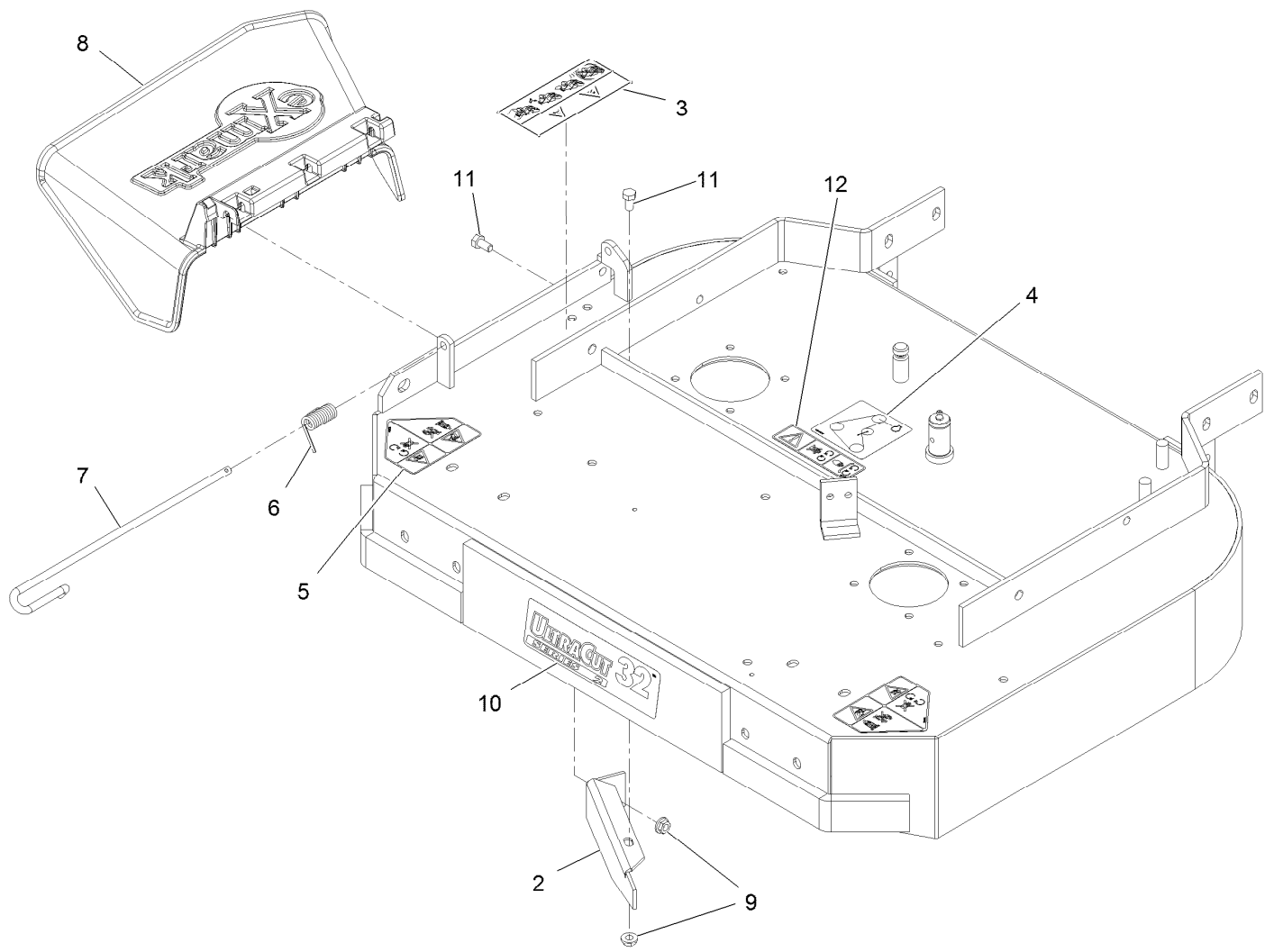
● Not serviced separately

■ Use Pro-Lock, Nut Type (P/N 1-840022, .5ml tube) on threads.

▲ Requires installation of mulch kit for proper mulching. See your Exmark dealer for details.

♦ Apply Mobil HTS grease (P/N 103-5217 1.5 oz packet) (or a food-grade anti-seize). See operator s manual for locations.

# Deck W/Decals Assembly No. 103-2313

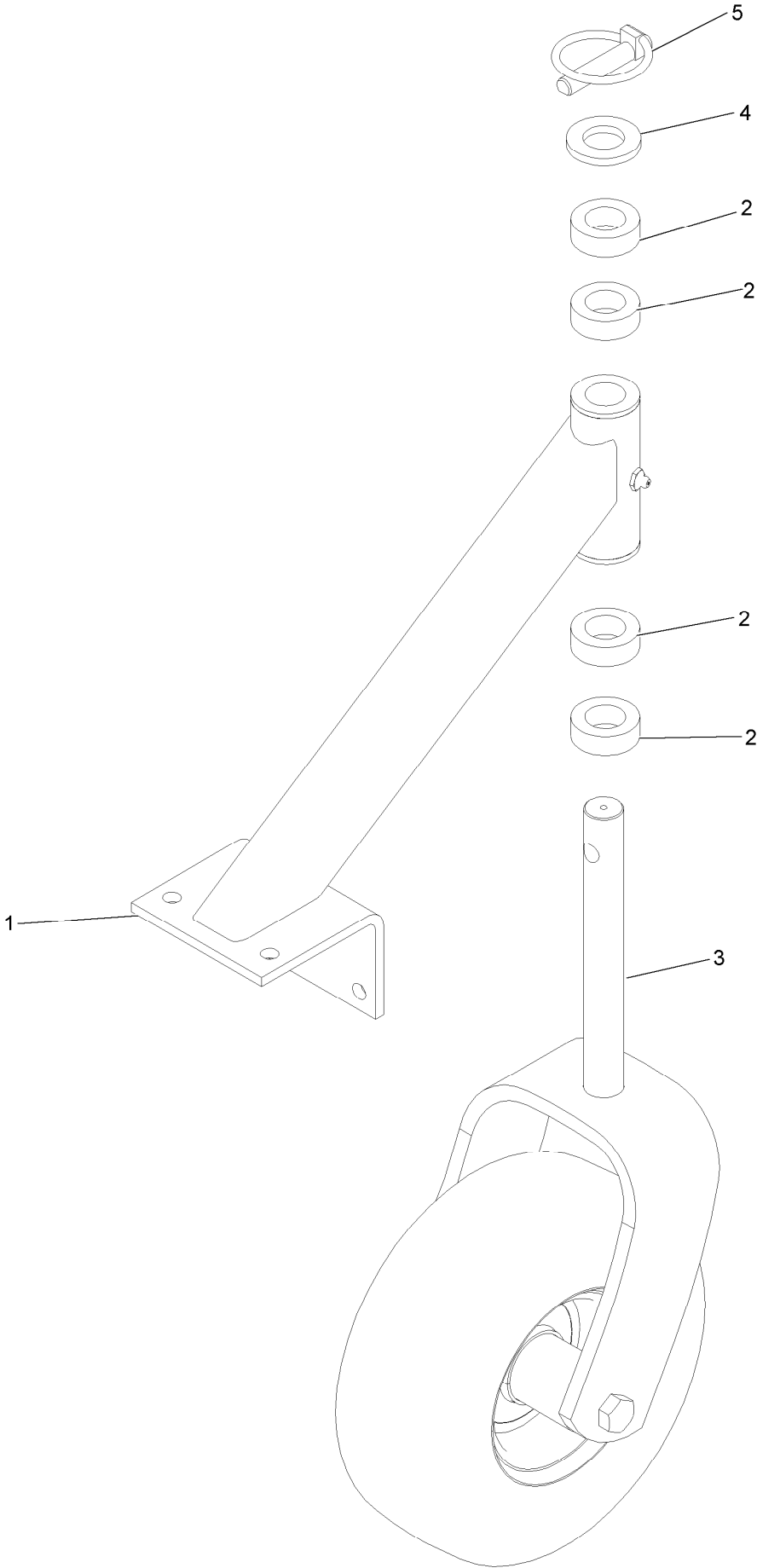




## Deck W/Decals Assembly No. 103-2313 (continued)

<i>Ref.</i>	<i>Part Number</i>	<i>Qty.</i>	<i>Description</i>	<i>Ref.</i>	<i>Part Number</i>	<i>Qty.</i>	<i>Description</i>
2	116-1730-01	1	Baffle-Dogleg	8	109-5151	1	Deflector-Discharge
3	114-3489	1	Decal-Warning, Bagger	9	32128-20	2	Nut-Whizlock 5/16-18
4	116-7877	1	Decal-Belt Routing 32-36	10	116-4846	1	Decal-Ultracut 32 Series 2
5	112-8760	2	Decal-Danger	11	322-2	2	Screw-HH 5/16-18 X 5/8
6	116-0962	1	Spring, Torsion	12	112-9028	1	Decal-Cover Missing
7	109-8854	1	Pin-Chute				

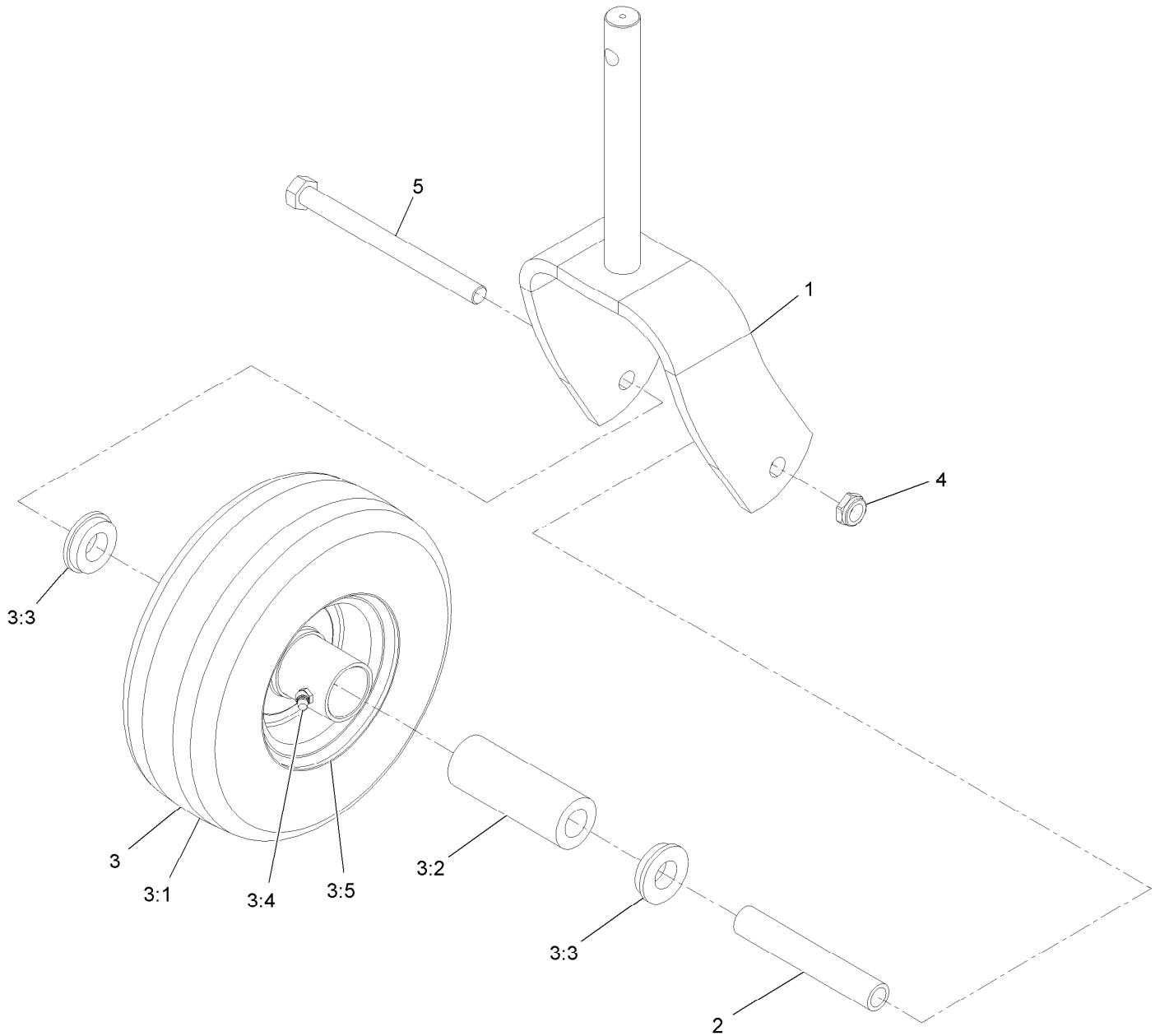
# Caster Mount Complete Assembly 103-1238



# Caster Mount Complete Assembly 103-1238 (continued)

<i>Ref.</i>	<i>Part Number</i>	<i>Qty.</i>	<i>Description</i>	<i>Ref.</i>	<i>Part Number</i>	<i>Qty.</i>	<i>Description</i>
1	1-302203	1	Support ASM	4	1-513338	1	Washer-Flat
2	1-303314	4	Spacer-Caster	5	1-809020	1	Pin
3	103-1236	1	Caster Wheel Assembly				

# Caster Wheel Assembly No. 103-1236

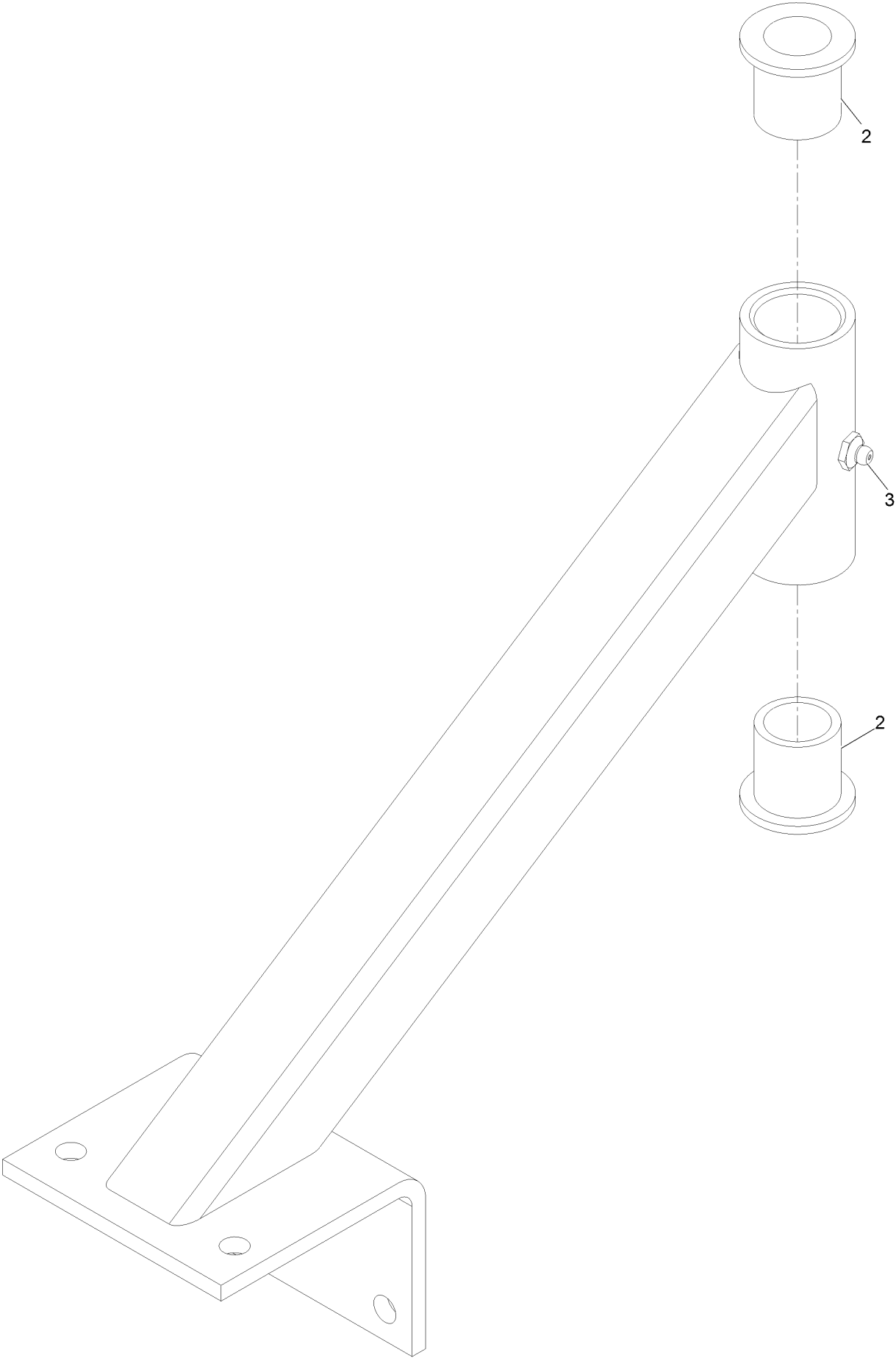


## Caster Wheel Assembly No. 103-1236 (continued)

<i>Ref.</i>	<i>Part Number</i>	<i>Qty.</i>	<i>Description</i>	<i>Ref.</i>	<i>Part Number</i>	<i>Qty.</i>	<i>Description</i>
1	116-7942-01	1	Fork-Caster	3:3	1-513810	2	Bushing
2	1-513547	1	Spacer	3:4	302-61	1	Fitting-Grease
3		1	Wheel And Tire ASM ●	3:5		1	Wheel ●
3:1		1	Tire ●	4	3296-45	1	Nut-Lock, NI
3:2	1-513809	1	Bearing	5	325-20	1	Screw-HH

● Not serviced separately

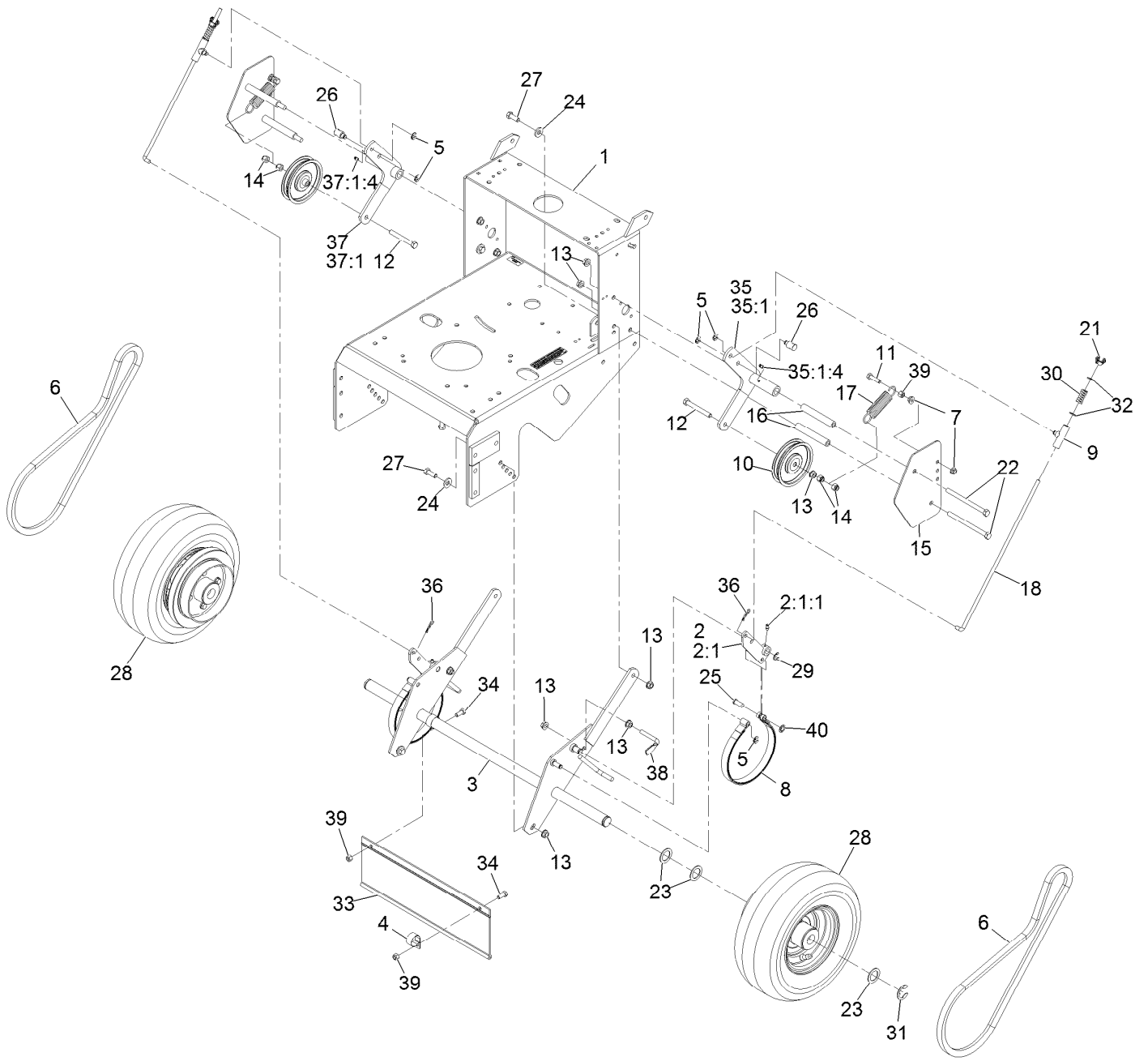
# Caster Wheel Support W/Bearings 1-302203



# Caster Wheel Support W/Bearings 1-302203 (continued)

<i>Ref.</i>	<i>Part Number</i>	<i>Qty.</i>	<i>Description</i>
2	1-303514	2	Bearing-Flanged
3	302-52	1	Fitting-Grease

# Engine Deck W/Transmission





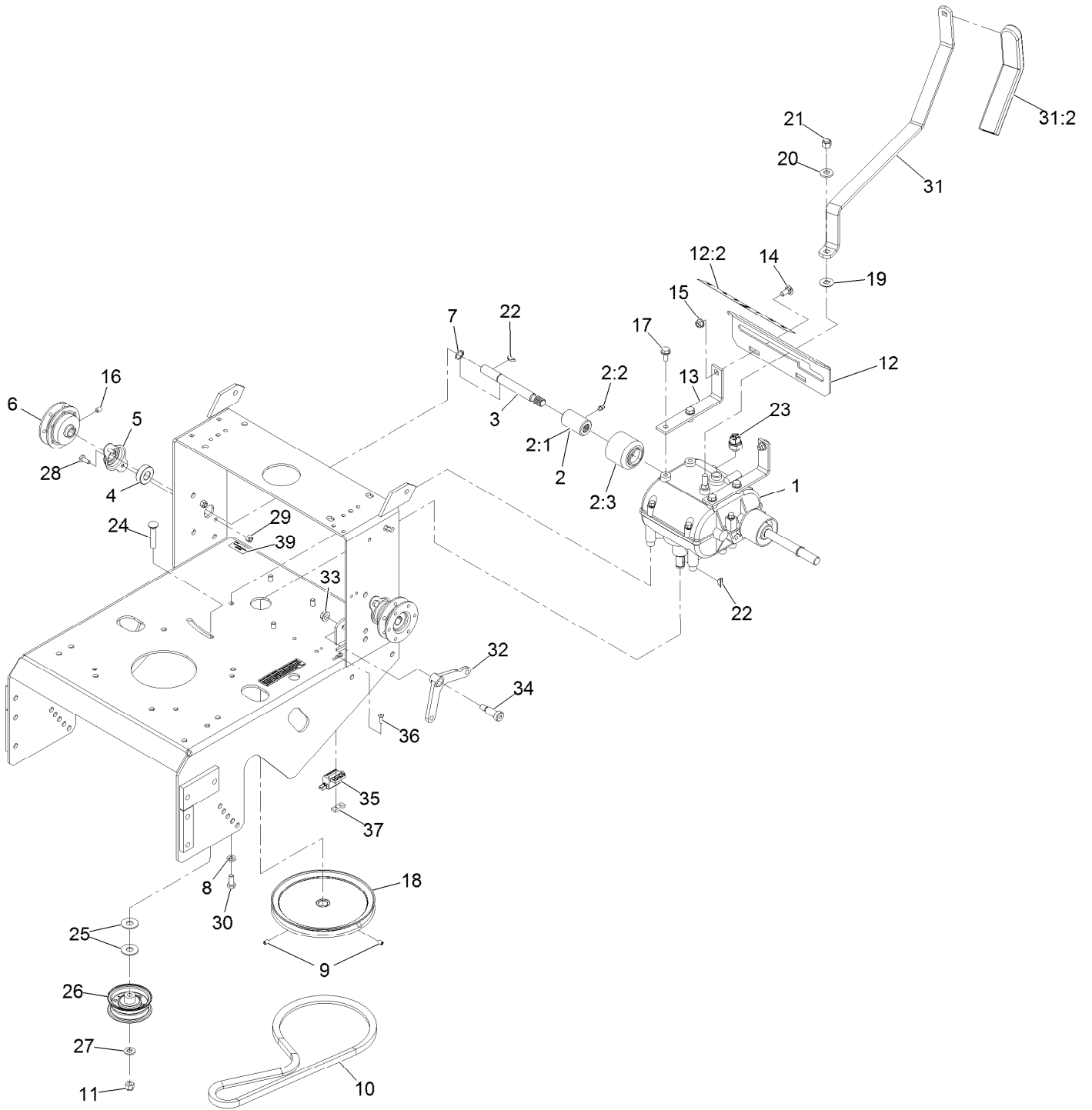
## Engine Deck W/Transmission (continued)

<i>Ref.</i>	<i>Part Number</i>	<i>Qty.</i>	<i>Description</i>	<i>Ref.</i>	<i>Part Number</i>	<i>Qty.</i>	<i>Description</i>
1	116-6131	1	ASM, Metro Engine Deck W/Decals	23	1-523157	6	Washer ●
2	103-1611-03	2	Arm-Brake	23	1-543436	8	Washer-Spacer ●
2:1		1	Wld,Brake Arm ■	24	98-5975	4	Washer-Spring Disc 3/8
2:1:1	1-324154	1	Asm,Bushing/Zerk	25	1-323307	2	Pin-Clevis 1/2 X 1
3	1-322141-03	1	Axle	26	103-1864	2	Swivel-Lever, Drive
4	2412-104	2	Clamp-R	27	323-6	4	Screw-HH 3/8-16 X 1
5	32151-47	6	Ring-Retaining	28	126-4481	2	Drive Wheel ASM
6	1-323344	2	Belt-Wheel, Drive	29	32120-47	2	Ring-Retaining
7	32128-20	4	Nut-Whizlock 5/16-18	30	1-323245	2	Spring-Compression
8	1-323262	2	Band-Brake	31	1-808519	2	Ring-Snap
9	110-5866	2	Swivel-Brake	32	3256-23	4	Washer-5/16 Sae
10	1-323352	2	Idler-Wheel, Drive	33	98-3259	1	Shield-Trailing
11	116-3515	2	Screw,HH Special 5/16-18 X 1.25	34	322-3	2	Screw-HH 5/16-18 X 3/4
12	99-8664	2	Bolt-HH 3/8-16 X 3 Tap	35	116-7542-03	1	Arm-Idler, LH
13	3290-357	14	Nut-Whizlock 3/8-16	35:1		1	Idler Arm LH Assy ■
14	3296-39	4	Nut-Nyloc 3/8-16	35:1:4	302-19	1	Fitting-Grease
15	1-323287-01	2	Shield-Wheel, Drive	36	1-806003	2	Hairpin-Cotter
16	1-323283	4	Spacer-Shield	37	116-7543-03	1	Arm-Idler, RH
17	1-603402	2	Spring-Extension	37:1		1	Idler Arm RH Assy ■
18	1-323548	2	Linkage-Brake	37:1:4	302-19	1	Fitting-Grease
21	1-513959	2	Wingnut-Nyloc 5/16	38	1-603430	2	Scraper
22	323-39	4	Screw-HH 3/8-16 X 5	39	3296-29	4	Nut-Nyloc 5/16-18
				40	1-803051	2	Nut-Push 3/8

● QTY As Required

■ Not serviced separately

# Engine Deck W/Transmission (cont.)



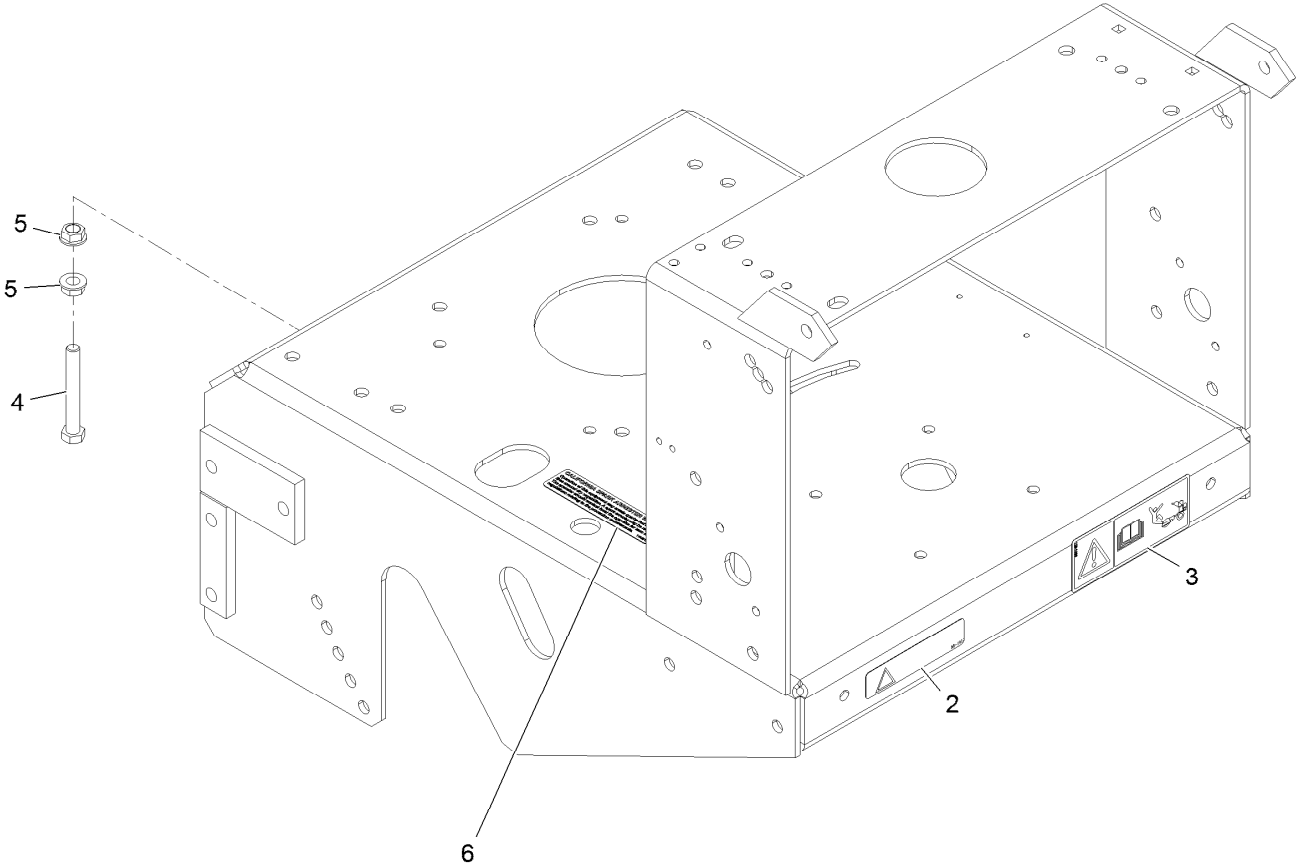
## Engine Deck W/Transmission (cont.) (continued)

<i>Ref.</i>	<i>Part Number</i>	<i>Qty.</i>	<i>Description</i>	<i>Ref.</i>	<i>Part Number</i>	<i>Qty.</i>	<i>Description</i>
1	1-323500	1	Transmission	18	1-323278	1	Sheave-Transmission ●
2	1-324340	2	Coupling, W/Guard And Zerk	19	1-323379	1	Washer
2:1	1-323680	1	Coupler	20	98-5975	1	Washer-Spring Disc 3/8
2:2	302-19	1	Zerk-1/4-28 Str	21	3296-6	1	Nut-Nyloc 3/8-24
2:3	51-4220	1	Guard-Coupler	22	3257-5	3	Key-Woodruff #9 3/4 X 3/16
3	1-323502	2	Shaft-Transmission	23	1-303282	1	Switch-Start, Neutral
4	1-323252	2	Bearing-Shaft ●	24	3231-6	1	Bolt-Carriage 3/8-16 X 2
5	1-323254	2	Flange-Output	25	3256-5	2	Washer-7/16 Std
6	103-6512	2	Sheave-Transmission ●	26	130-8362	1	Pulley-Idler, Flat
7	32151-62	2	Ring-Retaining	27	3256-24	1	Washer-3/8 Sae
8	1-805005	4	Washer-Lock 5/16 Heavy	28	321-3	4	Screw-HH 1/4-20 X 5/8
9	3245-41	2	Setscrew-1/4-20 X 3/8 ■	29	3296-42	4	Nut-Nyloc 1/4-20
10	1-323280	1	Belt, Transmission Drive	30	322-3	4	Screw-HH 5/16-18 X 3/4
11	3296-39	1	Nut-Nyloc 3/8-16	31	103-1606	1	Lever, Shift W/Grip
12	103-3498	1	Asm, Shifter Plate (1-323387-03) W/ Decals	31:2	103-1733	1	Grip Foam
12:2	98-3264	1	Decal-Speed, Ground	32	1-303186	1	Bellcrank
13	1-323389-03	2	Bracket-Plate, Shift	33	3290-357	1	Nut-Whizlock 3/8-16
14	3230-1	2	Bolt-Carriage 5/16-18 X 3/4	34	1-603403	1	Bolt-Shoulder
15	104-8300	2	Nut-Nyloc 5/16-18 Flg	35	1-513051	1	Switch-N.O.
16	3246-18	2	Setscrew-5/16-18 X 3/8 ■	36	3290-500	2	Screw-PPH #10-24 X 5/8
17	32144-11	4	Screw-HWH 5/16-18 X 3/4 Tf	37	1-633181	1	Plate-Tapped
				39	126-4345	1	Decal-Patent Ttco.Com

● Apply anti-seize compound in bore.

■ Use Pro-Lock, Nut Type (P/N 1-840022, .5ml tube) on threads.

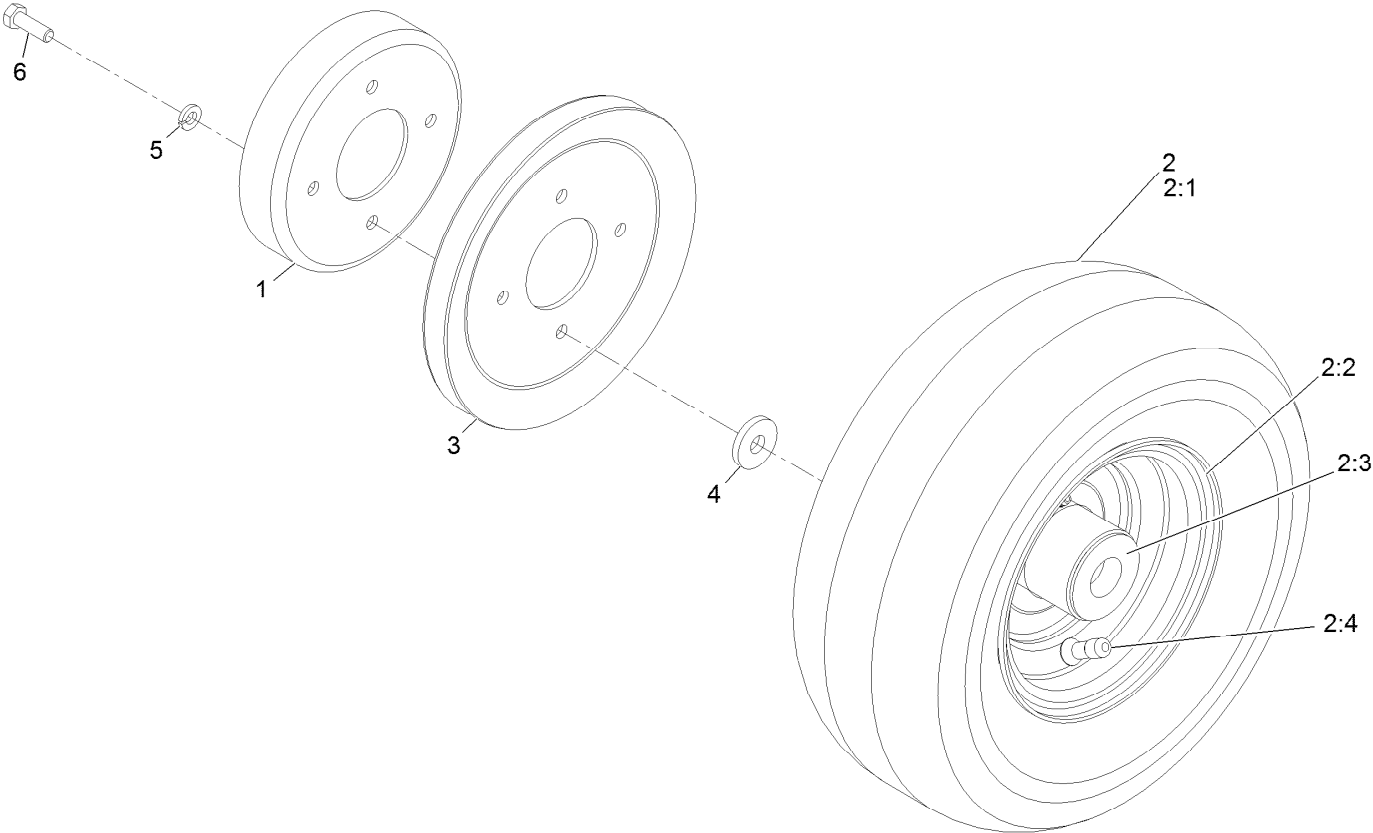
# Engine Deck W/Decals Assembly No. 116-6131



# Engine Deck W/Decals Assembly No. 116-6131 (continued)

<i>Ref.</i>	<i>Part Number</i>	<i>Qty.</i>	<i>Description</i>	<i>Ref.</i>	<i>Part Number</i>	<i>Qty.</i>	<i>Description</i>
2	98-1977	1	Decal-Warning	5	3290-357	2	Nut-HHF, Whiz
3	126-1400	1	Decal-Warning, Sulky	6	117-2718	1	Decal-Arrester, Spark
4	323-13	1	Screw-HH				

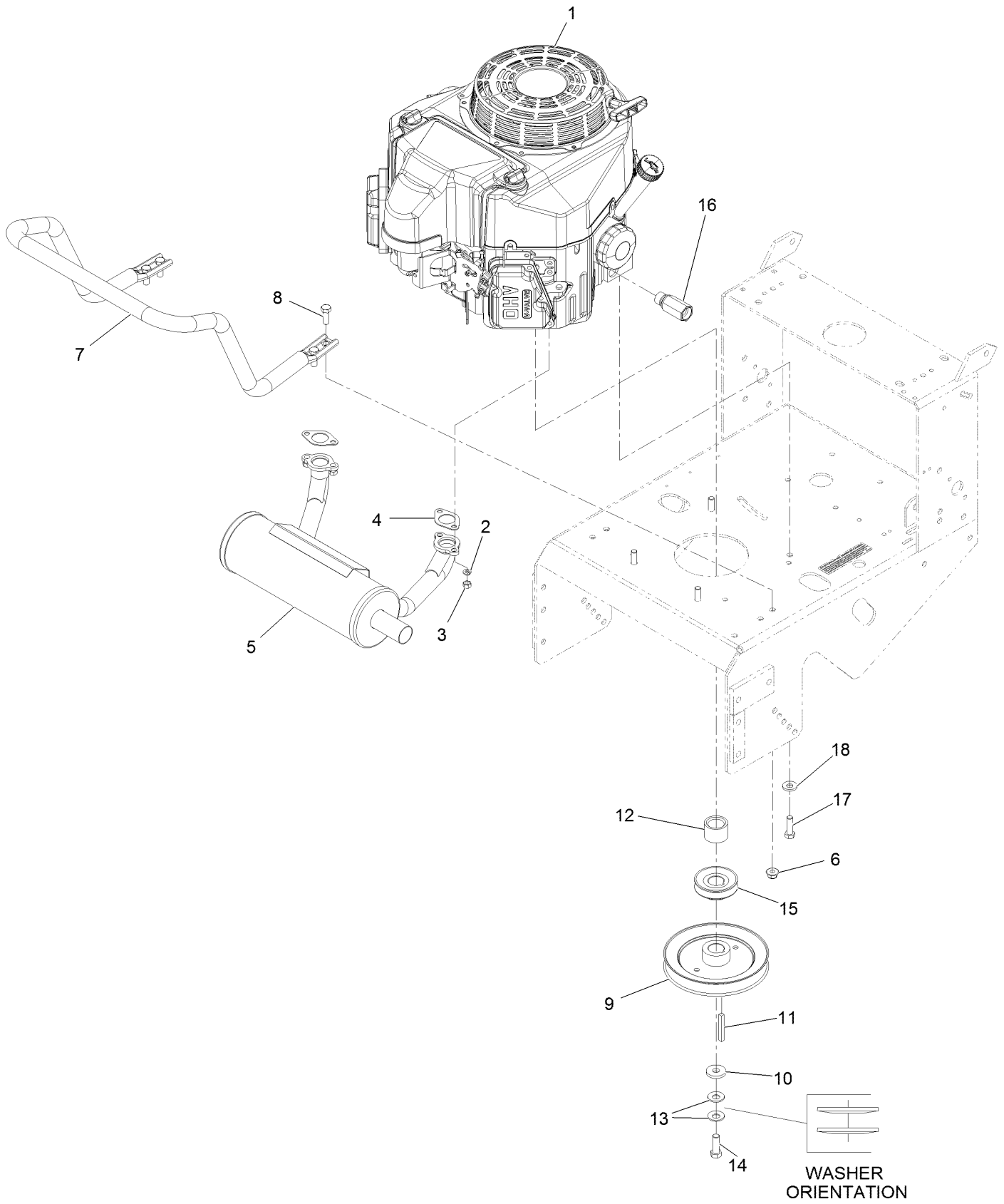
# Wheel and Tire Assembly No. 126-4481



## Wheel and Tire Assembly No. 126-4481 (continued)

<i>Ref.</i>	<i>Part Number</i>	<i>Qty.</i>	<i>Description</i>	<i>Ref.</i>	<i>Part Number</i>	<i>Qty.</i>	<i>Description</i>
1	1-323261	1	Drum-Brake	3	1-323349	1	Sheave-Wheel, Drive
2	130-8366	1	Wheel And Tire ASM	4	1-373034	4	Washer
2:1	130-8368	1	Tire	5	1-805005	4	Washer-Lock 5/16 Heavy
2:2	1-323360	1	Wheel And Hub ASM	6	322-5	4	Screw-HH 5/16-18 X 1
2:3	232-27	1	Stem-Valve				
2:4	302-5	1	Zerk 1/4-28 Str Thrd Forming				

# Engine Assembly





## Engine Assembly (continued)

<i>Ref.</i>	<i>Part Number</i>	<i>Qty.</i>	<i>Description</i>	<i>Ref.</i>	<i>Part Number</i>	<i>Qty.</i>	<i>Description</i>
1		1	Engine-Kawasaki ●▲	10	1-373034	1	Washer
2	114-3550	4	Washer-Lock, Spring	11	103-4177	1	Key
3	114-3549	4	Nut-M8	12	1-633453	1	Spacer-Clutch
4	1-653313	2	Gasket-Exhaust	13	1-603610	2	Washer-Spring Disc 7/16
5	116-3734	1	Muffler-Horizontal, Offset	14	116-3702	1	Screw-HH ◆
6	104-8301	4	Nut-Nyloc 3/8-16 Flg	15	103-1666	1	Sheave-Transmission ■
7	116-6278-03	1	Guard-Muffler	16	103-2587	1	Adapter
8	323-6	4	Screw-HH 3/8-16 X 1	17	323-7	4	Screw-HH 3/8-16 X 1 1/4
9	103-1667	1	Sheave ■	18	98-5975	4	Washer-Spring Disc 3/8

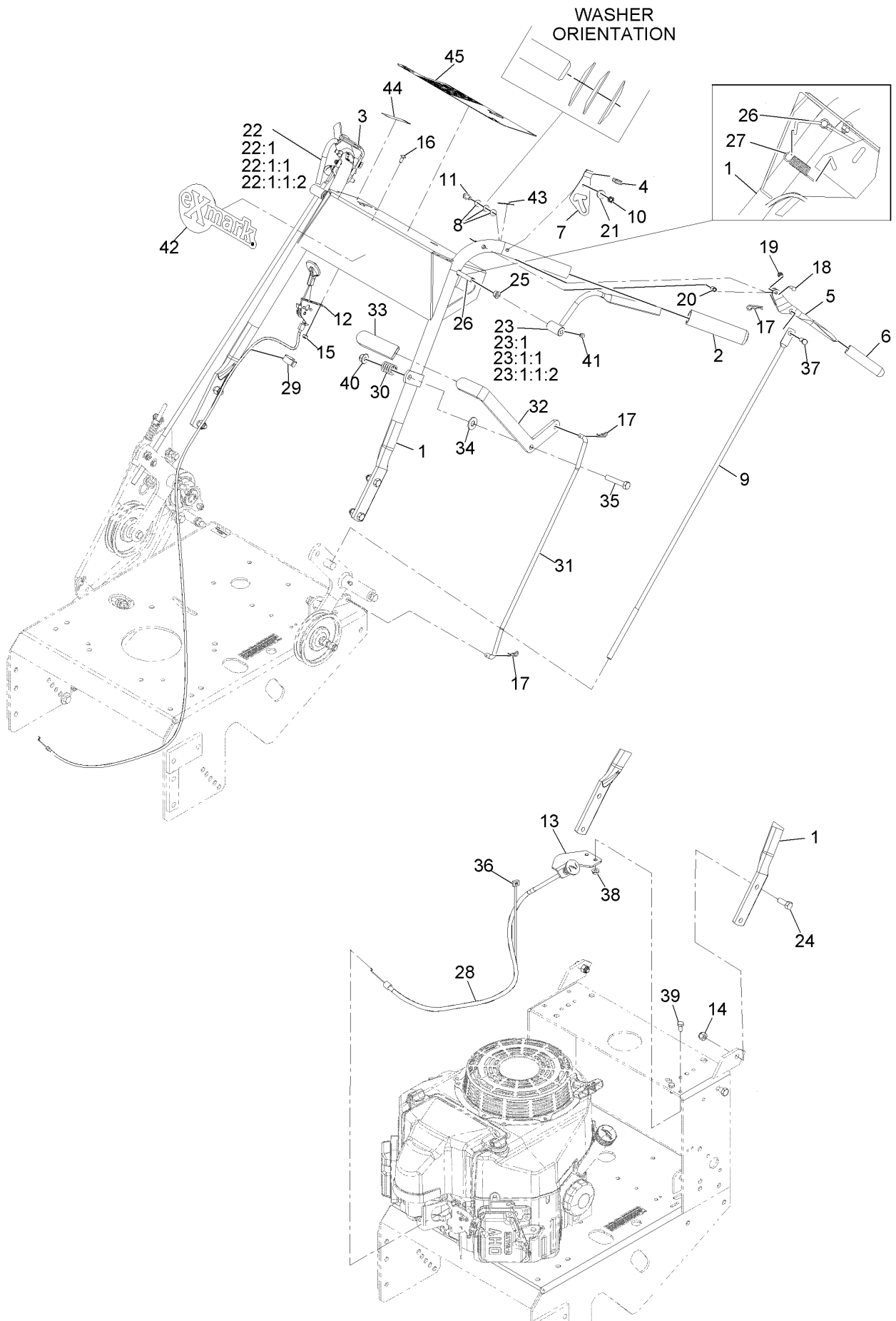
● Not serviced separately

▲ Obtain parts from [www.kawpowerepc.com](http://www.kawpowerepc.com)

◆ Use Pro-Lock, Nut Type (P/N 1-840022, .5ml tube) on threads.

■ Apply anti-seize compound in bore.

# Pistol Grip Upper Handle and Controls



## Pistol Grip Upper Handle and Controls (continued)

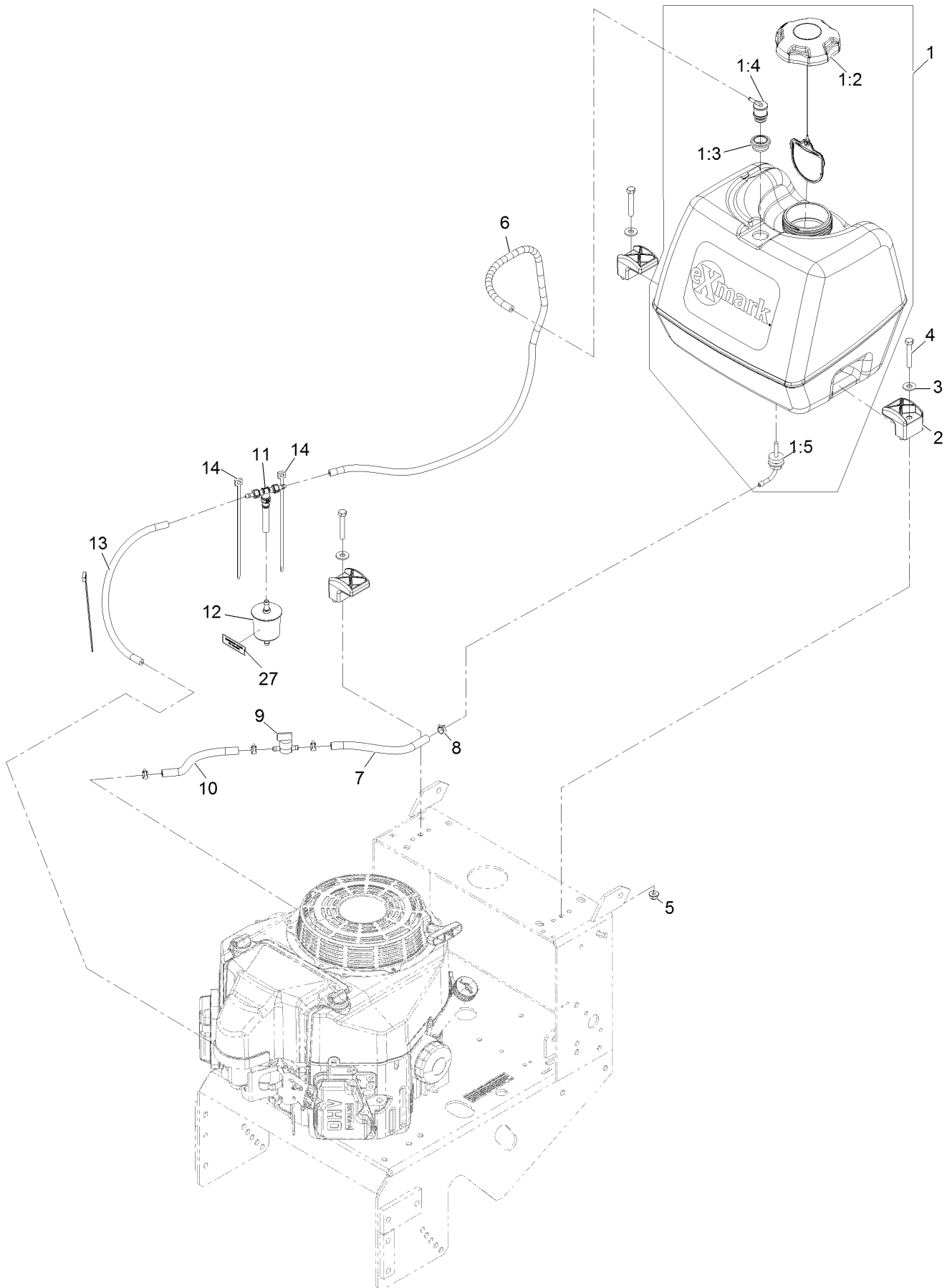
<i>Ref.</i>	<i>Part Number</i>	<i>Qty.</i>	<i>Description</i>	<i>Ref.</i>	<i>Part Number</i>	<i>Qty.</i>	<i>Description</i>
1	109-4682-03	1	Wld,Handle Metro	23	1-412183-03	1	Lever-LH ▲
1	109-4695	1	Kit, Handle (109-4682-03) W/Decals	23:1		1	Lever ●
2	104-9838	2	Grip-Foam	23:1:1		1	ASM,Hub/Setscrew ●
3	1-324279	1	LH Thumb Latch ASM	23:1:1:2	1-803322	1	Setscrew-5/16-24 X 5/16 ■
4	1-303019	2	Grip-Latch	24	323-6	4	Screw-HH 3/8-16 X 1
5	1-302006	2	Drive Lever ASM	25	1-303365	2	Bushing-Nylon
6	1-303021	2	Grip-Lever, Drive	26	1-322192-03	1	Rod Weldmt, Opc
7	1-324280	1	RH Thumb Latch ASM	27	1-303363	1	Spring-Extension
8	1-303435	6	Washer-Spring Disc 1/4	28	103-1796	1	Cable-Choke
9	1-323359	2	Linkage-Wheel, Drive	29	1-303088	1	Clip-Cable
10	3296-42	2	Nut-Nyloc 1/4-20	30	1-303160	1	Spring-Compression
11	321-18	2	Screw-HH 1/4-20 X 2 1/4	31	1-323298	1	Linkage-Blade, Upper
12	116-2426	1	Control, Throttle	32	116-6331	1	Lever ASM
13	103-1797-01	1	Bracket-Cable, Choke	33	1-303020	1	Grip-Lever
14	3296-39	4	Nut-Nyloc 3/8-16	34	3256-4	1	Washer-Flat
15	3296-2	2	Nut-Nyloc #10-24	35	323-10	1	Screw-HH
16	1-807513	2	Bolt-Carriage #10-24 X 1/2	36	1-303335	1	Tie-Plastic
17	1-806003	4	Hairpin-Cotter	37	1-808286	2	Pin-Clevis
18	1-808250	2	Pin-Lever, Drive	38	32128-33	2	Nut-HF
19	1-803001	2	Nut	39	321-3	2	Screw-HH
20	1-806340	2	Pin-Roll	40	104-8301	1	Nut-Flange, NI
21	1-323549	2	Spacer	41	1-803322	2	Setscrew-5/16-24 X 5/16 ■
22	1-412185-03	1	Lever-RH ▲	42	103-2882	1	Decal, Exmark Logo
22:1		1	Lever ●	43	116-7878	2	Decal-Neutral Brake
22:1:1		1	ASM,Hub/Setscrew ●	44	106-2733	1	Decal-Throttle
22:1:1:2	1-803322	1	Setscrew-5/16-24 X 5/16 ■	45	116-7880	1	Decal-Console Metro Pg

● Not serviced separately

■ Use Pro-Lock, Nut Type (P/N 1-840022, .5ml tube) on threads.

▲ Use Pro-Lock retaining type, Part no. 1-840023 (.5cc tube) on inside of bore of OPC hub.

# Fuel Assembly



## Fuel Assembly (continued)

<i>Ref.</i>	<i>Part Number</i>	<i>Qty.</i>	<i>Description</i>	<i>Ref.</i>	<i>Part Number</i>	<i>Qty.</i>	<i>Description</i>
1	126-1525	1	ASM, Fuel Tank	7	109-0650	1	Hose-Fuel
1:2	120-5461	1	Cap-Fuel, Ratcheting	8	2412-98	4	Clamp-Hose
1:3	114-0284	1	Grommet	9	1-603770	1	Valve-Fuel
1:4	119-3547	1	Valve-Vent, Fuel	10	99-9415	1	Hose-Fuel
1:5	103-2605	1	Fitting-Fuel Bulkhead W/Strainer ♦	11	116-5464	1	Tee And Check
2	107-4543	2	Clamp	12	120-2235	1	Filter-Fuel
3	3256-3	2	Washer-5/16 Std	13	115-7872	1	Hose-Fuel
4	322-10	2	Screw-HH 5/16-18 X 2	14	1-303335	3	Tie-Cable 7 15/16 (Large)
5	104-8300	2	Nut-Nyloc 5/16-18 Flg	27	116-4769	1	Decal-Filter, Emissions
6	116-4346	1	Hose-Emissions	28		1	Pn 41019-1055 Filter W/6In Fuel Line ●■▲

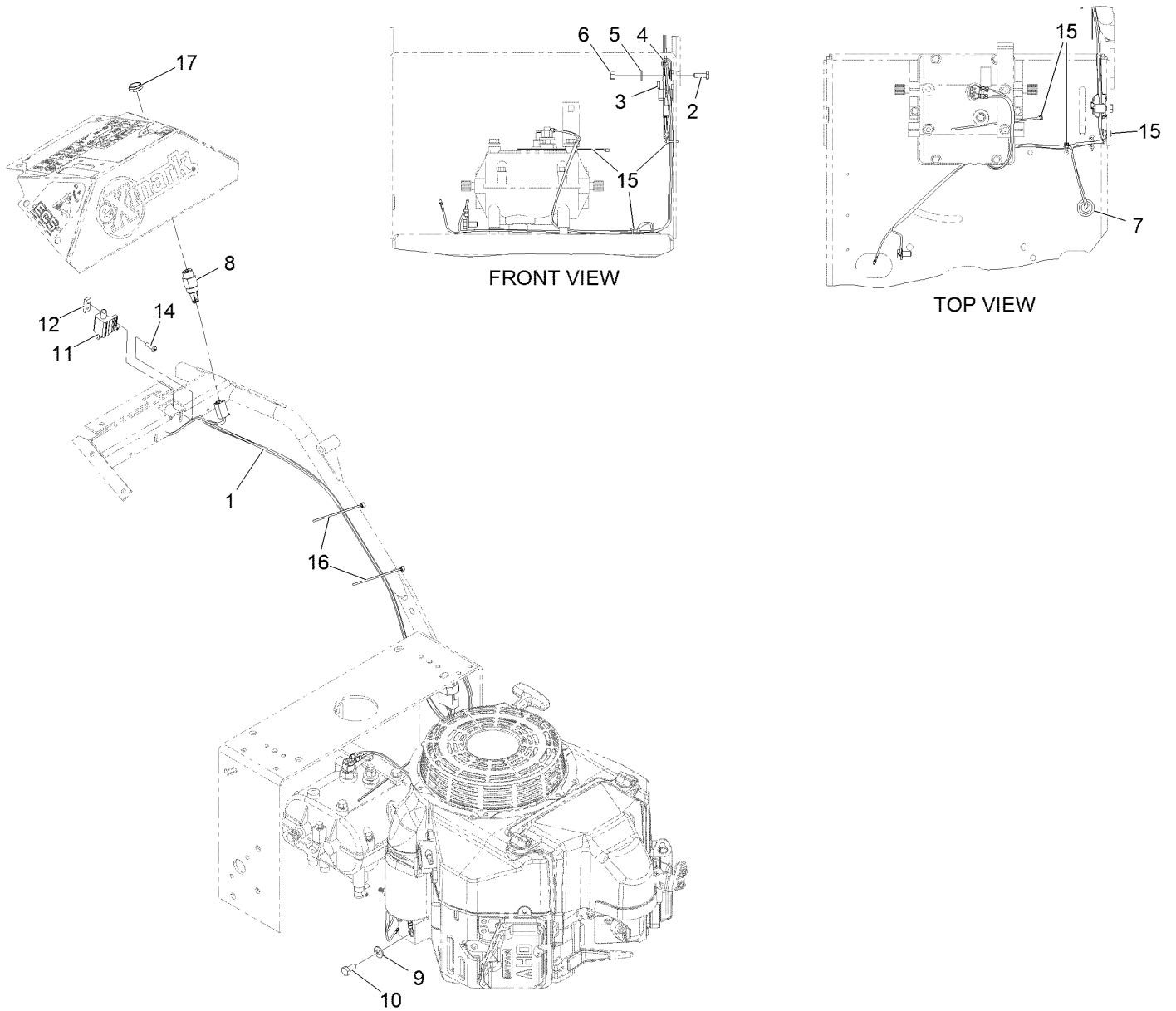
● Not illustrated

▲ Obtain parts from [www.kawpowerepc.com](http://www.kawpowerepc.com)

♦ Use Pro-Lock, Nut Type (P/N 1-840022, .5ml tube) on threads.

■ Not serviced separately

# Electrical Assembly



## Electrical Assembly (continued)

<i>Ref.</i>	<i>Part Number</i>	<i>Qty.</i>	<i>Description</i>	<i>Ref.</i>	<i>Part Number</i>	<i>Qty.</i>	<i>Description</i>
1	116-2661	1	Harness-Wire ●	9	33094-00	1	Washer
2	321-4	1	Screw-HH 1/4-20 X 3/4	10	33114-016	1	Screw-HH M8-1.25 X 16Mm
3	1-323430	1	Module-Interlock	11	1-513051	1	Switch-N.O.
4	1-513762	1	Clip-Loom 1/2	12	1-633181	1	Plate-Tapped
5	3256-22	1	Washer-1/4 Sae	14	3290-500	2	Screw-PPH #10-24 X 5/8
6	3296-42	1	Nut-Nyloc 1/4-20	15	1-303287	3	Tie-Cable 5 1/2 (Small)
7	1-543296	1	Grommet	16	1-303287	2	Tie-Cable 5 1/2 (Small)
8	1-403121	1	Switch & Key (Includes Nut & Washer)	17	103-0498	1	Nut-Ignition

● Use dielectric grease on all unsealed connectors and terminals only. Do not apply in sealed connectors.

**Notes:**



**Notes:**

**Notes:**

# EXMARK® MAINTENANCE

## MAXIMIZE THE PERFORMANCE OF YOUR EXMARK.

### **4-CYCLE PREMIUM ENGINE OIL**

Part No. 116-3373

Both SAE 30 and SAE 10W-30 in one bottle.

Contains increased levels of zinc and phosphorus for better lubricity.

No Viscosity Index Improvers that tend to shear down in high heat.

Synthetic formulation.

Gas & Diesel compatible.

Anti-corrosion additives.

API 'SL' and JASO rated with wet clutch compatibility for other machines.

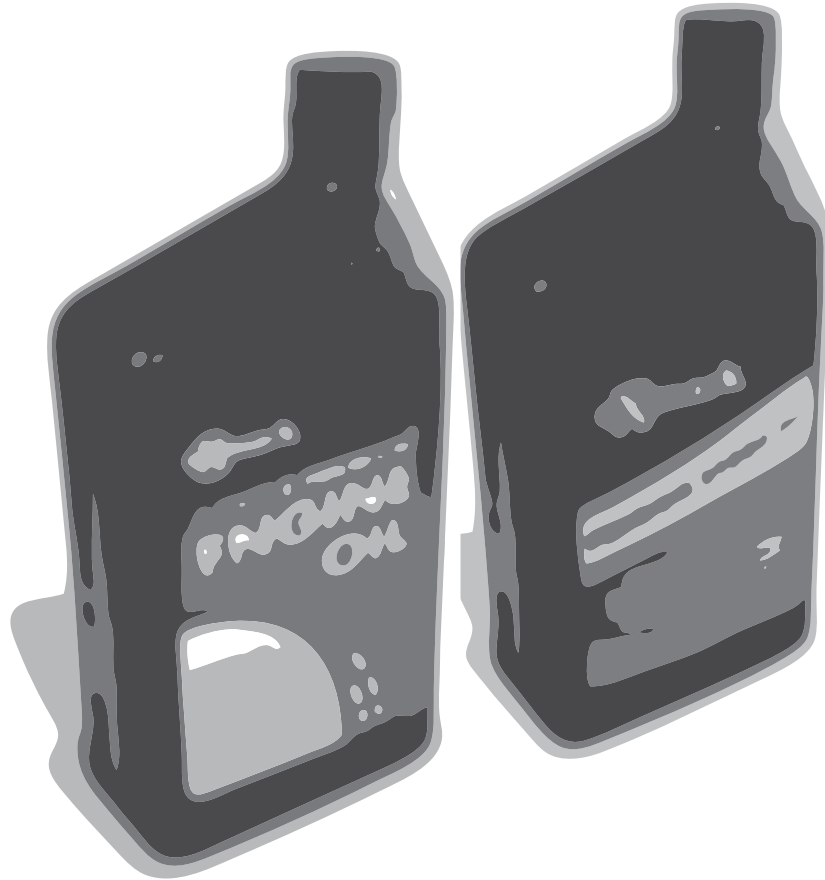
### **PREMIUM HYDRO OIL**

Part No. 109-9828

Commercial quality for tough, high-heat conditions.

Designed specifically for zero-turn mower hydraulic systems.

Superior shear resistance under heavy loads.



Available from your local Exmark dealer. Find your closest dealer at [exmark.com](http://exmark.com)

## EXMARK ACCESSORIES AND OPTIONS\*

### MID-MOUNT RIDING ACCESSORIES AND OPTIONS

CUSTOM RIDE SEAT SUSPENSION SYSTEM	OPERATOR CONTROLLED DISCHARGE
FULL SUSPENSION SEAT	SUN SHADE
DECK LIFT ASSIST KIT	TRASH CONTAINER
HITCH KIT	TURF STRIPER
LIGHT KIT	ULTRA VAC COLLECTION SYSTEM
12V POWER PORT	ULTRA VAC QUICK DISPOSAL SYSTEM
MICRO-MULCH SYSTEM	

### OUT-FRONT RIDING ACCESSORIES AND OPTIONS

CUSTOM RIDE SEAT SUSPENSION SYSTEM	SNOW BLADE
DUAL-TAIL WHEEL	SNOWBLOWER
FLOOR PAN EXTENDER	SUN SHADE
HITCH KIT	TRASH CONTAINER
LIGHT KIT	ULTRA VAC COLLECTION SYSTEM
MICRO-MULCH SYSTEM	ULTRA VAC QUICK DISPOSAL SYSTEM
ROLL OVER PROTECTION SYSTEM (ROPS)	WEATHER CAB

### WALK-BEHIND ACCESSORIES AND OPTIONS

GRASS CATCHER	TURF STRIPER
MICRO-MULCH SYSTEM	STANDON

\*Some accessories and options not available for some models.

Place Model No. and Serial No.  
Label Here (Included in the Literature  
Pack) or Fill in Below

Model No. \_\_\_\_\_

Serial No. \_\_\_\_\_

Date Purchased \_\_\_\_\_

Engine Model No. and Spec. No. \_\_\_\_\_

Engine Serial No. (E/No) \_\_\_\_\_

© 2015 Exmark Mfg. Co., Inc.  
Industrial Park Box 808  
Beatrice, NE 68310  
All Rights Reserved

Part No. 4502-024 Rev. A  
(402) 223-6300  
Fax (402) 223-5489  
Printed in the USA.

