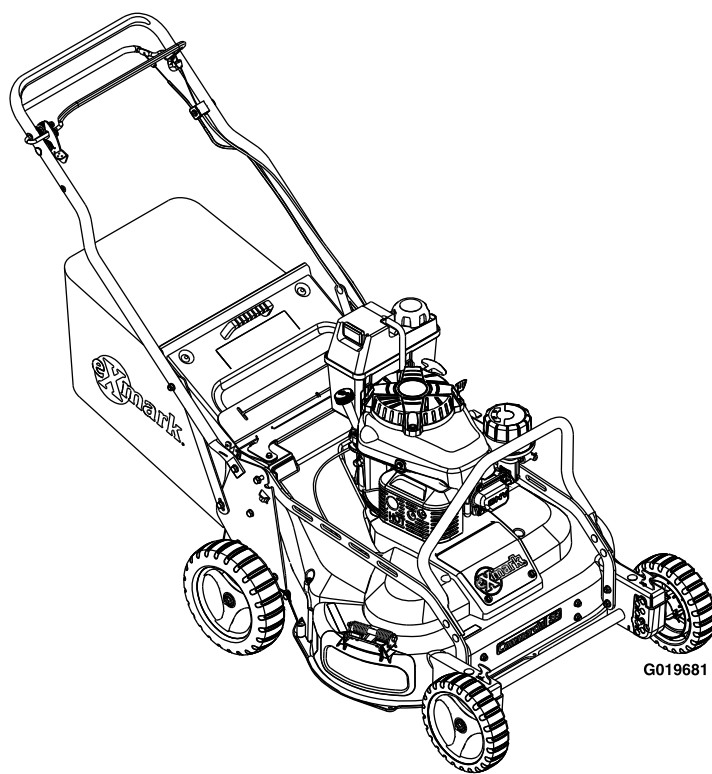




COMMERCIAL 30

Model No. ECKA30—Serial No. 31400000 and Up

Picture below may not reflect actual product.



G019681

Parts Manual

Part No. 4501-845 Rev. B

Ordering Replacement Parts

To order replacement parts, please supply the part number, the quantity, and the description of each part desired.

Understanding Reference Numbers

Each identified part in an illustration has a reference number. The reference number for a part also appears in the parts list, along with other information about the part.

This catalog uses two special reference number formats, one to indicate parts in a service assembly and another to indicate the quantity of a given part in an illustration.

Service Assembly Reference Numbers

Parts in service assemblies have reference numbers in the form a:b. The a represents the reference number of the entire service assembly and the b represents a sequential number unique to each part within the service assembly.

For example, a wheel assembly might be identified by reference number 6, the tire by 6:1, the valve by 6:2, and the wheel by 6:3. When you order the assembly identified by reference number 6, you receive all parts identified by reference numbers 6:1, 6:2, and 6:3. However, you may also order any part individually. Reference numbers of this type appear in illustration and in parts lists.

Reference Numbers Indicating Quantity

In an illustration, if a reference number indicates more than one part, the reference number has the form nX y. The n represents the quantity of the part, the X is the multiplication symbol, and the y represents the reference number.

For example, in an illustration, the reference number 2X 37 means that two of the parts identified by reference number 37 are indicated.

List of Abbreviations

AR: as required	HLH: hex lag head	PTH: phillips truss head
ASM: assembly	HOC: height-of-cut	PTO: power-take-off
BBC: blade brake control	HP: high pressure	RH: right hand
BHTF: button head thread forming	HSBH: hex socket button head	ROPS: roll-over protection system
CARR: carriage	HSFH: hex socket flat head	RRB: rear roller brush
CCW: counter clockwise	HSH: hex socket head	SFH: slotted fillister head
CW: clockwise	HWH: hex washer head	SHH: slotted hex head
DEG: degrees	HWHTF: hex washer head thread forming	SHWH: slotted hex washer head
DPA: Dual Point Adjustment	HYD: hydraulic	SPH: slotted pan head
ECM: electronic control module	LH: left hand	SQH: square head
EXT: external	LP: low pressure	SRH: slotted round head
FH: flat head	LPG: Liquefied Petroleum Gas	STD: standard
GA: gauge	NI: nylon insert	TAP: self tapping
HD: heavy-duty	NPTF: national pipe thread fine	TTH: torx truss head
HF: hex flange	PFH: phillips flat head	
HH: hex head	PPH: phillips pan head	
HHF: hex head flange	PPHTF: phillips pan head thread forming	
HHFTF: hex head flange thread forming	PRH: phillips round head	
HJ: hex jam		

Touch Up Paint

Exmark black touch up spray paint – gloss black.

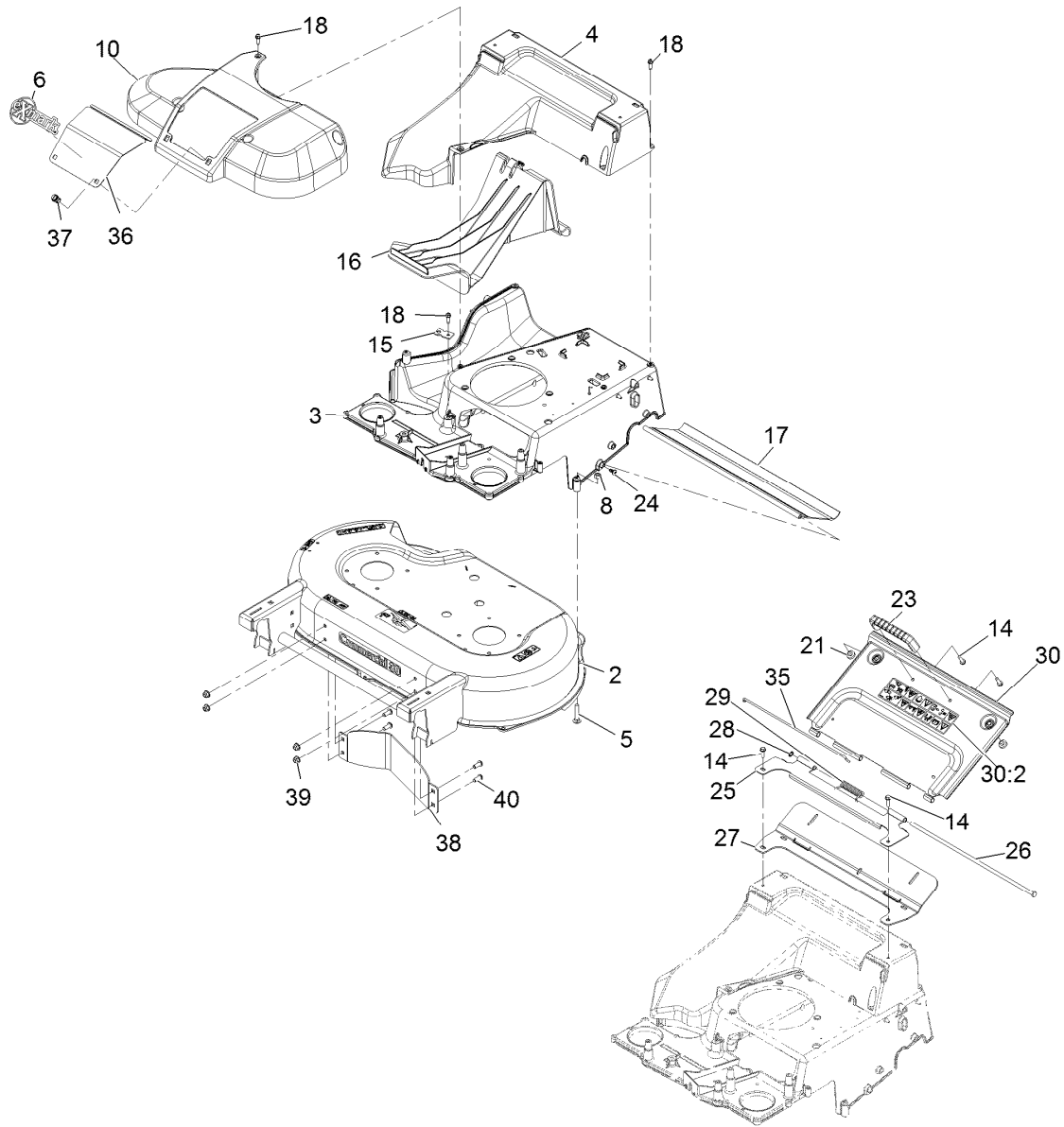
Exmark red touch up paint (spray paint – P/N 1-850337 - .6 oz liquid bottle – P/N 103-9140).



If your Exmark dealer does not have the Exmark part in stock, Exmark will get the parts to the dealer the next business day or the part will be FREE Guaranteed!! (Some restrictions apply. See your participating Exmark Dealer for details.)

Contents

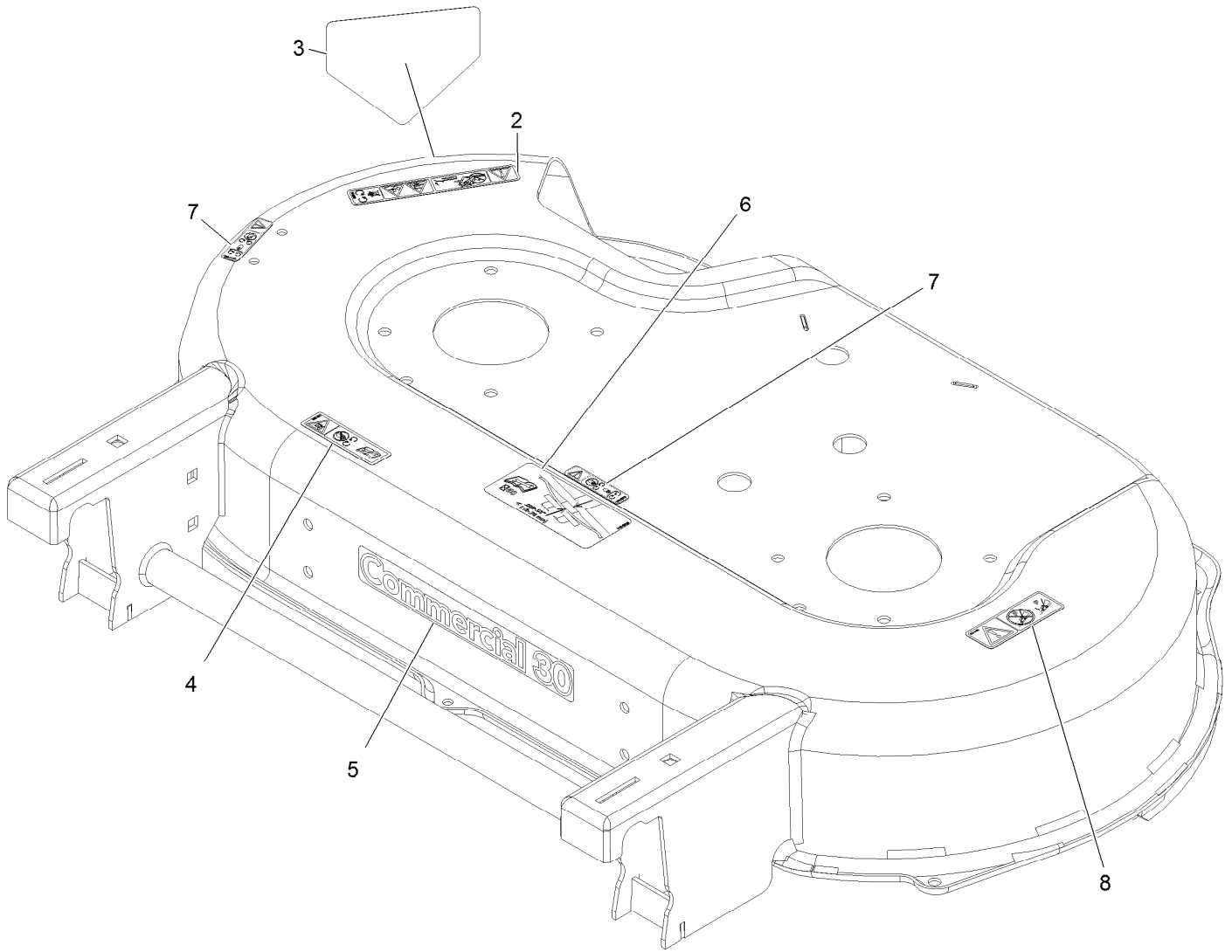
Deck, Frame, and Chute Assembly	4
Deck W/Decals	5
Spindle and Blade Assembly	6
Side Discharge Chute Assembly	7
Engine and Fuel Tank Assembly	8
Bag Assembly	9
Front Bumper and Wheel Assembly	10
Deck and Wheel Assembly	11
Handle Assembly	12



Deck, Frame, and Chute Assembly

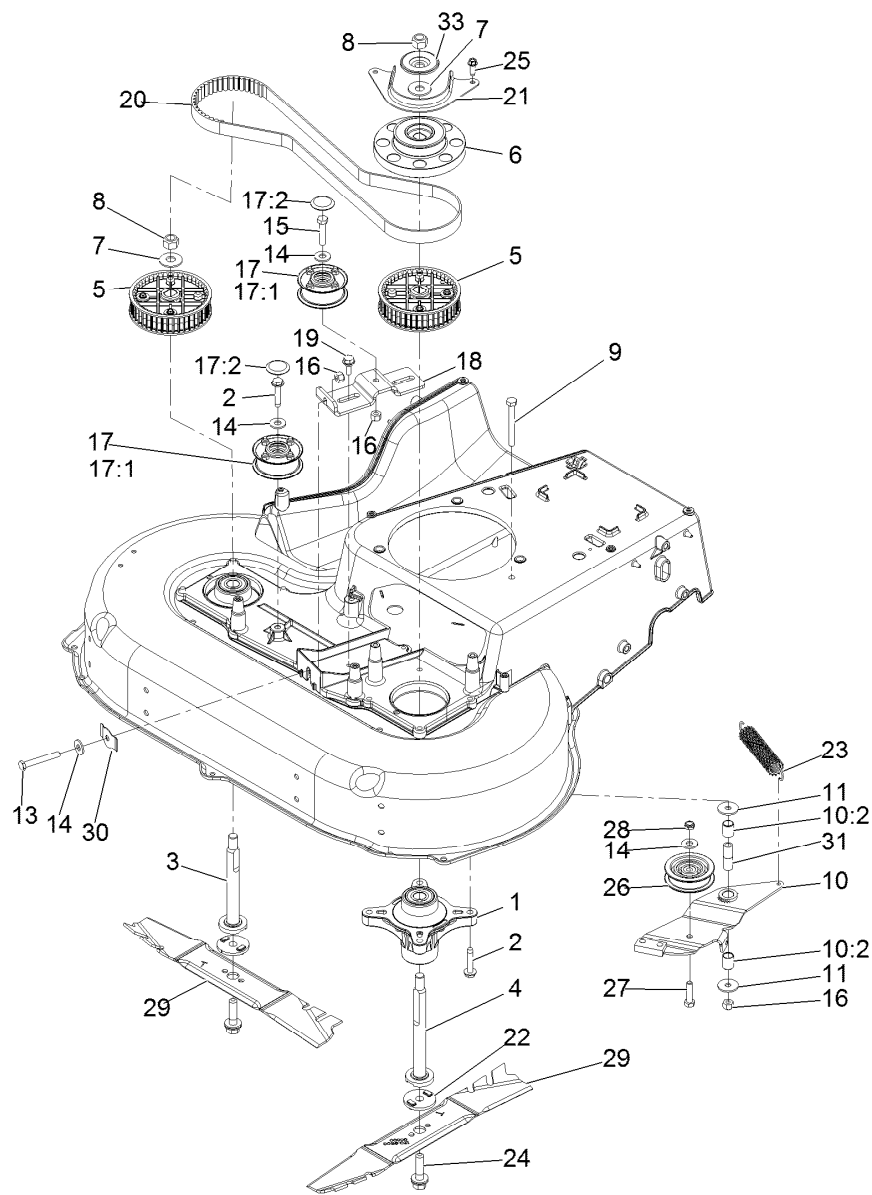
Ref.	Part Number	Qty.	Description	Ref.	Part Number	Qty.	Description
2	116-8354	1	Deck ASM	27	116-6229	1	Seal-Door
3	127-6859-01	1	Frame	28	32151-72	1	Ring-Retaining
4	120-3336	1	Chute	29	116-7573	1	Spring-Torsion, Cover
5	127-6841	2	Screw-CARR	30	116-8355	1	Rear Door ASM
6	103-2883	1	Decal, Exmark Logo	30:2	116-7583	1	Decal-Warning
8	3296-29	2	Nut-Nyloc 5/16-18	35	116-6966	1	Clip-Seal
10	121-5810	1	Cover-Belt	36	121-5793-03	1	Door-Access
14	46-8091	4	Screw-HWH 1/4-10 X .82	37	121-5840	2	Fastener
15	107-7497	1	Bracket-Cable, Traction	38	130-2352-01	1	Baffle-Control
16	120-5225	1	Plug-Mulch	39	104-8300	4	Nut-Nyloc 5/16-18 Flg
17	121-5841	1	Shield-Trailing	40	3274-55	4	Screw-Button Head 5/16-18 X 3/4
18	49-2040	9	Screw-HWH 1/4-20 X 3/4 Tf	99	125-5072	1	Frame Plate Kit ●
21	1-513658	2	Bumper	99:1	125-2542	1	Plate Frame ASM ●
23	65-5100	1	Handle-Door	99:2	3229-3	3	Bolt-Carriage 1/4-20 X 1 1/4 ●
24	117-1092	2	Screw-PTH	99:3	3296-42	3	Nut-Nyloc 1/4-20 ●
25	116-6351-03	1	Bracket-Hinge				
26	116-6933	1	Pin-Hinge				

● Not illustrated



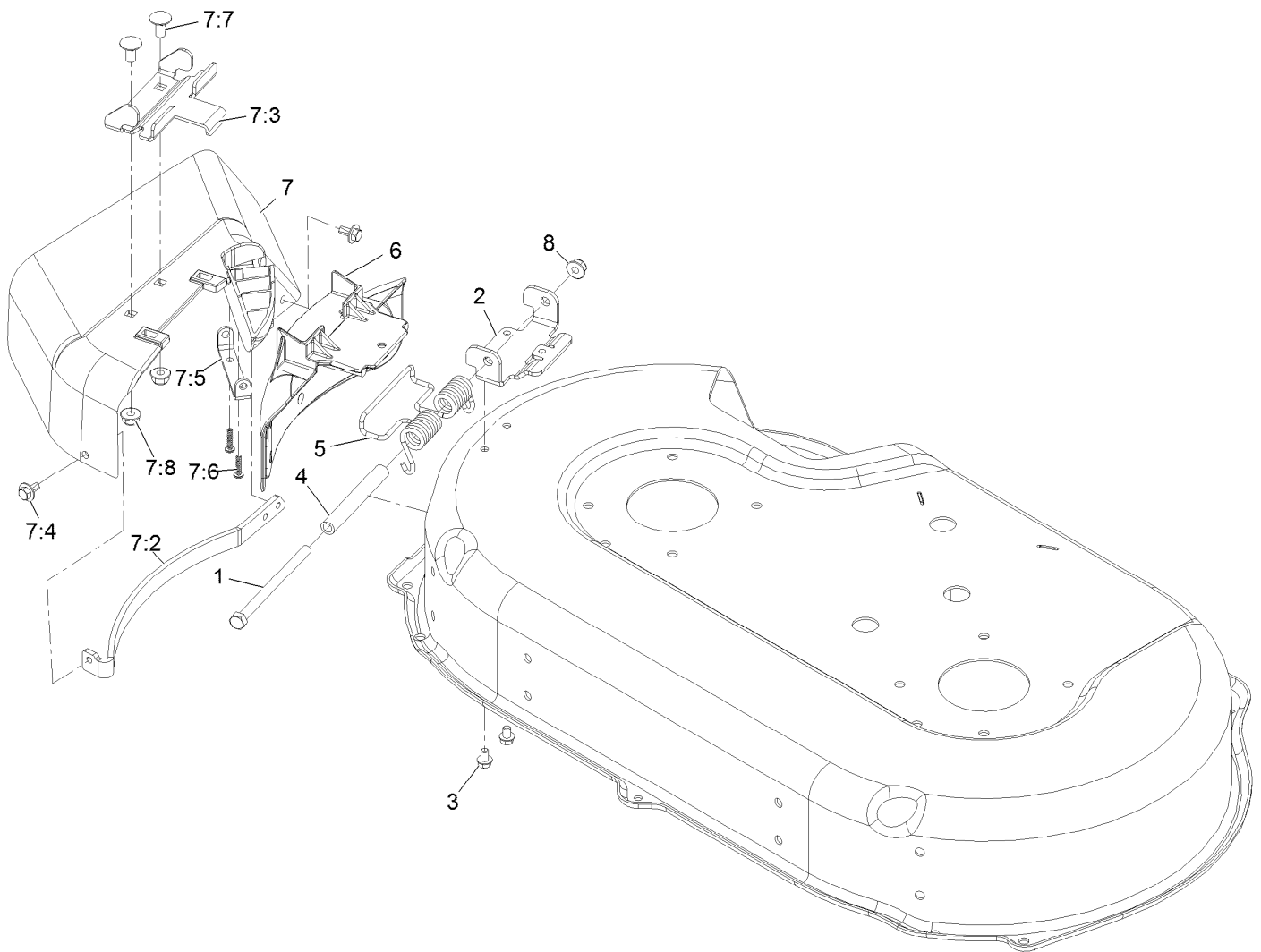
Deck W/Decals

<i>Ref.</i>	<i>Part Number</i>	<i>Qty.</i>	<i>Description</i>
2	93-7009	1	Decal-Danger
3	94-8072	1	Decal-Danger
4	116-7581	1	Decal-Warning
5	116-8527	1	Decal-Commercial 30
6	116-8528	1	Decal
7	120-9570	2	Decal-Warning
8	121-1449	1	Decal-Warning, Block



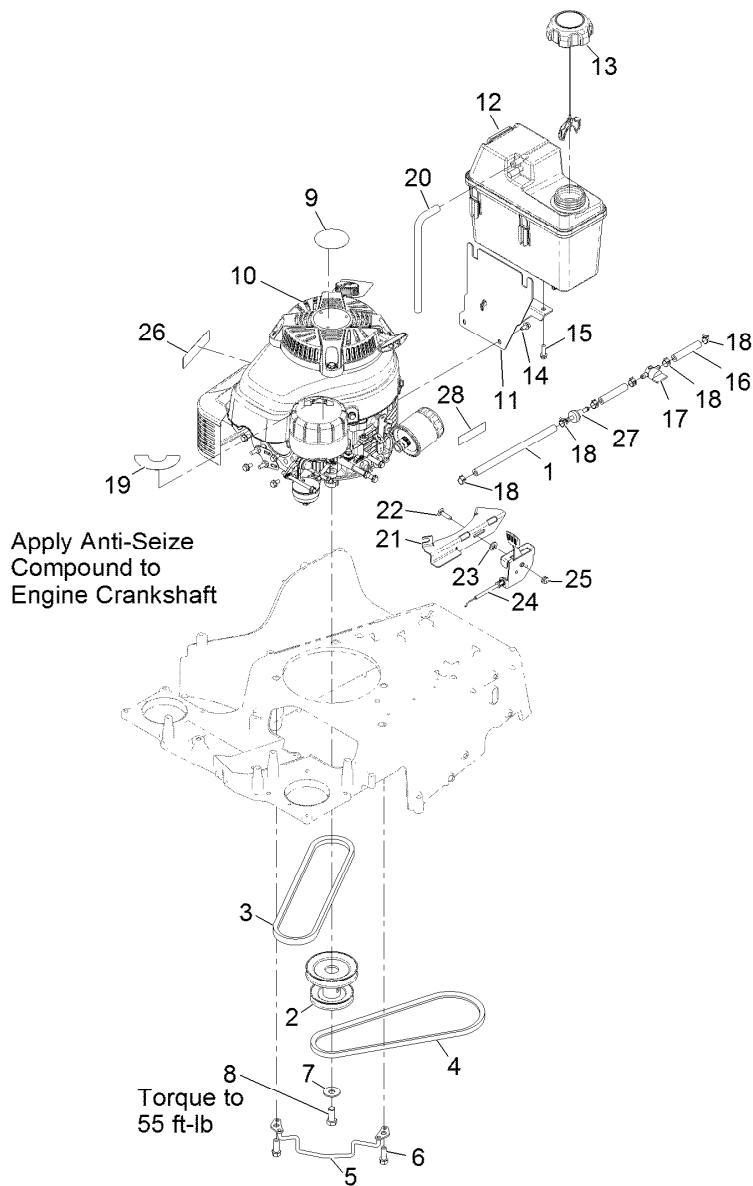
Spindle and Blade Assembly

Ref.	Part Number	Qty.	Description	Ref.	Part Number	Qty.	Description
1	121-9107	2	Spindle	17:1	125-2532	1	Pulley ASM
2	32144-57	9	Screw	17:2	125-2533	2	Plug-Cap
3	120-5234	1	Shaft-Spindle	18	120-3348	1	Bracket-Idler
4	120-5235	1	Shaft-Spindle	19	120-7024	2	Screw-Shoulder, HHF
5	121-9100	2	Sprocket	20	120-3335	1	Belt-Synchronous
6	120-3334	1	Pulley-Brake, Spindle	21	120-5245-03	1	Guide-Belt, Spindle
7	109-9505	2	Washer, Spring Disc 1/2	22	120-5236	2	Adapter-Blade
8	130-2384	2	Nut-Hex	23	121-5808	1	Spring-Extension, Brake
9	322-13	1	Screw-HH 5/16-18 X 2 3/4	24	125-2466	2	Bolt-Blade
10	131-0898	1	ASM-Brake Arm	25	49-2040	2	Screw-HWH 1/4-20 X 3/4 Tf
10:2	131-0819	2	Bushing-Sleeve	26	120-7082	1	Pulley-Idler
11	5-4460	2	Washer-Pivot	27	322-6	1	Screw-HH 5/16-18 X 1 1/4
13	9114524	1	Bolt-TAP, HH	28	3296-47	1	Nut-Nyloc 5/16-18 Thin
14	3256-3	4	Washer-5/16 Std	29	116-6358-03	2	Blade-Rotary
15	322-7	1	Screw-HH 5/16-18 X 1 1/2	30	121-2336	1	Spring-Flat
16	3296-29	3	Nut-Nyloc 5/16-18	31	131-0823	1	Spacer-Brake
17	126-0316	2	Pulley Kit	33	130-2364	1	Washer-Cup



Side Discharge Chute Assembly

Ref.	Part Number	Qty.	Description
1	322-38	1	Screw-HH 5/16-18 X 4 1/2
2	121-9195	1	Hinge
3	99-8445	2	Screw-HWH 1/4-20 X 3/8 Taptite
4	125-2478	1	Spacer
5	121-9193	1	Spring-Torsion
6	125-5093-01	1	Cover-Discharge
7	116-9754	1	Side Discharge Chute ASM
7:2	116-9752-03	1	Guard-Chute
7:3	121-9196	1	Bracket-Chute
7:4	46-8560	2	Screw-HHF 1/4-20 X 1/2
7:5	112-6416	1	Bracket-Cover
7:6	94-4496	2	Screw-PPH
7:7	3230-18	2	Bolt-Carriage 5/16-18 X 5/8
7:8	104-8300	2	Nut-Nyloc 5/16-18 Flg
8	104-8300	1	Nut-Nyloc 5/16-18 Flg

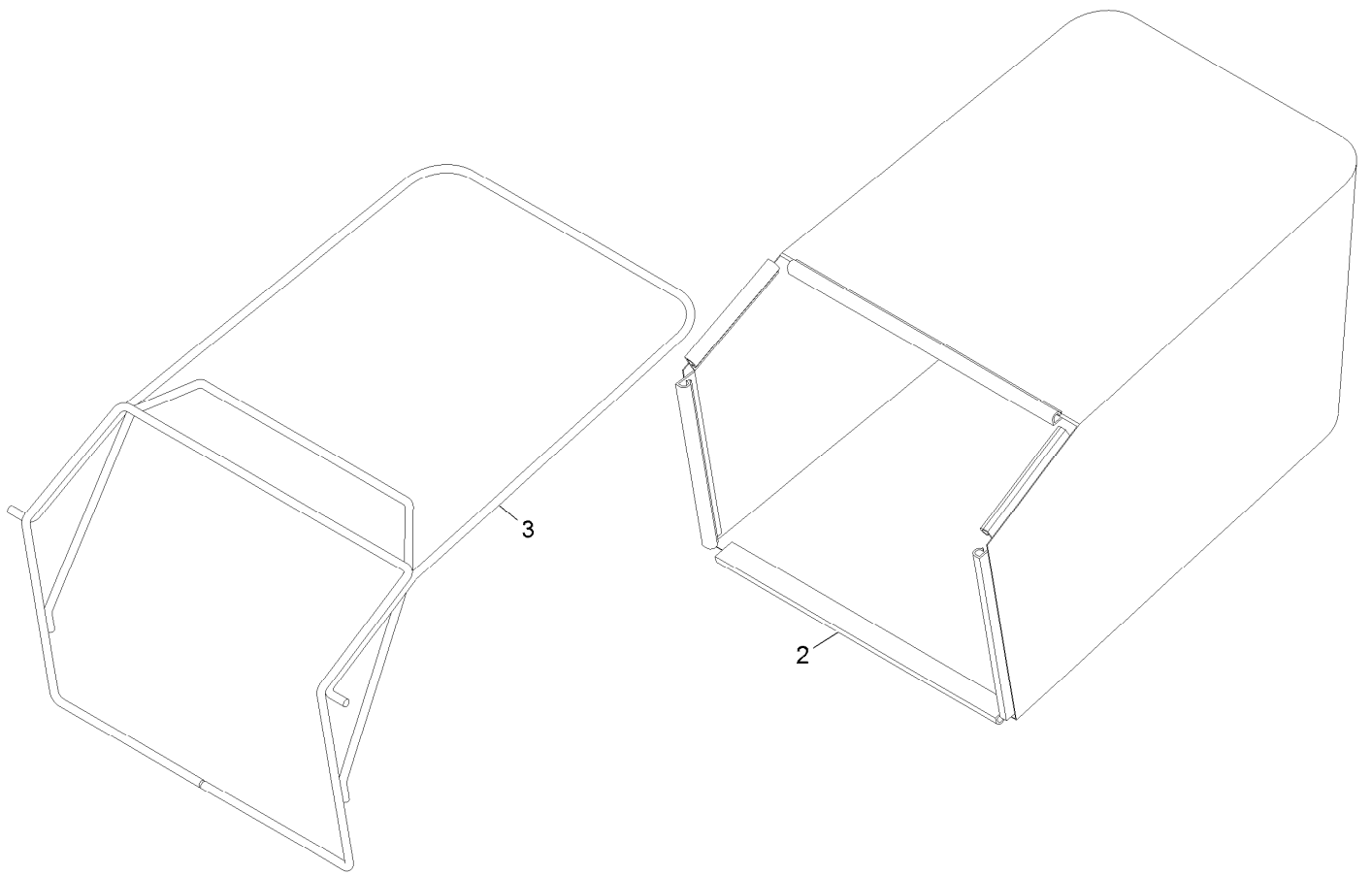


Engine and Fuel Tank Assembly

Ref.	Part Number	Qty.	Description	Ref.	Part Number	Qty.	Description
1	119-1892	1	Hose-Fuel	15	46-8091	2	Screw-HWH 1/4-10 X .82 Plastite
2	116-7013	1	Pulley-Engine	16	109-0304	2	Hose-Fuel Line 2 1/2"
3	121-5765	1	V-Belt	17	1-603770	1	Valve-Fuel
4	116-7116	1	Belt	18	2412-98	6	Clamp-Hose
5	120-7077	1	Guide-Belt	19	130-6402	1	Decal-Air Cleaner, Kai
6	95-1727	3	Screw-HWH 3/8-16 X 1 1/4 Taptite	20	115-0962	1	Hose-Vent, Canister
7	3290-465	1	Washer-Spring Disc	21	116-2220-03	1	Bracket-Mount, Throttle
8	3212-4	1	Screw-HH 7/16-20 X 1	22	3229-30	1	Bolt-Carriage 1/4-20 X 1
9	109-6528	1	Decal-Recoil	23	3256-23	1	Washer-5/16 Sae
10		1	Engine-Kawasaki Fj180V ●■	24	116-2248	1	Throttle
11	115-0954-03	1	Tank Mount ASM	25	104-7201	1	Nut-Nyloc 1/4-20 Flg
12	125-5066	1	Tank ASM	26	117-2718	1	Decal-Arrester, Spark
13	109-6776	1	Cap-Ratchet, Tethered	27	71-9280	1	Filter-Fuel
14	116-8929	3	Screw-HWH	28	116-9313	1	Decal-Warning, Engine

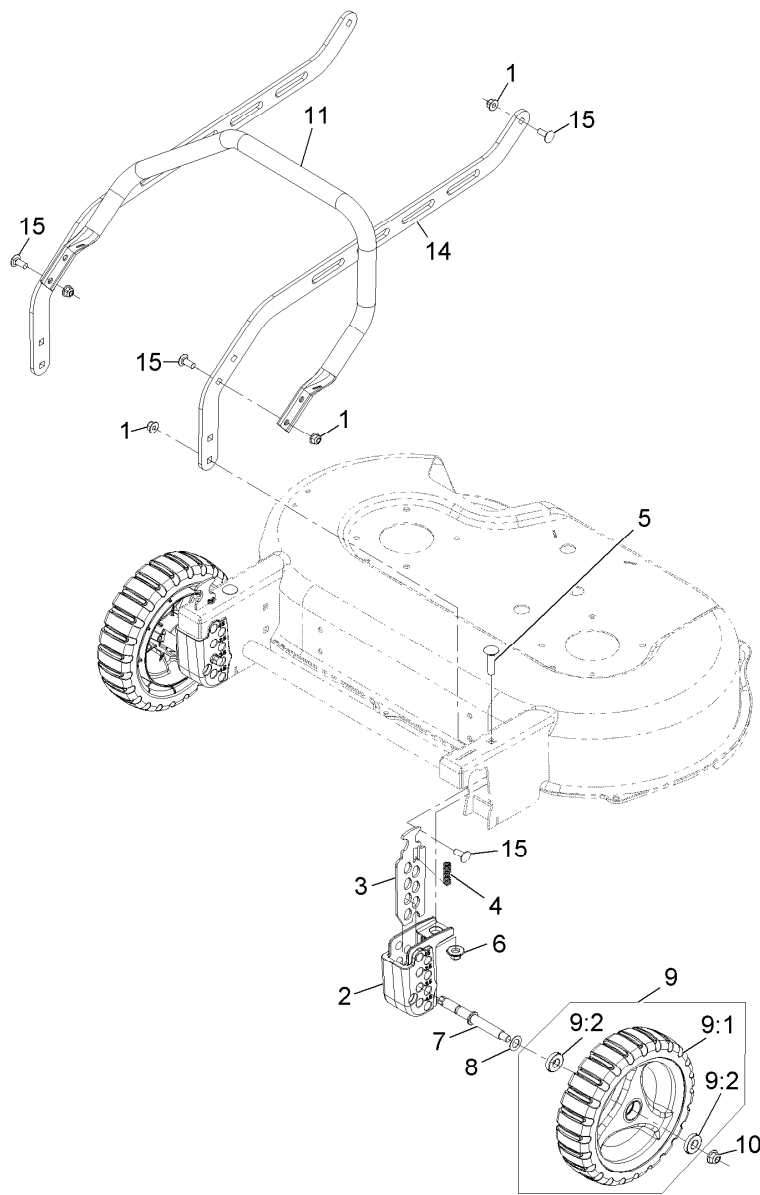
● Not serviced separately

■ Obtain parts from www.kawpowerpc.com



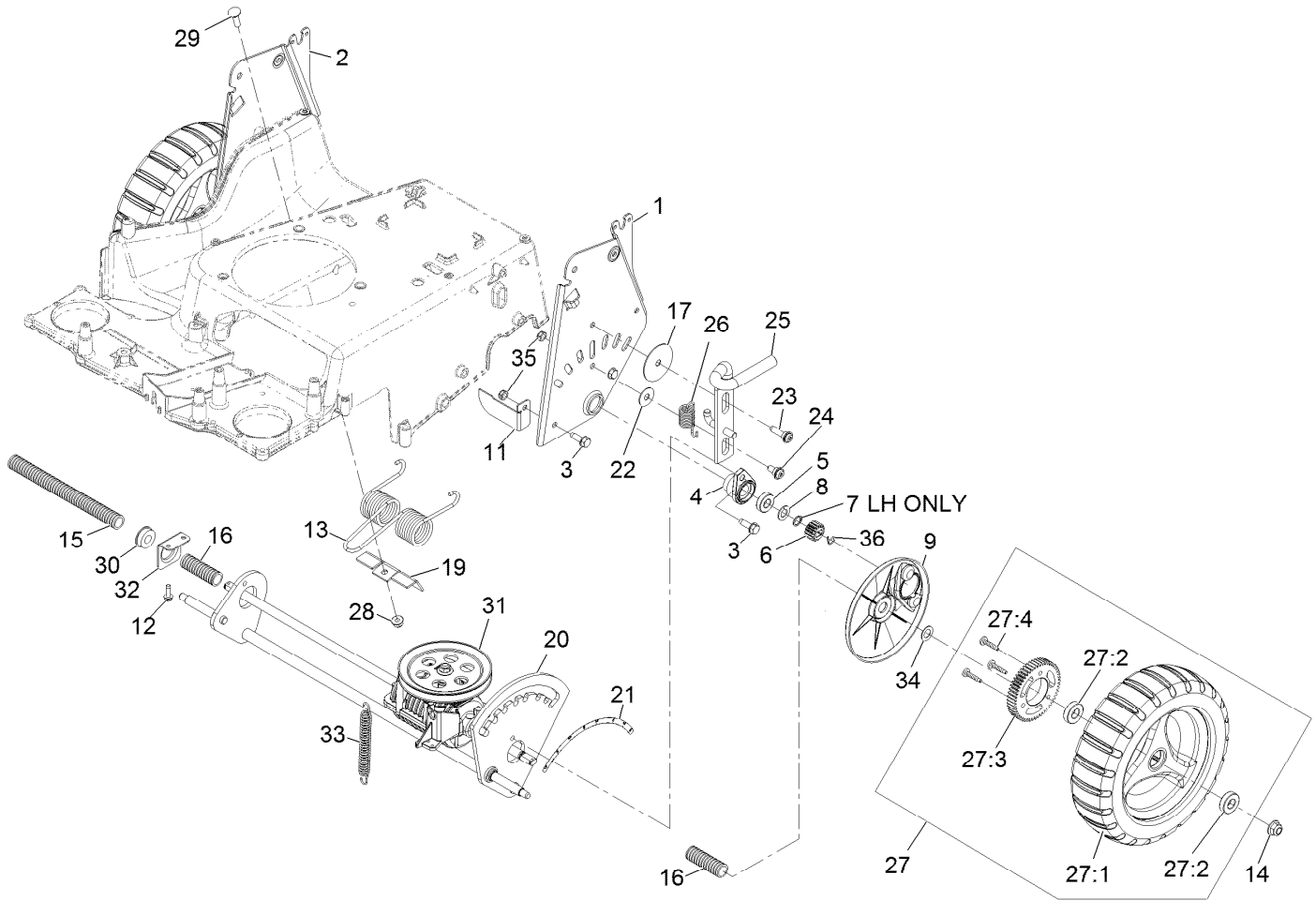
Bag Assembly

<i>Ref.</i>	<i>Part Number</i>	<i>Qty.</i>	<i>Description</i>
2	116-6350	1	Bag-Grass
3	116-5596-03	1	Frame-Bag



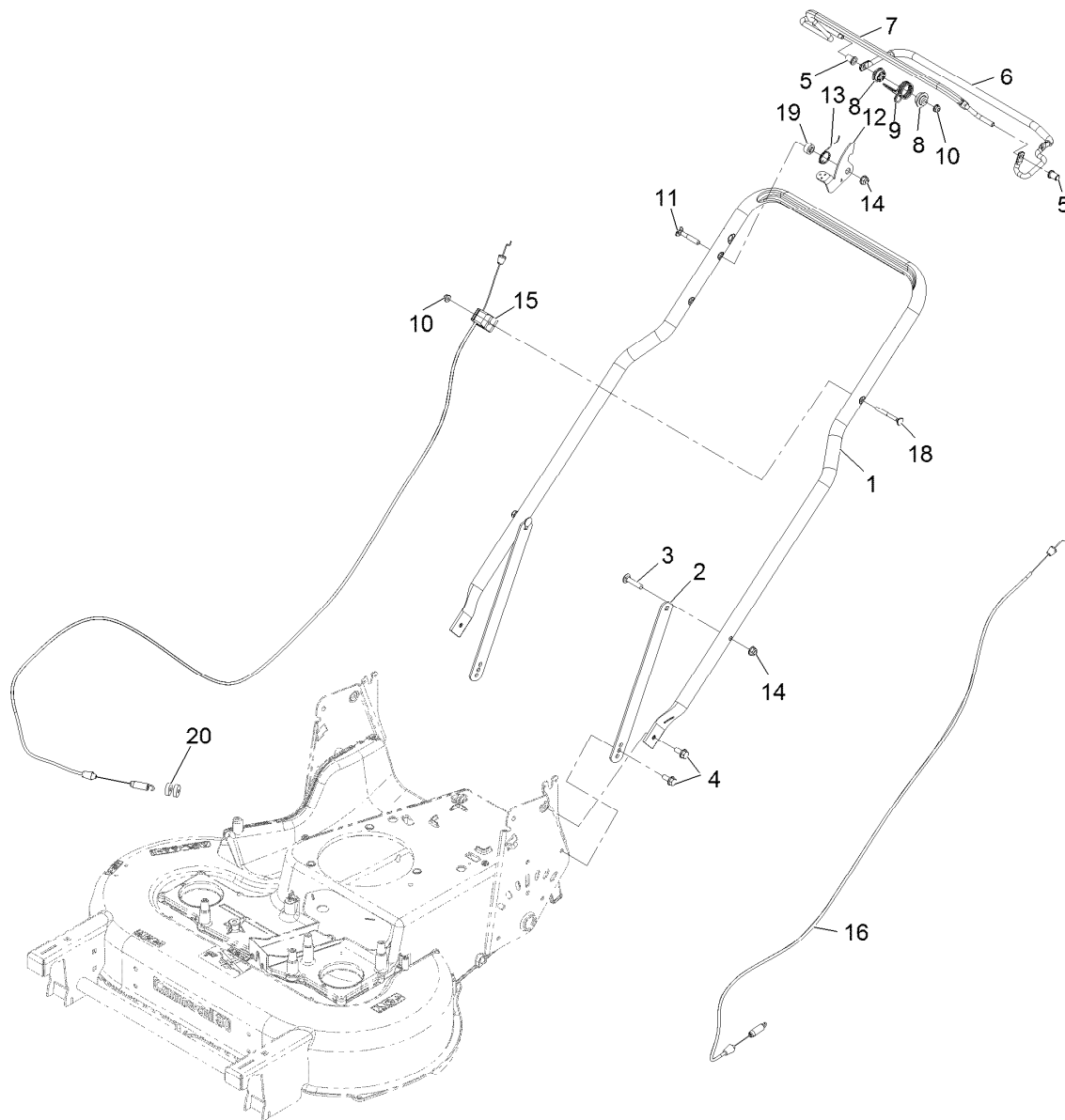
Front Bumper and Wheel Assembly

Ref.	Part Number	Qty.	Description
1	104-8300	10	Nut-Nyloc 5/16-18 Flg
2	116-6357	2	Block-Front Quadrant
3	109-9292	2	Plate, Front Height
4	109-7258	2	Spring-Compression
5	3231-26	2	Bolt-Carriage 3/8-16 X 1 1/2
6	109-6658	2	Nut-Nyloc 3/8-16 Flg
7	116-0994	2	Axle-Wheel
8	36-4780	2	Washer
9	109-8016	2	Wheel And Tire ASM
9:1	109-8033	1	9-Inch Wheel ASM
9:2	109-8020	2	Bearing-Ball
10	104-8301	2	Nut-Nyloc 3/8-16 Flg
11	116-7675-03	1	Guard-Engine
14	116-7661-03	2	Brace-RH
15	3230-23	10	Bolt-Carriage 5/16-18 X 3/4 Short Neck



Deck and Wheel Assembly

Ref.	Part Number	Qty.	Description	Ref.	Part Number	Qty.	Description
1	121-2394-03	1	LH HOC Plate ASM	22	52-2860	1	Washer
2	121-2395-03	1	RH HOC Plate ASM	23	119-2267	1	Screw-Shoulder, BHTF
3	701243	7	Screw-HWHTF	24	120-9471	1	Bolt-Shoulder
4	120-5210	2	Retainer-Bearing	25	120-7090	1	Lock-Height, Adjust
5	109-8020	2	Bearing-Ball	26	120-9452	1	Spring-Extension
6	110-9417	2	Gear-Pinion, 15T	27	116-5291	2	10-Inch Rear Wheel
7	32151-61	1	Ring-Retaining	27:1	116-5292	1	ASM-Wheel 10"
8	110-7191	2	Washer-Thrust	27:2	109-8020	2	Bearing-Ball
9	116-6352	2	Cover-Gear	27:3	109-7264	1	Gear
11	121-5821	1	Bracket-Stop	27:4	27-6260	3	Screw-Drive
12	49-2040	2	Screw-HWH 1/4-20 X 3/4 Tf	28	104-8300	1	Nut-Nyloc 5/16-18 Flg
13	121-2368	1	Spring-Torsion	29	3230-2	1	Bolt-Carriage 5/16-18 X 1
14	104-8301	2	Nut-Nyloc 3/8-16 Flg	30	104-8699	1	Bearing-Ball
15	121-5799	1	Conduit-Convolutd	31	130-6671	1	Transmission Kit
16	121-5800	2	Conduit-Convolutd	32	120-7008	1	Mount-Bearing
17	125-2540	1	Washer-Plain	33	120-7027	1	Spring-Extension
19	121-2397	1	Bracket	34	36-4780	2	Washer
20	120-7095	1	Axle-Rear	35	3296-47	2	Nut-Nyloc 5/16-18 Thin
21	116-7127	1	Decal-HOC, Rear	36	130-2369	2	Pin-Snap



Handle Assembly

Ref.	Part Number	Qty.	Description	Ref.	Part Number	Qty.	Description
1	120-7086-03	1	Handle	11	112-8876	1	Bolt-Carriage 5/16-18 X 2
2	116-8208-03	2	Support-Handle	12	116-2998	1	Lever-BBC
3	3230-4	2	Bolt-Carriage 5/16-18 X 1 1/2	13	109-9318	1	Spring-Lever, BBC
4	116-7230	4	Screw-HHF	14	104-8300	3	Nut-Nyloc 5/16-18 Flg
5	116-1478	2	Bushing-Handlebar	15	126-0491	1	Kit-Cable, BBC
6	116-7907	1	Bail-Drive Coated	16	126-1664	1	Cable-Traction
7	109-8442	1	Bail	18	92-2270	1	Screw-Handle
8	109-8457	2	Bushing-Spring, Pivot	19	116-2690	1	Bushing-Stepped
9	116-5594	1	Spring-Return, BBC	20	1-323417	2	Washer
10	104-7201	2	Nut-Nyloc 1/4-20 Flg	99	614249	3	Tie-Cable ●

● Not illustrated

Notes:

Notes:

Notes:

EXMARK ACCESSORIES AND OPTIONS*

MID-MOUNT RIDING ACCESSORIES AND OPTIONS

CUSTOM RIDE SEAT SUSPENSION SYSTEM	OPERATOR CONTROLLED DISCHARGE
FULL SUSPENSION SEAT	SUN SHADE
DECK LIFT ASSIST KIT	TRASH CONTAINER
HITCH KIT	TURF STRIPER
LIGHT KIT	ULTRA VAC COLLECTION SYSTEM
12V POWER PORT	ULTRA VAC QUICK DISPOSAL SYSTEM
MICRO-MULCH SYSTEM	

OUT-FRONT RIDING ACCESSORIES AND OPTIONS

CUSTOM RIDE SEAT SUSPENSION SYSTEM	SNOW BLADE
DUAL-TAIL WHEEL	SNOWBLOWER
FLOOR PAN EXTENDER	SUN SHADE
HITCH KIT	TRASH CONTAINER
LIGHT KIT	ULTRA VAC COLLECTION SYSTEM
MICRO-MULCH SYSTEM	ULTRA VAC QUICK DISPOSAL SYSTEM
ROLL OVER PROTECTION SYSTEM (ROPS)	WEATHER CAB

WALK-BEHIND ACCESSORIES AND OPTIONS

GRASS CATCHER	TURF STRIPER
MICRO-MULCH SYSTEM	STANDON

*Some accessories and options not available for some models.

Place Model No. and Serial No.
Label Here (Included in the Literature
Pack) or Fill in Below

Model No. _____

Serial No. _____

Date Purchased _____

Engine Model No. and Spec. No. _____

Engine Serial No. (E/No) _____

© 2014 Exmark Mfg. Co., Inc.
Industrial Park Box 808
Beatrice, NE 68310
All Rights Reserved

Part No. 4501-845 Rev. B
(402) 223-6300
Fax (402) 223-5489
Printed in the USA.

