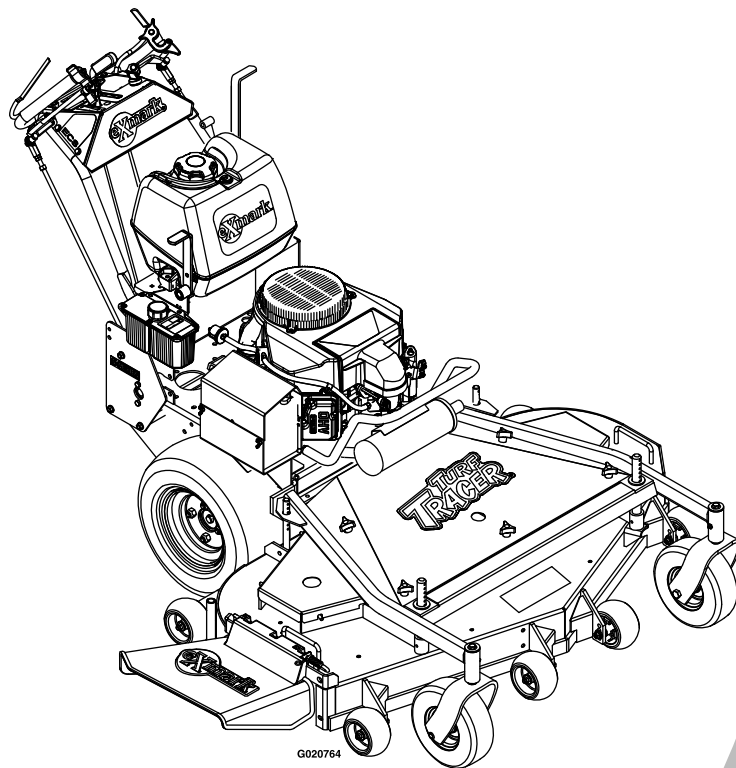


# **TURF TRACER® S-SERIES**

**Model No. TTS600KAE483—Serial No. 31400000 and Up**

Picture below may not reflect actual product.



G020764

# **Parts Manual**

Part No. 4501-825 Rev. A

# Ordering Replacement Parts

To order replacement parts, please supply the part number, the quantity, and the description of each part desired.

## Understanding Reference Numbers

Each identified part in an illustration has a reference number. The reference number for a part also appears in the parts list, along with other information about the part.

This catalog uses two special reference number formats, one to indicate parts in a service assembly and another to indicate the quantity of a given part in an illustration.

## Service Assembly Reference Numbers

Parts in service assemblies have reference numbers in the form a:b. The a represents the reference number of the entire service assembly and the b represents a sequential number unique to each part within the service assembly.

For example, a wheel assembly might be identified by reference number 6, the tire by 6:1, the valve by 6:2, and the wheel by 6:3. When you order the assembly identified by reference number 6, you receive all parts identified by reference numbers 6:1, 6:2, and 6:3. However, you may also order any part individually. Reference numbers of this type appear in illustration and in parts lists.

## Reference Numbers Indicating Quantity

In an illustration, if a reference number indicates more than one part, the reference number has the form nX y. The n represents the quantity of the part, the X is the multiplication symbol, and the y represents the reference number.

For example, in an illustration, the reference number 2X 37 means that two of the parts identified by reference number 37 are indicated.

# List of Abbreviations

<b>AR:</b> as required	<b>HJ:</b> hex jam	<b>PRH:</b> phillips round head
<b>ASM:</b> assembly	<b>HLH:</b> hex lag head	<b>PTH:</b> phillips truss head
<b>BBC:</b> blade brake control	<b>HOC:</b> height-of-cut	<b>PTO:</b> power-take-off
<b>BHTF:</b> button head thread forming	<b>HSBH:</b> hex socket button head	<b>RH:</b> right hand
<b>CARR:</b> carriage	<b>HSFH:</b> hex socket flat head	<b>ROPS:</b> roll-over protection system
<b>CCW:</b> counter clockwise	<b>HSH:</b> hex socket head	<b>RRB:</b> rear roller brush
<b>CW:</b> clockwise	<b>HWH:</b> hex washer head	<b>SFH:</b> slotted fillister head
<b>DEG:</b> degrees	<b>HWHTF:</b> hex washer head thread forming	<b>SHH:</b> slotted hex head
<b>DPA:</b> Dual Point Adjustment	<b>HYD:</b> hydraulic	<b>SHWH:</b> slotted hex washer head
<b>ECM:</b> electronic control module	<b>LH:</b> left hand	<b>SPH:</b> slotted pan head
<b>EXT:</b> external	<b>LP:</b> Liquefied Petroleum Gas	<b>SQH:</b> square head
<b>FH:</b> flat head	<b>LPG:</b> Liquefied Petroleum Gas	<b>SRH:</b> slotted round head
<b>GA:</b> gauge	<b>NI:</b> nylon insert	<b>STD:</b> standard
<b>HD:</b> heavy-duty	<b>NPTF:</b> national pipe thread fine	<b>TAP:</b> self tapping
<b>HF:</b> hex flange	<b>PFH:</b> phillips flat head	<b>TTH:</b> torx truss head
<b>HH:</b> hex head	<b>PPH:</b> phillips pan head	
<b>HHF:</b> hex head flange	<b>PPHTF:</b> phillips pan head thread forming	
<b>HHFTF:</b> hex head flange thread forming		

# Touch Up Paint

Exmark black touch up spray paint – gloss black.

Exmark red touch up paint (spray paint – P/N 1-850337 - .6 oz liquid bottle – P/N 103-9140).

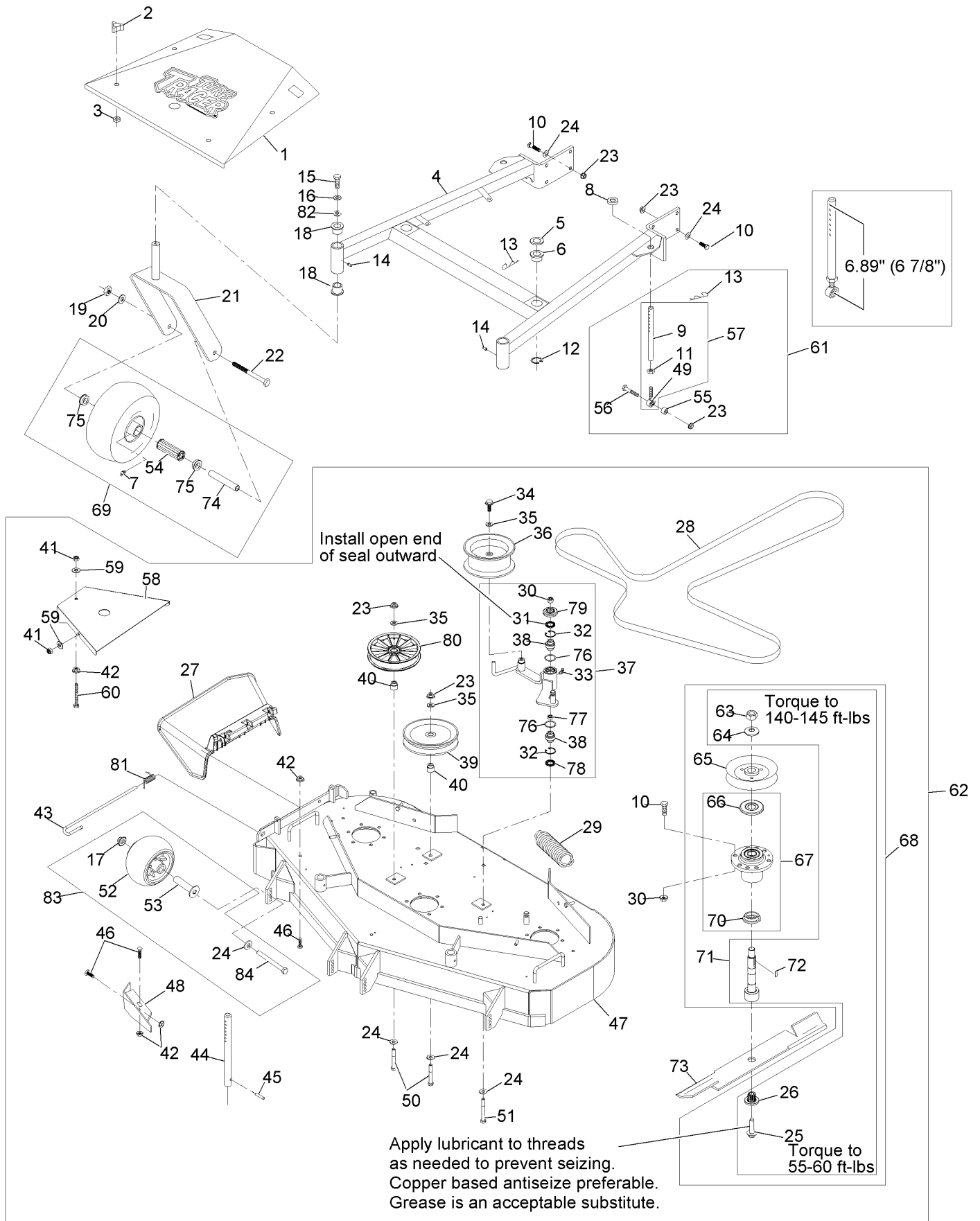


If your Exmark dealer does not have the Exmark part in stock, Exmark will get the parts to the dealer the next business day or the part will be FREE Guaranteed!! (Some restrictions apply. See your participating Exmark Dealer for details.)

## Contents

Mower Deck Assembly ..... 4  
Engine Deck Assembly ..... 6  
Engine Deck Assembly ..... 8  
ECS Upper Handles and Controls Assembly ..... 10  
Fuel Tank Assembly ..... 12  
Electrical Assembly ..... 13  
Decals ..... 14  
Hydraulic Assembly ..... 16

# Mower Deck Assembly



## Mower Deck Assembly (continued)

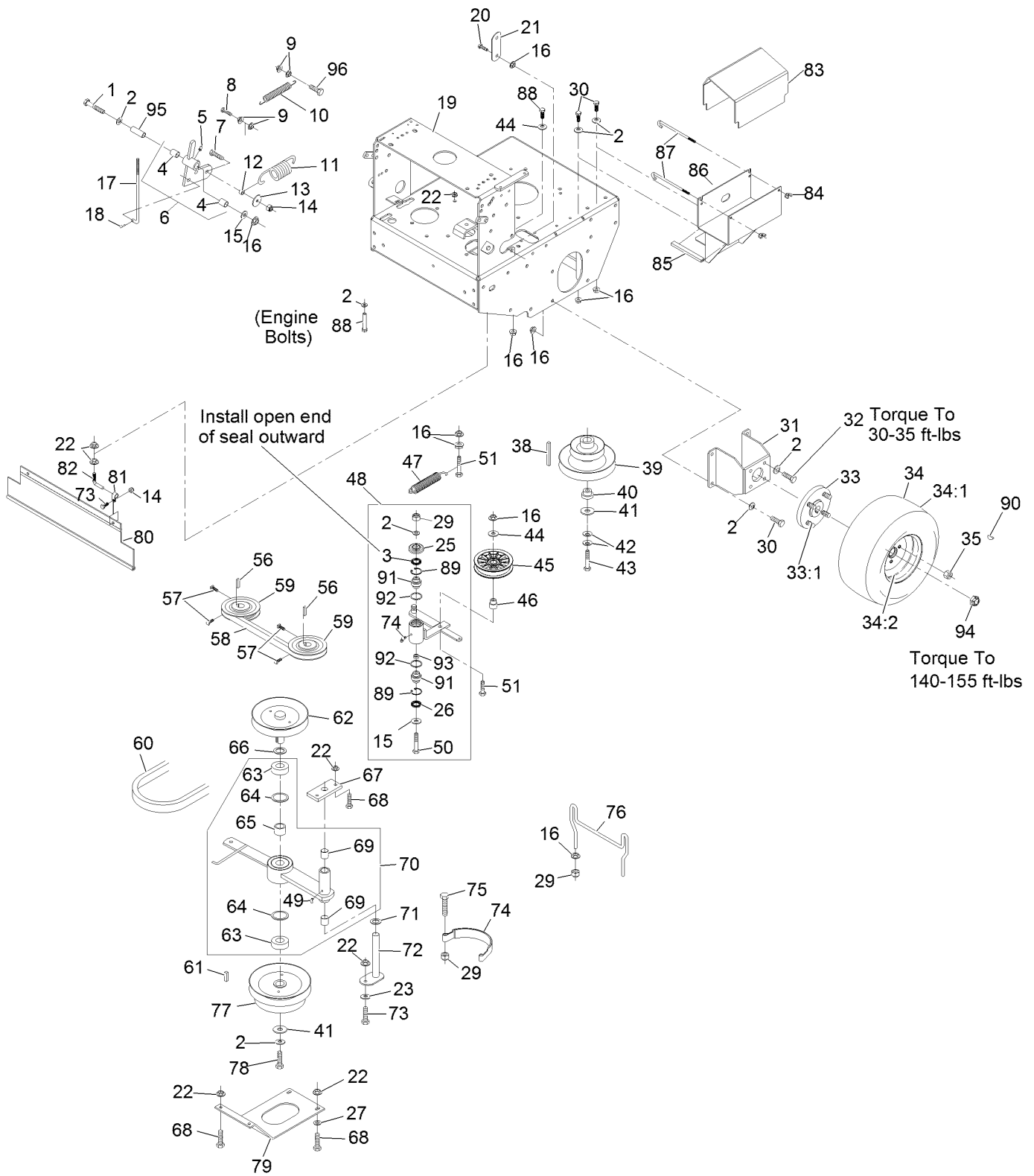
<i>Ref.</i>	<i>Part Number</i>	<i>Qty.</i>	<i>Description</i>	<i>Ref.</i>	<i>Part Number</i>	<i>Qty.</i>	<i>Description</i>
1	126-0076	1	Shield, Belt (126-0051-01) W/Decals	48	116-2297-01	1	Baffle, Discharge
2	1-323385	4	Knob-3 Prong	49	1-613204	2	Balljoint
3	1-323417	4	Washer-Belt Shield	50	323-13	2	Screw-HH 3/8-16 X 2 3/4
4	1-414310	1	Support Wld W/Bushings And Decals	51	98-5961	1	Screw-HH 3/8-16 X 4 Gr8
5	1-413425	2	Spacer	52	103-8415	4	Roller, Anti-Scalp
6	1-513336	2	Bushing-Deck	53	116-8131	4	Axle, Roller
7	302-61	2	Zerk-45° 1/4-28	54	1-513809	2	Bearing
8	1-323539	2	Spacer-Blade Drive	55	1-603050	2	Spacer
9	1-413525	2	Link, Rear Deck Support	56	323-9	2	Screw-HH 3/8-16 X 1 3/4
10	323-7	26	Screw-HH 3/8-16 X 1 1/4	57	1-414521	2	Link Assy
11	3220-3	2	Nut-Jam 3/8-24	58	103-2970-01	2	Shield, Belt
12	32120-33	2	Ring-Retaining	59	3256-3	6	Washer-5/16 Std
13	1-806009	4	Hairpin-Cotter #206	60	1-800017	2	Bolt-HH 5/16-18 X 3 1/4 Tap
14	302-52	2	Zerk-1/8-27 Str	61	1-411532	2	Kit, Support Link W/Pin
15	323-6	2	Screw-HH 3/8-16 X 1	62	103-0321	1	Assembly, Cutting Deck Complete
16	3253-5	2	Washer-Lock 3/8 Heavy	63	3217-46	3	Nut-Hex 3/4-16 Heavy
17	109-6658	4	Nut-Nyloc 3/8-16 Flg	64	103-2802	3	Washer-Spring Disc 3/4
18	1-303514	4	Bearing-Flanged	65	1-413424	3	Sheave, W/Hub 6 5/16" O.D. ▲
19	3217-9	2	Nut-Hex 1/2-13	66	103-1330	3	Guard-Bearing Top ▲
20	3253-7	2	Washer-Lock 1/2	67	103-8280	3	Asm, Cutter Housing W/Bearings
21	1-522143-01	2	Fork, Caster	68	103-9081	3	Asm, Cutter Housing Complete
22	325-20	2	Screw-HH 1/2-13 X 6	69	103-2171	2	Kit,Semi-Pneumatic Wheel Replacement
23	3290-357	9	Nut-Whizlock 3/8-16	70	103-2535	3	Spacer-Guard Bottom
24	98-5975	15	Washer-Spring Disc 3/8	71	103-9071	3	Kit, Spindle ▲
25	109-9220	3	Screw-Sems 1/2-20 X 2.19	72	1-807268	3	Key-Machine 1/4 X 3/16 X 1
26	103-3037	3	Bushing, Splined	73	103-6401	3	Blade-Notched ■
27	109-5151	1	Deflector-Discharge	73	103-6391	3	Blade, Mulching
28	1-413093	1	Belt, Deck Drive	73	103-6386	3	Blade, Low Lift
29	103-3330	1	Spring-Extension	73	103-6381	3	Blade, Solid
30	3296-39	19	Nut-Nyloc 3/8-16	73	116-5177	3	Blade-Extreme 2, 16.25"
31	103-3506	1	Seal-Single Lip	74	1-513547	2	Spacer
32	32120-10	2	Ring-Retaining	75	1-513810	4	Bushing-Flanged
33	302-40	1	Zerk-90° 1/4-28	76	106-7159	2	O-Ring
34	3234-11	1	Screw-HH Flg 3/8-16 X 1	77	103-5677	1	Spacer
35	3256-24	3	Washer-3/8 Sae	78	103-3505	1	Seal-Double Lip
36	116-4666	1	Idler-Pulley, Flat	79	103-2916	1	Guard-Top
37	103-8585	1	Kit, Idler Arm (103-7356-03) W/Brgs ●	80	109-0977	1	Pulley,Idler 5"
38	103-3504	2	Bearing-Spherical	81	116-0962	1	Spring, Torsion
39	1-613098	1	Pulley-Idler	82	1-373034	2	Washer
40	1-413113	2	Bushing-Idler	83	116-9981	1	Kit, Anti-Scalp Roller
41	3296-29	6	Nut-Nyloc 5/16-18	84	116-9362	4	Screw-HH 3/8-16 X 3 3/4 Gr 8
42	32128-20	3	Nut-Whizlock 5/16-18				
43	109-8854	1	Pin-Chute				
44	1-603001	2	Rod, Deck Support				
45	1-806332	2	Rollpin 1/4 X 1 1/2				
46	322-2	3	Screw-HH 5/16-18 X 5/8				
47	1-414384	1	Deck Weldmt W/Decals, Discharge Baffle And Support Rods				

● Assembly also includes Washer and Screw

■ Requires installation of mulch kit for proper mulching. See your Exmark dealer for details.

▲ Apply Mobil HTS grease (P/N 103-5217 1.5 oz packet) (or a food-grade anti-seize). See operator s manual for locations.

# Engine Deck Assembly



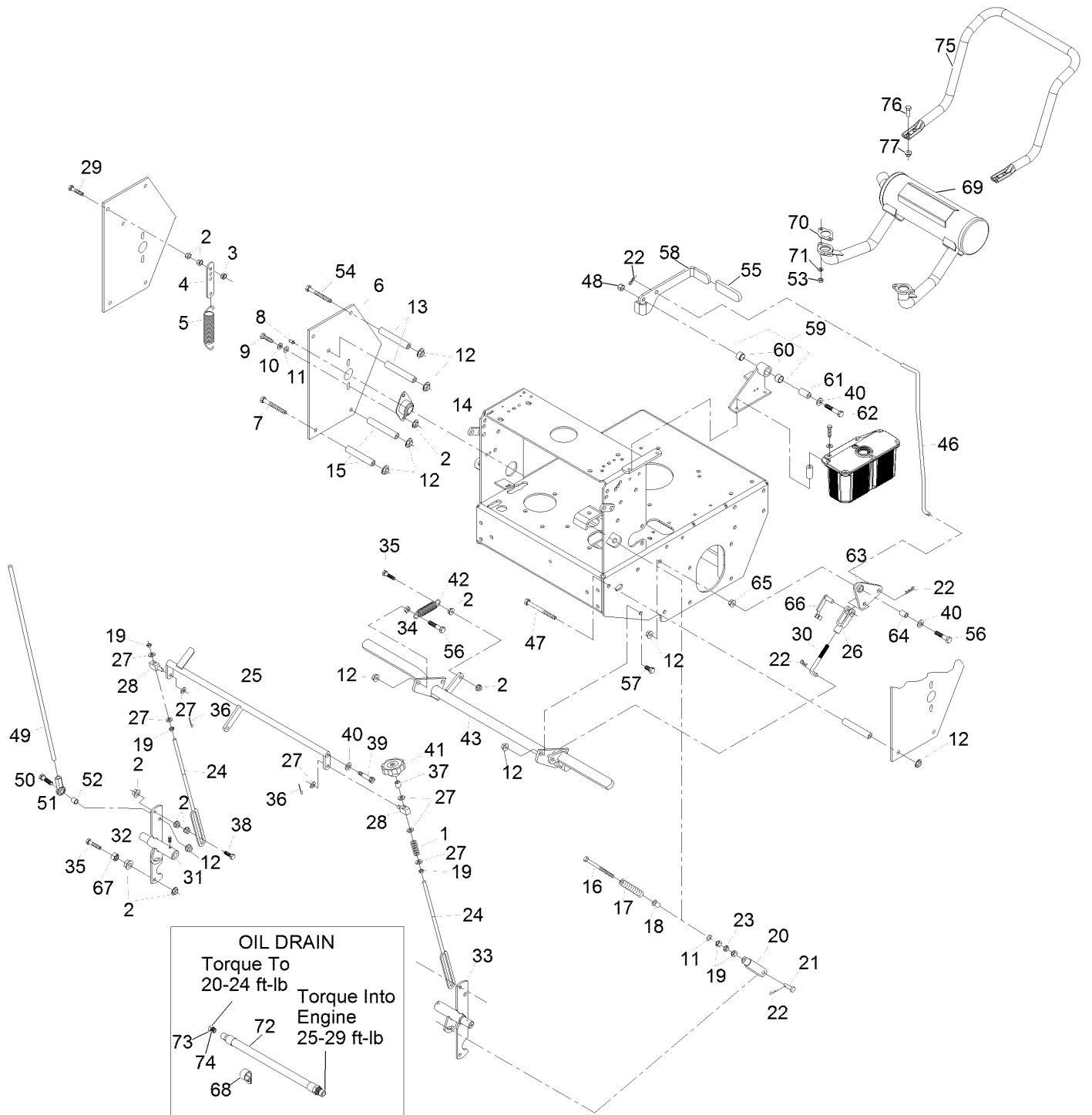
## Engine Deck Assembly (continued)

<i>Ref.</i>	<i>Part Number</i>	<i>Qty.</i>	<i>Description</i>	<i>Ref.</i>	<i>Part Number</i>	<i>Qty.</i>	<i>Description</i>
1	323-11	1	Screw-HH 3/8-16 X 2 1/4	48	109-1296	1	Kit, Idler Arm (109-1208-03) W/Brgs
2	98-5975	26	Washer-Spring Disc 3/8	49	1481	2	Zerk-45° 1/4-28
3	103-3506	1	Seal-Single Lip	50	98-5961	1	Screw-HH 3/8-16 X 4 Gr8
4	1-513034	2	Sleeve-Bearing	51	323-9	2	Screw-HH 3/8-16 X 1 3/4
5	302-19	1	Zerk-1/4-28 Str	56	1-807272	2	Key-5Mm X 5Mm X 25Mm
6	1-414143	1	Link Pivot W/Bearing	57	120-6474	4	Screw-Set, SQH 5/16-18 X 3/4 ■
7	322-6	1	Screw-HH 5/16-18 X 1 1/4	58	109-1057	1	Belt, Pump Drive
8	321-6	1	Screw-HH 1/4-20 X 1	59	1-413010	2	Sheave ASM ●
9	32128-33	4	Nut-Whizlock 1/4-20	60	103-6317	1	Belt, Blade Clutch
10	1-523498	1	Spring, Motion Control	61	1-807259	1	Key-Machine 1/4 X 1/4 X 1
11	103-7398	1	Spring, Belt Tension	62	103-6308	1	Sheave W/Shaft ●
12	1-543007	1	Spacer	63	1-413111	2	Bearing, Clutch Shaft ●
13	1-213069	1	Washer	64	32120-8	2	Ring-Retaining
14	3296-29	3	Nut-Nyloc 5/16-18	65	1-413012	1	Spacer, Bearing Clutch
15	3256-4	2	Washer-3/8 Std	66	1-523157	1	Washer
16	3290-357	19	Nut-Whizlock 3/8-16	67	1-413049-01	1	Plate, Clutch Pivot
17	1-413282	1	Linkage, Lower	68	322-5	6	Screw-HH 5/16-18 X 1
18	1-806003	1	Hairpin-Cotter	69	1-413207	2	Pivot, Bearing
19	116-6129	1	Asm, Deck (116-6080-01) W/Decals	70	1-414418	1	Clutch Arm W/Bearings
20	323-4	2	Screw-HH 3/8-16 X 3/4	71	1-413235	1	Washer, Spacer
21	1-633068	1	Arm-Lift, Deck	72	1-412138-03	1	Pivot Pin Weldment
22	32128-20	11	Nut-Whizlock 5/16-18	73	322-3	3	Screw-HH 5/16-18 X 3/4
23	1-303334	1	Washer-Spring Disc 5/16	74	1-413062	1	Band, Brake Clutch
25	103-2916	1	Guard-Top	75	323-8	2	Screw-HH 3/8-16 X 1 1/2
26	103-3505	1	Seal-Double Lip	76	103-6310	1	Wld, Belt Guide
27	3256-3	2	Washer-5/16 Std	77	1-412028	1	Sheave W/Drum (48") ●
29	3296-39	5	Nut-Nyloc 3/8-16	78	1-800521	1	Screw-HH 3/8-24 X 1 ■
30	323-6	10	Screw-HH 3/8-16 X 1	79	1-413009-01	1	Plate, Guard
31	1-412082-01	2	Mount, Wheel Motor 48" And 52"	80	103-2056	1	Shield-Drag
32	323-6	8	Screw-HH 3/8-16 X 1	81	1-413510	2	Clip-Loom
33	112-9049	2	Wheel Hub ASM	82	1-413511	2	Hanger, Drag Shield
33:1	1-633926	8	Stud-Wheel	83	103-3442	1	Battery, Cover (1-543891) W/Decal
34	1-613263	2	Wheel And Tire ASM	84	1-543792	2	Wingnut-Nyloc 1/4-20
34:1	1-613264	2	Tire-Turfmaster	85	1-413541	1	Trim-Lok
34:2	1-603715	2	Wheel-Rim	86	103-1098	1	Stand W/ Trim-Lok
35	242-50	8	Nut-Lug 1/2-20	87	1-543882	2	Bolt, Hold Down
38	1-807264	1	Key-Machine 1/4 X 1/4 X 2 5/8	88	323-7	5	Screw-HH 3/8-16 X 1 1/4
39	103-6309	1	Asm, Drive Sheave ●	89	32120-10	2	Ring-Retaining
40	1-603609	1	Bushing, Clutch Keeper	90	1-807019	2	Key-Woodruff 1 X 1/4
41	1-373034	2	Washer	91	103-3504	2	Bearing-Spherical
42	1-603610	2	Washer-Spring Disc 7/16	92	106-7159	2	O-Ring
43	3212-10	1	Screw-HH 7/16-20 X 2 1/2 ■	93	103-5677	1	Spacer
44	3256-24	2	Washer-3/8 Sae	94	116-2839	2	Nut-Lock
45	109-4077	1	Pulley-Idler, Flat	95	1-603044	1	Bushing
46	1-603496	1	Bushing-Idler	96	321-8	1	Screw-HH 1/4-20 X 1 1/4
47	103-8599	1	Spring, Extension				

● Apply anti-seize compound in bore.

■ Use Pro-Lock, Nut Type (P/N 1-840022, .5ml tube) on threads.

# Engine Deck Assembly





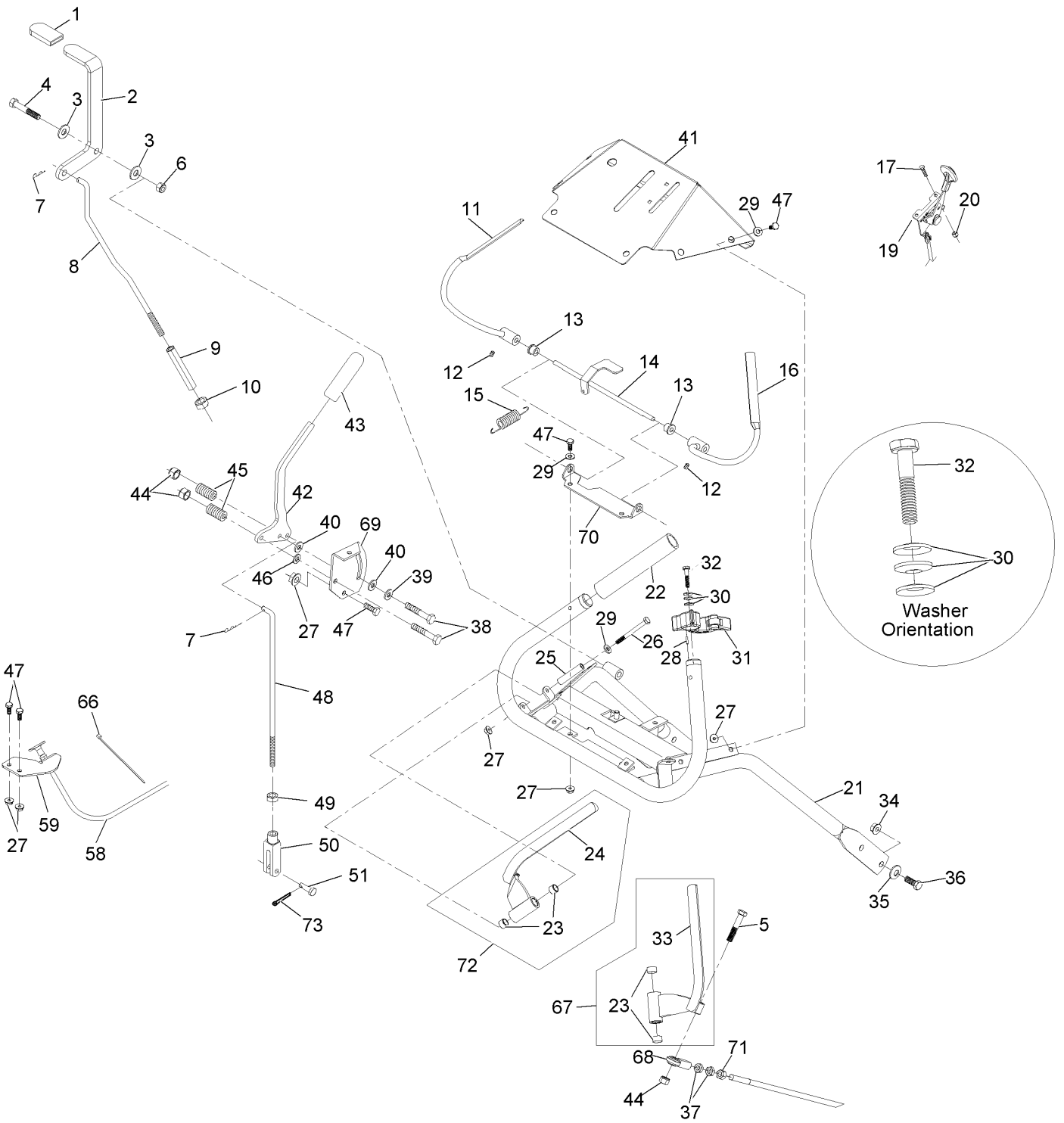
## Engine Deck Assembly (continued)

<i>Ref.</i>	<i>Part Number</i>	<i>Qty.</i>	<i>Description</i>	<i>Ref.</i>	<i>Part Number</i>	<i>Qty.</i>	<i>Description</i>
1	1-323245	1	Spring-Compression	40	3256-24	4	Washer-3/8 Sae
2	32128-20	20	Nut-Whizlock 5/16-18	41	103-3060	1	Knob-Tracking
3	3296-29	2	Nut-Nyloc 5/16-18	42	1-323161	1	Spring
4	1-613089	2	Tab-Spring, Extension	43	103-2004-03	1	Brake
5	1-603693	2	Spring	46	1-413492	1	Linkage, Upper Brake
6	110-4897-01	2	Shield-Control	47	323-16	1	Screw-HH 3/8-16 X 4
7	323-16	6	Screw-HH 3/8-16 X 4	48	3296-39	1	Nut-Nyloc 3/8-16
8	302-19	2	Zerk-1/4-28 Str	49	103-1148	2	Rod, Drive Lever
9	322-3	4	Screw-HH 5/16-18 X 3/4	50	323-8	2	Screw-HH 3/8-16 X 1 1/2
10	1-805005	4	Washer-Lock 5/16 Heavy	51	103-1167	2	Joint-Ball End, .38X.38Fe LH
11	3256-2	6	Washer-1/4 Std	52	103-1166	2	Spacer-Tube, Pump Link
12	3290-357	15	Nut-Whizlock 3/8-16	53	114-3549	4	Nut-M8
13	1-323195-01	4	Spacer-Shield	54	323-23	1	Screw-HH 3/8-16 X 4-1/2
14	1-633102	2	Bearing-Flanged	55	1-303020	1	Grip-Lever
15	1-323197-01	4	Spacer-Shield	56	323-9	2	Screw-HH 3/8-16 X 1 3/4
16	1-603737	2	Bolt-Neutral Return	57	323-4	3	Screw-HH 3/8-16 X 3/4
17	103-0265	2	Spring, Neutral Return	58	103-3495	1	Lever, Park Brake (116-1725-03) W/Decals
18	1-603735	2	Bushing-Flanged	59	1-414504	1	Bracket ASM
19	3219-2	7	Nut-Hex 5/16-24	60	1-413347	2	Sleeve-Bushing
20	1-303105	2	Yoke-Adjustable	61	1-413344	1	Bushing-Pivot
21	1-808280	2	Pin-Clevis 5/16 X 1 49/64	62	323-10	1	Screw-HH 3/8-16 X 2
22	1-806003	5	Hairpin-Cotter	63	1-414508	1	Bellcrank ASM
23	3220-2	2	Nut-Jam 5/16-24	64	1-303548	1	Bushing-Plastic
24	1-413350	2	Link-Control, Speed	65	32128-21	1	Nut-3/8-16 Flanged Side Lock
25	1-412203-01	1	Crank-Control, Speed	66	103-2399	1	Pin-Clevis Spring 3/8
26	1-633131	1	Yoke-Linkage, Brake	67	3218-2	2	Nut-Jam 5/16-18
27	3256-23	7	Washer-5/16 Sae	68	1-643312	1	Clip-Loom
28	1-603676	2	Swivel-Adjustable, Short	69	116-3735	1	Muffler-Horizontal
29	1-800016	2	Bolt-HH 5/16-18 X 1 1/4 Tap	70	1-653313	2	Gasket-Exhaust
30	1-413489	1	Linkage-Lower	71	114-3550	4	Washer-Lock, Spring
31	1-803022	2	Setscrew-5/16-18 X 5/8 ■	72	116-5052	1	Asm-Oil Drain Hose W/Plug ●
32	103-1190-01	1	Shaft-Control, LH	73	353-508	1	Plug-W/O-Ring
33	103-4796-01	1	Shaft-Control, RH	74	237-42	1	O-Ring
34	3218-3	1	Nut-Jam 3/8-16	75	116-6278-03	1	Guard-Muffler
35	116-3515	3	Screw, HH Special 5/16-18 X 1.25	76	323-6	4	Screw-HH 3/8-16 X 1
36	3272-5	2	Pin-Cotter 3/32 X 1/2	77	104-8301	4	Nut-Nyloc 3/8-16 Flg
37	1-603903	1	Spacer				
38	1-403180	2	Screw-HH 5/16-18 X 1 3/8 Special				
39	1-809056	2	Screw-Sh 5/16-18 X 1 3/8 ■				

● Use a Teflon Pipe Sealant or equivalent on threads.

■ Use Pro-Lock, Nut Type (P/N 1-840022, .5ml tube) on threads.

# ECS Upper Handles and Controls Assembly

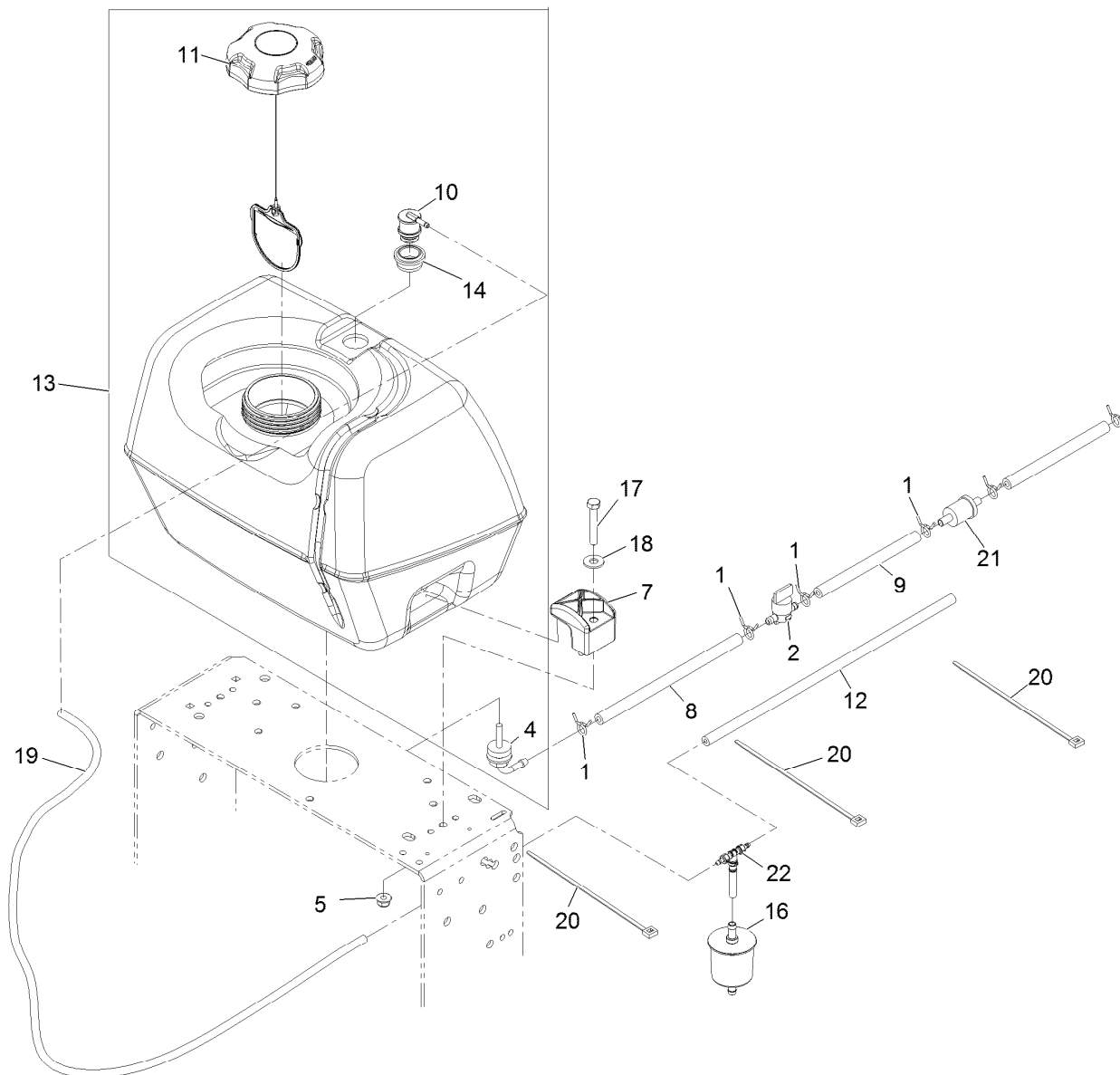


# ECS Upper Handles and Controls Assembly (continued)

<i>Ref.</i>	<i>Part Number</i>	<i>Qty.</i>	<i>Description</i>	<i>Ref.</i>	<i>Part Number</i>	<i>Qty.</i>	<i>Description</i>
1	1-303020	1	Grip-Lever	32	103-0235	2	Screw-HH 1/4-20 X 1 1/8 W/Nylon ●
2	116-6334	1	Asm, Lever (116-1736-03) W/Grip	33	116-4082-03	1	Lever, Drive RH
3	3256-4	2	Washer-3/8 Std	34	3290-357	4	Nut-Whizlock 3/8-16
4	323-11	1	Screw-HH 3/8-16 X 2 1/4	35	98-5975	4	Washer-Spring Disc 3/8
5	322-9	2	Screw-HH 5/16-18 X 1 3/4	36	323-6	4	Screw-HH 3/8-16 X 1
6	3296-39	1	Nut-Nyloc 3/8-16	37	3220-3	4	Nut-Jam 3/8-24
7	1-806003	2	Hairpin-Cotter	38	322-10	4	Screw-HH 5/16-18 X 2
8	103-1149	1	Linkage, Upper	39	1-603716	1	Washer-Friction Disc
9	1-413279	1	Turnbuckle, 3/8-16 Ss	40	1-323244	2	Washer-Friction
10	3217-7	1	Nut-Hex 3/8-16	41	109-4650	1	Asm, Console (109-4649-03)W/ Decals
11	116-4079	1	Wld, Lever, Opc (LH) ■	42	116-8632	1	Lever-Shift W/Grip
12	1-803322	2	Setscrew-5/16-24 X 5/16 ●	43	103-5994	1	Grip, Steering Handle
13	1-303365	2	Bushing-Nylon	44	3296-29	4	Nut-Nyloc 5/16-18
14	103-0769-03	1	Rod Weldment, Opc	45	1-323245	2	Spring-Compression
15	1-303363	1	Spring-Extension	46	3256-23	1	Washer-5/16 Sae
16	116-4080	1	Wld, Opc Lever (RH) ■	47	321-3	12	Screw-HH 1/4-20 X 5/8
17	1-807513	2	Bolt-Carriage #10-24 X 1/2	48	1-413225	1	Rod, Speed Control
19	116-2426	1	Cable, Throttle	49	3220-2	1	Nut-Jam 5/16-24
20	3296-2	2	Nut-Nyloc #10-24	50	1-303105	1	Yoke-Adjustable
21	103-0770-03	1	Handle Weldment (1-412449)	51	1-808280	1	Pin-Clevis 5/16 X 1 49/64
22	103-0815	2	Grip-Bar, Handle	58	103-1796	1	Cable-Choke
23	1-413152	4	Bushing-Sleeve	59	103-1797-01	1	Bracket-Cable, Choke
24	116-4081-03	1	Lever, Drive LH	66	1-303287	1	Tie-Cable 5 1/2 (Small)
25	103-0027	2	Bushing-Lever, Drive	67	103-2513	1	Asm, Drive Lever RH
26	321-14	2	Screw-HH 1/4-20 X 2 3/4	68	103-2463	2	Balljoint
27	32128-33	14	Nut-Whizlock 1/4-20	69	103-0503	1	Bracket, Shifter Slide
28	103-0464	2	Pin-Spring 1/8 X 1/2	70	103-0489-03	1	Bracket, Opc Axle
29	3256-22	10	Washer-1/4 Sae	71	3219-3	2	Nut-Hex 3/8-24
30	1-303435	6	Washer-Spring Disc 1/4	72	103-2514	1	Asm, Drive Lever LH
31	103-1371	1	Thumb Latch Asm RH	73	3272-5	1	Pin-Cotter 3/32 X 1/2
31	103-1372	1	Thumb Latch Asm LH				

● Use Pro-Lock, Nut Type (P/N 1-840022, .5ml tube) on threads.

■ Use Pro-Lock retaining type, Part no. 1-840023 (.5cc tube) on inside of bore of OPC hub.



## Fuel Tank Assembly

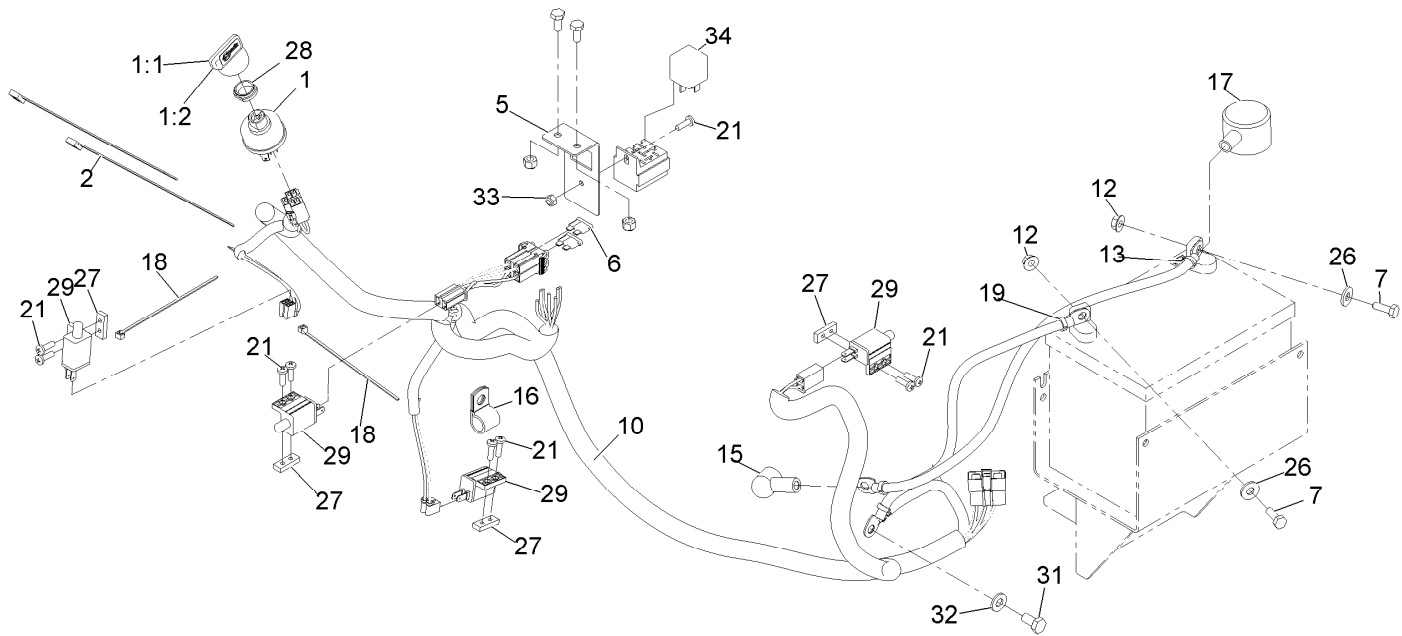
Ref.	Part Number	Qty.	Description
1	2412-98	4	Clamp-Hose
2	1-603770	1	Valve-Fuel
4	103-2605	1	Fitting-Fuel Bulkhead W/Strainer ▲
5	104-8300	2	Nut-Nyloc 5/16-18 Fig
7	107-4543	2	Clamp
8	109-0650	1	Hose-Fuel
9	99-9415	1	Hose-Fuel
10	114-0285	1	Valve-Rollover
11	115-4465	1	Cap-Fuel, Ratcheting
12	115-7872	1	Hose-Fuel

Ref.	Part Number	Qty.	Description
13	116-3656	1	ASM, Fuel Tank
14	119-6549	1	Grommet-Valve, Roll-Over
16	120-2235	1	Filter-Fuel
17	322-10	2	Screw-HH 5/16-18 X 2
18	3256-3	2	Washer-5/16 Std
19	116-4346	1	Hose-Emissions
20	1-303335	3	Tie-Cable 7 15/16 (Large)
21		1	Pn 49019-0014 Filter W/6In Fuel Line ■●
22	116-5464	1	Tee And Check

● Not serviced separately

▲ Use Pro-Lock, Nut Type (P/N 1-840022, .5ml tube) on threads.

■ Obtain parts from [www.kawpowerpc.com](http://www.kawpowerpc.com)



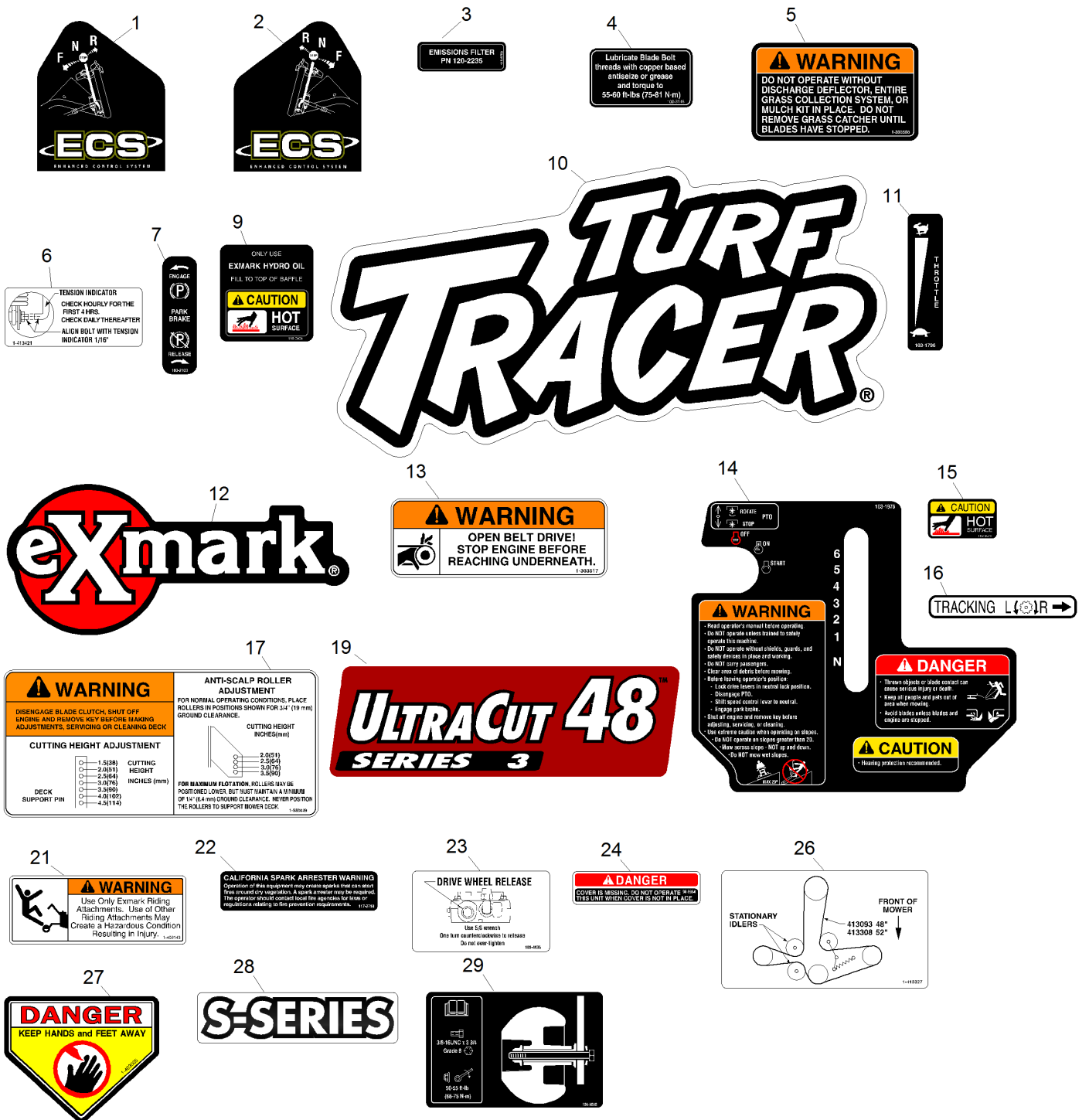
## Electrical Assembly

Ref.	Part Number	Qty.	Description
1	103-0206	1	Switch-Ignition W/Keys
1:1	1-603511	1	Key-Ignition
1:2	103-2106	1	Key-Exmark Logo
2	1-303335	2	Tie-Cable 7 15/16 (Large)
5	116-2738-01	1	Bracket, Fuse
6	1-816001	2	Fuse-Blade Type, 20 Amp
7	321-4	5	Screw-HH 1/4-20 X 3/4
10	116-8375	1	Harness, Wiring ●
12	32128-33	2	Nut-Whizlock 1/4-20
13	109-7628	1	Cable, Battery +
15	1-543393	1	Insulator-Solenoid
16	1-603727	1	Clip-Loom

Ref.	Part Number	Qty.	Description
17	109-2407	1	Insulator-Battery
18	1-303287	2	Tie-Cable 5 1/2 (Small)
19	1-413540	1	Cable-Battery, Negative
21	3290-500	9	Screw-PPH #10-24 X 5/8
26	3256-2	2	Washer-1/4 Std
27	1-633181	4	Plate-Tapped
28	103-0498	1	Nut-Ignition
29	1-513051	4	Switch-N.O.
31	33114-016	1	Screw-HH M8-1.25 X 16Mm
32	33094-00	1	Washer
33	3296-2	1	Nut-Nyloc #10-24
34	1-643275	1	Relay-12Vdc 40 Amp

● Use dielectric grease on all unsealed connectors and terminals only. Do not apply in sealed connectors.

# Decals

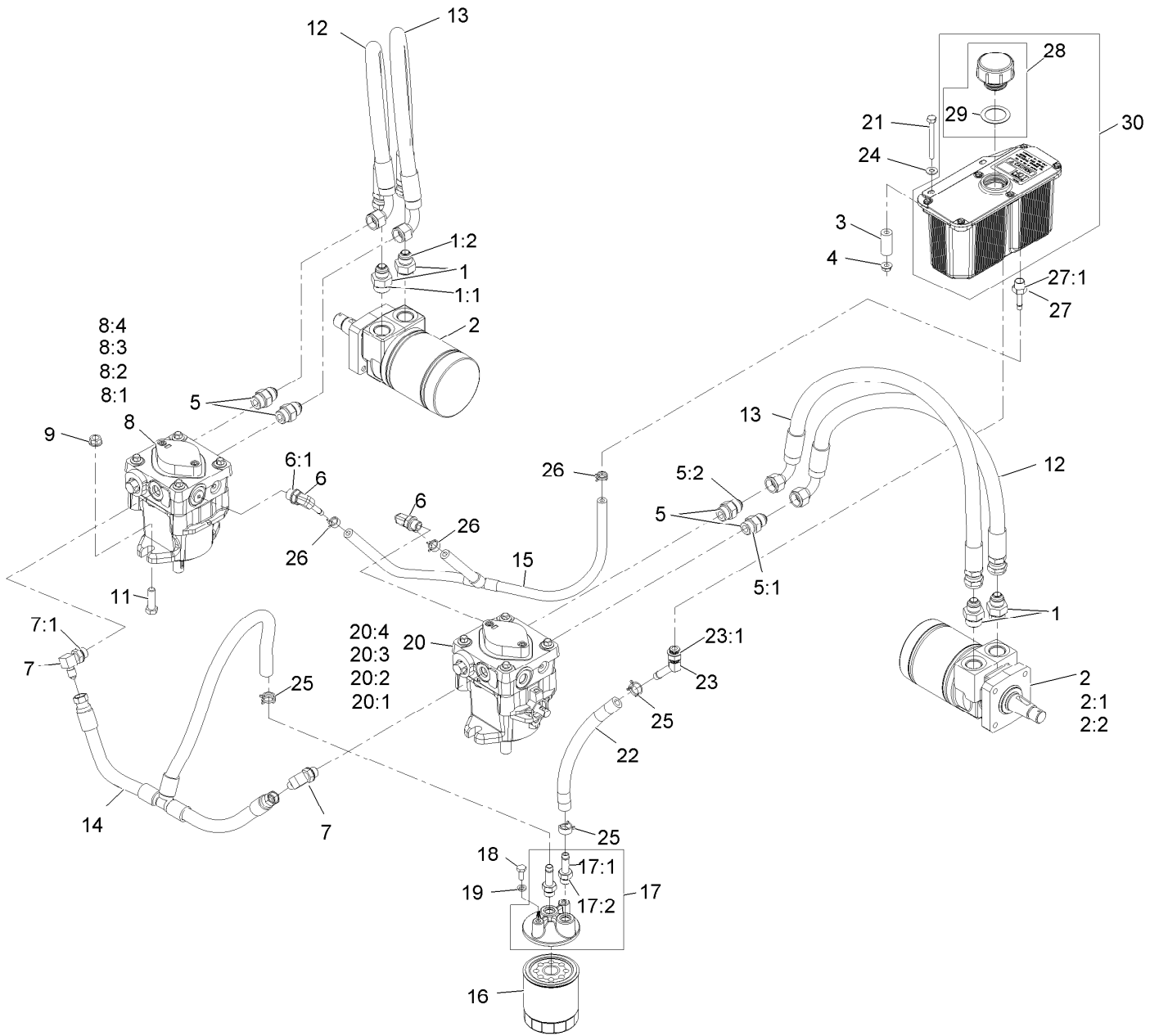


## Decals (continued)

<i>Ref.</i>	<i>Part Number</i>	<i>Qty.</i>	<i>Description</i>	<i>Ref.</i>	<i>Part Number</i>	<i>Qty.</i>	<i>Description</i>
1	103-2242	1	Decal, Ecs Instruction LH	15	103-2076	2	Decal-Caution
2	103-2243	1	Decal, Ecs Instruction RH	16	1-413214	1	Decal, Tracking
3	116-4769	1	Decal-Filter, Emissions	17	1-553049	1	Decal, Mower Deck
4	109-3148	1	Decal, Bolt Torque	19	116-4697	1	Decal-Ultracut 48 Series 3
5	1-303508	1	Decal-Warning, Discharge	21	1-403143	1	Decal, Sulky Warning
6	1-413421	1	Decal, Indicator	22	117-2718	1	Decal-Arrester, Spark
7	103-2103	1	Decal-Brake, Park	23	103-4935	1	Decal, Drive Wheel Release
9	116-0404	1	Decal-Hydraulic Tank	24	98-5954	3	Decal-Cover, Missing
10	103-3013	1	Decal, Turf Tracer	26	1-413327	1	Decal, Belt Routing (48")
11	103-1798	1	Decal, Throttle	27	1-403005	2	Decal-Danger
12	103-2882	1	Decal, Exmark Logo	28	116-3884	2	Decal-S-Series
13	1-303517	1	Decal,Belt Drive	29	126-0898	1	Decal-Roller Mounting
14	103-1976	1	Decal, Ecs Console	99	103-2461	1	Decal Kit(Standard) ●

● Not illustrated

# Hydraulic Assembly





## Hydraulic Assembly (continued)

<i>Ref.</i>	<i>Part Number</i>	<i>Qty.</i>	<i>Description</i>	<i>Ref.</i>	<i>Part Number</i>	<i>Qty.</i>	<i>Description</i>
1	1-603991	4	Adapter-Straight	15	116-0918	1	Case Drain Hose ASM
1:1	1-603919	1	O-Ring-Sae #10	16	109-4180	1	Element, Oil Filter
1:2	1-603992	1	O-Ring-37 Flare #8	16	1-523541	1	Element, Oil Filter (Winter) ●
2	1-603718	2	HYD Motor ASM	17	103-2889	1	Filter Head ASM
2:1	1-000138	1	Bearing And Seal Kit	17:1	103-1912	2	Adapter-Straight
2:2	1-000119	1	Seal Kit	17:2	1-603921	1	O-Ring-Sae #6
3	103-2191	2	Spacer	18	321-3	2	Screw-HH 1/4-20 X 5/8
4	32128-33	2	Nut-Whizlock 1/4-20	19	1-805004	2	Washer-Lock 1/4 Heavy
5	1-603990	4	Adapter-Straight	20	116-0943	1	RH HYD Pump ASM
5:1	1-603920	1	O-Ring-Sae #8	20:1	103-2664	1	Input Shaft Kit
5:2	1-603992	1	O-Ring-37 Flare #8	20:2	94-6922	1	Bearing-Thrust
6	103-1799	2	Elbow-90 DEG	20:3	103-2666	1	Cylinder Block Kit
6:1	1-603921	1	O-Ring-Sae #6	20:4	105-6184	1	Seal Overhaul Kit
7	103-1802	2	Fitting-HYD, 90 DEG	21	321-15	2	Screw-HH
7:1	1-603921	1	O-Ring-Sae #6	22	103-2959	1	Hose-Charge
8	116-0942	1	LH HYD Pump ASM	23	103-1807	1	Fitting-Barbed, 45 DEG
8:1	103-2664	1	Input Shaft Kit	23:1	1-603921	1	O-Ring-Sae #6
8:2	94-6922	1	Bearing-Thrust	24	3256-22	2	Washer-1/4 Sae
8:3	103-2666	1	Cylinder Block Kit	25	103-1988	3	Clamp-Hose 11/16
8:4	105-6184	1	Seal Overhaul Kit	26	103-1716	3	Clamp-Hose 17/32
9	32128-43	4	Nut-Whizlock 3/8-16	27	103-1801	1	Adapter-Straight
11	323-7	4	Screw-HH 3/8-16 X 1 1/4	27:1	1-603921	1	O-Ring-Sae #6
12	119-7827	2	HYD Hose ASM	28	103-7615	1	Asm, Cap W/Gasket
13	119-7826	2	HYD Hose ASM	29	103-1949	1	Gasket-Cap
14	116-2123	1	Charge Hose ASM	30	103-1947	1	HYD Reservoir ASM

● Use only for operation below 32°F (0°C).

**Notes:**

# EXMARK® MAINTENANCE

## MAXIMIZE THE PERFORMANCE OF YOUR EXMARK.

### **4-CYCLE PREMIUM ENGINE OIL**

Part No. 116-3373

Both SAE 30 and SAE 10W-30 in one bottle.

Contains increased levels of zinc and phosphorus for better lubricity.

No Viscosity Index Improvers that tend to shear down in high heat.

Synthetic formulation.

Gas & Diesel compatible.

Anti-corrosion additives.

API 'SL' and JASO rated with wet clutch compatibility for other machines.

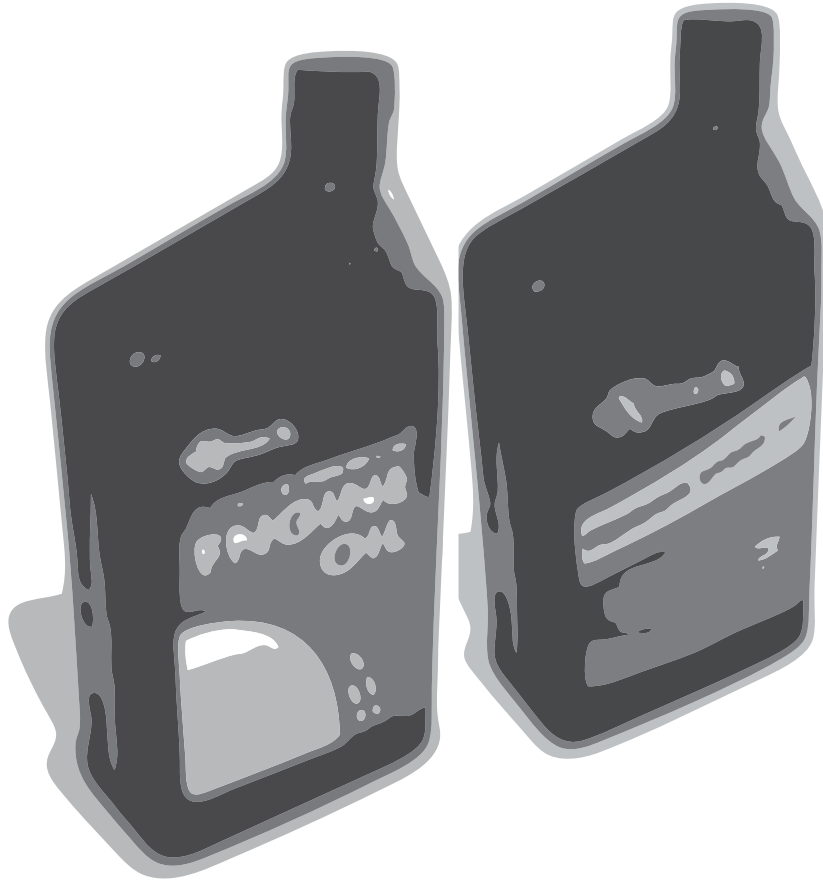
### **PREMIUM HYDRO OIL**

Part No. 109-9828

Commercial quality for tough, high-heat conditions.

Designed specifically for zero-turn mower hydraulic systems.

Superior shear resistance under heavy loads.



Available from your local Exmark dealer. Find your closest dealer at [exmark.com](http://exmark.com)

## EXMARK ACCESSORIES AND OPTIONS\*

### MID-MOUNT RIDING ACCESSORIES AND OPTIONS

CUSTOM RIDE SEAT SUSPENSION SYSTEM	OPERATOR CONTROLLED DISCHARGE
FULL SUSPENSION SEAT	SUN SHADE
DECK LIFT ASSIST KIT	TRASH CONTAINER
HITCH KIT	TURF STRIPER
LIGHT KIT	ULTRA VAC COLLECTION SYSTEM
12V POWER PORT	ULTRA VAC QUICK DISPOSAL SYSTEM
MICRO-MULCH SYSTEM	

### OUT-FRONT RIDING ACCESSORIES AND OPTIONS

CUSTOM RIDE SEAT SUSPENSION SYSTEM	SNOW BLADE
DUAL-TAIL WHEEL	SNOWBLOWER
FLOOR PAN EXTENDER	SUN SHADE
HITCH KIT	TRASH CONTAINER
LIGHT KIT	ULTRA VAC COLLECTION SYSTEM
MICRO-MULCH SYSTEM	ULTRA VAC QUICK DISPOSAL SYSTEM
ROLL OVER PROTECTION SYSTEM (ROPS)	WEATHER CAB

### WALK-BEHIND ACCESSORIES AND OPTIONS

GRASS CATCHER	TURF STRIPER
MICRO-MULCH SYSTEM	STANDON

\*Some accessories and options not available for some models.

Place Model No. and Serial No.  
Label Here (Included in the Literature  
Pack) or Fill in Below

Model No. \_\_\_\_\_

Serial No. \_\_\_\_\_

Date Purchased \_\_\_\_\_

Engine Model No. and Spec. No. \_\_\_\_\_

Engine Serial No. (E/No) \_\_\_\_\_

© 2014 Exmark Mfg. Co., Inc.  
Industrial Park Box 808  
Beatrice, NE 68310  
All Rights Reserved

Part No. 4501-825 Rev. A  
(402) 223-6300  
Fax (402) 223-5489  
Printed in the USA.

