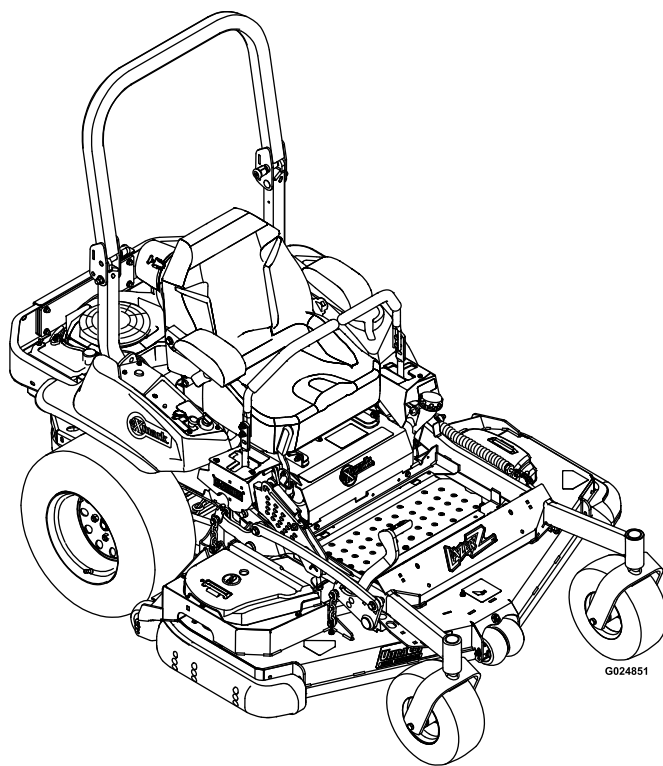




# LAZER Z<sup>®</sup> S-SERIES

Model No. LZS749EKC72RD—Serial No. 31400000 and Up

Picture below may not reflect actual product.



# Parts Manual

# Ordering Replacement Parts

To order replacement parts, please supply the part number, the quantity, and the description of each part desired.

## Understanding Reference Numbers

Each identified part in an illustration has a reference number. The reference number for a part also appears in the parts list, along with other information about the part.

This catalog uses two special reference number formats, one to indicate parts in a service assembly and another to indicate the quantity of a given part in an illustration.

## Service Assembly Reference Numbers

Parts in service assemblies have reference numbers in the form a:b. The a represents the reference number of the entire service assembly and the b represents a sequential number unique to each part within the service assembly.

For example, a wheel assembly might be identified by reference number 6, the tire by 6:1, the valve by 6:2, and the wheel by 6:3. When you order the assembly identified by reference number 6, you receive all parts identified by reference numbers 6:1, 6:2, and 6:3. However, you may also order any part individually. Reference numbers of this type appear in illustration and in parts lists.

## Reference Numbers Indicating Quantity

In an illustration, if a reference number indicates more than one part, the reference number has the form nX y. The n represents the quantity of the part, the X is the multiplication symbol, and the y represents the reference number.

For example, in an illustration, the reference number 2X 37 means that two of the parts identified by reference number 37 are indicated.

# List of Abbreviations

<b>AR:</b> as required	<b>HJ:</b> hex jam	<b>PRH:</b> phillips round head
<b>ASM:</b> assembly	<b>HLH:</b> hex lag head	<b>PTH:</b> phillips truss head
<b>BBC:</b> blade brake control	<b>HOC:</b> height-of-cut	<b>PTO:</b> power-take-off
<b>BHTF:</b> button head thread forming	<b>HSBH:</b> hex socket button head	<b>RH:</b> right hand
<b>CARR:</b> carriage	<b>HSFH:</b> hex socket flat head	<b>ROPS:</b> roll-over protection system
<b>CCW:</b> counter clockwise	<b>HSH:</b> hex socket head	<b>RRB:</b> rear roller brush
<b>CW:</b> clockwise	<b>HWH:</b> hex washer head	<b>SFH:</b> slotted fillister head
<b>DEG:</b> degrees	<b>HWHTF:</b> hex washer head thread forming	<b>SHH:</b> slotted hex head
<b>DPA:</b> Dual Point Adjustment	<b>HYD:</b> hydraulic	<b>SHWH:</b> slotted hex washer head
<b>ECM:</b> electronic control module	<b>LH:</b> left hand	<b>SPH:</b> slotted pan head
<b>EXT:</b> external	<b>LP:</b> Liquefied Petroleum Gas	<b>SQH:</b> square head
<b>FH:</b> flat head	<b>LPG:</b> Liquefied Petroleum Gas	<b>SRH:</b> slotted round head
<b>GA:</b> gauge	<b>NI:</b> nylon insert	<b>STD:</b> standard
<b>HD:</b> heavy-duty	<b>NPTF:</b> national pipe thread fine	<b>TAP:</b> self tapping
<b>HF:</b> hex flange	<b>PFH:</b> phillips flat head	<b>TTH:</b> torx truss head
<b>HH:</b> hex head	<b>PPH:</b> phillips pan head	
<b>HHF:</b> hex head flange	<b>PPHTF:</b> phillips pan head thread forming	
<b>HHFTF:</b> hex head flange thread forming		

# Touch Up Paint

Exmark black touch up spray paint – gloss black.

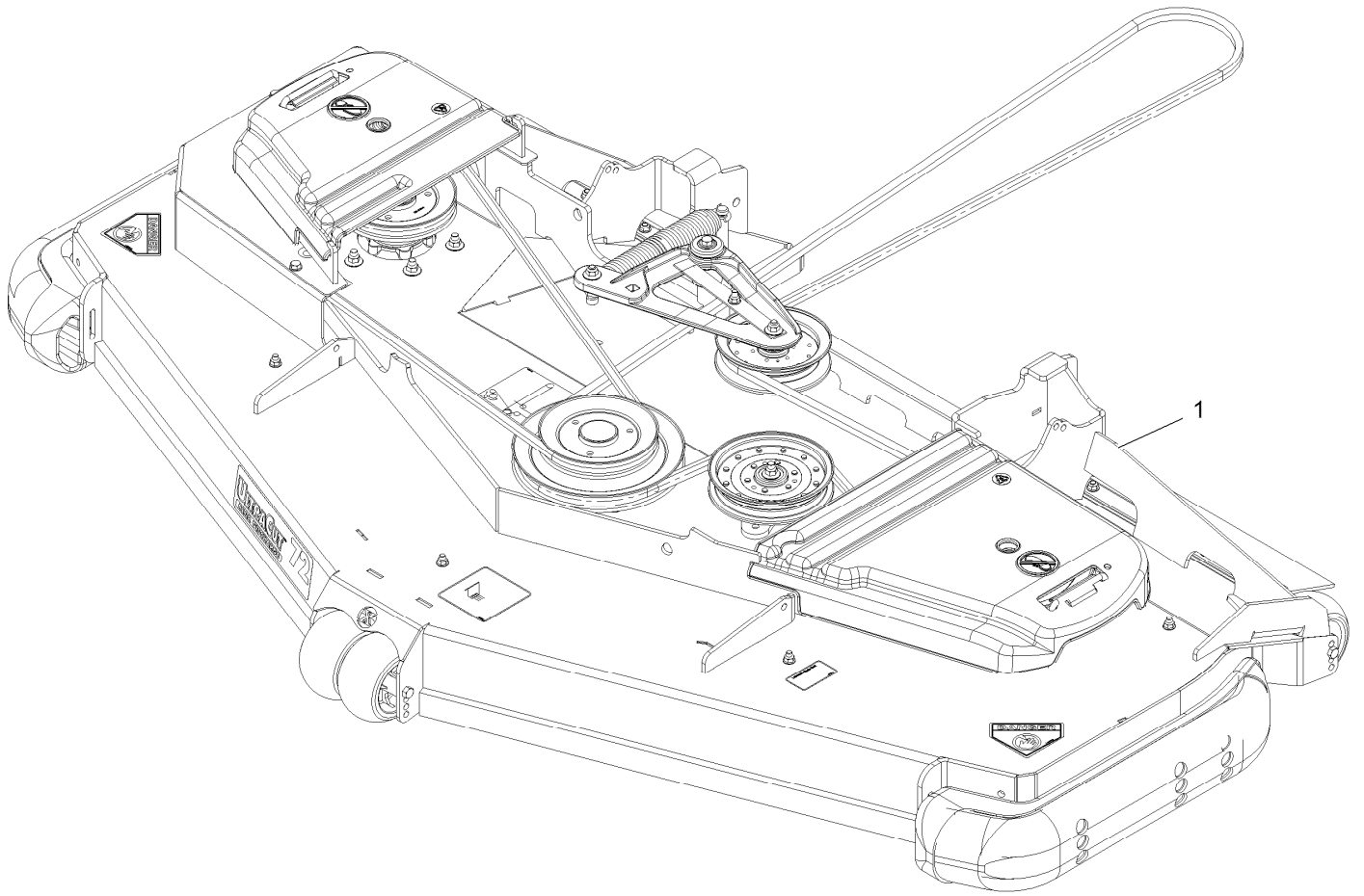
Exmark red touch up paint (spray paint – P/N 1-850337 - .6 oz liquid bottle – P/N 103-9140).



If your Exmark dealer does not have the Exmark part in stock, Exmark will get the parts to the dealer the next business day or the part will be FREE Guaranteed!! (Some restrictions apply. See your participating Exmark Dealer for details.)

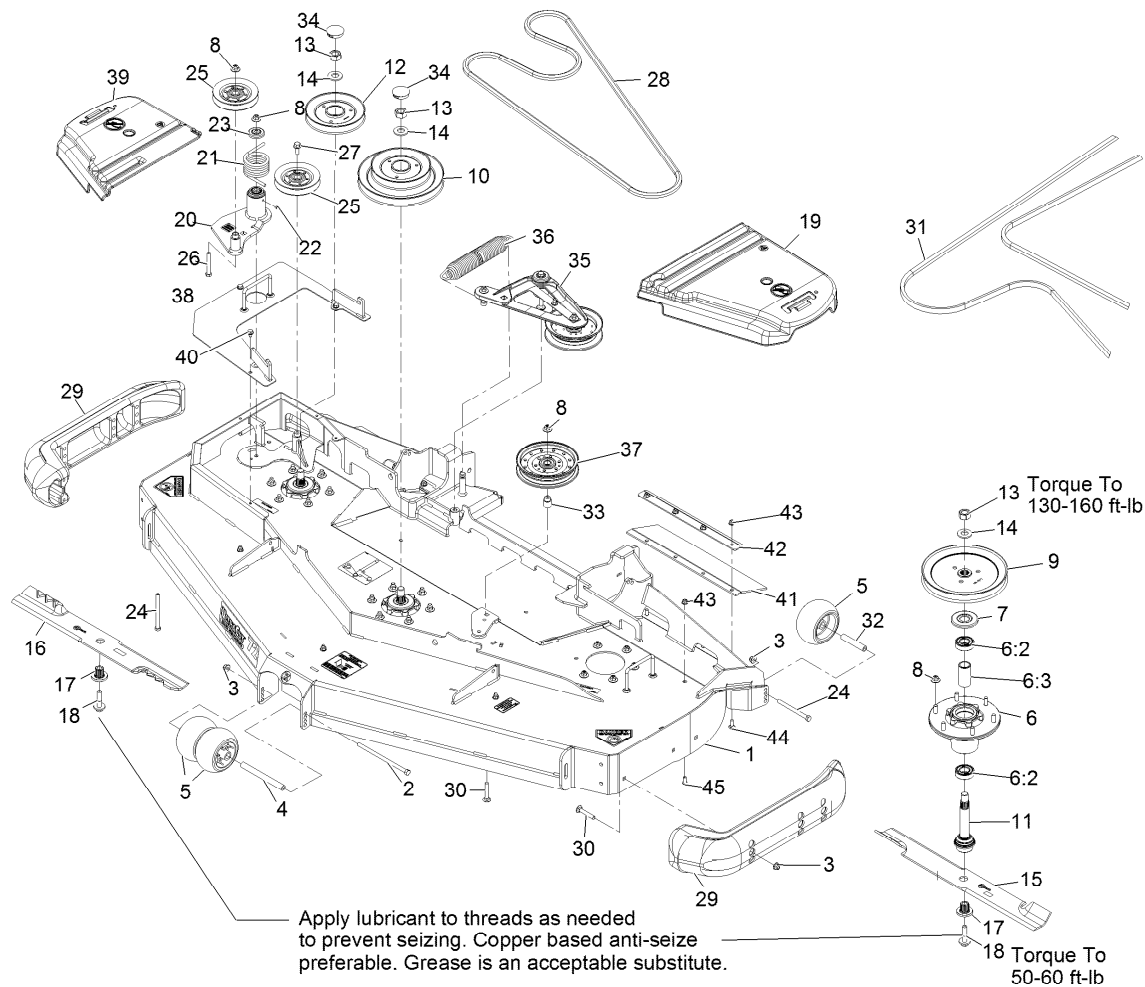
## Contents

Complete Deck Assembly.....	4
Deck Assembly.....	5
Deck W/Decals Assembly No. 116-9827.....	6
Deck Idler Assembly No. 126-1720.....	7
Idler Assembly No. 126-0853.....	8
Main Frame Assembly.....	9
Roll-over Protection System Assembly No. 116-0230.....	10
Caster Wheel and Fork Assembly.....	11
Deck Lift Assembly.....	12
Discharge Tunnel Assembly No. 125-9377.....	13
Height-of-Cut Assembly No. 109-7438.....	14
Controls Assembly.....	15
Motion Control Assembly.....	16
Rear Wheel and Park Brake Assembly.....	17
Parking Brake Handle Assembly No. 116-7551.....	18
Seat Assembly.....	19
Seat W/Tracks Assembly No. 116-4474.....	20
Fuel Tank Mounting Assembly.....	21
Fuel Tank Assembly No. 116-3979.....	22
Engine Assembly.....	23
Hydraulic Assembly.....	24
LH Hydro Assembly No. 116-6413.....	25
RH Hydro Assembly No. 116-6414.....	26
Pump Idler Assembly No. 116-1255.....	27
Electrical Assembly.....	28



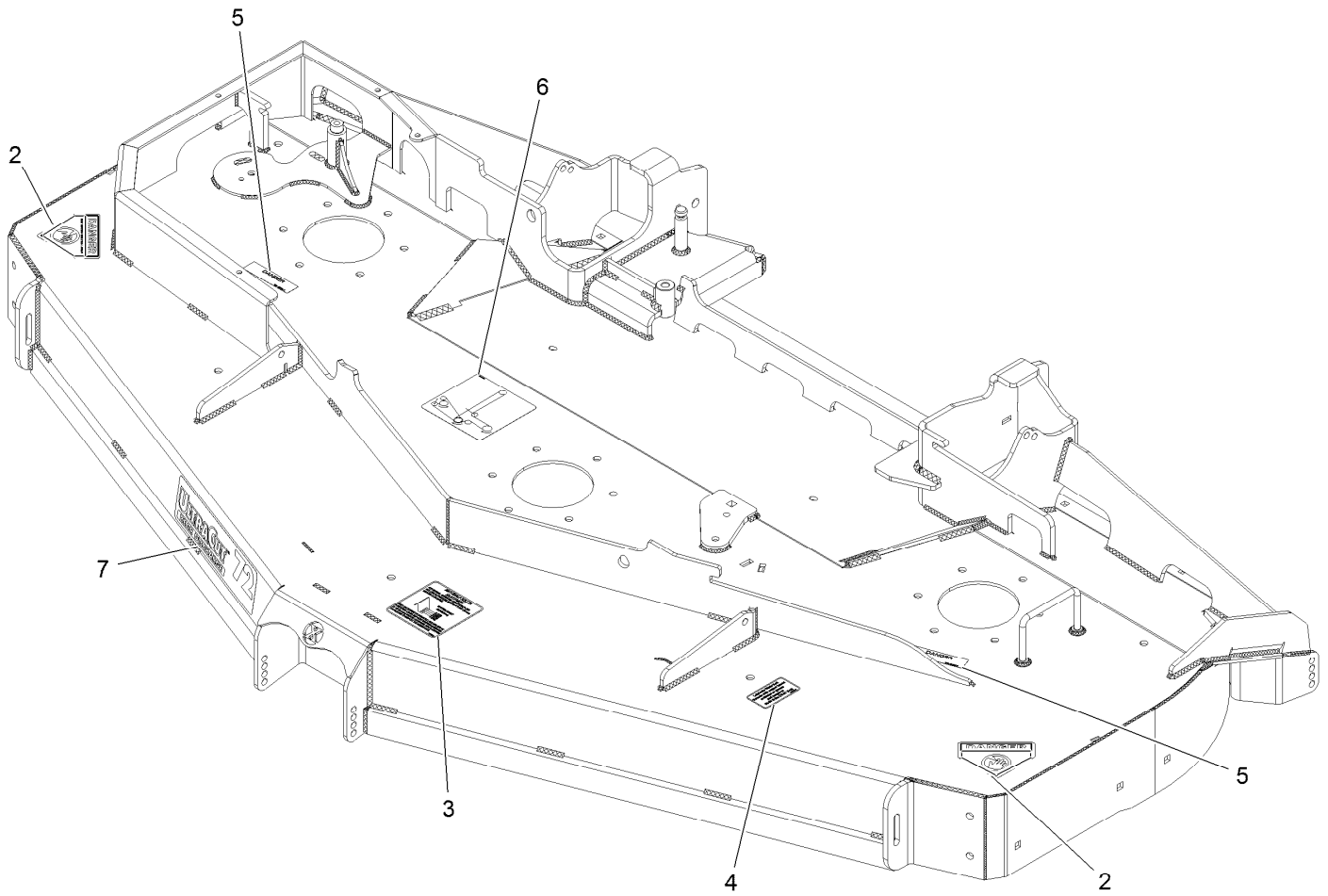
## Complete Deck Assembly

<i>Ref.</i>	<i>Part Number</i>	<i>Qty.</i>	<i>Description</i>
1	126-0377	1	ASM-Deck Complete Rd72 Nlz



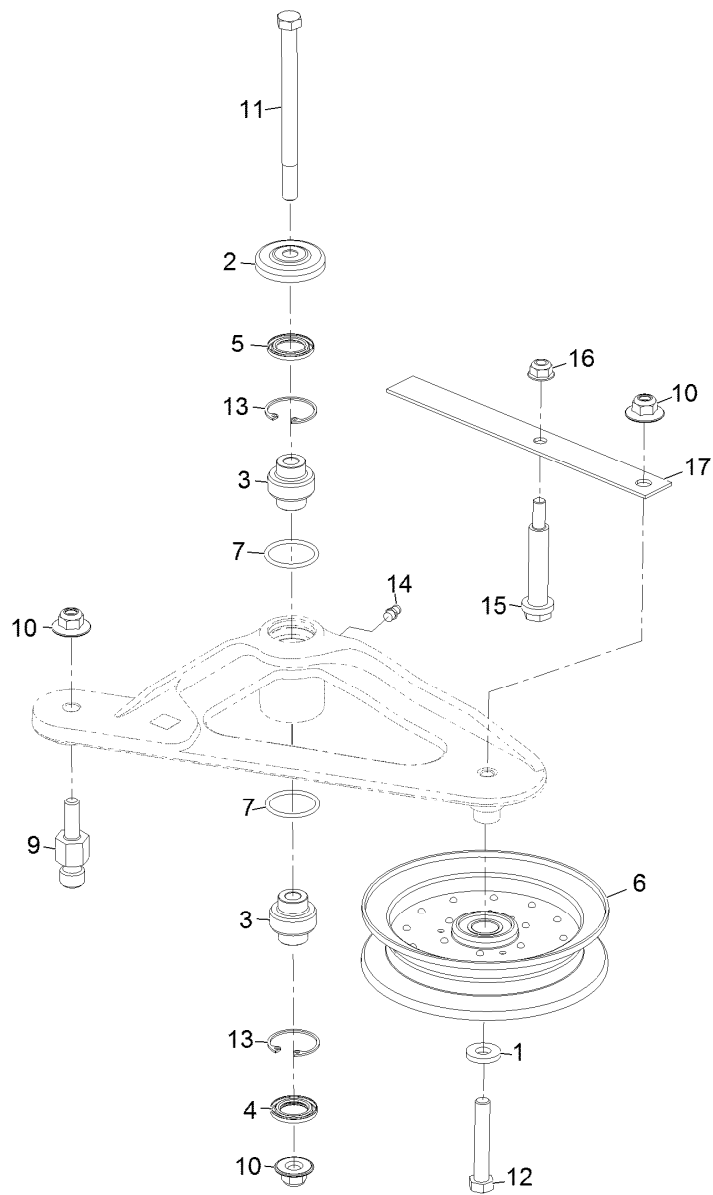
## Deck Assembly

Ref.	Part Number	Qty.	Description	Ref.	Part Number	Qty.	Description
1	116-9827	1	Deck-Rd72 Nlz, W/Decals	20	126-0853	1	Idler ASM
2	108-5388	1	Screw-HH	21	108-1921	1	Spring-Torsion
3	104-8301	9	Nut-Nyloc 3/8-16 Flg	22	302-19	1	Zerk-1/4-28 Str
4	98-5967	1	Spacer-Wheel	23	103-2916	1	Guard-Top
5	1-603299	4	Roller-Scalp, Anti	24	323-23	3	Screw-HH 3/8-16 X 4-1/2
6	116-3344	3	ASM-Cutter Hsg With Bearings	25	126-1478	2	Sheave
6:2	116-0720	2	Bearing-Ball	26	323-13	1	Screw-HH 3/8-16 X 2 3/4
6:3	116-3312	1	Spacer-Bearing	27	3234-11	1	Screw-HH Flg 3/8-16 X 1
7	116-1286	3	Guard,Bearing Top .989	28	116-8501	1	Belt-Bb Sec
8	109-6658	21	Nut-Nyloc 3/8-16 Flg	29	112-1479	2	Skid-Bumper, Deck
9	116-1377	1	Sheave,Blade Drive 8.74	30	3231-7	7	Bolt-Carriage 3/8-16 X 2 1/4
10	126-0353	1	Jackshaft-Rev Drive 72Rd Ser 4	31	109-8070	1	Belt-V
11	116-3341	3	ASM-Spindle And Seal	32	98-7912	2	Tube-Spanner
12	126-0354	1	Sheave-Rd Rev Drive Series 4	33	1-633456	1	Bushing, Idler
13	116-7306	3	Nut-Hex	34	116-2253	2	Plug,Black Nylon 1.75
14	103-2802	3	Washer-Spring Disc 3/4	35	126-1720	1	Deck Idler ASM
15	103-6389	2	Blade, Low Lift (72")	36	116-6317	1	Spring-Extension
15	103-6404	2	Blade, Notched (72")	37	116-4670	1	Pulley-Idler, Flat
15	116-5171	2	Blade-Extreme 2, 24.50"	38	125-9374-01	1	Cover-Reverse Drive
16	116-8503	1	Blade-Extreme 2-24.50, Rd72	39	116-0094	1	Cover-Belt, RH
16	116-8502	1	Blade-Low Lift 24.50, Rd72	40	9266934	3	Screw-HWH 5/16 X 1/2 Tf
17	103-3037	3	Bushing, Splined	41	125-9380	2	Guard-Tire
18	109-9220	3	Screw-Sems 1/2-20 X 2.19	42	126-0414-01	2	Support-Outer Flap
19	109-6938	1	Cover-Belt, LH	43	104-8300	12	Nut-Nyloc 5/16-18 Flg
				44	3230-16	8	Bolt-Carriage 5/16-18 X 7/8
				45	3274-55	4	Screw-Button Head 5/16-18 X 3/4



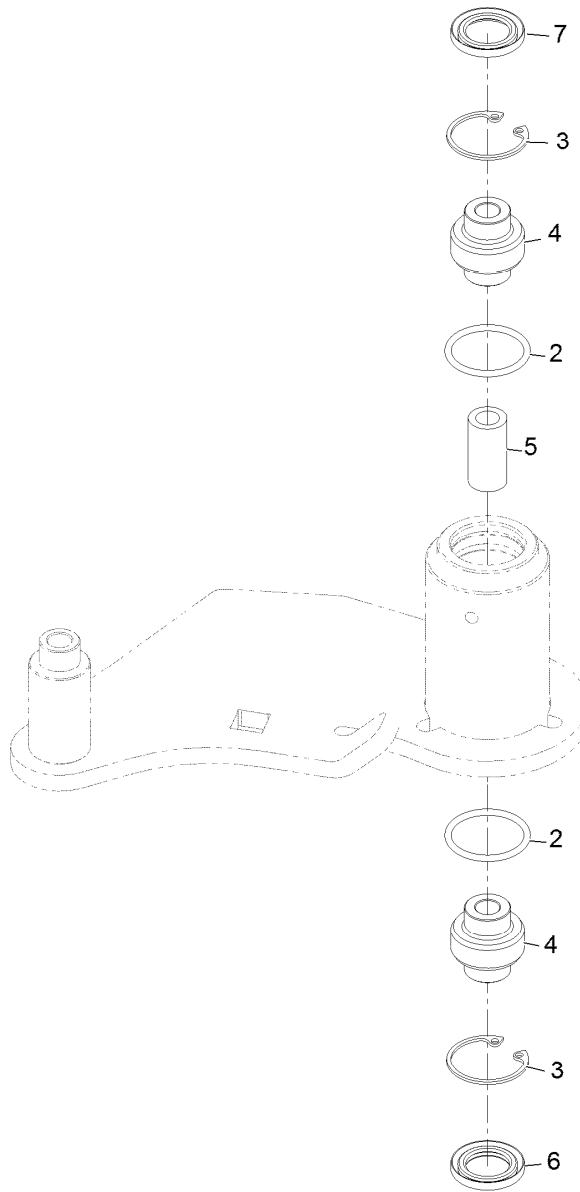
## Deck W/Decals Assembly No. 116-9827

<i>Ref.</i>	<i>Part Number</i>	<i>Qty.</i>	<i>Description</i>
2	1-403005	2	Decal-Danger
3	1-633922	1	Decal, Anti-Scalp
4	109-3148	1	Decal, Bolt Torque
5	98-5954	2	Decal-Cover, Missing
6	126-0768	1	Decal-Belt Routing Nlz Rd
7	116-8600	1	Decal,Rear Discharge 72



## Deck Idler Assembly No. 126-1720

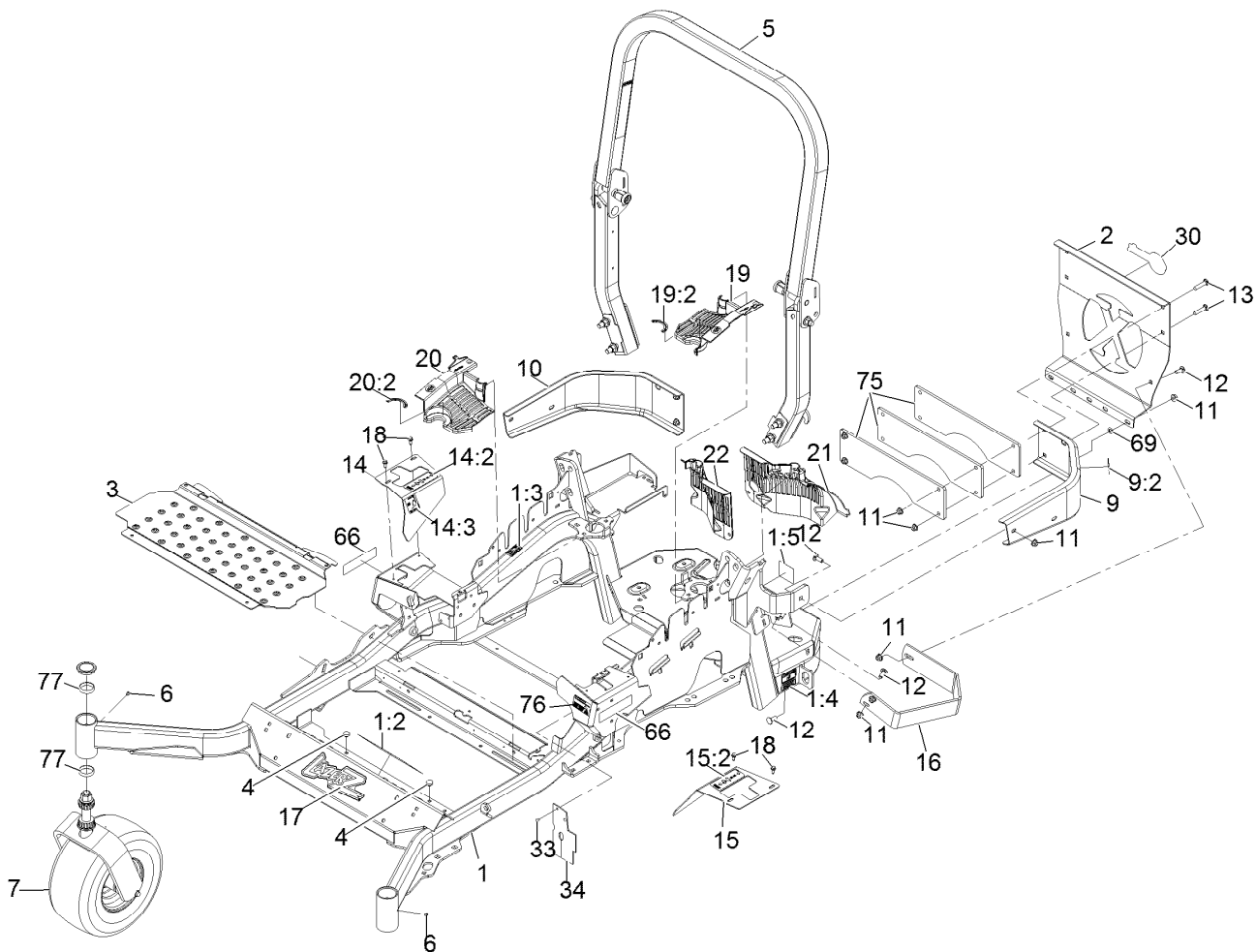
<i>Ref.</i>	<i>Part Number</i>	<i>Qty.</i>	<i>Description</i>	<i>Ref.</i>	<i>Part Number</i>	<i>Qty.</i>	<i>Description</i>
1	43-0940	1	Spacer	11	109-7409	1	Screw-Shoulder 3/8-16 X 5
2	103-2916	1	Guard-Top	12	104-3396	1	Screw-HH
3	103-3504	2	Bearing-Spherical	13	32120-10	2	Ring-Retaining
4	103-3505	1	Seal-Double Lip	14	302-19	1	Zerk-1/4-28 Str
5	103-3506	1	Seal-Single Lip	15	88-4590	1	Screw-Shoulder 5/16-18 X 1 29/32
6	116-4668	1	Idler-Pulley, Flanged	16	104-8300	1	Nut-Nyloc 5/16-18 Flg
7	106-7159	2	O-Ring	17	126-1704	1	Spring-Belt Guide Leaf
9	126-0423	1	Pin-Spring, Anchor				
10	109-6658	2	Nut-Nyloc 3/8-16 Flg				



## Idler Assembly No. 126-0853

<i>Ref.</i>	<i>Part Number</i>	<i>Qty.</i>	<i>Description</i>
2	106-7159	2	O-Ring
3	32120-10	2	Ring-Retaining
4	103-3504	2	Bearing-Spherical
5	108-6544	1	Spacer
6	103-3505	1	Seal-Double Lip
7	103-3506	1	Seal-Single Lip

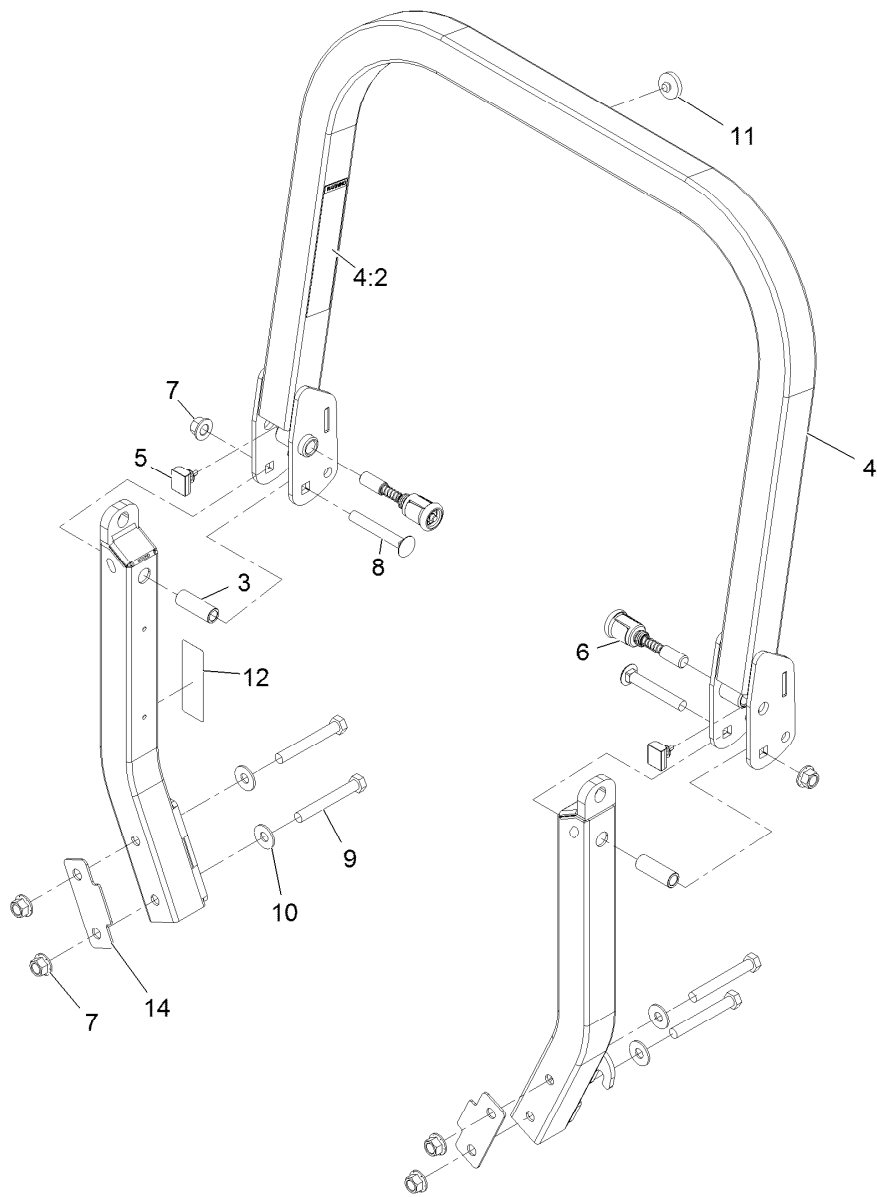




## Main Frame Assembly

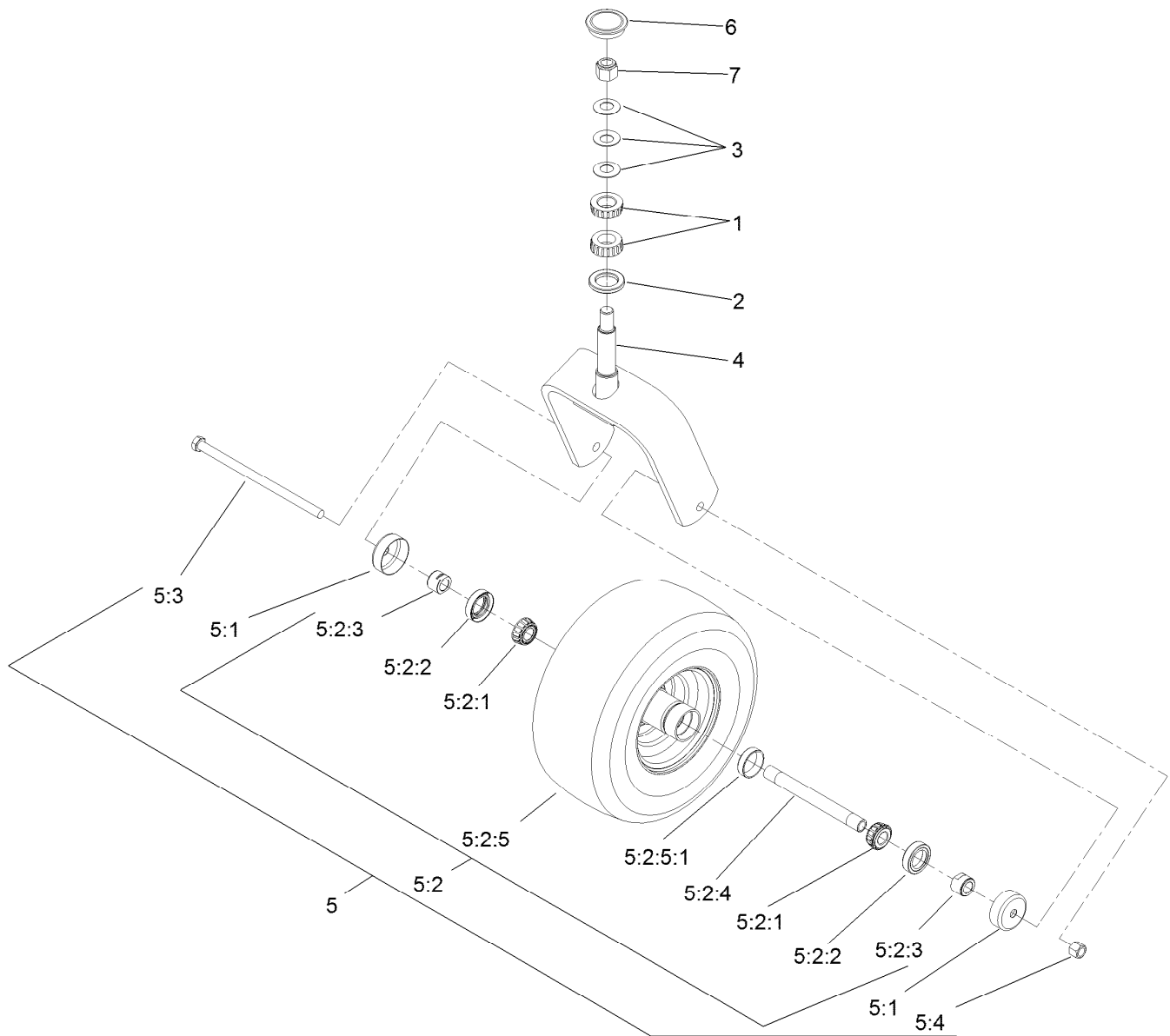
Ref.	Part Number	Qty.	Description	Ref.	Part Number	Qty.	Description
1	116-9720	1	Mainframe ASM	15	116-0580	1	LH Motion Control Cover ASM
1:2	103-2076	2	Decal-Caution	15:2	109-7232	1	Decal-Motion Control
1:3	116-3303	1	Decal-Slope	16	126-2067-03	1	Guard-Muffler
1:4	116-0205	2	Decal-Belt Drive	17	103-3113	1	Decal, Lazer Model
1:5	116-4858	1	Decal-Spark Arrester	18	32144-10	4	Screw-HWH 1/4-20 X .62
2	109-8863-03	1	Plate,Rear Guard	19	116-0170	1	LH Hydro Guard ASM
3	116-8898-01	1	Floorpan	19:2	116-0157	1	Decal-Hydro Oil
4	1-513658	2	Bumper	20	116-0171	1	RH Hydro Guard ASM
5	116-0230	1	ASM,ROPS Service Exmark	20:2	116-0157	1	Decal-Hydro Oil
6	1-811010	2	Plug	21	109-9057	1	Guard-Hydro, Rear LH
7		2	Caster Wheel ASM ●	22	109-9058	1	Guard-Hydro, Rear RH
9	116-0180	1	LH Bumper ASM	30	103-2883	1	Decal, Exmark Logo
9:2	103-2076	1	Decal-Caution	33	1-803035	2	Rivet 3/16 X 1/4
10	116-0057-03	1	Bumper-RH	34	116-2362	1	Deflector-Air Flow
11	104-8301	11	Nut-Nyloc 3/8-16 Flg	66	116-3884	2	Decal-S-Series
12	3231-22	7	Bolt-Carriage 3/8-16 X 1	69	107-3154	2	Nut-Push 3/8-16
13	3231-29	4	Bolt-Carriage 3/8-16 X 1 3/4	75	126-2133-03	3	Weight-Plate, 6 Lb
14	116-5899	1	RH Motion Control Cover ASM	76	116-1654	1	Decal-Fuel Fill
14:2	109-7232	1	Decal-Motion Control	77	1-543508	4	Cup-Bearing Tapered Roller
14:3	116-5944	1	Decal-Park Brake				

● Not serviced separately



## Roll-over Protection System Assembly No. 116-0230

<i>Ref.</i>	<i>Part Number</i>	<i>Qty.</i>	<i>Description</i>
3	109-6653	2	Spacer
4	116-0019	1	Upper ROPS ASM
4:2	107-2102	1	Decal-Warning, Folding ROPS
5	109-5337	2	Bumper-ROPS
6	116-0104	2	Pin-Spring
7	99-5107	6	Nut-Lock 1/2-13
8	3233-10	2	Bolt-Carriage 1/2-13 X 3 1/2
9	325-35	4	Screw-HH
10	109-9505	4	Washer, Spring Disc 1/2
11	109-9233	1	Bumper-Push-In, Rubber
12	116-0090	1	Decal-Caution
14	116-0960	2	Spacer

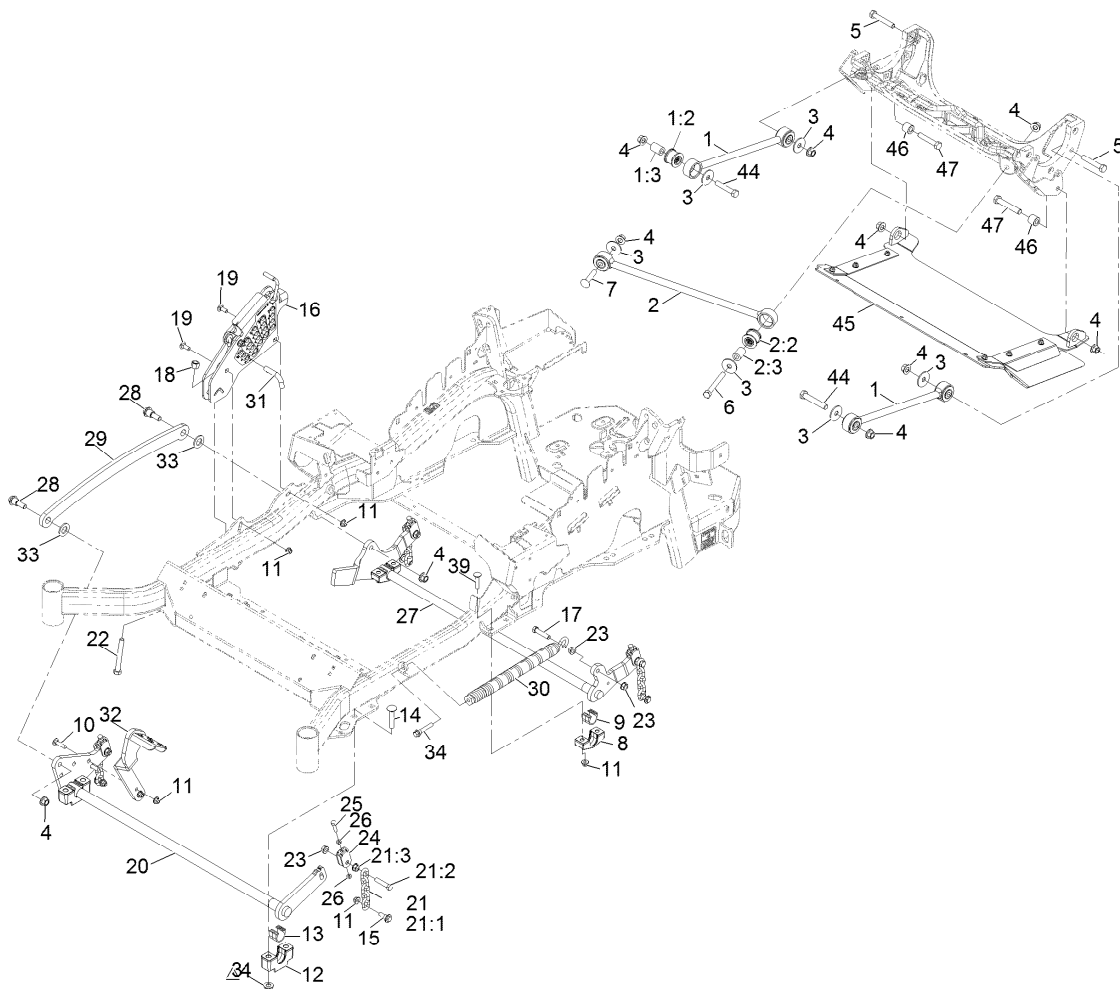


## Caster Wheel and Fork Assembly

Ref.	Part Number	Qty.	Description	Ref.	Part Number	Qty.	Description
1	1-543509	2	Bearing-Roller, Tapered	5:2:3	103-3051	2	Spacer-Nut ■
2	116-5647	1	Seal-Grease	5:2:4	103-5156	1	Axle-Caster
3	1-633508	3	Washer-Bellville	5:2:5		1	Wheel And Tire ASM ●
4	116-6707-01	1	Caster	5:2:5:1	1-633584	1	Bearing-Cup
5	109-9127	1	Wheel And Tire ASM	5:3	325-39	1	Screw-HH
5:1	103-2768	2	Guard-Seal	5:4	3296-23	1	Nut-Lock, NI
5:2		1	Wheel And Tire ASM ●	6	103-4882	1	Cap-Grease
5:2:1	1-633585	2	Bearing-Cone, Taper	7	3296-51	1	Nut-Lock, NI
5:2:2	103-0063	2	Seal-Caster				

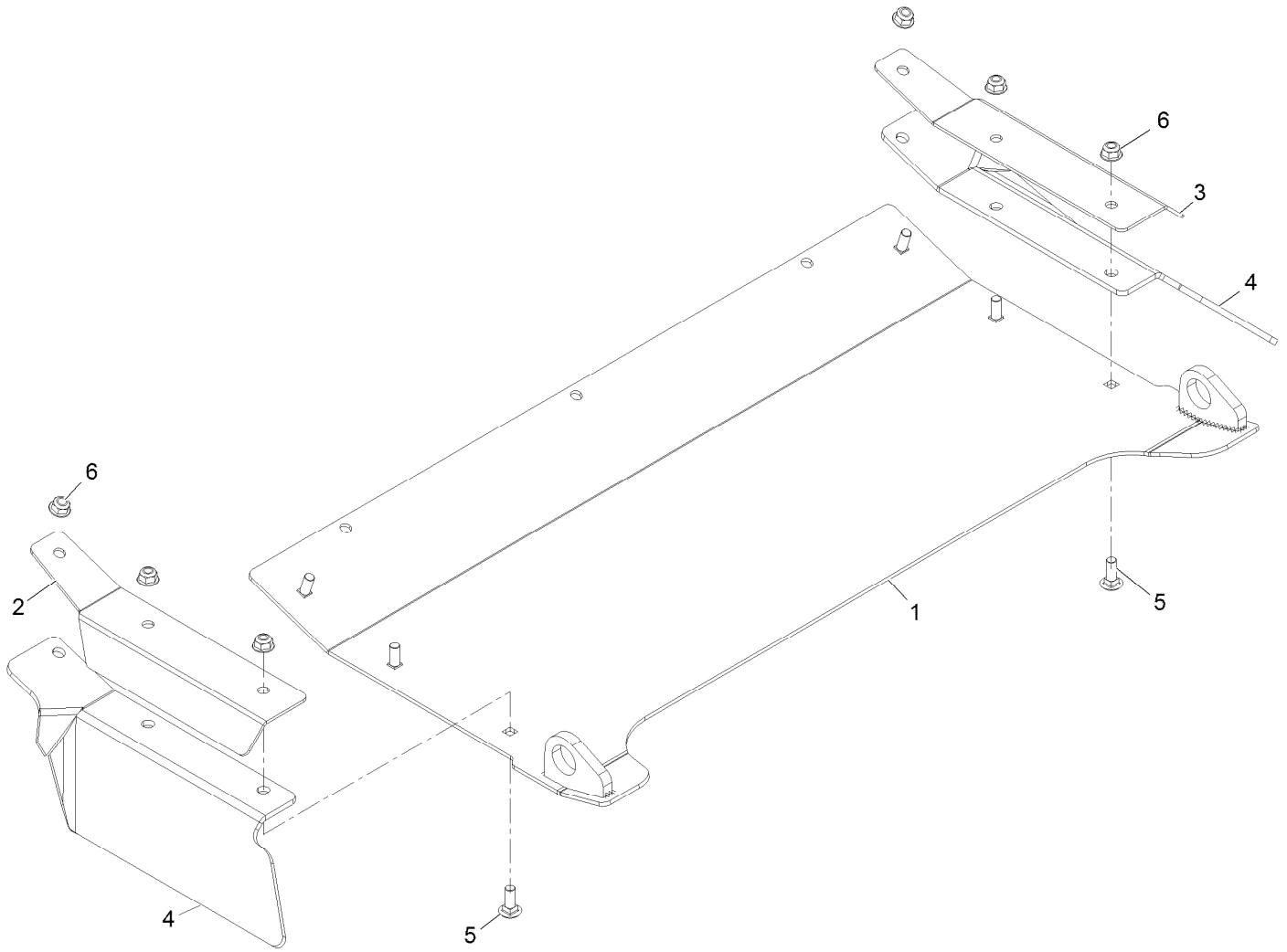
● Not serviced separately

■ Use Pro-Lock, Nut Type (P/N 1-840022, .5ml tube) on threads.



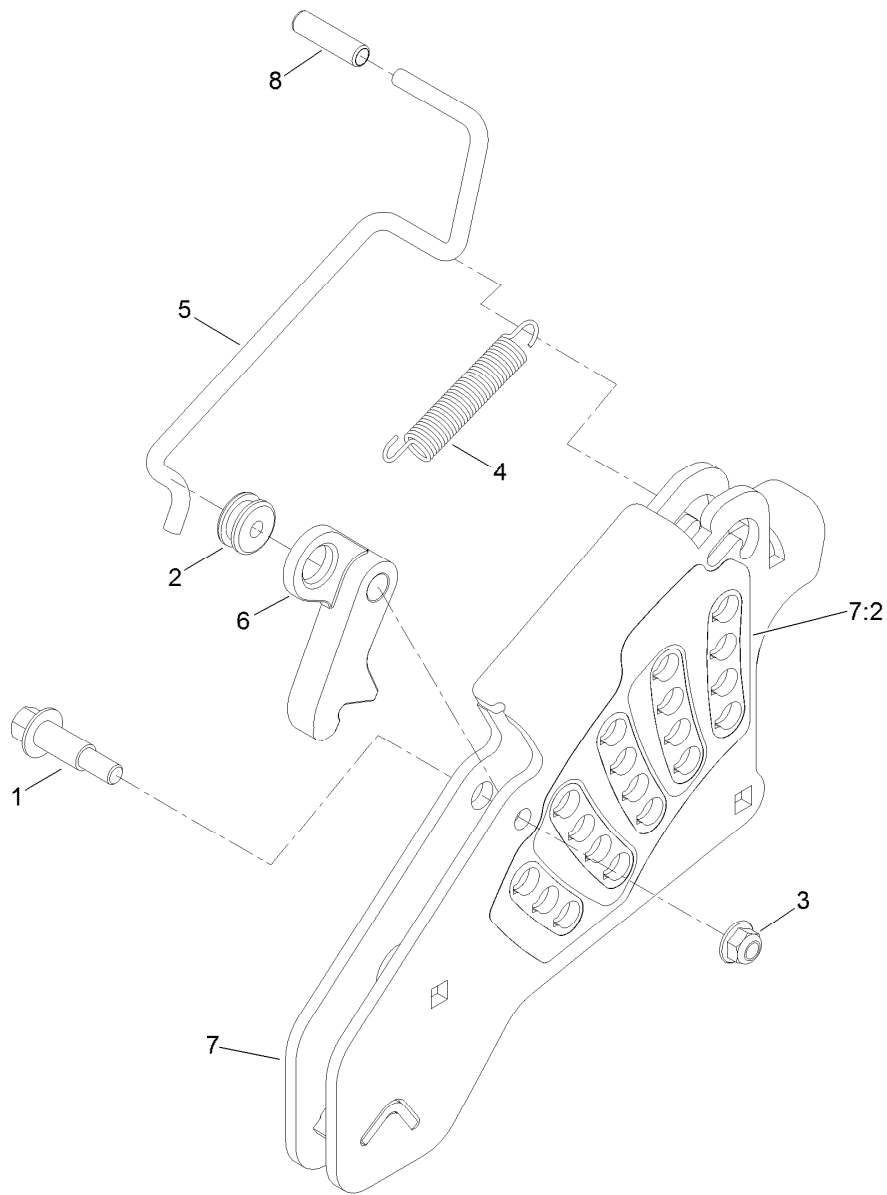
## Deck Lift Assembly

Ref.	Part Number	Qty.	Description	Ref.	Part Number	Qty.	Description
1	109-7952	2	Deck Strut ASM	18	3296-23	1	Nut-Nyloc 1/2-13
1:2	109-5009	2	Bushing-Suspension, Rubber	19	3231-2	2	Bolt-Carriage 3/8-16 X 1
1:3	109-5010	2	Spacer	20	126-2475-03	1	Decklift-Front
2	109-5013	1	Panhard Rod ASM	21	116-0756	4	Deck Lift Chain ASM
2:2	109-5009	2	Bushing-Suspension, Rubber	21:1	1-633447	1	Chain-Lift, Deck
2:3	109-5010	2	Spacer	21:2	109-9065	1	Screw-HH 7/16-14 X 2
3	86-1990	6	Washer	21:3	32128-37	1	Nut-Whizlock 7/16-14
4	99-5107	14	Nut-Lock 1/2-13	22	116-0559	1	Bolt-HH 1/2-13 X 4 Tap
5	325-12	2	Screw-HH 1/2-13 X 3	23	32128-37	6	Nut-Whizlock 7/16-14
6	325-17	1	Screw-HH 1/2-13 X 4	24	109-9066	4	Yoke-Adjust, Deck
7	3233-34	1	Bolt-Carriage 1/2-13 X 2 1/2	25	322-47	4	Screw-HH 5/16-18 X 1 1/4
8	116-0818-03	2	Support-Cross Shaft, Rear Bearing	26	3218-2	8	Nut-Jam 5/16-18
9	109-7173	2	Bearing-Cross Shaft, Rear	27	116-0459-03	1	Lift-Deck, Rear
10	3231-4	2	Bolt-Carriage 3/8-16 X 1 1/2	28	116-0780	2	Screw-Shoulder HHF 1/2-13 X 1.12
11	104-8301	12	Nut-Nyloc 3/8-16 Flg	29	116-0797-03	1	Link-Lift, Deck
12	109-9409	2	Support-Cross Shaft, Front Bearing	30	116-0000	1	Extension Spring ASM
13	109-9410	2	Bearing-Cross Shaft, Front	31	116-5584	1	Pin-HOC
14	116-1700	4	Bolt-Carriage 1/2-13 X 2 1/2 Spl Neck	32	116-1919-01	1	Lever-Foot
15	109-9840	4	Screw-Hex Flange 3/8-16 X .80	33	3256-28	2	Washer-3/4 Sae
16	109-7438	1	HOC ASM	34	92-7674	1	Screw-Shcs 3/8-16 X 2.212
17	109-9065	1	Screw-HH 7/16-14 X 2	39	3231-5	4	Bolt-Carriage 3/8-16 X 1 3/4
				44	325-11	2	Screw-HH 1/2-13 X 2 3/4
				45	125-9377	1	Discharge Tunnel ASM 72
				46	126-1705	2	Bushing-Sleeve
				47	325-9	2	Screw-HH 1/2-13 X 2 1/4



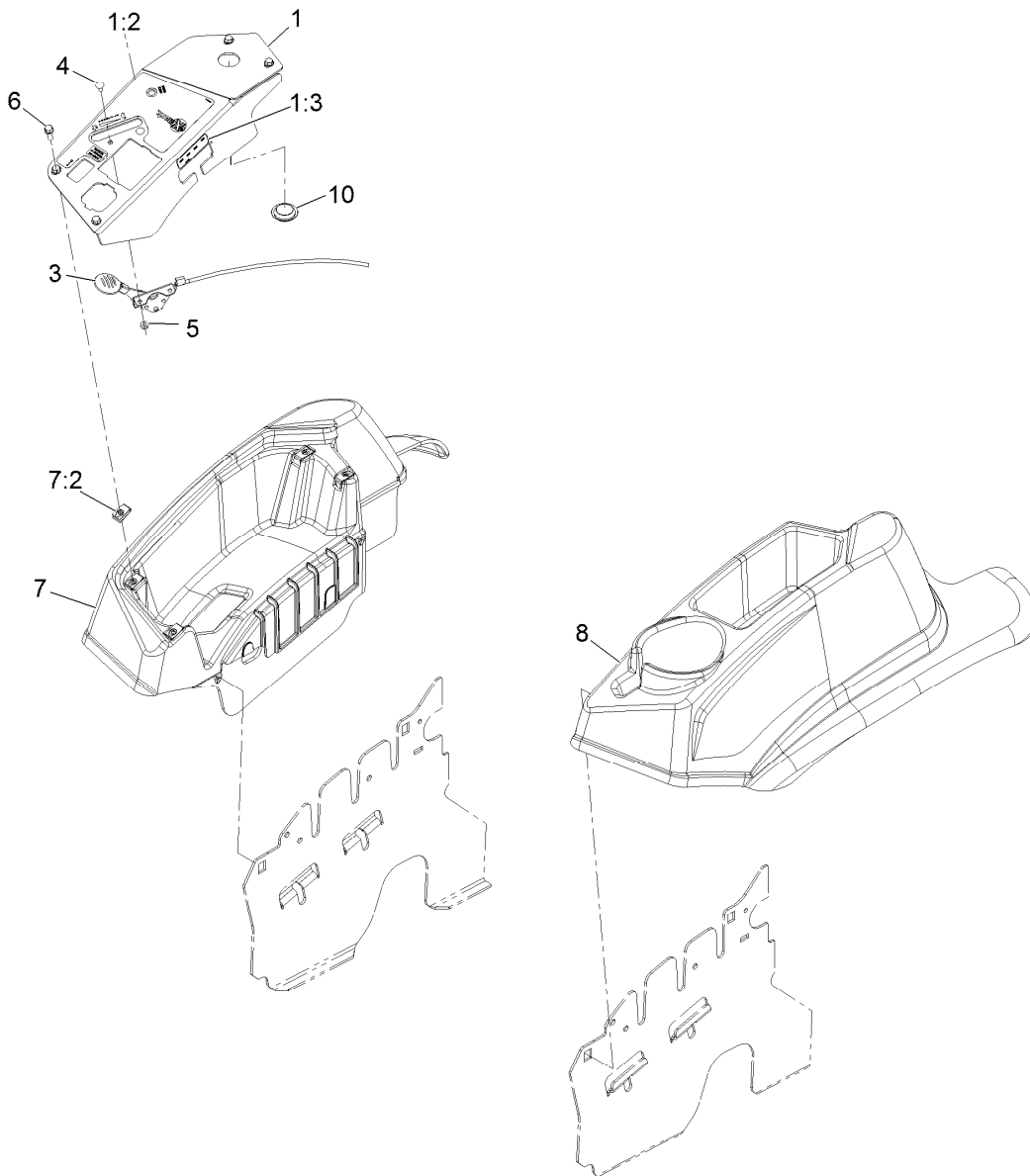
## Discharge Tunnel Assembly No. 125-9377

<i>Ref.</i>	<i>Part Number</i>	<i>Qty.</i>	<i>Description</i>
1	125-9378-03	1	Discharge Tunnel ASM [black]
2	125-9366-03	1	Bracket-Flap, LH
3	125-9367-03	1	Bracket-Flap, RH
4	125-9368	2	Flap-Rubber
5	3230-16	6	Bolt-Carriage 5/16-18 X 7/8
6	104-8300	6	Nut-Nyloc 5/16-18 Flg



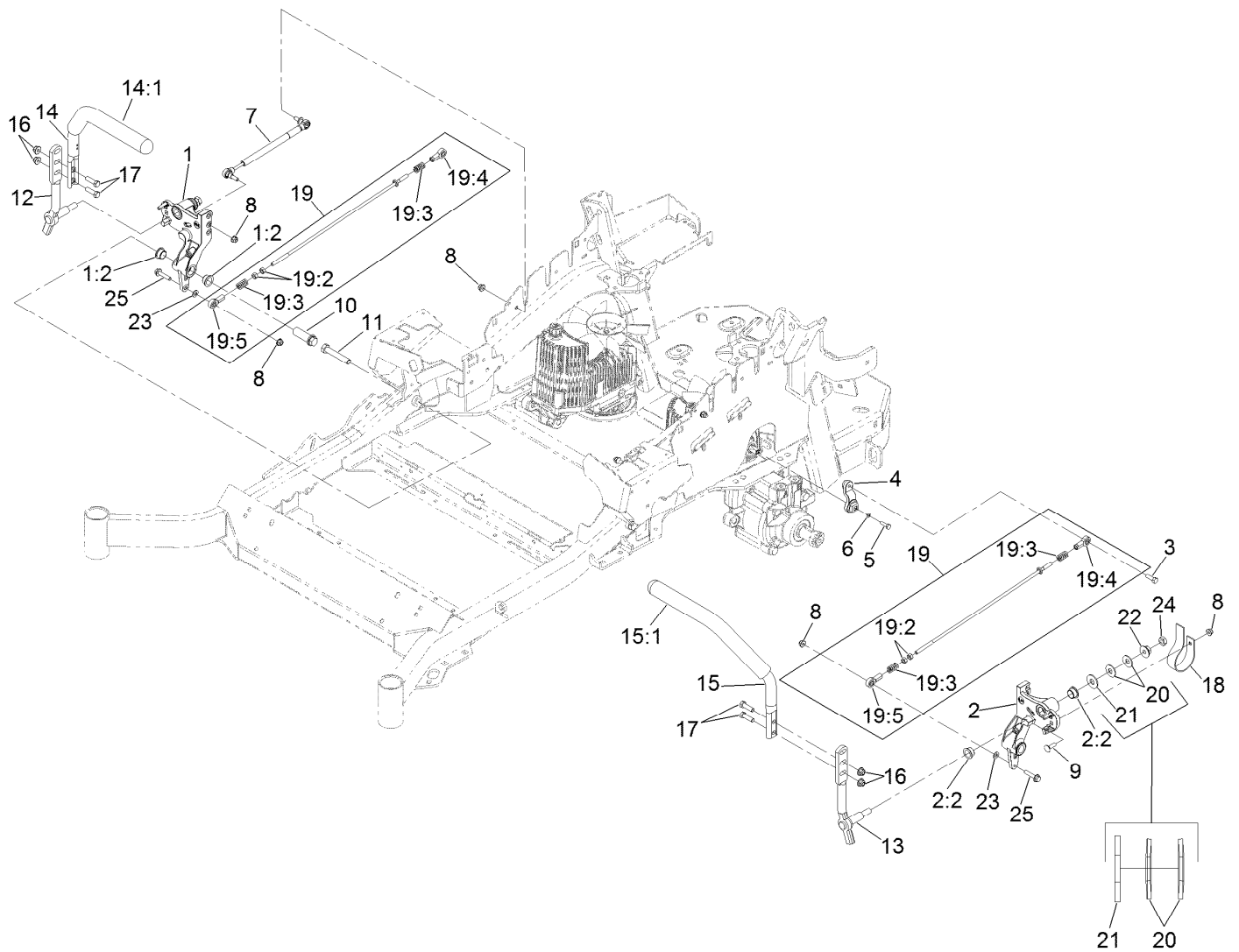
## Height-of-Cut Assembly No. 109-7438

<i>Ref.</i>	<i>Part Number</i>	<i>Qty.</i>	<i>Description</i>
1	62-1330	1	Bolt-Shoulder
2	109-7130	1	Grommet
3	104-8301	1	Nut-Flange, NI
4	109-7124	1	Spring-Extension
5	109-7128	1	Rod-Lock, Transport
6	116-0118	1	Pawl-Transport, HOC
7	109-7335	1	HOC Plate ASM
7:2	116-0752	1	Decal-HOC
8	109-8250	1	Grip-Lever



## Controls Assembly

<b>Ref.</b>	<b>Part Number</b>	<b>Qty.</b>	<b>Description</b>
1	116-2845	1	ASM,Control Panel W/Decal
1:2	116-2844	1	Decal,Control Panel Efi
1:3	109-7330	1	Decal-Fuse
3	116-0969	1	ASM,Throttle Cable
4	1-807513	2	Bolt-Carriage #10-24 X 1/2
5	3296-2	2	Nut-Nyloc #10-24
6	32105-15	4	Screw-Machine 1/4-20 X 3/4
7	116-1278	1	Console,RH As ASM
7:2	107069	4	Nut-Retainer-Panel 1/4-20
8	109-9457	1	Console, LH As
10	116-1875	1	Plug,Plastic

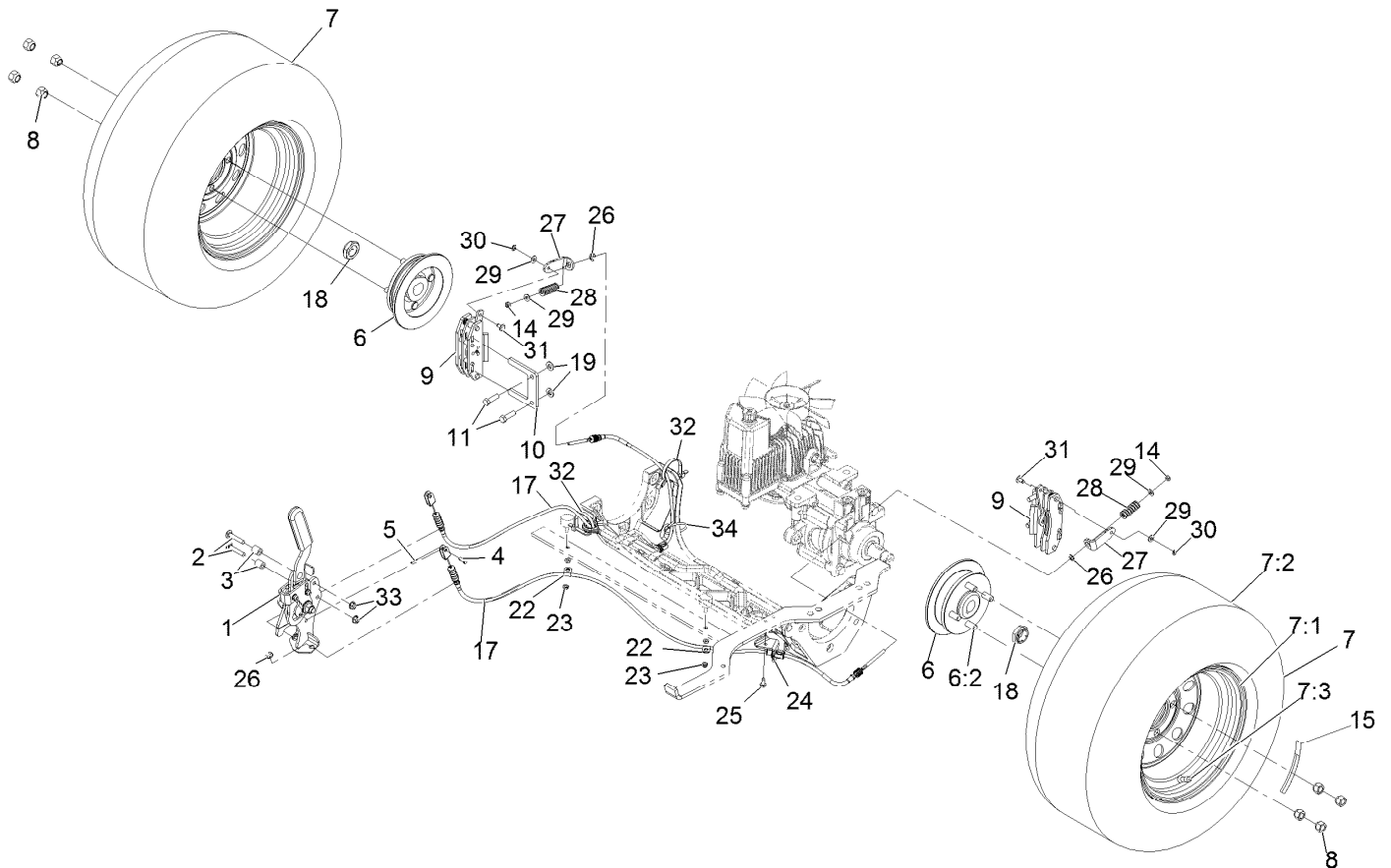


## Motion Control Assembly

Ref.	Part Number	Qty.	Description	Ref.	Part Number	Qty.	Description
1	116-0880	1	RH Motion Control And Bushing ASM	14	109-6589	1	RH Steering Handle ASM
1:2	109-8054	4	Bushing-Flange	14:1	109-5668	1	Grip-Control, Lever
2	116-0881	1	LH Motion Control And Bushing ASM	15	109-6590	1	LH Steering Handle ASM
2:2	109-8054	4	Bushing-Flange	15:1	109-5668	1	Grip-Control, Lever
3	116-0648	2	Screw-HH, Thread Locking ●	16	104-8301	4	Nut-Flange, NI
4	109-4581	2	Arm-Control, Pump	17	323-7	4	Screw-HH
5	9080046	2	Screw-HH ●	18	109-5575	2	Spring-Leaf
6	1-303435	2	Washer-Spring	19	109-8107	2	Pump Linkage Rear ASM
7	116-0027	2	Damper-Control, Motion	19:2	3219-2	2	Nut-Hex
8	104-8300	8	Nut-Flange, NI	19:3	1-323245	2	Spring-Compression
9	3230-2	2	Bolt-CARR	19:4	1-633152	1	Balljoint-LH
10	109-5891	2	Hub-Threaded	19:5	1-543017	1	Balljoint-RH
11	325-12	2	Screw-HH	20	109-9505	4	Washer-Spring
12	116-0039	1	Lever-Control Motion, RH	21	3256-6	2	Washer-Flat
13	116-0040	1	Lever-Control Motion, LH	22	32128-56	2	Nut-HF
				23	3256-23	2	Washer-Flat
				24	3218-5	2	Nut-Jam
				25	115-1794	2	Screw-HHF

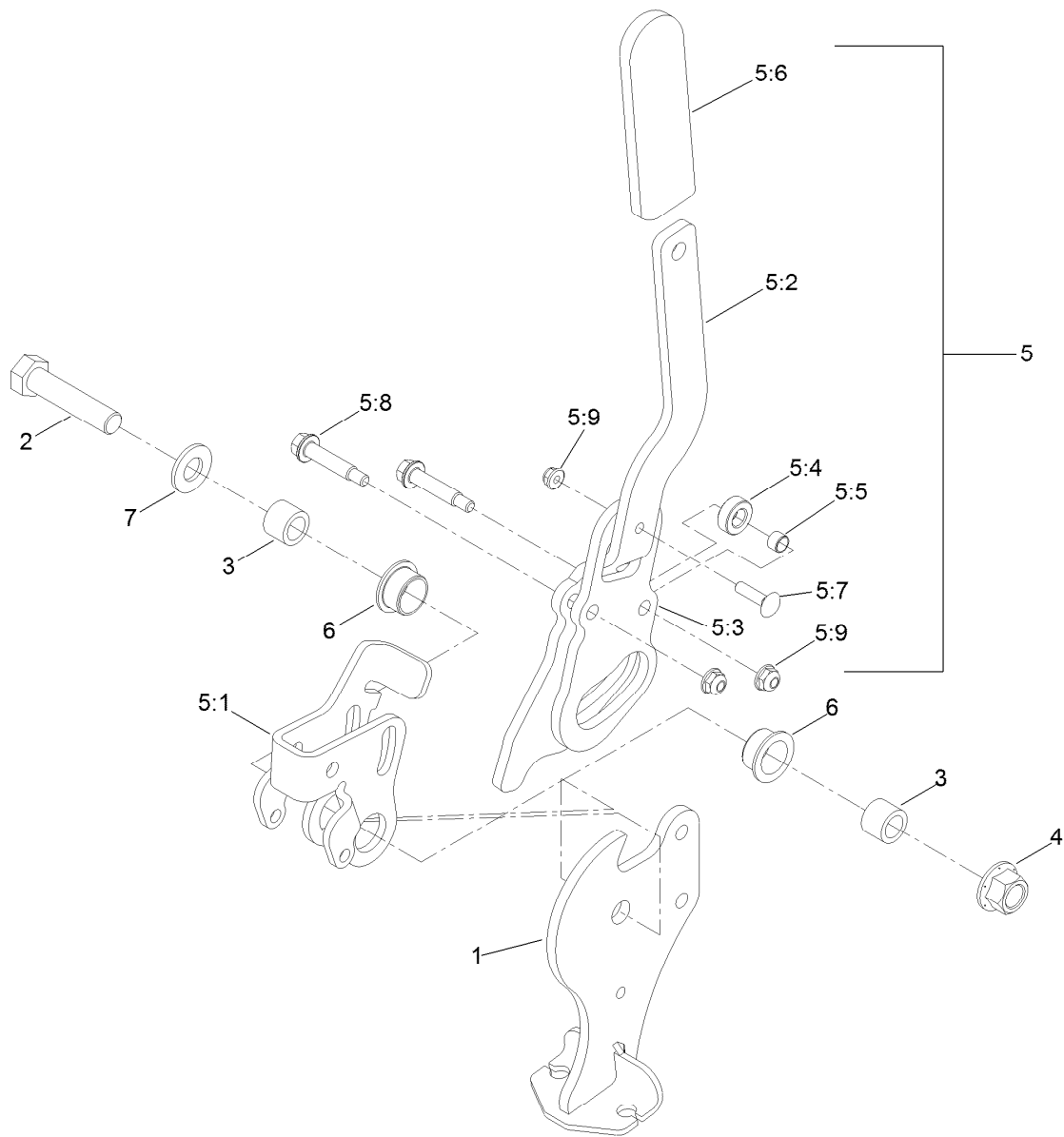
● Use Pro-Lock, Nut Type (P/N 1-840022, .5ml tube) on threads.





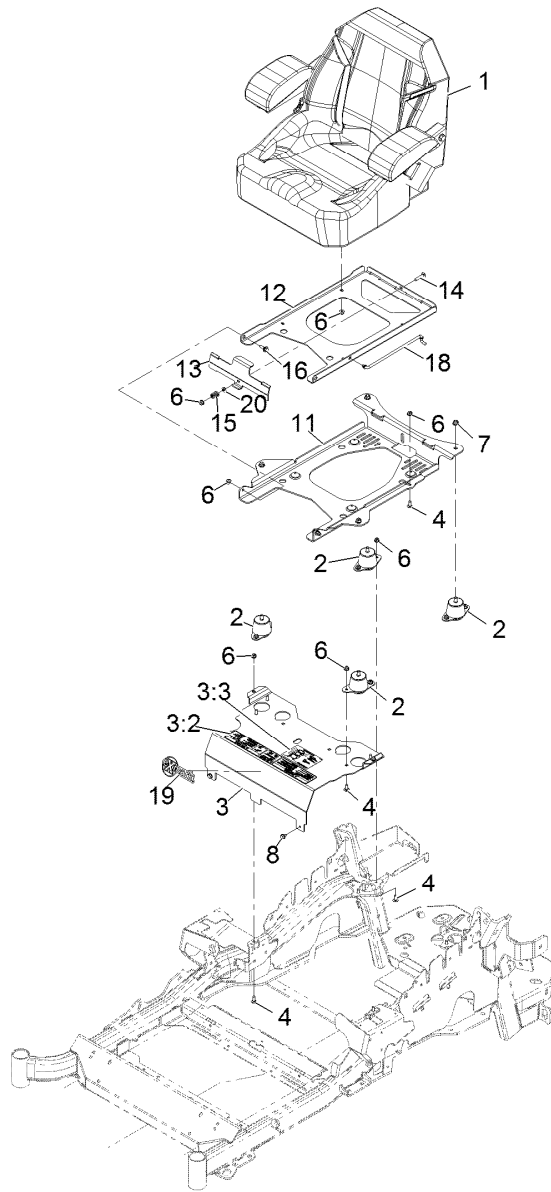
## Rear Wheel and Park Brake Assembly

Ref.	Part Number	Qty.	Description	Ref.	Part Number	Qty.	Description
1	116-7551	1	Brake Handle ASM	15	126-2055	2	Decal-Torque Wheel Lug-Hub
2	116-0629	2	Screw-Carriage 5/16-18 X 1 3/4 Short	17	116-8963	2	Cable-Brake
3	82-6840	2	Spacer	18	116-1399	2	Locknut
4	60-1730	2	Pin-Clevis	19	3256-24	4	Washer-3/8 Sae
5	3272-1	2	Pin-Cotter 1/16 X 1/2	22	88-7970	2	Clip
6	116-1746	2	Wheel Hub ASM	23	3296-56	2	Nut-Nyloc 1/4-20 Thin
6:2	116-1696	4	Stud-Wheel	24	116-6397	1	Bracket-Cable
7	109-8972	2	Wheel And Tire ASM	25	32144-10	1	Screw-HWH 1/4-20 X .62
7:1	1-633993	1	Tire	26	32120-18	4	E-Ring
7:2	109-3156	1	Rim	27	116-6182	2	Bracket-Brake, L
7:3	232-27	1	Stem-Valve	28	116-6347	2	Spring-Die
8	242-50	8	Nut-Lug 1/2-20	29	3256-22	4	Washer-1/4 Sae
9	109-2889	2	Caliper-Brake	30	32151-86	2	E-Ring
10	109-0958	2	Plate-Mount, Brake	31	116-6348	2	Pin-Brake
11	92-5727	4	Screw-HH 3/8-16 X 1 1/4 Patch Lock	32	3334-945	2	Tie-Cable
14	3296-13	2	Nut-Nyloc 1/4-28	33	104-8300	2	Nut-Nyloc 5/16-18 Flg
				34	116-0940	1	Tie-Cable



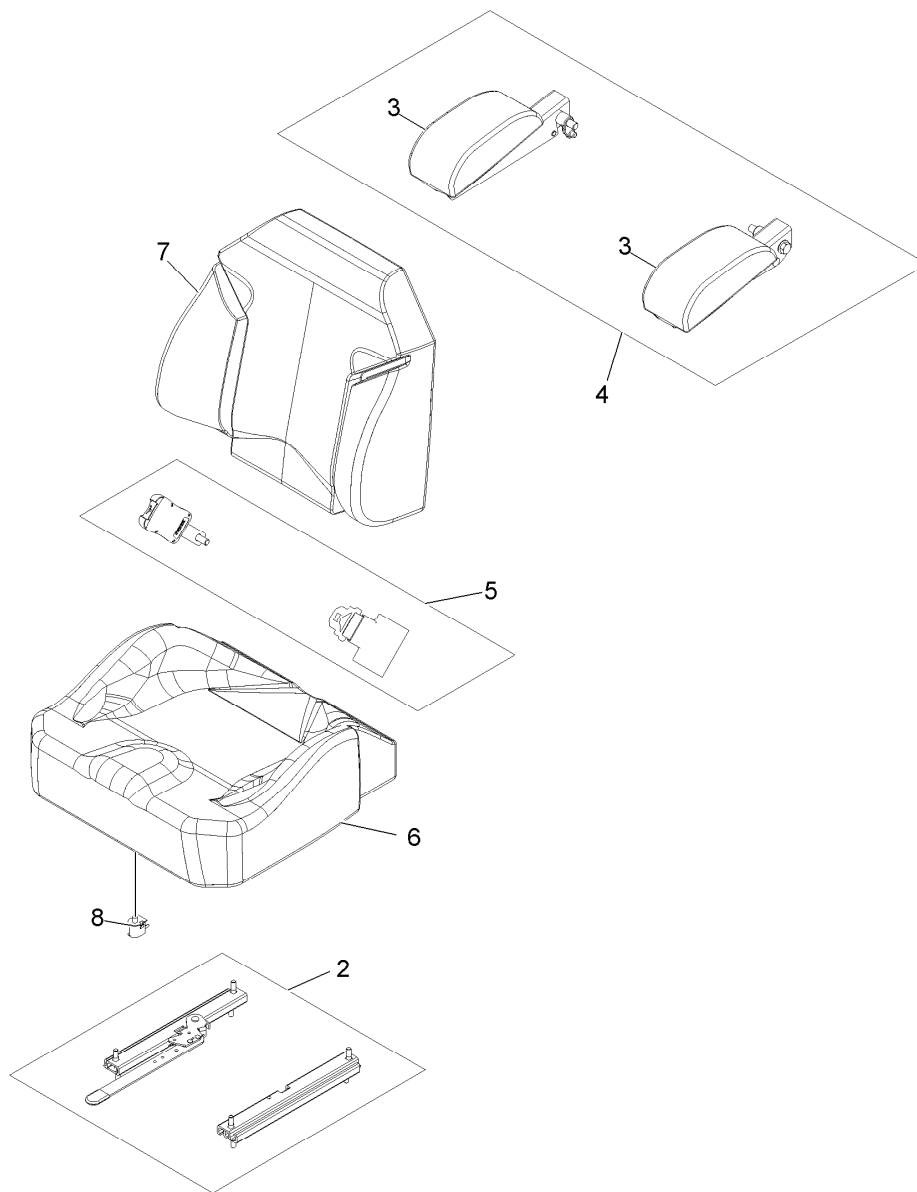
## Parking Brake Handle Assembly No. 116-7551

<i>Ref.</i>	<i>Part Number</i>	<i>Qty.</i>	<i>Description</i>	<i>Ref.</i>	<i>Part Number</i>	<i>Qty.</i>	<i>Description</i>
1	116-7263	1	Pivot-Brake	5:4	116-6846	1	Roller-Brake
2	325-9	1	Screw-HH 1/2-13 X 2 1/4	5:5	116-6852	1	Bearing-Sleeve
3	116-5384	2	Spacer	5:6	1-633268	1	Grip-Lever
4	99-5107	1	Nut-Lock 1/2-13	5:7	3229-2	1	Bolt-Carriage 1/4-20 X 1
5	116-6860	1	Handle ASM	5:8	116-6876	2	Screw-Shoulder
5:1	116-6856	1	Bellcrank-Brake	5:9	104-7201	3	Nut-Nyloc 1/4-20 Flg
5:2	116-6857	1	Handle-Brake	6	109-8054	2	Bushing-Flanged
5:3	116-6858	1	Plate-Handle	7	3256-26	1	Washer-1/2 Sae



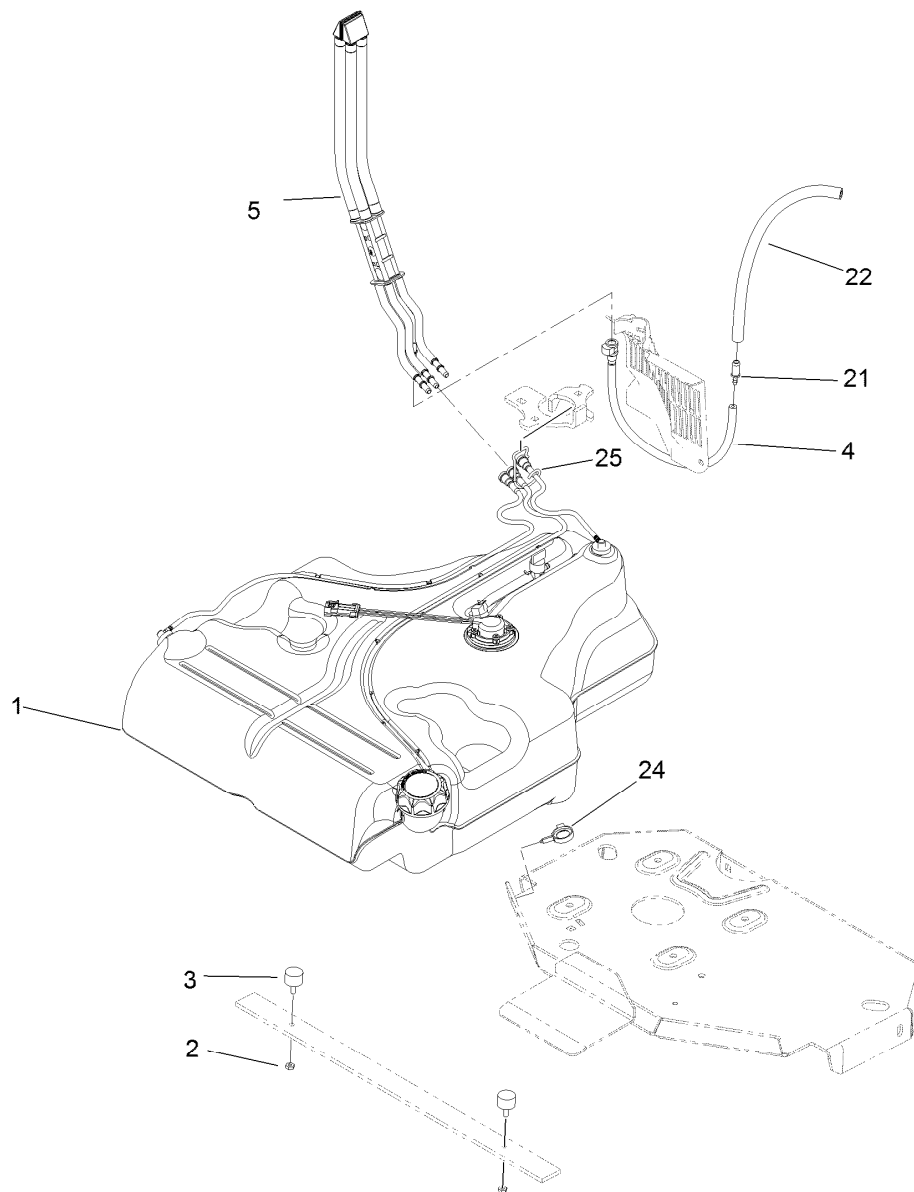
## Seat Assembly

<i>Ref.</i>	<i>Part Number</i>	<i>Qty.</i>	<i>Description</i>	<i>Ref.</i>	<i>Part Number</i>	<i>Qty.</i>	<i>Description</i>
1	116-4474	1	Seat,Exmark Standard Service	11	116-3860-03	1	Plate-Tilt, Seat Support
2	109-9034	4	Isolator-Seat	12	116-3859-03	1	Plate-Seat, Frame
3	116-2323	1	Mount-Seat	13	109-9881-03	1	Plate-Latch, Seat
3:2	109-7069	1	Decal-Console	14	3230-4	1	Bolt-Carriage 5/16-18 X 1 1/2
3:3	116-0211	1	Decal-Service Aid	15	107-3017	1	Spring-Compression
4	3230-23	11	Bolt-Carriage 5/16-18 X 3/4 Short Neck	16	116-1297	2	Screw-Shoulder
6	104-8300	18	Nut-Nyloc 5/16-18 Flg	18	116-0070	1	Rod-Prop
7	104-8301	4	Nut-Nyloc 3/8-16 Flg	19	103-2883	1	Decal, Exmark Logo
8	9266934	2	Screw-HWH 5/16 X 1/2 Tf	20	3256-23	1	Washer-5/16 Sae



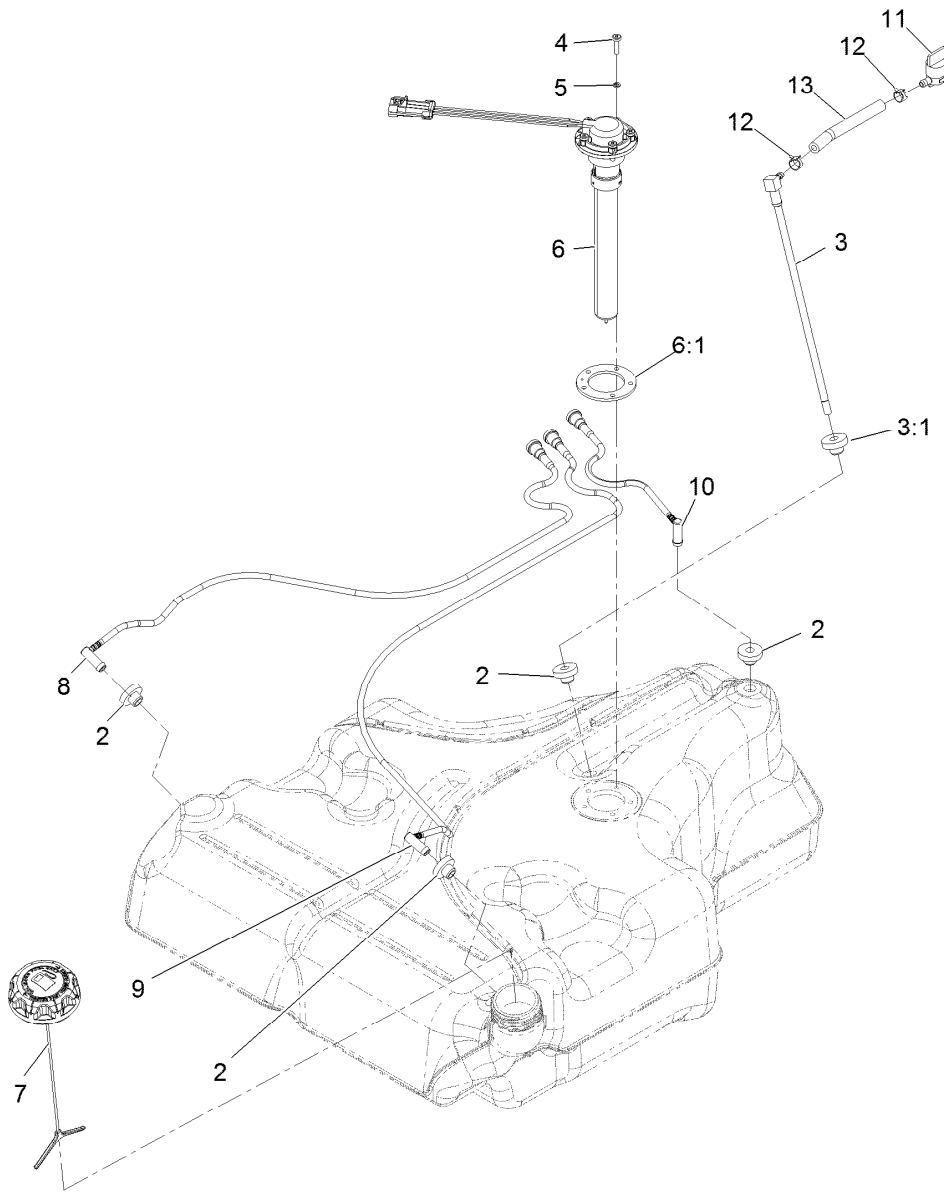
## Seat W/Tracks Assembly No. 116-4474

<i>Ref.</i>	<i>Part Number</i>	<i>Qty.</i>	<i>Description</i>
2	109-9801	1	Seat Track Set
3	109-9802	1	Arm Rest Pad Set
4	109-9803	1	Arm Rest Set
5	109-9805	1	Seat Belt Kit
6	116-4925	1	Cover,Cushion
7	116-4926	1	Cover,Back
8	82-2190	1	Switch



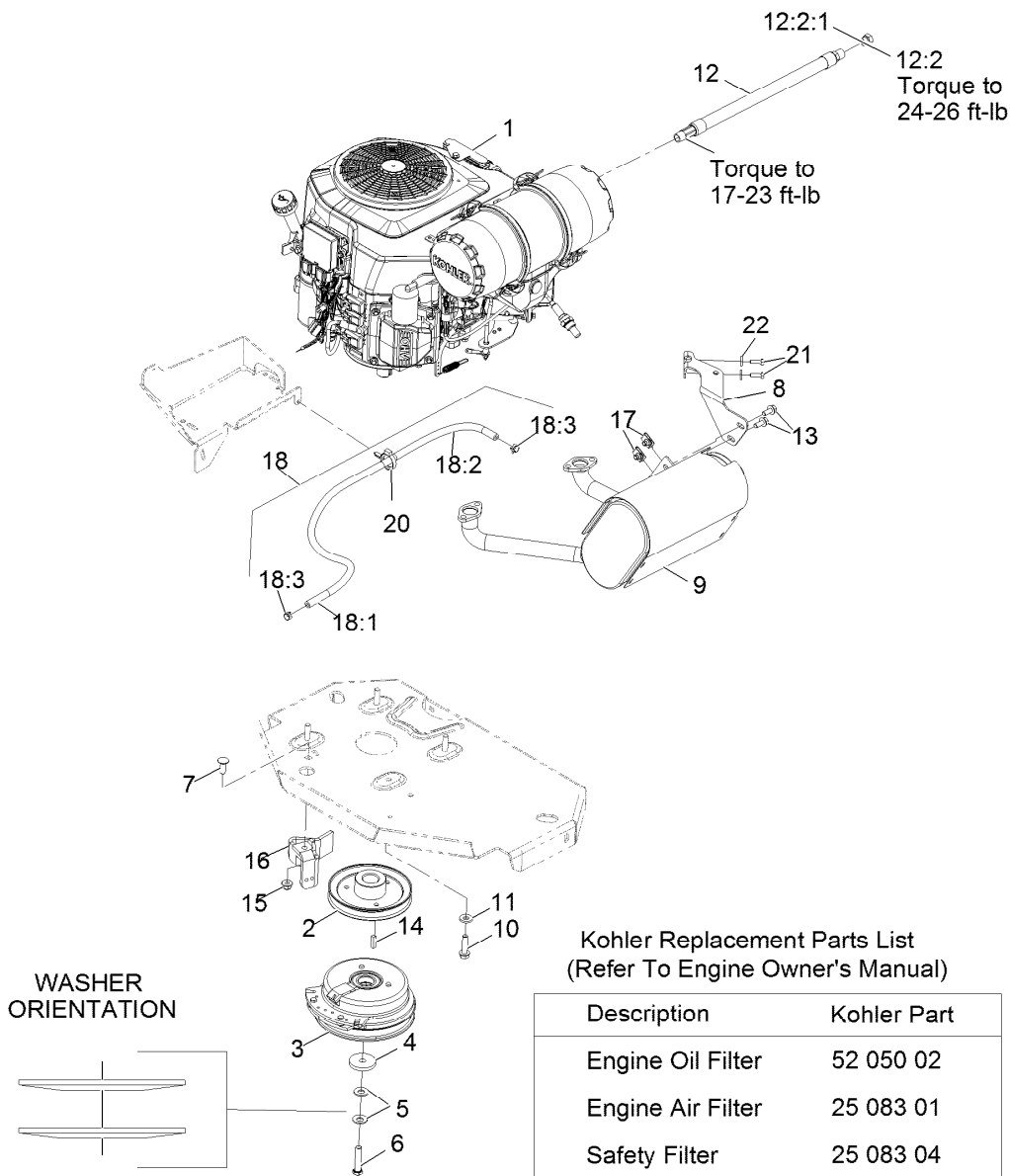
## Fuel Tank Mounting Assembly

Ref.	Part Number	Qty.	Description
1	116-3979	1	Fuel Tank ASM
2	3218-1	2	Nut-Jam
3	116-6380	2	Bumper-Rubber (W/ Stud)
4	116-3977	1	Hose ASM
5	109-9491	1	Fuel Manifold Vent ASM
21	98-2952	1	Fitting-Straight
22	116-5087	1	Hose-Fuel
24	105-1853	1	Clamp-Hose
25	116-6005	1	Retainer-Vapor Line



## Fuel Tank Assembly No. 116-3979

Ref.	Part Number	Qty.	Description
2	46-6560	4	Bushing
3	116-2459	1	Fuel Line Kit (With Grommet)
3:1	46-6560	1	Bushing
4	9107944	5	Screw-Pan 10-24 X 3/4
5	3253-17	5	Washer-Lock 3/16
6	116-0003	1	Sender-Fuel Level
6:1	109-9620	1	Gasket-Sender, Fuel
7	126-1789	1	Cap-Fuel, Ratcheting
8	116-2460	1	RH Vent Line Kit (With Grommet)
9	116-2461	1	LH Vent Line Kit (With Grommet)
10	116-2462	1	Rear Vent Line Kit (With Grommet)
11	1-603770	1	Valve-Fuel
12	2412-98	2	Clamp-Hose
13	109-0650	1	Hose-Fuel



## Engine Assembly

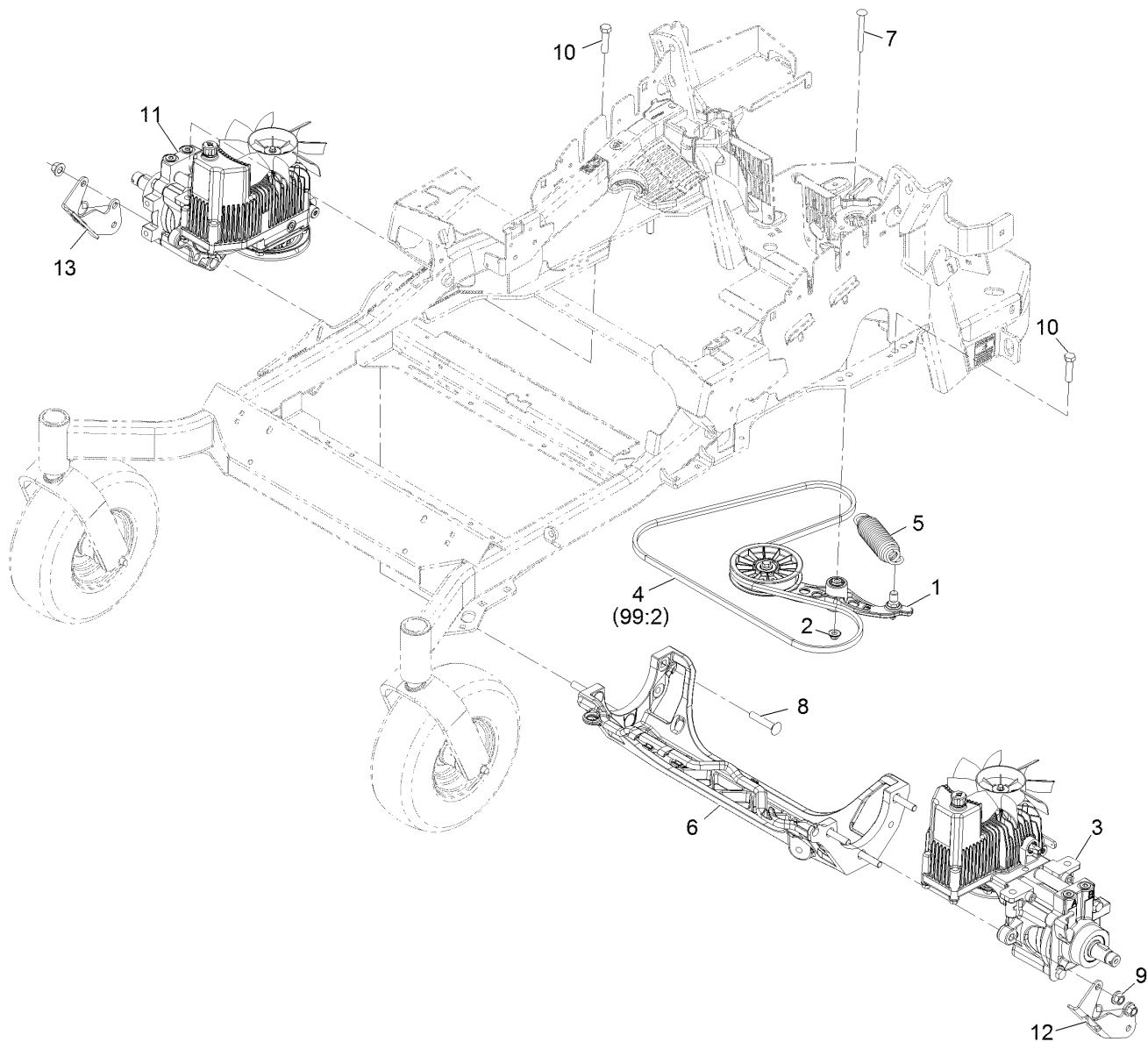
Ref.	Part Number	Qty.	Description
1		1	Engine-Kohler, Ps-Ecv749-3014 ●■
2	109-9905	1	Sheave
3	116-1620	1	Clutch Kit
4	109-6919	1	Washer-Clutch
5	1-603610	2	Washer-Spring Disc 7/16
6	109-9761	1	Screw-HH ▲
7	3231-22	1	Bolt-Carriage 3/8-16 X 1
8	116-4297	1	Muffler Bracket Kit
9	116-2038	1	Muffler
10	32144-102	4	Screw-HWH 3/8-16 X 1 1/2 Taptite
11	98-5975	4	Washer-Spring Disc 3/8
12	116-5316	1	Oil Drain Hose ASM
12:2	353-508	1	Plug-W/O-Ring

Ref.	Part Number	Qty.	Description
12:2:1	237-42	1	O-Ring
13	3234-5	2	Screw-HH Flg 5/16-18 X 3/4
14	1-807259	1	Key-Machine 1/4 X 1/4 X 1
15	104-8301	1	Nut-Nyloc 3/8-16 Flg
16	116-2612-01	1	Clutch-Anchor
17	94-2413	2	U-Nut
18	117-3893	1	Fuel Line ASM
18:1	109-0273	1	Hose-Fuel Line 38 1/4"
18:2	117-3892	1	Sleeve-Thermal
18:3	2412-98	2	Clamp-Hose
20	104-2490	1	Clamp-Hose
21	116-4295	2	Screw-HH M6-1 X 20Mm W/Patch
22	1-303435	2	Washer-Spring Disc 1/4

● Not serviced separately

▲ Use Pro-Lock, Nut Type (P/N 1-840022, .5ml tube) on threads.

■ Obtain parts from [www.kohlerplus.com](http://www.kohlerplus.com)



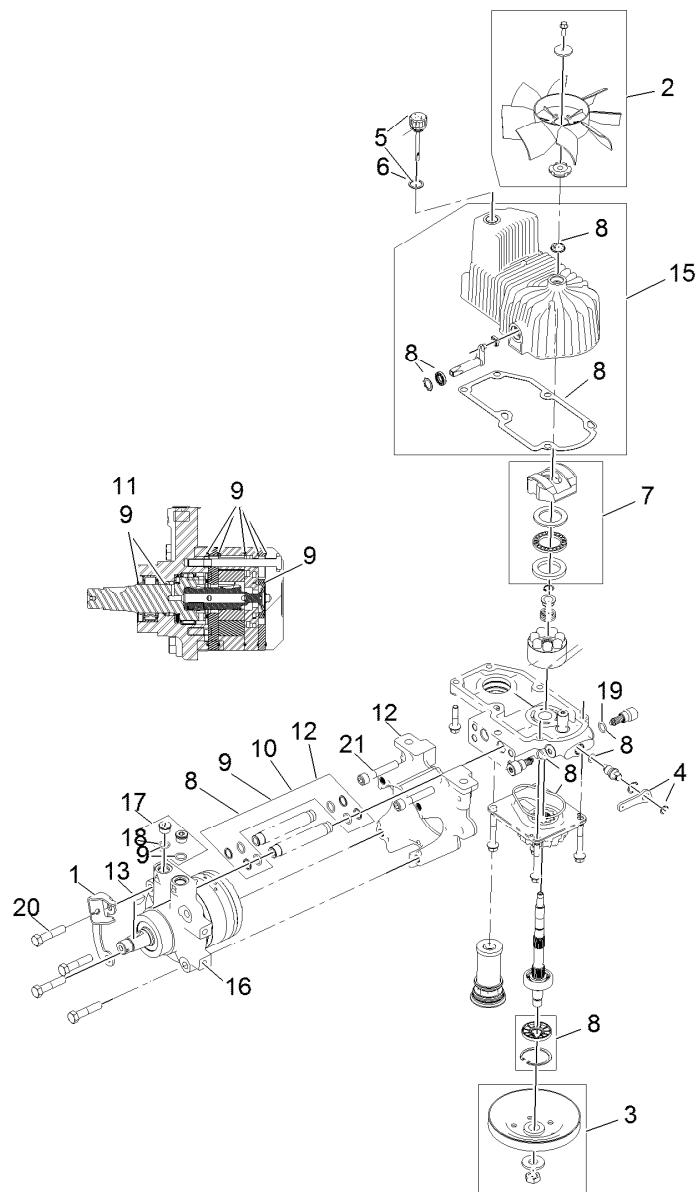
## Hydraulic Assembly

Ref.	Part Number	Qty.	Description
1	116-1255	1	Pump Idler ASM
2	109-6658	1	Nut-Nyloc 3/8-16 Flg
3	116-6413	1	LH Hydro ASM (12Cc W/Shock)
4	109-3388	1	Belt
5	116-6317	1	Spring-Extension
6	109-9375	1	Cradle-Hydro
7	116-1502	1	Bolt-Carriage Shoulder 3/8-16 X 3 1/2
8	126-0095	6	Screw-CARR
9	99-5107	6	Nut-Lock 1/2-13
10	325-8	4	Screw-HH 1/2-13 X 1 1/4
11	116-6414	1	RH Hydro ASM (12Cc W/Shock)

Ref.	Part Number	Qty.	Description
12	125-9369-03	1	Bracket-Discharge Mount, LH
13	125-9370-03	1	Bracket-Discharge Mount, RH
99	109-9828	1	Bottle-Oil, 32Oz Hydraulic ●
99	116-0164	1	Filter-Hydro ●
99	116-1218	1	Bottle,Oil 1 Gallon Hydraulic ●
99	116-3270	1	Kit, Hydro Service ●
99:1	109-9828	4	Bottle-Oil, 32Oz Hydraulic ●
99:2	109-3388	1	Belt
99:3	116-0164	2	Filter-Hydro ●

● Not illustrated

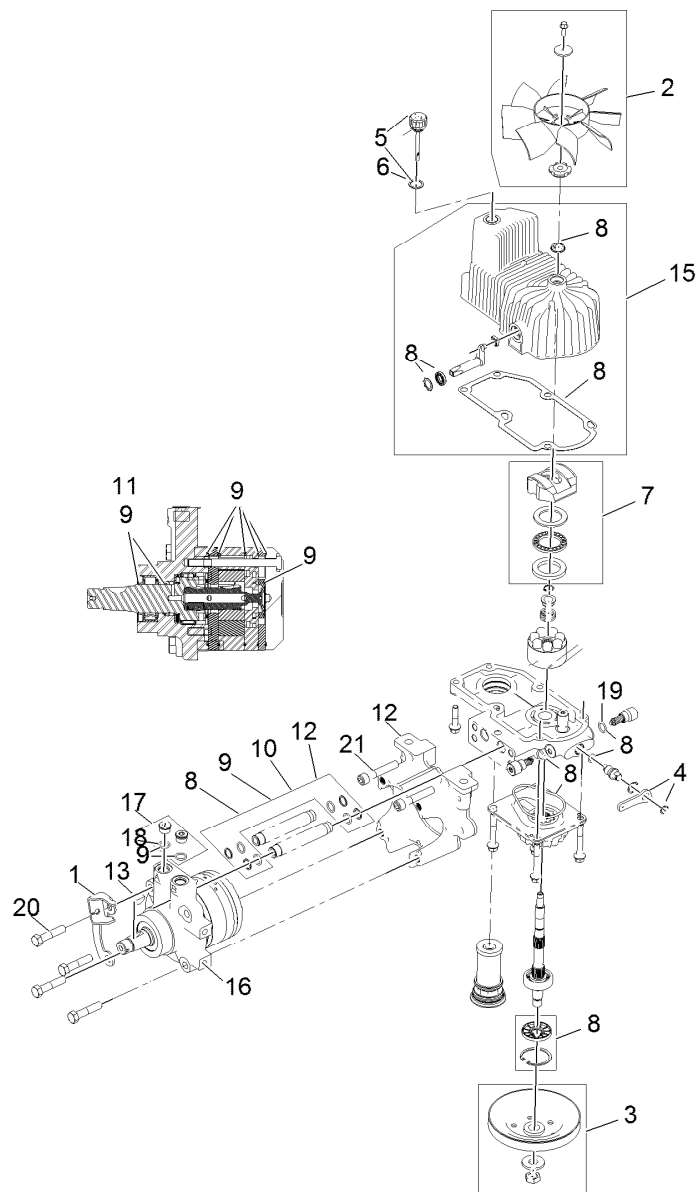




## LH Hydro Assembly No. 116-6413

Ref.	Part Number	Qty.	Description	Ref.	Part Number	Qty.	Description
1	116-6859	1	Bracket-Anchor, Cable	11	116-1371	1	Output Shaft Seal Kit
2	116-0233	1	Fan Kit	12	116-5469	1	Nose Cup-Uht
3	116-0234	1	Pulley Kit	13	3257-42	1	Key-Woodruff 5/16 X 1
4	116-0235	1	Handle-Bypass Valve, Hydro	15	116-3287	1	Housing-LH
5	116-0236	1	Dipstick-Hydro W/Gasket	16	116-8915	1	Motor-Hydraulic LH 240Cc
6	116-0237	1	Gasket-Dipstick, Hydro	17	116-7901	1	Magnetic Plugs Service Kit
7	116-1367	1	Swash Block Kit	18	76-1900	2	O-Ring
8	116-1368	1	Pump Seal Kit	19	116-8662	2	O-Ring-Check Valve
9	116-1369	1	Motor Seal Kit	20	116-8974	4	Screw-HH 1/2-20 X 2 1/4
10	116-1370	1	Tube Seal Kit	21	116-8975	2	Screw-HSH 1/2-20 X 2 3/4
				99	116-1373	1	Flow Test Kit ●

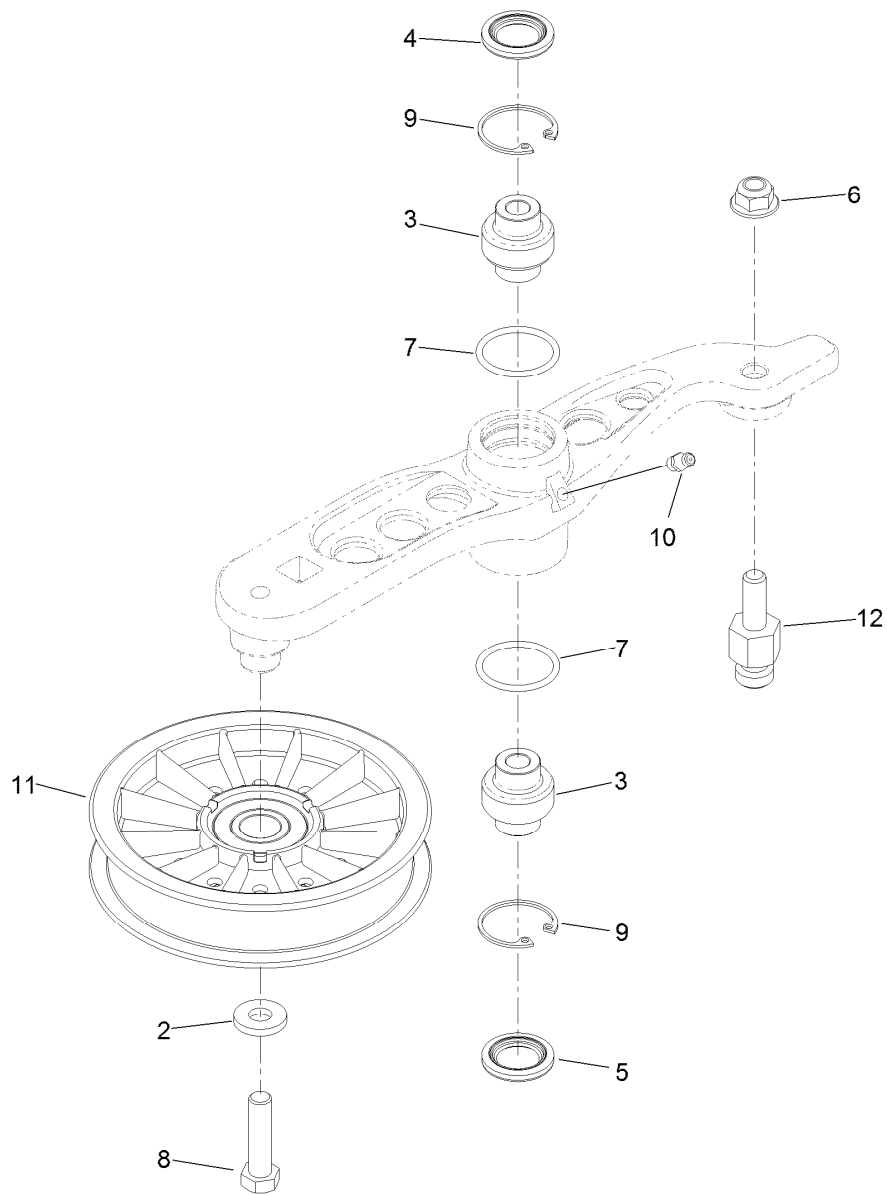
● Not illustrated



## RH Hydro Assembly No. 116-6414

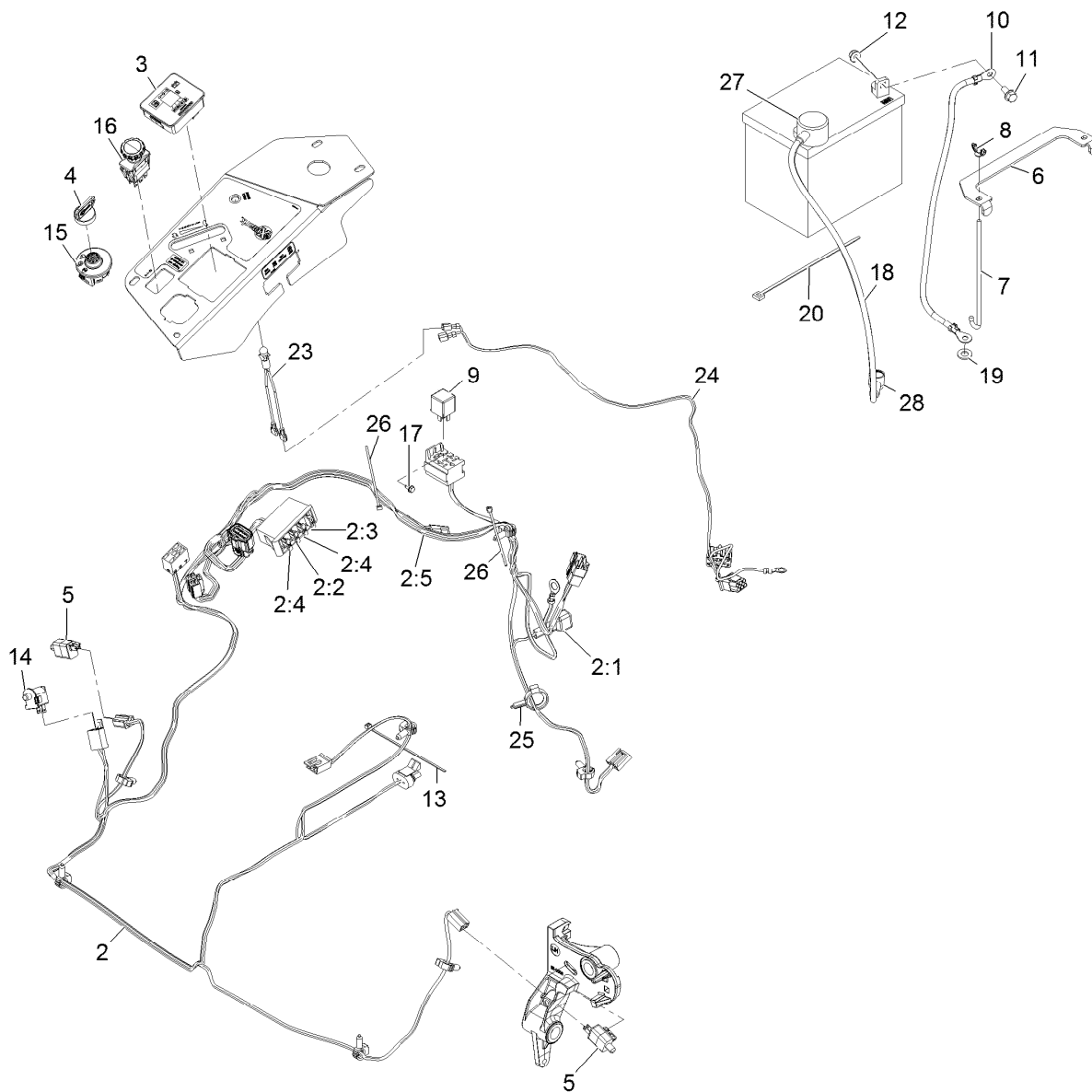
Ref.	Part Number	Qty.	Description	Ref.	Part Number	Qty.	Description
1	116-6859	1	Bracket-Anchor, Cable	11	116-1371	1	Output Shaft Seal Kit
2	116-0233	1	Fan Kit	12	116-5469	1	Nose Cup-Uht
3	116-0234	1	Pulley Kit	13	3257-42	1	Key-Woodruff 5/16 X 1
4	116-0235	1	Handle-Bypass Valve, Hydro	15	116-3288	1	Housing-RH
5	116-0236	1	Dipstick-Hydro W/Gasket	16	116-8916	1	Motor-Hydraulic RH 240Cc
6	116-0237	1	Gasket-Dipstick, Hydro	17	116-7901	1	Magnetic Plugs Service Kit
7	116-1367	1	Swash Block Kit	18	76-1900	2	O-Ring
8	116-1368	1	Pump Seal Kit	19	116-8662	2	O-Ring-Check Valve
9	116-1369	1	Motor Seal Kit	20	116-8974	4	Screw-HH 1/2-20 X 2 1/4
10	116-1370	1	Tube Seal Kit	21	116-8975	2	Screw-HSH 1/2-20 X 2 3/4
				99	116-1373	1	Flow Test Kit ●

● Not illustrated



## Pump Idler Assembly No. 116-1255

Ref.	Part Number	Qty.	Description
2	43-0940	1	Spacer
3	103-3504	2	Bearing-Spherical
4	103-3505	1	Seal-Double Lip
5	103-3506	1	Seal-Single Lip
6	109-6658	1	Nut-Flange, NI
7	106-7159	2	O-Ring
8	323-8	1	Screw-HH
9	32120-10	2	Ring-Snap
10	302-19	1	Fitting-Grease
11	109-8076	1	Pulley-Idler
12	116-3467	1	Pin-Spring, Anchor



## Electrical Assembly

Ref.	Part Number	Qty.	Description	Ref.	Part Number	Qty.	Description
2	116-6009	1	Harness-Wire, Main ●	12	104-8300	2	Nut-Nyloc 5/16-18 Flg
2:1	103-3895	1	Diode-Tvs	13	1-303287	3	Tie-Cable 5 1/2 (Small)
2:2	218-578	1	Fuse-Blade, 10 Amp	14	82-2190	1	Switch
2:3	109355	1	Fuse-Blade, 15 Amp	15	117-2221	1	Switch-Ignition
2:4	109102	2	Fuse-Blade, 25 Amp	16	116-0124	1	Switch-PTO, 10A
2:5	116-0053	1	Cap-Plug	17	104-2065	1	Screw-HWH #10-24 X 3/8
3	117-3882	1	Fuel/Hour Meter ASM	18	115-3864	1	Cable-Battery, Positive
4	1-603511	1	Key-Ignition	19	3256-24	1	Washer-3/8 Sae
4	103-2106	1	Key-Exmark Logo	20	1-303335	1	Tie-Cable 7 15/16 (Large)
5	110-6765	2	Switch-Single Pole No	23	1-643267	1	Indicator-Red Led
6	116-0042-03	1	Strap-Tie Down, Battery	24	116-3062	1	Harness-Indicator Light
7	1-633651	2	Bolt-Holddown	25	105-1853	1	Clamp-Hose
8	1-543792	2	Wingnut-Nyloc 1/4-20	26	1-303287	2	Tie-Cable 5 1/2 (Small)
9	1-643275	1	Relay-12Vdc 40 Amp	27	109-2407	1	Insulator-Battery
10	114-1218	1	Cable-Battery, Negative	28	1-543393	1	Insulator-Solenoid
11	3234-5	2	Screw-HH Flg 5/16-18 X 3/4				

● Use dielectric grease on all unsealed connectors and terminals only. Do not apply in sealed connectors.

**Notes:**

**Notes:**

# EXMARK® MAINTENANCE

## MAXIMIZE THE PERFORMANCE OF YOUR EXMARK.

### **4-CYCLE PREMIUM ENGINE OIL**

Part No. 116-3373

Both SAE 30 and SAE 10W-30 in one bottle.

Contains increased levels of zinc and phosphorus for better lubricity.

No Viscosity Index Improvers that tend to shear down in high heat.

Synthetic formulation.

Gas & Diesel compatible.

Anti-corrosion additives.

API 'SL' and JASO rated with wet clutch compatibility for other machines.

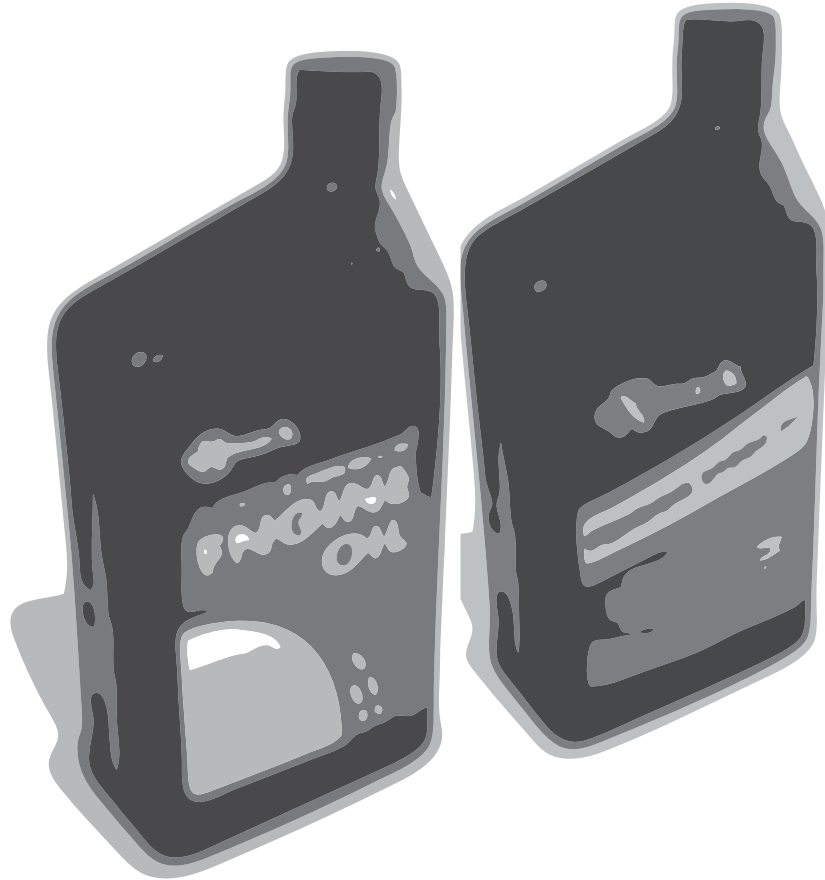
### **PREMIUM HYDRO OIL**

Part No. 109-9828

Commercial quality for tough, high-heat conditions.

Designed specifically for zero-turn mower hydraulic systems.

Superior shear resistance under heavy loads.



Available from your local Exmark dealer. Find your closest dealer at [exmark.com](http://exmark.com)

## EXMARK ACCESSORIES AND OPTIONS\*

### MID-MOUNT RIDING ACCESSORIES AND OPTIONS

CUSTOM RIDE SEAT SUSPENSION SYSTEM	OPERATOR CONTROLLED DISCHARGE
FULL SUSPENSION SEAT	SUN SHADE
DECK LIFT ASSIST KIT	TRASH CONTAINER
HITCH KIT	TURF STRIPER
LIGHT KIT	ULTRA VAC COLLECTION SYSTEM
12V POWER PORT	ULTRA VAC QUICK DISPOSAL SYSTEM
MICRO-MULCH SYSTEM	

### OUT-FRONT RIDING ACCESSORIES AND OPTIONS

CUSTOM RIDE SEAT SUSPENSION SYSTEM	SNOW BLADE
DUAL-TAIL WHEEL	SNOWBLOWER
FLOOR PAN EXTENDER	SUN SHADE
HITCH KIT	TRASH CONTAINER
LIGHT KIT	ULTRA VAC COLLECTION SYSTEM
MICRO-MULCH SYSTEM	ULTRA VAC QUICK DISPOSAL SYSTEM
ROLL OVER PROTECTION SYSTEM (ROPS)	WEATHER CAB

### WALK-BEHIND ACCESSORIES AND OPTIONS

GRASS CATCHER	TURF STRIPER
MICRO-MULCH SYSTEM	STANDON

\*Some accessories and options not available for some models.

Place Model No. and Serial No.  
Label Here (Included in the Literature  
Pack) or Fill in Below

Model No. \_\_\_\_\_

Serial No. \_\_\_\_\_

Date Purchased \_\_\_\_\_

Engine Model No. and Spec. No. \_\_\_\_\_

Engine Serial No. (E/No) \_\_\_\_\_

© 2014 Exmark Mfg. Co., Inc.  
Industrial Park Box 808  
Beatrice, NE 68310  
All Rights Reserved

Part No. 4501-751 Rev. A  
(402) 223-6300  
Fax (402) 223-5489  
Printed in the USA.

