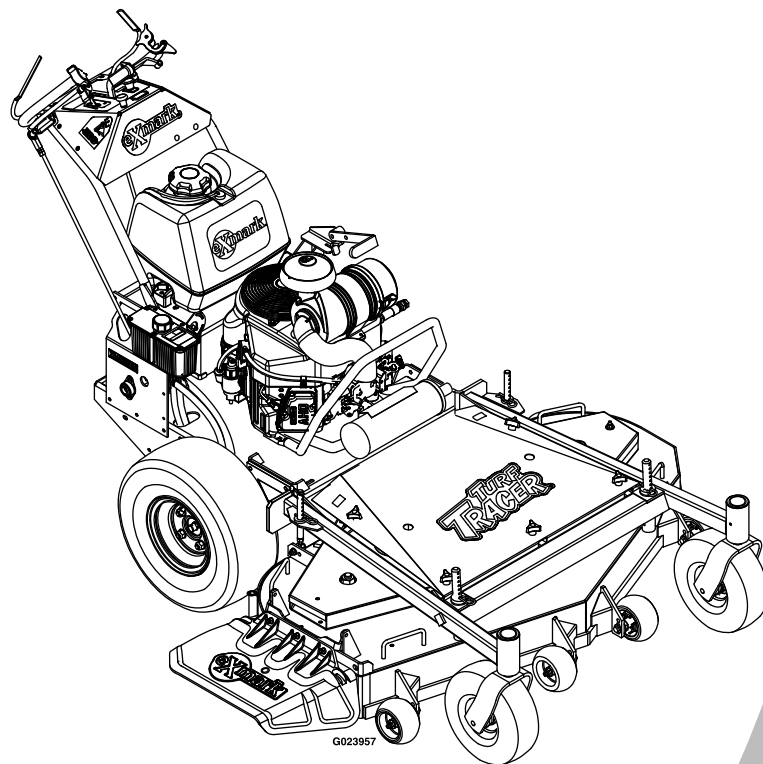




TURF TRACER® X-SERIES

Model No. TTX691KAE524—Serial No. 31400000 and Up

Picture below may not reflect actual product.



Parts Manual

Part No. 4501-709 Rev. A

Ordering Replacement Parts

To order replacement parts, please supply the part number, the quantity, and the description of each part desired.

Understanding Reference Numbers

Each identified part in an illustration has a reference number. The reference number for a part also appears in the parts list, along with other information about the part.

This catalog uses two special reference number formats, one to indicate parts in a service assembly and another to indicate the quantity of a given part in an illustration.

Service Assembly Reference Numbers

Parts in service assemblies have reference numbers in the form a:b. The a represents the reference number of the entire service assembly and the b represents a sequential number unique to each part within the service assembly.

For example, a wheel assembly might be identified by reference number 6, the tire by 6:1, the valve by 6:2, and the wheel by 6:3. When you order the assembly identified by reference number 6, you receive all parts identified by reference numbers 6:1, 6:2, and 6:3. However, you may also order any part individually. Reference numbers of this type appear in illustration and in parts lists.

Reference Numbers Indicating Quantity

In an illustration, if a reference number indicates more than one part, the reference number has the form nX y. The n represents the quantity of the part, the X is the multiplication symbol, and the y represents the reference number.

For example, in an illustration, the reference number 2X 37 means that two of the parts identified by reference number 37 are indicated.

List of Abbreviations

AR: as required	HJ: hex jam	PRH: phillips round head
ASM: assembly	HLH: hex lag head	PTH: phillips truss head
BBC: blade brake control	HOC: height-of-cut	PTO: power-take-off
BHTF: button head thread forming	HSBH: hex socket button head	RH: right hand
CARR: carriage	HSFH: hex socket flat head	ROPS: roll-over protection system
CCW: counter clockwise	HSH: hex socket head	RRB: rear roller brush
CW: clockwise	HWH: hex washer head	SFH: slotted fillister head
DEG: degrees	HWHTF: hex washer head thread forming	SHH: slotted hex head
DPA: Dual Point Adjustment	HYD: hydraulic	SHWH: slotted hex washer head
ECM: electronic control module	LH: left hand	SPH: slotted pan head
EXT: external	LP: Liquefied Petroleum Gas	SQH: square head
FH: flat head	LPG: Liquefied Petroleum Gas	SRH: slotted round head
GA: gauge	NI: nylon insert	STD: standard
HD: heavy-duty	NPTF: national pipe thread fine	TAP: self tapping
HF: hex flange	PFH: phillips flat head	TTH: torx truss head
HH: hex head	PPH: phillips pan head	
HHF: hex head flange	PPHTF: phillips pan head thread forming	
HHFTF: hex head flange thread forming		

Touch Up Paint

Exmark black touch up spray paint – gloss black.

Exmark red touch up paint (spray paint – P/N 1-850337 - .6 oz liquid bottle – P/N 103-9140).

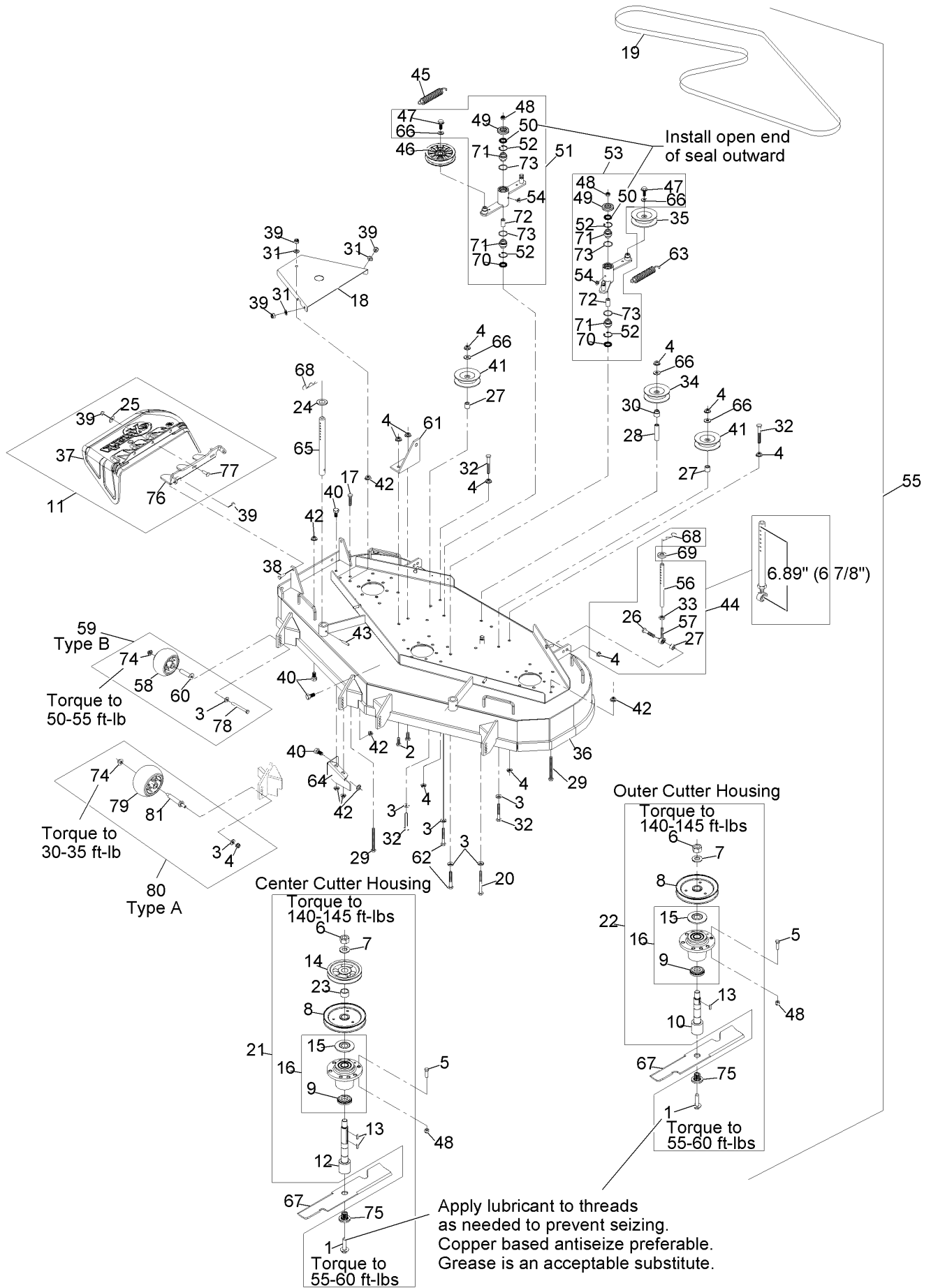


If your Exmark dealer does not have the Exmark part in stock, Exmark will get the parts to the dealer the next business day or the part will be FREE Guaranteed!! (Some restrictions apply. See your participating Exmark Dealer for details.)

Contents

Deck Assembly	4
Deck Support Assembly	6
ECS Upper Handles and Controls Assembly	8
Engine Deck Assembly	10
Park Brake and Engine Assembly	12
Hydraulic Assembly	14
Fuel Tank Assembly	16
Electrical Assembly	17
Decals	18

Deck Assembly



Deck Assembly (continued)

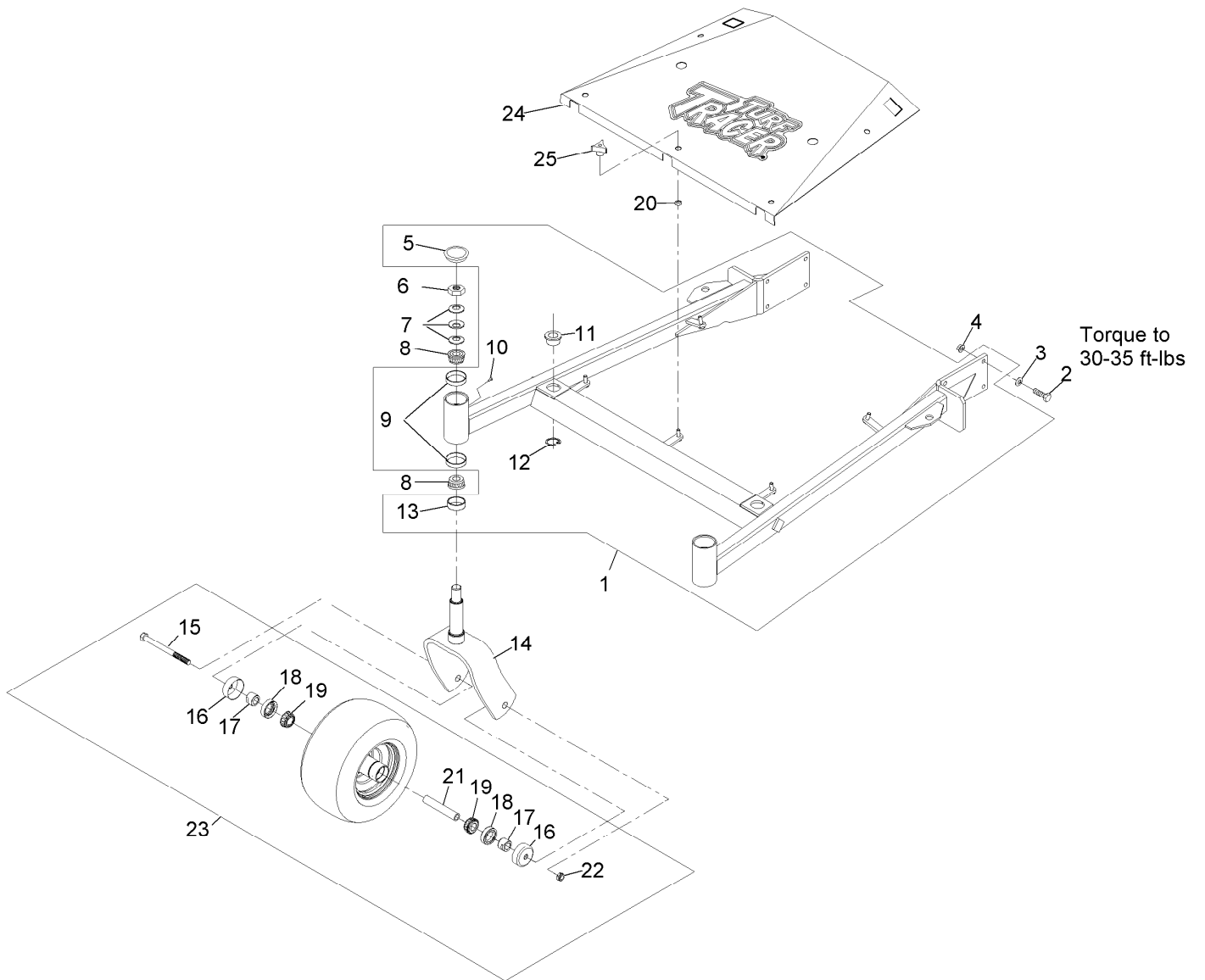
Ref.	Part Number	Qty.	Description	Ref.	Part Number	Qty.	Description
1	109-9220	3	Screw-Sems 1/2-20 X 2.19	41	1-303516	2	Pulley, V-Idler
2	323-6	2	Screw-HH 3/8-16 X 1	42	32128-20	8	Nut-Whizlock 5/16-18
3	98-5975	11	Washer-Spring Disc 3/8	43	1-806332	2	Rollpin 1/4 X 1 1/2
4	3290-357	11	Nut-Whizlock 3/8-16	44	1-411532	2	Kit, Support Link W/Pin
4	3290-357	17	Nut-Whizlock 3/8-16	45	1-603413	1	Spring-Extension
5	323-7	18	Screw-HH 3/8-16 X 1 1/4	46	109-4077	1	Pulley-Idler, Flat
6	3217-46	3	Nut-Hex 3/4-16 Heavy	47	3234-11	2	Screw-HH Flg 3/8-16 X 1
7	103-2802	3	Washer-Spring Disc 3/4	48	3296-39	20	Nut-Nyloc 3/8-16
8	103-2794	3	Sheave, Blade Drive ▲	49	103-2916	2	Guard-Top
9	103-2535	3	Spacer-Guard Bottom	50	103-3506	2	Seal-Single Lip
10	103-9086	2	Kit-Splined Spindle ▲	51	103-8072	1	Kit, Idler Arm W/Bearings ●
11	109-4722	1	Asm, Discharge Chute	52	32120-10	4	Ring-Retaining
12	103-9087	1	Kit, Center Blade Spindle (Long) ▲	53	103-8071	1	Kit, Idler Arm W/Bearings ●
13	103-2982	4	Key-Machine 1/4 X 3/16 X 3/4	54	302-40	2	Zerk-90° 1/4-28
14	103-2793	1	Sheave, Mower Drive ▲	55	116-5947	1	Asm, Complete Deck
15	103-1330	3	Guard-Bearing Top ▲	56	1-413525	2	Link, Rear Deck Support
16	103-8280	3	Asm, Cutter Housing W/Bearings ▲	57	1-613204	2	Balljoint
17	322-3	1	Screw-HH 5/16-18 X 3/4	58	103-8415	6	Roller, Anti-Scalp
18	103-2969-01	2	Cover, Deck	59	116-9981	6	Kit, Anti-Scalp Roller
19	103-2329	1	Belt, Blade Drive	60	116-8131	6	Axle, Roller
20	323-23	1	Screw-HH 3/8-16 X 4-1/2	61	1-603620-01	1	Bracket, Spring Anchor
21	103-9084	1	Housing, Cutter Complete (Center)	62	98-5961	2	Screw-HH 3/8-16 X 4 Gr8
22	103-9076	2	Asm, Cutter Housing Complete	63	1-603414	1	Spring-Extension
23	103-3209	1	Spacer, Tube	64	116-2072-01	1	Baffle
24	1-413425	2	Spacer	65	1-603001	2	Rod, Deck Support
25	3256-82	3	Washer	66	3256-24	5	Washer-3/8 Sae
26	323-9	2	Screw-HH 3/8-16 X 1 3/4	67	103-6402	3	Blade-Notched
27	1-603050	4	Spacer	67	103-6382	3	Blade, Solid
28	1-633988	1	Spacer-Anchor, Clutch	67	103-6387	3	Blade, Low Lift
29	1-800017	2	Bolt-HH 5/16-18 X 3 1/4 Tap	67	103-6392	3	Blade, Mulching ■
30	1-513791	1	Bushing	67	103-6397	3	Blade, Extreme
31	3256-3	6	Washer-5/16 Std	68	1-806009	4	Hairpin-Cotter #206
32	323-12	4	Screw-HH 3/8-16 X 2 1/2	69	1-323539	2	Spacer-Blade Drive
33	3220-3	2	Nut-Jam 3/8-24	70	103-3505	2	Seal-Double Lip
34	1-603805	1	Pulley-Idler	71	103-3504	4	Bearing-Spherical
35	1-613098	1	Pulley-Idler	72	1-413088	2	Spacer
36	116-5949	1	Deck, (116-5862-01) W/ Decals	73	106-7159	4	O-Ring
37	109-2738	1	Chute, Discharge	74	109-6658	6	Nut-Nyloc 3/8-16 Flg
38	322-5	2	Screw-HH 5/16-18 X 1	75	103-3037	3	Bushing, Splined
39	3296-29	8	Nut-Nyloc 5/16-18	76	109-4573-01	1	Bracket, Discharge Chute
40	322-2	5	Screw-HH 5/16-18 X 5/8	77	3230-22	3	Bolt-Carriage 5/16-18 X 1 Sp
				78	116-9362	6	Screw-HH
				79	1-603299	6	Roller-Scalp, Anti
				80	103-4051	6	Kit, Antiscalp Roller
				81	99-2842	6	Spacer

● Assembly also includes Washer and Screw

■ Requires installation of mulch kit for proper mulching. See your Exmark dealer for details.

▲ Apply Mobil HTS grease (P/N 103-5217 1.5 oz packet) (or a food-grade anti-seize). See operator s manual for locations.

Deck Support Assembly

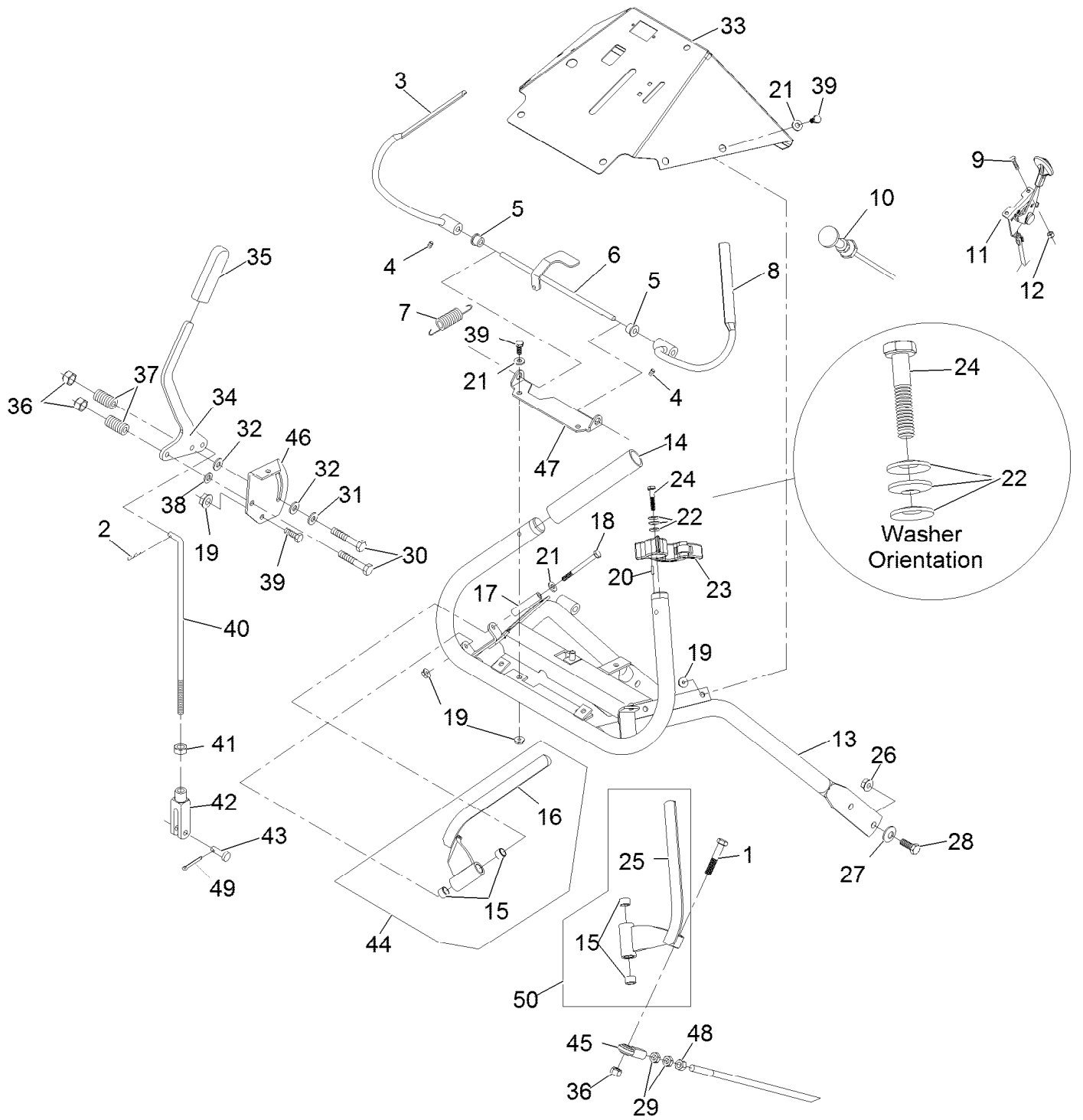


Deck Support Assembly (continued)

<i>Ref.</i>	<i>Part Number</i>	<i>Qty.</i>	<i>Description</i>	<i>Ref.</i>	<i>Part Number</i>	<i>Qty.</i>	<i>Description</i>
1	103-1895	1	Support, Deck 103-4959-01 W/Bsgs And Decals	14	103-1891-01	2	Wld, Caster Fork
2	323-7	8	Screw-HH 3/8-16 X 1 1/4	15	325-20	2	Screw-HH 1/2-13 X 6
3	98-5975	8	Washer-Spring Disc 3/8	16	103-2768	4	Guard-Seal
4	3290-357	8	Nut-Whizlock 3/8-16	17	103-3051	4	Spacer-Nut ●
5	103-4882	2	Cap-Grease	18	103-0063	4	Seal-Double Lip
6	3296-51	2	Nut-Nyloc 3/4-10	19	1-633585	4	Bearing-Cone Tapered Roller
7	1-633508	6	Washer-Spring Disc	20	1-323417	5	Washer-Belt Shield
8	1-543509	4	Cone-Bearing Tapered Roller	21	103-3157	2	Axle-Caster
9	1-543508	4	Cup-Bearing Tapered Roller	22	3296-45	2	Nut-Nyloc 1/2-13 Thin
10	1-811010	2	Plug	23	109-3524	2	Asm, Wheel And Bearings
11	1-513336	2	Bushing-Deck	24	116-2708	1	Shield, Belt (103-2319-01) W/Decal (52")
12	32120-33	2	Ring-Retaining	25	1-323385	5	Knob-3 Prong
13	1-543511	2	Seal-Grease				

● Use Pro-Lock, Nut Type (P/N 1-840022, .5ml tube) on threads.

ECS Upper Handles and Controls Assembly



ECS Upper Handles and Controls Assembly (continued)

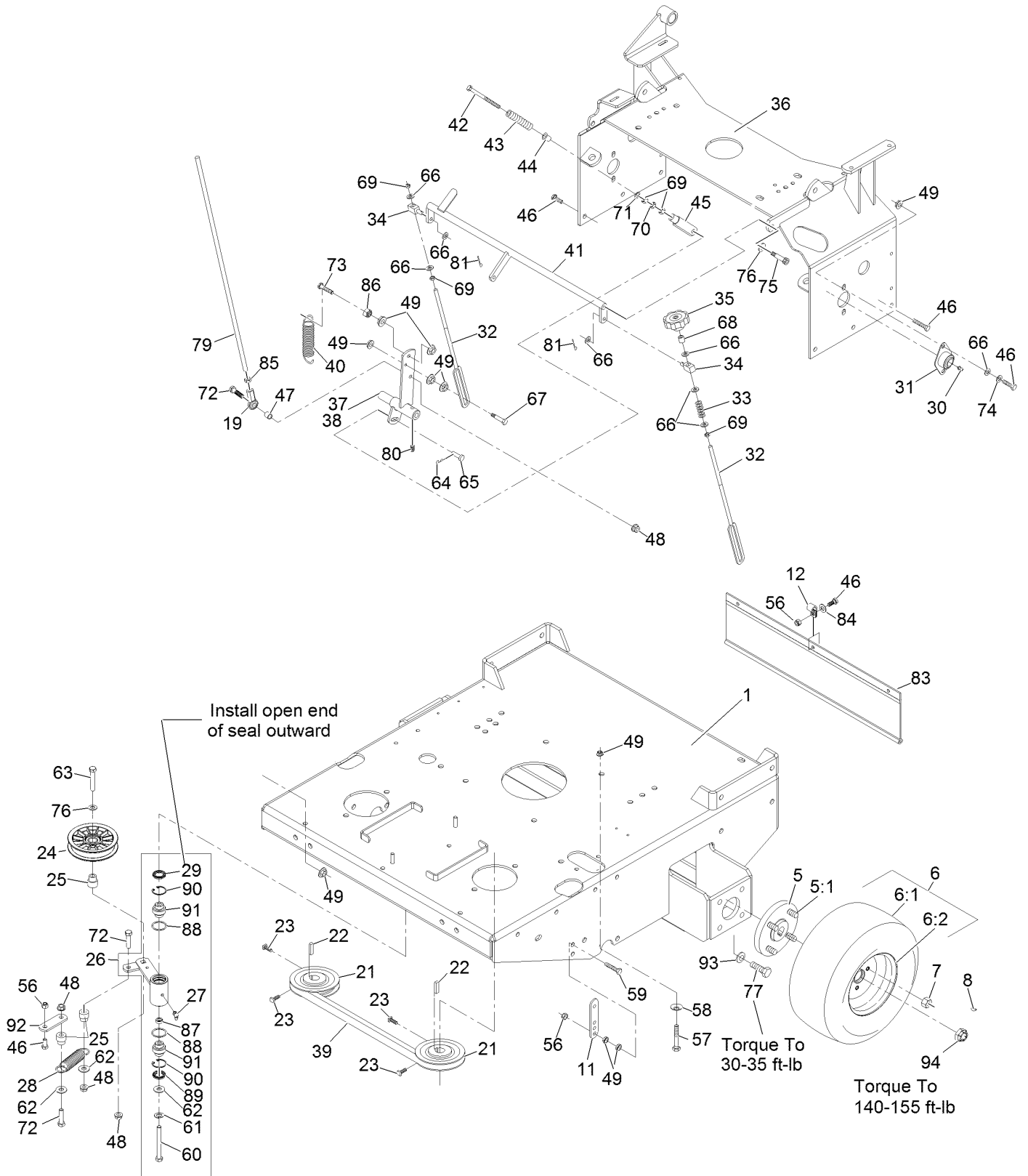
<i>Ref.</i>	<i>Part Number</i>	<i>Qty.</i>	<i>Description</i>	<i>Ref.</i>	<i>Part Number</i>	<i>Qty.</i>	<i>Description</i>
1	322-9	2	Screw-HH 5/16-18 X 1 3/4	26	3290-357	4	Nut-Whizlock 3/8-16
2	1-806003	1	Hairpin-Cotter	27	98-5975	4	Washer-Spring Disc 3/8
3	116-4079	1	Wld, Lever, Opc (LH) ▲	28	323-6	4	Screw-HH 3/8-16 X 1
4	1-803322	2	Setscrew-5/16-24 X 5/16 ■	29	3220-3	4	Nut-Jam 3/8-24
5	1-303365	2	Bushing-Nylon	30	322-10	2	Screw-HH 5/16-18 X 2
6	103-0769-03	1	Rod Weldment, Opc	31	1-603716	1	Washer-Friction Disc
7	1-303363	1	Spring-Extension	32	1-323244	2	Washer-Friction
8	116-4080	1	Wld, Opc Lever (RH) ▲	33	109-4508	1	Console 109-4506-03 W/ Decals
9	1-807513	2	Bolt-Carriage #10-24 X 1/2	34	116-8632	1	Lever-Shift W/Grip
10	110-5720	1	Control-Choke, Push / Pull	35	103-5994	1	Grip, Steering Handle
11	116-2426	1	Cable, Throttle	36	3296-29	4	Nut-Nyloc 5/16-18
12	3296-2	2	Nut-Nyloc #10-24	37	1-323245	2	Spring-Compression
13	103-1537-03	1	Handle Wld, Upper Ecs	38	3256-23	1	Washer-5/16 Sae
14	103-0815	2	Grip-Bar, Handle	39	321-3	10	Screw-HH 1/4-20 X 5/8
15	1-413152	4	Bushing-Sleeve	40	1-413225	1	Rod, Speed Control
16	116-4081	1	Lever, Drive LH	41	3220-2	1	Nut-Jam 5/16-24
17	103-0027	2	Bushing-Lever, Drive	42	1-303105	1	Yoke-Adjustable
18	321-14	2	Screw-HH 1/4-20 X 2 3/4	43	1-808280	1	Pin-Clevis 5/16 X 1 49/64
19	32128-33	12	Nut-Whizlock 1/4-20	44	103-2514	1	Asm, Drive Lever LH
20	103-0464	2	Pin-Spring 1/8 X 1/2	45	103-2463	2	Balljoint
21	3256-22	10	Washer-1/4 Sae	46	103-0503	1	Bracket, Shifter Slide
22	1-303435	6	Washer-Spring Disc 1/4	47	103-0489-03	1	Bracket, Opc Axle
23	103-1371	1	Thumb Latch Asm RH	48	3219-3	2	Nut-Hex 3/8-24
23	103-1372	1	Thumb Latch Asm LH ●	49	3272-5	1	Pin-Cotter 3/32 X 1/2
24	103-0235	2	Screw-HH 1/4-20 X 1 1/8 W/Nylon ■	50	103-2513	1	Asm, Drive Lever RH
25	116-4082	1	Lever, Drive RH				

● Not illustrated

■ Use Pro-Lock, Nut Type (P/N 1-840022, .5ml tube) on threads.

▲ Use Pro-Lock retaining type, Part no. 1-840023 (.5cc tube) on inside of bore of OPC hub.

Engine Deck Assembly



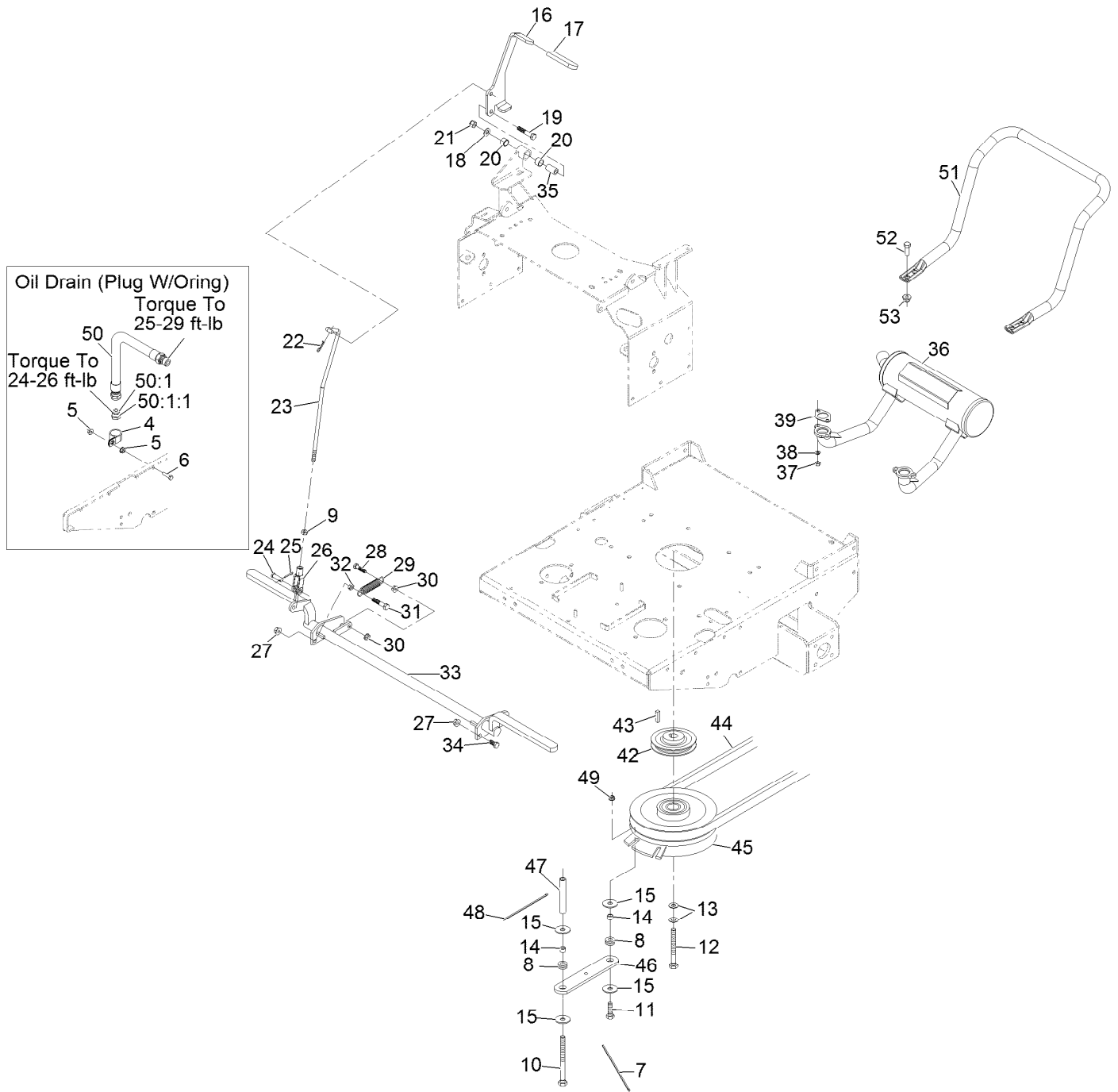
Engine Deck Assembly (continued)

<i>Ref.</i>	<i>Part Number</i>	<i>Qty.</i>	<i>Description</i>	<i>Ref.</i>	<i>Part Number</i>	<i>Qty.</i>	<i>Description</i>
1	116-6130	1	Eng Deck (116-8949-01) W/ Decals	49	32128-20	23	Nut-Whizlock 5/16-18
5	112-9049	2	Wheel Hub ASM	56	3296-29	6	Nut-Nyloc 5/16-18
5:1	1-633926	8	Stud-Wheel	57	323-7	4	Screw-HH 3/8-16 X 1 1/4
6	103-1715	2	Tire And Wheel Assy	58	98-5975	4	Washer-Spring Disc 3/8
6:1	103-2237	2	Tire Only 18 X 8.50	59	1-800016	2	Bolt-HH 5/16-18 X 1 1/4 Tap
6:2	103-2238	2	Wheel Only	60	1-800805	1	Screw-HH 3/8-16 X 3-1/2 Gr8 ■
7	242-50	8	Nut-Lug 1/2-20	61	3253-5	1	Washer-Lock 3/8 Heavy
8	1-807019	2	Key-Woodruff 1 X 1/4	62	3256-4	3	Washer-3/8 Std
11	1-613089	2	Tab-Spring, Extension	63	323-9	1	Screw-HH 3/8-16 X 1 3/4
12	1-413510	3	Clip-Loom	64	1-806003	2	Hairpin-Cotter
19	103-1167	2	Joint-Ball End	65	1-808280	2	Pin-Clevis 5/16 X 1 49/64
21	1-413010	2	Sheave ASM	66	3256-23	11	Washer-5/16 Sae
22	1-807272	2	Key-5Mm X 5Mm X 25Mm	67	1-403180	2	Screw-HH 5/16-18 X 1 3/8 Special
23	120-6474	4	Screw-Set, SQH 5/16-18 X 3/4 ■	68	1-603903	1	Spacer
24	109-4077	1	Pulley-Idler, Flat	69	3219-2	7	Nut-Hex 5/16-24
25	1-603496	3	Bushing-Idler	70	3220-2	2	Nut-Jam 5/16-24
26	109-2578	1	Kit	71	3256-2	2	Washer-1/4 Std
27	302-40	1	Zerk-90° 1/4-28	72	323-8	4	Screw-HH 3/8-16 X 1 1/2
28	1-603414	1	Spring-Extension	73	116-3515	2	Screw,HH Special 5/16-18 X 1.25
29	103-3506	1	Seal-Single Lip	74	1-805005	4	Washer-Lock 5/16 Heavy
30	302-19	2	Zerk-1/4-28 Str	75	1-809056	2	Screw-Sh 5/16-18 X 1 3/8 ■
31	1-633102	2	Bearing-Flanged	76	3256-24	3	Washer-3/8 Sae
32	1-613206	2	Rod, Control Arm	77	323-6	8	Screw-HH 3/8-16 X 1
33	1-323245	1	Spring-Compression	79	103-1576	2	Rod, Drive Lever
34	1-603676	2	Swivel-Adjustable, Short	80	1-803022	2	Setscrew-5/16-18 X 5/8 ■
35	103-3060	1	Knob-Tracking	81	3272-5	2	Pin-Cotter 3/32 X 1/2
36	116-1792-01	1	Support, Tank/Handle	83	103-2224	1	Shield, Drag
37	103-1561-01	1	Arm, Control LH	84	3256-3	3	Washer-5/16 Std
38	103-1562-01	1	Arm, Control RH ●	85	3220-16	2	Nut-Jam 3/8-24 LH
39	109-2584	1	Belt, Hyd Trans Drive ("a" Belt)	86	3218-2	2	Nut-Jam 5/16-18
40	1-603693	2	Spring	87	103-5677	1	Spacer
41	103-2234-01	1	Crank Weldmt	88	106-7159	2	O-Ring
42	1-603737	2	Bolt-Neutral Return	89	103-3505	1	Seal-Double Lip
43	103-0265	2	Spring, Neutral Return	90	32120-10	2	Ring-Retaining
44	1-603735	2	Bushing-Flanged	91	103-3504	2	Bearing-Spherical
45	1-303105	2	Yoke-Adjustable	92	1-633068	1	Arm-Lift, Deck
46	322-3	14	Screw-HH 5/16-18 X 3/4	93	98-5975	8	Washer-Spring Disc 3/8
47	103-2421	2	Tube, Pump Link Spacer	94	116-2839	2	Nut-Lock
48	3290-357	6	Nut-Whizlock 3/8-16				

● Not illustrated

■ Use Pro-Lock, Nut Type (P/N 1-840022, .5ml tube) on threads.

Park Brake and Engine Assembly



Park Brake and Engine Assembly (continued)

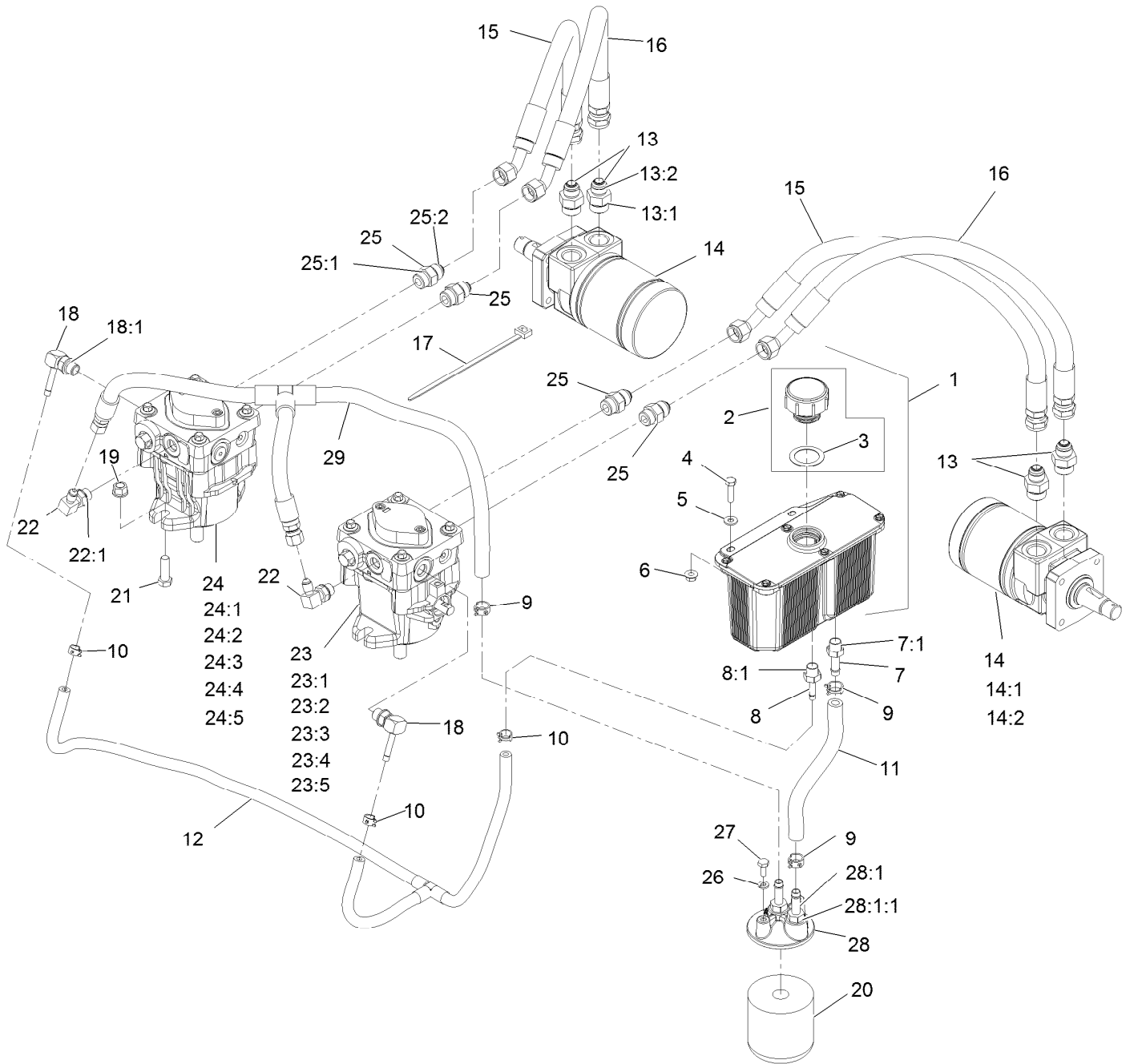
<i>Ref.</i>	<i>Part Number</i>	<i>Qty.</i>	<i>Description</i>	<i>Ref.</i>	<i>Part Number</i>	<i>Qty.</i>	<i>Description</i>
4	1-643312	1	Clip-Loom	29	1-323161	1	Spring
5	32128-33	2	Nut-Whizlock 1/4-20	30	32128-20	6	Nut-Whizlock 5/16-18
6	321-6	1	Screw-HH 1/4-20 X 1	31	323-9	1	Screw-HH 3/8-16 X 1 3/4
7	1-303335	1	Tie-Cable 7 15/16 (Large)	32	3218-3	1	Nut-Jam 3/8-16
8	1-633630	2	Grommet	33	116-9159	1	Brake Weldmt
9	3220-3	1	Nut-Jam 3/8-24	34	323-4	3	Screw-HH 3/8-16 X 3/4
10	322-38	1	Screw-HH 5/16-18 X 4 1/2	35	1-413344	1	Bushing-Pivot
11	322-6	1	Screw-HH 5/16-18 X 1 1/4	36	116-3736	1	Muffler
12	3212-12	1	Screw-HH 7/16-20 X 3 ▲	37	114-3549	2	Nut-M8
13	1-603610	2	Washer-Spring Disc 7/16	38	114-3550	2	Washer-Lock, Spring
14	1-633545	2	Spacer	39	1-653313	2	Gasket-Exhaust
15	1-613235	4	Washer	42	1-653035	1	Pulley ●
16	109-4544	1	Lever, Park Brake (109-4543-03) W/Decal And Grip	43	1-807259	1	Key-Machine 1/4 X 1/4 X 1
17	1-303020	1	Grip-Lever	44	103-2240	1	Belt, Deck Drive (52")
18	3256-24	1	Washer-3/8 Sae	45	103-0662	1	Clutch ASM
19	322-10	1	Screw-HH 5/16-18 X 2	46	1-633543-03	1	Strap-Clutch, Brake
20	1-413347	2	Sleeve-Bushing	47	1-323195-03	1	Standoff, Clutch
21	3296-39	1	Nut-Nyloc 3/8-16	48	1-303287	1	Tie-Cable 5 1/2 (Small)
22	1-806003	1	Hairpin-Cotter	49	32128-20	1	Nut-Whizlock 5/16-18
23	109-4078	1	Linkage, Park Brake	50	116-4924	1	Asm-Hose Oil Drain W/Plug ■
24	1-808285	1	Pin-Clevis 3/8 X 1 1/8	50:1	353-508	1	Plug-W/O-Ring
25	3272-10	1	Pin-Cotter 1/8 X 3/4	50:1:1	237-42	1	O-Ring
26	1-633131	1	Yoke-Linkage, Brake	51	116-6278-03	1	Guard-Muffler
27	3290-357	4	Nut-Whizlock 3/8-16	52	323-6	4	Screw-HH 3/8-16 X 1
28	116-3515	1	Screw,HH Special 5/16-18 X 1.25	53	104-8301	4	Nut-Nyloc 3/8-16 Flg

● Install sheave with long end of hub up.

■ Use a Teflon Pipe Sealant or equivalent on threads.

▲ Use Pro-Lock, Nut Type (P/N 1-840022, .5ml tube) on threads.

Hydraulic Assembly



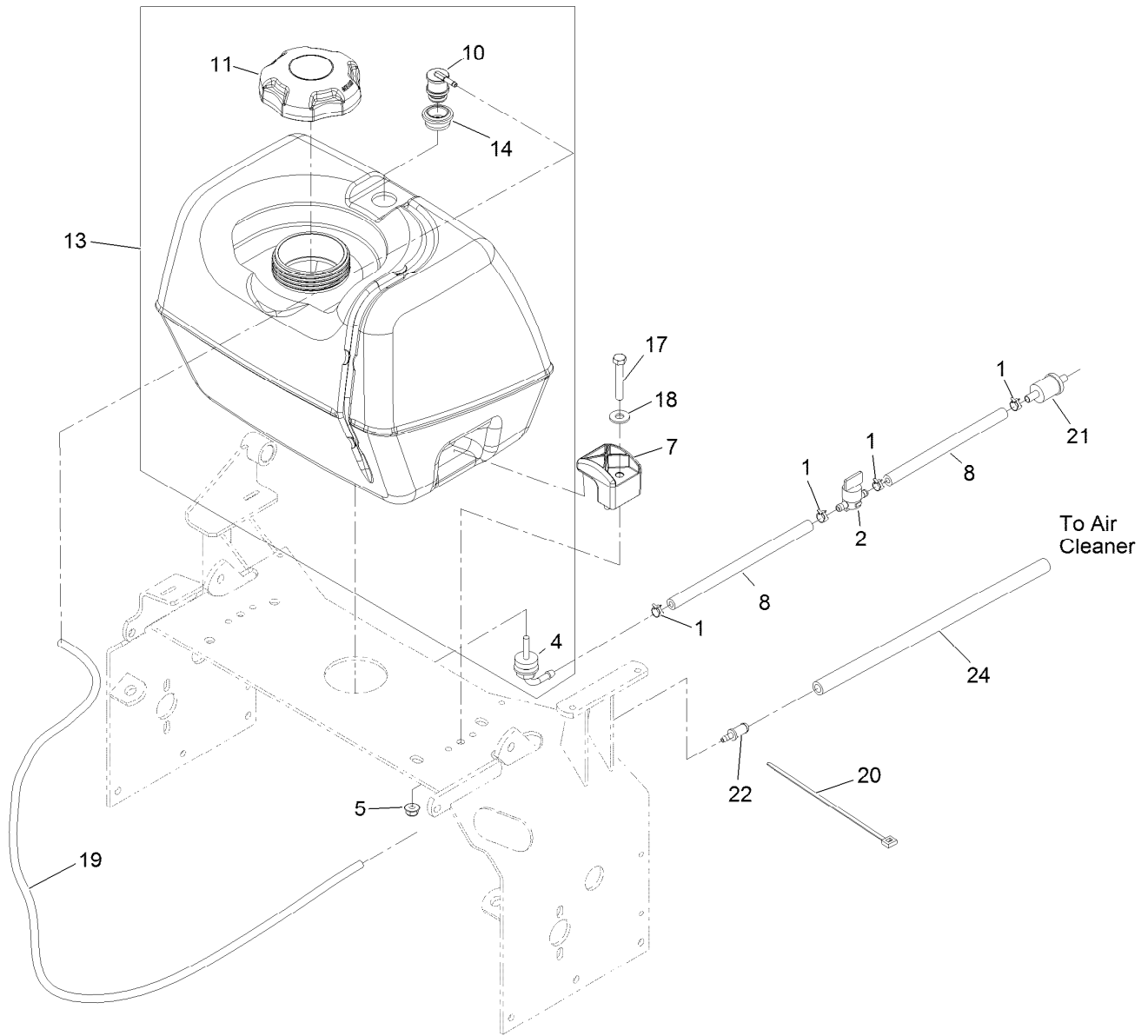
Hydraulic Assembly (continued)

<i>Ref.</i>	<i>Part Number</i>	<i>Qty.</i>	<i>Description</i>	<i>Ref.</i>	<i>Part Number</i>	<i>Qty.</i>	<i>Description</i>
1	103-1947	1	HYD Reservoir ASM	22	103-1802	2	Fitting-HYD, 90 DEG
2	103-7615	1	Asm, Cap W/Gasket	22:1	1-603921	1	O-Ring-Sae #6
3	103-1949	1	Gasket-Cap	23	116-2495	1	Pump, Hydro RH
4	321-6	2	Screw-HH 1/4-20 X 1	23:1	103-2664	1	Input Shaft Kit
5	3256-22	2	Washer-1/4 Sae	23:2	94-6922	1	Bearing-Thrust
6	32128-33	2	Nut-Whizlock 1/4-20	23:3	103-2666	1	Cylinder Block Kit
7	103-1912	1	Adapter-Straight	23:4	105-6184	1	Seal Overhaul Kit
7:1	1-603921	1	O-Ring-Sae #6	23:5	126-2479	1	Kit, Hydro Pump
8	103-1801	1	Adapter-Straight	23:5:1		1	Kit-10Cc Cylinder Block ●■
8:1	1-603921	1	O-Ring-Sae #6	23:5:2		1	Plate, Valve ●■
9	103-1988	3	Clamp-Hose 11/16	23:5:3		1	Gasket, Housing ●■
10	103-1716	3	Clamp-Hose 17/32	24	116-2494	1	Pump, Hydro LH
11	109-1010	1	Hose, Hydraulic	24:1	103-2664	1	Input Shaft Kit
12	103-4607	1	Asm, Case Drain Hose	24:2	94-6922	1	Bearing-Thrust
13	1-603991	4	Adapter-Straight	24:3	103-2666	1	Cylinder Block Kit
13:1	1-603919	1	O-Ring-Sae #10	24:4	105-6184	1	Seal Overhaul Kit
13:2	1-603992	1	O-Ring-37 Flare #8	24:5	126-2479	1	Kit, Hydro Pump
14	1-603718	2	HYD Motor ASM	24:5:1		1	Kit-10Cc Cylinder Block ●■
14:1	1-000119	1	Seal Kit	24:5:2		1	Plate, Valve ●■
14:2	1-000138	1	Bearing And Seal Kit	24:5:3		1	Gasket, Housing ●■
15	116-8646	2	Hose, Hydro	25	1-603990	4	Adapter-Straight
16	116-8647	2	Hose, Hydro	25:1	1-603920	1	O-Ring-Sae #8
17	1-303335	1	Tie-Cable 7 15/16 (Large)	25:2	1-603992	1	O-Ring-37 Flare #8
18	103-1799	2	Elbow-90 DEG	26	1-805004	2	Washer-Lock 1/4 Heavy
18:1	1-603921	1	O-Ring-Sae #6	27	321-3	2	Screw-HH 1/4-20 X 5/8
19	32128-43	4	Nut-Whizlock 3/8-16	28	103-2889	1	Filter Head ASM
20	109-4180	1	Element, Oil Filter	28:1	103-1912	2	Adapter-Straight
20	1-523541	1	Element, Oil Filter (Winter) ▲	28:1:1	1-603921	1	O-Ring-Sae #6
21	323-7	4	Screw-HH 3/8-16 X 1 1/4	29	103-4608	1	Asm, Charge Hose

● Not illustrated

■ Not serviced separately

▲ Use only for operation below 32°F (0°C).



Fuel Tank Assembly

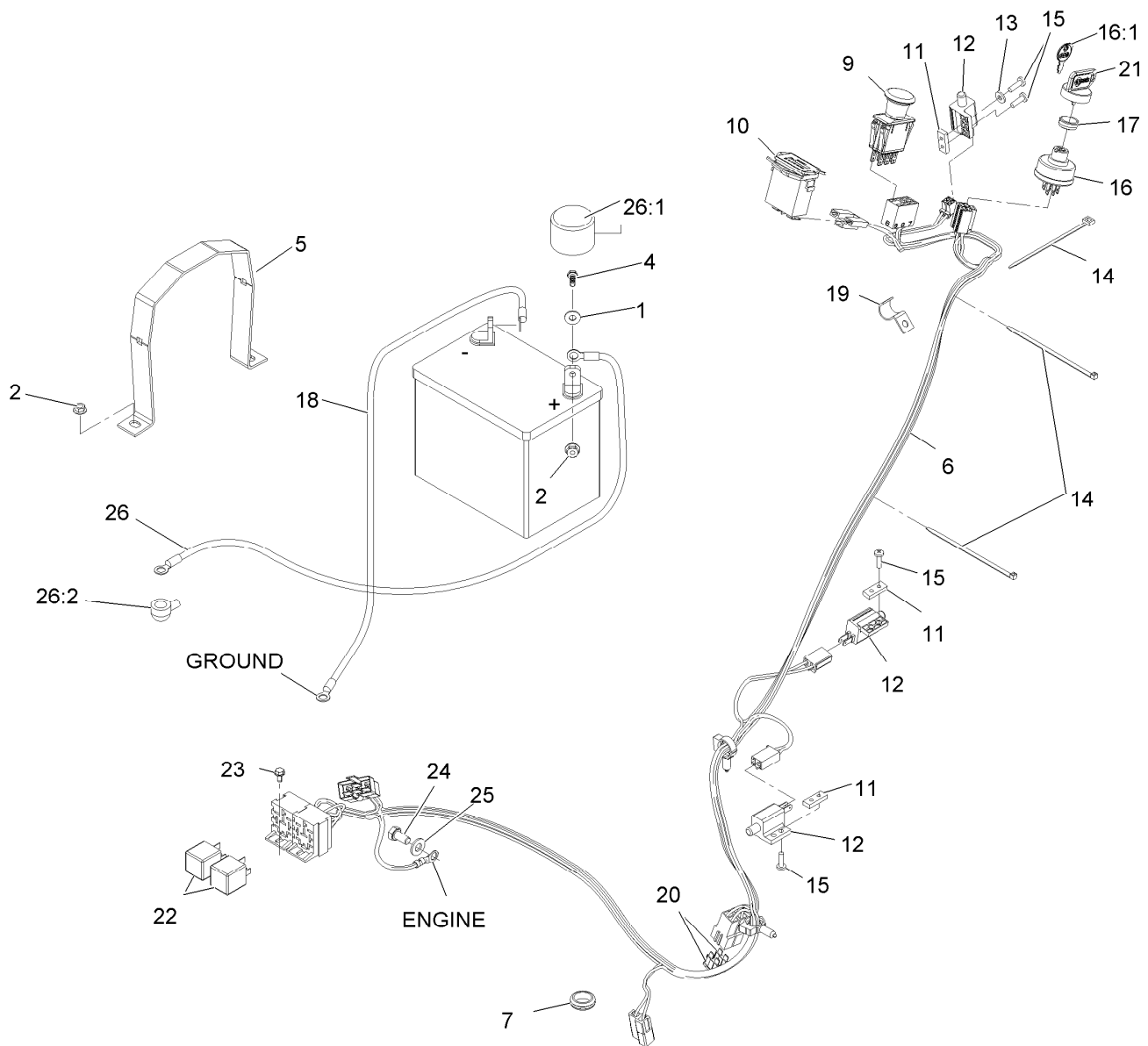
Ref.	Part Number	Qty.	Description
1	2412-98	4	Clamp-Hose
2	1-603770	1	Valve-Fuel
4	103-2605	1	Fitting-Fuel Bulkhead W/Strainer ▲
5	104-8300	2	Nut-Nyloc 5/16-18 Flg
7	107-4543	2	Clamp
8	109-0304	2	Hose-Fuel Line 2 1/2"
10	119-3547	1	Valve-Vent, Fuel
11	115-4465	1	Cap-Fuel, Ratcheting
13	126-1525	1	Asm-Fuel Tank

Ref.	Part Number	Qty.	Description
14	114-0284	1	Grommet
17	322-10	2	Screw-HH 5/16-18 X 2
18	3256-3	2	Washer-5/16 Std
19	116-4346	1	Hose-Emissions
20	1-303335	1	Tie-Cable 7 15/16 (Large)
21		1	Pn 49019-0014 Filter W/6In Fuel Line ■●
22	98-2952	1	Fitting-Straight
24	116-4344	1	Hose-Fuel

● Not serviced separately

▲ Use Pro-Lock, Nut Type (P/N 1-840022, .5ml tube) on threads.

■ Obtain parts from www.kawpowerpc.com



Electrical Assembly

Ref.	Part Number	Qty.	Description	Ref.	Part Number	Qty.	Description
1	3256-2	2	Washer-1/4 Std	16:1	1-603511	1	Key-Ignition
2	32128-33	4	Nut-Whizlock 1/4-20	17	103-0498	1	Nut-Ignition
4	321-4	2	Screw-HH 1/4-20 X 3/4	18	1-543767	1	Wire-Ground
5	1-603814-03	1	Strap, Battery Holddown	19	103-1193	2	Clip-Loom Half
6	116-8374	1	Harness, Wiring ●	20	1-816001	2	Fuse-Blade Type, 20 Amp
7	1-543286	1	Grommet	21	103-2106	1	Key-Exmark Logo
9	103-5221	1	Switch-PTO	22	1-643275	2	Relay-12Vdc 40 Amp
10	1-513374	1	Meter-Engine Hours	23	104-2065	2	Screw-HWH #10-24 X 3/8
11	1-633181	3	Plate-Tapped	24	33114-016	1	Screw-HH M8-1.25 X 16Mm
12	1-513051	3	Switch-N.O.	25	33094-00	1	Washer
13	3256-14	1	Washer-#10 Std	26	109-7630	1	Positive Battery Cable ASM
14	1-303335	3	Tie-Cable 7 15/16 (Large)	26:1	109-2407	1	Insulator-Battery
15	3290-500	6	Screw-PPH #10-24 X 5/8	26:2	1-543393	1	Insulator-Solenoid
16	103-0206	1	Switch-Ignition W/Keys				

● Use dielectric grease on all unsealed connectors and terminals only. Do not apply in sealed connectors.



Decals

Ref.	Part Number	Qty.	Description	Ref.	Part Number	Qty.	Description
1	103-1541	1	Decal, Console Ecs	12	1-303508	1	Decal-Warning, Discharge
2	116-0404	1	Decal-Hydraulic Tank	13	98-5954	3	Decal-Cover, Missing
3	103-2432	1	Decal, Brake Lever	14	109-3148	1	Decal, Bolt Torque
4	1-403143	1	Decal, Sulky Warning	15	103-2239	1	Decal, Belt Routing
5	103-4935	1	Decal, Drive Wheel Release	16	1-403005	2	Decal-Danger
6	117-2718	1	Decal-Arrester, Spark	17	103-2076	2	Decal-Caution
7	1-413214	1	Decal, Tracking	18	116-3883	2	Decal-X-Series
8	1-303517	1	Decal, Belt Drive	19	116-0034	1	Decal, Ultracut 52 Series 4
9	103-2242	1	Decal, Ecs Instruction LH	20	103-3013	1	Decal, Turf Tracer
10	103-2243	1	Decal, Ecs Instruction RH	21	103-2882	1	Decal, Exmark Logo
11	1-553049	1	Decal, Mower Deck	99	103-5828	1	Kit, Decal Complete •

• Not illustrated

EXMARK® MAINTENANCE

MAXIMIZE THE PERFORMANCE OF YOUR EXMARK.

4-CYCLE PREMIUM ENGINE OIL

Part No. 116-3373

Both SAE 30 and SAE 10W-30 in one bottle.

Contains increased levels of zinc and phosphorus for better lubricity.

No Viscosity Index Improvers that tend to shear down in high heat.

Synthetic formulation.

Gas & Diesel compatible.

Anti-corrosion additives.

API 'SL' and JASO rated with wet clutch compatibility for other machines.

PREMIUM HYDRO OIL

Part No. 109-9828

Commercial quality for tough, high-heat conditions.

Designed specifically for zero-turn mower hydraulic systems.

Superior shear resistance under heavy loads.



Available from your local Exmark dealer. Find your closest dealer at exmark.com

EXMARK ACCESSORIES AND OPTIONS*

MID-MOUNT RIDING ACCESSORIES AND OPTIONS

CUSTOM RIDE SEAT SUSPENSION SYSTEM	OPERATOR CONTROLLED DISCHARGE
FULL SUSPENSION SEAT	SUN SHADE
DECK LIFT ASSIST KIT	TRASH CONTAINER
HITCH KIT	TURF STRIPER
LIGHT KIT	ULTRA VAC COLLECTION SYSTEM
12V POWER PORT	ULTRA VAC QUICK DISPOSAL SYSTEM
MICRO-MULCH SYSTEM	

OUT-FRONT RIDING ACCESSORIES AND OPTIONS

CUSTOM RIDE SEAT SUSPENSION SYSTEM	SNOW BLADE
DUAL-TAIL WHEEL	SNOWBLOWER
FLOOR PAN EXTENDER	SUN SHADE
HITCH KIT	TRASH CONTAINER
LIGHT KIT	ULTRA VAC COLLECTION SYSTEM
MICRO-MULCH SYSTEM	ULTRA VAC QUICK DISPOSAL SYSTEM
ROLL OVER PROTECTION SYSTEM (ROPS)	WEATHER CAB

WALK-BEHIND ACCESSORIES AND OPTIONS

GRASS CATCHER	TURF STRIPER
MICRO-MULCH SYSTEM	STANDON

*Some accessories and options not available for some models.

Place Model No. and Serial No.
Label Here (Included in the Literature
Pack) or Fill in Below

Model No. _____

Serial No. _____

Date Purchased _____

Engine Model No. and Spec. No. _____

Engine Serial No. (E/No) _____

© 2013 Exmark Mfg. Co., Inc.
Industrial Park Box 808
Beatrice, NE 68310
All Rights Reserved

Part No. 4501-709 Rev. A
(402)223-6300
Fax (402) 223-5489
Printed in the USA.

