

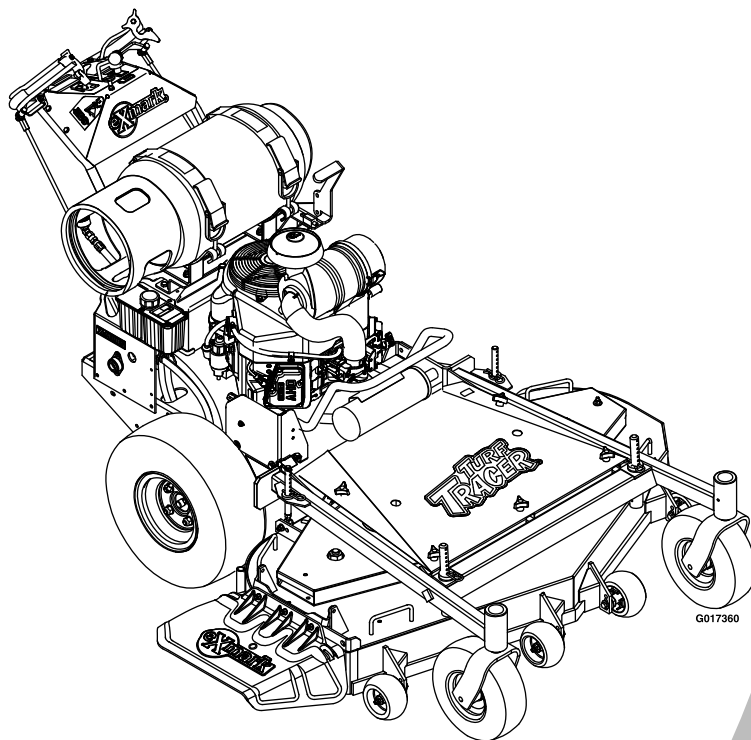


TURF TRACER[®]

X-SERIES

Model No. TTX691PKAE—Serial No. 31200000 and Up

Picture below may not reflect actual product.



Parts Manual

Part No. 4501-054 Rev. A

Ordering Replacement Parts

To order replacement parts, please supply the part number, the quantity, and the description of each part desired.

Understanding Reference Numbers

Each identified part in an illustration has a reference number. The reference number for a part also appears in the parts list, along with other information about the part.

This catalog uses two special reference number formats, one to indicate parts in a service assembly and another to indicate the quantity of a given part in an illustration.

Service Assembly Reference Numbers

Parts in service assemblies have reference numbers in the form a:b. The a represents the reference number of the entire service assembly and the b represents a sequential number unique to each part within the service assembly.

For example, a wheel assembly might be identified by reference number 6, the tire by 6:1, the valve by 6:2, and the wheel by 6:3. When you order the assembly identified by reference number 6, you receive all parts identified by reference numbers 6:1, 6:2, and 6:3. However, you may also order any part individually. Reference numbers of this type appear in illustration and in parts lists.

Reference Numbers Indicating Quantity

In an illustration, if a reference number indicates more than one part, the reference number has the form nX y. The n represents the quantity of the part, the X is the multiplication symbol, and the y represents the reference number.

For example, in an illustration, the reference number 2X 37 means that two of the parts identified by reference number 37 are indicated.

List of Abbreviations

| | | |
|--|--|--|
| AR: as required | HJ: hex jam | PTH: phillips truss head |
| ASM: assembly | HLH: hex lag head | PTO: power-take-off |
| BBC: blade brake control | HOC: height-of-cut | RH: right hand |
| BHTF: button head thread forming | HSBH: hex socket button head | ROPS: roll-over protection system |
| CARR: carriage | HSFH: hex socket flat head | RRB: rear roller brush |
| CCW: counter clockwise | HSH: hex socket head | SFH: slotted fillister head |
| CW: clockwise | HWH: hex washer head | SHH: slotted hex head |
| DEG: degrees | HWHTF: hex washer head thread forming | SHWH: slotted hex washer head |
| DPA: Dual Point Adjustment | HYD: hydraulic | SPH: slotted pan head |
| ECM: electronic control module | LH: left hand | SQH: square head |
| EXT: external | LP: Liquid Propane | SRH: slotted round head |
| FH: flat head | NI: nylon insert | STD: standard |
| GA: gauge | NPTF: national pipe thread fine | TAP: self tapping |
| HD: heavy-duty | PFH: phillips flat head | TTH: torx truss head |
| HF: hex flange | PPH: phillips pan head | |
| HH: hex head | PPHTF: phillips pan head thread forming | |
| HHF: hex head flange | PRH: phillips round head | |
| HHFTF: hex head flange thread forming | | |

Touch Up Paint

Exmark black touch up spray paint – gloss black.

Exmark red touch up paint (spray paint – P/N 1-850337 - .6 oz liquid bottle – P/N 103-9140).



If your Exmark dealer does not have the Exmark part in stock, Exmark will get the parts to the dealer the next business day or the part will be FREE Guaranteed!! (Some restrictions apply. See your participating Exmark Dealer for details.)

Contents

ECS Upper Handles and Controls Assembly 4

Engine Deck Assembly 6

Park Brake and Engine 8

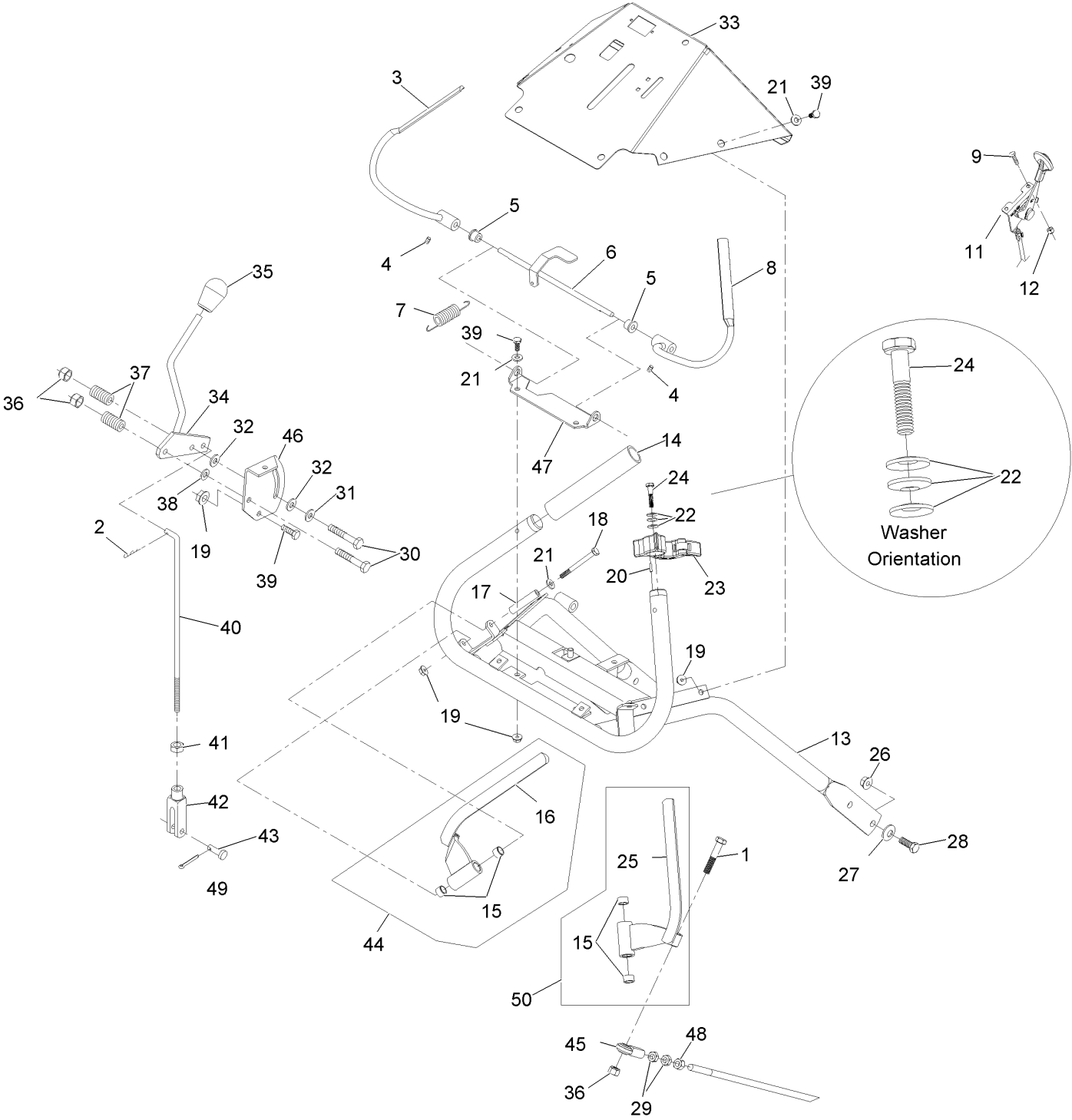
LPG Fuel Assembly 10

Hydraulics Assembly 11

Electrical Assembly 12

Decals 13

ECS Upper Handles and Controls Assembly



ECS Upper Handles and Controls Assembly (continued)

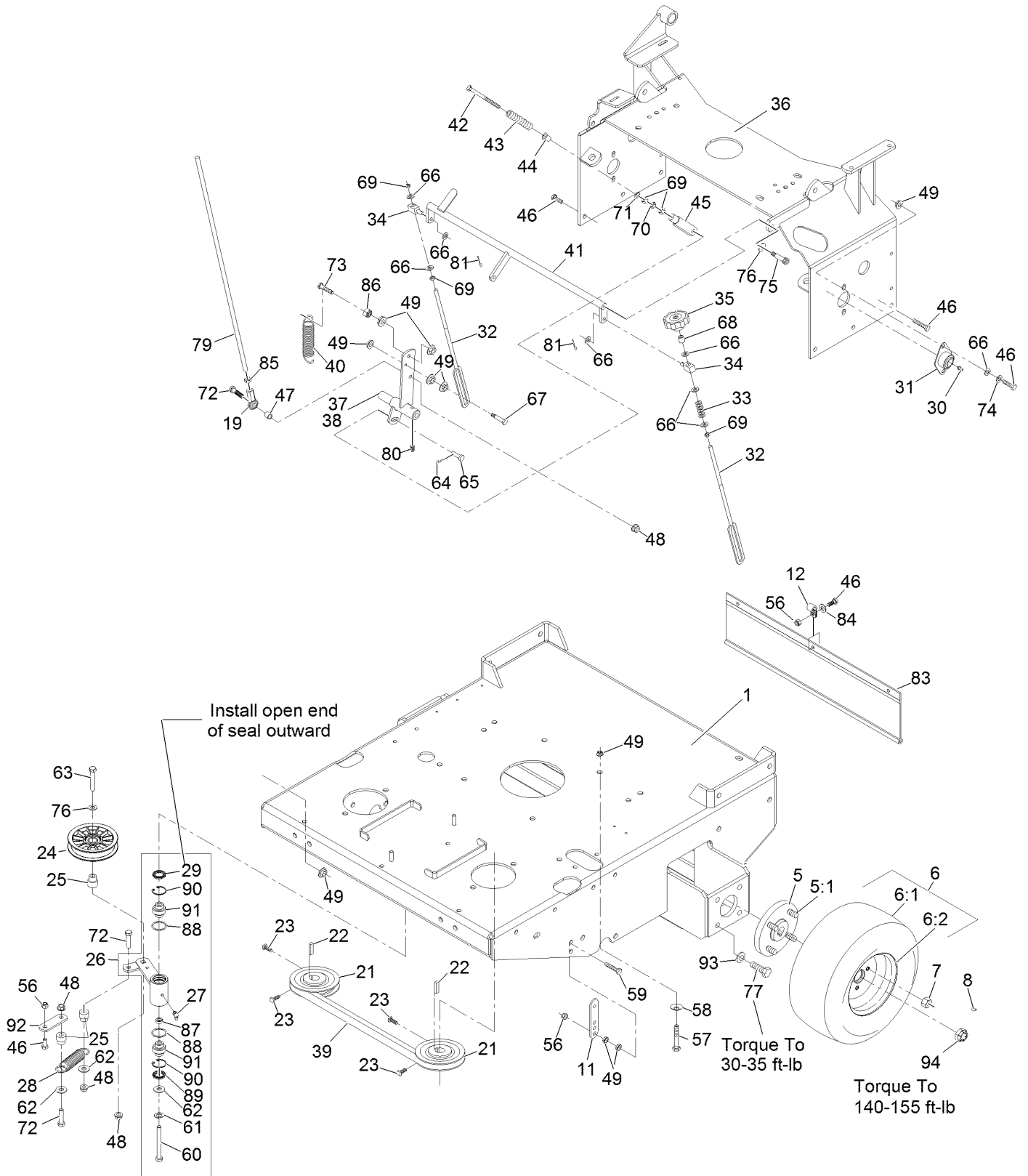
| <i>Ref.</i> | <i>Part Number</i> | <i>Qty.</i> | <i>Description</i> | <i>Ref.</i> | <i>Part Number</i> | <i>Qty.</i> | <i>Description</i> |
|-------------|--------------------|-------------|--------------------------------------|-------------|--------------------|-------------|----------------------------------|
| 1 | 322-9 | 2 | Screw-HH 5/16-18 X 1 3/4 | 25 | 116-4082 | 1 | Lever, Drive RH |
| 2 | 1-806003 | 1 | Hairpin-Cotter | 26 | 3290-357 | 4 | Nut-Whizlock 3/8-16 |
| 3 | 116-4079 | 1 | Wld, Lever, Opc (LH) ▲ | 27 | 98-5975 | 4 | Washer-Spring Disc 3/8 |
| 4 | 1-803322 | 2 | Setscrew-5/16-24 X 5/16 ■ | 28 | 323-6 | 4 | Screw-HH 3/8-16 X 1 |
| 5 | 1-303365 | 2 | Bushing-Nylon | 29 | 3220-3 | 4 | Nut-Jam 3/8-24 |
| 6 | 103-0769-03 | 1 | Wld, Opc Axle Lever | 30 | 322-10 | 2 | Screw-HH 5/16-18 X 2 |
| 7 | 1-303363 | 1 | Spring-Extension | 31 | 1-603716 | 1 | Washer-Friction Disc |
| 8 | 116-4080 | 1 | Wld, Opc Lever (RH) ▲ | 32 | 1-323244 | 2 | Washer-Friction |
| 9 | 1-807513 | 2 | Bolt-Carriage #10-24 X 1/2 | 33 | 116-5095 | 1 | Console 109-4506-03 W/ Decals |
| 11 | 116-2426 | 1 | Cable, Throttle | 34 | 116-4083 | 1 | Wld, Speed Shift |
| 12 | 3296-2 | 2 | Nut-Nyloc #10-24 | 35 | 103-0423 | 1 | Knob-Nyloc 3/8-16 |
| 13 | 103-1537-03 | 1 | Handle Weldmt, Upper Ecs | 36 | 3296-29 | 4 | Nut-Nyloc 5/16-18 |
| 14 | 103-0815 | 2 | Grip-Bar, Handle | 37 | 1-323245 | 2 | Spring-Compression |
| 15 | 1-413152 | 4 | Bushing-Sleeve | 38 | 3256-23 | 1 | Washer-5/16 Sae |
| 16 | 116-4081 | 1 | Lever, Drive LH | 39 | 321-3 | 10 | Screw-HH 1/4-20 X 5/8 |
| 17 | 103-0027 | 2 | Bushing-Lever, Drive | 40 | 1-413225 | 1 | Rod, Speed Control |
| 18 | 321-14 | 2 | Screw-HH 1/4-20 X 2 3/4 | 41 | 3220-2 | 1 | Nut-Jam 5/16-24 |
| 19 | 32128-33 | 12 | Nut-Whizlock 1/4-20 | 42 | 1-303105 | 1 | Yoke-Adjustable |
| 20 | 103-0464 | 2 | Pin-Spring 1/8 X 1/2 | 43 | 1-808280 | 1 | Pin-Clevis 5/16 X 1 49/64 |
| 21 | 3256-22 | 10 | Washer-1/4 Sae | 44 | 103-2514 | 1 | Asm, Drive Lever LH |
| 22 | 1-303435 | 6 | Washer-Spring Disc 1/4 | 45 | 103-2463 | 2 | Balljoint |
| 23 | 103-1371 | 1 | Thumb Latch Asm RH(Shown) | 46 | 103-0503 | 1 | Bracket, Shifter Slide |
| 23 | 103-1372 | 1 | Thumb Latch Asm LH(Not Shown) ● | 47 | 103-0489-03 | 1 | Bracket, Opc Axle |
| 24 | 103-0235 | 2 | Screw-HH 1/4-20 X 1 1/8 W/Nylon ■ | 48 | 3219-3 | 2 | Nut-Hex 3/8-24 |
| | | | | 49 | 3272-5 | 1 | Pin-Cotter 3/32 X 1/2 |
| | | | | 50 | 103-2513 | 1 | Asm, Drive Lever RH |

● Not illustrated

■ Use Pro-Lock, Nut Type (P/N 1-840022, .5ml tube) on threads.

▲ Use Pro-Lock retaining type, Part no. 1-840023 (.5cc tube) on inside of bore of OPC hub.

Engine Deck Assembly



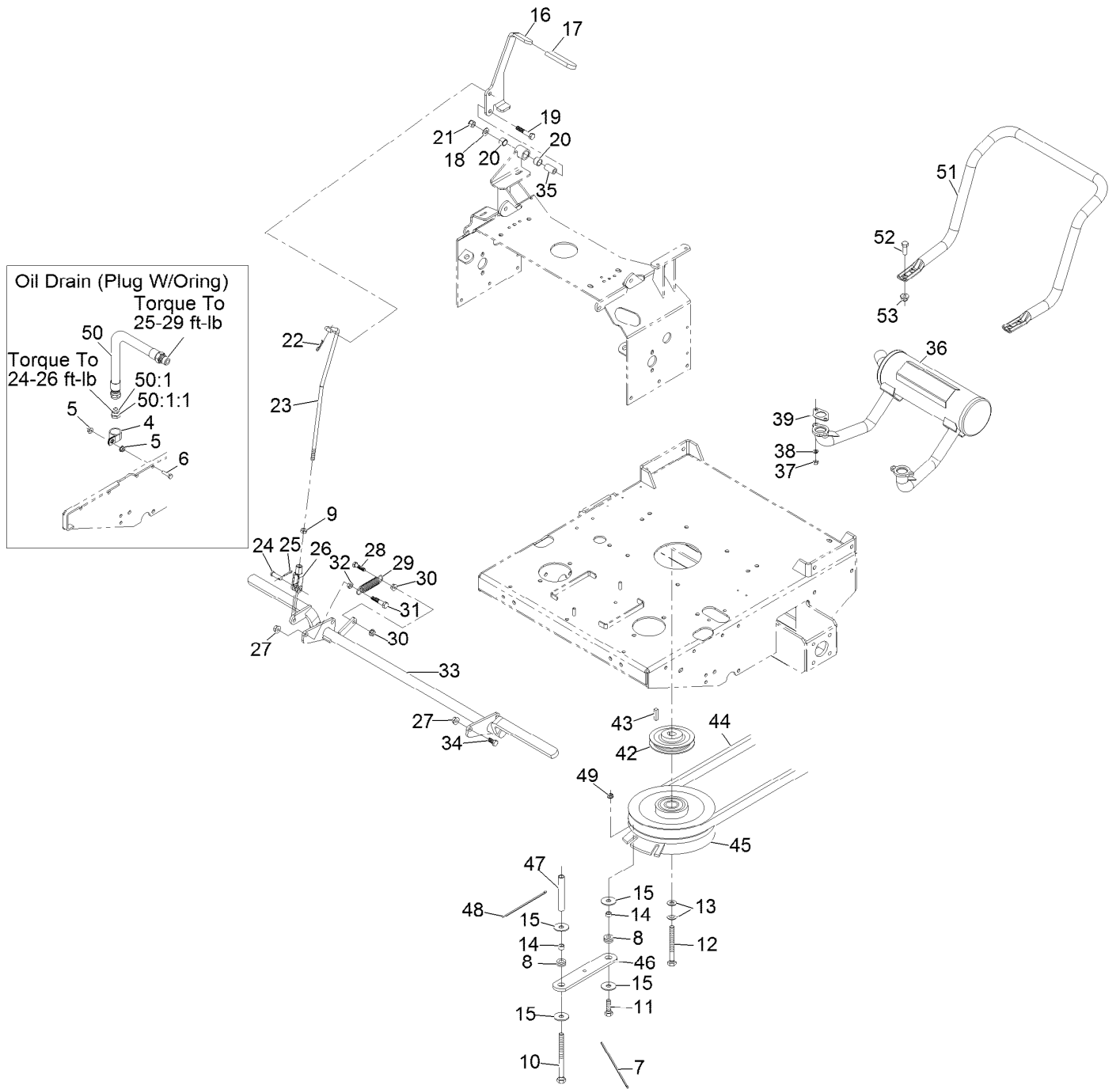
Engine Deck Assembly (continued)

| <i>Ref.</i> | <i>Part Number</i> | <i>Qty.</i> | <i>Description</i> | <i>Ref.</i> | <i>Part Number</i> | <i>Qty.</i> | <i>Description</i> |
|-------------|--------------------|-------------|-------------------------------------|-------------|--------------------|-------------|------------------------------------|
| 1 | 116-6130 | 1 | Eng Deck (116-6082-01) W/ Decals | 49 | 32128-20 | 23 | Nut-Whizlock 5/16-18 |
| 5 | 1-602997 | 2 | Hub ASM W/Studs | 56 | 3296-29 | 6 | Nut-Nyloc 5/16-18 |
| 5:1 | 1-633926 | 8 | Stud-Wheel | 57 | 323-7 | 4 | Screw-HH 3/8-16 X 1 1/4 |
| 6 | 103-1715 | 2 | Tire And Wheel Assy | 58 | 98-5975 | 4 | Washer-Spring Disc 3/8 |
| 6:1 | 103-2237 | 2 | Tire | 59 | 1-800016 | 2 | Bolt-HH 5/16-18 X 1 1/4 Tap |
| 6:2 | 103-2238 | 2 | Wheel Only | 60 | 1-800805 | 1 | Screw-HH 3/8-16 X 3-1/2 Gr8 ■ |
| 7 | 242-50 | 8 | Nut-Lug 1/2-20 | 61 | 3253-5 | 1 | Washer-Lock 3/8 Heavy |
| 8 | 1-807019 | 2 | Key-Woodruff 1 X 1/4 | 62 | 3256-4 | 3 | Washer-3/8 Std |
| 11 | 1-613089 | 2 | Tab-Spring, Extension | 63 | 323-9 | 1 | Screw-HH 3/8-16 X 1 3/4 |
| 12 | 1-413510 | 3 | Clip-Loom | 64 | 1-806003 | 2 | Hairpin-Cotter |
| 19 | 103-1167 | 2 | Joint-Ball End, .38X.38Fe LH | 65 | 1-808280 | 2 | Pin-Clevis 5/16 X 1 49/64 |
| 21 | 1-413010 | 2 | Sheave ASM | 66 | 3256-23 | 11 | Washer-5/16 Sae |
| 22 | 1-807272 | 2 | Key-5Mm X 5Mm X 25Mm | 67 | 1-403180 | 2 | Screw-HH 5/16-18 X 1 1/4 Sp |
| 23 | 1-803050 | 4 | Setscrew-5/16-18 X 3/4 ■ | 68 | 1-603903 | 1 | Spacer |
| 24 | 109-4077 | 1 | Pulley-Idler, Flat | 69 | 3219-2 | 7 | Nut-Hex 5/16-24 |
| 25 | 1-603496 | 3 | Bushing-Idler | 70 | 3220-2 | 2 | Nut-Jam 5/16-24 |
| 26 | 109-2578 | 1 | Kit, Idler Arm W/Bearings | 71 | 3256-2 | 2 | Washer-1/4 Std |
| 27 | 302-40 | 1 | Zerk-90° 1/4-28 | 72 | 323-8 | 4 | Screw-HH 3/8-16 X 1 1/2 |
| 28 | 1-603414 | 1 | Spring-Extension | 73 | 116-3515 | 2 | Screw,HH Special 5/16-18 X 1.25 |
| 29 | 103-3506 | 1 | Seal-Single Lip | 74 | 1-805005 | 4 | Washer-Lock 5/16 Heavy |
| 30 | 302-19 | 2 | Zerk-1/4-28 Str | 75 | 1-809056 | 2 | Screw-Sh 5/16-18 X 1 3/8 ■ |
| 31 | 1-633102 | 2 | Bearing-Flanged | 76 | 3256-24 | 3 | Washer-3/8 Sae |
| 32 | 1-613206 | 2 | Rod, Control Arm | 77 | 323-6 | 8 | Screw-HH 3/8-16 X 1 |
| 33 | 1-323245 | 1 | Spring-Compression | 79 | 103-1576 | 2 | Rod, Drive Lever |
| 34 | 1-603676 | 2 | Swivel-Adjustable, Short | 80 | 1-803022 | 2 | Setscrew-5/16-18 X 5/8 ■ |
| 35 | 103-3060 | 1 | Knob-Tracking | 81 | 3272-5 | 2 | Pin-Cotter 3/32 X 1/2 |
| 36 | 116-1792-01 | 1 | Support, Tank/Handle | 83 | 103-2224 | 1 | Shield, Drag |
| 37 | 103-1561-01 | 1 | Arm, Control LH | 84 | 3256-3 | 3 | Washer-5/16 Std |
| 38 | 103-1562-01 | 1 | Arm, Control RH ● | 85 | 3220-16 | 2 | Nut-Jam 3/8-24 LH |
| 39 | 109-2584 | 1 | Belt, Hyd Trans Drive (a Belt) | 86 | 3218-2 | 2 | Nut-Jam 5/16-18 |
| 40 | 1-603693 | 2 | Spring | 87 | 103-5677 | 1 | Spacer |
| 41 | 103-2234-01 | 1 | Crank Weldment | 88 | 106-7159 | 2 | O-Ring |
| 42 | 1-603737 | 2 | Bolt-Neutral Return | 89 | 103-3505 | 1 | Seal-Double Lip |
| 43 | 103-0265 | 2 | Spring, Neutral Return | 90 | 32120-10 | 2 | Ring-Retaining |
| 44 | 1-603735 | 2 | Bushing-Flanged | 91 | 103-3504 | 2 | Bearing-Spherical |
| 45 | 1-303105 | 2 | Yoke-Adjustable | 92 | 1-633068 | 1 | Arm-Lift, Deck |
| 46 | 322-3 | 14 | Screw-HH 5/16-18 X 3/4 | 93 | 98-5975 | 8 | Washer-Spring Disc 3/8 |
| 47 | 103-2421 | 2 | Tube, Pump Link Spacer | 94 | 116-2839 | 2 | Nut-Lock |
| 48 | 3290-357 | 6 | Nut-Whizlock 3/8-16 | | | | |

● Not illustrated

■ Use Pro-Lock, Nut Type (P/N 1-840022, .5ml tube) on threads.

Park Brake and Engine



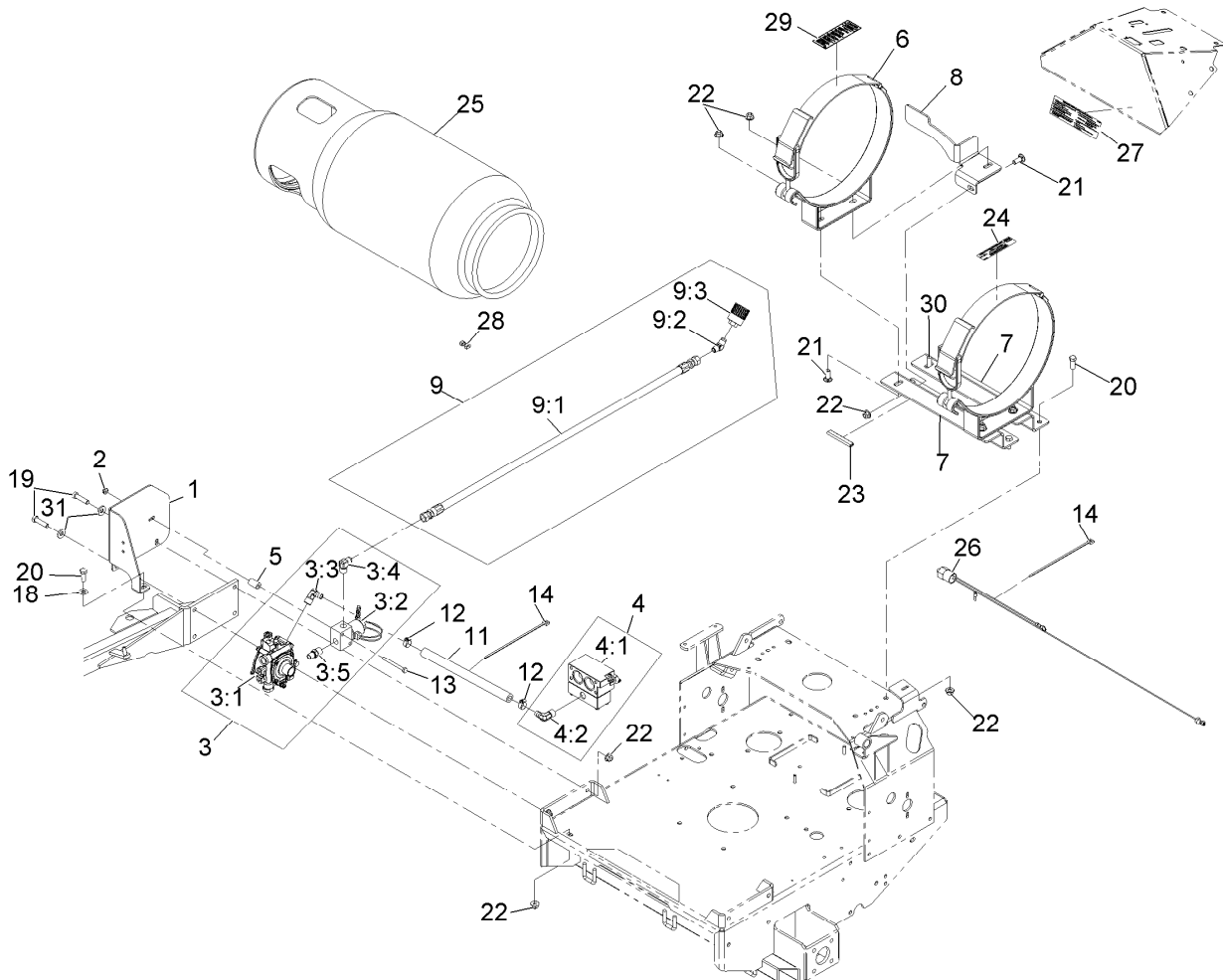
Park Brake and Engine (continued)

| <i>Ref.</i> | <i>Part Number</i> | <i>Qty.</i> | <i>Description</i> | <i>Ref.</i> | <i>Part Number</i> | <i>Qty.</i> | <i>Description</i> |
|-------------|--------------------|-------------|--|-------------|--------------------|-------------|--------------------------------|
| 4 | 1-643312 | 1 | Clip-Loom | 29 | 1-323161 | 1 | Spring |
| 5 | 32128-33 | 2 | Nut-Whizlock 1/4-20 | 30 | 32128-20 | 6 | Nut-Whizlock 5/16-18 |
| 6 | 321-6 | 1 | Screw-HH 1/4-20 X 1 | 31 | 323-9 | 1 | Screw-HH 3/8-16 X 1 3/4 |
| 7 | 1-303335 | 1 | Tie-Cable 7 15/16 (Large) | 32 | 3218-3 | 1 | Nut-Jam 3/8-16 |
| 8 | 1-633630 | 2 | Grommet | 33 | 103-2205-03 | 1 | Brake Weldmt |
| 9 | 3220-3 | 1 | Nut-Jam 3/8-24 | 34 | 323-4 | 3 | Screw-HH 3/8-16 X 3/4 |
| 10 | 322-38 | 1 | Screw-HH | 35 | 1-413344 | 1 | Bushing-Pivot |
| 11 | 322-6 | 1 | Screw-HH 5/16-18 X 1 1/4 | 36 | 116-3736 | 1 | Muffler |
| 12 | 3212-12 | 1 | Screw-HH 7/16-20 X 3 ▲ | 37 | 114-3549 | 2 | Nut-M8 |
| 13 | 1-603610 | 2 | Washer-Spring Disc 7/16 | 38 | 114-3550 | 2 | Washer-Lock, Spring |
| 14 | 1-633545 | 2 | Spacer | 39 | 1-653313 | 2 | Gasket-Exhaust |
| 15 | 1-613235 | 4 | Washer | 42 | 1-653035 | 1 | Pulley ● |
| 16 | 116-5090 | 1 | Lever, Park Brake (116-1248-03) W/Decal & Grip | 43 | 1-807259 | 1 | Key-Machine 1/4 X 1/4 X 1 |
| 17 | 1-303020 | 1 | Grip-Lever | 44 | 103-2240 | 1 | Belt, Deck Drive(52) |
| 18 | 3256-24 | 1 | Washer-3/8 Sae | 44 | 1-603306 | 1 | Belt, Deck Drive(60) |
| 19 | 322-10 | 1 | Screw-HH 5/16-18 X 2 | 45 | 103-0662 | 1 | Clutch ASM |
| 20 | 1-413347 | 2 | Sleeve-Bushing | 46 | 1-633543-03 | 1 | Strap-Clutch, Brake |
| 21 | 3296-39 | 1 | Nut-Nyloc 3/8-16 | 47 | 1-323195-03 | 1 | Standoff, Clutch |
| 22 | 1-806003 | 1 | Hairpin-Cotter | 48 | 1-303287 | 1 | Tie-Cable 5 1/2 (Small) |
| 23 | 109-4078 | 1 | Linkage, Park Brake | 49 | 32128-20 | 1 | Nut-Whizlock 5/16-18 |
| 24 | 1-808285 | 1 | Pin-Clevis 3/8 X 1 1/8 | 50 | 116-4924 | 1 | Asm-Hose Oil Drain W/Plug ■ |
| 25 | 3272-10 | 1 | Pin-Cotter 1/8 X 3/4 | 50:1 | 353-508 | 1 | Plug-W/O-Ring |
| 26 | 1-633131 | 1 | Yoke-Linkage, Brake | 50:1:1 | 237-42 | 1 | O-Ring |
| 27 | 3290-357 | 4 | Nut-Whizlock 3/8-16 | 51 | 116-6278-03 | 1 | Tube, Muffler Guard |
| 28 | 116-3515 | 1 | Screw,HH Special 5/16-18 X 1.25 | 52 | 323-6 | 4 | Screw-HH 3/8-16 X 1 |
| | | | | 53 | 104-8301 | 4 | Nut-Nyloc 3/8-16 Flg |

● Install sheave with long end of hub up.

■ Use a Teflon Pipe Sealant or equivalent on threads.

▲ Use Pro-Lock, Nut Type (P/N 1-840022, .5ml tube) on threads.

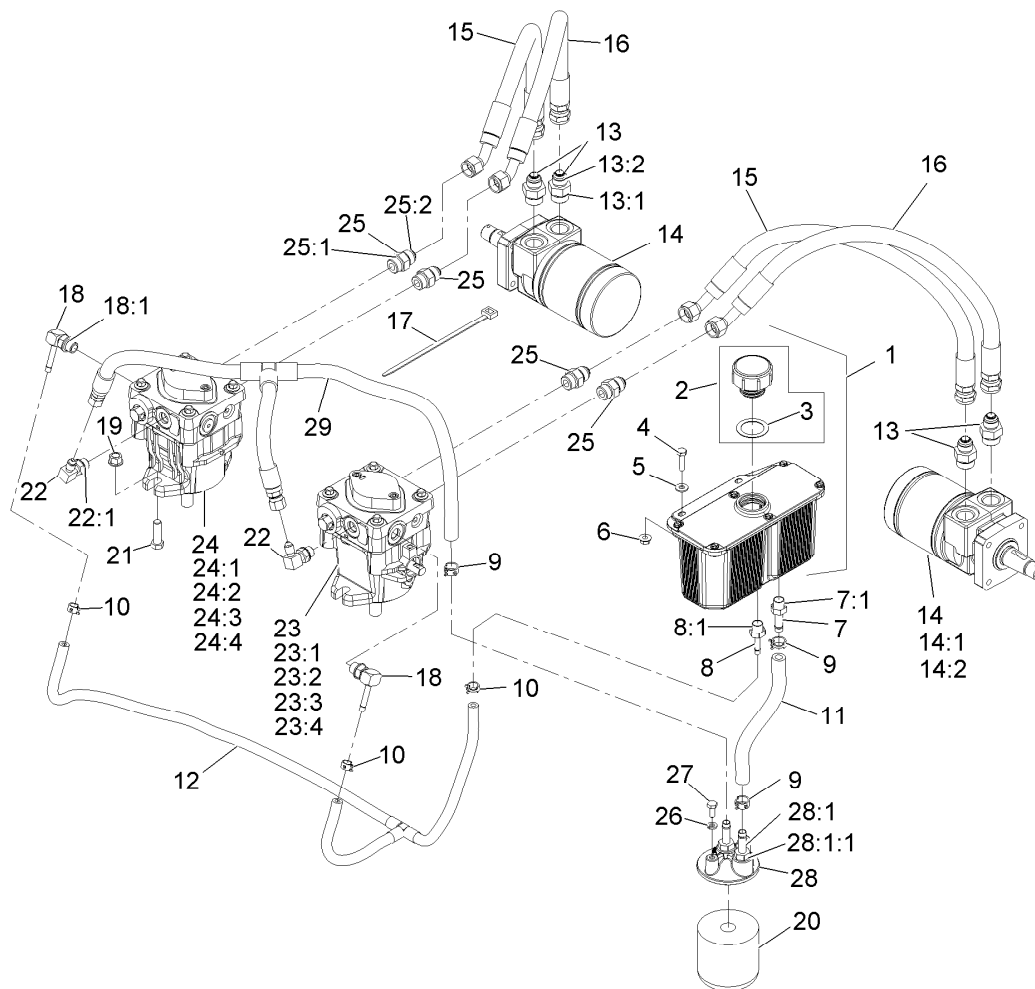


LPG Fuel Assembly

| Ref. | Part Number | Qty. | Description | Ref. | Part Number | Qty. | Description |
|------|-------------|------|-------------------------------------|------|-------------|------|--------------------------------|
| 1 | 116-3623-01 | 1 | Mount, Regulator Lpg | 12 | 97-1271 | 2 | Clamp-Hose |
| 2 | 104-7201 | 1 | Nut-Nyloc 1/4-20 Flg | 13 | 321-14 | 1 | Screw-HH 1/4-20 X 2 3/4 |
| 3 | | 1 | Asm, Reg And Shutoff ■ | 14 | 1-303335 | 2 | Tie-Cable 7 15/16 (Large) |
| 3:1 | 116-2567 | 1 | Regulator-LP, T60 | 18 | 3256-24 | 1 | Washer-3/8 Sae |
| 3:2 | 116-2830 | 1 | LP Solenoid Valve ASM | 19 | 323-8 | 2 | Screw-HH 3/8-16 X 1 1/2 |
| 3:3 | 116-1127 | 1 | Elbow-90° | 20 | 323-6 | 5 | Screw-HH 3/8-16 X 1 |
| 3:4 | 116-4184 | 1 | Elbow, 90° | 21 | 3231-22 | 4 | Bolt-Carriage 3/8-16 X 1 |
| 3:5 | 93-1347 | 1 | Coupling-Pipe, Male | 22 | 104-8301 | 12 | Nut-Nyloc 3/8-16 Flg |
| 4 | | 1 | Asm, Mixer ■ | 23 | 105-7699 | 1 | Strip-Seal |
| 4:1 | 116-4264 | 1 | Mixer | 24 | 109-9849 | 1 | Decal, Lpg Tank Spec |
| 4:2 | 116-1127 | 1 | Elbow-90° | 25 | 109-9674 | 1 | Tank, Lpg 33Lb |
| 5 | 94-7564 | 1 | Spacer | 26 | 116-1497 | 1 | Asm, Lpg Oil Pressure Switch |
| 6 | 116-1074 | 1 | Bracket, Lpg Tank-Horizontal (Pair) | 27 | 109-9906 | 1 | Decal-Tank Replacement |
| 7 | 116-1088-03 | 2 | Riser, Lpg Tank | 28 | 32170-061 | 1 | Recept, Fem, .250, Insul. |
| 8 | 116-1089-03 | 1 | Bracket, Lpg Tank Index | 29 | 109-9875 | 1 | Decal,Lpg Warning |
| 9 | | 1 | Asm, Lpg Fuel Hose ■ | 30 | 3231-25 | 1 | Bolt-Carriage 3/8-16 X 1 1/4 |
| 9:1 | 116-1454 | 1 | Hose, Lpg 22.5 | 31 | 98-5975 | 2 | Washer-Spring Disc 3/8 |
| 9:2 | 116-1055 | 1 | Elbow-45° | 99 | 116-1456 | 1 | O-Ring, Lpg Connector ● |
| 9:3 | 116-1073 | 1 | Connector, Lpg Tank | 99 | 116-1457 | 1 | Washer, Rubber Lpg Connector ● |
| 11 | 116-4188 | 1 | Hose, Lpg 1/2" X 13.00 | | | | |

● Not illustrated

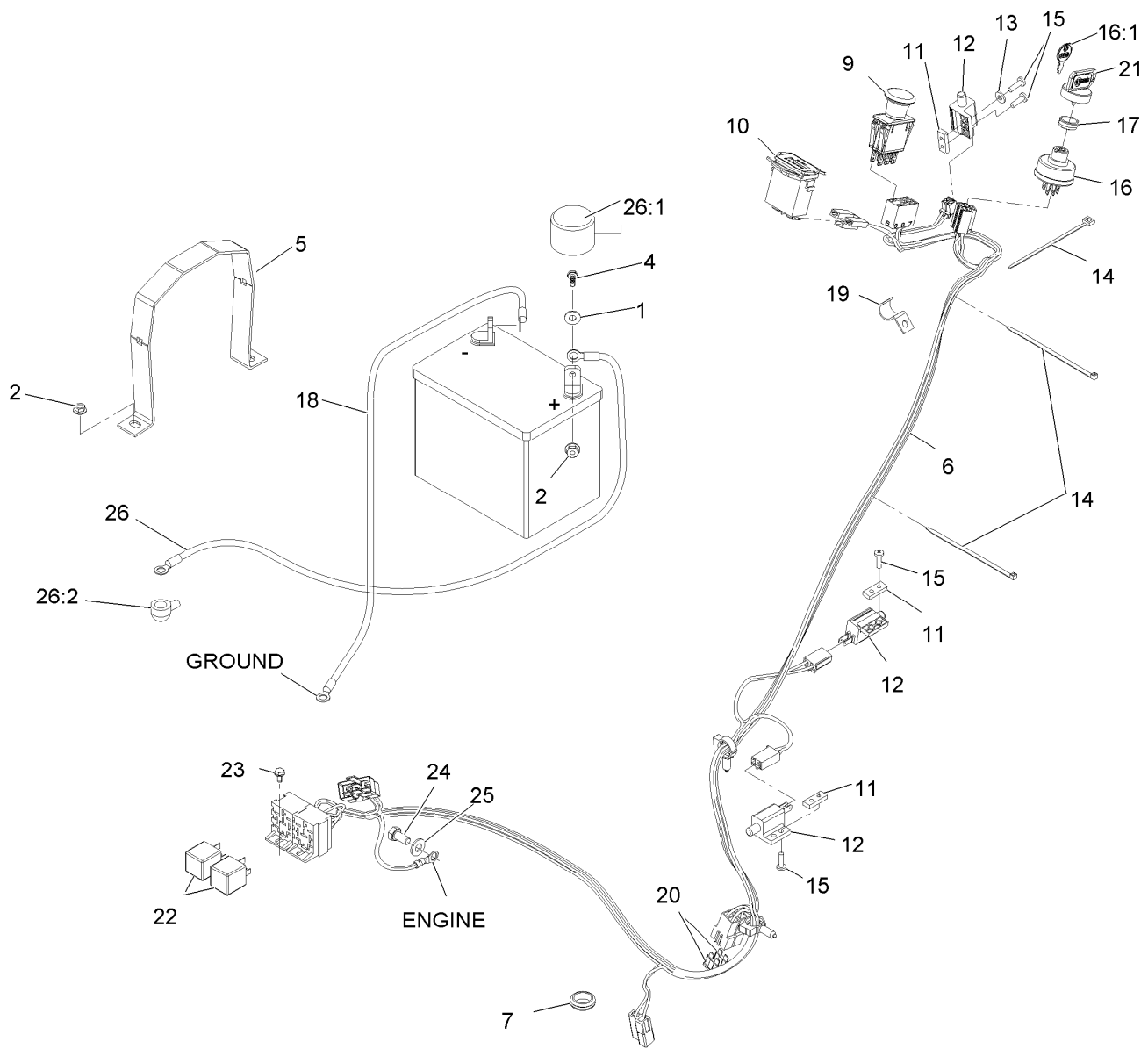
■ Not serviced separately



Hydraulics Assembly

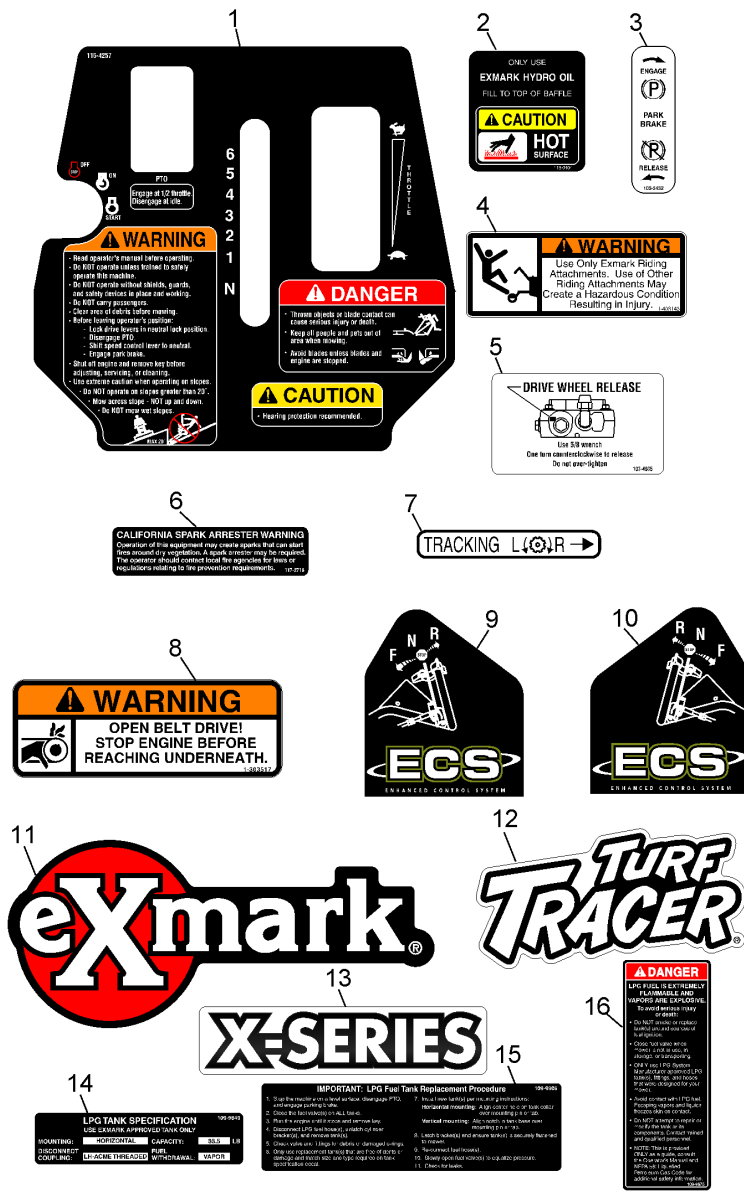
| Ref. | Part Number | Qty. | Description | Ref. | Part Number | Qty. | Description |
|------|-------------|------|---------------------------|--------|-------------|------|---------------------------------|
| 1 | 103-1947 | 1 | HYD Reservoir ASM | 20 | 109-4180 | 1 | Filter,25 Micron Bi-Directional |
| 2 | 103-7615 | 1 | Asm, Cap W/Gasket | 20 | 1-523541 | 1 | Element, Oil Filter(Winter)● |
| 3 | 103-1949 | 1 | Gasket-Cap | 21 | 323-7 | 4 | Screw-HH 3/8-16 X 1 1/4 |
| 4 | 321-6 | 2 | Screw-HH 1/4-20 X 1 | 22 | 103-1802 | 2 | Fitting-HYD, 90 DEG |
| 5 | 3256-22 | 2 | Washer-1/4 Sae | 22:1 | 1-603921 | 1 | O-Ring-Sae #6 |
| 6 | 32128-33 | 2 | Nut-Whizlock 1/4-20 | 23 | 116-2495 | 1 | Pump, Hydro RH |
| 7 | 103-1912 | 1 | Adapter-Straight | 23:1 | 103-2664 | 1 | Input Shaft Kit |
| 7:1 | 1-603921 | 1 | O-Ring-Sae #6 | 23:2 | 94-6922 | 1 | Bearing-Thrust |
| 8 | 103-1801 | 1 | Adapter-Straight | 23:3 | 103-2666 | 1 | Cylinder Block Kit |
| 8:1 | 1-603921 | 1 | O-Ring-Sae #6 | 23:4 | 105-6184 | 1 | Seal Overhaul Kit |
| 9 | 103-1988 | 3 | Clamp-Hose 11/16 | 24 | 116-2494 | 1 | Pump, Hydro LH |
| 10 | 103-1716 | 3 | Clamp-Hose 17/32 | 24:1 | 103-2664 | 1 | Input Shaft Kit |
| 11 | 109-1010 | 1 | Hose, Charge | 24:2 | 94-6922 | 1 | Bearing-Thrust |
| 12 | 103-4607 | 1 | Asm, Case Drain Hose | 24:3 | 103-2666 | 1 | Cylinder Block Kit |
| 13 | 1-603991 | 4 | Adapter-Straight | 24:4 | 105-6184 | 1 | Seal Overhaul Kit |
| 13:1 | 1-603919 | 1 | O-Ring-Sae #10 | 25 | 1-603990 | 4 | Adapter-Straight |
| 13:2 | 1-603992 | 1 | O-Ring-37 Flare #8 | 25:1 | 1-603920 | 1 | O-Ring-Sae #8 |
| 14 | 1-603718 | 2 | HYD Motor ASM | 25:2 | 1-603992 | 1 | O-Ring-37 Flare #8 |
| 14:1 | 1-000119 | 1 | Seal Kit | 26 | 1-805004 | 2 | Washer-Lock 1/4 Heavy |
| 14:2 | 1-000138 | 1 | Bearing And Seal Kit | 27 | 321-3 | 2 | Screw-HH 1/4-20 X 5/8 |
| 15 | 103-4609 | 2 | Hose, Hydro | 28 | 103-2889 | 1 | Filter Head ASM |
| 16 | 103-4610 | 2 | Hose, Hydro | 28:1 | 103-1912 | 2 | Adapter-Straight |
| 17 | 1-303335 | 1 | Tie-Cable 7 15/16 (Large) | 28:1:1 | 1-603921 | 1 | O-Ring-Sae #6 |
| 18 | 103-1799 | 2 | Elbow-90 DEG | 29 | 103-4608 | 1 | Asm, Charge Hose |
| 18:1 | 1-603921 | 1 | O-Ring-Sae #6 | | | | |
| 19 | 32128-43 | 4 | Nut-Whizlock 3/8-16 | | | | |

● Use only for operation below 32°F (0°C).



Electrical Assembly

| Ref. | Part Number | Qty. | Description | Ref. | Part Number | Qty. | Description |
|------|-------------|------|---------------------------|------|-------------|------|----------------------------|
| 1 | 3256-2 | 2 | Washer-1/4 Std | 16:1 | 1-603511 | 1 | Key-Ignition |
| 2 | 32128-33 | 4 | Nut-Whizlock 1/4-20 | 17 | 103-0498 | 1 | Nut-Ignition |
| 4 | 321-4 | 2 | Screw-HH 1/4-20 X 3/4 | 18 | 1-543767 | 1 | Wire-Ground |
| 5 | 1-603814-03 | 1 | Strap, Battery Holddown | 19 | 103-1193 | 2 | Clip-Loom Half |
| 6 | 116-2561 | 1 | Harness, Wiring | 20 | 1-816001 | 2 | Fuse-Blade Type, 20 Amp |
| 7 | 1-543286 | 1 | Grommet | 21 | 103-2106 | 1 | Key-Exmark Logo |
| 9 | 103-5221 | 1 | Switch-PTO | 22 | 1-643275 | 2 | Relay-12Vdc 40 Amp |
| 10 | 1-513374 | 1 | Meter-Engine Hours | 23 | 104-2065 | 2 | Screw-HWH #10-24 X 3/8 |
| 11 | 1-633181 | 3 | Plate-Tapped | 24 | 33114-016 | 1 | Screw-HH M8-1.25 X 16Mm |
| 12 | 1-513051 | 3 | Switch-N.O. | 25 | 33094-00 | 1 | Washer |
| 13 | 3256-14 | 1 | Washer-#10 Std | 26 | 109-7630 | 1 | Positive Battery Cable ASM |
| 14 | 1-303335 | 3 | Tie-Cable 7 15/16 (Large) | 26:1 | 109-2407 | 1 | Insulator-Battery |
| 15 | 3290-500 | 6 | Screw-PPH #10-24 X 5/8 | 26:2 | 1-543393 | 1 | Insulator-Solenoid |
| 16 | 103-0206 | 1 | Switch-Ignition W/Keys | | | | |



Decals

| Ref. | Part Number | Qty. | Description |
|------|-------------|------|----------------------------|
| 1 | 116-4257 | 1 | Decal, Console Ecs |
| 2 | 116-0404 | 1 | Decal-Hydraulic Tank |
| 3 | 103-2432 | 1 | Decal, Park Brake |
| 4 | 1-403143 | 1 | Decal, Sulky Warning |
| 5 | 103-4935 | 1 | Decal, Drive Wheel Release |
| 6 | 117-2718 | 1 | Decal-Arrester, Spark |
| 7 | 1-413214 | 1 | Decal, Tracking |
| 8 | 1-303517 | 1 | Decal,Belt Drive |
| 9 | 103-2242 | 1 | Decal, LH Ecs Instruction |

| Ref. | Part Number | Qty. | Description |
|------|-------------|------|---------------------------|
| 10 | 103-2243 | 1 | Decal, RH Ecs Instruction |
| 11 | 103-2882 | 1 | Decal,Exmark Logo |
| 12 | 103-3013 | 1 | Decal-Turf Tracer |
| 13 | 116-3883 | 2 | Decal-X-Series |
| 14 | 109-9849 | 1 | Decal, Lpg Tank Spec |
| 15 | 109-9906 | 1 | Decal-Tank Replacement |
| 16 | 109-9875 | 1 | Decal,Lpg Warning |
| 99 | 103-5828 | 1 | Kit-Decal ● |

● Not illustrated

Notes:

EXMARK® MAINTENANCE

MAXIMIZE THE PERFORMANCE OF YOUR EXMARK.

4-CYCLE PREMIUM ENGINE OIL

Part No. 116-3373

Both SAE 30 and SAE 10W-30 in one bottle.

Contains increased levels of zinc and phosphorus for better lubricity.

No Viscosity Index Improvers that tend to shear down in high heat.

Synthetic formulation.

Gas & Diesel compatible.

Anti-corrosion additives.

API 'SL' and JASO rated with wet clutch compatibility for other machines.

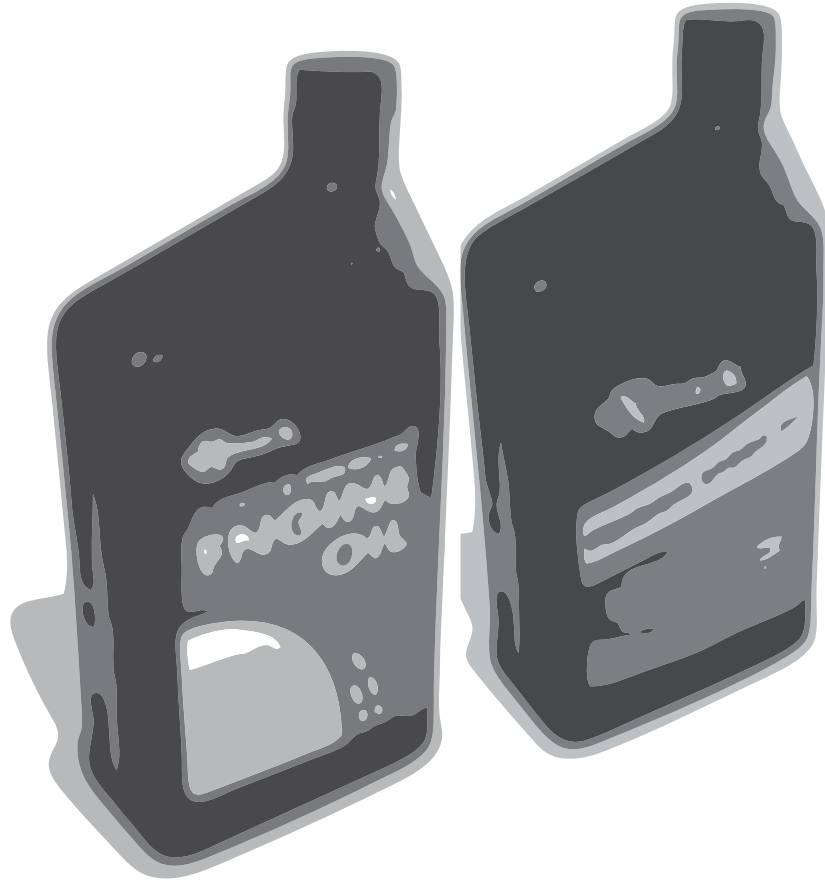
PREMIUM HYDRO OIL

Part No. 109-9828

Commercial quality for tough, high-heat conditions.

Designed specifically for zero-turn mower hydraulic systems.

Superior shear resistance under heavy loads.



Available from your local Exmark dealer. Find your closest dealer at exmark.com

EXMARK ACCESSORIES AND OPTIONS*

MID-MOUNT RIDING ACCESSORIES AND OPTIONS

| | |
|------------------------------------|---------------------------------|
| CUSTOM RIDE SEAT SUSPENSION SYSTEM | OPERATOR CONTROLLED DISCHARGE |
| FULL SUSPENSION SEAT | SUN SHADE |
| DECK LIFT ASSIST KIT | TRASH CONTAINER |
| HITCH KIT | TURF STRIPER |
| LIGHT KIT | ULTRA VAC COLLECTION SYSTEM |
| 12V POWER PORT | ULTRA VAC QUICK DISPOSAL SYSTEM |
| MICRO-MULCH SYSTEM | |

OUT-FRONT RIDING ACCESSORIES AND OPTIONS

| | |
|------------------------------------|---------------------------------|
| CUSTOM RIDE SEAT SUSPENSION SYSTEM | SNOW BLADE |
| DUAL-TAIL WHEEL | SNOWBLOWER |
| FLOOR PAN EXTENDER | SUN SHADE |
| HITCH KIT | TRASH CONTAINER |
| LIGHT KIT | ULTRA VAC COLLECTION SYSTEM |
| MICRO-MULCH SYSTEM | ULTRA VAC QUICK DISPOSAL SYSTEM |
| ROLL OVER PROTECTION SYSTEM (ROPS) | WEATHER CAB |

WALK-BEHIND ACCESSORIES AND OPTIONS

| | |
|--------------------|--------------|
| GRASS CATCHER | TURF STRIPER |
| MICRO-MULCH SYSTEM | STANDON |

*Some accessories and options not available for some models.

Place Model No. and Serial No.
Label Here (Included in the Literature
Pack) or Fill in Below

Model No. _____

Serial No. _____

Date Purchased _____

Engine Model No. and Spec. No. _____

Engine Serial No. (E/No) _____

© 2011 Exmark Mfg. Co., Inc.
Industrial Park Box 808
Beatrice, NE 68310
All Rights Reserved

Part No. 4501-054 Rev. A
(402) 223-6300
Fax (402) 223-5489
Printed in the USA.

