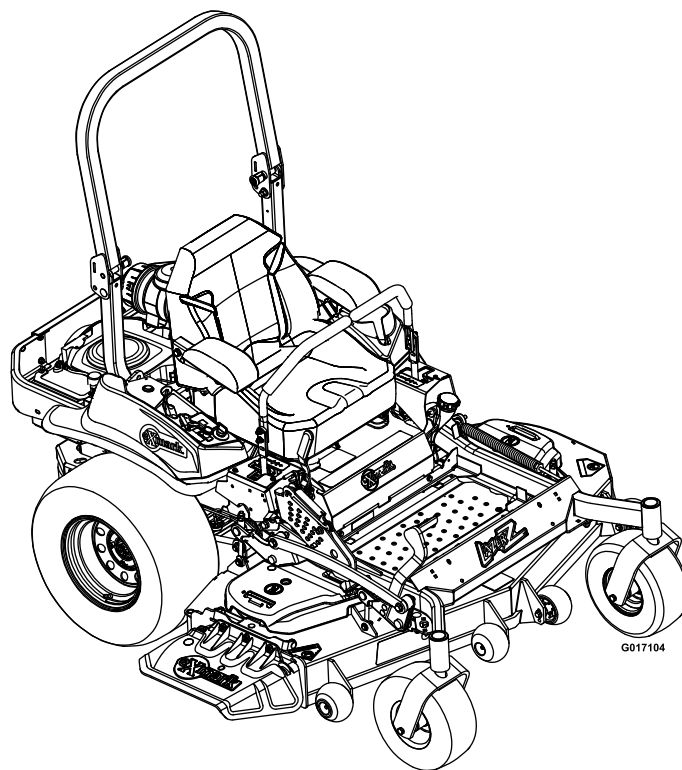




LAZER Z[®] X-SERIES

Model No. LZX940KC726—Serial No. 31200000 and Up

Picture below may not reflect actual product.



Parts Manual

Ordering Replacement Parts

To order replacement parts, please supply the part number, the quantity, and the description of each part desired.

Understanding Reference Numbers

Each identified part in an illustration has a reference number. The reference number for a part also appears in the parts list, along with other information about the part.

This catalog uses two special reference number formats, one to indicate parts in a service assembly and another to indicate the quantity of a given part in an illustration.

Service Assembly Reference Numbers

Parts in service assemblies have reference numbers in the form a:b. The a represents the reference number of the entire service assembly and the b represents a sequential number unique to each part within the service assembly.

For example, a wheel assembly might be identified by reference number 6, the tire by 6:1, the valve by 6:2, and the wheel by 6:3. When you order the assembly identified by reference number 6, you receive all parts identified by reference numbers 6:1, 6:2, and 6:3. However, you may also order any part individually. Reference numbers of this type appear in illustration and in parts lists.

Reference Numbers Indicating Quantity

In an illustration, if a reference number indicates more than one part, the reference number has the form nX y. The n represents the quantity of the part, the X is the multiplication symbol, and the y represents the reference number.

For example, in an illustration, the reference number 2X 37 means that two of the parts identified by reference number 37 are indicated.

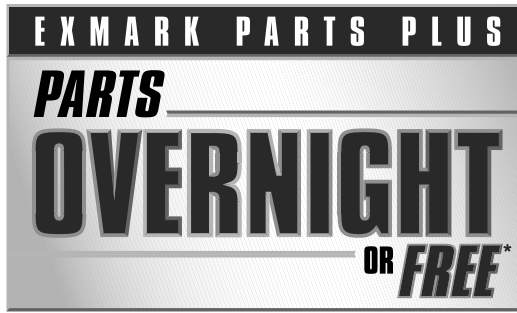
List of Abbreviations

| | | |
|--|--|--|
| AR: as required | HJ: hex jam | PTH: phillips truss head |
| ASM: assembly | HLH: hex lag head | PTO: power-take-off |
| BBC: blade brake control | HOC: height-of-cut | RH: right hand |
| BHTF: button head thread forming | HSBH: hex socket button head | ROPS: roll-over protection system |
| CARR: carriage | HSFH: hex socket flat head | RRB: rear roller brush |
| CCW: counter clockwise | HSH: hex socket head | SFH: slotted fillister head |
| CW: clockwise | HWH: hex washer head | SHH: slotted hex head |
| DEG: degrees | HWHTF: hex washer head thread forming | SHWH: slotted hex washer head |
| DPA: Dual Point Adjustment | HYD: hydraulic | SPH: slotted pan head |
| ECM: electronic control module | LH: left hand | SQH: square head |
| EXT: external | LPG: Liquid Propane Gas | SRH: slotted round head |
| FH: flat head | NI: nylon insert | STD: standard |
| GA: gauge | NPTF: national pipe thread fine | TAP: self tapping |
| HD: heavy-duty | PFH: phillips flat head | TTH: torx truss head |
| HF: hex flange | PPH: phillips pan head | |
| HH: hex head | PPHTF: phillips pan head thread forming | |
| HHF: hex head flange | PRH: phillips round head | |
| HHFTF: hex head flange thread forming | | |

Touch Up Paint

Exmark black touch up spray paint – gloss black.

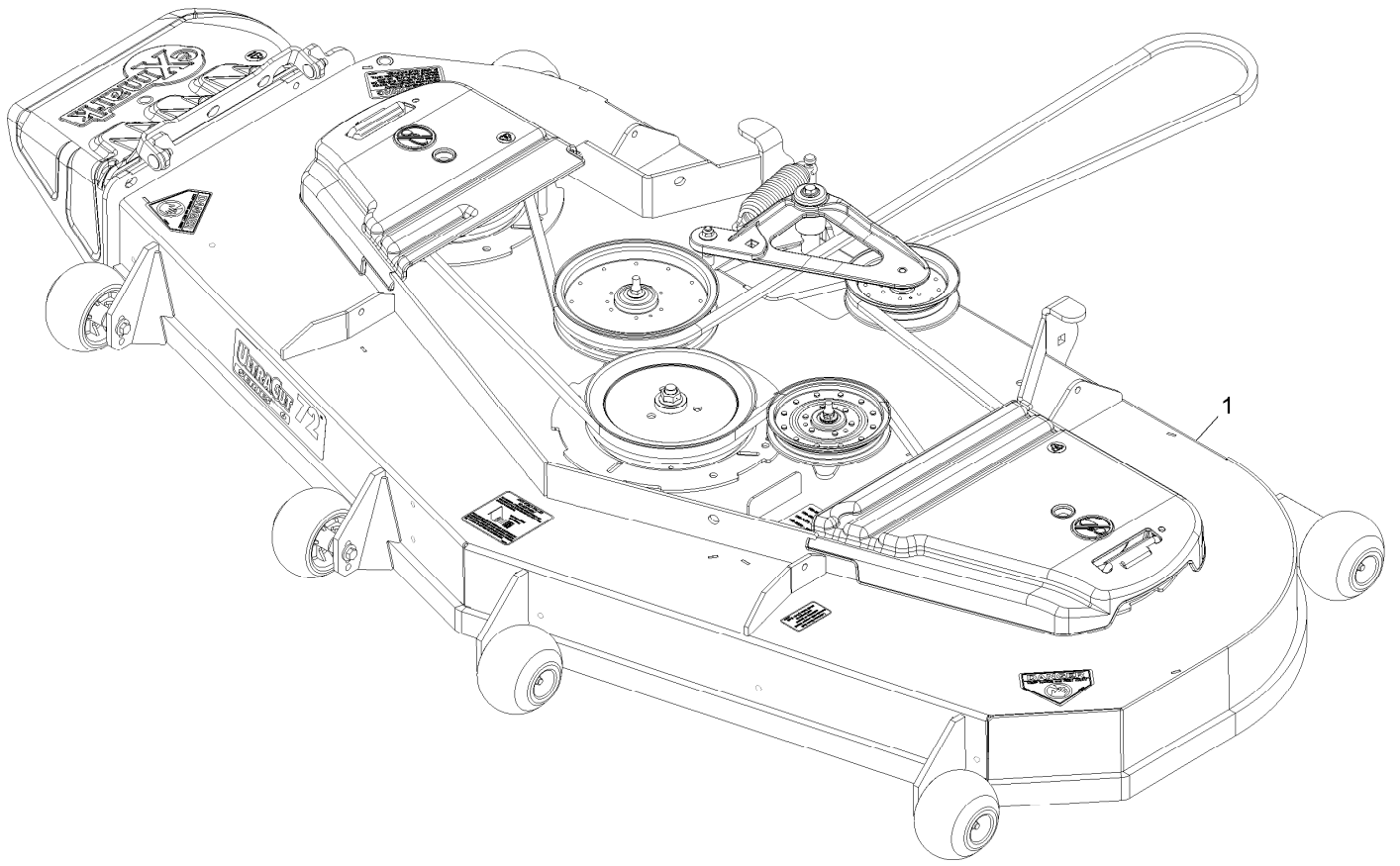
Exmark red touch up paint (spray paint – P/N 1-850337 - .6 oz liquid bottle – P/N 103-9140).



If your Exmark dealer does not have the Exmark part in stock, Exmark will get the parts to the dealer the next business day or the part will be FREE Guaranteed!! (Some restrictions apply. See your participating Exmark Dealer for details.)

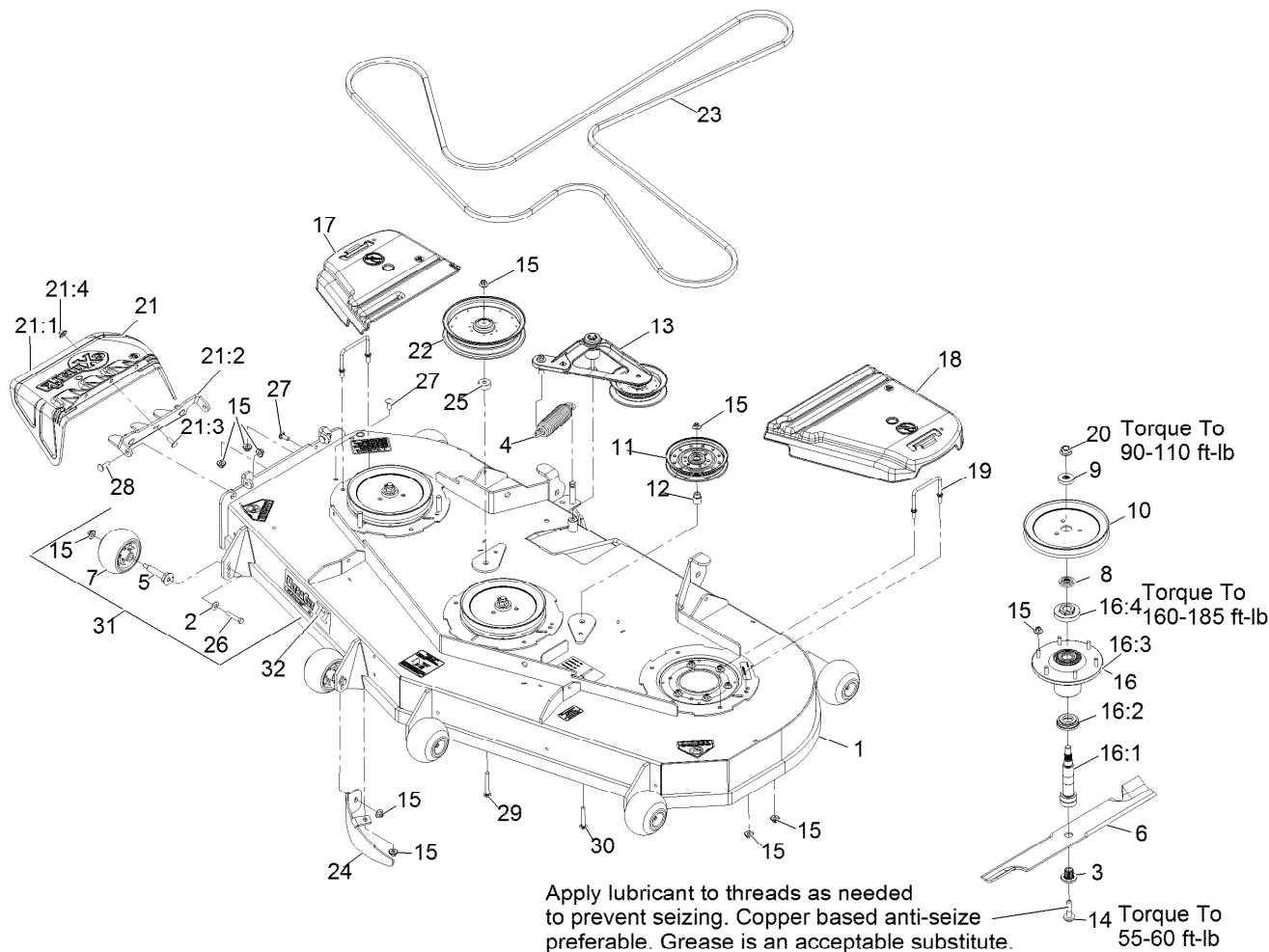
Contents

| | |
|--|----|
| Complete Deck Assembly..... | 4 |
| Deck Assembly..... | 5 |
| Deck W/Decals Assembly No. 109-9133..... | 6 |
| Deck Idler Assembly No. 116-3755..... | 7 |
| Cutter Housing Assembly No. 103-9539..... | 8 |
| Main Frame Assembly..... | 9 |
| Roll-Over Protection System Assembly No. 116-0230..... | 10 |
| Caster Wheel and Fork Assembly..... | 11 |
| Deck Lift Assembly..... | 12 |
| Height-of-Cut Assembly No. 109-7438..... | 13 |
| Control Assembly..... | 14 |
| Motion Control Assembly..... | 15 |
| Rear Wheel and Park Brake Assembly..... | 16 |
| Parking Brake Handle Assembly No. 116-7551..... | 17 |
| Seat Assembly..... | 18 |
| Seat W/Tracks Assembly No. 116-6187..... | 19 |
| Fuel Tank Mounting Assembly..... | 20 |
| Fuel Tank Assembly No. 116-3979..... | 21 |
| Engine Assembly..... | 22 |
| Hydraulic Assembly..... | 23 |
| LH Hydro Assembly No. 116-6409..... | 24 |
| RH Hydro Assembly No. 116-6410..... | 25 |
| Pump Idler Assembly No. 116-1255..... | 26 |
| Electrical Assembly..... | 27 |



Complete Deck Assembly

| <i>Ref.</i> | <i>Part Number</i> | <i>Qty.</i> | <i>Description</i> |
|-------------|--------------------|-------------|-----------------------|
| 1 | 109-9649 | 1 | Complete Deck ASM-726 |

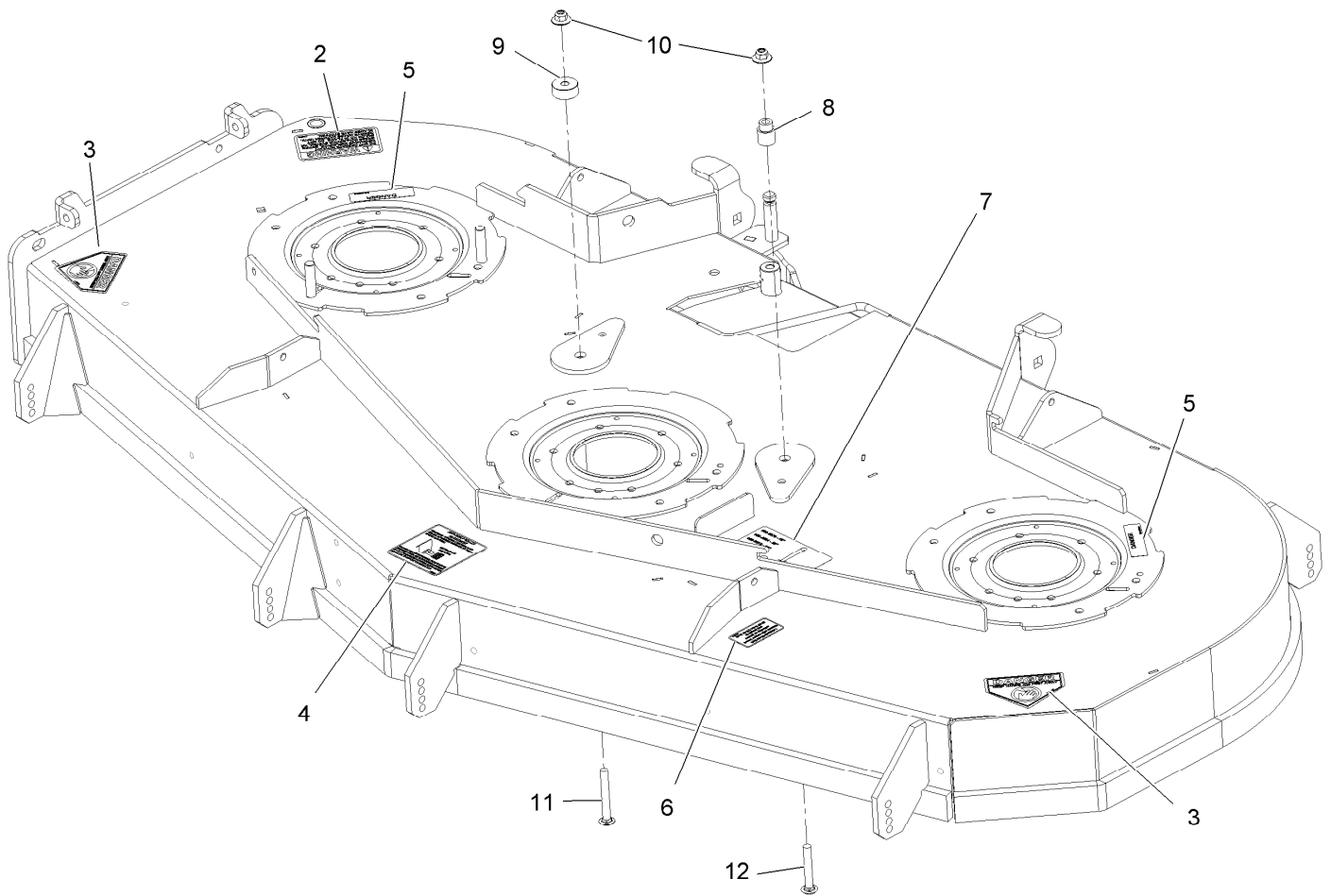


Deck Assembly

| Ref. | Part Number | Qty. | Description | Ref. | Part Number | Qty. | Description |
|------|-------------|------|---------------------------------|------|-------------|------|------------------------------|
| 1 | 109-9133 | 1 | Deck W/ Decals ASM-72 | 16:2 | 103-9539 | 1 | ASM,Cutter Housing |
| 2 | 98-5975 | 6 | Washer-Spring Disc 3/8 | 16:3 | 109-0916 | 1 | Nut, Spindle 7/8-14 |
| 3 | 103-3037 | 3 | Bushing,Splined | 16:4 | 109-6881 | 1 | Spindle,Double Spline ■ |
| 4 | 116-6317 | 1 | Spring-Extension | 17 | 116-0094 | 1 | Cover-Belt, RH |
| 5 | 109-9851 | 6 | Axle, Anti-Scalp Roller | 18 | 109-6938 | 1 | Cover-Belt, LH |
| 6 | 103-6384 | 3 | Blade, Solid 24.5 (.94 Hole) | 19 | 109-6982 | 2 | Wireform-Cover |
| 6 | 103-6404 | 3 | Blade, Notched 24.5 (.94 Hole) | 20 | 109-7033 | 3 | Nut-Flange 5/8-18 Centerlock |
| 6 | 103-6394 | 3 | Blade, Mulch 24.5 (.94 Hole) ● | 21 | 109-7188 | 1 | ASM,Discharge Chute |
| 6 | 116-5171 | 3 | Blade-Extreme 2, 24.50" | 21:1 | 109-2738 | 1 | Chute,Discharge |
| 6 | 103-6389 | 3 | Blade, Low Lift 24.5 (.94 Hole) | 21:2 | 109-8675-01 | 1 | Bracket,Discharge Chute |
| 7 | 103-8415 | 6 | Roller,Anti-Scalp | 21:3 | 3231-22 | 3 | Bolt-Carriage 3/8-16 X 1 |
| 8 | 103-9522 | 3 | Spacer,Splined Stepped | 21:4 | 109-6658 | 3 | Nut-Nyloc 3/8-16 Flg |
| 9 | 103-9523 | 3 | Spacer,Splined | 22 | 109-8590 | 1 | Pulley-Idler |
| 10 | 109-2180 | 3 | Sheave,Blade Drive 9.00 | 23 | 109-9023 | 1 | Belt,V-5V X 219.00" |
| 11 | 116-4667 | 1 | Idler-Pulley, Flat | 24 | 116-5834-01 | 1 | Baffle-Dogleg, Lz72 |
| 12 | 1-633456 | 1 | Bushing,Idler | 25 | 103-2956 | 1 | Spacer-Idler |
| 13 | 116-3755 | 1 | Deck Idler ASM | 26 | 3211-46 | 6 | Screw-HH 3/8-24 X 2 Gr8 |
| 14 | 109-9220 | 3 | Screw-Sems 1/2-20 X 2.19 | 27 | 3231-22 | 2 | Bolt-Carriage 3/8-16 X 1 |
| 15 | 109-6658 | 34 | Nut-Nyloc 3/8-16 Flg | 28 | 3231-28 | 2 | Bolt-Carriage 3/8-16 X 1 1/4 |
| 16 | 109-6917 | 3 | ASM,Spindle Housing | 29 | 3231-42 | 1 | Bolt-Carriage 3/8-16 X 3 |
| 16:1 | 103-9504 | 1 | Guard,Bottom | 30 | 3231-44 | 1 | Bolt-Carriage 3/8-16 X 2 1/2 |
| | | | | 31 | 109-2098 | 6 | Kit, Antiscalp |
| | | | | 32 | 109-9440 | 1 | Decal,Ultracut 72 Series 6 |

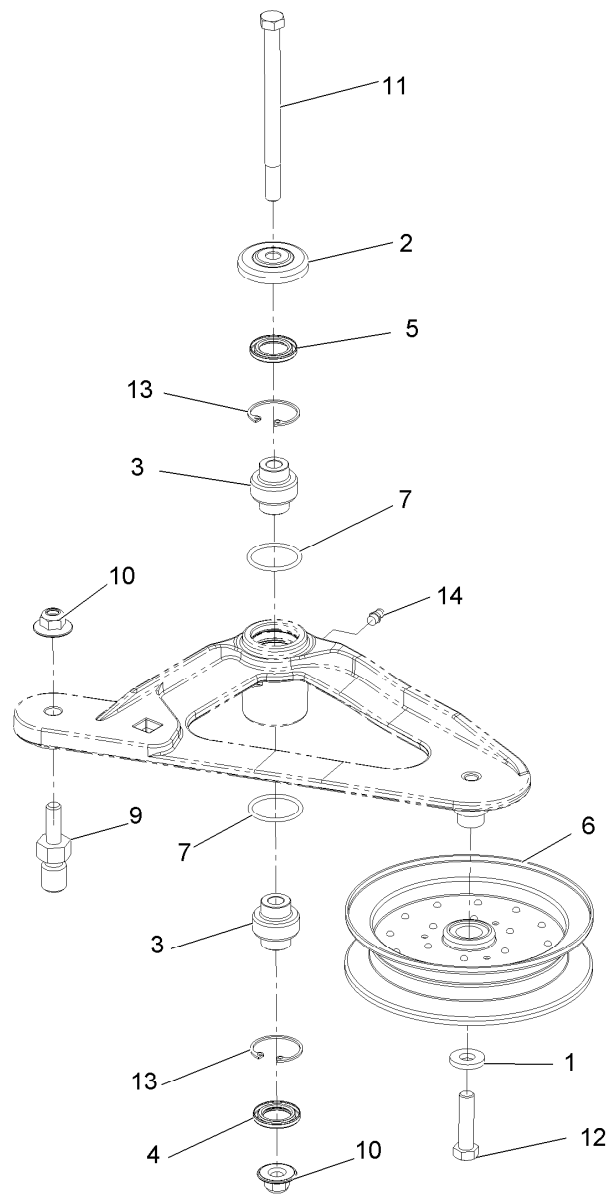
● Requires installation of mulch kit for proper mulching. See your Exmark dealer for details.

■ Apply Mobil HTS grease (P/N 103-5217 1.5 oz packet) (or a food-grade anti-seize). See operator s manual for locations.



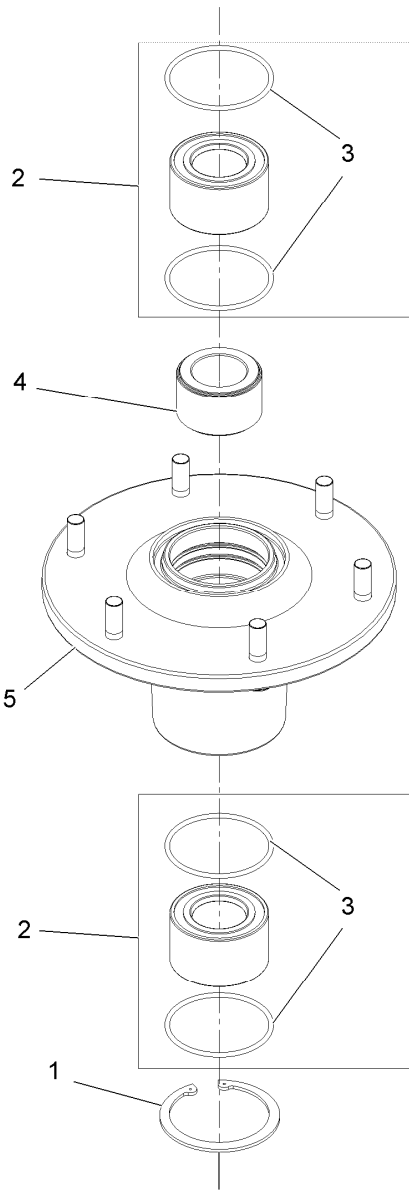
Deck W/Decals Assembly No. 109-9133

| <i>Ref.</i> | <i>Part Number</i> | <i>Qty.</i> | <i>Description</i> |
|-------------|--------------------|-------------|------------------------------|
| 2 | 1-303508 | 1 | Decal-Warning, Discharge |
| 3 | 1-403005 | 2 | Decal-Danger |
| 4 | 1-633922 | 1 | Decal,Antiscalp |
| 5 | 98-5954 | 2 | Decal-Cover, Missing |
| 6 | 109-3148 | 1 | Decal,Bolt Torque |
| 7 | 109-9361 | 1 | Decal,Belt Routing |
| 8 | 1-633456 | 1 | Bushing,Idler |
| 9 | 103-2956 | 1 | Spacer-Idler |
| 10 | 109-6658 | 2 | Nut-Nyloc 3/8-16 Flg |
| 11 | 3231-42 | 1 | Bolt-Carriage 3/8-16 X 3 |
| 12 | 3231-44 | 1 | Bolt-Carriage 3/8-16 X 2 1/2 |



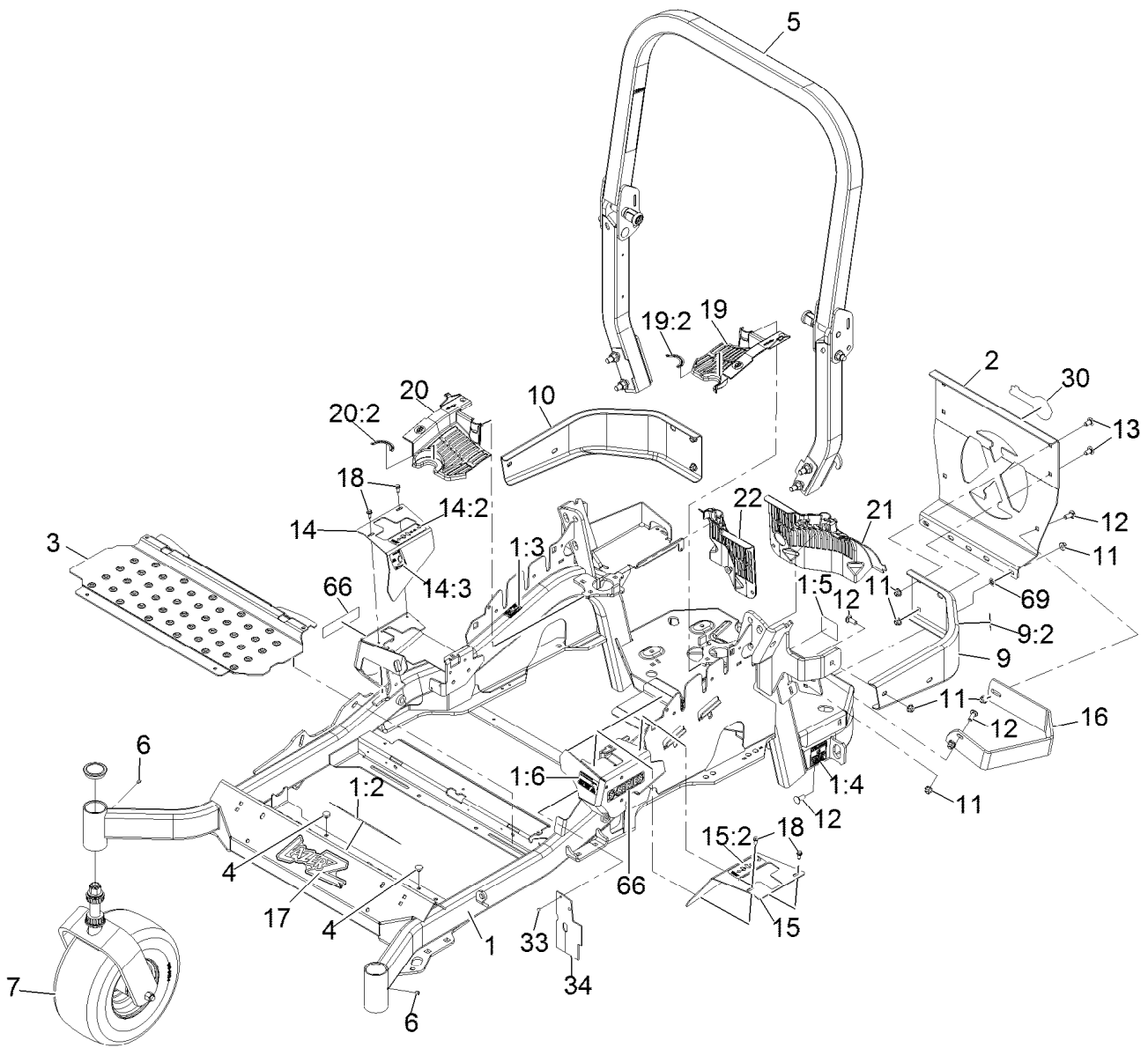
Deck Idler Assembly No. 116-3755

| <i>Ref.</i> | <i>Part Number</i> | <i>Qty.</i> | <i>Description</i> |
|-------------|--------------------|-------------|---------------------------|
| 1 | 43-0940 | 1 | Spacer |
| 2 | 103-2916 | 1 | Guard-Top |
| 3 | 103-3504 | 2 | Bearing-Spherical |
| 4 | 103-3505 | 1 | Seal-Double Lip |
| 5 | 103-3506 | 1 | Seal-Single Lip |
| 6 | 116-4668 | 1 | Idler-Pulley, Flanged |
| 7 | 106-7159 | 2 | O-Ring |
| 9 | 116-3467 | 1 | Pin-Spring, Anchor |
| 10 | 109-6658 | 2 | Nut-Nyloc 3/8-16 Flg |
| 11 | 109-7409 | 1 | Screw-Shoulder 3/8-16 X 5 |
| 12 | 323-8 | 1 | Screw-HH 3/8-16 X 1 1/2 |
| 13 | 32120-10 | 2 | Ring-Retaining |
| 14 | 302-19 | 1 | Zerk-1/4-28 Str |



Cutter Housing Assembly No. 103-9539

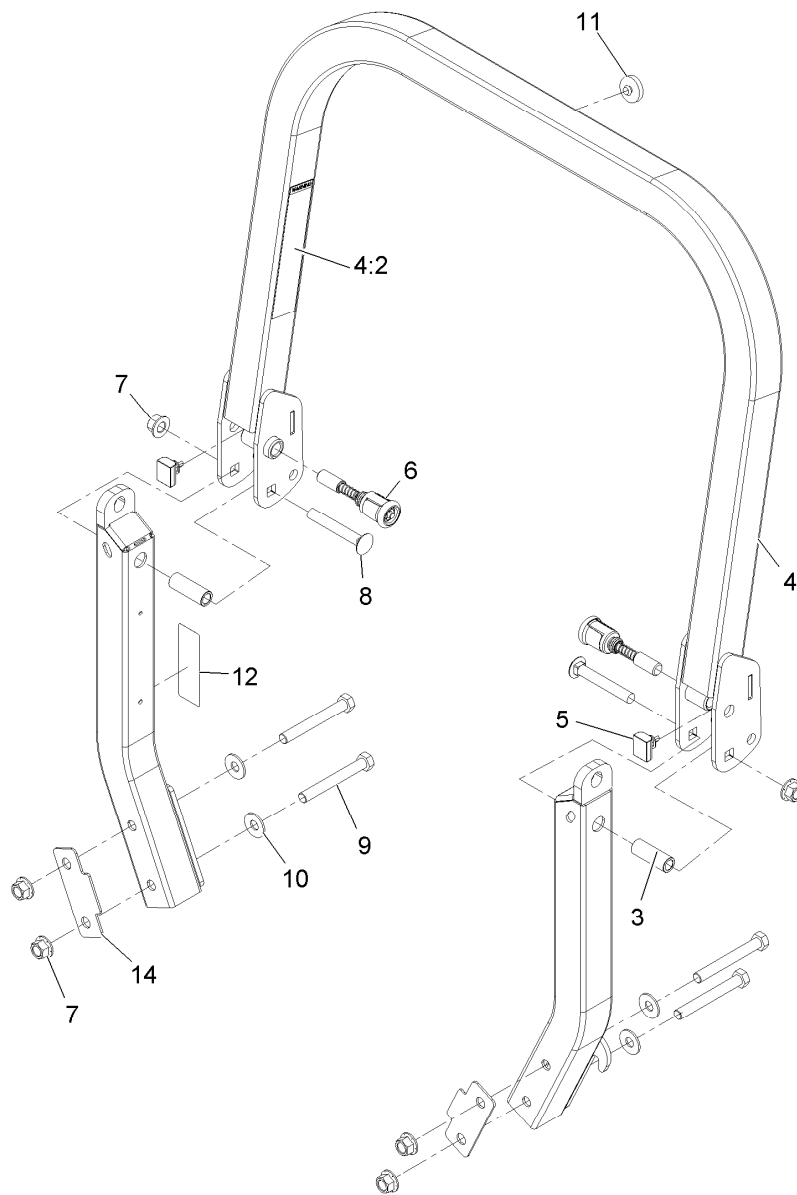
| <i>Ref.</i> | <i>Part Number</i> | <i>Qty.</i> | <i>Description</i> |
|-------------|--------------------|-------------|-----------------------|
| 1 | 92-5581 | 1 | Ring-Retaining |
| 2 | 109-2064 | 1 | ASM, Bearing W/Orings |
| 3 | 103-5895 | 4 | O-Ring |
| 4 | 103-9506 | 1 | Spacer, Bearing |
| 5 | 109-0764 | 1 | ASM, Housing W/Studs |



Main Frame Assembly

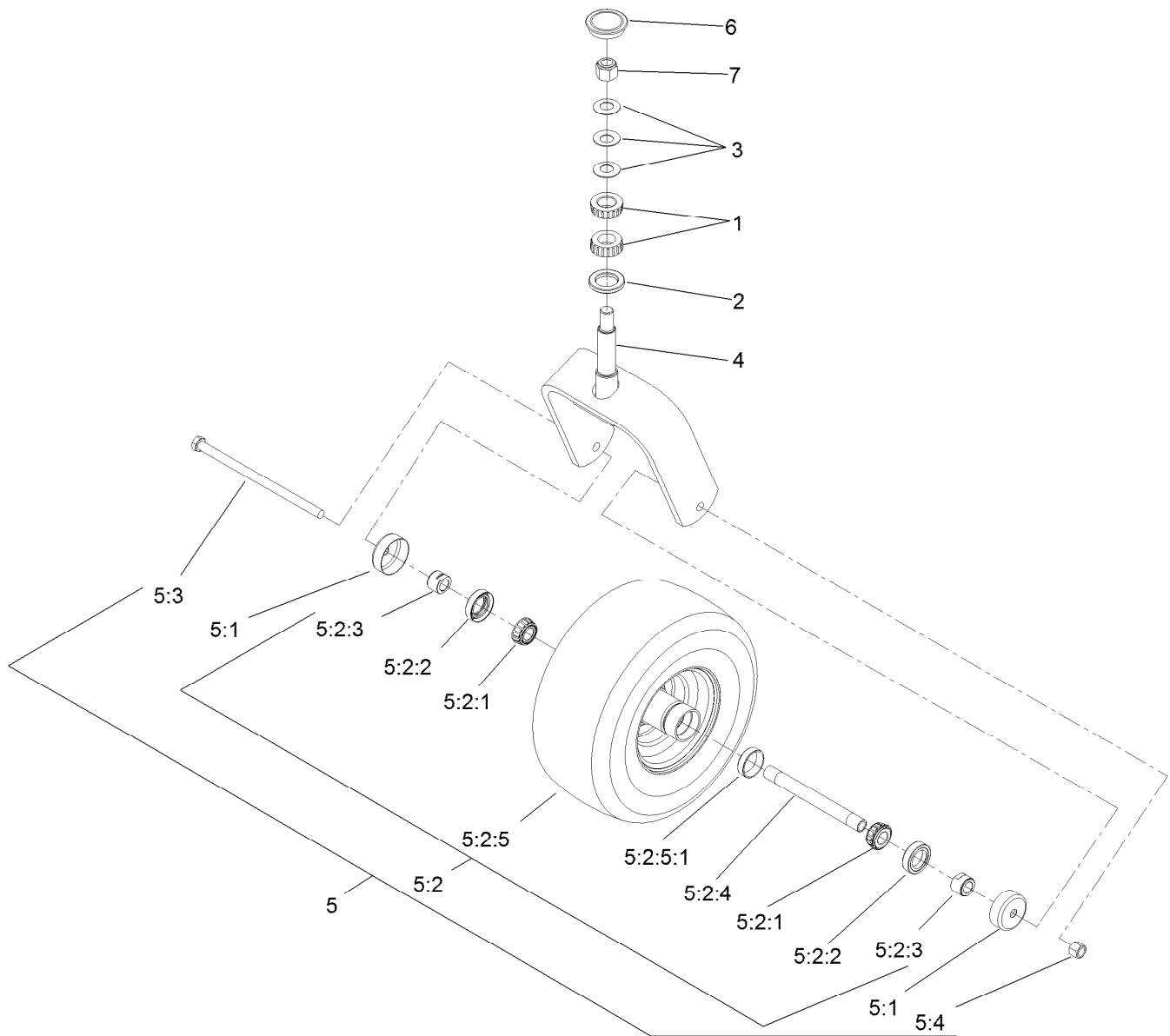
| Ref. | Part Number | Qty. | Description | Ref. | Part Number | Qty. | Description |
|------|-------------|------|----------------------------|------|-------------|------|-----------------------------|
| 1 | 116-5904 | 1 | Mainframe ASM | 14:2 | 109-7232 | 1 | Decal-Motion Control |
| 1:2 | 103-2076 | 2 | Decal-Caution | 14:3 | 116-5944 | 1 | Decal-Park Brake |
| 1:3 | 116-3303 | 1 | Decal-Slope | 15 | 116-0580 | 1 | LH Motion Control Cover ASM |
| 1:4 | 116-0205 | 2 | Decal-Belt Drive | 15:2 | 109-7232 | 1 | Decal-Motion Control |
| 1:5 | 116-4858 | 1 | Decal-Spark Arrester | 16 | 116-0043-03 | 1 | Guard-Muffler |
| 1:6 | 116-1654 | 1 | Decal-Fuel Fill | 17 | 103-3113 | 1 | Decal,Lazer Model |
| 2 | 109-8863-03 | 1 | Plate,Rear Guard | 18 | 32144-10 | 4 | Screw-HWH 1/4-20 X .62 |
| 3 | 116-0024-01 | 1 | Floorpan | 19 | 116-0170 | 1 | LH Hydro Guard ASM |
| 4 | 1-513658 | 2 | Bumper | 19:2 | 116-0157 | 1 | Decal-Hydro Oil |
| 5 | 116-0230 | 1 | ASM,ROPS Service Exmark | 20 | 116-0171 | 1 | RH Hydro Guard ASM |
| 6 | 1-811010 | 2 | Plug | 20:2 | 116-0157 | 1 | Decal-Hydro Oil |
| 7 | | 2 | Caster Wheel ASM ● | 21 | 109-9709 | 1 | Guard,Hydro Rear LH Trim |
| 9 | 116-0180 | 1 | LH Bumper ASM | 22 | 109-9058 | 1 | Guard-Hydro, Rear RH |
| 9:2 | 103-2076 | 1 | Decal-Caution | 30 | 103-2883 | 1 | Decal,Exmark Logo |
| 10 | 116-0057-03 | 1 | Bumper-RH | 33 | 1-803035 | 2 | Rivet 3/16 X 1/4 |
| 11 | 104-8301 | 11 | Nut-Nyloc 3/8-16 Flg | 34 | 116-2362 | 1 | Deflector-Air Flow |
| 12 | 3231-22 | 6 | Bolt-Carriage 3/8-16 X 1 | 66 | 116-3883 | 2 | Decal-X-Series |
| 13 | 3231-21 | 4 | Bolt-Carriage 3/8-16 X 3/4 | 69 | 107-3154 | 2 | Nut-Push 3/8-16 |
| 14 | 116-5899 | 1 | Cover-Motion Control, RH | | | | |

● Not serviced separately



Roll-Over Protection System Assembly No. 116-0230

| <i>Ref.</i> | <i>Part Number</i> | <i>Qty.</i> | <i>Description</i> |
|-------------|--------------------|-------------|------------------------------|
| 3 | 109-6653 | 2 | Spacer |
| 4 | 116-0019 | 1 | Upper ROPS ASM |
| 4:2 | 107-2102 | 1 | Decal-Warning, Folding ROPS |
| 5 | 109-5337 | 2 | Bumper-ROPS |
| 6 | 116-0104 | 2 | Spring Pin ASM |
| 7 | 99-5107 | 6 | Nut-Lock 1/2-13 |
| 8 | 3233-10 | 2 | Bolt-Carriage 1/2-13 X 3 1/2 |
| 9 | 325-17 | 4 | Screw-HH 1/2-13 X 4 |
| 10 | 109-9505 | 4 | Washer-Spring |
| 11 | 109-9233 | 1 | Bumper-Push-In, Rubber |
| 12 | 116-0090 | 1 | Decal-Caution |
| 14 | 116-0960 | 2 | Spacer |

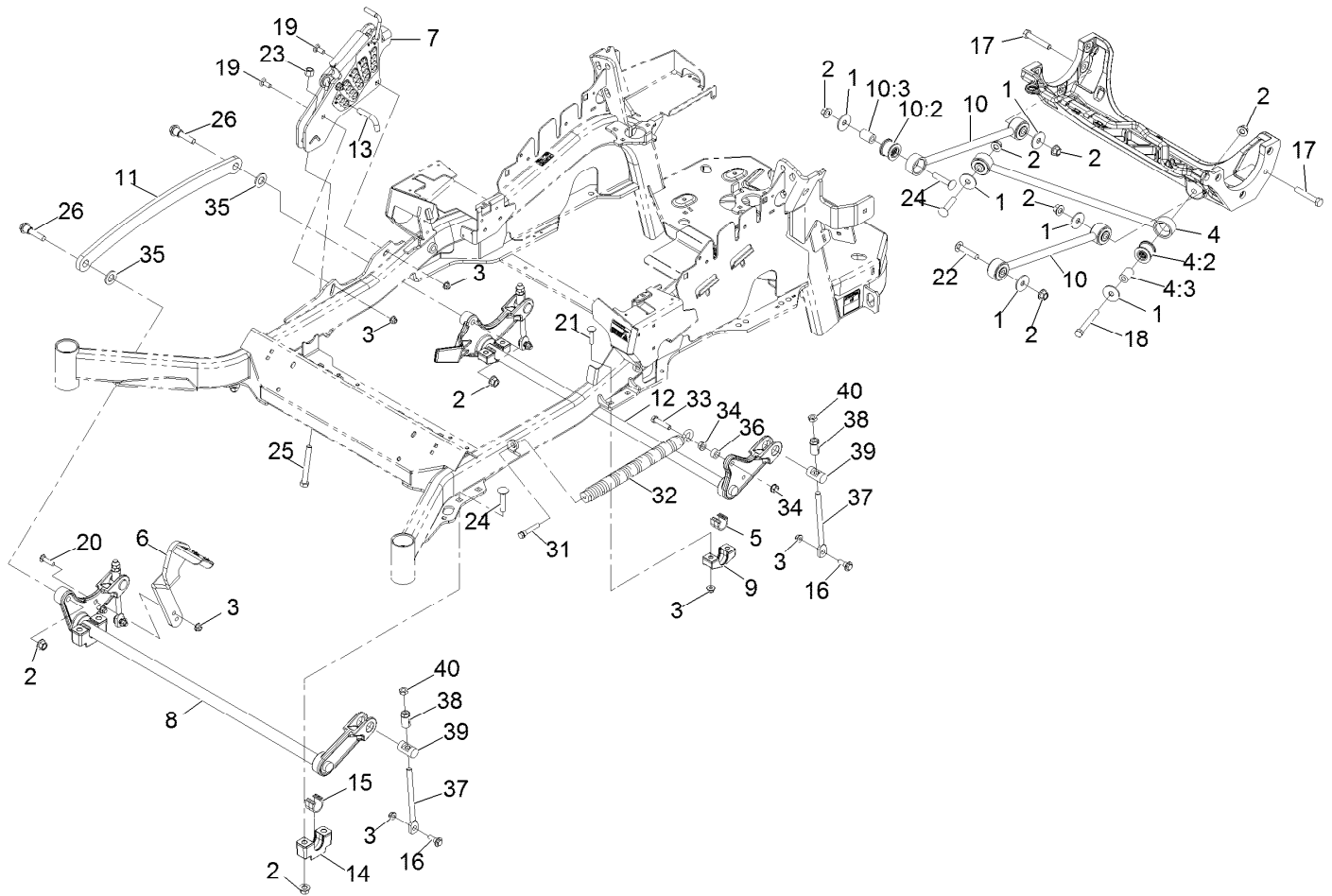


Caster Wheel and Fork Assembly

| Ref. | Part Number | Qty. | Description | Ref. | Part Number | Qty. | Description |
|-------|-------------|------|-------------------------|---------|-------------|------|----------------------|
| 1 | 1-543509 | 2 | Bearing-Roller, Tapered | 5:2:3 | 103-3051 | 2 | Spacer-Nut ■ |
| 2 | 1-543511 | 1 | Seal-Grease | 5:2:4 | 103-5156 | 1 | Axle-Caster |
| 3 | 1-633508 | 3 | Washer-Bellville | 5:2:5 | | 1 | Wheel And Tire ASM ● |
| 4 | 103-1474-01 | 1 | Caster-Fork | 5:2:5:1 | 1-633584 | 1 | Bearing-Cup |
| 5 | 109-9127 | 1 | Wheel And Tire ASM | 5:3 | 325-39 | 1 | Screw-HH |
| 5:1 | 103-2768 | 2 | Guard-Seal | 5:4 | 3296-23 | 1 | Nut-Lock, NI |
| 5:2 | | 1 | Wheel And Tire ASM ● | 6 | 103-4882 | 1 | Cap-Grease |
| 5:2:1 | 1-633585 | 2 | Bearing-Cone, Taper | 7 | 3296-51 | 1 | Nut-Lock, NI |
| 5:2:2 | 103-0063 | 2 | Seal-Caster | | | | |

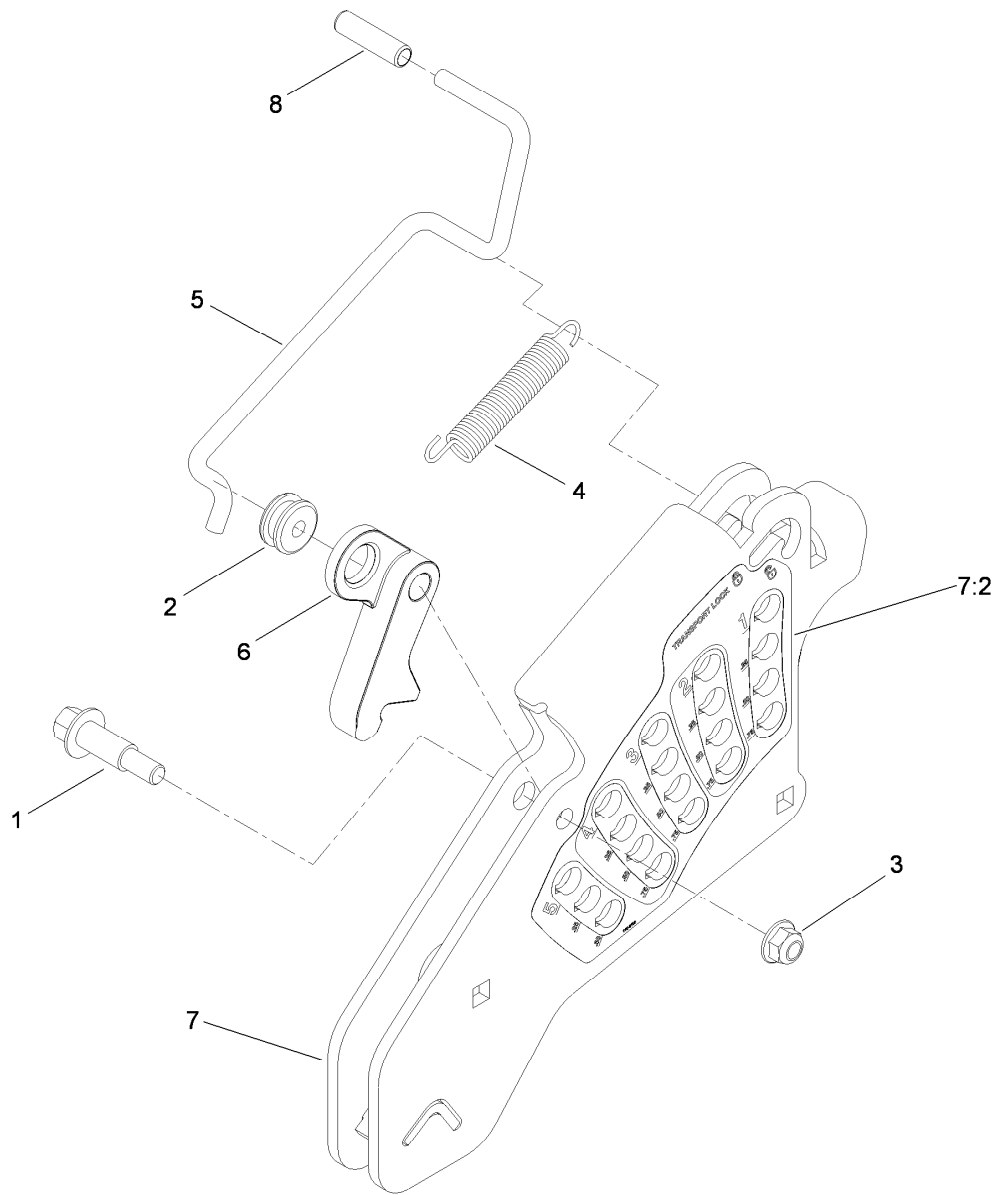
● Not serviced separately

■ Use Pro-Lock, Nut Type (P/N 1-840022, .5ml tube) on threads.



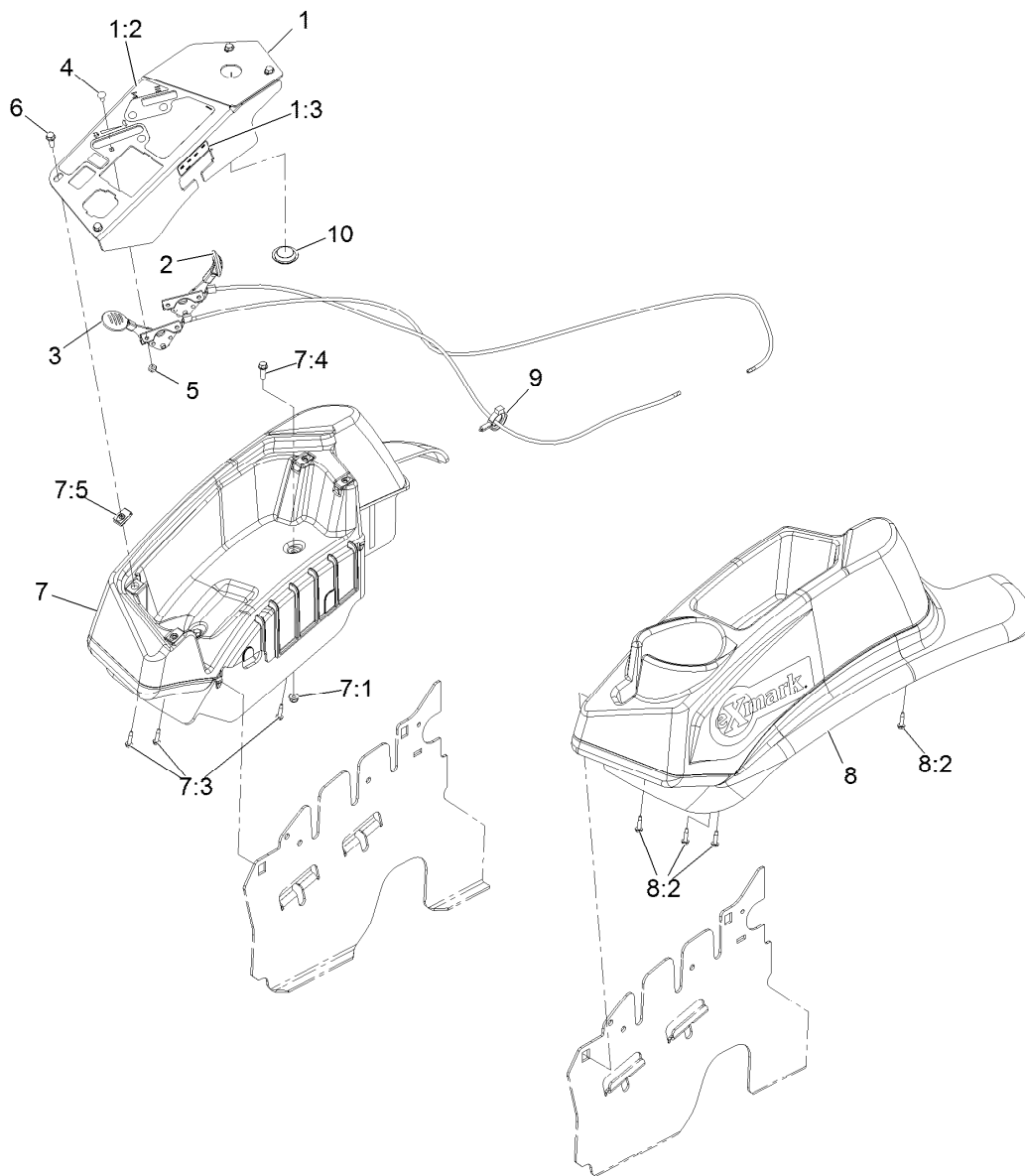
Deck Lift Assembly

| Ref. | Part Number | Qty. | Description | Ref. | Part Number | Qty. | Description |
|------|-------------|------|------------------------------------|------|-------------|------|---------------------------------------|
| 1 | 86-1990 | 6 | Washer | 17 | 325-12 | 2 | Screw-HH 1/2-13 X 3 |
| 2 | 99-5107 | 12 | Nut-Lock 1/2-13 | 18 | 325-17 | 1 | Screw-HH 1/2-13 X 4 |
| 3 | 104-8301 | 12 | Nut-Nyloc 3/8-16 Flg | 19 | 3231-2 | 2 | Bolt-Carriage 3/8-16 X 1 |
| 4 | 109-5013 | 1 | Panhard Rod ASM | 20 | 3231-4 | 2 | Bolt-Carriage 3/8-16 X 1 1/2 |
| 4:2 | 109-5009 | 2 | Bushing-Suspension, Rubber | 21 | 3231-5 | 4 | Bolt-Carriage 3/8-16 X 1 3/4 |
| 4:3 | 109-5010 | 2 | Spacer | 22 | 3233-34 | 3 | Bolt-Carriage 1/2-13 X 2 1/2 |
| 5 | 109-7173 | 2 | Bearing-Cross Shaft, Rear | 23 | 3296-23 | 1 | Nut-Nyloc 1/2-13 |
| 6 | 116-1919-01 | 1 | Lever-Foot | 24 | 116-1700 | 4 | Bolt-Carriage 1/2-13 X 2 1/2 Spl Neck |
| 7 | 109-7438 | 1 | HOC ASM | 25 | 116-0559 | 1 | Bolt-HH 1/2-13 X 4 Tap |
| 8 | 116-1771-03 | 1 | Deck Lift-Front | 26 | 116-2022 | 2 | Screw-Hex Flange 1/2-13 X 1.90 |
| 9 | 116-0818-03 | 2 | Support-Cross Shaft, Rear Bearing | 31 | 92-7674 | 1 | Screw-Shcs 3/8-16 X 2.212 |
| 10 | 109-7952 | 2 | Deck Strut ASM | 32 | 116-0000 | 1 | Extension Spring ASM |
| 10:2 | 109-5009 | 2 | Bushing-Suspension, Rubber | 33 | 109-9065 | 1 | Screw-HH 7/16-14 X 2 |
| 10:3 | 109-5010 | 2 | Spacer | 34 | 32128-37 | 2 | Nut-Whizlock 7/16-14 |
| 11 | 116-0797-03 | 1 | Link-Lift, Deck | 35 | 3256-28 | 2 | Washer-3/4 Sae |
| 12 | 116-2645-03 | 1 | Lift-Deck, Rear | 36 | 116-2695 | 1 | Spacer |
| 13 | 116-5584 | 1 | Pin-HOC | 37 | 109-8007 | 4 | Link-Adjuster, Deck Lift |
| 14 | 109-9409 | 2 | Support-Cross Shaft, Front Bearing | 38 | 109-7840 | 4 | Adjuster-Lift, Deck |
| 15 | 109-9410 | 2 | Bearing-Cross Shaft, Front | 39 | 109-8353 | 4 | Trunnion |
| 16 | 109-9840 | 4 | Screw-Hex Flange 3/8-16 X .80 | 40 | 3218-5 | 4 | Nut-Jam 1/2-13 |



Height-of-Cut Assembly No. 109-7438

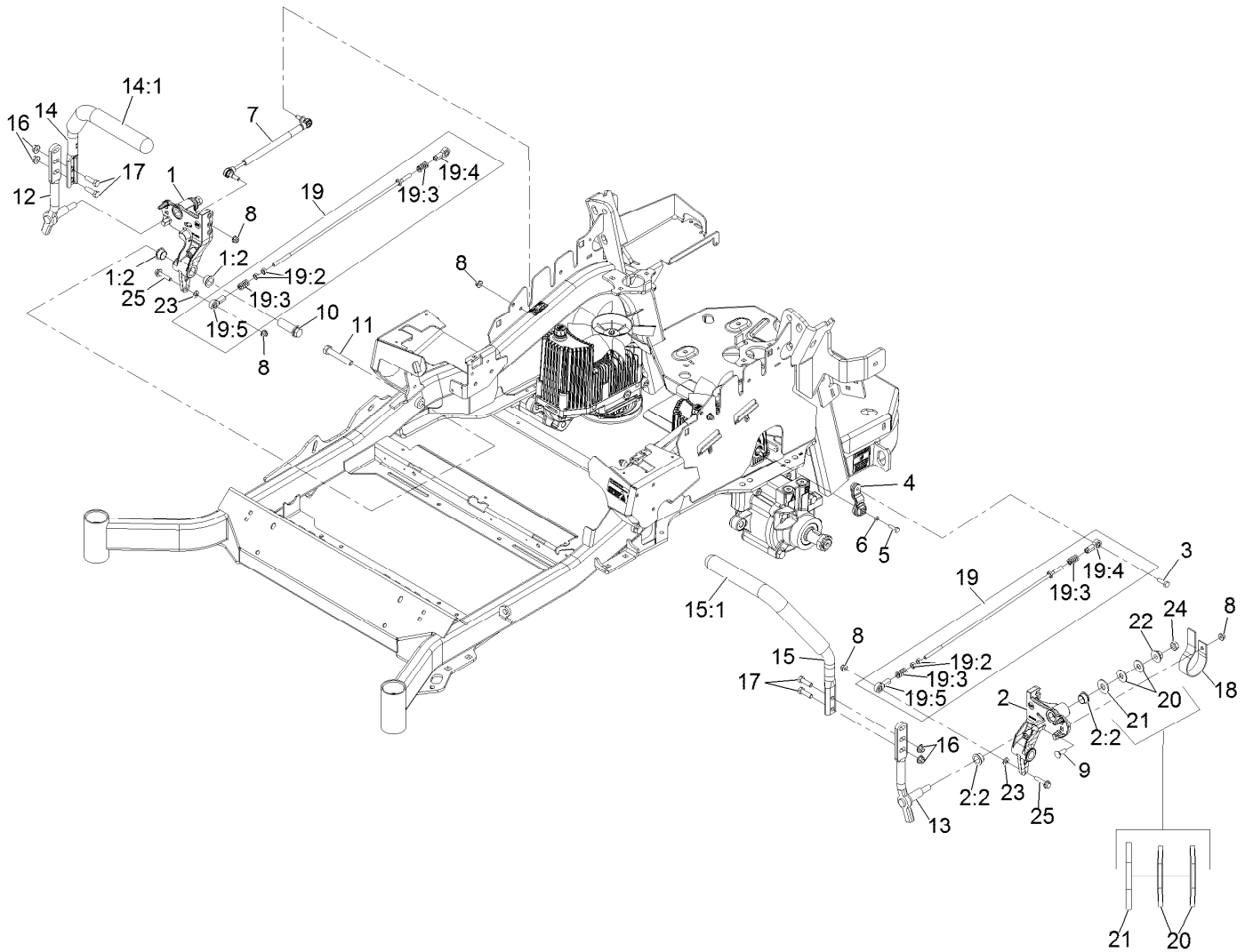
| <i>Ref.</i> | <i>Part Number</i> | <i>Qty.</i> | <i>Description</i> |
|-------------|--------------------|-------------|---------------------|
| 1 | 62-1330 | 1 | Bolt-Shoulder |
| 2 | 109-7130 | 1 | Grommet |
| 3 | 104-8301 | 1 | Nut-Flange, NI |
| 4 | 109-7124 | 1 | Spring-Extension |
| 5 | 109-7128 | 1 | Rod-Lock, Transport |
| 6 | 116-0118 | 1 | Pawl-Transport, HOC |
| 7 | 109-7335 | 1 | HOC Plate ASM |
| 7:2 | 116-0752 | 1 | Decal-HOC |
| 8 | 109-8250 | 1 | Grip-Lever |



Control Assembly

| Ref. | Part Number | Qty. | Description |
|------|-------------|------|----------------------------|
| 1 | 109-8484 | 1 | Console,Panel W/Decal |
| 1:2 | 109-8483 | 1 | Decal-Control Panel |
| 1:3 | 109-7330 | 1 | Decal-Fuse |
| 2 | 109-8165 | 1 | ASM, Choke Cable |
| 3 | 116-0969 | 1 | ASM,Throttle Cable |
| 4 | 1-807513 | 4 | Bolt-Carriage #10-24 X 1/2 |
| 5 | 3296-2 | 4 | Nut-Nyloc #10-24 |
| 6 | 32105-15 | 4 | Screw-Machine 1/4-20 X 3/4 |
| 7 | 109-9341 | 1 | Console,RH Narrow ASM |

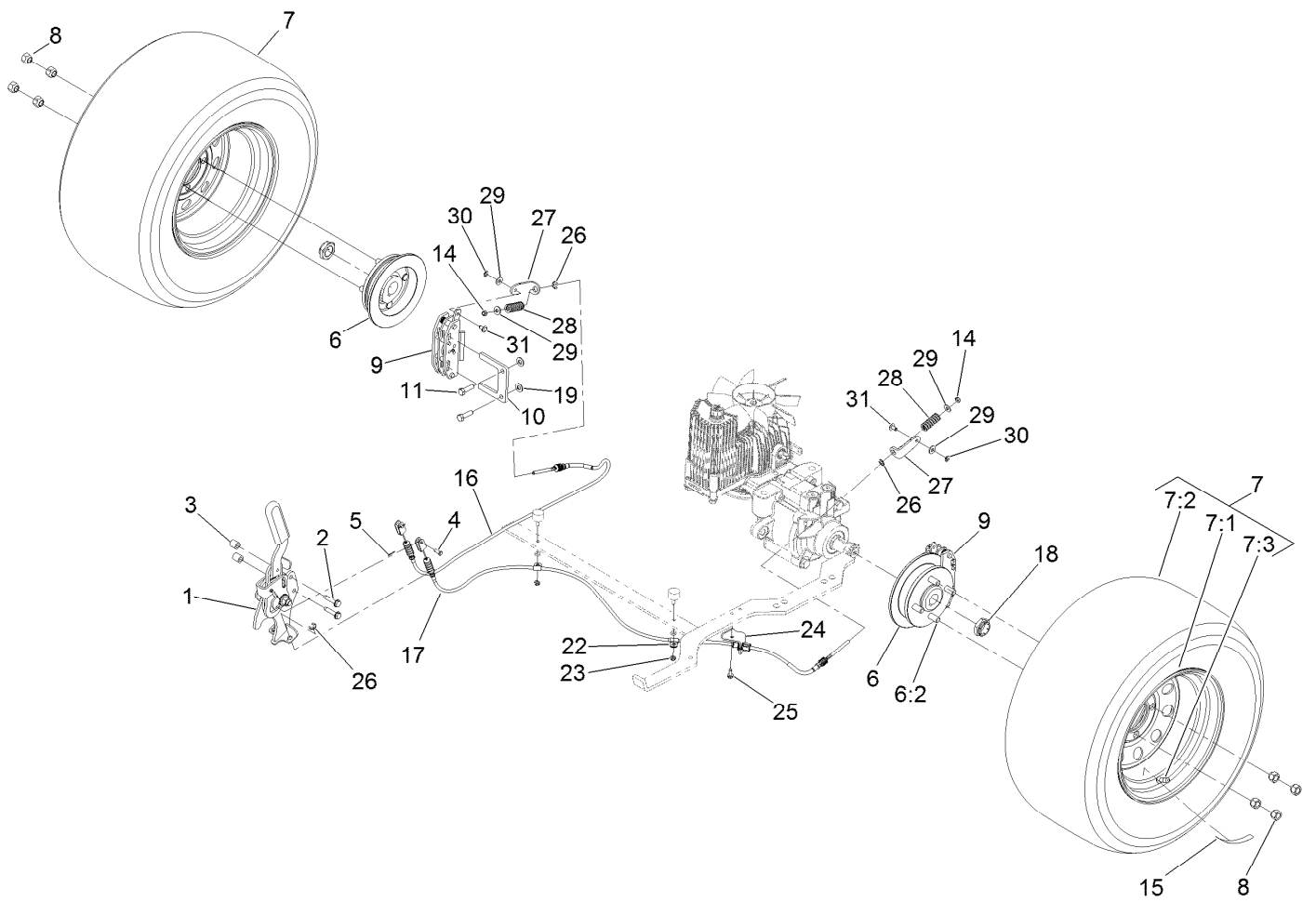
| Ref. | Part Number | Qty. | Description |
|------|-------------|------|----------------------------|
| 7:1 | 104-7201 | 2 | Nut-Nyloc 1/4-20 Flg |
| 7:3 | 109-9345 | 3 | Screw-HWH #10-14 X 3/4 Tf |
| 7:4 | 32105-15 | 2 | Screw-Machine 1/4-20 X 3/4 |
| 7:5 | 107069 | 4 | Nut-Retainer-Panel 1/4-20 |
| 8 | 109-9342 | 1 | Console.LH Narrow ASM |
| 8:2 | 109-9345 | 4 | Screw-HWH #10-14 X 3/4 Tf |
| 9 | 105-1853 | 1 | Clamp-Hose |
| 10 | 116-1875 | 1 | Plug,Plastic |



Motion Control Assembly

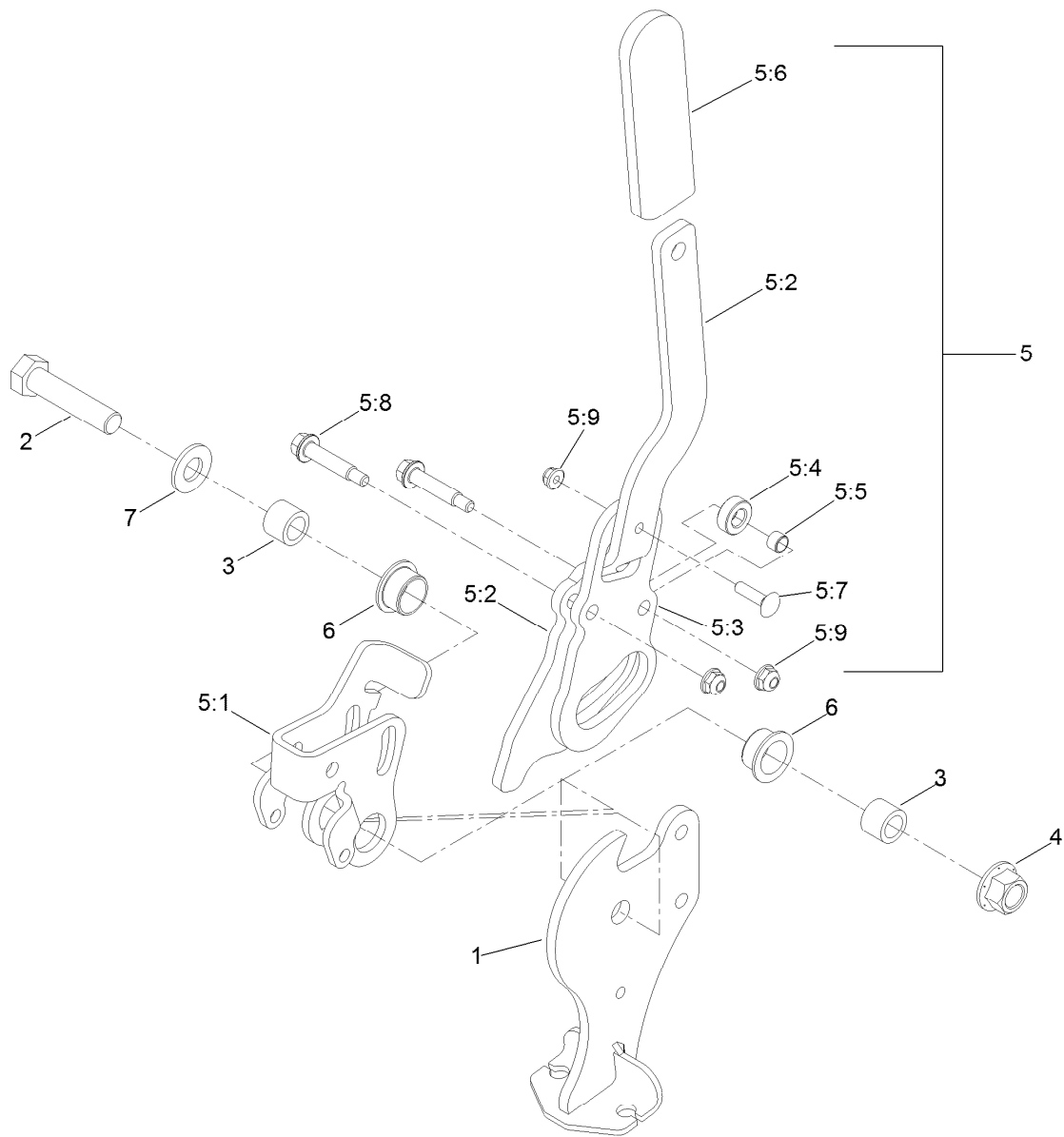
| Ref. | Part Number | Qty. | Description | Ref. | Part Number | Qty. | Description |
|------|-------------|------|-----------------------------------|------|-------------|------|----------------------------------|
| 1 | 116-0880 | 1 | RH Motion Control And Bushing ASM | 14:1 | 109-5668 | 1 | Grip-Control, Lever |
| 1:2 | 109-8054 | 4 | Bushing-Flanged | 15 | 109-6590 | 1 | LH Steering Handle ASM |
| 2 | 116-0881 | 1 | LH Motion Control And Bushing ASM | 15:1 | 109-5668 | 1 | Grip-Control, Lever |
| 2:2 | 109-8054 | 4 | Bushing-Flanged | 16 | 104-8301 | 4 | Nut-Nyloc 3/8-16 Flg |
| 3 | 116-0648 | 2 | Screw-HH 5/16-18 X 1 W/Patch ● | 17 | 323-7 | 4 | Screw-HH 3/8-16 X 1 1/4 |
| 4 | 109-4581 | 2 | Arm-Control, Pump | 18 | 109-5575 | 2 | Spring-Leaf |
| 5 | 9080046 | 2 | Screw-HH 1/4-20 X 7/8 ● | 19 | 109-8106 | 2 | Front Pump Linkage ASM |
| 6 | 1-303435 | 2 | Washer-Spring Disc 1/4 | 19:2 | 3219-2 | 2 | Nut-Hex 5/16-24 |
| 7 | 116-0027 | 2 | Damper-Control, Motion | 19:3 | 1-323245 | 2 | Spring-Compression |
| 8 | 104-8300 | 8 | Nut-Nyloc 5/16-18 Flg | 19:4 | 1-633152 | 1 | Balljoint |
| 9 | 3230-2 | 2 | Bolt-Carriage 5/16-18 X 1 | 19:5 | 1-543017 | 1 | Balljoint |
| 10 | 109-5891 | 2 | Hub-Threaded | 20 | 109-9505 | 4 | Washer, Spring Disc 1/2 |
| 11 | 325-12 | 2 | Screw-HH 1/2-13 X 3 | 21 | 3256-6 | 2 | Washer |
| 12 | 116-0039 | 1 | Lever-Control Motion, RH | 22 | 32128-56 | 2 | Nut-Hex 1/2-13 Flange |
| 13 | 116-0040 | 1 | Lever-Control Motion, LH | 23 | 3256-23 | 2 | Washer-5/16 Sae |
| 14 | 109-6589 | 1 | RH Steering Handle ASM | 24 | 3218-5 | 2 | Nut-Jam 1/2-13 |
| | | | | 25 | 115-1794 | 2 | Screw-Hex Flange 5/16-18 X 1 1/2 |

● Use Pro-Lock, Nut Type (P/N 1-840022, .5ml tube) on threads.



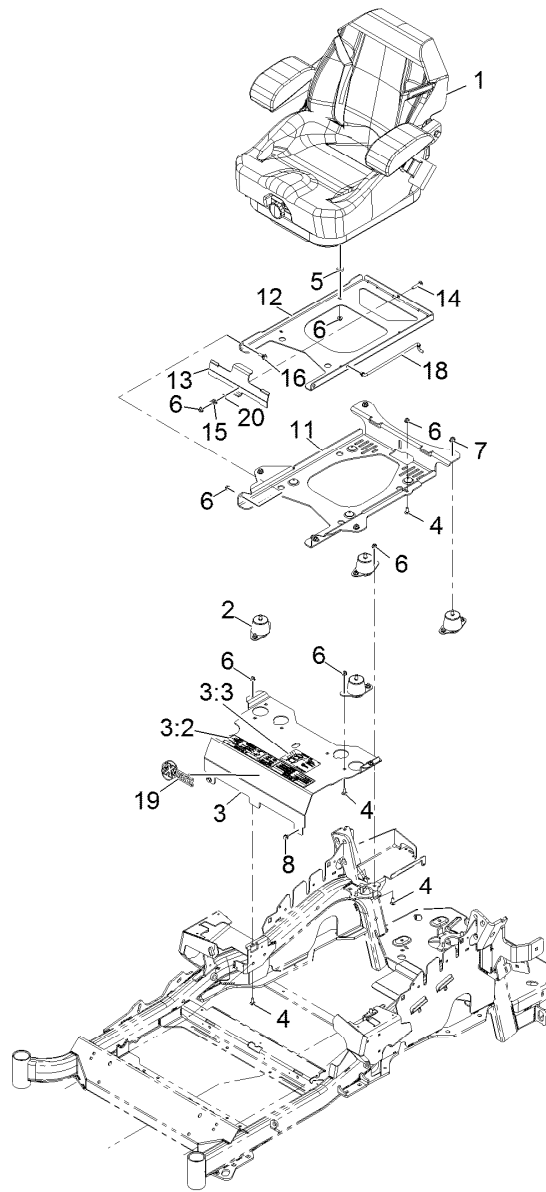
Rear Wheel and Park Brake Assembly

| Ref. | Part Number | Qty. | Description | Ref. | Part Number | Qty. | Description |
|------|-------------|------|--------------------|------|-------------|------|------------------------|
| 1 | 116-7551 | 1 | Brake Handle ASM | 15 | 116-2643 | 2 | Decal-Wheel Nut Torque |
| 2 | 32144-57 | 2 | Screw | 16 | 116-6364 | 1 | Cable-Park Brake, RH |
| 3 | 82-6840 | 2 | Spacer | 17 | 116-6365 | 1 | Cable-Park Brake, LH |
| 4 | 60-1730 | 2 | Pin-Clevis | 18 | 116-1399 | 2 | Locknut |
| 5 | 3272-1 | 2 | Pin-Cotter | 19 | 3256-24 | 4 | Washer-Flat |
| 6 | 116-1746 | 2 | Wheel Hub ASM | 22 | 88-7970 | 2 | Clip |
| 6:2 | 116-1696 | 4 | Stud-Wheel | 23 | 3296-56 | 2 | Nut-Lock, NI |
| 7 | 109-3158 | 2 | Wheel And Tire ASM | 24 | 116-6397 | 1 | Bracket-Cable |
| 7:1 | 109-3156 | 1 | Rim ASM | 25 | 32144-10 | 1 | Screw-HWH |
| 7:2 | 103-2744 | 1 | Tire | 26 | 32120-18 | 4 | E-Ring |
| 7:3 | 232-27 | 1 | Stem-Valve | 27 | 116-6182 | 2 | Bracket-Brake, L |
| 8 | 242-50 | 8 | Nut-Lug | 28 | 116-6347 | 2 | Spring-Die |
| 9 | 109-2889 | 2 | Caliper-Brake | 29 | 3256-22 | 4 | Washer-Flat |
| 10 | 109-0958 | 2 | Plate-Mount, Brake | 30 | 32151-86 | 2 | E-Ring |
| 11 | 92-5727 | 4 | Screw-Lock, Patch | 31 | 116-6348 | 2 | Pin-Brake |
| 14 | 3296-13 | 2 | Nut-Lock, NI | | | | |



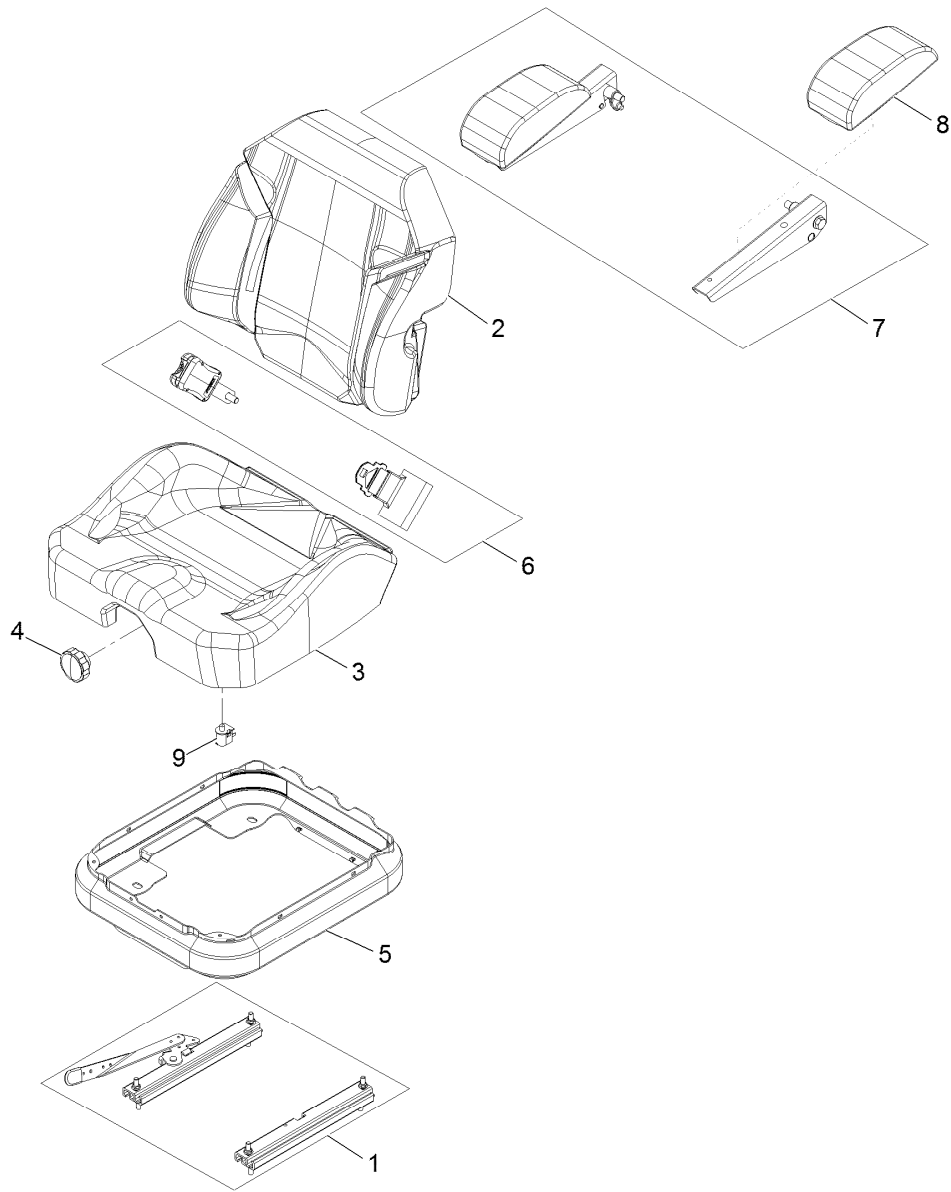
Parking Brake Handle Assembly No. 116-7551

| Ref. | Part Number | Qty. | Description | Ref. | Part Number | Qty. | Description |
|------|-------------|------|-------------------------|------|-------------|------|--------------------------|
| 1 | 116-7263 | 1 | Brake Pivot ASM | 5:4 | 116-6846 | 1 | Roller-Brake |
| 2 | 325-9 | 1 | Screw-HH 1/2-13 X 2 1/4 | 5:5 | 116-6852 | 1 | Bearing-Sleeve |
| 3 | 116-5384 | 2 | Spacer | 5:6 | 1-633268 | 1 | Grip-Lever |
| 4 | 99-5107 | 1 | Nut-Lock 1/2-13 | 5:7 | 3229-2 | 1 | Bolt-Carriage 1/4-20 X 1 |
| 5 | 116-6860 | 1 | Handle ASM | 5:8 | 116-6876 | 2 | Screw-Shoulder |
| 5:1 | 116-6856 | 1 | Bellcrank-Brake | 5:9 | 104-7201 | 3 | Nut-Nyloc 1/4-20 Flg |
| 5:2 | 116-6857 | 1 | Handle-Brake | 6 | 109-8054 | 2 | Bushing-Flanged |
| 5:3 | 116-6858 | 1 | Plate-Handle | 7 | 3256-26 | 1 | Washer-1/2 Sae |



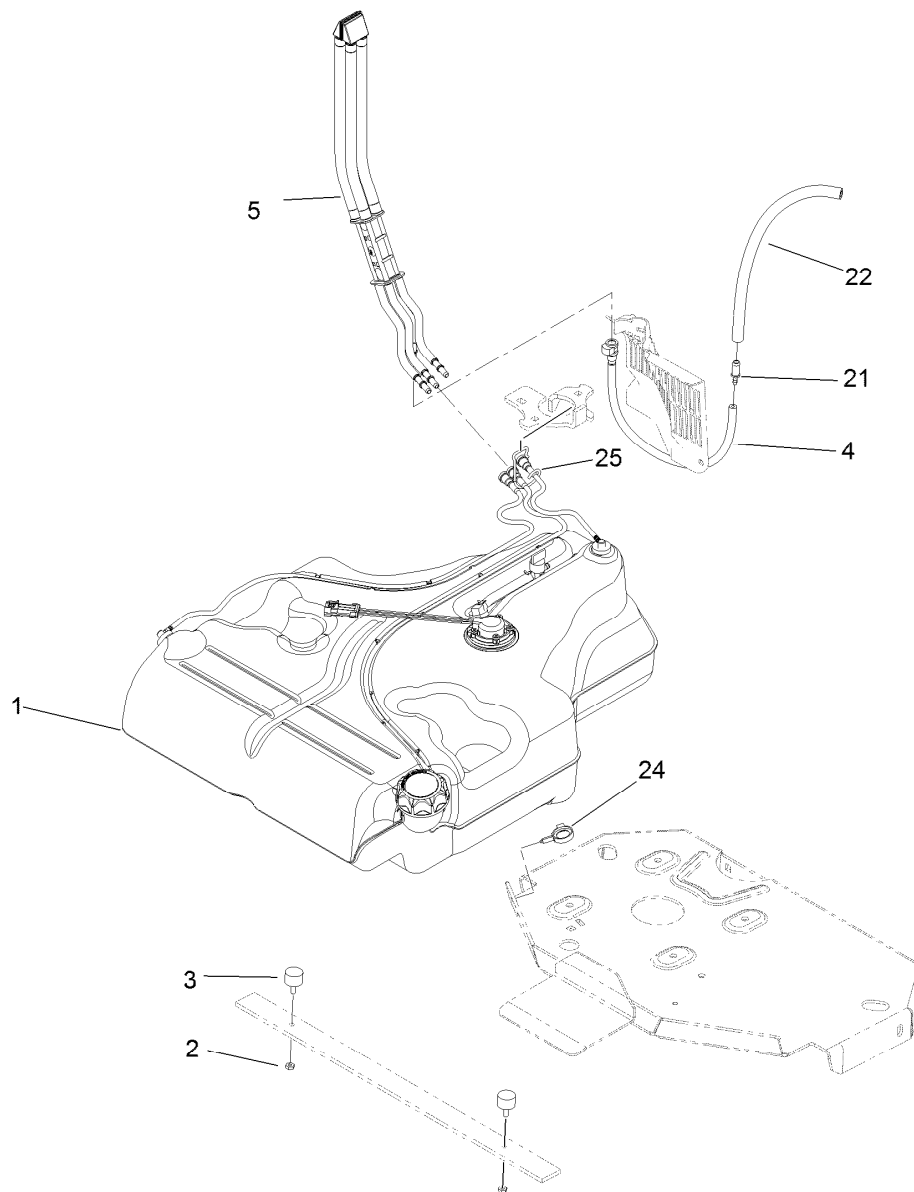
Seat Assembly

| <i>Ref.</i> | <i>Part Number</i> | <i>Qty.</i> | <i>Description</i> | <i>Ref.</i> | <i>Part Number</i> | <i>Qty.</i> | <i>Description</i> |
|-------------|--------------------|-------------|--|-------------|--------------------|-------------|-------------------------------|
| 1 | 116-6187 | 1 | ASM-Suspension Seat | 11 | 116-3860-03 | 1 | Plate-Tilt, Seat Support |
| 2 | 109-9034 | 4 | Isolator-Seat | 12 | 116-3859-03 | 1 | Plate-Seat, Frame |
| 3 | 116-2323 | 1 | Mount-Seat | 13 | 109-9881-03 | 1 | Plate-Latch, Seat |
| 3:2 | 109-7069 | 1 | Decal-Console | 14 | 3230-4 | 1 | Bolt-Carriage 5/16-18 X 1 1/2 |
| 3:3 | 116-0211 | 1 | Decal-Service Aid | 15 | 107-3017 | 1 | Spring-Compression |
| 4 | 3230-23 | 11 | Bolt-Carriage 5/16-18 X 3/4 Short Neck | 16 | 116-1297 | 2 | Screw-Shoulder |
| 5 | 26-4840 | 4 | Spacer-Pin, Mounting | 18 | 116-0070 | 1 | Rod-Prop |
| 6 | 104-8300 | 18 | Nut-Nyloc 5/16-18 Flg | 19 | 103-2883 | 1 | Decal,Exmark Logo |
| 7 | 104-8301 | 4 | Nut-Nyloc 3/8-16 Flg | 20 | 3256-23 | 1 | Washer-5/16 Sae |
| 8 | 9266934 | 2 | Screw-HWH 5/16 X 1/2 Tf | | | | |



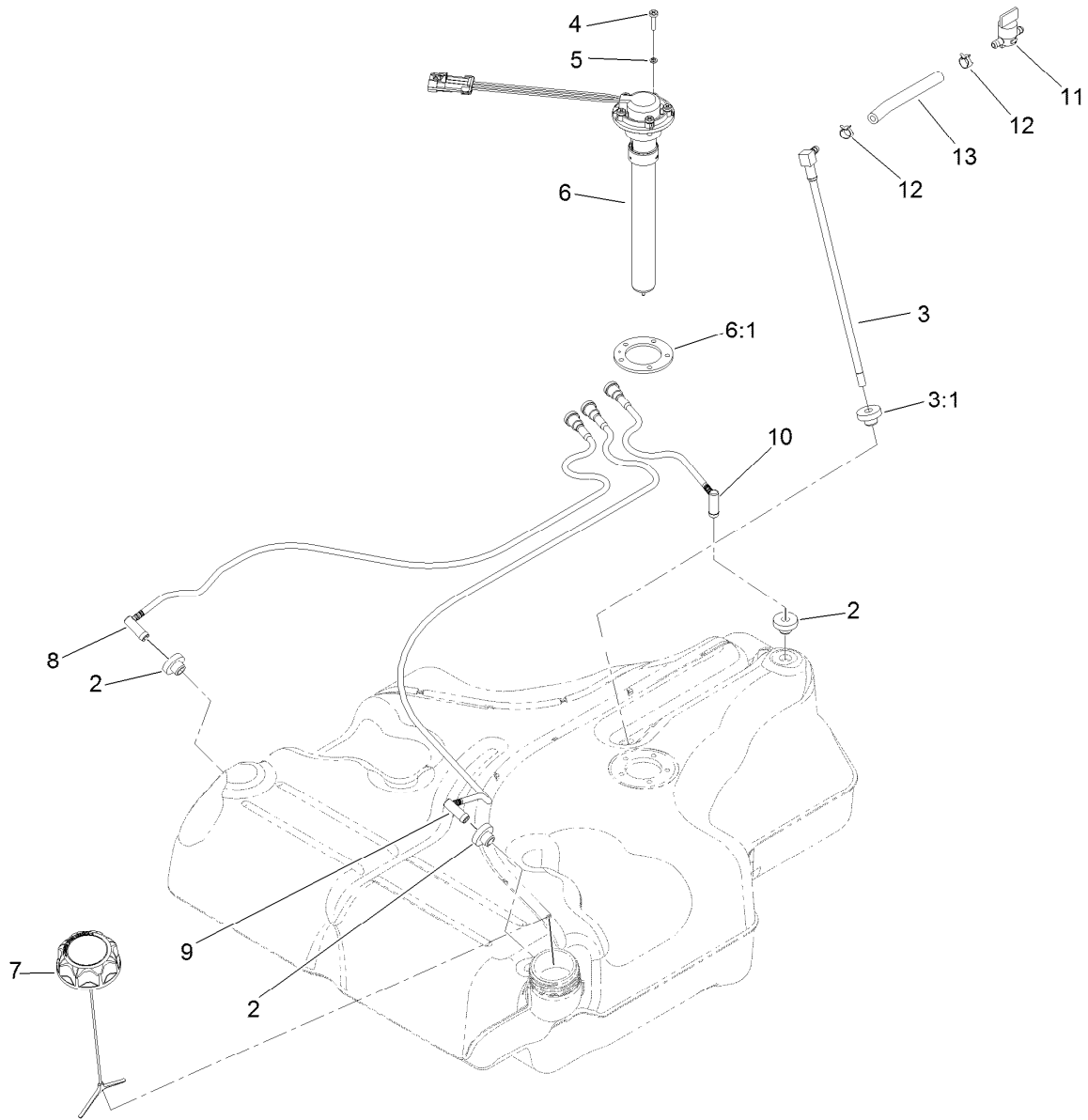
Seat W/Tracks Assembly No. 116-6187

| <i>Ref.</i> | <i>Part Number</i> | <i>Qty.</i> | <i>Description</i> |
|-------------|--------------------|-------------|--------------------------|
| 1 | 116-5655 | 1 | Set-Seat Track |
| 2 | 116-5656 | 1 | Cover-Back |
| 3 | 116-5657 | 1 | Cover-Cushion |
| 4 | 116-5658 | 1 | Knob-Adjuster |
| 5 | 116-5659 | 1 | Cover-Suspension Bellows |
| 6 | 109-9805 | 1 | Seat Belt Kit |
| 7 | 109-9803 | 1 | Arm Rest Set |
| 8 | 109-9802 | 1 | Arm Rest Pad Set |
| 9 | 82-2190 | 1 | Switch |



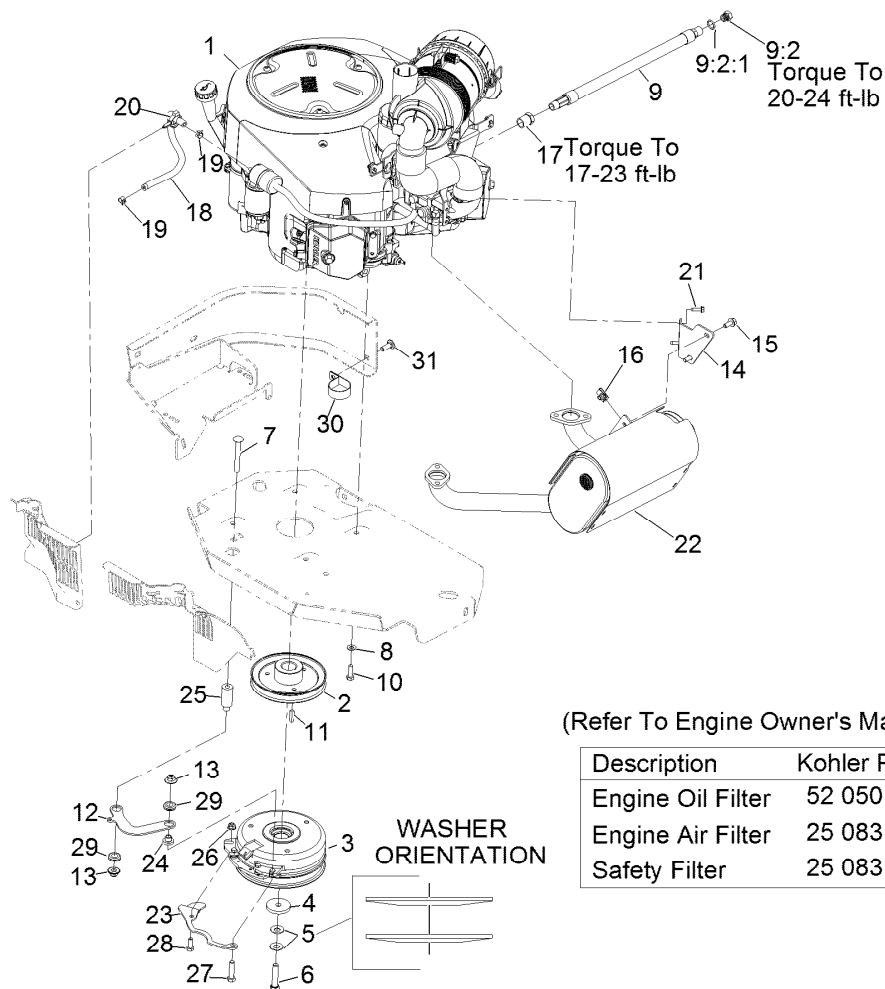
Fuel Tank Mounting Assembly

| Ref. | Part Number | Qty. | Description |
|------|-------------|------|-------------------------|
| 1 | 116-3979 | 1 | Fuel Tank ASM |
| 2 | 3218-1 | 2 | Nut-Jam |
| 3 | 116-6380 | 2 | Bumper-Rubber (W/ Stud) |
| 4 | 116-3977 | 1 | Hose ASM |
| 5 | 109-9491 | 1 | Fuel Manifold Vent ASM |
| 21 | 98-2952 | 1 | Fitting-Straight |
| 22 | 116-5087 | 1 | Hose-Fuel |
| 24 | 105-1853 | 1 | Clamp-Hose |
| 25 | 116-6005 | 1 | Retainer-Vapor Line |



Fuel Tank Assembly No. 116-3979

| Ref. | Part Number | Qty. | Description |
|------|-------------|------|-----------------------------------|
| 2 | 46-6560 | 4 | Bushing |
| 3 | 116-2459 | 1 | Fuel Line Kit (With Grommet) |
| 3:1 | 46-6560 | 1 | Bushing |
| 4 | 9107944 | 5 | Screw-Pan |
| 5 | 3253-17 | 5 | Washer-Lock |
| 6 | 116-0003 | 1 | Sender-Fuel Level |
| 6:1 | 109-9620 | 1 | Gasket-Sender, Fuel |
| 7 | 116-1704 | 1 | Cap-Fuel, Ratcheting |
| 8 | 116-2460 | 1 | RH Vent Line Kit (With Grommet) |
| 9 | 116-2461 | 1 | LH Vent Line Kit (With Grommet) |
| 10 | 116-2462 | 1 | Rear Vent Line Kit (With Grommet) |
| 11 | 1-603770 | 1 | Valve-Fuel |
| 12 | 2412-98 | 2 | Clamp-Hose |
| 13 | 109-0650 | 1 | Hose-Fuel |



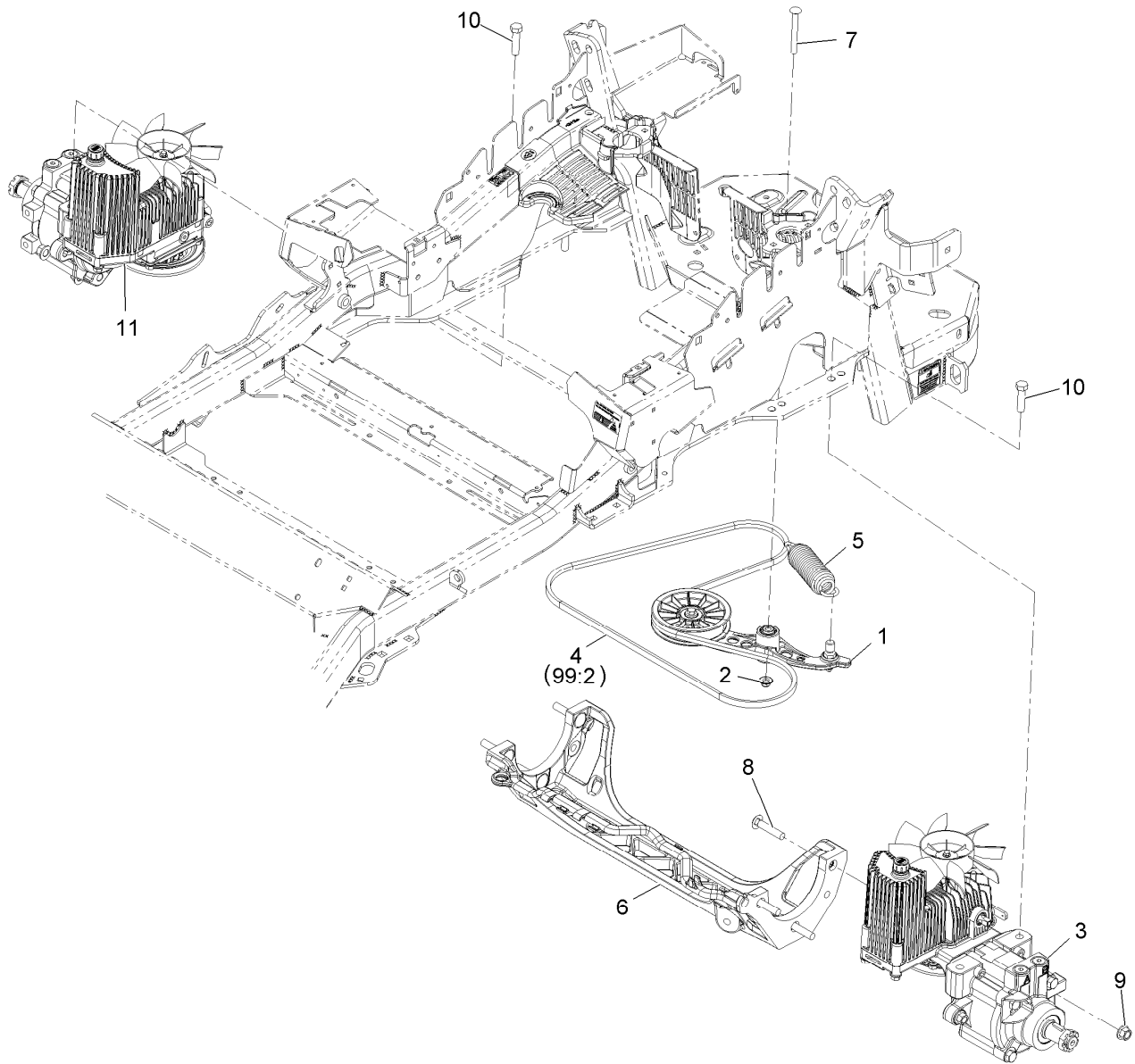
Engine Assembly

| Ref. | Part Number | Qty. | Description | Ref. | Part Number | Qty. | Description |
|-------|-------------|------|----------------------------------|------|-------------|------|----------------------------|
| 1 | | 1 | Engine-Kohler, Ps-Cv940-2010 ●■ | 15 | 3234-5 | 2 | Screw-HH Flg 5/16-18 X 3/4 |
| 2 | 109-9905 | 1 | Sheave | 16 | 94-2413 | 2 | U-Nut |
| 3 | 116-1621 | 1 | Clutch Kit | 17 | 103-1390 | 1 | Bushing |
| 4 | 109-6919 | 1 | Washer-Clutch | 18 | 109-0305 | 1 | Hose-Fuel Line 13 3/4" |
| 5 | 1-603610 | 2 | Washer-Spring Disc 7/16 | 19 | 2412-98 | 2 | Clamp-Hose |
| 6 | 109-9762 | 1 | Screw-HH 7/16-20 X 2 W/Loctite ▲ | 20 | 105-1853 | 1 | Clamp-Hose |
| 7 | 3231-42 | 1 | Bolt-Carriage 3/8-16 X 3 | 21 | 110-3986 | 2 | Screw-HH M6-1 X 20Mm |
| 8 | 1-303334 | 4 | Washer-Spring Disc 5/16 | 22 | 109-9880 | 1 | Muffler |
| 9 | 116-5316 | 1 | Oil Drain Hose ASM | 23 | 116-3331-01 | 1 | Belt-Guide |
| 9:2 | 353-508 | 1 | Plug-W/O-Ring | 24 | 116-3318 | 1 | Spacer |
| 9:2:1 | 237-42 | 1 | O-Ring | 25 | 116-3319 | 1 | Spacer |
| 10 | 33114-025 | 4 | Screw-HH M8-1.25 X 25Mm | 26 | 104-8300 | 1 | Nut-Nyloc 5/16-18 Flg |
| 11 | 1-807259 | 1 | Key-Machine 1/4 X 1/4 X 1 | 27 | 323-8 | 1 | Screw-HH 3/8-16 X 1 1/2 |
| 12 | 116-3317-01 | 1 | Link-Anchor, Clutch | 28 | 322-4 | 1 | Screw-HH 5/16-18 X 7/8 |
| 13 | 109-6658 | 2 | Nut-Nyloc 3/8-16 Flg | 29 | 93-5108 | 2 | Grommet-Rubber |
| 14 | 109-9218 | 1 | Bracket-Muffler | 30 | 2412-147 | 1 | Clamp |
| | | | | 31 | 3231-22 | 1 | Bolt-Carriage 3/8-16 X 1 |

● Not serviced separately

▲ Use Pro-Lock, Nut Type (P/N 1-840022, .5ml tube) on threads.

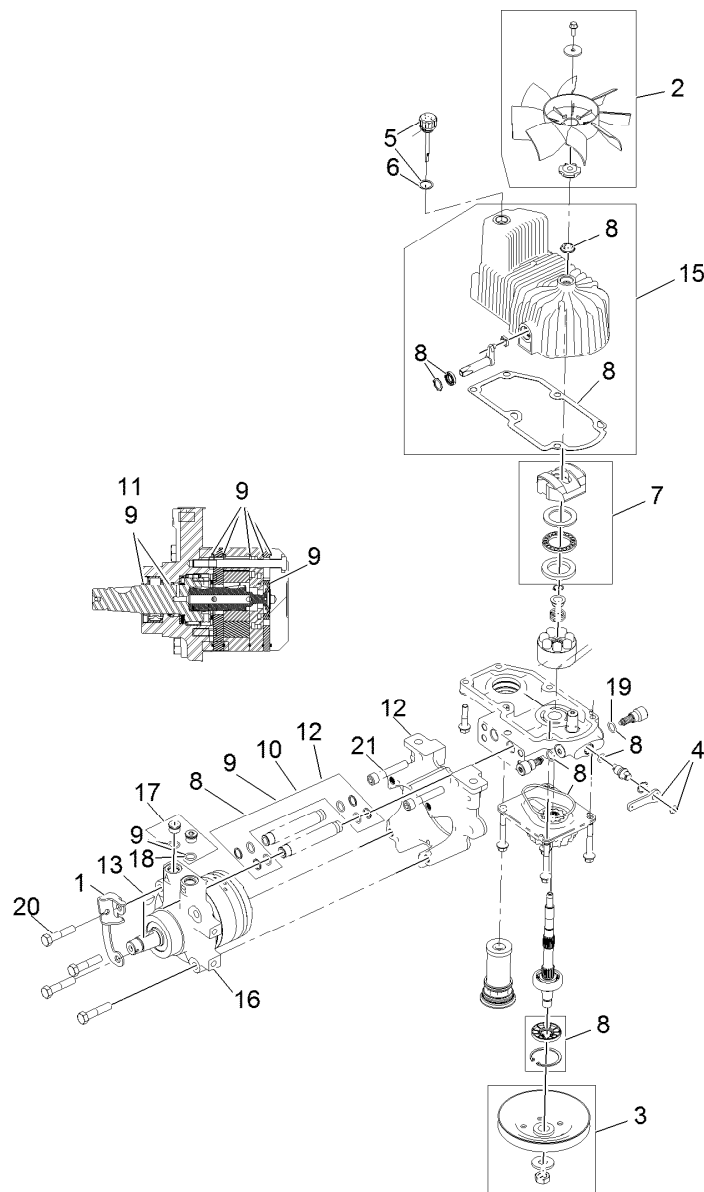
■ Obtain parts from www.kohlerplus.com



Hydraulic Assembly

| Ref. | Part Number | Qty. | Description | Ref. | Part Number | Qty. | Description |
|------|-------------|------|---------------------------------------|------|-------------|------|----------------------------------|
| 1 | 116-1255 | 1 | Pump Idler ASM | 10 | 325-8 | 4 | Screw-HH 1/2-13 X 1 1/4 |
| 2 | 109-6658 | 1 | Nut-Nyloc 3/8-16 Flg | 11 | 116-6410 | 1 | RH Hydro ASM (16Cc W/Shock) |
| 3 | 116-6409 | 1 | LH Hydro ASM (16Cc W/Shock) | 99 | 109-9828 | 1 | Bottle-Oil, 32Oz Hydraulic ● |
| 4 | 109-3388 | 1 | Belt | 99 | 116-0164 | 1 | Filter-Hydro ● |
| 5 | 116-6317 | 1 | Spring-Extension | 99 | 116-1218 | 1 | Bottle, Oil 1 Gallon Hydraulic ● |
| 6 | 109-9375 | 1 | Cradle-Hydro | 99 | 116-3270 | 1 | Kit, Hydro Service ● |
| 7 | 116-1502 | 1 | Bolt-Carriage Shoulder 3/8-16 X 3 1/2 | 99:1 | 109-9828 | 4 | Bottle-Oil, 32Oz Hydraulic ● |
| 8 | 3233-34 | 6 | Bolt-Carriage 1/2-13 X 2 1/2 | 99:2 | 109-3388 | 1 | Belt |
| 9 | 99-5107 | 6 | Nut-Lock 1/2-13 | 99:3 | 116-0164 | 2 | Filter-Hydro ● |

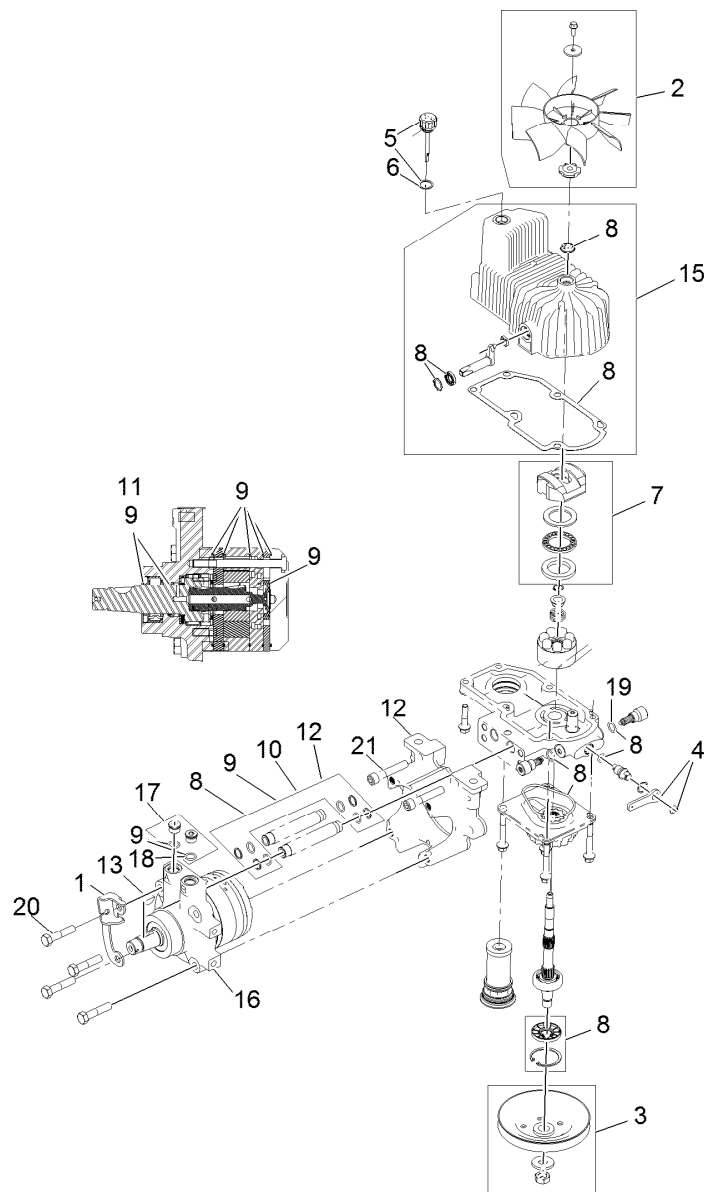
● Not illustrated



LH Hydro Assembly No. 116-6409

| Ref. | Part Number | Qty. | Description | Ref. | Part Number | Qty. | Description |
|------|-------------|------|-------------------------------|------|-------------|------|----------------------------|
| 1 | 116-6859 | 1 | Bracket-Anchor, Cable | 11 | 116-1371 | 1 | Output Shaft Seal Kit |
| 2 | 116-0233 | 1 | Fan Kit | 12 | 116-5469 | 1 | Nose Cup-Uht |
| 3 | 116-0234 | 1 | Pulley Kit | 13 | 3257-42 | 1 | Key-Woodruff 5/16 X 1 |
| 4 | 116-0235 | 1 | Handle-Bypass Valve, Hydro | 15 | 115-3287 | 1 | Housing-Hydro LH |
| 5 | 116-0236 | 1 | Dipstick-Hydro W/Gasket | 16 | 116-8917 | 1 | Motor-Hydraulic LH 280Cc |
| 6 | 116-0237 | 1 | Gasket-Dipstick, Hydro | 17 | 116-7901 | 1 | Kit-Service Magnetic Plugs |
| 7 | 116-1367 | 1 | Swash Block Kit | 18 | 76-1900 | 2 | O-Ring |
| 8 | 116-1368 | 1 | Pump Seal Kit | 19 | 116-8662 | 2 | O-Ring, Check Valve |
| 9 | 116-1369 | 1 | Motor Seal Kit | 20 | 116-8974 | 4 | Screw-HH 1/2-20 X 2 1/4 |
| 10 | 116-1370 | 1 | Tube Seal Kit | 21 | 116-8975 | 2 | Screw-HSH 1/2-20 X 2 3/4 |
| | | | | 99 | 116-1373 | 1 | Flow Test Kit ● |

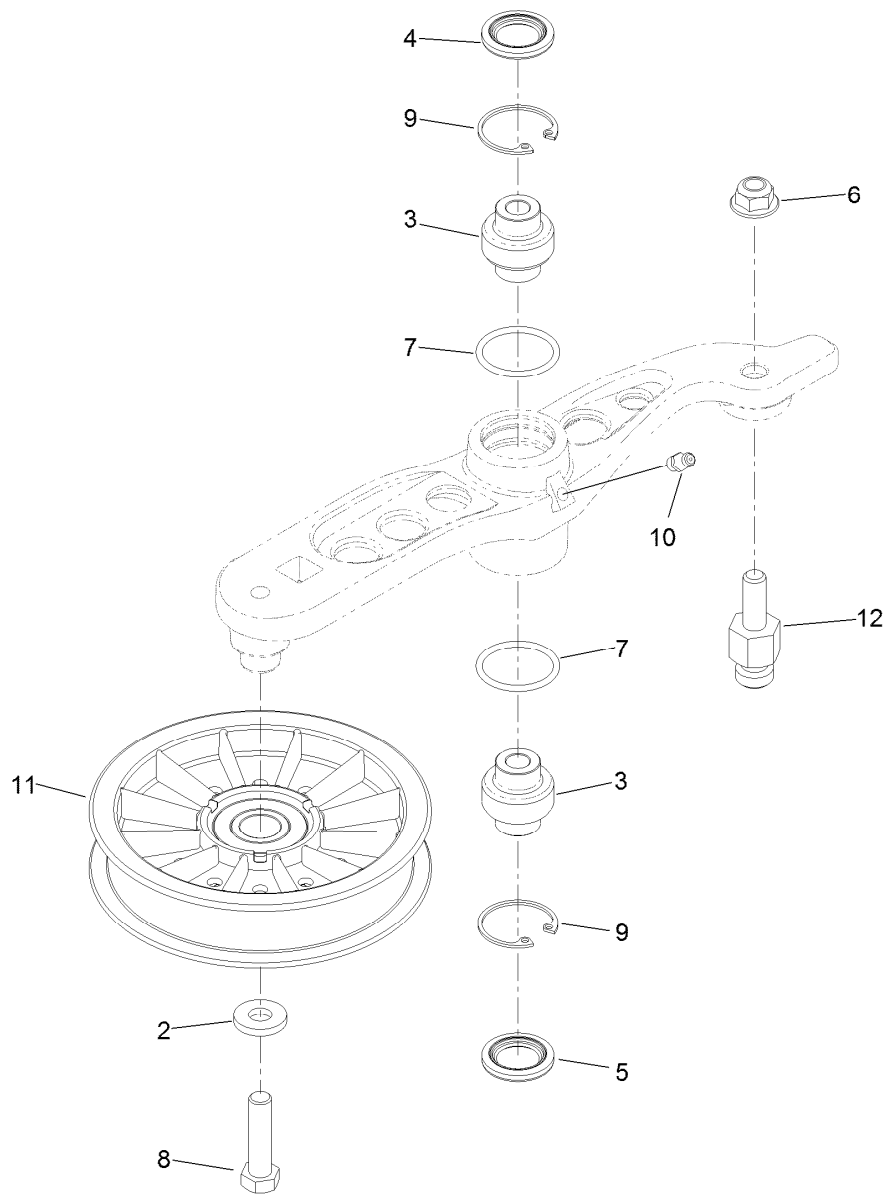
● Not illustrated



RH Hydro Assembly No. 116-6410

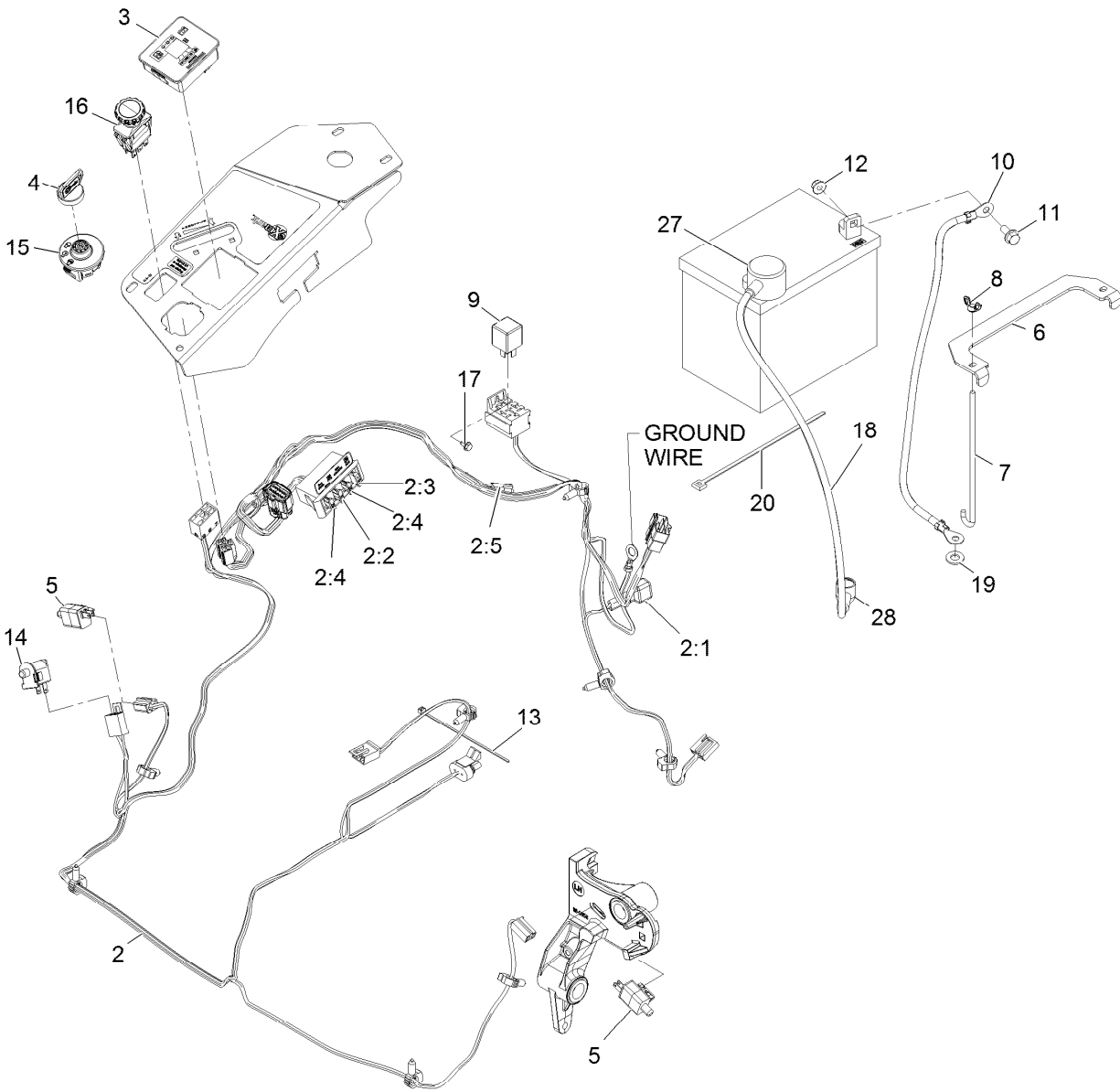
| Ref. | Part Number | Qty. | Description | Ref. | Part Number | Qty. | Description |
|------|-------------|------|-------------------------------|------|-------------|------|----------------------------|
| 1 | 116-6859 | 1 | Bracket-Anchor, Cable | 11 | 116-1371 | 1 | Output Shaft Seal Kit |
| 2 | 116-0233 | 1 | Fan Kit | 12 | 116-5469 | 1 | Nose Cup-Uht |
| 3 | 116-0234 | 1 | Pulley Kit | 13 | 3257-42 | 1 | Key-Woodruff 5/16 X 1 |
| 4 | 116-0235 | 1 | Handle-Bypass Valve, Hydro | 15 | 116-3288 | 1 | Housing-RH |
| 5 | 116-0236 | 1 | Dipstick-Hydro W/Gasket | 16 | 116-8918 | 1 | Motor-Hydraulic RH 280Cc |
| 6 | 116-0237 | 1 | Gasket-Dipstick, Hydro | 17 | 116-7901 | 1 | Kit-Service Magnetic Plugs |
| 7 | 116-1367 | 1 | Swash Block Kit | 18 | 76-1900 | 2 | O-Ring |
| 8 | 116-1368 | 1 | Pump Seal Kit | 19 | 116-8662 | 2 | O-Ring, Check Valve |
| 9 | 116-1369 | 1 | Motor Seal Kit | 20 | 116-8974 | 4 | Screw-HH 1/2-20 X 2 1/4 |
| 10 | 116-1370 | 1 | Tube Seal Kit | 21 | 116-8975 | 2 | Screw-HSH 1/2-20 X 2 3/4 |
| | | | | 99 | 116-1373 | 1 | Flow Test Kit ● |

● Not illustrated



Pump Idler Assembly No. 116-1255

| Ref. | Part Number | Qty. | Description |
|------|-------------|------|--------------------|
| 2 | 43-0940 | 1 | Spacer |
| 3 | 103-3504 | 2 | Bearing-Spherical |
| 4 | 103-3505 | 1 | Seal-Double Lip |
| 5 | 103-3506 | 1 | Seal-Single Lip |
| 6 | 109-6658 | 1 | Nut-Flange, NI |
| 7 | 106-7159 | 2 | O-Ring |
| 8 | 323-8 | 1 | Screw-HH |
| 9 | 32120-10 | 2 | Ring-Snap |
| 10 | 302-19 | 1 | Fitting-Grease |
| 11 | 109-8076 | 1 | Pulley-Idler |
| 12 | 116-3467 | 1 | Pin-Spring, Anchor |



Electrical Assembly

| Ref. | Part Number | Qty. | Description | Ref. | Part Number | Qty. | Description |
|------|-------------|------|-------------------------|------|-------------|------|----------------------------|
| 2 | 116-6009 | 1 | Harness-Wire, Main ● | 10 | 114-1218 | 1 | Cable-Battery, Negative |
| 2:1 | 103-3895 | 1 | Diode-Tvs | 11 | 3234-5 | 2 | Screw-HH Flg 5/16-18 X 3/4 |
| 2:2 | 218-578 | 1 | Fuse-Blade, 10 Amp | 12 | 104-8300 | 2 | Nut-Nyloc 5/16-18 Flg |
| 2:3 | 109355 | 1 | Fuse-Blade, 15 Amp | 13 | 1-303287 | 3 | Tie-Cable 5 1/2 (Small) |
| 2:4 | 109102 | 2 | Fuse-Blade, 25 Amp | 14 | 82-2190 | 1 | Switch |
| 2:5 | 116-0053 | 1 | Cap-Plug | 15 | 117-2221 | 1 | Switch-Ignition |
| 3 | 117-3882 | 1 | Fuel/Hour Meter ASM | 16 | 116-0124 | 1 | Switch-PTO, 10A |
| 4 | 1-603511 | 1 | Key-Ignition | 17 | 104-2065 | 1 | Screw-HWH #10-24 X 3/8 |
| 4 | 103-2106 | 1 | Key-Exmark Logo | 18 | 115-3864 | 1 | Cable-Battery, Positive |
| 5 | 110-6765 | 2 | Switch-Single Pole No | 19 | 3256-24 | 1 | Washer-3/8 Sae |
| 6 | 116-0042-03 | 1 | Strap-Tie Down, Battery | 20 | 1-303335 | 1 | Tie-Cable 7 15/16 (Large) |
| 7 | 1-633651 | 2 | Bolt-Holddown | 27 | 109-2407 | 1 | Insulator-Battery |
| 8 | 1-543792 | 2 | Wingnut-Nyloc 1/4-20 | 28 | 1-543393 | 1 | Insulator-Solenoid |
| 9 | 1-643275 | 1 | Relay-12Vdc 40 Amp | | | | |

● Use dielectric grease on all unsealed connectors and terminals only. Do not apply in sealed connectors.

Notes:

Notes:

Notes:

EXMARK® MAINTENANCE

MAXIMIZE THE PERFORMANCE OF YOUR EXMARK.

4-CYCLE PREMIUM ENGINE OIL

Part No. 116-3373

Both SAE 30 and SAE 10W-30 in one bottle.

Contains increased levels of zinc and phosphorus for better lubricity.

No Viscosity Index Improvers that tend to shear down in high heat.

Synthetic formulation.

Gas & Diesel compatible.

Anti-corrosion additives.

API 'SL' and JASO rated with wet clutch compatibility for other machines.

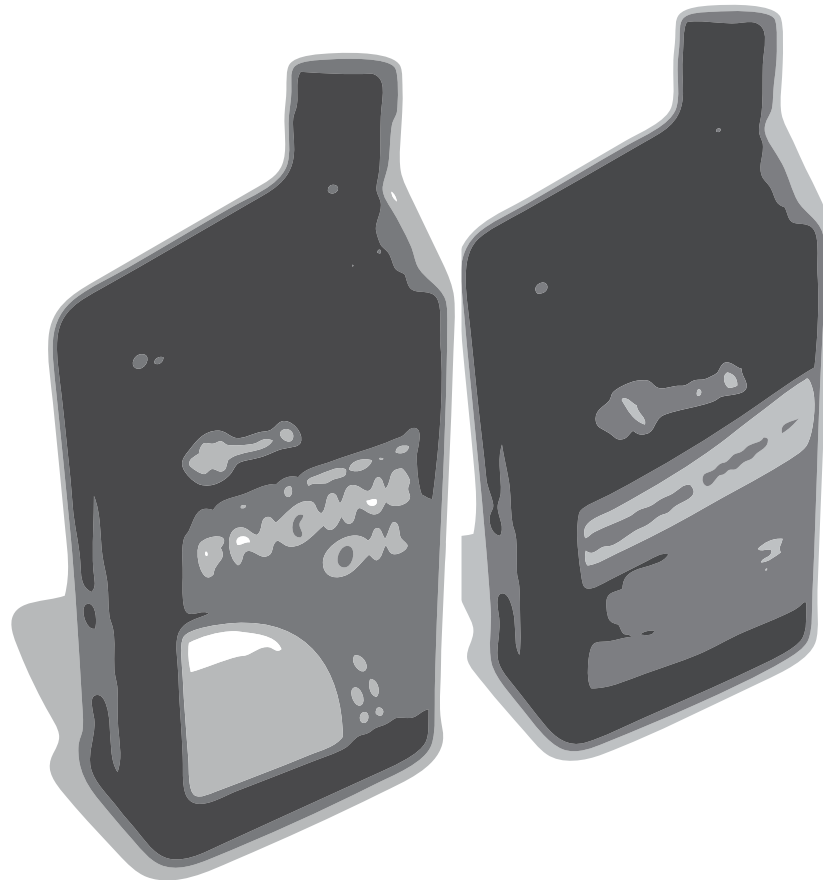
PREMIUM HYDRO OIL

Part No. 109-9828

Commercial quality for tough, high-heat conditions.

Designed specifically for zero-turn mower hydraulic systems.

Superior shear resistance under heavy loads.



Available from your local Exmark dealer. Find your closest dealer at exmark.com

EXMARK ACCESSORIES AND OPTIONS*

MID-MOUNT RIDING ACCESSORIES AND OPTIONS

| | |
|------------------------------------|---------------------------------|
| CUSTOM RIDE SEAT SUSPENSION SYSTEM | OPERATOR CONTROLLED DISCHARGE |
| FULL SUSPENSION SEAT | SUN SHADE |
| DECK LIFT ASSIST KIT | TRASH CONTAINER |
| HITCH KIT | TURF STRIPER |
| LIGHT KIT | ULTRA VAC COLLECTION SYSTEM |
| 12V POWER PORT | ULTRA VAC QUICK DISPOSAL SYSTEM |
| MICRO-MULCH SYSTEM | |

OUT-FRONT RIDING ACCESSORIES AND OPTIONS

| | |
|------------------------------------|---------------------------------|
| CUSTOM RIDE SEAT SUSPENSION SYSTEM | SNOW BLADE |
| DUAL-TAIL WHEEL | SNOWBLOWER |
| FLOOR PAN EXTENDER | SUN SHADE |
| HITCH KIT | TRASH CONTAINER |
| LIGHT KIT | ULTRA VAC COLLECTION SYSTEM |
| MICRO-MULCH SYSTEM | ULTRA VAC QUICK DISPOSAL SYSTEM |
| ROLL OVER PROTECTION SYSTEM (ROPS) | WEATHER CAB |

WALK-BEHIND ACCESSORIES AND OPTIONS

| | |
|--------------------|--------------|
| GRASS CATCHER | TURF STRIPER |
| MICRO-MULCH SYSTEM | STANDON |

*Some accessories and options not available for some models.

Place Model No. and Serial No.
Label Here (Included in the Literature
Pack) or Fill in Below

Model No. _____

Serial No. _____

Date Purchased _____

Engine Model No. and Spec. No. _____

Engine Serial No. (E/No) _____

© 2012 Exmark Mfg. Co., Inc.
Industrial Park Box 808
Beatrice, NE 68310
All Rights Reserved

Part No. 4501-037 Rev. B
(402) 223-6300
Fax (402) 223-5489
Printed in the USA.

