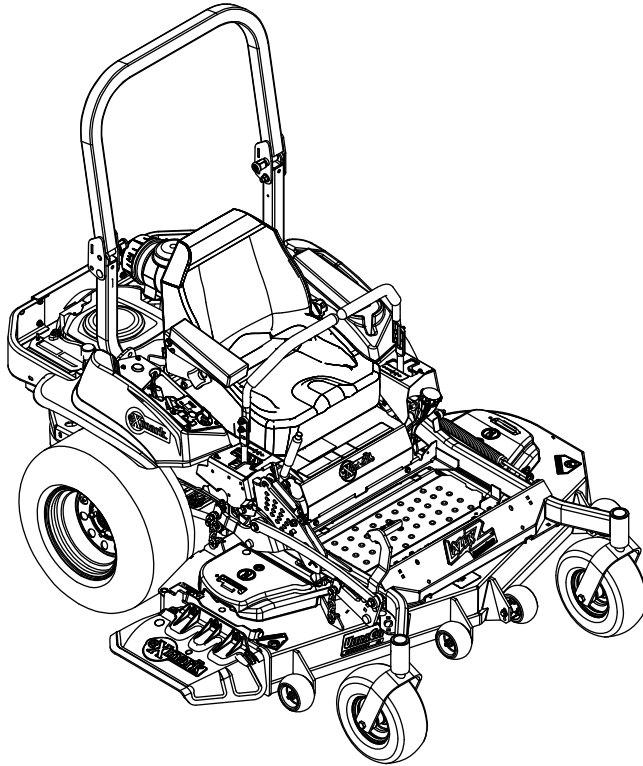




LAZER Z[®] S-SERIES

Model No. LZS29EKC724—Serial No. 920000 and Up



Parts Manual

Part No. 4500-811 Rev. A

Ordering Replacement Parts

To order replacement parts, please supply the part number, the quantity, and the description of each part desired.

Understanding Reference Numbers

Each identified part in an illustration has a reference number. The reference number for a part also appears in the parts list, along with other information about the part.

This catalog uses two special reference number formats, one to indicate parts in a service assembly and another to indicate the quantity of a given part in an illustration.

Service Assembly Reference Numbers

Parts in service assemblies have reference numbers in the form a:b. The a represents the reference number of the entire service assembly and the b represents a sequential number unique to each part within the service assembly.

For example, a wheel assembly might be identified by reference number 6, the tire by 6:1, the valve by 6:2, and the wheel by 6:3. When you order the assembly identified by reference number 6, you receive all parts identified by reference numbers 6:1, 6:2, and 6:3. However, you may also order any part individually. Reference numbers of this type appear in illustration and in parts lists.

Reference Numbers Indicating Quantity

In an illustration, if a reference number indicates more than one part, the reference number has the form nX y. The n represents the quantity of the part, the X is the multiplication symbol, and the y represents the reference number.

For example, in an illustration, the reference number 2X 37 means that two of the parts identified by reference number 37 are indicated.

List of Abbreviations

AR: as required	HOC: height-of-cut	RRB: rear roller brush
ASM: assembly	HSBH: hex socket button head	SFH: slotted fillister head
BBC: blade brake control	HSFH: hex socket flat head	SHH: slotted hex head
BHTF: button head thread forming	HSH: hex socket head	SHWH: slotted hex washer head
CARR: carriage	HWH: hex washer head	SPH: slotted pan head
CCW: counter clockwise	HWTF: hex washer head thread forming	SQH: square head
CW: clockwise	HYD: hydraulic	SRH: slotted round head
DEG: degrees	LH: left hand	STD: standard
DPA: Dual Point Adjustment	LP: Liquid Propane	TAP: self tapping
ECM: electronic control module	NI: nylon insert	TTH: torx truss head
EXT: external	NPTF: national pipe thread fine	
FH: flat head	PFH: phillips flat head	
GA: gauge	PPH: phillips pan head	
HD: heavy-duty	PPHTF: phillips pan head thread forming	
HF: hex flange	PRH: phillips round head	
HH: hex head	PTH: phillips truss head	
HHF: hex head flange	PTO: power-take-off	
HHFTF: hex head flange thread forming	RH: right hand	
HJ: hex jam	ROPS: roll-over protection system	
HLH: hex lag head		

Touch Up Paint

Exmark black touch up spray paint – gloss black.

Exmark red touch up paint (spray paint – P/N 1-850337 - .6 oz liquid bottle – P/N 103-9140).

EXMARK PARTS PLUS

PARTS

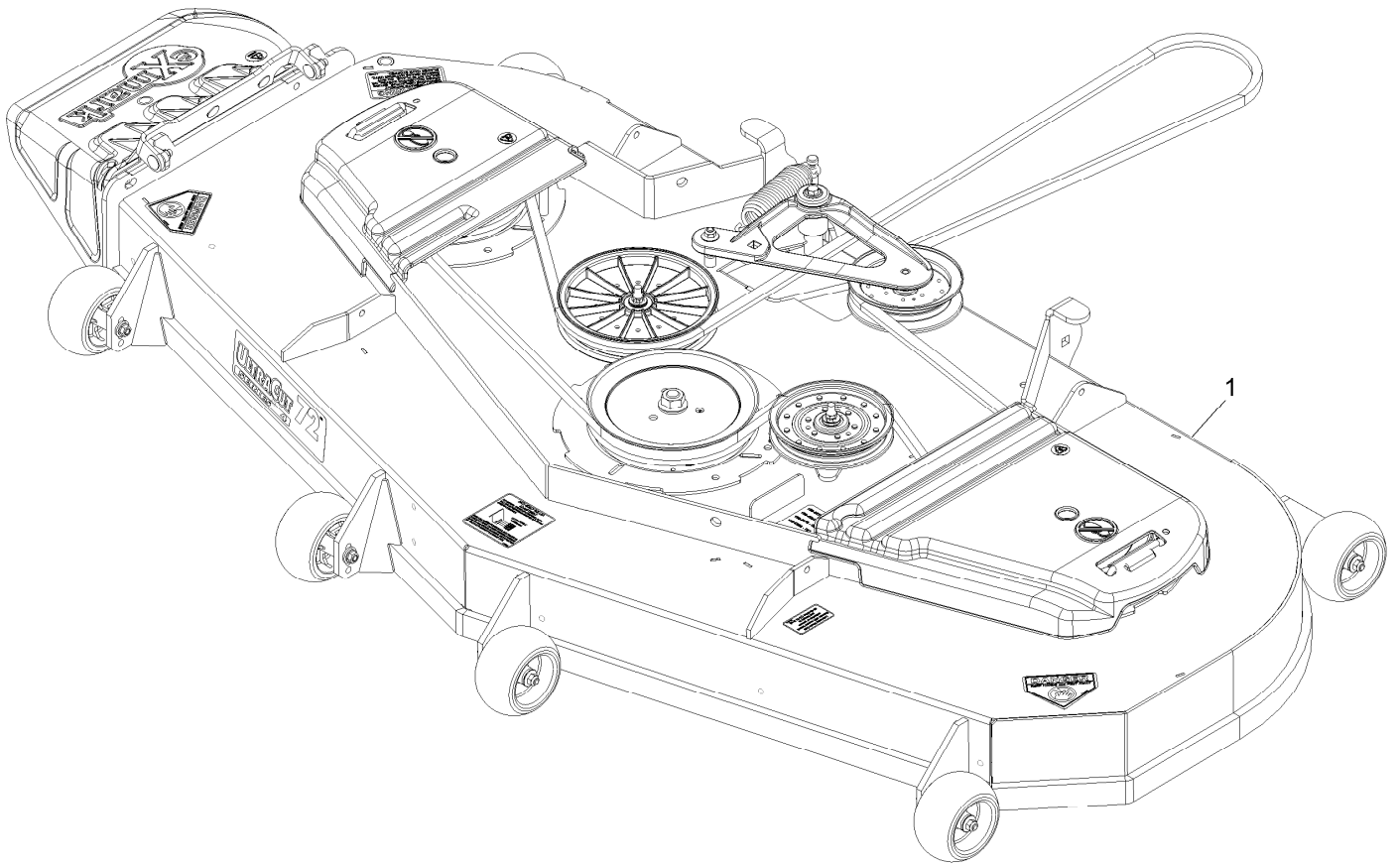
OVERNIGHT

OR *FREE**

If your Exmark dealer does not have the Exmark part in stock, Exmark will get the parts to the dealer the next business day or the part will be FREE Guaranteed!! (Some restrictions apply. See your participating Exmark Dealer for details.)

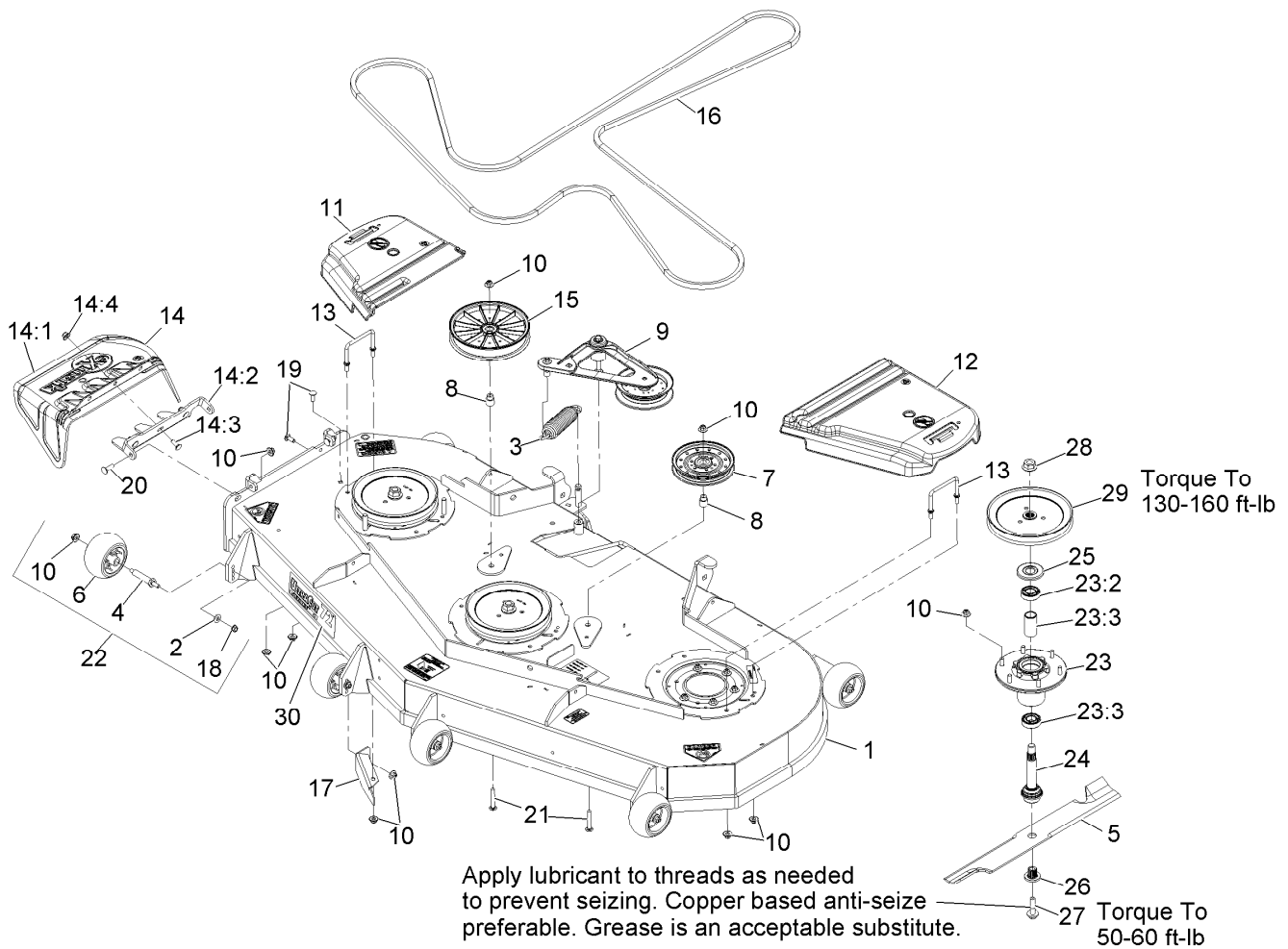
Contents

Complete Deck Assembly	5
Deck Assembly	6
Deck W/Decals Assembly No. 116-1665	7
Deck Idler Assembly No. 116-3755	8
Main Frame Assembly	9
Roll-Over Protection System Assembly No. 116-0230	10
Caster Wheel and Fork Assembly	11
Deck Lift Assembly	12
Height-of-Cut Assembly No. 109-7438	13
Controls Assembly	14
Motion Control Assembly	15
Rear Wheel and Park Brake Assembly	16
Brake Handle Assembly No. 116-1878	17
Seat Assembly	18
Seat W/Tracks Assembly No. 116-4474	19
Fuel Tank Mounting Assembly	20
Fuel Tank Assembly No. 116-3979	21
Engine Assembly	22
Hydraulic Assembly	23
Pump Idler Assembly No. 116-1255	24
LH Hydro Assembly No. 116-1324	25
RH Hydro Assembly No. 116-1325	26
Electrical Assembly	27



Complete Deck Assembly

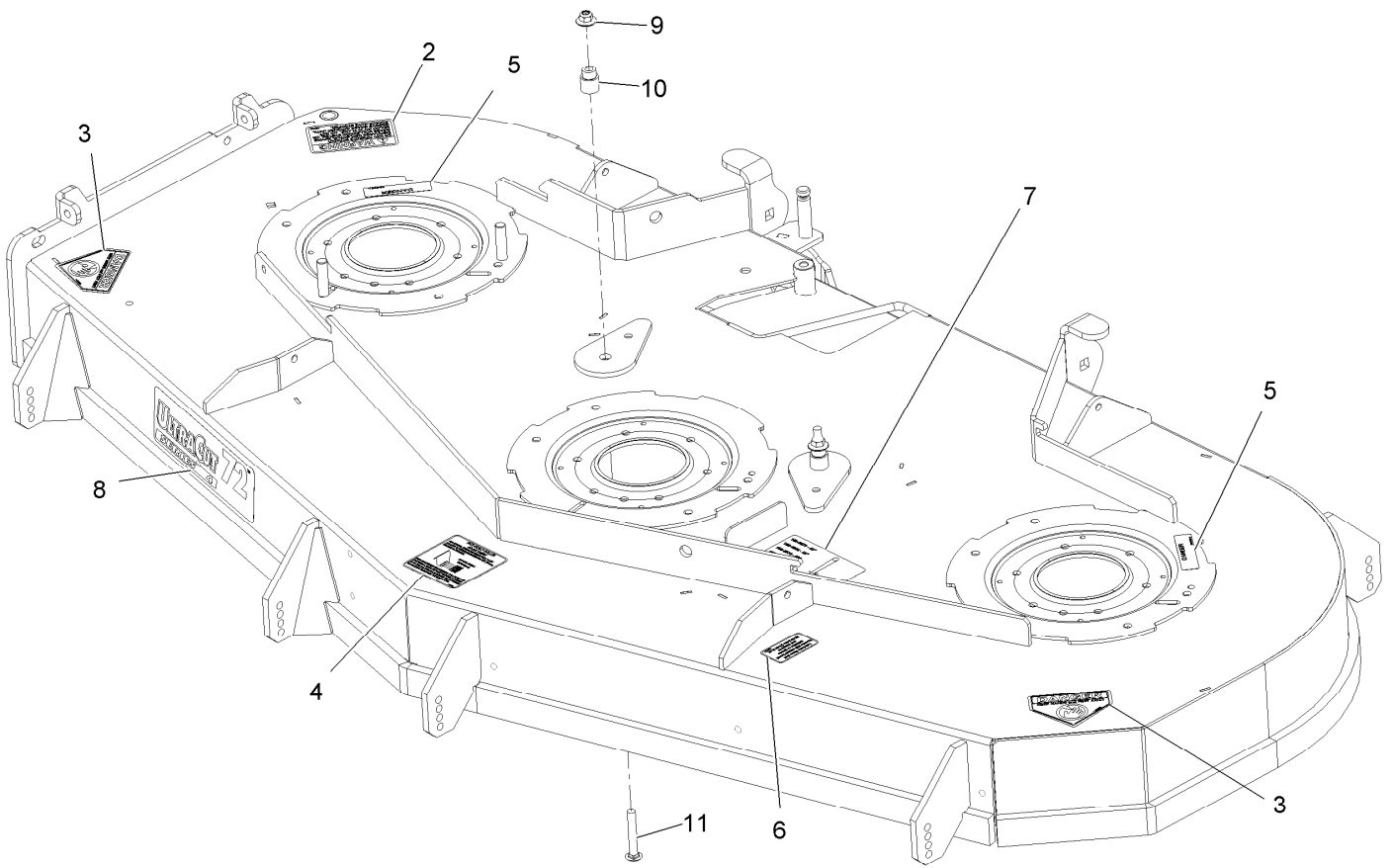
<i>Ref.</i>	<i>Part Number</i>	<i>Qty.</i>	<i>Description</i>
1	116-3600	1	ASM,724 Deck Complete



Deck Assembly

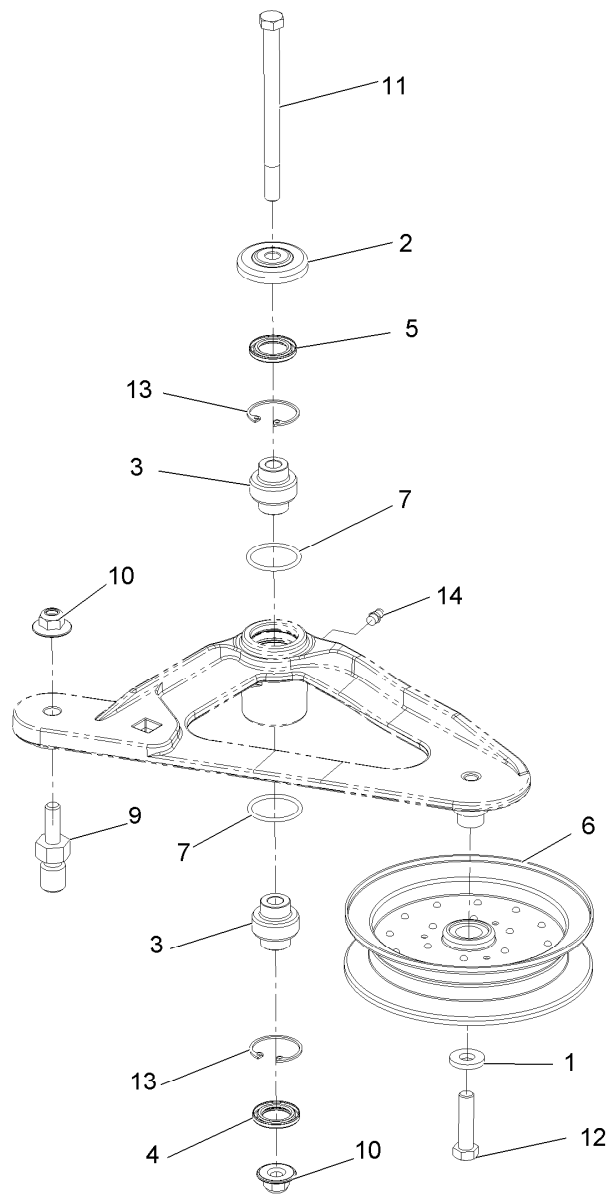
Ref.	Part Number	Qty.	Description	Ref.	Part Number	Qty.	Description
1	116-1665	1	ASM,Deck W/Decals 724	14:2	109-8675-01	1	Bracket,Discharge Chute
2	98-5975	6	Washer-Spring Disc 3/8	14:3	3231-22	3	Bolt-Carriage 3/8-16 X 1
3	116-0133	1	Extension-Spring	14:4	109-6658	3	Nut-Nyloc 3/8-16 Flg
4	99-2842	6	Spacer	15	109-0996	1	Pulley,Idler 8"flat
5	103-6404	3	Blade, Notched 24.5 (.94 Hole)	16	109-9023	1	Belt,V-5V X 219.00"
5	103-6399	3	Blade, Extreme 24.5 (.94 Hole)	17	109-9695-01	1	Baffle,Discharge 726
5	103-6394	3	Blade, Mulch 24.5 (.94 Hole) ●	18	3290-357	6	Nut-Whizlock 3/8-16
5	103-6389	3	Blade, Low Lift 24.5 (.94 Hole)	19	3231-22	2	Bolt-Carriage 3/8-16 X 1
5	103-6384	3	Blade, Solid 24.5 (.94 Hole)	20	3231-28	2	Bolt-Carriage 3/8-16 X 1 1/4
6	1-603299	6	Roller-Scalp, Anti	21	3231-44	2	Bolt-Carriage 3/8-16 X 2 1/2
7	1-633109	1	Idler-Flat	22	103-4051	6	Kit,Anti-Scalp Roller
8	1-633456	2	Bushing,Idler	23	116-3344	3	ASM-Cutter Hsg With Bearings
9	116-3755	1	Deck Idler ASM	23:2	116-0720	2	Bearing-Ball, 25Mm
10	109-6658	34	Nut-Nyloc 3/8-16 Flg	23:3	116-3312	1	Spacer-Bearing
11	116-0094	1	Cover-Belt, RH	24	116-3341	3	ASM-Spindle And Seal
12	109-6938	1	Cover-Belt, LH	25	116-1286	3	Guard,Bearing Top .989
13	109-6982	2	Wireform-Cover	26	103-3037	3	Bushing,Splined
14	109-7188	1	ASM,Discharge Chute	27	109-9220	3	Screw-Sems 1/2-20 X 2.19
14:1	109-2738	1	Chute,Discharge	28	104-0753	3	Nut-Hex 3/4-16 Flg Special
				29	116-1377	3	Sheave,Blade Drive 8.74
				30	116-0944	1	Decal,Ultracut 72 Series 4

● Requires installation of mulch kit for proper mulching. See your Exmark dealer for details.



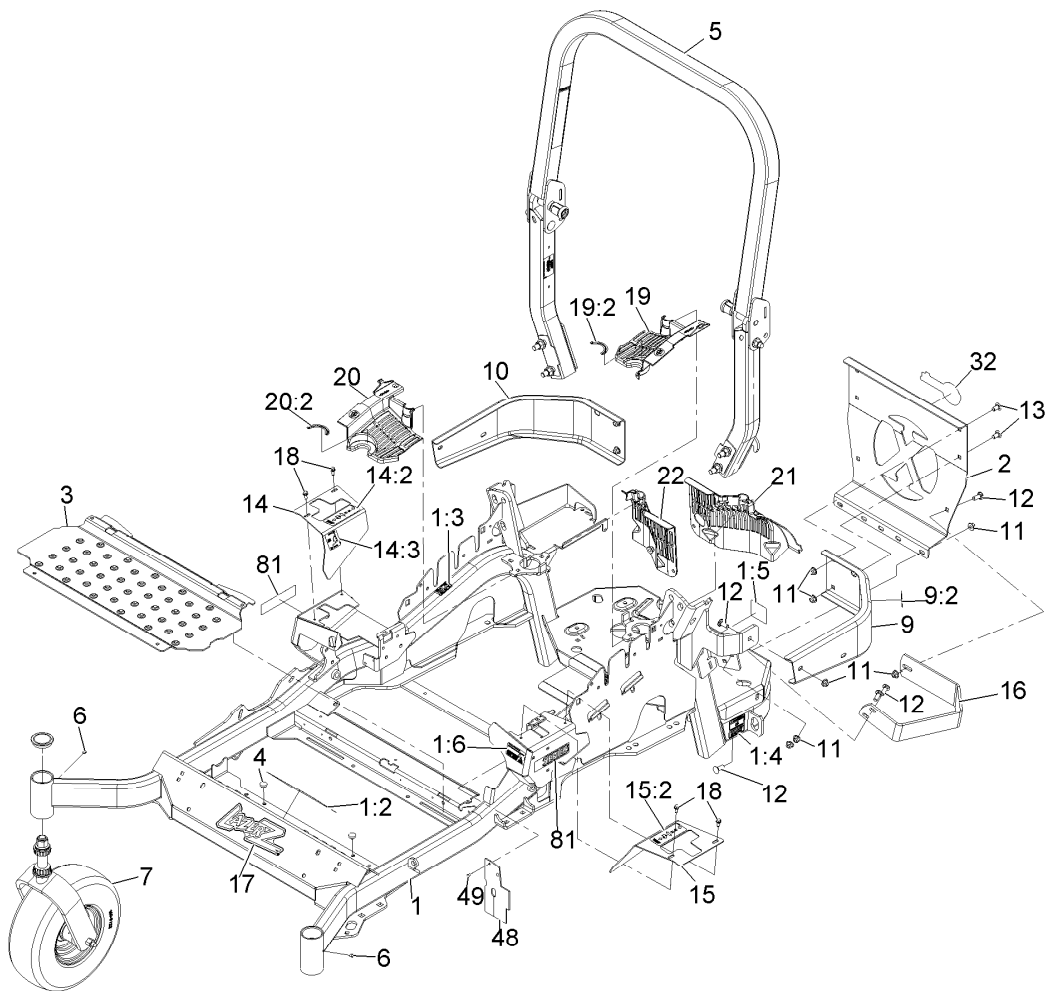
Deck W/Decals Assembly No. 116-1665

<i>Ref.</i>	<i>Part Number</i>	<i>Qty.</i>	<i>Description</i>
2	1-303508	1	Decal-Warning, Discharge
3	1-403005	2	Decal-Danger
4	1-633922	1	Decal,Antiscalp
5	98-5954	2	Decal-Cover, Missing
6	109-3148	1	Decal,Bolt Torque
7	109-9361	1	Decal,Belt Routing
8	116-0944	1	Decal,Ultracut 72 Series 4
9	109-6658	2	Nut-Nyloc 3/8-16 Flg
10	1-633456	2	Bushing,Idler
11	3231-44	2	Bolt-Carriage 3/8-16 X 2 1/2



Deck Idler Assembly No. 116-3755

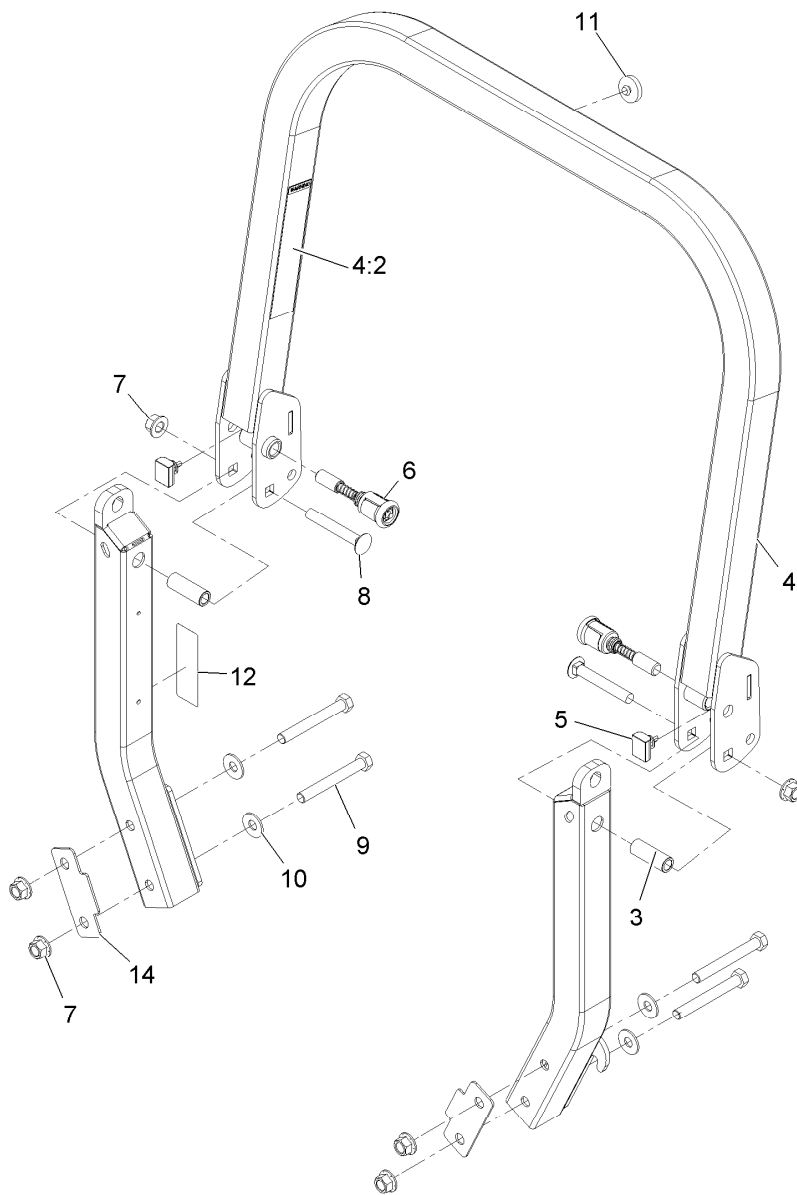
<i>Ref.</i>	<i>Part Number</i>	<i>Qty.</i>	<i>Description</i>
1	43-0940	1	Spacer-Hub, Blower
2	103-2916	1	Guard-Top
3	103-3504	2	Bearing-Spherical
4	103-3505	1	Seal-Double Lip
5	103-3506	1	Seal-Single Lip
6	103-8743	1	Pulley-Idler, Flanged
7	106-7159	2	O-Ring
9	116-3467	1	Pin, Spring Anchor
10	109-6658	2	Nut-Nyloc 3/8-16 Flg
11	109-7409	1	Screw-Shoulder 3/8-16 X 5
12	323-8	1	Screw-HH 3/8-16 X 1 1/2
13	32120-10	2	Ring-Retaining
14	302-19	1	Zerk-1/4-28 Str



Main Frame Assembly

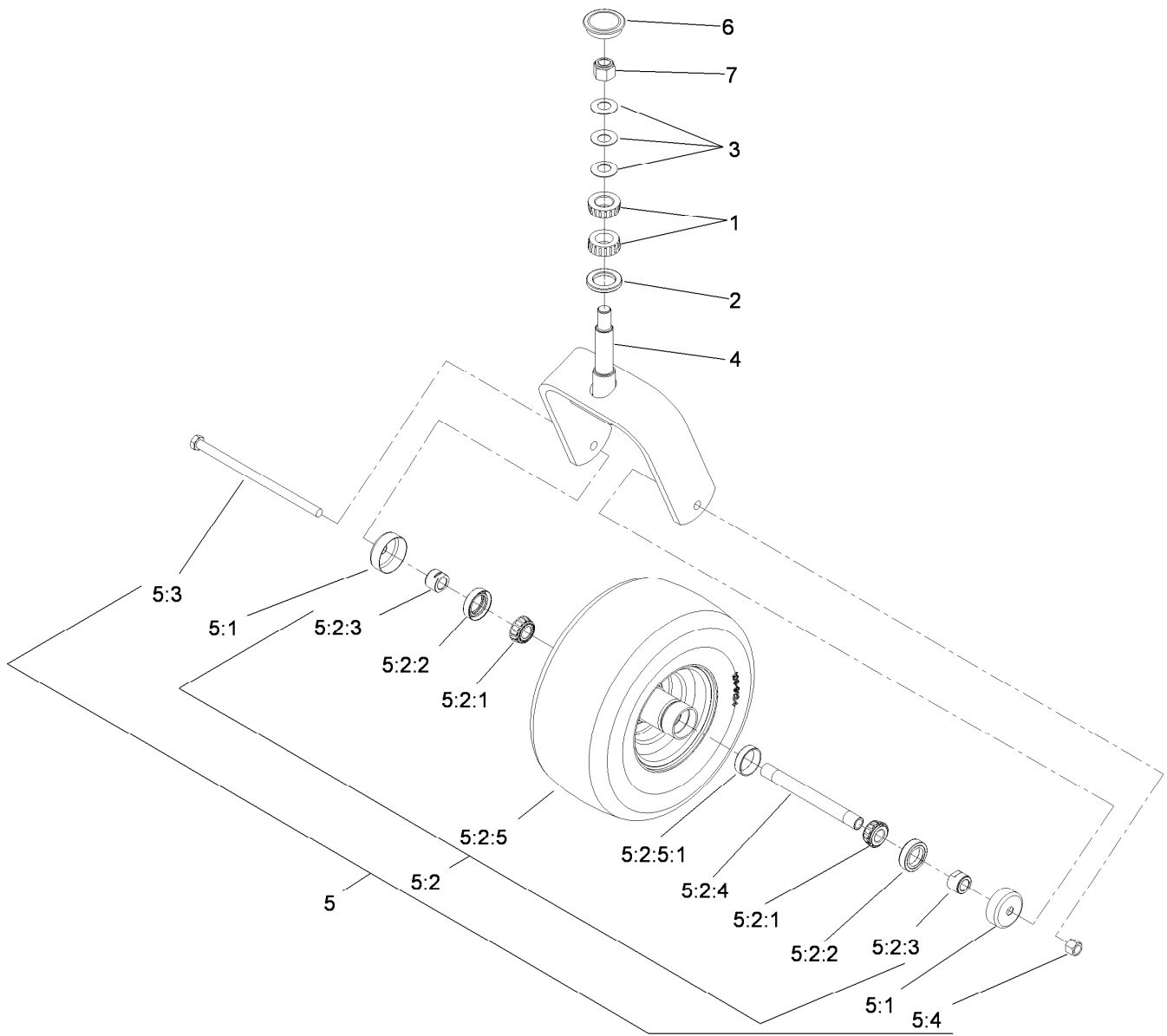
Ref.	Part Number	Qty.	Description	Ref.	Part Number	Qty.	Description
1	116-2128	1	Main Frame ASM	14:2	109-7232	1	Decal-Motion Control
1:2	103-2076	2	Decal-Caution	14:3	109-7929	1	Decal-Park Brake
1:3	116-3303	1	Decal-Slope	15	116-0580	1	LH Motion Control Cover ASM
1:4	116-0205	2	Decal-Belt Drive	15:2	109-7232	1	Decal-Motion Control
1:5	116-4858	1	Decal-Spark Arrester	16	116-0043-03	1	Guard-Muffler
1:6	116-1654	1	Decal Fuel Fill	17	103-3113	1	Decal,Lazer Model
2	109-8863-03	1	Plate,Rear Guard	18	32144-10	4	Screw-HWH 1/4-20 X .62
3	116-0024-01	1	Floorpan	19	116-0170	1	LH Hydro Guard ASM
4	1-513658	2	Bumper	19:2	116-0157	1	Decal-Hydro Oil
5	116-0230	1	ASM,ROPS Service Exmark	20	116-0171	1	RH Hydro Guard ASM
6	1-811010	2	Plug	20:2	116-0157	1	Decal-Hydro Oil
7		2	Caster Wheel ASM ●	21	109-9057	1	Guard-Hydro, Rear LH
9	116-0180	1	LH Bumper ASM	22	109-9058	1	Guard-Hydro, Rear RH
9:2	103-2076	1	Decal-Caution	32	103-2883	1	Decal,Exmark Logo
10	116-0057-03	1	Bumper-RH	48	116-2362	1	Deflector, Air Flow
11	104-8301	11	Nut-Nyloc 3/8-16 Flg	49	1-803035	2	Rivet 3/16 X 1/4
12	3231-22	7	Bolt-Carriage 3/8-16 X 1	81	116-3884	2	Decal-S-Series
13	3231-21	4	Bolt-Carriage 3/8-16 X 3/4				
14	116-0579	1	RH Motion Control Cover ASM				

● Not serviced separately



Roll-Over Protection System Assembly No. 116-0230

<i>Ref.</i>	<i>Part Number</i>	<i>Qty.</i>	<i>Description</i>
3	109-6653	2	Spacer
4	116-0019	1	Upper ROPS ASM
4:2	107-2102	1	Decal-Warning, Folding ROPS
5	109-5337	2	Bumper-ROPS
6	116-0104	2	Spring Pin ASM
7	99-5107	6	Nut-Lock 1/2-13
8	3233-10	2	Bolt-Carriage 1/2-13 X 3 1/2
9	325-17	4	Screw-HH 1/2-13 X 4
10	109-9505	4	Washer-Spring
11	109-9233	1	Bumper-Push-In, Rubber
12	116-0090	1	Decal-Caution
14	116-0960	2	Spacer

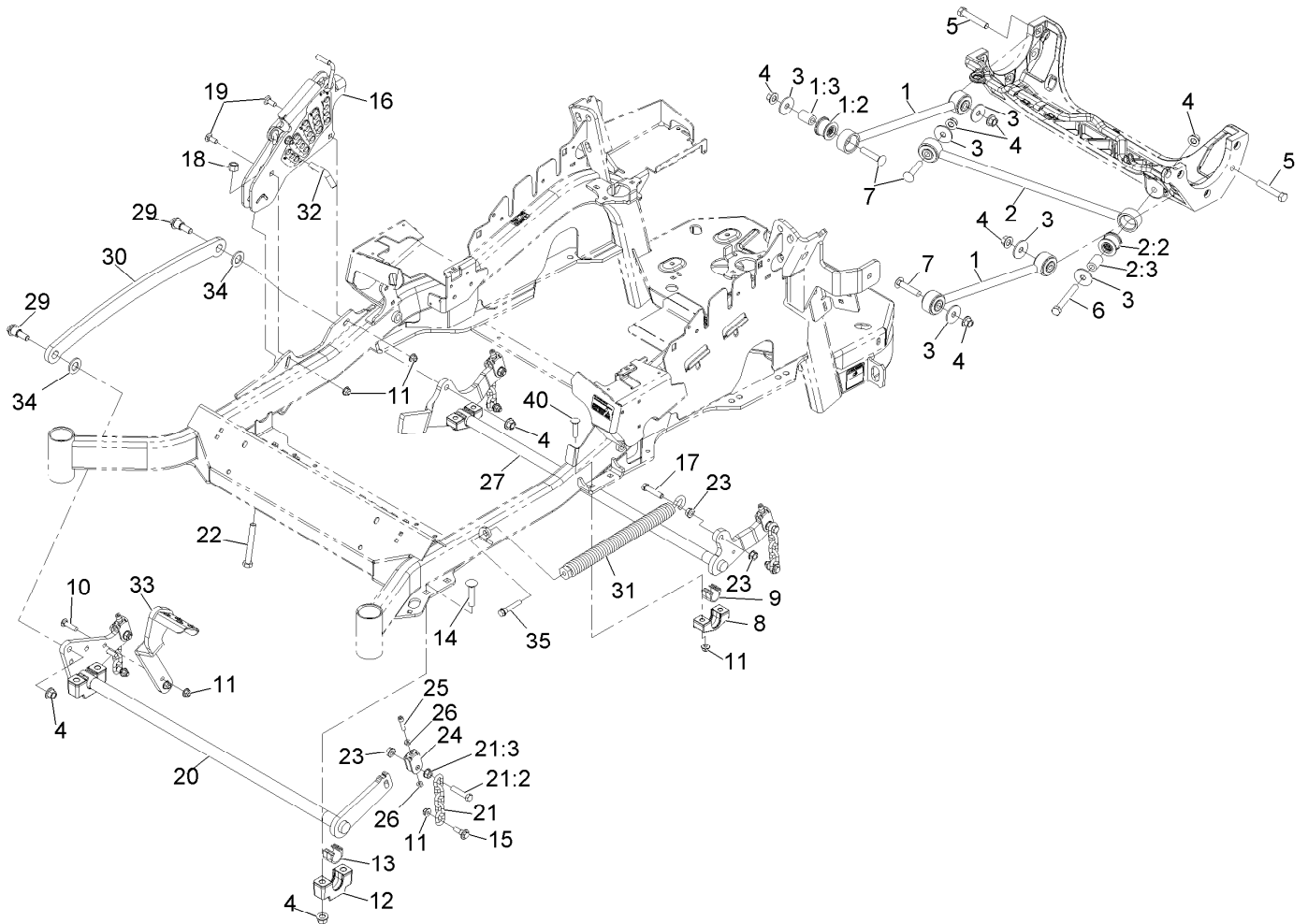


Caster Wheel and Fork Assembly

Ref.	Part Number	Qty.	Description	Ref.	Part Number	Qty.	Description
1	1-543509	2	Cone-Bearing Tapered Roller	5:2:2	103-0063	2	Seal-Double Lip
2	1-543511	1	Seal-Grease	5:2:3	103-3051	2	Spacer-Nut ■
3	1-633508	3	Washer-Spring Disc	5:2:4	103-5156	1	Axle-Caster
4	103-1474-01	1	Caster-Fork	5:2:5	109-9124	1	Wheel And Tire ASM
5	109-9127	1	Wheel And Tire ASM	5:2:5:1	1-633584	1	Bearing-Cup
5:1	103-2768	2	Guard-Seal	5:3	325-39	1	Screw-HH 1/2-13 X 9 1/2
5:2		1	Wheel And Tire ASM ●	5:4	3296-23	1	Nut-Nyloc 1/2-13
5:2:1	1-633585	2	Bearing-Cone Tapered Roller	6	103-4882	1	Cap-Grease
				7	3296-51	1	Nut-Nyloc 3/4-10

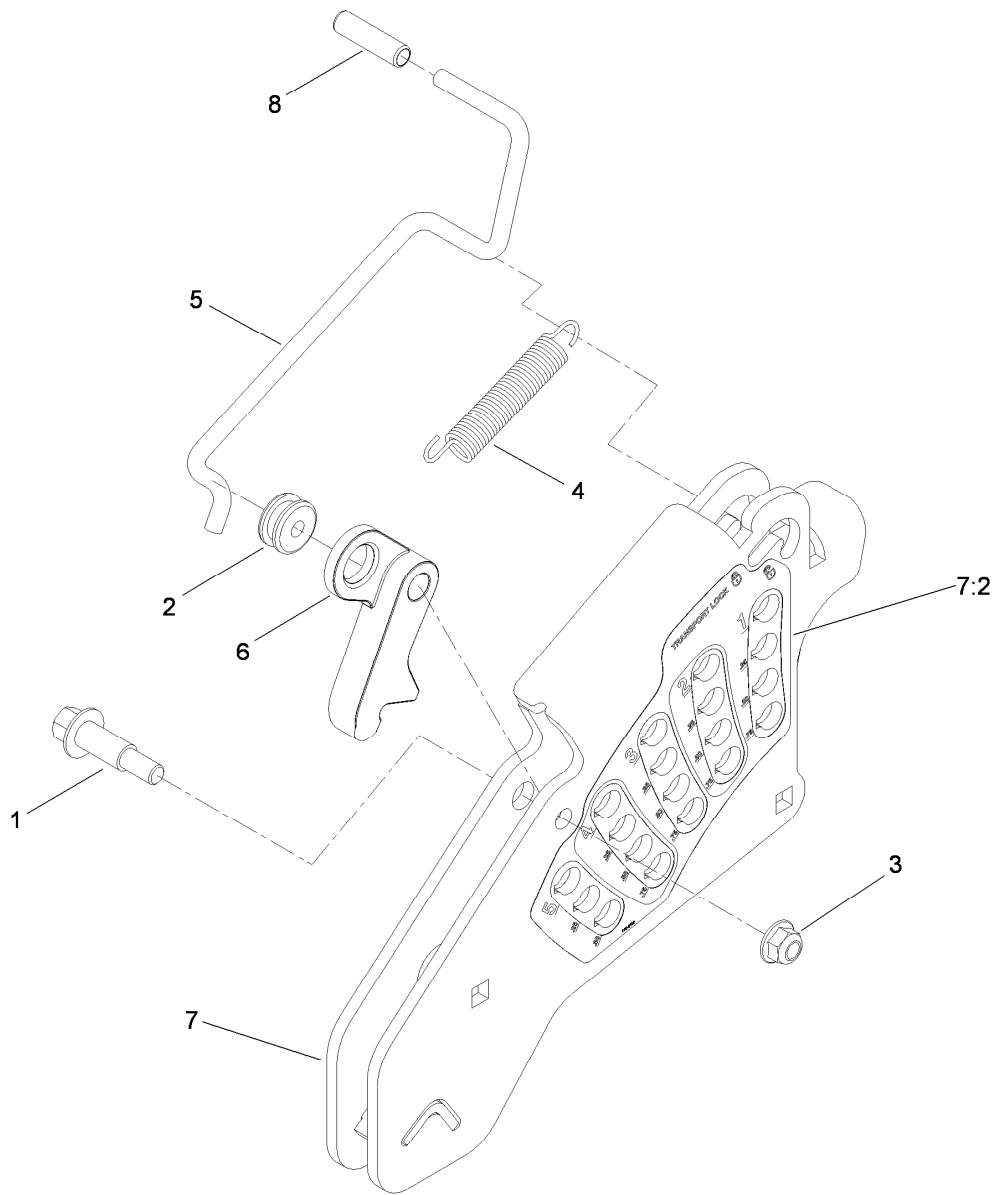
● Not serviced separately

■ Use Pro-Lock, Nut Type (P/N 1-840022, .5ml tube) on threads.



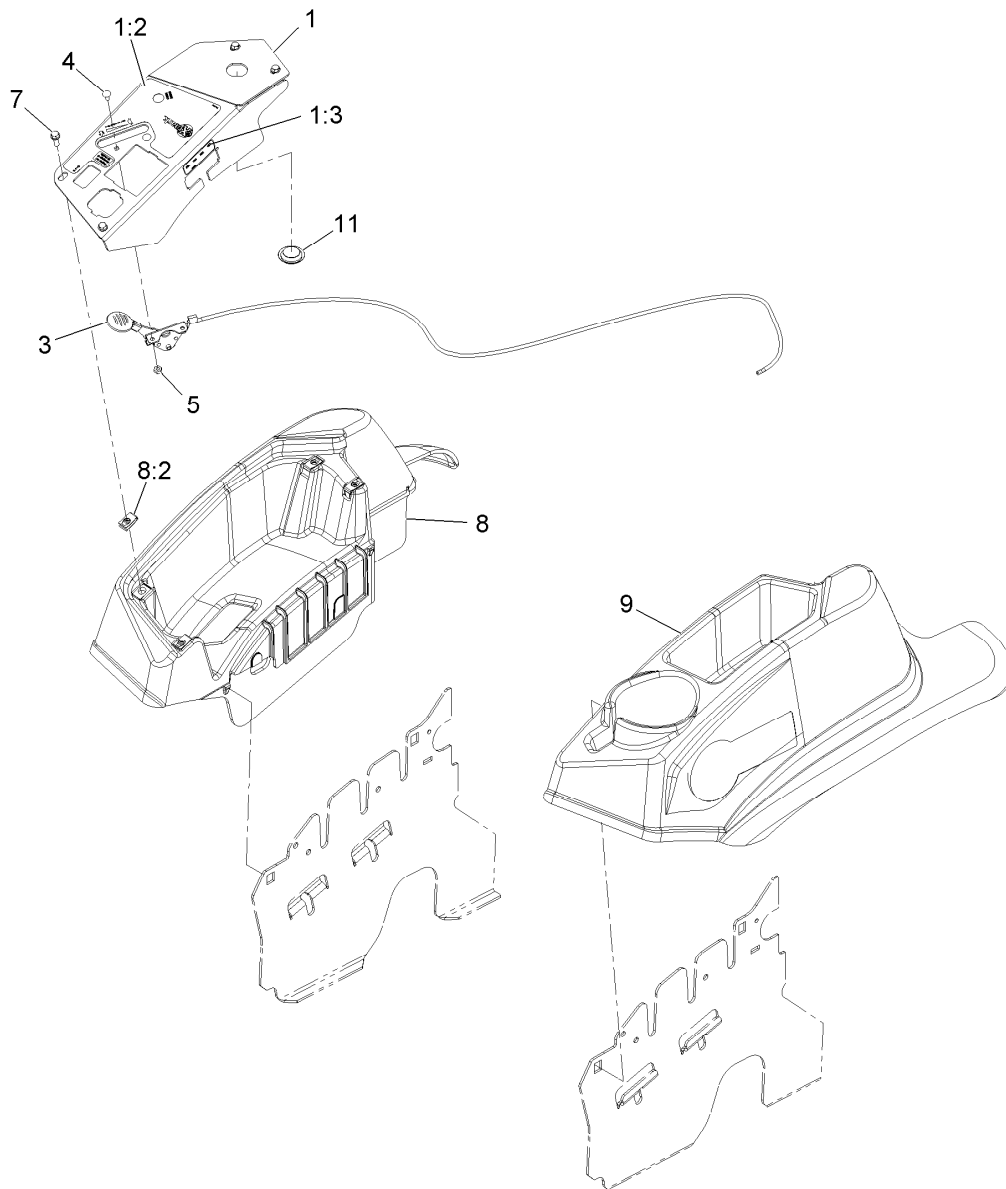
Deck Lift Assembly

Ref.	Part Number	Qty.	Description	Ref.	Part Number	Qty.	Description
1	109-7952	2	Deck Strut ASM	16	109-7438	1	Height-Of-Cut ASM
1:2	109-5009	2	Bushing-Suspension, Rubber	17	109-9065	1	Screw-HH 7/16-14 X 2
1:3	109-5010	2	Spacer	18	3296-23	1	Nut-Nyloc 1/2-13
2	109-5013	1	Panhard Rod ASM	19	3231-2	2	Bolt-Carriage 3/8-16 X 1
2:2	109-5009	2	Bushing-Suspension, Rubber	20	116-2217-03	1	Cross Shaft Front ASM
2:3	109-5010	2	Spacer	21	116-0756	4	Deck Lift Chain ASM
3	86-1990	6	Washer	21:2	109-9065	1	Screw-HH 7/16-14 X 2
4	99-5107	12	Nut-Lock 1/2-13	21:3	32128-37	1	Nut-Whizlock 7/16-14
5	325-12	2	Screw-HH 1/2-13 X 3	22	116-0559	1	Bolt-HH 1/2-13 X 4 Tap
6	325-17	1	Screw-HH 1/2-13 X 4	23	32128-37	6	Nut-Whizlock 7/16-14
7	3233-34	3	Bolt-Carriage 1/2-13 X 2 1/2	24	109-9066	4	Yoke-Adjust, Deck
8	116-0818-03	2	Support-Bearing, Cross Shaft Rear	25	3274-18	4	Screw-Sh 5/16-18 X 1 1/4
9	109-7173	2	Bearing-Cross, Rear Shaft	26	3218-2	8	Nut-Jam 5/16-18
10	3231-4	2	Bolt-Carriage 3/8-16 X 1 1/2	27	116-0459-03	1	Lift-Deck, Rear
11	104-8301	12	Nut-Nyloc 3/8-16 Flg	29	116-0780	2	Screw-Shoulder HHF 1/2-13 X 1.12
12	109-9409	2	Support-Cross Shaft, Bearing Front	30	116-0797-03	1	Link-Lift, Deck
13	109-9410	2	Bearing-Shaft Front, Cross	31	116-0000	1	Extension Spring ASM
14	116-1700	4	Bolt-Carriage 1/2-13 X 2 1/2 Spl Neck	32	109-8757	1	Pin-HOC
15	109-9840	4	Screw-Hex Flange 3/8-16 X .80	33	116-1919-01	1	Lever-Foot
				34	3256-28	2	Washer-3/4 Sae
				35	92-7674	1	Screw-Shcs 3/8-16 X 2.212
				40	3231-5	4	Bolt-Carriage 3/8-16 X 1 3/4



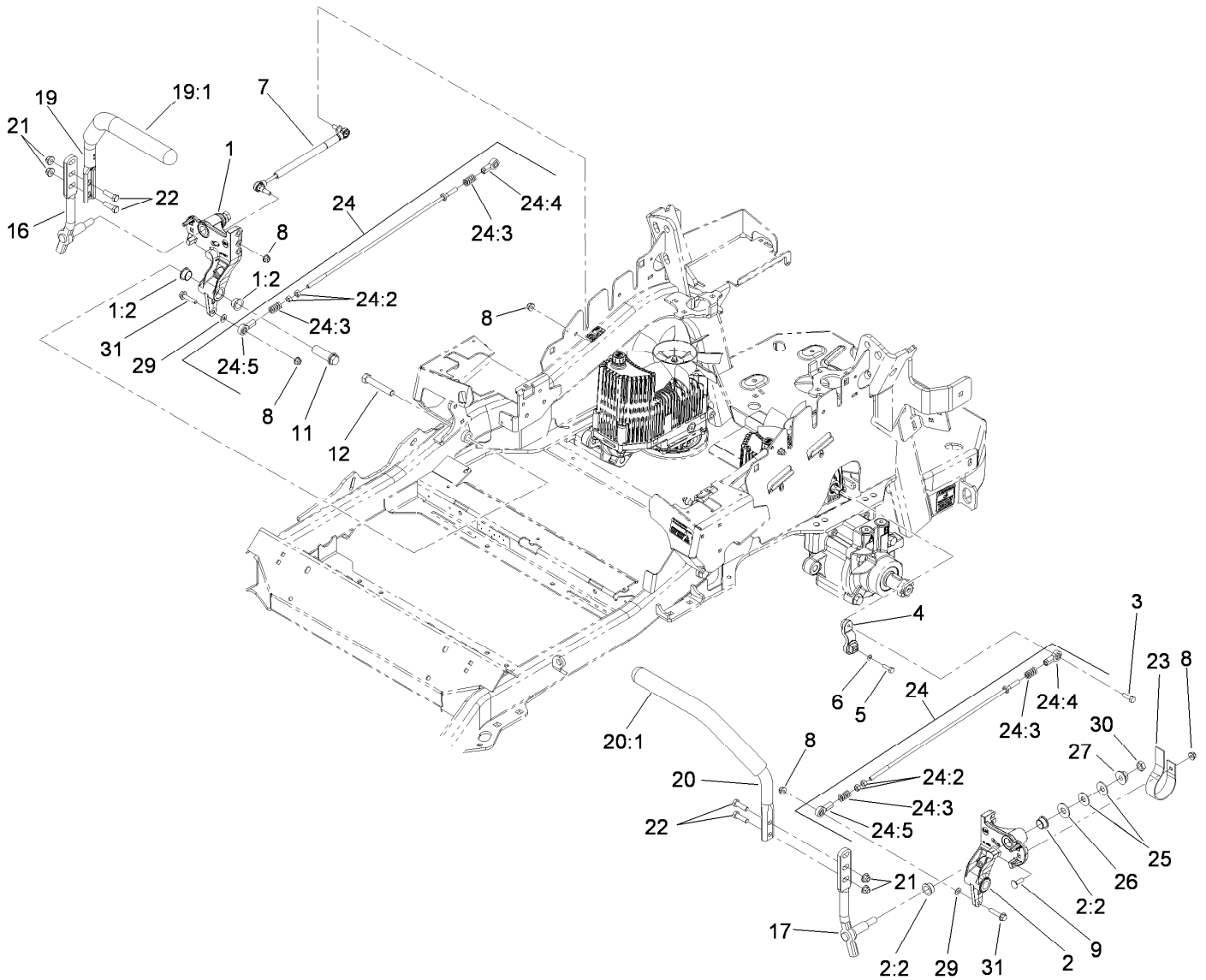
Height-of-Cut Assembly No. 109-7438

<i>Ref.</i>	<i>Part Number</i>	<i>Qty.</i>	<i>Description</i>
1	62-1330	1	Bolt-Shoulder
2	109-7130	1	Grommet
3	104-8301	1	Nut-Flange, NI
4	109-7124	1	Spring-Extension
5	109-7128	1	Rod-Lock, Transport
6	116-0118	1	Pawl-Transport, HOC
7	109-7335	1	HOC Plate ASM
7:2	116-0752	1	Decal-HOC
8	109-8250	1	Grip-Lever



Controls Assembly

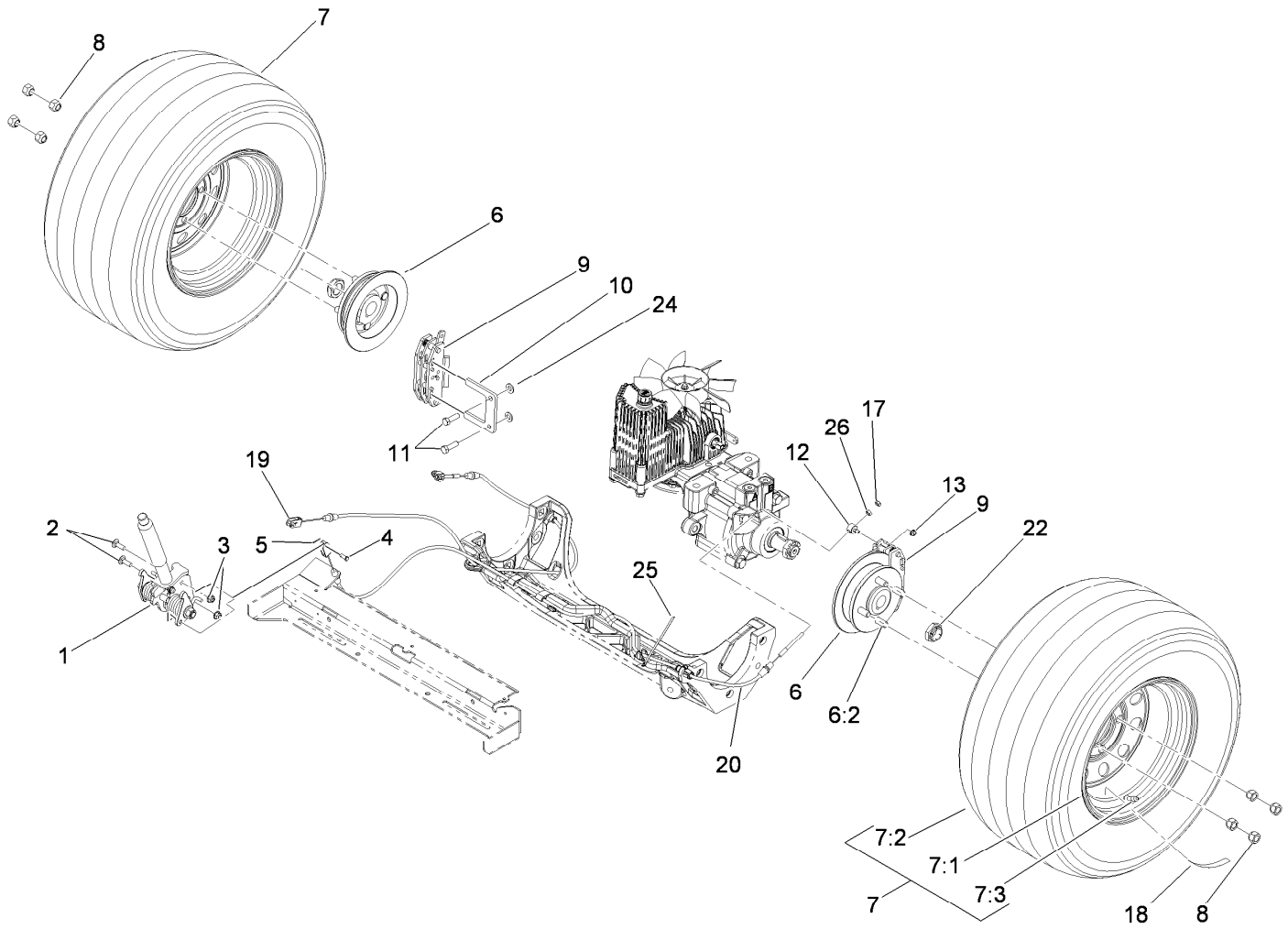
Ref.	Part Number	Qty.	Description
1	116-2845	1	ASM,Control Panel W/Decal
1:2	116-2844	1	Decal,Control Panel Efi
1:3	109-7330	1	Decal-Fuse
3	116-0969	1	ASM,Throttle Cable
4	1-807513	2	Bolt-Carriage #10-24 X 1/2
5	3296-2	2	Nut-Nyloc #10-24
7	32105-15	4	Screw-Machine 1/4-20 X 3/4
8	116-1278	1	Console,RH As ASM
8:2	107069	4	Nut-Retainer-Panel 1/4-20
9	109-9457	1	Console, LH As
11	116-1875	1	Plug,Plastic



Motion Control Assembly

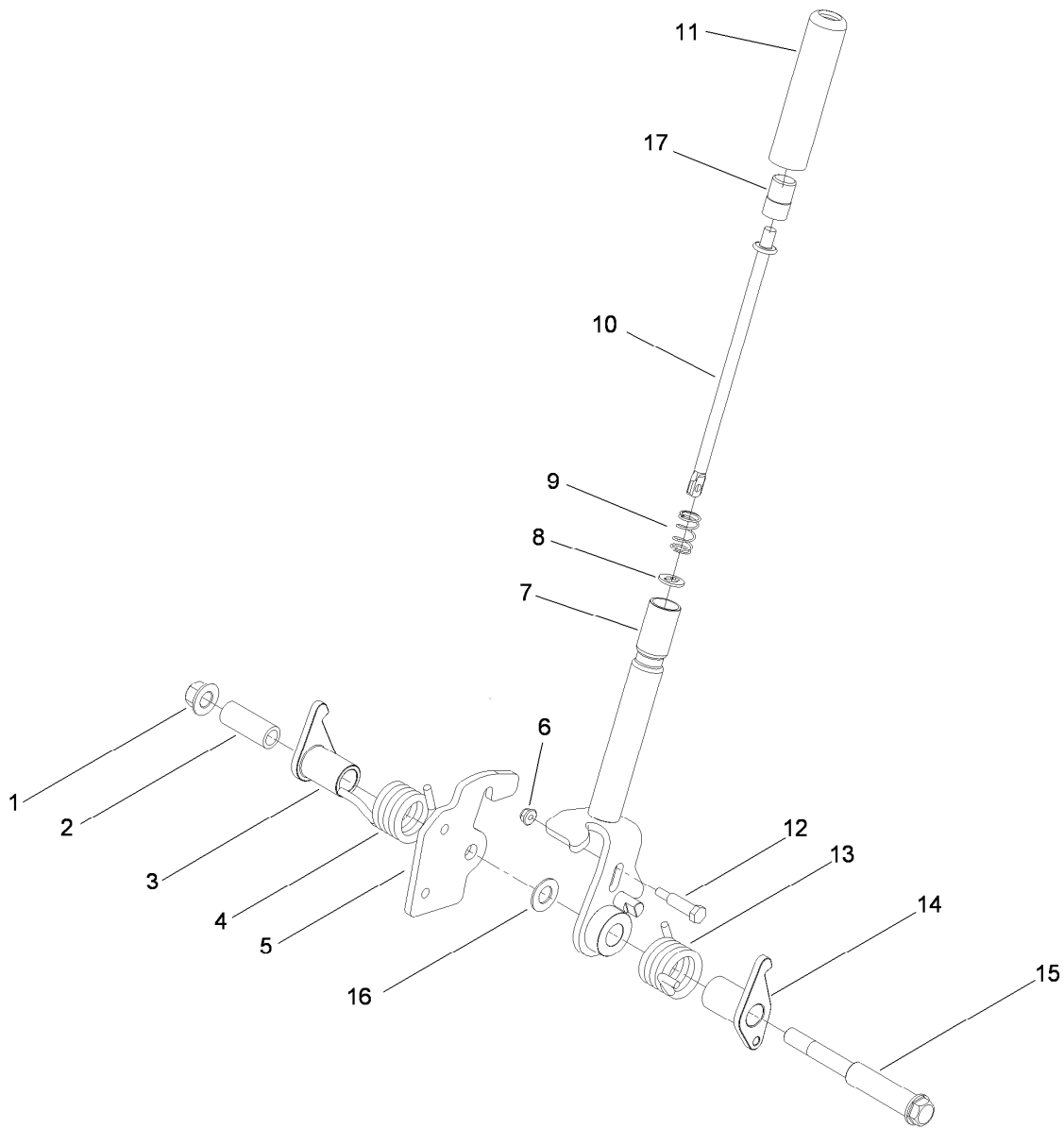
Ref.	Part Number	Qty.	Description	Ref.	Part Number	Qty.	Description
1	116-0880	1	RH Motion Control And Bushing ASM	19:1	109-5668	1	Grip,Control Lever
1:2	109-8054	4	Bushing-Flanged	20	109-6590	1	ASM,Steering Handle LH
2	116-0881	1	LH Motion Control And Bushing ASM	20:1	109-5668	1	Grip,Control Lever
2:2	109-8054	4	Bushing-Flanged	21	104-8301	4	Nut-Nyloc 3/8-16 Flg
3	116-0648	2	Screw-HH 5/16-18 X 1 W/Patch ●	22	323-7	4	Screw-HH 3/8-16 X 1 1/4
4	109-4581	2	Arm-Control, Pump	23	109-5575	2	Spring-Leaf
5	9080046	2	Screw-HH 1/4-20 X 7/8 ●	24	109-8106	2	Front Pump Linkage ASM
6	1-303435	2	Washer-Spring Disc 1/4	24:2	3219-2	2	Nut-Hex 5/16-24
7	116-0027	2	Damper-Control, Motion	24:3	1-323245	2	Spring-Compression
8	104-8300	8	Nut-Nyloc 5/16-18 Flg	24:4	1-633152	1	Balljoint
9	3230-2	2	Bolt-Carriage 5/16-18 X 1	24:5	1-543017	1	Balljoint
11	109-5891	2	Hub-Threaded	25	109-9505	4	Washer-Spring
12	325-12	2	Screw-HH 1/2-13 X 3	26	3256-6	2	Washer
16	116-0039	1	Lever-Control Motion, RH	27	32128-56	2	Nut-Hex 1/2-13 Flange
17	116-0040	1	Lever-Control Motion, LH	29	3256-23	2	Washer-5/16 Sae
19	109-6589	1	ASM,Steering Handle RH	30	3218-5	2	Nut-Jam 1/2-13
				31	115-1794	2	Screw-Hex Flange 5/16-18 X 1 1/2

● Use Pro-Lock, Nut Type (P/N 1-840022, .5ml tube) on threads.



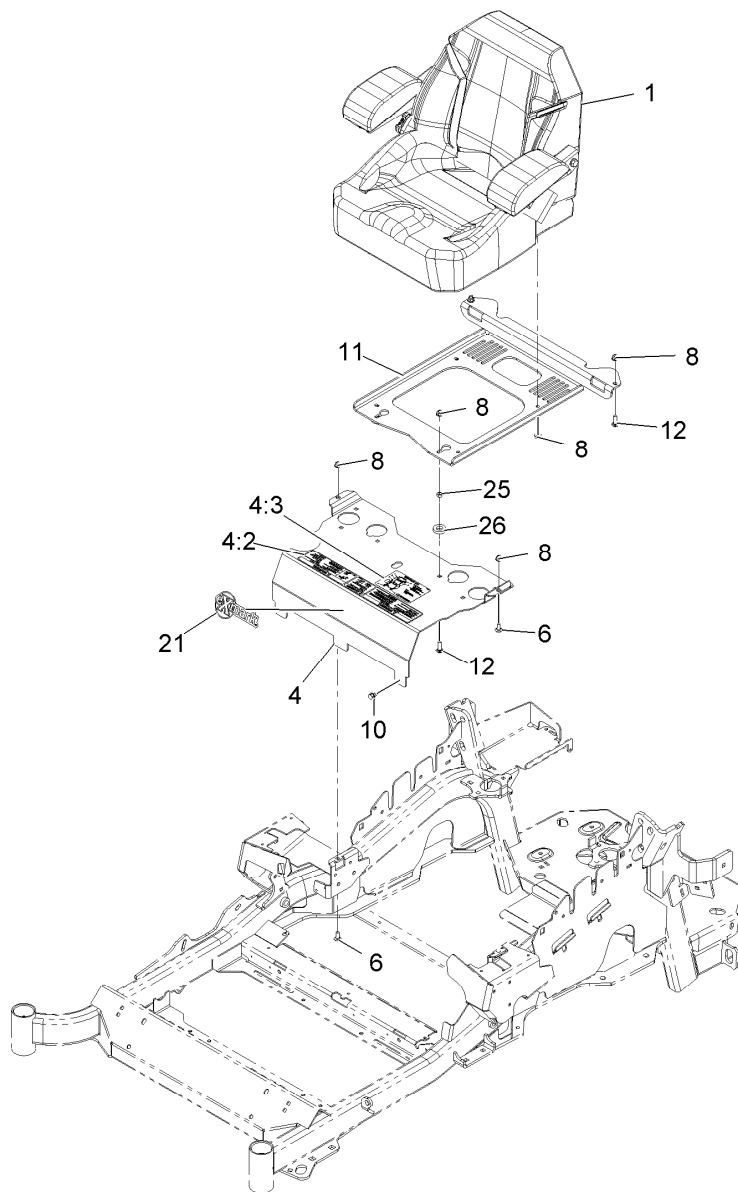
Rear Wheel and Park Brake Assembly

Ref.	Part Number	Qty.	Description	Ref.	Part Number	Qty.	Description
1	116-1878	1	Brake Handle ASM	10	109-0958	2	Plate-Mount, Brake
2	3230-2	2	Bolt-Carriage 5/16-18 X 1	11	92-5727	4	Screw-HH 3/8-16 X 1 1/4 Patch Lock
3	104-8300	2	Nut-Nyloc 5/16-18 Flg	12	112-8379	2	Swivel
4	60-1730	2	Pin-Clevis	13	104-7201	2	Nut-Nyloc 1/4-20 Flg
5	3272-1	2	Pin-Cotter 1/16 X 1/2	17	3296-13	2	Nut-Nyloc 1/4-28
6	116-1746	2	Wheel Hub ASM	18	116-2643	2	Decal-Wheel Nut Torque
6:2	116-1696	4	Stud-Wheel	19	115-3584	1	Cable
7	109-8972	2	Wheel And Tire ASM	20	115-3585	1	Cable
7:1	1-633993	1	Tire	22	116-1399	2	Locknut, Wheel Motor
7:2	109-3156	1	Rim ASM	24	3256-24	4	Washer-3/8 Sae
7:3	232-27	1	Stem-Valve	25	116-0940	1	Tie-Cable
8	242-50	8	Nut-Lug 1/2-20	26	3219-1	2	Nut-Hex 1/4-28
9	109-2889	2	Caliper-Brake				



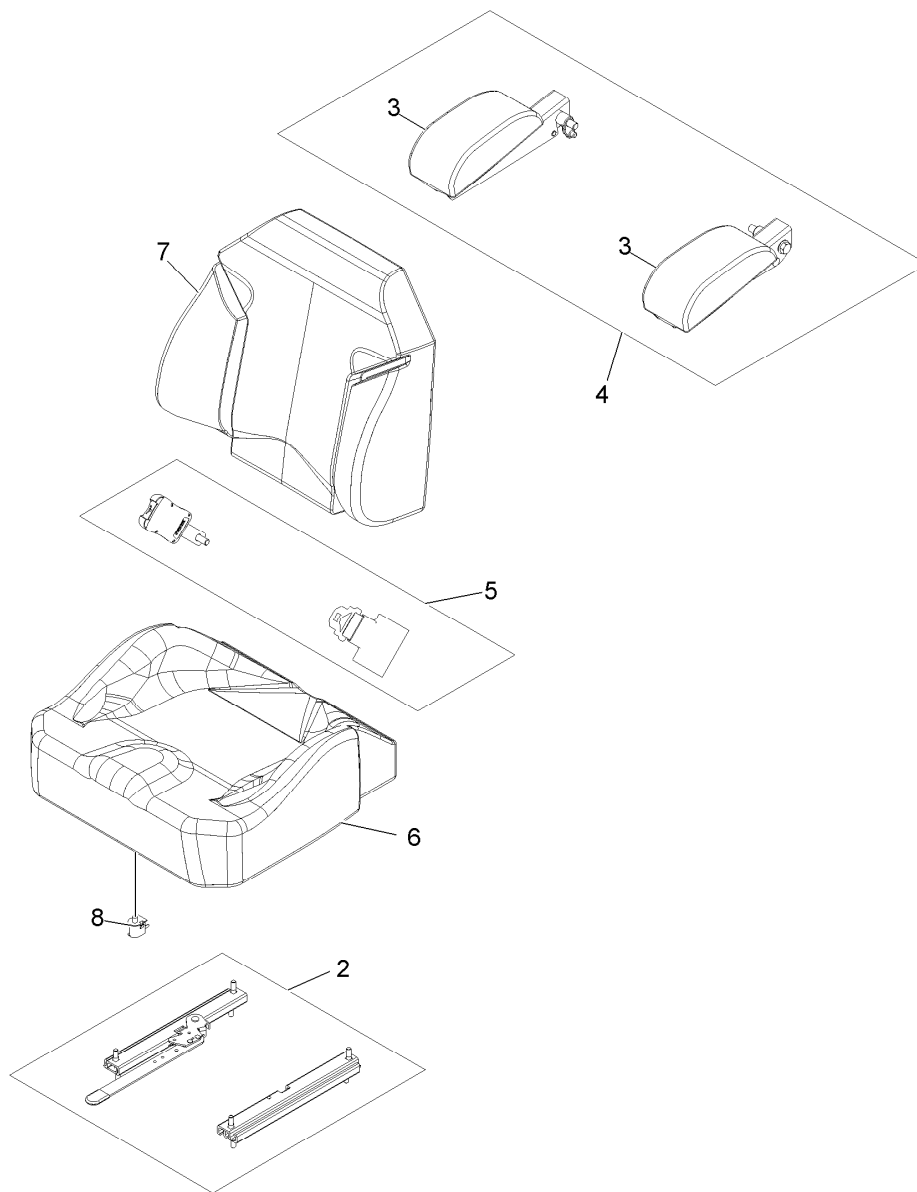
Brake Handle Assembly No. 116-1878

<i>Ref.</i>	<i>Part Number</i>	<i>Qty.</i>	<i>Description</i>	<i>Ref.</i>	<i>Part Number</i>	<i>Qty.</i>	<i>Description</i>
1	99-5107	1	Nut-Lock	10	115-3581	1	Rod-Release, Brake
2	117-0380	1	Spacer	11	115-3592	1	Grip
3	115-3580	1	Arm-Brake, LH	12	112-8387	1	Bolt-Shoulder
4	117-0376	1	Spring-Torsion, RH	13	117-0375	1	Spring-Torsion, LH
5	115-3574	1	Plate-Latch	14	115-3579	1	Arm-Brake, RH
6	104-7201	1	Nut-HF	15	117-0379	1	Bolt-Shoulder
7	116-1876-03	1	Brake Handle ASM	16	3256-26	1	Washer-Flat
8	114-1207	1	Washer-Special	17	115-2750	1	Knob
9	114-8187	1	Spring-Compression				



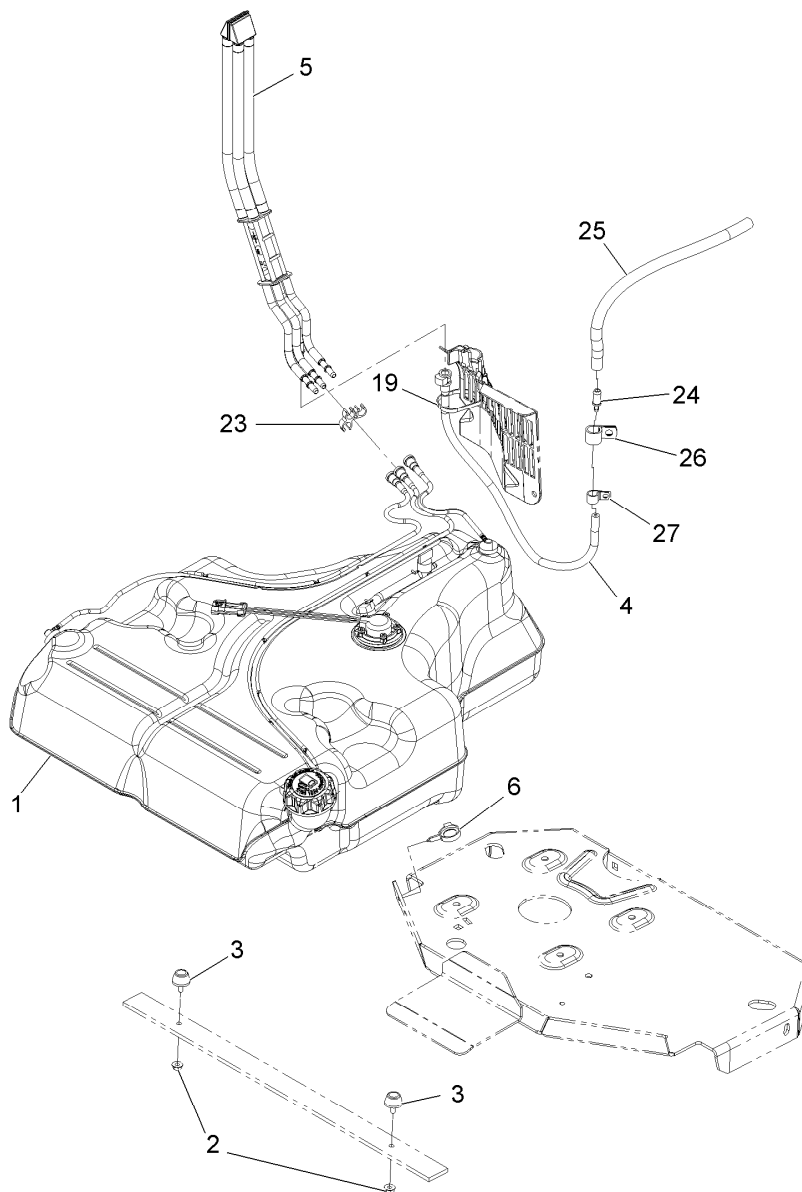
Seat Assembly

<i>Ref.</i>	<i>Part Number</i>	<i>Qty.</i>	<i>Description</i>
1	116-4474	1	Seat,Exmark Standard Service
4	116-2323	1	Mount-Seat
4:2	109-7069	1	Decal-Console
4:3	116-0211	1	Decal-Service Aid
6	3230-23	2	Bolt-Carriage 5/16-18 X 3/4 Short Neck
8	104-8300	10	Nut-Nyloc 5/16-18 Flg
10	9266934	2	Screw-HWH 5/16 X 1/2 Tf
11	116-0192-03	1	Plate,Seat Support As
12	3230-22	4	Bolt-Carriage 5/16-18 X 1 Sp
21	103-2883	1	Decal,Exmark Logo
25	3217-6	2	Nut-Hex 5/16-18
26	1-323539	2	Spacer-Blade Drive



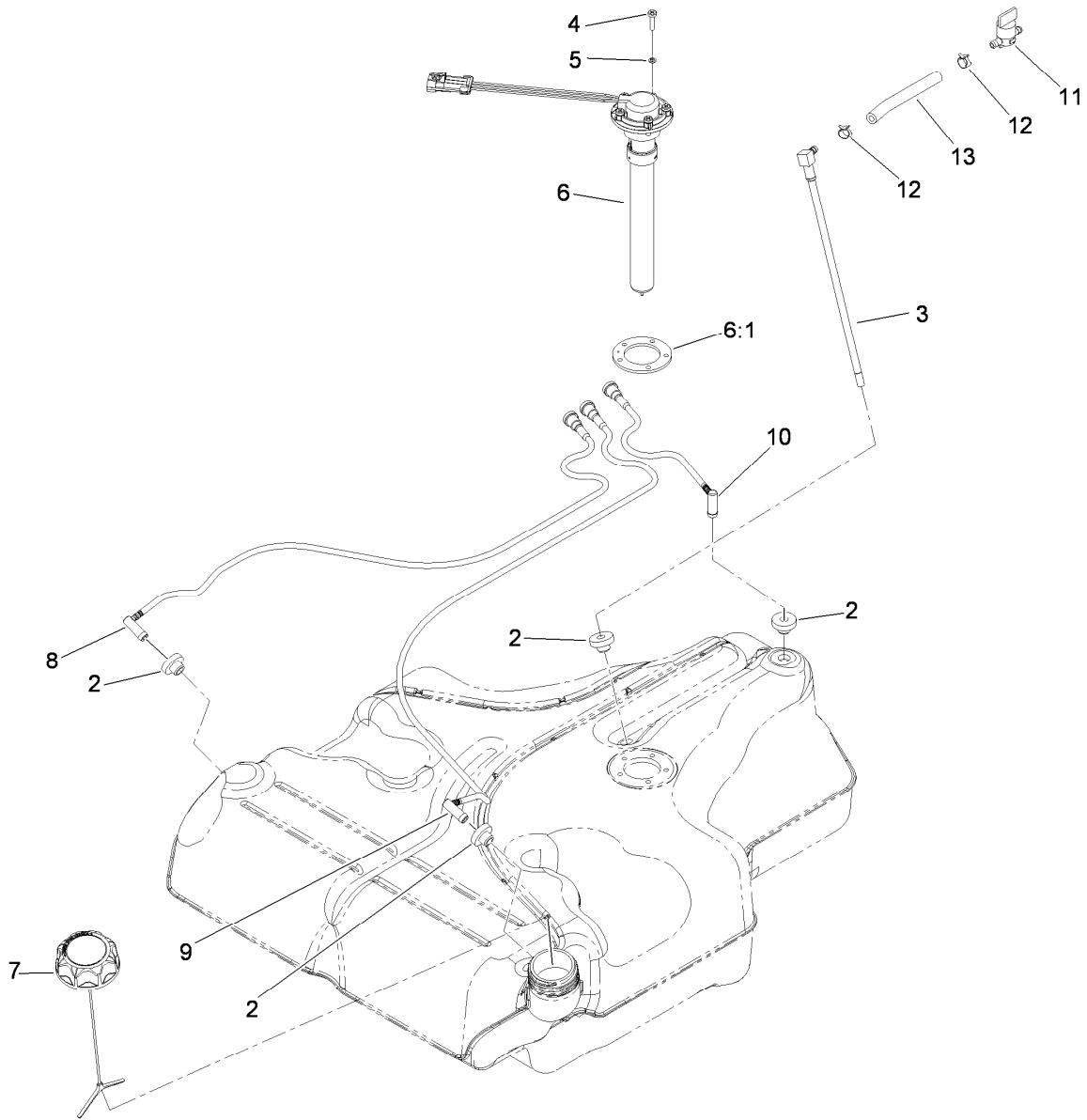
Seat W/Tracks Assembly No. 116-4474

<i>Ref.</i>	<i>Part Number</i>	<i>Qty.</i>	<i>Description</i>
2	109-9801	1	Seat Track Set
3	109-9802	1	Arm Rest Pad Set
4	109-9803	1	Arm Rest Set
5	109-9805	1	Seat Belt Kit
6	116-4925	1	Cover,Cushion
7	116-4926	1	Cover,Back
8	82-2190	1	Switch



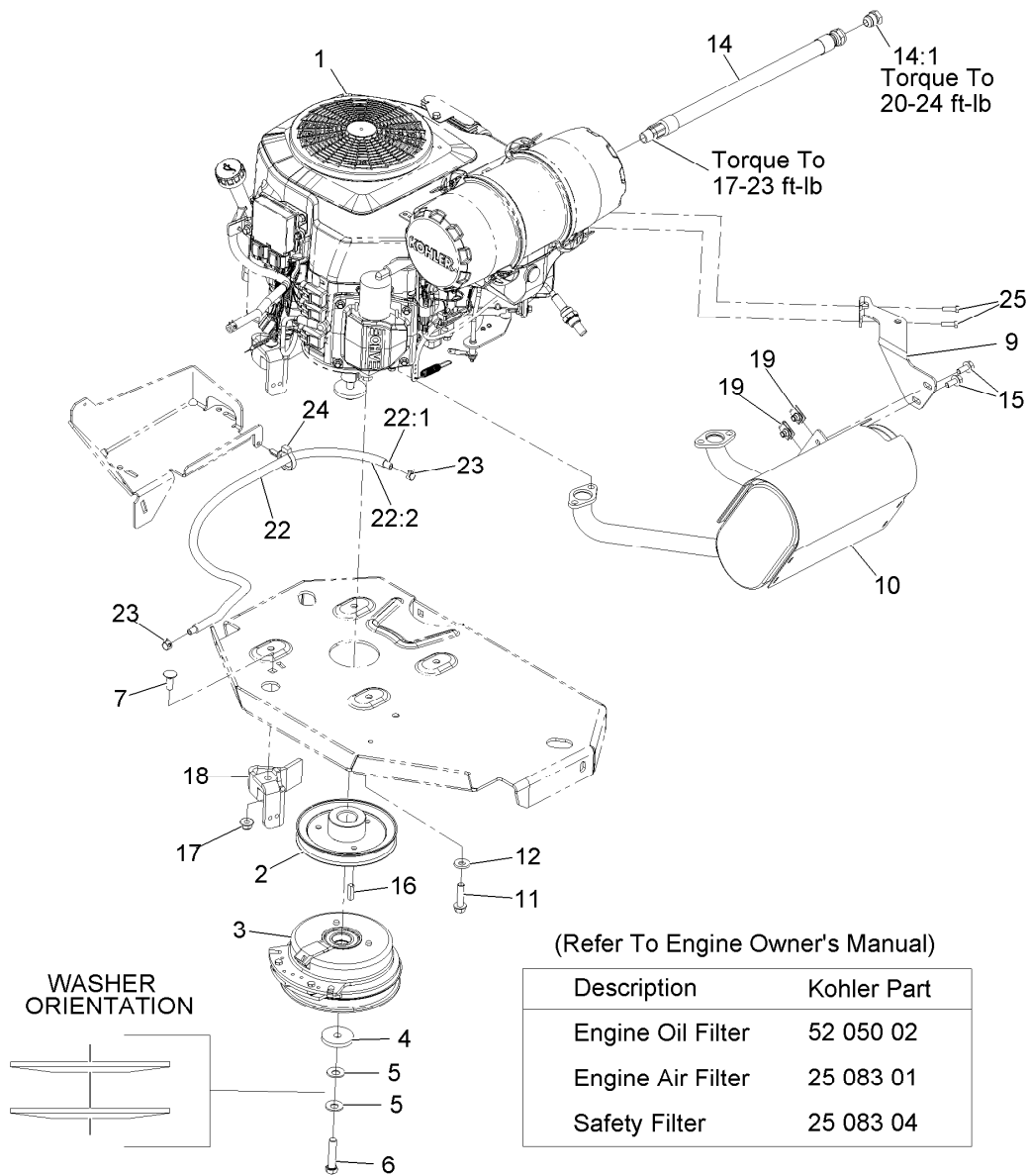
Fuel Tank Mounting Assembly

Ref.	Part Number	Qty.	Description
1	116-3979	1	Fuel Tank ASM
2	32128-33	2	Nut-Whizlock 1/4-20
3	109-2365	2	Rubber Bumper ASM (W/Stud)
4	116-3977	1	Hose ASM
5	109-9491	1	Fuel Manifold Vent ASM
6	105-1853	1	Clamp-Hose
19	1-303335	1	Tie-Cable 7 15/16 (Large)
23	116-3370	1	Clip-Spacer 1/2"
24	98-2952	1	Fitting-Straight
25	116-4344	1	Hose,Fuel
26	1-633396	1	Clip-Loom 5/8
27	1-513762	1	Clip-Loom 1/2



Fuel Tank Assembly No. 116-3979

Ref.	Part Number	Qty.	Description
2	46-6560	4	Bushing
3	116-2459	1	Fuel Line Kit (With Grommet)
4	9107944	5	Screw-Pan 10-24 X 3/4
5	3253-17	5	Washer-Lock 3/16
6	116-0003	1	Sender-Fuel Level
6:1	109-9620	1	Gasket-Sender, Fuel
7	116-1704	1	Cap-Fuel, Ratcheting
8	116-2460	1	RH Vent Line Kit (With Grommet)
9	116-2461	1	LH Vent Line Kit (With Grommet)
10	116-2462	1	Rear Vent Line Kit (With Grommet)
11	1-603770	1	Valve-Fuel
12	2412-98	2	Clamp-Hose
13	109-0650	1	Hose-Fuel



Engine Assembly

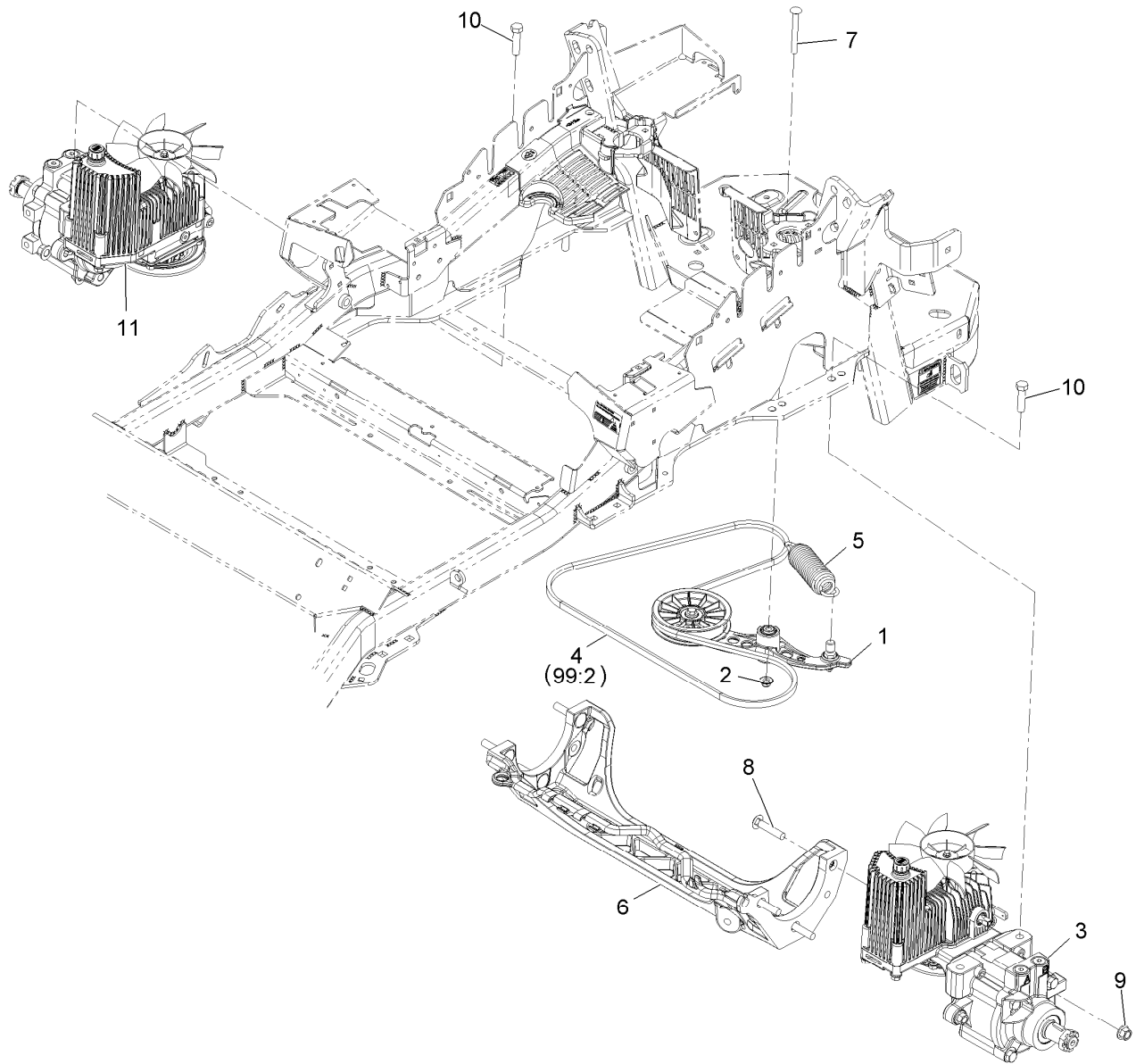
Ref.	Part Number	Qty.	Description
1		1	Engine,Koh 29Hp Efi ●■
2	109-9905	1	Sheave
3	116-1620	1	Clutch Kit
4	109-6919	1	Washer-Clutch
5	1-603610	2	Washer-Spring Disc 7/16
6	109-9762	1	Screw-HH 7/16-20 X 2 W/Loctite ▲
7	3231-22	1	Bolt-Carriage 3/8-16 X 1
9	116-4297	1	Kit,Koh Muffler Brkt
10	116-2038	1	Muffler
11	32144-102	4	Screw-HWH 3/8-16 X 1 1/2 Taptite
12	98-5975	4	Washer-Spring Disc 3/8
14	116-0013	1	Oil Drain Hose ASM

Ref.	Part Number	Qty.	Description
14:1	109-1012	1	Plug
15	3234-5	3	Screw-HH Flg 5/16-18 X 3/4
16	1-807259	1	Key-Machine 1/4 X 1/4 X 1
17	104-8301	1	Nut-Nyloc 3/8-16 Flg
18	116-2612-01	1	Clutch-Anchor
19	94-2413	3	U-Nut
22	117-3893	1	Fuel Line ASM
22:1	109-0307	1	Hose-Fuel
22:2	117-3892	1	Sleeve-Thermal
23	2412-98	2	Clamp-Hose
24	104-2490	1	Clamp-Hose
25	116-4295	2	Screw-HH M6-1 X 20Mm W/Patch

● Not serviced separately

▲ Use Pro-Lock, Nut Type (P/N 1-840022, .5ml tube) on threads.

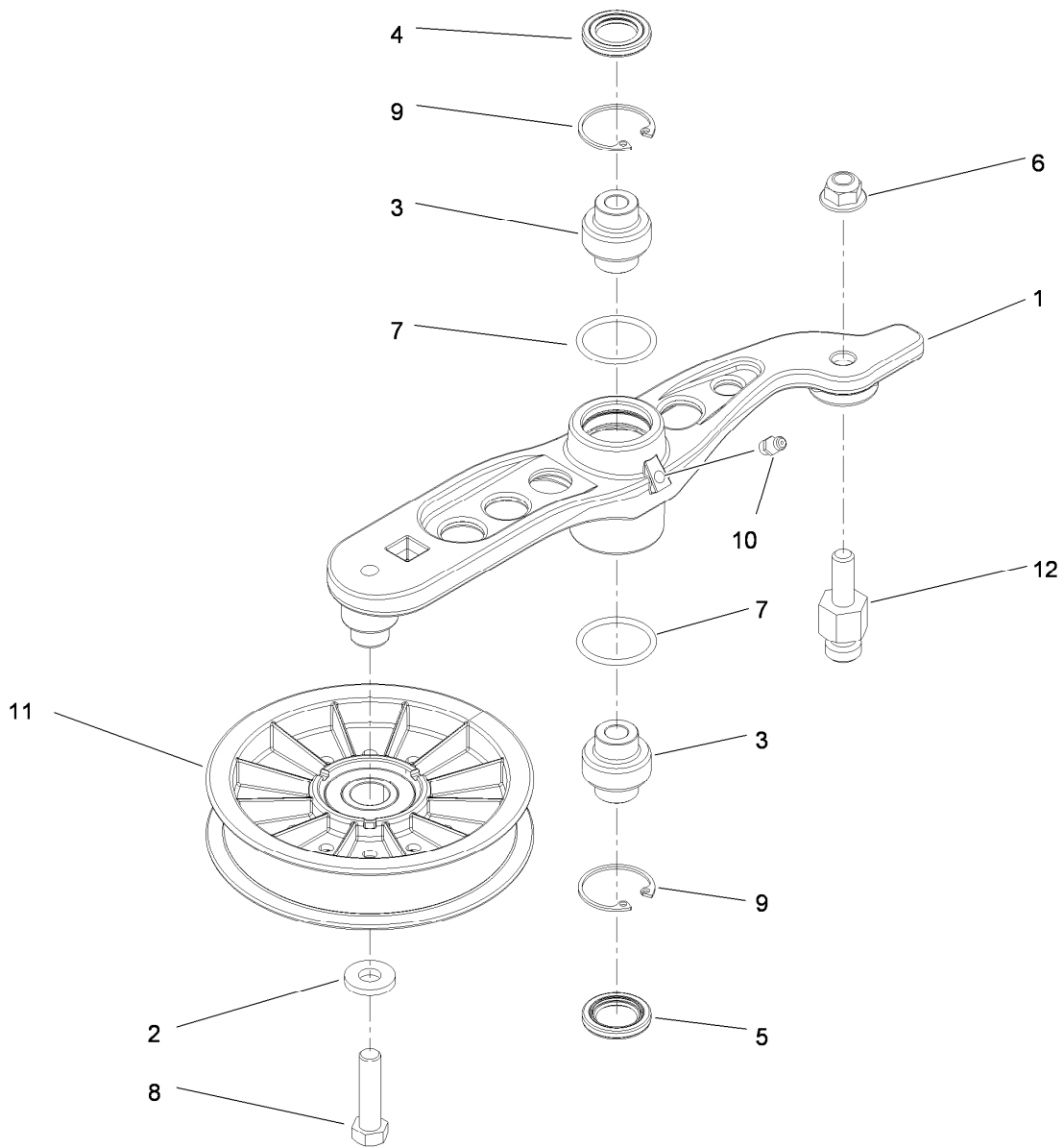
■ Obtain parts from www.kohlerplus.com



Hydraulic Assembly

Ref.	Part Number	Qty.	Description	Ref.	Part Number	Qty.	Description
1	116-1255	1	Pump Idler ASM	10	325-8	4	Screw-HH 1/2-13 X 1 1/4
2	109-6658	1	Nut-Nyloc 3/8-16 Flg	11	116-1325	1	RH Hydro ASM (12Cc W/Shock)
3	116-1324	1	LH Hydro ASM (12Cc W/Shock)	99	109-9828	1	Bottle-Oil, 32Oz Hydraulic ●
4	109-3388	1	Belt	99	116-0164	1	Filter-Hydro ●
5	116-0133	1	Extension-Spring	99	116-1218	1	Bottle,Oil 1 Gallon Hydraulic ●
6	109-9375	1	Cradle-Hydro	99	116-3270	1	Kit, Hydro Service ●
7	116-1502	1	Bolt-Carriage Shoulder 3/8-16 X 3 1/2	99:1	109-9828	4	Bottle-Oil, 32Oz Hydraulic ●
8	3233-34	6	Bolt-Carriage 1/2-13 X 2 1/2	99:2	109-3388	1	Belt
9	99-5107	6	Nut-Lock 1/2-13	99:3	116-0164	2	Filter-Hydro ●

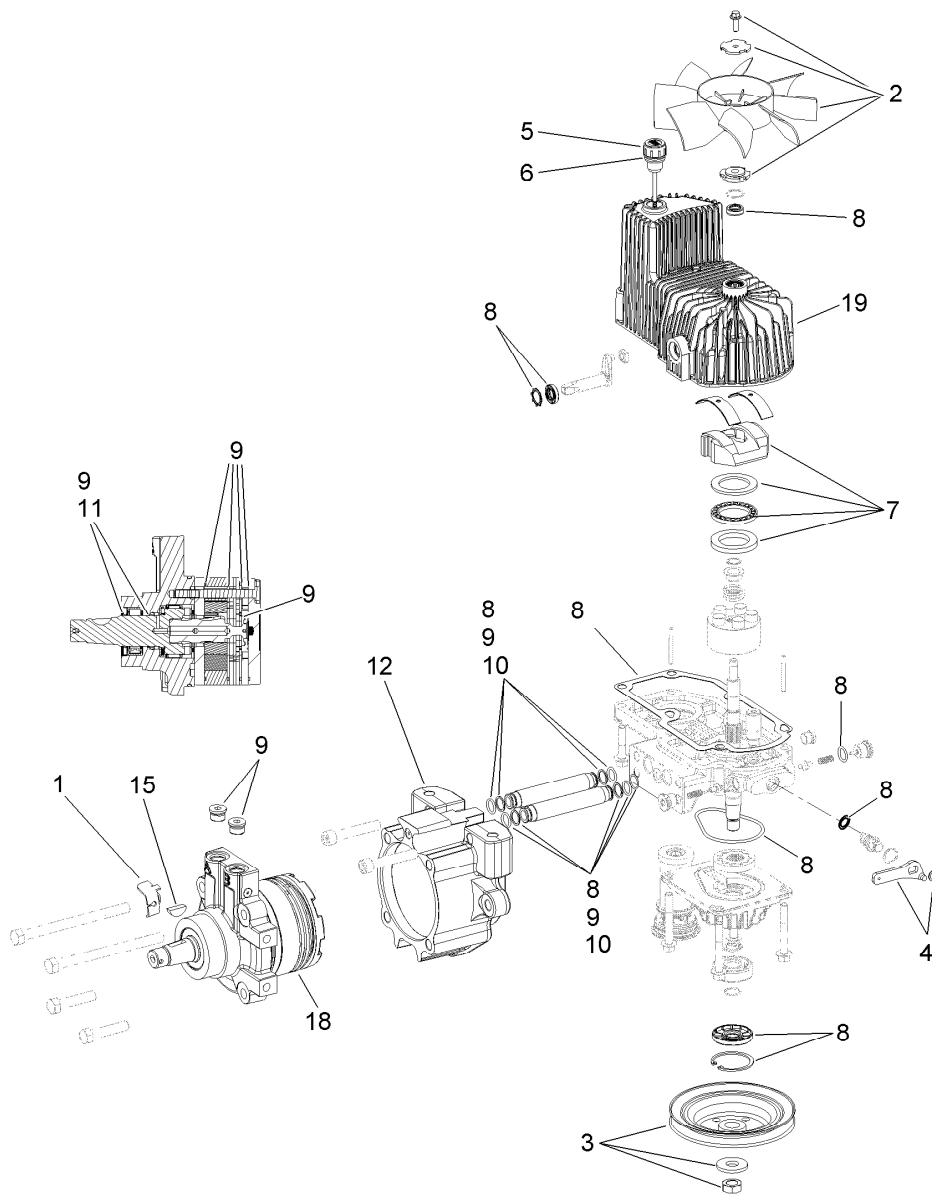
● Not illustrated



Pump Idler Assembly No. 116-1255

Ref.	Part Number	Qty.	Description
1		1	Arm-Pump, Idler ●
2	43-0940	1	Spacer-Hub, Blower
3	103-3504	2	Bearing-Spherical
4	103-3505	1	Seal-Double Lip
5	103-3506	1	Seal-Single Lip
6	109-6658	1	Nut-Nyloc 3/8-16 Flg
7	106-7159	2	O-Ring
8	323-8	1	Screw-HH 3/8-16 X 1 1/2
9	32120-10	2	Ring-Retaining
10	302-19	1	Zerk-1/4-28 Str
11	109-8076	1	Pulley-Idler
12	116-3467	1	Pin, Spring Anchor

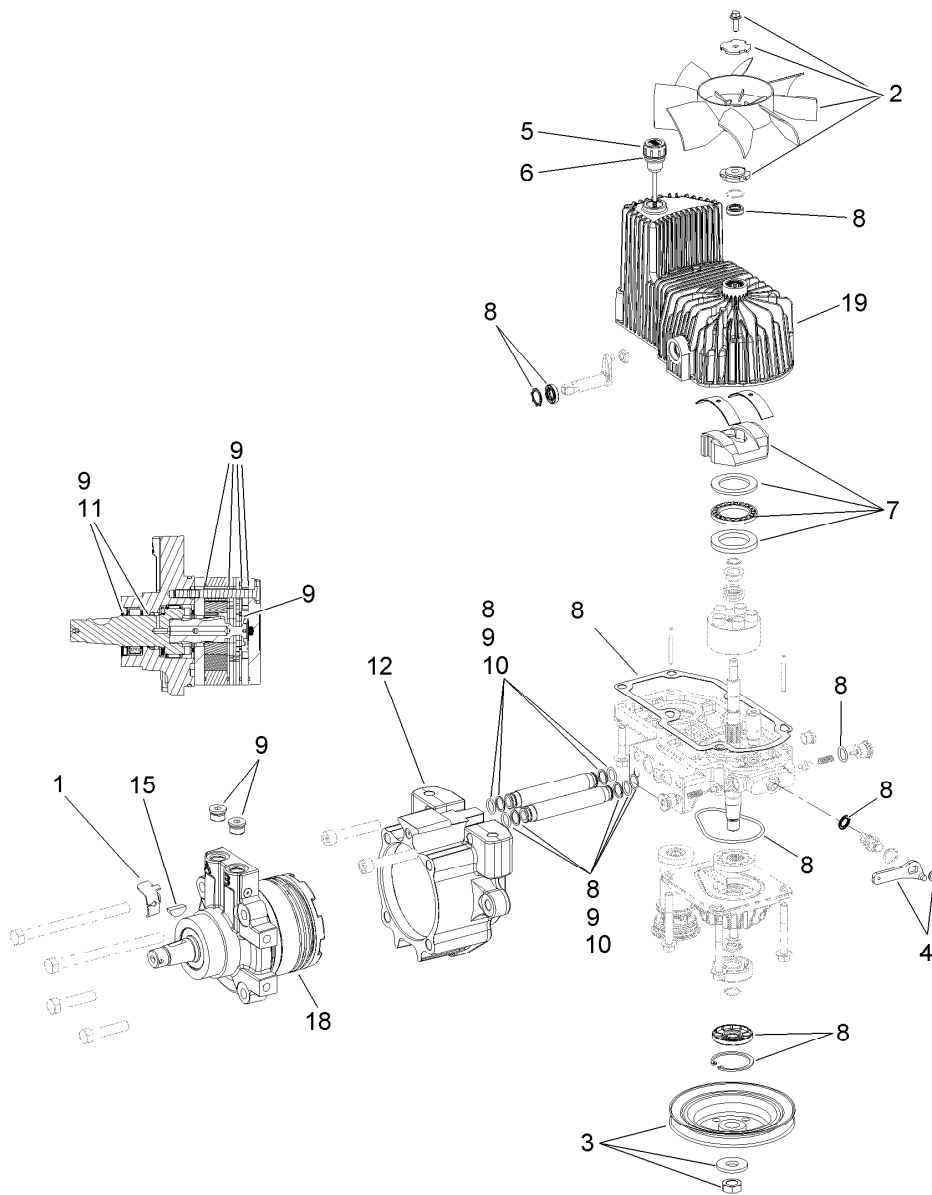
● Not serviced separately



LH Hydro Assembly No. 116-1324

Ref.	Part Number	Qty.	Description	Ref.	Part Number	Qty.	Description
1	116-1758	1	Bracket-Anchor, Cable	9	116-1369	1	Motor Seal Kit
2	116-0233	1	Fan Kit	10	116-1370	1	Tube Seal Kit
3	116-0234	1	Pulley Kit	11	116-1371	1	Output Shaft Seal Kit
4	116-0235	1	Handle-Bypass Valve, Hydro	12	116-2992	1	Cup-Nose Hydro Dry
5	116-0236	1	Dipstick-Hydro W/Gasket	15	3257-42	1	Key-Woodruff 5/16 X 1
6	116-0237	1	Gasket-Dipstick, Hydro	18	116-2988	1	Motor-Wheel LH Dry 240Cc
7	116-1367	1	Swash Block Kit	19	116-3287	1	Housing-LH
8	116-1368	1	Pump Seal Kit	99	116-1373	1	Flow Test Kit ●

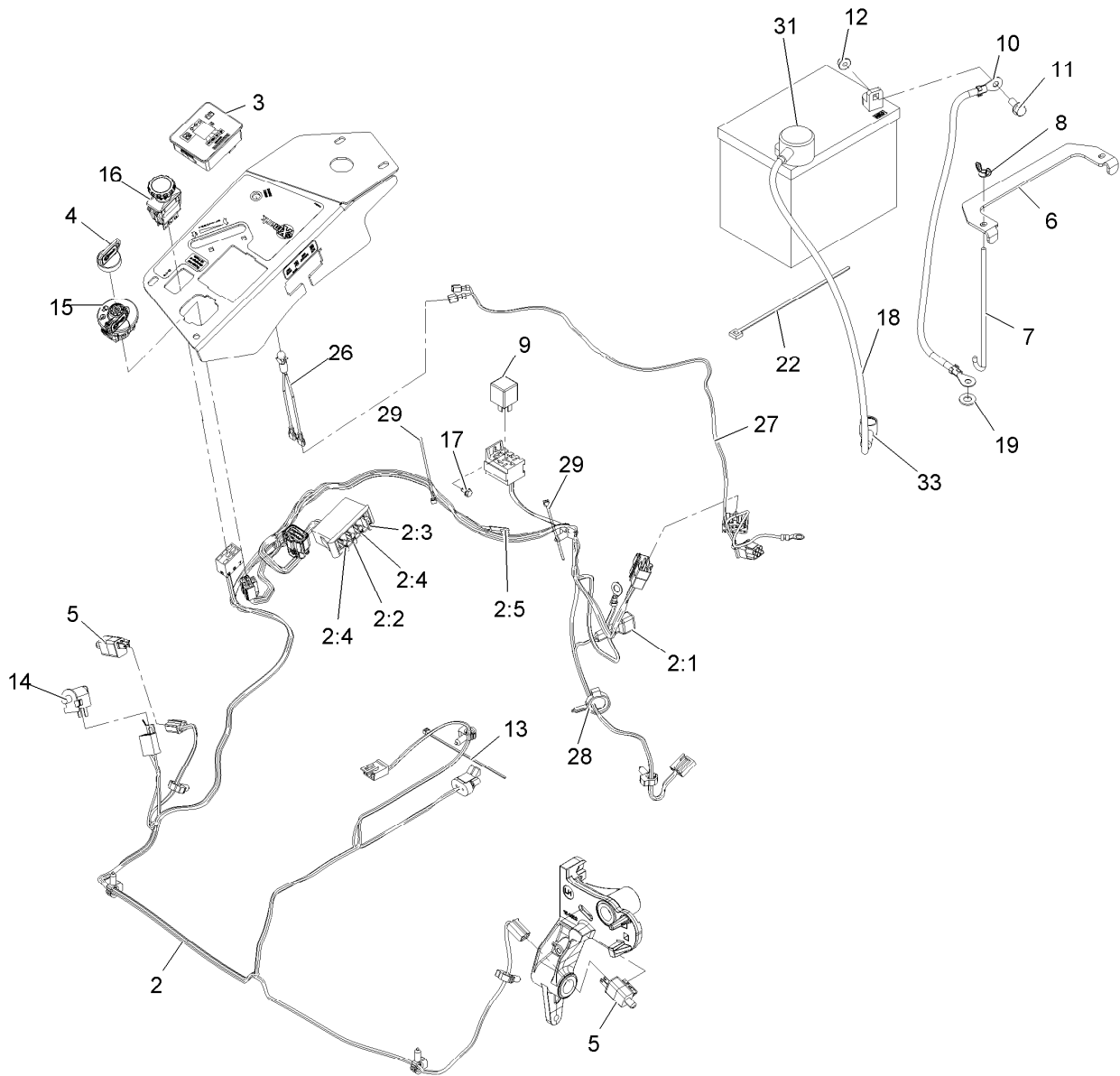
● Not illustrated



RH Hydro Assembly No. 116-1325

<i>Ref.</i>	<i>Part Number</i>	<i>Qty.</i>	<i>Description</i>	<i>Ref.</i>	<i>Part Number</i>	<i>Qty.</i>	<i>Description</i>
1	116-1758	1	Bracket-Anchor, Cable	9	116-1369	1	Motor Seal Kit
2	116-0233	1	Fan Kit	10	116-1370	1	Tube Seal Kit
3	116-0234	1	Pulley Kit	11	116-1371	1	Output Shaft Seal Kit
4	116-0235	1	Handle-Bypass Valve, Hydro	12	116-2992	1	Cup-Nose Hydro Dry
5	116-0236	1	Dipstick-Hydro W/Gasket	15	3257-42	1	Key-Woodruff 5/16 X 1
6	116-0237	1	Gasket-Dipstick, Hydro	18	116-2989	1	Motor-Wheel RH Dry 240Cc
7	116-1367	1	Swash Block Kit	19	116-3288	1	Housing-RH
8	116-1368	1	Pump Seal Kit	99	116-1373	1	Flow Test Kit ●

● Not illustrated



Electrical Assembly

Ref.	Part Number	Qty.	Description	Ref.	Part Number	Qty.	Description
2	115-2796	1	Harness-Wire, Main ●	12	104-8300	2	Nut-Nyloc 5/16-18 Flg
2:1	103-3895	1	Diode-Tvs	13	1-303287	3	Tie-Cable 5 1/2 (Small)
2:2	218-578	1	Fuse-Blade, 10 Amp	14	82-2190	1	Switch
2:3	109355	1	Fuse-Blade, 15 Amp	15	117-2221	1	Switch-Ignition
2:4	109102	2	Fuse-Blade, 25 Amp	16	116-0124	1	Switch-PTO, 10A
2:5	116-0053	1	Cap-Plug	17	104-2065	1	Screw-HWH #10-24 X 3/8
3	117-3882	1	Fuel/Hour Meter ASM	18	115-3864	1	Cable-Battery, Positive
4	1-603511	1	Key-Ignition	19	3256-24	1	Washer-3/8 Sae
4	103-2106	1	Key-Exmark Logo	22	1-303335	1	Tie-Cable 7 15/16 (Large)
5	110-6765	2	Switch-Single Pole No	26	1-643267	1	Indicator-Red Led
6	116-0042-03	1	Strap-Tie Down, Battery	27	116-3062	1	Harness-Indicator Light
7	1-633651	2	Bolt-Holddown	28	105-1853	1	Clamp-Hose
8	1-543792	2	Wingnut-Nyloc 1/4-20	29	1-303287	2	Tie-Cable 5 1/2 (Small)
9	1-643275	1	Relay-12Vdc 40 Amp	31	109-2407	1	Insulator-Battery
10	114-1218	1	Cable-Battery, Negative	33	1-543393	1	Insulator-Solenoid
11	3234-5	2	Screw-HH Flg 5/16-18 X 3/4				

● Use dielectric grease on all wiring harness connectors.

Notes:

Notes:

Notes:

EXMARK® MAINTENANCE

MAXIMIZE THE PERFORMANCE OF YOUR EXMARK.

4-CYCLE PREMIUM ENGINE OIL

Part No. 116-3373

Both SAE 30 and SAE 10W-30 in one bottle.

Contains increased levels of zinc and phosphorus for better lubricity.

No Viscosity Index Improvers that tend to shear down in high heat.

Synthetic formulation.

Gas & Diesel compatible.

Anti-corrosion additives.

API 'SL' and JASO rated with wet clutch compatibility for other machines.

PREMIUM HYDRO OIL

Part No. 109-9828

Commercial quality for tough, high-heat conditions.

Designed specifically for zero-turn mower hydraulic systems.

Superior shear resistance under heavy loads.



Available from your local Exmark dealer. Find your closest dealer at exmark.com

SEE EXMARK'S COMPLETE LINE OF ACCESSORIES AND OPTIONS

MID-MOUNT RIDING ACCESSORIES AND OPTIONS

CUSTOM RIDE SEAT SUSPENSION SYSTEM	OPERATOR CONTROLLED DISCHARGE
FULL SUSPENSION SEAT	ROLL OVER PROTECTION SYSTEM (ROPS)
DECK LIFT ASSIST KIT	SUN SHADE
HITCH KIT	TRASH CONTAINER
LIGHT KIT	TURF STRIPER
12V POWER PORT	ULTRA VAC COLLECTION SYSTEM
MICRO-MULCH SYSTEM	ULTRA VAC QUICK DISPOSAL SYSTEM

OUT-FRONT RIDING ACCESSORIES AND OPTIONS

CUSTOM RIDE SEAT SUSPENSION SYSTEM	SNOW BLADE
DUAL-TAIL WHEEL	SNOWBLOWER
FLOOR PAN EXTENDER	SUN SHADE
HITCH KIT	TRASH CONTAINER
LIGHT KIT	ULTRA VAC COLLECTION SYSTEM
MICRO-MULCH SYSTEM	ULTRA VAC QUICK DISPOSAL SYSTEM
ROLL OVER PROTECTION SYSTEM (ROPS)	WEATHER CAB

WALK-BEHIND ACCESSORIES AND OPTIONS

GRASS CATCHER	TURF STRIPER
MICRO-MULCH SYSTEM	STANDON

Place Model No. and Serial No.
Label Here (Included in the Literature
Pack) or Fill in Below

Model No. _____

Serial No. _____

Date Purchased _____

Engine Model No. and Spec. No. _____

Engine Serial No. (E/No) _____

© 2010 Exmark Mfg. Co., Inc.
Industrial Park Box 808
Beatrice, NE 68310
All Rights Reserved

Part No. 4500-811 Rev. A
(402) 223-6300
Fax (402) 223-5489
Printed in the USA.

